

Herrmann Equipment inc.

9220 Viking Place • Roseville, California 95747-9700 • (916) 783-9333
Bloomington, California 92316-3235 • (909) 877-5597

Proposal To: **County of El Dorado**
2441 Headington Road
Placerville, CA. 95667
(530)642-4900 Office
(530)642-9238 Fax

June 24, 2019

Proposal No. **062419-A**

For: **One New Carlson CP100 II Hot Mix Paver**

<u>Qty</u>	<u>Description</u>
1	Base Unit for 3 man Contractor deluxe CP100 II track paver , Including the following: A Cummins QSF 3.8 Turbocharged Tier IV Final , 100HP engine @ 2500 RPM. Direct Hydraulic Drive, 14" wide Polyurethane track pads. Hydraulic self-tensioning track system. 3/8" 500 Brinell floor plates, 13" diameter 7/8" 500 Brinell auger flights. Heavy duty 3.075" pitch offset link roller slat conveyor chain with 9-tooth slat chain drive sprockets. Heavy duty slats. 9 ton hopper with horizontal sliding damper doors with adjustable hardened guides, Sloped engine hood, Adjustable swing operator's control consoles with fingertip control functions. Digital gauge for hour meter, oil pressure, Engine RPM, DC voltmeter and fuel level, Coolant temp., Load @ RPM. High output light package, Citrus Washdown Tank, 2nd Hose reel, 8" Hydraulic tow points, Beacon light, and Umbrella. Conveyor and Auger Reverse Option.
1	Sonic Feed Control
1	EZCSS Screed: Hydraulic extendable electric screed 8' to 15', 14.4 kw generator, 3/8" Hardox 450 Brinell rated Screed bottoms, 2" chrome rods and adjustable slide track system, slide out walkway, spring loaded and electrically heated endgates, Power Crown (-1" to +2"), Power Slope, Power Extension Height, depth crank indicators, 12 volt aux. port, 2 Printed Operators Manuals, 1 Printed Service & 1 Printed Parts Manual, 1 CD-DVD Each Service & Parts Manuals
1	Topcon P32 Dual Grade & Slope

Herrmann Equipment inc.

9220 Viking Place • Roseville, California 95747-9700 • (916) 783-9333
Bloomington, California 92316-3235 • (909) 877-5597

Proposal To: **County of El Dorado**

Carlson CP100 II

Page 2 of 2

Proposal No: **062419-A**

TOTAL SELL PRICE F.O.B. County of El Dorado, CA.

**\$232,126.25
PLUS TAX**

When operated in California, any off-road diesel vehicle may be subject to the California Air Resources Board In-Use Off-Road Diesel Vehicle Regulation. It therefore could be subject to retrofit or accelerated turnover requirements to reduce emissions of air pollutants. For more information, please visit the California Air Resources Board website at <http://www.arb.ca.gov/msprog/ordiesel/ordiesel.htm>.

TERMS: Net due 30 day

WARRANTY: 1,000 hour or year whichever occurs first

Accepted by: **County of El Dorado**

Authorized

Signature: _____

Title: _____

Date _____

Accepted by: **Herrmann Equipment, inc.**

Authorized

Signature: _____

Title: _____

Date _____

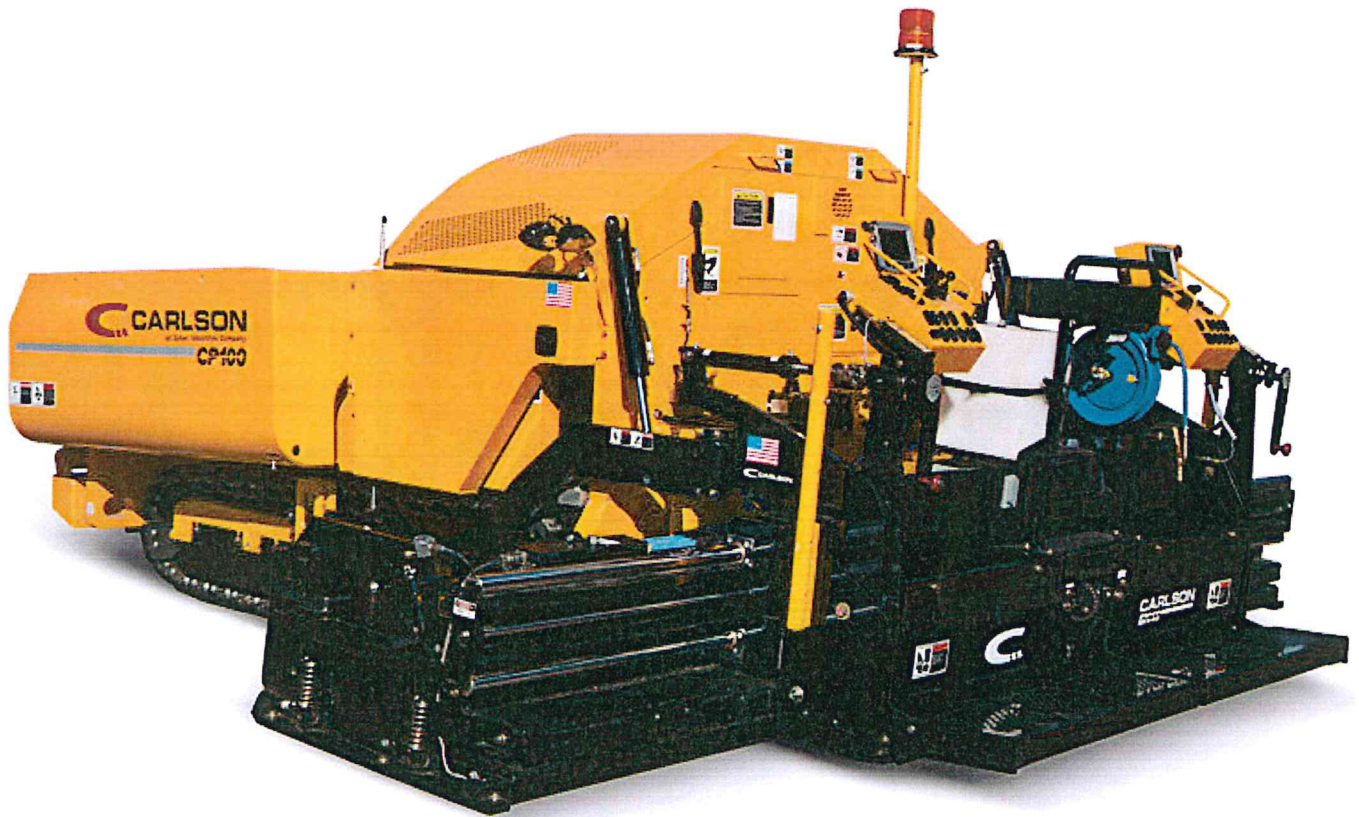


19-1013 G 2 of 10



CP100

COMMERCIAL CLASS PAVER



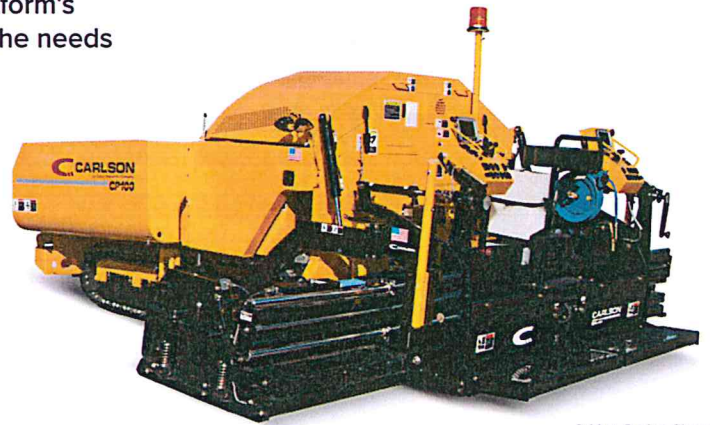
CP100 II

Engine	100hp (74kW) Cummins Tier IVf
Std. Width	8'-15' (2.43-4.59m)
Max Width	19-1013 G 3 of 10 17' (5.18m)
Weight	22,000 lbs (9979kg)

CP100 II COMMERCIAL PAVER

The new standard in commercial paver platforms. Introducing the all new Carlson CP100 II, the next generation of the CP100 platform. Combining heavy-duty build, operator-focused design and leading 8ft-15ft electrically heated screed, the CP100 II provided contractors a commercial platform unmatched in quality, performance and longevity.

From small to large-scale commercial paving projects, the CP100 II meets and exceeds the demands of contractors. The platform's versatility, along with its ability to be fully customized to the needs of the contractor, enables to the paver to be utilized in size restrictive areas, such as parking garages, while having the performance and contractor-focus for large-scale parking lot or municipal road applications. The CP100 II is able to do so with its all-new EZCSS screed, the heaviest-duty material distribution system in the commercial class, and a fully rebuildable platform with replaceable auger flights, bolt-on replaceable floor plates and one piece steel frame for the longer machine lifecycle.



2-Man Option Shown



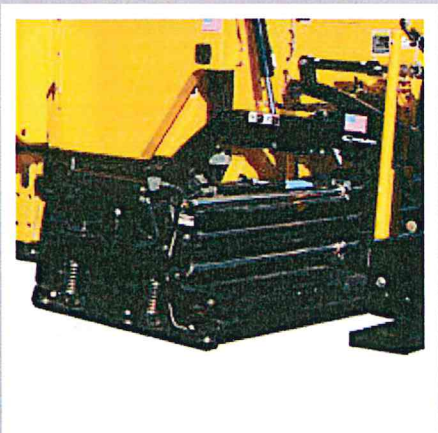
PERFORMANCE

The 100 hp (74kW) Cummins QSF 3.8 Tier IV Final engine provides responsive power, high torque and low noise for impressive jobsite performance. Coupled with the longest tracks in its class, highway-class wear components, and a fully rebuildable platform, the CP100 II delivers unmatched performance with longer machine lifecycle to commercial contractors.



CONTRACTOR FOCUS

The CP100 II features dual control stations with organized rocker switch placement and dual electric joystick steering for an ergonomic and intuitive platform. The full color, 7" LED touch screed displays at each console provide up to the second gauge information, while allowing full control of material flow rate, screed heat set points and more all at the contractor's fingertips.

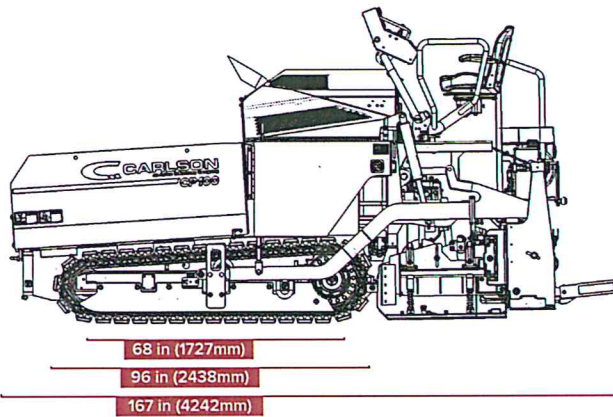


MAT QUALITY

With its single slide extension support system, adjustable slide blocks, 2% tapered design and spring loaded endgates, the EZCSS is a highway-class Carlson screed packaged for the commercial-class. Delivering best-in-class mat quality, the EZCSS can be optioned to the needs of the contractor, including power crown, power slope, power extension height, heated endgates and more.

3-Man Option Shown

94.5 in (2400mm)



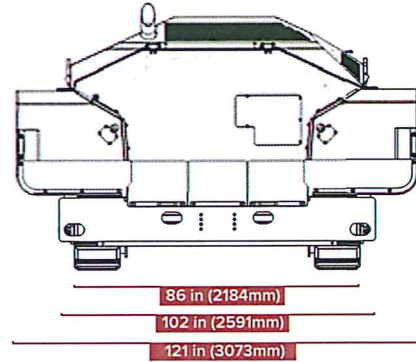
68 in (1727mm)

96 in (2438mm)

167 in (4242mm)

2-Man Option Shown

80 in (2032mm)



86 in (2184mm)

102 in (2591mm)

121 in (3073mm)

DIMENSIONS

Total Weight	22,000 lb (9979kg)
Tractor Weight	18,000 lb (8165kg)
Screed Weight	4,000 lb (1814kg)
Hopper Capacity	9 Tons (7.7 tonnes)
Hopper Inside Width Opening	10 ft (305cm)
Hopper Dump Clearance	21.25 in (540mm)
Load Angles	15° Forward/15° Reverse

ENGINE

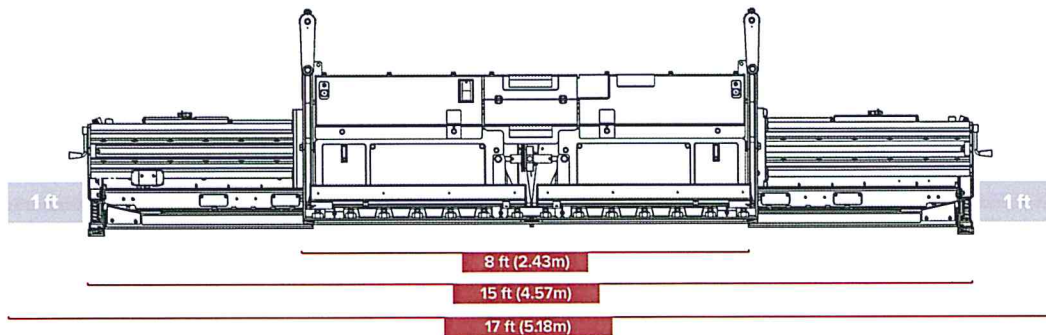
Engine	100hp (75kW) Cummins QSF 3.8
EPA/EU Emissions Standard	Tier IV Final/EU Stage IV
Drive System	2 Speed Planetary
Track Type (Standard)	14" (356mm) Poly-Pad
Max Pave Speed	155 fpm (47.2m/min)
Max. Travel Speed	255 fpm (78m/min)
Max. Reverse Speed	255 fpm (78m/min)

COMPONENTS

Floor Plate Thickness	3/8 in (9.5mm) 500 Brinell-rated
Conveyor Width	25.5 in (648mm)
Conveyor Speed	35 rpm
Damper Doors	Dual Horizontally Sliding
Auger Diameter	13 in (330mm)
Auger Flight Thickness	7/8 in (22mm) 500 Brinell-rated
Max. Auger Speed	105 rpm

CAPACITIES

Fuel Tank	32 gal (113.6L)
DEF Tank	5 gal (113.6L)
Hydraulic Tank	22 gal (170.3L)
Cooling System Capacity	7 gal (10.4L)
Washdown Tank	6 gal (37.9L)
Electrical System	12v w/ 80 amp Alternator
Generator	14.4kW Belt Driven



8 ft (2.43m)

15 ft (4.57m)

17 ft (5.18m)

EZCSS SCREED

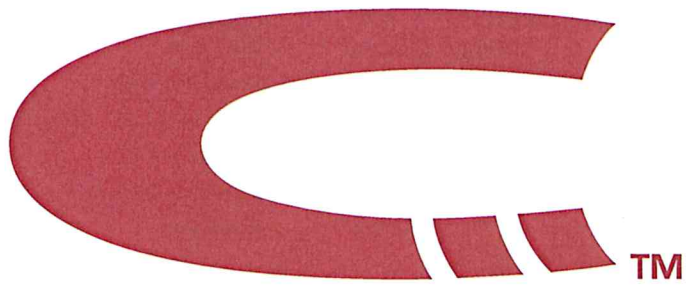
Standard Paving Width	8 ft-15 ft (2.43-4.57m)
Max. Paving Width	17 ft (5.18m)
Paving Depth (Min/Max)	.25-8 in (6mm-203mm)
Main Plate Depth	16 in (406mm) Center 14 in (356mm) Edge
Main Plate Thickness	3/8 in (9.5mm) 450 Brinell Rated
Extension Plate Depth	8 in (203mm)
Extension Plate Thickness	3/8 in (9.5mm) 450 Brinell Rated

Screed Heat Source	Electric Heating Elements
Endgates	Spring Loaded
Crown Adjustment	Manual Adjustment (Power Option)
Crown/Invert	3 in (76mm) / 1 in (25mm)
Extension Height Adjustment	Manual Adjustment (Power Option)
Extension Height Travel	1.75 in (44.45mm)
Power Slope Adjustment*	9% Down
Vibration	0-3000 vpm

*OPTIONAL EQUIPMENT

01-0417

CP100™



CARLSONPAVINGPRODUCTS.COM

Continually Improving our products, Carlson reserves the right to amend materials, available options and specifications without notice. Features machines and photos include optional or prototype equipment. 2017 Carlson.



Bid Vehicle : DOT MAINTENANCE & OPERATIONS DIVISION

Quantity: 1		Description: New 2019-2020 CARLSON CP100-II ASPHALT PAVING MACHINE	Class: 58	
Year/Make/Model:			Unit Price:	
Standard Warranty:			Delivery: # Days after receipt of order	
COMPONENT		SPECIFICATIONS	Y/N	Exceptions
1	Engine	CUMMINS QSF3.8 TIER 4F DIESEL		
2	Track System	TRACK W/7 BOGEYS, RETURN IDLER, LARGE PLANETARY DRIVES, 14" WIDE POLY-PAD TRACKS, HYDRAULICALLY SELF-TENSIONING AND ROCK GUARDS		
3	Class/Configuration	COMMERCIAL HIGHWAY, LOW-DECK, 2-3 MAN OPERATION WITH REMOVAVBLE OPERATOR SEATS AND CONTROLS RELOCATEABLE TO STANDING OPERATOR POSITIONS		
4	Screed	8' – 15' STANDARD, ELECTRICALLY HEATED W/REPLACEABLE COMPONENTS AND BOLT-ON FLOOR PLATES. EXCSS CARLSON SINGLE-SLIDE WITH 2% TAPER, 16" DEEP MAIN SCREED W/8" DEEP EXTENSION PLATES OF 3/8" THICK – 450 BRINELL RATED HARDNESS STEEL		
4a	Power Slope	POWER SLOPE OPTION REQUIRED		
4b	Power Extension	POWER EXTENSION HEIGHT OPTION REQUIRED		
4c	Power Crown	POWER CROWN OPTIION REQUIRED		
4d	Heated End-gate	HEATED ENDGATE OPTION REQUIRED		
4e	Slide Out Ext.	SLIDE OUT WALKWAY EXTENSION OPTION REQUIRED		
4f	Depth Gauge	DEPTH CRANK INDICATOR GAUGE		
5	Ground Drive	HYDRAULIC 2 SPEED PLANETARY		
6	Operation Controls	DUAL CONTROL STATIONS, ELECTRIC-OVER-HYDRAULIC STEERING LEVERS, 7" TOUCH SCREEN DISPLAY AND WIRED REMOTES W/PUSH BUTTON CONTROL, MAIN PANELS LEFT & RIGHT SIDES W/ HEAVY DUTY ROCKER SWITCHES AND MARKINGS.		
7	Automation (Dual Grade/Slope Leveling)	TOPCON BRAND CONTROL SYSTEMS REQUIRED, NO SUBSTITUTIONS WILL BE CONSIDERD		
8	Hopper/Conveyor/Auger	HOPPER TO BE 9.5 TON CONSTRUCTED OF ½" STEEL WITH HEAVY DUTY HYDRAULIC CYLINDERS. CONVEYOR TO BE HEAVY DUTY CONSTRUCTION STEEL WITH EASY CLEAN DESIGN AND HEAVY DUTY CHAIN AND SPROCKET		

		CONSTRUCTION		
8a	Auger/Conv Rev.	AUGER-CONVEYOR REVERSE OPTION REQUIRED		
8b	Damper Doors	DUAL HORIZONTAL SLIDING DAMPER DOORS WITH INFINITE ADJUSTMENT REQUIRED		
8c	Augers	REPLACEABLE 13" 500 BRINEL-RATED STEEL AUGER FLIGHTS WITH HEAVY DUTY SEALED BEARINGS		
9	Lighting	HIGH OUTPUT LED LIGHTING SYSTEMS REQUIRED, BEACON WARNING LIGHT		
10	Operators Stations	DUAL STATION SEATS WITH SAFETY BELTS AND SECURE LOCK REMOVABLE PEDISTALS, SHADE UMBRELLAS FOR BOTH STATIONS		
11	Wash Down	CITRUS WASHDOWN TANK WITH SECOND HOSE REEL		
12	Tow Hitch	HYDRAULIC TOW POINT WITH RECESSED CLEARANCE		
13	Manuals	QTY OF 2 PRINTED OPERATORS MANUALS, 1 PRINTED SERVICE AND 1 PRINTED PARTS MANUAL, 1 CD-DVD EACH SERVICE AND PARTS MANUALS		
14	Warranty	MINIMUM 12 MONTH OR 1000 HOUR FULL-MACHINE WARRANTY REQUIRED AND INCLUDE ON-SITE REPAIRS BY AWARDED VENDOR FIELD SERVICE WHEN POSSIBLE		
15	Extended Warranties	PLEASE QUOTE HERE ANY OPTIONS FOR EXTENDED WARRANTIES AVAILABLE, BUT DO NOT INCLUDE IN MACHINE SALES PRICING: OPTIIONAL COVERAGE: PRICE:		
16				
17				
18				
19				
20				
21				
22				
23				
24				
25				
26				
27				
28				
29				
30				

ADDITIONAL FEATURES:



Shanann Findley <shanann.findley@edcgov.us>

[td-all-m] Out of Office June 24 - 28, 2019

1 message

Rafael Martinez <rafael.martinez@edcgov.us>

Mon, Jun 24, 2019 at 8:04 AM

To: td-all-m@edcgov.us, Donald Ashton <don.ashton@edcgov.us>, Joe Harn <joe.harn@edcgov.us>

Cc: Cindy Munt <cindy.munt@edcgov.us>, Elaine Gelber <elaine.gelber@edcgov.us>, Kathy Witherow

<kathy.witherow@edcgov.us>, Marcie MacFarland <marcie.macfarland@edcgov.us>, Karen Feathers

<karen.feathers@edcgov.us>, Jennifer Franich <jennifer.franich@edcgov.us>, Shelley Wiley <shelley.wiley@edcgov.us>,

Kathy Flessing <kathy.flessing@edcgov.us>, Becky Morton <becky.morton@edcgov.us>

Hello,

I will be out of the office June 24 - June 28, 2019. During my absence, I am delegating signature authority to Matt Smeltzer, Deputy Director. If you need immediate assistance, please contact Transportation at 530-621-5900 or

road.maintenance@edcgov.us.**Rafael Martinez**

Director

County of El Dorado

Department of Transportation

2850 Fairlane Court

Placerville, CA 95667

(530) 621-7533 / FAX (530) 626-0387

rafael.martinez@edcgov.us

