



COMMUNITY DEVELOPMENT SERVICES

DEPARTMENT OF TRANSPORTATION

<http://www.edcgov.us/DOT/>

PLACERVILLE OFFICES:

MAIN OFFICE:

2850 Fairlane Court, Placerville, CA 95667
(530) 621-5900 / (530) 626-0387 Fax

CONSTRUCTION & MAINTENANCE:

2441 Headington Road, Placerville, CA 95667
(530) 642-4909 / (530) 642-0508 Fax

LAKE TAHOE OFFICES:

ENGINEERING:

924 B Emerald Bay Road, South Lake Tahoe, CA 96150
(530) 573-7900 / (530) 541-7049 Fax

MAINTENANCE:

1121 Shakori Drive, South Lake Tahoe, CA 96150
(530) 573-3180 / (530) 577-8402 Fax

DATE: April 3, 2019

TO: All Prospective Bidders

SUBJECT: Addendum No. 1
El Dorado Trail Extension- Missouri Flat Road to El Dorado, Contract No. 2778,
CIP No. 97014

Submit proposals for this work with the understanding and full consideration of this Addendum. The revisions declared in this Addendum are essential parts of the Contract.

ITEM NO.	LOCATION, PAGE, OR DRAWING NO.	DESCRIPTION OF CHANGE
1.01	SP-1	Bidders are instructed to replace page SP-1 with the attached SP-1 REV.
1.02	§14-1.02	Bidders are instructed to delete the 1st, 2nd, 3rd, and 4th paragraphs added in the special provisions to section 14-1.02.
1.03	§14-12.04	Bidders are instructed to add the following to the special provisions: Replace section 14-12.04 with: Reserved
1.04	§51	Bidders are instructed to add the following to the special provisions: Add the following after Section 47: 51 CONCRETE STRUCTURES Replace the 2nd paragraph of section 51-7.01D with: Metal frames and covers or frames and grates are included in the payment for Drainage Inlet (Type G1).

ITEM NO.	LOCATION, PAGE, OR DRAWING NO.	DESCRIPTION OF CHANGE
1.05	C-11 through C-13	Bidders are instructed to Replace pages C-11 through C-13 of the Agreement with the attached pages C-11 REV through C-13 REV.
1.06	P-3 through P-5	Bidders are instructed to Replace pages P-3 through P-5 of the Proposal with the attached pages P-3 REV through P-5 REV.
1.07	Plan Sheet X-1	Bidders are instructed to Replace plan sheet X-1 with the attached plan sheet X-1.
1.08	Plan Sheet X-2	Bidders are instructed to Replace plan sheet X-2 with the attached plan sheet X-2.
1.09	Plan Sheet X-3	Bidders are instructed to Replace plan sheet X-3 with the attached plan sheet X-3.
1.10	Plan Sheet X-4	Bidders are instructed to Replace plan sheet X-4 with the attached plan sheet X-4.
1.11	Plan Sheet L-1	Bidders are instructed to Replace plan sheet L-1 with the attached plan sheet L-1.
1.12	Plan Sheet L-9	Bidders are instructed to Replace plan sheet L-9 with the attached plan sheet L-9.
1.13	Plan Sheet L-15	Bidders are instructed to Replace plan sheet L-15 with the attached plan sheet L-15.
1.14	Plan Sheet L-19	Bidders are instructed to Replace plan sheet L-19 with the attached plan sheet L-19.
1.15	Plan Sheet C-1	Bidders are instructed to Replace plan sheet C-1 with the attached plan sheet C-1.
1.16	Plan Sheet C-2	Bidders are instructed to Replace plan sheet C-2 with the attached plan sheet C-2.
1.17	Plan Sheet C-3	Bidders are instructed to Replace plan sheet C-3 with the attached plan sheet C-3.
1.18	Plan Sheet C-4	Bidders are instructed to Replace plan sheet C-4 with the attached plan sheet C-4.
1.19	Plan Sheet D-12	Bidders are instructed to Replace plan sheet D-12 with the attached plan sheet D-12.

ITEM NO.	LOCATION, PAGE, OR DRAWING NO.	DESCRIPTION OF CHANGE
1.20	Plan Sheet SPD-1	Bidders are instructed to Replace plan sheet SPD-1 with the attached plan sheet SPD-1.
1.21	Plan Sheet SPD-2	Bidders are instructed to Replace plan sheet SPD-2 with the attached plan sheet SPD-2.
1.22	Plan Sheet SPD-5	Bidders are instructed to Replace plan sheet SPD-5 with the attached plan sheet SPD-5.
1.23	Plan Sheet SPD-7	Bidders are instructed to Replace plan sheet SPD-7 with the attached plan sheet SPD-7.
1.24	Plan Sheet SPD-11	Bidders are instructed to Replace plan sheet SPD-11 with the attached plan sheet SPD-11.
1.25	Plan Sheet SPD-12	Bidders are instructed to Replace plan sheet SPD-12 with the attached plan sheet SPD-12.
1.26	Plan Sheet SPD-14	Bidders are instructed to Replace plan sheet SPD-14 with the attached plan sheet SPD-14.
1.27	Plan Sheet EC-1	Bidders are instructed to Replace plan sheet EC-1 with the attached plan sheet EC-1.
1.28	Plan Sheet EC-2	Bidders are instructed to Replace plan sheet EC-2 with the attached plan sheet EC-2.
1.29	Plan Sheet EC-6	Bidders are instructed to Replace plan sheet EC-6 with the attached plan sheet EC-6.
1.30	Plan Sheet EC-7	Bidders are instructed to Replace plan sheet EC-7 with the attached plan sheet EC-7.
1.31	Plan Sheet EC-9	Bidders are instructed to Replace plan sheet EC-9 with the attached plan sheet EC-9.
1.32	Plan Sheet EC-10	Bidders are instructed to Replace plan sheet EC-10 with the attached plan sheet EC-10.

Indicate receipt of this Addendum by filling in the number of this Addendum in the space provided on the signature page of the Proposal. Holders who have already mailed their Proposal can contact Jennifer Rimoldi at 530-621-7592 (email: jennifer.rimoldi@edcgov.us) to arrange return of their Proposal. Inform all suppliers and subcontractors as necessary.

The Community Development Services, Department of Transportation is only sending this addendum by posting on QuestCDN's website at: <https://www.questcdn.com/>. If you are not a Contract Documents holder, but request a set of documents to bid on this Project, you must comply with the requirements of this Addendum when submitting your bid.



Recommended by:
Matt Smeltzer, Deputy Director,
Fairlane Engineering Unit

4/3/19
Date



Approved by:
Rafael Martinez, Director
Department of Transportation

4/3/19
Date

End of Addendum No. 1

DIVISION I GENERAL PROVISIONS

1 GENERAL

Add to section 1-1.01:

Nonstandard Bid Items and Applicable Sections

Item Code	Item Description	Applicable Section
14900X	Prepare Fugitive Dust Plan	14
15XXXX	Railroad Modifications	15
47501X	Retaining Wall (Modular Block) (F)	47
51009X	Drainage Inlet (Type G1)	51
51050X	Typical Pipe Outlet (Retaining Wall)	51
51050X	Minor Concrete (Retaining Wall Coping) (F)	51
5680XX	Removable Center Bollard (Bike Path)	56
68028X	Subdrain System (6" PP & 6" PPP)	68
73002X	Minor Concrete (Retaining Curb)	73
804XXX	Simulated Wood Fence	80
82063X	Relocate Sign (Wood Post)	82
82084X	Sign (Wood Post, Bike Path)	82
83951X	Handrailing (Modified)	83
8708XX	Pedestrian Signal System (2 Locations)	87

Add to the table in section 1-1.06:

Abbreviation	Meaning
AT&T	American Telephone & Telegraph Company
EID	El Dorado Irrigation District
PG&E	Pacific Gas and Electric Utility Company
USPS	United States Postal Service

Replace the corresponding definitions in section 1-1.07B with:

Bid Item List: List of bid items and the associated quantities. The Proposal Pay Items and Bid Price Schedule in the Proposal section is the Bid Item List. The verified Bid Item List is Exhibit A Contractor's Bid and Bid Price Schedule in the fully-executed contract for the project.

Contract acceptance: County Clerk/Recorder's recordation of the executed written Notice of Acceptance of a completed Contract.

Department or Department of Transportation: The Department of Transportation in the County of El Dorado or Department of Transportation as defined in St & Hwy Code § 20 and authorized in St & Hwy Code § 90; its authorized representatives.

Engineer: The Director of Transportation for County of El Dorado, or authorized representative (Resident Engineer) responsible for the Contract's administration; the Resident Engineer's authorized representatives.

Federal-aid contract: Contract that has a federal-aid project number on the cover of the book titled Contract Documents.

Informal-bid contract: Contract that is noted as informally bid in the *Notice to Bidders*.

EXHIBIT A
CONTRACTOR'S BID AND BID PRICE SCHEDULE
EL DORADO TRAIL EXTENSION – MISSOURI FLAT ROAD TO EL DORADO
CIP No. 97014, CONTRACT No. 2778

ITEM NO.	ITEM CODE	ITEM DESCRIPTION	UNIT OF MEASURE	ESTIMATED QUANTITY	UNIT PRICE (IN FIGURES)	ITEM TOTAL (IN FIGURES)
1	072007	Excavation Safety	LS	1		
2	080050	Progress Schedule (Critical Path Method)	LS	1		
3	120090	Construction Area Signs	LS	1		
4	120100	Traffic Control System	LS	1		
5	130100	Job Site Management	LS	1		
6	130300	Prepare Storm Water Pollution Prevention Plan	LS	1		
7	130310	Rain Event Action Plan	EA	5		
8	130320	Storm Water Sampling and Analysis Day	EA	20		
9	130330	Storm Water Annual Report	EA	1		
10	130680	Temporary Silt Fence	LF	246		
11	141120	Treated Wood Waste	TON	10		
12	14900X	Prepare Fugitive Dust Plan	LS	1		
13	15XXXX	Railroad Modifications	LS	1		
14	170103	Clearing and Grubbing	LS	1		
15	190101	F Roadway Excavation	CY	2,087		
16	190139	Roadway Excavation (Unsuitable Material)	CY	200		
17	190185	Shoulder Backing	CY	315		

18	192037	F	Structure Excavation (Retaining Wall)	CY	149		
19	193013	F	Structure Backfill (Retaining Wall)	CY	76		
20	198010		Imported Borrow	CY	2,845		
21	210280		Rolled Erosion Control Product (Blanket)	SQFT	10,000		
22	210350		Fiber Rolls	LF	2,465		
23	210430		Hydroseed	SQFT	125,694		
24	260203		Class 2 Aggregate Base	CY	1,800		
25	390132		Hot Mix Asphalt (Type A)	TON	1,840		
26	398200		Cold Plane Asphalt Concrete Pavement (0.25' Depth)	SQYD	64		
27	47501X	F	Retaining Wall (Modular Block)	SQFT	1,930		
28	51009X		Drainage Inlet (Type G1)	EA	2		
29	51050X		Typical Pipe Outlet (Retaining Wall)	EA	4		
30	51050X	F	Minor Concrete (Retaining Wall Coping)	CY	19		
31	520101	F	Bar Reinforcing Steel	LB	2,552		
32	5680XX		Removable Center Bollard (Bike Path)	EA	8		
33	641101		12" Plastic Pipe	LF	68		
34	641107		18" Plastic Pipe	LF	19		
35	641119		30" Plastic Pipe	LF	74		
36	68028X		Subdrain System (6" PP & 6" PPP)	LF	688		
37	705007		12" Steel Flared End Section	EA	5		

38	705011	18" Steel Flared End Section	EA	1		
39	705019	30" Steel Flared End Section	EA	1		
40	707121	42" Precast Concrete Pipe Inlet (Type GCP)	EA	2		
41	710212	Adjust Manhole to Grade	EA	3		
42	723080	Rock Slope Protection (60 lb, Class II, Method B)	CY	101		
43	723095	Rock Slope Protection (20 lb, Class I, Method B)	CY	512		
44	729011	Rock Slope Protection Fabric (Class 8)	SQYD	2,863		
45	730010	Minor Concrete (Curb)	LF	750		
46	73002X	Minor Concrete (Retaining Curb)	CY	21		
47	730070	Detectable Warning Surface	SQFT	250		
48	804XXX	Simulated Wood Fence	LF	83		
49	82063X	Relocate Sign (Wood Post)	EA	3		
50	82084X	Sign (Wood Post, Bike Path)	EA	52		
51	83951X	Handrailing (Modified)	LF	1,295		
52	840516	Thermoplastic Pavement Marking (Enhanced Wet Night Visibility)	SQFT	564		
53	840656	Paint Traffic Stripe (2-Coat)	LF	11,692		
54	840666	Paint Pavement Marking (2-Coat)	SQFT	59		
55	8708XX	Pedestrian Signal System (2 Locations)	LS	1		
56	999990	Mobilization	LS	1		
(F) Final Pay Quantity, (P) Eligible for Partial Payment, (LS) Lump Sum				Total Bid:		

**PROPOSAL PAY ITEMS AND BID PRICE SCHEDULE
EL DORADO TRAIL EXTENSION – MISSOURI FLAT ROAD TO EL DORADO
CIP No. 97014, CONTRACT No. 2778**

ITEM NO.	ITEM CODE	ITEM DESCRIPTION	UNIT OF MEASURE	ESTIMATED QUANTITY	UNIT PRICE (IN FIGURES)	ITEM TOTAL (IN FIGURES)
1	072007	Excavation Safety	LS	1		
2	080050	Progress Schedule (Critical Path Method)	LS	1		
3	120090	Construction Area Signs	LS	1		
4	120100	Traffic Control System	LS	1		
5	130100	Job Site Management	LS	1		
6	130300	Prepare Storm Water Pollution Prevention Plan	LS	1		
7	130310	Rain Event Action Plan	EA	5		
8	130320	Storm Water Sampling and Analysis Day	EA	20		
9	130330	Storm Water Annual Report	EA	1		
10	130680	Temporary Silt Fence	LF	246		
11	141120	Treated Wood Waste	TON	10		
12	14900X	Prepare Fugitive Dust Plan	LS	1		
13	15XXXX	Railroad Modifications	LS	1		
14	170103	Clearing and Grubbing	LS	1		
15	190101	F Roadway Excavation	CY	2,087		
16	190139	Roadway Excavation (Unsuitable Material)	CY	200		
17	190185	Shoulder Backing	CY	315		

18	192037	F	Structure Excavation (Retaining Wall)	CY	149		
19	193013	F	Structure Backfill (Retaining Wall)	CY	76		
20	198010		Imported Borrow	CY	2,845		
21	210280		Rolled Erosion Control Product (Blanket)	SQFT	10,000		
22	210350		Fiber Rolls	LF	2,465		
23	210430		Hydroseed	SQFT	125,694		
24	260203		Class 2 Aggregate Base	CY	1,800		
25	390132		Hot Mix Asphalt (Type A)	TON	1,840		
26	398200		Cold Plane Asphalt Concrete Pavement (0.25' Depth)	SQYD	64		
27	47501X	F	Retaining Wall (Modular Block)	SQFT	1,930		
28	51009X		Drainage Inlet (Type G1)	EA	2		
29	51050X		Typical Pipe Outlet (Retaining Wall)	EA	4		
30	51050X	F	Minor Concrete (Retaining Wall Coping)	CY	19		
31	520101	F	Bar Reinforcing Steel	LB	2,552		
32	5680XX		Removable Center Bollard (Bike Path)	EA	8		
33	641101		12" Plastic Pipe	LF	68		
34	641107		18" Plastic Pipe	LF	19		
35	641119		30" Plastic Pipe	LF	74		
36	68028X		Subdrain System (6" PP & 6" PPP)	LF	688		
37	705007		12" Steel Flared End Section	EA	5		

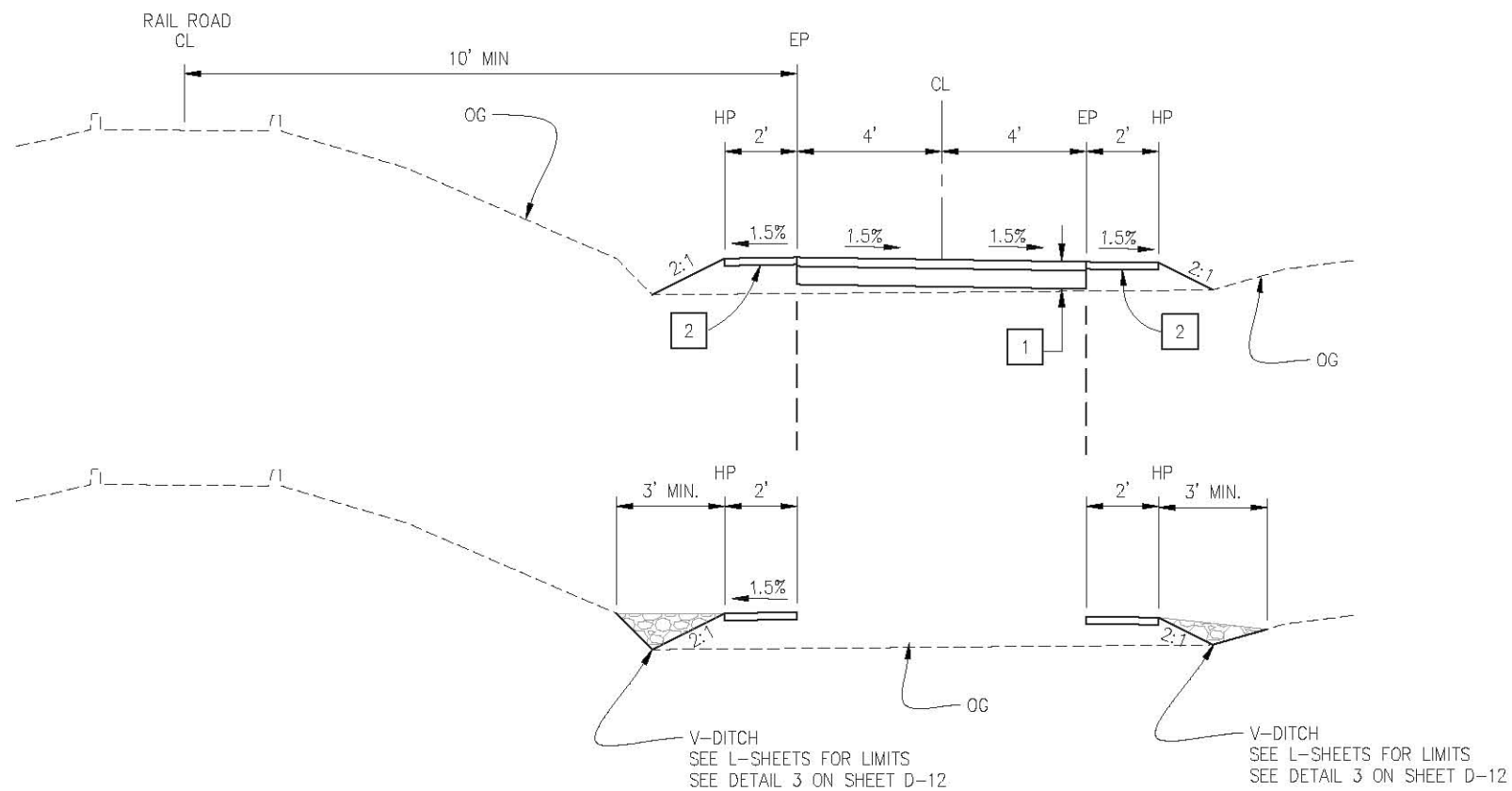
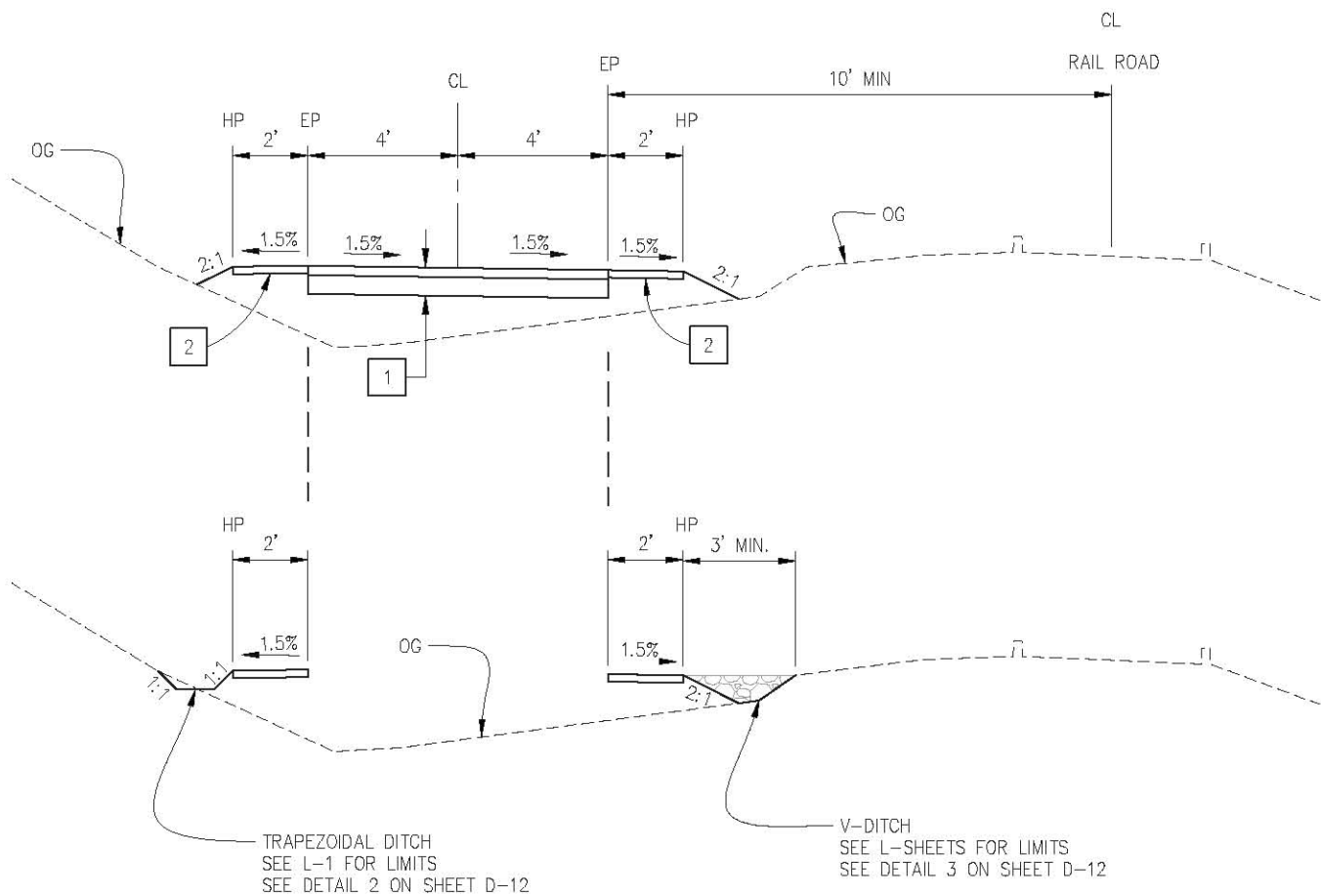
38	705011		18" Steel Flared End Section	EA	1		
39	705019		30" Steel Flared End Section	EA	1		
40	707121		42" Precast Concrete Pipe Inlet (Type GCP)	EA	2		
41	710212		Adjust Manhole to Grade	EA	3		
42	723080		Rock Slope Protection (60 lb, Class II, Method B)	CY	101		
43	723095		Rock Slope Protection (20 lb, Class I, Method B)	CY	512		
44	729011		Rock Slope Protection Fabric (Class 8)	SQYD	2,863		
45	730010		Minor Concrete (Curb)	LF	750		
46	73002X		Minor Concrete (Retaining Curb)	CY	21		
47	730070		Detectable Warning Surface	SQFT	250		
48	804XXX		Simulated Wood Fence	LF	83		
49	82063X		Relocate Sign (Wood Post)	EA	3		
50	82084X		Sign (Wood Post, Bike Path)	EA	52		
51	83951X		Handrailing (Modified)	LF	1,295		
52	840516		Thermoplastic Pavement Marking (Enhanced Wet Night Visibility)	SQFT	564		
53	840656		Paint Traffic Stripe (2-Coat)	LF	11,692		
54	840666		Paint Pavement Marking (2-Coat)	SQFT	59		
55	8708XX		Pedestrian Signal System (2 Locations)	LS	1		
56	999990		Mobilization	1	LS		
(F) Final Pay Quantity, (P) Eligible for Partial Payment, (LS) Lump Sum						Total Bid:	

(NOTICE: Bidders failure to execute the questionnaires and statements contained in this proposal as required by applicable laws and regulations, or the determinations by County of El Dorado based upon those questionnaires and statements, may prohibit award of the subject Contract to the bidder.)

El Dorado Trail Extension – Missouri Flat Road to El Dorado
CIP No. 97014, Contract No. 2778
 April 3, 2019

County of El Dorado
Proposal
 Page P-5 REV

ORIGINAL SCALE IS IN INCHES
Drawing name: C:\Civil 3D\Projects\97014 El Dorado Trail - Missouri Flat Rd to El Dorado Rd\CADD Files\Sheets\X-Sheet.dwg Layout Tab: X-1 Apr 03 2019 - 1:01pm Aliguyen



'T' - 10+14.37 TO 10+50.00
 12+50.00 TO 30+50.00
 58+16.25 TO 58+75.00
 61+24.33 TO 79+94.90
 80+36.82 TO 84+40.00

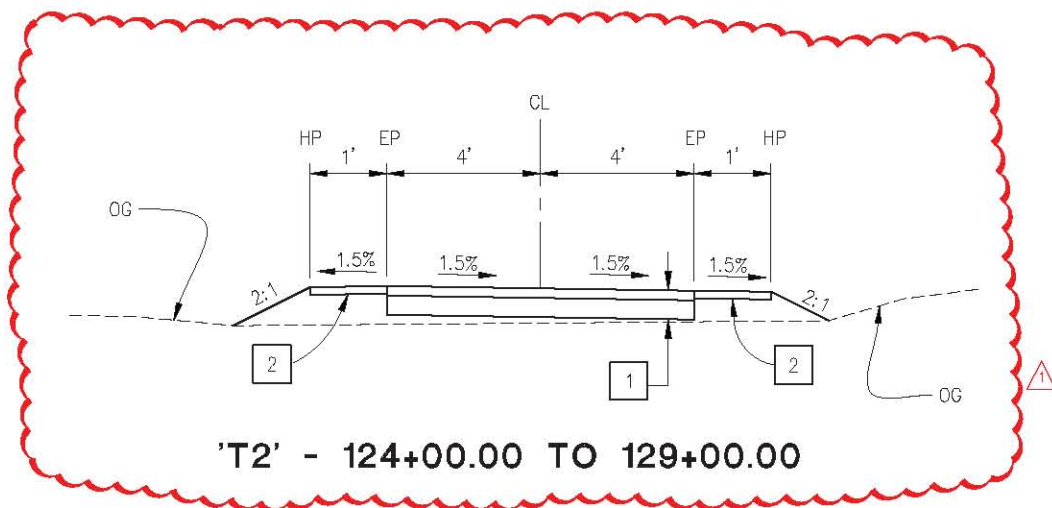
'T' - 31+35.00 TO 37+75.00
 'T' - 38+25.00 TO 39+75.00
 'T' - 40+20.00 TO 40+55.00
 'T' - 41+35.00 TO 43+00.00
 'T' - 44+75.00 TO 46+75.00
 'T' - 47+60.00 TO 57+30.00
 'T' - 85+50.00 TO 87+00.00
 'T' - 89+10.00 TO 93+00.00
 'T' - 94+85.00 TO 96+00.00
 'T' - 98+00.00 TO 105+19.50
 'T' - 106+48.72 TO 124+00.00
~~'T2' - 124+00.00 TO 129+00.00~~ ⚠

GENERAL NOTES:

1. SEE L-SHEETS FOR LIMITS OF HANDRAILING AND DITCH.

CONSTRUCTION NOTES:

- 1 - 0.25' HMA (TYPE A)
0.50' AB (CLASS 2)
- 2 - 0.20' AB (CLASS 2) SHOULDER BACKING
- 3 - CURB (TYPE A1-6)
0.5' AB (CLASS 2) ⚠



'T2' - 124+00.00 TO 129+00.00

TYPICAL SECTIONS
SCALE : N/A

REVISION	NUMBER	DATE	DESCRIPTION	BY
⚠	4/3/2019	ADDENDUM #1		DH



PREPARED UNDER THE SUPERVISION OF :

 REGISTERED CIVIL ENGINEER
 3/5/2019
 DATE:

DESIGNED: JN
 DRAWN: AN
 CHECKED: DH
 DATE: 3/5/2019
 ROAD NUMBER: N/A



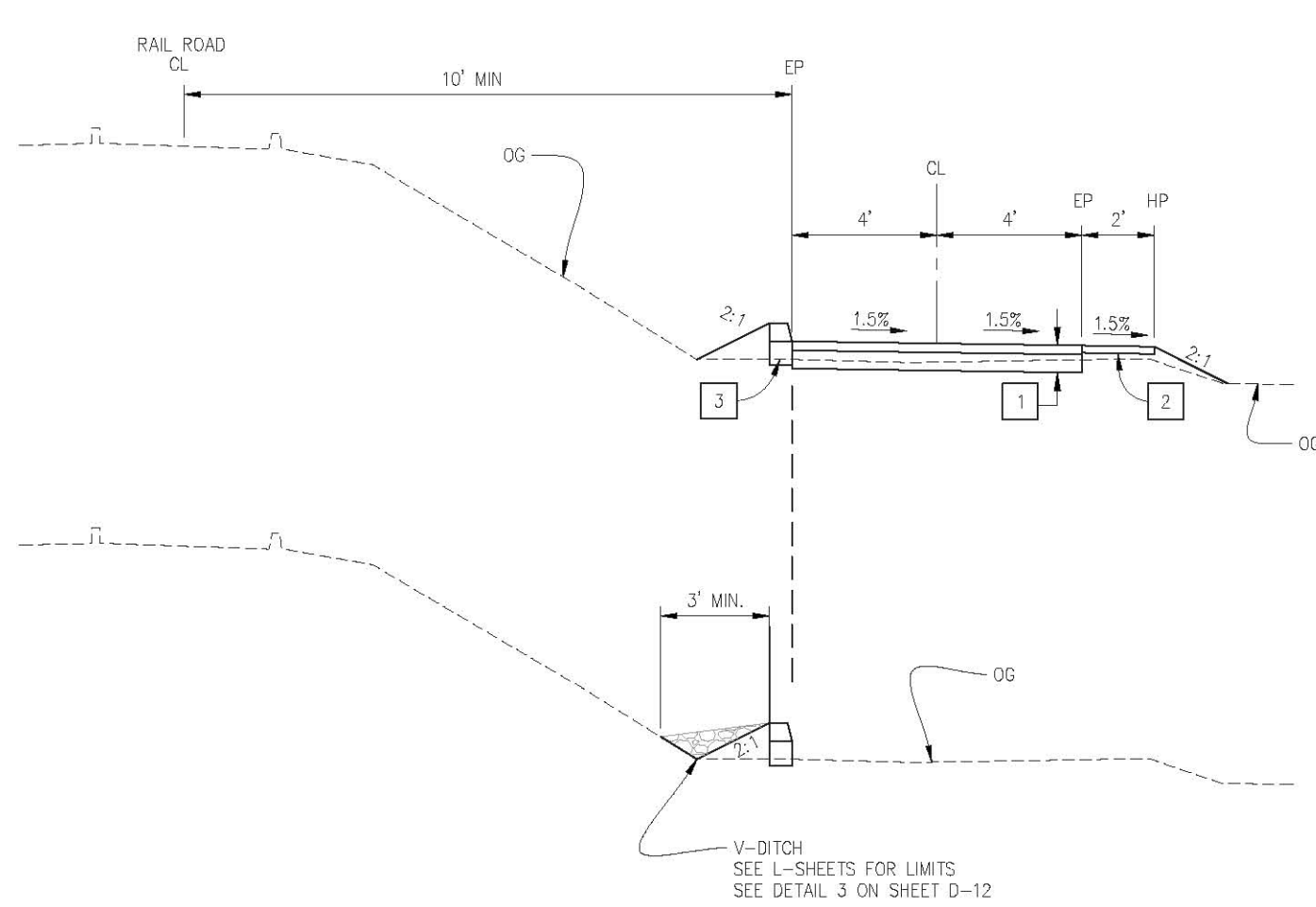
COUNTY OF EL DORADO
 DEPARTMENT OF TRANSPORTATION

EL DORADO TRAIL EXTENSION
 MISSOURI FLAT ROAD TO EL DORADO

19-0627 A 12 of 37

SHEET
X-1
 7 OF 103
 W.C. No. 97014

ORIGINAL SCALE IS IN INCHES
 Drawing name: C:\Civil 3D\Projects\97014 El Dorado Trail - Missouri Flat Rd to El Dorado Rd\CADD Files\Sheets\X_Sheet.dwg Layout Tab: X-2 Apr 03 2019 - 1:02pm Altguyen



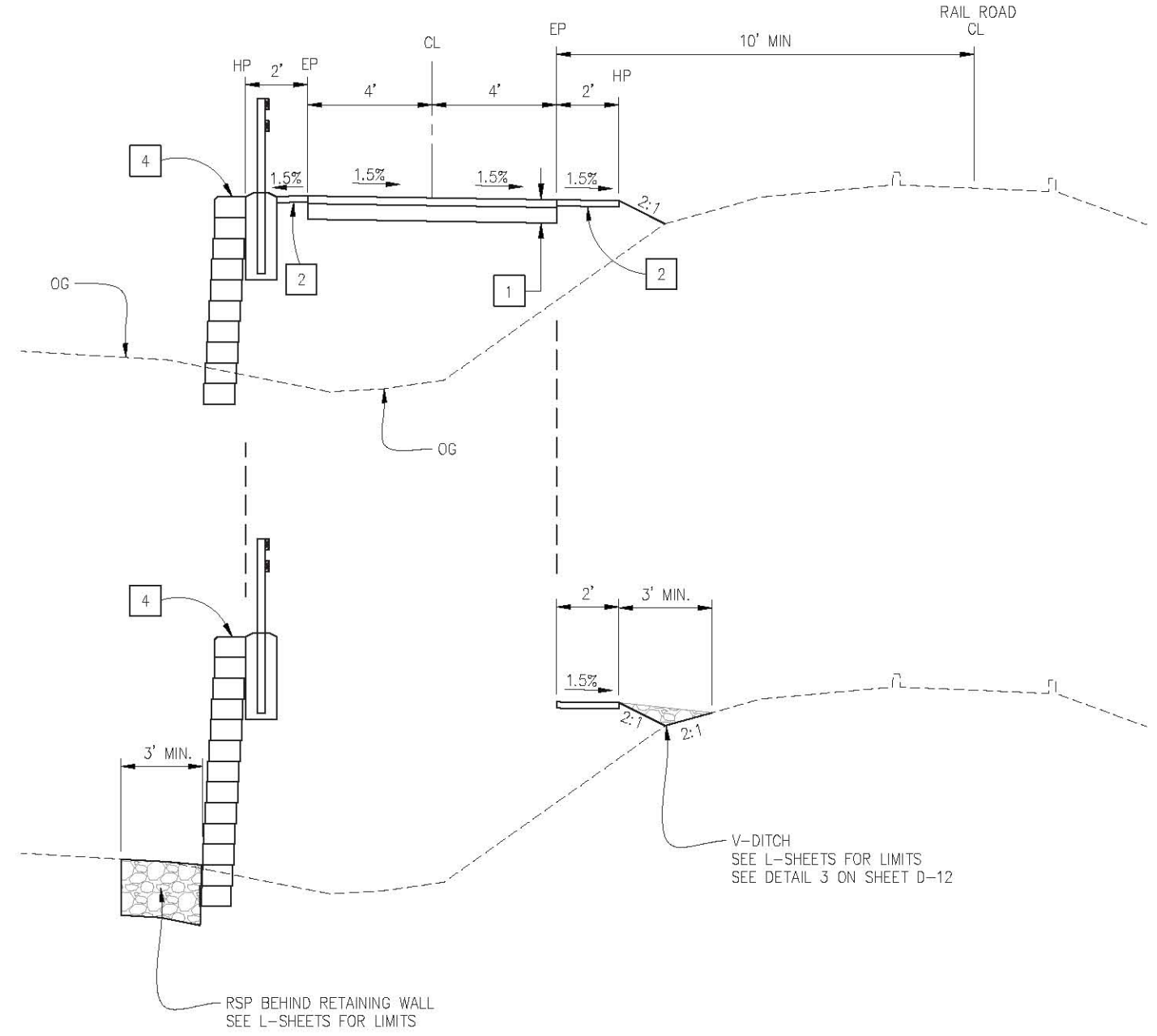
- 'T' - 37+75.00 TO 38+25.00
- 'T' - 39+75.00 TO 40+20.00
- 'T' - 40+55.00 TO 41+35.00
- 'T' - 43+00.00 TO 44+75.00
- 'T' - 46+75.00 TO 47+60.00
- 'T' - 96+00.00 TO 98+00.00

CONSTRUCTION NOTES:

- 1 - 0.25' HMA (TYPE A)
0.50' AB (CLASS 2)
- 2 - 0.20' AB (CLASS 2) SHOULDER BACKING
- 3 - CURB (TYPE A1-6)
~~0.5' AB (CLASS 2)~~

GENERAL NOTES:

- 1. SEE L-SHEETS FOR LIMITS OF HANDRAILING AND DITCH.



- 'T' - 58+75.00 TO 59+70.00
- 'T' - 60+20.04 TO 61+24.33

RSP BEHIND RETAINING WALL
SEE L-SHEETS FOR LIMITS

V-DITCH
SEE L-SHEETS FOR LIMITS
SEE DETAIL 3 ON SHEET D-12

TYPICAL SECTIONS
SCALE : N/A

REVISION	NUMBER	DATE	DESCRIPTION	BY
Δ	4/3/2019	ADDENDUM #1		DH



PREPARED UNDER THE SUPERVISION OF :
Justin W. Harrington
 REGISTERED CIVIL ENGINEER
 3/5/2019
 DATE:

DESIGNED: JN
 DRAWN: AN
 CHECKED: DH
 DATE: 3/5/2018
 ROAD NUMBER: N/A



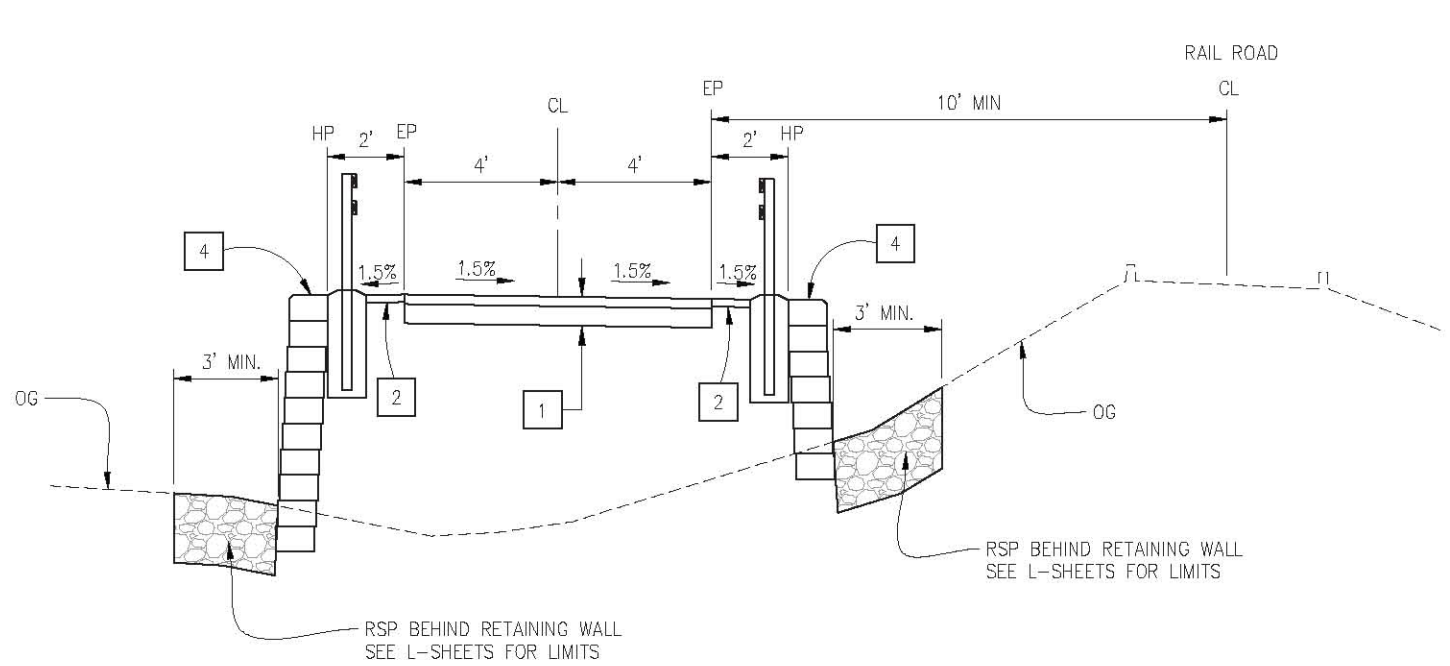
COUNTY OF EL DORADO
 DEPARTMENT OF TRANSPORTATION

EL DORADO TRAIL EXTENSION
 MISSOURI FLAT ROAD TO EL DORADO

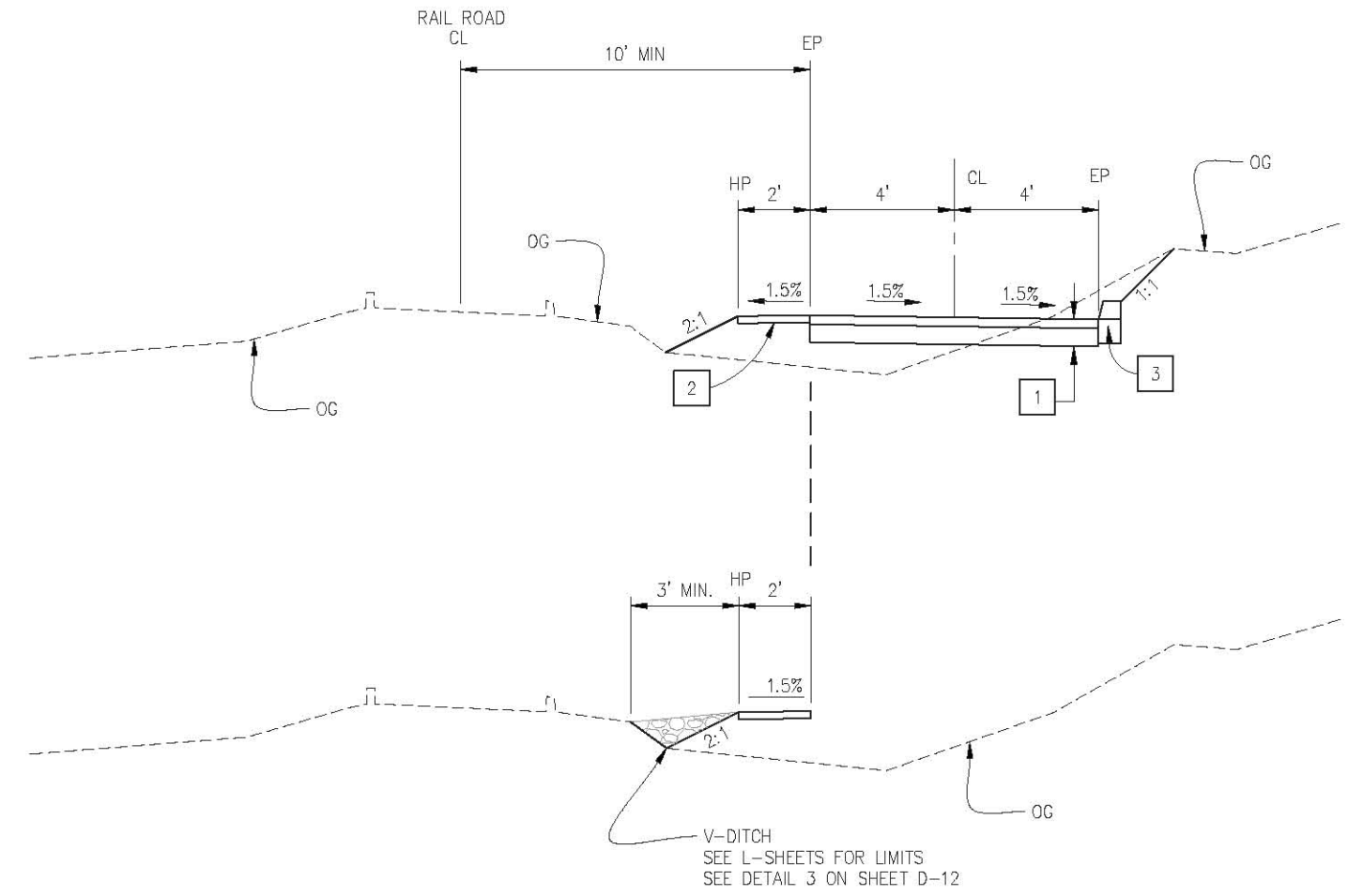
SHEET
X-2
 8 OF 103
 W.G. No. 97014

19-0627 A 13 of 37

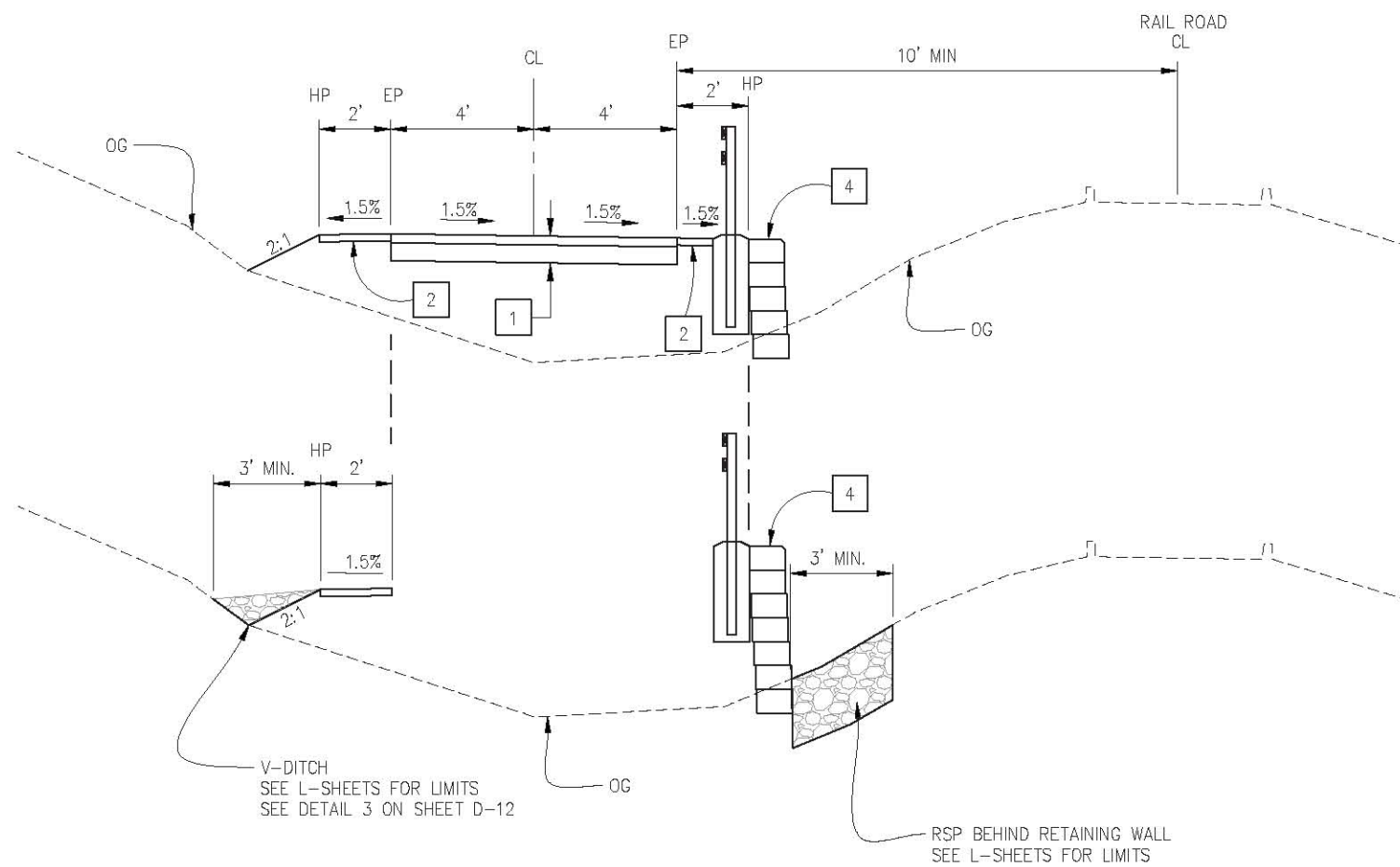
ORIGINAL SCALE IS IN INCHES
 Drawing name: C:\Civil 3D\Projects\97014 El Dorado Trail - Missouri Flat Rd to El Dorado Rd\CADD Files\Sheets\X-Sheet.dwg Layout Tab: X-3 Apr 03/2019 - 1:04pm Altugyen



'T' - 59+70.00 TO 60+20.04



'T' - 87+00.00 TO 89+10.00



'T' - 79+94.90 TO 80+36.82

CONSTRUCTION NOTES:

- 1 - 0.25' HMA (TYPE A)
0.50' AB (CLASS 2)
- 2 - 0.20' AB (CLASS 2) SHOULDER BACKING
- 3 - CURB (TYPE A1-6)
0.5' AB (CLASS 2)
- 4 - RETAINING WALL, SEE RW-SHEETS FOR DETAILS

GENERAL NOTES:

1. SEE L-SHEETS FOR LIMITS OF HANDRAILING AND DITCH.

FOR REDUCED PLANS

REVISION	NUMBER	DATE	DESCRIPTION	BY
	1	4/3/2019	ADDENDUM #1	DH



PREPARED UNDER THE SUPERVISION OF:

 REGISTERED CIVIL ENGINEER
 DATE: 3/5/2019

DESIGNED: JUN AN
 DRAWN: AN
 CHECKED: DH
 DATE: 3/5/2018
 ROAD NUMBER: N/A



COUNTY OF EL DORADO
 DEPARTMENT OF TRANSPORTATION

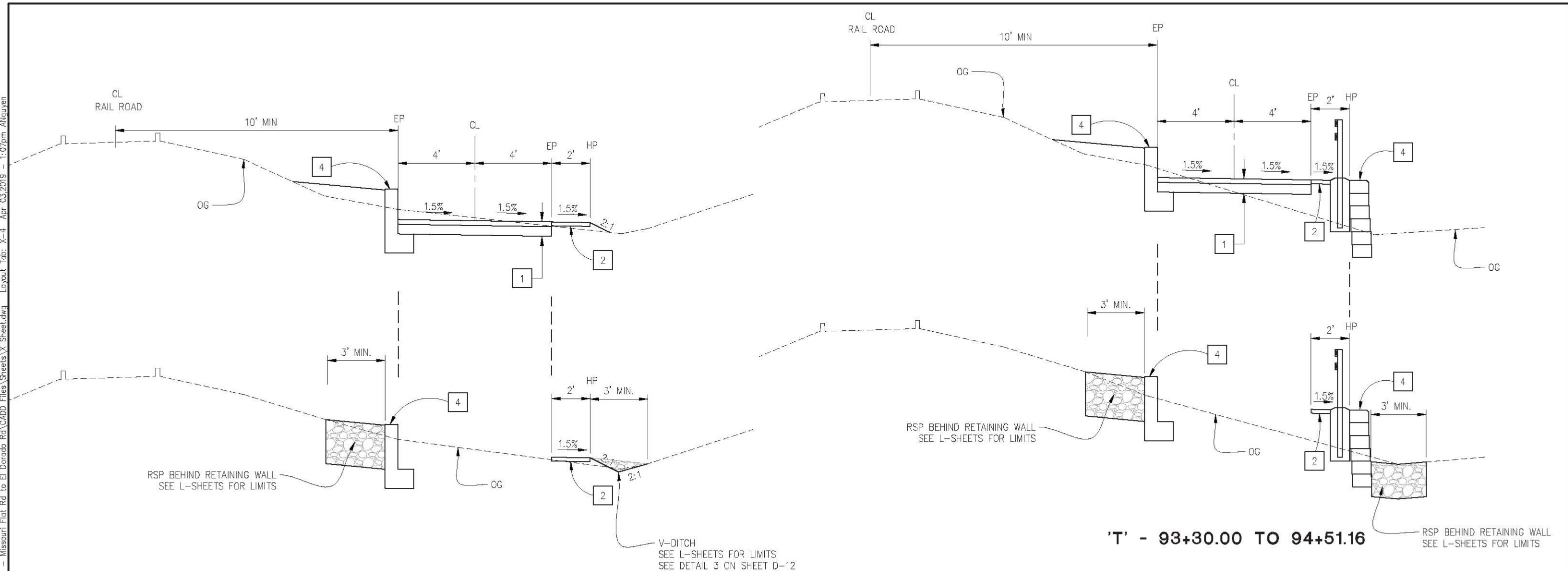
EL DORADO TRAIL EXTENSION
 MISSOURI FLAT ROAD TO EL DORADO

19-0627 A 14 of 37

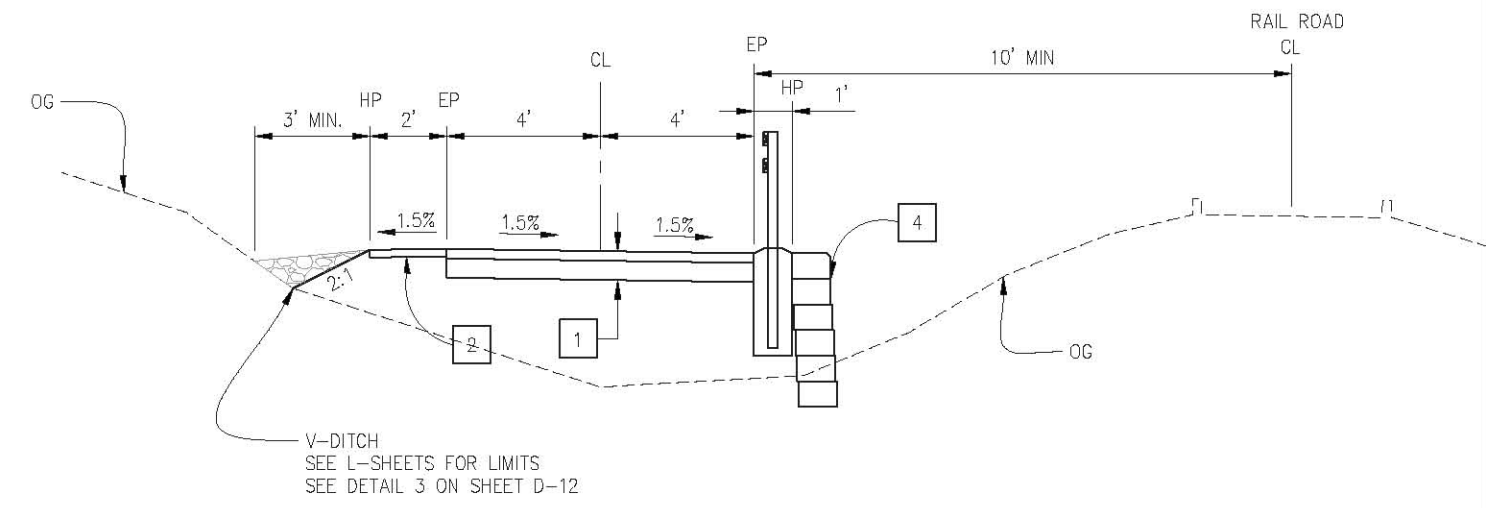
SHEET
X-3
 9 OF 103
 W.G. No. 97014

TYPICAL SECTIONS
 SCALE: N/A

ORIGINAL SCALE IS IN INCHES
Drawing name: C:\Civil 3D\Projects\97014 El Dorado Trail - Missouri Flat Rd to El Dorado Rd\CADD Files\Sheets\X-Sheet.dwg Layout Tab: X-4 Apr 03 2019 1:07pm Alkuyev



'T' - 93+00.00 TO 93+30.00
'T' - 94+51.16 TO 94+85.00



'T' - 105+19.50 TO 106+48.72

CONSTRUCTION NOTES:

- 1 — 0.25' HMA (TYPE A)
0.50' AB (CLASS 2)
- 2 — 0.20' AB (CLASS 2) SHOULDER BACKING
- 3 — CURB (TYPE A1-6)
0.5' AB (CLASS 2)
- 4 — RETAINING WALL, SEE RW-SHEETS FOR DETAILS

GENERAL NOTES:

- 1. SEE L-SHEETS FOR LIMITS OF HANDRAILING AND DITCH.

TYPICAL SECTIONS
SCALE : N/A

REVISION	NUMBER	DATE	DESCRIPTION	BY



PREPARED UNDER THE SUPERVISION OF :
Dustin W. Harrington
REGISTERED CIVIL ENGINEER
3/5/2019

DESIGNED: JN
DRAWN: AN
CHECKED: DH
DATE: 3/5/2019
ROAD NUMBER: N/A



COUNTY OF EL DORADO
DEPARTMENT OF TRANSPORTATION

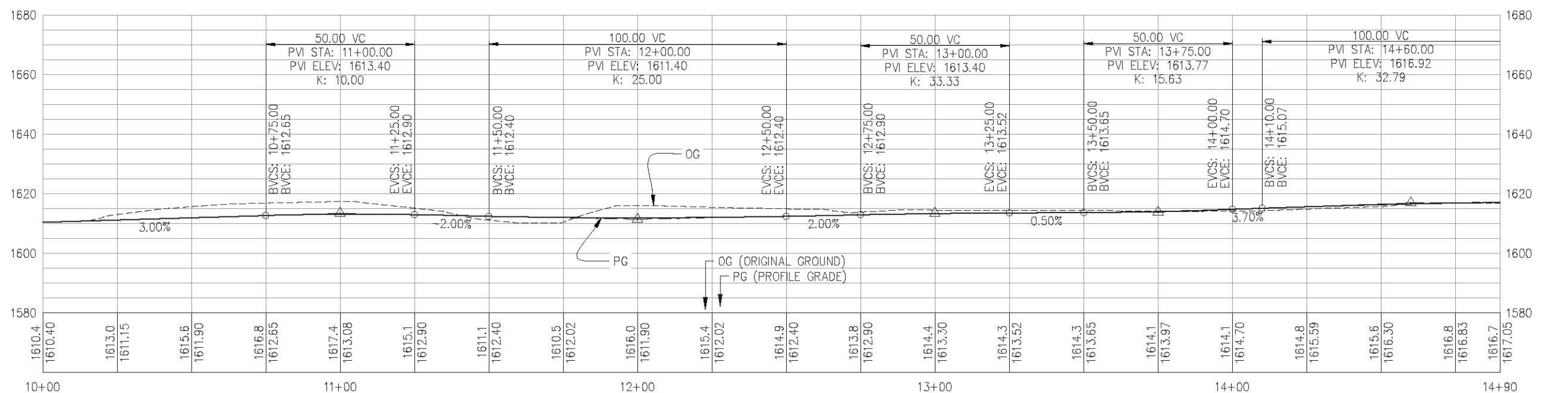
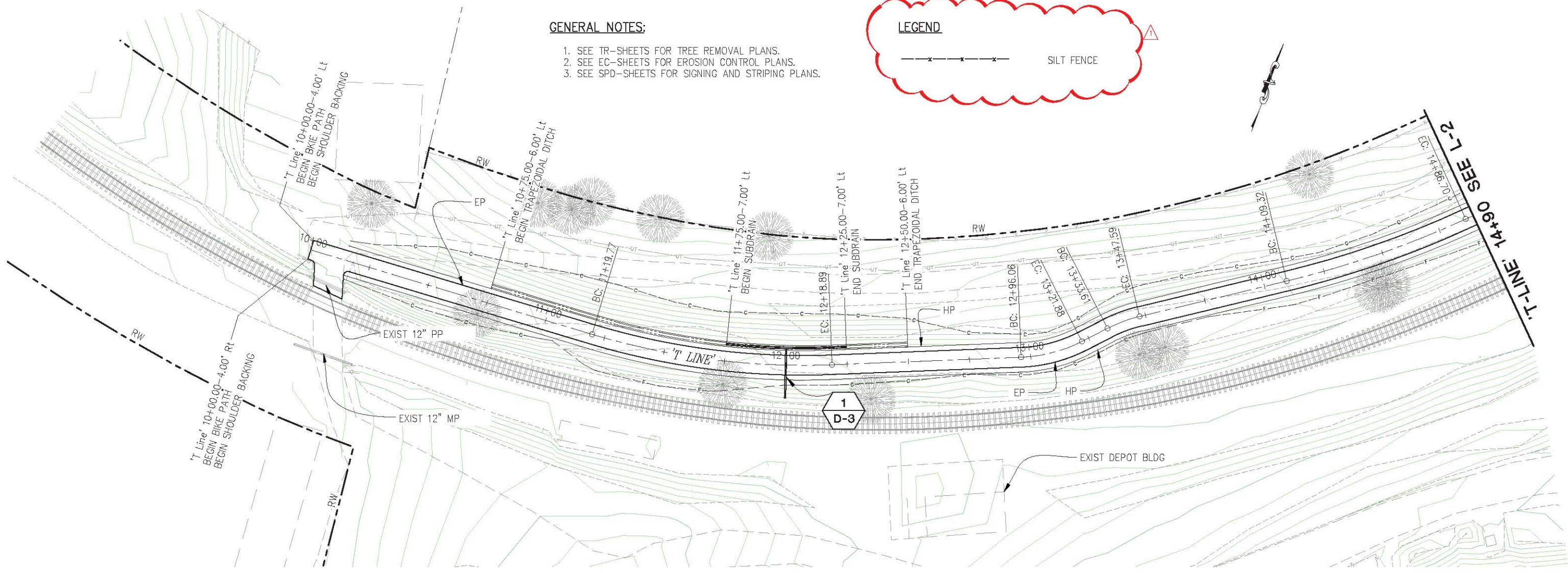
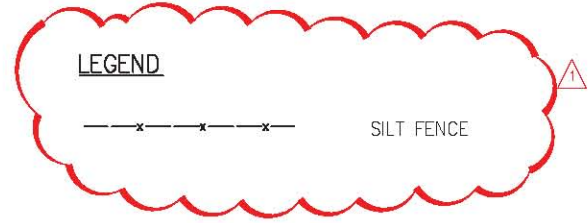
EL DORADO TRAIL EXTENSION
MISSOURI FLAT ROAD TO EL DORADO

SHEET
X-4
10 OF 103
W.G. No. 97014

ORIGINAL SCALE IS IN INCHES
 Drawing name: C:\Civil 3D\Projects\97014 El Dorado Trail - Missouri Flat Rd to El Dorado Rd\CADD\Files\Sheets\L-1.dwg Layout Tab: L-1 Apr 02,2019 - 2:40pm Alkueven
 FOR REDUCED PLANS

GENERAL NOTES:

1. SEE TR-SHEETS FOR TREE REMOVAL PLANS.
2. SEE EC-SHEETS FOR EROSION CONTROL PLANS.
3. SEE SPD-SHEETS FOR SIGNING AND STRIPING PLANS.



LAYOUT AND PROFILE
SCALE : 1" = 20'

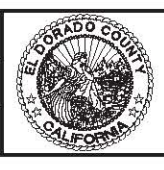
REVISION	NUMBER	DATE	DESCRIPTION	BY



PREPARED UNDER THE SUPERVISION OF:

 REGISTERED CIVIL ENGINEER
 DATE: 3/5/2019

DESIGNED: JUN AN
 DRAWN: AN
 CHECKED: DH
 DATE: 3/5/2019
 ROAD NUMBER: N/A



COUNTY OF EL DORADO
DEPARTMENT OF TRANSPORTATION

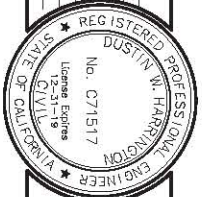
EL DORADO TRAIL EXTENSION
MISSOURI FLAT ROAD TO EL DORADO

SHEET
L-1
11 OF 103
W.C. No. 97014

19-0627 A 16 of 37



REVISION	
NUMBER	DATE
1	4/2/2019
ADDENDUM #1	
DH	



PREPARED UNDER THE SUPERVISION OF:
 REGISTERED CIVIL ENGINEER
 DATE: 3/5/2019

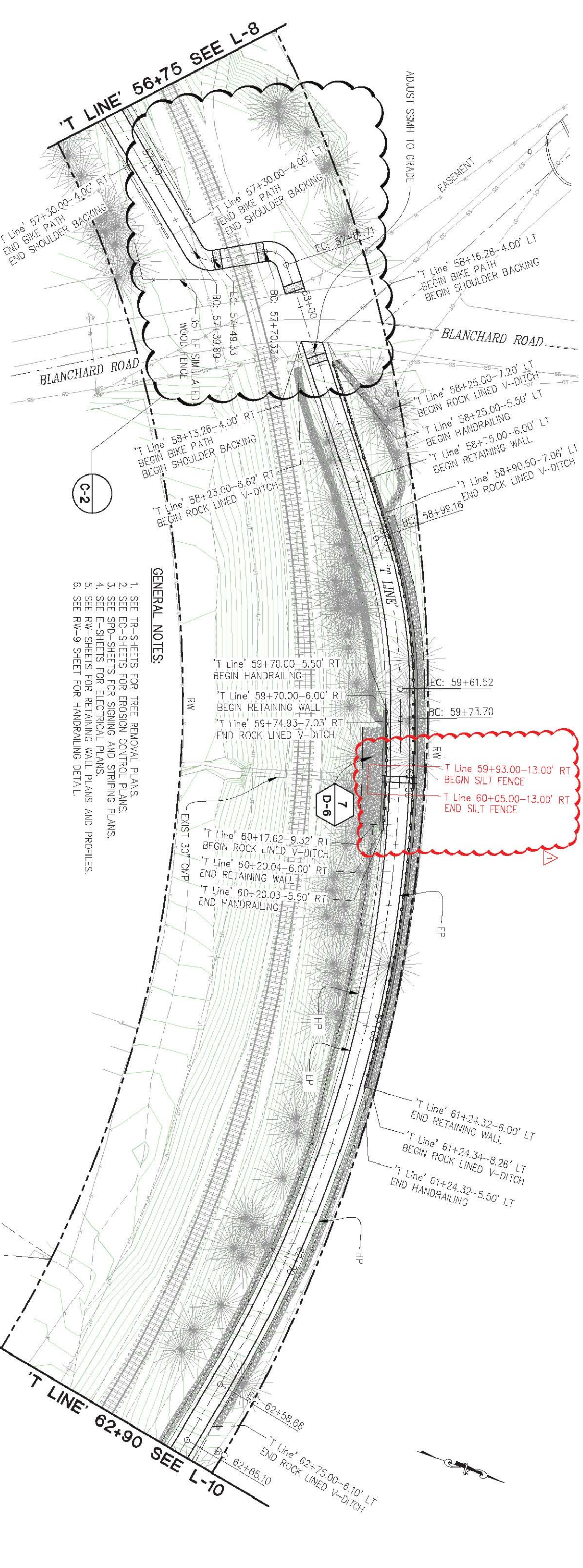
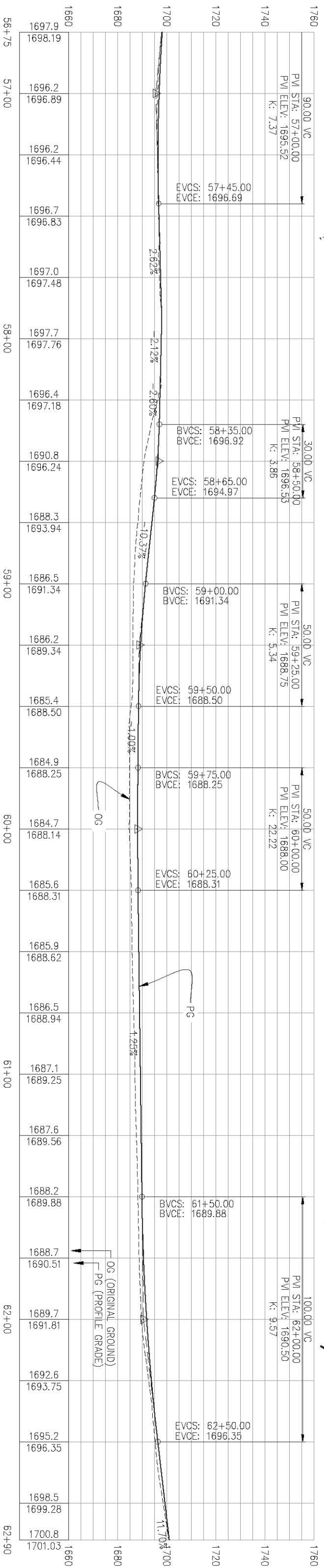
DESIGNER	DRAWN
CHECKED	DATE
DH	3/5/2019
FOUND NUMBER	N/A



COUNTY OF EL DORADO
 DEPARTMENT OF TRANSPORTATION

EL DORADO TRAIL EXTENSION
 MISSOURI FLAT ROAD TO EL DORADO

SHEET L-9
 19 OF 103
 W.O. No. 97014



- GENERAL NOTES:**
1. SEE TR-SHEETS FOR TREE REMOVAL PLANS.
 2. SEE EG-SHEETS FOR EROSION CONTROL PLANS.
 3. SEE SPD-SHEETS FOR SIGNING AND STRIPING PLANS.
 4. SEE E-SHEETS FOR ELECTRICAL PLANS.
 5. SEE RW-SHEETS FOR RETAINING WALL PLANS AND PROFILES.
 6. SEE RW-9 SHEET FOR HANDRAILING DETAIL.

T Line 59+93.00-13.00' RT
 BEGIN SILT FENCE
 T Line 60+05.00-13.00' RT
 END SILT FENCE

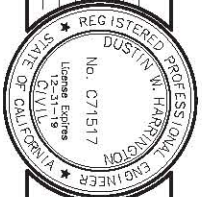


REVISION	
NUMBER	DATE
4	4/2/2019

ADDENDUM #1

REGISTERED CIVIL ENGINEER

DATE: 3/5/2019



DESIGNER	DRAWN
JUN	AN

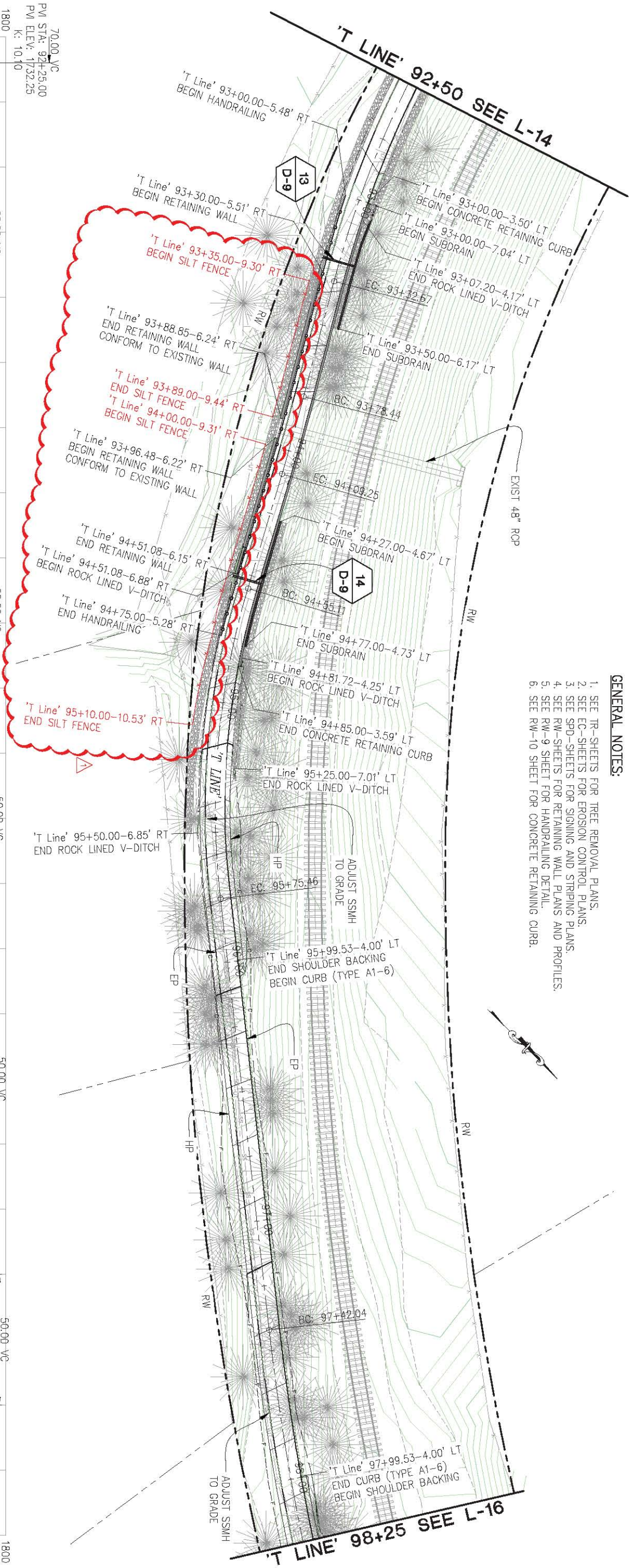
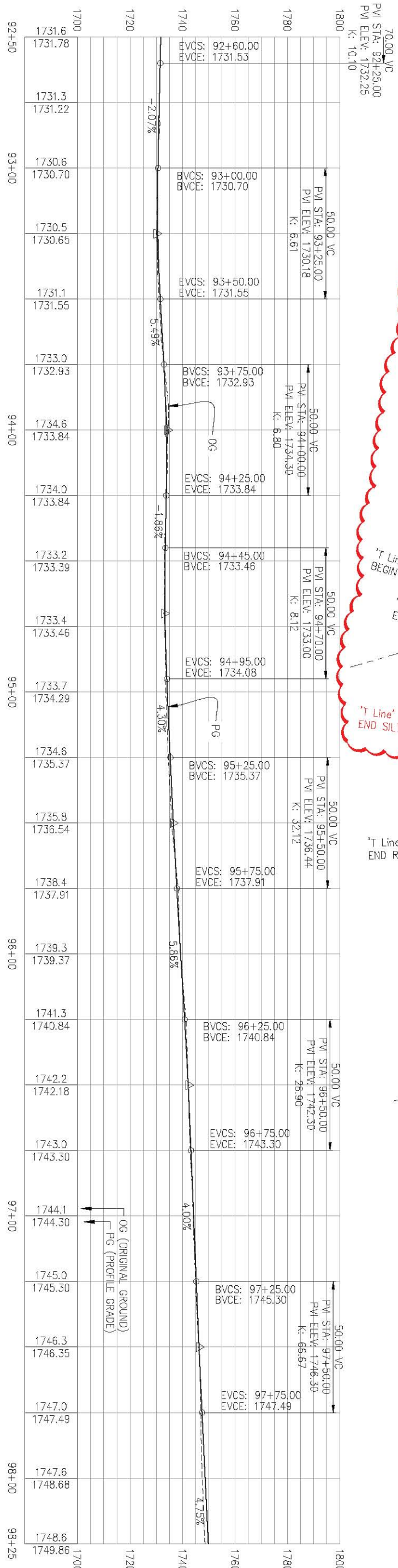
CHECKED: DH DATE: 3/5/2019



COUNTY OF EL DORADO
DEPARTMENT OF TRANSPORTATION

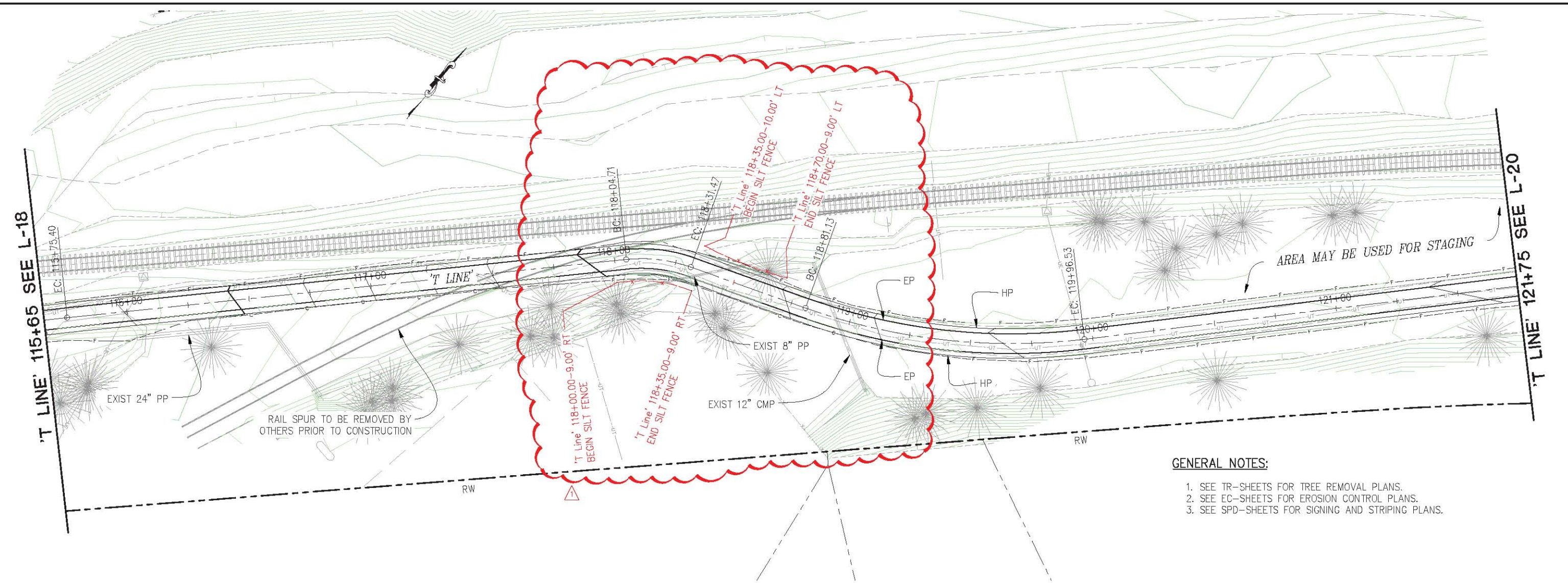
EL DORADO TRAIL EXTENSION
MISSOURI FLAT ROAD TO EL DORADO

SHEET L-15
25 OF 103
W.O. No. 97014

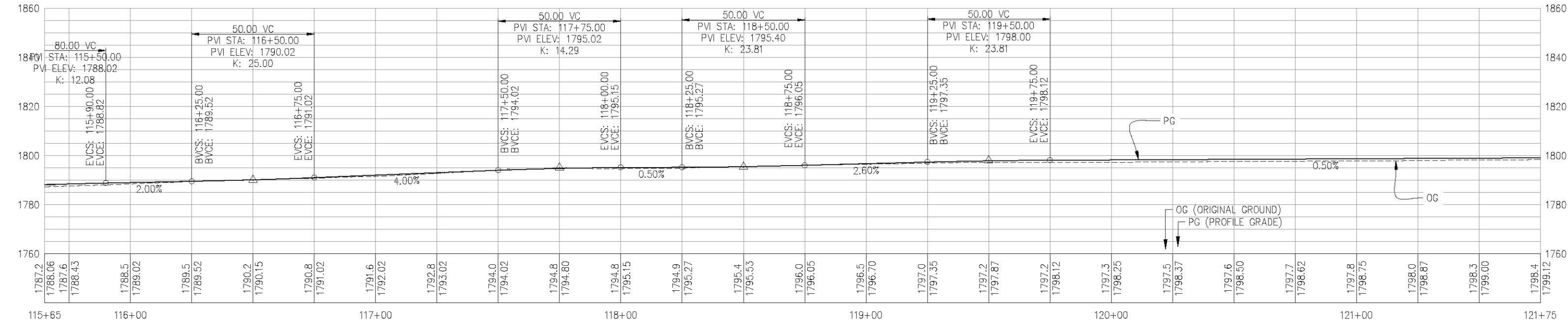


- GENERAL NOTES:**
1. SEE TR-SHEETS FOR TREE REMOVAL PLANS.
 2. SEE EC-SHEETS FOR EROSION CONTROL PLANS.
 3. SEE SPD-SHEETS FOR SIGNING AND STRIPING PLANS.
 4. SEE RW-SHEETS FOR RETAINING WALL PLANS AND PROFILES.
 5. SEE RW-9 SHEET FOR HANDRAILING DETAIL.
 6. SEE RW-10 SHEET FOR CONCRETE RETAINING CURB.

ORIGINAL SCALE IS IN INCHES
 Drawing name: C:\Civil 3D\Projects\97014 El Dorado Trail - Missouri Flat Rd to El Dorado Rd\CADD Files\Sheets\L-19.dwg Layout Tab: L-19 Apr 02, 2019 - 4:22pm Aktayevr
 FOR REDUCED PLANS

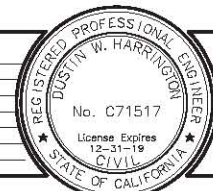


- GENERAL NOTES:**
1. SEE TR-SHEETS FOR TREE REMOVAL PLANS.
 2. SEE EC-SHEETS FOR EROSION CONTROL PLANS.
 3. SEE SPD-SHEETS FOR SIGNING AND STRIPING PLANS.



LAYOUT AND PROFILE
SCALE : 1" = 20'

REVISION	NUMBER	DATE	DESCRIPTION	BY



PREPARED UNDER THE SUPERVISION OF :

 REGISTERED CIVIL ENGINEER
 DATE: 3/5/2019

DESIGNED: JUN AN
 DRAWN: AN
 CHECKED: DH
 DATE: 3/5/2019
 ROAD NUMBER: N/A



COUNTY OF EL DORADO
 DEPARTMENT OF TRANSPORTATION

EL DORADO TRAIL EXTENSION
 MISSOURI FLAT ROAD TO EL DORADO

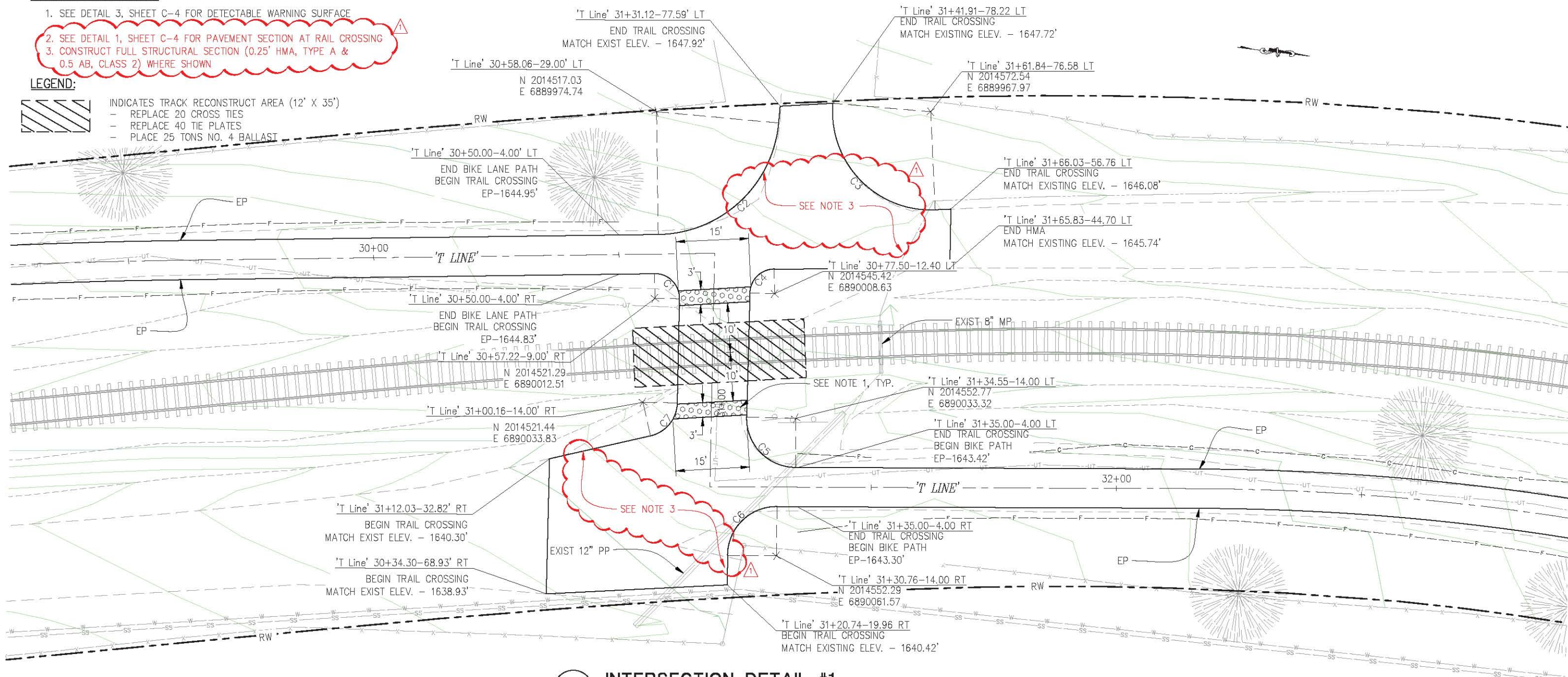
SHEET
L-19
 29 OF 103
 W.C. No. 97014

CONSTRUCTION NOTES:

1. SEE DETAIL 3, SHEET C-4 FOR DETECTABLE WARNING SURFACE
2. SEE DETAIL 1, SHEET C-4 FOR PAVEMENT SECTION AT RAIL CROSSING
3. CONSTRUCT FULL STRUCTURAL SECTION (0.25' HMA, TYPE A & 0.5 AB, CLASS 2) WHERE SHOWN

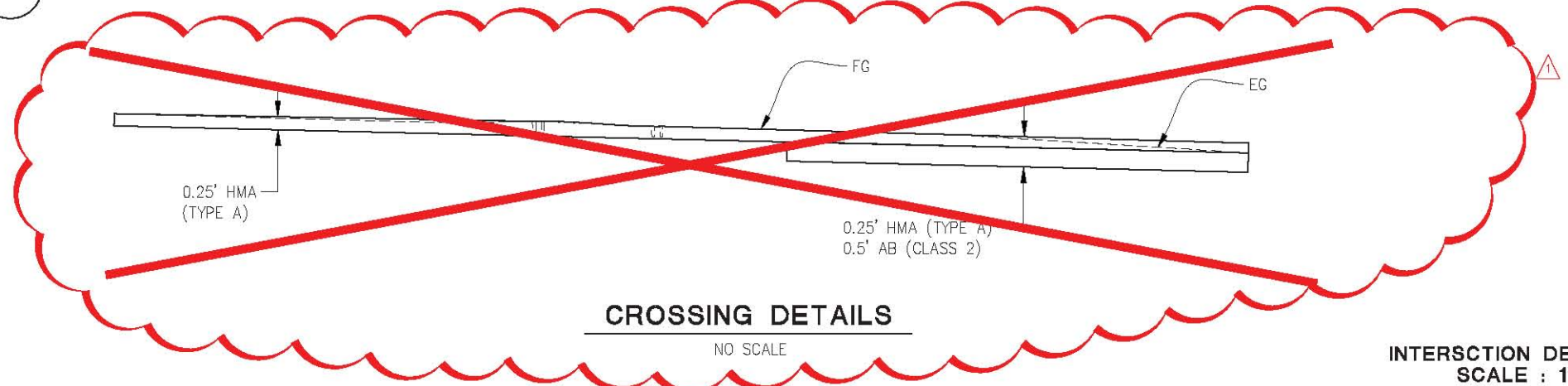
LEGEND:

- INDICATES TRACK RECONSTRUCT AREA (12' X 35')
- REPLACE 20 CROSS TIES
- REPLACE 40 TIE PLATES
- PLACE 25 TONS NO. 4 BALLAST



1 INTERSECTION DETAIL #1

CURVE DATA				
SEGMENT	LENGTH	RADIUS	CHORD DIRECTION & LENGTH	DELTA
C1	8.02	5	S38° 15' 14"W - 7.19	91° 53' 32"
C2	36.67	25	N49° 42' 35"W - 33.47	84° 02' 06"
C3	34.04	20	N39° 12' 40"E - 30.08	97° 30' 45"
C4	7.58	5	S51° 57' 32"E - 6.88	86° 53' 14"
C5	15.94	10	N38° 55' 58"E - 14.31	91° 19' 47"
C6	15.68	10	S51° 38' 49"E - 14.12	89° 49' 46"
C7	9.29	7	N57° 45' 51"W - 8.63	76° 04' 18"



INTERSECTION DETAILS
SCALE : 1" = 10'

ORIGINAL SCALE IS IN INCHES
Drawing name: C:\Civil 3D\Projects\97014 El Dorado Trail - Missouri Flat Rd to El Dorado Rd\CADD Files\Sheets\C Sheets.dwg
Layout Tab: C-1 Mar 28, 2019 3:39pm ANguyen
FOR REDUCED PLANS

REVISION	NUMBER	DATE	DESCRIPTION	BY



PREPARED UNDER THE SUPERVISION OF:
[Signature]
REGISTERED CIVIL ENGINEER
DATE: 3/5/2019

DESIGNED: JUN AN
DRAWN: AN
CHECKED: DH
DATE: 3/5/2019
ROAD NUMBER: N/A

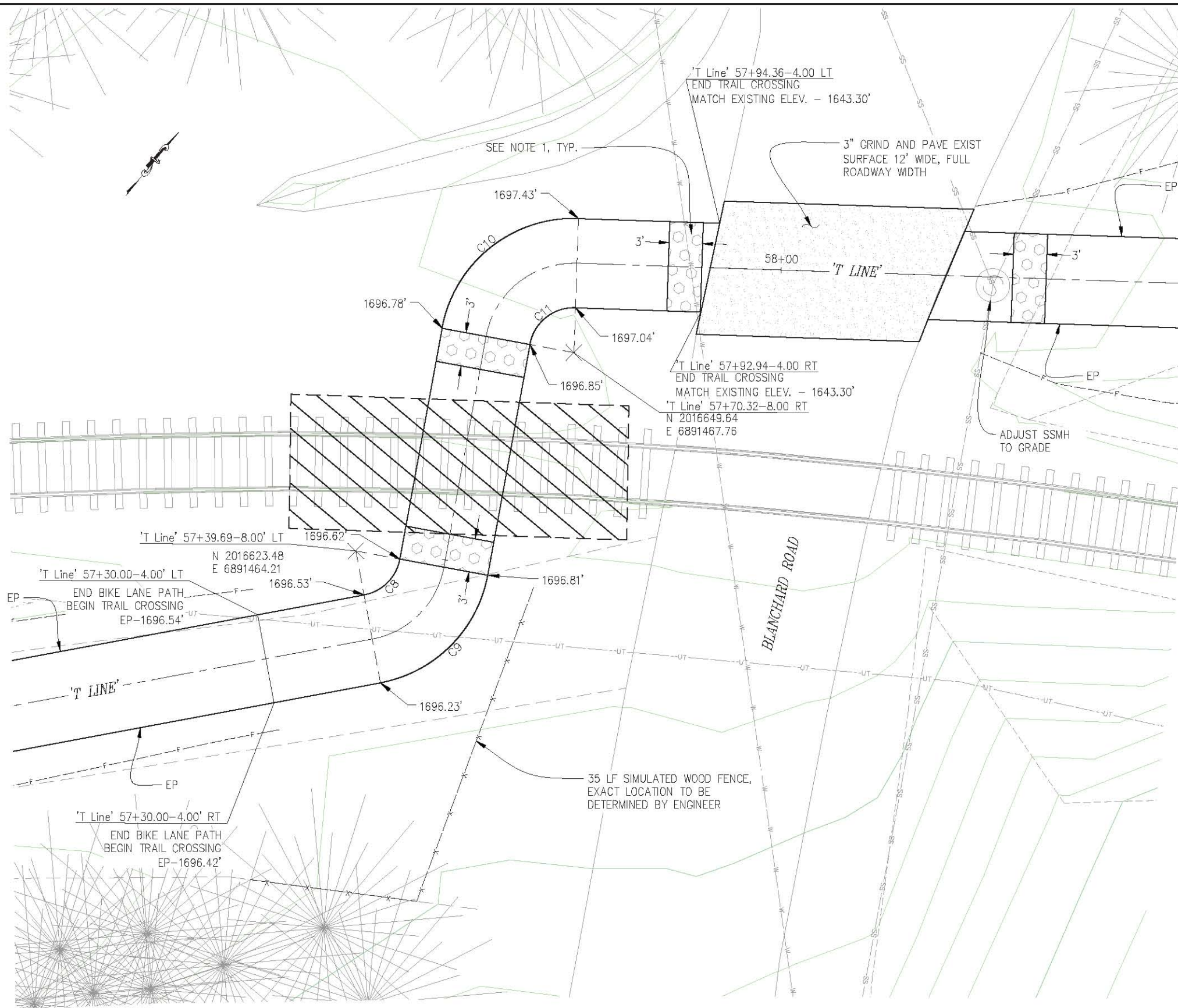


COUNTY OF EL DORADO
DEPARTMENT OF TRANSPORTATION

EL DORADO TRAIL EXTENSION
MISSOURI FLAT ROAD TO EL DORADO

SHEET
C-1
32 OF 103
W.C. No. 97014

ORIGINAL SCALE IS IN INCHES
 Drawing name: C:\Civil 3D\Projects\97014 El Dorado Trail - Missouri Flat Rd to El Dorado Rd\CADD Files\Sheets\C Sheets.dwg
 Layout Tab: C-2 Mar 28, 2019 - 11:47am Alkayem



CURVE DATA				
SEGMENT	LENGTH	RADIUS	CHORD DIRECTION & LENGTH	DELTA
C8	4.82	4	N4° 55' 02"E - 4.53	69° 03' 20"
C9	14.46	12	N4° 55' 02"E - 13.60	69° 03' 20"
C10	17.07	12	S11° 08' 47"W - 15.67	81° 30' 52"
C11	5.69	4	S11° 08' 47"W - 5.22	81° 25' 32"

CONSTRUCTION NOTES:

1. SEE DETAIL 3, SHEET C-4 FOR DETECTABLE WARNING SURFACE
2. SEE DETAIL 1, SHEET C-4 FOR PAVEMENT SECTION AT RAIL CROSSING
3. SEE DETAIL 2, SHEET C-4 FOR SIMULATED WOOD FENCE

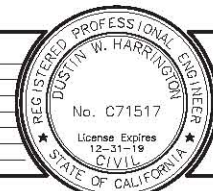
LEGEND:

- INDICATES TRACK RECONSTRUCT AREA (12' X 30')
 - REPLACE 19 CROSS TIES
 - REPLACE 38 TIE PLATES
 - PLACE 22 TONS NO. 4 BALLAST

2 INTERSECTION DETAIL #2

CONSTRUCTION DETAILS
SCALE : 1" = 5'

REVISION	NUMBER	DATE	DESCRIPTION	BY



PREPARED UNDER THE SUPERVISION OF:

 REGISTERED CIVIL ENGINEER
 DATE: 3/5/2019

DESIGNED: JUN AN
 DRAWN: AN
 CHECKED: DH
 DATE: 3/5/2019
 ROAD NUMBER: N/A



COUNTY OF EL DORADO
DEPARTMENT OF TRANSPORTATION


EL DORADO TRAIL EXTENSION
MISSOURI FLAT ROAD TO EL DORADO

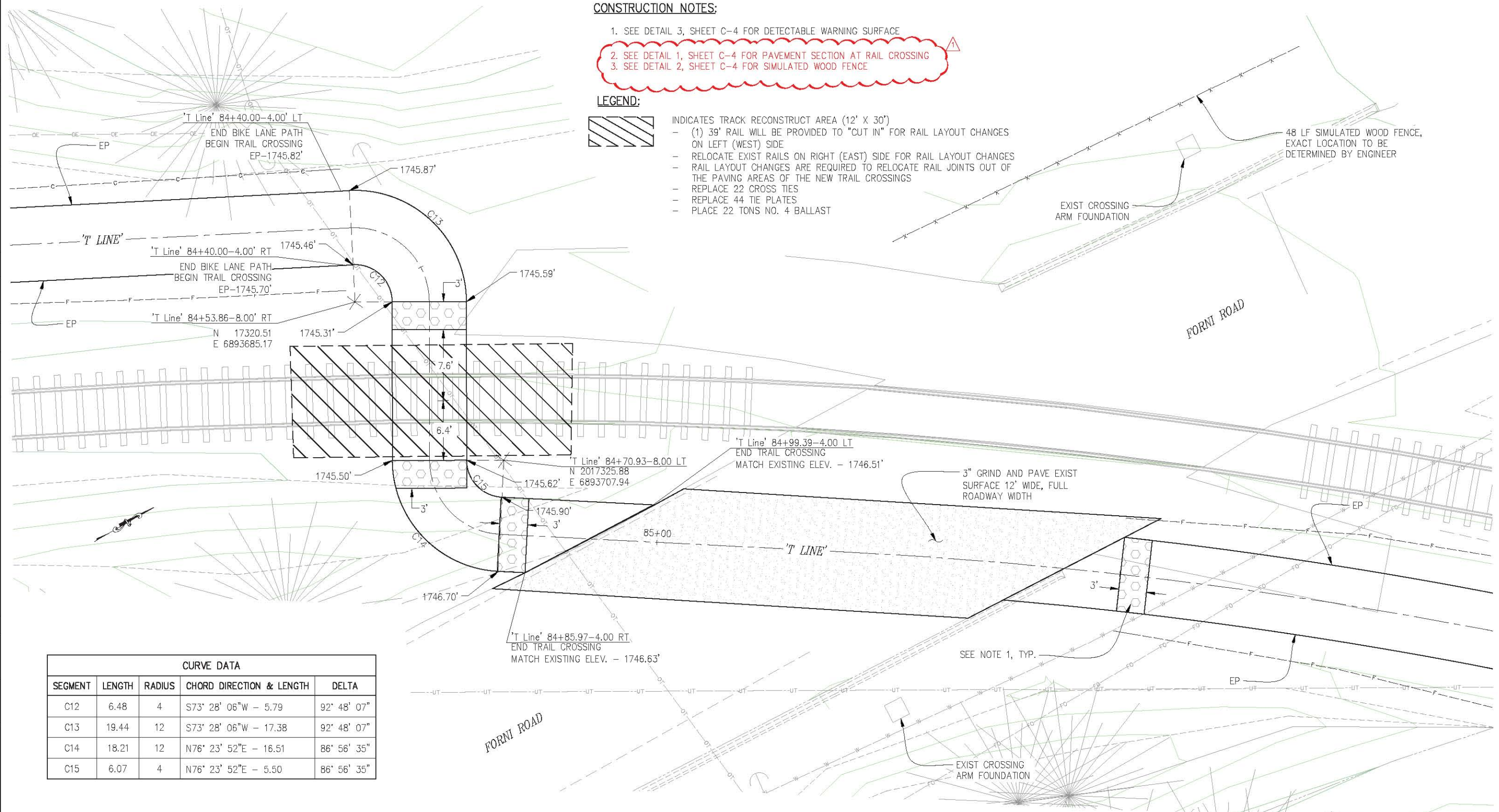
SHEET
C-2
33 OF 103
W.C. No. 97014

19-0627 A 21 of 37

ORIGINAL SCALE IS IN INCHES
 Drawing name: C:\Civil 3D\Projects\97014 El Dorado Trail - Missouri Flat Rd to El Dorado Rd\CADD\Files\Sheets\C-Sheets.dwg Layout: Tab: C-3 Mar 28, 2019 11:50am Alkayem
 FOR REDUCED PLANS

- CONSTRUCTION NOTES:**
- SEE DETAIL 3, SHEET C-4 FOR DETECTABLE WARNING SURFACE
 - SEE DETAIL 1, SHEET C-4 FOR PAVEMENT SECTION AT RAIL CROSSING
 - SEE DETAIL 2, SHEET C-4 FOR SIMULATED WOOD FENCE

- LEGEND:**
-  INDICATES TRACK RECONSTRUCT AREA (12' X 30')
 - (1) 39' RAIL WILL BE PROVIDED TO "CUT IN" FOR RAIL LAYOUT CHANGES ON LEFT (WEST) SIDE
 - RELOCATE EXIST RAILS ON RIGHT (EAST) SIDE FOR RAIL LAYOUT CHANGES
 - RAIL LAYOUT CHANGES ARE REQUIRED TO RELOCATE RAIL JOINTS OUT OF THE PAVING AREAS OF THE NEW TRAIL CROSSINGS
 - REPLACE 22 CROSS TIES
 - REPLACE 44 TIE PLATES
 - PLACE 22 TONS NO. 4 BALLAST



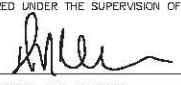
CURVE DATA				
SEGMENT	LENGTH	RADIUS	CHORD DIRECTION & LENGTH	DELTA
C12	6.48	4	S73° 28' 06"W - 5.79	92° 48' 07"
C13	19.44	12	S73° 28' 06"W - 17.38	92° 48' 07"
C14	18.21	12	N76° 23' 52"E - 16.51	86° 56' 35"
C15	6.07	4	N76° 23' 52"E - 5.50	86° 56' 35"

3 INTERSECTION DETAIL #3

CONSTRUCTION DETAILS
SCALE : 1" = 5'

REVISION	NUMBER	DATE	DESCRIPTION	BY



PREPARED UNDER THE SUPERVISION OF:

 REGISTERED CIVIL ENGINEER
 DATE: 3/5/2019

DESIGNED: JUN AN
 DRAWN: AN
 CHECKED: DH
 DATE: 3/5/2019
 ROAD NUMBER: N/A



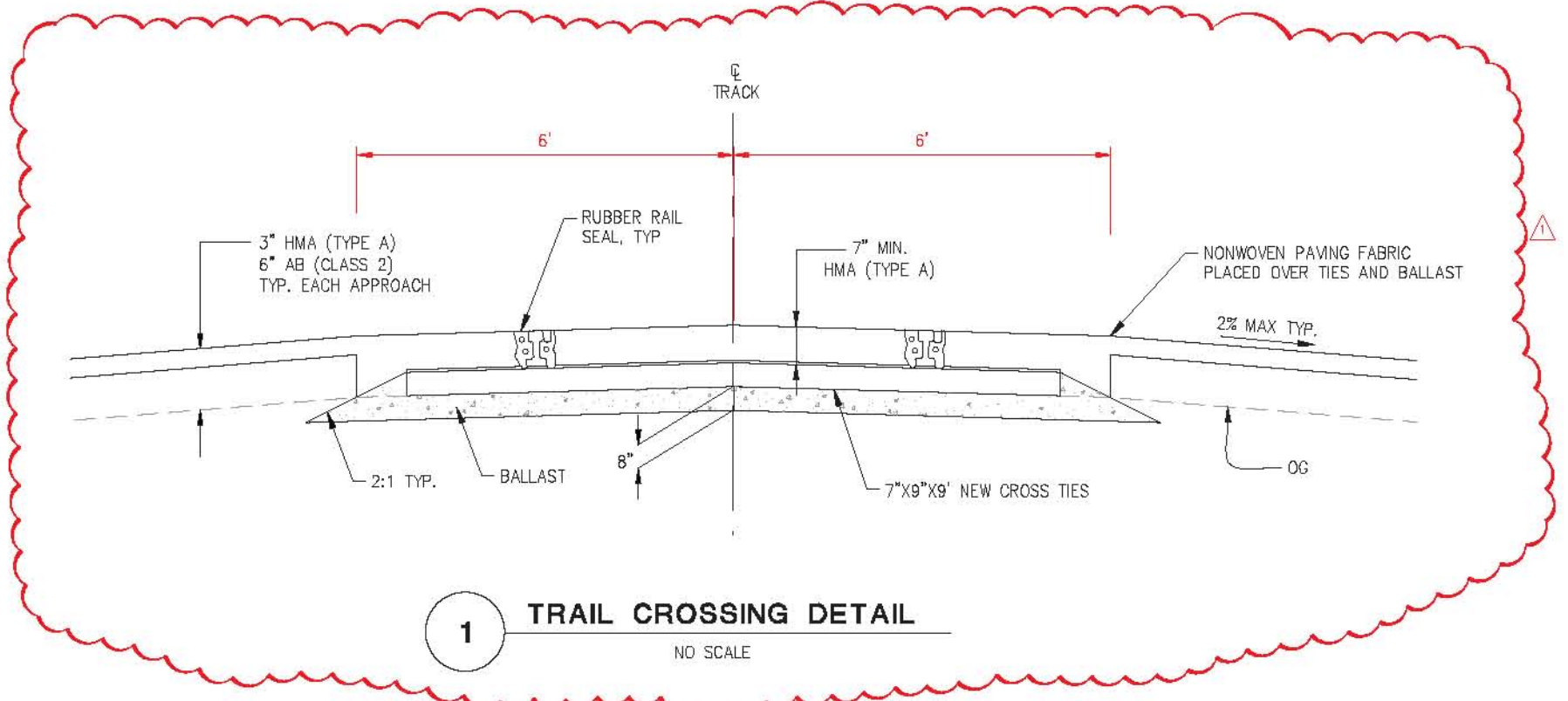
COUNTY OF EL DORADO
DEPARTMENT OF TRANSPORTATION

EL DORADO TRAIL EXTENSION
MISSOURI FLAT ROAD TO EL DORADO

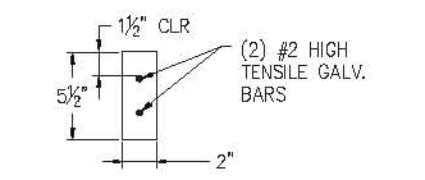
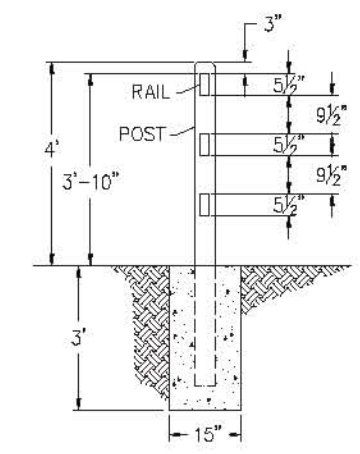
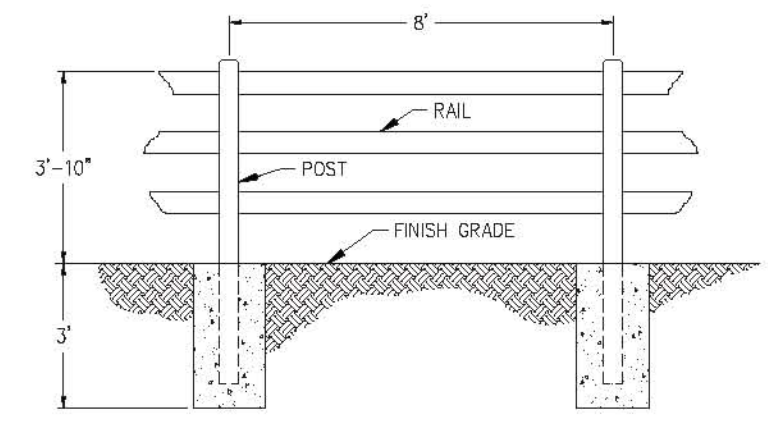
SHEET
C-3
34 OF 103
W.C. No. 97014

19-0627 A 22 of 37

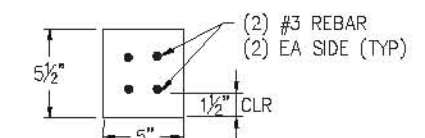
ORIGINAL SCALE IS IN INCHES
 Drawing name: C:\Civil 3D Projects\97014 El Dorado Trail - Missouri Flat Rd to El Dorado Rd\CADD Files\Sheets\C Sheets.dwg Layout Tab: C-4 Mar 28, 2019 - 11:59am Alkguyen
 FOR REDUCED PLANS



1 TRAIL CROSSING DETAIL
NO SCALE

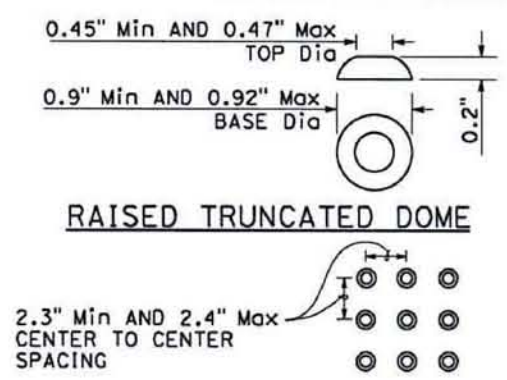


RAIL SECTION
NOT TO SCALE

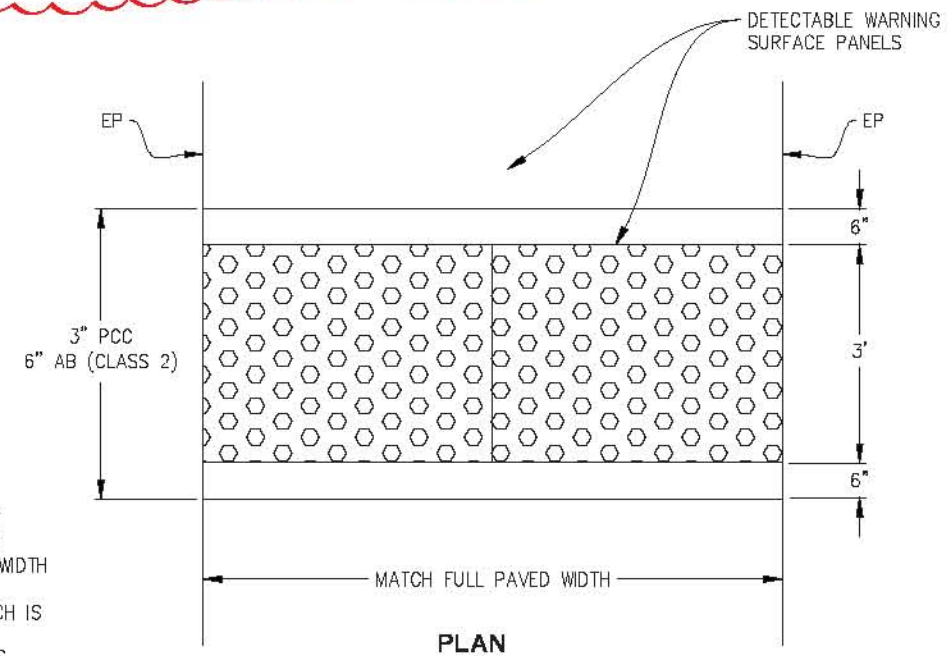
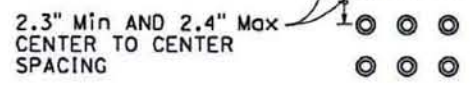


LINE POST
NOT TO SCALE

2 SIMULATED WOOD FENCE DETAIL
NO SCALE



RAISED TRUNCATED DOME



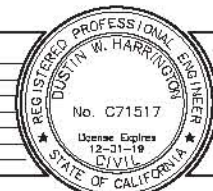
PLAN
NOT TO SCALE

3 DETECTABLE WARNING SURFACE
NO SCALE

NOTES:
 THE DETECTABLE WARNING SURFACE WILL BE A RECTANGLE AS SHOWN AT BACK OF CURB, UNLESS MODIFIED IN THE PROJECT PLANS. CURB RAMPS SHALL HAVE A DETECTABLE WARNING SURFACE THAT EXTENDS THE FULL WIDTH AND 3'-0" DEPTH OF THE RAMP. DETECTABLE WARNING SURFACE SHALL EXTEND THE FULL WIDTH OF THE RAMP EXCEPT A MAXIMUM GAP OF 1 INCH IS ALLOWED ON EACH SIDE OF THE RAMP. DETECTABLE WARNING SURFACE SHALL CONFORM TO THE REQUIREMENTS IN THE STANDARD SPECIFICATIONS.

CONSTRUCTION DETAILS
SCALE : 1" = 5'

REVISION	NUMBER	DATE	DESCRIPTION	BY
	3/28/2019	ADDENDUM #1		DH



PREPARED UNDER THE SUPERVISION OF:
[Signature]
 REGISTERED CIVIL ENGINEER
 DATE: 3/5/2019

DESIGNED: JUN AN
 DRAWN: AN
 CHECKED: DH
 DATE: 3/5/2019
 ROAD NUMBER: N/A



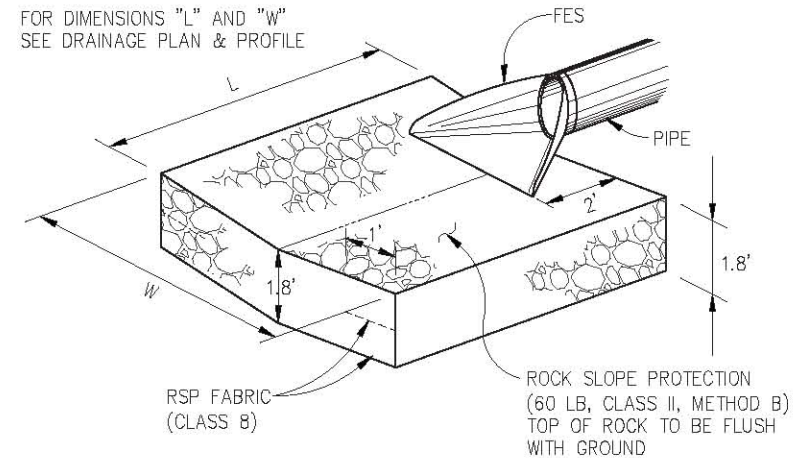
COUNTY OF EL DORADO
DEPARTMENT OF TRANSPORTATION

EL DORADO TRAIL EXTENSION
MISSOURI FLAT ROAD TO EL DORADO

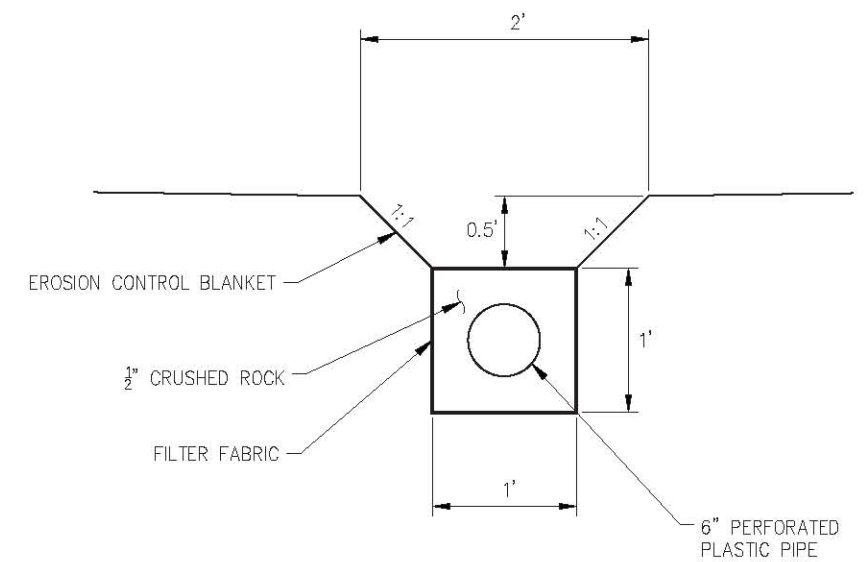
SHEET
C-4
35 OF 103
W.O. No. **97014**

19-0627 A 23 of 37

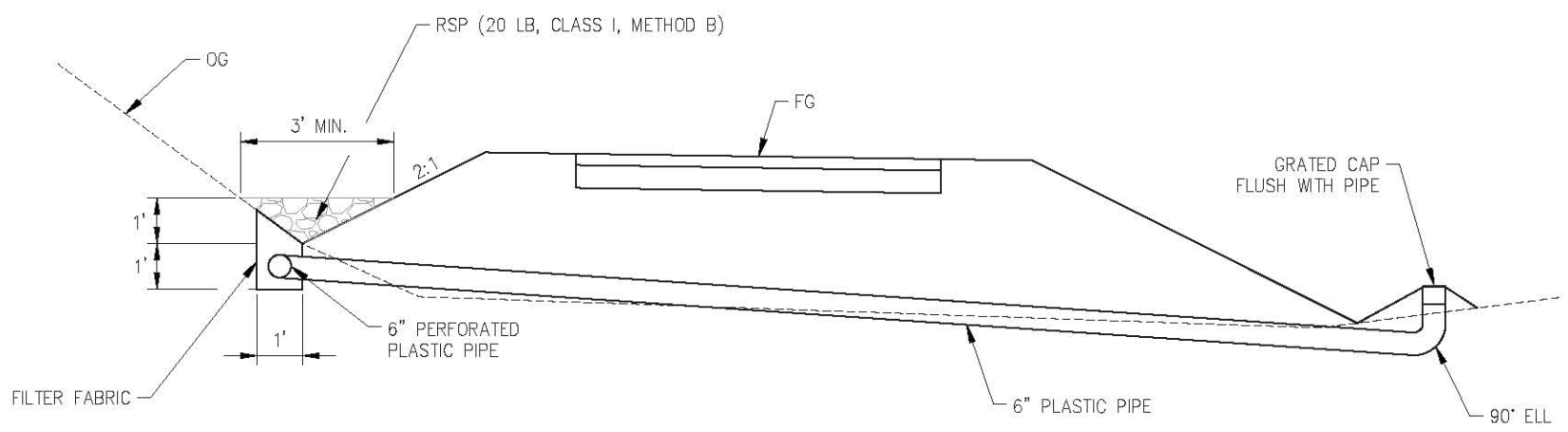
ORIGINAL SCALE IS IN INCHES
 Drawing name: C:\Civil 3D Projects\97014 El Dorado Trail - Missouri Flat Rd to El Dorado Rd\CADD Files\Sheets\0 Sheets.dwg
 Layout Tab: D-12 Mar 28, 2019 - 1:34pm Alkayem
 FOR REDUCED PLANS



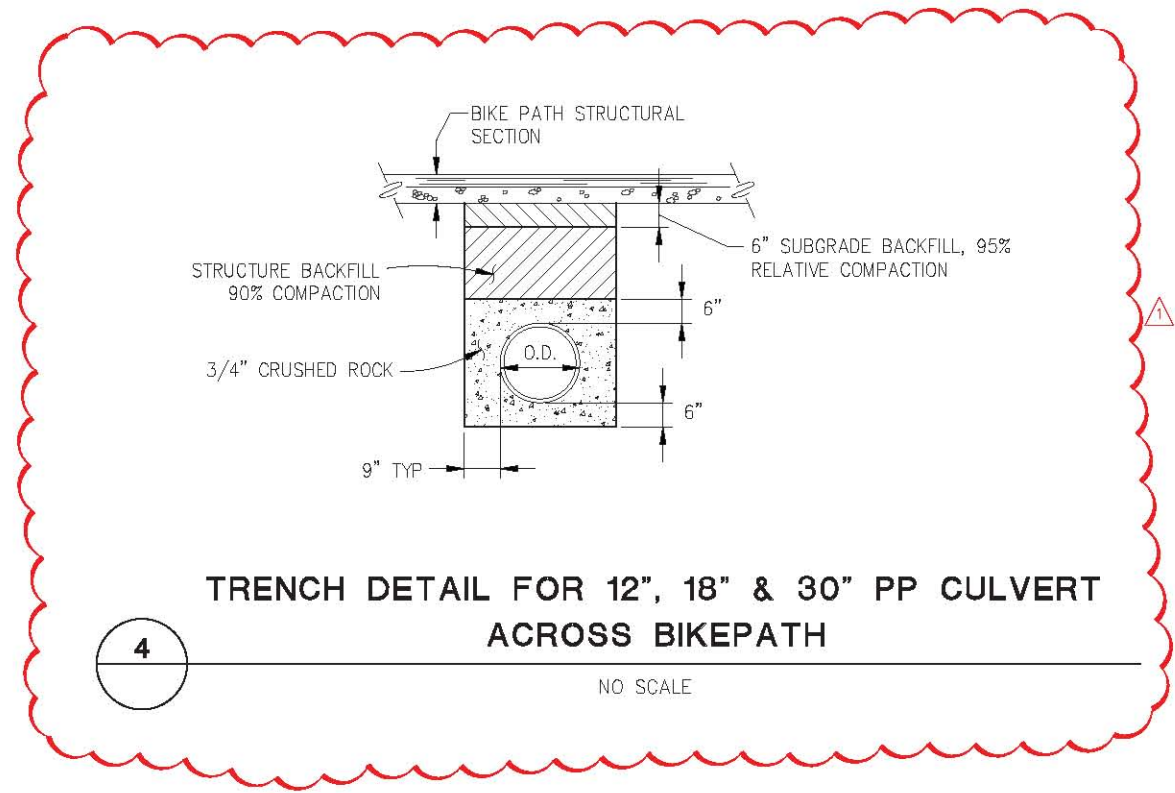
1 ROCK ENERGY DISSIPATOR
NO SCALE



2 TYPICAL DITCH DETAIL
NO SCALE



3 TYPICAL ROCK LINED V-DITCH DETAIL
NO SCALE



4 TRENCH DETAIL FOR 12", 18" & 30" PP CULVERT ACROSS BIKEPATH
NO SCALE

THIS SHEET ACCURATE FOR DRAINAGE WORK ONLY

DRAINAGE PLAN & PROFILE
DRAINAGE DETAILS
SCALE : AS SHOWN

REVISION	NUMBER	DATE	DESCRIPTION	BY



PREPARED UNDER THE SUPERVISION OF :
[Signature]
REGISTERED CIVIL ENGINEER
DATE: 3/5/2019

DESIGNED: JN
DRAWN: AN
CHECKED: DH
DATE: 3/5/2019
ROAD NUMBER: N/A



COUNTY OF EL DORADO
DEPARTMENT OF TRANSPORTATION

EL DORADO TRAIL EXTENSION
MISSOURI FLAT ROAD TO EL DORADO

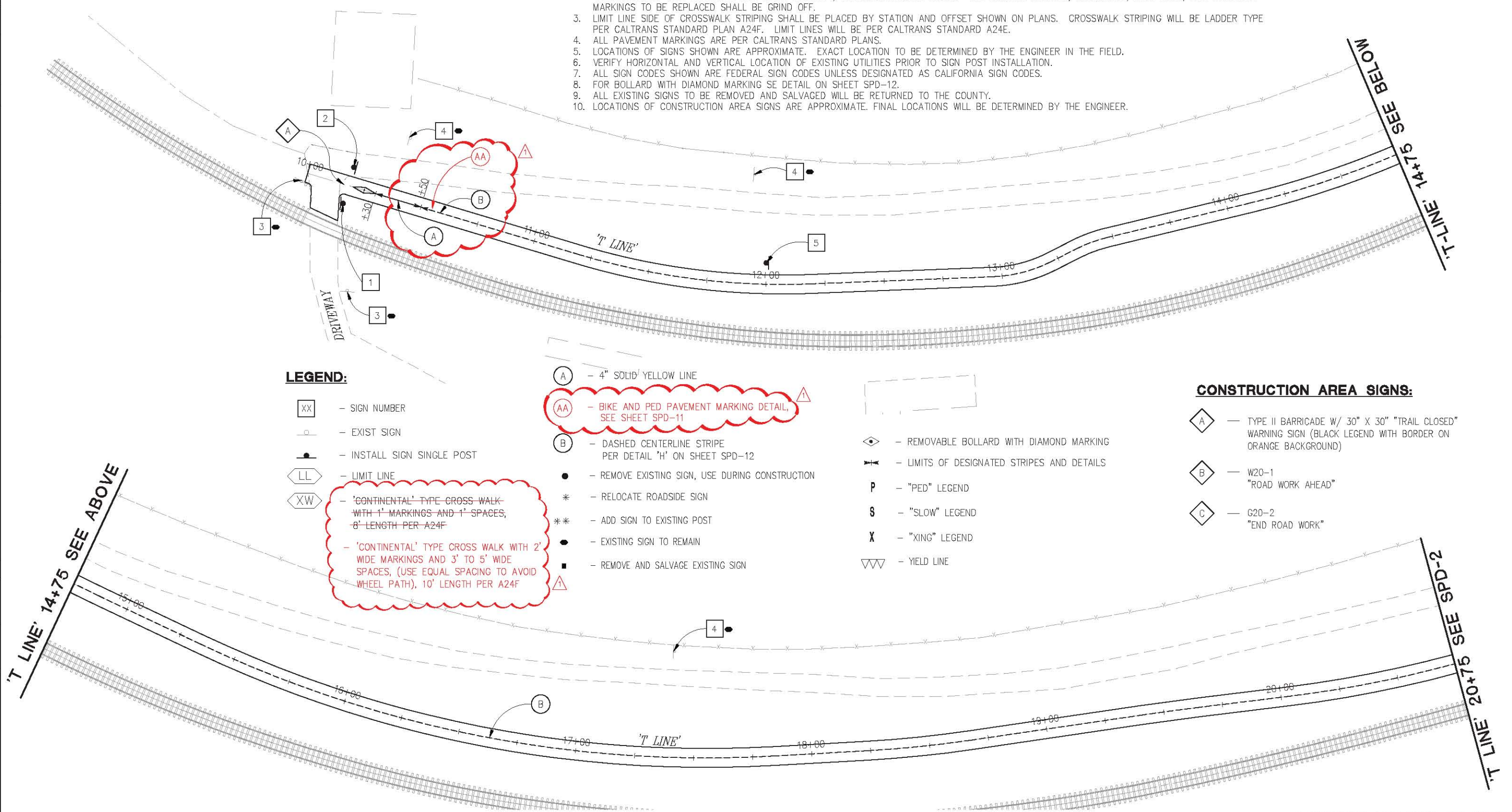
SHEET
D-12
49 OF 103
W.C. No. 97014

19-0627 A 24 of 37

ORIGINAL SCALE IS IN INCHES
 Drawing name: C:\Civil 3D Projects\97014 El Dorado Trail - Missouri Flat Rd to El Dorado Rd\CADD Sheets\SPD Sheets.dwg Layout Tab: SPD-1 Apr 02, 2019 - 5:02pm Aliyuan
 FOR REDUCED PLANS

CONSTRUCTION NOTES:

1. THIS PLAN IS ACCURATE FOR SIGNING AND PAVEMENT DELINEATION ONLY. SEE "SC" SHEETS FOR CONSTRUCTION AREA SIGNS AND ADDITIONAL EXISTING SIGN REMOVAL.
2. ALL STRIPING SHALL BE THERMOPLASTIC WITH ENHANCED WET-NIGHT VISIBILITY AND ALL PAVEMENT MARKINGS, CROSSWALKS, AND LIMIT LINES SHALL BE THERMOPLASTIC WITH ENHANCED WET-NIGHT VISIBILITY, UNLESS OTHERWISE NOTED. ALL EXISTING STRIPING, CROSSWALK, LIMIT LINES, AND PAVEMENT MARKINGS TO BE REPLACED SHALL BE GRIND OFF.
3. LIMIT LINE SIDE OF CROSSWALK STRIPING SHALL BE PLACED BY STATION AND OFFSET SHOWN ON PLANS. CROSSWALK STRIPING WILL BE LADDER TYPE PER CALTRANS STANDARD PLAN A24F. LIMIT LINES WILL BE PER CALTRANS STANDARD A24E.
4. ALL PAVEMENT MARKINGS ARE PER CALTRANS STANDARD PLANS.
5. LOCATIONS OF SIGNS SHOWN ARE APPROXIMATE. EXACT LOCATION TO BE DETERMINED BY THE ENGINEER IN THE FIELD.
6. VERIFY HORIZONTAL AND VERTICAL LOCATION OF EXISTING UTILITIES PRIOR TO SIGN POST INSTALLATION.
7. ALL SIGN CODES SHOWN ARE FEDERAL SIGN CODES UNLESS DESIGNATED AS CALIFORNIA SIGN CODES.
8. FOR BOLLARD WITH DIAMOND MARKING SE DETAIL ON SHEET SPD-12.
9. ALL EXISTING SIGNS TO BE REMOVED AND SALVAGED WILL BE RETURNED TO THE COUNTY.
10. LOCATIONS OF CONSTRUCTION AREA SIGNS ARE APPROXIMATE. FINAL LOCATIONS WILL BE DETERMINED BY THE ENGINEER.



LEGEND:

- XX - SIGN NUMBER
- - EXIST SIGN
- - INSTALL SIGN SINGLE POST
- LL - LIMIT LINE
- XW - 'CONTINENTAL' TYPE CROSS WALK WITH 1' MARKINGS AND 1' SPACES, 8' LENGTH PER A24F
- XW - 'CONTINENTAL' TYPE CROSS WALK WITH 2' WIDE MARKINGS AND 3' TO 5' WIDE SPACES, (USE EQUAL SPACING TO AVOID WHEEL PATH), 10' LENGTH PER A24F

- (A) - 4" SOLID YELLOW LINE
- (AA) - BIKE AND PED PAVEMENT MARKING DETAIL, SEE SHEET SPD-11
- (B) - DASHED CENTERLINE STRIPE PER DETAIL 'H' ON SHEET SPD-12
- - REMOVE EXISTING SIGN, USE DURING CONSTRUCTION
- * - RELOCATE ROADSIDE SIGN
- ** - ADD SIGN TO EXISTING POST
- - EXISTING SIGN TO REMAIN
- - REMOVE AND SALVAGE EXISTING SIGN

- ◇ - REMOVABLE BOLLARD WITH DIAMOND MARKING
- ⚡ - LIMITS OF DESIGNATED STRIPES AND DETAILS
- P - "PED" LEGEND
- S - "SLOW" LEGEND
- X - "XING" LEGEND
- ▽▽ - YIELD LINE

CONSTRUCTION AREA SIGNS:

- ◇ A - TYPE II BARRICADE W/ 30" X 30" "TRAIL CLOSED" WARNING SIGN (BLACK LEGEND WITH BORDER ON ORANGE BACKGROUND)
- ◇ B - W20-1 "ROAD WORK AHEAD"
- ◇ C - G20-2 "END ROAD WORK"

THIS SHEET ACCURATE FOR SIGNING AND PAVEMENT DELINEATION WORK ONLY

PAVEMENT AND SIGN DELINEATION
SCALE : 1" = 20'

REVISION	NUMBER	DATE	DESCRIPTION	BY
△	4/1/2019	ADDENDUM #1		DH



PREPARED UNDER THE SUPERVISION OF:

 REGISTERED CIVIL ENGINEER
 DATE: 3/5/2019

DESIGNED: JUN AN
 CHECKED: DH
 DATE: 3/5/2019
 ROAD NUMBER: N/A



COUNTY OF EL DORADO
DEPARTMENT OF TRANSPORTATION

EL DORADO TRAIL EXTENSION
MISSOURI FLAT ROAD TO EL DORADO

SHEET
SPD-1
62 OF 103
W.C. No. 97014

19-0627 A 25 of 37

REVISION	
NUMBER	DATE
1	4/1/2019
ADDENDUM #1	
DH	

THIS SHEET ACCURATE FOR SIGNING AND PAVEMENT DELINEATION WORK ONLY

PAVEMENT AND SIGN DELINEATION SCALE : 1" = 20'



PREPARED UNDER THE SUPERVISION OF:
 REGISTERED CIVIL ENGINEER
 DATE: 3/5/2019

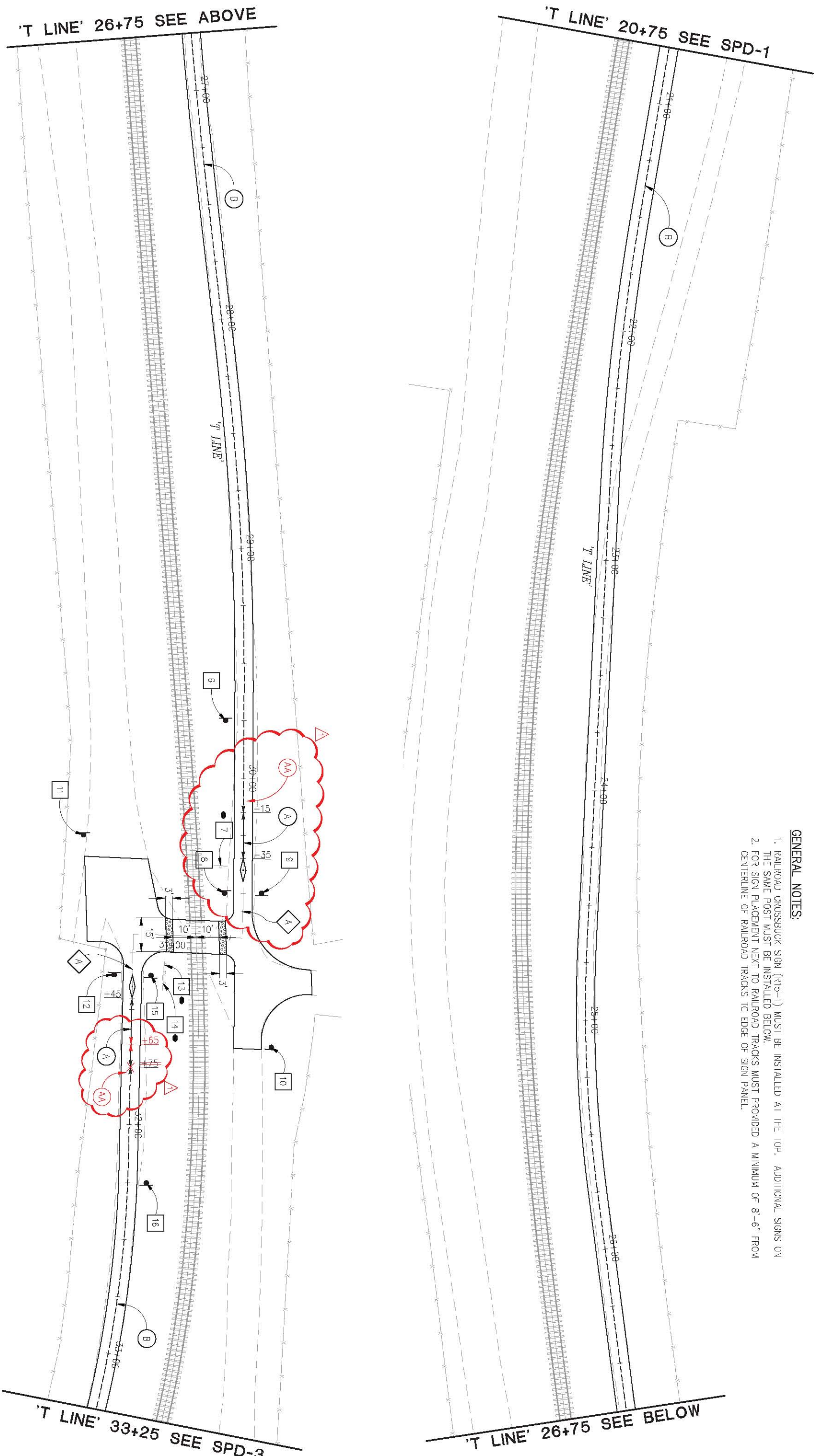
DESIGNER: JUN AN
 CHECKED: DH
 DATE: 3/5/2019
 ROAD NUMBER: N/A



COUNTY OF EL DORADO
 DEPARTMENT OF TRANSPORTATION

EL DORADO TRAIL EXTENSION
 MISSOURI FLAT ROAD TO EL DORADO

SHEET
 SPD-2
 63 OF 103
 W.O. No. 97014



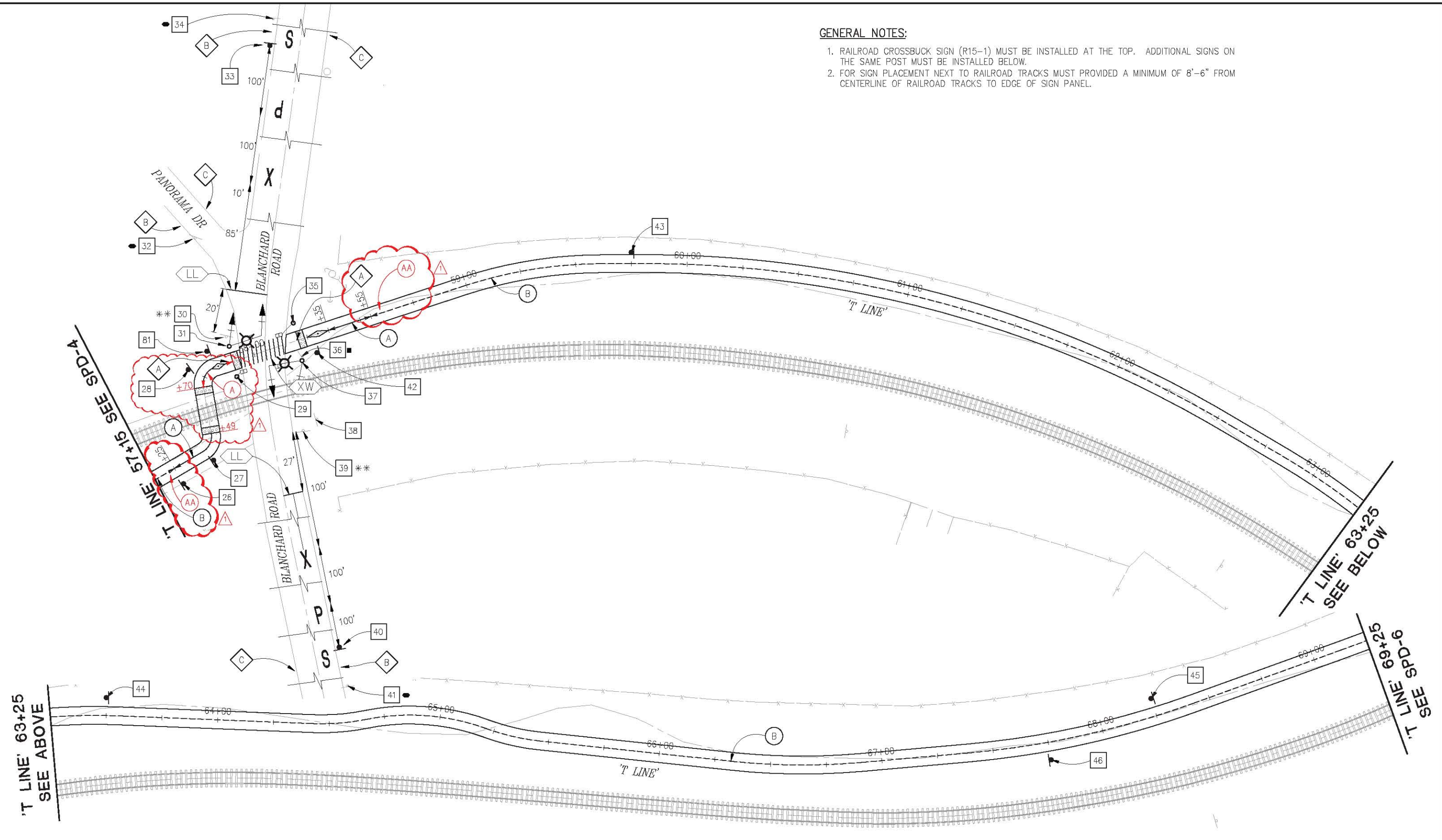
GENERAL NOTES:

1. RAILROAD CROSSBUCK SIGN (R15-1) MUST BE INSTALLED AT THE TOP. ADDITIONAL SIGNS ON THE SAME POST MUST BE INSTALLED BELOW.
2. FOR SIGN PLACEMENT NEXT TO RAILROAD TRACKS MUST PROVIDED A MINIMUM OF 8'-6" FROM CENTERLINE OF RAILROAD TRACKS TO EDGE OF SIGN PANEL.

ORIGINAL SCALE IS IN INCHES
 Drawing name: C:\Civil 3D Projects\97014 El Dorado Trail - Missouri Flat Rd to El Dorado Rd\CADD Files\Sheets\SPD Sheets.dwg Layout Tab: SPD-5 Apr 01, 2019 - 4:19pm Allguyen
 FOR REDUCED PLANS

GENERAL NOTES:

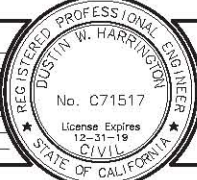
1. RAILROAD CROSSBUCK SIGN (R15-1) MUST BE INSTALLED AT THE TOP. ADDITIONAL SIGNS ON THE SAME POST MUST BE INSTALLED BELOW.
2. FOR SIGN PLACEMENT NEXT TO RAILROAD TRACKS MUST PROVIDED A MINIMUM OF 8'-6" FROM CENTERLINE OF RAILROAD TRACKS TO EDGE OF SIGN PANEL.



THIS SHEET ACCURATE FOR SIGNING AND PAVEMENT DELINEATION WORK ONLY

PAVEMENT AND SIGN DELINEATION
SCALE : 1" = 20'

REVISION	NUMBER	DATE	DESCRIPTION	BY
	1	4/1/2019	ADDENDUM #1	DH



PREPARED UNDER THE SUPERVISION OF:
Justin W. Harrington
 REGISTERED CIVIL ENGINEER
 DATE: 3/5/2019

DESIGNED: JN
 DRAWN: AN
 CHECKED: DH
 DATE: 3/5/2019
 ROAD NUMBER: N/A



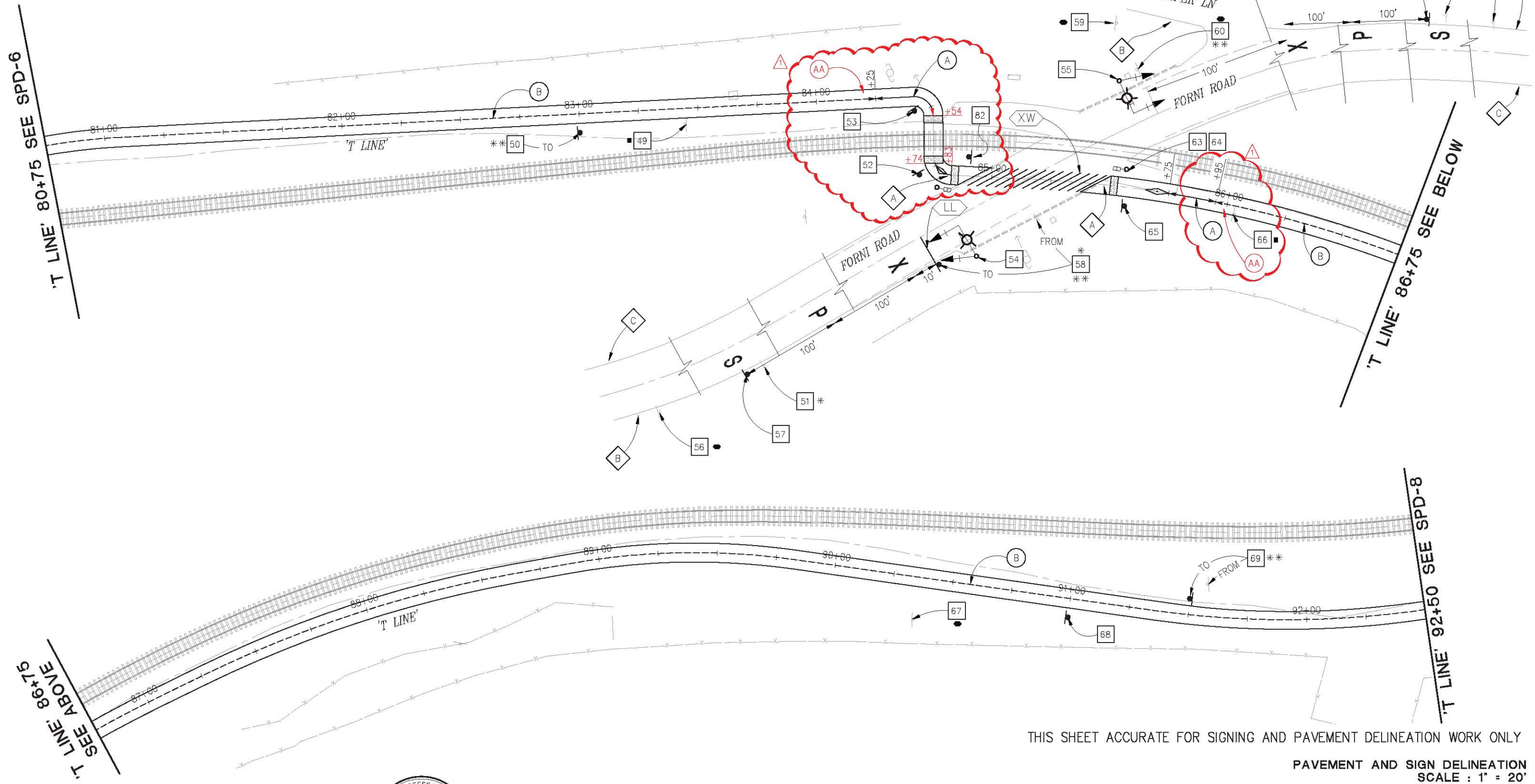
COUNTY OF EL DORADO
 DEPARTMENT OF TRANSPORTATION

EL DORADO TRAIL EXTENSION
 MISSOURI FLAT ROAD TO EL DORADO

ORIGINAL SCALE IS IN INCHES
 Drawing name: C:\Civil 3D Projects\97014 El Dorado Trail - Missouri Flat Rd to El Dorado Rd\CADD Files\Sheets\SPD Sheets.dwg Layout Tab: SPD-7 Apr 01, 2019 - 4:10pm Allguyen



GENERAL NOTES:

1. RAILROAD CROSSBUCK SIGN (R15-1) MUST BE INSTALLED AT THE TOP. ADDITIONAL SIGNS ON THE SAME POST MUST BE INSTALLED BELOW.
2. FOR SIGN PLACEMENT NEXT TO RAILROAD TRACKS MUST PROVIDED A MINIMUM OF 8'-6" FROM CENTERLINE OF RAILROAD TRACKS TO EDGE OF SIGN PANEL.

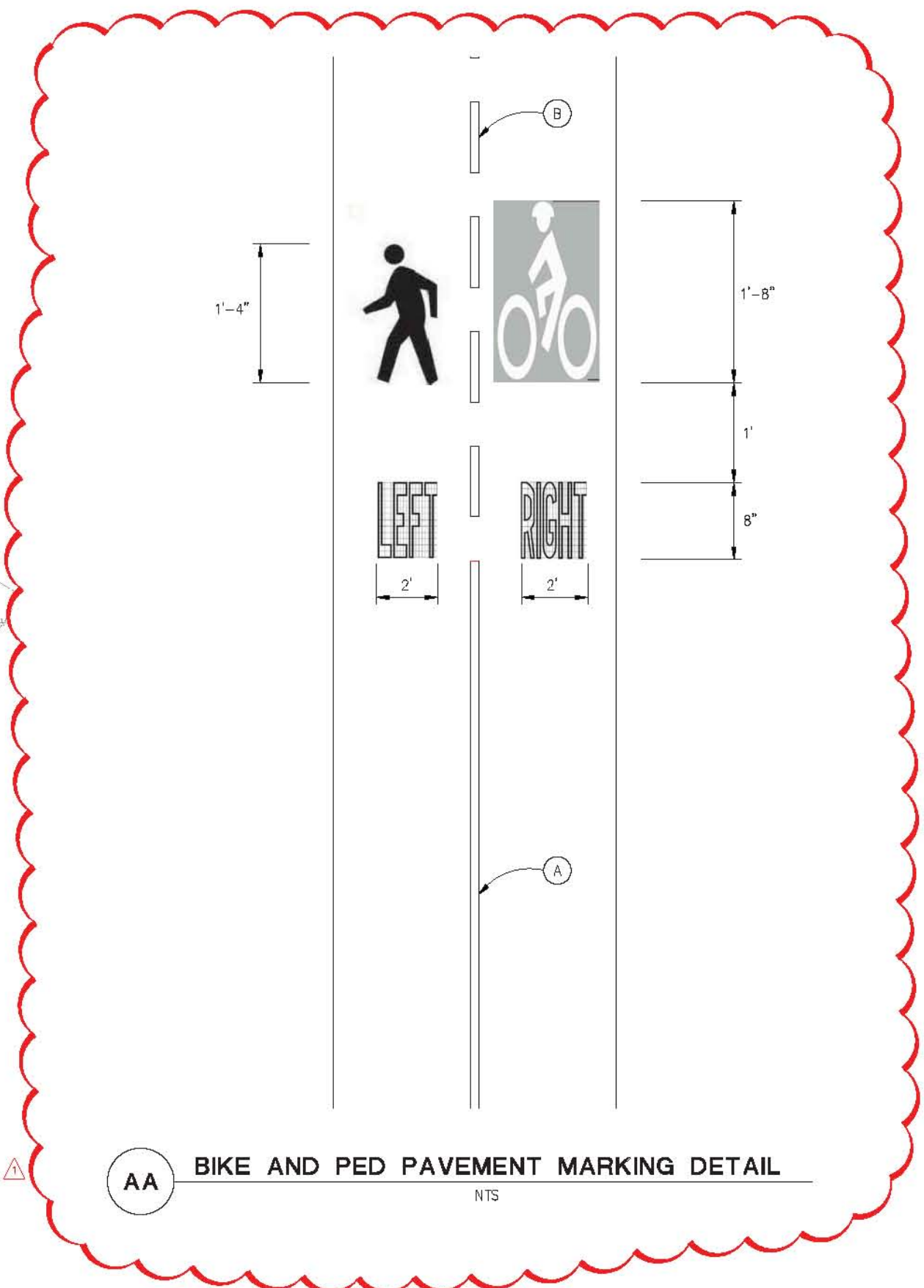
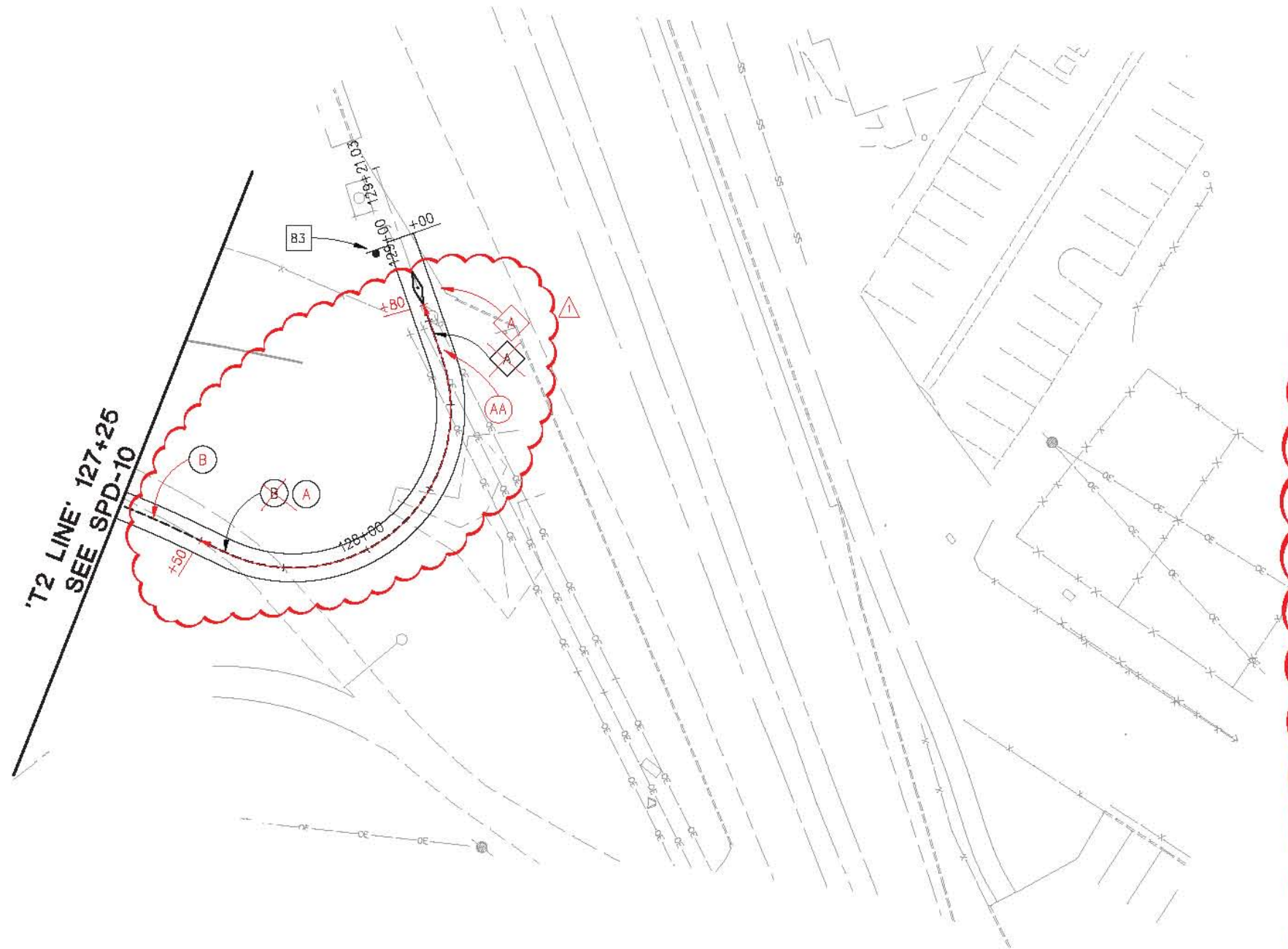


THIS SHEET ACCURATE FOR SIGNING AND PAVEMENT DELINEATION WORK ONLY

PAVEMENT AND SIGN DELINEATION
 SCALE : 1" = 20'

REVISION NUMBER DATE DESCRIPTION BY	4/1/2019 ADDENDUM #1 DH	 <p>REGISTERED CIVIL ENGINEER 3/5/2019</p>	DESIGNED: JN DRAWN: AN CHECKED: DH DATE: 3/5/2019 ROAD NUMBER: N/A	 <p>COUNTY OF EL DORADO DEPARTMENT OF TRANSPORTATION</p>	<p>EL DORADO TRAIL EXTENSION MISSOURI FLAT ROAD TO EL DORADO</p> <p>19-0627 A 28 of 37</p>	SHEET SPD-7 68 OF 103 W.C. No. 97014
---	-------------------------------	---	--	---	--	--

ORIGINAL SCALE IS IN INCHES
 Drawing name: C:\Civil 3D Projects\97014 El Dorado Trail - Missouri Flat Rd to El Dorado Rd\CADD Files\SPD Sheets.dwg Layout Tab: SPD-11 Apr 01, 2019 - 5:22pm Alkguyen
 FOR REDUCED PLANS



AA BIKE AND PED PAVEMENT MARKING DETAIL
 NTS

THIS SHEET ACCURATE FOR SIGNING AND PAVEMENT DELINEATION WORK ONLY

PAVEMENT AND SIGN DELINEATION
 SCALE : 1" = 20'

REVISION	NUMBER	DATE	DESCRIPTION	BY
	1	4/1/2019	ADDENDUM #1	DH



PREPARED UNDER THE SUPERVISION OF:
Dustin W. Harrington
 REGISTERED CIVIL ENGINEER
 DATE: 3/5/2019

DESIGNED: JUN AN
 CHECKED: DH
 DATE: 3/5/2019
 ROAD NUMBER: N/A



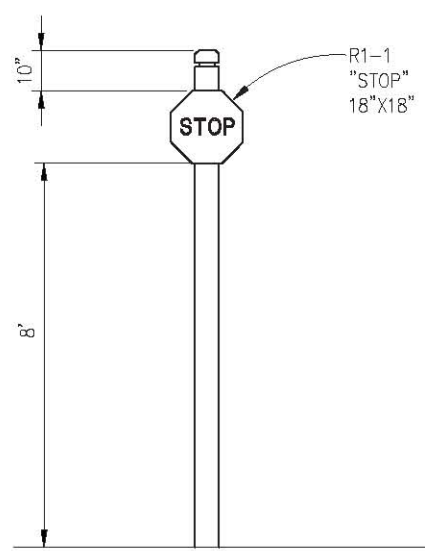
COUNTY OF EL DORADO
 DEPARTMENT OF TRANSPORTATION

EL DORADO TRAIL EXTENSION
 MISSOURI FLAT ROAD TO EL DORADO

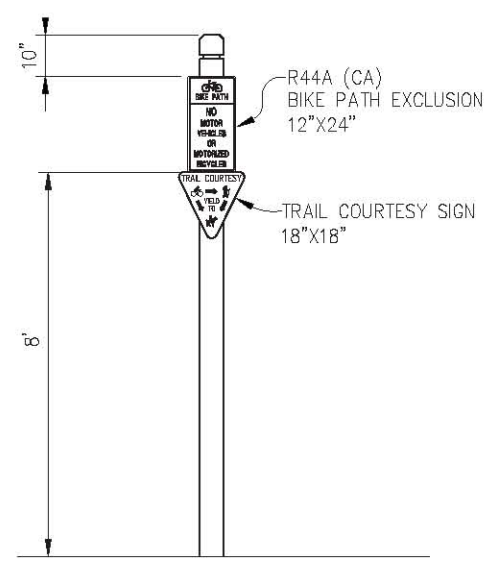
19-0627 A 29 of 37

SHEET
SPD-11
 72 of 103
 W.D. No. 97014

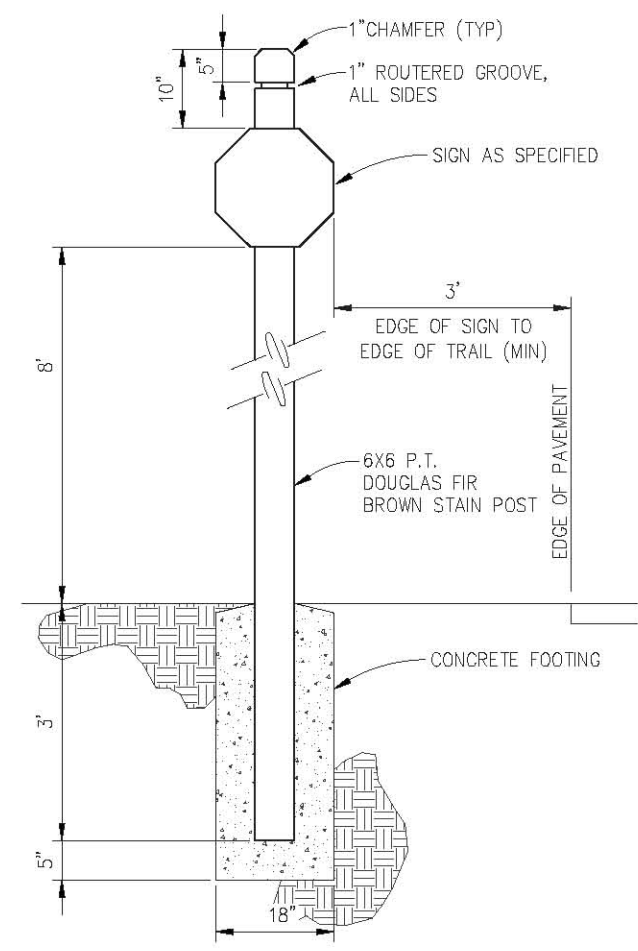
ORIGINAL SCALE IS IN INCHES
 Drawing name: C:\Civil 3D\Projects\97014 El Dorado Trail - Missouri Flat Rd to El Dorado Rd\CADD_Files\Sheets\SPD_Sheets.dwg Layout Tab: SPD-12 Apr 01 2019 - 3:10pm Altquyen



A **PATHWAY STOP SIGN**
NTS



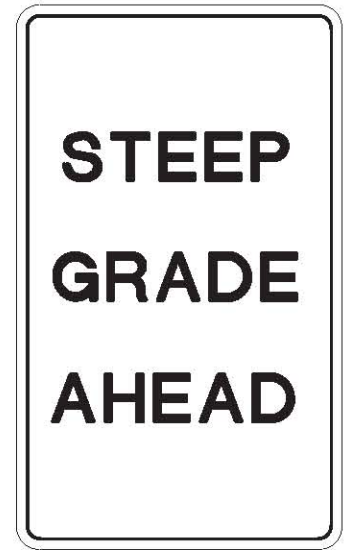
B **PATHWAY DESIGNATION SIGNING**
NTS



C **SIGN POST DETAIL**
NTS

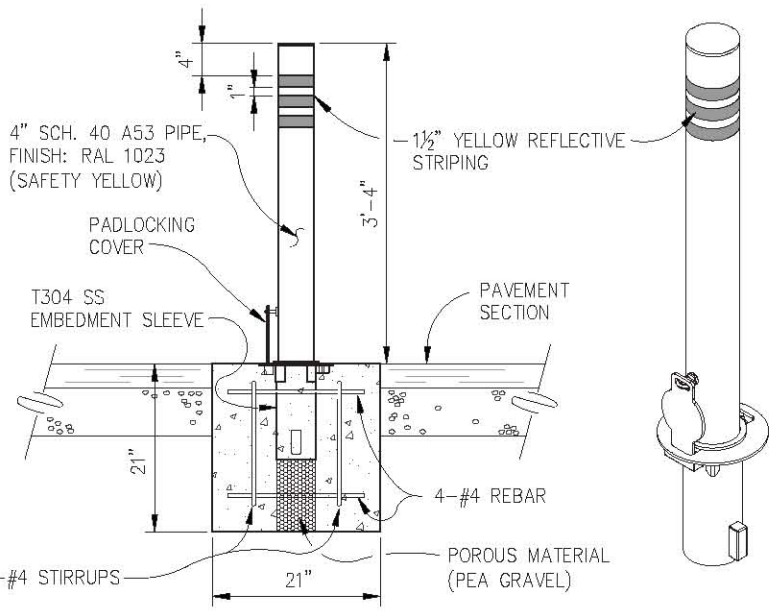


PRIVATE RR CROSSING

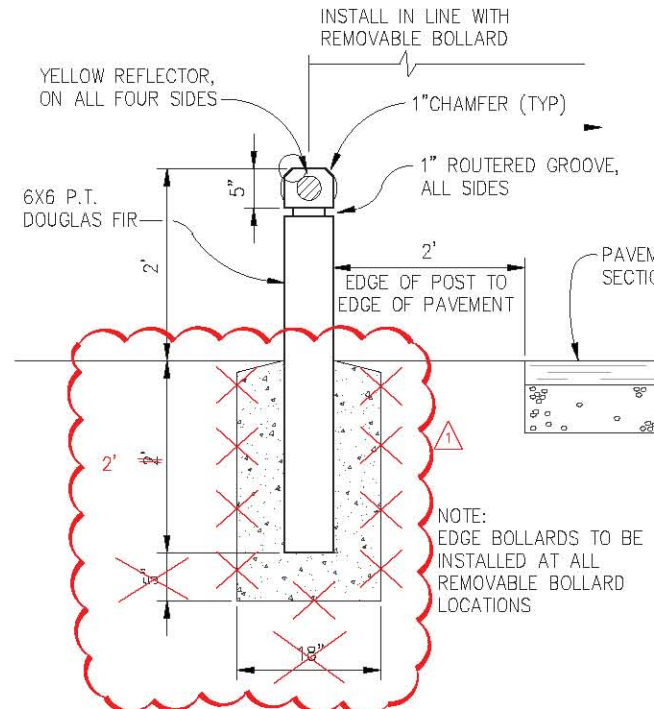


STEEP GRADE AHEAD

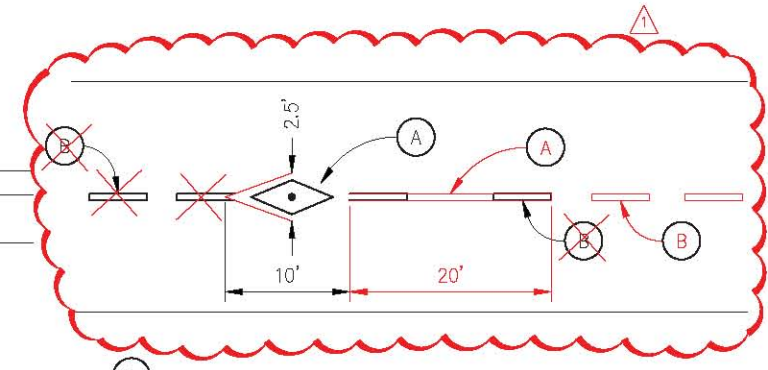
D **SIGN DETAIL**
NTS
NOTE: SIGN PANELS 12"x18", BLACK LETTERING AND BORDER ON WHITE BACKGROUND



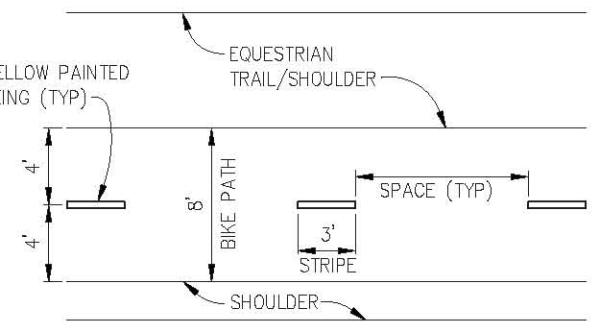
E **REMOVABLE BOLLARD DETAIL**
NTS



F **EDGE BOLLARD DETAIL**
NTS
NOTE: EDGE BOLLARDS TO BE INSTALLED AT ALL REMOVABLE BOLLARD LOCATIONS



G **DIAMOND PAVEMENT MARKINGS DETAIL**
NTS
A - 4" SOLID YELLOW LINE
B - DASHED CENTERLINE STRIPE

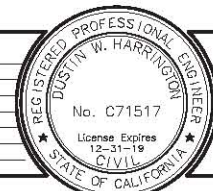


H **DASHED CENTERLINE STRIPING DETAIL**
NTS
DASHED CENTERLINE STRIPING LIMITS:
'ET' 10+95 TO 'ET' 35+25
'ET' 36+11 TO 'ET' 65+40

THIS SHEET ACCURATE FOR SIGNING AND PAVEMENT DELINEATION WORK ONLY

SIGNING DETAILS
SCALE : 1" = 20"

REVISION	NUMBER	DATE	DESCRIPTION	BY
Δ	4/1/2019	ADDENDUM #1		DH



PREPARED UNDER THE SUPERVISION OF:
 [Signature]
 REGISTERED CIVIL ENGINEER
 DATE: 3/5/2019

DESIGNED: JN AN
 DRAWN: AN
 CHECKED: DH
 DATE: 3/5/2019
 ROAD NUMBER: N/A



COUNTY OF EL DORADO
DEPARTMENT OF TRANSPORTATION

EL DORADO TRAIL EXTENSION
MISSOURI FLAT ROAD TO EL DORADO

SHEET
SPD-12
 73 OF 103
 W.C. No. 97014

19-0627 A 30 of 37

ORIGINAL SCALE IS IN INCHES
Drawing name: C:\Civil 3D\Projects\97014 El Dorado Trail - Missouri Flat Rd to El Dorado Rd\CADD\Files\Sheets\EC Sheets.dwg Layout Tab: EC-1 Apr 03, 2019 - 11:39am Allguyen

LEGEND:



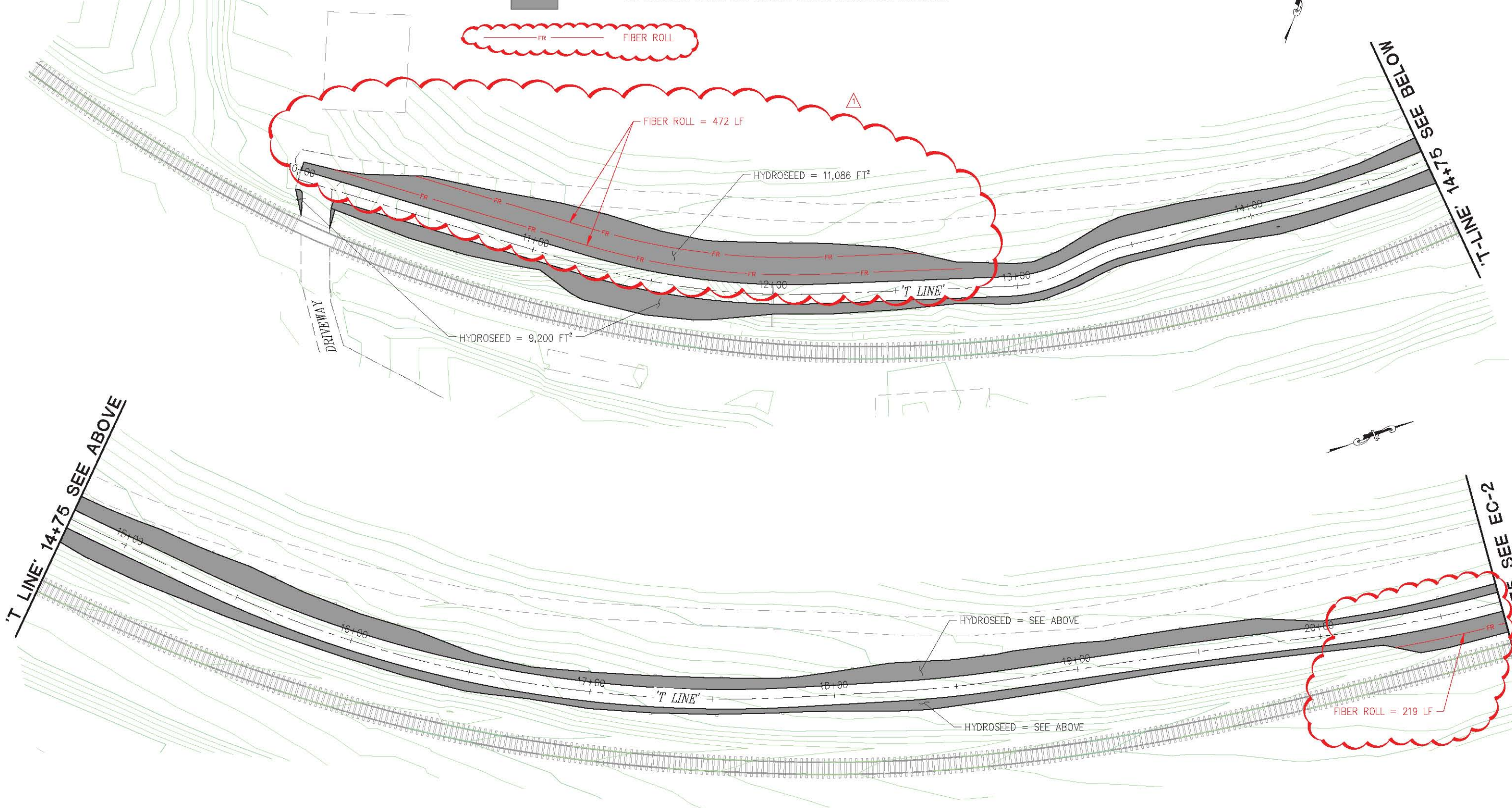
ALL DISTURBED AREAS AND EXPOSED SLOPES SHALL HAVE HYDROSEED



FIBER ROLL

'T LINE' 14+75 SEE ABOVE

'T LINE' 14+75 SEE BELOW



FOR REDUCED PLANS
0 1 2

REVISION	NUMBER	DATE	DESCRIPTION	BY
△	4/3/2019	ADDENDUM #1		DH



PREPARED UNDER THE SUPERVISION OF:
Dustin W. Harrington
REGISTERED CIVIL ENGINEER
DATE: 3/5/2019

DESIGNED: JN
DRAWN: AN
CHECKED: DH
DATE: 3/5/2019
ROAD NUMBER: N/A



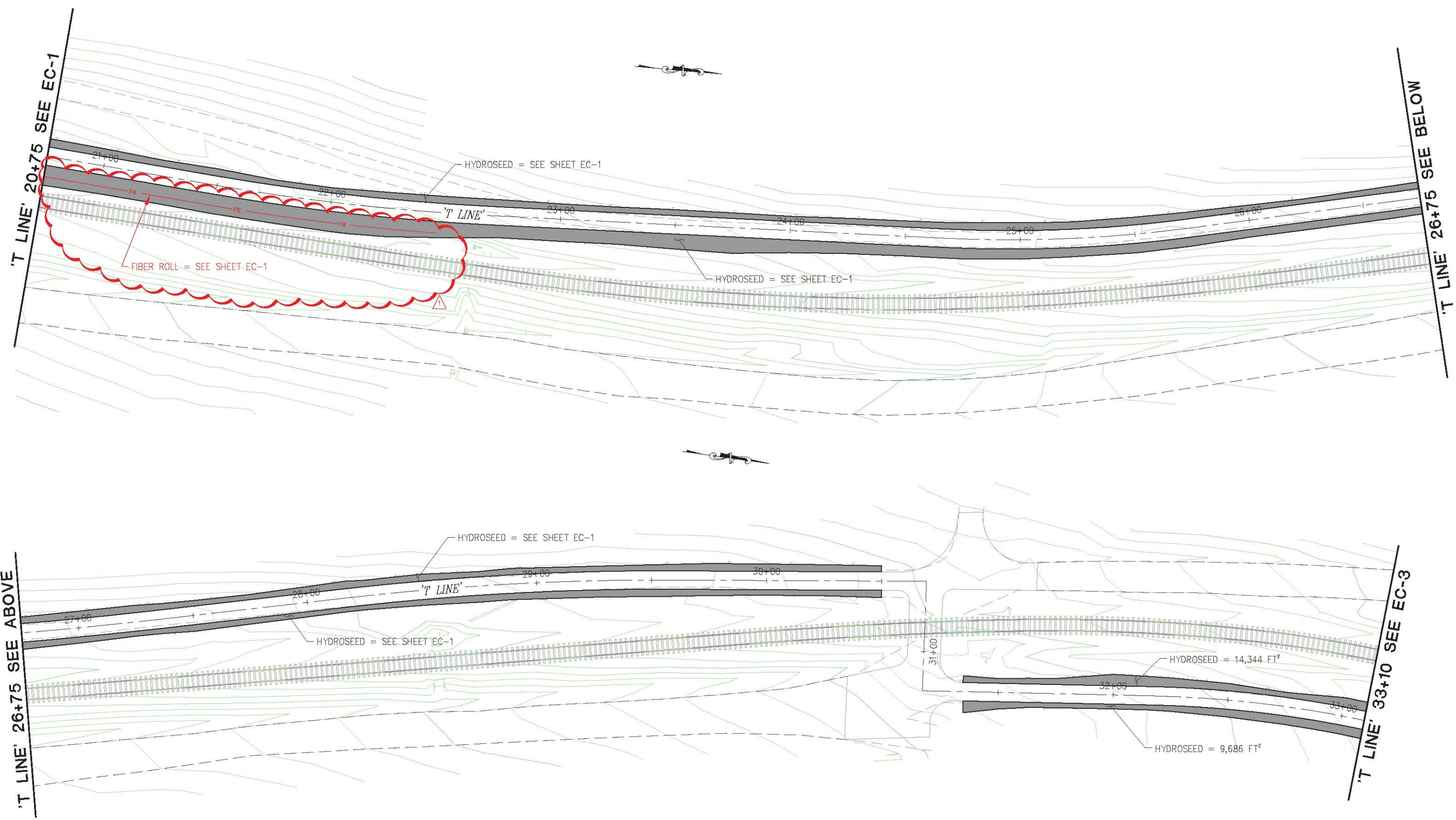
**COUNTY OF EL DORADO
DEPARTMENT OF TRANSPORTATION**

**EL DORADO TRAIL EXTENSION
MISSOURI FLAT ROAD TO EL DORADO**

19-0627 A 32 of 37

EROSION CONTROL
SCALE : 1" = 20'
SHEET
EC-1
89 OF 103
W.C. No. 97014

FOR REDUCED PLANS
 ORIGINAL SCALE IS IN INCHES
 Drawing name: C:\Civil 3D\Projects\97014 El Dorado Trail - Missouri Flat Rd to El Dorado Rd\CADD Files\Sheets\EC Sheets.dwg Layout Tab: EC-2 Apr 03, 2019 - 9:37am Allguyen



2
1
0

REVISION	NUMBER	DATE	DESCRIPTION	BY
	4/3/2019	ADDENDUM #1		DH



PREPARED UNDER THE SUPERVISION OF:

 REGISTERED CIVIL ENGINEER
 DATE: 3/5/2019

DESIGNED: JN
 DRAWN: AN
 CHECKED: DH
 DATE: 3/5/2019
 ROAD NUMBER: N/A



COUNTY OF EL DORADO
 DEPARTMENT OF TRANSPORTATION

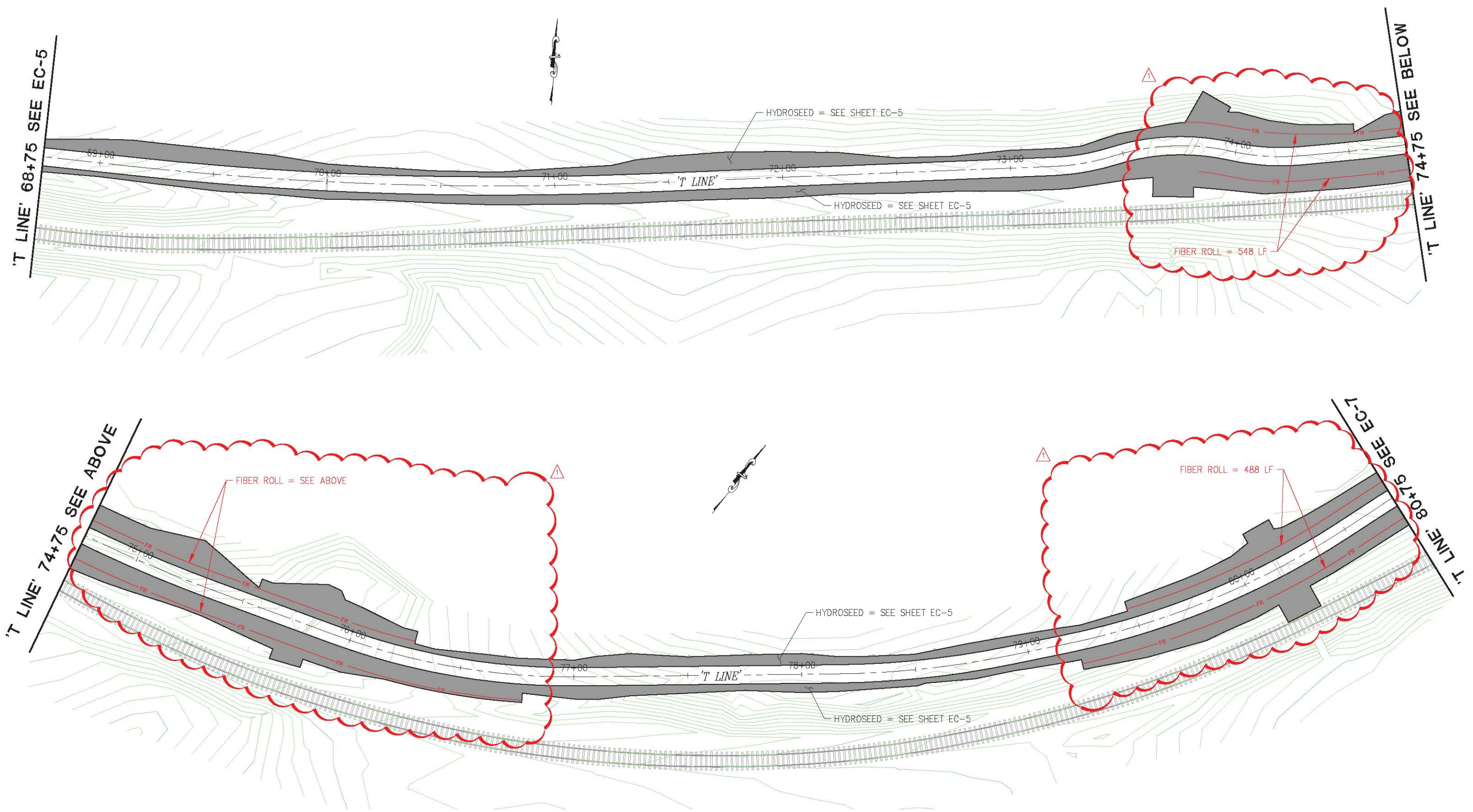
EL DORADO TRAIL EXTENSION
 MISSOURI FLAT ROAD TO EL DORADO

SHEET
EC-2
 90 OF 103
 W.C. No. 97014

EROSION CONTROL
 SCALE : 1" = 20'

19-0627 A 33 of 37

ORIGINAL SCALE IS IN INCHES
 Drawing name: C:\Civil 3D\Projects\97014 El Dorado Trail - Missouri Flat Rd to El Dorado Rd\CADD Files\Sheets\EC Sheets.dwg Layout Tab: EC-6 Apr 03, 2019 - 11:44am Alkuyen



FOR REDUCED PLANS
 0 1 2

REVISION	NUMBER	DATE	DESCRIPTION	BY
△	4/3/2019	ADDENDUM #1		DH



PREPARED UNDER THE SUPERVISION OF:

 REGISTERED CIVIL ENGINEER
 DATE: 3/5/2019

DESIGNED: JN
 DRAWN: AN
 CHECKED: DH
 DATE: 3/5/2019
 ROAD NUMBER: N/A



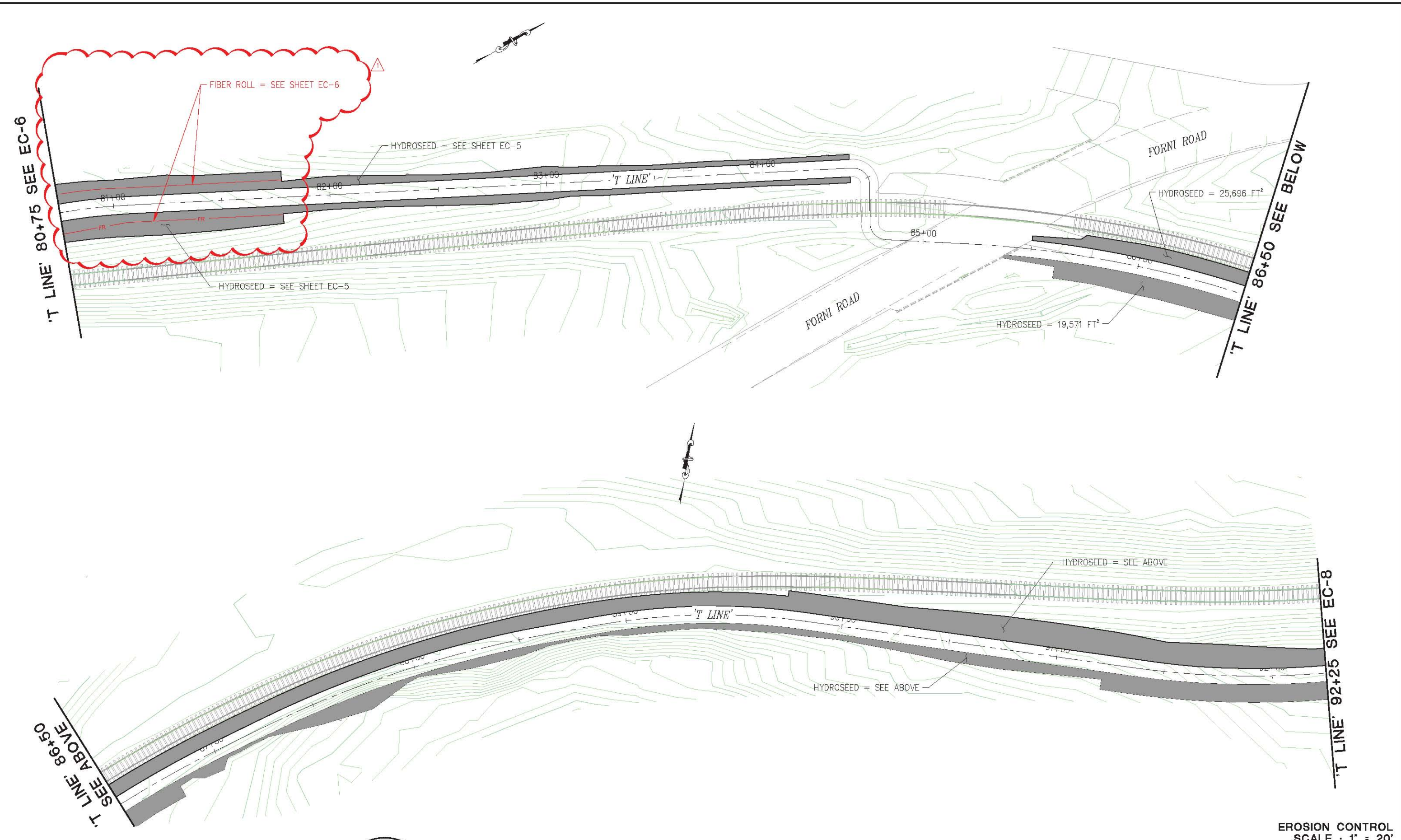
COUNTY OF EL DORADO
 DEPARTMENT OF TRANSPORTATION

EL DORADO TRAIL EXTENSION
 MISSOURI FLAT ROAD TO EL DORADO
 19-0627 A 34 of 37

SHEET
EC-6
 94 OF 103
 W.G. No. 97014

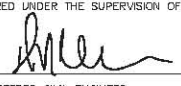
EROSION CONTROL
 SCALE : 1" = 20'

ORIGINAL SCALE IS IN INCHES
 Drawing name: C:\Civil 3D\Projects\97014 El Dorado Trail - Missouri Flat Rd to El Dorado Rd\CADD\Files\Sheets\EC-Sheets.dwg Layout Tab: EC-7 Apr 03, 2019 - 9:43am Allguyen



REVISION	NUMBER	DATE	DESCRIPTION	BY
△	4/3/2019	ADDENDUM #1		DH



PREPARED UNDER THE SUPERVISION OF:

 REGISTERED CIVIL ENGINEER
 DATE: 3/5/2019

DESIGNED: JN
 DRAWN: AN
 CHECKED: DH
 DATE: 3/5/2019
 ROAD NUMBER: N/A



COUNTY OF EL DORADO
 DEPARTMENT OF TRANSPORTATION

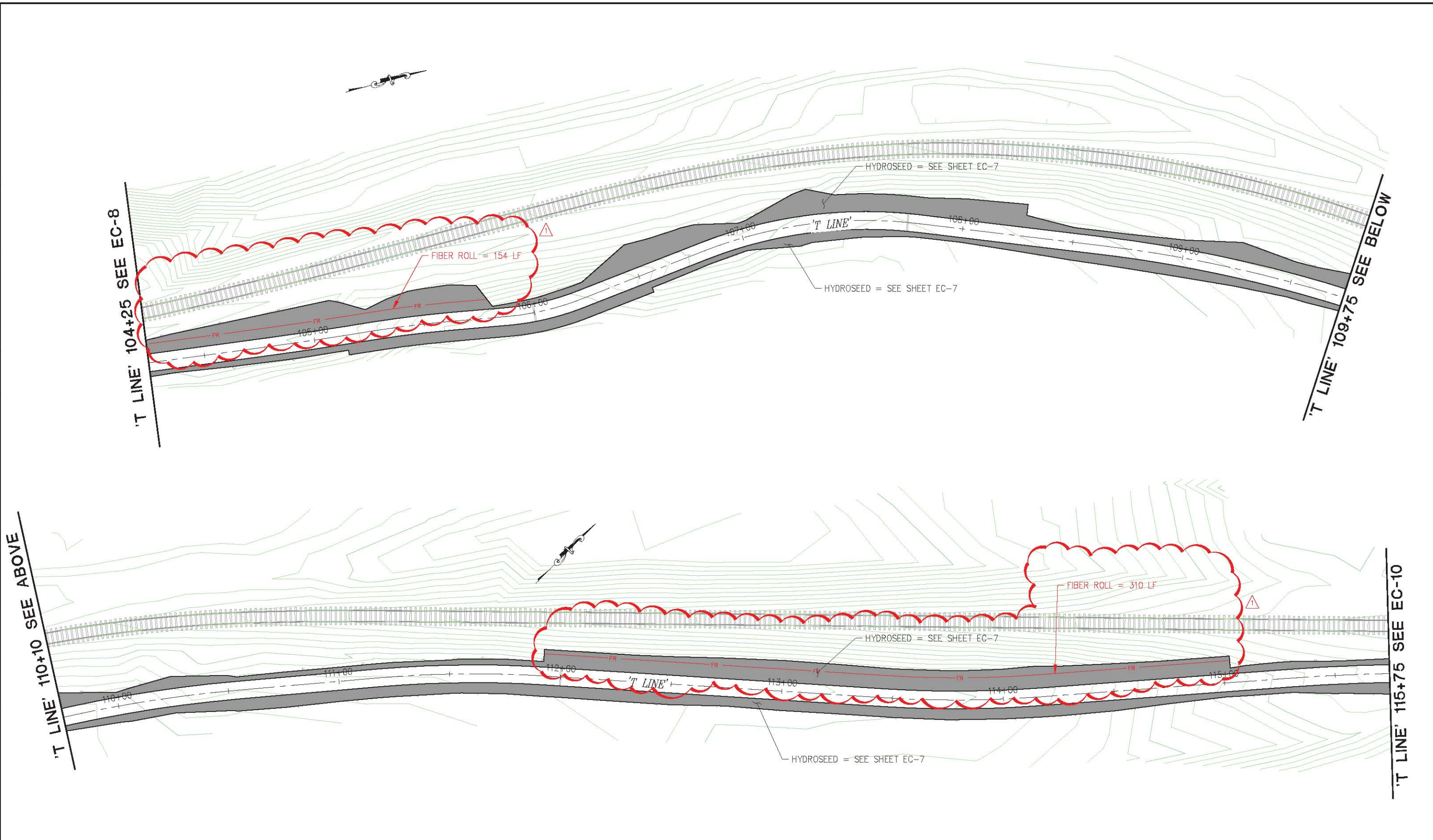
EL DORADO TRAIL EXTENSION
 MISSOURI FLAT ROAD TO EL DORADO
 19-0627 A 35 of 37

SHEET
EC-7
 95 OF 103
 W.C. No. 97014

EROSION CONTROL
 SCALE : 1" = 20'

ORIGINAL SCALE IS IN INCHES
 Drawing name: C:\Civil 3D\Projects\97014 El Dorado Trail - Missouri Flat Rd to El Dorado Rd\CADD Files\Sheets\EC Sheets.dwg Layout Tab: EC-9 Apr 03, 2019 - 11:45am Alnguyen

FOR REDUCED PLANS
 2
 1
 0



'T LINE' 110+10 SEE ABOVE

'T LINE' 104+25 SEE EC-8

'T LINE' 109+75 SEE BELOW

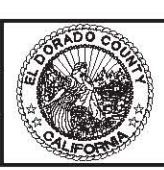
'T LINE' 115+75 SEE EC-10

REVISION	NUMBER	DATE	DESCRIPTION	BY
	4/3/2019	ADDENDUM #1		DH



PREPARED UNDER THE SUPERVISION OF:
Justin W. Harrington
 REGISTERED CIVIL ENGINEER
 DATE: 3/5/2019

DESIGNED: JN
 DRAWN: AN
 CHECKED: DH
 DATE: 3/5/2019
 ROAD NUMBER: N/A



COUNTY OF EL DORADO
 DEPARTMENT OF TRANSPORTATION

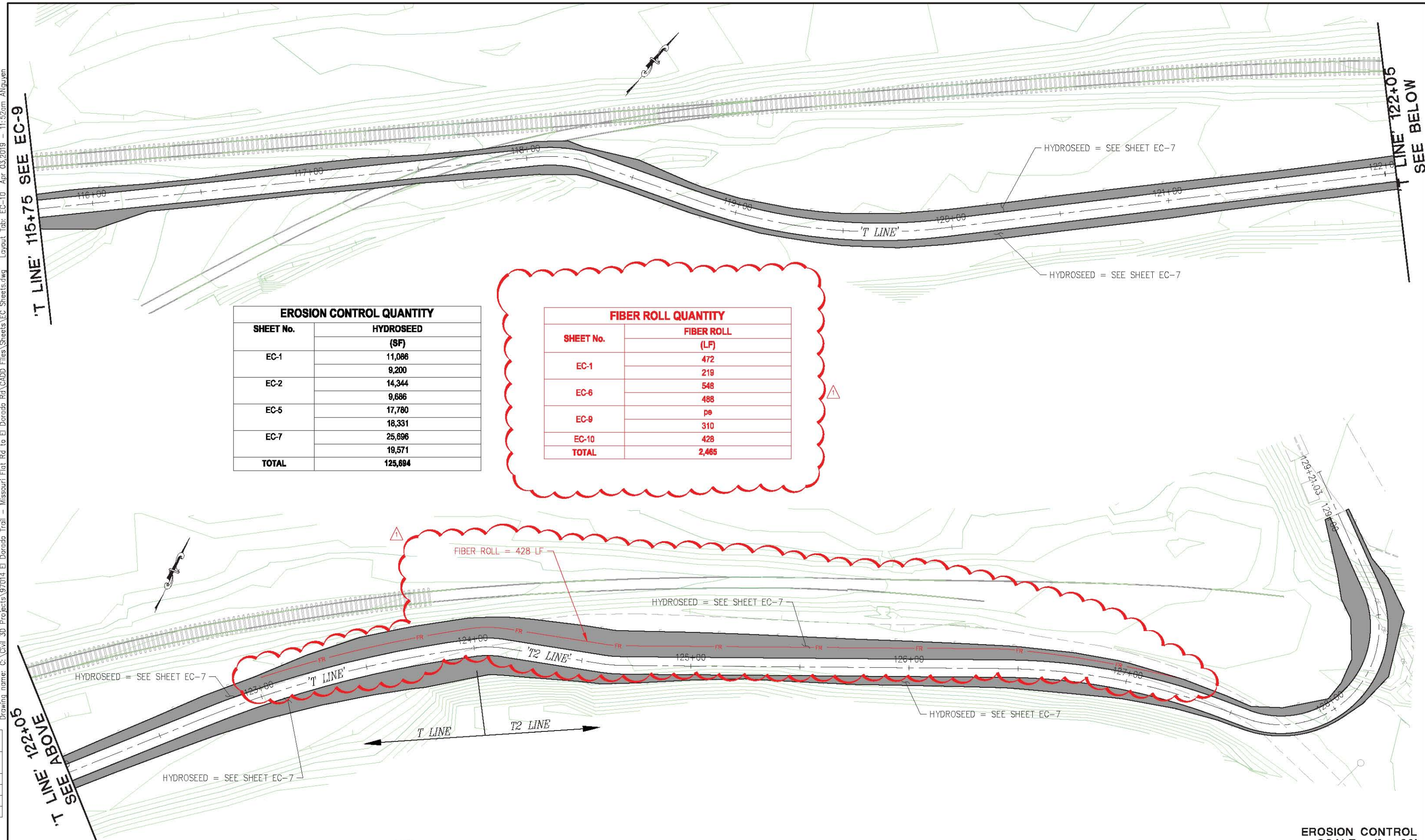
EL DORADO TRAIL EXTENSION
 MISSOURI FLAT ROAD TO EL DORADO

SHEET
EC-9
 97 OF 103
 W.C. No. 97014

EROSION CONTROL
 SCALE : 1" = 20'

19-0627 A 36 of 37

ORIGINAL SCALE IS IN INCHES
 Drawing name: C:\Civil 3D\Projects\97014 El Dorado Trail - Missouri Flat Rd to El Dorado Rd\CADD\Files\Sheets\EC-Sheets.dwg Layout Tab: EC-10 Apr 03, 2019 - 11:52am ANguyen
 FOR REDUCED PLANS



EROSION CONTROL QUANTITY	
SHEET No.	HYDROSEED (SF)
EC-1	11,086
	9,200
EC-2	14,344
	9,686
EC-5	17,780
	18,331
EC-7	25,696
	19,571
TOTAL	125,684

FIBER ROLL QUANTITY	
SHEET No.	FIBER ROLL (LF)
EC-1	472
	219
EC-6	548
	488
EC-9	pe
	310
EC-10	428
TOTAL	2,465

2
1
0
 T LINE '122+00' SEE ABOVE
 T LINE '115+75' SEE EC-9

LINE '122+05' SEE BELOW

EROSION CONTROL
 SCALE : 1" = 20'

REVISION	NUMBER	DATE	DESCRIPTION	BY
△	4/3/2019	ADDENDUM #1		DH



PREPARED UNDER THE SUPERVISION OF :

 REGISTERED CIVIL ENGINEER
 DATE: 3/5/2019

DESIGNED: JN AN
 CHECKED: DH
 DATE: 3/5/2019
 ROAD NUMBER: N/A



COUNTY OF EL DORADO
 DEPARTMENT OF TRANSPORTATION

EL DORADO TRAIL EXTENSION
 MISSOURI FLAT ROAD TO EL DORADO

SHEET
EC-10
 98 OF 103
 W.G. No. 97014

19-0627 A 37 of 37