

APPROVED AS TO IMPACT ON STATE FACILITIES AND CONFORMANCE WITH APPLICABLE STATE STANDARDS AND PRACTICES AND THAT TECHNICAL OVERSIGHT WAS PERFORMED.

DATE SIGNED

LICENSE Exp DATE 09/30/2012

REGISTRATION No. C49570

CALTRANS DESIGN OVERSIGHT APPROVAL SIGNATURE

PRINTED NAME CLARK A. PERI

CONSULTANT PROJECT ENGINEER DEREK MINNEMA

**INDEX OF SHEETS**

No.	ROADWAY PLANS
1	TITLE SHEET
2-12	TYPICAL CROSS SECTIONS
13	KEY MAP & LINE INDEX
14	PROJECT CONTROL
15-27	LAYOUT
28-37	PROFILE & SUPERELEVATION DIAGRAM
38-68	CONSTRUCTION DETAILS
69-81	CONTOUR GRADING
82-95	EROSION CONTROL PLANS & QUANTITIES
96-150	DRAINAGE PLANS, PROFILES, DETAILS & QUANTITIES
151-165	UTILITY PLANS & QUANTITIES
166-170	WATER PLANS
171	CONSTRUCTION AREA SIGNS
172-174	STAGE CONSTRUCTION
175-190	TRAFFIC HANDLING PLANS & QUANTITIES
191-193	DETOUR PLANS
194-207	PAVEMENT DELINEATION PLANS & QUANTITIES
208-234	SIGN PLANS, DETAILS & QUANTITIES
235-237	SUMMARY OF QUANTITIES
238	RETAINING WALL
239-268	LIGHTING & ELECTRICAL PLANS

No.	STRUCTURE PLANS
269-295	SILVA VALLEY Pkwy OC (Br. No. 25-0127)
296-316	SILVA VALLEY WB ON-RAMP UC (Br. No. 25-0129K)
317-335	SILVA VALLEY WB OFF-RAMP BRIDGE (Br. No. 25-0130K)
336-356	SILVA VALLEY EB OFF-RAMP UC (Br. No. 25-0128S)
357-364	CARSON CREEK RETAINING WALL (Br. No. 25E0007)
365-367	BUCKS RAVINE CREEK RCB EXTENSION

**EL DORADO COUNTY, CA  
DEPARTMENT OF TRANSPORTATION**

**PROJECT PLANS FOR CONSTRUCTION ON  
STATE HIGHWAY  
IN EL DORADO COUNTY  
NEAR EL DORADO HILLS  
FROM THE LATROBE ROAD UNDERCROSSING  
TO 0.33 mi WEST OF THE BASS LAKE ROAD UNDERCROSSING**

TO BE SUPPLEMENTED BY CALTRANS STANDARD PLANS DATED MAY 2010

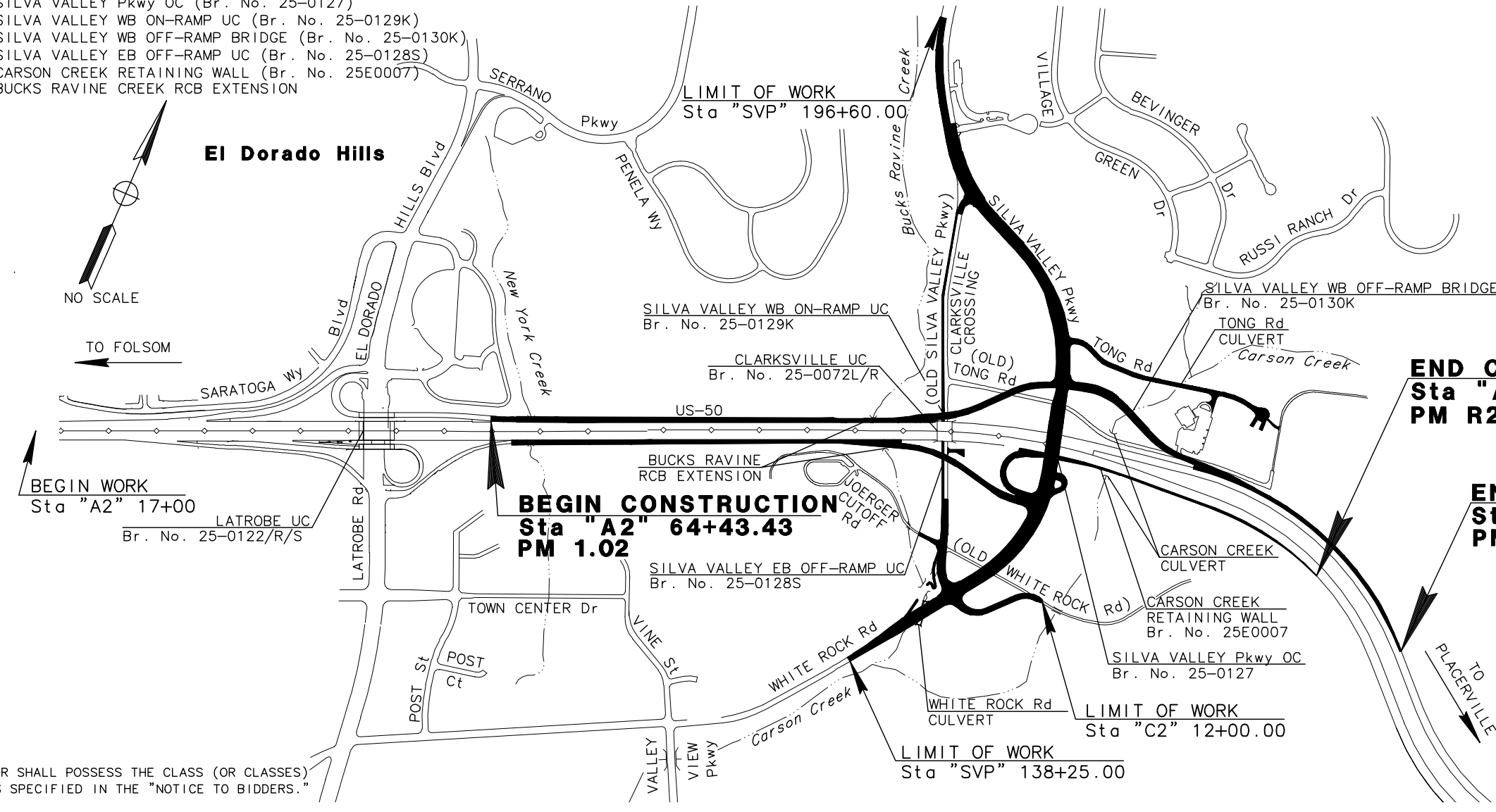
Dist	COUNTY	ROUTE	POST MILES TOTAL PROJECT	SHEET No.	TOTAL SHEETS
03	ED	50	1.07/R2.40	1	367



EL DORADO COUNTY  
2850 FAIRLANE COURT  
PLACERVILLE, CA 95667  
MARK THOMAS & COMPANY, INC.  
7300 FOLSOM BOULEVARD, SUITE 203  
SACRAMENTO, CALIFORNIA 95826

*The state of California or its officers or agents shall not be responsible for the accuracy or completeness of scanned or electronic copies of this plan sheet.*

To get to the Caltrans Web site, go to: <http://www.dot.ca.gov>



THE CONTRACTOR SHALL POSSESS THE CLASS (OR CLASSES) OF LICENSE AS SPECIFIED IN THE "NOTICE TO BIDDERS."

ADOPTED AND APPROVED BY:

RAY NUTTING  
CHAIR, EL DORADO COUNTY BOARD OF SUPERVISORS  
DATE

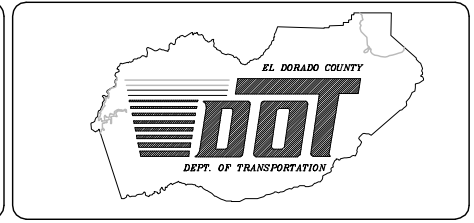
APPROVED BY:

KIM KERR  
DIRECTOR, EL DORADO COUNTY DEPARTMENT OF TRANSPORTATION  
DATE

MATTHEW D. SMELTZER P.E. NO. C56832  
DEPUTY DIRECTOR OF ENGINEERING, EL DORADO COUNTY DEPARTMENT OF TRANSPORTATION  
DATE

**EL DORADO COUNTY  
DEPARTMENT OF TRANSPORTATION**

2850 FAIRLANE COURT  
PLACERVILLE, CA 95667  
(530) 621-5900



**REVISIONS**

MARK	DATE	BY

**BOARD OF SUPERVISORS**

JOHN KNIGHT	I
RAY NUTTING	II
JAMES SWEENEY	III
RON V. BRIGGS	IV
NORMA SANTIAGO	V

*Postall*  
PROJECT MANAGER  
REGISTERED CIVIL ENGINEER  
DATE

OCTOBER 19, 2012  
PLANS APPROVAL DATE

REGISTERED PROFESSIONAL ENGINEER  
ROBERT A. HIMES  
No. 45787  
Exp. 12/31/12  
CIVIL  
STATE OF CALIFORNIA

PW# 1230647  
UNIT No.: 0259  
PROJECT ID No.: 0300000258  
EA: 03-1E290  
COUNTY CIP: 71328

DATE PLOTTED => 7/16/2010 TIME PLOTTED => 9:46 AM





Dist	COUNTY	ROUTE	POST MILES TOTAL PROJECT	SHEET No.	TOTAL SHEETS
03	ED	50	1.07/R2.40	4	367

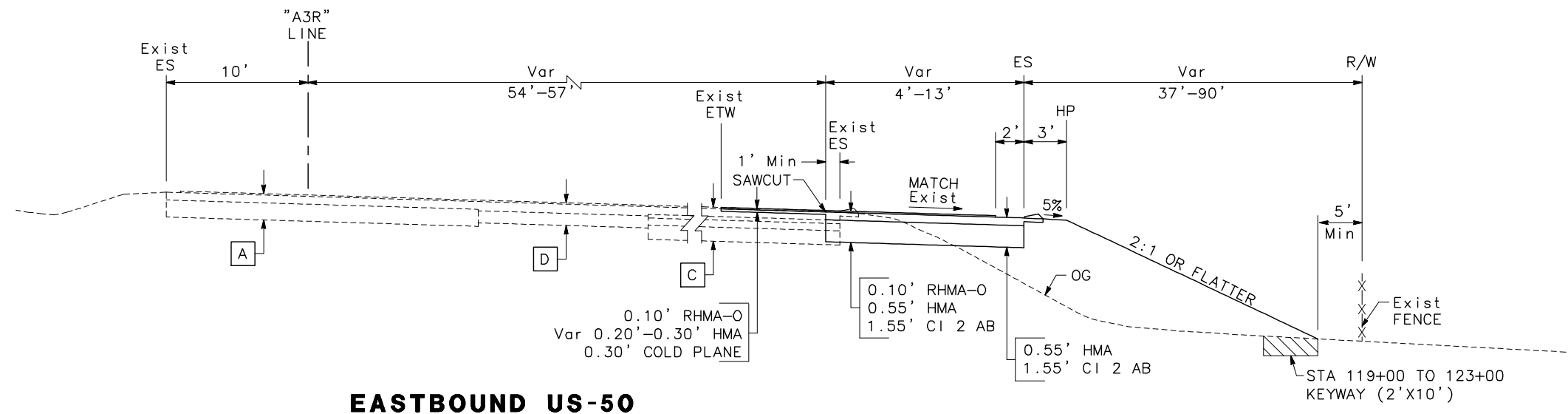
REGISTERED CIVIL ENGINEER DATE  
 OCTOBER 19, 2012  
 PLANS APPROVAL DATE

REGISTERED PROFESSIONAL ENGINEER  
**ROBERT A. HIMES**  
 No. 45787  
 Exp 12/31/12  
 CIVIL  
 STATE OF CALIFORNIA

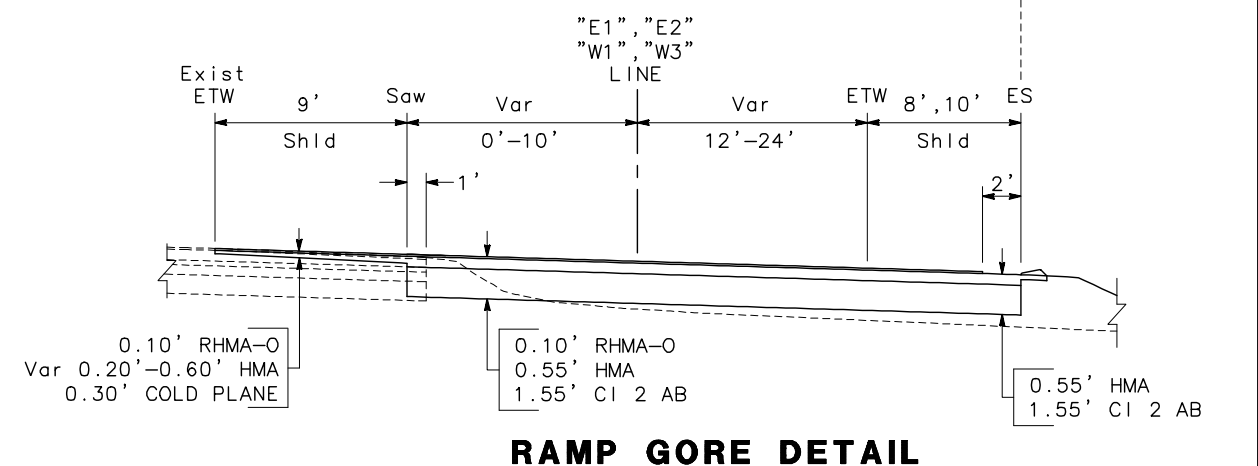
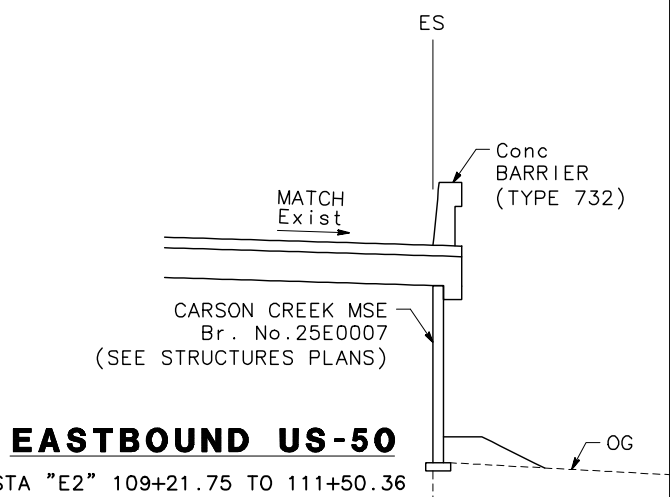
THE STATE OF CALIFORNIA OR ITS OFFICERS OR AGENTS SHALL NOT BE RESPONSIBLE FOR THE ACCURACY OR COMPLETENESS OF SCANNED OR ELECTRONIC COPIES OF THIS PLAN SHEET.

MARK THOMAS & CO. INC.  
 7300 FOLSOM BLVD STE 203  
 SACRAMENTO, CA 95826

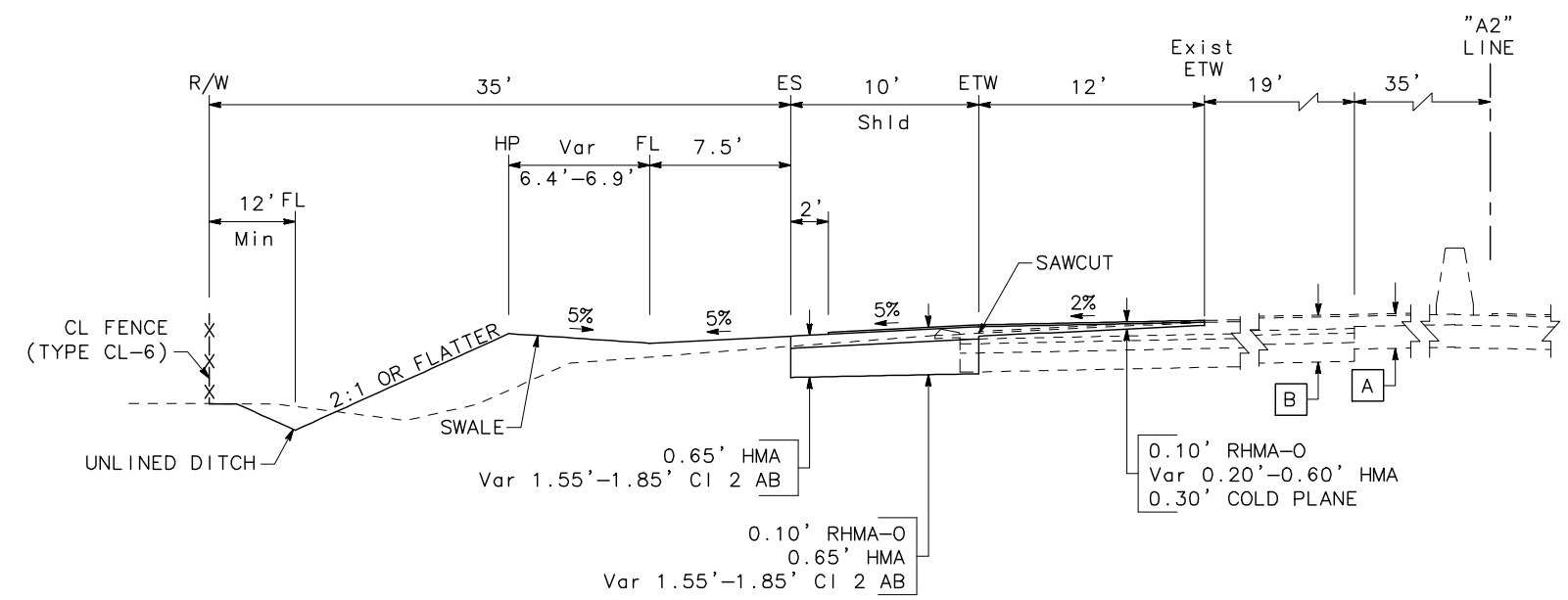
COUNTY OF EL DORADO  
 DEPT. OF TRANSPORTATION  
 2850 FAIRLANE COURT  
 PLACERVILLE, CA 95667



**EASTBOUND US-50**  
STA "A3R" 112+22.48 TO "A3R" 128+25.74



**RAMP GORE DETAIL**  
 STA "E1" 90+12.60 TO "E1" 93+34.79  
 STA "E2" 104+75.00 TO "E2" 112+22.48  
 STA "W1" 117+63.48 TO "W1" 120+50.00  
 STA "W3" 91+45.79 TO "W3" 95+88.38



**WESTBOUND US-50**  
STA "A2" 89+75.00 TO "A2" 91+46.26

**TYPICAL CROSS SECTIONS**  
NO SCALE

**X-3**

REVISIONS: [Blank]  
 REVISOR: BRYAN E. STONE, DEREK W. MINNEMA  
 CALCULATED/DESIGNED BY: [Blank]  
 CHECKED BY: [Blank]  
 CONSULTANT: ROBERT A. HIMES  
 DEPARTMENT OF TRANSPORTATION  
 Et-Caltans

USERNAME => JNETTLETON  
 DGN FILE => svp\_X-1 THRU X-11.dwg

RELATIVE BORDER SCALE IS IN INCHES  
 0 1 2 3

UNIT 0259

PROJECT NUMBER & PHASE 13-0677 D 4 of 68

CAD USER: jnettleton  
 PLOT DATE: Oct 16, 2012-08:22:33pm  
 PLOT FILE: svp\_X-1 THRU X-11

COUNTY CIP: 71328  
 EA: 03-1E290  
 DATE PLOTTED => 7/14/2010  
 TIME PLOTTED => 9:29 AM

BORDER LAST REVISED 7/2/2010

Dist	COUNTY	ROUTE	POST MILES TOTAL PROJECT	SHEET No.	TOTAL SHEETS
03	ED	50	1.07/R2.40	5	367

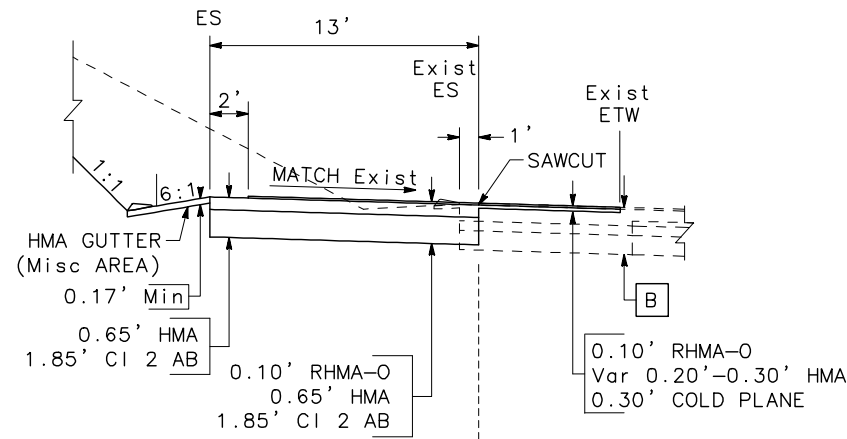
*Estaff*  
REGISTERED CIVIL ENGINEER DATE  
OCTOBER 19, 2012  
PLANS APPROVAL DATE

ROBERT A. HIMES  
No. 45787  
Exp 12/31/12  
CIVIL  
STATE OF CALIFORNIA

THE STATE OF CALIFORNIA OR ITS OFFICERS OR AGENTS SHALL NOT BE RESPONSIBLE FOR THE ACCURACY OR COMPLETENESS OF SCANNED OR ELECTRONIC COPIES OF THIS PLAN SHEET.

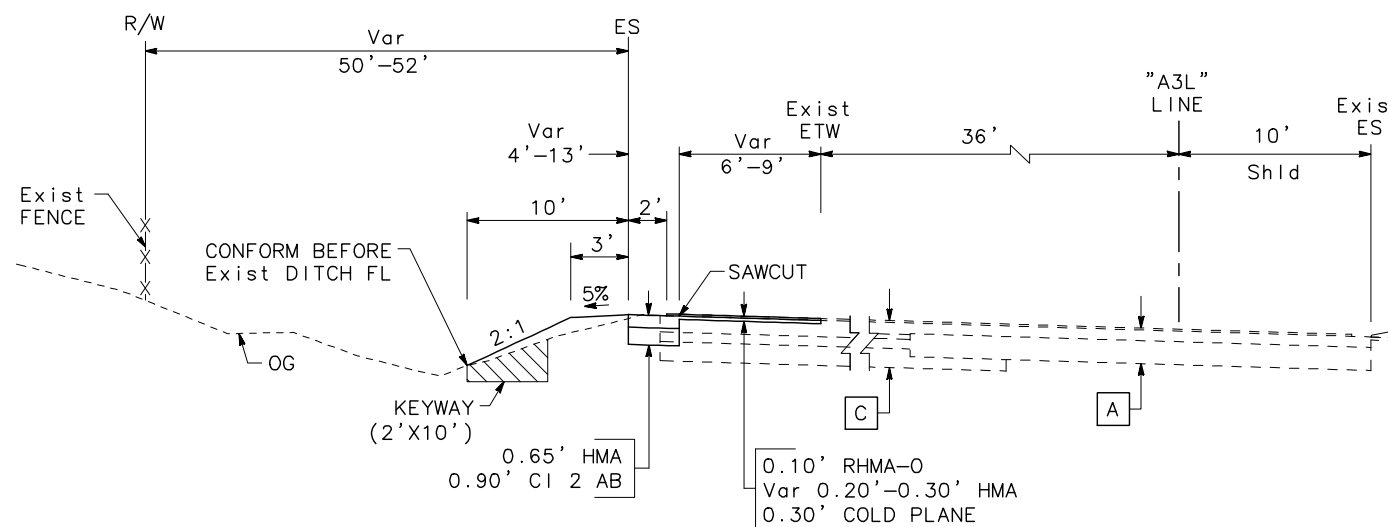
MARK THOMAS & CO. INC.  
7300 FOLSOM BLVD STE 203  
SACRAMENTO, CA 95826

COUNTY OF EL DORADO  
DEPT. OF TRANSPORTATION  
2850 FAIRLANE COURT  
PLACERVILLE, CA 95667



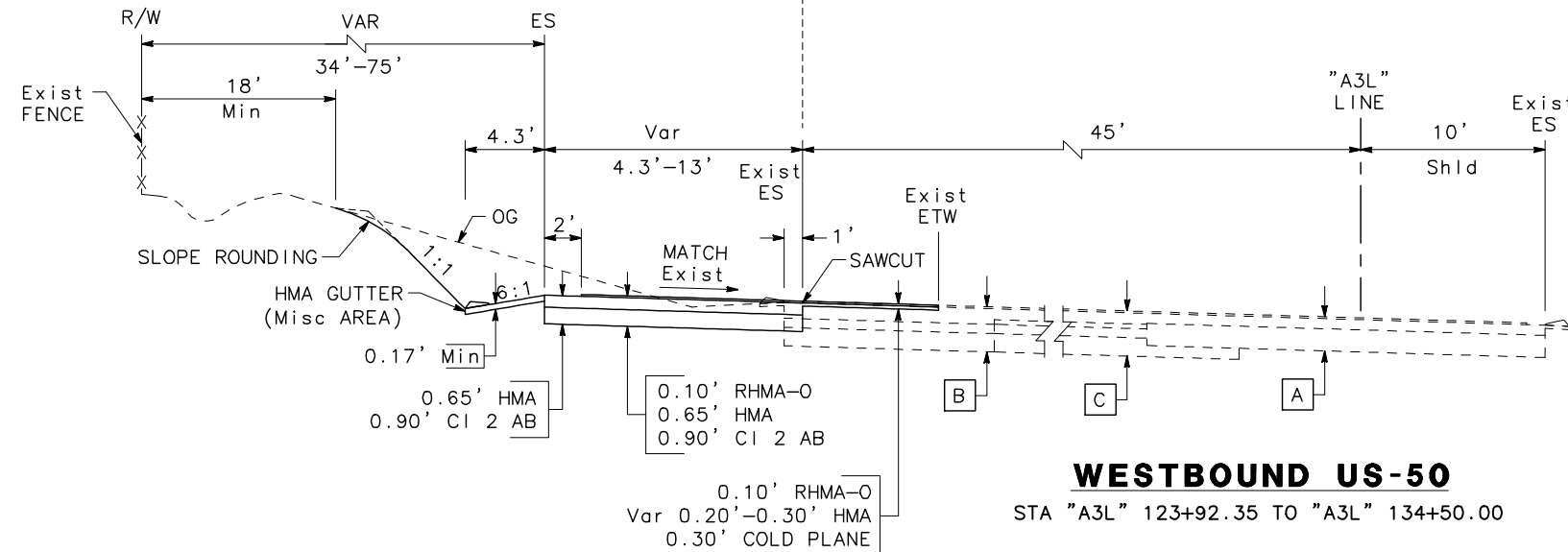
**WESTBOUND US-50**

STA "A3L" 123+92.35 TO "A3L" 126+00.00



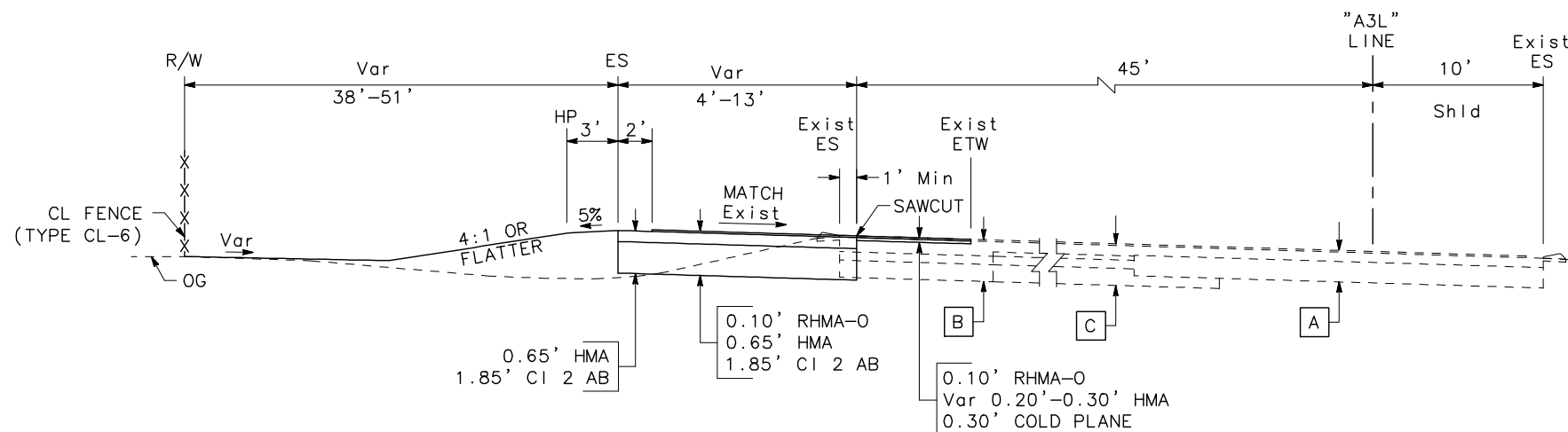
**WESTBOUND US-50**

STA "A3L" 134+50.00 TO "A3L" 137+42.64



**WESTBOUND US-50**

STA "A3L" 123+92.35 TO "A3L" 134+50.00



**WESTBOUND US-50**

STA "A3L" 120+50.00 TO "A3L" 123+92.35

**TYPICAL CROSS SECTIONS**

NO SCALE

**X-4**

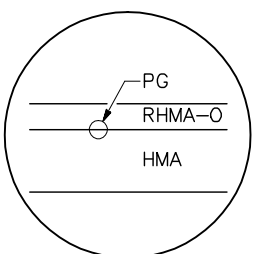
CAD USER: jnettleton  
PLOT DATE: Oct 16, 2012-08:22:38pm  
PLOT FILE: V:\West Valley LLC-55-0162B-Silva Valley Pkwy (C:\CADD\Drawings\NAME: svp\_X-1 THRU X-11

Dist	COUNTY	ROUTE	POST MILES TOTAL PROJECT	SHEET No.	TOTAL SHEETS
03	ED	50	1.07/R2.40	6	367

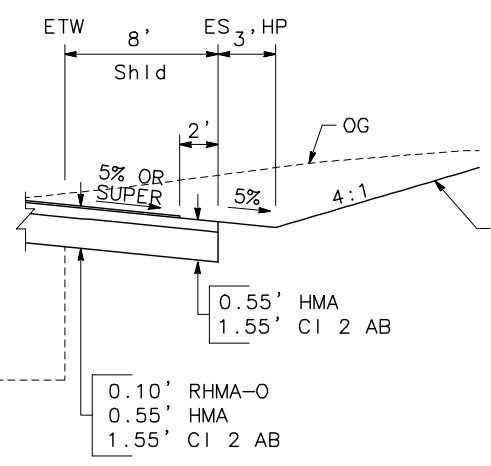
REGISTERED CIVIL ENGINEER DATE  
 OCTOBER 19, 2012  
 PLANS APPROVAL DATE

THE STATE OF CALIFORNIA OR ITS OFFICERS OR AGENTS SHALL NOT BE RESPONSIBLE FOR THE ACCURACY OR COMPLETENESS OF SCANNED OR ELECTRONIC COPIES OF THIS PLAN SHEET.

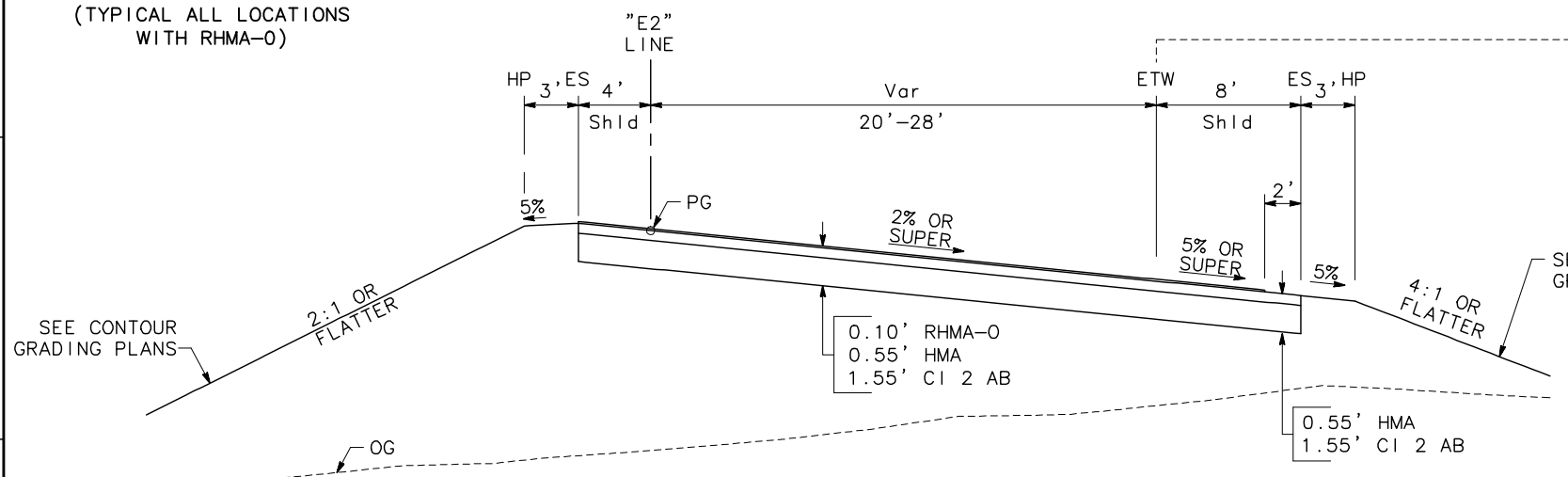
MARK THOMAS & CO. INC. 7300 FOLSOM BLVD STE 203 SACRAMENTO, CA 95826	COUNTY OF EL DORADO DEPT. OF TRANSPORTATION 2850 FAIRLANE COURT PLACERVILLE, CA 95667
--	--



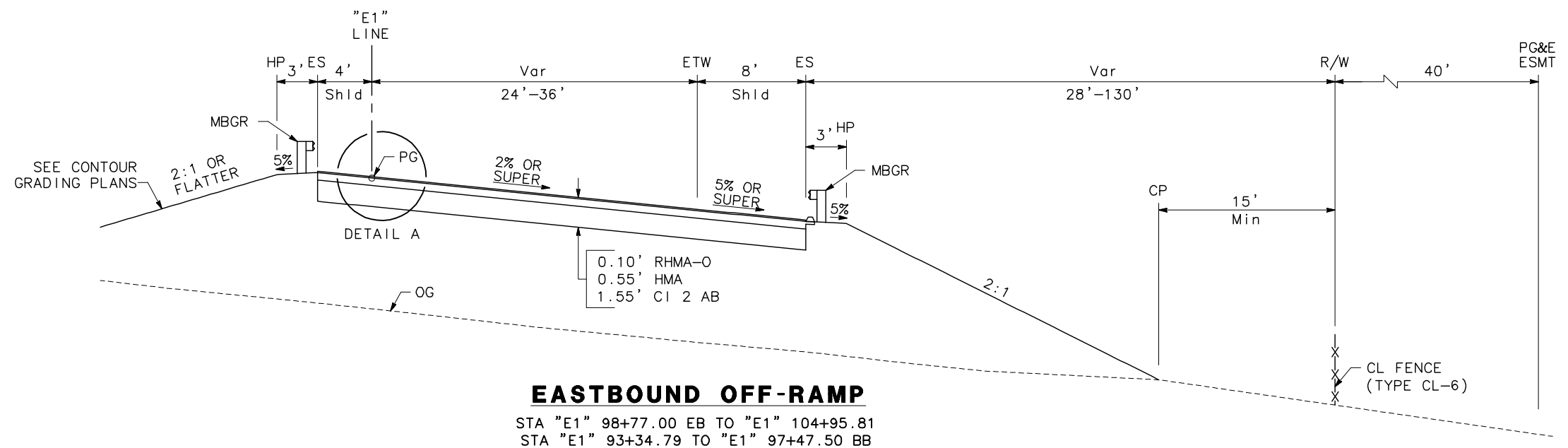
**DETAIL A**  
(TYPICAL ALL LOCATIONS WITH RHMA-0)



**EASTBOUND LOOP ON-RAMP**  
STA "E2" 101+65.00 TO "E2" 104+75.00



**EASTBOUND LOOP ON-RAMP**  
STA "E2" 98+57.63 TO "E2" 104+75.00



**EASTBOUND OFF-RAMP**  
STA "E1" 98+77.00 EB TO "E1" 104+95.81  
STA "E1" 93+34.79 TO "E1" 97+47.50 BB

**TYPICAL CROSS SECTIONS**  
NO SCALE

X-5

REVISOR	DATE	REVISION
BRYAN E. STONE		
DEREK W. MINNEMA		
ROBERT A. HIMES		

CAD USER: jnettleton  
 PLOT DATE: Oct 16, 2012-08:22:43pm  
 P:\West Valley LLC-55-0162B-Silva Valley Pkwy (C:\CADD\Drawings\NAME: svp\_X-1 THRU X-11

Dist	COUNTY	ROUTE	POST MILES TOTAL PROJECT	SHEET No.	TOTAL SHEETS
03	ED	50	1.07/R2.40	7	367

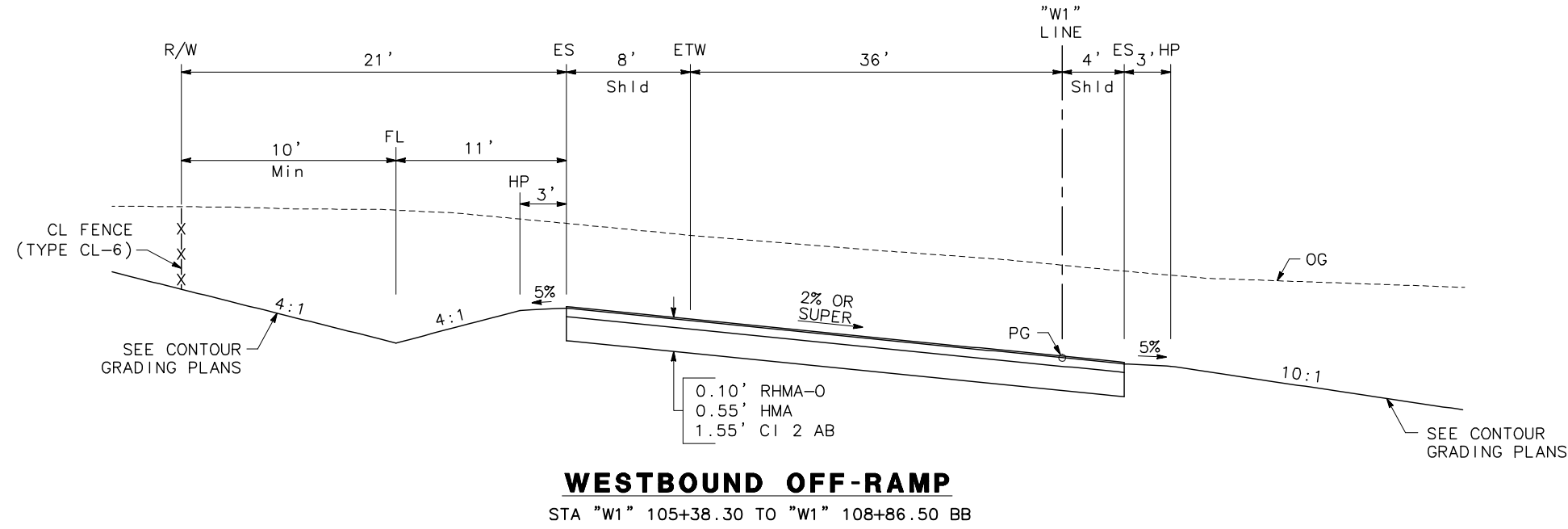
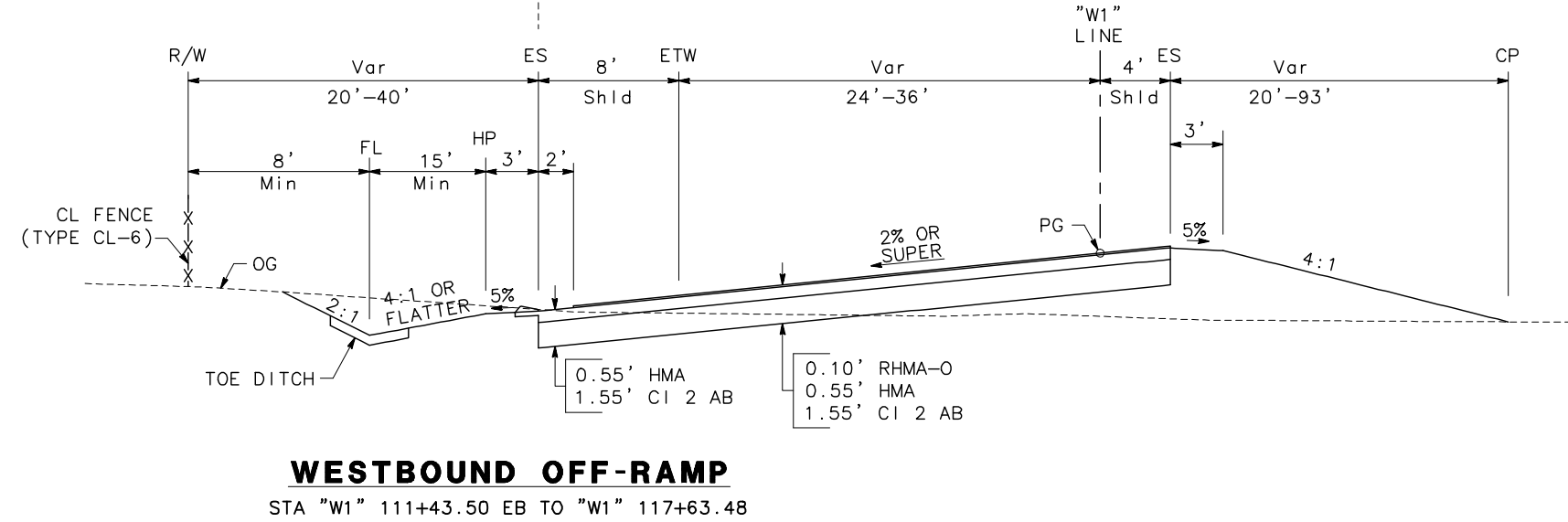
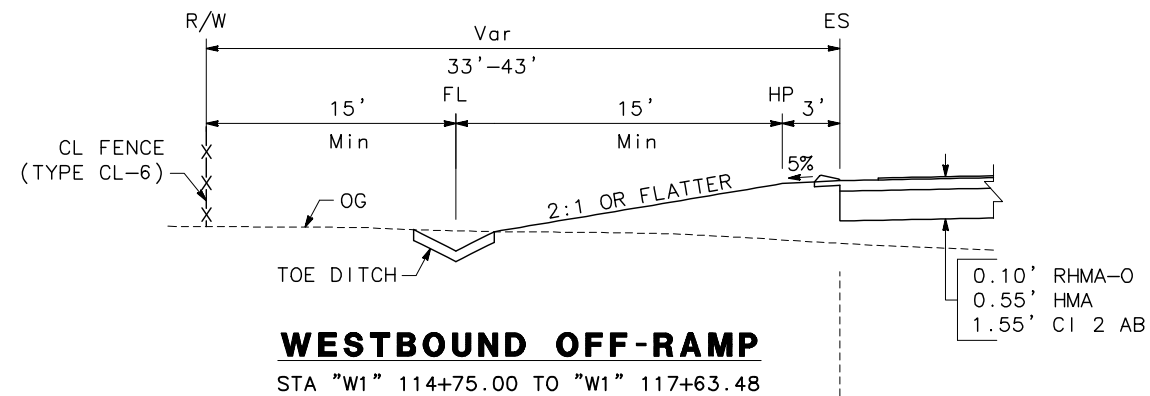
*Estaff*  
REGISTERED CIVIL ENGINEER DATE  
OCTOBER 19, 2012  
PLANS APPROVAL DATE

REGISTERED PROFESSIONAL ENGINEER  
**ROBERT A. HIMES**  
No. 45787  
Exp 12/31/12  
CIVIL  
STATE OF CALIFORNIA

THE STATE OF CALIFORNIA OR ITS OFFICERS OR AGENTS SHALL NOT BE RESPONSIBLE FOR THE ACCURACY OR COMPLETENESS OF SCANNED OR ELECTRONIC COPIES OF THIS PLAN SHEET.

MARK THOMAS & CO. INC.  
7300 FOLSOM BLVD STE 203  
SACRAMENTO, CA 95826

COUNTY OF EL DORADO  
DEPT. OF TRANSPORTATION  
2850 FAIRLANE COURT  
PLACERVILLE, CA 95667



**TYPICAL CROSS SECTIONS**  
NO SCALE

**X-6**

CAD USER: jnettleton  
PLOT DATE: Oct 16, 2012-08:22:48pm  
BRYAN E. STONE  
DEREK W. MINNEMA  
CALCULATED-DESIGNED BY  
CHECKED BY  
CONSULTANT FUNCTIONAL SUPERVISOR  
ROBERT A. HIMES  
STATE OF CALIFORNIA - DEPARTMENT OF TRANSPORTATION  
Et-Trans

USERNAME => JNETTLETON  
DGN FILE => svp\_X-1 THRU X-11.dwg

RELATIVE BORDER SCALE  
15 IN INCHES

UNIT 0259

PROJECT NUMBER & PHASE 13-0677 D 7 of 68

COUNTY CIP: 71328  
EA: 03-1E290  
DATE PLOTTED => 7/14/2010  
TIME PLOTTED => 9:29 AM

Dist	COUNTY	ROUTE	POST MILES TOTAL PROJECT	SHEET No.	TOTAL SHEETS
03	ED	50	1.07/R2.40	8	367

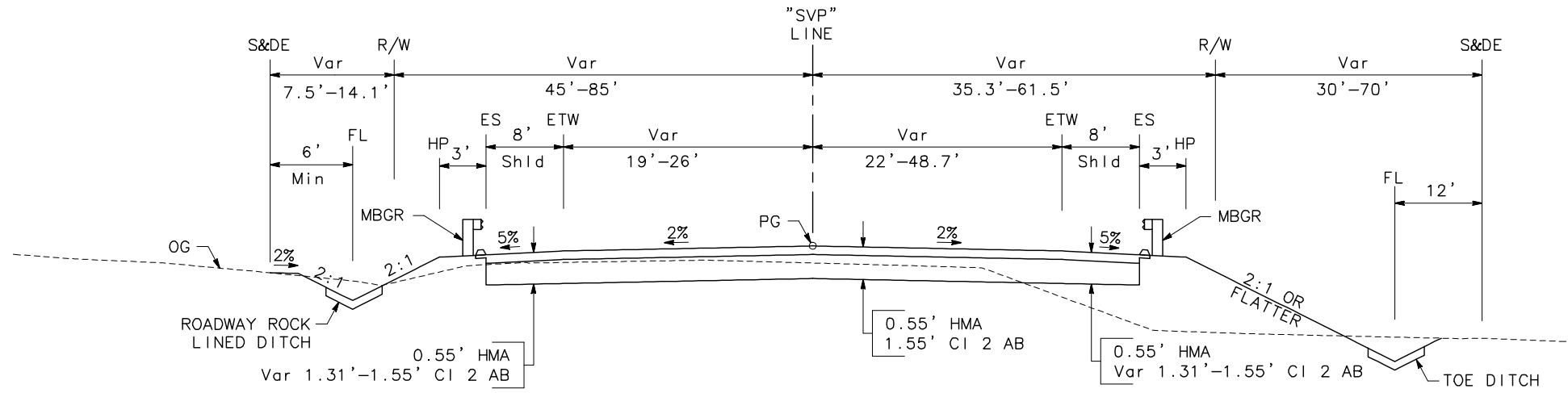
*Estaff*  
REGISTERED CIVIL ENGINEER DATE  
OCTOBER 19, 2012  
PLANS APPROVAL DATE

REGISTERED PROFESSIONAL ENGINEER  
**ROBERT A. HIMES**  
No. 45787  
Exp 12/31/12  
CIVIL  
STATE OF CALIFORNIA

THE STATE OF CALIFORNIA OR ITS OFFICERS OR AGENTS SHALL NOT BE RESPONSIBLE FOR THE ACCURACY OR COMPLETENESS OF SCANNED OR ELECTRONIC COPIES OF THIS PLAN SHEET.

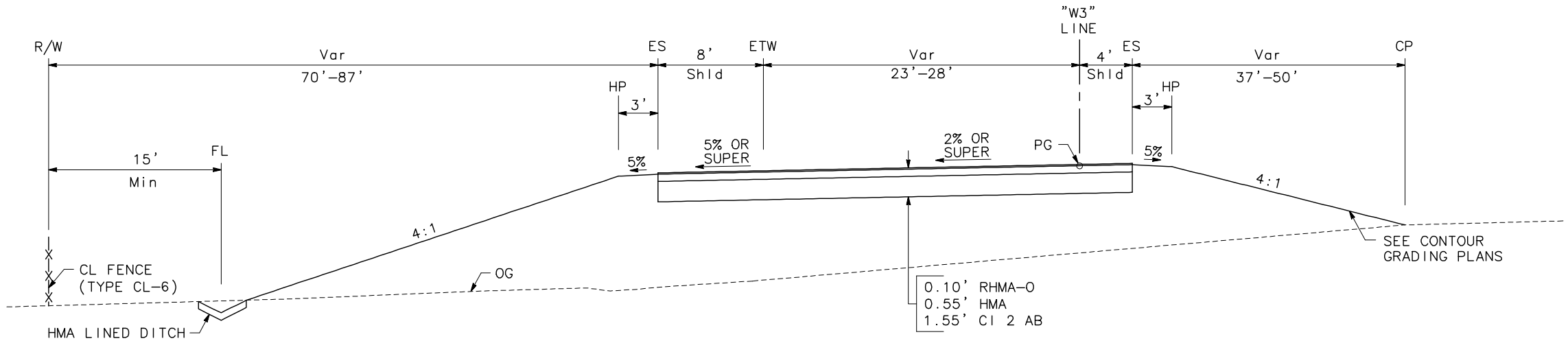
MARK THOMAS & CO. INC.  
7300 FOLSOM BLVD STE 203  
SACRAMENTO, CA 95826

COUNTY OF EL DORADO  
DEPT. OF TRANSPORTATION  
2850 FAIRLANE COURT  
PLACERVILLE, CA 95667



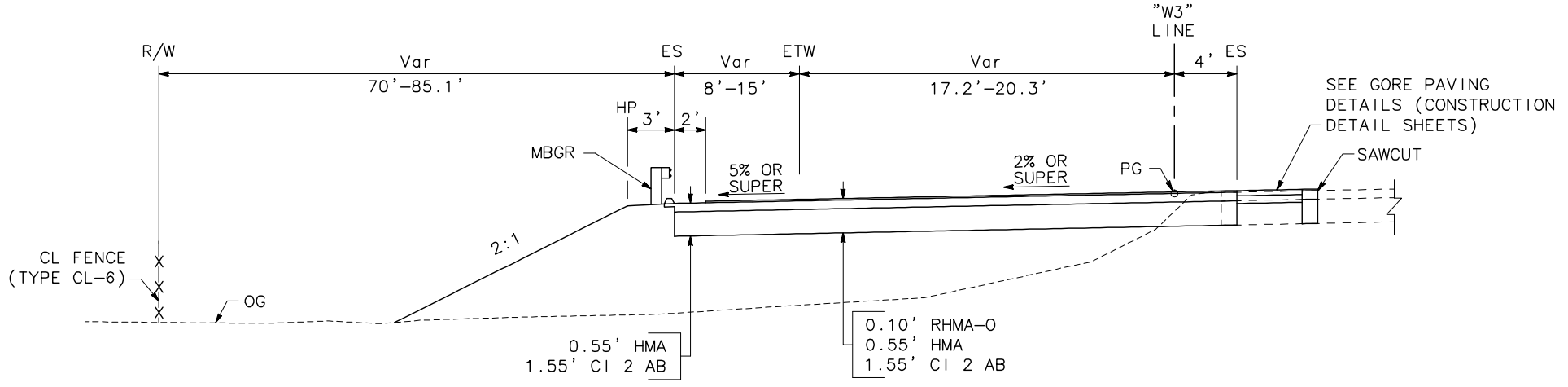
**SILVA VALLEY PARKWAY/WHITE ROCK ROAD**

STA "SVP" 142+00 TO "SVP" 144+76.37



**WESTBOUND ON-RAMP**

STA "W3" 98+57.00 EB TO "W3" 106+30.70



**WESTBOUND ON-RAMP**

STA "W3" 95+88.38 TO "W3" 97+41.50 BB

**TYPICAL CROSS SECTIONS**

NO SCALE

**X-7**

STATE OF CALIFORNIA - DEPARTMENT OF TRANSPORTATION  
**Caltrans**

CONSULTANT: FUNCTIONAL SUPERVISOR: ROBERT A. HIMES  
DESIGNED BY: BRYAN E. STONE  
CHECKED BY: DEREK W. MINNEMA

REVISIONS: REVISION NO. DATE BY

USERNAME => JNETTLETON  
DGN FILE => svp\_X-1 THRU X-11.dwg

RELATIVE BORDER SCALE  
15 IN INCHES

UNIT 0259

PROJECT NUMBER & PHASE 13-0677 D 8 of 8

EA: 03-1E290  
COUNTY CIP: 71328  
DATE PLOTTED => 7/14/2010  
TIME PLOTTED => 9:29 AM

CAD USER: jnettleton  
PLOT DATE: Oct 16, 2012-08:22:53pm  
PATH: V:\West Valley LLC-55-0162B-Silva Valley Pkwy (CADD)\Drawings\svp\_X-1 THRU X-11

BORDER LAST REVISED 7/2/2010



CAD USER: jnettleton  
 PLOT DATE: Oct 16, 2012-08:22:58pm  
 PATH: V:\West Valley LLC-55-0162B-Silva Valley Pkwy (C:\CADD\DrawFiles\svp\_X-1 THRU X-11

STATE OF CALIFORNIA - DEPARTMENT OF TRANSPORTATION	CONSULTANT FUNCTIONAL SUPERVISOR	REVISIONS	REVISIONS
<b>Stantec</b>	ROBERT A. HIMES	BRYAN E. STONE	DEREK W. MINNEMA
	CHECKED BY	DESIGNED BY	DATE REVISION

Dist	COUNTY	ROUTE	POST MILES TOTAL PROJECT	SHEET No.	TOTAL SHEETS
03	ED	50	1.07/R2.40	9	367

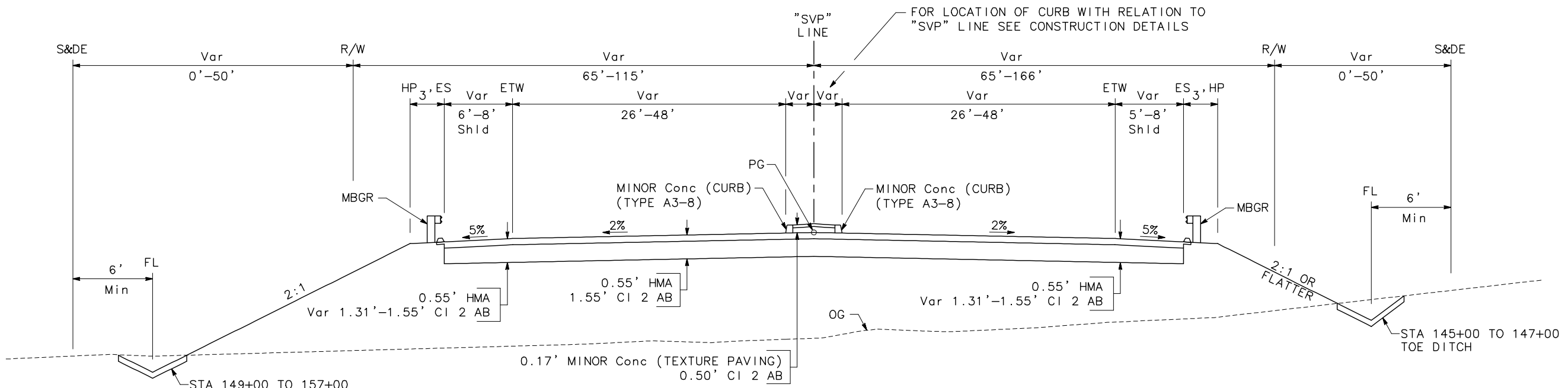
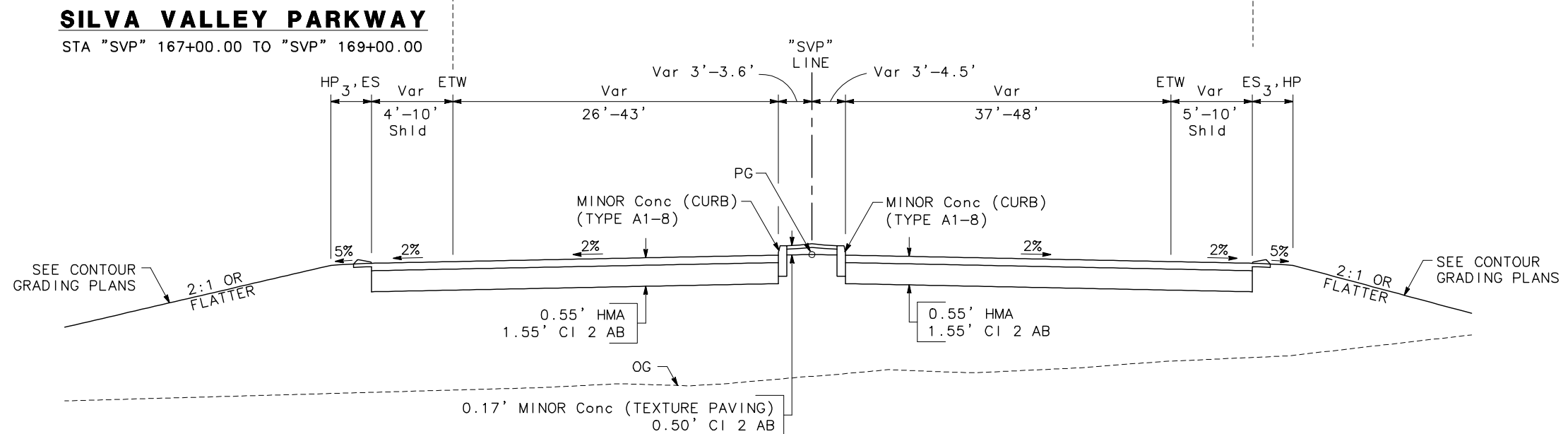
REGISTERED CIVIL ENGINEER DATE  
 OCTOBER 19, 2012  
 PLANS APPROVAL DATE

ROBERT A. HIMES  
 No. 45787  
 Exp 12/31/12  
 CIVIL  
 STATE OF CALIFORNIA

THE STATE OF CALIFORNIA OR ITS OFFICERS OR AGENTS SHALL NOT BE RESPONSIBLE FOR THE ACCURACY OR COMPLETENESS OF SCANNED OR ELECTRONIC COPIES OF THIS PLAN SHEET.

MARK THOMAS & CO. INC.  
 7300 FOLSOM BLVD STE 203  
 SACRAMENTO, CA 95826

COUNTY OF EL DORADO  
 DEPT. OF TRANSPORTATION  
 2850 FAIRLANE COURT  
 PLACERVILLE, CA 95667



**TYPICAL CROSS SECTIONS**  
 NO SCALE

X-8

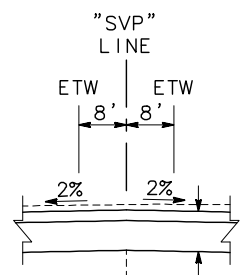
EA: 03-1E290  
 COUNTY CIP: 71328  
 DATE PLOTTED => 7/14/2010  
 TIME PLOTTED => 9:29 AM

Dist	COUNTY	ROUTE	POST MILES TOTAL PROJECT	SHEET No.	TOTAL SHEETS
03	ED	50	1.07/R2.40	10	367

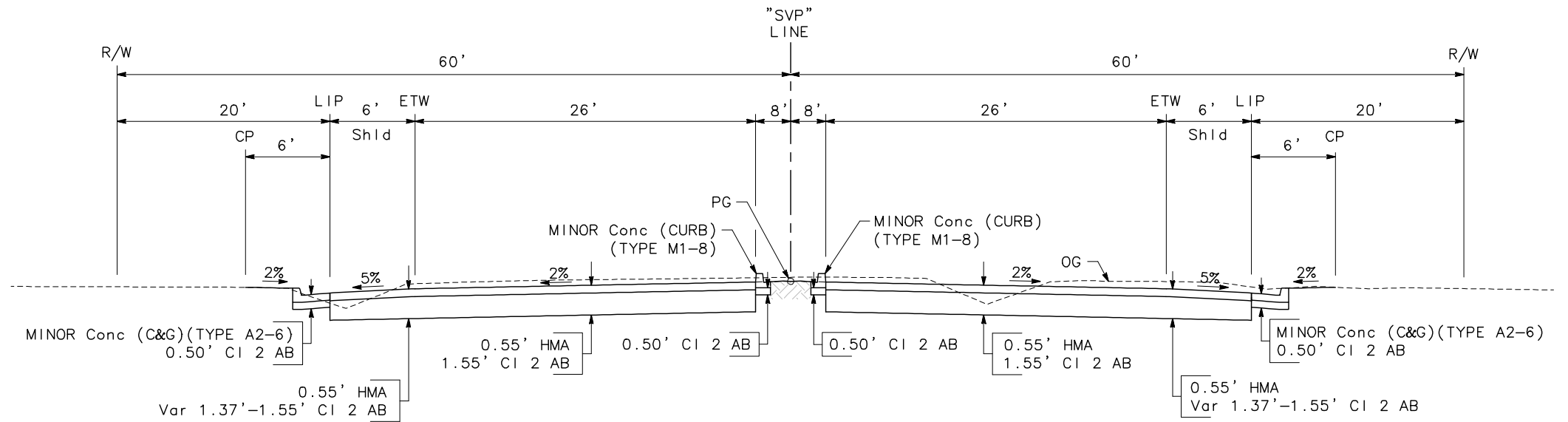
REGISTERED CIVIL ENGINEER DATE  
 OCTOBER 19, 2012  
 PLANS APPROVAL DATE

THE STATE OF CALIFORNIA OR ITS OFFICERS OR AGENTS SHALL NOT BE RESPONSIBLE FOR THE ACCURACY OR COMPLETENESS OF SCANNED OR ELECTRONIC COPIES OF THIS PLAN SHEET.

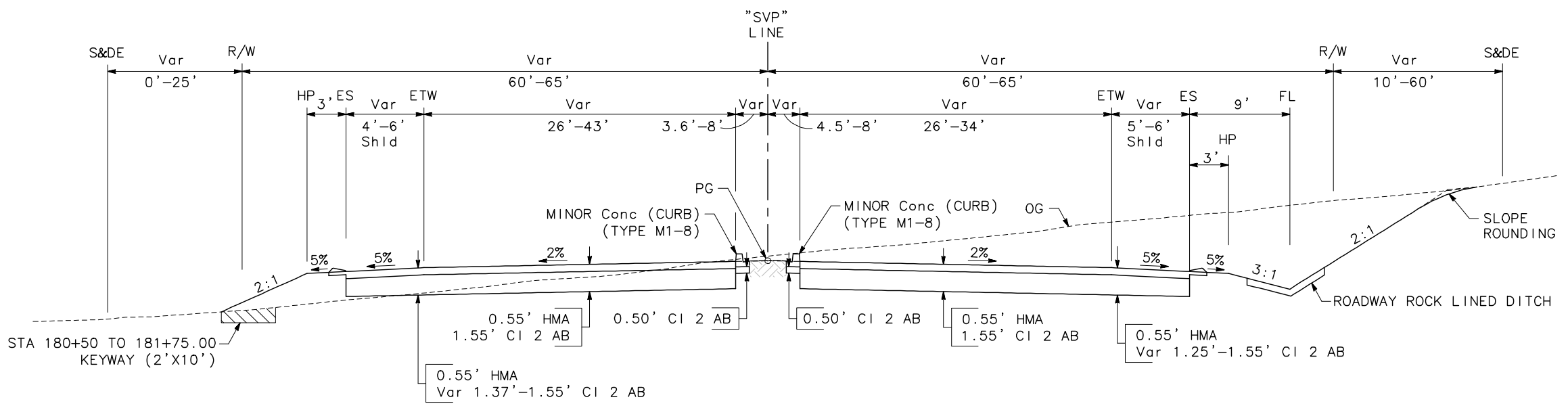
MARK THOMAS & CO. INC. 7300 FOLSOM BLVD STE 203 SACRAMENTO, CA 95826	COUNTY OF EL DORADO DEPT. OF TRANSPORTATION 2850 FAIRLANE COURT PLACERVILLE, CA 95667
--	--



**SILVA VALLEY PARKWAY**  
STA "SVP" 180+00.00 TO "SVP" 184+20.00



**SILVA VALLEY PARKWAY**  
STA "SVP" 181+75.00 TO "SVP" 185+78.00



**SILVA VALLEY PARKWAY**  
STA "SVP" 169+00.00 TO "SVP" 181+75.00

**TYPICAL CROSS SECTIONS**  
NO SCALE

X-9

REVISIONS: [Grid for revisions]  
 REVISION BY: [Grid for revision names]  
 DATE REVISION: [Grid for revision dates]

BRYAN E. STONE  
 DEREK W. MINNEMA  
 ROBERT A. HIMES

CALCULATED/DESIGNED BY: [Grid]  
 CHECKED BY: [Grid]

CONSULTANT: FUNCTIONAL SUPERVISOR  
 DEPARTMENT OF TRANSPORTATION

STATE OF CALIFORNIA - DEPARTMENT OF TRANSPORTATION  
**Caltrans**

USERNAME => JNETTLETON  
 DGN FILE => svp\_X-1 THRU X-11.dwg

RELATIVE BORDER SCALE  
 1" = 10'

UNIT 0259

PROJECT NUMBER & PHASE 13-0677 D 100968

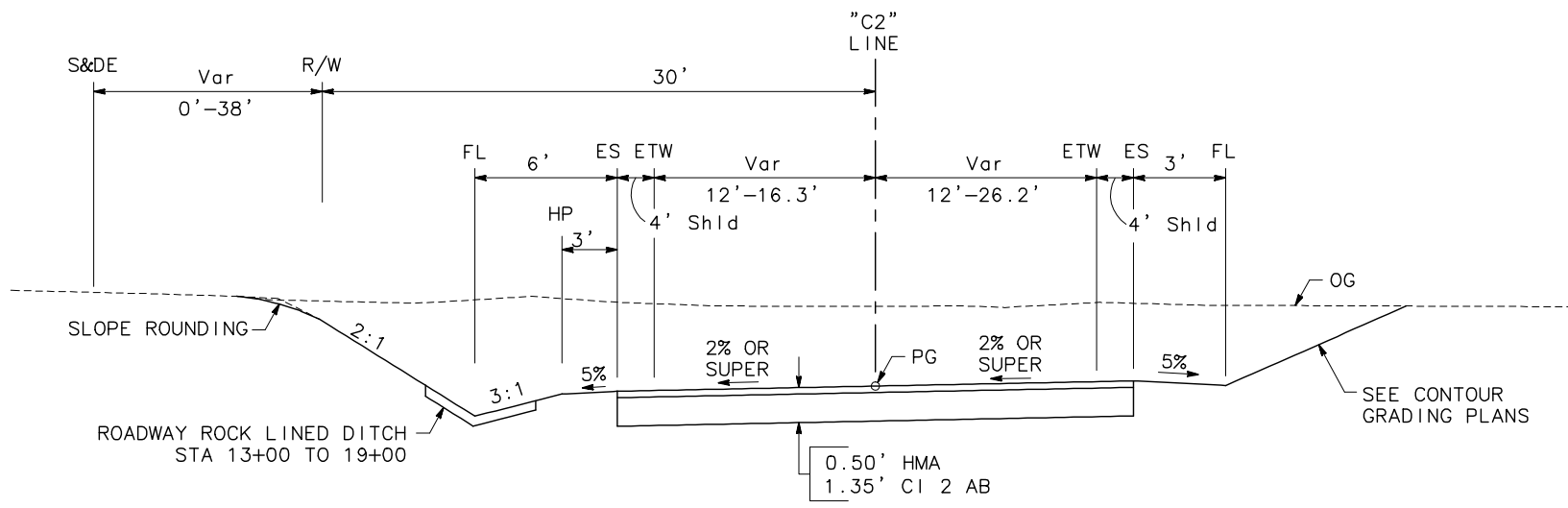
CAD USER: jnettleton  
 PLOT DATE: Oct 16, 2012-08:23:03pm  
 PLOT FILE: svp\_X-1 THRU X-11

COUNTY CIP: 71328  
 EA: 03-1E290  
 DATE PLOTTED => 7/14/2010  
 TIME PLOTTED => 9:29 AM

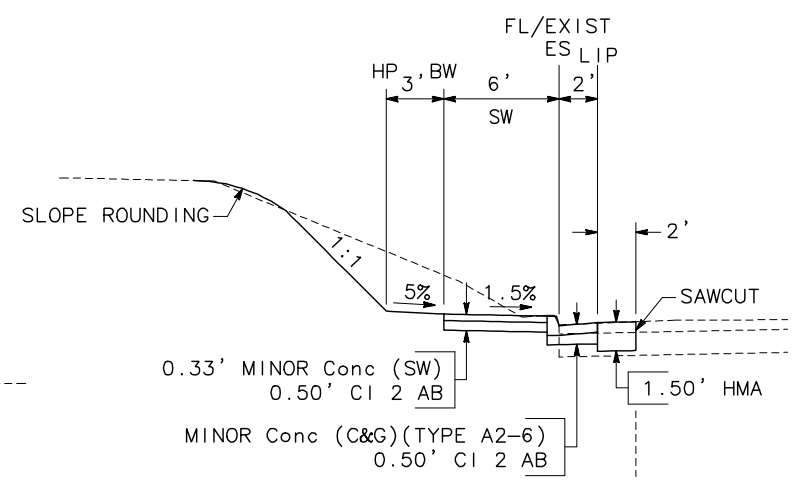
Dist	COUNTY	ROUTE	POST MILES TOTAL PROJECT	SHEET No.	TOTAL SHEETS
03	ED	50	1.07/R2.40	11	367

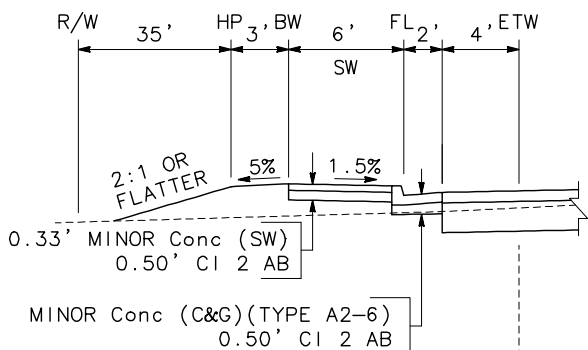
REGISTERED CIVIL ENGINEER DATE	
OCTOBER 19, 2012	
PLANS APPROVAL DATE	
<small>THE STATE OF CALIFORNIA OR ITS OFFICERS OR AGENTS SHALL NOT BE RESPONSIBLE FOR THE ACCURACY OR COMPLETENESS OF SCANNED OR ELECTRONIC COPIES OF THIS PLAN SHEET.</small>	
MARK THOMAS & CO. INC. 7300 FOLSOM BLVD STE 203 SACRAMENTO, CA 95826	COUNTY OF EL DORADO DEPT. OF TRANSPORTATION 2850 FAIRLANE COURT PLACERVILLE, CA 95667



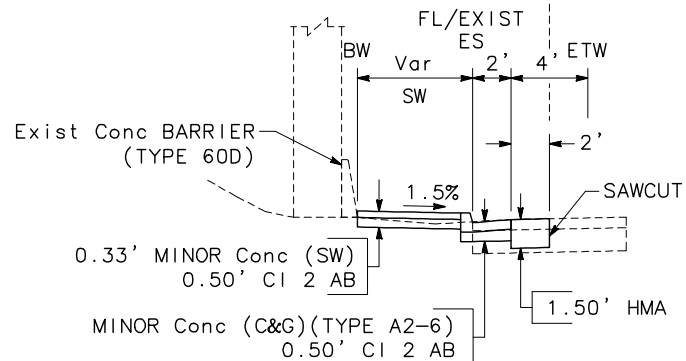
**CLARKSVILLE CROSSING  
(OLD WHITE ROCK ROAD)**  
STA "C2" 12+28.54 TO "C2" 18+95.31



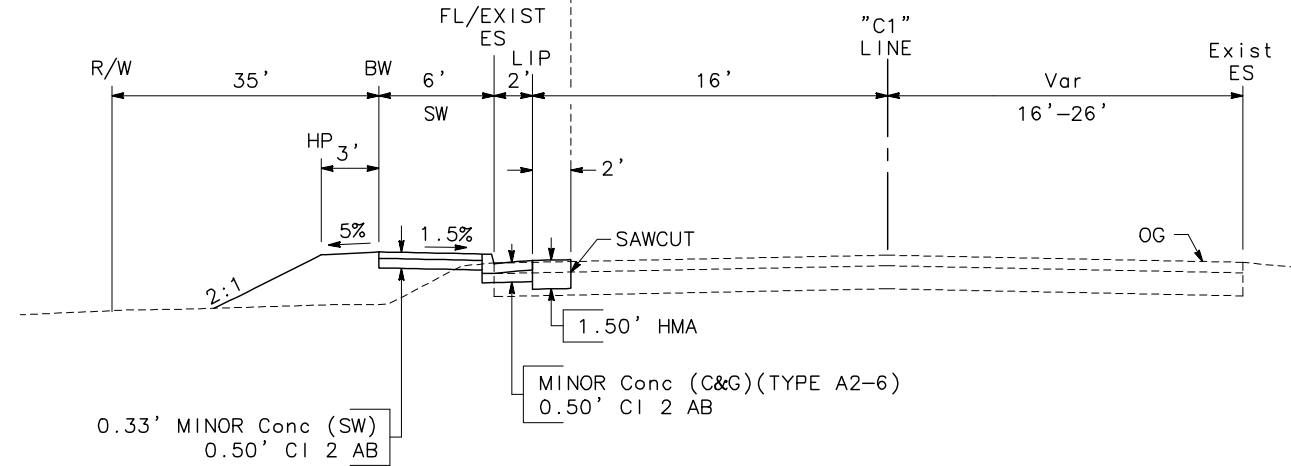
**CLARKSVILLE CROSSING  
(OLD SILVA VALLEY PARKWAY)**  
STA "C1" 30+75.00 TO "C1" 31+42.80  
STA "C1" 32+89.63 TO "C1" 36+50.00



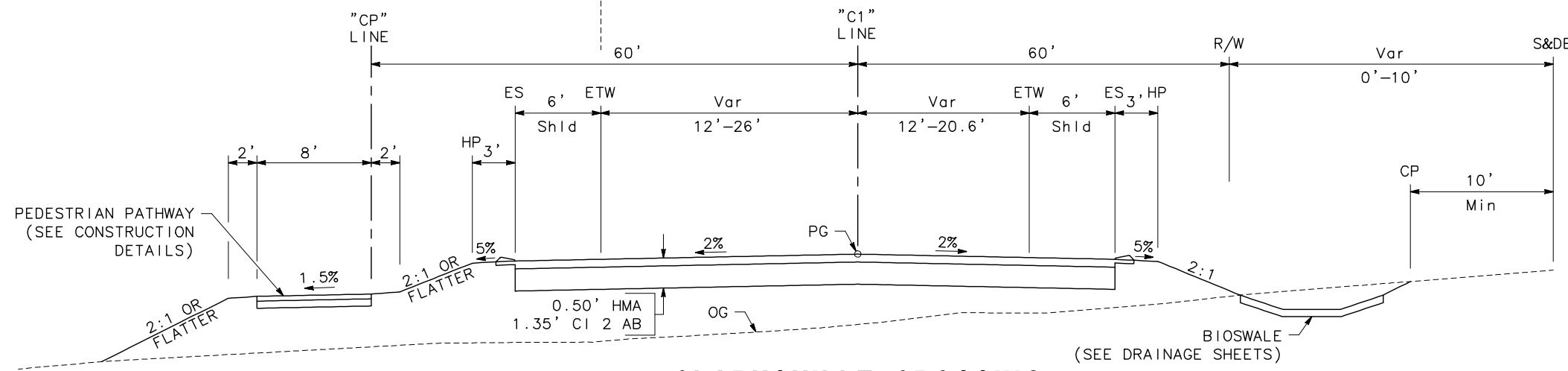
**CLARKSVILLE CROSSING  
(OLD SILVA VALLEY PARKWAY)**  
STA "C1" 23+05.13 TO "C1" 27+00.00



**CLARKSVILLE CROSSING  
(OLD SILVA VALLEY PARKWAY)**  
STA "C1" 31+42.80 TO "C1" 32+89.63



**CLARKSVILLE CROSSING  
(OLD SILVA VALLEY PARKWAY)**  
STA "C1" 27+00.00 TO "C1" 48+25.22



**CLARKSVILLE CROSSING  
(OLD SILVA VALLEY PARKWAY)**  
STA "C1" 20+74.03 TO "C1" 27+00.00

**TYPICAL CROSS SECTIONS**  
NO SCALE

**X-10**

CAD USER: jnettleton  
 BRYAN E. STONE  
 DEREK W. MINNEMA  
 ROBERT A. HIMES  
 DEPARTMENT OF TRANSPORTATION  
 STATE OF CALIFORNIA  
 Et-Caltans

USERNAME => JNETTLETON  
DGN FILE => svp\_X-1 THRU X-11.dwg

RELATIVE BORDER SCALE IS IN INCHES  
0 1 2 3

UNIT 0259

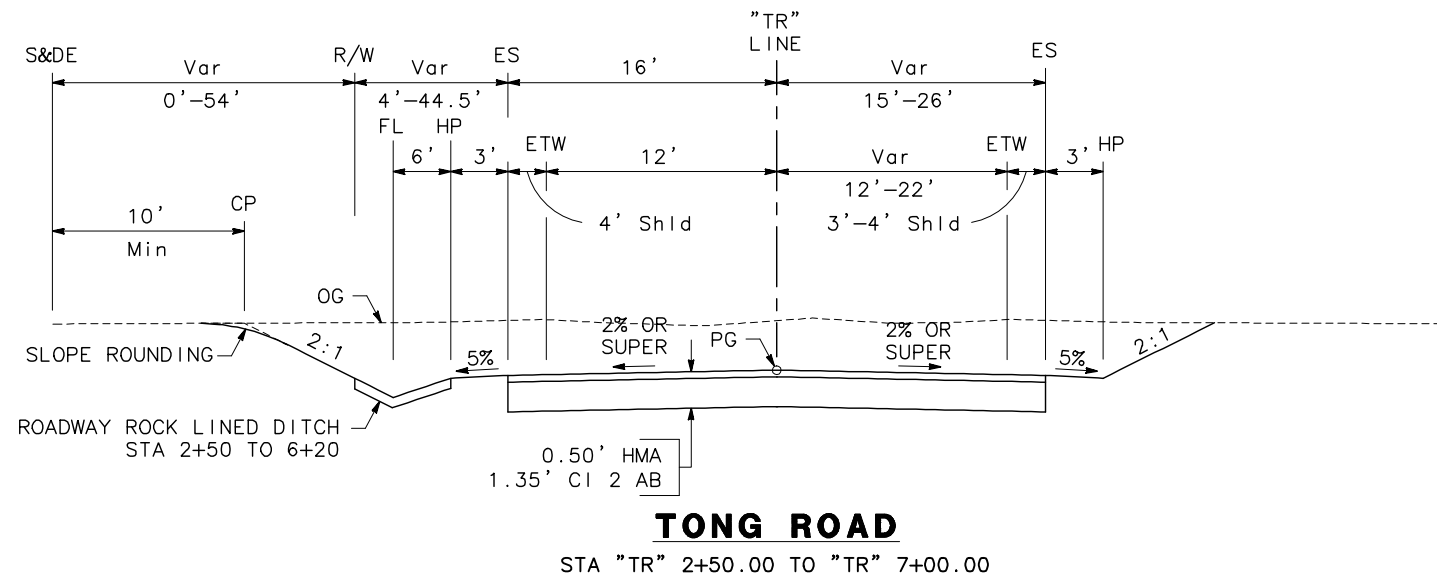
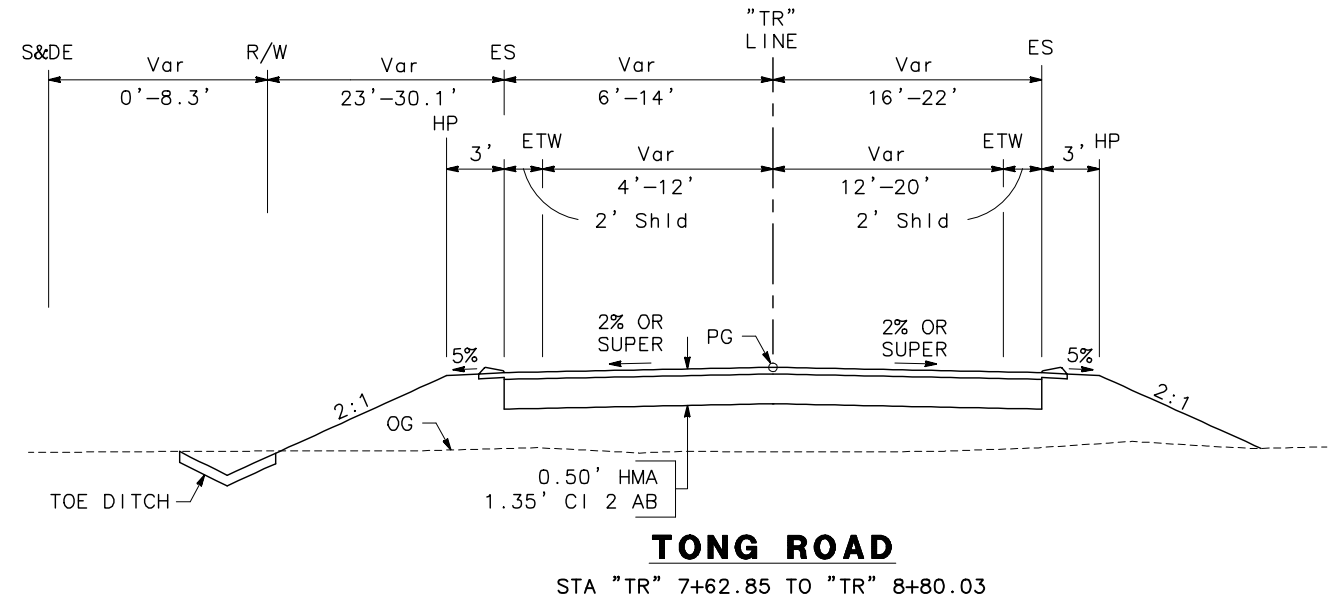
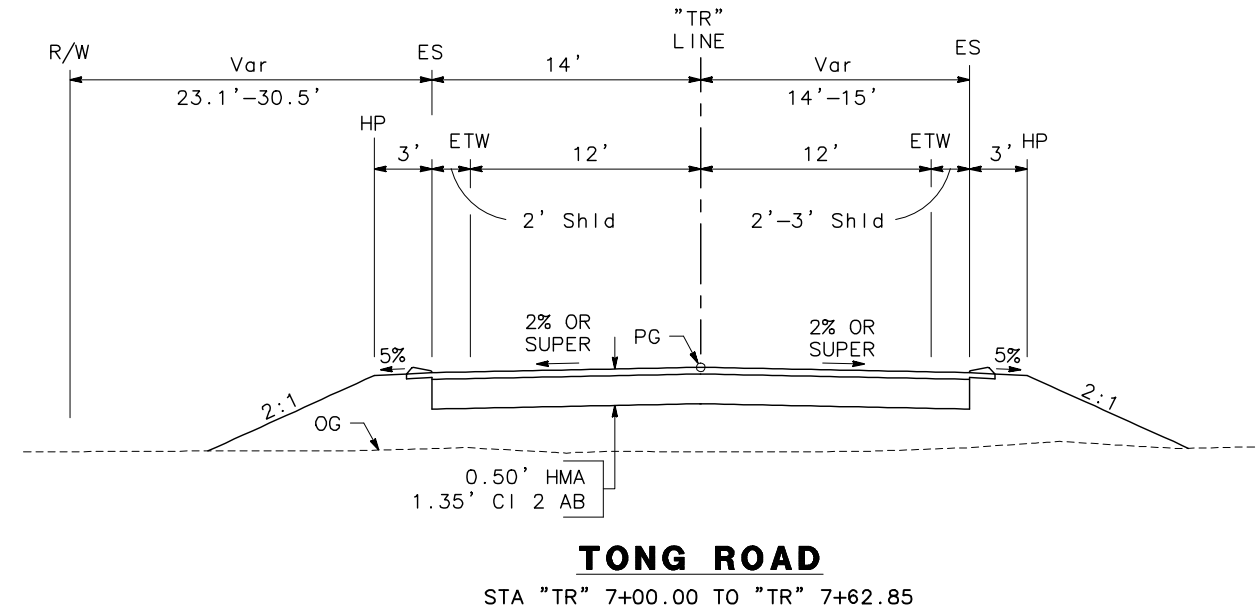
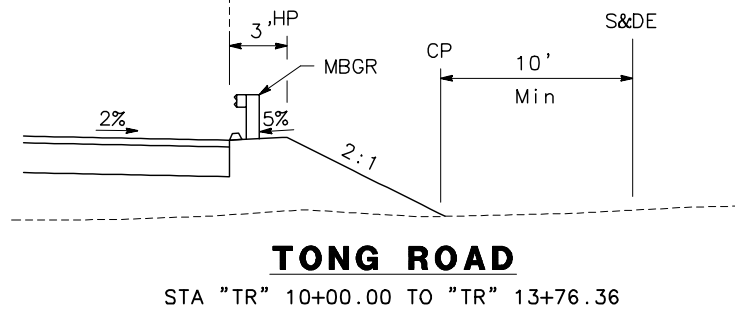
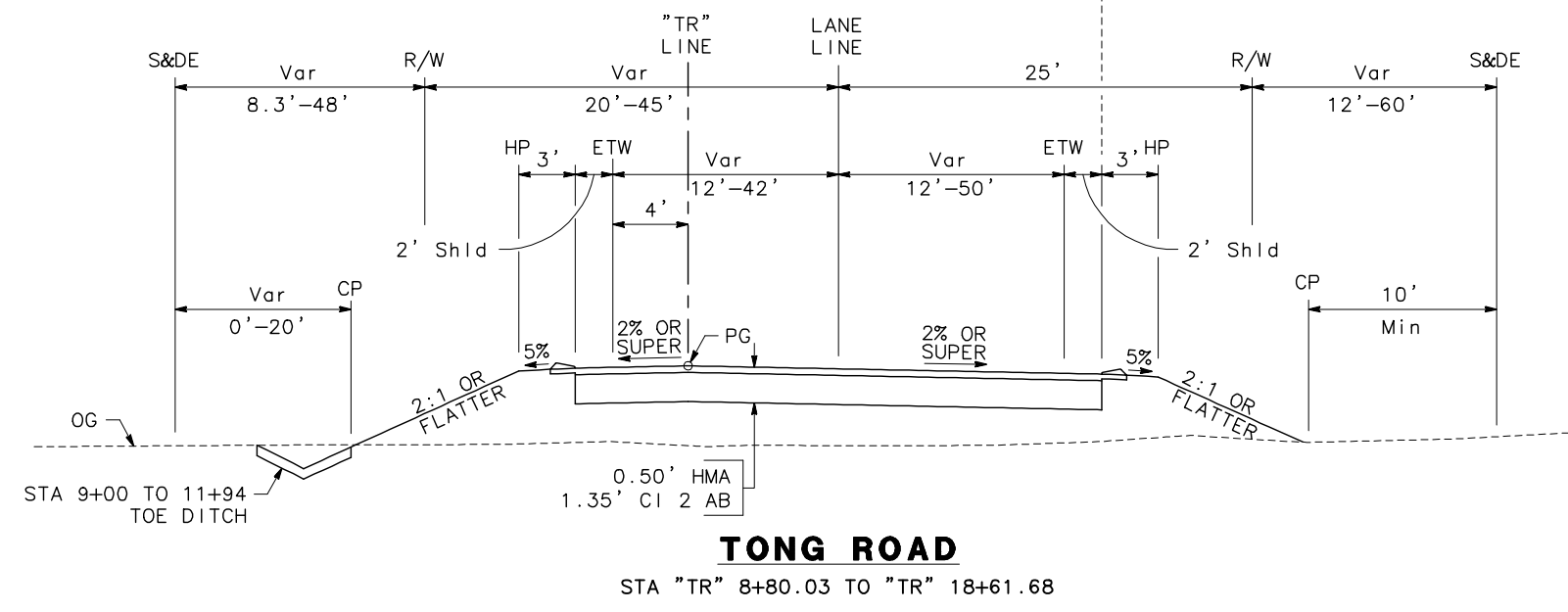
PROJECT NUMBER & PHASE 13-0677 D 11 of 68

EA: 03-1E290  
 COUNTY CIP: 71328  
 DATE PLOTTED => 7/14/2010  
 TIME PLOTTED => 9:29 AM

Dist	COUNTY	ROUTE	POST MILES TOTAL PROJECT	SHEET No.	TOTAL SHEETS
03	ED	50	1.07/R2.40	12	367

REGISTERED CIVIL ENGINEER DATE OCTOBER 19, 2012 PLANS APPROVAL DATE	
MARK THOMAS & CO. INC. 7300 FOLSOM BLVD STE 203 SACRAMENTO, CA 95826	COUNTY OF EL DORADO DEPT. OF TRANSPORTATION 2850 FAIRLANE COURT PLACERVILLE, CA 95667



**TYPICAL CROSS SECTIONS**  
NO SCALE

**X-11**

STATE OF CALIFORNIA - DEPARTMENT OF TRANSPORTATION  
 Et-Caltans  
 CONSULTANT FUNCTIONAL SUPERVISOR: ROBERT A. HIMES  
 CHECKED BY: DEREK W. MINNEMA  
 REVISIONS BY: BRYAN E. STONE  
 DATE REVISIONS: [blank]

USERNAME => JNETTLETON  
 DGN FILE => svp\_X-1 THRU X-11.dwg

RELATIVE BORDER SCALE  
 15 IN INCHES

UNIT 0259

PROJECT NUMBER & PHASE 13-0677 D 12 OF 68

CAD USER: jnettleton  
 PLOT DATE: Oct 16, 2012-08:55:06pm  
 PLOT DATE: Oct 16, 2012-08:55:06pm  
 PLOT DATE: Oct 16, 2012-08:55:06pm

EA: 03-1E290  
 COUNTY CIP: 71328  
 DATE PLOTTED => 7/14/2010  
 TIME PLOTTED => 9:29 AM

STATE OF CALIFORNIA - DEPARTMENT OF TRANSPORTATION  
**St. Catrans**  
 CONSULTANT FUNCTIONAL SUPERVISOR: ROBERT A. HIMES  
 CALCULATED/DESIGNED BY: BRYAN E. STONE  
 CHECKED BY: DEREK W. MINNEMA  
 REVISED BY: BRYAN E. STONE  
 DATE REVISED: [ ]

Dist	COUNTY	ROUTE	POST MILES TOTAL PROJECT	SHEET No.	TOTAL SHEETS
03	ED	50	1.07/R2.40	13	367

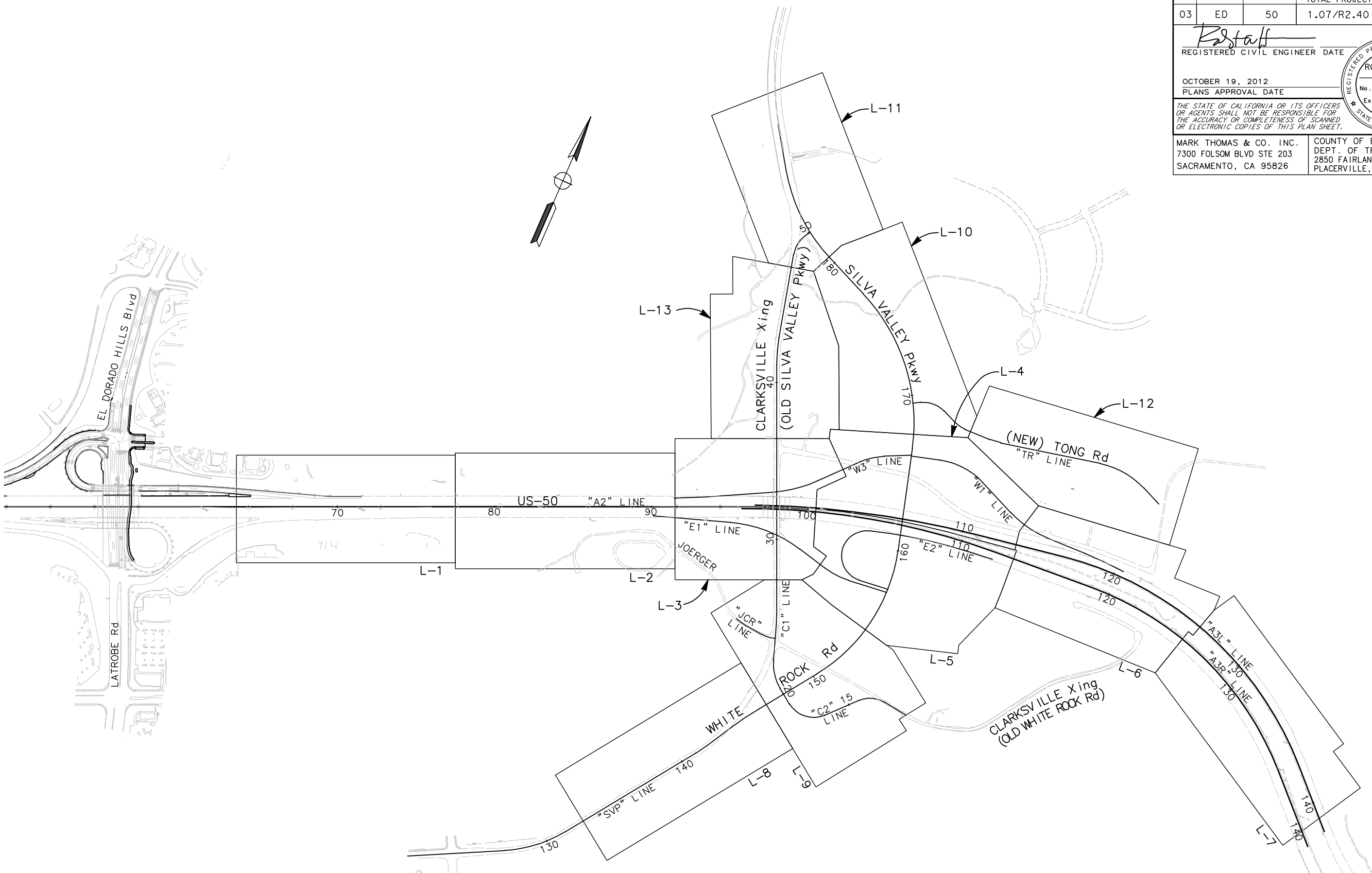
*Estaff*  
 REGISTERED CIVIL ENGINEER DATE  
 OCTOBER 19, 2012  
 PLANS APPROVAL DATE

THE STATE OF CALIFORNIA OR ITS OFFICERS OR AGENTS SHALL NOT BE RESPONSIBLE FOR THE ACCURACY OR COMPLETENESS OF SCANNED OR ELECTRONIC COPIES OF THIS PLAN SHEET.

MARK THOMAS & CO. INC.  
 7300 FOLSOM BLVD STE 203  
 SACRAMENTO, CA 95826

COUNTY OF EL DORADO  
 DEPT. OF TRANSPORTATION  
 2850 FAIRLANE COURT  
 PLACERVILLE, CA 95667

REGISTERED PROFESSIONAL ENGINEER  
**ROBERT A. HIMES**  
 No. 45787  
 Exp 12/31/12  
 CIVIL  
 STATE OF CALIFORNIA



**KEY MAP & LINE INDEX**  
 NO SCALE


**K-1**

COUNTY CIP: 71328  
 EA: 03-1E290  
 DATE PLOTTED => 8/17/2010  
 TIME PLOTTED => 7:43:43 AM

STATE OF CALIFORNIA - DEPARTMENT OF TRANSPORTATION  
**Stantec**  
 CONSULTANT FUNCTIONAL SUPERVISOR: ROBERT A. HIMES  
 CALCULATED/DESIGNED BY: [blank]  
 CHECKED BY: [blank]  
 REVISIONS: [blank]  
 DESIGNED BY: [blank]  
 DATE: [blank]  
 REVISOR: BRYAN E. STONE  
 DATE: [blank]  
 REVISOR: MATT STRINGER  
 DATE: [blank]

- NOTES:**
- FOR COMPLETE PROJECT CONTROL DATA, SEE THE SURVEY RECORDS ON FILE IN THE SURVEYS DEPARTMENT AT THE DISTRICT OFFICE.
  - CONTRACTOR SHALL COMPLY WITH BUSINESS AND PROFESSIONS CODE SECTION 8771(b) REGARDING REFERENCING, PRESERVING AND RECONSTRUCTING MONUMENTS, WHETHER OR NOT MONUMENTS ARE SHOWN IN THESE PLANS.
  - CONTRACTOR SHALL PROVIDE THE ENGINEER A MINIMUM OF TWO (2) WEEKS NOTICE PRIOR TO COMMENCING ANY WORK THAT COULD DAMAGE OR DESTROY ANY SURVEY MONUMENTS.
  - FOR MONUMENT INFORMATION SEE CONSTRUCTION DETAIL SHEETS (FENCE PLAN).
  - IN THE EVENT GPS MACHINE CONTROL/GUIDANCE IS USED FOR THIS PROJECT, THE CONTRACTOR SHALL CONTACT AND MEET WITH THE SURVEYS DEPARTMENT AT THE DISTRICT OFFICE TO OBTAIN THE CONTROL NECESSARY TO ESTABLISH A PROJECT CALIBRATION COMPATIBLE FOR ALL USERS.
  - BASIS OF BEARINGS AND COORDINATES:**  
 COORDINATES SHOWN ARE CCS83 (CORS) EPOCH 1991.35 ZONE 2 BASED ON HPGN D CA 03 DL AND E856. DISTANCES SHOWN ARE GRID DISTANCES. MULTIPLY DISTANCES SHOWN BY 1.00009 TO OBTAIN GROUND DISTANCES.
  - BASIS OF ELEVATIONS:**  
 ORTHOMETRIC HEIGHTS SHOWN ARE NGVD 29 BASED ON HPGN D CA 03 DL HAVING AN ELEVATION OF 693.55 FEET.

**ABBREVIATIONS:**  
 GPS - GLOBAL POSITIONING SYSTEM  
 PID - NATIONAL GEODETIC SURVEY PERMANENT IDENTIFIER

**LEGEND:**  
 PROJECT BENCHMARK

Dist	COUNTY	ROUTE	POST MILES TOTAL PROJECT	SHEET No.	TOTAL SHEETS
03	ED	50	1.07/R2.40	14	367

*Matthew J. Stringer*  
 LICENSED LAND SURVEYOR DATE  
 OCTOBER 19, 2012  
 PLANS APPROVAL DATE

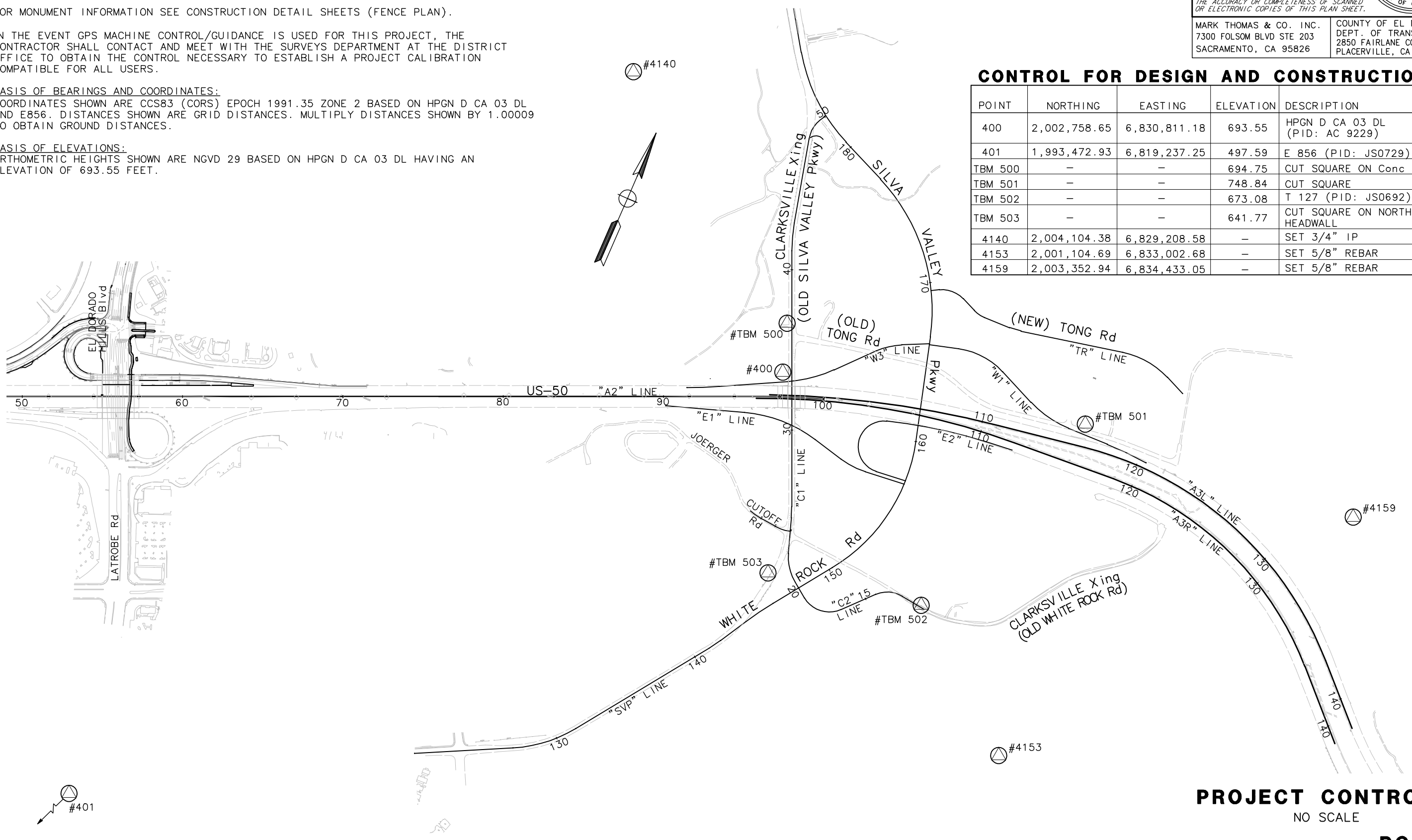
THE STATE OF CALIFORNIA OR ITS OFFICERS OR AGENTS SHALL NOT BE RESPONSIBLE FOR THE ACCURACY OR COMPLETENESS OF SCANNED OR ELECTRONIC COPIES OF THIS PLAN SHEET.

MARK THOMAS & CO. INC.  
 7300 FOLSOM BLVD STE 203  
 SACRAMENTO, CA 95826

COUNTY OF EL DORADO  
 DEPT. OF TRANSPORTATION  
 2850 FAIRLANE COURT  
 PLACERVILLE, CA 95667

**CONTROL FOR DESIGN AND CONSTRUCTION**

POINT	NORTHING	EASTING	ELEVATION	DESCRIPTION
400	2,002,758.65	6,830,811.18	693.55	HPGN D CA 03 DL (PID: AC 9229)
401	1,993,472.93	6,819,237.25	497.59	E 856 (PID: JS0729)
TBM 500	-	-	694.75	CUT SQUARE ON Conc PAD
TBM 501	-	-	748.84	CUT SQUARE
TBM 502	-	-	673.08	T 127 (PID: JS0692)
TBM 503	-	-	641.77	CUT SQUARE ON NORTH HEADWALL
4140	2,004,104.38	6,829,208.58	-	SET 3/4" IP
4153	2,001,104.69	6,833,002.68	-	SET 5/8" REBAR
4159	2,003,352.94	6,834,433.05	-	SET 5/8" REBAR



**PROJECT CONTROL**  
 NO SCALE

**PC-1**

THIS PLAN ACCURATE FOR PROJECT CONTROL INFORMATION ONLY

LAST REVISION DATE PLOTTED => 8/17/2010 00-00-00 TIME PLOTTED => 9:00:13 PM

CAD USER: jnettleton  
 PLOT DATE: Oct 16, 2012-09:20:46pm  
 PLOT FILE: V:\West Valley LLC-55-0162B-Silva Valley Pkwy (C:\CADD\DrawFiles\NAME: svp\_L-1 THRU L-7

STATE OF CALIFORNIA - DEPARTMENT OF TRANSPORTATION	CONSULTANT FUNCTIONAL SUPERVISOR	REVISIONS
<b>Caltrans</b>	ROBERT A. HIMES	REVISOR: JEFF NETTLETON
	CHECKED BY: DEREK W. MINNEMA	DATE: [REVISOR]

- NOTES:**
- FOR COMPLETE STATE RIGHT OF WAY AND ACCURATE ACCESS DATA, CONTACT RIGHT OF WAY ENGINEERING AT DISTRICT OFFICE.
  - FOR COMPLETE COUNTY RIGHT OF WAY, CONTACT EL DORADO COUNTY.
  - ALL CALLOUTS TO MINOR CONC (C&G) (TYPE A2-6) ARE TO FLOWLINE UNLESS OTHERWISE NOTED.
  - FOR COLD PLANE AND OVERLAY DETAILS, SEE TYPICAL SECTIONS.
  - FOR RUMBLE STRIP DETAIL AT RAMPS, SEE CONSTRUCTION DETAILS, SHEET C-1. RUMBLE STRIP TO BE INSTALLED PER CALTRANS STANDARD PLAN A40B WITHIN OVERLAY/NEW PAVEMENT LIMITS ON MAINLINE.
  - SEE CONSTRUCTION DETAILS FOR LAYOUT INFORMATION FOR: MVPs, CEAs, GORE PAVING, MEDIAN ISLANDS, CURB RAMPS, CROWN DETAILS, DRIVEWAYS, UTILITY ACCESS POINTS, PAVING CONFORMS, FENCING, MONUMENT LOCATIONS, TREE REMOVAL, AND ADDITIONAL HMA DIKE LIMITS NOT SHOWN.
  - SEE CONTOUR GRADING SHEETS FOR AREAS WHERE CUT AND FILL LINES ARE NOT SHOWN.
  - SEE CONSTRUCTION DETAILS FOR MANHOLES AND VALVES TO BE ADJUSTED TO GRADE.

- FOR PAVING CONFORM DETAIL SEE SHEET C-3. FOR LIMITS OF PAVING CONFORMS SEE CONSTRUCTION DETAILS.
- INSTALL MBGR PER CALTRANS STANDARD PLAN A77A1 AND LAYOUT TYPE 11E PER A77E2 OR TYPE 16B PER A77G3.
- INSTALL SFT PER CALTRANS STANDARD PLAN A77H1.
- INSTALL WBTR PER CALTRANS STANDARD PLAN A77J4.
- INSTALL DOUBLE MBGR PER CALTRANS STANDARD PLAN A77G1.
- INSTALL TYPICAL VEGETATION CONTROL WITH MBGR PER CALTRANS STANDARD PLANS A77C5 TO A77C10.
- INSTALL PEDESTRIAN BARRICADE PER CALTRANS STANDARD PLAN ES-7Q.
- INSTALL STREET BARRICADE PER EDOT STANDARD PLAN 105C.
- INSTALL C&G (TYPE A2-6) AND CURB (TYPE A1-8 AND A3-8) PER CALTRANS STANDARD PLAN A87A.
- ALL HMA GUTTER (Misc AREA) WILL BE QUANTIFIED UNDER PLACE HMA (Misc AREA).
- INSTALL CONC BARRIER (TYPE 60 & TYPE 60F) PER CALTRANS STANDARD PLANS A76A, A76B, AND A76C.

**ABBREVIATIONS**

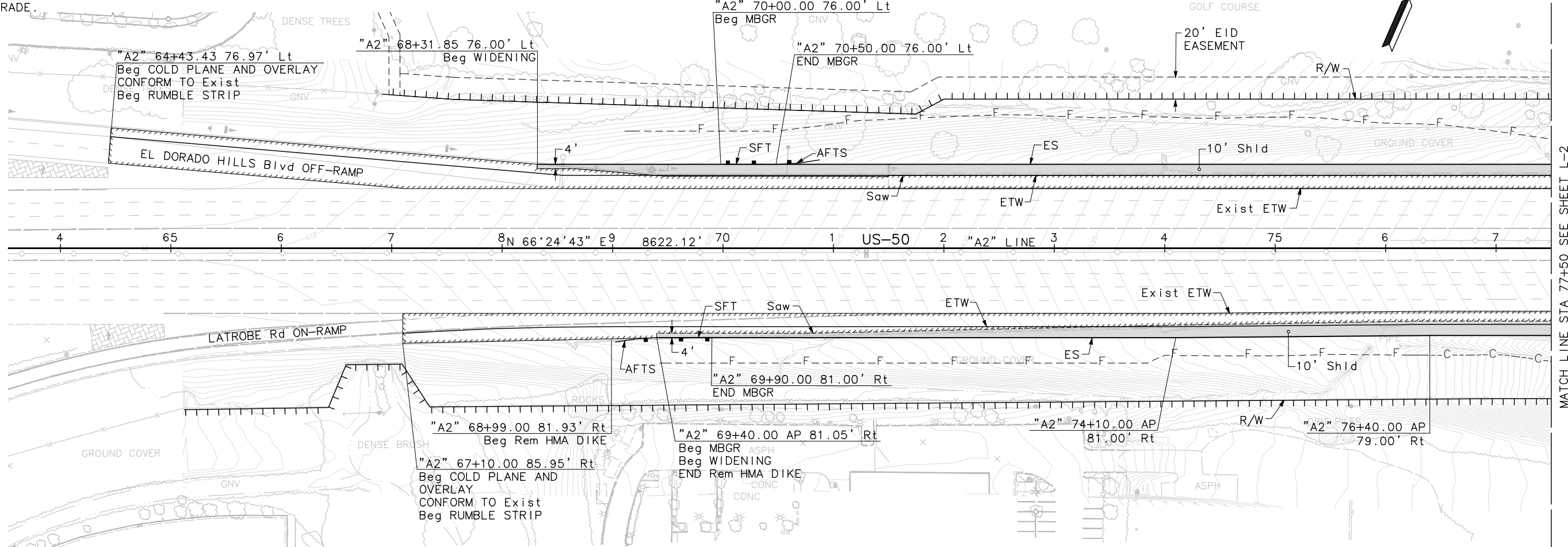
AFTS	ALTERNATIVE FLARED TERMINAL SYSTEM
AP	ANGLE POINT
CEA	CHP ENFORCEMENT AREA
COLD PLANE	COLD PLANE AC PvmT
EDOT	EL DORADO COUNTY DEPARTMENT OF TRANSPORTATION
EID	EL DORADO IRRIGATION DISTRICT
MVP	MAINTENANCE VEHICLE PULLOUT
Reconst	RECONSTRUCT
Rem	REMOVE
RHMA-O	RUBBERIZED HOT MIX ASPHALT (OPEN GRADED)
S&DE	SLOPE AND DRAINAGE EASEMENT
Saw	SAWCUT
SFT	END ANCHOR ASSEMBLY (TYPE SFT)
WBTR	TRANSITION RAILING (TYPE WB)
TFESA	TEMPORARY FENCE (TYPE ESA)

Dist	COUNTY	ROUTE	POST MILES TOTAL PROJECT	SHEET No.	TOTAL SHEETS
03	ED	50	1.07/R2.40	15	367

REGISTERED CIVIL ENGINEER DATE  
 OCTOBER 19, 2012  
 PLANS APPROVAL DATE

THE STATE OF CALIFORNIA OR ITS OFFICERS OR AGENTS SHALL NOT BE RESPONSIBLE FOR THE ACCURACY OR COMPLETENESS OF SCANNED OR ELECTRONIC COPIES OF THIS PLAN SHEET.

MARK THOMAS & CO. INC. 7300 FOLSOM BLVD STE 203 SACRAMENTO, CA 95826	COUNTY OF EL DORADO DEPT. OF TRANSPORTATION 2850 FAIRLANE COURT PLACERVILLE, CA 95667
--	--



**LEGEND**

	REMOVE BASE AND SURFACING		OBLITERATE SURFACING		SAWCUT
	NEW STRUCTURAL SECTION		COLD PLANE AND OVERLAY		PEDESTRIAN BARRICADE
	GORE AREA PAVING (SEE CONSTRUCTION DETAILS)		Var OVERLAY		STREET BARRICADE
	PAVING CONFORM (SEE CONSTRUCTION DETAILS)		SLURRY SEAL		IRRIGATION CROSSOVER

THIS PLAN ACCURATE FOR LAYOUT ONLY

**LAYOUT**  
SCALE: 1"=50'  
**L-1**

FOR COMPLETE RIGHT OF WAY AND ACCURATE ACCESS DATA,  
CONTACT RIGHT OF WAY ENGINEERING AT DISTRICT OFFICE.

Dist	COUNTY	ROUTE	POST MILES TOTAL PROJECT	SHEET No.	TOTAL SHEETS
03	ED	50	1.07/R2.40	16	367

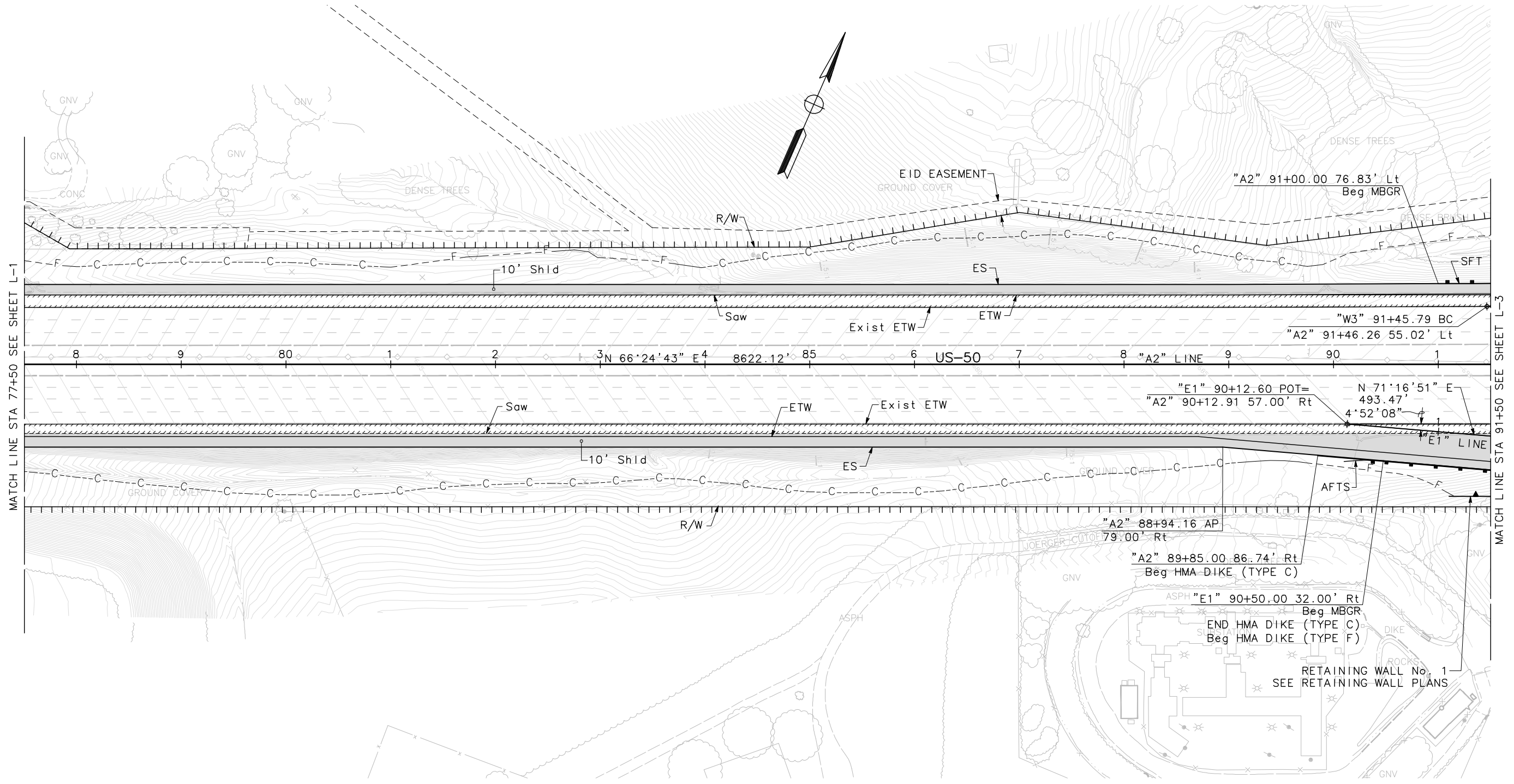
**Estaff**  
 REGISTERED CIVIL ENGINEER DATE  
 OCTOBER 19, 2012  
 PLANS APPROVAL DATE

THE STATE OF CALIFORNIA OR ITS OFFICERS OR AGENTS SHALL NOT BE RESPONSIBLE FOR THE ACCURACY OR COMPLETENESS OF SCANNED OR ELECTRONIC COPIES OF THIS PLAN SHEET.

MARK THOMAS & CO. INC.  
 7300 FOLSOM BLVD STE 203  
 SACRAMENTO, CA 95826

COUNTY OF EL DORADO  
 DEPT. OF TRANSPORTATION  
 2850 FAIRLANE COURT  
 PLACERVILLE, CA 95667

REGISTERED PROFESSIONAL ENGINEER  
**ROBERT A. HIMES**  
 No. 45787  
 Exp 12/31/12  
 CIVIL  
 STATE OF CALIFORNIA



STATE OF CALIFORNIA - DEPARTMENT OF TRANSPORTATION	CONSULTANT FUNCTIONAL SUPERVISOR	CALCULATED-DESIGNED BY	REVISOR
<b>Stantec</b>	ROBERT A. HIMES	CHECKED BY	JEFF NETTLETON
			DEREK W. MINNEMA
			DATE REVISION

THIS PLAN ACCURATE FOR LAYOUT ONLY

FOR NOTES, LEGEND AND ABBREVIATIONS, SEE L-1

**LAYOUT**  
SCALE: 1"=50'  
**L-2**

CAD USER: jnettleton  
 PLOT DATE: Oct 16, 2012-09:20:58pm  
 PLOT FILE: V:\West Valley LLC-55-0162B-Silva Valley Pkwy (C:\CADD\DrawFiles\NAME: svp\_L-1 THRU L-7

COUNTY CIP: 71328  
 EA: 03-1E290  
 DATE PLOTTED => 7/14/2010  
 TIME PLOTTED => 9:29 AM



FOR COMPLETE RIGHT OF WAY AND ACCURATE ACCESS DATA,  
CONTACT RIGHT OF WAY ENGINEERING AT DISTRICT OFFICE.

DIST	COUNTY	ROUTE	POST MILES TOTAL PROJECT	SHEET No.	TOTAL SHEETS
03	ED	50	1.07/R2.40	17	367

**Estaff**  
REGISTERED CIVIL ENGINEER DATE

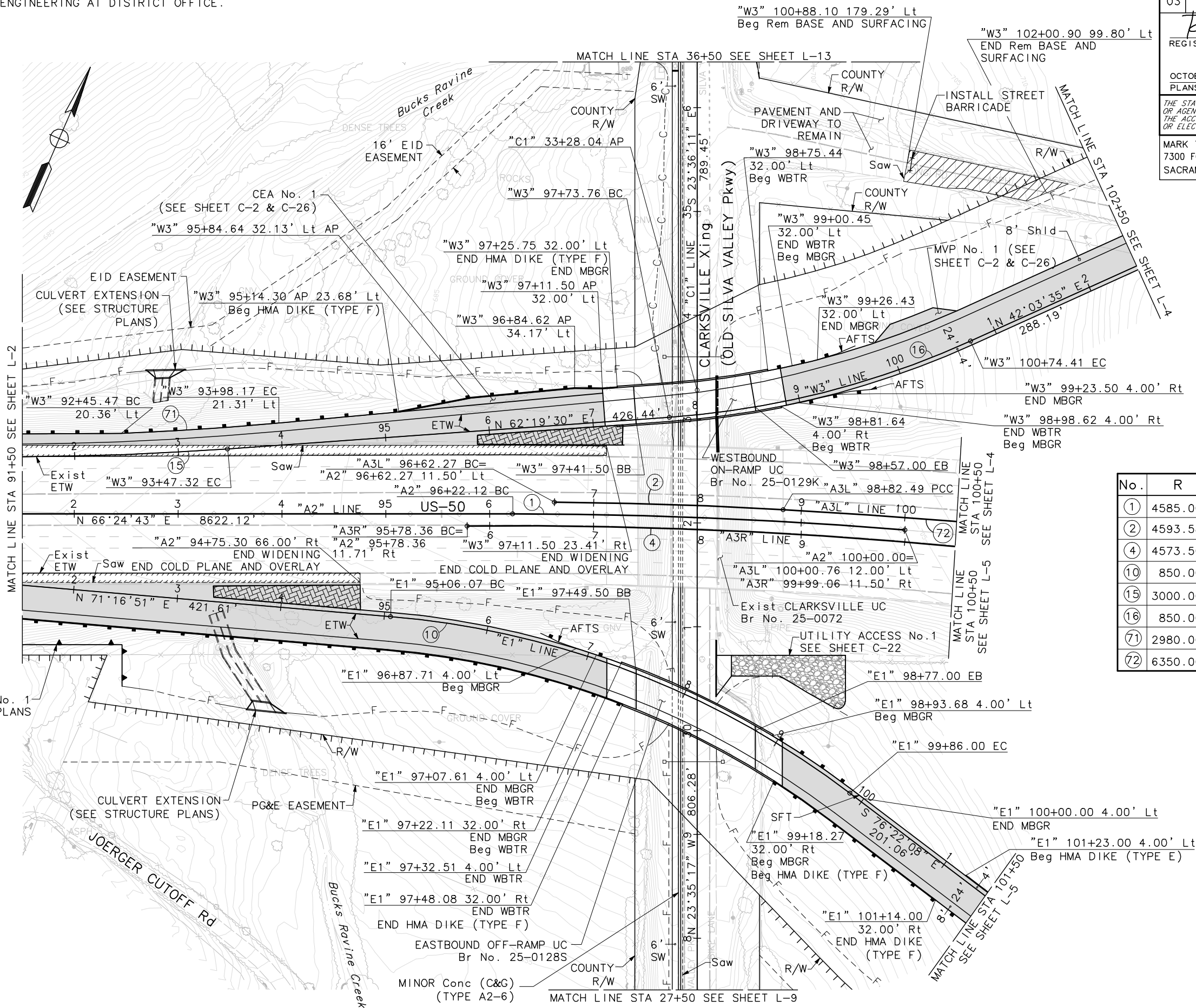
OCTOBER 19, 2012  
PLANS APPROVAL DATE

THE STATE OF CALIFORNIA OR ITS OFFICERS OR AGENTS SHALL NOT BE RESPONSIBLE FOR THE ACCURACY OR COMPLETENESS OF SCANNED OR ELECTRONIC COPIES OF THIS PLAN SHEET.

MARK THOMAS & CO. INC.  
7300 FOLSOM BLVD STE 203  
SACRAMENTO, CA 95826

COUNTY OF EL DORADO  
DEPT. OF TRANSPORTATION  
2850 FAIRLANE COURT  
PLACERVILLE, CA 95667

ROBERT A. HIMES  
No. 45787  
Exp 12/31/12  
CIVIL  
STATE OF CALIFORNIA



**CURVE DATA**

No.	R	Δ	T	L
①	4585.00'	04°43'20"	189.05'	377.88'
②	4593.58'	02°44'49"	110.13'	220.22'
④	4573.50'	20°35'50"	831.03'	1644.12'
⑩	850.00'	32°21'01"	246.55'	479.93'
⑮	3000.00'	03°50'56"	100.80'	201.53'
⑰	850.00'	20°15'55"	151.91'	300.64'
⑦①	2980.00'	02°55'21"	76.02'	152.00'
⑦②	6350.00'	11°00'49"	612.20'	1220.63'

FOR NOTES, LEGEND AND ABBREVIATIONS, SEE L-1

**LAYOUT**  
SCALE: 1"=50'  
**L-3**

THIS PLAN ACCURATE FOR LAYOUT ONLY

FOR COMPLETE RIGHT OF WAY AND ACCURATE ACCESS DATA,  
CONTACT RIGHT OF WAY ENGINEERING AT DISTRICT OFFICE.

DIST	COUNTY	ROUTE	POST MILES TOTAL PROJECT	SHEET No.	TOTAL SHEETS
03	ED	50	1.07/R2.40	18	367

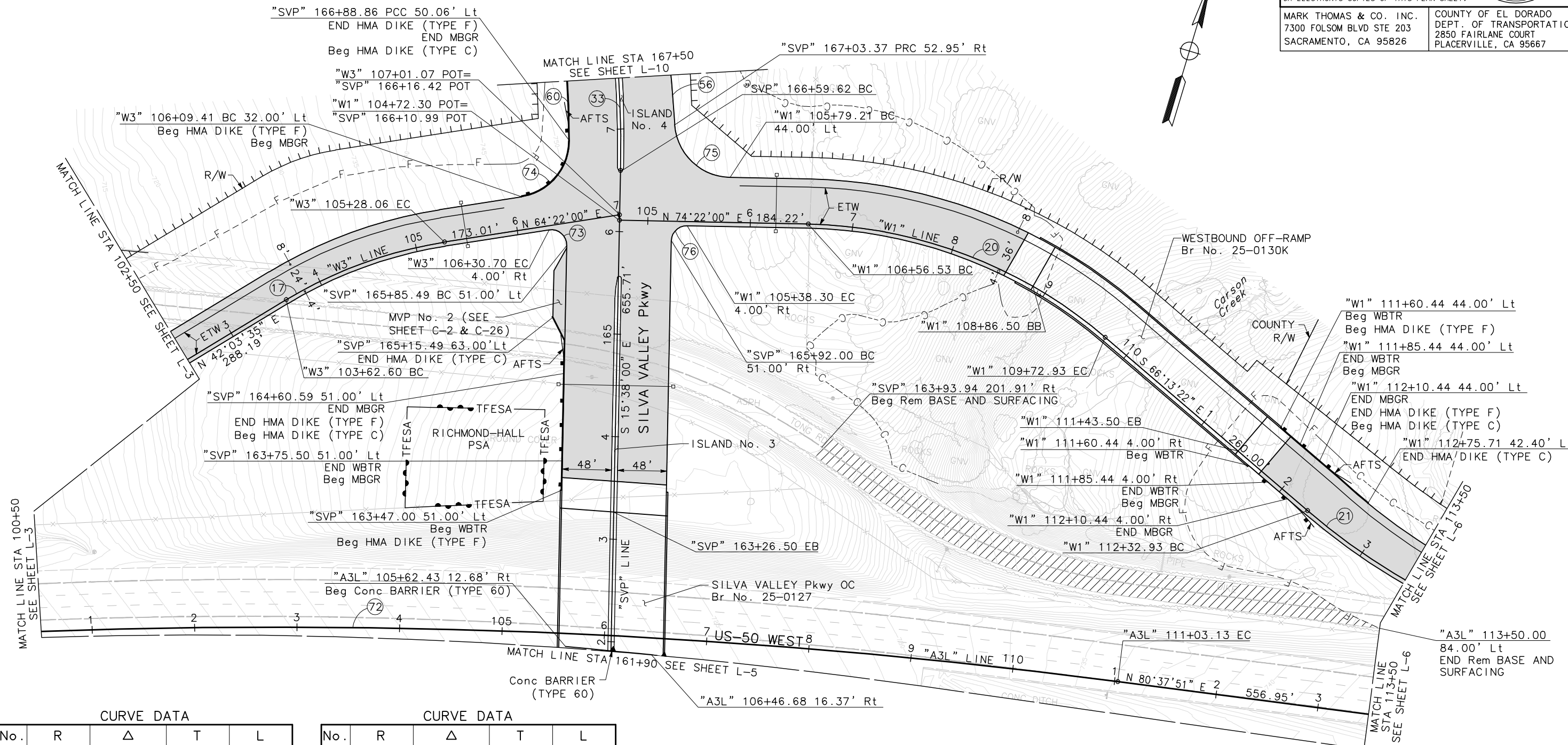
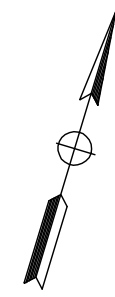
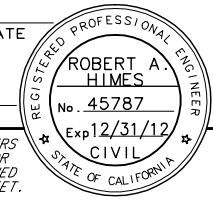
REGISTERED CIVIL ENGINEER DATE

OCTOBER 19, 2012  
PLANS APPROVAL DATE

THE STATE OF CALIFORNIA OR ITS OFFICERS OR AGENTS SHALL NOT BE RESPONSIBLE FOR THE ACCURACY OR COMPLETENESS OF SCANNED OR ELECTRONIC COPIES OF THIS PLAN SHEET.

MARK THOMAS & CO. INC.  
7300 FOLSOM BLVD STE 203  
SACRAMENTO, CA 95826

COUNTY OF EL DORADO  
DEPT. OF TRANSPORTATION  
2850 FAIRLANE COURT  
PLACERVILLE, CA 95667



CURVE DATA

No.	R	Δ	T	L
17	425.00'	22°18'25"	83.79'	165.47'
20	460.00'	39°24'38"	164.75'	316.41'
21	650.00'	25°18'04"	145.89'	287.03'
33	1200.00'	50°59'20"	572.23'	1067.91'
56	1880.00'	06°09'04"	101.01'	201.83'
60	1141.00'	23°56'32"	241.92'	476.79'

CURVE DATA

No.	R	Δ	T	L
73	15.00'	100°00'00"	17.88'	26.18'
74	55.00'	81°30'54"	47.40'	78.25'
75	55.00'	85°05'39"	50.48'	81.68'
76	15.00'	90°00'00"	15.00'	23.56'

STATE OF CALIFORNIA - DEPARTMENT OF TRANSPORTATION

CONSULTANT FUNCTIONAL SUPERVISOR: ROBERT A. HIMES

DESIGNED BY: JEFF NETTLETON

CHECKED BY: DEREK W. MINNEMA

REVISIONS: (None listed)



THIS PLAN ACCURATE FOR LAYOUT ONLY

FOR NOTES, LEGEND AND ABBREVIATIONS, SEE L-1

**LAYOUT**  
SCALE: 1"=50'  
**L-4**

FOR COMPLETE RIGHT OF WAY AND ACCURATE ACCESS DATA,  
CONTACT RIGHT OF WAY ENGINEERING AT DISTRICT OFFICE.

DIST	COUNTY	ROUTE	POST MILES TOTAL PROJECT	SHEET No.	TOTAL SHEETS
03	ED	50	1.07/R2.40	19	367

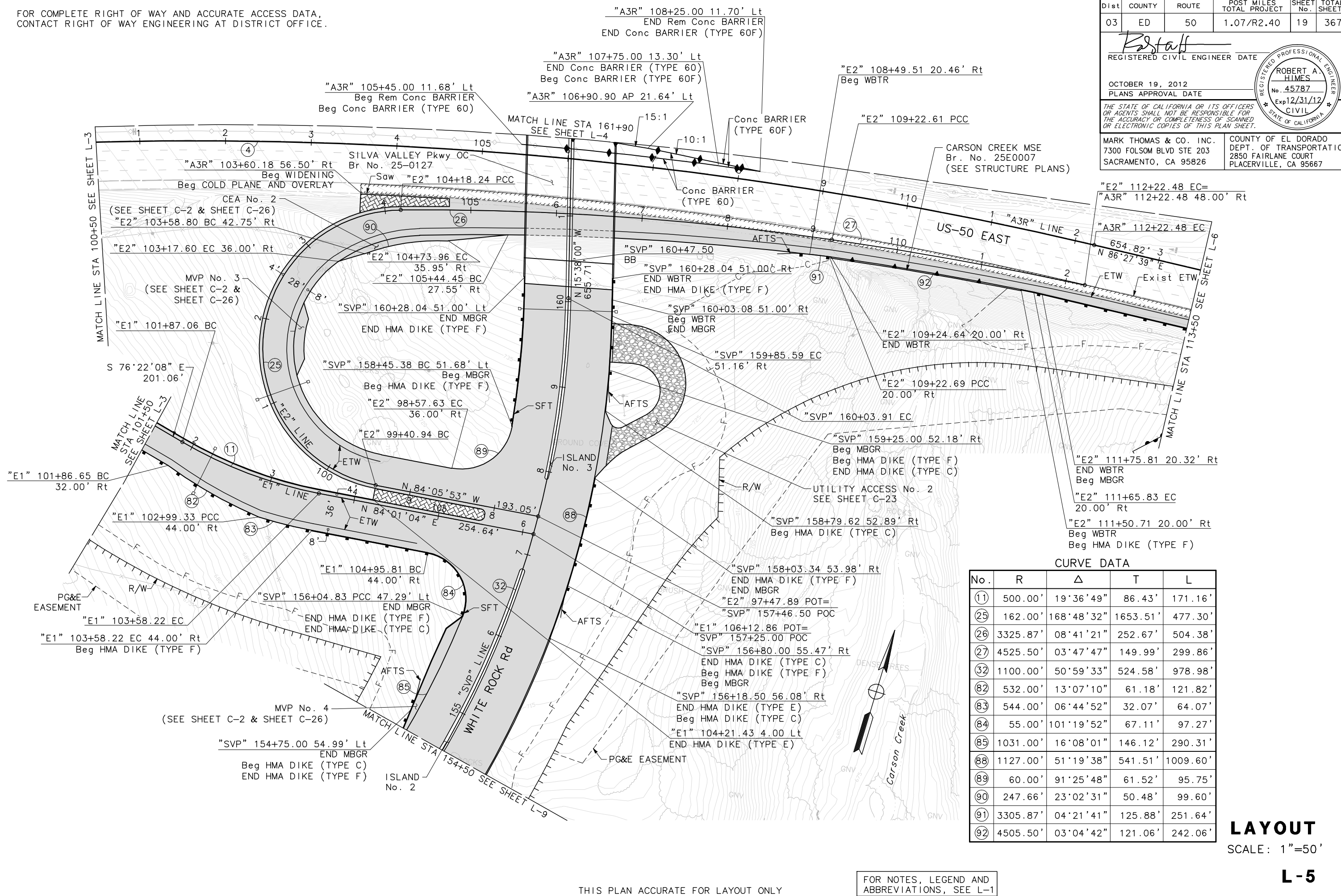
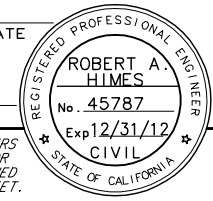
REGISTERED CIVIL ENGINEER DATE

OCTOBER 19, 2012  
PLANS APPROVAL DATE

THE STATE OF CALIFORNIA OR ITS OFFICERS OR AGENTS SHALL NOT BE RESPONSIBLE FOR THE ACCURACY OR COMPLETENESS OF SCANNED OR ELECTRONIC COPIES OF THIS PLAN SHEET.

MARK THOMAS & CO. INC.  
7300 FOLSOM BLVD STE 203  
SACRAMENTO, CA 95826

COUNTY OF EL DORADO  
DEPT. OF TRANSPORTATION  
2850 FAIRLANE COURT  
PLACERVILLE, CA 95667



CURVE DATA

No.	R	Δ	T	L
11	500.00'	19°36'49"	86.43'	171.16'
25	162.00'	168°48'32"	1653.51'	477.30'
26	3325.87'	08°41'21"	252.67'	504.38'
27	4525.50'	03°47'47"	149.99'	299.86'
32	1100.00'	50°59'33"	524.58'	978.98'
82	532.00'	13°07'10"	61.18'	121.82'
83	544.00'	06°44'52"	32.07'	64.07'
84	55.00'	101°19'52"	67.11'	97.27'
85	1031.00'	16°08'01"	146.12'	290.31'
88	1127.00'	51°19'38"	541.51'	1009.60'
89	60.00'	91°25'48"	61.52'	95.75'
90	247.66'	23°02'31"	50.48'	99.60'
91	3305.87'	04°21'41"	125.88'	251.64'
92	4505.50'	03°04'42"	121.06'	242.06'

**LAYOUT**  
SCALE: 1"=50'  
**L-5**

THIS PLAN ACCURATE FOR LAYOUT ONLY

FOR NOTES, LEGEND AND ABBREVIATIONS, SEE L-1

STATE OF CALIFORNIA - DEPARTMENT OF TRANSPORTATION

Et-Alttrans

CONSULTANT: FUNCTIONAL SUPERVISOR: ROBERT A. HIMES

DESIGNED BY: CHECKED BY:

JEFF NETTLETON

DEREK W. MINNEMA

REVISIONS:

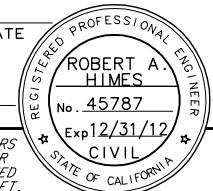
NO.	DATE	DESCRIPTION
1		

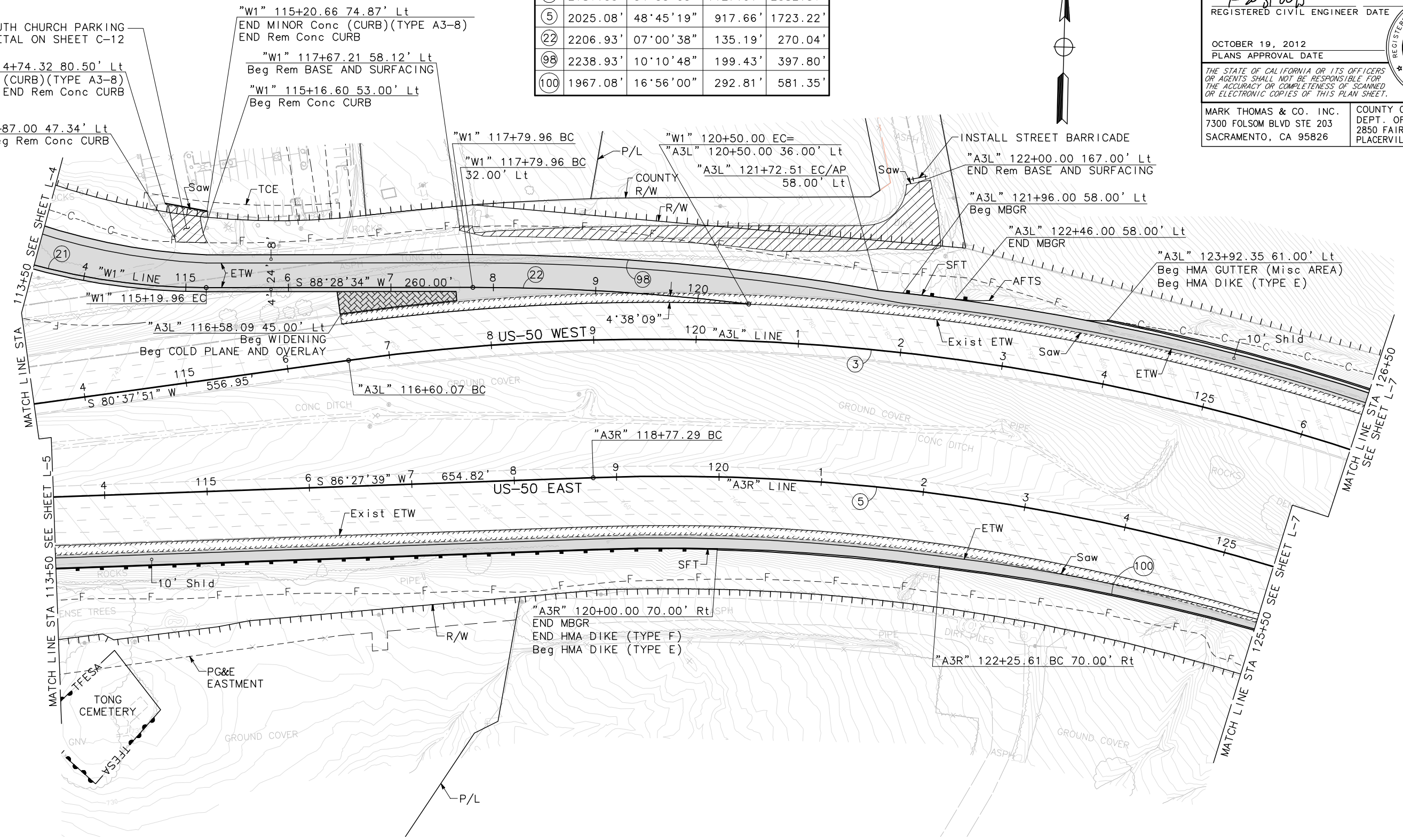
FOR COMPLETE RIGHT OF WAY AND ACCURATE ACCESS DATA,  
CONTACT RIGHT OF WAY ENGINEERING AT DISTRICT OFFICE.


CURVE DATA

No.	R	Δ	T	L
③	2186.00'	54°35'05"	1127.91'	2082.56'
⑤	2025.08'	48°45'19"	917.66'	1723.22'
②②	2206.93'	07°00'38"	135.19'	270.04'
⑨⑧	2238.93'	10°10'48"	199.43'	397.80'
⑩⑩	1967.08'	16°56'00"	292.81'	581.35'

Dist	COUNTY	ROUTE	POST MILES TOTAL PROJECT	SHEET No.	TOTAL SHEETS
03	ED	50	1.07/R2.40	20	367


  
 REGISTERED CIVIL ENGINEER DATE \_\_\_\_\_  
 OCTOBER 19, 2012  
 PLANS APPROVAL DATE \_\_\_\_\_  
 THE STATE OF CALIFORNIA OR ITS OFFICERS OR AGENTS SHALL NOT BE RESPONSIBLE FOR THE ACCURACY OR COMPLETENESS OF SCANNED OR ELECTRONIC COPIES OF THIS PLAN SHEET.  
 MARK THOMAS & CO. INC. COUNTY OF EL DORADO  
 7300 FOLSOM BLVD STE 203 DEPT. OF TRANSPORTATION  
 SACRAMENTO, CA 95826 2850 FAIRLANE COURT  
 PLACERVILLE, CA 95667



STATE OF CALIFORNIA - DEPARTMENT OF TRANSPORTATION  
  
 CONSULTANT FUNCTIONAL SUPERVISOR: ROBERT A. HIMES  
 CALCULATED/DESIGNED BY: \_\_\_\_\_  
 CHECKED BY: \_\_\_\_\_  
 REVISIONS: \_\_\_\_\_  
 REVISOR: JEFF NETTLETON  
 DATE: \_\_\_\_\_  
 REVISOR: DEREK W. MINNEMA  
 DATE: \_\_\_\_\_

CAD USER: jnettleton  
 PLOT DATE: Oct 16, 2012-09:21:38pm  
 PLOT FILE: V:\West Valley LLC-55-0162B-Silva Valley Pkwy (C:\CADD\DrawFiles\svp\_L-1 THRU L-7  
 COUNTY CIP: 71328  
 EA: 03-1E290  
 DATE PLOTTED: 7/14/2010  
 TIME PLOTTED: 9:29 AM

FOR NOTES, LEGEND AND ABBREVIATIONS, SEE L-1

THIS PLAN ACCURATE FOR LAYOUT ONLY

**LAYOUT**  
 SCALE: 1"=50'  
**L-6**

FOR COMPLETE RIGHT OF WAY AND ACCURATE ACCESS DATA,  
CONTACT RIGHT OF WAY ENGINEERING AT DISTRICT OFFICE.

CURVE DATA

No.	R	Δ	T	L
95	2232.00'	06°35'02"	128.38'	256.46'

DIST	COUNTY	ROUTE	POST MILES TOTAL PROJECT	SHEET No.	TOTAL SHEETS
03	ED	50	1.07/R2.40	21	367

*Estaff*  
REGISTERED CIVIL ENGINEER DATE

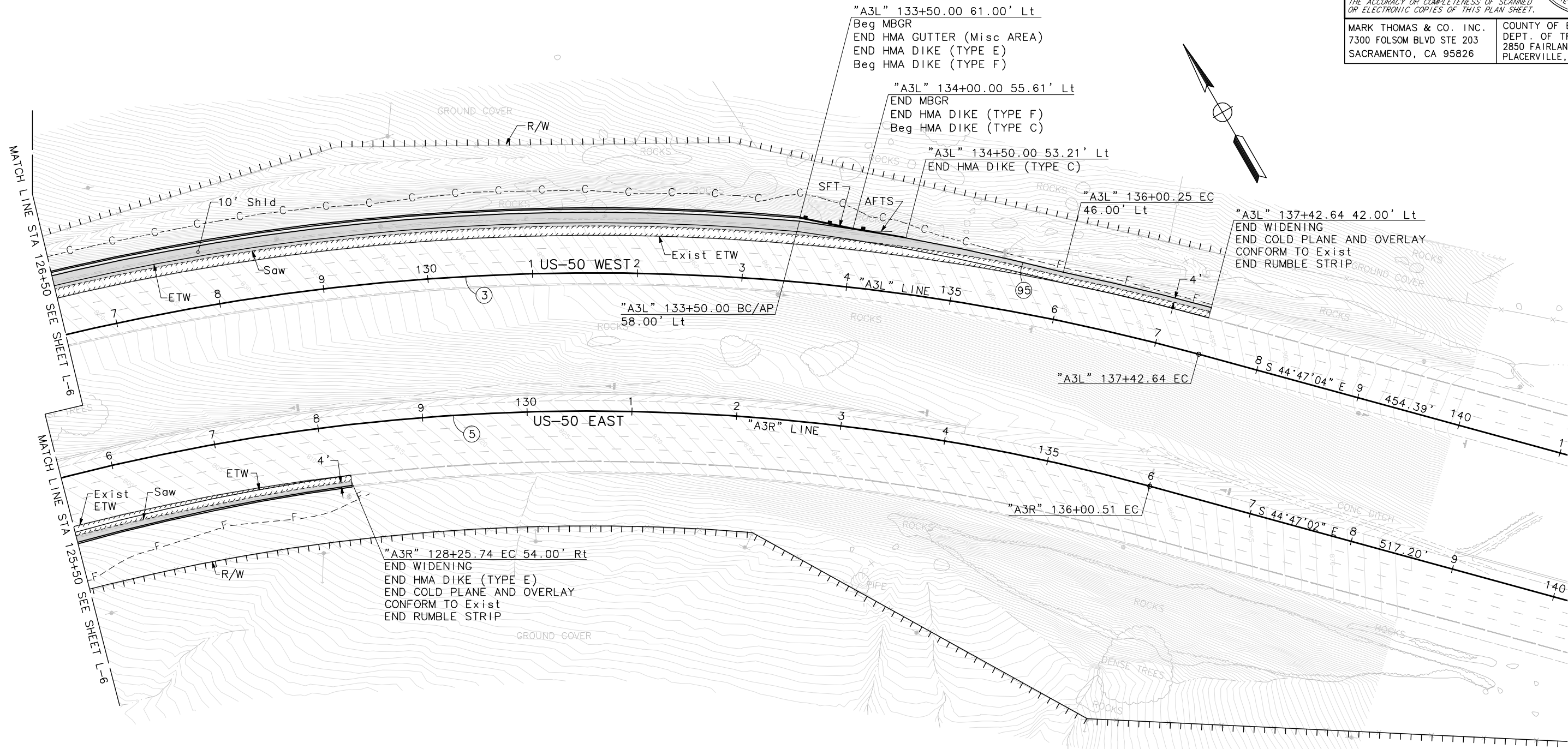
OCTOBER 19, 2012  
PLANS APPROVAL DATE

ROBERT A. HIMES  
No. 45787  
Exp 12/31/12  
CIVIL  
STATE OF CALIFORNIA

MARK THOMAS & CO. INC.  
7300 FOLSOM BLVD STE 203  
SACRAMENTO, CA 95826

COUNTY OF EL DORADO  
DEPT. OF TRANSPORTATION  
2850 FAIRLANE COURT  
PLACERVILLE, CA 95667

THE STATE OF CALIFORNIA OR ITS OFFICERS OR AGENTS SHALL NOT BE RESPONSIBLE FOR THE ACCURACY OR COMPLETENESS OF SCANNED OR ELECTRONIC COPIES OF THIS PLAN SHEET.



STATE OF CALIFORNIA - DEPARTMENT OF TRANSPORTATION  
**Caltrans**

CONSULTANT FUNCTIONAL SUPERVISOR: ROBERT A. HIMES  
CALCULATED/DESIGNED BY: JEFF NETTLETON  
CHECKED BY: DEREK W. MINNEMA  
REVISOR: JEFF NETTLETON  
DATE: 7/2/2010

PLANNING & DESIGN DIVISION  
DATE PLOTTED: 7/14/2010  
TIME PLOTTED: 9:29 AM

EA: 03-1E290  
COUNTY CIP: 71328

THIS PLAN ACCURATE FOR LAYOUT ONLY

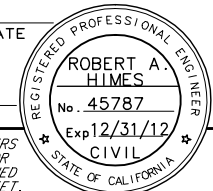
FOR NOTES, LEGEND AND ABBREVIATIONS, SEE L-1

**LAYOUT**  
SCALE: 1"=50'  
**L-7**

FOR COMPLETE RIGHT OF WAY AND ACCURATE ACCESS DATA,  
CONTACT RIGHT OF WAY ENGINEERING AT DISTRICT OFFICE.

CURVE DATA				
No.	R	Δ	T	L
30	849.92'	05°47'27"	42.99'	85.90'
31	2000.00'	05°47'27"	101.16'	202.14'
93	1842.00'	06°41'34"	107.71'	215.17'
94	1884.00'	06°41'34"	110.16'	220.08'

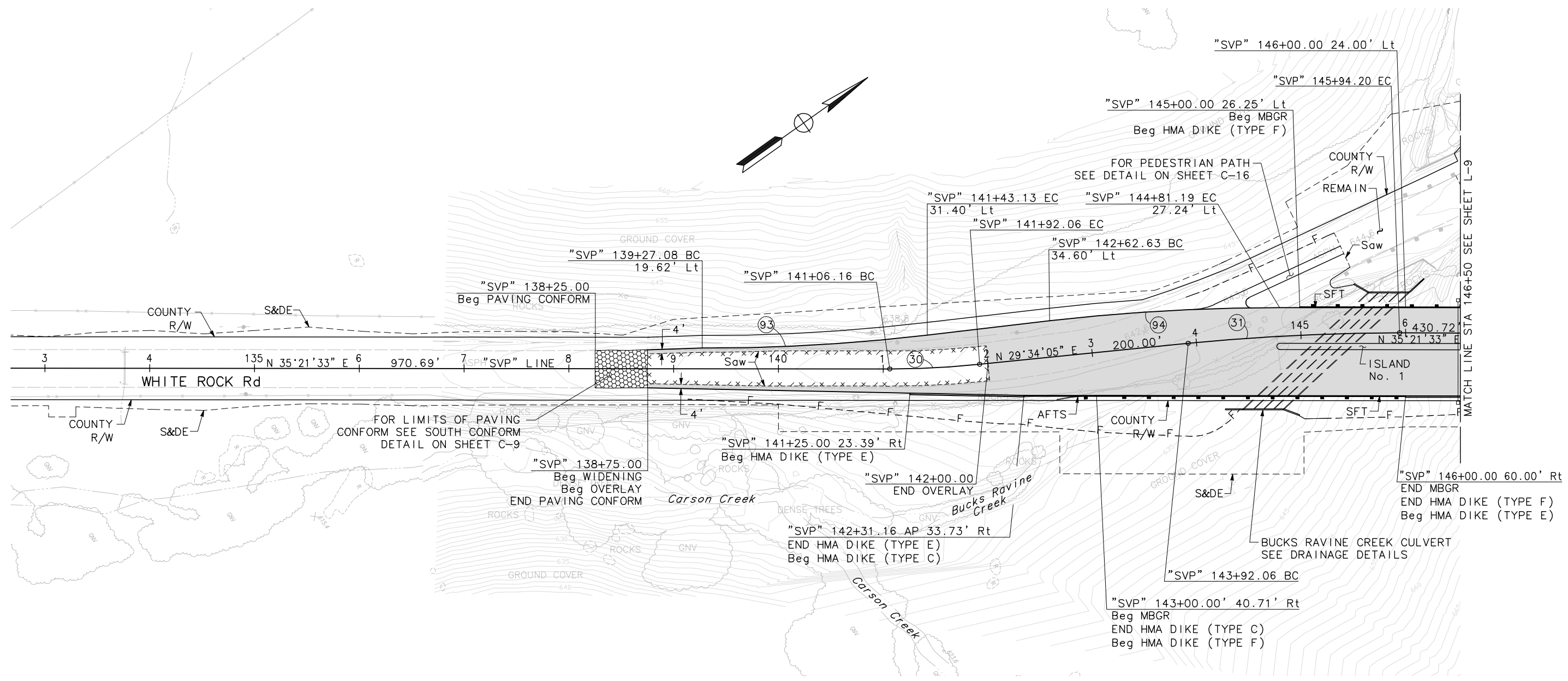
Dist	COUNTY	ROUTE	POST MILES TOTAL PROJECT	SHEET No.	TOTAL SHEETS
03	ED	50	1.07/R2.40	22	367


  
 REGISTERED CIVIL ENGINEER DATE \_\_\_\_\_  
 OCTOBER 19, 2012  
 PLANS APPROVAL DATE \_\_\_\_\_

THE STATE OF CALIFORNIA OR ITS OFFICERS OR AGENTS SHALL NOT BE RESPONSIBLE FOR THE ACCURACY OR COMPLETENESS OF SCANNED OR ELECTRONIC COPIES OF THIS PLAN SHEET.

MARK THOMAS & CO. INC.  
 7300 FOLSOM BLVD STE 203  
 SACRAMENTO, CA 95826

COUNTY OF EL DORADO  
 DEPT. OF TRANSPORTATION  
 2850 FAIRLANE COURT  
 PLACERVILLE, CA 95667



CAD USER: jnettleton  
 PLOT DATE: Oct 16, 2012-09:45:06pm  
 JEFF NETTLETON  
 DEREK W. MINNEMA  
 ROBERT A. HIMES  
 CONSULTANT FUNCTIONAL SUPERVISOR  
 DEPARTMENT OF TRANSPORTATION  
 STATE OF CALIFORNIA

REVISIONS: 00-00-00 DATE PLOTTED => 7/14/2010 TIME PLOTTED => 9:29 AM  
 COUNTY CIP: 71328  
 EA: 03-1E290

FOR COMPLETE RIGHT OF WAY AND ACCURATE ACCESS DATA,  
CONTACT RIGHT OF WAY ENGINEERING AT DISTRICT OFFICE.

DIST	COUNTY	ROUTE	POST MILES TOTAL PROJECT	SHEET No.	TOTAL SHEETS
03	ED	50	1.07/R2.40	23	367

**Estaff**  
REGISTERED CIVIL ENGINEER DATE

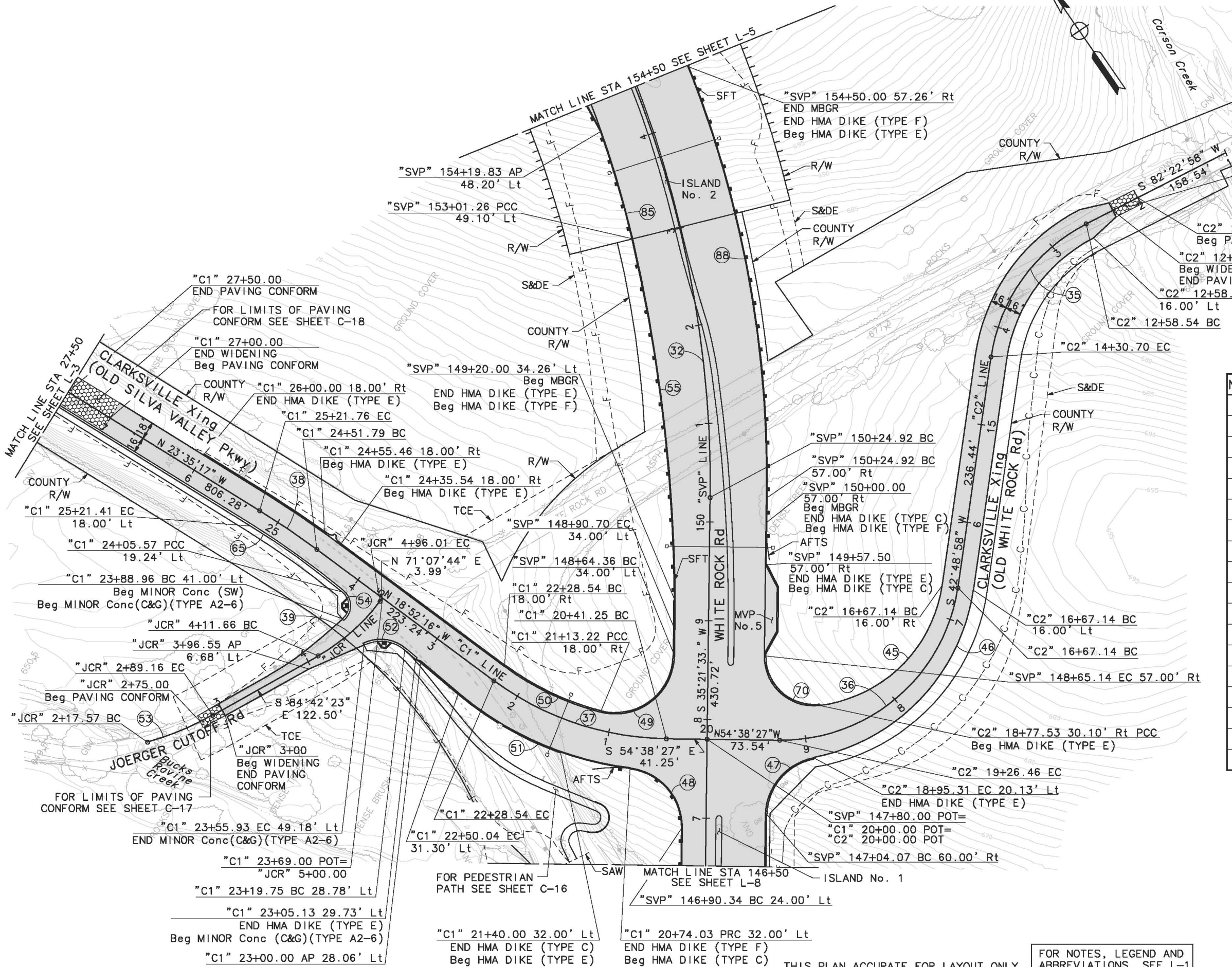
OCTOBER 19, 2012  
PLANS APPROVAL DATE

THE STATE OF CALIFORNIA OR ITS OFFICERS OR AGENTS SHALL NOT BE RESPONSIBLE FOR THE ACCURACY OR COMPLETENESS OF SCANNED OR ELECTRONIC COPIES OF THIS PLAN SHEET.

MARK THOMAS & CO. INC.  
7300 FOLSOM BLVD STE 203  
SACRAMENTO, CA 95826

COUNTY OF EL DORADO  
DEPT. OF TRANSPORTATION  
2850 FAIRLANE COURT  
PLACERVILLE, CA 95667

ROBERT A. HIMES  
No. 45787  
Exp 12/31/12  
CIVIL  
STATE OF CALIFORNIA



FOR LIMITS OF PAVING CONFORM SEE CLARKSVILLE CROSSING CONFORM DETAIL ON SHEET C-11

**CURVE DATA**

No.	R	Δ	T	L
35	180.00'	54°48'03"	93.31'	172.16'
36	180.00'	82°32'35"	157.98'	259.32'
37	300.00'	35°46'11"	96.81'	187.29'
38	849.92'	04°43'01"	35.01'	69.97'
39	200.00'	24°09'53"	42.81'	84.35'
45	143.00'	74°44'06"	109.20'	186.53'
46	202.00'	71°00'17"	144.10'	250.33'
47	60.00'	78°27'42"	48.99'	82.16'
48	60.00'	83°44'23"	53.78'	87.69'
49	60.00'	103°44'41"	76.44'	108.64'
50	282.00'	22°01'30"	54.88'	108.40'
51	332.00'	33°13'20"	99.04'	192.51'
52	38.00'	66°14'50"	24.79'	43.94'
53	300.00'	13°40'21"	35.97'	71.59'
54	18.00'	98°59'11"	21.07'	31.10'
55	1650.00'	13°52'02"	200.65'	399.35'
65	831.92'	07°52'43"	57.29'	114.40'
70	50.00'	97°48'28"	57.32'	85.35'

**LAYOUT**  
SCALE: 1"=50'  
**L-9**

FOR NOTES, LEGEND AND ABBREVIATIONS, SEE L-1

THIS PLAN ACCURATE FOR LAYOUT ONLY

USERNAME => JNETTLETON  
DGN FILE => svp\_L-8 THRU L-13.dwg



UNIT 0259

PROJECT NUMBER & PHASE 13-0677 D 23 of 68

BORDER LAST REVISED 7/2/2010

STATE OF CALIFORNIA - DEPARTMENT OF TRANSPORTATION

Caltrans

CONSULTANT: FUNCTIONAL SUPERVISOR

JEFF NETTLETON

DEREK W. MINNEMA

REVISOR: DATE

CAD USER: jnettleton

PLOT DATE: Oct 16, 2012-09:45:14pm

PATH: V:\West Valley LLC-55-0162B-Silva Valley Pkwy (C\CADD)\DrawRigs\NAME: svp\_L-8 THRU L-13

COUNTY CIP: 71328 EA: 03-1E290

DATE PLOTTED => 7/14/2010

TIME PLOTTED => 9:29 AM

FOR COMPLETE RIGHT OF WAY AND ACCURATE ACCESS DATA,  
CONTACT RIGHT OF WAY ENGINEERING AT DISTRICT OFFICE.

CURVE DATA

No.	R	Δ	T	L
34	1100.00'	33°03'30"	326.44'	634.68'
39	180.00'	52°52'56"	89.51'	166.13'
40	180.00'	24°34'57"	39.22'	77.23'
57	138.00'	49°26'20"	63.53'	119.08'
58	30.00'	90°38'07"	30.33'	47.46'
59	25.00'	82°26'46"	21.90'	35.97'
61	1244.00'	07°47'23"	84.70'	169.13'
62	1232.00'	14°28'56"	156.53'	311.40'
63	1156.00'	18°41'11"	190.20'	377.01'
64	1232.00'	13°27'01"	145.28'	289.21'

Dist	COUNTY	ROUTE	POST MILES TOTAL PROJECT	SHEET No.	TOTAL SHEETS
03	ED	50	1.07/R2.40	24	367

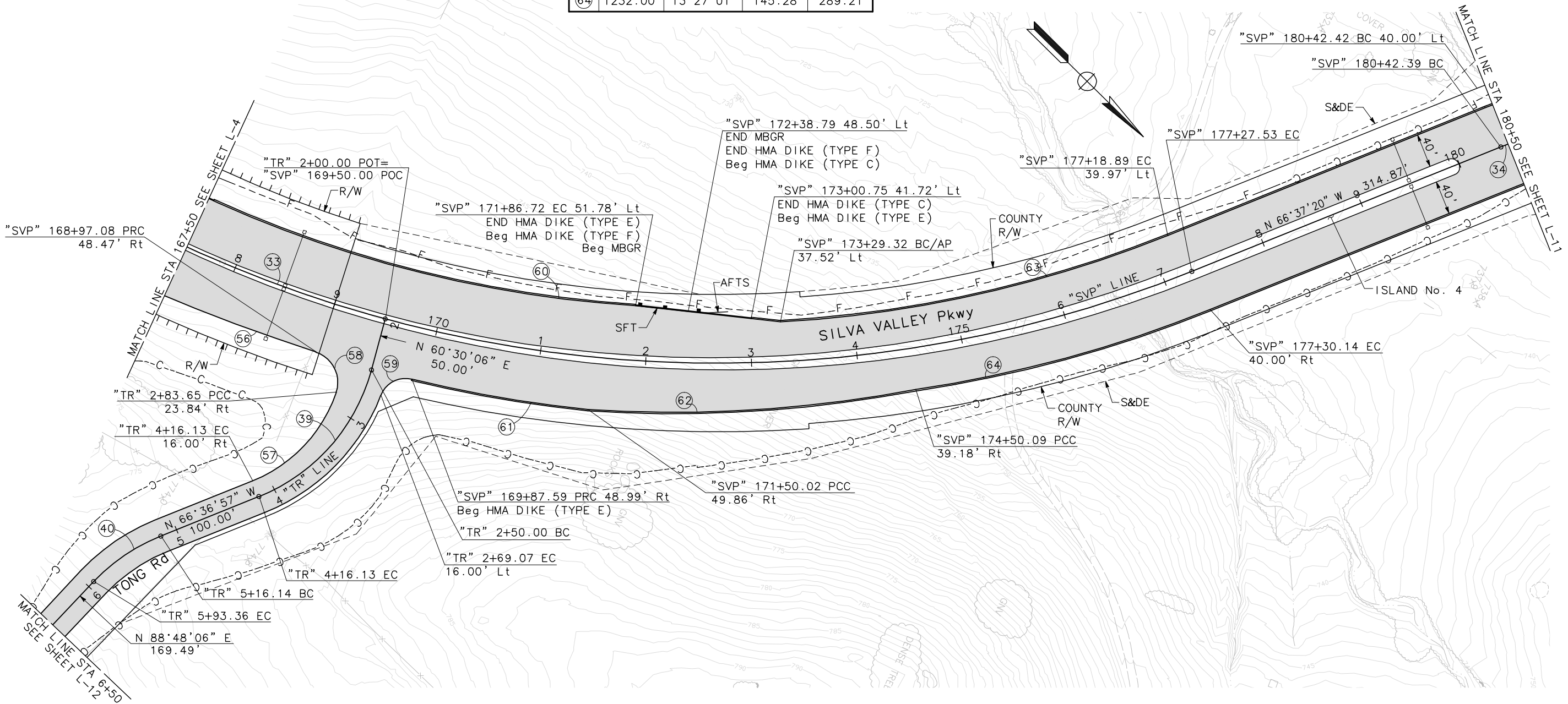
*Estaff*  
 REGISTERED CIVIL ENGINEER DATE  
 OCTOBER 19, 2012  
 PLANS APPROVAL DATE

THE STATE OF CALIFORNIA OR ITS OFFICERS OR AGENTS SHALL NOT BE RESPONSIBLE FOR THE ACCURACY OR COMPLETENESS OF SCANNED OR ELECTRONIC COPIES OF THIS PLAN SHEET.

MARK THOMAS & CO. INC.  
 7300 FOLSOM BLVD STE 203  
 SACRAMENTO, CA 95826

COUNTY OF EL DORADO  
 DEPT. OF TRANSPORTATION  
 2850 FAIRLANE COURT  
 PLACERVILLE, CA 95667

REGISTERED PROFESSIONAL ENGINEER  
**ROBERT A. HIMES**  
 No. 45787  
 Exp 12/31/12  
 CIVIL  
 STATE OF CALIFORNIA



REVISIONS:  
 1. REVISION DATE: 7/14/2010  
 2. REVISION: 00-00-00  
 3. REVISION: 00-00-00  
 4. REVISION: 00-00-00  
 5. REVISION: 00-00-00  
 6. REVISION: 00-00-00  
 7. REVISION: 00-00-00  
 8. REVISION: 00-00-00  
 9. REVISION: 00-00-00  
 10. REVISION: 00-00-00  
 11. REVISION: 00-00-00  
 12. REVISION: 00-00-00  
 13. REVISION: 00-00-00  
 14. REVISION: 00-00-00  
 15. REVISION: 00-00-00  
 16. REVISION: 00-00-00  
 17. REVISION: 00-00-00  
 18. REVISION: 00-00-00  
 19. REVISION: 00-00-00  
 20. REVISION: 00-00-00

REVISIONS:  
 1. REVISION DATE: 7/14/2010  
 2. REVISION: 00-00-00  
 3. REVISION: 00-00-00  
 4. REVISION: 00-00-00  
 5. REVISION: 00-00-00  
 6. REVISION: 00-00-00  
 7. REVISION: 00-00-00  
 8. REVISION: 00-00-00  
 9. REVISION: 00-00-00  
 10. REVISION: 00-00-00  
 11. REVISION: 00-00-00  
 12. REVISION: 00-00-00  
 13. REVISION: 00-00-00  
 14. REVISION: 00-00-00  
 15. REVISION: 00-00-00  
 16. REVISION: 00-00-00  
 17. REVISION: 00-00-00  
 18. REVISION: 00-00-00  
 19. REVISION: 00-00-00  
 20. REVISION: 00-00-00

REVISIONS:  
 1. REVISION DATE: 7/14/2010  
 2. REVISION: 00-00-00  
 3. REVISION: 00-00-00  
 4. REVISION: 00-00-00  
 5. REVISION: 00-00-00  
 6. REVISION: 00-00-00  
 7. REVISION: 00-00-00  
 8. REVISION: 00-00-00  
 9. REVISION: 00-00-00  
 10. REVISION: 00-00-00  
 11. REVISION: 00-00-00  
 12. REVISION: 00-00-00  
 13. REVISION: 00-00-00  
 14. REVISION: 00-00-00  
 15. REVISION: 00-00-00  
 16. REVISION: 00-00-00  
 17. REVISION: 00-00-00  
 18. REVISION: 00-00-00  
 19. REVISION: 00-00-00  
 20. REVISION: 00-00-00

REVISIONS:  
 1. REVISION DATE: 7/14/2010  
 2. REVISION: 00-00-00  
 3. REVISION: 00-00-00  
 4. REVISION: 00-00-00  
 5. REVISION: 00-00-00  
 6. REVISION: 00-00-00  
 7. REVISION: 00-00-00  
 8. REVISION: 00-00-00  
 9. REVISION: 00-00-00  
 10. REVISION: 00-00-00  
 11. REVISION: 00-00-00  
 12. REVISION: 00-00-00  
 13. REVISION: 00-00-00  
 14. REVISION: 00-00-00  
 15. REVISION: 00-00-00  
 16. REVISION: 00-00-00  
 17. REVISION: 00-00-00  
 18. REVISION: 00-00-00  
 19. REVISION: 00-00-00  
 20. REVISION: 00-00-00

REVISIONS:  
 1. REVISION DATE: 7/14/2010  
 2. REVISION: 00-00-00  
 3. REVISION: 00-00-00  
 4. REVISION: 00-00-00  
 5. REVISION: 00-00-00  
 6. REVISION: 00-00-00  
 7. REVISION: 00-00-00  
 8. REVISION: 00-00-00  
 9. REVISION: 00-00-00  
 10. REVISION: 00-00-00  
 11. REVISION: 00-00-00  
 12. REVISION: 00-00-00  
 13. REVISION: 00-00-00  
 14. REVISION: 00-00-00  
 15. REVISION: 00-00-00  
 16. REVISION: 00-00-00  
 17. REVISION: 00-00-00  
 18. REVISION: 00-00-00  
 19. REVISION: 00-00-00  
 20. REVISION: 00-00-00

REVISIONS:  
 1. REVISION DATE: 7/14/2010  
 2. REVISION: 00-00-00  
 3. REVISION: 00-00-00  
 4. REVISION: 00-00-00  
 5. REVISION: 00-00-00  
 6. REVISION: 00-00-00  
 7. REVISION: 00-00-00  
 8. REVISION: 00-00-00  
 9. REVISION: 00-00-00  
 10. REVISION: 00-00-00  
 11. REVISION: 00-00-00  
 12. REVISION: 00-00-00  
 13. REVISION: 00-00-00  
 14. REVISION: 00-00-00  
 15. REVISION: 00-00-00  
 16. REVISION: 00-00-00  
 17. REVISION: 00-00-00  
 18. REVISION: 00-00-00  
 19. REVISION: 00-00-00  
 20. REVISION: 00-00-00

REVISIONS:  
 1. REVISION DATE: 7/14/2010  
 2. REVISION: 00-00-00  
 3. REVISION: 00-00-00  
 4. REVISION: 00-00-00  
 5. REVISION: 00-00-00  
 6. REVISION: 00-00-00  
 7. REVISION: 00-00-00  
 8. REVISION: 00-00-00  
 9. REVISION: 00-00-00  
 10. REVISION: 00-00-00  
 11. REVISION: 00-00-00  
 12. REVISION: 00-00-00  
 13. REVISION: 00-00-00  
 14. REVISION: 00-00-00  
 15. REVISION: 00-00-00  
 16. REVISION: 00-00-00  
 17. REVISION: 00-00-00  
 18. REVISION: 00-00-00  
 19. REVISION: 00-00-00  
 20. REVISION: 00-00-00

REVISIONS:  
 1. REVISION DATE: 7/14/2010  
 2. REVISION: 00-00-00  
 3. REVISION: 00-00-00  
 4. REVISION: 00-00-00  
 5. REVISION: 00-00-00  
 6. REVISION: 00-00-00  
 7. REVISION: 00-00-00  
 8. REVISION: 00-00-00  
 9. REVISION: 00-00-00  
 10. REVISION: 00-00-00  
 11. REVISION: 00-00-00  
 12. REVISION: 00-00-00  
 13. REVISION: 00-00-00  
 14. REVISION: 00-00-00  
 15. REVISION: 00-00-00  
 16. REVISION: 00-00-00  
 17. REVISION: 00-00-00  
 18. REVISION: 00-00-00  
 19. REVISION: 00-00-00  
 20. REVISION: 00-00-00

THIS PLAN ACCURATE FOR LAYOUT ONLY

FOR NOTES, LEGEND AND ABBREVIATIONS, SEE L-1

**LAYOUT**  
 SCALE: 1"=50'  
**L-10**



FOR COMPLETE RIGHT OF WAY AND ACCURATE ACCESS DATA,  
CONTACT RIGHT OF WAY ENGINEERING AT DISTRICT OFFICE.

CURVE DATA

No.	R	Δ	T	L
38	200.00'	47°48'35"	88.65'	166.89'
66	40.00'	111°57'59"	59.27'	78.17'
67	43.00'	72°35'02"	31.58'	54.47'
102	182.00'	22°21'19"	35.96'	71.01'
103	218.00'	32°55'14"	64.41'	125.26'

Dist	COUNTY	ROUTE	POST MILES TOTAL PROJECT	SHEET No.	TOTAL SHEETS
03	ED	50	1.07/R2.40	25	367

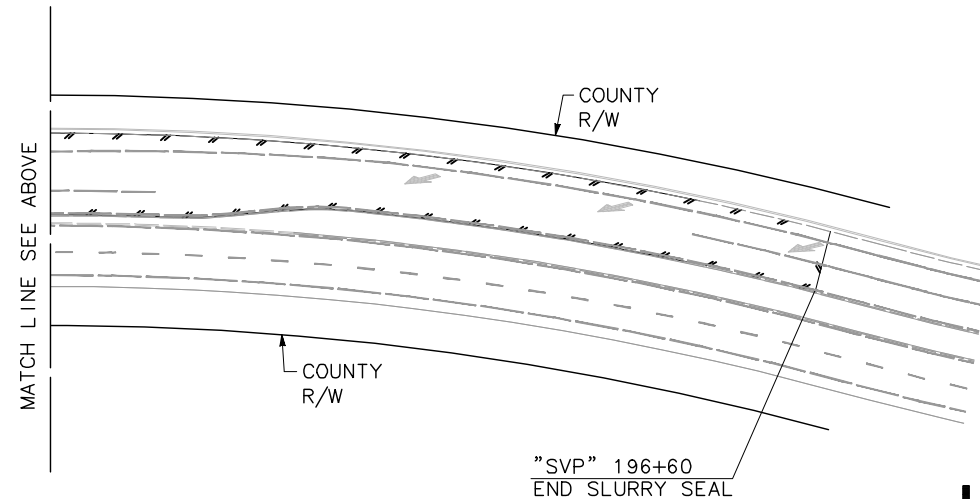
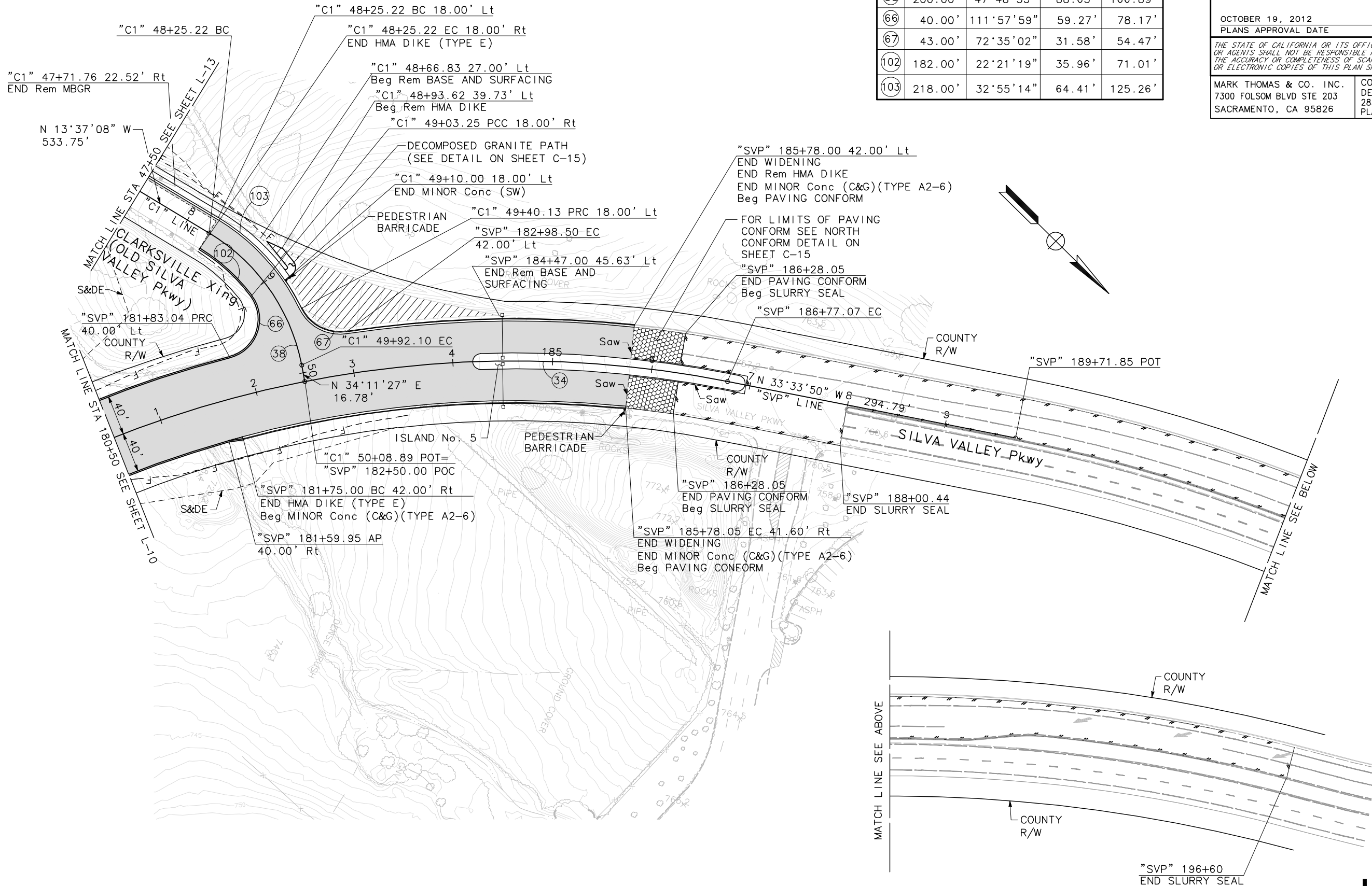
REGISTERED CIVIL ENGINEER DATE

OCTOBER 19, 2012  
PLANS APPROVAL DATE

THE STATE OF CALIFORNIA OR ITS OFFICERS OR AGENTS SHALL NOT BE RESPONSIBLE FOR THE ACCURACY OR COMPLETENESS OF SCANNED OR ELECTRONIC COPIES OF THIS PLAN SHEET.

MARK THOMAS & CO. INC.  
7300 FOLSOM BLVD STE 203  
SACRAMENTO, CA 95826

COUNTY OF EL DORADO  
DEPT. OF TRANSPORTATION  
2850 FAIRLANE COURT  
PLACERVILLE, CA 95667



STATE OF CALIFORNIA - DEPARTMENT OF TRANSPORTATION

JEFF NETTLETON  
DEREK W. MINNEMA  
ROBERT A. HIMES

REVISOR BY DATE  
DESIGNED BY CHECKED BY

CAD USER: jnettleton  
PLOT DATE: Oct 16, 2012-09:45:38pm  
PLOT FILE: V:\West Valley LLC-55-0162B-Silva Valley Pkwy (C:\CADD\DrawFiles\svp\_L-8 THRU L-13

EA: 03-1E290  
COUNTY CIP: 71328  
DATE PLOTTED => 7/14/2010  
TIME PLOTTED => 9:29 AM

THIS PLAN ACCURATE FOR LAYOUT ONLY

FOR NOTES, LEGEND AND ABBREVIATIONS, SEE L-1

LAYOUT  
SCALE: 1"=50'  
L-11

FOR COMPLETE RIGHT OF WAY AND ACCURATE ACCESS DATA,  
CONTACT RIGHT OF WAY ENGINEERING AT DISTRICT OFFICE.

DIST	COUNTY	ROUTE	POST MILES TOTAL PROJECT	SHEET No.	TOTAL SHEETS
03	ED	50	1.07/R2.40	26	367

CURVE DATA

No.	R	Δ	T	L
41	400.00'	10°44'51"	37.63'	75.03'
42	529.00'	35°14'53"	168.05'	325.44'
68	70.00'	47°49'56"	31.04'	58.44'
96	48.00'	268°56'57"	-	225.31'
97	70.00'	39°49'25"	25.36'	48.65'
99	414.00'	10°12'38"	36.99'	73.78'
101	386.00'	10°44'51"	36.31'	72.41'

REGISTERED CIVIL ENGINEER DATE

*Estaff*

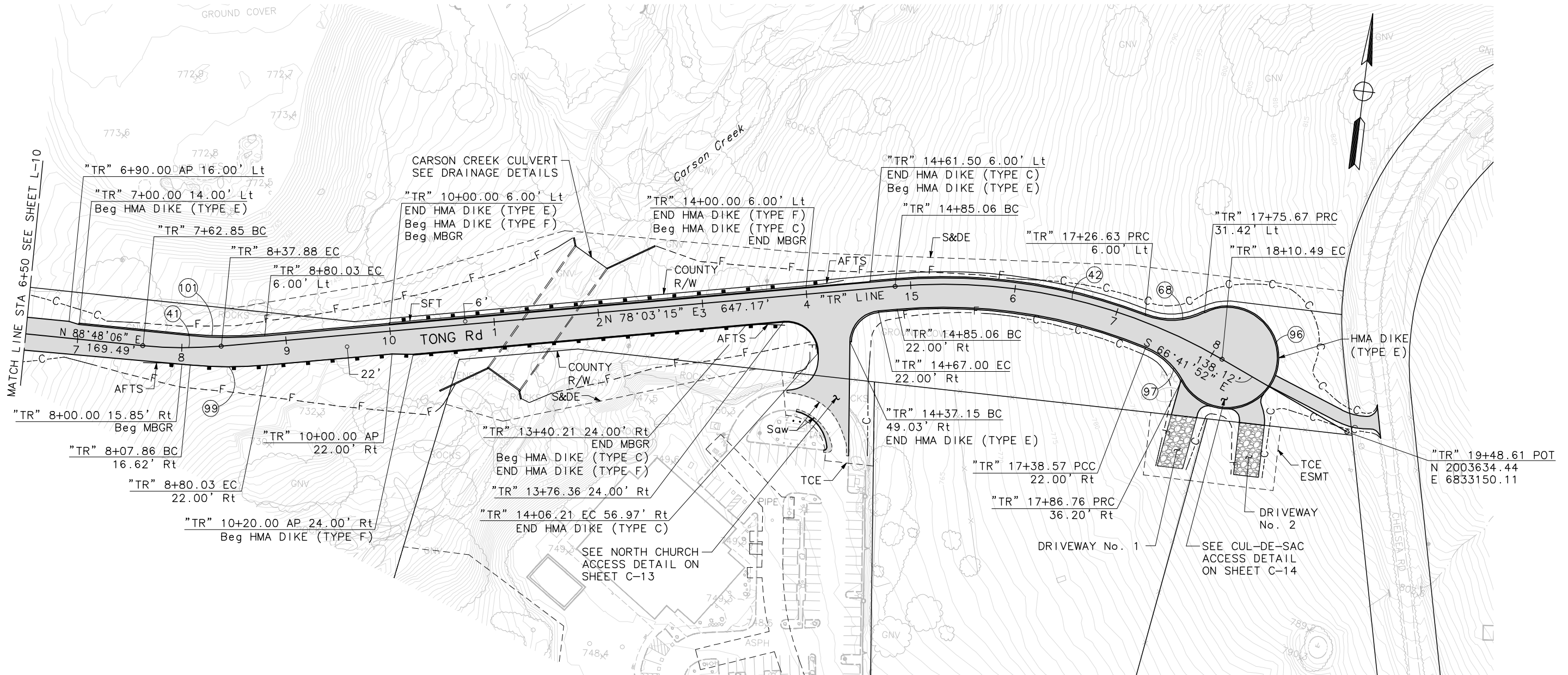
OCTOBER 19, 2012  
PLANS APPROVAL DATE

THE STATE OF CALIFORNIA OR ITS OFFICERS OR AGENTS SHALL NOT BE RESPONSIBLE FOR THE ACCURACY OR COMPLETENESS OF SCANNED OR ELECTRONIC COPIES OF THIS PLAN SHEET.

MARK THOMAS & CO. INC.  
7300 FOLSOM BLVD STE 203  
SACRAMENTO, CA 95826

COUNTY OF EL DORADO  
DEPT. OF TRANSPORTATION  
2850 FAIRLANE COURT  
PLACERVILLE, CA 95667

REGISTERED PROFESSIONAL ENGINEER  
ROBERT A. HIMES  
No. 45787  
Exp 12/31/12  
CIVIL  
STATE OF CALIFORNIA



**LAYOUT**  
SCALE: 1"=50'  
**L-12**

THIS PLAN ACCURATE FOR LAYOUT ONLY

FOR NOTES, LEGEND AND ABBREVIATIONS, SEE L-1

CAD USER: jnettleton  
 PLOT DATE: Oct 16, 2012-09:45:49pm  
 PLOT FILE: V:\West Valley LLC-55-0162B-Silva Valley Pkwy (C:\CADD\DrawFiles\NAME: svp\_L-8 THRU L-13  
 STATE OF CALIFORNIA - DEPARTMENT OF TRANSPORTATION  
 CONSULTANT FUNCTIONAL SUPERVISOR ROBERT A. HIMES  
 CALCULATED/DESIGNED BY  
 CHECKED BY  
 REVISIONS: 00-00-00 DATE PLOTTED => 7/14/2010 TIME PLOTTED => 9:29 AM  
 COUNTY CIP: 71328 EA: 03-1E290

FOR COMPLETE RIGHT OF WAY AND ACCURATE ACCESS DATA,  
CONTACT RIGHT OF WAY ENGINEERING AT DISTRICT OFFICE.

Dist	COUNTY	ROUTE	POST MILES TOTAL PROJECT	SHEET No.	TOTAL SHEETS
03	ED	50	1.07/R2.40	27	367

**CURVE DATA**

No.	R	Δ	T	L
(37)	999.91'	09°58'09"	87.21'	173.98'

*R. Staff*  
REGISTERED CIVIL ENGINEER DATE

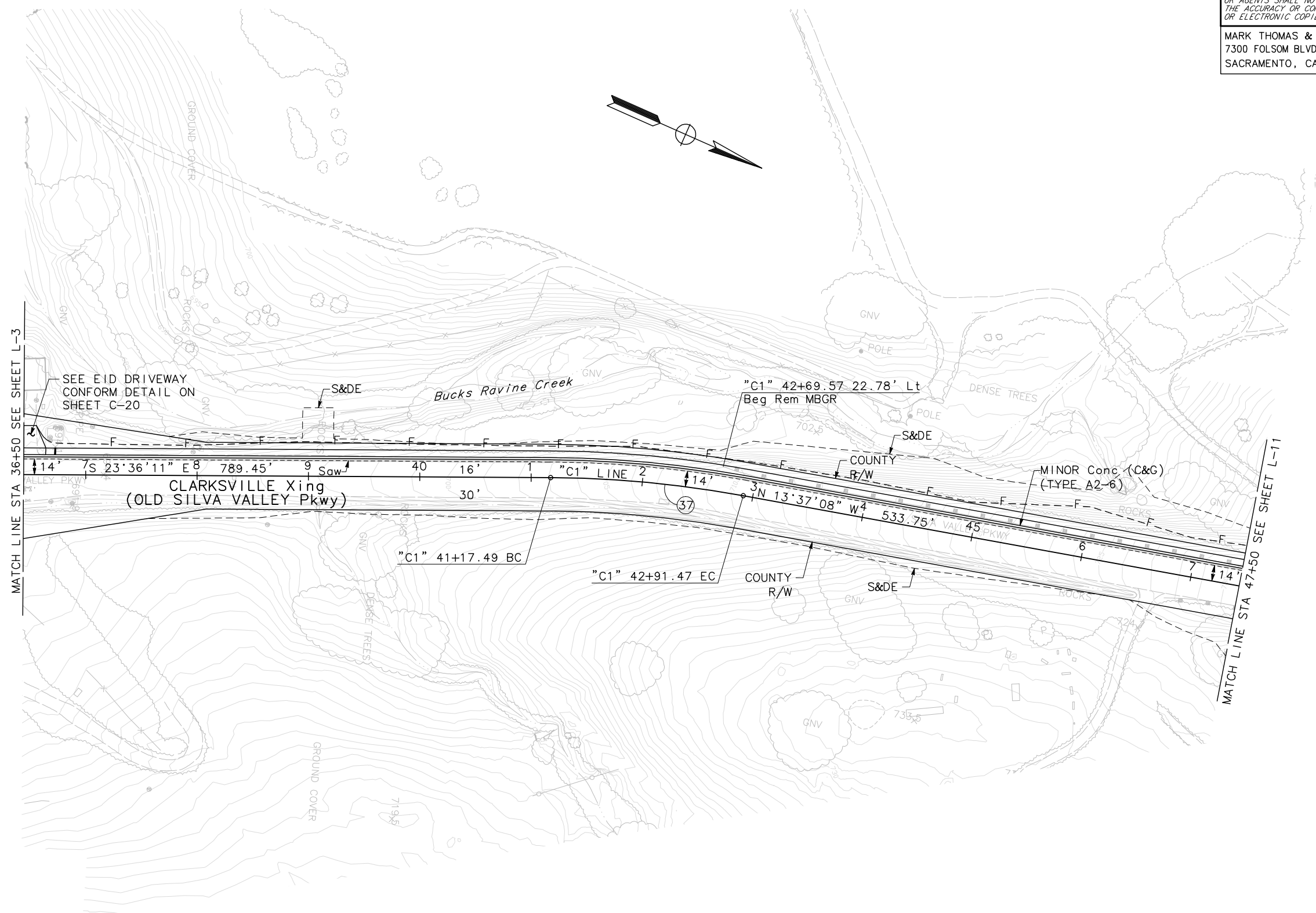
OCTOBER 19, 2012  
PLANS APPROVAL DATE

THE STATE OF CALIFORNIA OR ITS OFFICERS OR AGENTS SHALL NOT BE RESPONSIBLE FOR THE ACCURACY OR COMPLETENESS OF SCANNED OR ELECTRONIC COPIES OF THIS PLAN SHEET.

MARK THOMAS & CO. INC.  
7300 FOLSOM BLVD STE 203  
SACRAMENTO, CA 95826

COUNTY OF EL DORADO  
DEPT. OF TRANSPORTATION  
2850 FAIRLANE COURT  
PLACERVILLE, CA 95667

REGISTERED PROFESSIONAL ENGINEER  
**ROBERT A. HIMES**  
No. 45787  
Exp 12/31/12  
CIVIL  
STATE OF CALIFORNIA



STATE OF CALIFORNIA - DEPARTMENT OF TRANSPORTATION  
**Caltrans**  
 CONSULTANT FUNCTIONAL SUPERVISOR: ROBERT A. HIMES  
 CHECKED BY: DEREK W. MINNEMA  
 DESIGNED BY: JEFF NETTLETON  
 REVISED BY: JEFF NETTLETON  
 DATE REVISED:

THIS PLAN ACCURATE FOR LAYOUT ONLY

FOR NOTES, LEGEND AND ABBREVIATIONS, SEE L-1

**LAYOUT**  
SCALE: 1"=50'  
**L-13**

PLOT DATE: Oct 16, 2012-09:45:59pm     
 CAD USER: jnettleton     
 P:\West Valley LLC-55-0162B-Silva Valley Pkwy (C\CADD)\Drawings\NAME: svp\_L-8 THRU L-13

LAST REVISION DATE PLOTTED => 7/14/2010     
 COUNTY CIP: 71328     
 EA: 03-1E290

CAD USER: jnettleton

PLOT DATE: Oct 16, 2012-10:14:28pm

PLT THRU P-5

NAME: svp\_P-1

STATE OF CALIFORNIA - DEPARTMENT OF TRANSPORTATION

STATE OF CALIFORNIA - DEPARTMENT OF TRANSPORTATION

STATE OF CALIFORNIA - DEPARTMENT OF TRANSPORTATION	CONSULTANT FUNCTIONAL SUPERVISOR	CHECKED BY	REVISOR BY
ROBERT A. HIMES	ROBERT A. HIMES	DEREK W. MINNEMA	BRYAN E. STONE
690	690	710	730
680	680	700	720
670	670	690	710
660	660	680	700
650	650	670	690
640	640	660	680
630	630	650	670
STATION	Exc	Emb	

Dist	COUNTY	ROUTE	POST MILES TOTAL PROJECT	SHEET No.	TOTAL SHEETS
03	ED	50	1.07/R2.40	28	367

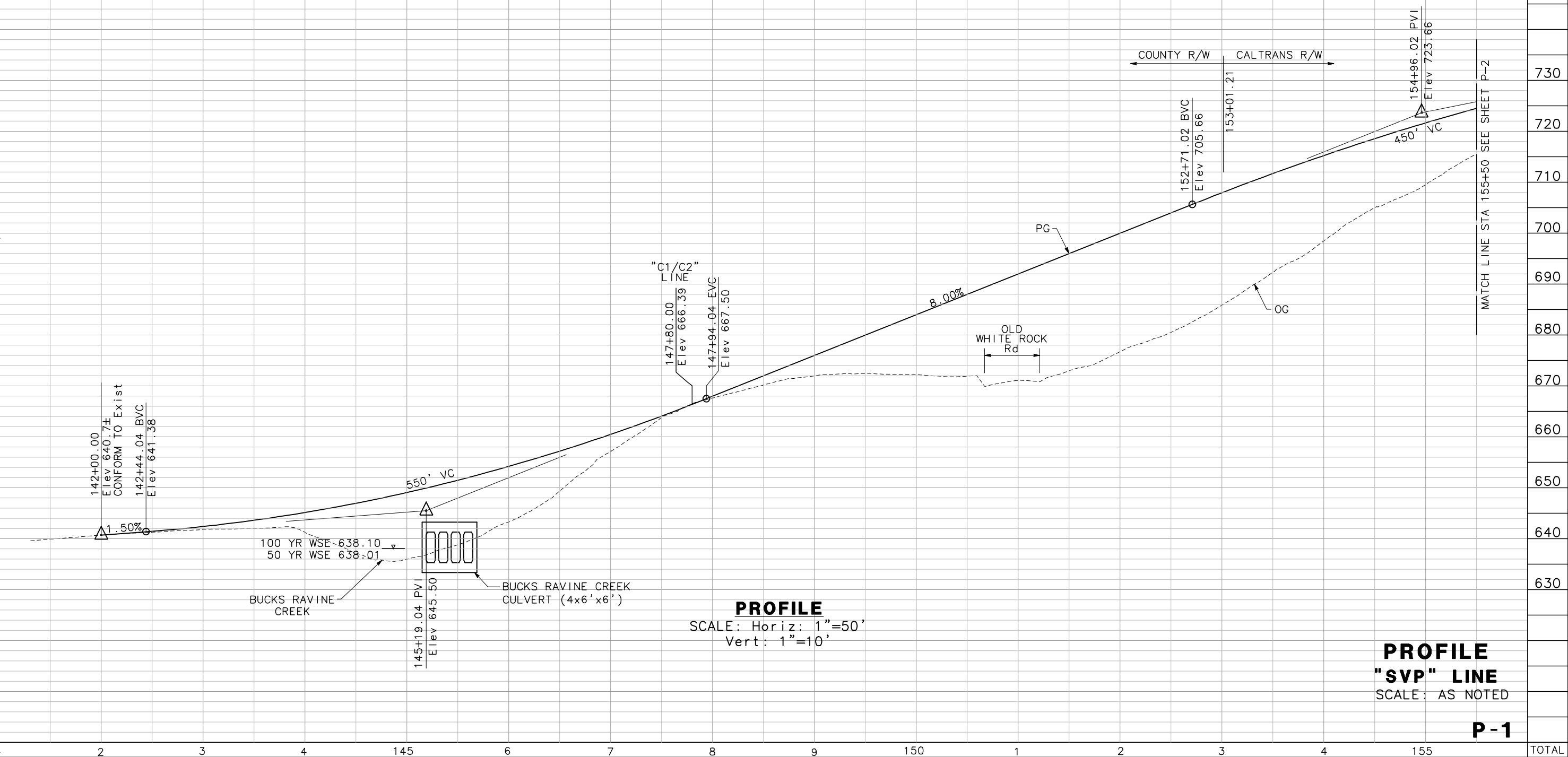
**Estaff**  
 REGISTERED CIVIL ENGINEER DATE  
 OCTOBER 19, 2012  
 PLANS APPROVAL DATE

THE STATE OF CALIFORNIA OR ITS OFFICERS OR AGENTS SHALL NOT BE RESPONSIBLE FOR THE ACCURACY OR COMPLETENESS OF SCANNED OR ELECTRONIC COPIES OF THIS PLAN SHEET.

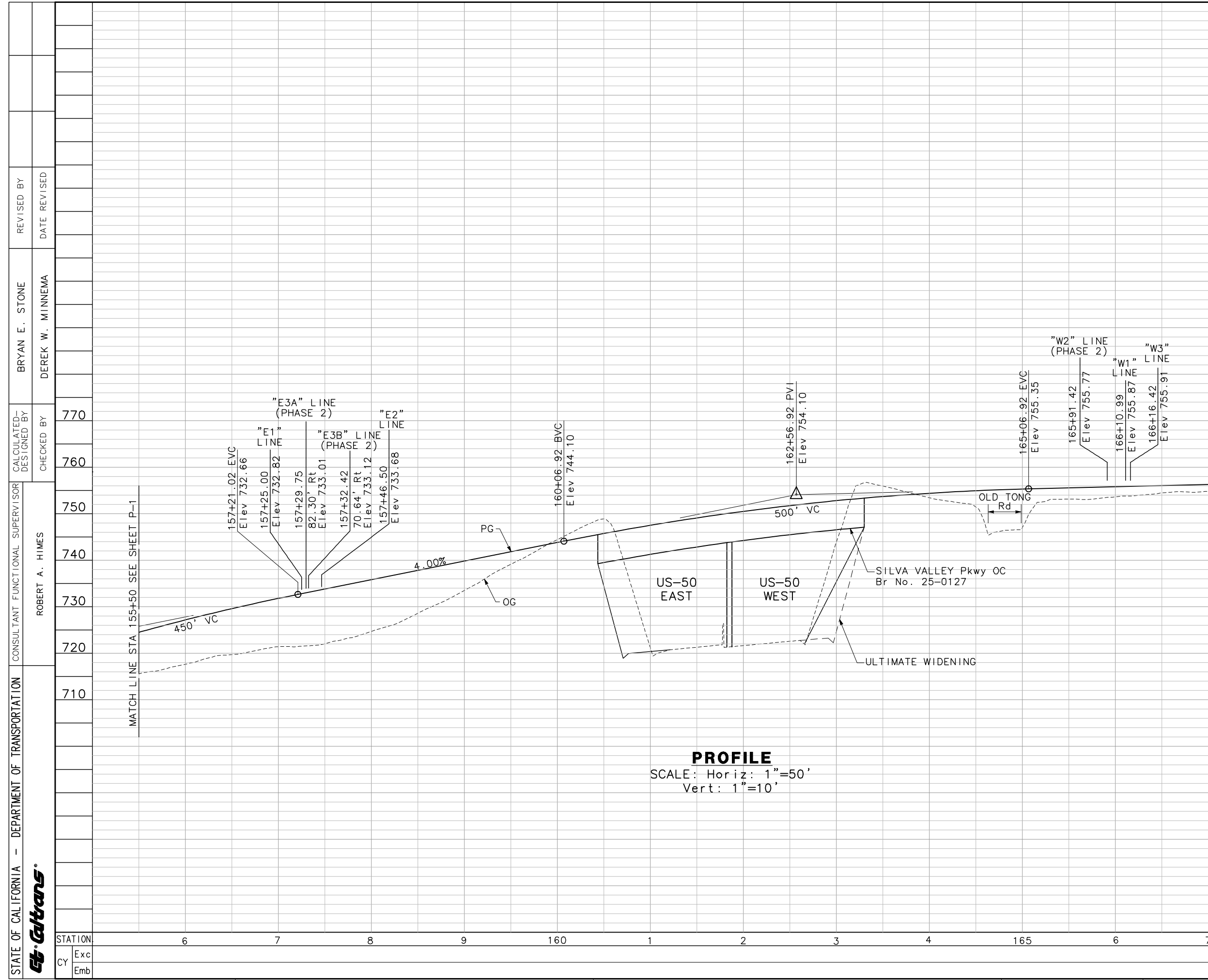
MARK THOMAS & CO. INC.  
 7300 FOLSOM BLVD STE 203  
 SACRAMENTO, CA 95826

COUNTY OF EL DORADO  
 DEPT. OF TRANSPORTATION  
 2850 FAIRLANE COURT  
 PLACERVILLE, CA 95667

REGISTERED PROFESSIONAL ENGINEER  
**ROBERT A. HIMES**  
 No. 45787  
 Exp 12/31/12  
 CIVIL  
 STATE OF CALIFORNIA



PATH: V:\West Valley LLC-55-0162B-Silva Valley Pkwy (CADD)\Drawings\NAME: svp\_P-1 THRU P-5 PLOT DATE: Oct 16, 2012-10:14:32pm CAD USER: jnettleton

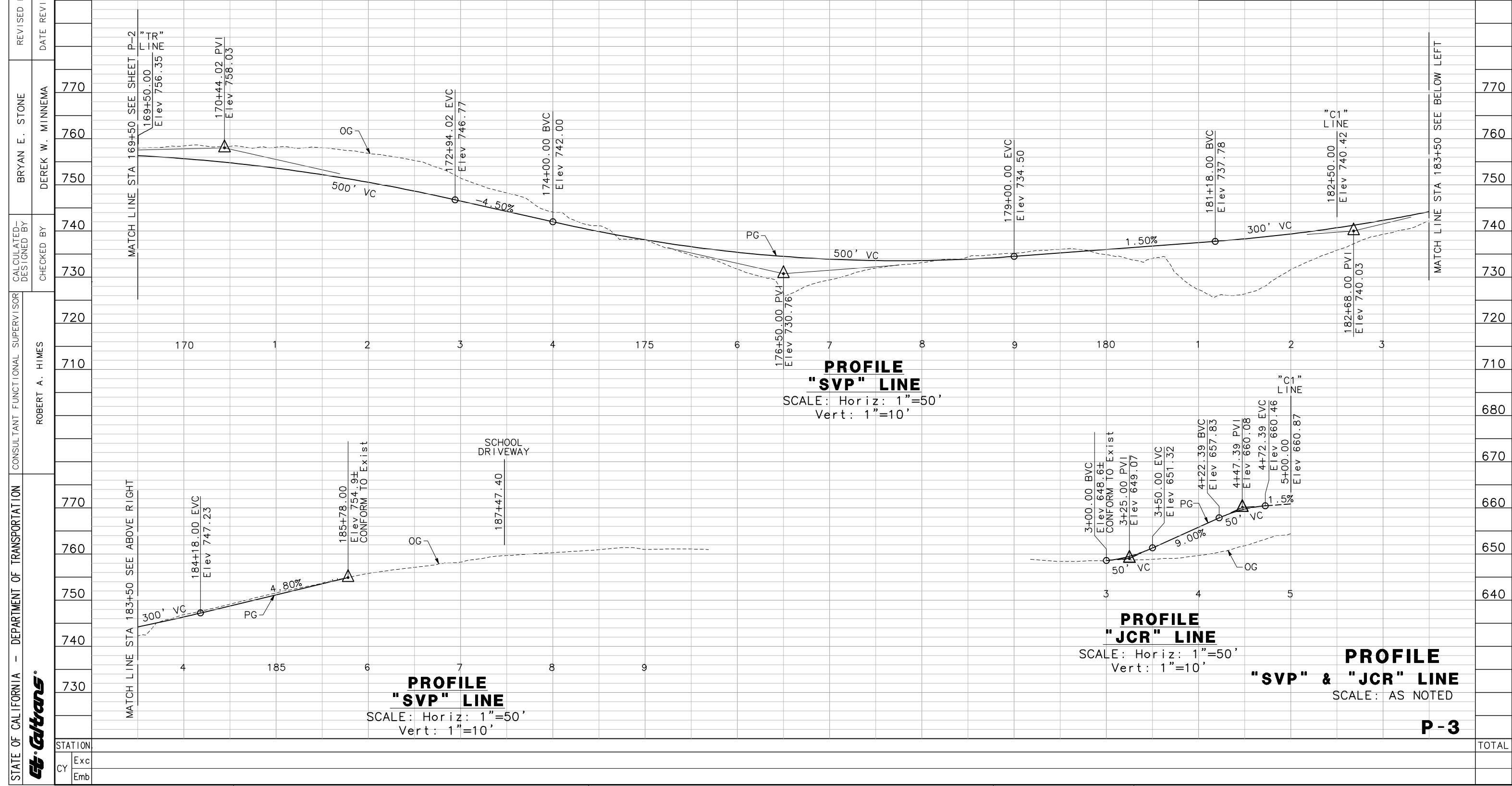


Dist	COUNTY	ROUTE	POST MILES TOTAL PROJECT	SHEET No.	TOTAL SHEETS
03	ED	50	1.07/R2.40	29	367
REGISTERED CIVIL ENGINEER DATE OCTOBER 19, 2012 PLANS APPROVAL DATE					
THE STATE OF CALIFORNIA OR ITS OFFICERS OR AGENTS SHALL NOT BE RESPONSIBLE FOR THE ACCURACY OR COMPLETENESS OF SCANNED OR ELECTRONIC COPIES OF THIS PLAN SHEET.					
MARK THOMAS & CO. INC. 7300 FOLSOM BLVD STE 203 SACRAMENTO, CA 95826			COUNTY OF EL DORADO DEPT. OF TRANSPORTATION 2850 FAIRLANE COURT PLACERVILLE, CA 95667		

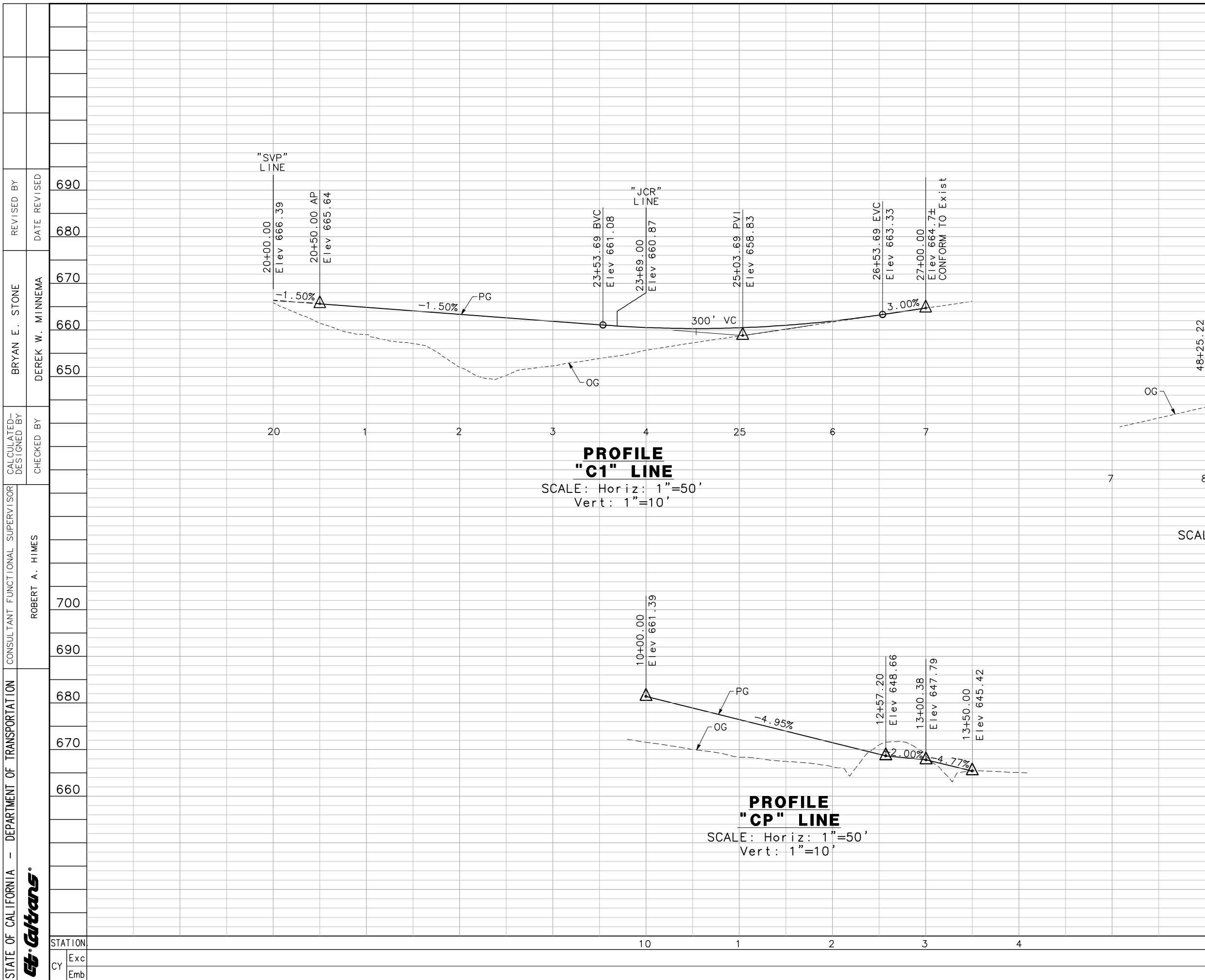
STATION	Exc	Emb	REVISION	DESIGNED BY	CHECKED BY	REVISOR	DATE
6							
7							
8							
9							
160							
1							
2							
3							
4							
165							
6							
7							
8							
9							
TOTAL							

**PROFILE**  
**"SVP" LINE**  
 SCALE: AS NOTED  
**P-2**

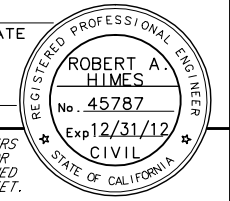
Dist	COUNTY	ROUTE	POST MILES TOTAL PROJECT	SHEET No.	TOTAL SHEETS
03	ED	50	1.07/R2.40	30	367
REGISTERED CIVIL ENGINEER DATE			OCTOBER 19, 2012		
PLANS APPROVAL DATE			OCTOBER 19, 2012		
<small>THE STATE OF CALIFORNIA OR ITS OFFICERS OR AGENTS SHALL NOT BE RESPONSIBLE FOR THE ACCURACY OR COMPLETENESS OF SCANNED OR ELECTRONIC COPIES OF THIS PLAN SHEET.</small>					
MARK THOMAS & CO. INC. 7300 FOLSOM BLVD STE 203 SACRAMENTO, CA 95826			COUNTY OF EL DORADO DEPT. OF TRANSPORTATION 2850 FAIRLANE COURT PLACERVILLE, CA 95667		



P:\West Valley LLC-55-0162B-Siiva Valley Pkwy (CADD)\Drawings\NAME: svp\_P-1 THRU P-5  
 PLOT DATE: Oct 16, 2012-10:14:43 AM USER: jnettleton

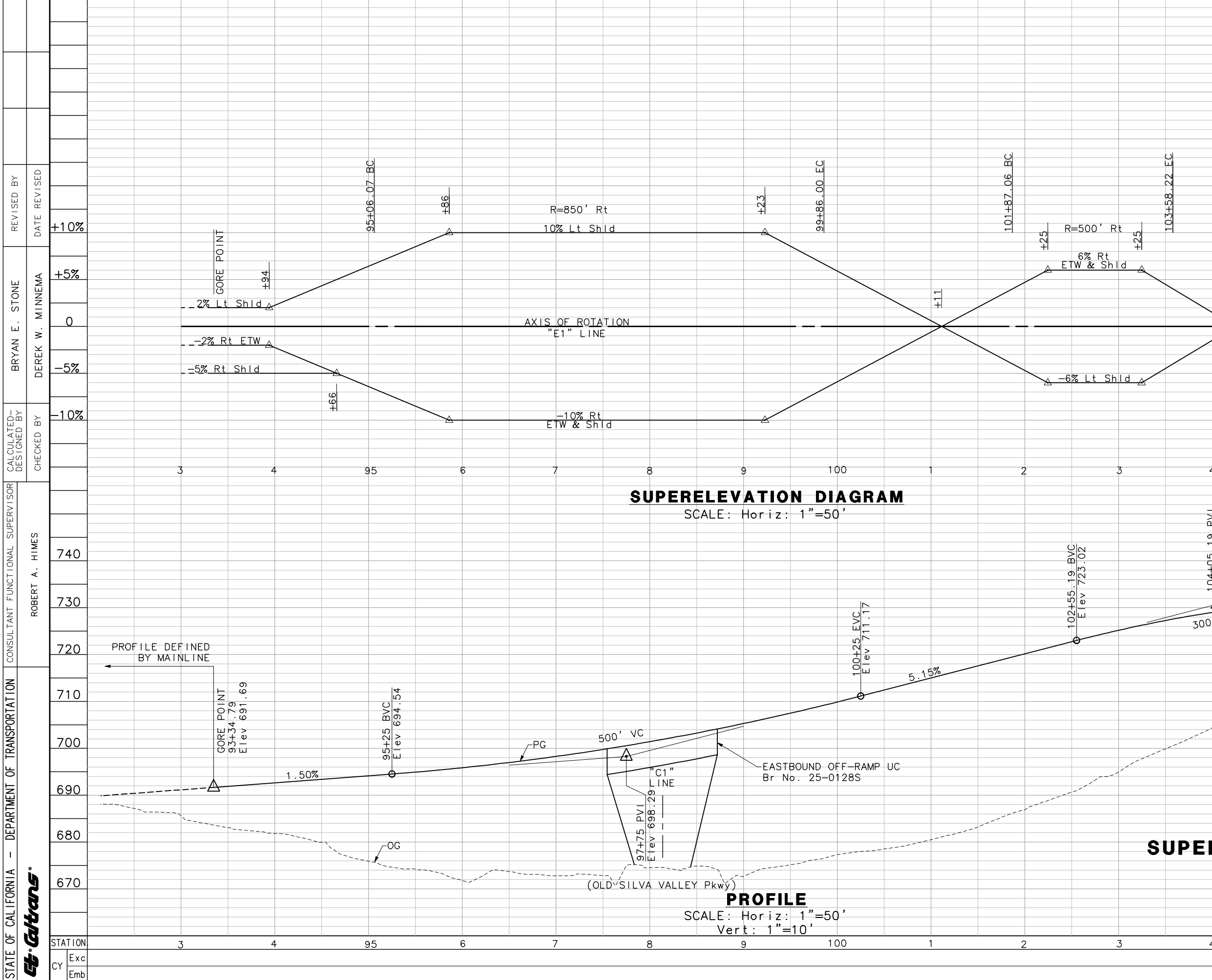


Dist	COUNTY	ROUTE	POST MILES TOTAL PROJECT	SHEET No.	TOTAL SHEETS
03	ED	50	1.07/R2.40	31	367
<b>Estaff</b> REGISTERED CIVIL ENGINEER DATE OCTOBER 19, 2012 PLANS APPROVAL DATE					
THE STATE OF CALIFORNIA OR ITS OFFICERS OR AGENTS SHALL NOT BE RESPONSIBLE FOR THE ACCURACY OR COMPLETENESS OF SCANNED OR ELECTRONIC COPIES OF THIS PLAN SHEET.					
700	MARK THOMAS & CO. INC. 7300 FOLSOM BLVD STE 203 SACRAMENTO, CA 95826		COUNTY OF EL DORADO DEPT. OF TRANSPORTATION 2850 FAIRLANE COURT PLACERVILLE, CA 95667		
690					



COUNTY CIP: 71328      EA: 03-1E290     
 LAST REVISION DATE PLOTTED => 7/14/2010     
 00-00-00 TIME PLOTTED => 9:29 AM

P:\West Valley LLC-55-0162B-Silva Valley Pkwy (C:\CADD\DrawFiles\NAME: svp\_PS-1 THRU PS-6 PLOT DATE: Oct 16, 2012-10:20:23pm CAD USER: jnettleton



Dist	COUNTY	ROUTE	POST MILES TOTAL PROJECT	SHEET No.	TOTAL SHEETS
03	ED	50	1.07/R2.40	32	367

**Estaff**  
 REGISTERED CIVIL ENGINEER DATE  
 OCTOBER 19, 2012  
 PLANS APPROVAL DATE  
THE STATE OF CALIFORNIA OR ITS OFFICERS OR AGENTS SHALL NOT BE RESPONSIBLE FOR THE ACCURACY OR COMPLETENESS OF SCANNED OR ELECTRONIC COPIES OF THIS PLAN SHEET.

MARK THOMAS & CO. INC.  
 7300 FOLSOM BLVD STE 203  
 SACRAMENTO, CA 95826

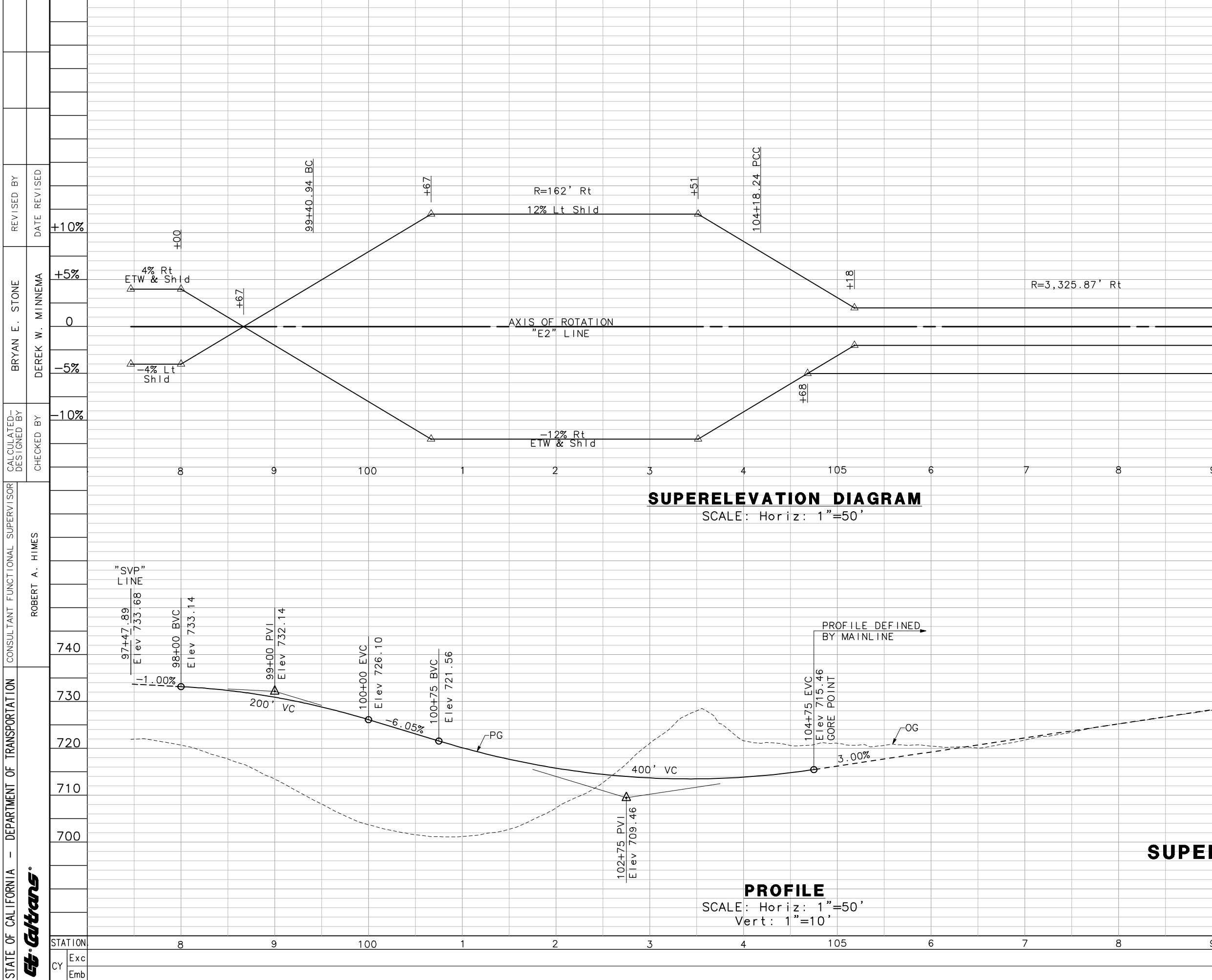
COUNTY OF EL DORADO  
 DEPT. OF TRANSPORTATION  
 2850 FAIRLANE COURT  
 PLACERVILLE, CA 95667

STATE OF CALIFORNIA - DEPARTMENT OF TRANSPORTATION	CONSULTANT FUNCTIONAL SUPERVISOR	ROBERT A. HIMES	CALCULATED/DESIGNED BY	BRYAN E. STONE	REVISOR	DATE
	CHECKED BY	DEREK W. MINNEMA				

STATION	3	4	95	6	7	8	9	100	1	2	3	4	105	6	TOTAL
Exc															
Emb															

DATE PLOTTED => 7/14/2010	TIME PLOTTED => 9:29 AM
COUNTY CIP: 71328	EA: 03-1E290
<b>PS-1</b>	





**SUPERELEVATION DIAGRAM**  
SCALE: Horiz: 1"=50'

**PROFILE AND SUPERELEVATION DIAGRAM**  
**"E2" LINE**  
SCALE: AS NOTED  
**PS-2**

Dist	COUNTY	ROUTE	POST MILES TOTAL PROJECT	SHEET No.	TOTAL SHEETS
03	ED	50	1.07/R2.40	33	367

*Estaff*  
REGISTERED CIVIL ENGINEER DATE

OCTOBER 19, 2012  
PLANS APPROVAL DATE

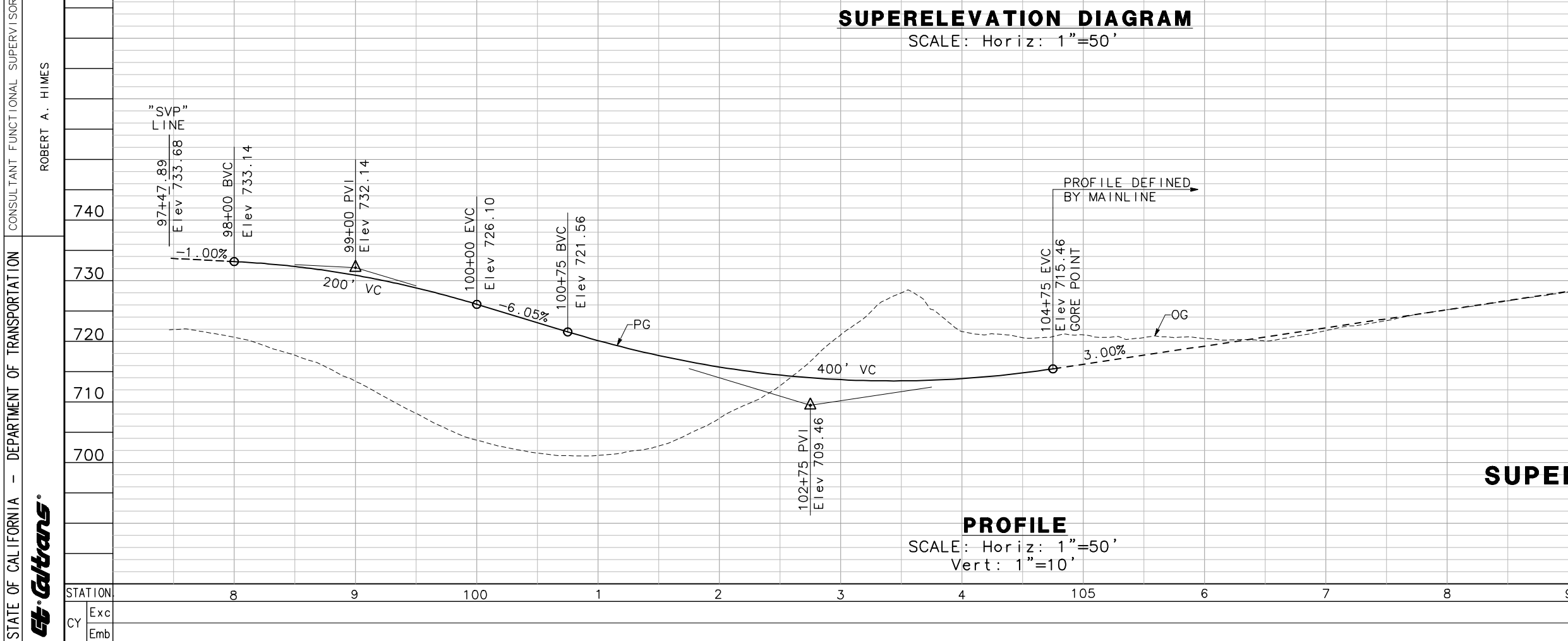
THE STATE OF CALIFORNIA OR ITS OFFICERS OR AGENTS SHALL NOT BE RESPONSIBLE FOR THE ACCURACY OR COMPLETENESS OF SCANNED OR ELECTRONIC COPIES OF THIS PLAN SHEET.

MARK THOMAS & CO. INC.  
7300 FOLSOM BLVD STE 203  
SACRAMENTO, CA 95826

COUNTY OF EL DORADO  
DEPT. OF TRANSPORTATION  
2850 FAIRLANE COURT  
PLACERVILLE, CA 95667

REGISTERED PROFESSIONAL ENGINEER  
ROBERT A. HIMES  
No. 45787  
Exp 12/31/12  
CIVIL  
STATE OF CALIFORNIA

REVISOR	DATE	REVISION
BRYAN E. STONE		
DEREK W. MINNEMA		
CALCULATED BY	CHECKED BY	
DESIGNED BY		
ROBERT A. HIMES		

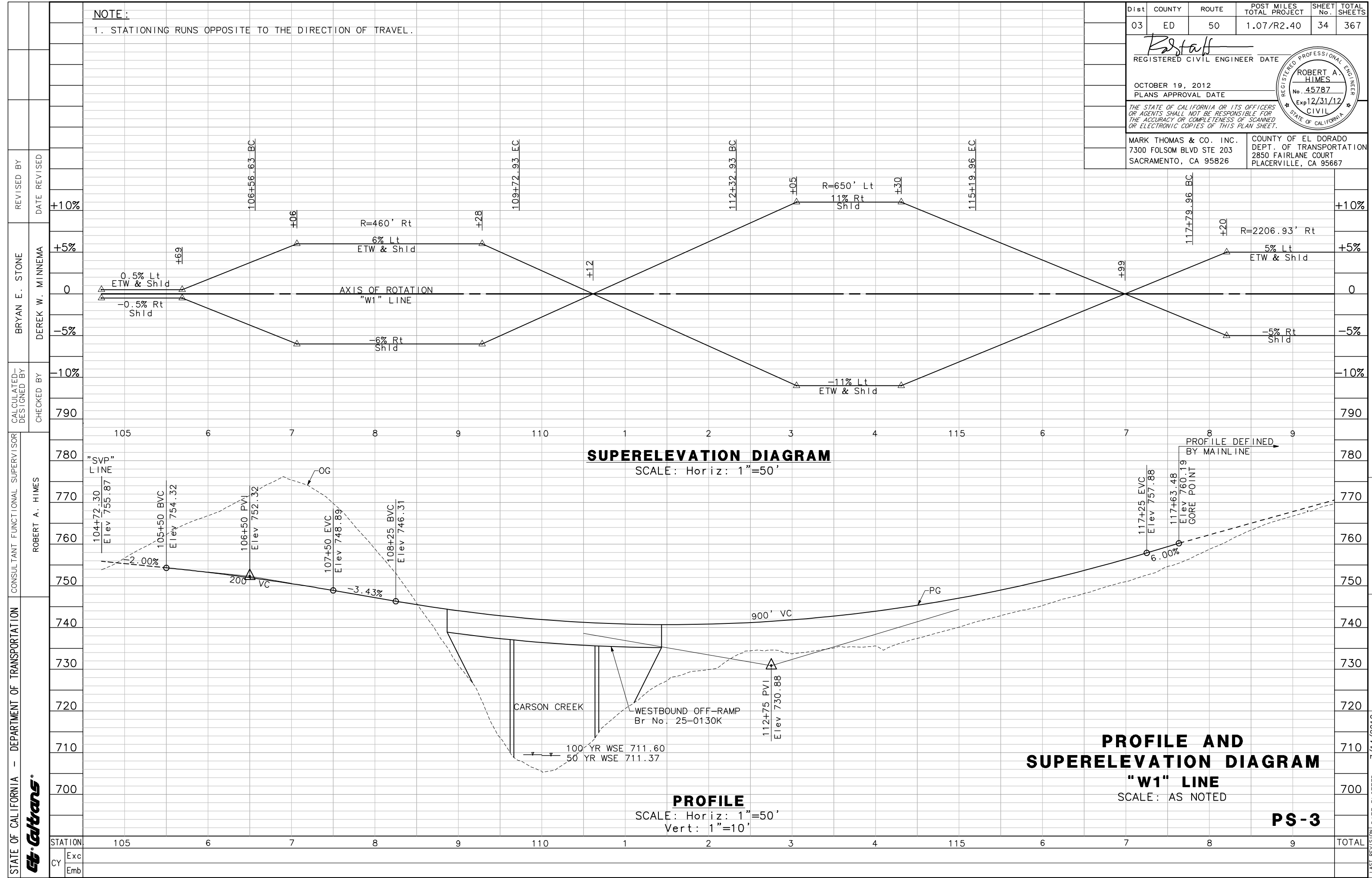


**PROFILE**  
SCALE: Horiz: 1"=50'  
Vert: 1"=10'

PATH: V:\West Valley LLC-55-0162B-Silva Valley Pkwy (C:\CADD\Drawings\NAME: svp\_PS-1 THRU PS-6 PLOT DATE: Oct 16, 2012-10:20:44pm CAD USER: jnettleton

**NOTE:**  
1. STATIONING RUNS OPPOSITE TO THE DIRECTION OF TRAVEL.

Dist	COUNTY	ROUTE	POST MILES TOTAL PROJECT	SHEET No.	TOTAL SHEETS
03	ED	50	1.07/R2.40	34	367
REGISTERED CIVIL ENGINEER DATE OCTOBER 19, 2012 PLANS APPROVAL DATE			THE STATE OF CALIFORNIA OR ITS OFFICERS OR AGENTS SHALL NOT BE RESPONSIBLE FOR THE ACCURACY OR COMPLETENESS OF SCANNED OR ELECTRONIC COPIES OF THIS PLAN SHEET.		
MARK THOMAS & CO. INC. 7300 FOLSOM BLVD STE 203 SACRAMENTO, CA 95826			COUNTY OF EL DORADO DEPT. OF TRANSPORTATION 2850 FAIRLANE COURT PLACERVILLE, CA 95667		



**SUPERELEVATION DIAGRAM**  
SCALE: Horiz: 1"=50'

**PROFILE**  
SCALE: Horiz: 1"=50'  
Vert: 1"=10'

**PROFILE AND SUPERELEVATION DIAGRAM**  
"W1" LINE  
SCALE: AS NOTED

**PS-3**

COUNTY CIP: 71328 EA: 03-1E290  
 DATE PLOTTED => 7/14/2010  
 TIME PLOTTED => 9:29 AM

PATH: V:\West Valley LLC-55-0162B-Silva Valley Pkwy (C:\CADD\Drawings\NAME: svp\_PS-1 THRU PS-6

PLOT DATE: Oct 16, 2012-10:20:58pm

CAD USER: jnettleton

**NOTE:**  
1. STATIONING RUNS OPPOSITE TO THE DIRECTION OF TRAVEL.

Dist	COUNTY	ROUTE	POST MILES TOTAL PROJECT	SHEET No.	TOTAL SHEETS
03	ED	50	1.07/R2.40	35	367

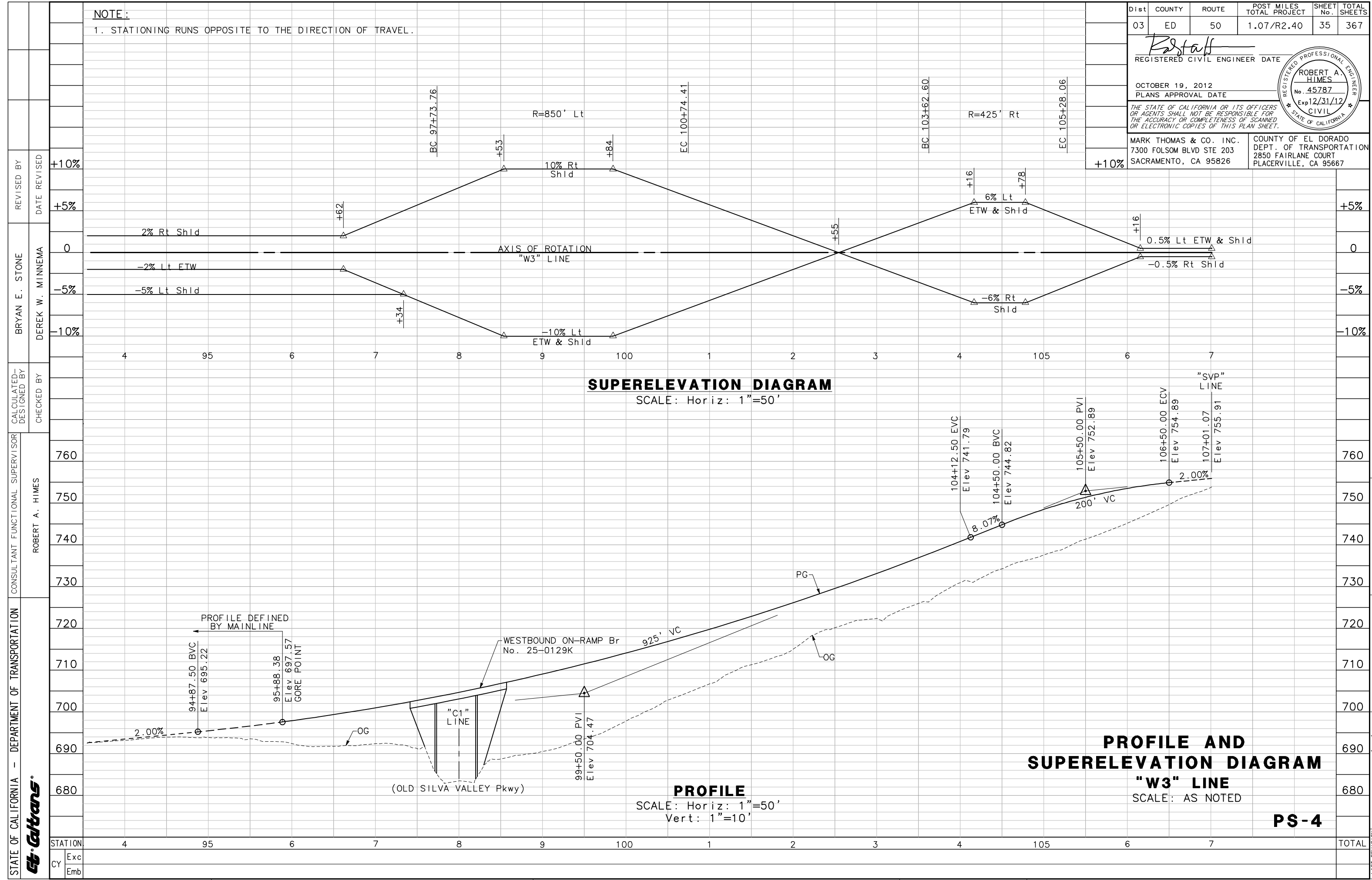
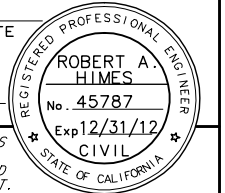
REGISTERED CIVIL ENGINEER DATE

OCTOBER 19, 2012  
PLANS APPROVAL DATE

THE STATE OF CALIFORNIA OR ITS OFFICERS OR AGENTS SHALL NOT BE RESPONSIBLE FOR THE ACCURACY OR COMPLETENESS OF SCANNED OR ELECTRONIC COPIES OF THIS PLAN SHEET.

MARK THOMAS & CO. INC.  
7300 FOLSOM BLVD STE 203  
SACRAMENTO, CA 95826

COUNTY OF EL DORADO  
DEPT. OF TRANSPORTATION  
2850 FAIRLANE COURT  
PLACERVILLE, CA 95667

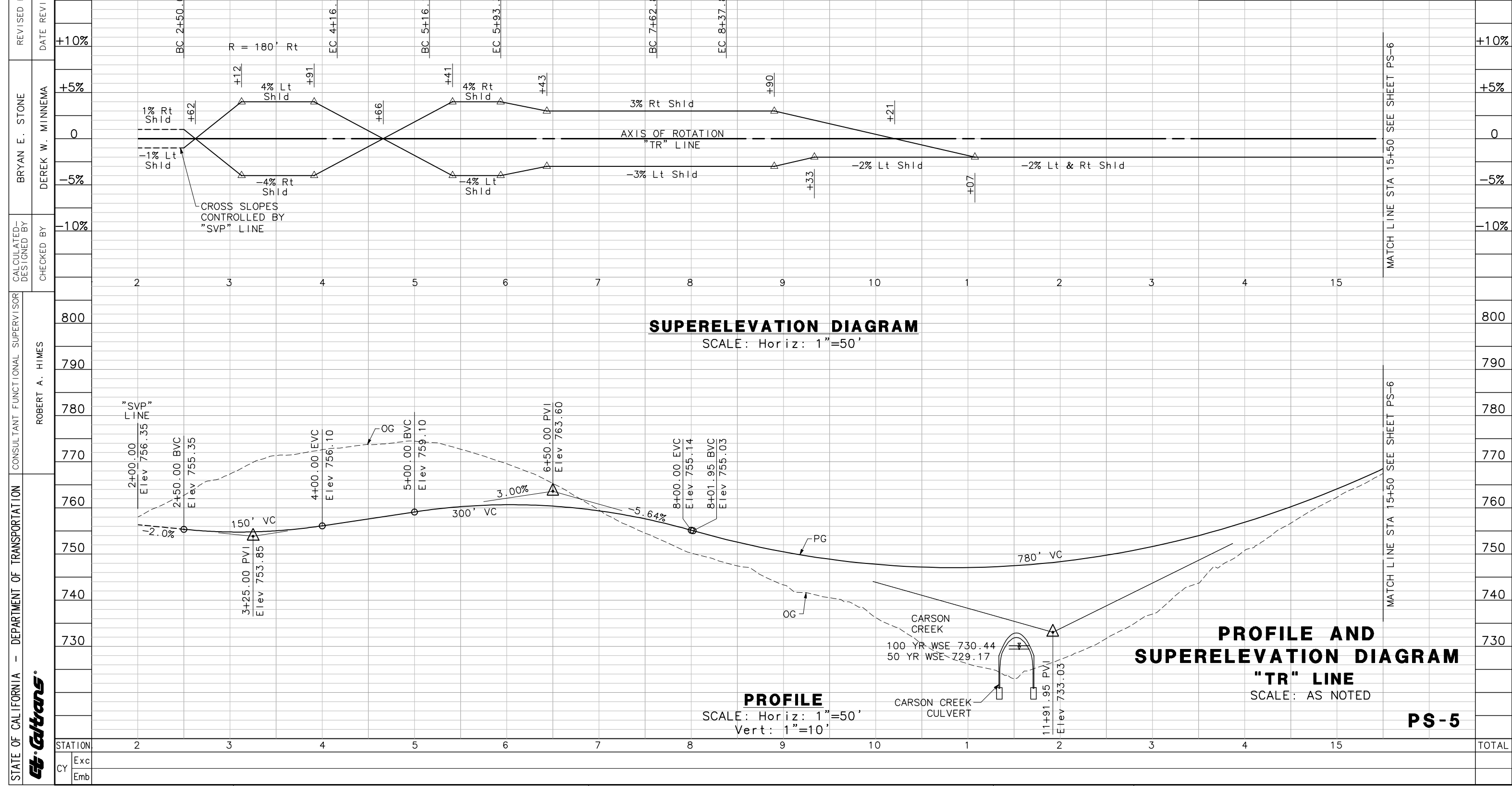


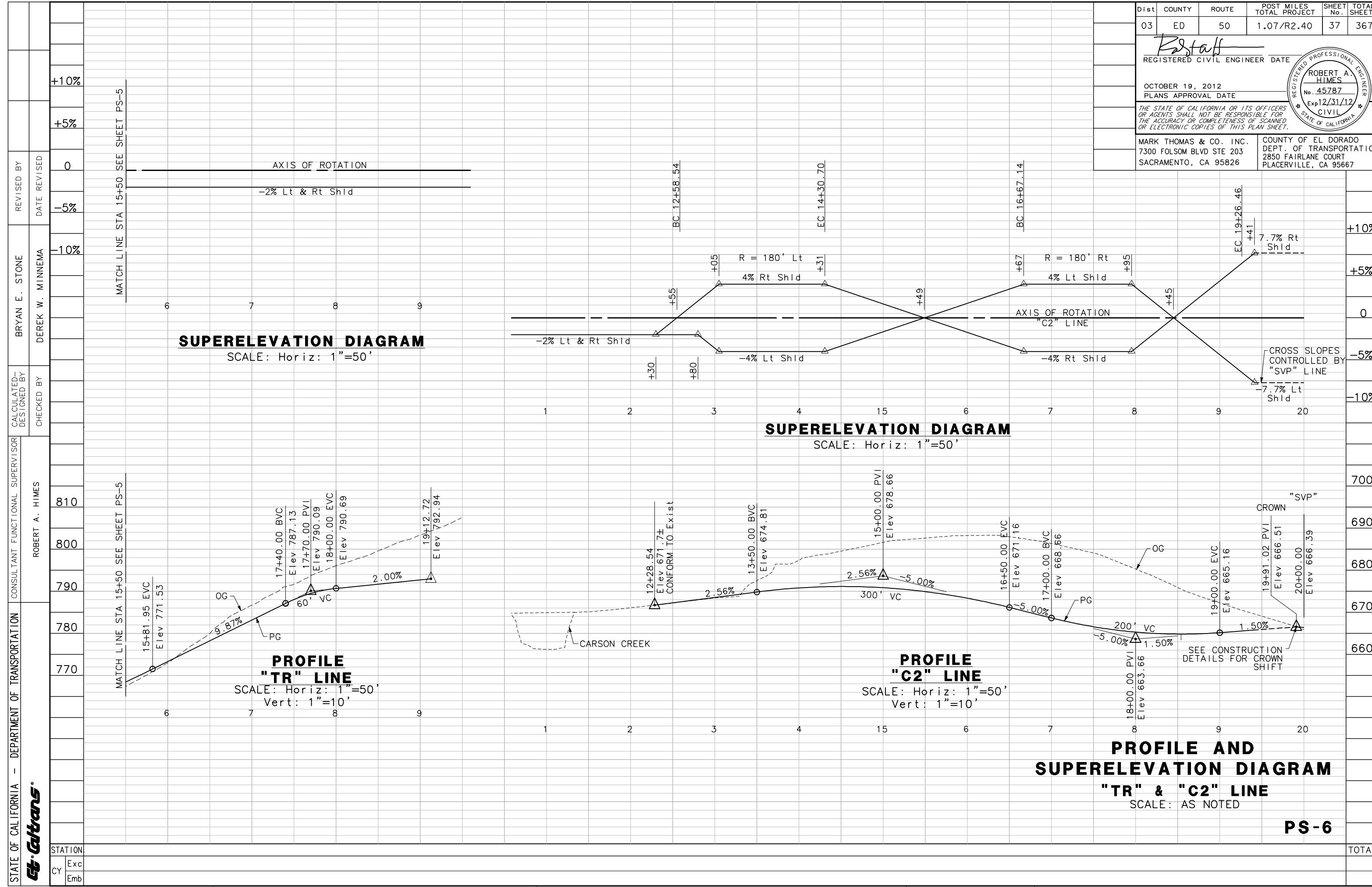
**SUPERELEVATION DIAGRAM**  
SCALE: Horiz: 1"=50'

**PROFILE AND SUPERELEVATION DIAGRAM**  
"W3" LINE  
SCALE: AS NOTED  
**PS-4**

PATH: V:\West Valley LLC-55-0162B-Siiva Valley Pkwy (C:\CADD\Drawings\NAME: svp\_PS-1 THRU PS-6 PLOT DATE: Oct 16, 2012-10:21:08pm CAD USER: jnettleton

Dist	COUNTY	ROUTE	POST MILES TOTAL PROJECT	SHEET No.	TOTAL SHEETS
03	ED	50	1.07/R2.40	36	367
<p><i>Estaff</i>          REGISTERED CIVIL ENGINEER DATE</p> <p>OCTOBER 19, 2012          PLANS APPROVAL DATE</p> <p>THE STATE OF CALIFORNIA OR ITS OFFICERS OR AGENTS SHALL NOT BE RESPONSIBLE FOR THE ACCURACY OR COMPLETENESS OF SCANNED OR ELECTRONIC COPIES OF THIS PLAN SHEET.</p>					
MARK THOMAS & CO. INC. 7300 FOLSOM BLVD STE 203 SACRAMENTO, CA 95826			COUNTY OF EL DORADO DEPT. OF TRANSPORTATION 2850 FAIRLANE COURT PLACERVILLE, CA 95667		









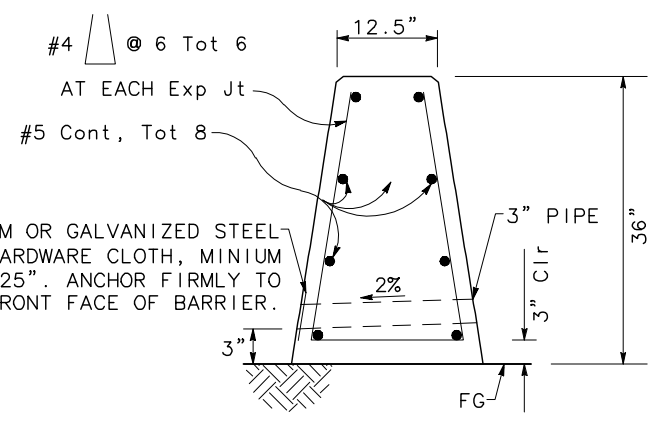
Dist	COUNTY	ROUTE	POST MILES TOTAL PROJECT	SHEET No.	TOTAL SHEETS
03	ED	50	1.07/R2.40	40	367

REGISTERED CIVIL ENGINEER DATE  
 OCTOBER 19, 2012  
 PLANS APPROVAL DATE

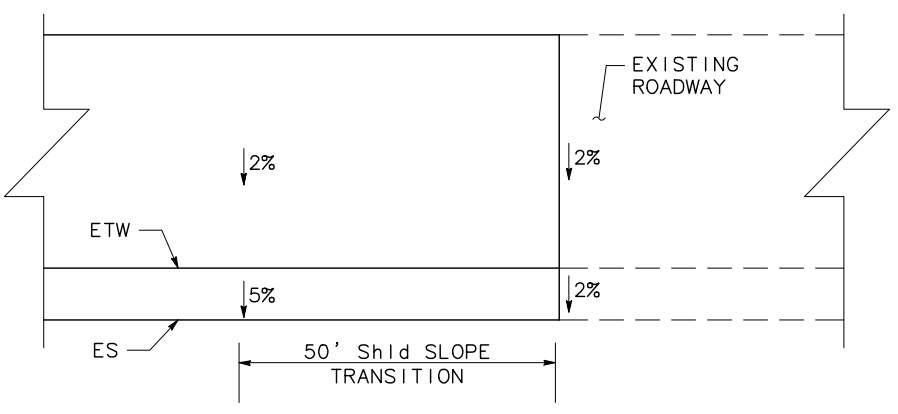
THE STATE OF CALIFORNIA OR ITS OFFICERS OR AGENTS SHALL NOT BE RESPONSIBLE FOR THE ACCURACY OR COMPLETENESS OF SCANNED OR ELECTRONIC COPIES OF THIS PLAN SHEET.

MARK THOMAS & CO. INC.  
 7300 FOLSOM BLVD STE 203  
 SACRAMENTO, CA 95826

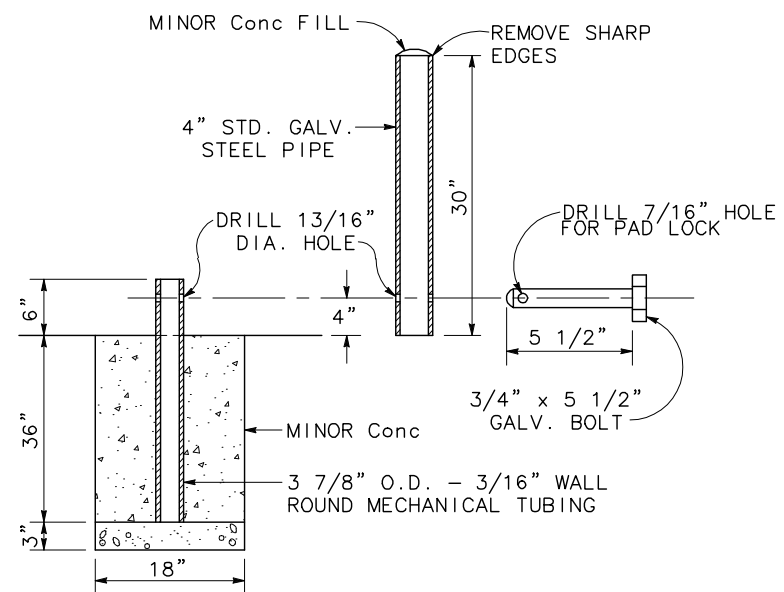
COUNTY OF EL DORADO  
 DEPT. OF TRANSPORTATION  
 2850 FAIRLANE COURT  
 PLACERVILLE, CA 95667



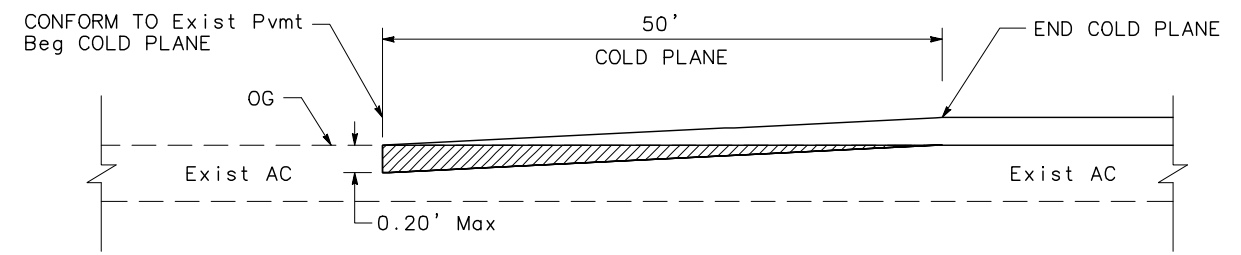
**Conc BARRIER (TYPE 60 MOD)**



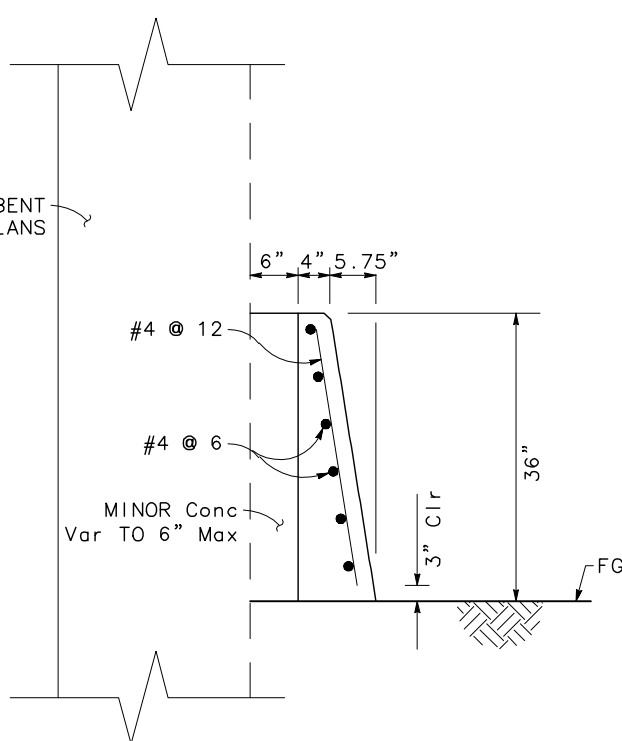
**SHOULDER CROSS SLOPE TRANSITION AT ROADWAY CONFORMS**



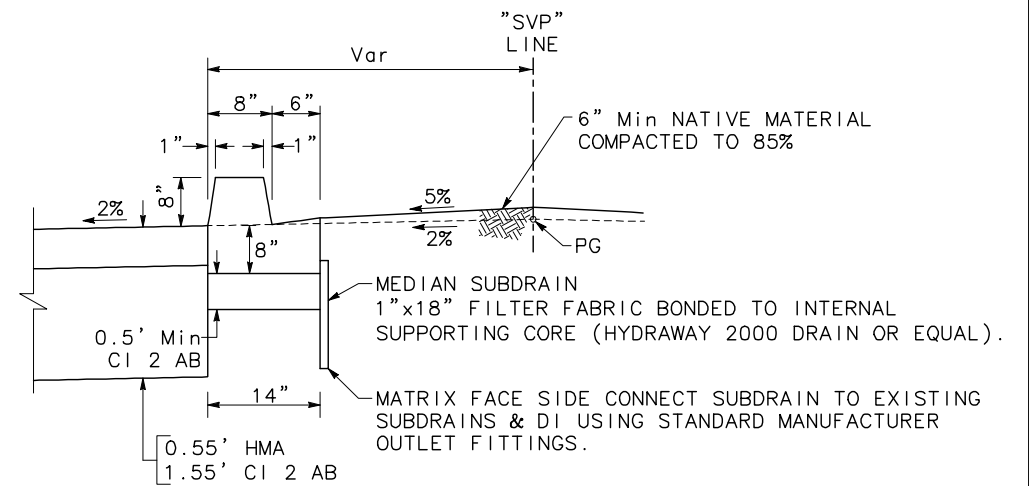
**REMOVABLE CENTER POST DETAIL**



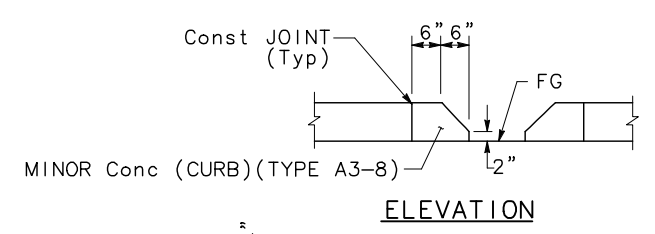
**PAVING CONFORM DETAIL**



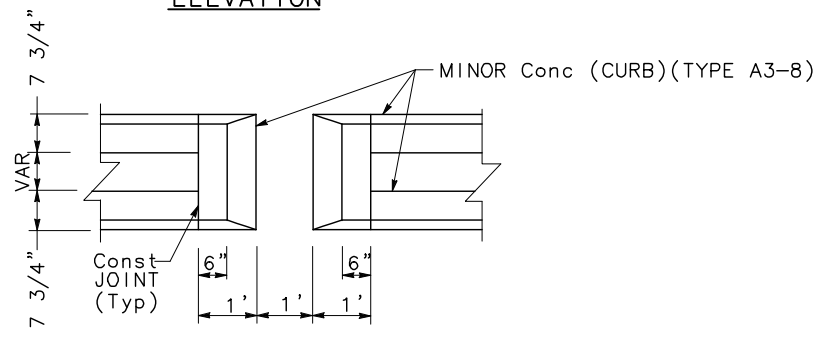
**Conc BARRIER (TYPE 60D MOD)**



**MINOR Conc (CURB) (TYPE M1-8) DETAIL**



**ELEVATION**



**PLAN**

**CURB BREAK IN MEDIAN ISLAND DETAIL**

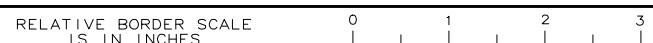
**NOTES:**  
 1. EROSION CONTROL (BLANKET) SHALL COVER THE FG AREA OF NATIVE MATERIAL BETWEEN TYPE M1-8 CURBS. SEE EC SHEETS.

**CONSTRUCTION DETAILS ROADWAY DETAILS**  
NO SCALE

**C-3**

STATE OF CALIFORNIA - DEPARTMENT OF TRANSPORTATION  
 CONSULTANT FUNCTIONAL SUPERVISOR: ROBERT A. HIMES  
 CALCULATED/DESIGNED BY: JEFF NETTLETON  
 CHECKED BY: DEREK W. MINNEMA  
 REVISIONS: (None listed)  
 USERNAME => JNETTLETON  
 DGN FILE => svp\_C-01 THRU C-08.dwg

SEE ISLAND DETAILS FOR LOCATIONS



UNIT 0259

PROJECT NUMBER & PHASE: 13-0677 D 40 of 68

BORDER LAST REVISED 7/2/2010

CAD USER: jnettleton  
 PLOT DATE: Oct 17, 2012-09:28:34am  
 PLOT FILE: V:\West Valley LLC-55-0162B-Siva Valley Pkwy (C:\CADD\DrawFiles\NAME: svp\_C-01 THRU C-08  
 COUNTY CIP: 71328  
 EA: 03-1E290  
 DATE PLOTTED => 7/14/2010  
 TIME PLOTTED => 9:29 AM



**NOTES:**

1. ALL CALLOUTS AT 50 FT STATION INCREMENTS ON THE "E1" LINE UNLESS OTHERWISE NOTED.
2. ALL ELEVATIONS ARE MEASURED TO THE TOP OF THE HMA LAYER.

Dist	COUNTY	ROUTE	POST MILES TOTAL PROJECT	SHEET No.	TOTAL SHEETS
03	ED	50	1.07/R2.40	41	367

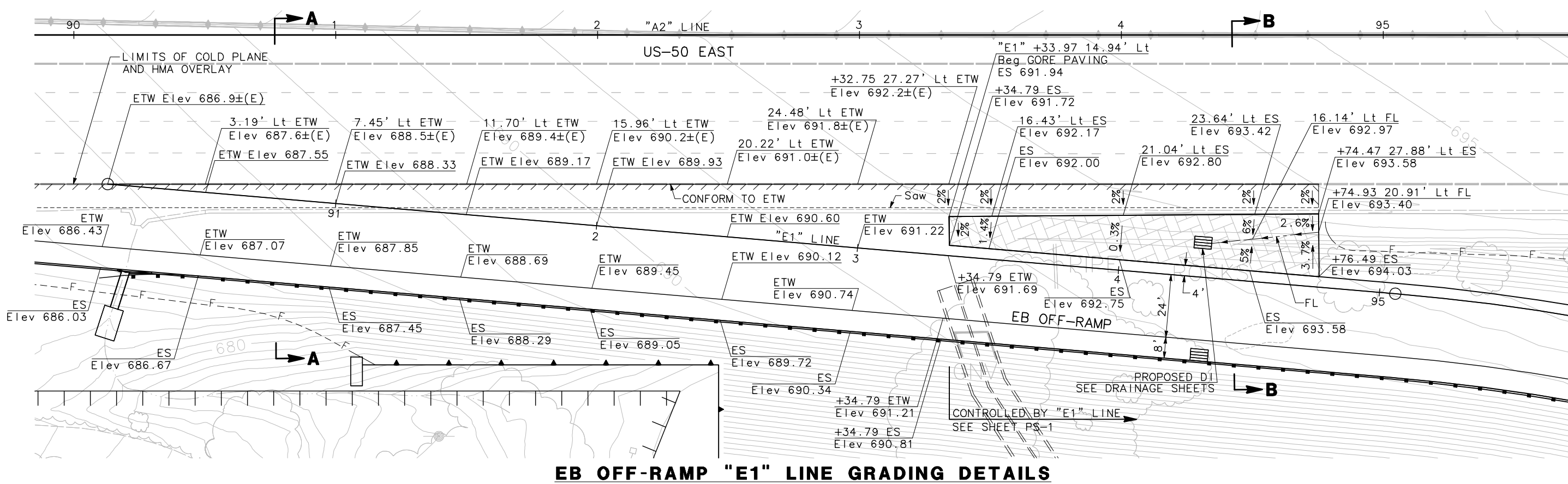
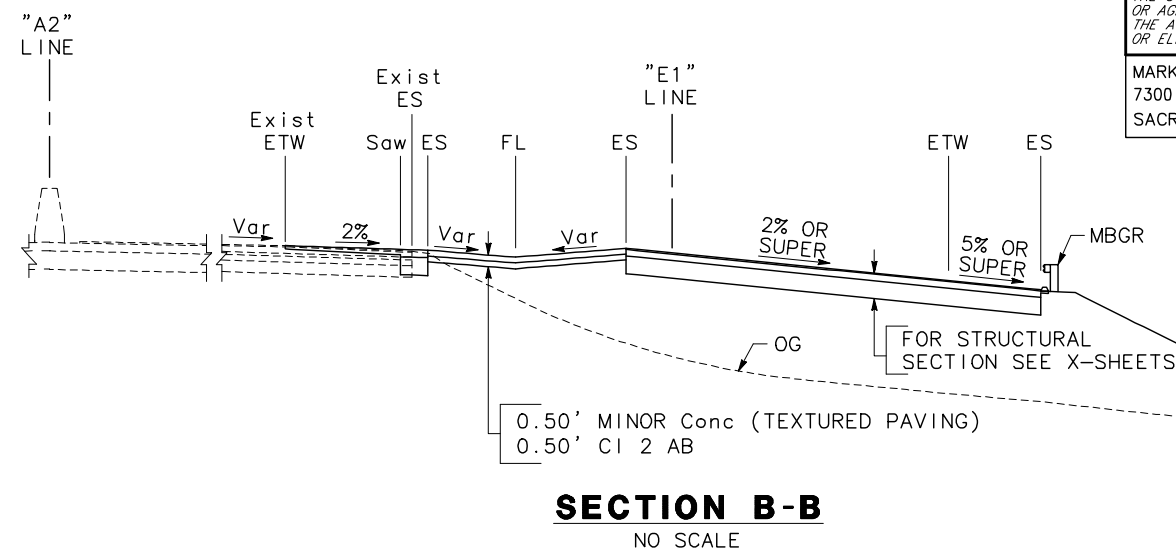
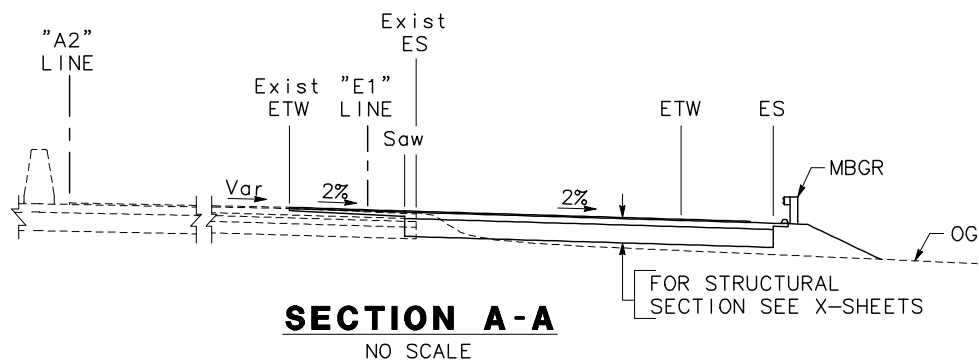
*Estaff*  
 REGISTERED CIVIL ENGINEER DATE  
 OCTOBER 19, 2012  
 PLANS APPROVAL DATE

ROBERT A. HIMES  
 No. 45787  
 Exp 12/31/12  
 CIVIL  
 STATE OF CALIFORNIA

THE STATE OF CALIFORNIA OR ITS OFFICERS OR AGENTS SHALL NOT BE RESPONSIBLE FOR THE ACCURACY OR COMPLETENESS OF SCANNED OR ELECTRONIC COPIES OF THIS PLAN SHEET.

MARK THOMAS & CO. INC.  
 7300 FOLSOM BLVD STE 203  
 SACRAMENTO, CA 95826

COUNTY OF EL DORADO  
 DEPT. OF TRANSPORTATION  
 2850 FAIRLANE COURT  
 PLACERVILLE, CA 95667



**CONSTRUCTION DETAILS**  
**GRADING**  
 SCALE: 1"=20'

**C-4**

CAD USER: jnettleton  
 PLOT DATE: Oct 17, 2012-09:28:55am  
 PLOT FILE: V:\West Valley LLC-55-0162B-Silva Valley Pkwy (C:\CADD\DrawFiles\svp\_C-01 THRU C-08  
 STATE OF CALIFORNIA - DEPARTMENT OF TRANSPORTATION  
 CONSULTANT FUNCTIONAL SUPERVISOR: ROBERT A. HIMES  
 CALCULATED/DESIGNED BY: JEFF NETTLETON  
 CHECKED BY: DEREK W. MINNEMA  
 REVISIONS: 00-00-00 DATE PLOTTED => 7/14/2010 TIME PLOTTED => 9:29 AM  
 COUNTY CIP: 71328 EA: 03-1E290

**NOTES:**

1. ALL CALLOUTS AT 50 FT STATION INCREMENTS ON THE "E2" LINE UNLESS OTHERWISE NOTED.
2. ALL ELEVATIONS ARE MEASURED TO THE TOP OF THE HMA LAYER.

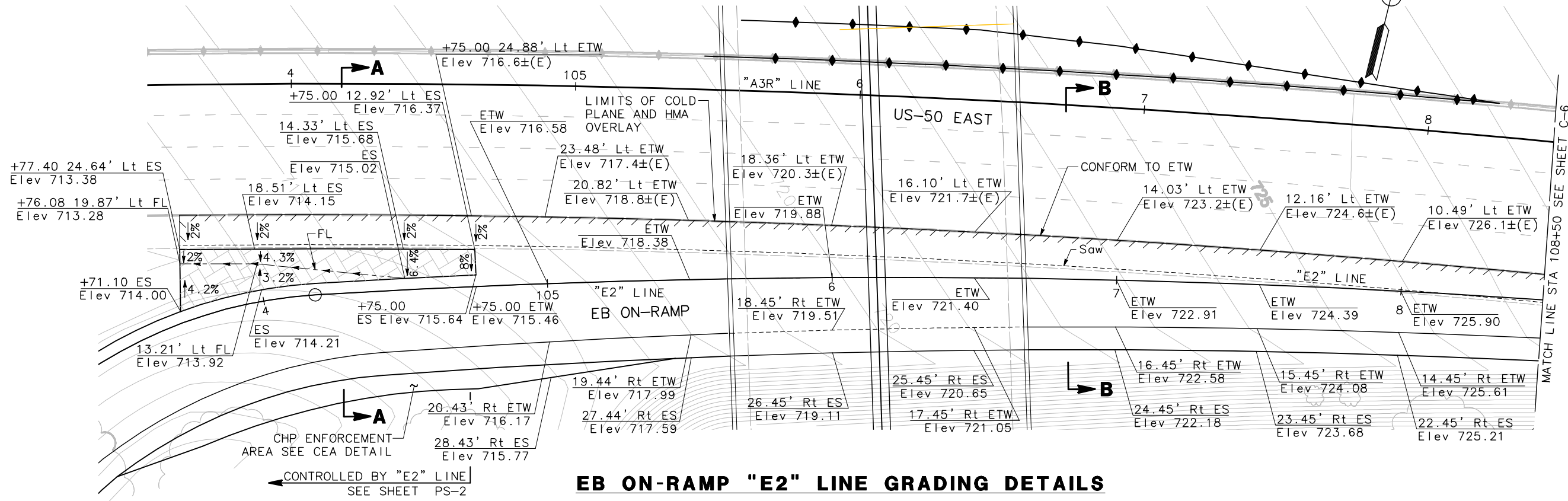
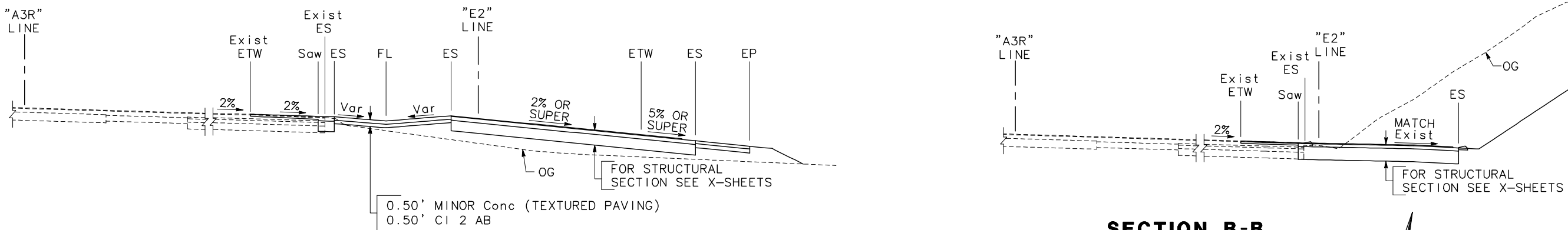
Dist	COUNTY	ROUTE	POST MILES TOTAL PROJECT	SHEET No.	TOTAL SHEETS
03	ED	50	1.07/R2.40	42	367

REGISTERED CIVIL ENGINEER DATE \_\_\_\_\_

OCTOBER 19, 2012
   
 PLANS APPROVAL DATE

THE STATE OF CALIFORNIA OR ITS OFFICERS OR AGENTS SHALL NOT BE RESPONSIBLE FOR THE ACCURACY OR COMPLETENESS OF SCANNED OR ELECTRONIC COPIES OF THIS PLAN SHEET.

MARK THOMAS & CO. INC. COUNTY OF EL DORADO
   
 7300 FOLSOM BLVD STE 203 DEPT. OF TRANSPORTATION
   
 SACRAMENTO, CA 95826 2850 FAIRLANE COURT
   
 PLACERVILLE, CA 95667



**CONSTRUCTION DETAILS**  
**GRADING**  
 SCALE: 1"=20'  
**C-5**

CAD USER: jnettleton  
 PLOT DATE: Oct 17, 2012-09:29:07am  
 PLOT FILE: V:\West Valley LLC-55-0162B-Siiva Valley Pkwy (C:\CADD\DrawFiles\NAME: svp\_C-01 THRU C-08  
 STATE OF CALIFORNIA - DEPARTMENT OF TRANSPORTATION  
 CONSULTANT FUNCTIONAL SUPERVISOR ROBERT A. HIMES  
 CALCULATED/DESIGNED BY CHECKED BY  
 JEFF NETTLETON DEREK W. MINNEMA  
 REVISIONS:

COUNTY CIP: 71328  
 EA: 03-1E290  
 DATE PLOTTED => 7/14/2010  
 TIME PLOTTED => 9:29 AM

**NOTES:**

1. ALL CALLOUTS AT 50 FT STATION INCREMENTS ON THE "E2" LINE UNLESS OTHERWISE NOTED.
2. ALL ELEVATIONS ARE MEASURED TO THE TOP OF THE HMA LAYER.

DIST	COUNTY	ROUTE	POST MILES TOTAL PROJECT	SHEET No.	TOTAL SHEETS
03	ED	50	1.07/R2.40	43	367

*Estaff*  
 REGISTERED CIVIL ENGINEER DATE  
 OCTOBER 19, 2012  
 PLANS APPROVAL DATE

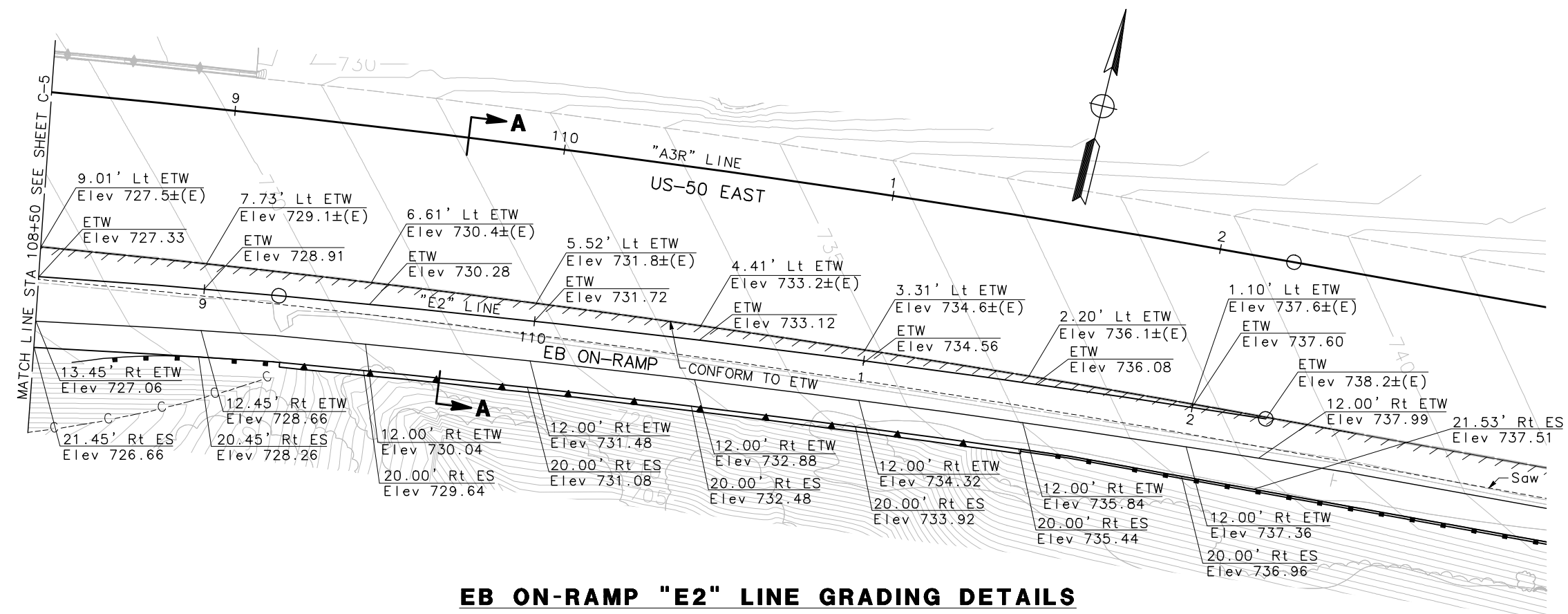
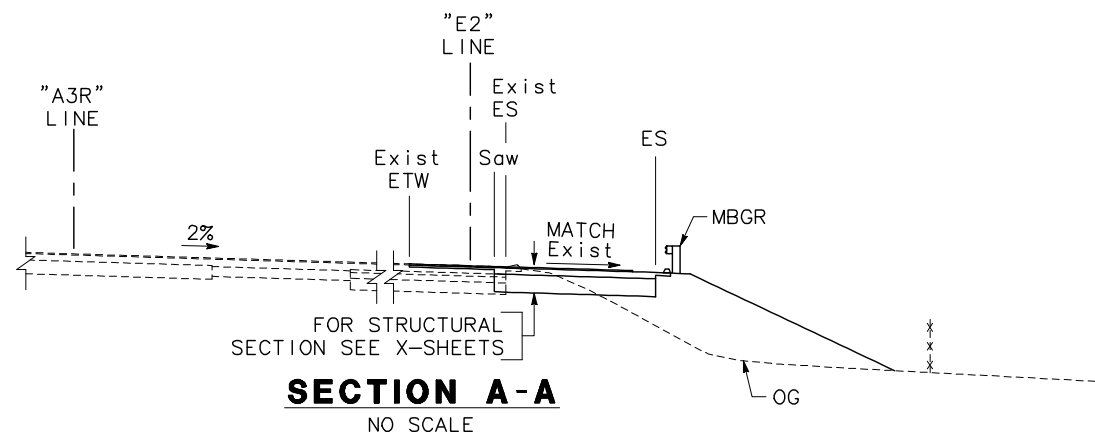
ROBERT A. HIMES  
 No. 45787  
 Exp 12/31/12  
 CIVIL  
 STATE OF CALIFORNIA

MARK THOMAS & CO. INC.  
 7300 FOLSOM BLVD STE 203  
 SACRAMENTO, CA 95826

COUNTY OF EL DORADO  
 DEPT. OF TRANSPORTATION  
 2850 FAIRLANE COURT  
 PLACERVILLE, CA 95667

THE STATE OF CALIFORNIA OR ITS OFFICERS OR AGENTS SHALL NOT BE RESPONSIBLE FOR THE ACCURACY OR COMPLETENESS OF SCANNED OR ELECTRONIC COPIES OF THIS PLAN SHEET.

REVISOR	DATE	REVISION
JEFF NETTLETON		
DEREK W. MINNEMA		
CALCULATED BY	DESIGNED BY	CHECKED BY
CONSULTANT	FUNCTIONAL SUPERVISOR	
ROBERT A. HIMES		
DEPARTMENT OF TRANSPORTATION		



**EB ON-RAMP "E2" LINE GRADING DETAILS**

**CONSTRUCTION DETAILS**  
**GRADING**  
 SCALE: 1"=20'  
**C-6**

CAD USER: jnettleton PLOT DATE: Oct 17, 2012-09:29:26am PLOT FILE: V:\West Valley LLC-55-0162B-Silva Valley Pkwy (C:\CADD\DrawFiles\NAME: svp\_C-01 THRU C-08

COUNTY CIP: 71328 EA: 03-1E290 DATE PLOTTED => 7/14/2010 TIME PLOTTED => 9:29 AM

**NOTES:**

1. ALL CALLOUTS AT 50 FT STATION INCREMENTS ON THE "W1" LINE UNLESS OTHERWISE NOTED.
2. ALL ELEVATIONS ARE MEASURED TO THE TOP OF THE HMA LAYER.

Dist	COUNTY	ROUTE	POST MILES TOTAL PROJECT	SHEET No.	TOTAL SHEETS
03	ED	50	1.07/R2.40	44	367

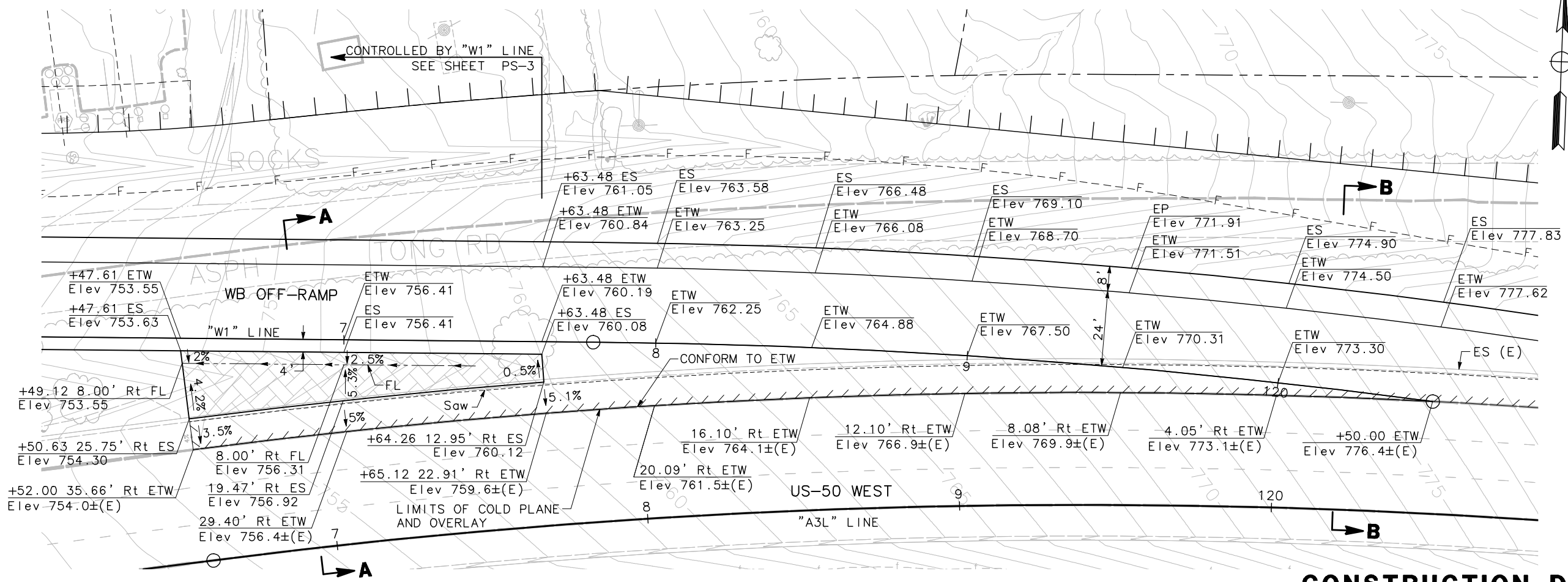
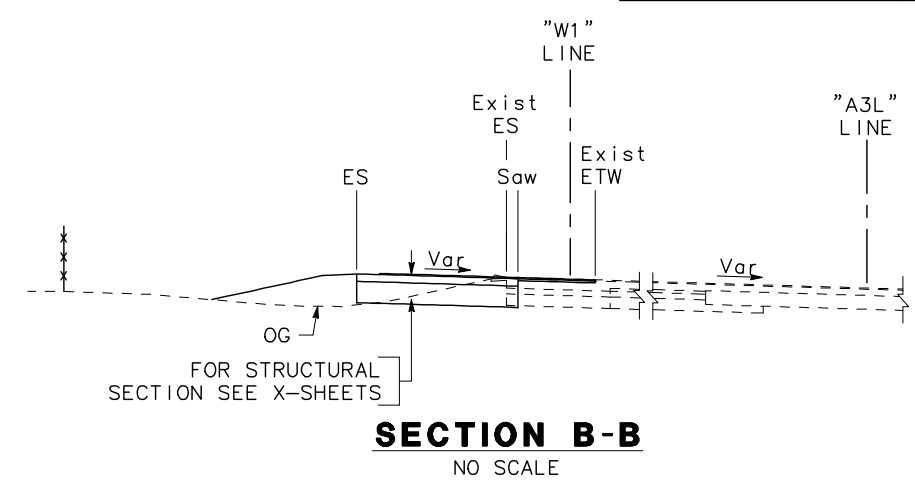
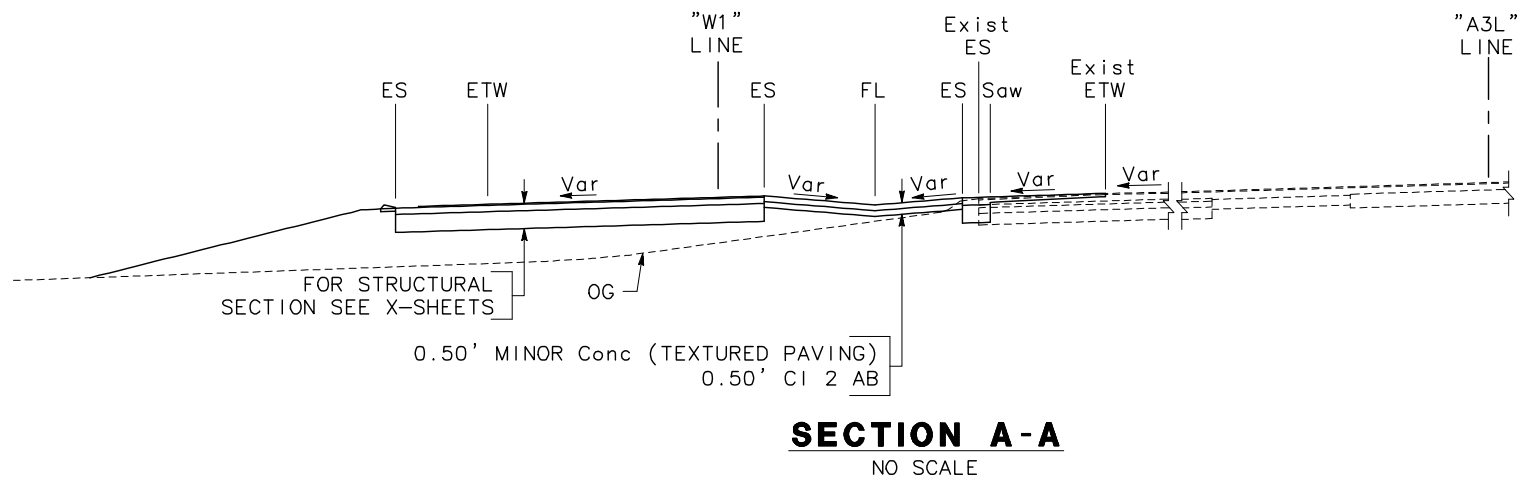
*Estaff*  
 REGISTERED CIVIL ENGINEER DATE  
 OCTOBER 19, 2012  
 PLANS APPROVAL DATE

ROBERT A. HIMES  
 No. 45787  
 Exp 12/31/12  
 CIVIL  
 STATE OF CALIFORNIA

THE STATE OF CALIFORNIA OR ITS OFFICERS OR AGENTS SHALL NOT BE RESPONSIBLE FOR THE ACCURACY OR COMPLETENESS OF SCANNED OR ELECTRONIC COPIES OF THIS PLAN SHEET.

MARK THOMAS & CO. INC.  
 7300 FOLSOM BLVD STE 203  
 SACRAMENTO, CA 95826

COUNTY OF EL DORADO  
 DEPT. OF TRANSPORTATION  
 2850 FAIRLANE COURT  
 PLACERVILLE, CA 95667



**WB OFF-RAMP "W1" LINE GRADING DETAILS**

**CONSTRUCTION DETAILS**

**GRADING**  
 SCALE: 1"=20'

**C-7**

STATE OF CALIFORNIA - DEPARTMENT OF TRANSPORTATION  
 JEFF NETTLETON  
 DEREK W. MINNEMA  
 ROBERT A. HIMES

USERNAME => JNETTLETON  
 DGN FILE => svp\_C-01 THRU C-08.dwg

RELATIVE BORDER SCALE IS IN INCHES  
 0 1 2 3

UNIT 0259

PROJECT NUMBER & PHASE 13-0677 D 44 of 68

CAD USER: jnettleton  
 PLOT DATE: Oct 17, 2012-09:29:39am  
 PLOT TIME: 00-00-00  
 DATE PLOTTED => 7/14/2010  
 TIME PLOTTED => 9:29 AM

EA: 03-1E290  
 COUNTY CIP: 71328



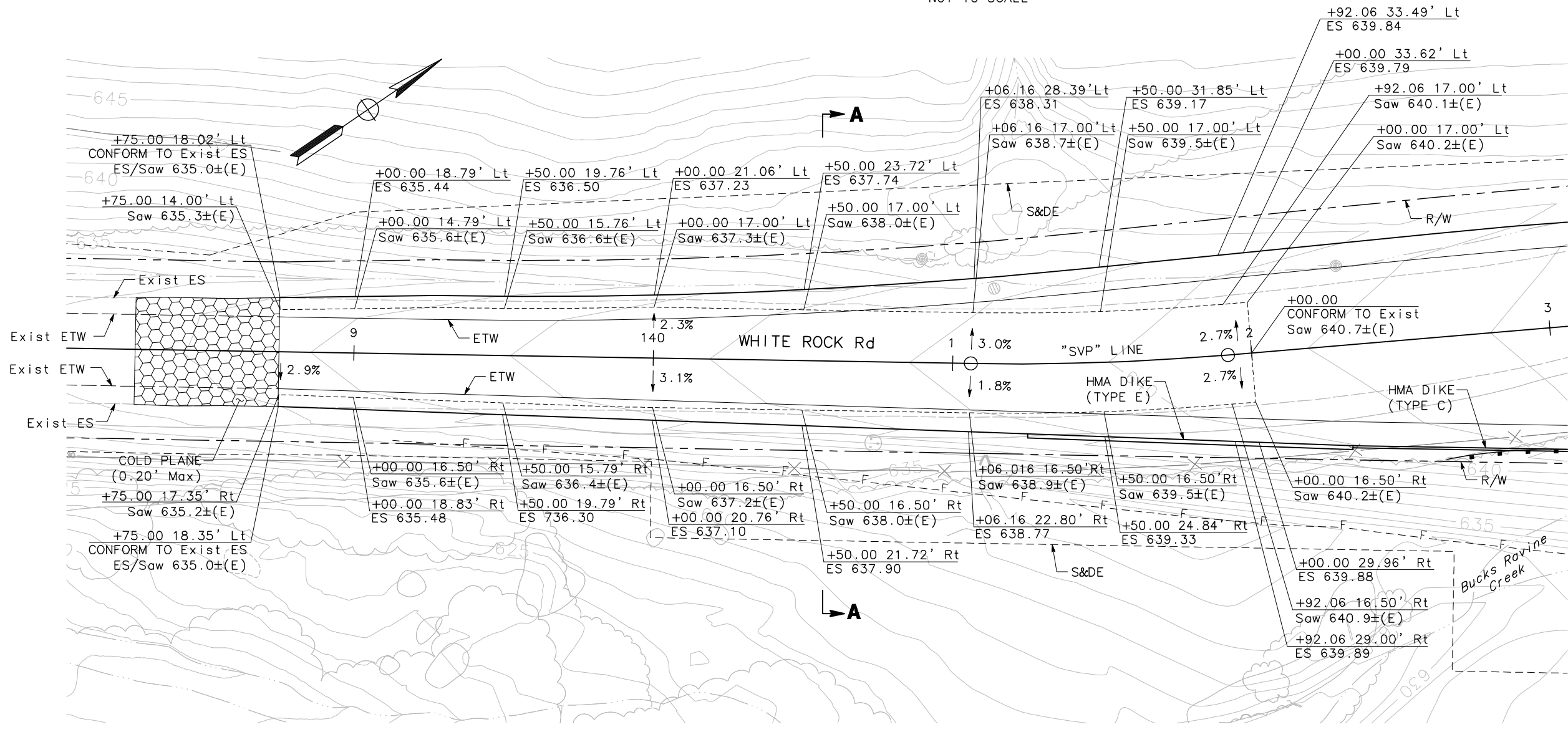
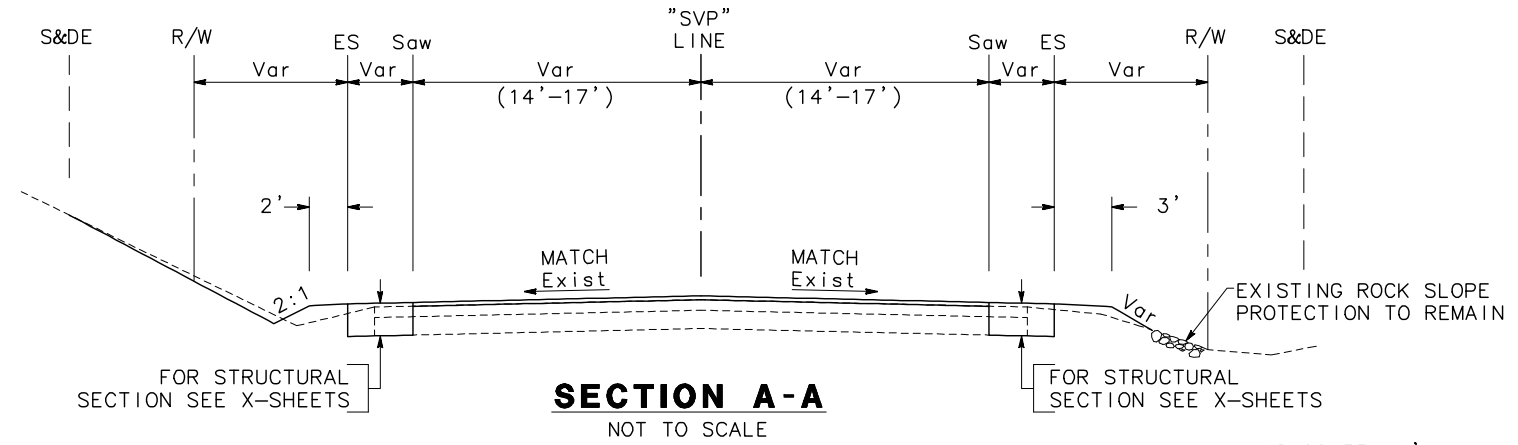
Dist	COUNTY	ROUTE	POST MILES TOTAL PROJECT	SHEET No.	TOTAL SHEETS
03	ED	50	1.07/R2.40	46	367

REGISTERED CIVIL ENGINEER DATE	
OCTOBER 19, 2012	
PLANS APPROVAL DATE	
<small>THE STATE OF CALIFORNIA OR ITS OFFICERS OR AGENTS SHALL NOT BE RESPONSIBLE FOR THE ACCURACY OR COMPLETENESS OF SCANNED OR ELECTRONIC COPIES OF THIS PLAN SHEET.</small>	
MARK THOMAS & CO. INC. 7300 FOLSOM BLVD STE 203 SACRAMENTO, CA 95826	COUNTY OF EL DORADO DEPT. OF TRANSPORTATION 2850 FAIRLANE COURT PLACERVILLE, CA 95667

**NOTES:**

1. ALL STATION OFFSET CALLOUTS REFERENCE THE "SVP" LINE UNLESS OTHERWISE NOTED.
2. ALL CURVE INFORMATION REFERENCES FLOW LINE OF CURB AND GUTTER OR HMA DIKE.
3. INSTALL TYPE M1-8 CURB PER DETAIL ON SHEET C-3.
4. SEE LAYOUTS FOR HMA DIKE INFORMATION.

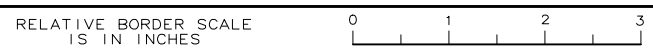


**SOUTH CONFORM DETAIL**  
WHITE ROCK Rd

**CONSTRUCTION DETAILS**  
**GRADING**  
SCALE: 1"=20'  
**C-9**

STATE OF CALIFORNIA - DEPARTMENT OF TRANSPORTATION  
 Et-Caltans  
 CONSULTANT FUNCTIONAL SUPERVISOR ROBERT A. HIMES  
 CHECKED BY DEREK W. MINNEMA  
 DESIGNED BY JEFF NETTLETON  
 REVISED BY DATE  
 REVISIONS: 00-00-00 TIME PLOTTED => 9:29 AM  
 00-00-00 DATE PLOTTED => 7/14/2010  
 COUNTY CIP: 71328 EA: 03-1E290

USERNAME => JNETTLETON  
DGN FILE => svp\_C-09 THRU C-21.dwg



UNIT 0259

PROJECT NUMBER & PHASE 13-0677 D 46 of 68

BORDER LAST REVISED 7/2/2010

CAD USER: jnettleton  
 PLOT DATE: Oct 16, 2012-11:15:26pm  
 PLOT THRU C-21

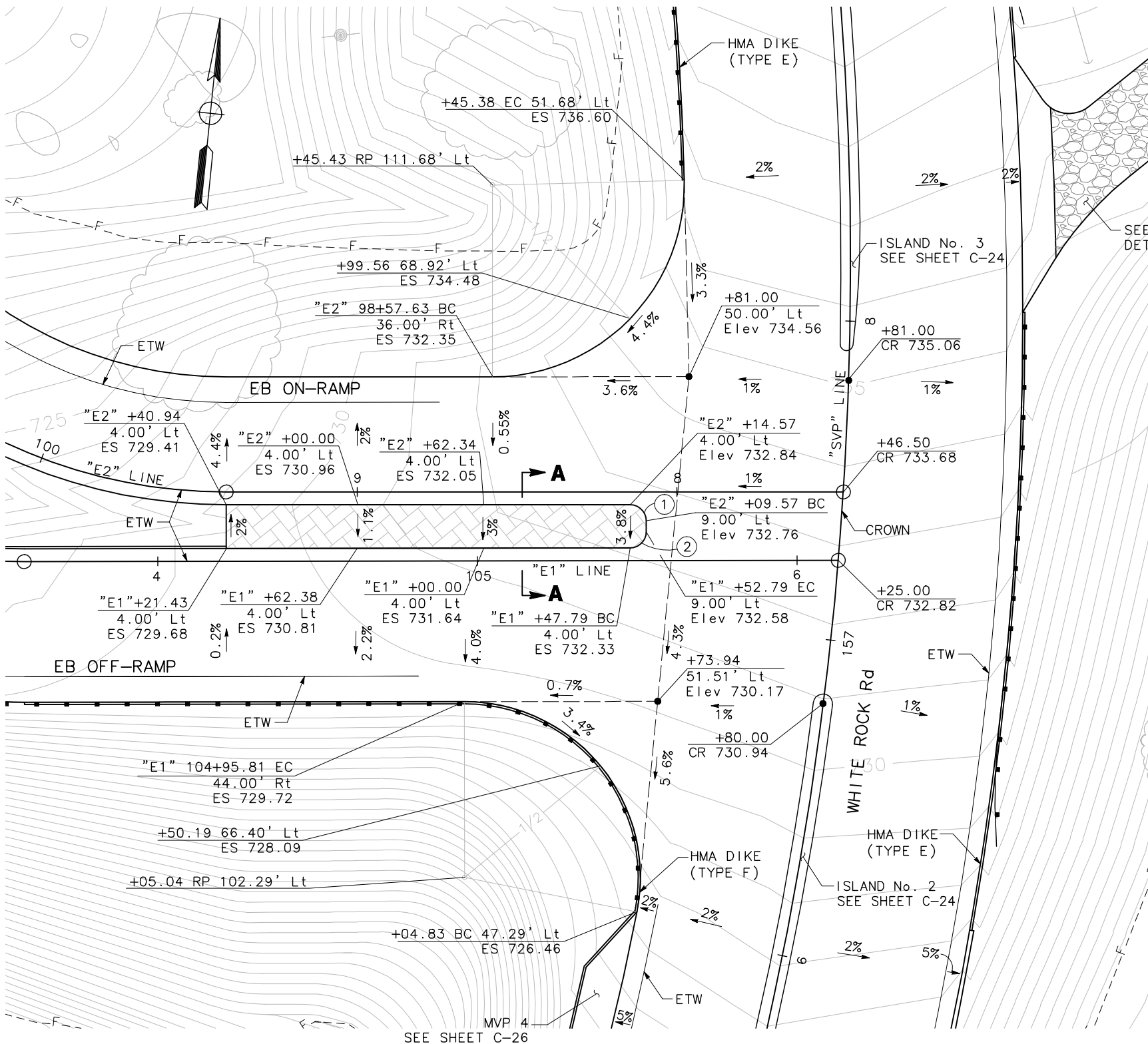


PATH: V:\West Valley LLC-55-0162B-Silva Valley Pkwy (C:\CADD\DrawFiles\NAME: svp\_C-09 THRU C-21 PLOT DATE: Oct 16, 2012-11:16:09pm CAD USER: jnettleton

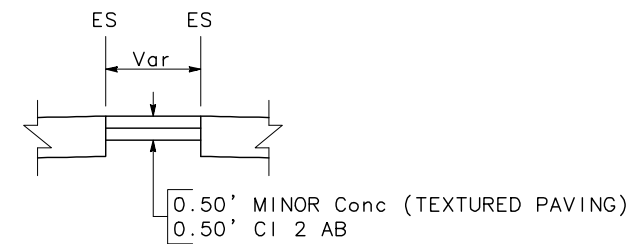
STATE OF CALIFORNIA - DEPARTMENT OF TRANSPORTATION	CONSULTANT FUNCTIONAL SUPERVISOR	CALCULATED/DESIGNED BY	REVISOR BY
<b>Stantec</b>	ROBERT A. HIMES	JEFF NETTLETON	DEREK W. MINNEMA
DATE PLOTTED => 7/14/2010	DGN FILE => svp_C-09 THRU C-21.dwg	CHECKED BY	DATE REVISED
00-00-00	15 IN INCHES	ROBERT A. HIMES	

**NOTES:**

1. ALL STATION OFFSET CALLOUTS REFERENCE THE "SVP" LINE UNLESS OTHERWISE NOTED.
2. ALL CURVE INFORMATION REFERENCE FLOW LINE OF HMA DIKE, EDGE OF SHOULDER OR GORE PAVING AREA LIMIT.
3. ALL ELEVATIONS ARE MEASURED TO THE TOP OF HMA LAYER.



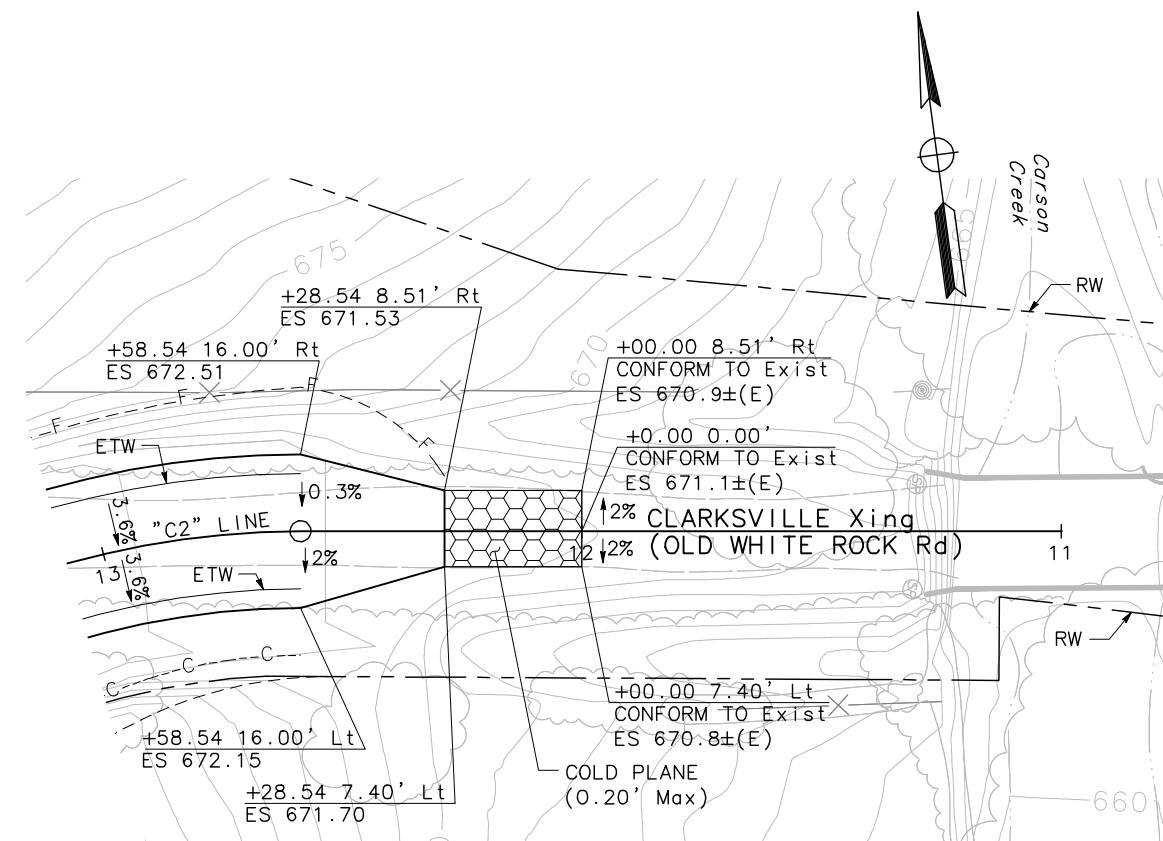
**INTERSECTION GRADING**  
WHITE ROCK Rd/EB ON & OFF RAMP



**SECTION A-A**

**CURVE DATA**

No.	R	Δ	T	L
①	5.00'	89°55'11"	4.99'	7.85'
②	5.00'	90°00'00"	5.00'	7.85'



**CLARKSVILLE CROSSING CONFORM**

**CONSTRUCTION DETAILS**  
**INTERSECTION GRADING**  
SCALE: 1"=20'

**C-11**





CAD USER: jnettleton  
 PLOT DATE: Oct 16, 2012-11:17:10pm  
 P:\West Valley LLC-55-0162B-Silva Valley Pkwy (CADD)\Drawings\NAME: svp\_C-09 THRU C-21

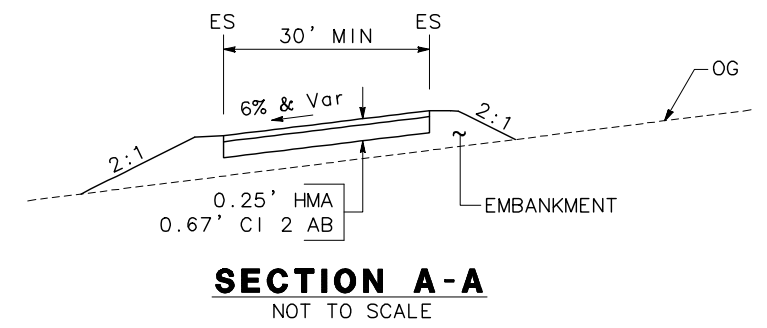
STATE OF CALIFORNIA - DEPARTMENT OF TRANSPORTATION	CONSULTANT FUNCTIONAL SUPERVISOR	REVISIONS
<b>Caltrans</b>	ROBERT A. HIMES	JEFF NETTLETON
	CHECKED BY	DEREK W. MINNEMA
	DESIGNED BY	
	REVISIONS	
	DATE	

**NOTES:**

1. ALL STATION OFFSET CALLOUTS REFERENCE THE "TR" LINE UNLESS OTHERWISE NOTED.
2. ALL CURVE INFORMATION REFERENCE FLOW LINE OF HMA DIKE OR EDGE OF SHOULDER.
3. INSTALL GUARD POST PER CALTRANS STANDARD PLAN ES-7Q.
4. SEE LAYOUTS FOR BEGIN/END HMA DIKE

**CURVE DATA**

No.	R	Δ	T	L
①	30'	95°41'17"	33.13'	50.10'
②	30'	89°11'54"	29.58'	46.70'
③	30'	84°18'43"	27.16'	44.15'
④	38'	73°14'09"	28.24'	48.57'
⑤	3'	99°52'24"	3.56'	5.23'



Dist	COUNTY	ROUTE	POST MILES TOTAL PROJECT	SHEET No.	TOTAL SHEETS
03	ED	50	1.07/R2.40	50	367

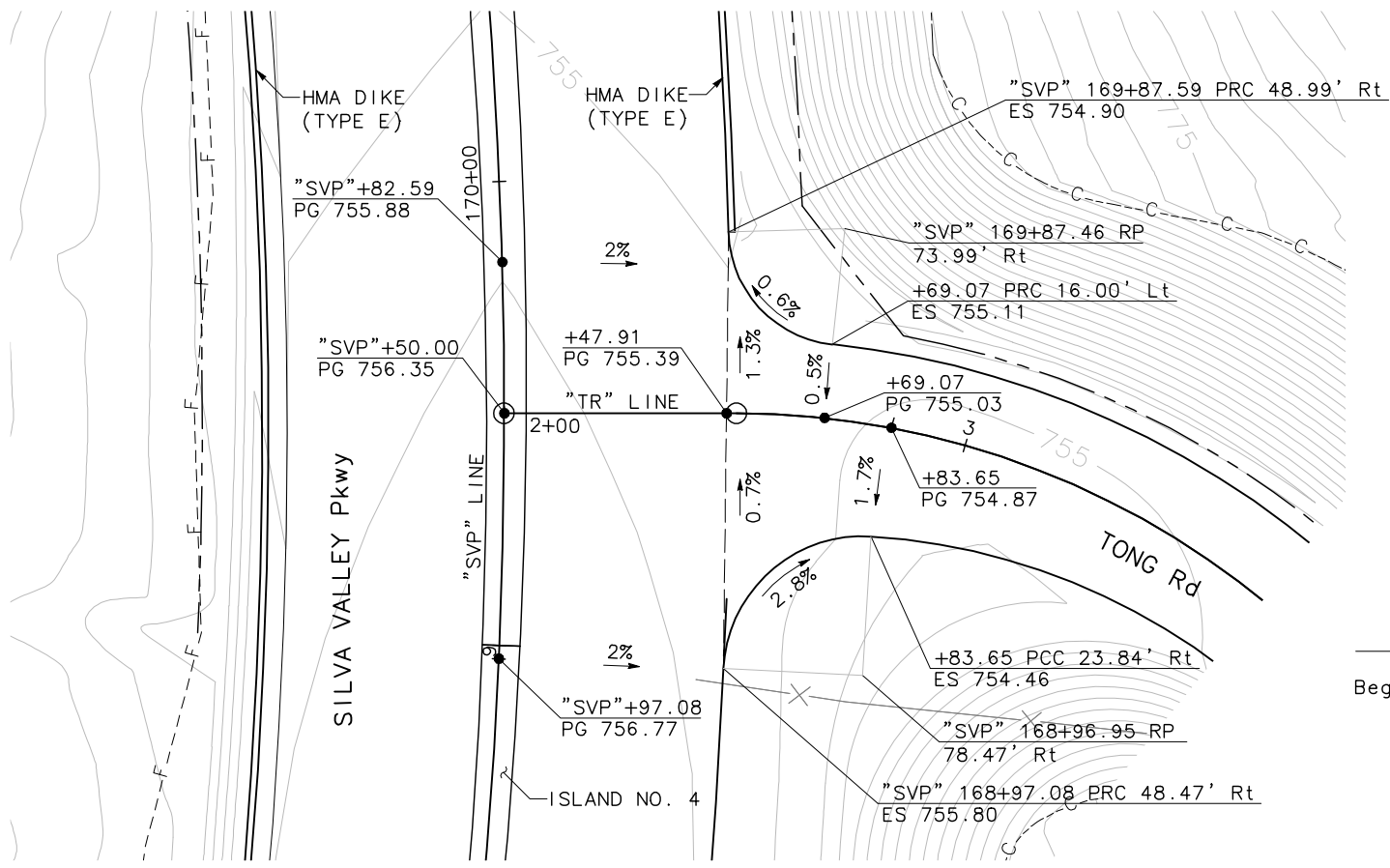
*Estaff*  
 REGISTERED CIVIL ENGINEER DATE

OCTOBER 19, 2012  
 PLANS APPROVAL DATE

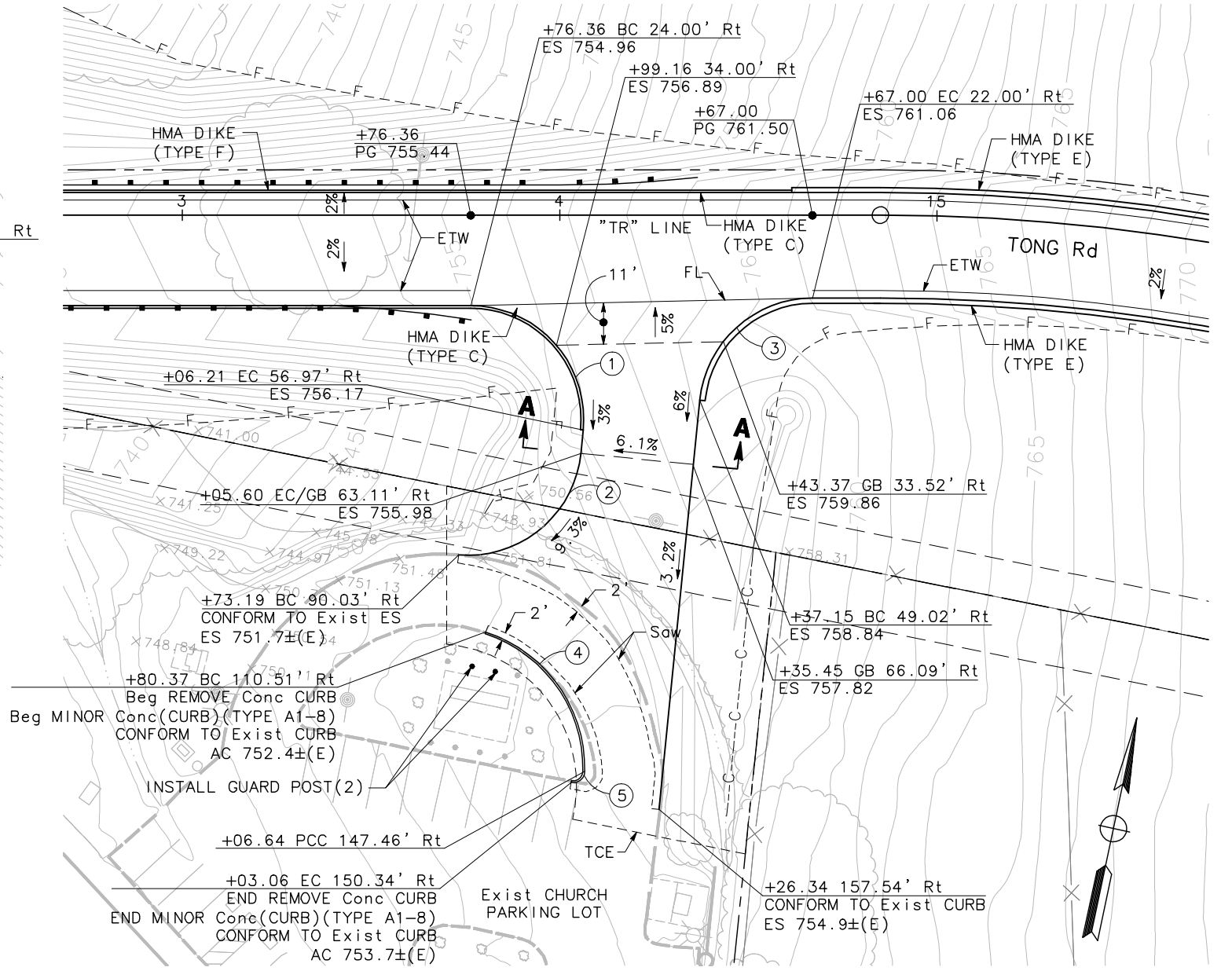
REGISTERED PROFESSIONAL ENGINEER  
 No. 45787  
 Exp 12/31/12  
 CIVIL  
 STATE OF CALIFORNIA

THE STATE OF CALIFORNIA OR ITS OFFICERS OR AGENTS SHALL NOT BE RESPONSIBLE FOR THE ACCURACY OR COMPLETENESS OF SCANNED OR ELECTRONIC COPIES OF THIS PLAN SHEET.

MARK THOMAS & CO. INC. 7300 FOLSOM BLVD STE 203 SACRAMENTO, CA 95826	COUNTY OF EL DORADO DEPT. OF TRANSPORTATION 2850 FAIRLANE COURT PLACERVILLE, CA 95667
--	--



**INTERSECTION GRADING**  
 SILVA VALLEY Pkwy/TONG Rd



**NORTH CHURCH ACCESS DETAIL**  
 TONG Rd/CHURCH DRIVEWAY

**CONSTRUCTION DETAILS**  
**GRADING**  
 SCALE: 1"=20'

**C-13**

LAST REVISION DATE PLOTTED => 7/14/2010 9:29 AM  
 COUNTY CIP: 71328      EA: 03-1E290

**NOTES:**

1. ALL STATION OFFSET CALLOUTS REFERENCE THE "TR" LINE UNLESS OTHERWISE NOTED.
2. ALL CURVE INFORMATION REFERENCE FLOW LINE OF HMA DIKE OR EDGE OF SHOULDER.
3. INSTALL GUARD POST PER CALTRANS STANDARD PLAN ES-7Q.
4. INSTALL REMOVABLE CENTER POST PER DETAIL ON SHEET C-3.

**CURVE DATA**

No.	R	Δ	T	L
①	10.00'	92°44'09"	10.49'	16.19'
②	10.00'	96°16'08"	11.56'	17.15'
③	10.00'	67°39'28"	6.70'	11.81'
④	38.76'	29°05'03"	10.05'	19.67'
⑤	54.00'	26°02'12"	12.49'	24.54'
⑥	10.00'	96°31'19"	11.21'	16.85'
⑦	10.00'	85°18'28"	9.21'	14.89'
⑧	66.00'	29°04'07"	17.11'	33.48'

DIST	COUNTY	ROUTE	POST MILES TOTAL PROJECT	SHEET No.	TOTAL SHEETS
03	ED	50	1.07/R2.40	51	367

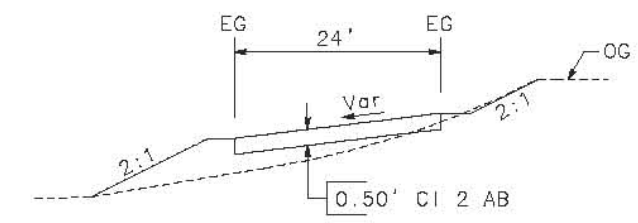
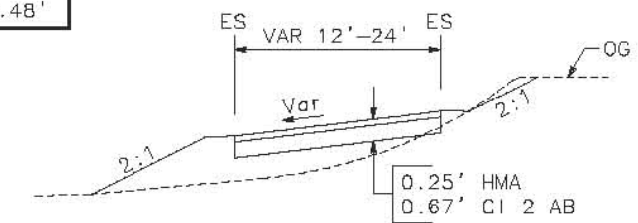
**Robert A. Himes**  
REGISTERED CIVIL ENGINEER DATE

OCTOBER 19, 2012  
PLANS APPROVAL DATE

THE STATE OF CALIFORNIA OR ITS OFFICERS OR AGENTS SHALL NOT BE RESPONSIBLE FOR THE ACCURACY OR COMPLETENESS OF SCANNED OR ELECTRONIC COPIES OF THIS PLAN SHEET.

MARK THOMAS & CO., INC.  
7300 FOLSOM BLVD STE 203  
SACRAMENTO, CA 95826

COUNTY OF EL DORADO  
DEPT. OF TRANSPORTATION  
2850 FAIRLANE COURT  
PLACERVILLE, CA 95667



**CUL-DE-SAC ACCESS DETAIL**

**CONSTRUCTION DETAILS**

**GRADING**  
SCALE: 1"=20'

**C-14**

STATE OF CALIFORNIA - DEPARTMENT OF TRANSPORTATION  
**Caltrans**  
 CONSULTANT FUNCTIONAL SUPERVISOR: ROBERT A. HIMES  
 CHECKED BY: DEREK W. MINNEMA  
 DESIGNED BY: JEFF NETTLETON  
 REVISIONS: REVISION 1 DATE: 7/2/2010  
 REVISION 2 DATE: 7/2/2010  
 REVISION 3 DATE: 7/2/2010  
 REVISION 4 DATE: 7/2/2010  
 REVISION 5 DATE: 7/2/2010  
 REVISION 6 DATE: 7/2/2010  
 REVISION 7 DATE: 7/2/2010  
 REVISION 8 DATE: 7/2/2010  
 REVISION 9 DATE: 7/2/2010  
 REVISION 10 DATE: 7/2/2010  
 REVISION 11 DATE: 7/2/2010  
 REVISION 12 DATE: 7/2/2010  
 REVISION 13 DATE: 7/2/2010  
 REVISION 14 DATE: 7/2/2010  
 REVISION 15 DATE: 7/2/2010  
 REVISION 16 DATE: 7/2/2010  
 REVISION 17 DATE: 7/2/2010  
 REVISION 18 DATE: 7/2/2010  
 REVISION 19 DATE: 7/2/2010  
 REVISION 20 DATE: 7/2/2010  
 REVISION 21 DATE: 7/2/2010  
 REVISION 22 DATE: 7/2/2010  
 REVISION 23 DATE: 7/2/2010  
 REVISION 24 DATE: 7/2/2010  
 REVISION 25 DATE: 7/2/2010  
 REVISION 26 DATE: 7/2/2010  
 REVISION 27 DATE: 7/2/2010  
 REVISION 28 DATE: 7/2/2010  
 REVISION 29 DATE: 7/2/2010  
 REVISION 30 DATE: 7/2/2010  
 REVISION 31 DATE: 7/2/2010  
 REVISION 32 DATE: 7/2/2010  
 REVISION 33 DATE: 7/2/2010  
 REVISION 34 DATE: 7/2/2010  
 REVISION 35 DATE: 7/2/2010  
 REVISION 36 DATE: 7/2/2010  
 REVISION 37 DATE: 7/2/2010  
 REVISION 38 DATE: 7/2/2010  
 REVISION 39 DATE: 7/2/2010  
 REVISION 40 DATE: 7/2/2010  
 REVISION 41 DATE: 7/2/2010  
 REVISION 42 DATE: 7/2/2010  
 REVISION 43 DATE: 7/2/2010  
 REVISION 44 DATE: 7/2/2010  
 REVISION 45 DATE: 7/2/2010  
 REVISION 46 DATE: 7/2/2010  
 REVISION 47 DATE: 7/2/2010  
 REVISION 48 DATE: 7/2/2010  
 REVISION 49 DATE: 7/2/2010  
 REVISION 50 DATE: 7/2/2010  
 REVISION 51 DATE: 7/2/2010  
 REVISION 52 DATE: 7/2/2010  
 REVISION 53 DATE: 7/2/2010  
 REVISION 54 DATE: 7/2/2010  
 REVISION 55 DATE: 7/2/2010  
 REVISION 56 DATE: 7/2/2010  
 REVISION 57 DATE: 7/2/2010  
 REVISION 58 DATE: 7/2/2010  
 REVISION 59 DATE: 7/2/2010  
 REVISION 60 DATE: 7/2/2010  
 REVISION 61 DATE: 7/2/2010  
 REVISION 62 DATE: 7/2/2010  
 REVISION 63 DATE: 7/2/2010  
 REVISION 64 DATE: 7/2/2010  
 REVISION 65 DATE: 7/2/2010  
 REVISION 66 DATE: 7/2/2010  
 REVISION 67 DATE: 7/2/2010  
 REVISION 68 DATE: 7/2/2010  
 REVISION 69 DATE: 7/2/2010  
 REVISION 70 DATE: 7/2/2010  
 REVISION 71 DATE: 7/2/2010  
 REVISION 72 DATE: 7/2/2010  
 REVISION 73 DATE: 7/2/2010  
 REVISION 74 DATE: 7/2/2010  
 REVISION 75 DATE: 7/2/2010  
 REVISION 76 DATE: 7/2/2010  
 REVISION 77 DATE: 7/2/2010  
 REVISION 78 DATE: 7/2/2010  
 REVISION 79 DATE: 7/2/2010  
 REVISION 80 DATE: 7/2/2010  
 REVISION 81 DATE: 7/2/2010  
 REVISION 82 DATE: 7/2/2010  
 REVISION 83 DATE: 7/2/2010  
 REVISION 84 DATE: 7/2/2010  
 REVISION 85 DATE: 7/2/2010  
 REVISION 86 DATE: 7/2/2010  
 REVISION 87 DATE: 7/2/2010  
 REVISION 88 DATE: 7/2/2010  
 REVISION 89 DATE: 7/2/2010  
 REVISION 90 DATE: 7/2/2010  
 REVISION 91 DATE: 7/2/2010  
 REVISION 92 DATE: 7/2/2010  
 REVISION 93 DATE: 7/2/2010  
 REVISION 94 DATE: 7/2/2010  
 REVISION 95 DATE: 7/2/2010  
 REVISION 96 DATE: 7/2/2010  
 REVISION 97 DATE: 7/2/2010  
 REVISION 98 DATE: 7/2/2010  
 REVISION 99 DATE: 7/2/2010  
 REVISION 100 DATE: 7/2/2010

EA: 03-1E290  
COUNTY CIP: 71328  
DATE PLOTTED => 7/14/2010  
TIME PLOTTED => 9:29 AM

**NOTES:**

1. ALL STATION OFFSET CALLOUTS REFERENCE THE "SVP" LINE UNLESS OTHERWISE NOTED.
2. CURVE INFORMATION FOR CURB AND GUTTER IS IN REFERENCE TO THE FLOW LINE.
3. FOR CURB TYPE M1-8 SEE SHEET C-3.

**CURVE DATA**

No.	R	Δ	T	L
①	1057.90'	20°27'06"	190.84'	377.62'
②	1141.90'	14°33'35"	145.87'	290.17'
③	10.00'	91°52'14"	10.33'	16.03'

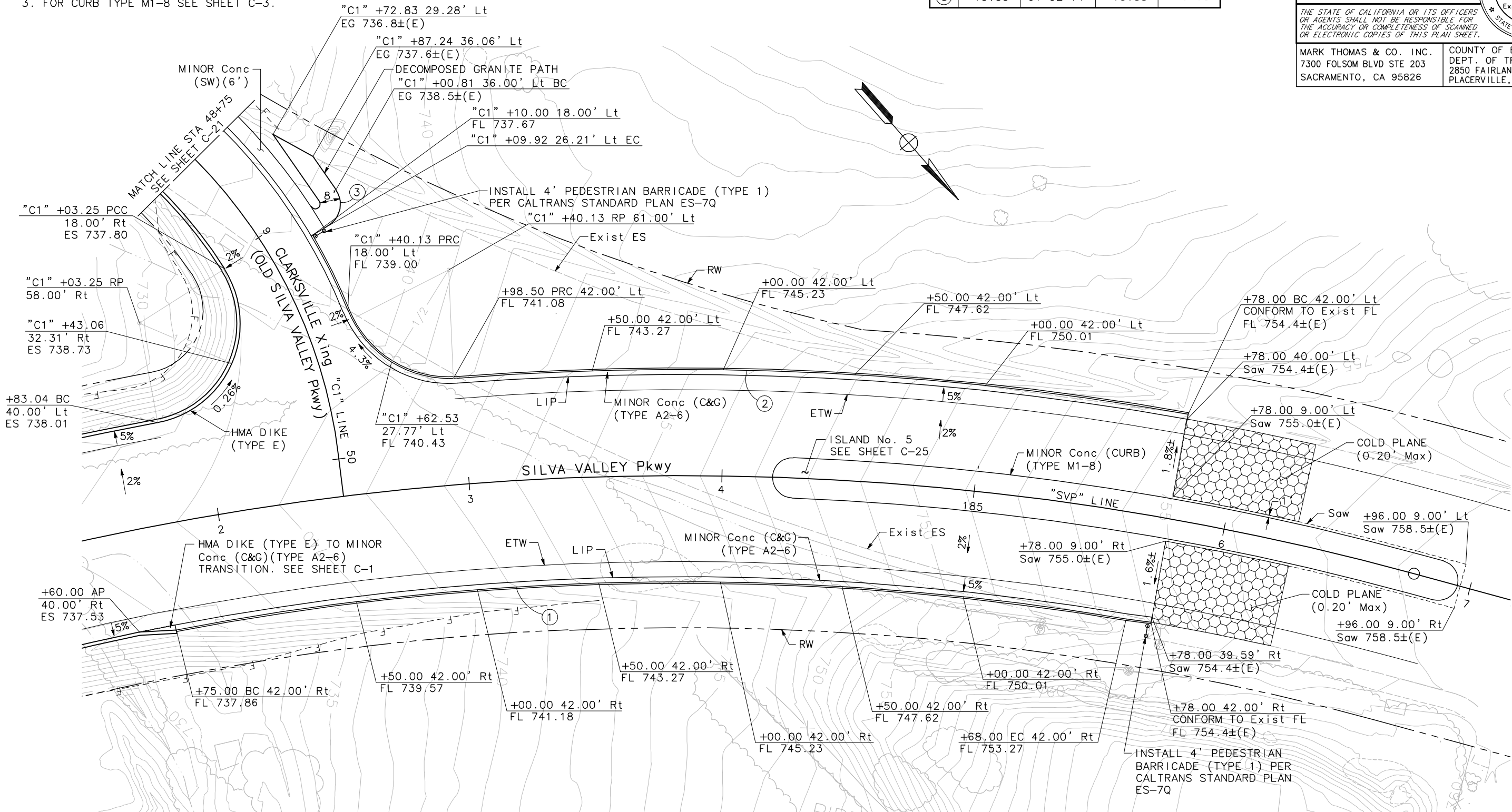
Dist	COUNTY	ROUTE	POST MILES TOTAL PROJECT	SHEET No.	TOTAL SHEETS
03	ED	50	1.07/R2.40	52	367

**Robert A. Himes**  
 REGISTERED CIVIL ENGINEER DATE  
 OCTOBER 19, 2012  
 PLANS APPROVAL DATE

THE STATE OF CALIFORNIA OR ITS OFFICERS OR AGENTS SHALL NOT BE RESPONSIBLE FOR THE ACCURACY OR COMPLETENESS OF SCANNED OR ELECTRONIC COPIES OF THIS PLAN SHEET.

MARK THOMAS & CO. INC.  
 7300 FOLSOM BLVD STE 203  
 SACRAMENTO, CA 95826

COUNTY OF EL DORADO  
 DEPT. OF TRANSPORTATION  
 2850 FAIRLANE COURT  
 PLACERVILLE, CA 95667



**NORTH CONFORM DETAIL**  
SILVA VALLEY Pkwy

**CONSTRUCTION DETAILS**  
**GRADING**  
SCALE: 1"=20'

**C-15**

**NOTES:**

1. ALL STATION OFFSET CALLOUTS REFERENCE THE "CP" LINE UNLESS OTHERWISE NOTED.
2. SEE UTILITY SHEETS FOR UTILITY WORK.
3. SEE PROFILE SHEETS FOR "CP" LINE PROFILE.

Dist	COUNTY	ROUTE	POST MILES TOTAL PROJECT	SHEET No.	TOTAL SHEETS
03	ED	50	1.07/R2.40	53	367

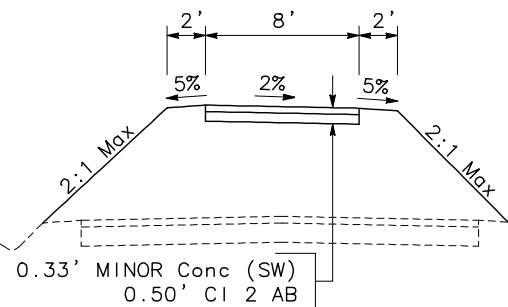
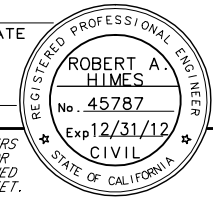
REGISTERED CIVIL ENGINEER DATE

OCTOBER 19, 2012  
PLANS APPROVAL DATE

THE STATE OF CALIFORNIA OR ITS OFFICERS OR AGENTS SHALL NOT BE RESPONSIBLE FOR THE ACCURACY OR COMPLETENESS OF SCANNED OR ELECTRONIC COPIES OF THIS PLAN SHEET.

MARK THOMAS & CO. INC.  
7300 FOLSOM BLVD STE 203  
SACRAMENTO, CA 95826

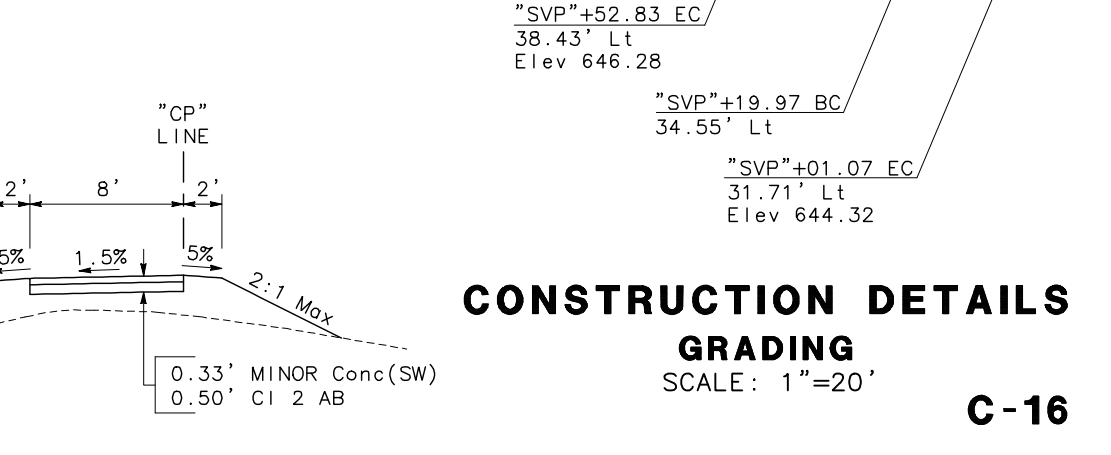
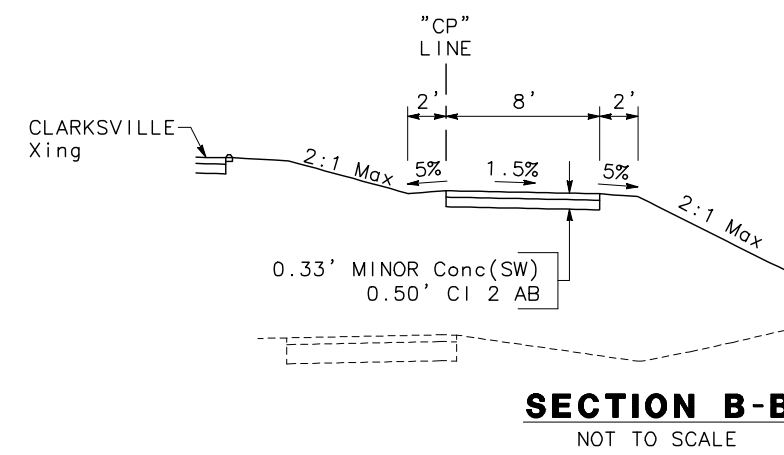
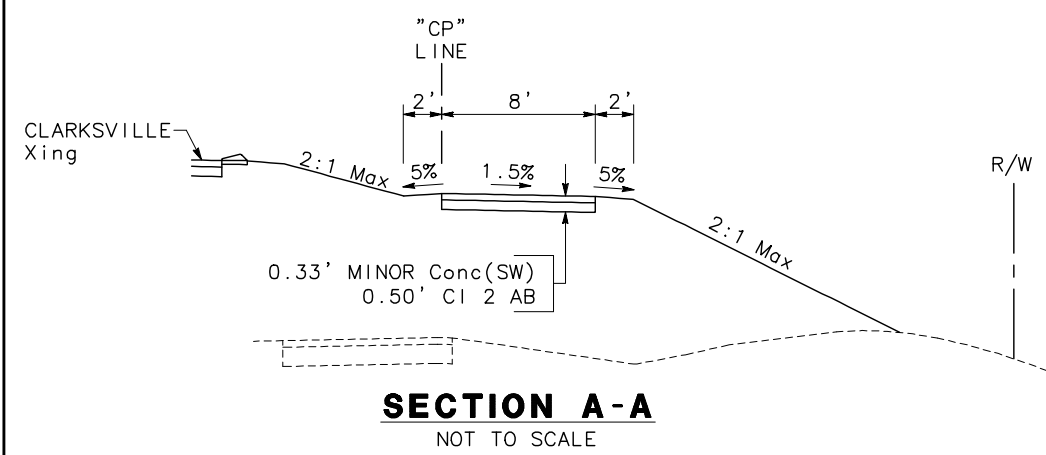
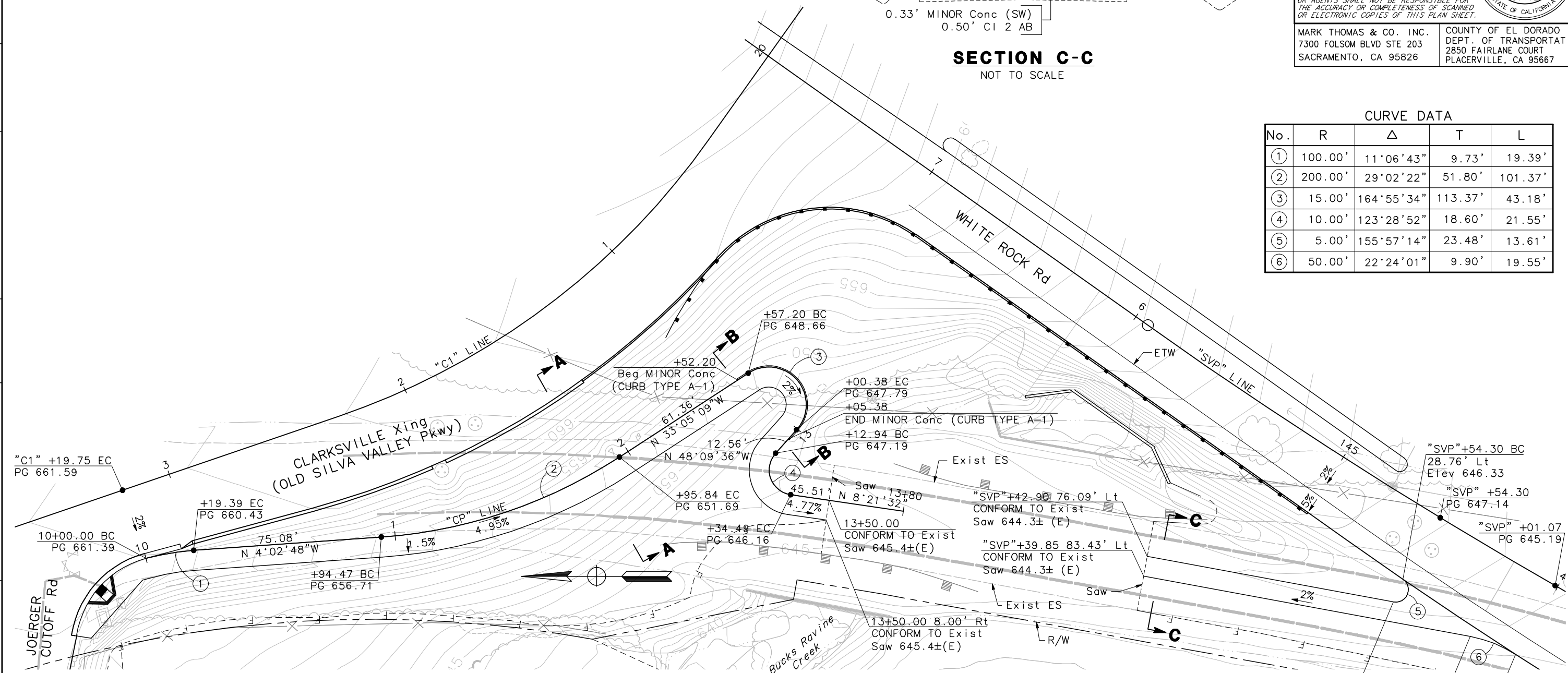
COUNTY OF EL DORADO  
DEPT. OF TRANSPORTATION  
2850 FAIRLANE COURT  
PLACERVILLE, CA 95667



R/W

**CURVE DATA**

No.	R	Δ	T	L
①	100.00'	11°06'43"	9.73'	19.39'
②	200.00'	29°02'22"	51.80'	101.37'
③	15.00'	164°55'34"	113.37'	43.18'
④	10.00'	123°28'52"	18.60'	21.55'
⑤	5.00'	155°57'14"	23.48'	13.61'
⑥	50.00'	22°24'01"	9.90'	19.55'



**CONSTRUCTION DETAILS**  
**GRADING**  
SCALE: 1"=20'

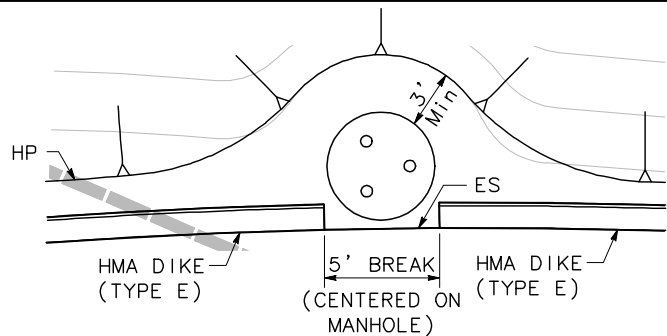
**C-16**

CAD USER: jnettleton  
PLOT DATE: Oct 16, 2012-11:18:06pm  
PATH: V:\West Valley LLC-55-0162B-Silva Valley Pkwy (C:\CADD\Drawings\NAME: svp\_C-09 THRU C-21

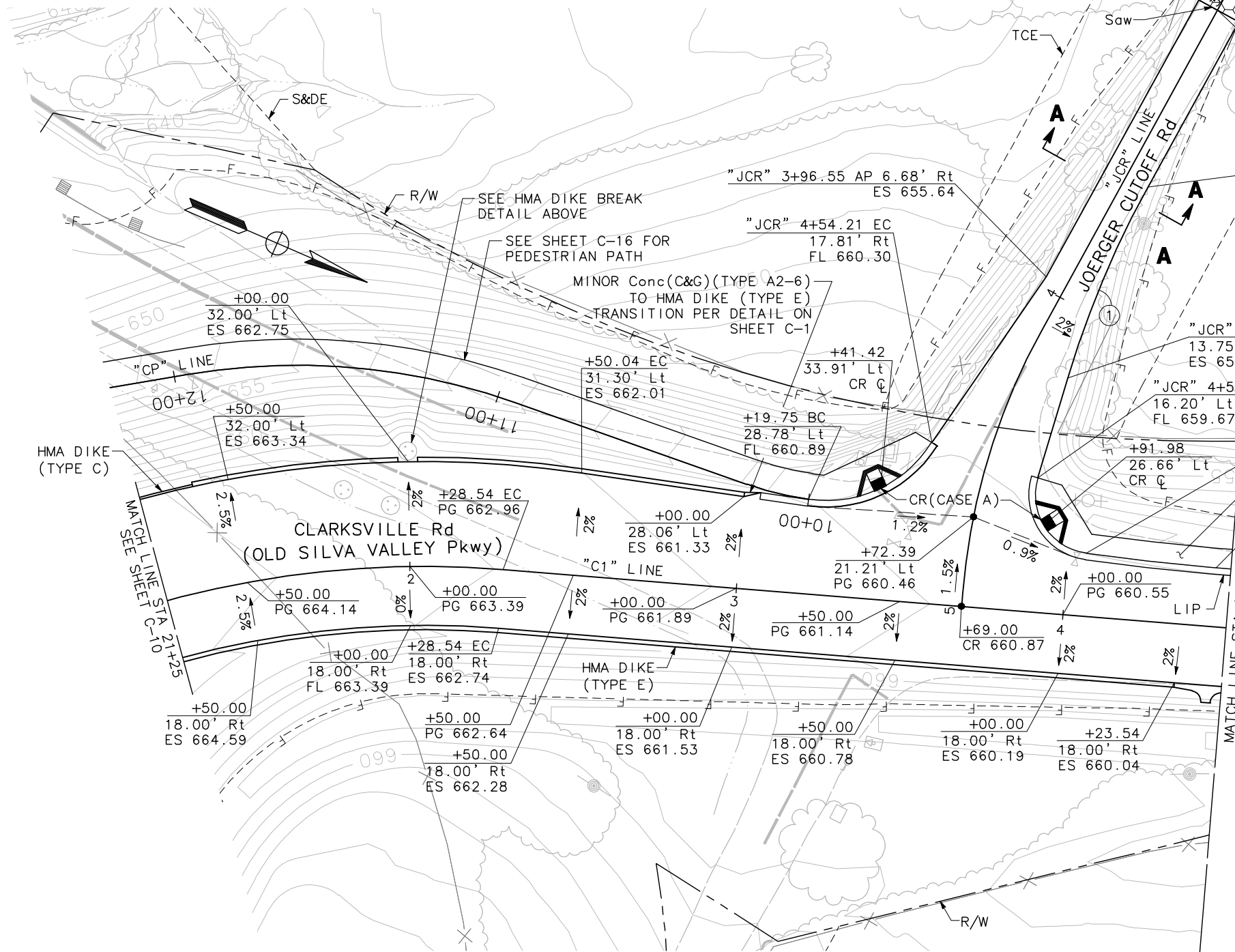
REVISOR	DATE	REVISION
JEFF NETTLETON		
DEREK W. MINNEMA		
ROBERT A. HIMES		

**NOTES:**

1. ALL STATION OFFSET CALLOUTS REFERENCE THE "C1" LINE UNLESS OTHERWISE NOTED.
2. SEE UTILITY SHEETS FOR ALL UTILITY WORK.
3. INSTALL CURB RAMP PER CALTRANS STANDARD PLAN 888A. MAXIMUM RAMP SLOPE SHALL BE 8.00%



**HMA DIKE BREAK DETAIL**  
NOT TO SCALE



Dist	COUNTY	ROUTE	POST MILES TOTAL PROJECT	SHEET No.	TOTAL SHEETS
03	ED	50	1.07/R2.40	54	367

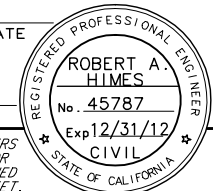
REGISTERED CIVIL ENGINEER DATE

OCTOBER 19, 2012  
PLANS APPROVAL DATE

THE STATE OF CALIFORNIA OR ITS OFFICERS OR AGENTS SHALL NOT BE RESPONSIBLE FOR THE ACCURACY OR COMPLETENESS OF SCANNED OR ELECTRONIC COPIES OF THIS PLAN SHEET.

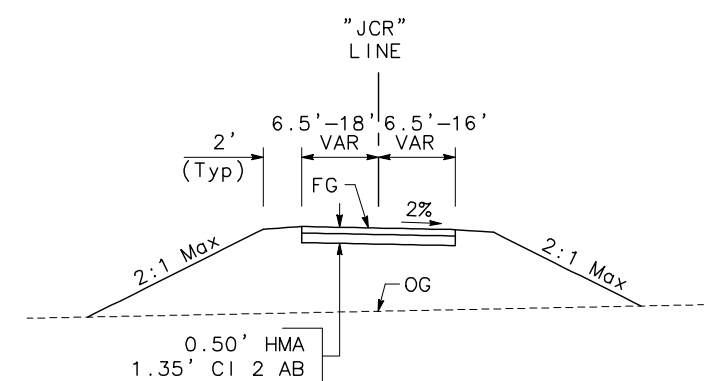
MARK THOMAS & CO. INC.  
7300 FOLSOM BLVD STE 203  
SACRAMENTO, CA 95826

COUNTY OF EL DORADO  
DEPT. OF TRANSPORTATION  
2850 FAIRLANE COURT  
PLACERVILLE, CA 95667



**CURVE DATA**

No.	R	Δ	T	L
①	300.00'	12°05'47"	31.79'	63.34'



**SECTION A-A**  
NOT TO SCALE

**CONSTRUCTION DETAILS**  
**GRADING**  
SCALE: 1"=20'

**C-17**

CAD USER: jnettleton  
 PLOT DATE: Oct 16, 2012-11:18:36pm  
 USERNAME => JNETTLETON  
 DGN FILE => svp\_C-09 THRU C-21.dwg  
 STATE OF CALIFORNIA - DEPARTMENT OF TRANSPORTATION  
 CONSULTANT FUNCTIONAL SUPERVISOR: ROBERT A. HIMES  
 CHECKED BY: DEREK W. MINNEMA  
 DESIGNED BY: JEFF NETTLETON  
 REVISIONS: (None)  
 REVISOR: (None)  
 DATE: (None)

COUNTY CIP: 71328  
 EA: 03-1E290  
 DATE PLOTTED => 7/14/2010  
 TIME PLOTTED => 9:29 AM

**NOTES:**

1. ALL STATION OFFSET CALLOUTS REFERENCE THE "C1" LINE UNLESS OTHERWISE NOTED.
2. SEE UTILITY PLANS FOR ALL UTILITY WORK.

Dist	COUNTY	ROUTE	POST MILES TOTAL PROJECT	SHEET No.	TOTAL SHEETS
03	ED	50	1.07/R2.40	55	367

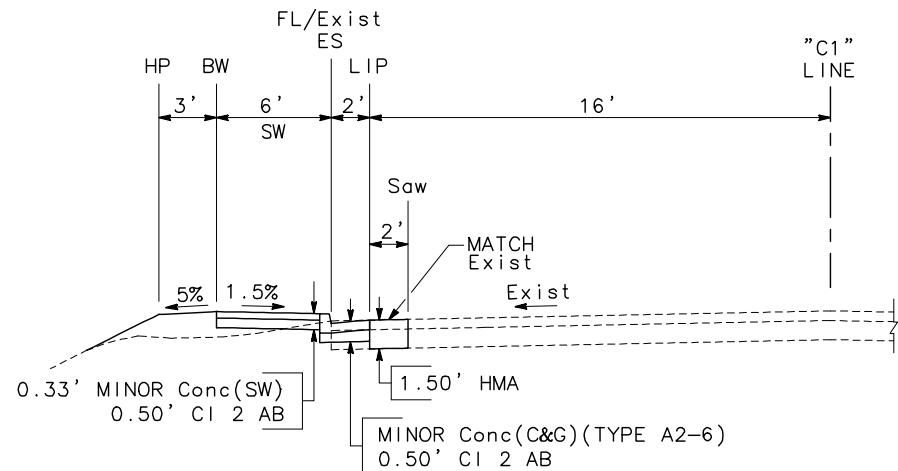
*Estaff*  
 REGISTERED CIVIL ENGINEER DATE  
 OCTOBER 19, 2012  
 PLANS APPROVAL DATE

ROBERT A. HIMES  
 No. 45787  
 Exp 12/31/12  
 CIVIL  
 STATE OF CALIFORNIA

MARK THOMAS & CO. INC.  
 7300 FOLSOM BLVD STE 203  
 SACRAMENTO, CA 95826

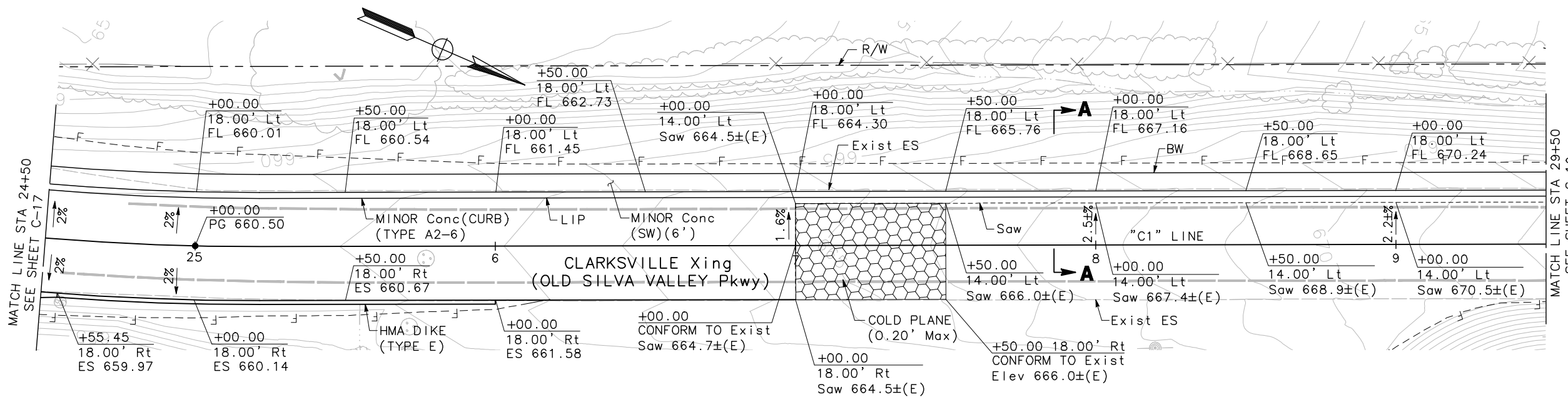
COUNTY OF EL DORADO  
 DEPT. OF TRANSPORTATION  
 2850 FAIRLANE COURT  
 PLACERVILLE, CA 95667

THE STATE OF CALIFORNIA OR ITS OFFICERS OR AGENTS SHALL NOT BE RESPONSIBLE FOR THE ACCURACY OR COMPLETENESS OF SCANNED OR ELECTRONIC COPIES OF THIS PLAN SHEET.



**SECTION A-A**

NOT TO SCALE



**CONSTRUCTION DETAILS**

**GRADING**

SCALE: 1"=20'

**C-18**

CAD USER: jnettleton

PLOT DATE: Oct 16, 2012-11:19:43pm

PATH: V:\West Valley LLC-55-0162B-Silva Valley Pkwy (C:\CADD\Drawings\NAME: svp\_C-09 THRU C-21

x

x

x

BORDER LAST REVISED 7/2/2010

**NOTES:**

1. ALL STATION OFFSET CALLOUTS REFERENCE THE "C1" LINE UNLESS OTHERWISE NOTED.
2. SEE UTILITY PLAN FOR ALL UTILITY WORK.
3. BARRIER CALLOUTS ARE TO BOTTOM FACE OF BARRIER.

Dist	COUNTY	ROUTE	POST MILES TOTAL PROJECT	SHEET No.	TOTAL SHEETS
03	ED	50	1.07/R2.40	56	367

*Estaff*  
 REGISTERED CIVIL ENGINEER DATE  
 OCTOBER 19, 2012  
 PLANS APPROVAL DATE

ROBERT A. HIMES  
 No. 45787  
 Exp 12/31/12  
 CIVIL  
 STATE OF CALIFORNIA

MARK THOMAS & CO. INC.  
 7300 FOLSOM BLVD STE 203  
 SACRAMENTO, CA 95826

COUNTY OF EL DORADO  
 DEPT. OF TRANSPORTATION  
 2850 FAIRLANE COURT  
 PLACERVILLE, CA 95667

THE STATE OF CALIFORNIA OR ITS OFFICERS OR AGENTS SHALL NOT BE RESPONSIBLE FOR THE ACCURACY OR COMPLETENESS OF SCANNED OR ELECTRONIC COPIES OF THIS PLAN SHEET.

REVISIED BY  
DATE REVISED

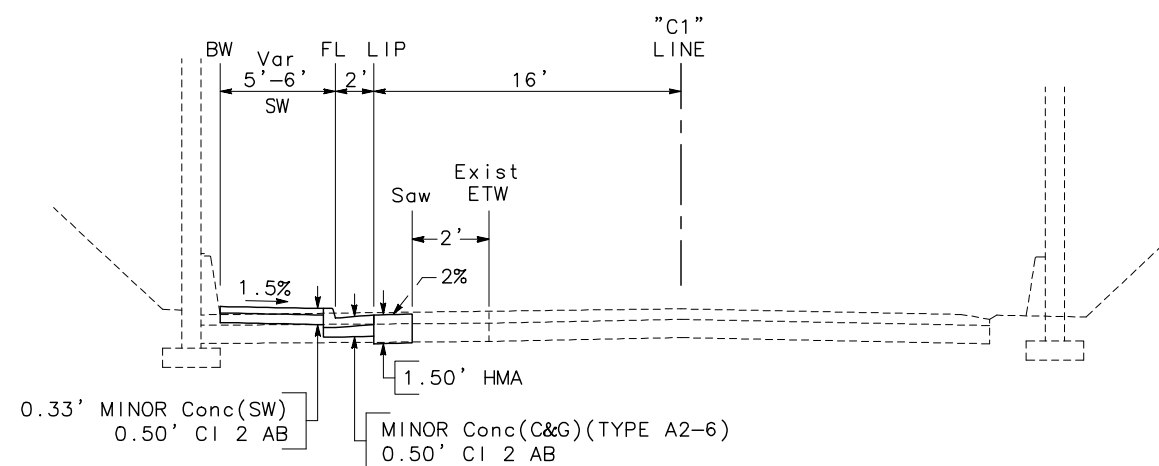
JEFF NETTLETON  
DEREK W. MINNEMA

CALCULATED-DESIGNED BY  
CHECKED BY

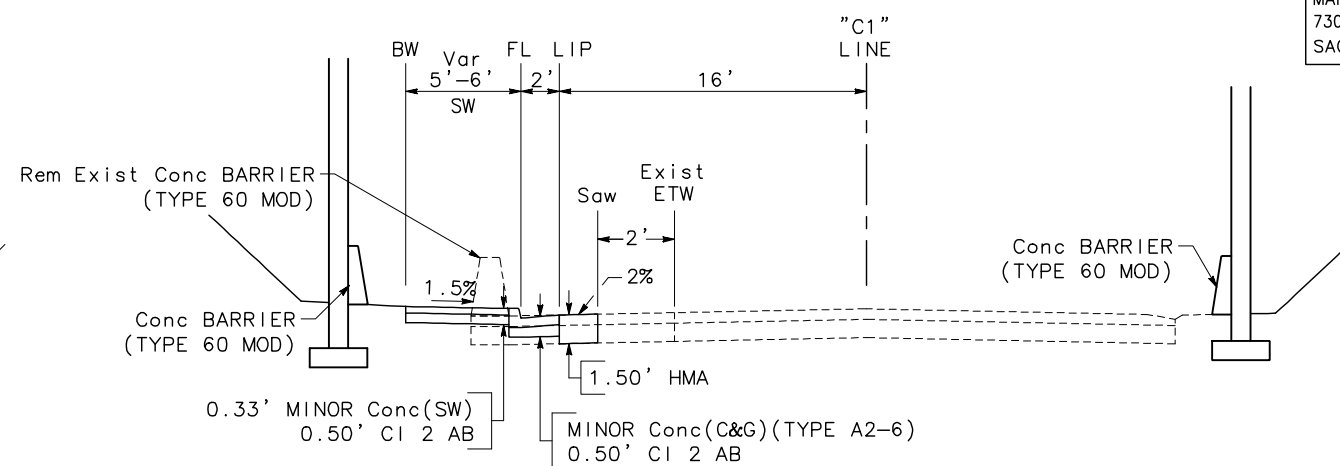
ROBERT A. HIMES

CONSULTANT FUNCTIONAL SUPERVISOR

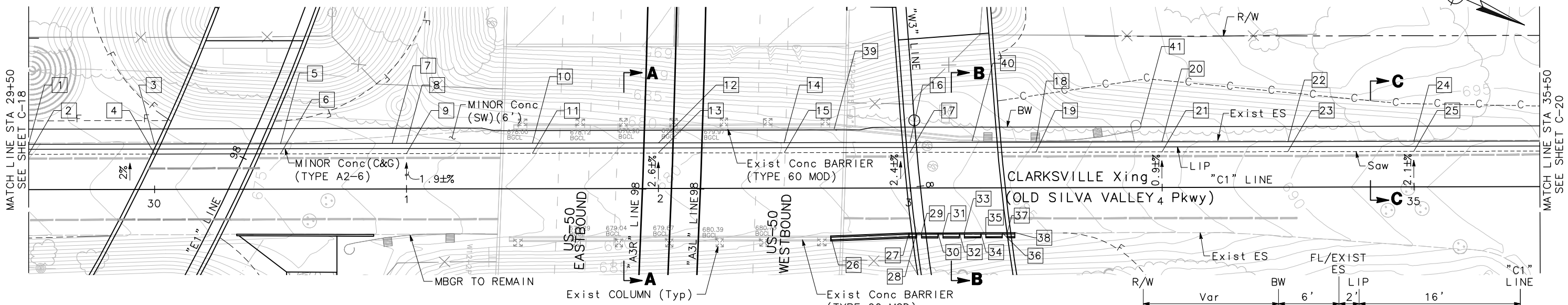
STATE OF CALIFORNIA - DEPARTMENT OF TRANSPORTATION  
**Caltrans**



**SECTION A-A**  
NOT TO SCALE

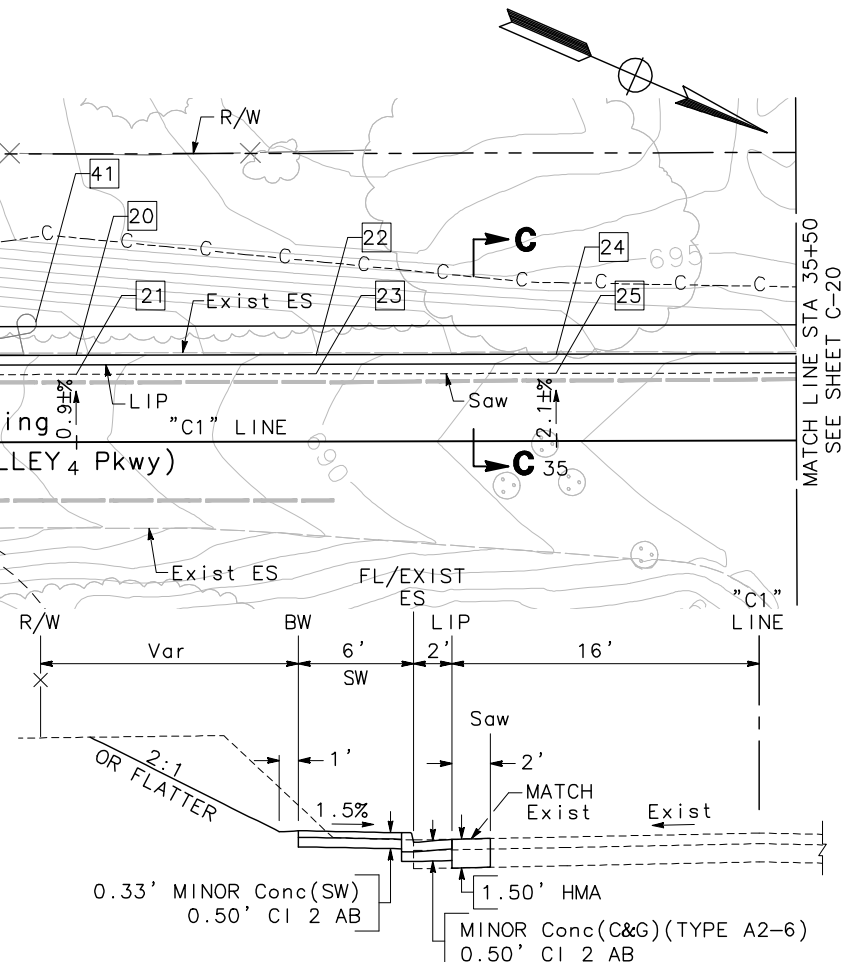


**SECTION B-B**  
NOT TO SCALE



1 +50.00 18.00' Lt FL 671.75	11 +50.00 14.00' Lt Saw 678.0±(E)	21 +00.00 14.00' Lt Saw 687.6±(E)
2 +50.00 14.00' Lt Saw 672.0±(E)	12 +00.00 18.00' Lt FL 679.33	22 +50.00 18.00' Lt FL 689.48
3 +00.00 18.00' Lt FL 673.25	13 +00.00 14.00' Lt Saw 679.5±(E)	23 +50.00 14.00' Lt Saw 689.7±(E)
4 +00.00 14.00' Lt Saw 673.5±(E)	14 +50.00 18.00' Lt FL 680.85	24 +00.00 18.00' Lt FL 691.33
5 +50.00 18.00' Lt FL 674.77	15 +50.00 14.00' Lt Saw 681.1±(E)	25 +00.00 14.00' Lt Saw 691.5±(E)
6 +50.00 14.00' Lt Saw 674.9±(E)	16 +00.00 18.00' Lt FL 682.72	26 +68.34 19.00' Rt BEG Conc BARRIER (TYPE 60 MOD)
7 +94.33 18.00' Lt FL 676.22	17 +00.00 14.00' Lt Saw 682.90±(E)	27 +99.50 17.86' Rt ANGLE POINT
8 +00.00 18.00' Lt FL 676.27	18 +50.00 18.00' Lt FL 684.90	28 +02.50 17.86' Rt END Conc BARRIER (TYPE 60 MOD)
9 +00.00 14.00' Lt Saw 676.5±(E)	19 +50.00 14.00' Lt Saw 685.10±(E)	29 +04.50 17.86' Rt END Conc BARRIER (TYPE 60 MOD)
10 +50.00 18.00' Lt FL 677.74	20 +00.00 18.00' Lt FL 687.36	30 +11.00 17.86' Rt END Conc BARRIER (TYPE 60 MOD)

29 +04.50 17.86' Rt END Conc BARRIER (TYPE 60 MOD)	36 +36.50 17.86' Rt END Conc BARRIER (TYPE 60 MOD)
30 +11.00 17.86' Rt END Conc BARRIER (TYPE 60 MOD)	37 +38.50 17.86' Rt END Conc BARRIER (TYPE 60 MOD)
31 +13.00 17.86' Rt END Conc BARRIER (TYPE 60 MOD)	38 +17.85 17.86' Rt END Conc BARRIER (TYPE 60 MOD)
32 +19.50 17.86' Rt END Conc BARRIER (TYPE 60 MOD)	39 +69.90 23.50' Lt BEG Rem Conc BARRIER (TYPE 60 MOD)
33 +21.50 17.86' Rt END Conc BARRIER (TYPE 60 MOD)	40 +24.60 18.50' Lt END Rem Conc BARRIER (TYPE 60 MOD)
34 +28.00 17.86' Rt END Conc BARRIER (TYPE 60 MOD)	41 +91.60 25.00' Lt END Rem MBGR
35 +30.00 17.86' Rt END Conc BARRIER (TYPE 60 MOD)	

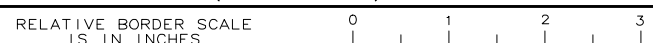


**SECTION C-C**  
NOT TO SCALE

**CONSTRUCTION DETAILS  
GRADING  
SCALE: 1"=20'**

**C-19**

USERNAME => JNETTLETON  
DGN FILE => svp\_C-09 THRU C-21.dwg



UNIT 0259

PROJECT NUMBER & PHASE 13-0677 D 56 of 68

EA: 03-1E290

COUNTY CIP: 71328

DATE PLOTTED => 7/14/2010  
TIME PLOTTED => 9:29 AM



Dist	COUNTY	ROUTE	POST MILES TOTAL PROJECT	SHEET No.	TOTAL SHEETS
03	ED	50	1.07/R2.40	57	367

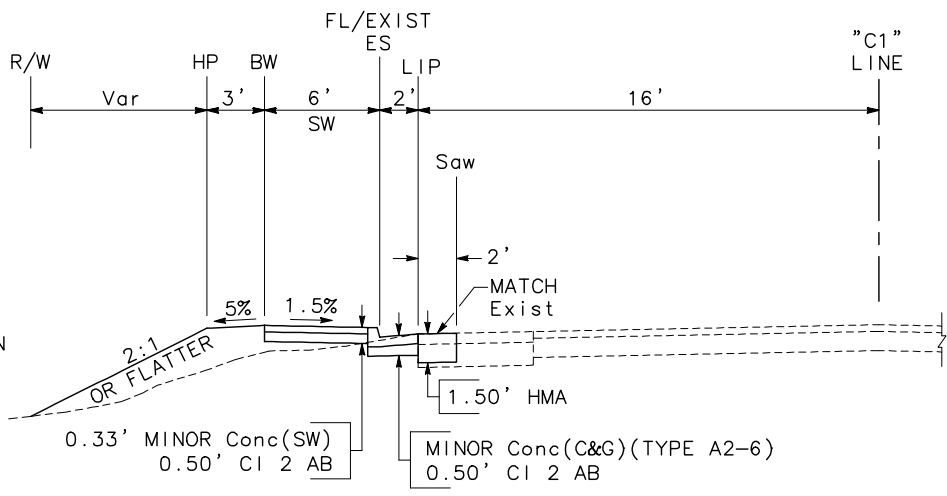
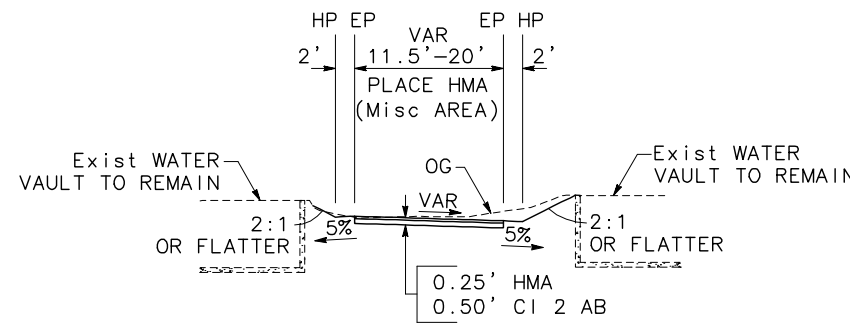
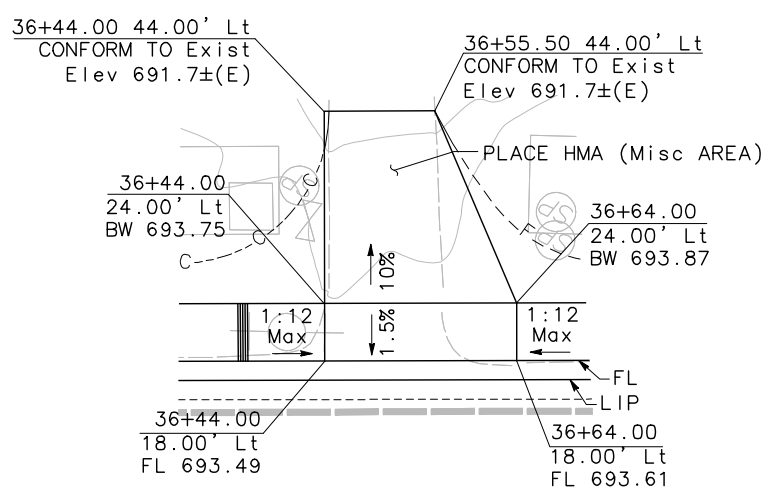
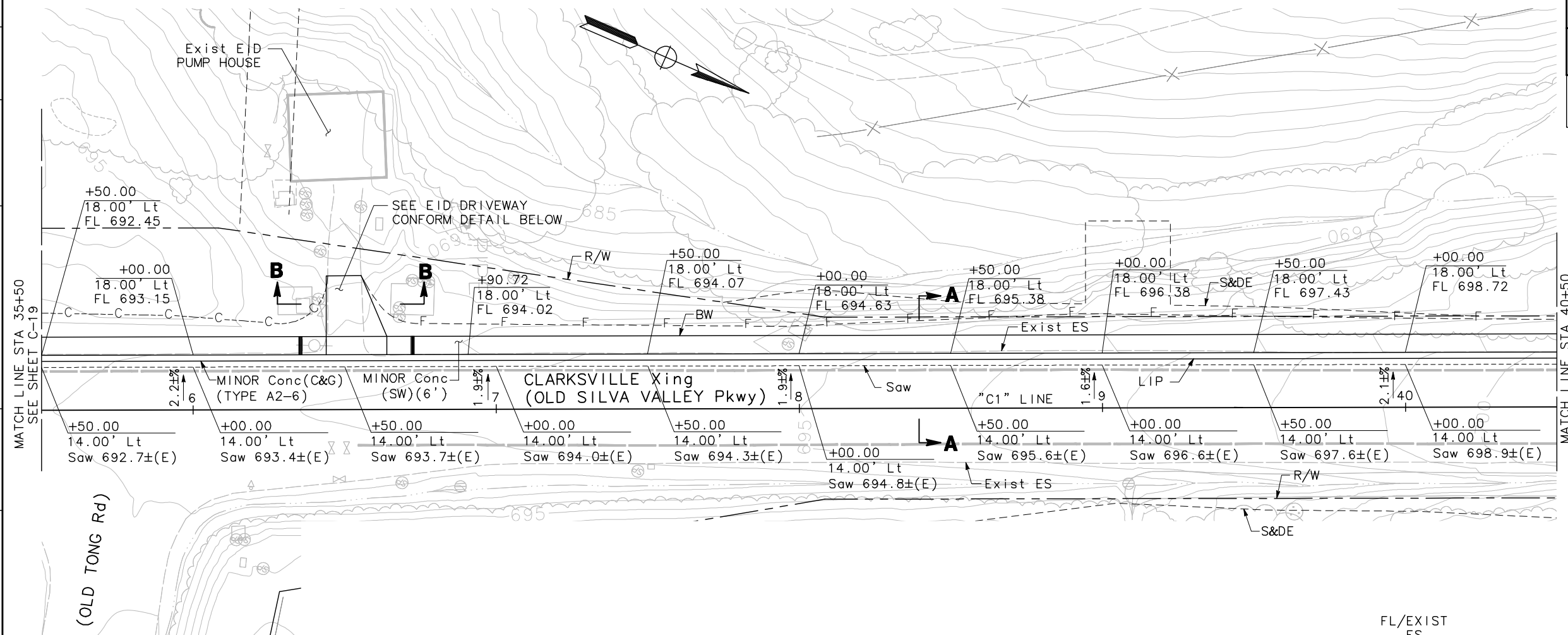
REGISTERED CIVIL ENGINEER DATE  
 OCTOBER 19, 2012  
 PLANS APPROVAL DATE

THE STATE OF CALIFORNIA OR ITS OFFICERS OR AGENTS SHALL NOT BE RESPONSIBLE FOR THE ACCURACY OR COMPLETENESS OF SCANNED OR ELECTRONIC COPIES OF THIS PLAN SHEET.

MARK THOMAS & CO. INC.  
 7300 FOLSOM BLVD STE 203  
 SACRAMENTO, CA 95826

COUNTY OF EL DORADO  
 DEPT. OF TRANSPORTATION  
 2850 FAIRLANE COURT  
 PLACERVILLE, CA 95667

- NOTES:**
- ALL STATION OFFSET CALLOUTS REFERENCE THE "C1" LINE UNLESS OTHERWISE NOTED.
  - SEE UTILITY PLAN FOR ALL UTILITY WORK.



**CONSTRUCTION DETAILS**  
**GRADING**  
SCALE: 1"=20'  
**C-20**

THIS PLAN IS ACCURATE FOR CONSTRUCTION DETAILS ONLY

CAD USER: jnettleton  
 PLOT DATE: Oct 16, 2012-11:19:47pm  
 PLOT THRU C-21  
 NAME: svp\_C-09 THRU C-21  
 DEPARTMENT OF TRANSPORTATION  
 STATE OF CALIFORNIA  
 USERNAME => JNETTLETON  
 DGN FILE => svp\_C-09 THRU C-21.dwg

REVISION	DATE	BY	REASON

**NOTES:**

ALL STATION OFFSET CALLOUTS REFERENCE THE "C1" LINE UNLESS OTHERWISE NOTED.

Dist	COUNTY	ROUTE	POST MILES TOTAL PROJECT	SHEET No.	TOTAL SHEETS
03	ED	50	1.07/R2.40	58	367

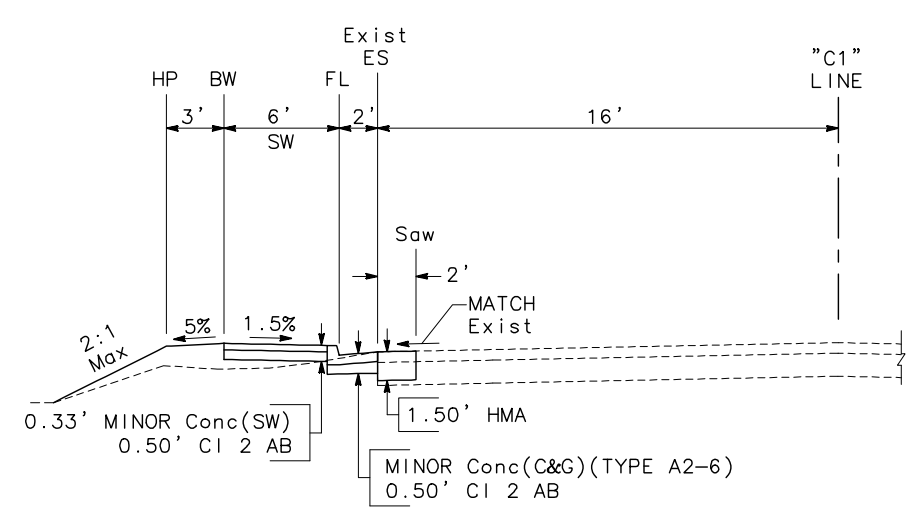
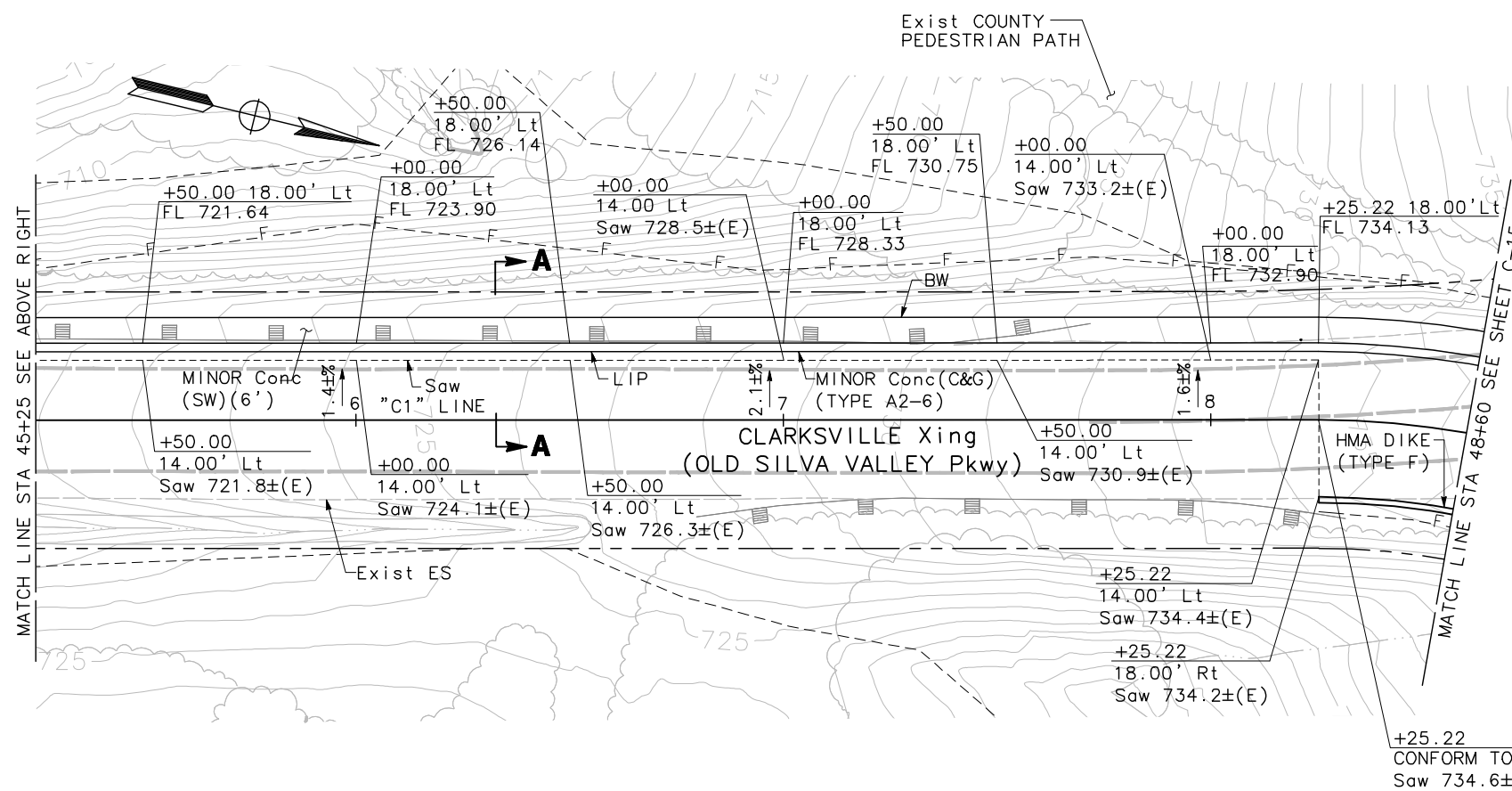
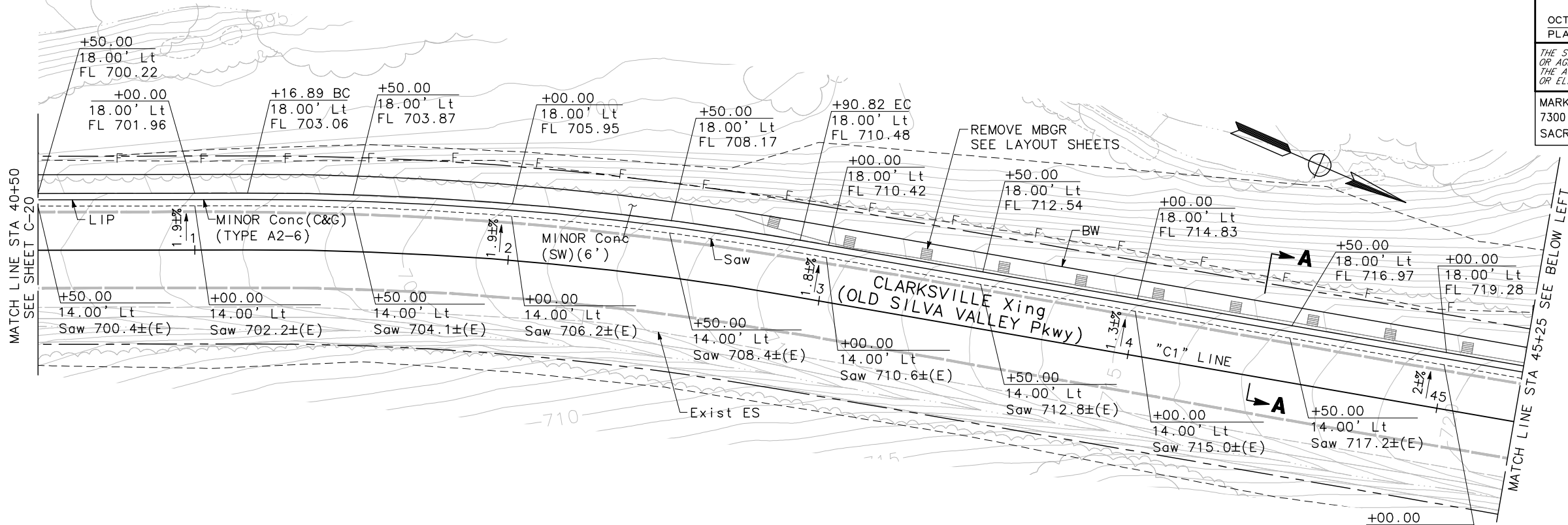
*Estaff*  
 REGISTERED CIVIL ENGINEER DATE  
 OCTOBER 19, 2012  
 PLANS APPROVAL DATE

ROBERT A. HIMES  
 No. 45787  
 Exp 12/31/12  
 CIVIL  
 STATE OF CALIFORNIA

MARK THOMAS & CO. INC.  
 7300 FOLSOM BLVD STE 203  
 SACRAMENTO, CA 95826

COUNTY OF EL DORADO  
 DEPT. OF TRANSPORTATION  
 2850 FAIRLANE COURT  
 PLACERVILLE, CA 95667

THE STATE OF CALIFORNIA OR ITS OFFICERS OR AGENTS SHALL NOT BE RESPONSIBLE FOR THE ACCURACY OR COMPLETENESS OF SCANNED OR ELECTRONIC COPIES OF THIS PLAN SHEET.



**SECTION A-A**  
 NOT TO SCALE  
**CONSTRUCTION DETAILS**  
**GRADING**  
 SCALE: 1"=20'  
**C-21**

THIS PLAN IS ACCURATE FOR CONSTRUCTION DETAILS ONLY



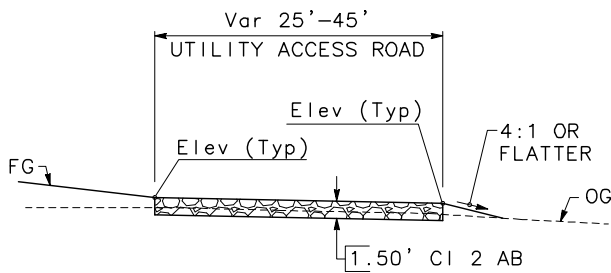


**NOTES:**

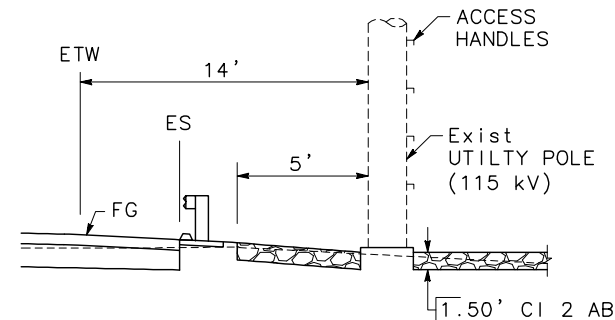
1. ALL STATION OFFSET CALLOUTS REFERENCE THE "SVP" LINE UNLESS OTHERWISE NOTED.
2. ALL CURVE INFORMATION REFERENCE EDGE OF UTILITY ACCESS ROAD.
3. CONTROL LINE IS SHOWN FOR REFERENCE ONLY. ACTUAL CONTROL IS FARTHER FROM ES.

**CURVE DATA**

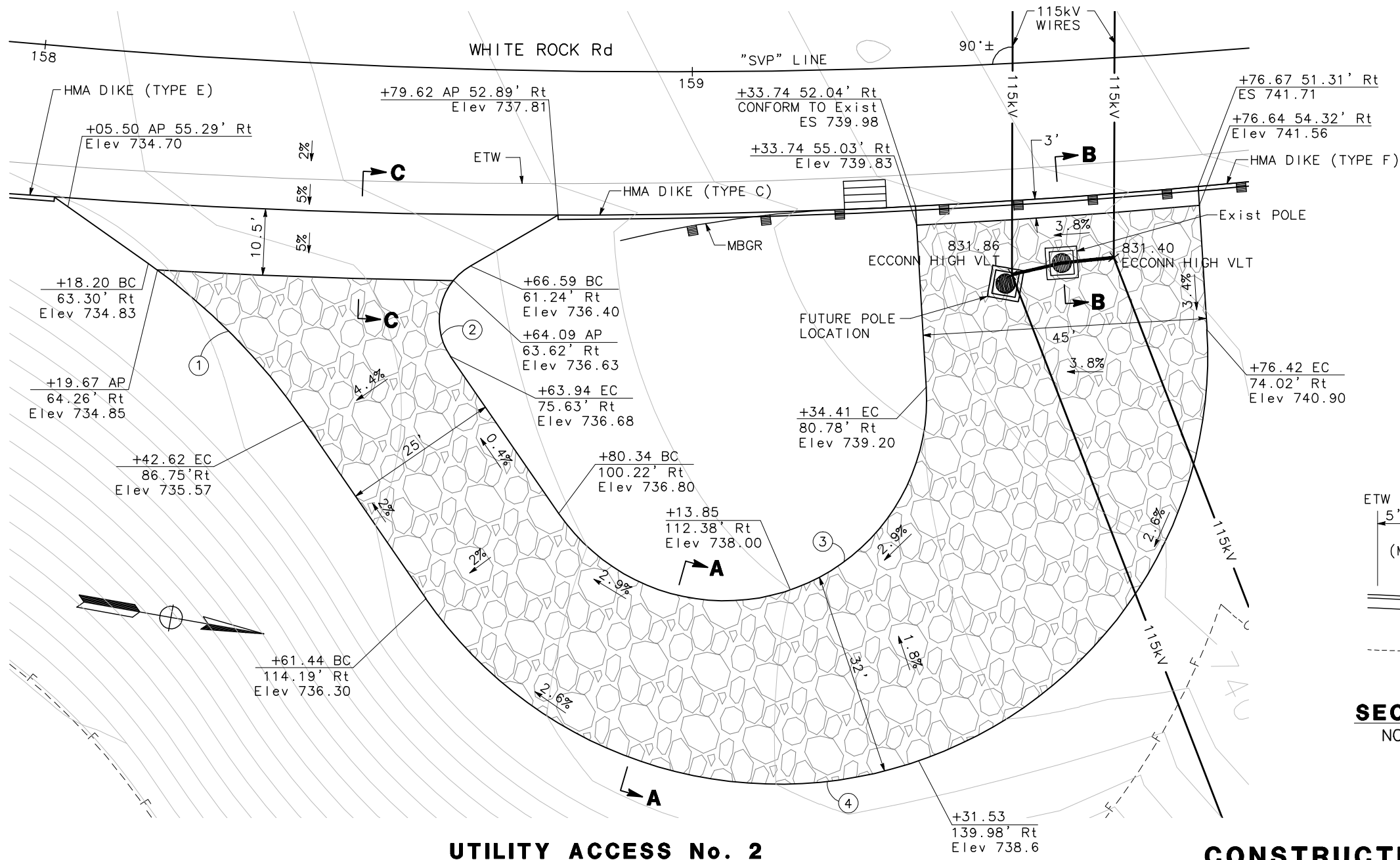
No.	R	Δ	T	L
①	100.00'	20°11'55"	17.81'	35.25'
②	10.00'	94°22'13"	10.79'	16.47'
③	32.00'	148°52'01"	114.87'	83.14'
④	68.00'	148°59'17"	245.10'	176.82'



**SECTION A-A**  
NO SCALE



**SECTION B-B**  
NO SCALE

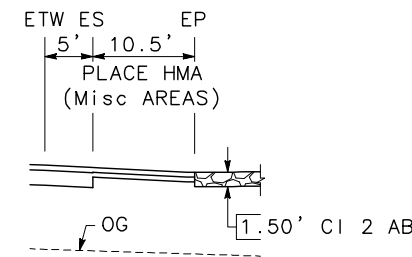


**UTILITY ACCESS No. 2**

**CONSTRUCTION DETAILS**

SCALE: 1"=10'

**SECTION A-A**  
NO SCALE



Dist	COUNTY	ROUTE	POST MILES TOTAL PROJECT	SHEET No.	TOTAL SHEETS
03	ED	50	1.07/R2.40	60	367

REGISTERED CIVIL ENGINEER DATE

OCTOBER 19, 2012  
PLANS APPROVAL DATE

THE STATE OF CALIFORNIA OR ITS OFFICERS OR AGENTS SHALL NOT BE RESPONSIBLE FOR THE ACCURACY OR COMPLETENESS OF SCANNED OR ELECTRONIC COPIES OF THIS PLAN SHEET.

MARK THOMAS & CO. INC.  
7300 FOLSOM BLVD STE 203  
SACRAMENTO, CA 95826

COUNTY OF EL DORADO  
DEPT. OF TRANSPORTATION  
2850 FAIRLANE COURT  
PLACERVILLE, CA 95667

ROBERT A. HIMES  
No. 45787  
Exp 12/31/12  
CIVIL  
STATE OF CALIFORNIA

REVISOR: JEFF NETTLETON, DEREK W. MINNEMA, ROBERT A. HIMES

DESIGNER: JEFF NETTLETON, DEREK W. MINNEMA

CONSULTANT: DEPARTMENT OF TRANSPORTATION

STATE OF CALIFORNIA - DEPARTMENT OF TRANSPORTATION

THIS PLAN IS ACCURATE FOR CONSTRUCTION DETAILS ONLY.



UNIT 0259

PROJECT NUMBER & PHASE 13-0677 D 60 of 68

**C-23**

BORDER LAST REVISED 7/2/2010

USERNAME => ARANDOLPH  
DGN FILE => svp\_C-22 THRU C-23.dwg

DATE PLOTTED => 7/14/2010  
TIME PLOTTED => 9:29 AM

EA: 03-1E290

COUNTY CIP: 71328

CAD USER: jnettleton

PLOT DATE: Oct 16, 2012-11:25:04pm

NAME: svp\_C-22 THRU C-23

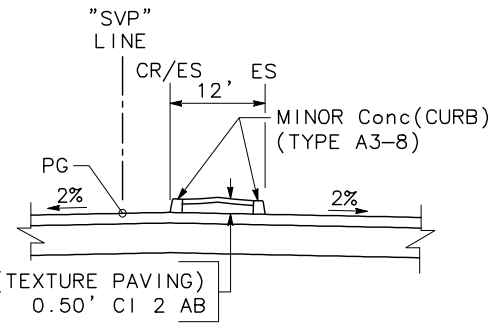
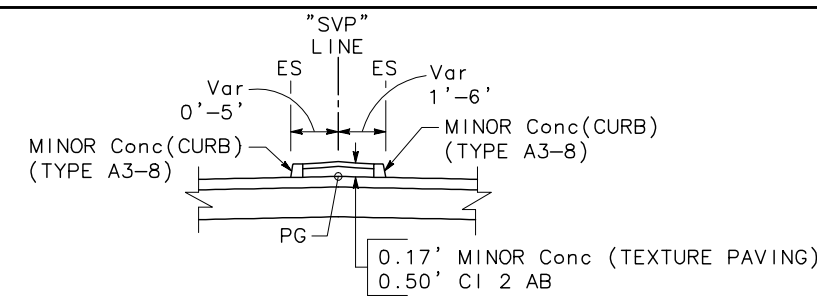
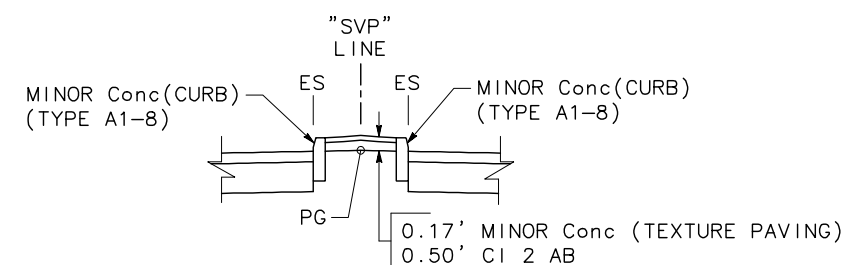
FILE: svp\_C-22 THRU C-23

STATE OF CALIFORNIA - DEPARTMENT OF TRANSPORTATION

P:\West Valley LLC-55-0162B-Silva Valley Pkwy (C:\CADD\Drawings\NAME: svp\_C-24 THRU C-26 PLOT DATE: Oct 17, 2012-09:32:15am CAD USER: jnettleton

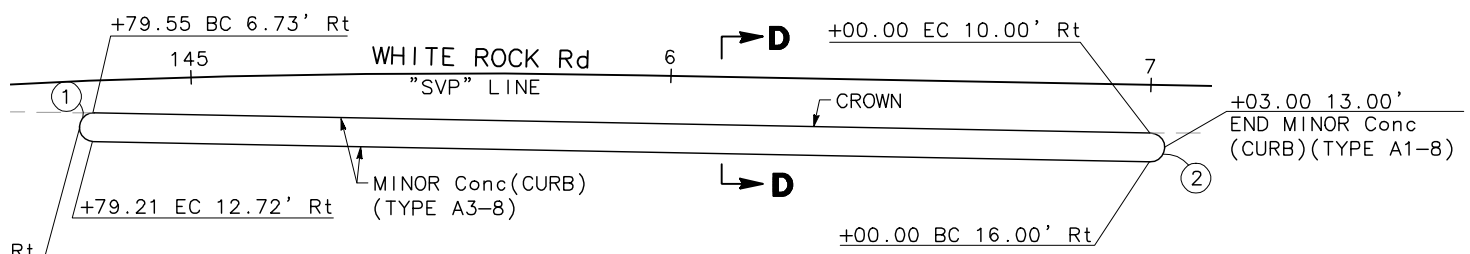
**NOTES:**

1. STATION/OFFSET ARE TO "SVP" LINE UNLESS OTHERWISE NOTED.
2. INSTALL MINOR Conc(CURB)(TYPE M1-8) PER DETAIL ON SHEET C-3.

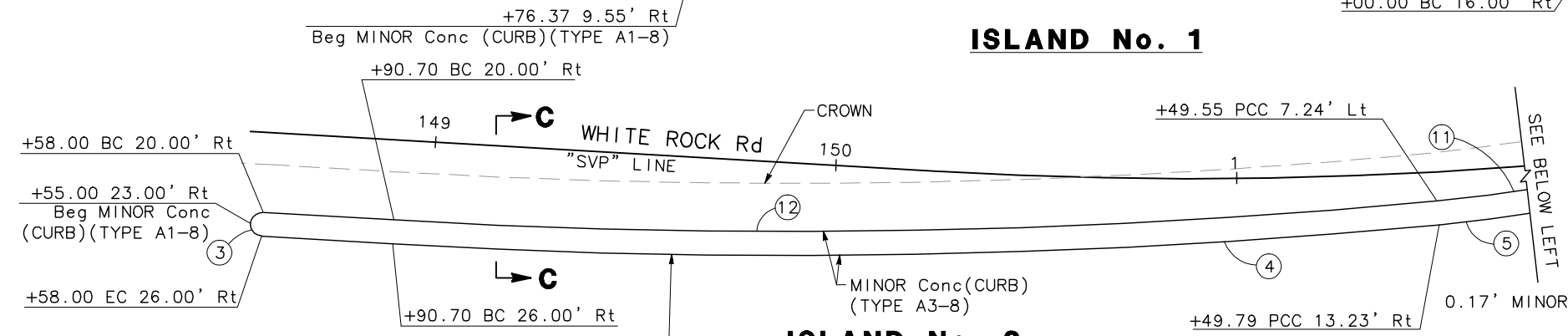


**SECTION B-B**  
NO SCALE

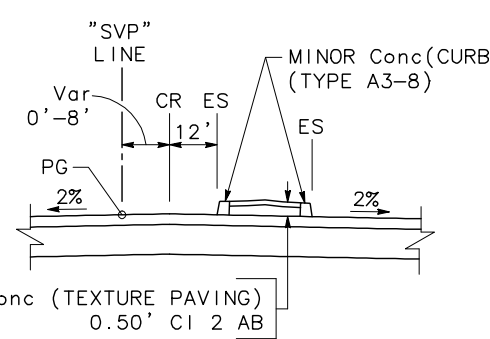
**SECTION D-D**  
NO SCALE



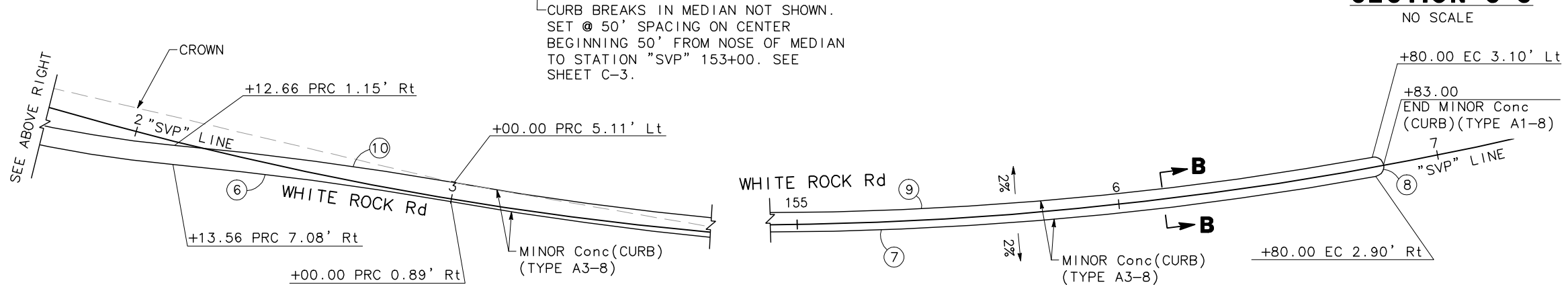
**ISLAND No. 1**



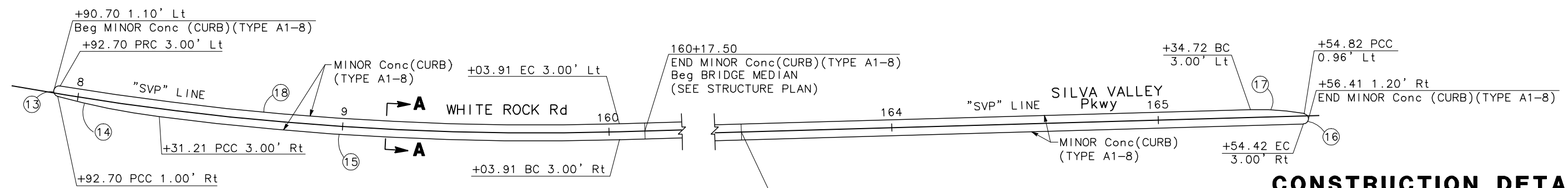
**ISLAND No. 2**



**SECTION C-C**  
NO SCALE



**ISLAND No. 2**



**ISLAND No. 3**

Dist	COUNTY	ROUTE	POST MILES TOTAL PROJECT	SHEET No.	TOTAL SHEETS
03	ED	50	1.07/R2.40	61	367

REGISTERED CIVIL ENGINEER DATE  
 OCTOBER 19, 2012  
 PLANS APPROVAL DATE

COUNTY OF EL DORADO  
 DEPT. OF TRANSPORTATION  
 2850 FAIRLANE COURT  
 PLACERVILLE, CA 95667

CURVE DATA				
No.	R	Δ	T	L
ISLAND No. 1				
①	3.00'	180°00'00"	-	9.42'
②	3.00'	180°00'00"	-	9.42'
ISLAND No. 2				
③	3.00'	180°00'00"	-	9.42'
④	1710.00'	8°45'23"	130.92'	261.34'
⑤	381.00'	9°44'00"	32.44'	64.72'
⑥	1069.00'	4°39'32"	43.49'	86.92'
⑦	1081.00'	22°10'56"	192.38'	380.78'
⑧	3.00'	180°00'00"	-	9.42'
⑨	1075.00'	20°10'56"	191.31'	378.66'
⑩	1075.00'	4°39'32"	43.73'	87.41'
⑪	375.00'	9°44'00"	31.93'	63.71'
⑫	1074.00'	8°45'23"	130.46'	260.42'
ISLAND No. 3				
⑬	2.00'	174°03'13"	38.51'	6.08'
⑭	280.00'	7°57'07"	19.46'	38.86'
⑮	1103.00'	8°59'44"	86.77'	173.17'
⑯	2.00'	168°24'17"	19.70'	5.88'
⑰	100.00'	11°35'43"	10.15'	20.24'
⑱	1097.00'	11°00'04"	105.64'	210.63'

**CONSTRUCTION DETAILS**  
**ISLAND LAYOUT**  
SCALE: 1"=20'

**C-24**



PATH: V:\West Valley LLC-55-0162B-Silva Valley Pkwy (C:\CADD\Drawings\NAME: svp\_C-24 THRU C-26 PLOT DATE: Oct 17, 2012-09:32:24am CAD USER: jnettleton

STATE OF CALIFORNIA - DEPARTMENT OF TRANSPORTATION	CONSULTANT FUNCTIONAL SUPERVISOR	REVISOR	DATE
<b>Stantec</b>	ROBERT A. HIMES	JEFF NETTLETON	
	CHECKED BY	DEREK W. MINNEMA	
	DESIGNED BY		

Dist	COUNTY	ROUTE	POST MILES TOTAL PROJECT	SHEET No.	TOTAL SHEETS
03	ED	50	1.07/R2.40	63	367

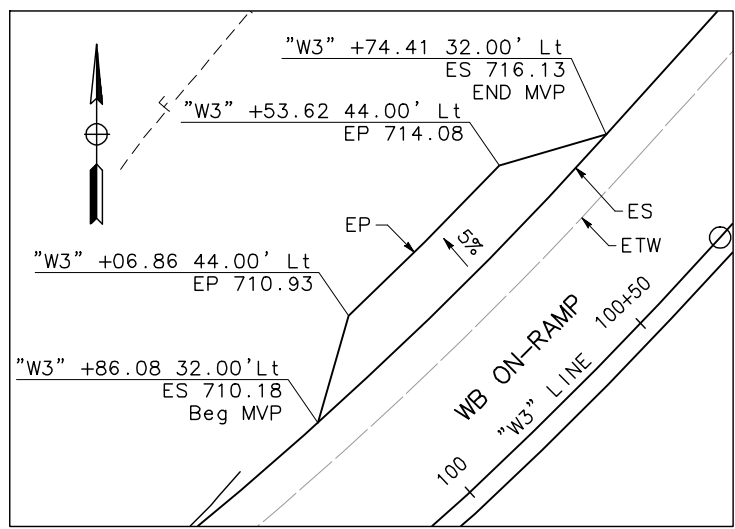
**Estaff**  
REGISTERED CIVIL ENGINEER DATE  
OCTOBER 19, 2012  
PLANS APPROVAL DATE

ROBERT A. HIMES  
No. 45787  
Exp 12/31/12  
CIVIL  
STATE OF CALIFORNIA

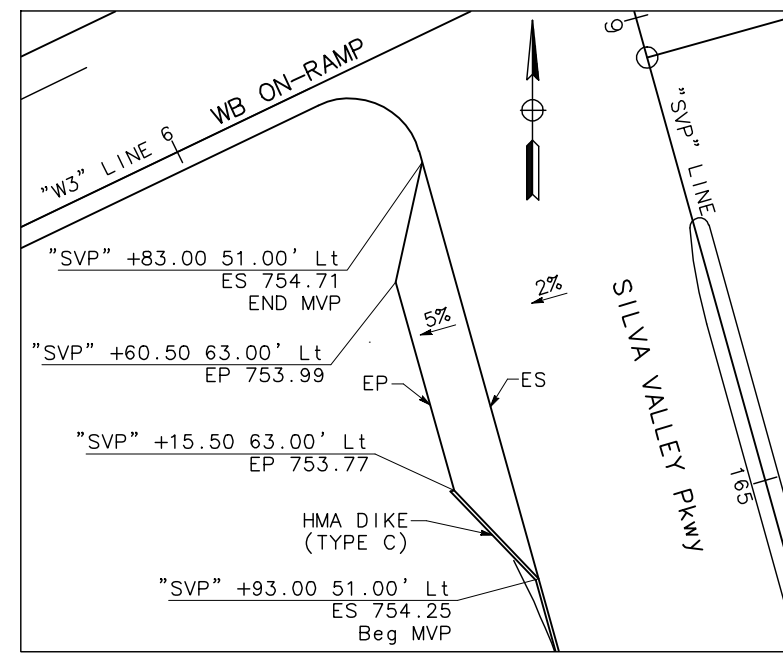
MARK THOMAS & CO. INC.  
7300 FOLSOM BLVD STE 203  
SACRAMENTO, CA 95826

COUNTY OF EL DORADO  
DEPT. OF TRANSPORTATION  
2850 FAIRLANE COURT  
PLACERVILLE, CA 95667

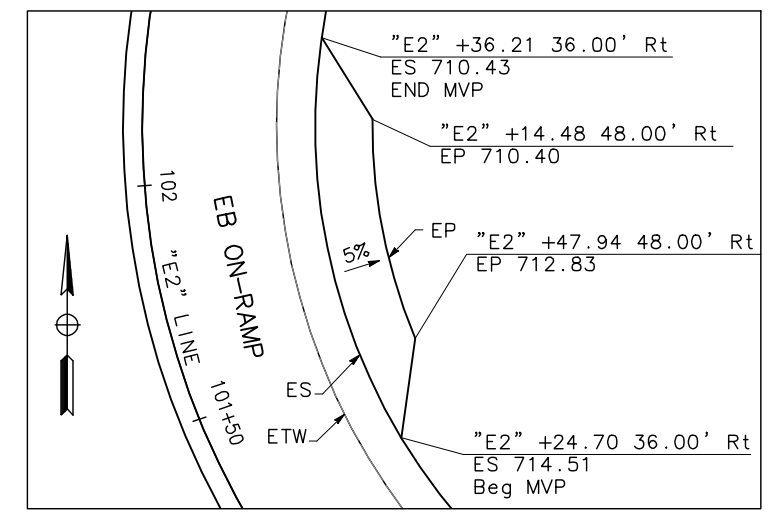
THE STATE OF CALIFORNIA OR ITS OFFICERS OR AGENTS SHALL NOT BE RESPONSIBLE FOR THE ACCURACY OR COMPLETENESS OF SCANNED OR ELECTRONIC COPIES OF THIS PLAN SHEET.



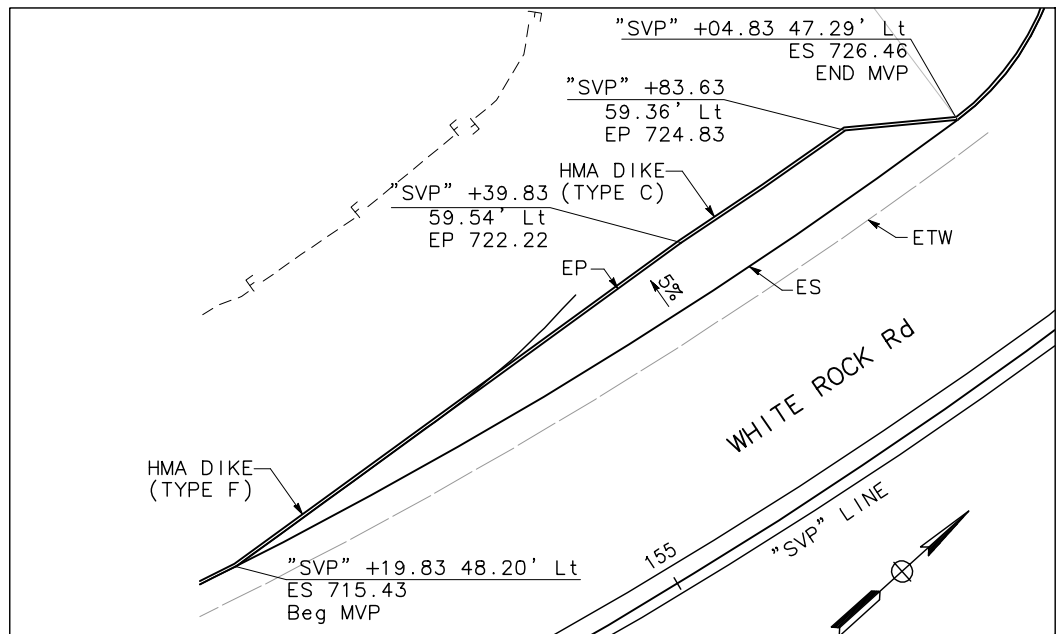
**MVP 1**



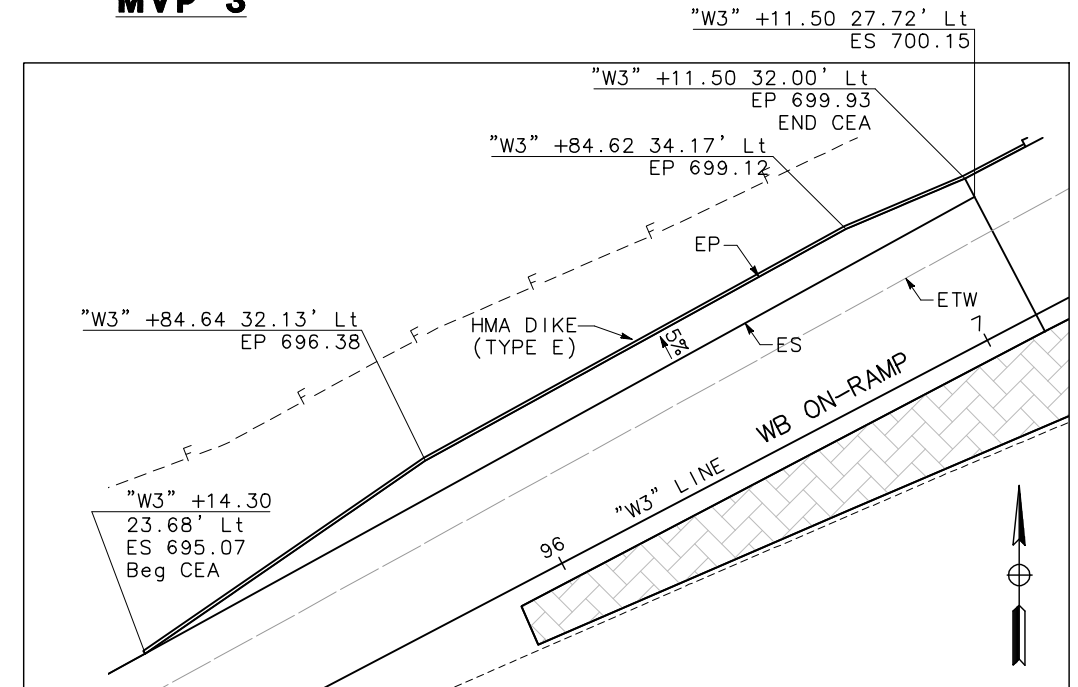
**MVP 2**



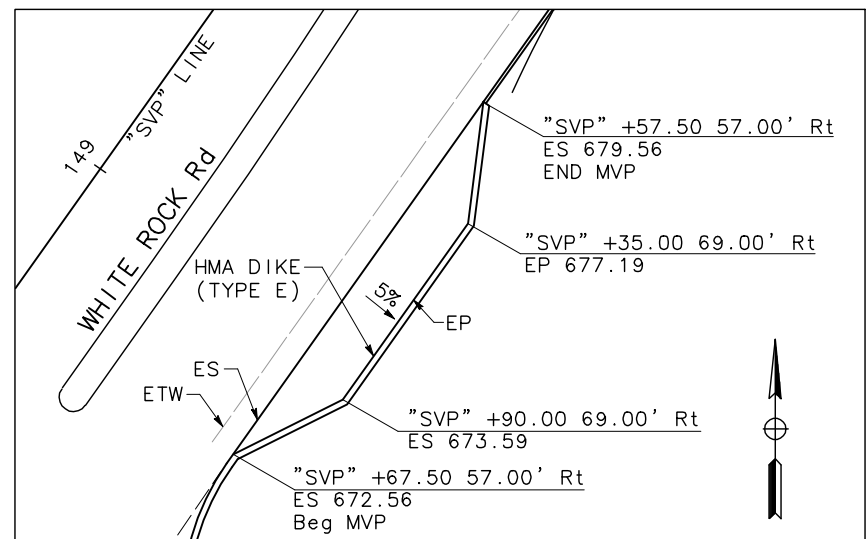
**MVP 3**



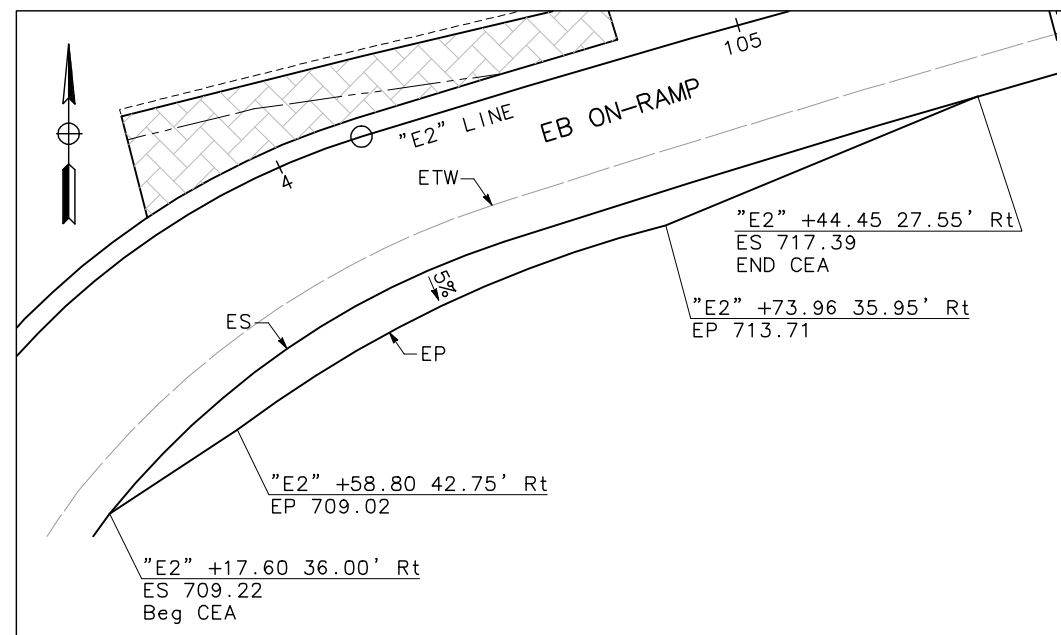
**MVP 4**



**CEA 1**



**MVP 5**



**CEA 2**

**CONSTRUCTION DETAILS**  
**MVP DETAILS**  
SCALE: 1"=20'

**C-26**

EA: 03-1E290 COUNTY CIP: 71328 DATE PLOTTED => 7/14/2010 TIME PLOTTED => 9:29 AM

PATH: V:\West Valley LLC-55-0162B-Silva Valley Pkwy (C:\CADD\Drawings\NAME: svp\_C-27 THRU C-30 PLOT DATE: Oct 17, 2012-07:12:46am CAD USER: jnettleton

STATE OF CALIFORNIA	DEPARTMENT OF TRANSPORTATION	CONSULTANT FUNCTIONAL SUPERVISOR	CALCULATED/DESIGNED BY	REVISOR
<b>Caltrans</b>		ROBERT A. HIMES	JEFF NETTLETON	JEFF NETTLETON
			CHECKED BY	DATE REVISED
			DEREK W. MINNEMA	

**NOTES:**

- UNLESS OTHERWISE SPECIFIED, ALL STATION/OFFSET CALLOUTS ARE TO RIGHT OF WAY LINE. SEE CALTRANS STANDARD PLAN A85 FOR FENCE PLACEMENT.
- FENCE LAYOUT WILL ACCOMMODATE PROPOSED MONUMENT PLACEMENT. SEE CALTRANS STANDARD PLAN A85.
- CONTRACTOR SHALL PROVIDE CALTRANS A MINIMUM OF TWO (2) WEEKS NOTICE PRIOR TO COMMENCING ANY WORK THAT COULD DAMAGE OR DESTROY ANY SURVEY MONUMENTS, WHETHER SHOWN ON THESE PLANS AS "TO PRESERVE," "TO REMOVE/PERPETUATE" OR "NOT SHOWN ON THESE PLANS."
- IF A MONUMENT SHOWN AS "TO REMOVE/PERPETUATE" IS DAMAGED BY CONTRACTOR'S OPERATIONS WITHOUT PROPER NOTICE TO EL DORADO COUNTY, MONUMENT SHALL BE REPLACED AT CONTRACTOR'S COST.
- IF A MONUMENT SHOWN AS "TO PRESERVE" OR NOT SHOWN ON THESE PLANS IS DAMAGED BY CONTRACTOR'S OPERATIONS WITHOUT PROPER NOTICE TO EL DORADO COUNTY, MONUMENT SHALL BE REPLACED AT CONTRACTOR'S COST.
- CONTRACTOR SHALL COMPLY WITH BUSINESS AND PROFESSIONS CODE SECTION 8771 (b) REGARDING REFERENCING, PRESERVING AND RECONSTRUCTING MONUMENTS SHOWN AS "TO PRESERVE" OR NOT SHOWN ON THESE PLANS.
- INSTALL FENCE AROUND HEADWALLS AND AT BRIDGES PER CALTRANS STANDARD PLAN A85B.

**LEGEND: (SHEETS C-27 THROUGH C-30)**

- MONUMENT - PROVIDED AND SET BY EL DORADO COUNTY
- SURVEY MONUMENT (TYPE D) (EXACT LOCATION PROVIDED BY EL DORADO COUNTY)
- EXISTING MONUMENT TO REMOVE/PERPETUATE
- EXISTING MONUMENT TO PRESERVE IN PLACE
- Rem FENCE

Dist	COUNTY	ROUTE	POST MILES TOTAL PROJECT	SHEET No.	TOTAL SHEETS
03	ED	50	1.07/R2.40	64	367

REGISTERED CIVIL ENGINEER DATE

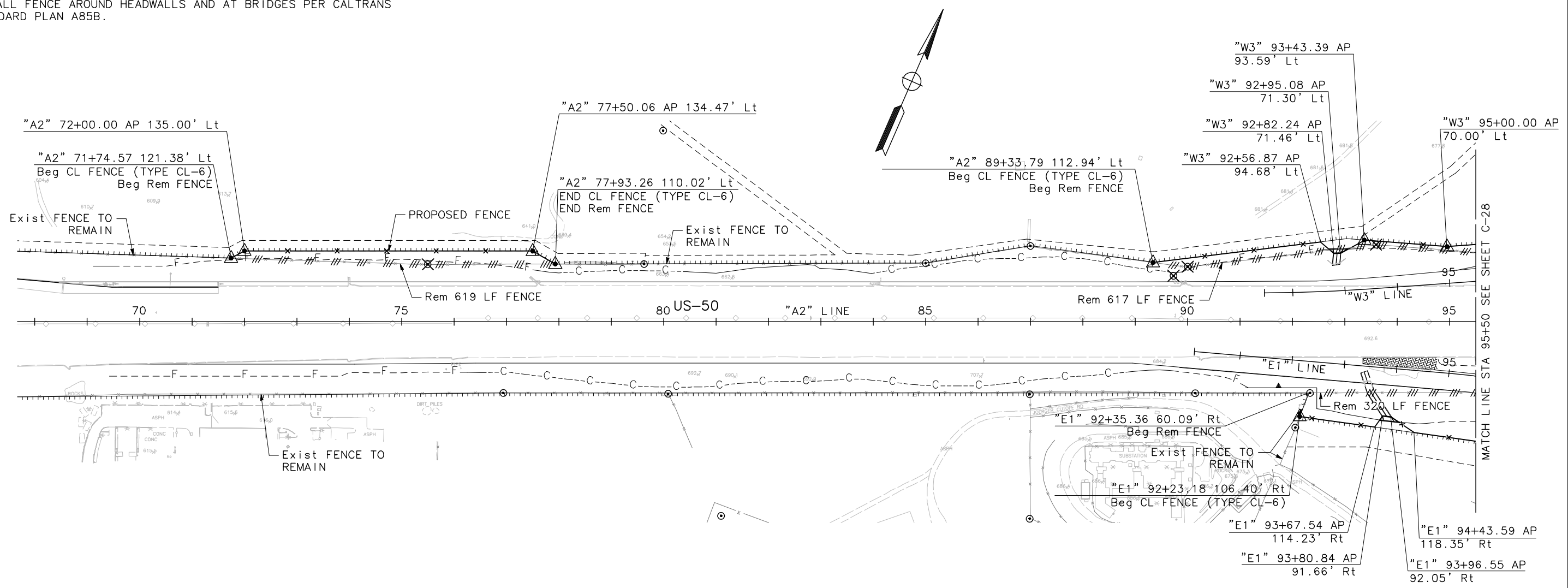
OCTOBER 19, 2012  
PLANS APPROVAL DATE

ROBERT A. HIMES  
No. 45787  
Exp 12/31/12  
CIVIL  
STATE OF CALIFORNIA

THE STATE OF CALIFORNIA OR ITS OFFICERS OR AGENTS SHALL NOT BE RESPONSIBLE FOR THE ACCURACY OR COMPLETENESS OF SCANNED OR ELECTRONIC COPIES OF THIS PLAN SHEET.

MARK THOMAS & CO. INC.  
7300 FOLSOM BLVD STE 203  
SACRAMENTO, CA 95826

COUNTY OF EL DORADO  
DEPT. OF TRANSPORTATION  
2850 FAIRLANE COURT  
PLACERVILLE, CA 95667



**CONSTRUCTION DETAILS**  
**FENCE & MONUMENT PLAN**

SCALE: 1"=100'

**C-27**

THIS PLAN ACCURATE FOR FENCE AND MONUMENT LAYOUT ONLY





Dist	COUNTY	ROUTE	POST MILES TOTAL PROJECT	SHEET No.	TOTAL SHEETS
03	ED	50	1.07/R2.40	66	367

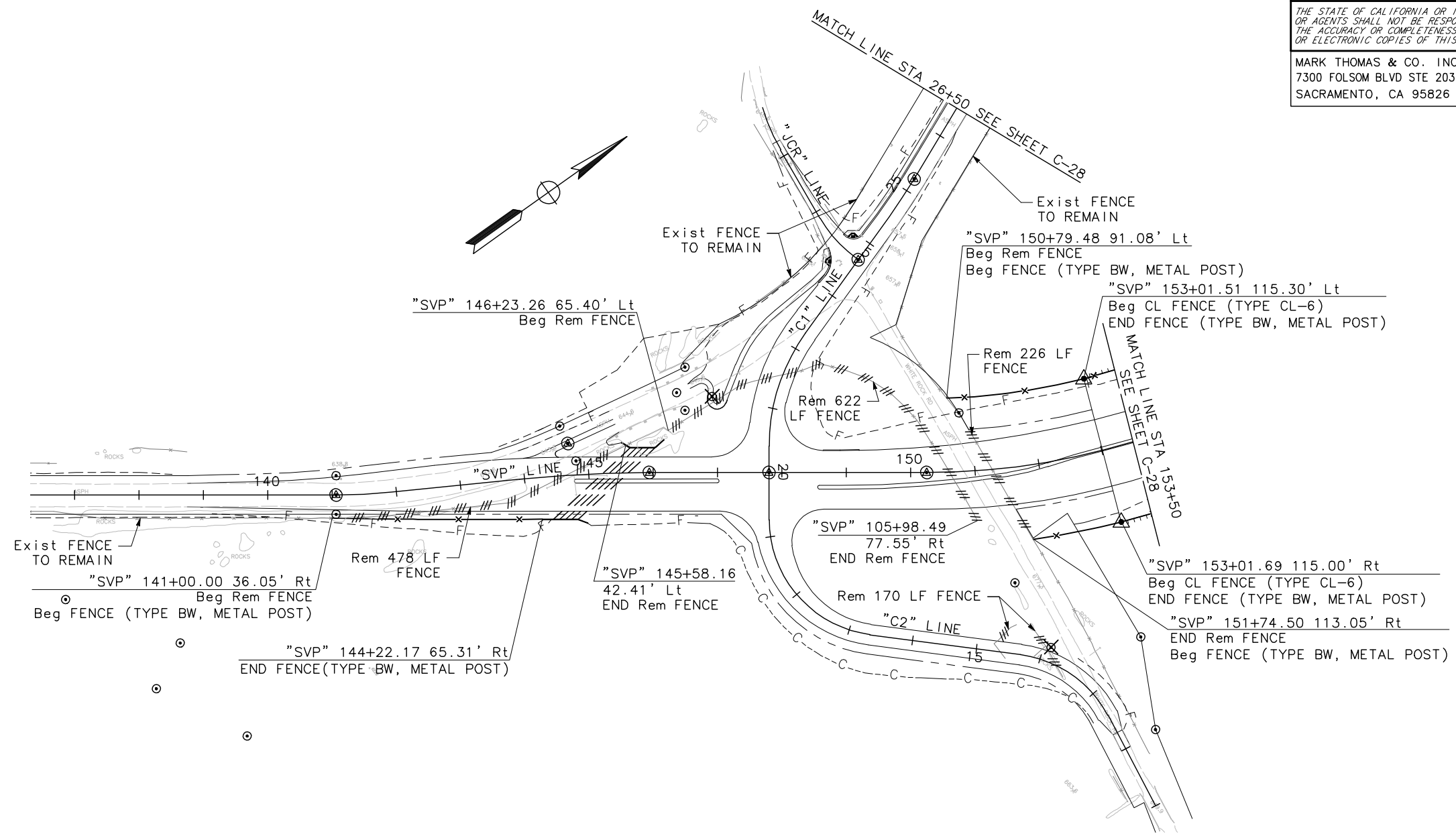
*Estaff*  
REGISTERED CIVIL ENGINEER DATE  
OCTOBER 19, 2012  
PLANS APPROVAL DATE

REGISTERED PROFESSIONAL ENGINEER  
ROBERT A. HIMES  
No. 45787  
Exp 12/31/12  
CIVIL  
STATE OF CALIFORNIA

THE STATE OF CALIFORNIA OR ITS OFFICERS OR AGENTS SHALL NOT BE RESPONSIBLE FOR THE ACCURACY OR COMPLETENESS OF SCANNED OR ELECTRONIC COPIES OF THIS PLAN SHEET.

MARK THOMAS & CO. INC.  
7300 FOLSOM BLVD STE 203  
SACRAMENTO, CA 95826

COUNTY OF EL DORADO  
DEPT. OF TRANSPORTATION  
2850 FAIRLANE COURT  
PLACERVILLE, CA 95667



STATE OF CALIFORNIA - DEPARTMENT OF TRANSPORTATION	CONSULTANT	FUNCTIONAL SUPERVISOR	CALCULATED-DESIGNED BY	REVISOR	DATE
<b>Caltrans</b>	ROBERT A. HIMES	JEFF NETTLETON	DEREK W. MINNEMA		

# CONSTRUCTION DETAILS

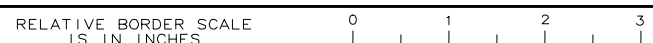
## FENCE & MONUMENT PLAN

SCALE: 1"=100'

**C-29**

THIS PLAN ACCURATE FOR FENCE AND MONUMENT LAYOUT ONLY

FOR NOTES, LEGEND AND ABBREVIATIONS, SEE C-27



UNIT 0259

PROJECT NUMBER & PHASE 13-0677 D 66 of 68

USERNAME => JNETTLETON  
DGN FILE => svp\_C-27 THRU C-30.dwg

BORDER LAST REVISED 7/2/2010

LAST REVISION DATE PLOTTED => 7/14/2010  
00-00-00 TIME PLOTTED => 9:29 AM

EA: 03-1E290

COUNTY CIP: 71328

PATH: V:\West Valley LLC-55-0162B-Siiva Valley Pkwy (C:\CADD\Drawings\NAME: svp\_C-27 THRU C-30

CAD USER: jnettleton

PLOT DATE: Oct 17, 2012-07:16:16am

Dist	COUNTY	ROUTE	POST MILES TOTAL PROJECT	SHEET No.	TOTAL SHEETS
03	ED	50	1.07/R2.40	67	367

*Estaff*  
REGISTERED CIVIL ENGINEER DATE  
OCTOBER 19, 2012  
PLANS APPROVAL DATE

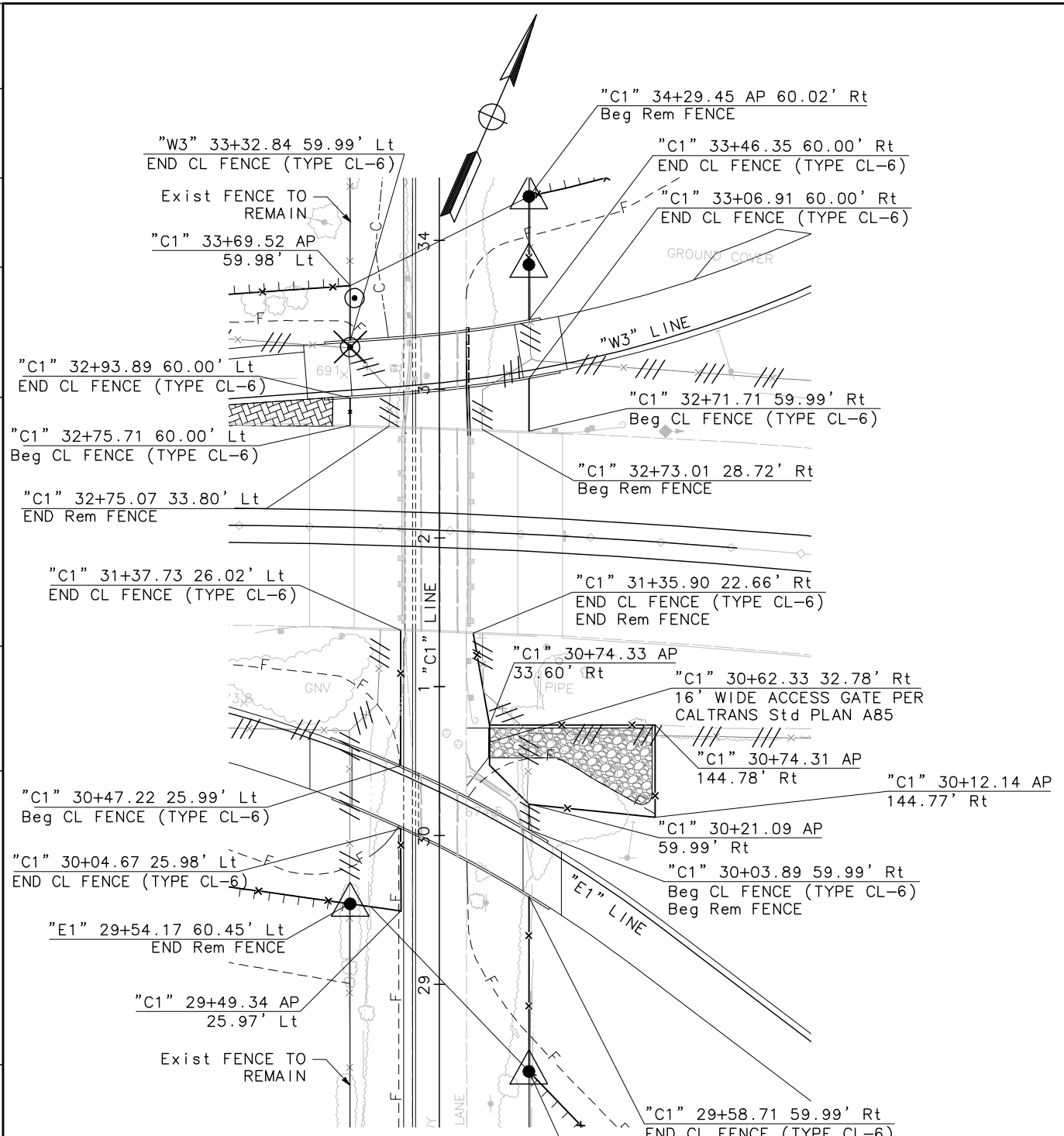
ROBERT A. HIMES  
No. 45787  
Exp 12/31/12  
CIVIL  
STATE OF CALIFORNIA

MARK THOMAS & CO. INC.  
7300 FOLSOM BLVD STE 203  
SACRAMENTO, CA 95826

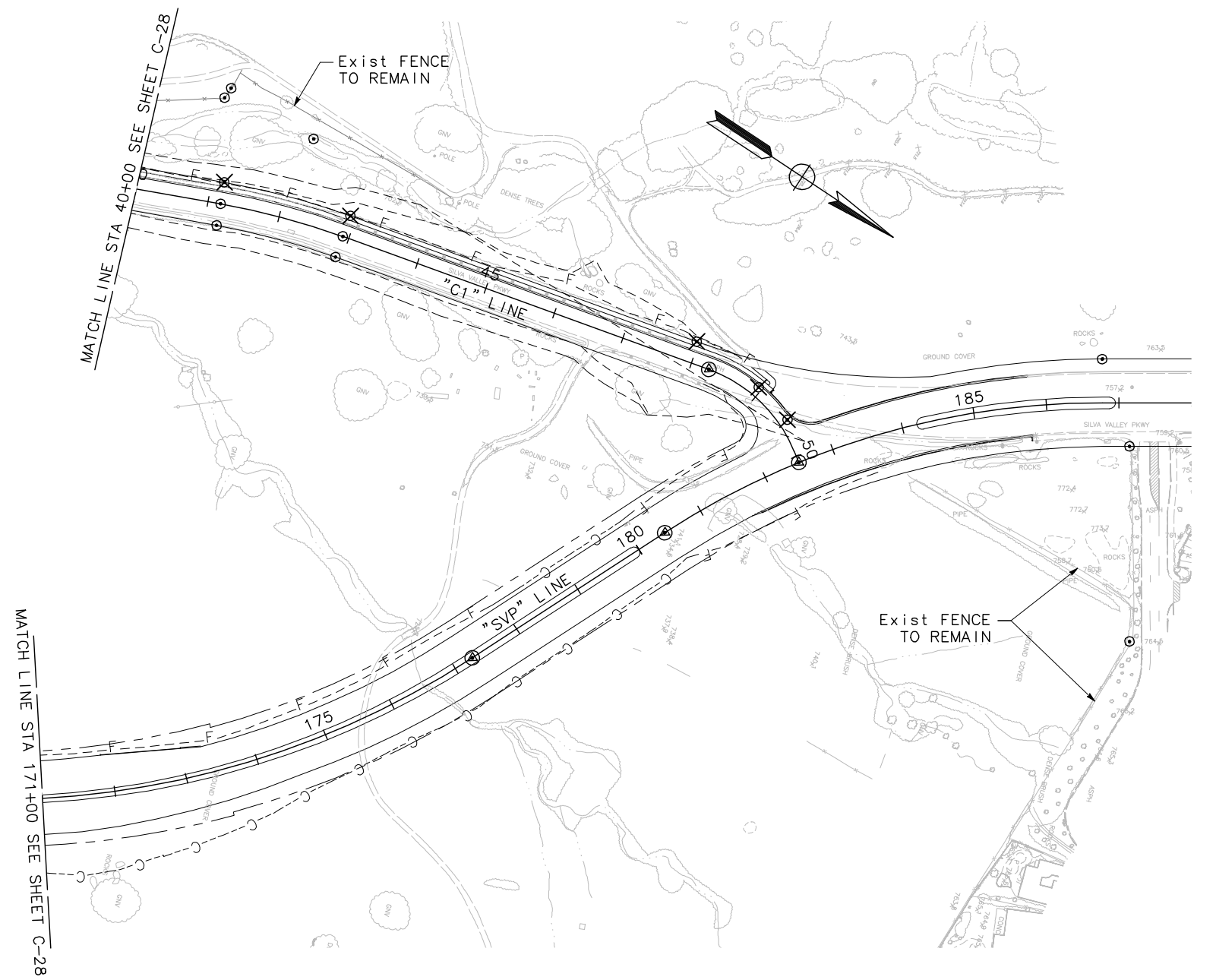
COUNTY OF EL DORADO  
DEPT. OF TRANSPORTATION  
2850 FAIRLANE COURT  
PLACERVILLE, CA 95667

THE STATE OF CALIFORNIA OR ITS OFFICERS OR AGENTS SHALL NOT BE RESPONSIBLE FOR THE ACCURACY OR COMPLETENESS OF SCANNED OR ELECTRONIC COPIES OF THIS PLAN SHEET.

CAD USER: jnettleton  
PLOT DATE: Oct 17, 2012-07:16:26am  
PATH: V:\West Valley LLC-55-0162B-Silva Valley Pkwy (C:\CADD\Drawings\NAME: svp\_C-27 THRU C-30  
STATE OF CALIFORNIA - DEPARTMENT OF TRANSPORTATION  
Caltrans



**DETAIL A**  
SCALE: 1"=50'

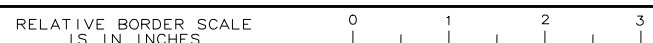


**CONSTRUCTION DETAILS**  
**FENCE & MONUMENT PLAN**  
SCALE: 1"=100'

**C-30**

THIS PLAN ACCURATE FOR FENCE AND MONUMENT LAYOUT ONLY

FOR NOTES, LEGEND AND ABBREVIATIONS, SEE C-27



UNIT 0259



PROJECT NUMBER & PHASE 13-0677 D 670168

BORDER LAST REVISED 7/2/2010

USERNAME => JNETTLETON  
DGN FILE => svp\_C-27 THRU C-30.dwg

7/14/2010 9:29 AM  
CIP: 71328  
EA: 03-1E290  
DATE PLOTTED =>  
TIME PLOTTED =>

STATE OF CALIFORNIA - DEPARTMENT OF TRANSPORTATION  
**Caltrans**  
 CONSULTANT FUNCTIONAL SUPERVISOR: ROBERT A. HIMES  
 CHECKED BY: JONY T.JI  
 DESIGNED BY: DEREK W. MINNEMA  
 REVISED BY: DATE REVISIONS

**LEGEND:**  
 TREE & CANOPY REMOVAL  
 TREE & CANOPY TO REMAIN

**TREE REMOVAL DATA**

No.	APPROXIMATE LOCATION	TOTAL
①	"E1" 93+58 80' RT	1
②	"E1" 93+65 17' RT	8
③	"W3" 91+50 63' LT	1
④	"W3" 92+85 74' LT	12
⑤	"E2" 99+65 59' RT	1
⑥	"E2" 102+90 31' RT	2
⑦	"E2" 103+66 51' RT	2
⑧	"E2" 102+95 122' RT	1
⑨	"E2" 104+98 104' RT	1
⑩	"E2" 108+13 53' RT	1

Dist	COUNTY	ROUTE	POST MILES TOTAL PROJECT	SHEET No.	TOTAL SHEETS
03	ED	50	1.07/R2.40	68	367

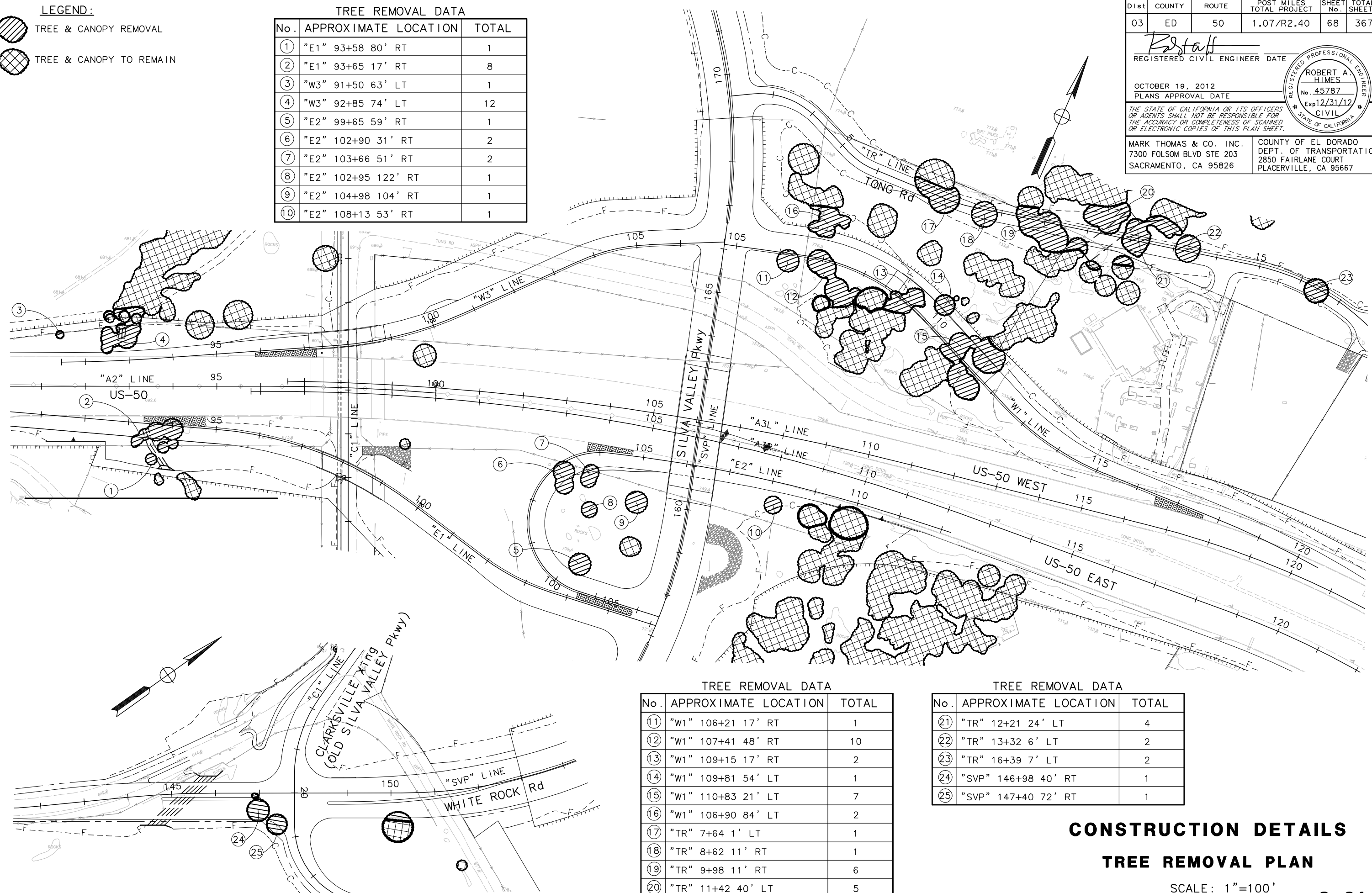
*Estaff*  
 REGISTERED CIVIL ENGINEER DATE  
 OCTOBER 19, 2012  
 PLANS APPROVAL DATE

ROBERT A. HIMES  
 No. 45787  
 Exp 12/31/12  
 CIVIL  
 STATE OF CALIFORNIA

THE STATE OF CALIFORNIA OR ITS OFFICERS OR AGENTS SHALL NOT BE RESPONSIBLE FOR THE ACCURACY OR COMPLETENESS OF SCANNED OR ELECTRONIC COPIES OF THIS PLAN SHEET.

MARK THOMAS & CO. INC.  
 7300 FOLSOM BLVD STE 203  
 SACRAMENTO, CA 95826

COUNTY OF EL DORADO  
 DEPT. OF TRANSPORTATION  
 2850 FAIRLANE COURT  
 PLACERVILLE, CA 95667



**TREE REMOVAL DATA**

No.	APPROXIMATE LOCATION	TOTAL
①	"W1" 106+21 17' RT	1
②	"W1" 107+41 48' RT	10
③	"W1" 109+15 17' RT	2
④	"W1" 109+81 54' LT	1
⑤	"W1" 110+83 21' LT	7
⑥	"W1" 106+90 84' LT	2
⑦	"TR" 7+64 1' LT	1
⑧	"TR" 8+62 11' RT	1
⑨	"TR" 9+98 11' RT	6
⑩	"TR" 11+42 40' LT	5

**TREE REMOVAL DATA**

No.	APPROXIMATE LOCATION	TOTAL
⑪	"TR" 12+21 24' LT	4
⑫	"TR" 13+32 6' LT	2
⑬	"TR" 16+39 7' LT	2
⑭	"SVP" 146+98 40' RT	1
⑮	"SVP" 147+40 72' RT	1

**CONSTRUCTION DETAILS**  
**TREE REMOVAL PLAN**  
 SCALE: 1"=100'

THIS PLAN ACCURATE FOR TREE REMOVAL WORK ONLY

COUNTY CIP: 71328 EA: 03-1E290  
 DATE PLOTTED => 7/14/2010 TIME PLOTTED => 9:29 AM  
 00-00-00