

**COUNTY OF EL DORADO, CA
DEPARTMENT OF TRANSPORTATION**

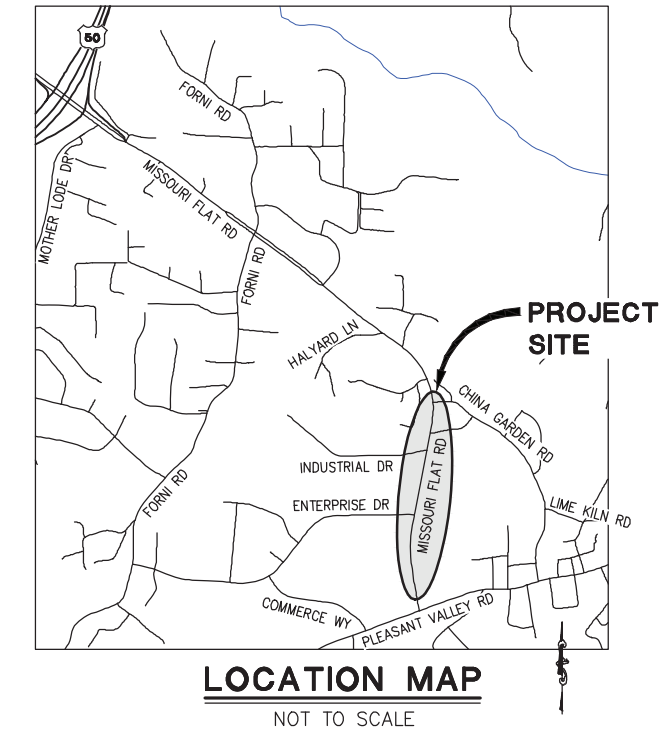
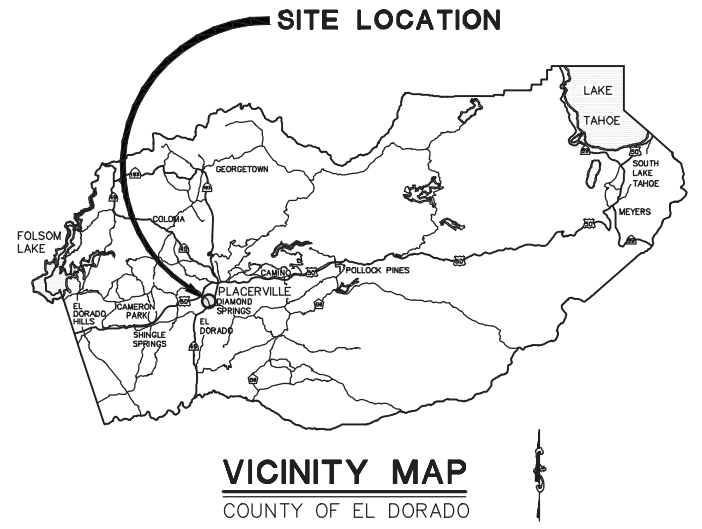
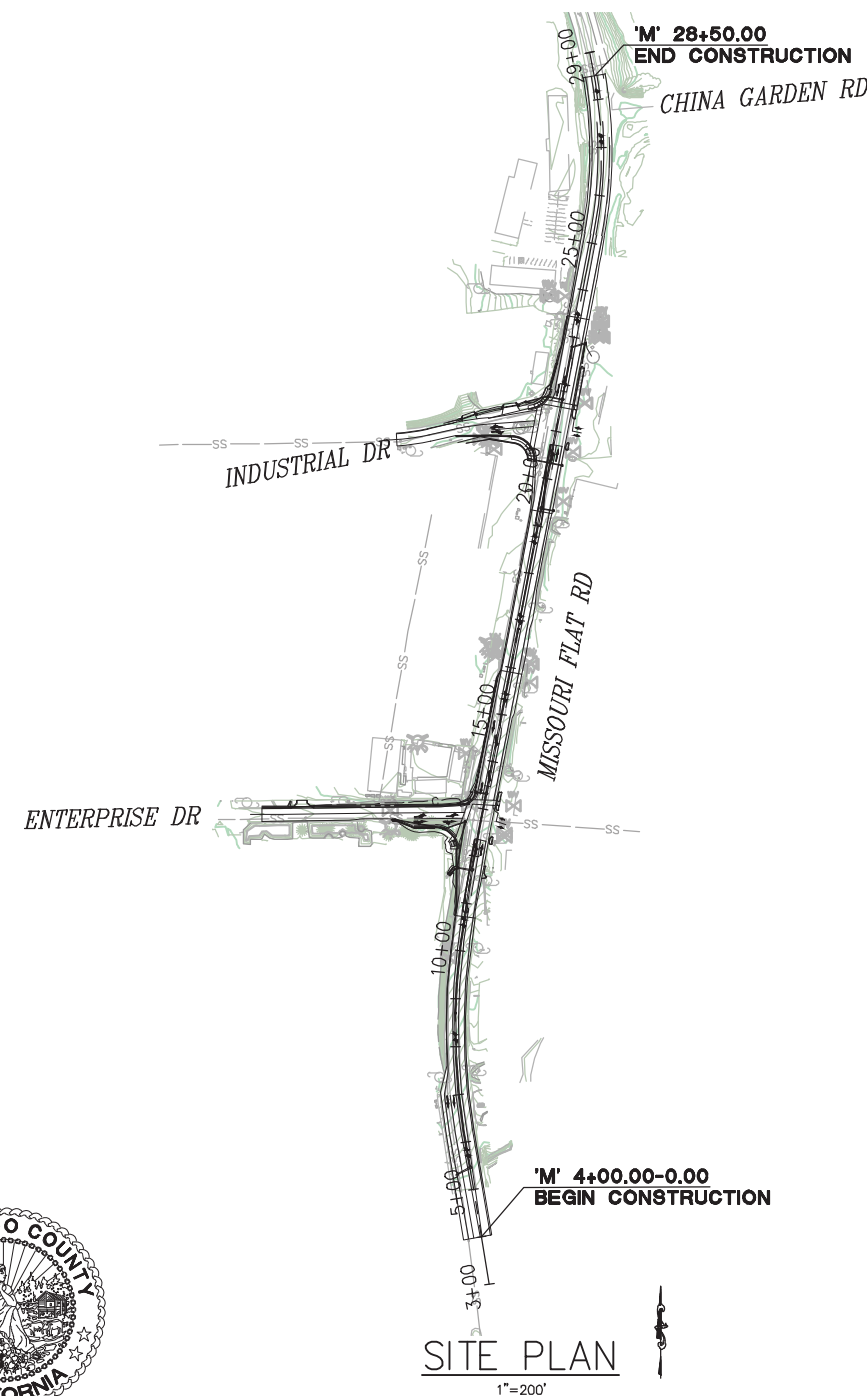
**PROJECT PLANS FOR THE CONSTRUCTION OF
ENTERPRISE DR AND INDUSTRIAL DR
INTERSECTION IMPROVEMENTS**

IN THE COUNTY OF EL DORADO, DISTRICT 3
ON MISSOURI FLAT RD, APPROX. 1.3 MILES SOUTH OF THE U.S. HWY 50/MISSOURI FLAT RD INTERCHANGE

To be supplemented with Standard Plans and Specifications dated 2018, including
the 2018 Revised Standard Specifications, of the California Department of
Transportation, unless otherwise noted.

INDEX OF SHEETS

SHEET	PLAN SHEET	TITLE
1		TITLE SHEET
2-3	CD-1 THRU CD-2	SURVEY AND CONTROL DIAGRAM
4	X-1	TYPICAL SECTIONS-MISSOURI FLAT RD AND ENTERPRISE DR
5	X-2	TYPICAL SECTIONS-MISSOURI FLAT RD AND INDUSTRIAL DR
6-10	L-1 THRU L-5	LAYOUT
11-20	C-1 THRU C-10	CONSTRUCTION DETAILS
21-36	D-1 THRU D-16	DRAINAGE
37-48	SC-1 THRU SC-12	STAGE CONSTRUCTION
49-57	SPD-1 THRU SPD-9	SIGNING AND PAVEMENT DELINEATION
58	RW-1	RETAINING WALL 'RW1'
59-61	E-1 THRU E-3	SIGNAL AND LIGHTING PLANS-ENTERPRISE DR
62-64	E-4 THRU E-6	SIGNAL AND LIGHTING PLANS-INDUSTRIAL DR
65	E-7	SIGNAL AND LIGHTING DETAILS



BOARD OF SUPERVISORS

JOHN HIDAHL	I
GEORGE TURNBOO	II
WENDY THOMAS	III
LORI PARLIN	IV
BROOKE LAINE	V

**COUNTY OF EL DORADO
DEPARTMENT OF TRANSPORTATION**

(530) 621-5900
2850 FAIRLANE CT
PLACERVILLE, CA 95667

ADOPTED AND APPROVED BY:

WENDY THOMAS CHAIR, EL DORADO COUNTY BOARD OF SUPERVISORS	DATE
APPROVED BY:	DATE
RAFAEL MARTINEZ, DIRECTOR DEPARTMENT OF TRANSPORTATION	DATE
MATTHEW D. SNEITZER, P.E. NO. C56832 DEPUTY DIRECTOR, ENGINEERING	DATE

CONTRACT NO. 6286 CIP NO. 73365 & 73366

ENTERPRISE DR AND INDUSTRIAL DR INTERSECTION IMPROVEMENTS

TITLE SHEET

SHEET **1** OF **65**

CONTRACTOR'S LICENSE CLASSIFICATION: Bidders shall be properly licensed to perform the Work pursuant to the State Contractor's License Act (Business and Professions Code section 7000 et seq.) and shall possess a CLASS A LICENSE or equivalent combination of Classes required by the categories and type of Work included in the Contract Documents and Plans. Failure of the successful Bidder to obtain proper and adequate licensing at the time bids are submitted shall constitute a failure to execute the Contract, and forfeiture as provided under that section.

REVISIONS

MARK	DATE	BY



SUBMITTED BY:
CIVIL ENGINEER
STATE OF CALIFORNIA NO. _____

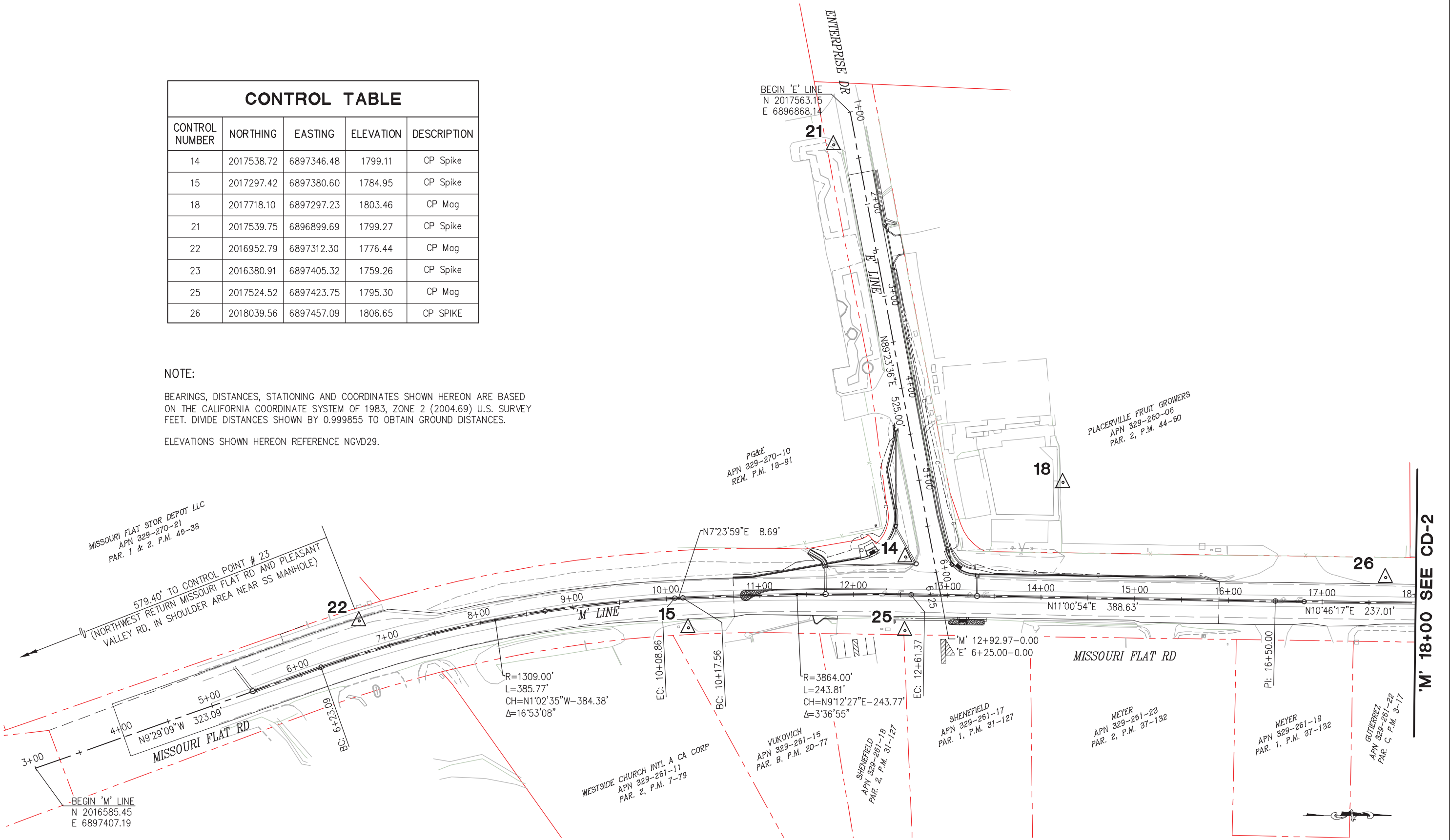
4/18/23
DATE

Drawing name: Z:\Civil 3D Projects\73365 73366 Enterprise-Industrial\CADD Files\Sheets\Title.dwg Layout Tab: Title Mar 29, 2023 - 5:41am smevey

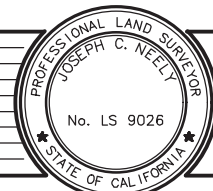
ORIGINAL SCALE IS IN INCHES
 Drawing name: Z:\Civil 3D Projects\73366 Enterprise-Industrial\CADD_Files\Sheets\CD-Sheets.dwg Layout Tab: CD-1 Mar 29, 2023 - 6:34am smcvey

CONTROL TABLE				
CONTROL NUMBER	NORTHING	EASTING	ELEVATION	DESCRIPTION
14	2017538.72	6897346.48	1799.11	CP Spike
15	2017297.42	6897380.60	1784.95	CP Spike
18	2017718.10	6897297.23	1803.46	CP Mag
21	2017539.75	6896899.69	1799.27	CP Spike
22	2016952.79	6897312.30	1776.44	CP Mag
23	2016380.91	6897405.32	1759.26	CP Spike
25	2017524.52	6897423.75	1795.30	CP Mag
26	2018039.56	6897457.09	1806.65	CP SPIKE

NOTE:
 BEARINGS, DISTANCES, STATIONING AND COORDINATES SHOWN HEREON ARE BASED ON THE CALIFORNIA COORDINATE SYSTEM OF 1983, ZONE 2 (2004.69) U.S. SURVEY FEET. DIVIDE DISTANCES SHOWN BY 0.999855 TO OBTAIN GROUND DISTANCES.
 ELEVATIONS SHOWN HEREON REFERENCE NGVD29.



SURVEY AND CONTROL DIAGRAM
 SCALE : 1" = 50'



PREPARED UNDER THE SUPERVISION OF:
Joseph C. Neely
 PROFESSIONAL LAND SURVEYOR
 DATE: 4/18/23

DESIGNED: DWH
 DRAWN: SGM
 CHECKED: DWH
 DATE: 03/29/23
 ROAD NUMBER: 009

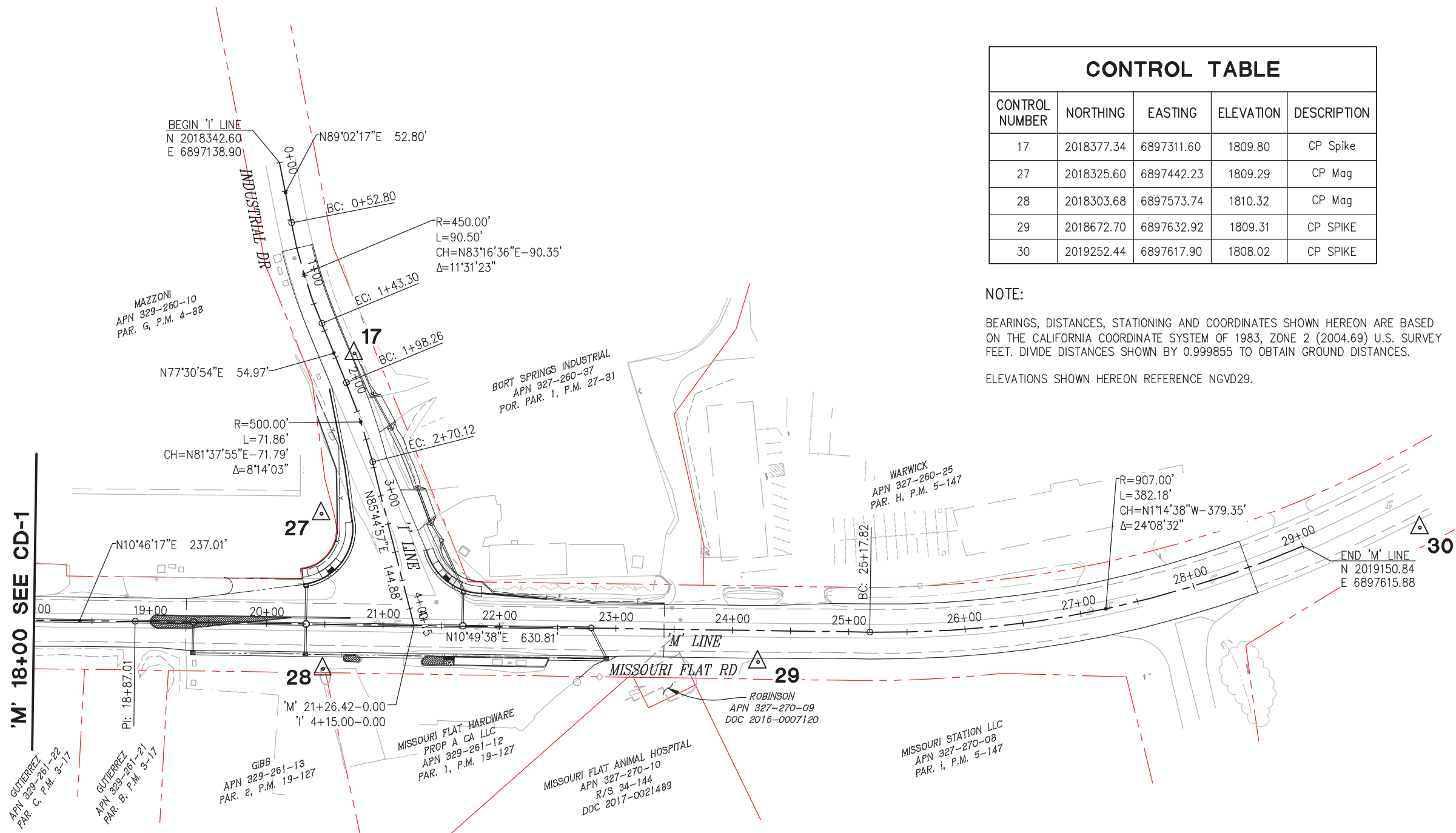


COUNTY OF EL DORADO
DEPARTMENT OF TRANSPORTATION

ENTERPRISE DR AND INDUSTRIAL DR
INTERSECTION IMPROVEMENTS

SHEET
CD-1
 2 OF 65
 CONTRACT NO.
6286

ORIGINAL SCALE IS IN INCHES
 Drawing name: Z:\Civil 3D Projects\73365 Enterprise-Industrial\CADD Files\Sheets\CD-Sheets.dwg Layout Tab: CD-2 Mar 29, 2023 - 6:34am smevey
 FOR REDUCED PLANS



CONTROL TABLE				
CONTROL NUMBER	NORTHING	EASTING	ELEVATION	DESCRIPTION
17	2018377.34	6897311.60	1809.80	CP Spike
27	2018325.60	6897442.23	1809.29	CP Mag
28	2018303.68	6897573.74	1810.32	CP Mag
29	2018672.70	6897632.92	1809.31	CP SPIKE
30	2019252.44	6897617.90	1808.02	CP SPIKE

NOTE:
 BEARINGS, DISTANCES, STATIONING AND COORDINATES SHOWN HEREON ARE BASED ON THE CALIFORNIA COORDINATE SYSTEM OF 1983, ZONE 2 (2004.69) U.S. SURVEY FEET. DIVIDE DISTANCES SHOWN BY 0.999855 TO OBTAIN GROUND DISTANCES.
 ELEVATIONS SHOWN HEREON REFERENCE NGVD29.

REVISION
 NUMBER DATE DESCRIPTION BY



PREPARED UNDER THE SUPERVISION OF:
Joseph C. Neely
 PROFESSIONAL LAND SURVEYOR
 DATE: 4/18/23

DESIGNED: DWH
 DRAWN: SGM
 CHECKED: DWH
 DATE: 01/31/23
 ROAD NUMBER: 009



COUNTY OF EL DORADO
 DEPARTMENT OF TRANSPORTATION

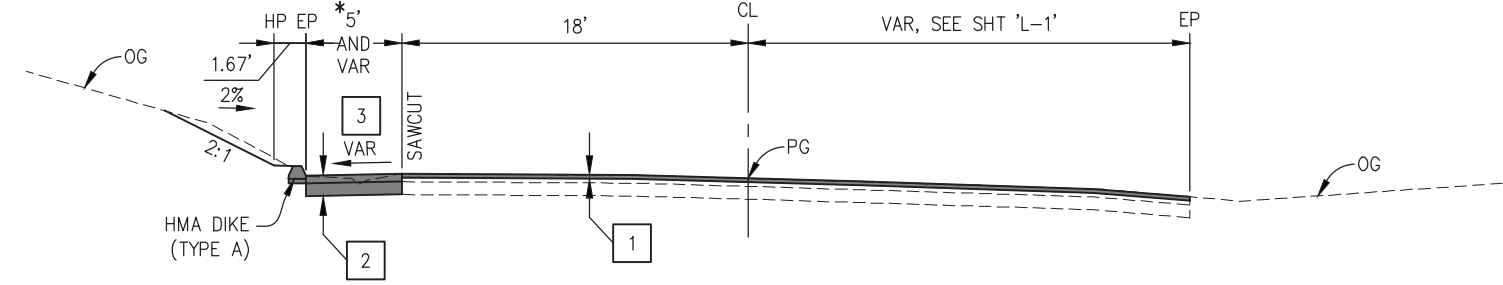
ENTERPRISE DR AND INDUSTRIAL DR
 INTERSECTION IMPROVEMENTS

SURVEY AND CONTROL DIAGRAM
 SCALE : 1" = 50'

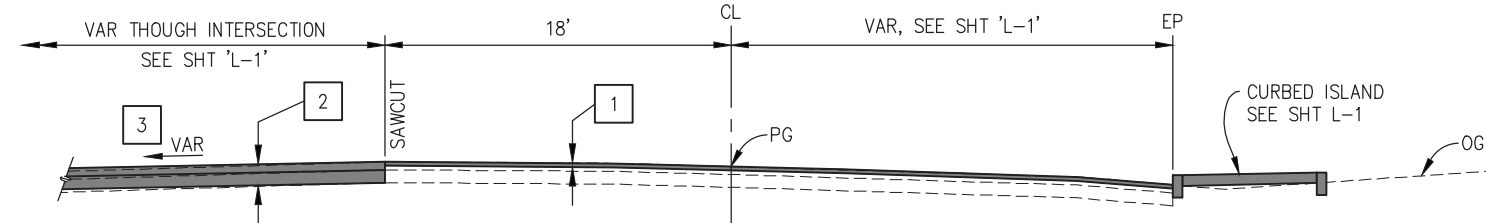
SHEET
CD-2
 3 OF 65
 CONTRACT NO.
6286

ORIGINAL SCALE IS IN INCHES
 Drawing name: Z:\Civil 3D Projects\73365 73366 Enterprise-Industrial\CADD_Files\Sheets\X-Sheets.dwg Layout Tab: X-1 Mar 29, 2023 - 5:43am smcvey

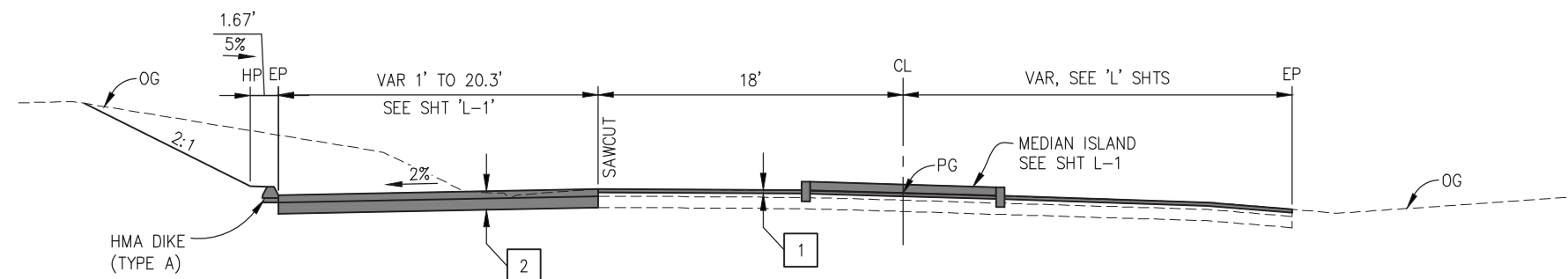
*5' - ('M' 13+29.64 TO 'M' 15+71.97)
 TAPER 5' TO 1.60' - ('M' 15+71.97 TO 'M' 15+90.00)



'M' 13+29.64 TO 'M' 15+90.00



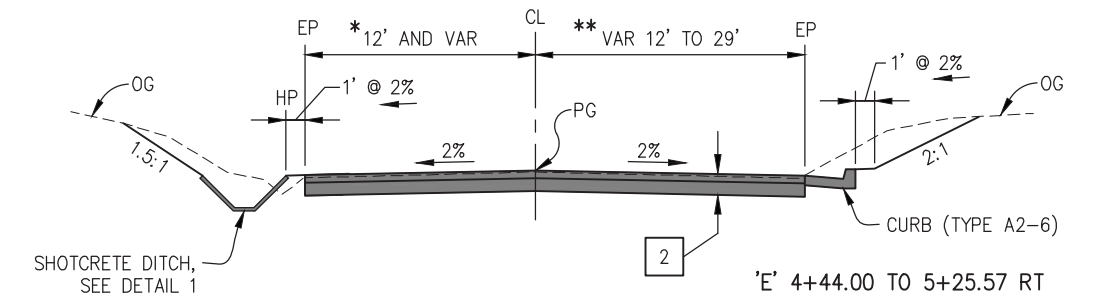
'M' 12+07.64 TO 'M' 13+29.64
 (MISSOURI FLAT RD/ENTERPRISE DR INTERSECTION)



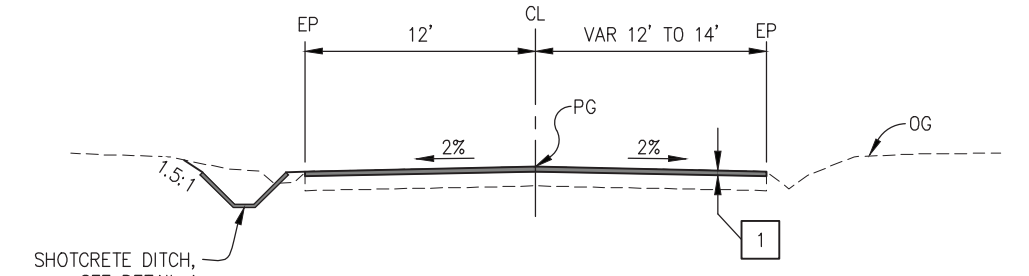
'M' 10+72.00 TO 'M' 12+07.64

*12' - ('E' 4+44.00 TO 'E' 5+40.21)
 TAPER 12' TO 14.25' - ('E' 5+40.21 TO 'E' 5+79.43)

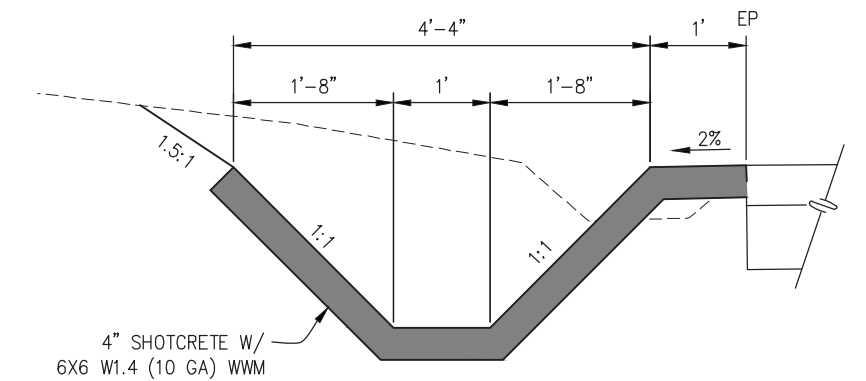
** TAPER 12' TO 29' - ('E' 4+44.00 TO 'E' 4+82.70)
 29' - ('E' 4+82.70 TO 'E' 5+25.57)



'E' 4+44.00 TO 'E' 5+79.43



'E' 1+65.79 TO 'E' 4+44.00



1 SHOTCRETE DITCH
 NTS

CONSTRUCTION NOTES:

- 1 - 0.2' MIN GRIND AND OVERLAY, HMA (TYPE A)
- 2 - 5" HMA (TYPE A)
8" AB (CLASS 2)
- 3 - CROSS SLOPE VARIES, SEE SHT 'L-1'

TYPICAL SECTIONS
 MISSOURI FLAT RD AND ENTERPRISE DR
 SCALE : NONE

REVISION	NUMBER	DATE	DESCRIPTION	BY



PREPARED UNDER THE SUPERVISION OF :

 REGISTERED CIVIL ENGINEER
 DATE: 4/18/23

DESIGNED: DWH
 DRAWN: SGM
 CHECKED: DWH
 DATE: 03/29/23
 ROAD NUMBER: 009

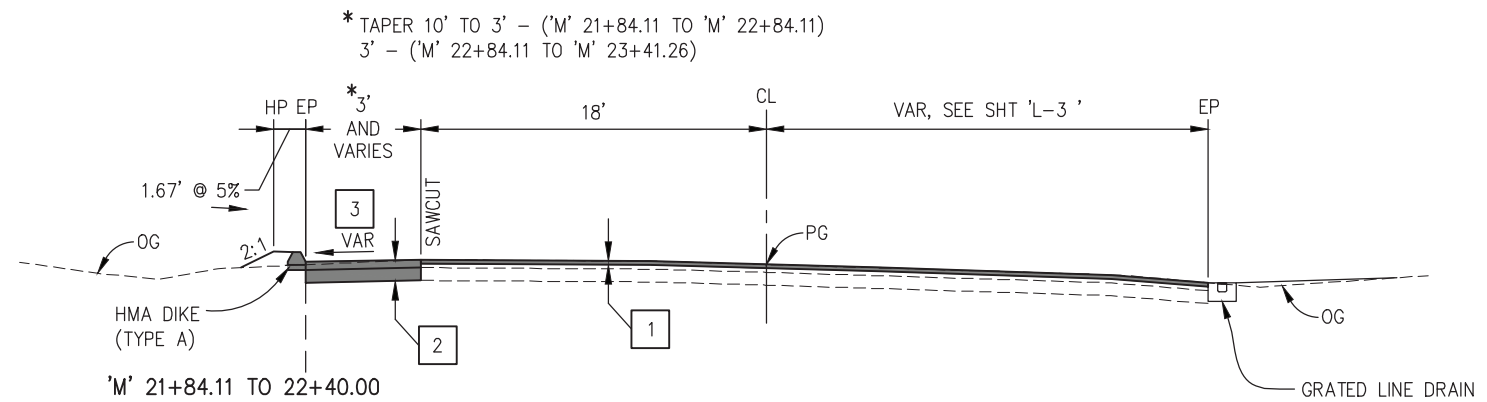


COUNTY OF EL DORADO
DEPARTMENT OF TRANSPORTATION

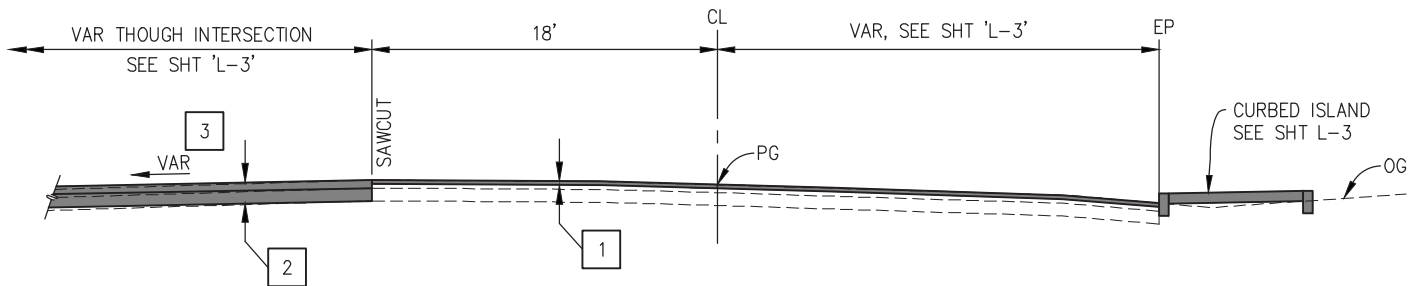
ENTERPRISE DR AND INDUSTRIAL DR
INTERSECTION IMPROVEMENTS

SHEET
X-1
 4 OF 65
 CONTRACT NO.
6286

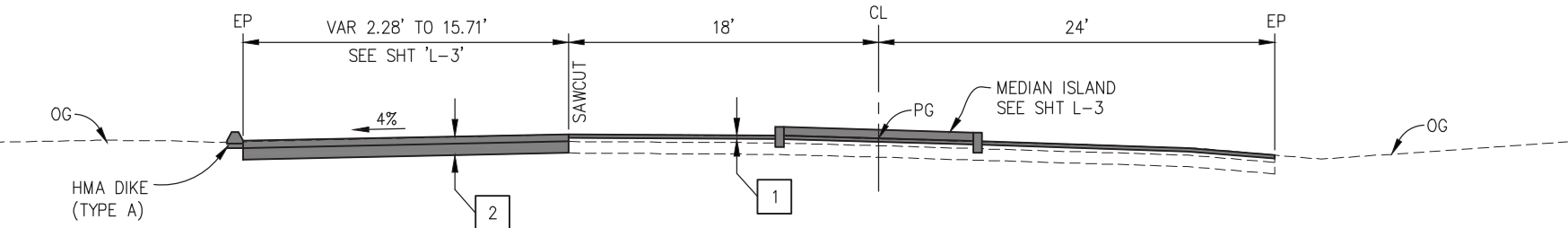
ORIGINAL SCALE IS IN INCHES
 Drawing name: Z:\Civil 3D Projects\73365 73366 Enterprise-Industrial\CADD_Files\Sheets\X-Sheets.dwg Layout Tab: X-2 Mar 29, 2023 - 5:43am smcvey
 FOR REDUCED PLANS
 2
 1
 0



'M' 21+84.11 TO 'M' 23+41.26



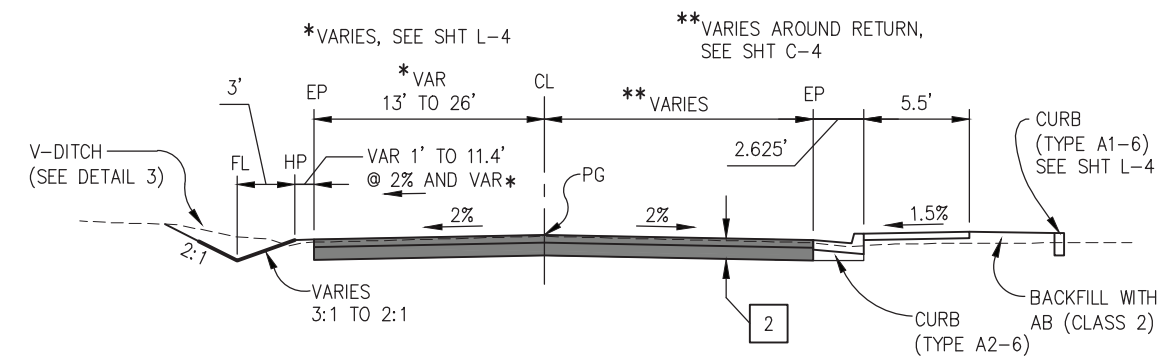
**'M' 20+31.14 TO 'M' 21+84.11
(MISSOURI FLAT RD/INDUSTRIAL DR INTERSECTION)**



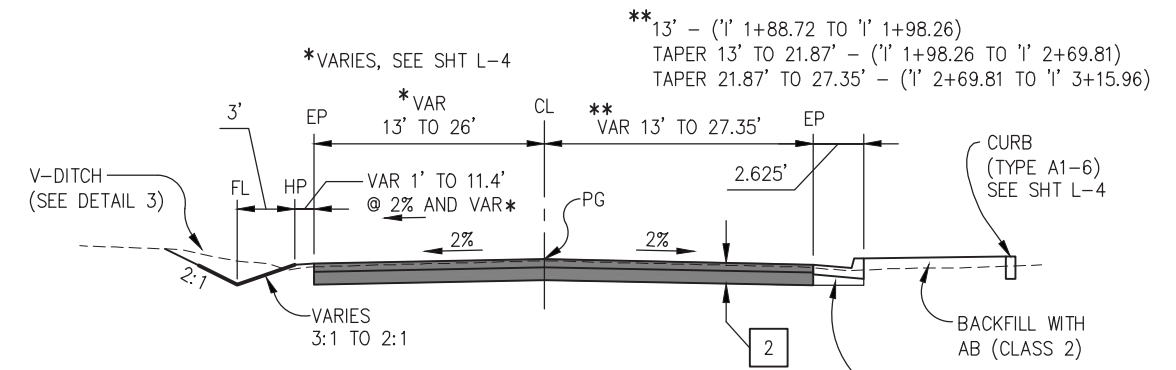
'M' 19+30.81 TO 'M' 20+31.14

CONSTRUCTION NOTES:

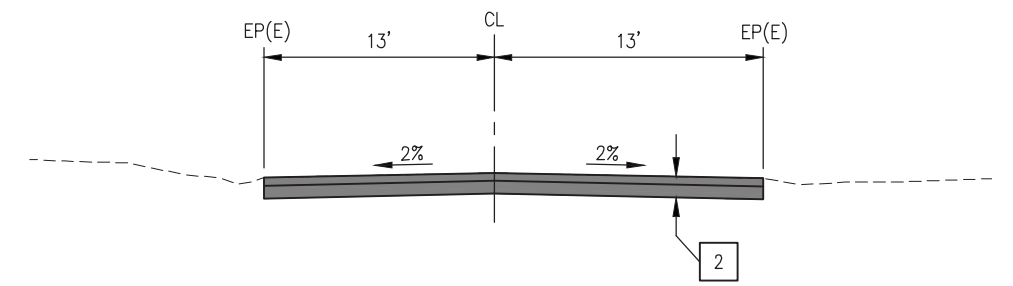
- 1 — 0.2' MIN GRIND AND OVERLAY, HMA (TYPE A)
- 2 — 5" HMA (TYPE A)
8" AB (CLASS 2)
- 3 — CROSS SLOPE VARIES, SEE SHT 'L-1'



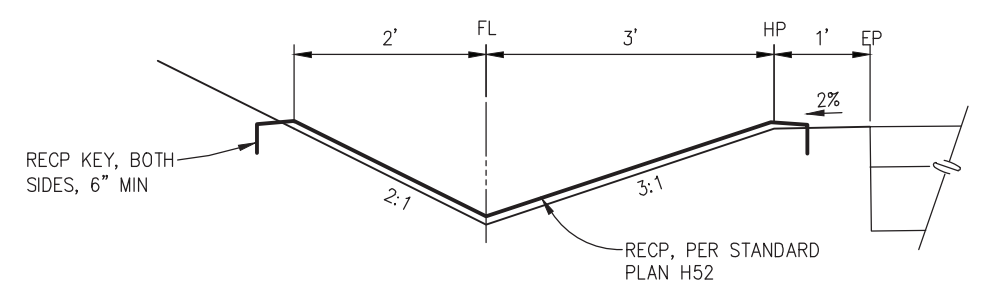
'I' 3+15.96 TO 'I' 3+54.69



'I' 1+98.26 TO 'I' 3+15.96



'I' 0+75.00 TO 'I' 1+98.26



3 V-DITCH
NTS

**TYPICAL SECTIONS
MISSOURI FLAT RD AND INDUSTRIAL DR
SCALE : NONE**



PREPARED UNDER THE SUPERVISION OF :
 [Signature]
 REGISTERED CIVIL ENGINEER
 DATE: 4/18/23

DESIGNED: DWH
 DRAWN: SGM
 CHECKED: DWH
 DATE: 03/29/23
 ROAD NUMBER: 009

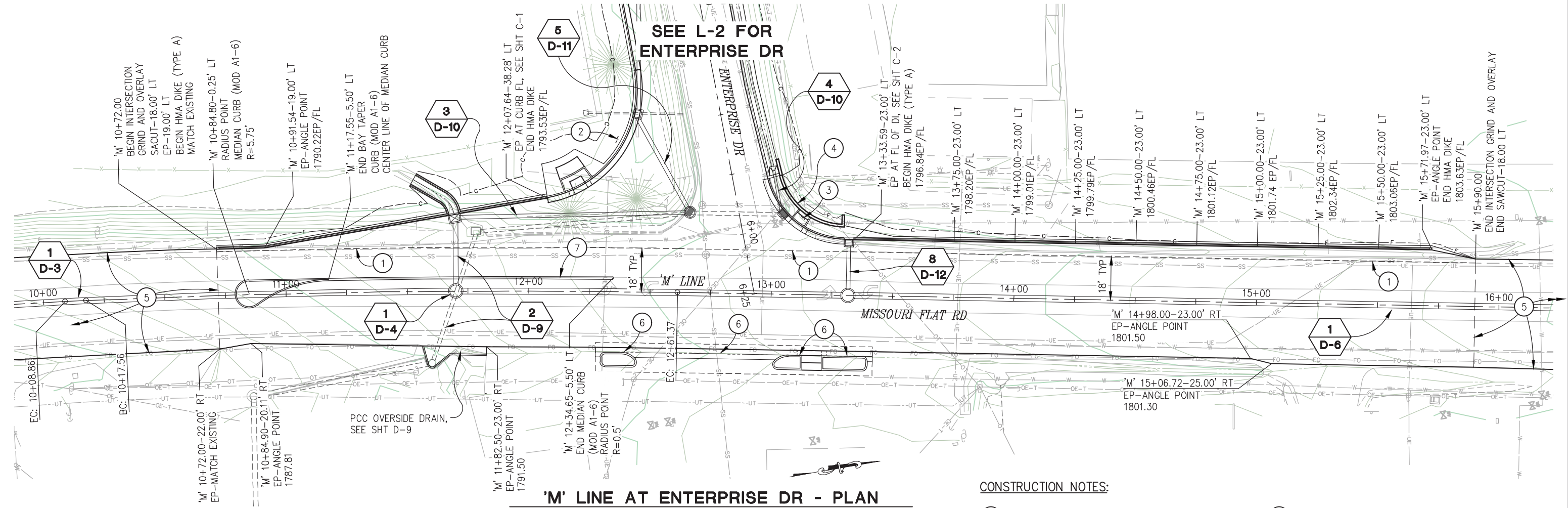


**COUNTY OF EL DORADO
 DEPARTMENT OF TRANSPORTATION**

**ENTERPRISE DR AND INDUSTRIAL DR
 INTERSECTION IMPROVEMENTS**

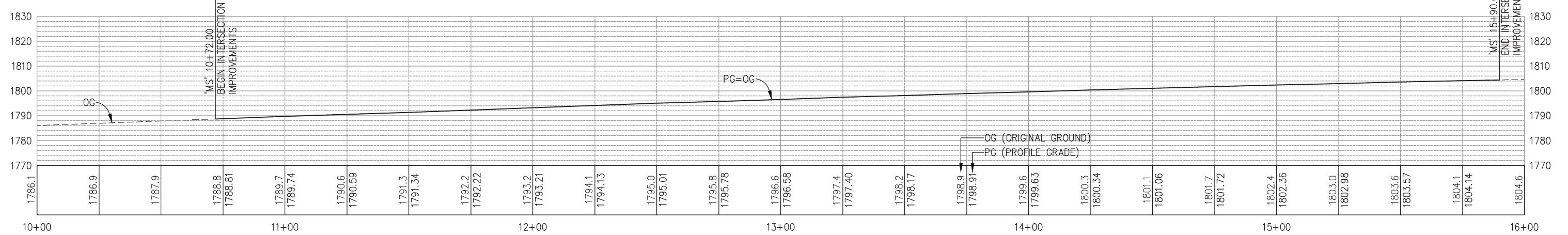
SHEET
X-2
 5 OF 65
 CONTRACT NO.
6286

ORIGINAL SCALE IS IN INCHES
 Drawing name: Z:\Civil_3D Projects\73365 73366 Enterprise-Industrial\CADD Files\Sheets\L-Sheets.dwg Layout Tab: L-1 Mar 29, 2023 5:45am sncvwy
 FOR REDUCED PLANS



CONSTRUCTION NOTES:

- ① — SAWCUT TO A CLEAN UNIFORM LINE
- ② — SEE SHT C-1 FOR SOUTHWEST RETURN DETAILS
- ③ — SEE SHT C-2 FOR NORTHWEST RETURN DETAILS
- ④ — BLOCK RETAINING WALL, SEE 'RW' SHTS FOR LAYOUT AND DETAILS
- ⑤ — GRIND AND OVERLAY MISSOURI FLAT RD, SEE SHT L-5 FOR DETAILS
- ⑥ — CURBED ISLAND AND VALLEY GUTTER, SEE SHT C-7 FOR DETAILS
- ⑦ — MEDIAN, SEE SHT C-7 FOR DETAILS



ENTERPRISE DR INTERSECTION LAYOUT
SCALE : AS SHOWN

REVISION	NUMBER	DATE	DESCRIPTION	BY



PREPARED UNDER THE SUPERVISION OF:
 [Signature]
 REGISTERED CIVIL ENGINEER
 DATE: 4/18/23

DESIGNED: DWH
 DRAWN: SGM
 CHECKED: DWH
 DATE: 03/29/23
 ROAD NUMBER: 009

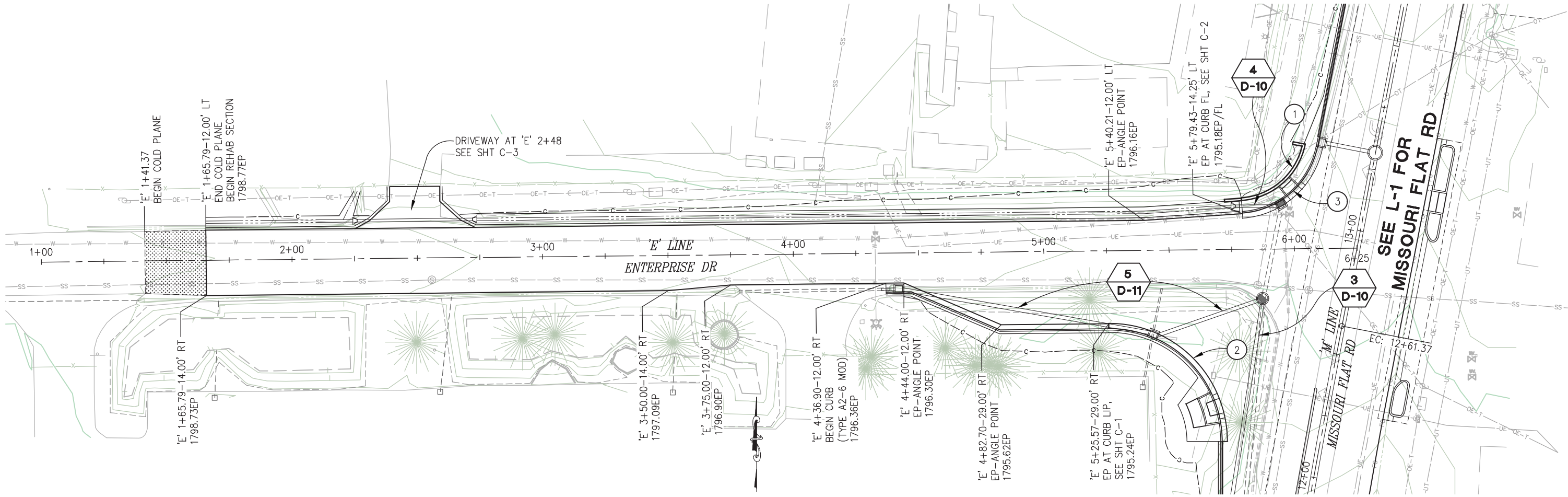


COUNTY OF EL DORADO
DEPARTMENT OF TRANSPORTATION

ENTERPRISE DR AND INDUSTRIAL DR
INTERSECTION IMPROVEMENTS

SHEET
L-1
6 OF 65
CONTRACT NO.
6286

ORIGINAL SCALE IS IN INCHES
 Drawing name: Z:\Civil_3D\Projects\73565\73566 Enterprise-Industrial\CADD\Files\Sheets_-Sheets.dwg Layout: Tab: L-2 Mar 29, 2023 5:45am smcvey
 FOR REDUCED PLANS



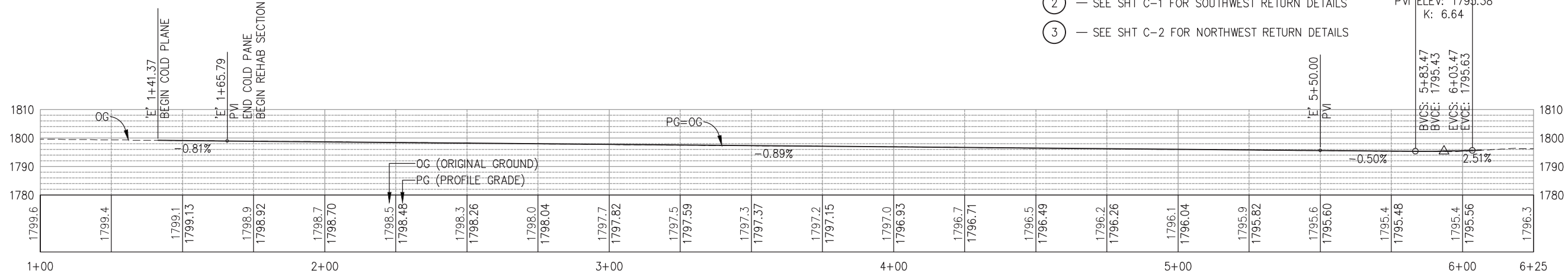
ENTERPRISE DR - PLAN

SCALE: 1"=20'

CONSTRUCTION NOTES:

- ① — BLOCK RETAINING WALL, SEE 'RW' SHTS FOR LAYOUT AND DETAILS
- ② — SEE SHT C-1 FOR SOUTHWEST RETURN DETAILS
- ③ — SEE SHT C-2 FOR NORTHWEST RETURN DETAILS

20.00 VC
 PVI STA: 5+93.47
 PVI ELEV: 1795.38
 K: 6.64
 BYCS: 5+83.47
 BYCE: 1795.43
 EYCS: 6+03.47
 EYCE: 1795.63



ENTERPRISE DR - PROFILE

SCALE: 1"=20' H,V

ENTERPRISE DR LAYOUT
SCALE : AS SHOWN

REVISION	NUMBER	DATE	DESCRIPTION	BY



PREPARED UNDER THE SUPERVISION OF :

 REGISTERED CIVIL ENGINEER
 DATE: 4/18/23

DESIGNED: DWH
 DRAWN: SGM
 CHECKED: DWH
 DATE: 03/29/23
 ROAD NUMBER: 009

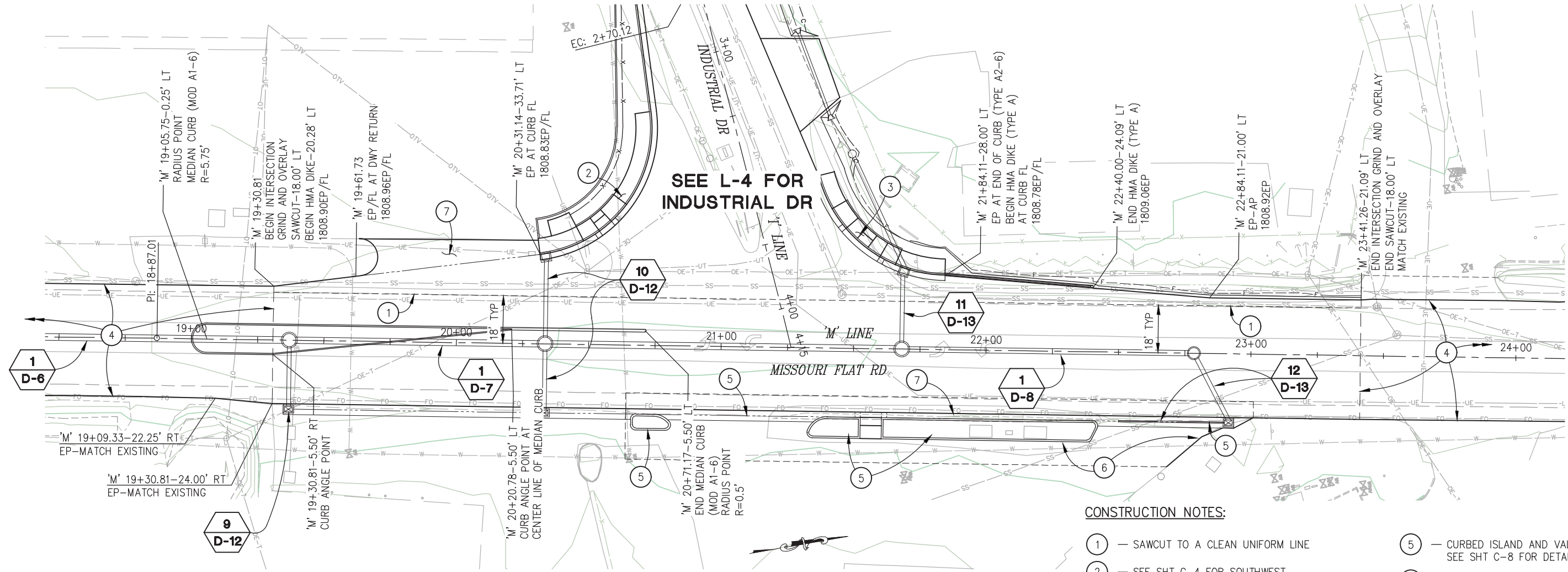


COUNTY OF EL DORADO DEPARTMENT OF TRANSPORTATION

ENTERPRISE DR AND INDUSTRIAL DR INTERSECTION IMPROVEMENTS

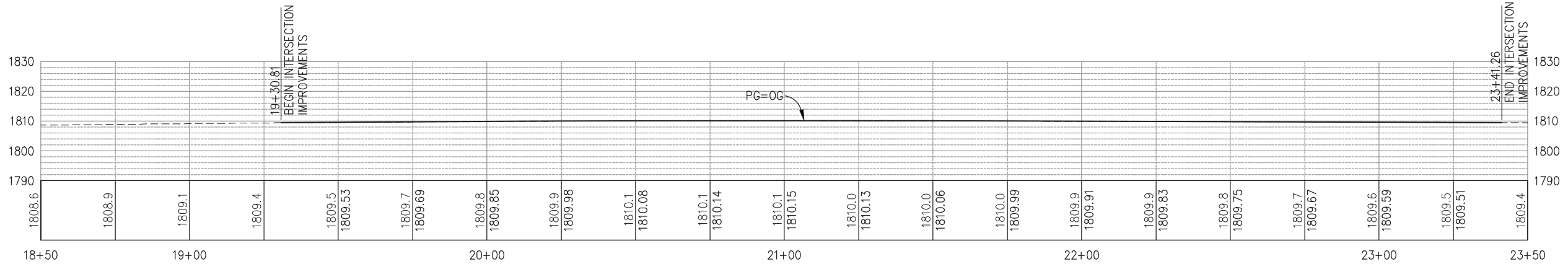
SHEET
L-2
 7 OF 65
 CONTRACT NO.
6286

ORIGINAL SCALE IS IN INCHES
 Drawing name: Z:\Civil_3D\Projects\73365\73366 Enterprise-Industrial\CADD\Files\Sheets\L-Sheets.dwg Layout Tab: L-3 Mar 29, 2023 5:46am smcvey
 FOR REDUCED PLANS



CONSTRUCTION NOTES:

- ① - SAWCUT TO A CLEAN UNIFORM LINE
- ② - SEE SHT C-4 FOR SOUTHWEST RETURN DETAILS
- ③ - SEE SHT C-5 FOR NORTHWEST RETURN DETAILS
- ④ - GRIND AND OVERLAY MISSOURI FLAT RD, SEE SHT L-5 FOR DETAILS
- ⑤ - CURBED ISLAND AND VALLEY GUTTER, SEE SHT C-8 FOR DETAILS
- ⑥ - DWY IMPROVEMENTS, SEE SHT C-9 FOR DETAILS
- ⑦ - DWY IMPROVEMENTS, SEE SHT C-10 FOR DETAILS



INDUSTRIAL DR INTERSECTION LAYOUT
 SCALE : AS SHOWN

REVISION	NUMBER	DATE	DESCRIPTION	BY



PREPARED UNDER THE SUPERVISION OF:

 REGISTERED CIVIL ENGINEER
 DATE: 4/18/23

DESIGNED: DWH
 DRAWN: SGM
 CHECKED: DWH
 DATE: 03/29/23
 ROAD NUMBER: 009

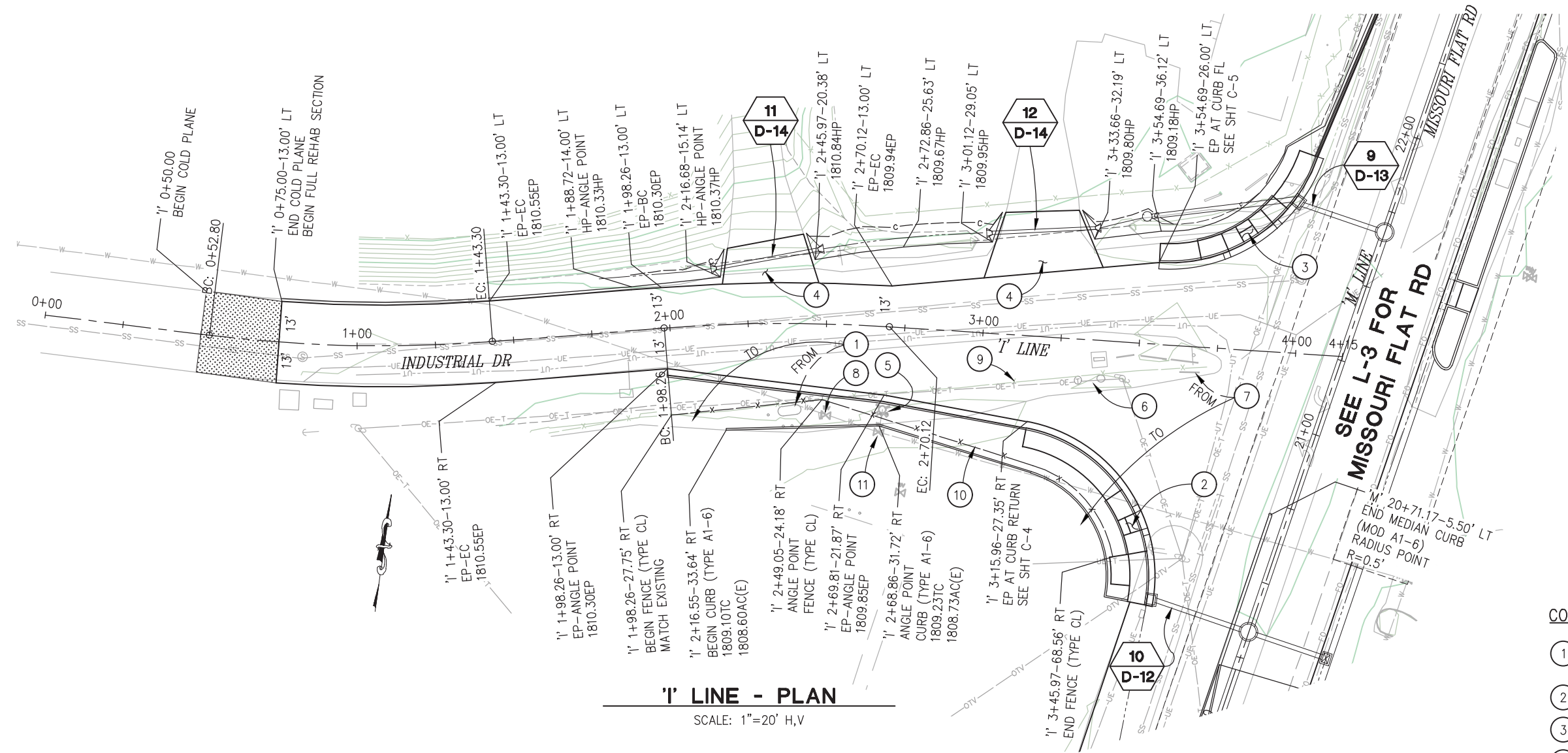


COUNTY OF EL DORADO
DEPARTMENT OF TRANSPORTATION

ENTERPRISE DR AND INDUSTRIAL DR
INTERSECTION IMPROVEMENTS

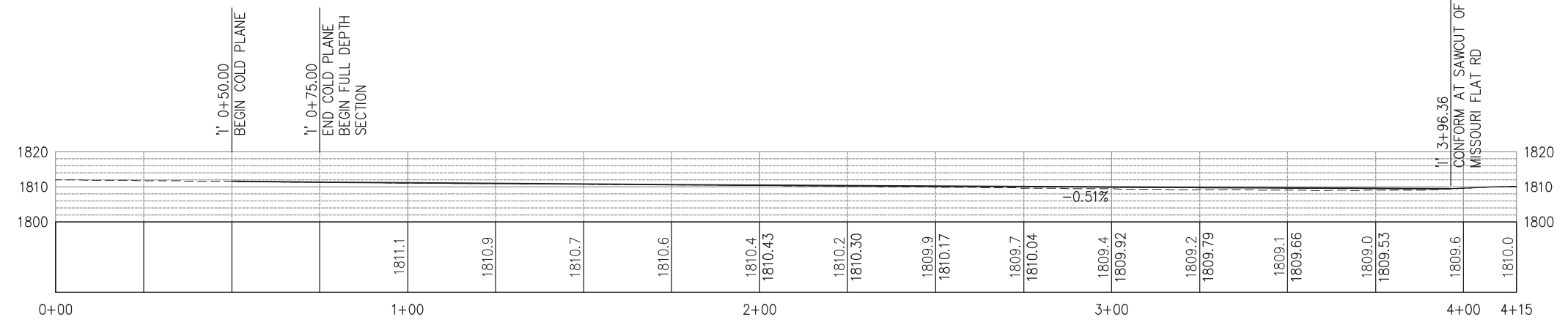
SHEET
L-3
 8 OF 65
 CONTRACT NO.
6286

ORIGINAL SCALE IS IN INCHES
 Drawing name: Z:\Civil_3D\Projects\73365\73366 Enterprise-Industrial\CADD\Files\Sheets\L-Sheets.dwg Layout Tab: L-4 Mar 29, 2023 5:46am smcvey
 FOR REDUCED PLANS



'I' LINE - PLAN

SCALE: 1"=20' H,V



'I' LINE - PROFILE

SCALE: 1"=20' H,V

GENERAL NOTES:

- REFER TO CALTRANS STD PLAN A88A FOR CURB RAMP DETAILS NOT SHOWN

CONSTRUCTION NOTES:

- RELOCATE PROPANE TANK AND INSTALL NEW BOLLARDS AS DIRECTED BY THE ENGINEER
- SEE SHT C-4 FOR SOUTHWEST RETURN DETAILS
- SEE SHT C-5 FOR NORTHWEST RETURN DETAILS
- SEE SHT C-6 FOR DRIVEWAY DETAILS
- REPLACE FIRE HYDRANT IN PLACE, ADJUST VERTICAL POSITION PER EID STD DWG W18 (RAISE APPROX 1')
- REMOVE MAILBOXES & INSTALL NEW 8-DOOR CLUSTER MAILBOX UNIT AT LOCATION AGREED BY THE PROPERTY OWNER AND USPS AND AS DIRECTED BY THE ENGINEER
- RELOCATE GREEN STEEL SIGN FRAME AS DIRECTED BY THE ENGINEER
- REPLACE WATER METER BOXES TO MATCH FG
- REMOVE APPROX 123 LF OF CL FENCE
- FENCE (TYPE CL), PLACE APPROX 2' BEHIND TYPE A1-6 CURB AS DIRECTED BY THE ENGINEER
- PROTECT HYDRANT VALVE BOX & LID IN PLACE

INDUSTRIAL DR LAYOUT
SCALE : AS SHOWN



PREPARED UNDER THE SUPERVISION OF:

 REGISTERED CIVIL ENGINEER
 DATE: 4/18/23

DESIGNED: DWH
 DRAWN: SGM
 CHECKED: DWH
 DATE: 03/29/23
 ROAD NUMBER: 009



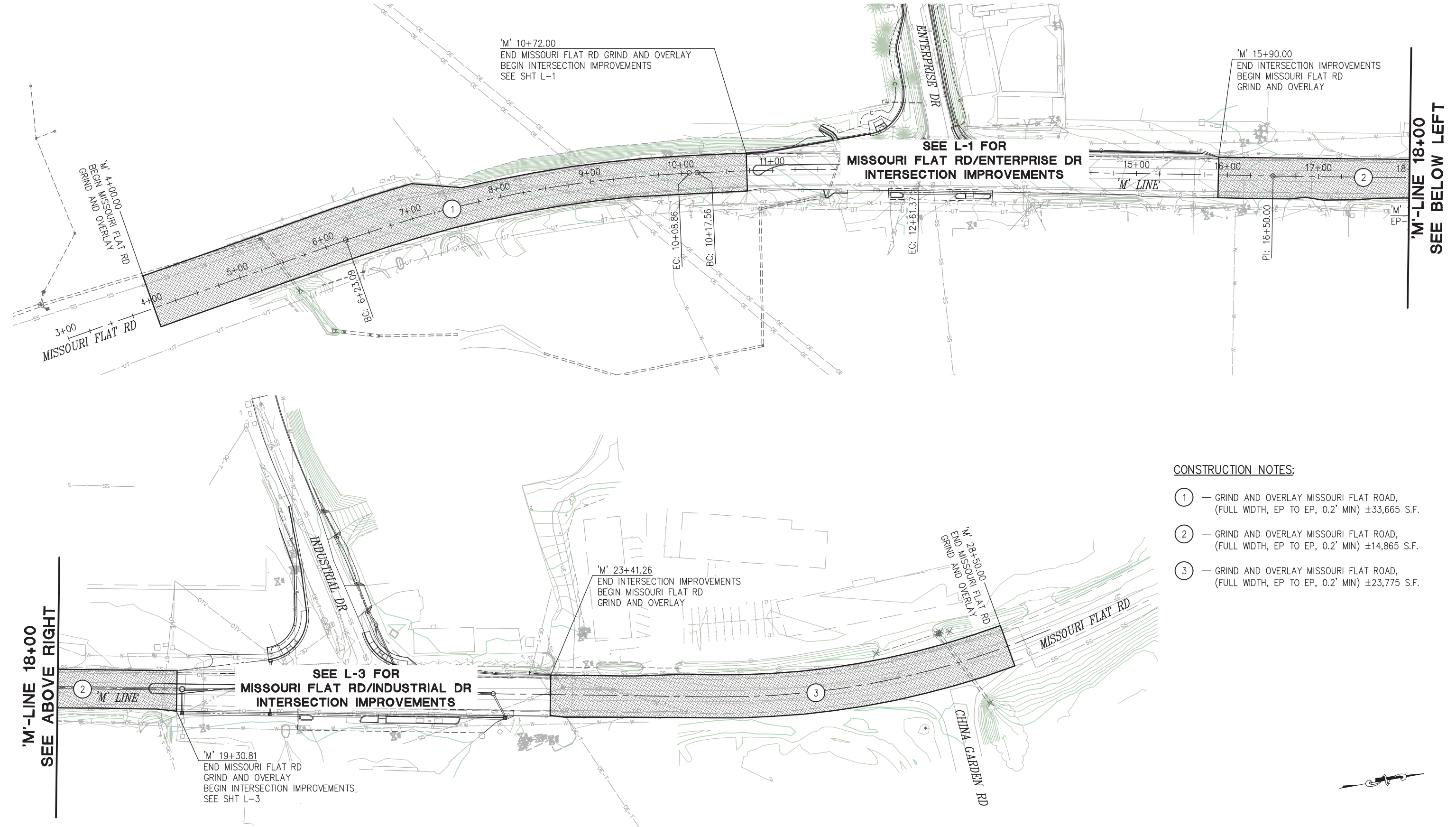
COUNTY OF EL DORADO
DEPARTMENT OF TRANSPORTATION

ENTERPRISE DR AND INDUSTRIAL DR
INTERSECTION IMPROVEMENTS

REVISION	NUMBER	DATE	DESCRIPTION	BY

SHEET
L-4
9 OF 65
CONTRACT NO.
6286

ORIGINAL SCALE IS IN INCHES
 Drawing name: Z:\Civil_3D\Projects\73365_73366 Enterprise-Industrial\CADD_Files\Sheets\L-Sheets.dwg Layout Tab: L-5 Mar 29, 2023 5:47am smcvey
 FOR REDUCED PLANS



- CONSTRUCTION NOTES:**
- ① — GRIND AND OVERLAY MISSOURI FLAT ROAD, (FULL WIDTH, EP TO EP, 0.2' MIN) ±33,665 S.F.
 - ② — GRIND AND OVERLAY MISSOURI FLAT ROAD, (FULL WIDTH, EP TO EP, 0.2' MIN) ±14,865 S.F.
 - ③ — GRIND AND OVERLAY MISSOURI FLAT ROAD, (FULL WIDTH, EP TO EP, 0.2' MIN) ±23,775 S.F.

MISSOURI FLAT RD GRIND AND OVERLAY LAYOUT
SCALE : 1"=50'

REVISION	NUMBER	DATE	DESCRIPTION	BY



PREPARED UNDER THE SUPERVISION OF :

 REGISTERED CIVIL ENGINEER
 DATE: 4/18/23

DESIGNED: DWH
 CHECKED: DWH
 ROAD NUMBER: 009
 DRAWN: SGM
 DATE: 03/29/23



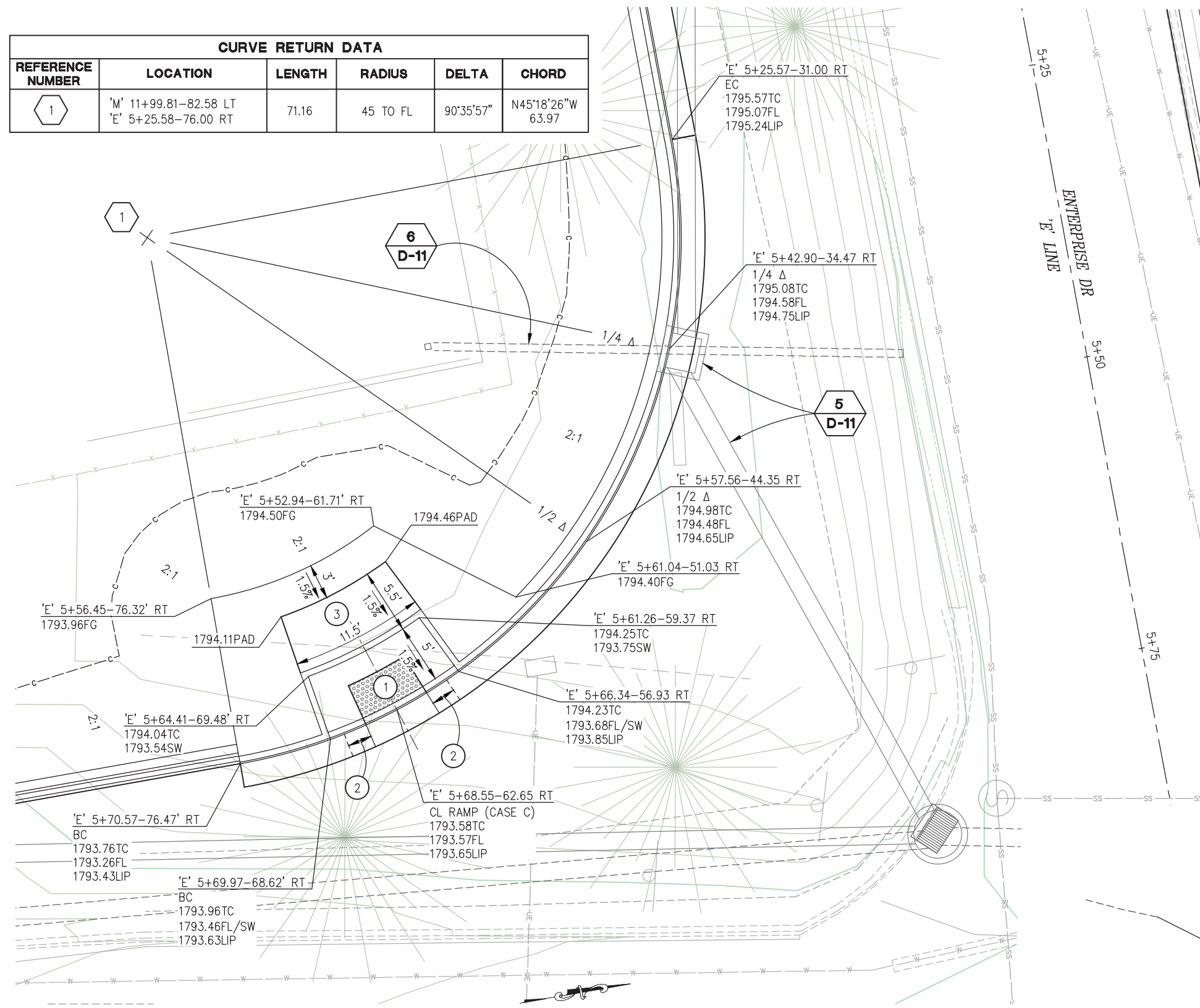
COUNTY OF EL DORADO
DEPARTMENT OF TRANSPORTATION

ENTERPRISE DR AND INDUSTRIAL DR
INTERSECTION IMPROVEMENTS

SHEET
L-5
 10 OF 65
 CONTRACT NO.
6286

ORIGINAL SCALE IS IN INCHES
 Drawing name: Z:\Civil_3D\Projects\73365 73366 Enterprise-Industrial\CADD_Files\Sheets\C-Sheets.dwg Layout Tab: C-1 Mar 29, 2023 - 5:49am smcvey
 FOR REDUCED PLANS

CURVE RETURN DATA					
REFERENCE NUMBER	LOCATION	LENGTH	RADIUS	DELTA	CHORD
1	'M' 11+99.81-82.58 LT 'E' 5+25.58-76.00 RT	71.16	45 TO FL	90°35'57"	N45°18'26"W 63.97



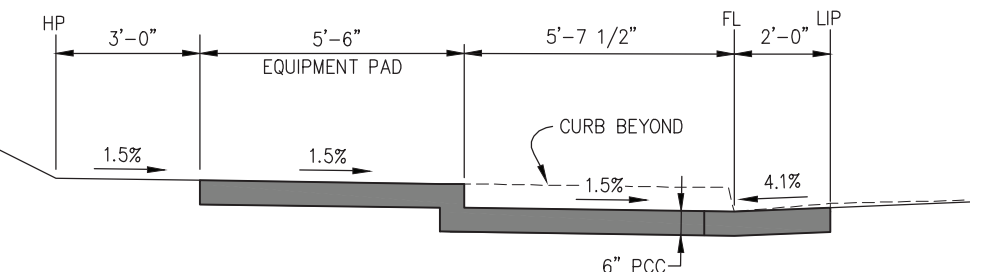
SCALE: 1"=5'

GENERAL NOTES:

1. REFER TO CALTRANS STD PLAN A88A FOR CURB RAMP DETAILS NOT SHOWN

CONSTRUCTION NOTES:

- ① — DETECTABLE WARNING SURFACE
- ② — 2' GUTTER CROSS SLOPE TRANSITION, 4.1% AT EDGE OF RAMP TO STANDARD TYPE 2 CURB SLOPE AT TRANSITION END. (LOWER LIP OF GUTTER TO ACHIEVE DESIRED CROSS SLOPE)
- ③ — SIGNAL EQUIPMENT PAD, SEE 'E' SHEETS



CENTERLINE OF CURB RAMP

NTS

CONSTRUCTION DETAILS
SCALE : AS SHOWN

REVISION	NUMBER	DATE	DESCRIPTION	BY



PREPARED UNDER THE SUPERVISION OF:

 REGISTERED CIVIL ENGINEER
 DATE: 4/18/23

DESIGNED: DWH
 DRAWN: SGM
 CHECKED: DWH
 DATE: 03/29/23
 ROAD NUMBER: 009

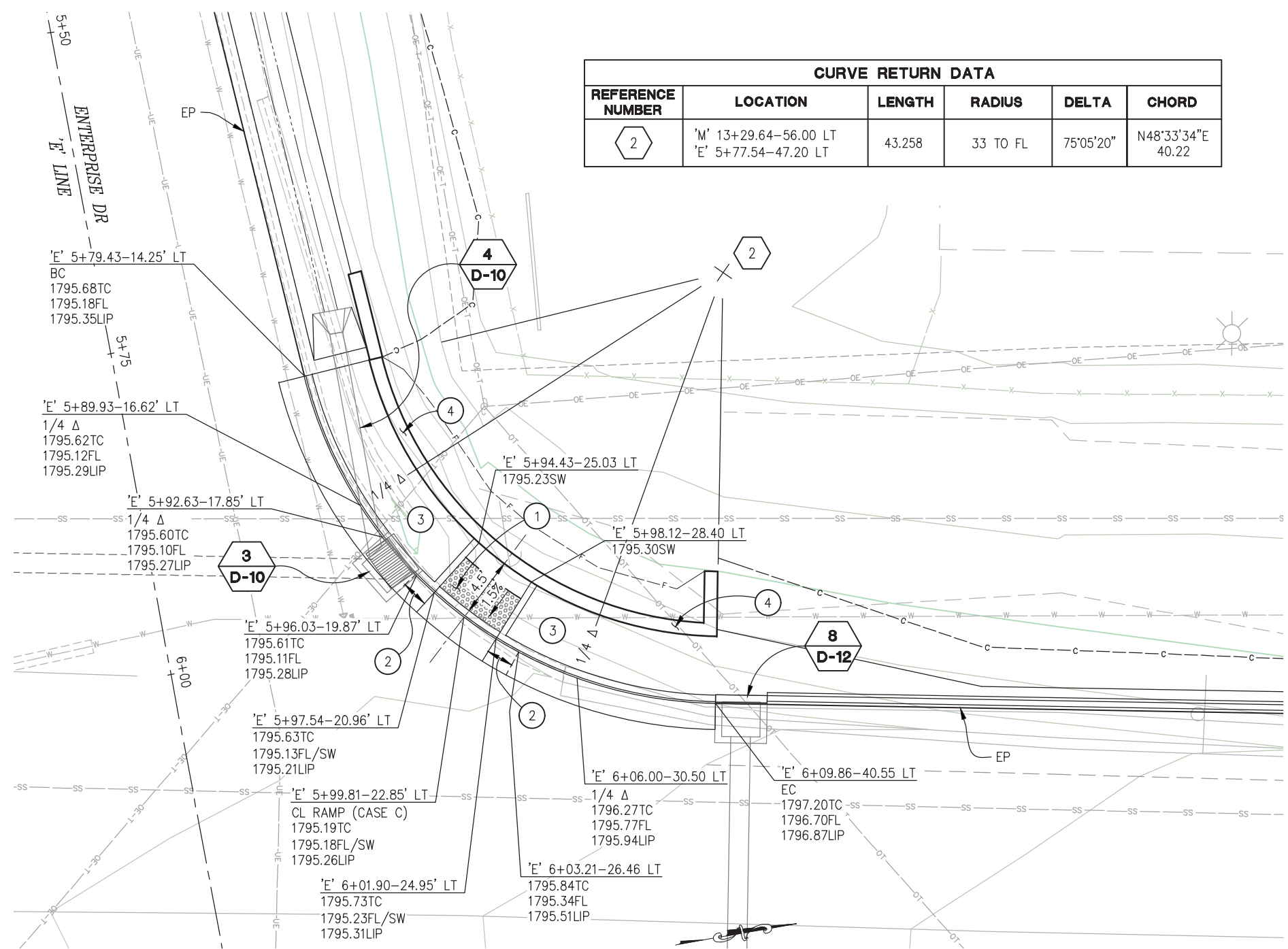


COUNTY OF EL DORADO
DEPARTMENT OF TRANSPORTATION

ENTERPRISE DR AND INDUSTRIAL DR
INTERSECTION IMPROVEMENTS

SHEET
C-1
11 OF 65
CONTRACT NO.
6286

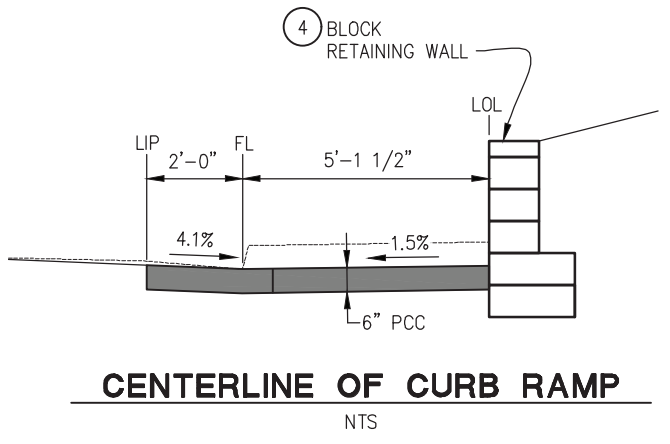
ORIGINAL SCALE IS IN INCHES
 Drawing name: Z:\Civil_3D\Projects\73565 Enterprise-Industrial\CADD_Files\Sheets\C-Sheets.dwg Layout Tab: C-2 Mar 29, 2023 - 5:49am smcvey
 FOR REDUCED PLANS



CURVE RETURN DATA					
REFERENCE NUMBER	LOCATION	LENGTH	RADIUS	DELTA	CHORD
2	'M' 13+29.64-56.00 LT 'E' 5+77.54-47.20 LT	43.258	33 TO FL	75°05'20"	N48°33'34"E 40.22

- GENERAL NOTES:**
- REFER TO CALTRANS STD PLAN A88A FOR CURB RAMP DETAILS NOT SHOWN

- CONSTRUCTION NOTES:**
- DETECTABLE WARNING SURFACE
 - 2' GUTTER CROSS SLOPE TRANSITION, 4.1% AT EDGE OF RAMP TO STANDARD TYPE 2 CURB SLOPE AT TRANSITION END. (LOWER LIP OF GUTTER TO ACHIEVE DESIRED CROSS SLOPE)
 - BACKFILL WITH NATIVE MATERIAL, 95% RELATIVE COMPACTION
 - BLOCK RETAINING WALL, SEE SHT RW-1



NORTHWEST RETURN (ENTERPRISE DR)
 SCALE: 1"=5'

CONSTRUCTION DETAILS
 SCALE : AS SHOWN

REVISION	NUMBER	DATE	DESCRIPTION	BY



PREPARED UNDER THE SUPERVISION OF :

 REGISTERED CIVIL ENGINEER
 DATE: 4/18/23

DESIGNED: DWH
 DRAWN: SGM
 CHECKED: DWH
 DATE: 03/29/23
 ROAD NUMBER: 009

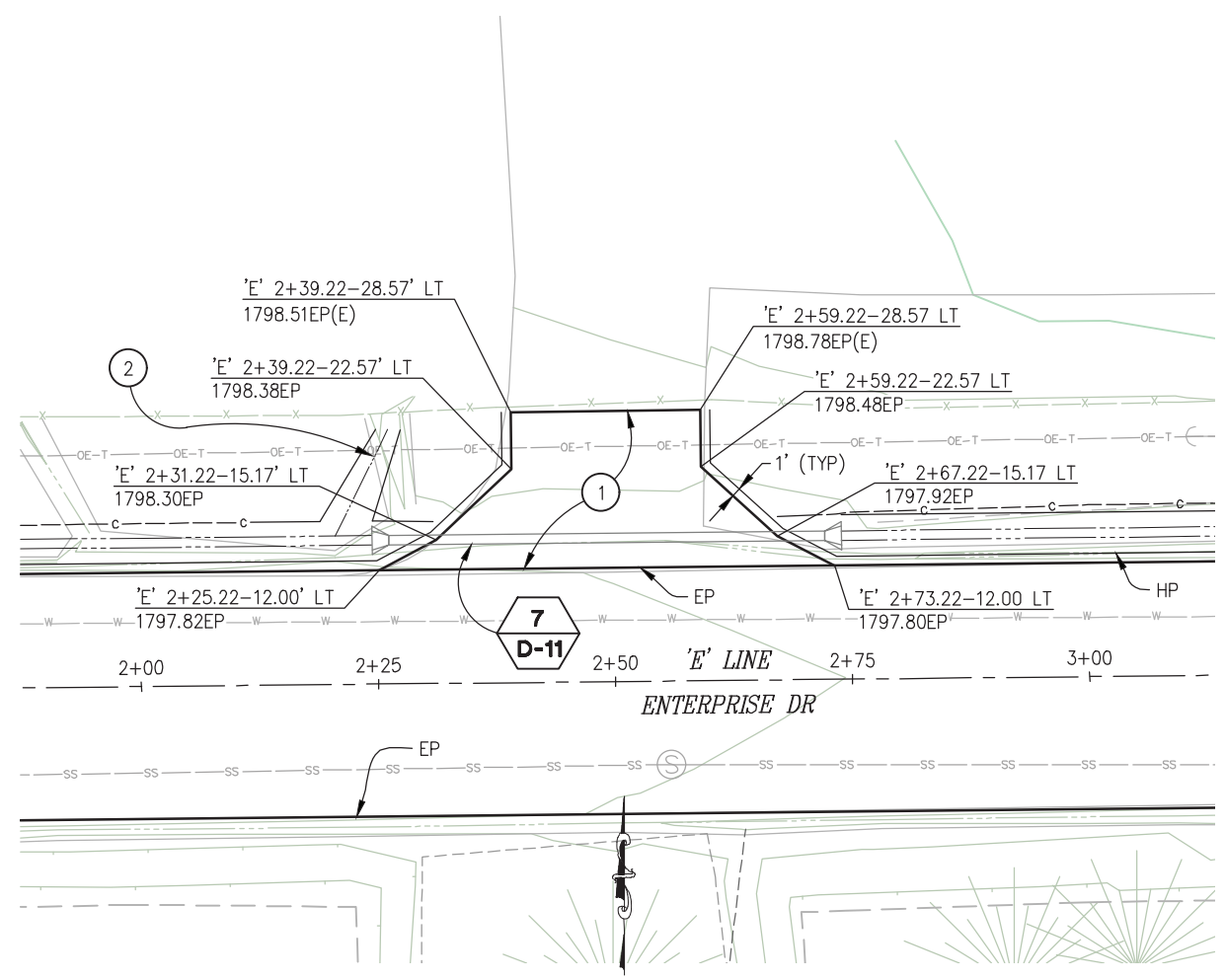


COUNTY OF EL DORADO
DEPARTMENT OF TRANSPORTATION

ENTERPRISE DR AND INDUSTRIAL DR
INTERSECTION IMPROVEMENTS

SHEET
C-2
 12 OF 65
 CONTRACT NO.
6286

ORIGINAL SCALE IS IN INCHES
 Drawing name: Z:\Civil 3D Projects\73365 73366 Enterprise-Industrial\CADD Files\Sheets\C-Sheets.dwg Layout Tab: C-3 Mar 29, 2023 - 5:50am smcvey
 FOR REDUCED PLANS
 2
 1
 0



DRIVEWAY AT 'E' 2+48.00 LT
 SCALE: 1"=10'

CONSTRUCTION NOTES:

- ① — 3" HMA (TYPE A) OVER 4" AB (CLASS 2)
- ② — GRADE AREA TO DRAIN

CONSTRUCTION DETAILS
 SCALE : AS SHOWN

REVISION	NUMBER	DATE	DESCRIPTION	BY



PREPARED UNDER THE SUPERVISION OF :

 REGISTERED CIVIL ENGINEER
 DATE: 4/18/23

DESIGNED: DWH
 DRAWN: SGM
 CHECKED: DWH
 DATE: 03/29/23
 ROAD NUMBER: 009



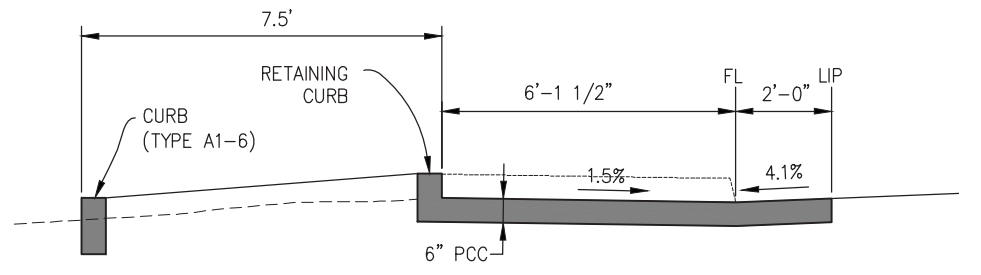
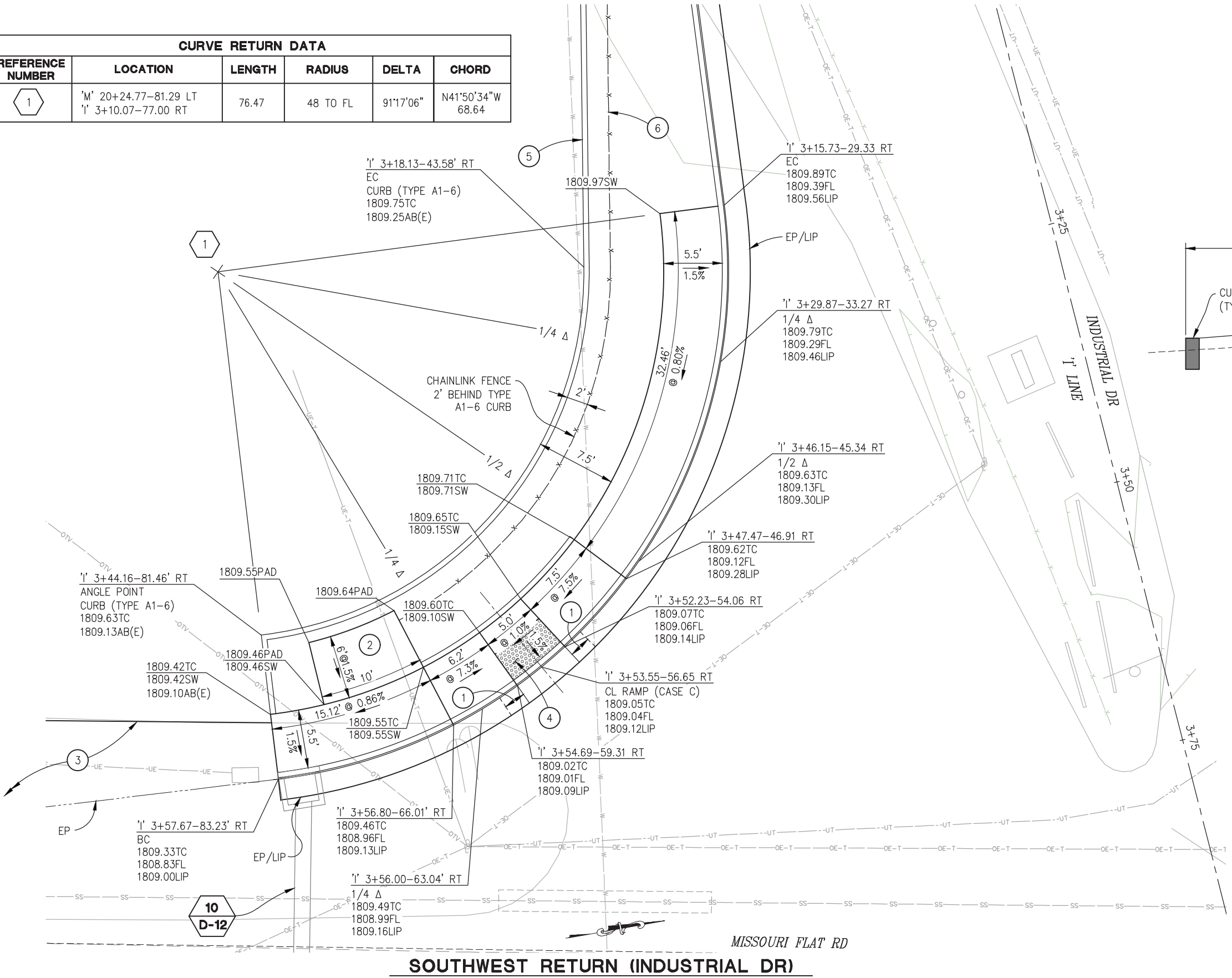
COUNTY OF EL DORADO
DEPARTMENT OF TRANSPORTATION

ENTERPRISE DR AND INDUSTRIAL DR
INTERSECTION IMPROVEMENTS

SHEET
C-3
 13 OF 65
 CONTRACT NO.
6286

ORIGINAL SCALE IS IN INCHES
 Drawing name: Z:\Civil 3D Projects\73365 Enterprise-Industrial\CADD Files\Sheets\C-Sheets.dwg Layout Tab: C-4 Mar 29, 2023 - 5:50am smcvey
 FOR REDUCED PLANS

CURVE RETURN DATA					
REFERENCE NUMBER	LOCATION	LENGTH	RADIUS	DELTA	CHORD
1	M' 20+24.77-81.29 LT I' 3+10.07-77.00 RT	76.47	48 TO FL	91°17'06"	N41°50'34"W 68.64



CENTERLINE OF CURB RAMP
NTS

GENERAL NOTES:

1. REFER TO CALTRANS STD PLAN A88A FOR CURB RAMP AND SIDEWALK DETAILS NOT SHOWN

CONSTRUCTION NOTES:

- ① — 2' GUTTER CROSS SLOPE TRANSITION, 4.1% AT EDGE OF RAMP TO STANDARD TYPE 2 CURB SLOPE AT TRANSITION END. (LOWER LIP OF GUTTER TO ACHIEVE DESIRED CROSS SLOPE)
- ② — SIGNAL EQUIPMENT PAD
- ③ — DWY, SEE SHT C-10
- ④ — DETECTABLE WARNING SURFACE
- ⑤ — CURB (TYPE A1-6), SEE SHT L-4 FOR CONTINUATION
- ⑥ — FENCE (TYPE CL), SEE SHT L-4 FOR CONTINUATION

SOUTHWEST RETURN (INDUSTRIAL DR)

SCALE: 1"=5'

CONSTRUCTION DETAILS
SCALE : AS SHOWN

REVISION	NUMBER	DATE	DESCRIPTION	BY



PREPARED UNDER THE SUPERVISION OF:

 REGISTERED CIVIL ENGINEER
 DATE: 4/18/23

DESIGNED: DWH
 DRAWN: SGM
 CHECKED: DWH
 DATE: 03/29/23
 ROAD NUMBER: 009



COUNTY OF EL DORADO
DEPARTMENT OF TRANSPORTATION

ENTERPRISE DR AND INDUSTRIAL DR
INTERSECTION IMPROVEMENTS

SHEET
C-4
14 OF 65
CONTRACT NO.
6286

ORIGINAL SCALE IS IN INCHES
 Drawing name: Z:\Civil_3D\Projects\73365 Enterprise-Industrial\CADD_Files\Sheets\C-Sheets.dwg Layout Tab: C-5 Mar 29, 2023 - 5:50am smcvey
 FOR REDUCED PLANS
 2
 1
 0

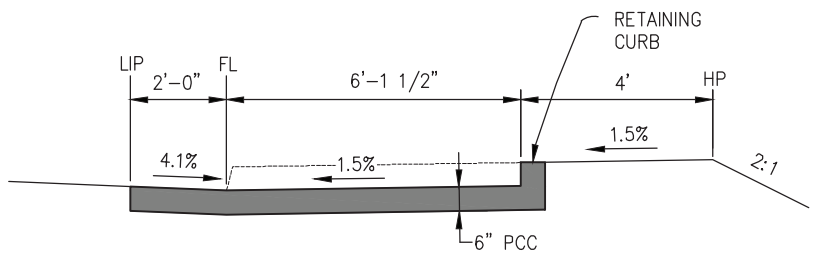
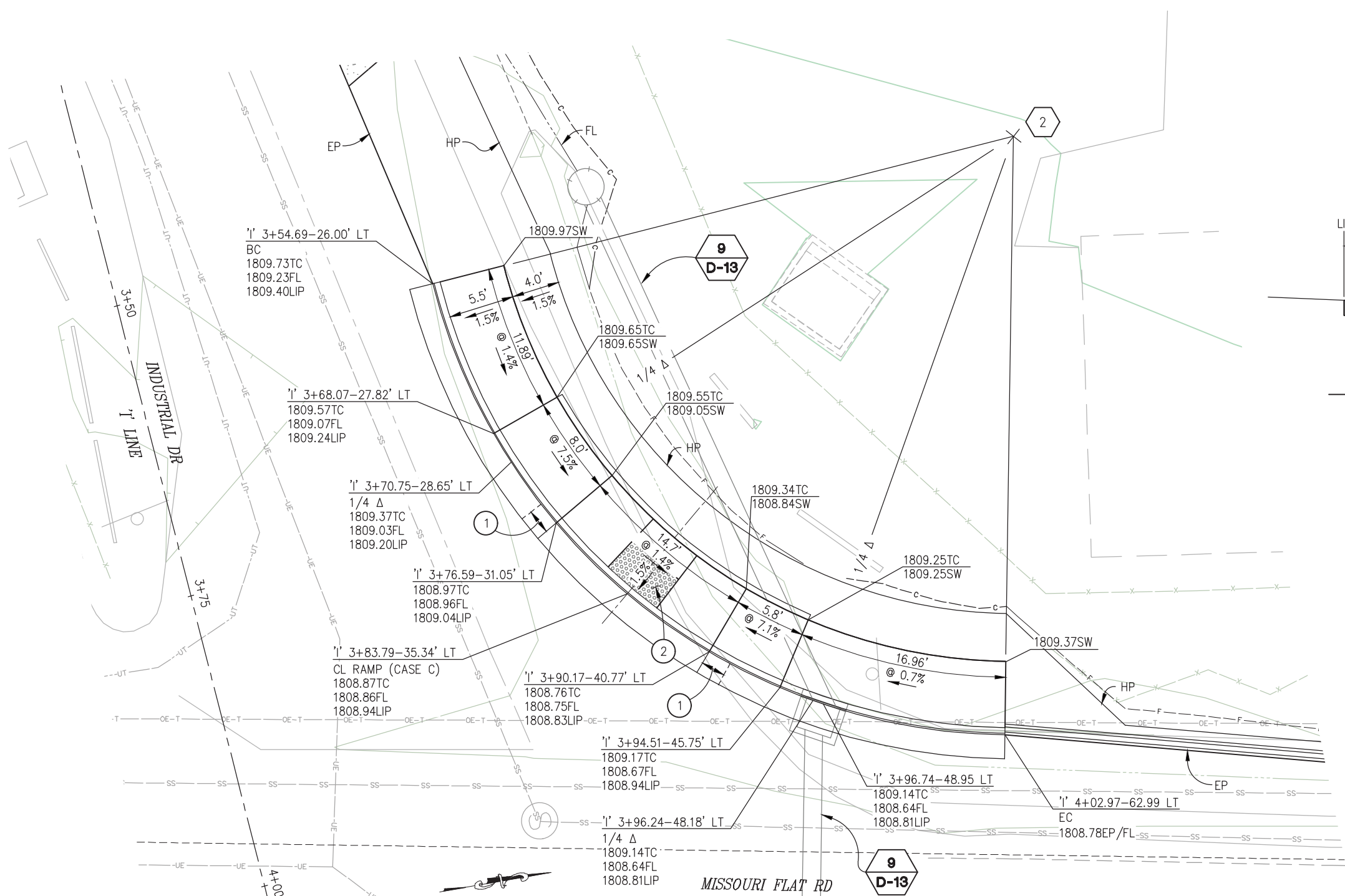
CURVE RETURN DATA					
REFERENCE NUMBER	LOCATION	LENGTH	RADIUS	DELTA	CHORD
2	'M' 21+84.11-78.00 LT 'I' 3+54.69-76.00 LT	65.38	50 TO FL	74°55'18"	N48°17'17"E 60.82

GENERAL NOTES:

1. REFER TO CALTRANS STD PLAN A88A FOR CURB RAMP AND SIDEWALK DETAILS NOT SHOWN

CONSTRUCTION NOTES:

- ① — 2' GUTTER CROSS SLOPE TRANSITION, 4.1% AT EDGE OF RAMP TO STANDARD TYPE 2 CURB SLOPE AT TRANSITION END. (LOWER LIP OF GUTTER TO ACHIEVE DESIRED CROSS SLOPE)
- ② — DETECTABLE WARNING SURFACE



NORTHWEST RETURN (INDUSTRIAL DR)
SCALE: 1"=5'

CONSTRUCTION DETAILS
SCALE : AS SHOWN



PREPARED UNDER THE SUPERVISION OF:

 REGISTERED CIVIL ENGINEER
 DATE: 4/18/23

DESIGNED: DWH
 DRAWN: SGM
 CHECKED: DWH
 DATE: 03/29/23
 ROAD NUMBER: 009

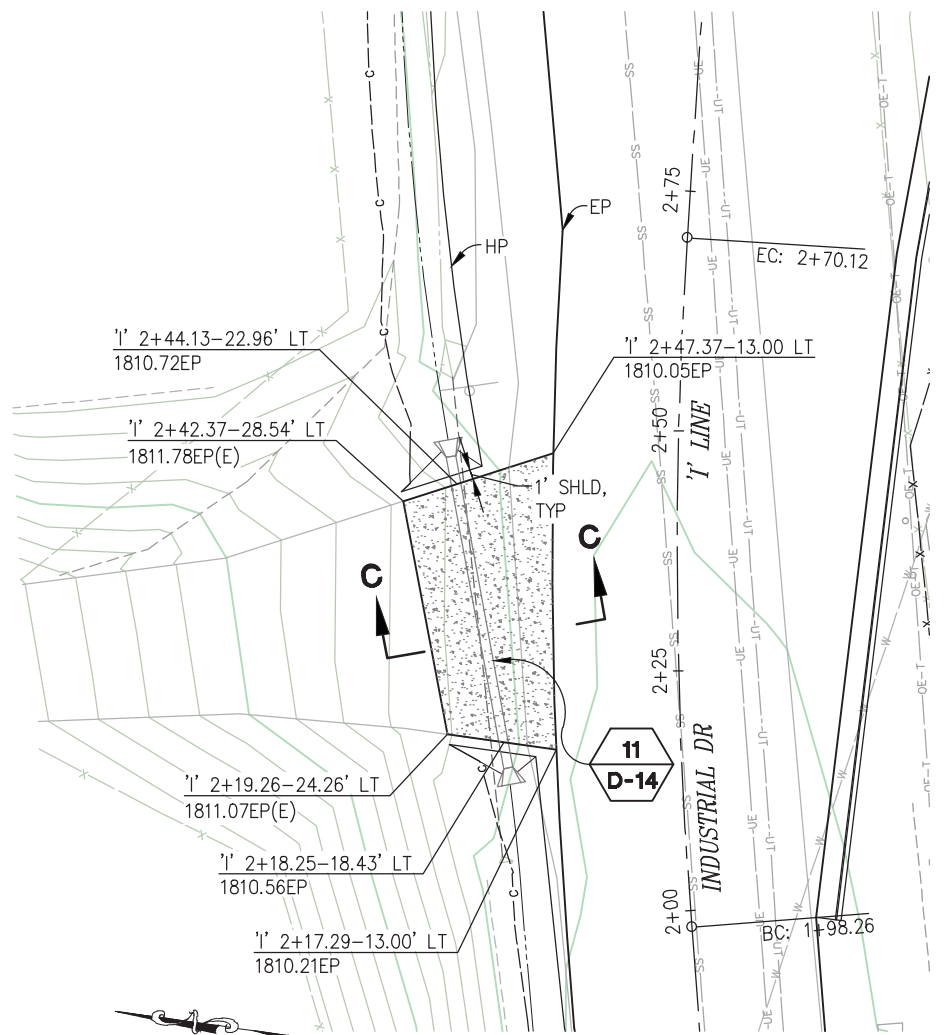


COUNTY OF EL DORADO
DEPARTMENT OF TRANSPORTATION

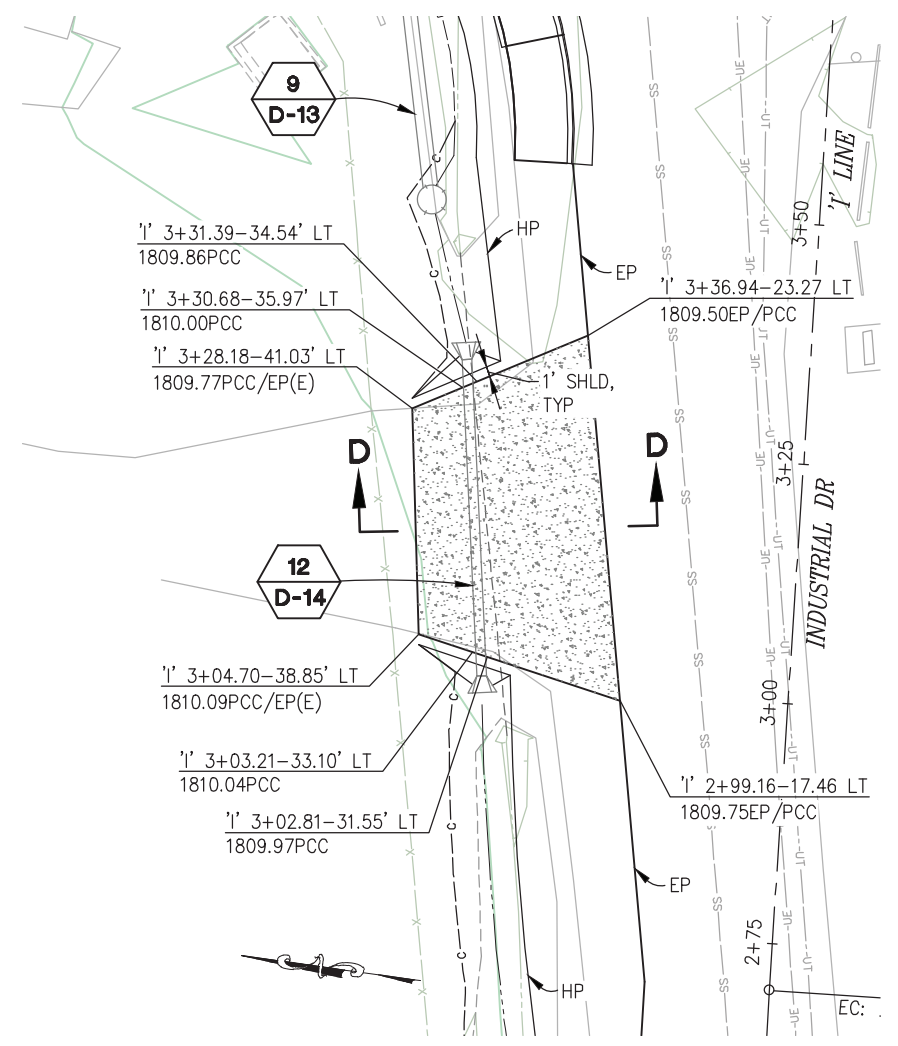
ENTERPRISE DR AND INDUSTRIAL DR
INTERSECTION IMPROVEMENTS

SHEET
C-5
15 OF 65
CONTRACT NO.
6286

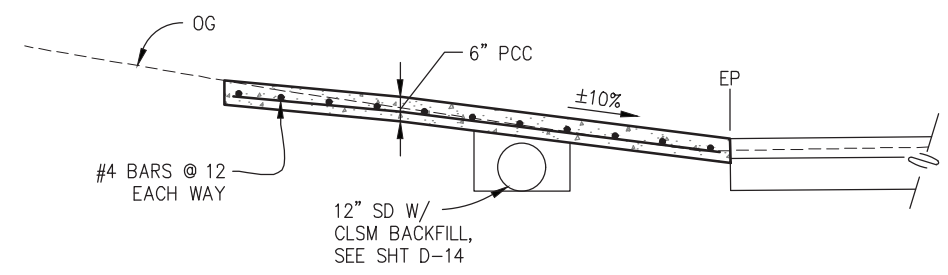
ORIGINAL SCALE IS IN INCHES
 Drawing name: Z:\Civil_3D\Projects\73365\73366 Enterprise-Industrial\CADD_Files\Sheets\C-Sheets.dwg Layout Tab: C-6 Mar 29, 2023 - 5:51am smcvey
 FOR REDUCED PLANS



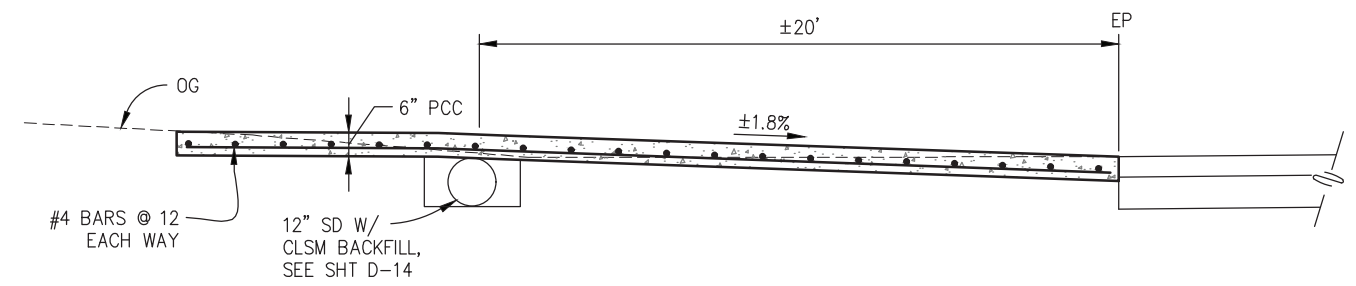
DWY AT 'I' 2+33 LT
SCALE: 1"=10'



DWY AT 'I' 3+18 LT
SCALE: 1"=10'



SECTION C-C
NTS



SECTION D-D
NTS

CONSTRUCTION DETAILS
SCALE : AS SHOWN



PREPARED UNDER THE SUPERVISION OF:
[Signature]
 REGISTERED CIVIL ENGINEER
 DATE: 4/18/23

DESIGNED: DWH
 DRAWN: SGM
 CHECKED: DWH
 DATE: 03/29/23
 ROAD NUMBER: 009

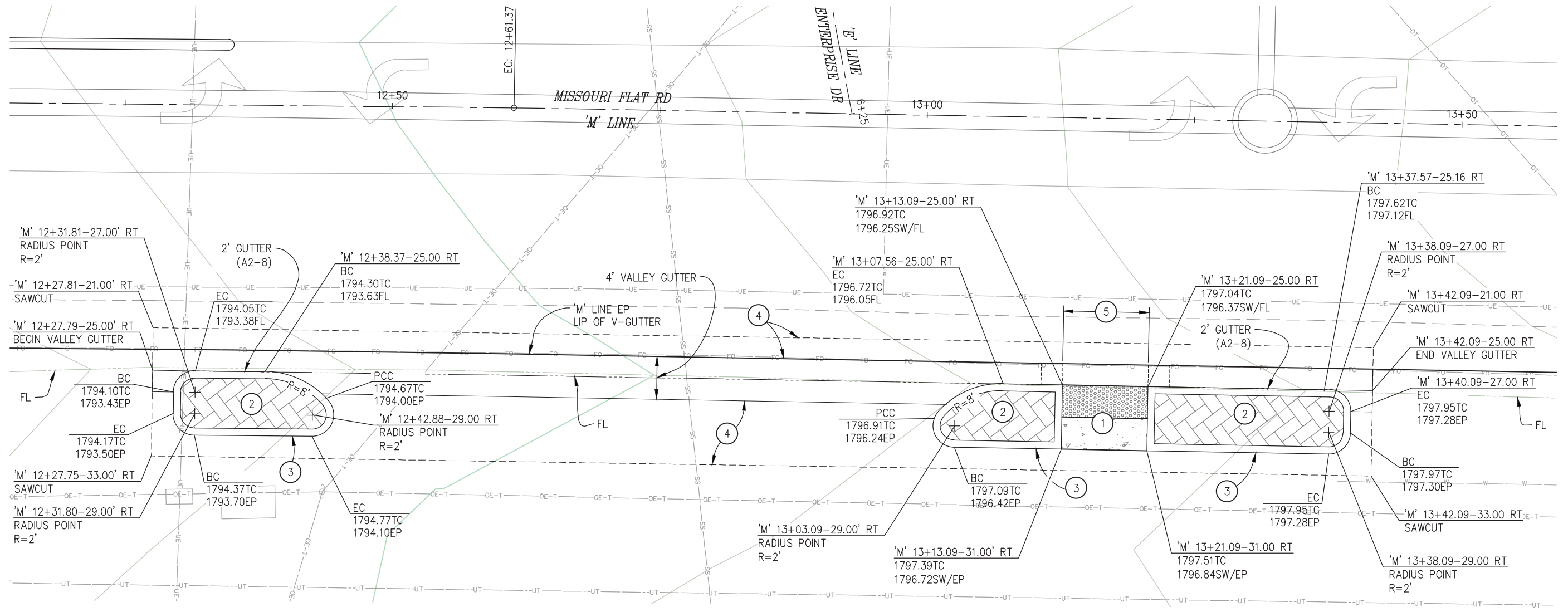


COUNTY OF EL DORADO
DEPARTMENT OF TRANSPORTATION

ENTERPRISE DR AND INDUSTRIAL DR
INTERSECTION IMPROVEMENTS

SHEET
C-6
 16 OF 65
 CONTRACT NO.
6286

ORIGINAL SCALE IS IN INCHES
 Drawing name: Z:\Civil 3D Projects\73365 73366 Enterprise-Industrial\CADD Files\Sheets\C-Sheets.dwg Layout Tab: C-7 Mar 29, 2023 - 5:51am smcvey
 FOR REDUCED PLANS



IDLE WHEELS RV CENTER ENTRANCE

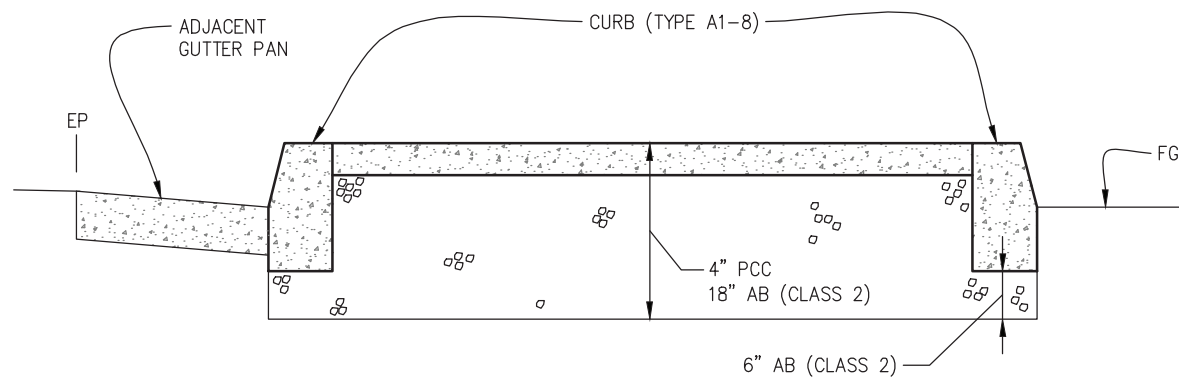
SCALE: 1"=5'

GENERAL NOTES:

- REFER TO CALTRANS STD PLAN A88A FOR CURB RAMP AND SIDEWALK DETAILS NOT SHOWN

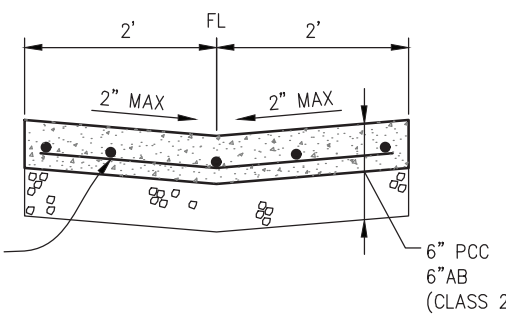
CONSTRUCTION NOTES:

- 4" PCC AND DETECTABLE WARNING SURFACE
- 4" PCC, STAMPED HERRING BONE PATTERN, RED STAIN (FED STD 21105)
- CURB (TYPE A1-8)
- 3" HMA (TYPE A)
4" AB (CLASS 2)
- GUTTER PAN SLOPE SHALL NOT EXCEED 1" OF DEPTH FOR EACH 2' OF WIDTH THROUGH PEDESTRIAN LANDING (DEPRESS GUTTER PAN AT EDGE OF PAVEMENT TO ACHIEVE CROSS SLOPE OF 4.1%)



CURBED ISLAND DETAIL

NTS



VALLEY GUTTER

NTS

**CONSTRUCTION DETAILS
SCALE : AS SHOWN**



PREPARED UNDER THE SUPERVISION OF :
 [Signature]
 REGISTERED CIVIL ENGINEER
 4/18/23

DESIGNED: DWH
 DRAWN: SGM
 CHECKED: DWH
 DATE: 03/29/23
 ROAD NUMBER: 009



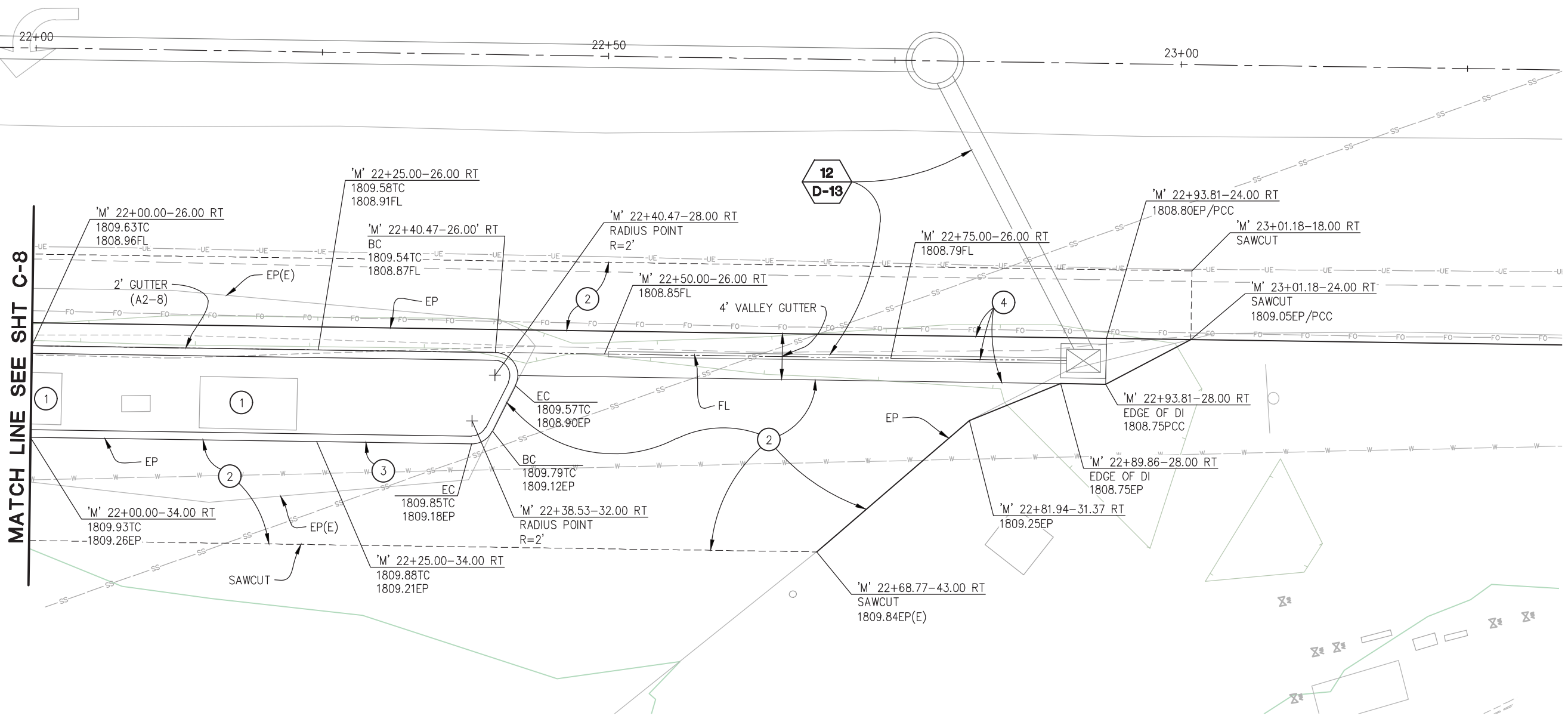
**COUNTY OF EL DORADO
 DEPARTMENT OF TRANSPORTATION**

**ENTERPRISE DR AND INDUSTRIAL DR
 INTERSECTION IMPROVEMENTS**

SHEET
C-7
 17 OF 65
 CONTRACT NO.
6286

ORIGINAL SCALE IS IN INCHES
 Drawing name: Z:\Civil_3D\Projects\73365_73366 Enterprise-Industrial\CADD_Files\Sheets\C-Sheets.dwg Layout Tab: C-9 Mar 29, 2023 - 5:52am smcvey
 FOR REDUCED PLANS

MATCH LINE SEE SHT C-8



TRUE VALUE HARDWARE EXIT
 SCALE: 1"=5'

CONSTRUCTION NOTES:

- ① — EXISTING ELECTRICAL BOXES, PROTECT IN PLACE
- ② — 3" HMA (TYPE A)
4" AB (CLASS 2)
- ③ — CURB (TYPE A1-8)
- ④ — PCC VALLEY GUTTER AND SLOTTED DRAIN, SEE SHT D-13

CONSTRUCTION DETAILS
SCALE : AS SHOWN

REVISION	NUMBER	DATE	DESCRIPTION	BY



PREPARED UNDER THE SUPERVISION OF :

 REGISTERED CIVIL ENGINEER
 DATE: 4/18/23

DESIGNED: DWH	DRAWN: SGM
CHECKED: DWH	DATE: 03/29/23
ROAD NUMBER: 009	

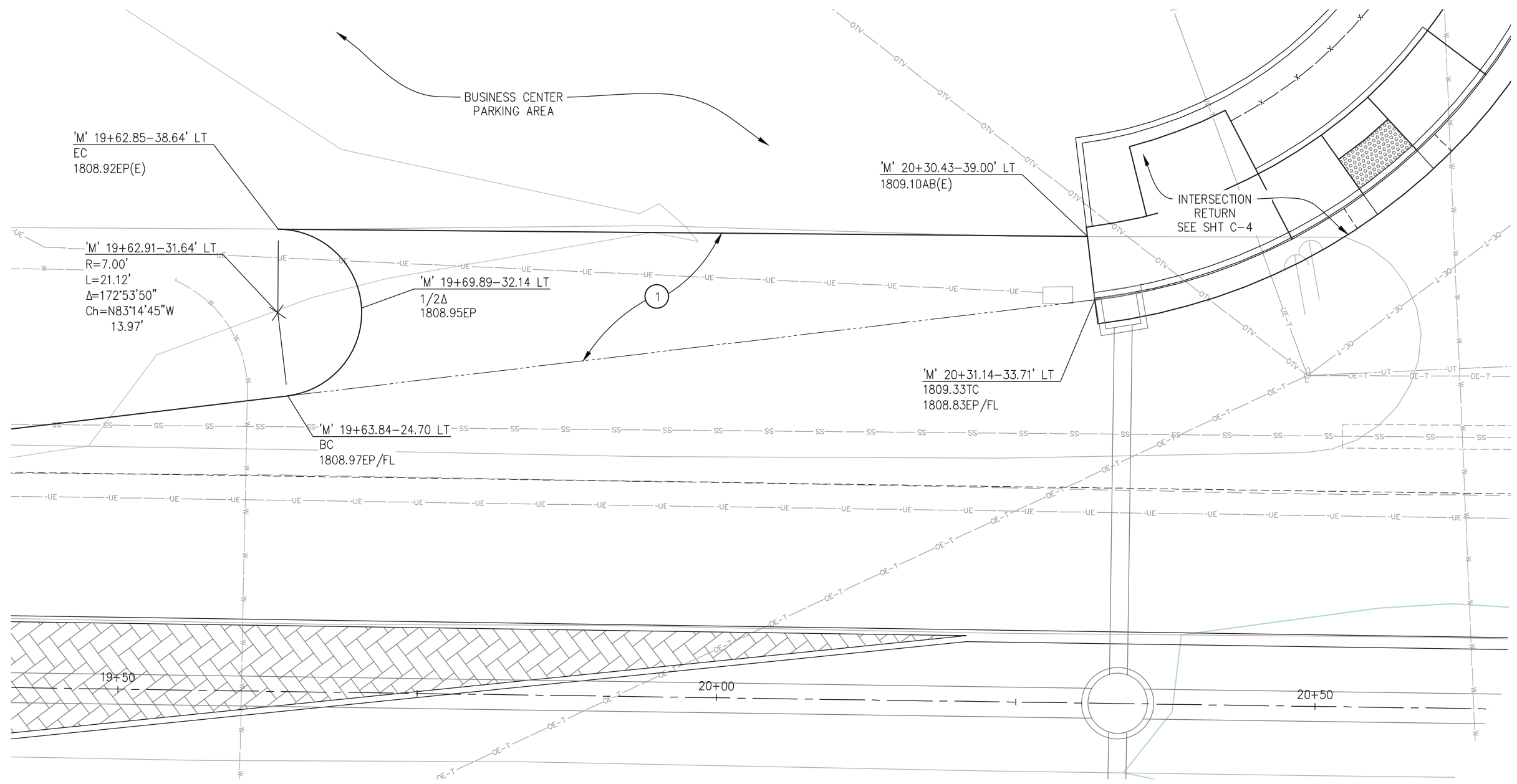


COUNTY OF EL DORADO
DEPARTMENT OF TRANSPORTATION

ENTERPRISE DR AND INDUSTRIAL DR
INTERSECTION IMPROVEMENTS

SHEET
C-9
 19 OF 65
 CONTRACT NO.
6286

ORIGINAL SCALE IS IN INCHES
 Drawing name: Z:\Civil 3D Projects\73365 73366 Enterprise-Industrial\CADD Files\Sheets\C-Sheets.dwg Layout Tab: C-10 Mar 29, 2023 5:52am smcvey
 FOR REDUCED PLANS
 2
 1
 0

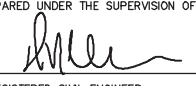



BUSINESS CENTER DRIVEWAY
 SCALE: 1"=5'

CONSTRUCTION NOTES:
 ① — 3" HMA (TYPE A)
 4" AB (CLASS 2)

REVISION	NUMBER	DATE	DESCRIPTION	BY



PREPARED UNDER THE SUPERVISION OF :

 REGISTERED CIVIL ENGINEER
 DATE: 4/18/23

DESIGNED: DWH
 CHECKED: DWH
 ROAD NUMBER: 009
 DRAWN: SGM
 DATE: 03/29/23

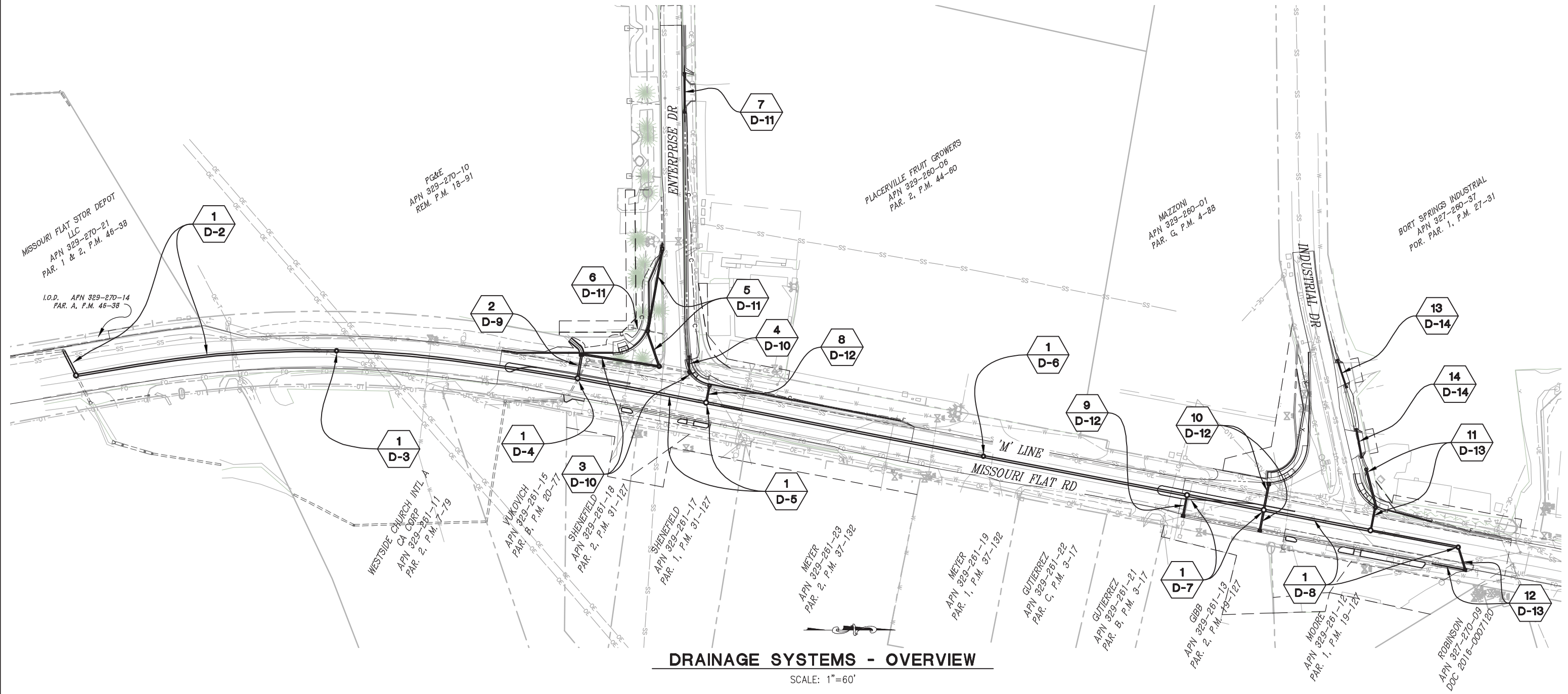


COUNTY OF EL DORADO
DEPARTMENT OF TRANSPORTATION

ENTERPRISE DR AND INDUSTRIAL DR
INTERSECTION IMPROVEMENTS

SHEET
C-10
 20 OF 65
 CONTRACT NO.
6286

ORIGINAL SCALE IS IN INCHES
 Drawing name: Z:\Civil_3D\Projects\73365 Enterprise-Industrial\CADD Files\Sheets\0-Sheets.dwg Layout Tab: D-1 Mar 29, 2023 - 5:55am smcvey
 FOR REDUCED PLANS



DRAINAGE SYSTEMS - OVERVIEW

SCALE: 1"=60'

LEGEND

- STORM DRAINAGE SYSTEM NUMBER
- DETAIL SHEET NUMBER

THIS SHEET ACCURATE FOR DRAINAGE WORK ONLY

**DRAINAGE SYSTEMS
SCALE : AS SHOWN**

REVISION	NUMBER	DATE	DESCRIPTION	BY



PREPARED UNDER THE SUPERVISION OF :

 REGISTERED CIVIL ENGINEER
 DATE: 4/18/23

DESIGNED: DWH
 DRAWN: SGM
 CHECKED: DWH
 DATE: 03/29/23
 ROAD NUMBER: 009

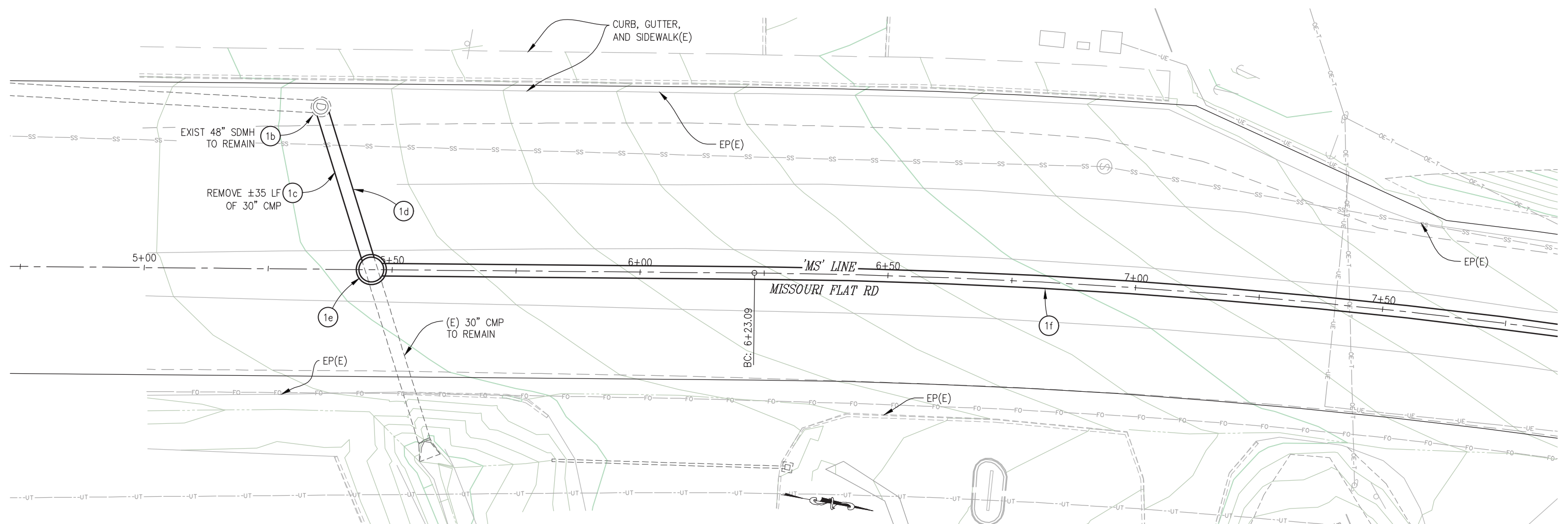


**COUNTY OF EL DORADO
DEPARTMENT OF TRANSPORTATION**

**ENTERPRISE DR AND INDUSTRIAL DR
INTERSECTION IMPROVEMENTS**

SHEET
D-1
 21 OF 65
 CONTRACT NO.
6286

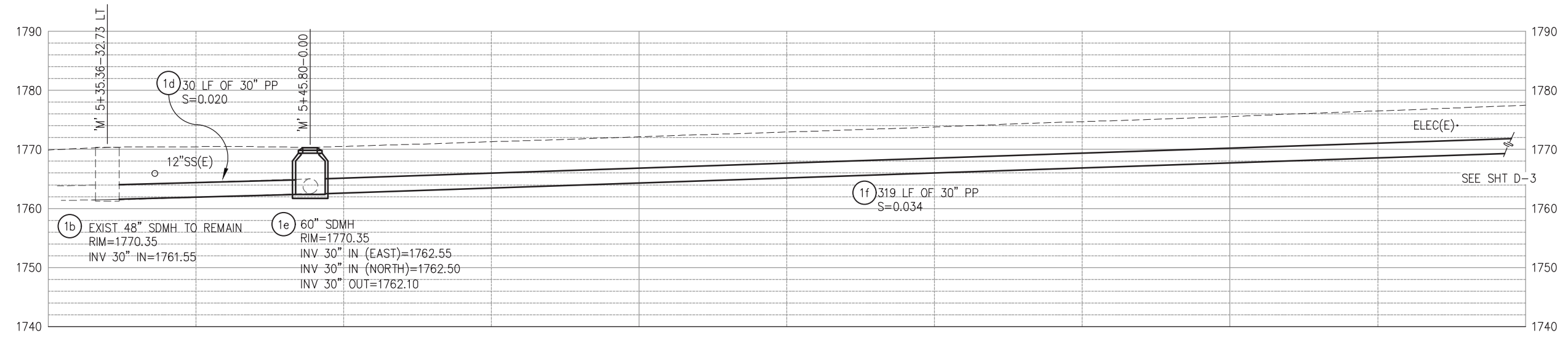
ORIGINAL SCALE IS IN INCHES
 Drawing name: Z:\Civil_3D\Projects\73365_73366 Enterprise-Industrial\CADD_Files\Sheets\0-Sheets.dwg Layout Tab: D-2 Mar 29, 2023 - 5:55am smcvey
 FOR REDUCED PLANS



SYSTEM 'SD1' - PLAN

SCALE: 1"=10'

NOTE: (1a) NOT USED



SYSTEM 'SD1' - PROFILE

SCALE: 1"=10' H,V

THIS SHEET ACCURATE FOR DRAINAGE WORK ONLY

DRAINAGE PLAN & PROFILE
SCALE : AS SHOWN

REVISION	NUMBER	DATE	DESCRIPTION	BY



PREPARED UNDER THE SUPERVISION OF:

 REGISTERED CIVIL ENGINEER
 DATE: 4/18/23

DESIGNED: DWH
 DRAWN: SGM
 CHECKED: DWH
 DATE: 03/29/23
 ROAD NUMBER: 009

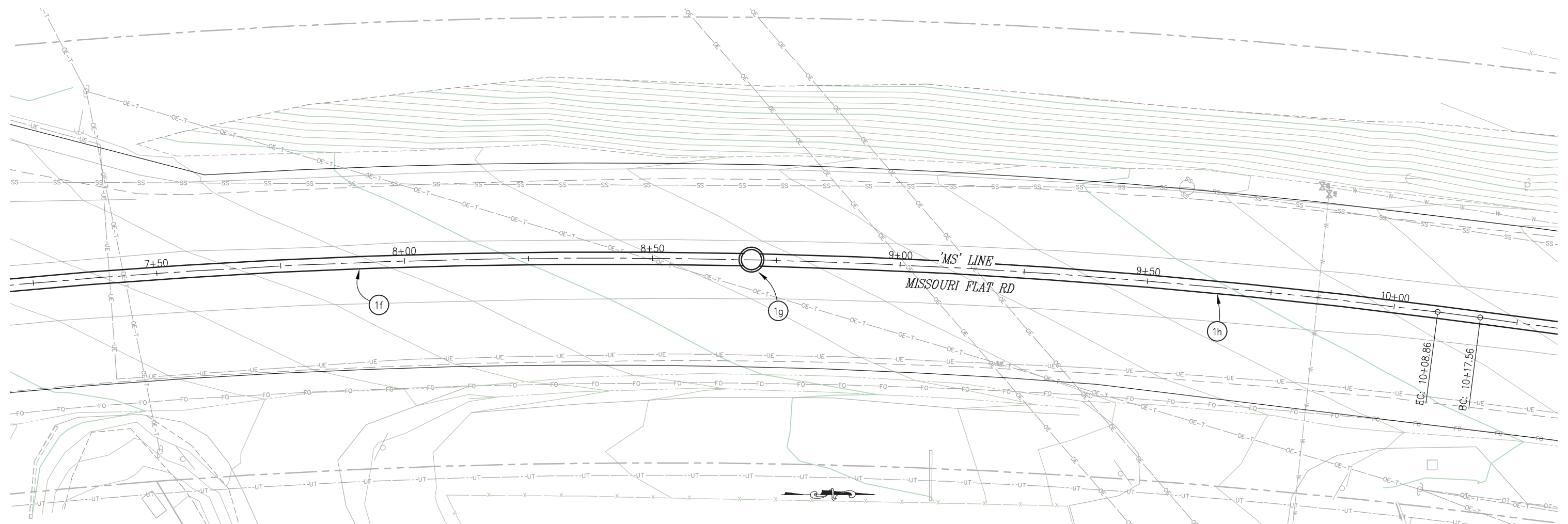


COUNTY OF EL DORADO
DEPARTMENT OF TRANSPORTATION

ENTERPRISE DR AND INDUSTRIAL DR
INTERSECTION IMPROVEMENTS

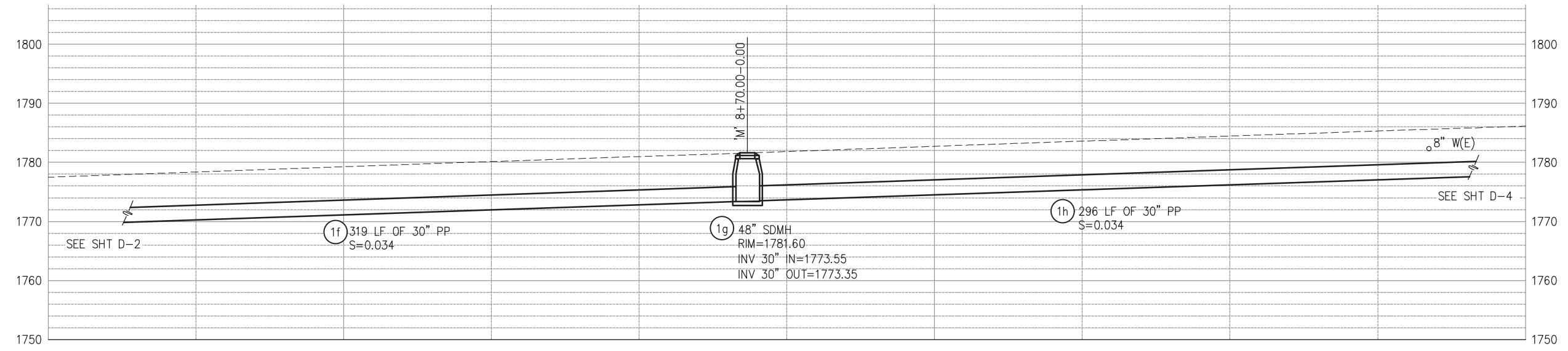
SHEET
D-2
22 OF 65
CONTRACT NO.
6286

ORIGINAL SCALE IS IN INCHES
 Drawing name: Z:\Civil_3D\Projects\73566 Enterprise-Industrial\CADD_Files\Sheets\0-Sheets.dwg Layout Tab: D-3 Mar 29, 2023 - 5:56am smcvey
 FOR REDUCED PLANS
 2
 1
 0



SYSTEM 'SD1' - PLAN

SCALE: 1"=10'



SYSTEM 'SD1' - PROFILE

SCALE: 1"=10' H,V

THIS SHEET ACCURATE FOR DRAINAGE WORK ONLY **DRAINAGE PLAN & PROFILE**
SCALE : AS SHOWN

REVISION	NUMBER	DATE	DESCRIPTION	BY



PREPARED UNDER THE SUPERVISION OF:
[Signature]
 REGISTERED CIVIL ENGINEER
 DATE: 4/18/23

DESIGNED: DWH
 DRAWN: SGM
 CHECKED: DWH
 DATE: 03/29/23
 ROAD NUMBER: 009

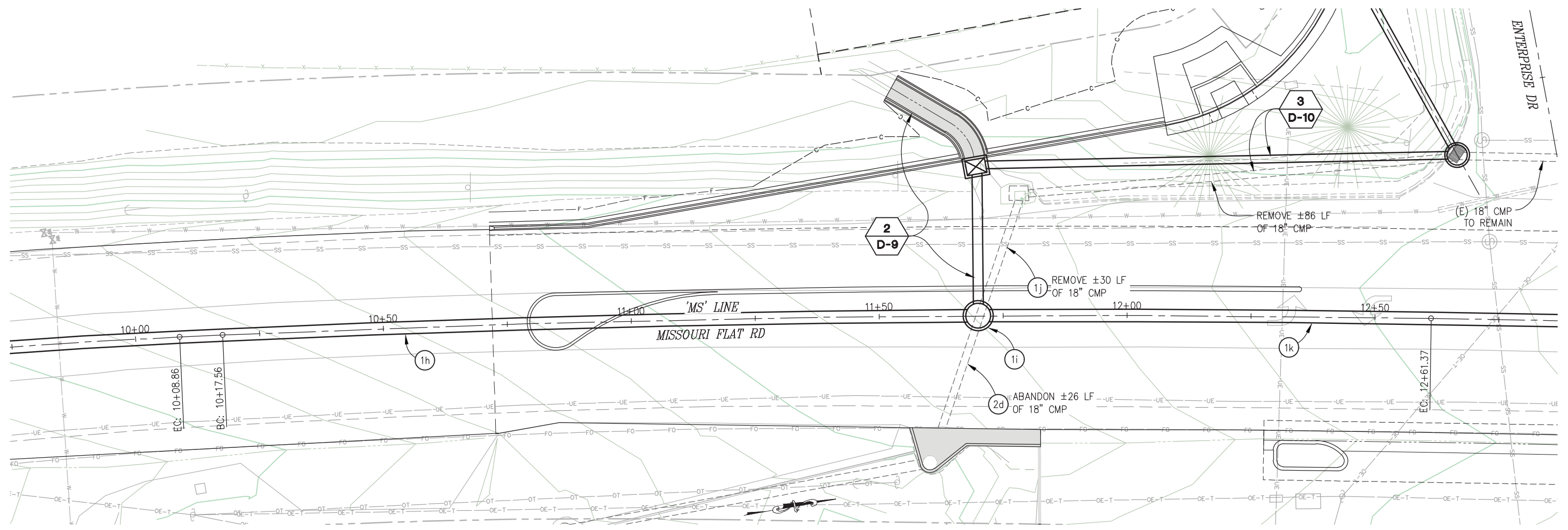


COUNTY OF EL DORADO
DEPARTMENT OF TRANSPORTATION

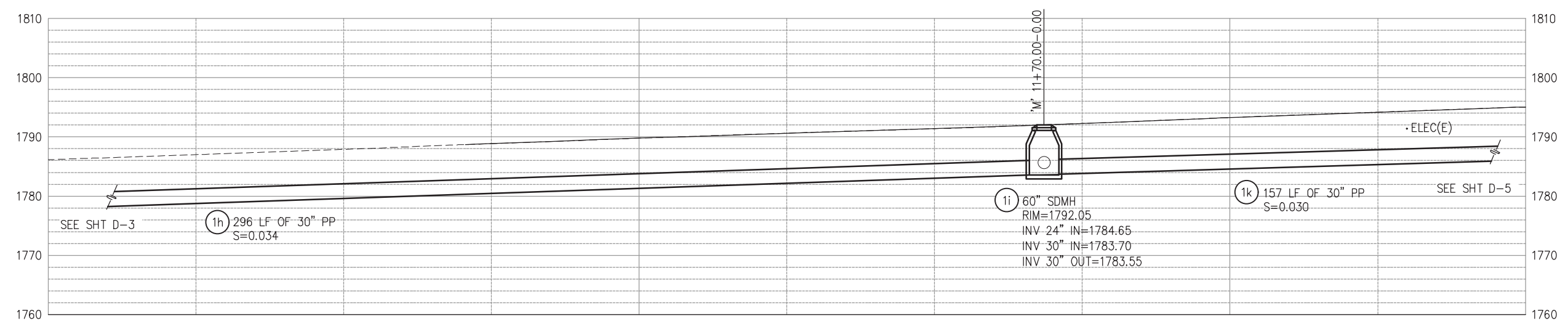
ENTERPRISE DR AND INDUSTRIAL DR
INTERSECTION IMPROVEMENTS

SHEET
D-3
 23 OF 65
 CONTRACT NO.
6286

ORIGINAL SCALE IS IN INCHES
 Drawing name: Z:\Civil_3D\Projects\73365\73366 Enterprise-Industrial\CADD Files\Sheets\D-Sheets.dwg Layout Tab: D-4 Mar 29, 2023 - 5:56am smcvey
 FOR REDUCED PLANS
 REVISION



SYSTEM 'SD1' - PLAN
SCALE: 1"=10'



SYSTEM 'SD1' - PROFILE
SCALE: 1"=10' H,V

THIS SHEET ACCURATE FOR DRAINAGE WORK ONLY
DRAINAGE PLAN & PROFILE
SCALE : AS SHOWN

REVISION	NUMBER	DATE	DESCRIPTION	BY



PREPARED UNDER THE SUPERVISION OF :

 REGISTERED CIVIL ENGINEER
 DATE: 4/18/23

DESIGNED: DWH
 DRAWN: SGM
 CHECKED: DWH
 DATE: 03/29/23
 ROAD NUMBER: 009

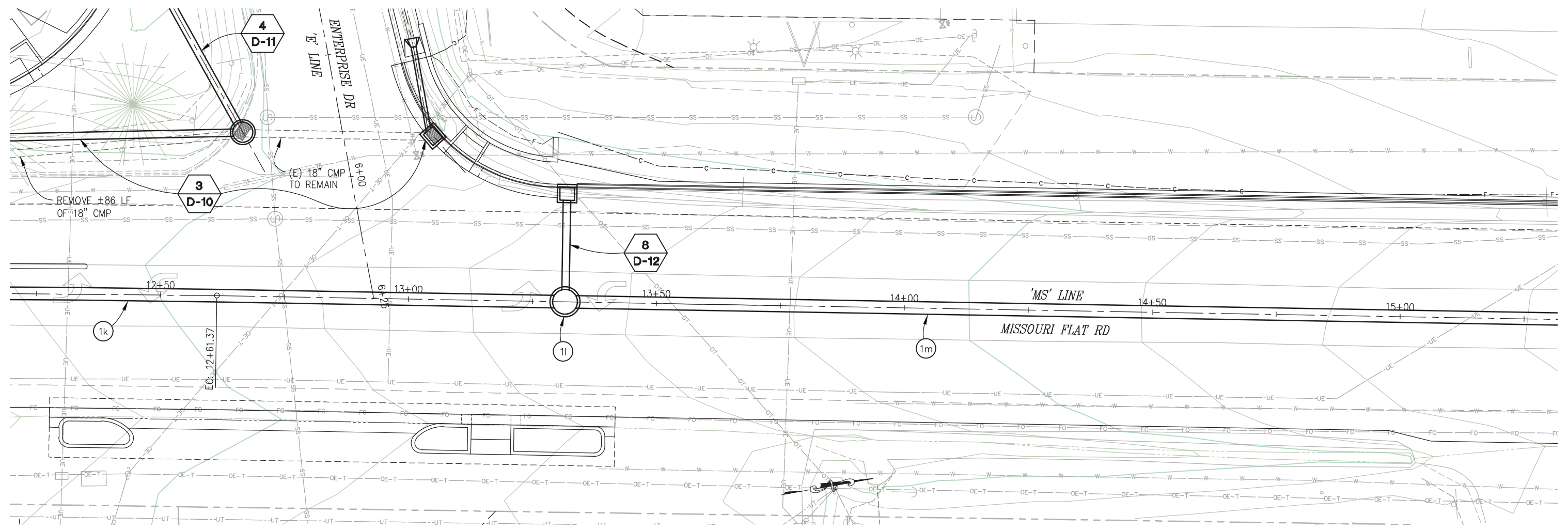


COUNTY OF EL DORADO
DEPARTMENT OF TRANSPORTATION

ENTERPRISE DR AND INDUSTRIAL DR
INTERSECTION IMPROVEMENTS

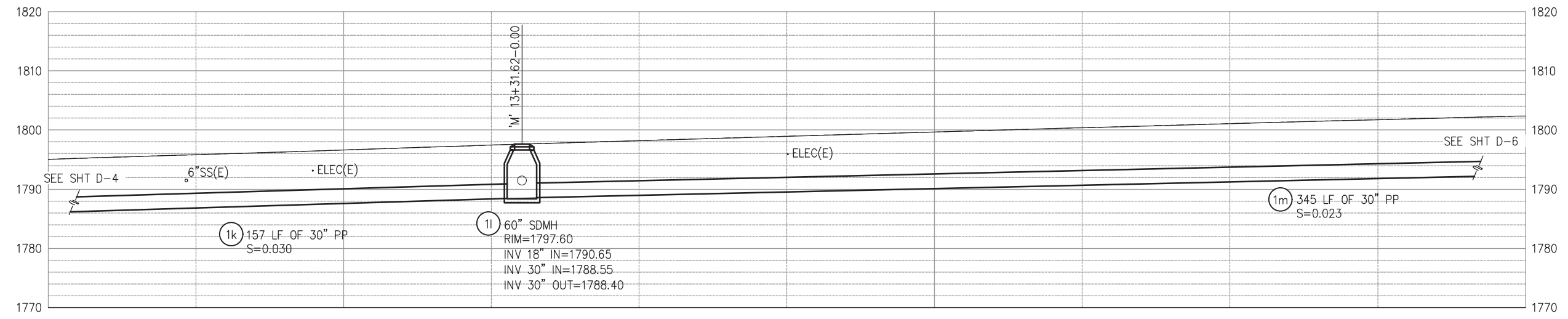
SHEET
D-4
 24 OF 65
 CONTRACT NO.
6286

ORIGINAL SCALE IS IN INCHES
 Drawing name: Z:\Civil_3D\Projects\73365\73366 Enterprise-Industrial\CADD Files\Sheets\D-Sheets.dwg Layout Tab: D-5 Mar 29, 2023 - 5:57am smcvey
 FOR REDUCED PLANS
 REVISION
 NUMBER DATE DESCRIPTION BY



SYSTEM 'SD1' - PLAN

SCALE: 1"=10'



SYSTEM 'SD1' - PROFILE

SCALE: 1"=10' H,V

THIS SHEET ACCURATE FOR DRAINAGE WORK ONLY

DRAINAGE PLAN & PROFILE
SCALE : AS SHOWN



PREPARED UNDER THE SUPERVISION OF:

 REGISTERED CIVIL ENGINEER
 DATE: 4/18/23

DESIGNED: DWH
 DRAWN: SGM
 CHECKED: DWH
 DATE: 03/29/23
 ROAD NUMBER: 009

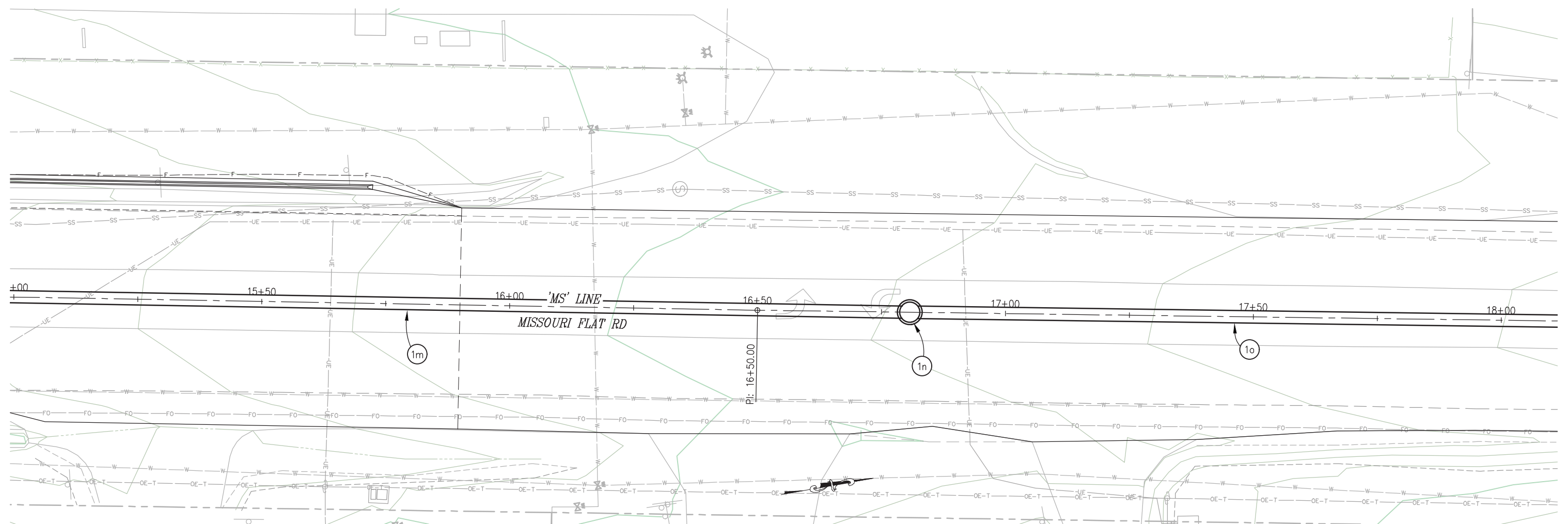


COUNTY OF EL DORADO
DEPARTMENT OF TRANSPORTATION

ENTERPRISE DR AND INDUSTRIAL DR
INTERSECTION IMPROVEMENTS

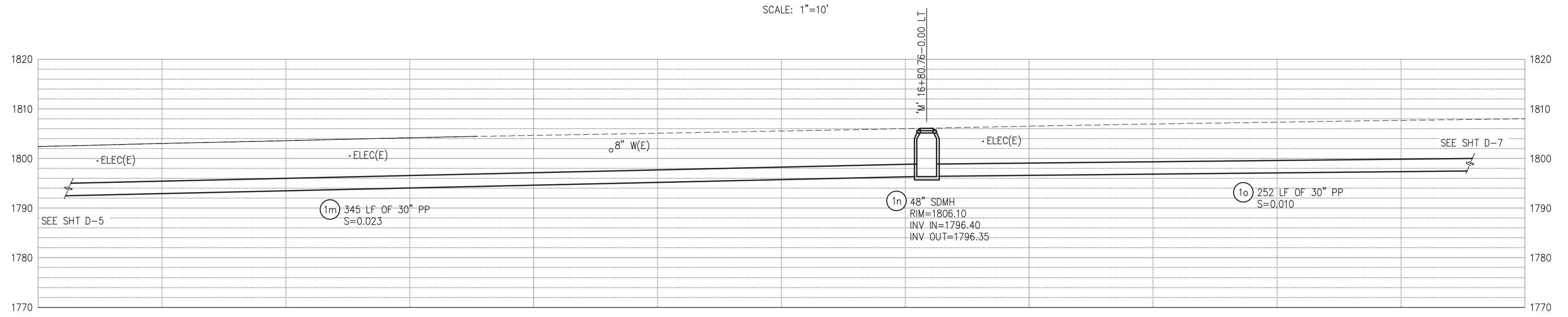
SHEET
D-5
 25 OF 65
 CONTRACT NO.
6286

ORIGINAL SCALE IS IN INCHES
 Drawing name: Z:\Civil_3D\Projects\73365\73366 Enterprise-Industrial\CADD_Files\Sheets\D-Sheets.dwg Layout Tab: D-6 Mar 29, 2023 - 5:57am smcvey
 FOR REDUCED PLANS
 2
 1
 0



SYSTEM 'SD1' - PLAN

SCALE: 1"=10'



SYSTEM 'SD1' - PROFILE

SCALE: 1"=10' H,V

THIS SHEET ACCURATE FOR DRAINAGE WORK ONLY **DRAINAGE PLAN & PROFILE**
SCALE : AS SHOWN

REVISION	NUMBER	DATE	DESCRIPTION	BY



PREPARED UNDER THE SUPERVISION OF :
[Signature]
 REGISTERED CIVIL ENGINEER
 DATE: 4/18/23

DESIGNED: DWH
 DRAWN: SGM
 CHECKED: DWH
 DATE: 03/29/23
 ROAD NUMBER: 009

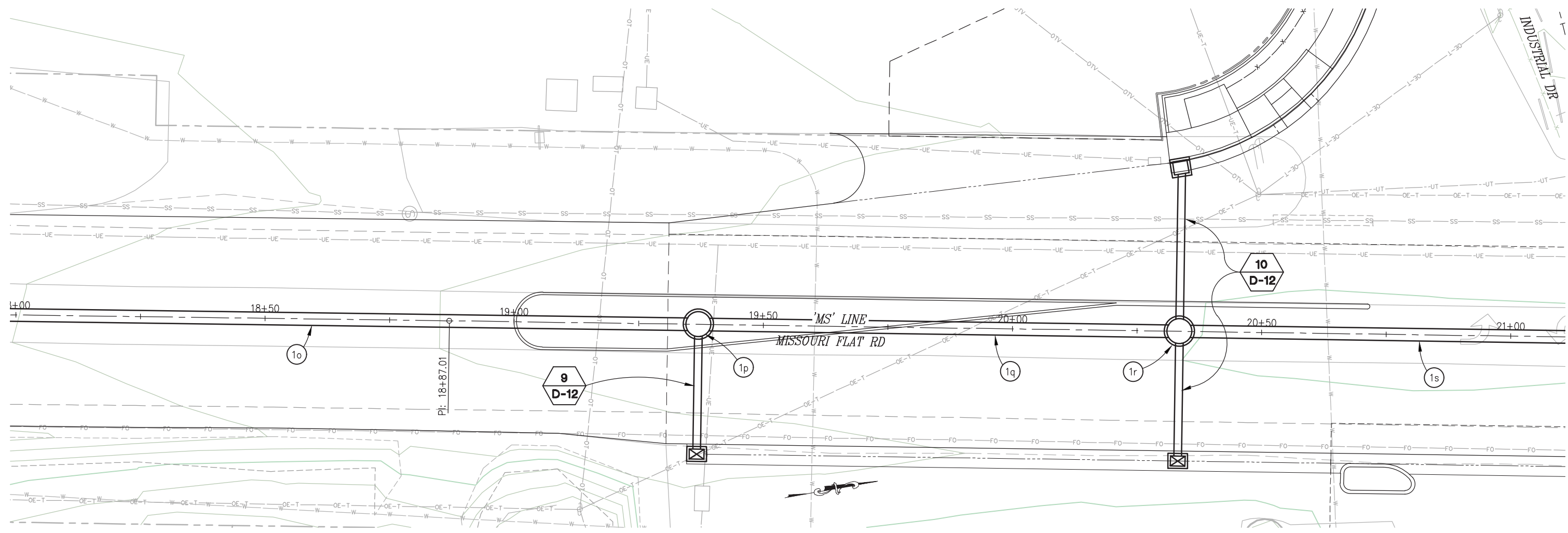


COUNTY OF EL DORADO
DEPARTMENT OF TRANSPORTATION

ENTERPRISE DR AND INDUSTRIAL DR
INTERSECTION IMPROVEMENTS

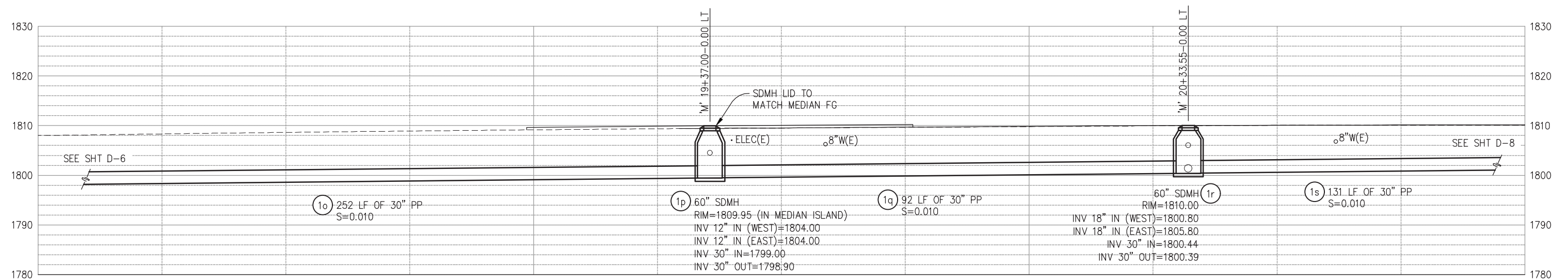
SHEET
D-6
 26 OF 65
 CONTRACT NO.
6286

ORIGINAL SCALE IS IN INCHES
 Drawing name: Z:\Civil_3D\Projects\73366 Enterprise-Industrial\CADD_Files\Sheets\0-Sheets.dwg Layout Tab: D-7 Mar 29, 2023 - 5:57am smcvey
 FOR REDUCED PLANS
 2
 1
 0



SYSTEM 'SD1' - PLAN

SCALE: 1"=10'



SYSTEM 'SD1' - PROFILE

SCALE: 1"=10' H,V

THIS SHEET ACCURATE FOR DRAINAGE WORK ONLY **DRAINAGE PLAN & PROFILE**
SCALE : AS SHOWN

REVISION	NUMBER	DATE	DESCRIPTION	BY



PREPARED UNDER THE SUPERVISION OF :

 REGISTERED CIVIL ENGINEER
 DATE: 4/18/23

DESIGNED: DWH
 DRAWN: SGM
 CHECKED: DWH
 DATE: 03/29/23
 ROAD NUMBER: 009

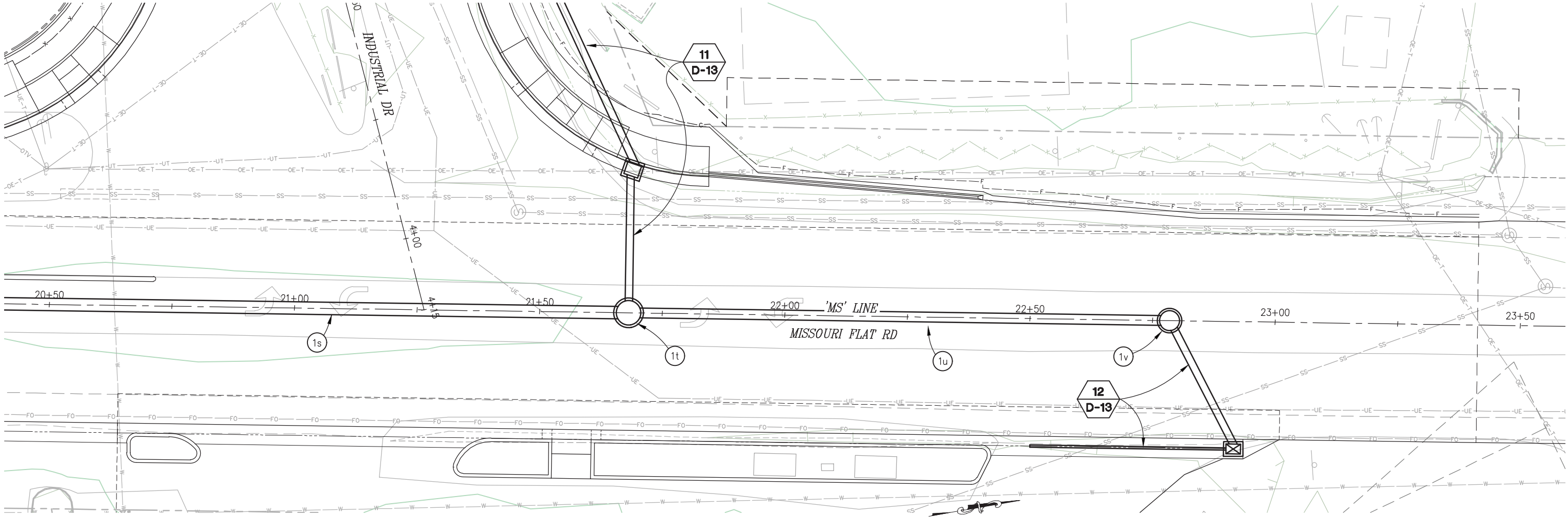


COUNTY OF EL DORADO
DEPARTMENT OF TRANSPORTATION

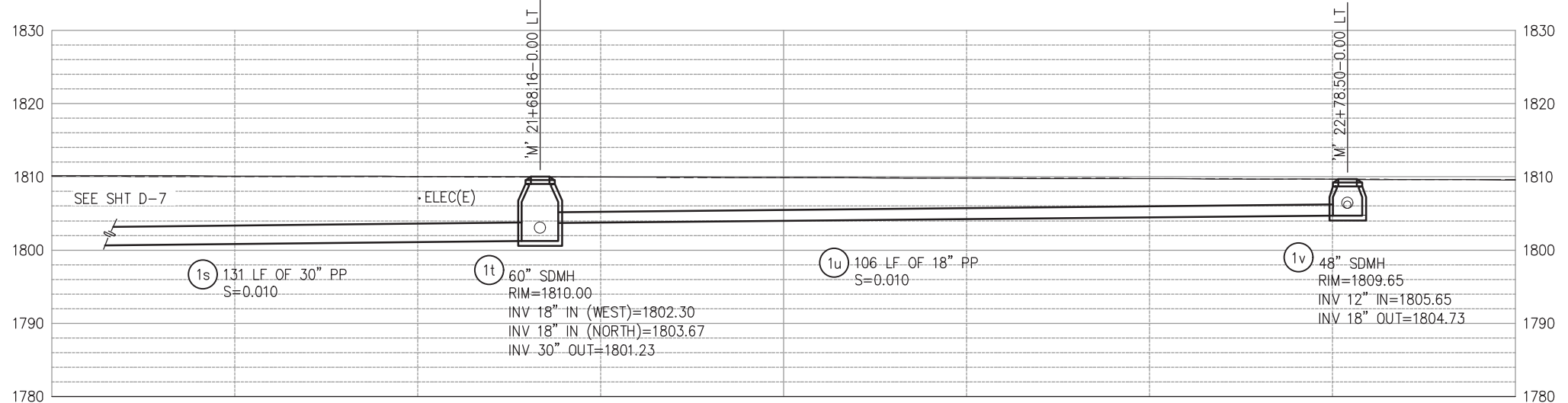
ENTERPRISE DR AND INDUSTRIAL DR
INTERSECTION IMPROVEMENTS

SHEET
D-7
 27 OF 65
 CONTRACT NO.
6286

ORIGINAL SCALE IS IN INCHES
 Drawing name: Z:\Civil_3D\Projects\73365_73366 Enterprise-Industrial\CADD Files\Sheets\0-Sheets.dwg Layout Tab: D-8 Mar 29, 2023 - 5:58am smcvey
 FOR REDUCED PLANS
 2
 1
 0



SYSTEM 'SD1' - PLAN
SCALE: 1"=10'



SYSTEM 'SD1' - PROFILE
SCALE: 1"=10' H,V

THIS SHEET ACCURATE FOR DRAINAGE WORK ONLY **DRAINAGE PLAN & PROFILE**
SCALE : AS SHOWN



PREPARED UNDER THE SUPERVISION OF :

 REGISTERED CIVIL ENGINEER
 DATE: 4/18/23

DESIGNED: DWH
 DRAWN: SGM
 CHECKED: DWH
 DATE: 03/29/23
 ROAD NUMBER: 009

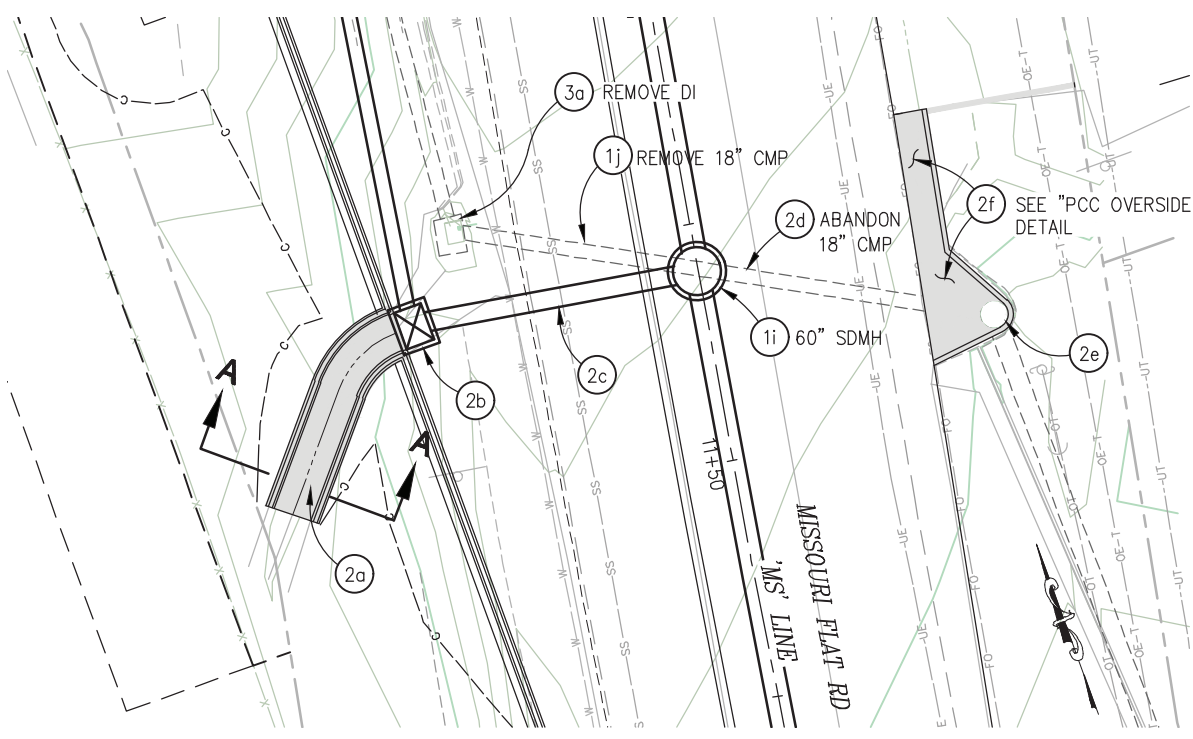


COUNTY OF EL DORADO
DEPARTMENT OF TRANSPORTATION

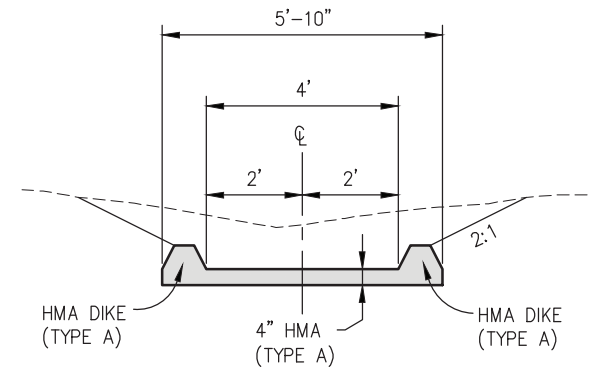
ENTERPRISE DR AND INDUSTRIAL DR
INTERSECTION IMPROVEMENTS

SHEET
D-8
 28 OF 65
 CONTRACT NO.
6286

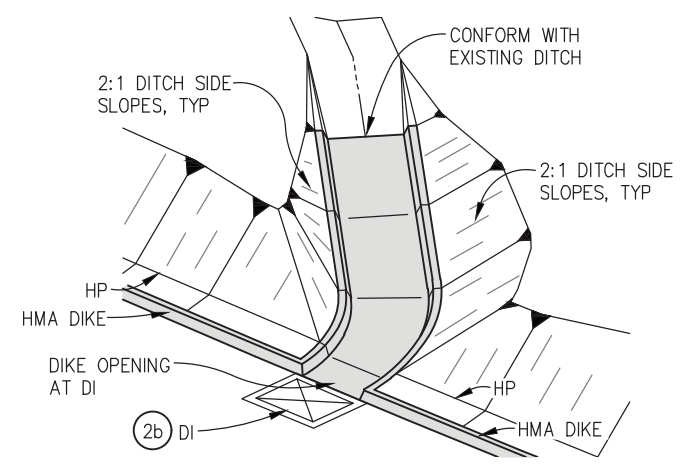
ORIGINAL SCALE IS IN INCHES
 Drawing name: Z:\Civil_3D\Projects\73365_73366 Enterprise-Industrial\CADD_Files\Sheets\0-Sheets.dwg Layout Tab: D-9 Mar 29, 2023 - 5:58am smcvey
 FOR REDUCED PLANS
 REVISION



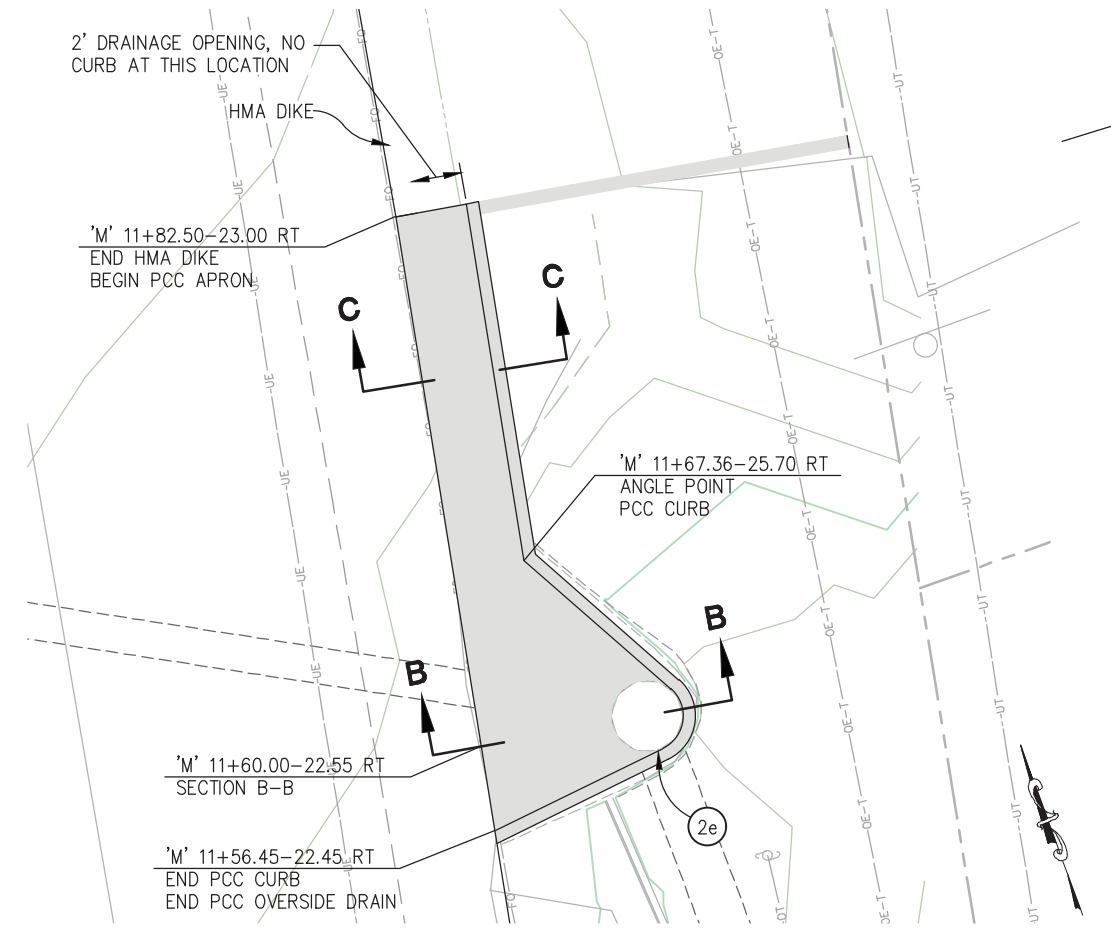
SYSTEM 'SD2' - PLAN
SCALE: 1"=10'



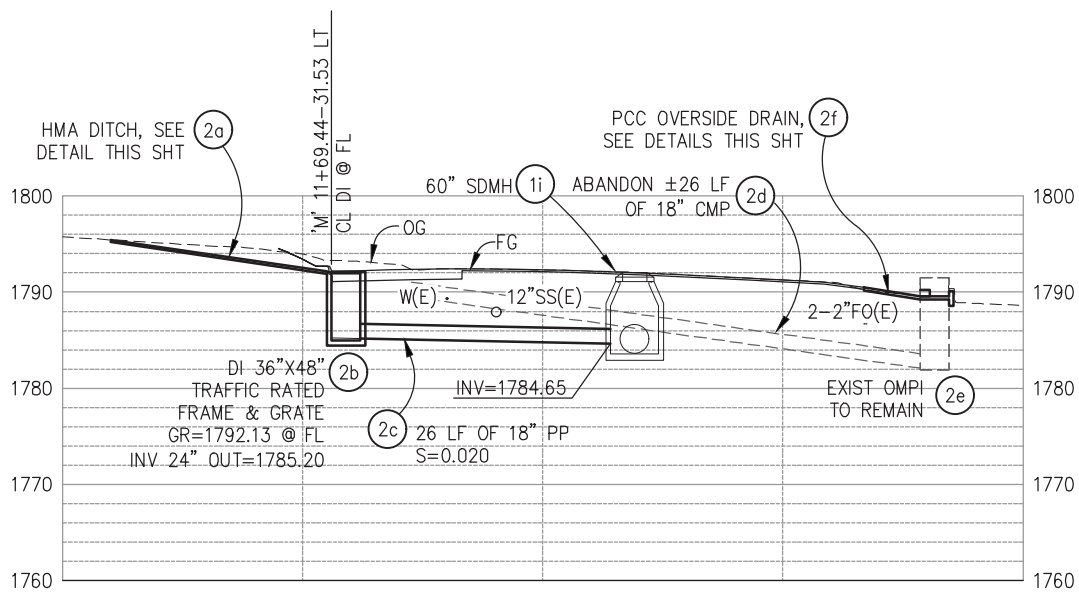
SECTION A-A
NTS



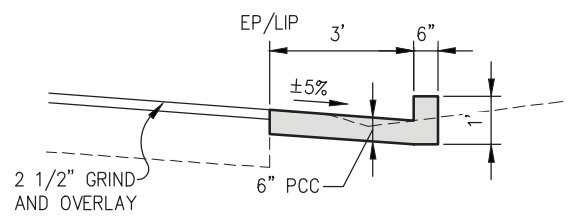
HMA DITCH DETAIL
NTS



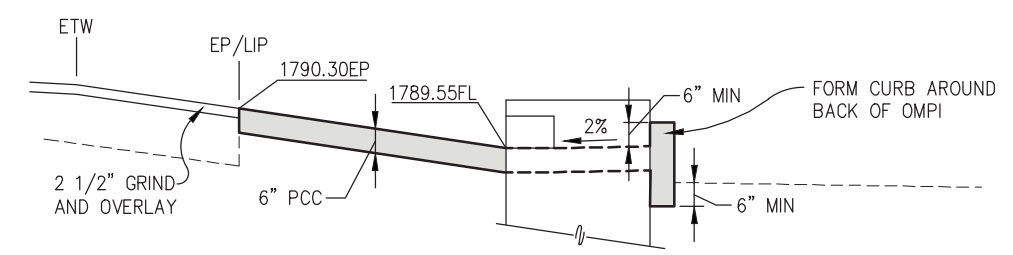
PCC OVERSIDE DRAIN
SCALE: 1"=4'



SYSTEM 'SD2' - PROFILE
SCALE: 1"=10' H,V



SECTION C-C
NTS



SECTION B-B
NTS

THIS SHEET ACCURATE FOR DRAINAGE WORK ONLY

DRAINAGE DETAILS
SCALE : AS SHOWN



PREPARED UNDER THE SUPERVISION OF:
[Signature]
 REGISTERED CIVIL ENGINEER
 DATE: 4/18/23

DESIGNED: DWH
 DRAWN: SGM
 CHECKED: DWH
 DATE: 03/29/23
 ROAD NUMBER: 009

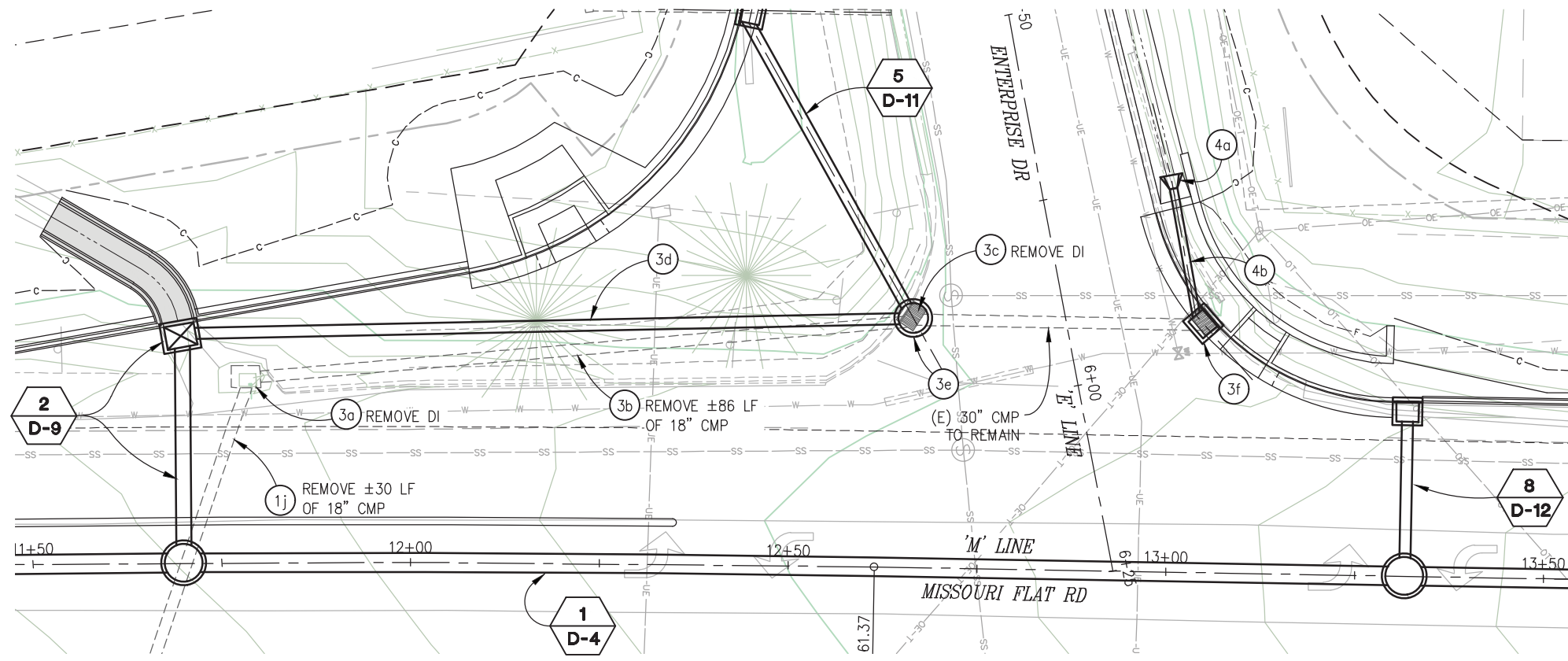


COUNTY OF EL DORADO
DEPARTMENT OF TRANSPORTATION

ENTERPRISE DR AND INDUSTRIAL DR
INTERSECTION IMPROVEMENTS

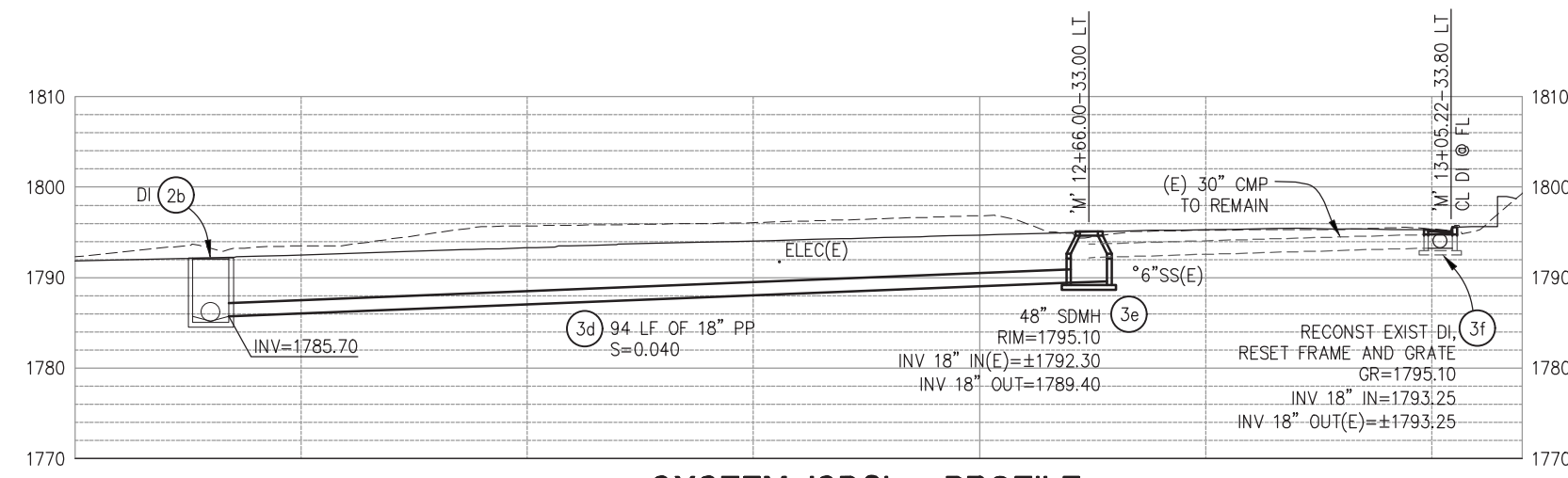
SHEET
D-9
 29 OF 65
 CONTRACT NO.
6286

ORIGINAL SCALE IS IN INCHES
 Drawing name: Z:\Civil_3D\Projects\73565_73566 Enterprise-Industrial\CADD_Files\Sheets\0-Sheets.dwg Layout Tab: D-10 Mar 29, 2023 5:59am smcvey
 FOR REDUCED PLANS
 REVISION



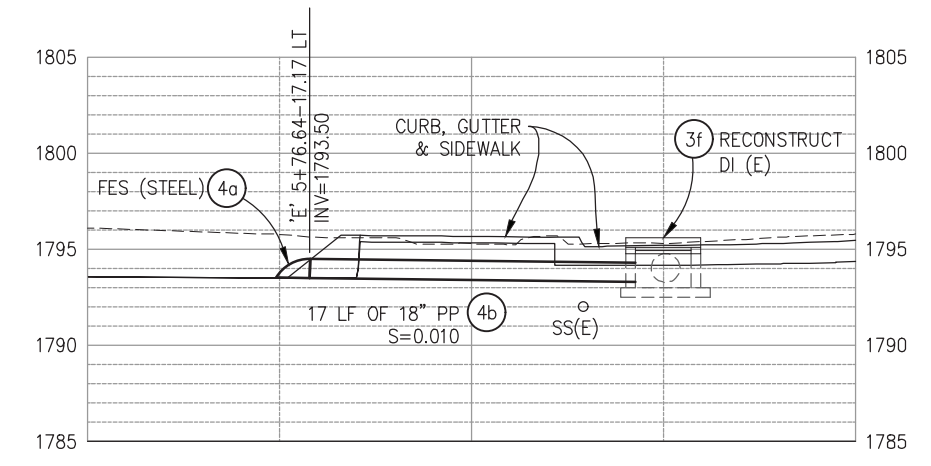
SYSTEM 'SD3' - PLAN

SCALE: 1"=10'



SYSTEM 'SD3' - PROFILE

SCALE: 1"=10' H,V



SYSTEM 'SD4' - PROFILE

SCALE: 1"=5' H,V

THIS SHEET ACCURATE FOR DRAINAGE WORK ONLY **DRAINAGE PLAN & PROFILE**
SCALE : AS SHOWN



PREPARED UNDER THE SUPERVISION OF:

 REGISTERED CIVIL ENGINEER
 DATE: 4/18/23

DESIGNED: DWH
 DRAWN: SGM
 CHECKED: DWH
 DATE: 03/29/23
 ROAD NUMBER: 009

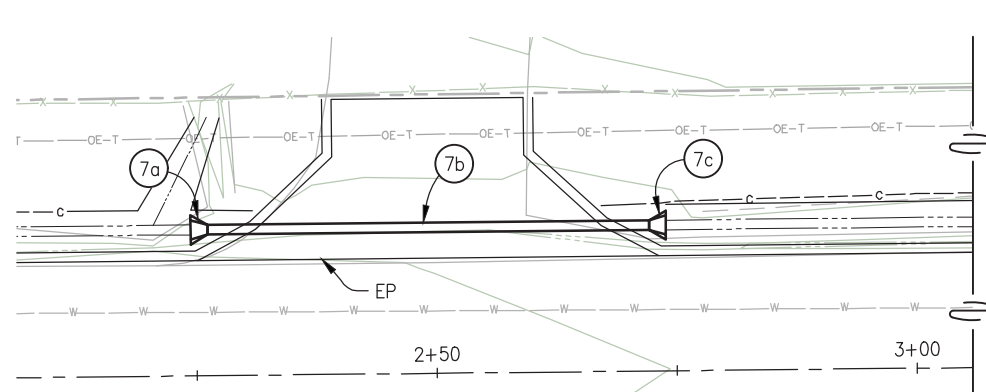


COUNTY OF EL DORADO
DEPARTMENT OF TRANSPORTATION

ENTERPRISE DR AND INDUSTRIAL DR
INTERSECTION IMPROVEMENTS

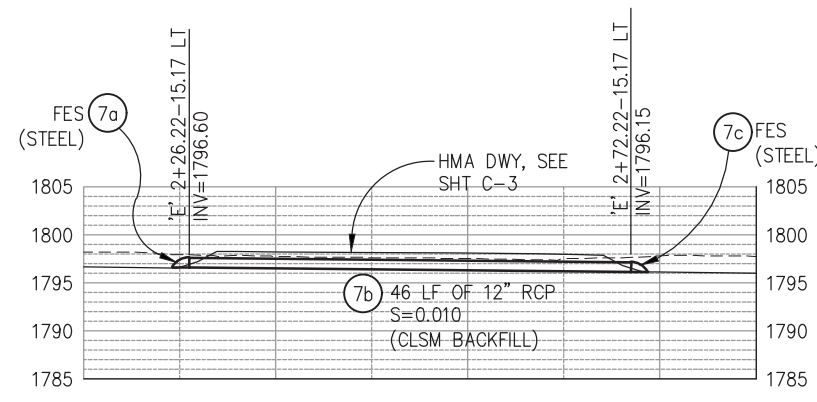
SHEET
D-10
 30 OF 65
 CONTRACT NO.
6286

ORIGINAL SCALE IS IN INCHES
 Drawing name: Z:\Civil_3D\Projects\73365\73366 Enterprise-Industrial\CADD Files\Sheets\D-Sheets.dwg Layout Tab: D-11 Mar 29, 2023 - 6:00am smcvey
 FOR REDUCED PLANS



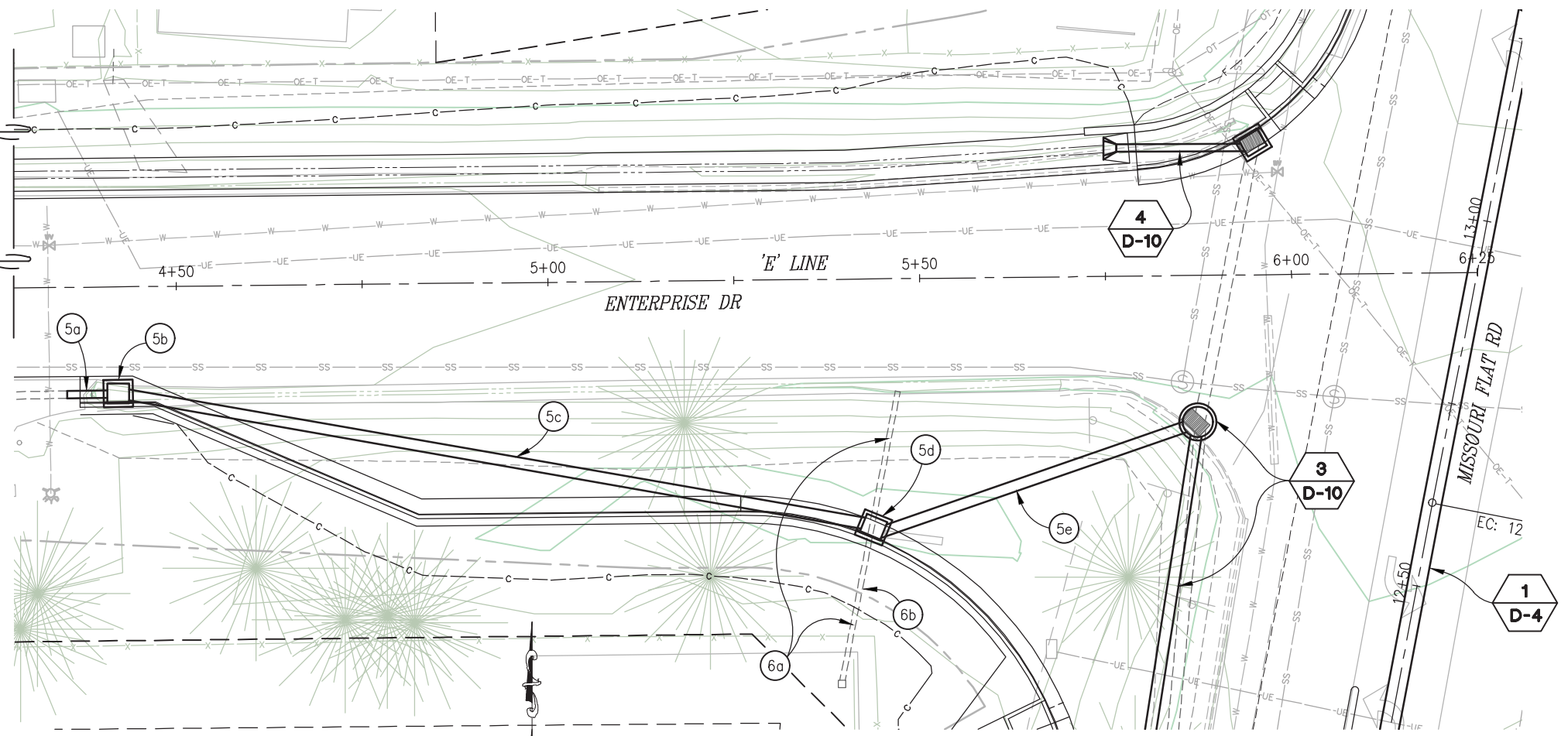
SYSTEM 'SD7' - PLAN

SCALE: 1"=10'



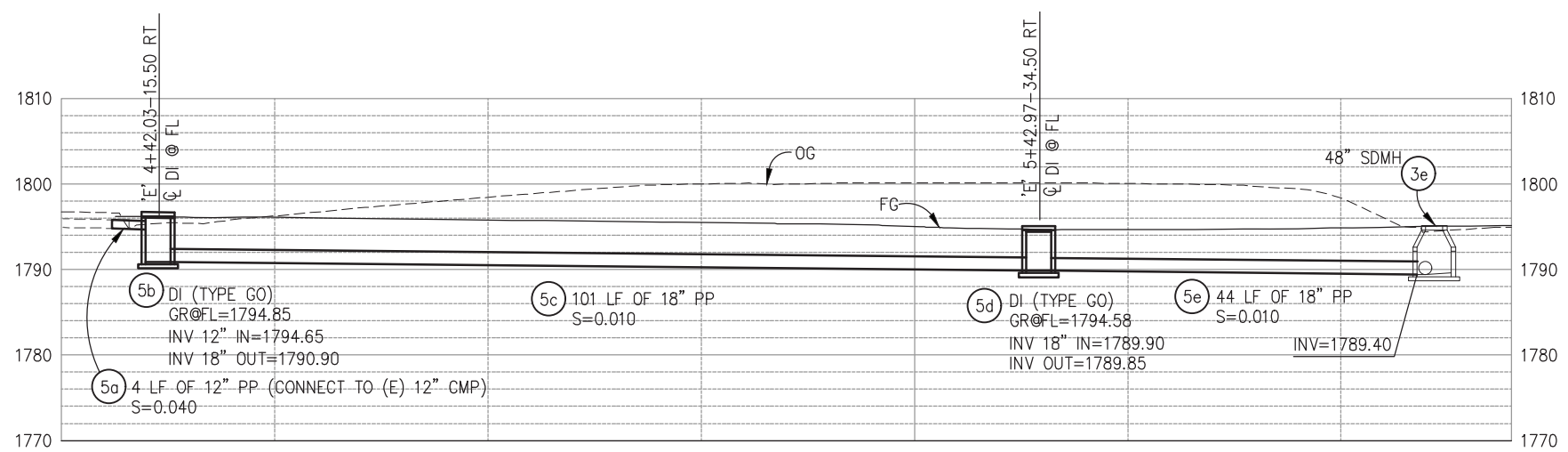
SYSTEM 'SD7' - PROFILE

SCALE: 1"=5' H,V



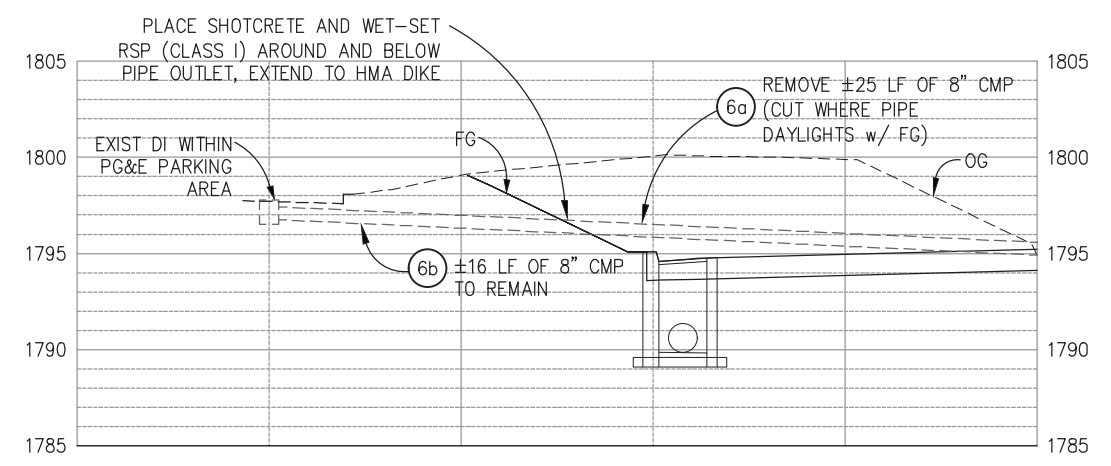
SYSTEM 'SD5' & 'SD6' - PLAN

SCALE: 1"=10'



SYSTEM 'SD5' - PROFILE

SCALE: 1"=10' H,V



SYSTEM 'SD6' - PROFILE

SCALE: 1"=5' H,V

THIS SHEET ACCURATE FOR DRAINAGE WORK ONLY

DRAINAGE PLAN & PROFILE
SCALE: AS SHOWN

REVISION	NUMBER	DATE	DESCRIPTION	BY



PREPARED UNDER THE SUPERVISION OF:

 REGISTERED CIVIL ENGINEER
 DATE: 4/18/23

DESIGNED: DWH
 DRAWN: SGM
 CHECKED: DWH
 DATE: 03/29/23
 ROAD NUMBER: 009

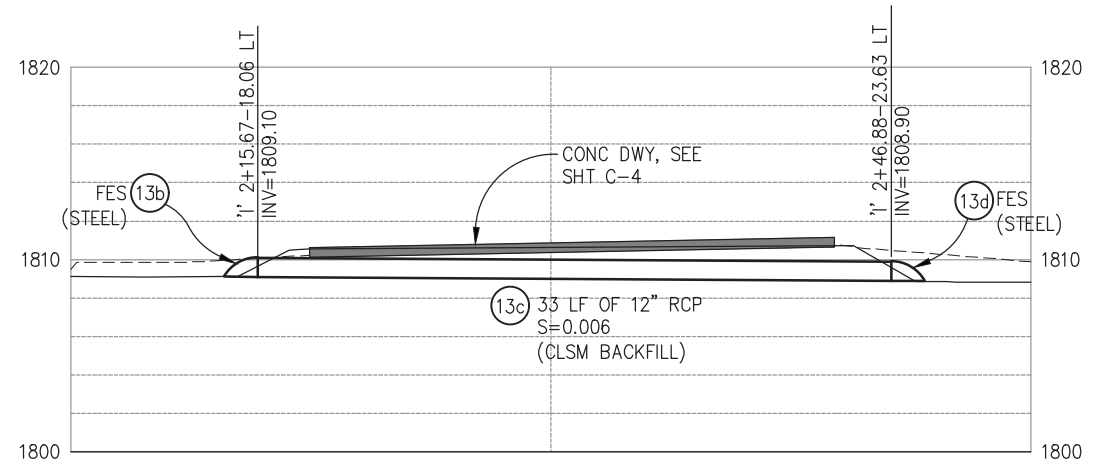
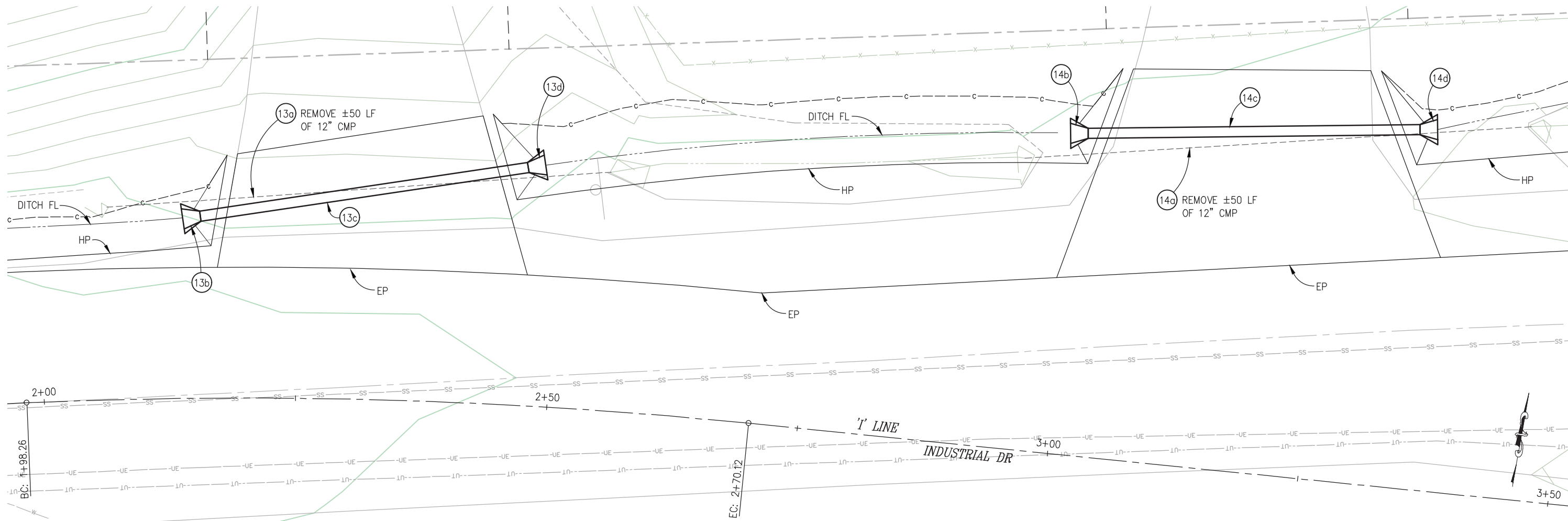


COUNTY OF EL DORADO
DEPARTMENT OF TRANSPORTATION

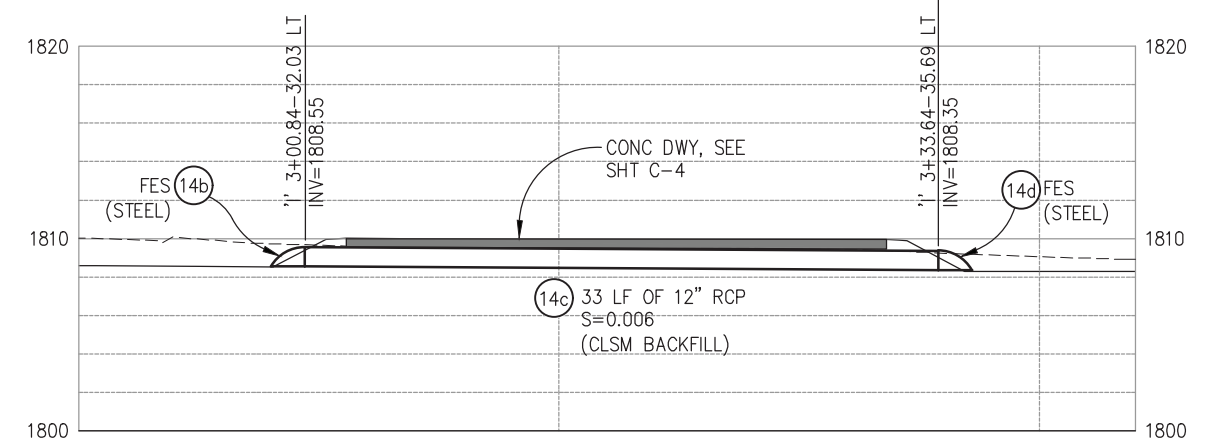
ENTERPRISE DR AND INDUSTRIAL DR
INTERSECTION IMPROVEMENTS

SHEET
D-11
 31 OF 65
 CONTRACT NO.
6286

ORIGINAL SCALE IS IN INCHES
 Drawing name: Z:\Civil_3D\Projects\73365\73366 Enterprise-Industrial\CADD Files\Sheets\0-Sheets.dwg Layout Tab: D-14 Mar 29, 2023 - 6:01am smcvey
 FOR REDUCED PLANS



SD SYSTEM 'SD13' - PROFILE
SCALE: 1"=5' H,V



SD SYSTEM 'SD14' - PROFILE
SCALE: 1"=5' H,V

THIS SHEET ACCURATE FOR DRAINAGE WORK ONLY **DRAINAGE PLAN & PROFILE**
SCALE : AS SHOWN

REVISION	NUMBER	DATE	DESCRIPTION	BY



PREPARED UNDER THE SUPERVISION OF:

 REGISTERED CIVIL ENGINEER
 DATE: 4/18/23

DESIGNED: DWH
 DRAWN: SGM
 CHECKED: DWH
 DATE: 03/29/23
 ROAD NUMBER: 009



COUNTY OF EL DORADO
DEPARTMENT OF TRANSPORTATION

ENTERPRISE DR AND INDUSTRIAL DR
INTERSECTION IMPROVEMENTS

SHEET
D-14
 34 OF 65
 CONTRACT NO.
6286

ORIGINAL SCALE IS IN INCHES
Drawing name: Z:\Civil_3D\Projects\73365\73366 Enterprise-Industrial\CADD_Files\Sheets\0-Sheets.dwg Layout Tab: D-15 Mar 29,2023 - 6:01am smcvey

FOR REDUCED PLANS
2
1
0

DRAINAGE PLAN SHEET NO.	DRAINAGE SYSTEM NO.	DRAINAGE UNIT	60" SDMH	48" SDMH	DI (36" X 48")	DI (TYPE G0)	DI (TYPE G1)	36" OCPI				12" PLASTIC PIPE	12" REINFORCED CONCRETE PIPE	18" PLASTIC PIPE		30" PLASTIC PIPE	12" FES (STEEL)	18" FES (STEEL)	HMA DITCH	PCC OVERSIDE DRAIN	RECONSTRUCT DI	ABANDON 18" CMP	REMOVE DI	REMOVE 8" CMP	REMOVE 12" CMP	REMOVE 18" CMP	REMOVE 30" CMP	DESCRIPTION	STATION	DRAINAGE UNIT	DRAINAGE SYSTEM NO.	DRAINAGE PLAN SHEET NO.					
D-2	1	a	EA									LF																									
		b																																			
		c																																			
		d																30																			
		e	1																																		
		f																319																			
D-3	1	g		1																																	
		h															296																				
D-4	1	i	1																																		
		j																									30										
D-5	1	k														157																					
		l	1																																		
D-6	1	m														345																					
		n		1																																	
D-7	1	o														252																					
		p	1																																		
		q															92																				
		r	1																																		
D-8	1	s																																			
		t	1																																		
		u													106																						
		v		1																																	
D-9	2	w																	2.5																		
		x																																			
		y				1																															
		z																																			
D-10	3	aa																																			
		ab																																			
		ac																																			
		ad																																			
		ae																																			
D-10	4	af																																			
		ag																																			
SHEET TOTAL			6	4	1									243		1,622		1	2.5	4	1	26	2			116	35										



PREPARED UNDER THE SUPERVISION OF :

 REGISTERED CIVIL ENGINEER
 DATE: 4/18/23

DESIGNED: DWH
 DRAWN: SGM
 CHECKED: DWH
 DATE: 03/29/23
 ROAD NUMBER: 009



COUNTY OF EL DORADO
 DEPARTMENT OF TRANSPORTATION

ENTERPRISE DR AND INDUSTRIAL DR
 INTERSECTION IMPROVEMENTS

DRAINAGE QUANTITIES
 SCALE : NONE

SHEET
D-15
 35 OF 65
 CONTRACT NO.
6286

ORIGINAL SCALE IS IN INCHES
 Drawing name: Z:\Civil_3D_Projects\73365 Enterprise-Industrial\CADD_Files\Sheets\0-Sheets.dwg Layout Tab: D-16 Mar 29, 2023 6:02am smcvey
 FOR REDUCED PLANS

DRAINAGE PLAN SHEET NO.	DRAINAGE SYSTEM NO.	DRAINAGE UNIT	60" SDMH	48" SDMH	DI (36" X 48")	DI (TYPE 60)	DI (TYPE 61)	36" OCPI			12" PLASTIC PIPE	12" REINFORCED CONCRETE PIPE	18" PLASTIC PIPE		30" PLASTIC PIPE	12" FES (STEEL)	18" FES (STEEL)	GRADED LINE DRAIN		HMA DITCH	PCC OVERSIDE DRAIN	RECONSTRUCT DI	ABANDON 18" CMP	REMOVE DI	REMOVE 8" CMP	REMOVE 12" CMP	REMOVE 18" CMP	REMOVE 30" CMP	DESCRIPTION	STATION	DRAINAGE UNIT	DRAINAGE SYSTEM NO.	DRAINAGE PLAN SHEET NO.	
D-11	5	a	EA	EA	EA	EA	EA	EA			LF	LF	LF		LF	EA	EA	LF			CY	CY	EA	LF	EA	LF	LF	LF						
		b				1						4																	S=0.040		a	5	D-11	
		c												101															S=0.010	'E' 4+42.03-15.50 RT	b			
		d				1																							S=0.010	'E' 5+42.97-34.50 RT	c			
		e												44												25			S=0.010		d			
a																													a					
D-11	7	a														1																a	7	D-11
		b										46																S=0.010	'E' 2+26.22-15.17 LT	b				
		c															1														c			
D-12	8	a				1																										a	8	D-12
		b												19															S=0.050	'M' 13+31.62-23.00 LT	b			
D-12	9	a					1																									a	9	D-12
		b												23															S=0.020	'M' 19+37.00-25.50 RT	b			
D-12	10	a				1																										a	10	D-12
		b												30															S=0.010	'M' 20+33.12-34.02 LT LT	b			
		c												23															S=0.020		c			
		d					1																							'M' 20+33.55-26.00 RT	d			
D-13	11	a						1																								a	11	D-13
		b					1							46															S=0.010	'M' 21+68.93-30.36 LT	b			
		c												26															S=0.010		c			
		d																	40												a			
D-13	12	a																														a	12	D-13
		b												26															S=0.010	'M' 22+91.83-26.00 RT	b			
		c					1																								c			
D-14	13	a																														a	13	D-14
		b															1															b		
		c												33															S=0.006	'I' 2+15.67-18.06 LT	c			
		d															1														d			
D-14	14	a																														a	14	D-14
		b																														b		
		c												33															S=0.006	'I' 3+00.84-32.03 LT	c			
		d															1														d			
SHEET TOTAL						5	3	1			30	112	312			6	40								25	100								
GRAND TOTAL			6	4	1	5	3	1			30	112	555		1,622	6	1	40			2.5	4	1	26	2	25	100	116	35					

DRAINAGE QUANTITIES SCALE : NONE



PREPARED UNDER THE SUPERVISION OF :

 REGISTERED CIVIL ENGINEER
 DATE: 4/18/23

DESIGNED: DWH
 CHECKED: DWH
 ROAD NUMBER: 009
 DRAWN: SGM
 DATE: 03/29/23

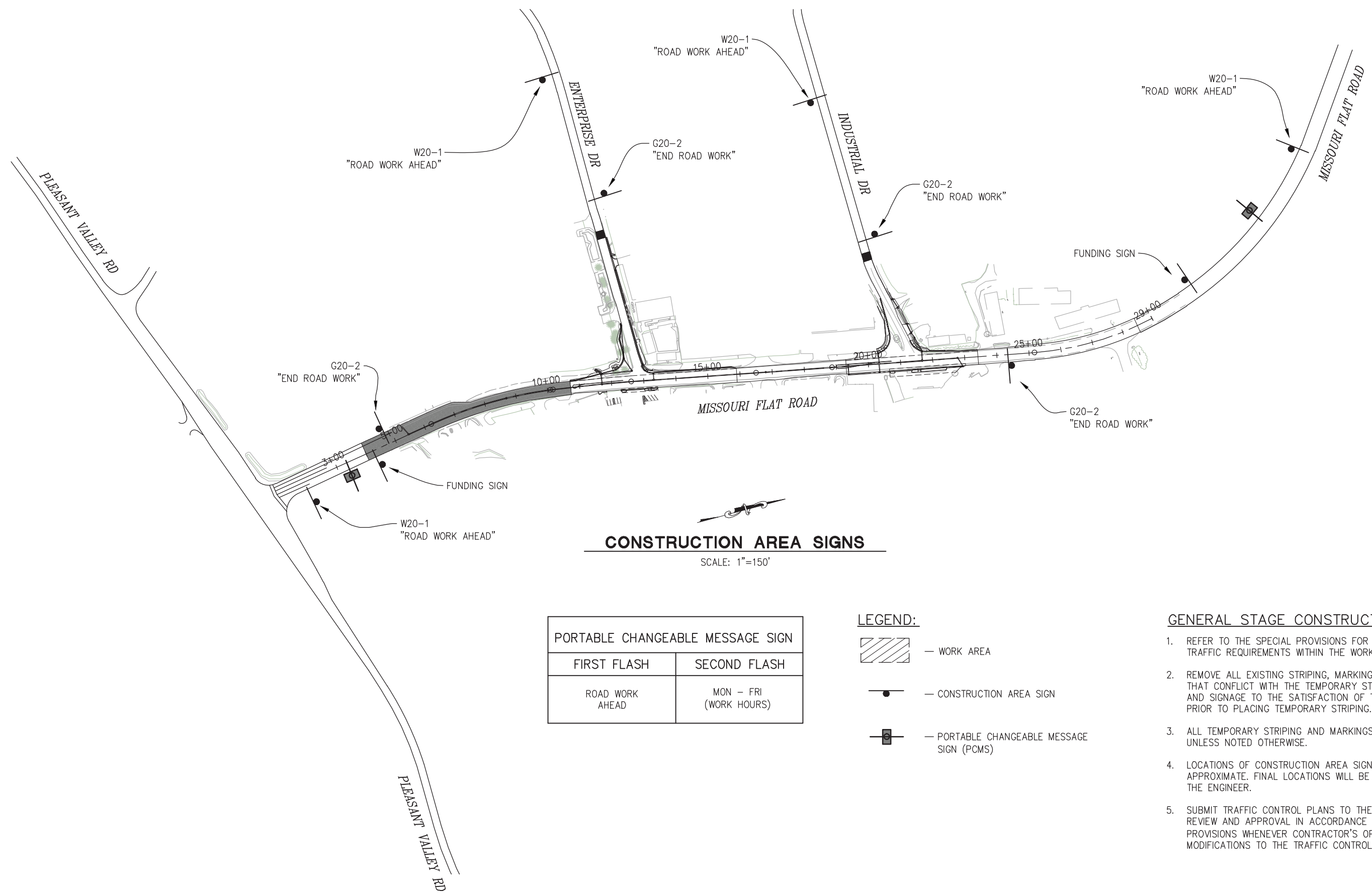


COUNTY OF EL DORADO
DEPARTMENT OF TRANSPORTATION

ENTERPRISE DR AND INDUSTRIAL DR
INTERSECTION IMPROVEMENTS

SHEET
D-16
 36 OF 65
 CONTRACT NO.
6286

ORIGINAL SCALE IS IN INCHES
 Drawing name: Z:\Civil_3D\Projects\73365_73366 Enterprise-Industrial\CADD_Files\Sheets\SC-Sheets.dwg Layout Tab: SC-1 Mar 29, 2023 - 6:06am smcvey
 FOR REDUCED PLANS
 REVISION
 NUMBER DATE DESCRIPTION BY



CONSTRUCTION AREA SIGNS

SCALE: 1"=150'

PORTABLE CHANGEABLE MESSAGE SIGN	
FIRST FLASH	SECOND FLASH
ROAD WORK AHEAD	MON - FRI (WORK HOURS)

LEGEND:

- WORK AREA
- CONSTRUCTION AREA SIGN
- PORTABLE CHANGEABLE MESSAGE SIGN (PCMS)

GENERAL STAGE CONSTRUCTION NOTES:

1. REFER TO THE SPECIAL PROVISIONS FOR MAINTAINING TRAFFIC REQUIREMENTS WITHIN THE WORK AREA.
2. REMOVE ALL EXISTING STRIPING, MARKINGS, AND SIGNAGE THAT CONFLICT WITH THE TEMPORARY STRIPING, MARKINGS AND SIGNAGE TO THE SATISFACTION OF THE ENGINEER PRIOR TO PLACING TEMPORARY STRIPING.
3. ALL TEMPORARY STRIPING AND MARKINGS ARE TO BE PAINT UNLESS NOTED OTHERWISE.
4. LOCATIONS OF CONSTRUCTION AREA SIGNS ARE APPROXIMATE. FINAL LOCATIONS WILL BE DETERMINED BY THE ENGINEER.
5. SUBMIT TRAFFIC CONTROL PLANS TO THE ENGINEER FOR REVIEW AND APPROVAL IN ACCORDANCE WITH THE SPECIAL PROVISIONS WHENEVER CONTRACTOR'S OPERATIONS REQUIRE MODIFICATIONS TO THE TRAFFIC CONTROL PLANS.

**STAGE CONSTRUCTION
CONSTRUCTION AREA SIGNS
SCALE : AS SHOWN**



PREPARED UNDER THE SUPERVISION OF:

 REGISTERED CIVIL ENGINEER
 DATE: 4/18/23

DESIGNED: DWH
 DRAWN: SGM
 CHECKED: DWH
 DATE: 03/29/23
 ROAD NUMBER: 009

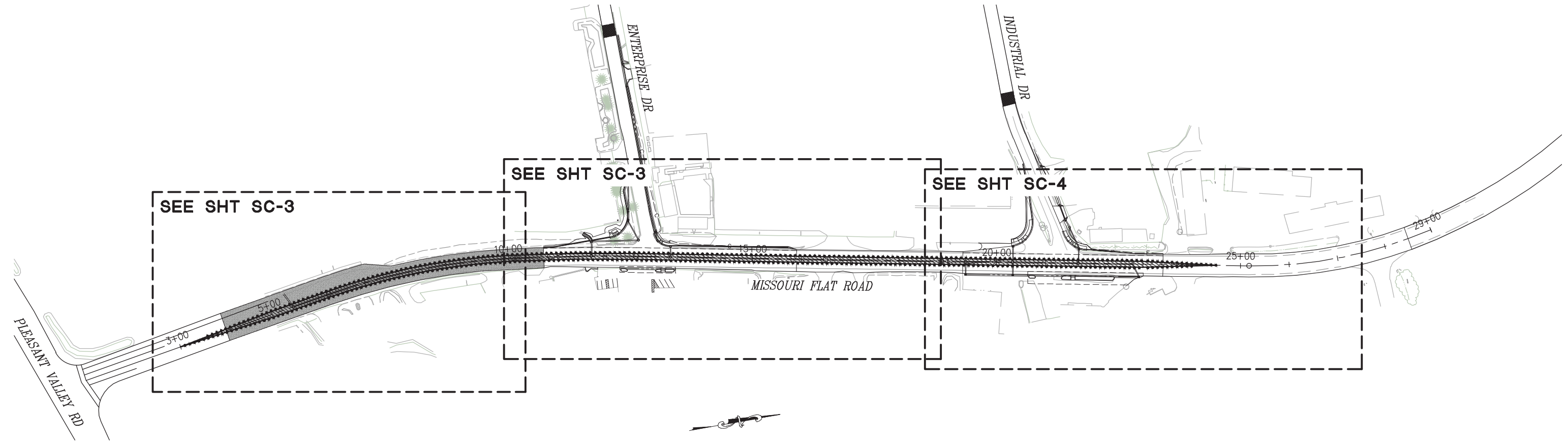


**COUNTY OF EL DORADO
DEPARTMENT OF TRANSPORTATION**

**ENTERPRISE DR AND INDUSTRIAL DR
INTERSECTION IMPROVEMENTS**

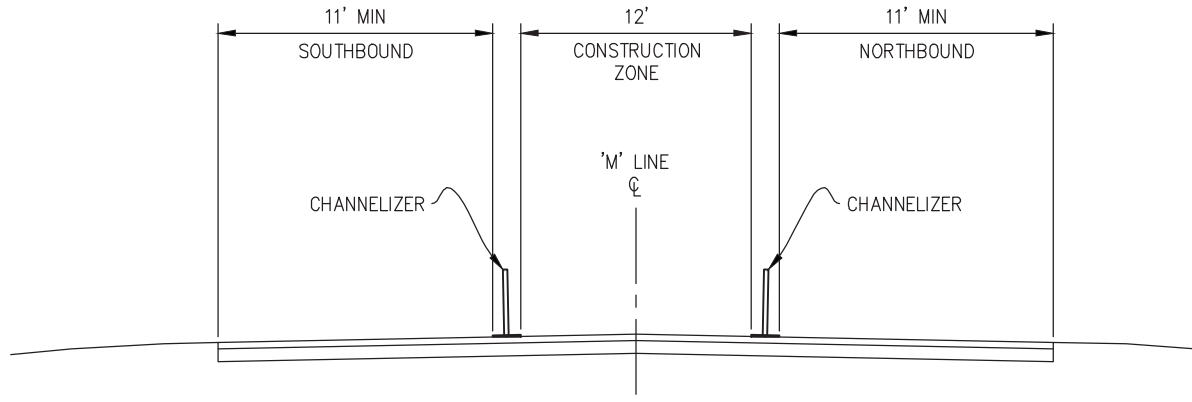
SHEET
SC-1
 37 OF 65
 CONTRACT NO.
6286

ORIGINAL SCALE IS IN INCHES
 Drawing name: Z:\Civil_3D\Projects\73365_73366 Enterprise-Industrial\CADD_Files\Sheets\SC-Sheets.dwg Layout Tab: SC-2 Mar 29, 2023 - 6:06am smovey
 FOR REDUCED PLANS



STAGE 1 OVERVIEW

SCALE: 1"=100'



**STAGE 1
TYPICAL SECTION**

NTS

LEGEND:

- CONSTRUCTION THIS STAGE
- TEMPORARY RAIL (TYPE K)
- TEMPORARY CRASH CUSHION ARRAY (ABSORB 350 OR EQUAL)
- CONSTRUCTION SIGN
- CHANNELIZER DRUMS
- DIRECTION OF TRAFFIC
- PORTABLE TEMPORARY SIGNAL
- PORTABLE TEMPORARY SIGNAL DRIVEWAY ASSISTANCE DEVICE

SEE SHEET SC-1 FOR GENERAL STAGE CONSTRUCTION NOTES.

STAGE 1 CONSTRUCTION NOTES:

1. STAGE 1 IS INTENDED TO CONSTRUCT:
 - THE MAIN LINE DRAINAGE SYSTEM, SD-1, WHICH RUNS DOWN THE CENTER OF MISSOURI FLAT ROAD.
2. CHANNELIZERS ARE SHOWN ALONG THE ENTIRE STAGE 1 LIMITS FOR ILLUSTRATION PURPOSES ONLY. ACTUAL CHANNELIZER PLACEMENT WILL ENCLOSE ONLY THE CONSTRUCTION AREA LIMITS ANTICIPATED FOR EACH WORKING SHIFT. AS WORK IS COMPLETED WITHIN A REGION, THE EFFECTED ROADWAY WILL BE REOPENED.
3. THE ENTERPRISE DR AND INDUSTRIAL DR INTERSECTIONS, ALONG WITH ALL DRIVEWAYS WILL REMAIN OPEN AS LONG AS POSSIBLE TO ALLOW LEFT TURN INGRESS AND EGRESS. THESE LOCATIONS WILL ONLY BE CLOSED LONG ENOUGH TO ACCOMPLISH THE NECESSARY UNDERGROUND AND MEDIAN WORK WITHIN THOSE SPECIFIC REGIONS.
4. FINAL LIFT OF HMA WILL BE PLACED IN STAGE 4.

**STAGE CONSTRUCTION
(STAGE 1)
SCALE : AS SHOWN**

REVISION	NUMBER	DATE	DESCRIPTION	BY



PREPARED UNDER THE SUPERVISION OF :

 REGISTERED CIVIL ENGINEER
 DATE: 4/18/23

DESIGNED: DWH
 DRAWN: SGM
 CHECKED: DWH
 DATE: 03/29/23
 ROAD NUMBER: 009

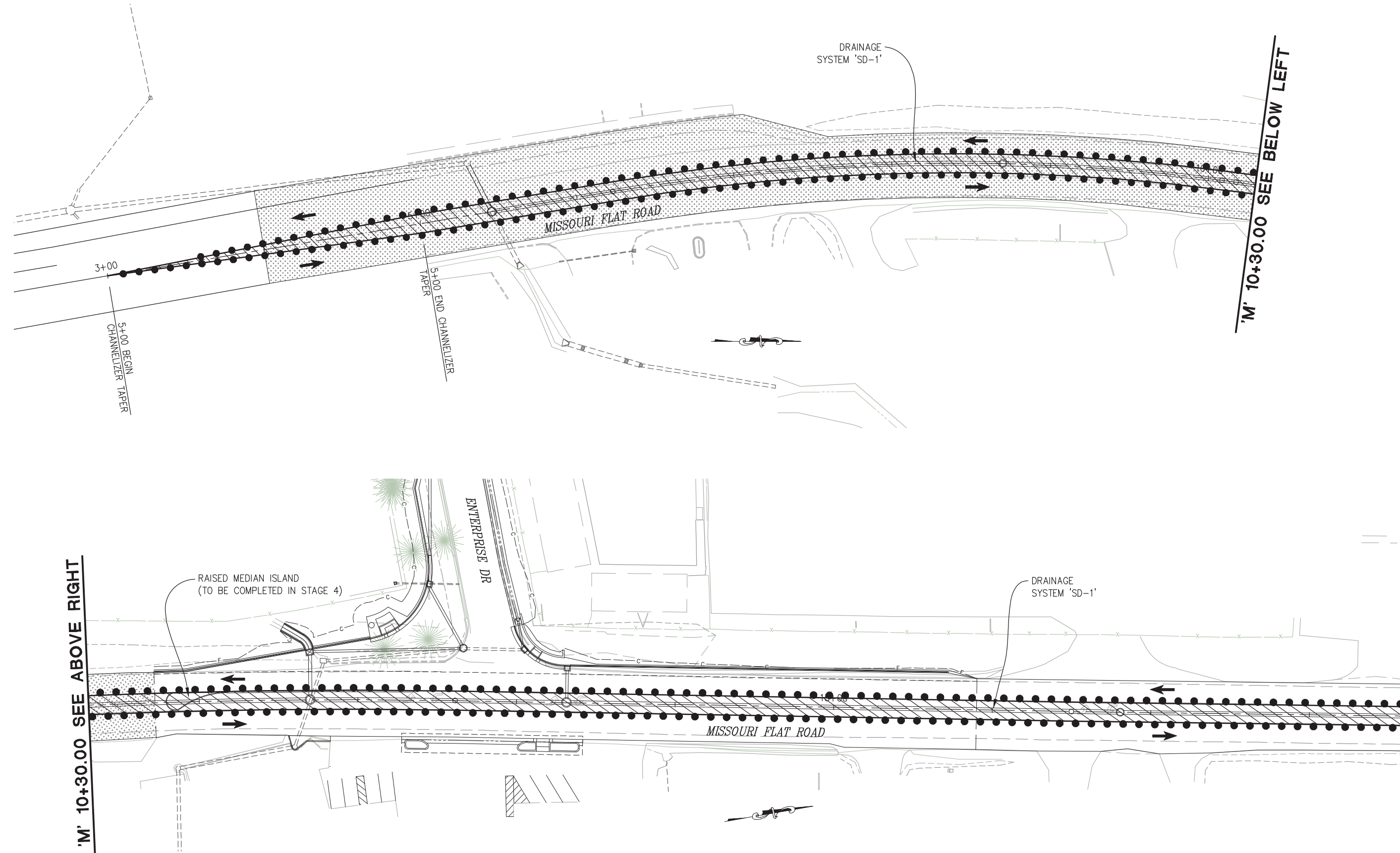


**COUNTY OF EL DORADO
DEPARTMENT OF TRANSPORTATION**

**ENTERPRISE DR AND INDUSTRIAL DR
INTERSECTION IMPROVEMENTS**

SHEET
SC-2
 38 OF 65
 CONTRACT NO.
6286

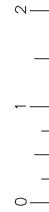
ORIGINAL SCALE IS IN INCHES
 Drawing name: Z:\Civil_3D\Projects\73365_73366 Enterprise-Industrial\CADD_Files\Sheets\SC-Sheets.dwg Layout Tab: SC-3 Mar 29, 2023 - 6:06am smovey



'M' 10+30.00 SEE ABOVE RIGHT

'M' 10+30.00 SEE BELOW LEFT

'M' 18+60.00 SEE SHT SC-4



STAGE CONSTRUCTION
 (STAGE 21)
 SCALE : 1" = 30'

REVISION	NUMBER	DATE	DESCRIPTION	BY



PREPARED UNDER THE SUPERVISION OF :

 REGISTERED CIVIL ENGINEER
 DATE: 4/18/23

DESIGNED: DWH
 CHECKED: DWH
 ROAD NUMBER: 009
 DRAWN: SGM
 DATE: 03/29/23



COUNTY OF EL DORADO
DEPARTMENT OF TRANSPORTATION

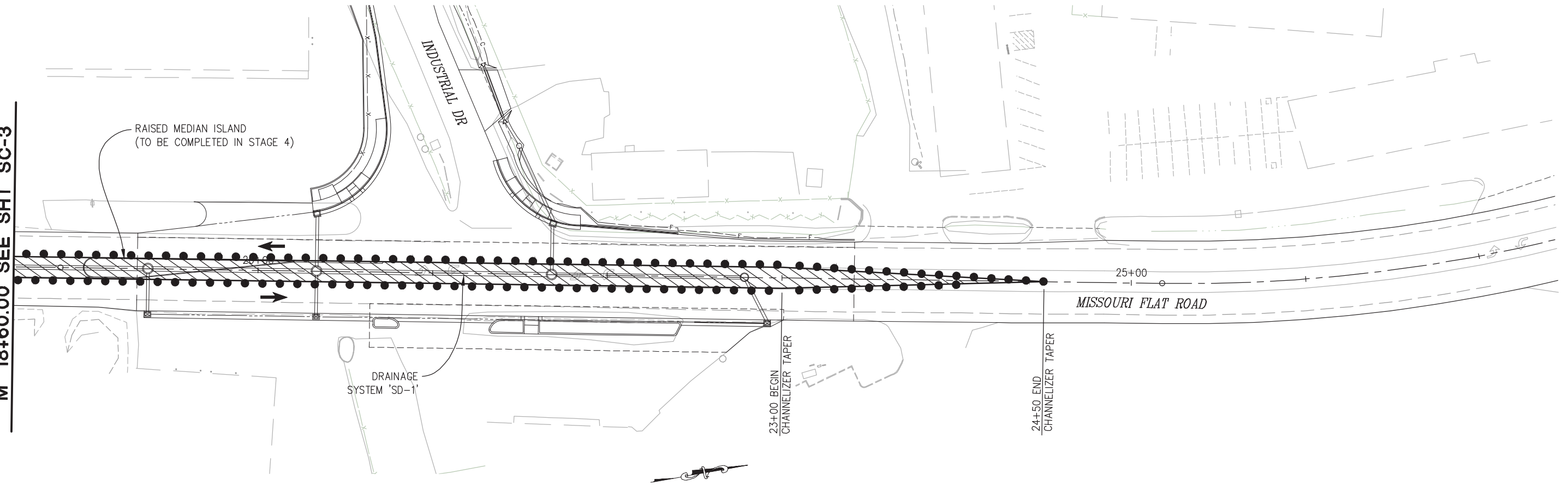
ENTERPRISE DR AND INDUSTRIAL DR
INTERSECTION IMPROVEMENTS

SHEET
SC-3
 39 OF 65
 CONTRACT NO.
6286

ORIGINAL SCALE IS IN INCHES
 Drawing name: Z:\Civil_3D\Projects\73566 Enterprise-Industrial\CADD_Files\Sheets\SC-Sheets.dwg Layout Tab: SC-4 Mar 29, 2023 - 6:07am smovey

FOR REDUCED PLANS
 0 1 2

'M' 18+60.00 SEE SHT SC-3



STAGE CONSTRUCTION
 (STAGE 1)
 SCALE : 1" = 30'

REVISION	NUMBER	DATE	DESCRIPTION	BY



PREPARED UNDER THE SUPERVISION OF :
Dustin W. Harrington
 REGISTERED CIVIL ENGINEER
 DATE: 4/18/23

DESIGNED: DWH
 DRAWN: SGM
 CHECKED: DWH
 DATE: 03/29/23
 ROAD NUMBER: 009

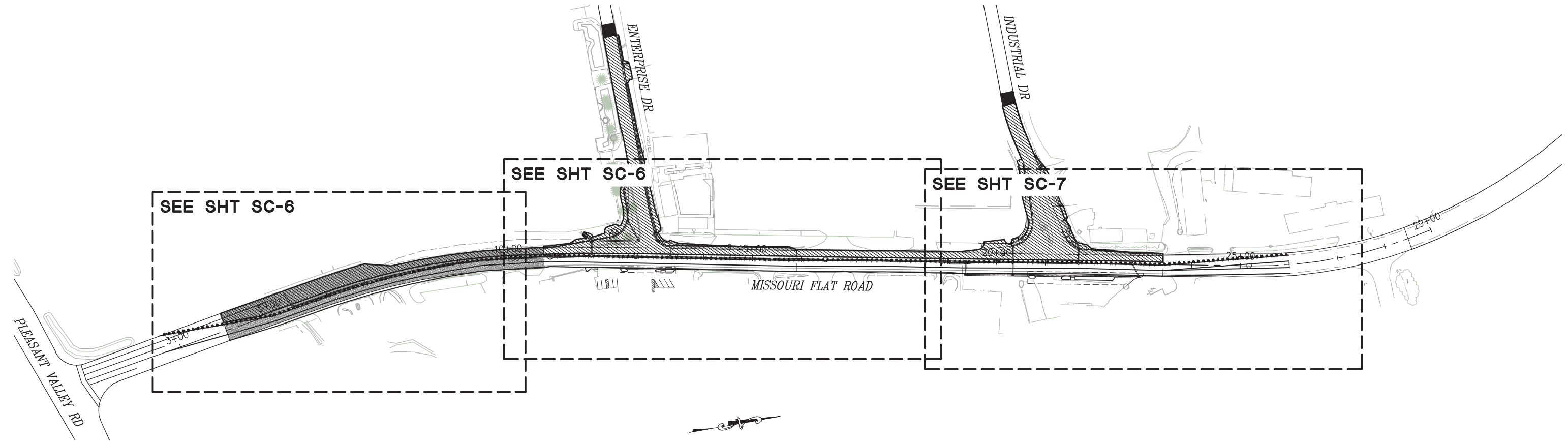


COUNTY OF EL DORADO
 DEPARTMENT OF TRANSPORTATION

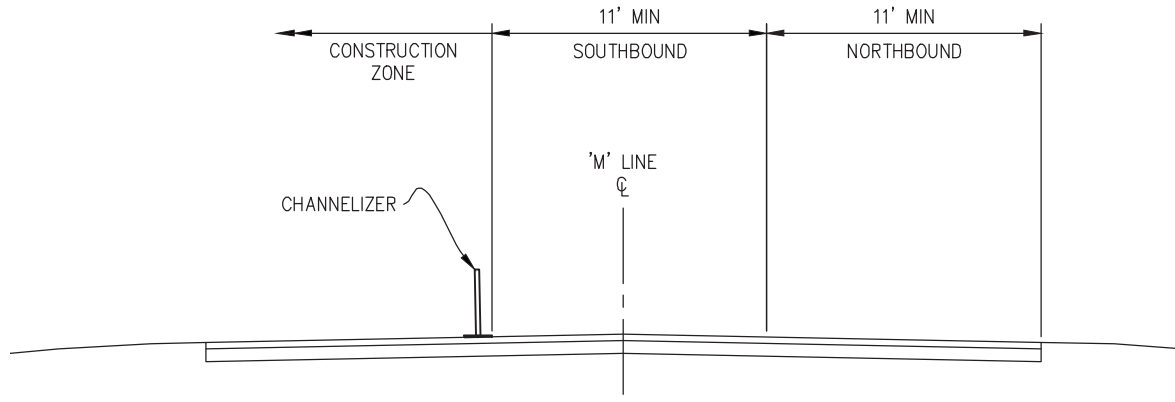
ENTERPRISE DR AND INDUSTRIAL DR
 INTERSECTION IMPROVEMENTS

SHEET
SC-4
 40 OF 65
 CONTRACT NO.
6286

ORIGINAL SCALE IS IN INCHES
 Drawing name: Z:\Civil_3D\Projects\73365_73366 Enterprise-Industrial\CADD_Files\Sheets\SC-Sheets.dwg Layout Tab: SC-5 Mar 29, 2023 - 6:07am smovey
 FOR REDUCED PLANS
 2
 1
 0



STAGE 2 OVERVIEW
 SCALE: 1"=100'



**STAGE 2
 TYPICAL SECTION**
 NTS

SEE SHEET SC-1 FOR GENERAL STAGE CONSTRUCTION NOTES.

STAGE 2 CONSTRUCTION NOTES:

- STAGE 2 IS INTENDED TO CONSTRUCT:
 - WESTERLY DRAINAGE LATERALS.
 - WESTERLY PORTION OF IMPROVEMENTS ALONG MISSOURI FLAT RD.
 - INTERSECTION IMPROVEMENTS AT ENTERPRISE DR AND INDUSTRIAL DR.
 - ALL REMAINING IMPROVEMENTS ON ENTERPRISE DR AND INDUSTRIAL DR.
- CHANNELIZERS ARE SHOWN ALONG THE ENTIRE STAGE 2 LIMITS FOR ILLUSTRATION PURPOSES ONLY. ACTUAL CHANNELIZER PLACEMENT WILL ENCLOSE ONLY THE CONSTRUCTION AREA LIMITS ANTICIPATED FOR EACH WORKING SHIFT. AS WORK IS COMPLETED WITHIN A REGION, THE EFFECTED ROADWAY WILL BE REOPENED.
- THE ENTERPRISE DR AND INDUSTRIAL DR INTERSECTIONS, ALONG WITH ALL DRIVEWAYS WILL REMAIN OPEN AS LONG AS POSSIBLE. THESE LOCATIONS WILL ONLY BE CLOSED LONG ENOUGH TO COMPLETE SCHEDULED WORK AND WILL BE REOPENED WHEN FEASIBLE.
- FINAL LIFT OF HMA WILL BE PLACED IN STAGE 4.

LEGEND:

- CONSTRUCTION THIS STAGE
- TEMPORARY RAIL (TYPE K)
- TEMPORARY CRASH CUSHION ARRAY (ABSORB 350 OR EQUAL)
- CONSTRUCTION SIGN
- CHANNELIZER DRUMS
- DIRECTION OF TRAFFIC
- PORTABLE TEMPORARY SIGNAL
- PORTABLE TEMPORARY SIGNAL DRIVEWAY ASSISTANCE DEVICE

**STAGE CONSTRUCTION
 (STAGE 2)
 SCALE : AS SHOWN**

REVISION	NUMBER	DATE	DESCRIPTION	BY



PREPARED UNDER THE SUPERVISION OF :

 REGISTERED CIVIL ENGINEER
 DATE: 4/18/23

DESIGNED: DWH
 DRAWN: SGM
 CHECKED: DWH
 DATE: 03/29/23
 ROAD NUMBER: 009

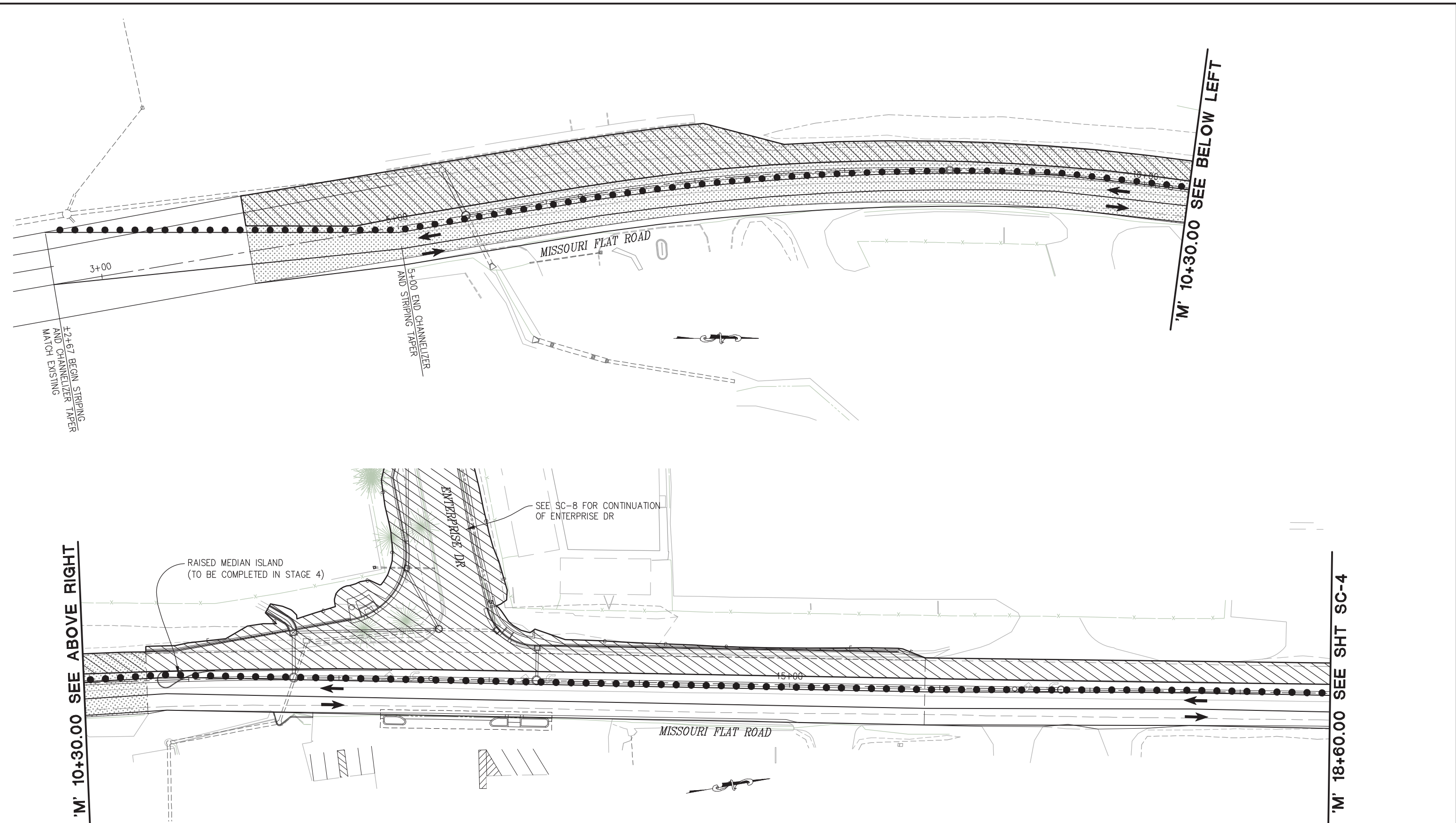


**COUNTY OF EL DORADO
 DEPARTMENT OF TRANSPORTATION**

**ENTERPRISE DR AND INDUSTRIAL DR
 INTERSECTION IMPROVEMENTS**

SHEET
SC-5
 41 OF 65
 CONTRACT NO.
6286

ORIGINAL SCALE IS IN INCHES
 Drawing name: Z:\Civil_3D\Projects\73365_73366 Enterprise-Industrial\CADD_Files\Sheets\SC-Sheets.dwg Layout Tab: SC-6 Mar 29, 2023 - 6:07am smovey



STAGE CONSTRUCTION
 (STAGE 2)
 SCALE : 1" = 30'

REVISION	NUMBER	DATE	DESCRIPTION	BY



PREPARED UNDER THE SUPERVISION OF :

 REGISTERED CIVIL ENGINEER
 DATE: 4/18/23

DESIGNED: DWH
 CHECKED: DWH
 ROAD NUMBER: 009
 DRAWN: SGM
 DATE: 03/29/23



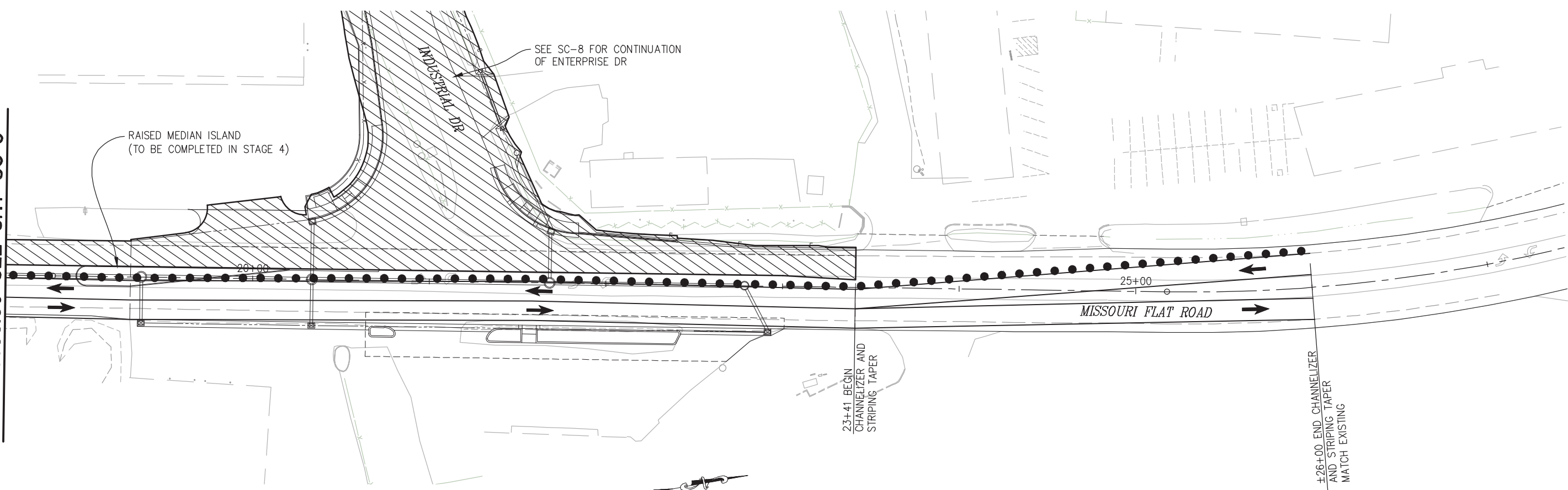
COUNTY OF EL DORADO
 DEPARTMENT OF TRANSPORTATION

ENTERPRISE DR AND INDUSTRIAL DR
 INTERSECTION IMPROVEMENTS

SHEET
SC-6
 42 OF 65
 CONTRACT NO.
6286

ORIGINAL SCALE IS IN INCHES
 Drawing name: Z:\Civil_3D_Projects\73365_73366 Enterprise-Industrial\CADD_Files\Sheets\SC-Sheets.dwg Layout Tab: SC-7 Mar 29, 2023 - 6:08am smovey
 FOR REDUCED PLANS
 2
 1
 0

'M' 18+60.00 SEE SHT SC-3



STAGE CONSTRUCTION
(STAGE 2)
SCALE : 1" = 30'

REVISION	NUMBER	DATE	DESCRIPTION	BY



PREPARED UNDER THE SUPERVISION OF :

 REGISTERED CIVIL ENGINEER
 DATE: 4/18/23

DESIGNED: DWH
 DRAWN: SGM
 CHECKED: DWH
 DATE: 03/29/23
 ROAD NUMBER: 009

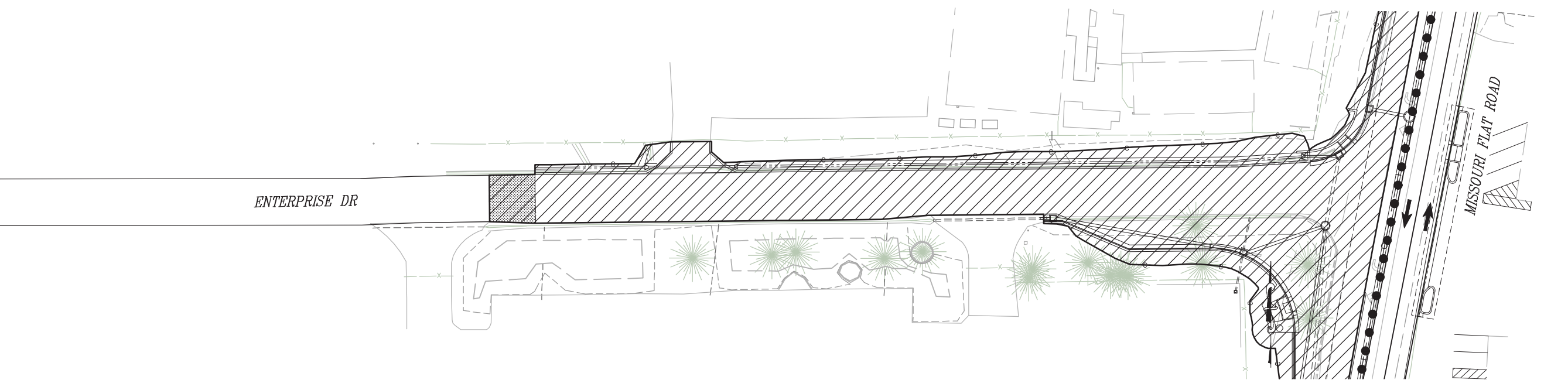
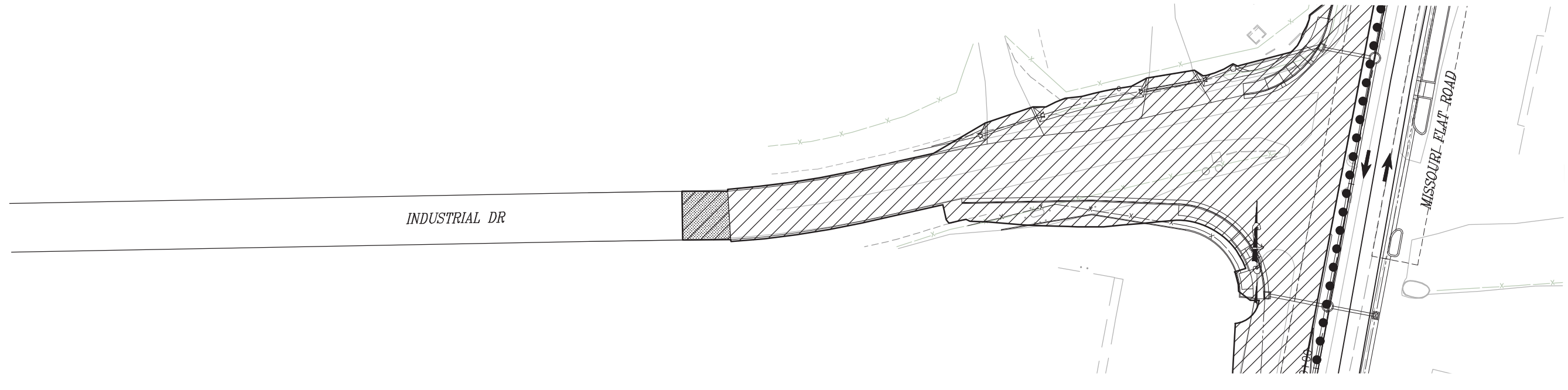


COUNTY OF EL DORADO
DEPARTMENT OF TRANSPORTATION

ENTERPRISE DR AND INDUSTRIAL DR
INTERSECTION IMPROVEMENTS

SHEET
SC-7
 43 OF 65
 CONTRACT NO.
6286

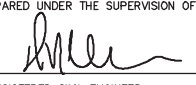
ORIGINAL SCALE IS IN INCHES
 Drawing name: Z:\Civil_3D\Projects\73565_73566 Enterprise-Industrial\CADD Files\Sheets\SC-Sheets.dwg Layout Tab: SC-8 Mar 29, 2023 - 6:08am smovey



STAGE CONSTRUCTION
(STAGE 2)
SCALE : 1" = 30'

REVISION	NUMBER	DATE	DESCRIPTION	BY



PREPARED UNDER THE SUPERVISION OF :

 REGISTERED CIVIL ENGINEER
 DATE: 4/18/23

DESIGNED: DWH
 CHECKED: DWH
 ROAD NUMBER: 009
 DRAWN: SGM
 DATE: 03/29/23

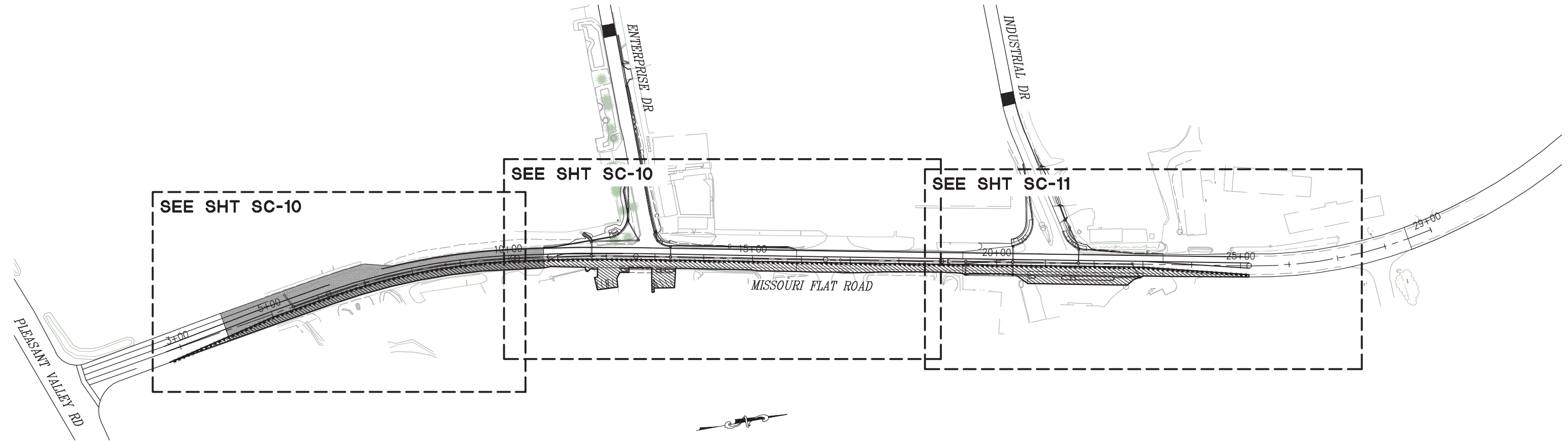


COUNTY OF EL DORADO
DEPARTMENT OF TRANSPORTATION

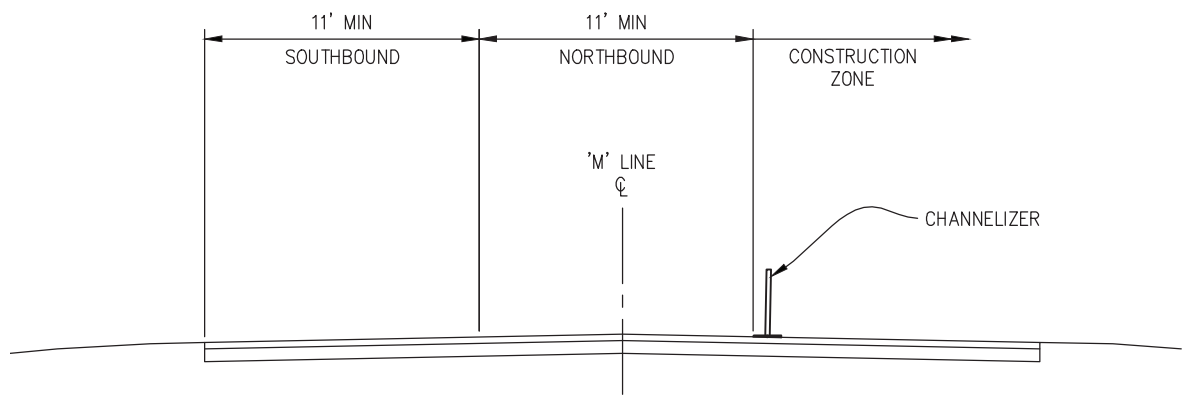
ENTERPRISE DR AND INDUSTRIAL DR
INTERSECTION IMPROVEMENTS

SHEET
SC-8
 44 OF 65
 CONTRACT NO.
6286

ORIGINAL SCALE IS IN INCHES
 Drawing name: Z:\Civil 3D Projects\73365 73366 Enterprise-Industrial\CADD Files\Sheets\SC-Sheets.dwg Layout Tab: SC-9 Mar 29, 2023 - 6:08am smovey
 FOR REDUCED PLANS



STAGE 3 OVERVIEW
SCALE: 1"=100'



**STAGE 3
TYPICAL SECTION**
NTS

SEE SHEET SC-1 FOR GENERAL STAGE CONSTRUCTION NOTES.

STAGE 3 CONSTRUCTION NOTES:

- STAGE 3 IS INTENDED TO CONSTRUCT:
 - EASTERLY DRAINAGE LATERALS.
 - EASTERLY PORTION OF IMPROVEMENTS ALONG MISSOURI FLAT RD.
 - REMAINING INTERSECTION IMPROVEMENTS AT ENTERPRISE DR AND INDUSTRIAL DR.
- CHANNELIZERS ARE SHOWN ALONG THE ENTIRE STAGE 3 LIMITS FOR ILLUSTRATION PURPOSES ONLY. ACTUAL CHANNELIZER PLACEMENT WILL ENCLOSE ONLY THE CONSTRUCTION AREA LIMITS ANTICIPATED FOR EACH WORKING SHIFT. AS WORK IS COMPLETED WITHIN A REGION, THE EFFECTED ROADWAY WILL BE REOPENED.
- THE ENTERPRISE DR AND INDUSTRIAL DR INTERSECTIONS, ALONG WITH ALL DRIVEWAYS WILL REMAIN OPEN AS LONG AS POSSIBLE. THESE LOCATIONS WILL ONLY BE CLOSED LONG ENOUGH TO COMPLETE SCHEDULED WORK AND WILL BE REOPENED WHEN FEASIBLE.
- FINAL LIFT OF HMA WILL BE PLACED IN STAGE 4.

LEGEND:

- CONSTRUCTION THIS STAGE
- TEMPORARY RAIL (TYPE K)
- TEMPORARY CRASH CUSHION ARRAY (ABSORB 350 OR EQUAL)
- CONSTRUCTION SIGN
- CHANNELIZER DRUMS
- DIRECTION OF TRAFFIC
- PORTABLE TEMPORARY SIGNAL
- PORTABLE TEMPORARY SIGNAL DRIVEWAY ASSISTANCE DEVICE

**STAGE CONSTRUCTION
(STAGE 3)
SCALE : AS SHOWN**

REVISION	NUMBER	DATE	DESCRIPTION	BY



PREPARED UNDER THE SUPERVISION OF :

 REGISTERED CIVIL ENGINEER
 DATE: 4/18/23

DESIGNED: DWH
 DRAWN: SGM
 CHECKED: DWH
 DATE: 03/29/23
 ROAD NUMBER: 009

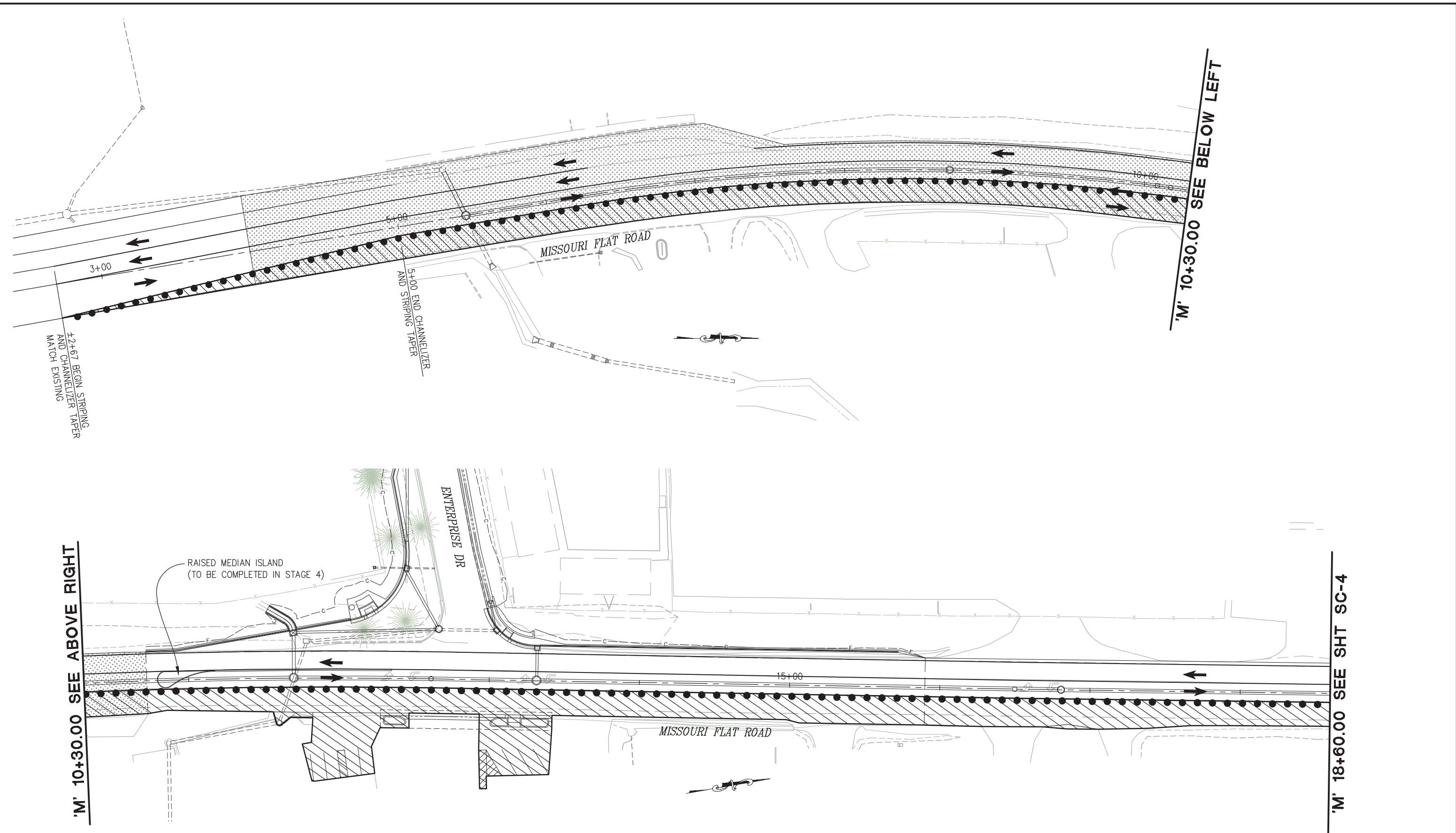


**COUNTY OF EL DORADO
DEPARTMENT OF TRANSPORTATION**

**ENTERPRISE DR AND INDUSTRIAL DR
INTERSECTION IMPROVEMENTS**

SHEET
SC-9
45 OF 65
CONTRACT NO.
6286

ORIGINAL SCALE IS IN INCHES
 Drawing name: Z:\Civil_3D\Projects\73365_73366 Enterprise-Industrial\CADD_Files\Sheets\SC-Sheets.dwg Layout Tab: SC-10 Mar 29, 2023 6:09am smrcvay
 FOR REDUCED PLANS



'M' 10+30.00 SEE ABOVE RIGHT

'M' 10+30.00 SEE BELOW LEFT

'M' 18+60.00 SEE SHT SC-4

STAGE CONSTRUCTION
 (STAGE 3)
 SCALE : 1" = 30'

REVISION	NUMBER	DATE	DESCRIPTION	BY



PREPARED UNDER THE SUPERVISION OF :

 REGISTERED CIVIL ENGINEER
 DATE: 4/18/23

DESIGNED: DWH
 CHECKED: DWH
 ROAD NUMBER: 009
 DRAWN: SGM
 DATE: 03/29/23



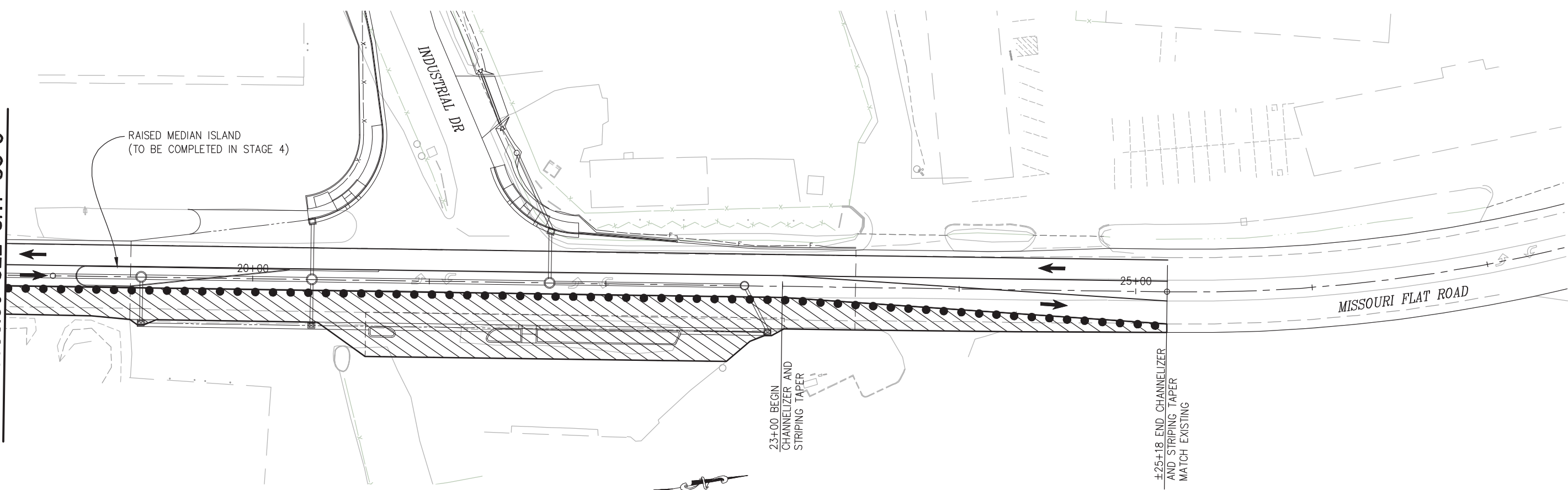
COUNTY OF EL DORADO
 DEPARTMENT OF TRANSPORTATION

ENTERPRISE DR AND INDUSTRIAL DR
 INTERSECTION IMPROVEMENTS

SHEET
SC-10
 46 OF 65
 CONTRACT NO.
6286

ORIGINAL SCALE IS IN INCHES
 Drawing name: Z:\Civil_3D_Projects\73365_73366 Enterprise-Industrial\CADD_Files\Sheets\SC-Street\SC-Street.dwg Layout Tab: SC-11 Mar 29, 2023 6:09am smcvey
 FOR REDUCED PLANS

'M' 18+60.00 SEE SHT SC-3



STAGE CONSTRUCTION
(STAGE 3)
SCALE : 1" = 30'

REVISION	NUMBER	DATE	DESCRIPTION	BY



PREPARED UNDER THE SUPERVISION OF :

 REGISTERED CIVIL ENGINEER
 DATE: 4/18/23

DESIGNED: DWH
 CHECKED: DWH
 ROAD NUMBER: 009
 DRAWN: SGM
 DATE: 03/29/23

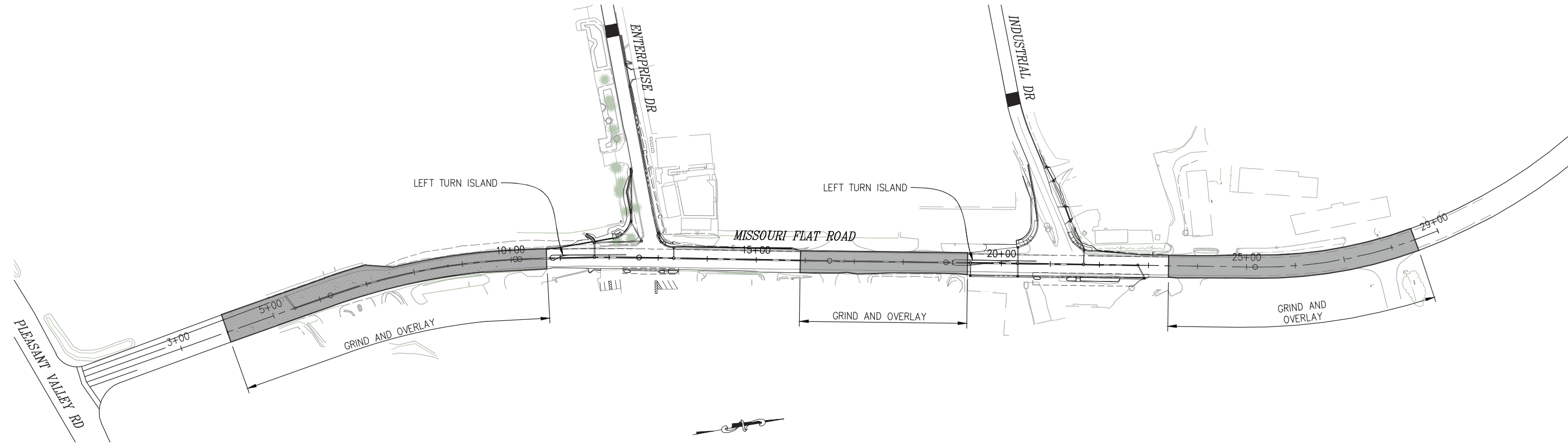


COUNTY OF EL DORADO
DEPARTMENT OF TRANSPORTATION

ENTERPRISE DR AND INDUSTRIAL DR
INTERSECTION IMPROVEMENTS

SHEET
SC-11
 47 OF 65
 CONTRACT NO.
6286

ORIGINAL SCALE IS IN INCHES
 Drawing name: Z:\Civil 3D Projects\73365 73366 Enterprise-Industrial\CADD Files\Sheets\SC-Sheets.dwg Layout Tab: SC-12 Mar 29, 2023 6:09am srtvcy
 FOR REDUCED PLANS
 2
 1
 0



STAGE 4 OVERVIEW

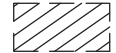







SCALE: 1"=100'

SEE SHEET SC-1 FOR GENERAL STAGE CONSTRUCTION NOTES.

STAGE 4 CONSTRUCTION NOTES:

- STAGE 4 IS INTENDED TO CONSTRUCT:
 - RAISED LEFT TURN ISLANDS LOCATED IN MISSOURI FLAT RD AT THE ENTERPRISE RD AND INDUSTRIAL RD INTERSECTIONS.
 - GRINDING AND OVERLAY ON MISSOURI FLAT RD.
 - FINAL LIFT OF HMA.
 - FINAL STRIPING AND DELINEATION.
 - ANY AND ALL REMAINING CONSTRUCTION ITEMS NOT COMPLETED IN PREVIOUS STAGES.

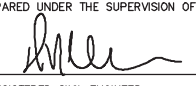
LEGEND:

-  — CONSTRUCTION THIS STAGE
-  — TEMPORARY RAIL (TYPE K)
-  — TEMPORARY CRASH CUSHION ARRAY (ABSORB 350 OR EQUAL)
-  — CONSTRUCTION SIGN
-  — CHANNELIZER DRUMS
-  — DIRECTION OF TRAFFIC
-  — PORTABLE TEMPORARY SIGNAL
-  — PORTABLE TEMPORARY SIGNAL DRIVEWAY ASSISTANCE DEVICE

STAGE CONSTRUCTION (STAGE 4)
SCALE : AS SHOWN

REVISION	NUMBER	DATE	DESCRIPTION	BY



PREPARED UNDER THE SUPERVISION OF :

 REGISTERED CIVIL ENGINEER
 DATE: 4/18/23

DESIGNED: DWH
 DRAWN: SGM
 CHECKED: DWH
 DATE: 03/29/23
 ROAD NUMBER: 009



COUNTY OF EL DORADO
DEPARTMENT OF TRANSPORTATION

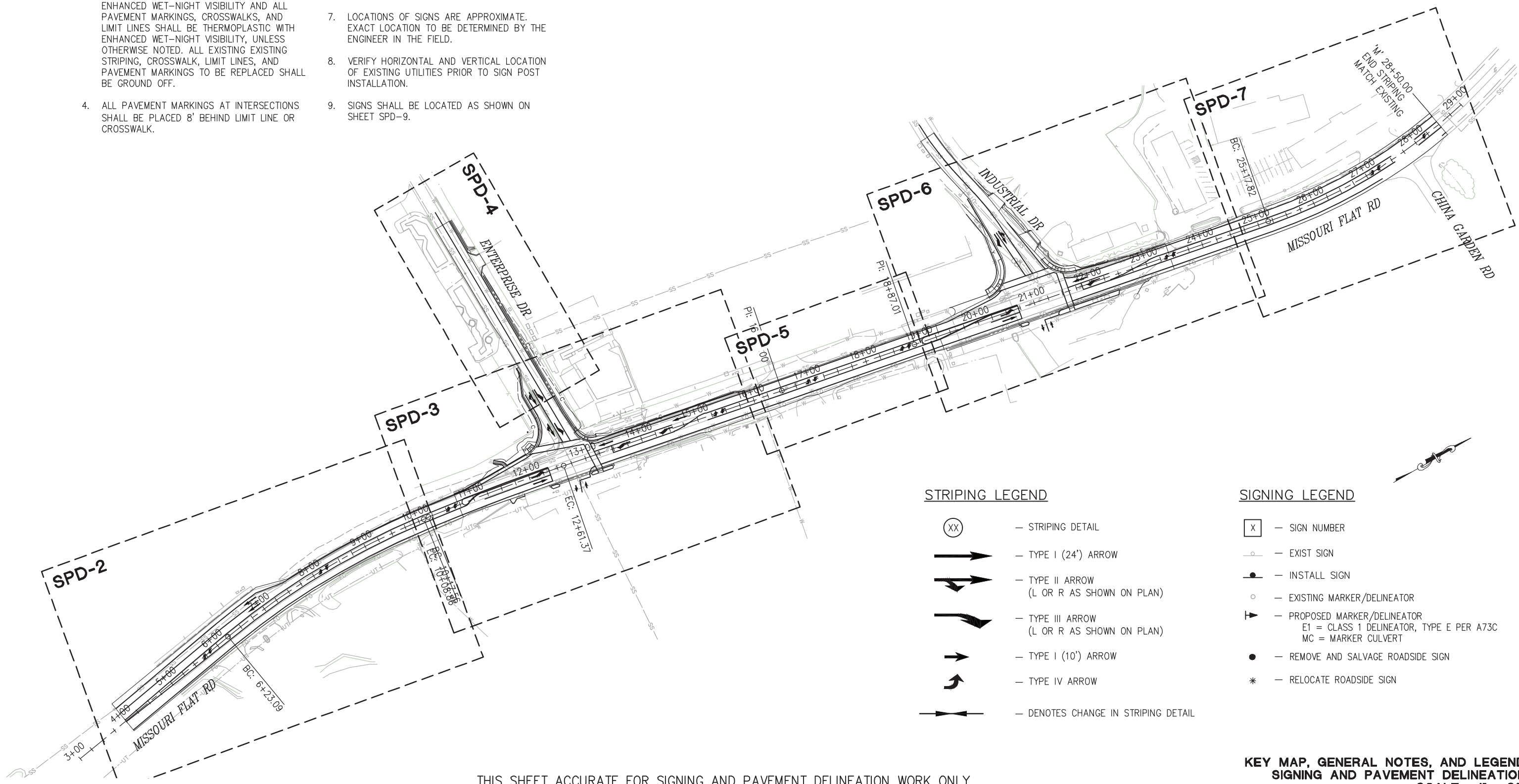
ENTERPRISE DR AND INDUSTRIAL DR
INTERSECTION IMPROVEMENTS

SHEET
SC-12
 48 OF 65
 CONTRACT NO.
6286

ORIGINAL SCALE IS IN INCHES
 Drawing name: Z:\Civil_3D\Projects\73365_73366 Enterprise-Industrial\CADD_Files\Sheets\SPD-Sheets.dwg Layout Tab: SPD-1 Mar 29, 2023 6:13am smcvey
 FOR REDUCED PLANS
 2
 1
 0

GENERAL NOTES

1. THIS PLAN IS ACCURATE FOR SIGNING AND PAVEMENT DELINEATION ONLY. SEE "SC" SHEETS FOR CONSTRUCTION AREA SIGNS.
2. ALL PAVEMENT MARKERS SHALL BE RETROREFLECTIVE-RECESSED PER RSP A20D.
3. ALL STRIPING SHALL BE THERMOPLASTIC WITH ENHANCED WET-NIGHT VISIBILITY AND ALL PAVEMENT MARKINGS, CROSSWALKS, AND LIMIT LINES SHALL BE THERMOPLASTIC WITH ENHANCED WET-NIGHT VISIBILITY, UNLESS OTHERWISE NOTED. ALL EXISTING STRIPING, CROSSWALK, LIMIT LINES, AND PAVEMENT MARKINGS TO BE REPLACED SHALL BE GROUND OFF.
4. ALL PAVEMENT MARKINGS AT INTERSECTIONS SHALL BE PLACED 8' BEHIND LIMIT LINE OR CROSSWALK.
5. LIMIT LINE SIDE OF CROSSWALK STRIPING SHALL BE PLACED BY STATION AND OFFSET SHOWN ON PLANS. CROSSWALK STRIPING SHALL BE PER STD PLAN A24F AT 10' C-C. LIMIT LINES SHALL BE PER RSP A24G.
6. ALL PAVEMENT MARKINGS ARE PER CALTRANS STANDARD PLANS.
7. LOCATIONS OF SIGNS ARE APPROXIMATE. EXACT LOCATION TO BE DETERMINED BY THE ENGINEER IN THE FIELD.
8. VERIFY HORIZONTAL AND VERTICAL LOCATION OF EXISTING UTILITIES PRIOR TO SIGN POST INSTALLATION.
9. SIGNS SHALL BE LOCATED AS SHOWN ON SHEET SPD-9.
10. ALL SIGN CODES ARE FEDERAL SIGN CODES UNLESS DESIGNATED AS CALIFORNIA SIGN CODES.
11. EXISTING SIGNS ON METAL POSTS MUST BE RELOCATED ON NEW FOUNDATIONS. SEE SHEET SPD-9 FOR POST INSTALLATION DETAILS.



STRIPING LEGEND

- (XX) — STRIPING DETAIL
- — TYPE I (24') ARROW
- ↔ — TYPE II ARROW (L OR R AS SHOWN ON PLAN)
- ↘ — TYPE III ARROW (L OR R AS SHOWN ON PLAN)
- — TYPE I (10') ARROW
- ↪ — TYPE IV ARROW
- — DENOTES CHANGE IN STRIPING DETAIL

SIGNING LEGEND

- [X] — SIGN NUMBER
- — EXIST SIGN
- — INSTALL SIGN
- — EXISTING MARKER/DELINEATOR
- ▶ — PROPOSED MARKER/DELINEATOR
E1 = CLASS 1 DELINEATOR, TYPE E PER A73C
MC = MARKER CULVERT
- — REMOVE AND SALVAGE ROADSIDE SIGN
- * — RELOCATE ROADSIDE SIGN

**KEY MAP, GENERAL NOTES, AND LEGEND
SIGNING AND PAVEMENT DELINEATION
SCALE : 1" = 80'**

THIS SHEET ACCURATE FOR SIGNING AND PAVEMENT DELINEATION WORK ONLY

REVISION	NUMBER	DATE	DESCRIPTION	BY



PREPARED UNDER THE SUPERVISION OF :

 REGISTERED CIVIL ENGINEER
 DATE: 4/18/23

DESIGNED: DWH
 DRAWN: SGM
 CHECKED: DWH
 DATE: 03/29/23
 ROAD NUMBER: 009

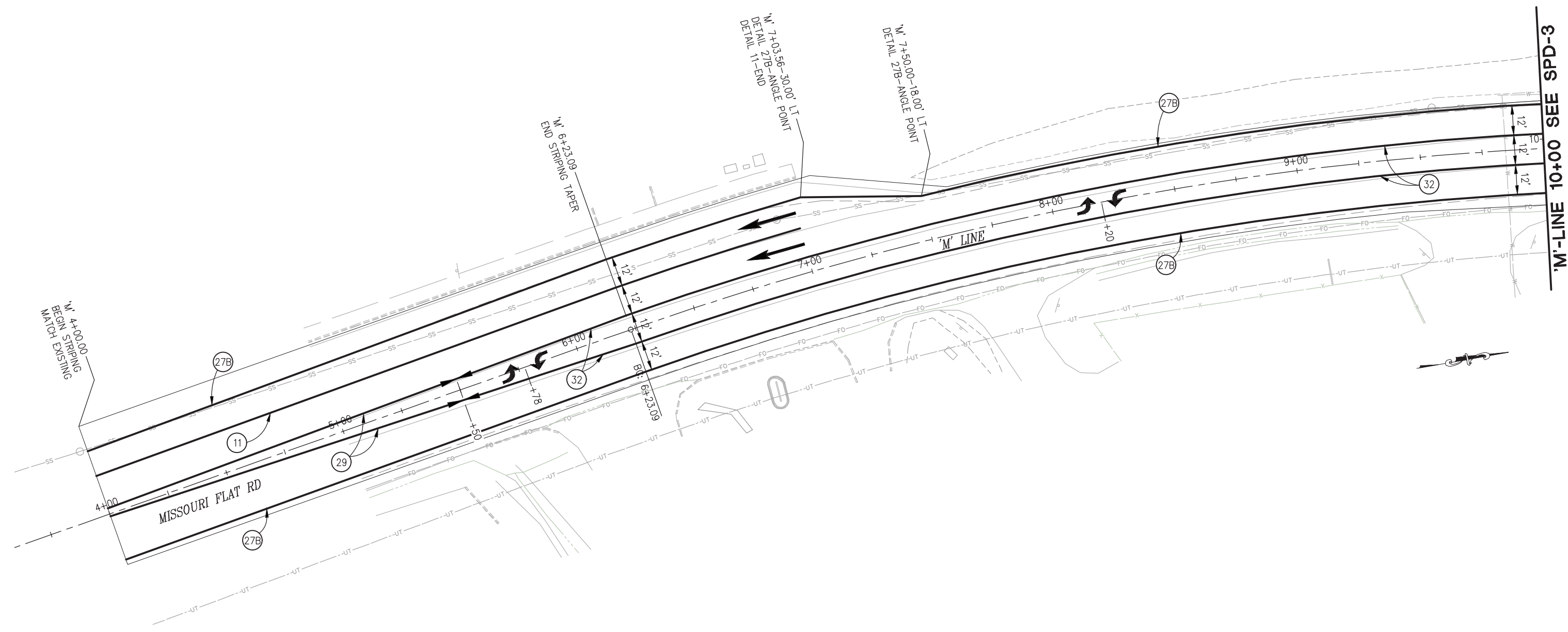


**COUNTY OF EL DORADO
DEPARTMENT OF TRANSPORTATION**

**ENTERPRISE DR AND INDUSTRIAL DR
INTERSECTION IMPROVEMENTS**

SHEET
SPD-1
 49 OF 65
 CONTRACT NO
6286

ORIGINAL SCALE IS IN INCHES
 Drawing name: Z:\Civil_3D\Projects\73365\73366 Enterprise-Industrial\CADD\Files\Sheets\SPD-Sheets.dwg Layout Tab: SPD-2 Mar 29, 2023 - 6:13am smevey
 FOR REDUCED PLANS



THIS SHEET ACCURATE FOR SIGNING AND PAVEMENT DELINEATION WORK ONLY

SIGNING AND PAVEMENT DELINEATION
 SCALE : 1" = 20'

REVISION	NUMBER	DATE	DESCRIPTION	BY



PREPARED UNDER THE SUPERVISION OF :
[Signature]
 REGISTERED CIVIL ENGINEER
 DATE: 4/18/23

DESIGNED: DWH
 DRAWN: SGM
 CHECKED: DWH
 DATE: 03/29/23
 ROAD NUMBER: 009

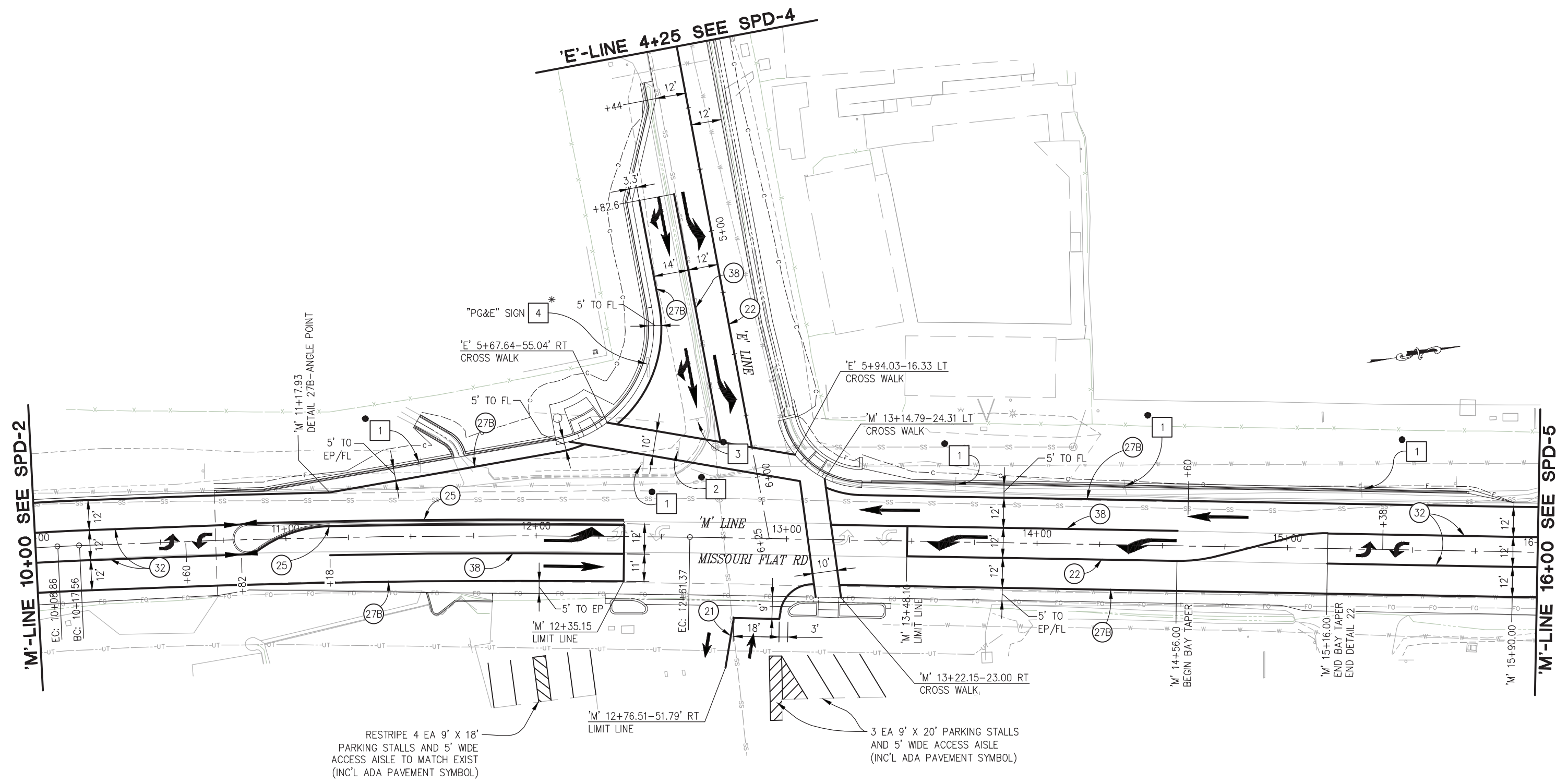


COUNTY OF EL DORADO
DEPARTMENT OF TRANSPORTATION

ENTERPRISE DR AND INDUSTRIAL DR
INTERSECTION IMPROVEMENTS

SHEET
SPD-2
 50 OF 65
 CONTRACT NO
6286

ORIGINAL SCALE IS IN INCHES
 Drawing name: Z:\Civil_3D\Projects\73365 Enterprise-Industrial\CADD\Files\Sheets\SPD-Sheets.dwg Layout Tab: SPD-3 Mar 29,2023 - 6:14am smevey
 FOR REDUCED PLANS



THIS SHEET ACCURATE FOR SIGNING AND PAVEMENT DELINEATION WORK ONLY

SIGNING AND PAVEMENT DELINEATION
SCALE : 1" = 20'

REVISION	NUMBER	DATE	DESCRIPTION	BY



PREPARED UNDER THE SUPERVISION OF :

 REGISTERED CIVIL ENGINEER
 DATE: 4/18/23

DESIGNED: DWH
 DRAWN: SGM
 CHECKED: DWH
 DATE: 03/29/23
 ROAD NUMBER: 009

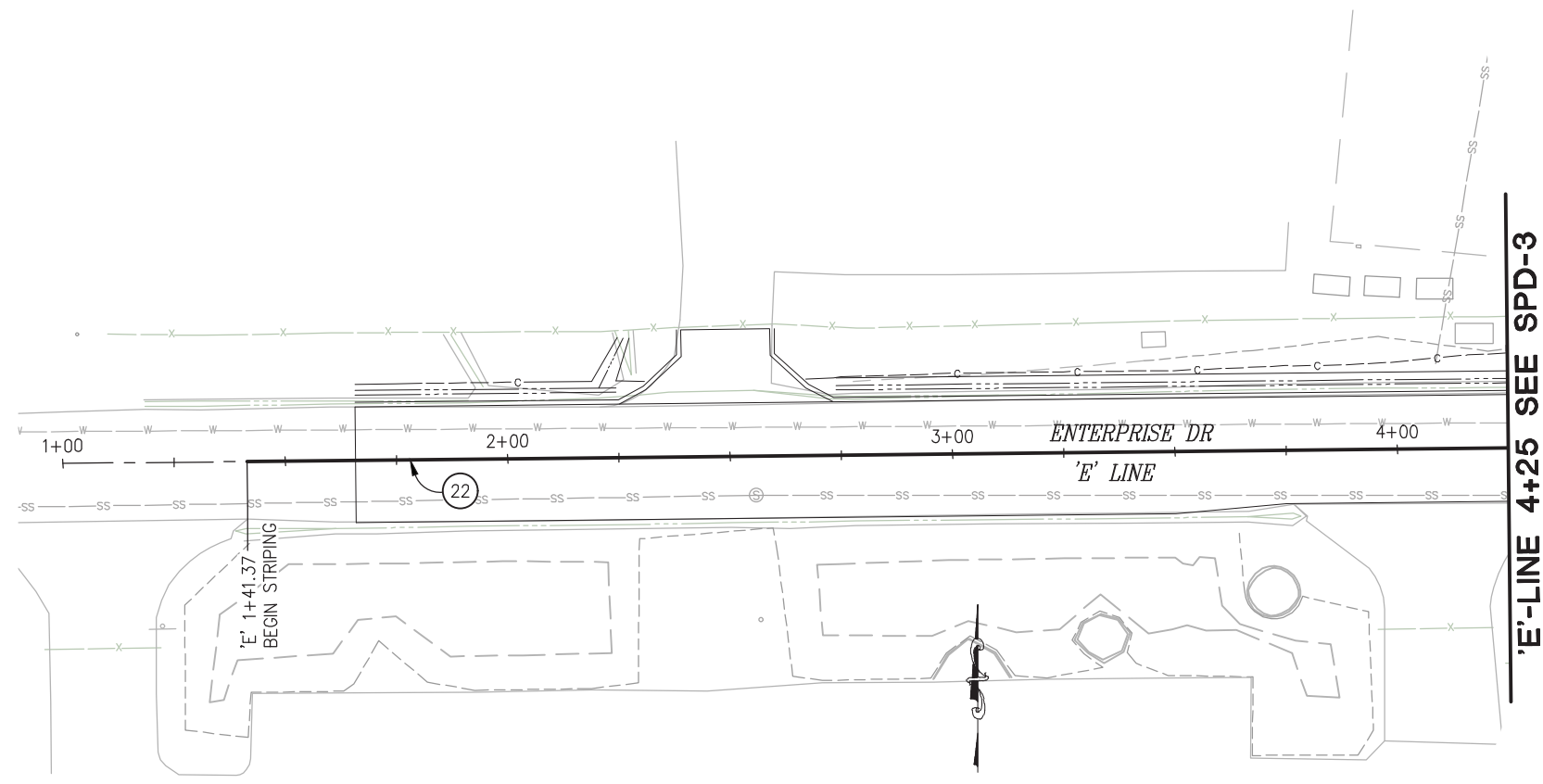


COUNTY OF EL DORADO
DEPARTMENT OF TRANSPORTATION

ENTERPRISE DR AND INDUSTRIAL DR
INTERSECTION IMPROVEMENTS

SHEET
SPD-3
 51 OF 65
 CONTRACT NO
6286

ORIGINAL SCALE IS IN INCHES
 Drawing name: Z:\Civil 3D Projects\73365 73366 Enterprise-Industrial\CADD Files\Sheets\SPD-Sheets.dwg Layout Tab: SPD-4 Mar 29,2023 - 6:14am smevey
 FOR REDUCED PLANS
 REVISION

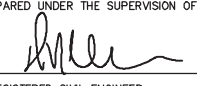


THIS SHEET ACCURATE FOR SIGNING AND PAVEMENT DELINEATION WORK ONLY

SIGNING AND PAVEMENT DELINEATION
SCALE : 1" = 20'

NUMBER	DATE	DESCRIPTION	BY



PREPARED UNDER THE SUPERVISION OF :

 REGISTERED CIVIL ENGINEER
 DATE: 4/18/23

DESIGNED: DWH
 CHECKED: DWH
 ROAD NUMBER: 009
 DRAWN: SGM
 DATE: 03/29/23

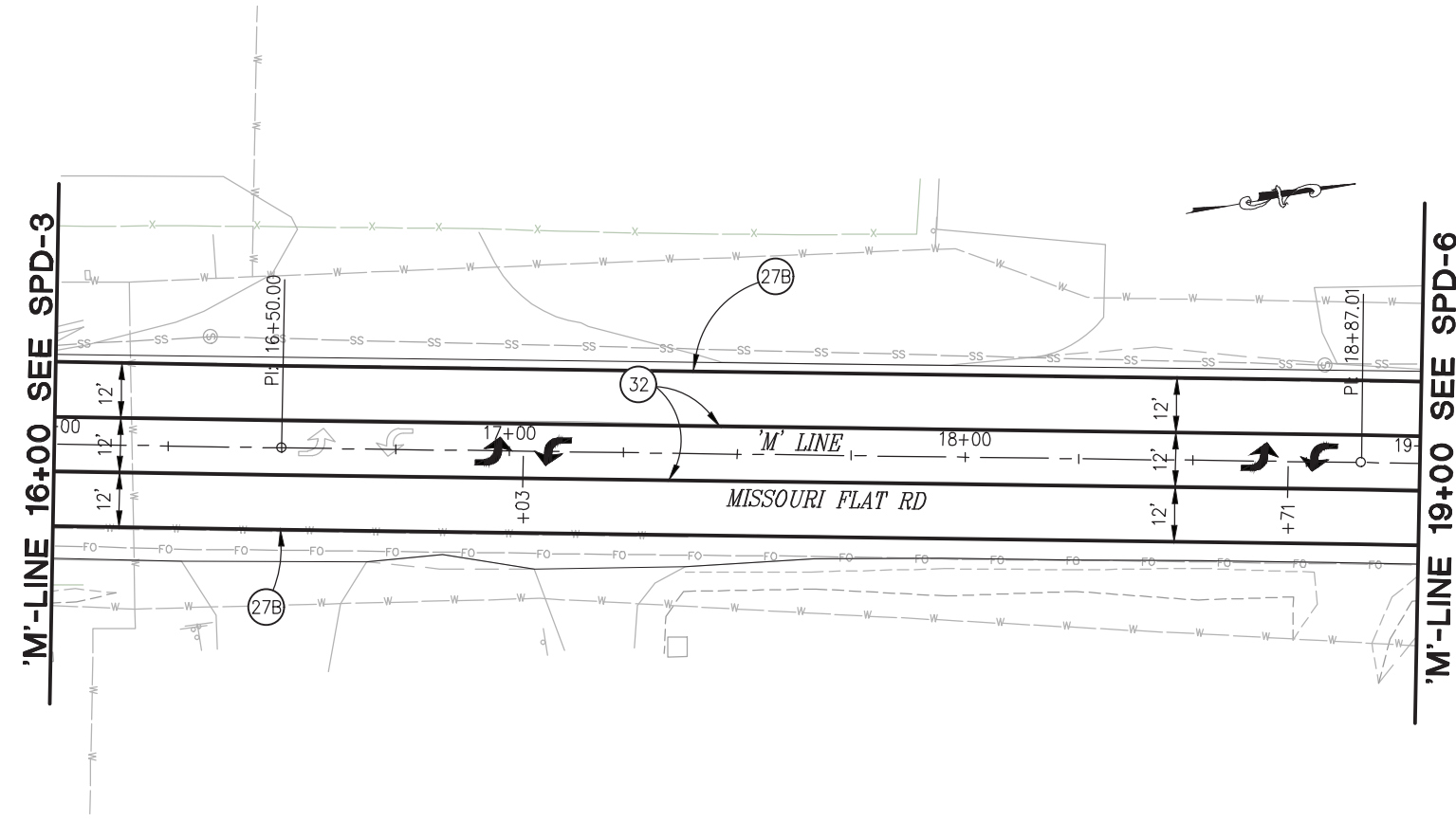


COUNTY OF EL DORADO
DEPARTMENT OF TRANSPORTATION

ENTERPRISE DR AND INDUSTRIAL DR
INTERSECTION IMPROVEMENTS

SHEET
SPD-4
 52 OF 65
 CONTRACT NO
6286

ORIGINAL SCALE IS IN INCHES
 Drawing name: Z:\Civil 3D Projects\73365 73366 Enterprise-Industrial\CADD Files\Sheets\SPD-Sheets.dwg Layout Tab: SPD-5 Mar 29,2023 - 6:14am smevey
 FOR REDUCED PLANS
 0 1 2



THIS SHEET ACCURATE FOR SIGNING AND PAVEMENT DELINEATION WORK ONLY

SIGNING AND PAVEMENT DELINEATION
SCALE : 1" = 20'

REVISION	NUMBER	DATE	DESCRIPTION	BY



PREPARED UNDER THE SUPERVISION OF :

 REGISTERED CIVIL ENGINEER
 DATE: 4/18/23

DESIGNED: DWH
 CHECKED: DWH
 ROAD NUMBER: 009
 DRAWN: SGM
 DATE: 03/29/23

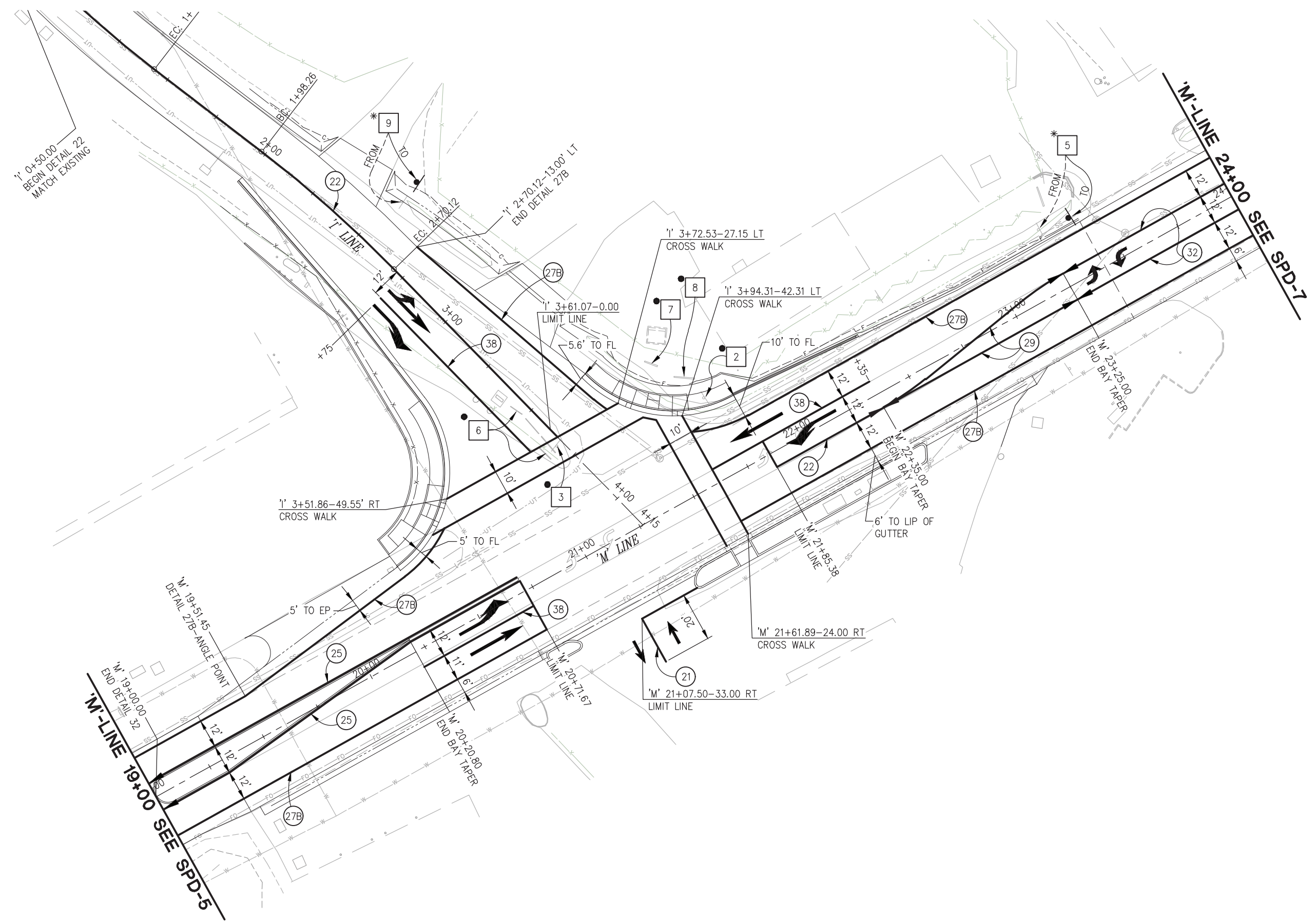


COUNTY OF EL DORADO
DEPARTMENT OF TRANSPORTATION

ENTERPRISE DR AND INDUSTRIAL DR
INTERSECTION IMPROVEMENTS

SHEET
SPD-5
 53 OF 65
 CONTRACT NO
6286

ORIGINAL SCALE IS IN INCHES
 Drawing name: Z:\Civil_3D\Projects\73365_73366 Enterprise-Industrial\CADD_Files\Sheets\SPD-Sheets.dwg Layout Tab: SPD-6 Mar 29,2023 6:15am smovey
 FOR REDUCED PLANS



THIS SHEET ACCURATE FOR SIGNING AND PAVEMENT DELINEATION WORK ONLY

SIGNING AND PAVEMENT DELINEATION
 SCALE : 1" = 20'



PREPARED UNDER THE SUPERVISION OF:
[Signature]
 REGISTERED CIVIL ENGINEER
 DATE: 4/18/23

DESIGNED: DWH
 DRAWN: SGM
 CHECKED: DWH
 DATE: 03/29/23
 ROAD NUMBER: 009

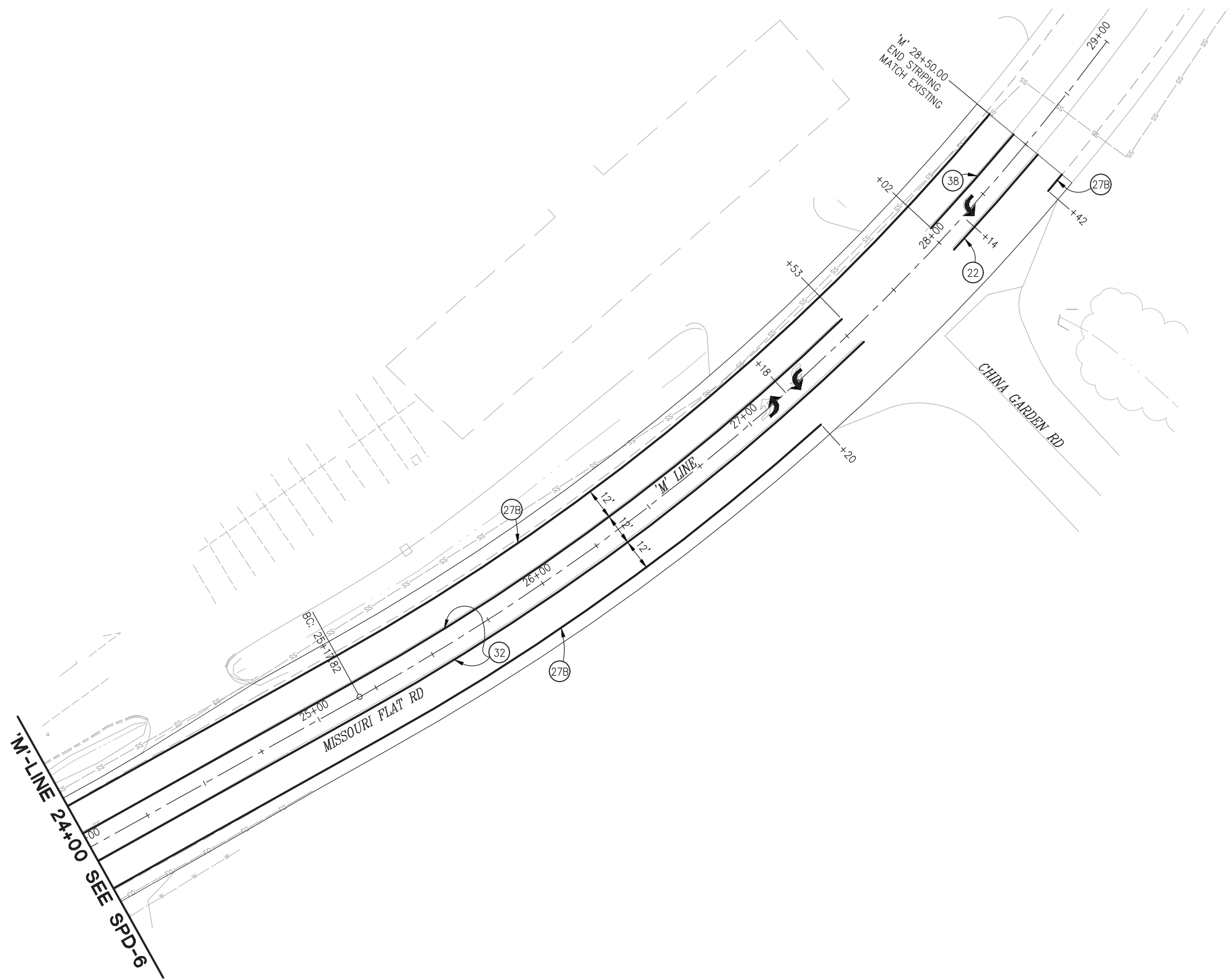


COUNTY OF EL DORADO
DEPARTMENT OF TRANSPORTATION

ENTERPRISE DR AND INDUSTRIAL DR
INTERSECTION IMPROVEMENTS

SHEET
SPD-6
 54 OF 65
 CONTRACT NO
6286

ORIGINAL SCALE IS IN INCHES
 Drawing name: Z:\Civil_3D\Projects\73365_73366 Enterprise-Industrial\CADD_Files\Sheets\SPD-Sheets.dwg Layout Tab: SPD-7 Mar 29,2023 - 6:15am smevey
 FOR REDUCED PLANS
 2
 1
 0



THIS SHEET ACCURATE FOR SIGNING AND PAVEMENT DELINEATION WORK ONLY

SIGNING AND PAVEMENT DELINEATION
SCALE : 1" = 20'

REVISION	NUMBER	DATE	DESCRIPTION	BY



PREPARED UNDER THE SUPERVISION OF :
[Signature]
 REGISTERED CIVIL ENGINEER
 DATE: 4/18/23

DESIGNED: DWH
 CHECKED: DWH
 ROAD NUMBER: 009
 DRAWN: SGM
 DATE: 03/29/23



COUNTY OF EL DORADO
DEPARTMENT OF TRANSPORTATION

ENTERPRISE DR AND INDUSTRIAL DR
INTERSECTION IMPROVEMENTS

SHEET
SPD-7
 55 OF 65
 CONTRACT NO
6286

ORIGINAL SCALE IS IN INCHES
 Drawing name: Z:\Civil_3D_Projects\73365_73366 Enterprise-Industrial\CADD_Files\Sheets\SPD-Sheets.dwg Layout Tab: SPD-8 Mar 29,2023 - 6:15am smovey
 FOR REDUCED PLANS

SIGN QUANTITIES										
SIGN NO.	SIGN	CALIFORNIA MUTCD CODE	PANEL SIZE (INCHES)	ROADSIDE SIGNS				EXISTING LOCATION	PROPOSED LOCATION (APPROXIMATE)	REMARKS
				INSTALL (STRAP & SADDLE) EA	ONE POST EA	RELOCATE EA	REMOVE EA			
1	"NO PARKING"	R26(CA)				1		'M' 11+52 LT	'M' 11+52 LT	
							1	'M' 12+54 LT		
								'M' 13+66 LT	'M' 13+66 LT	
						3		'M' 14+34 LT	'M' 14+34 LT	
								'M' 15+29 LT	'M' 15+29 LT	
2	STREET NAME SIGN						2	'M' 12+56 LT		
								'M' 21+73 LT		
3	"SIGNAL AHEAD"	W3-3	36 x 36			6				
4	"NO TURN ON RED"	R13A(CA)	18 x 30	1						
					1					
						1				
5	"SPEED LIMIT 45"	R2-1				1		'M' 23+25 LT	'M' 23+38-25' LT	RELOCATE w/ METAL POST
6	"STOP"	R1-1					1	'M' 12+64 LT		
7	"NO OUTLET"	W14-2				1		'I' 2+53 LT	'I' 2+53 LT	
TOTAL				2	8	7	3			

PAVEMENT MARKING				
DESCRIPTION	THERMOPLASTIC FT2	DETAIL	STANDARD DRAWING	REMARKS
STRAIGHT ARROW	217	TYPE I (24)	A24A	7 @ 31 FT2
STRAIGHT ARROW	56	TYPE I (10)	A24A	4 @ 14 FT2
STRAIGHT/LEFT ARROW	45	TYPE II (L)	A24B	1 @ 45 FT2
STRAIGHT/RIGHT ARROW	90	TYPE II (R)	A24B	2 @ 45 FT2
LEFT TURN ARROW	294	TYPE III (L)	A24B	7 @ 42 FT2
RIGHT TURN ARROW	42	TYPE III (R)	A24B	1 @ 42 FT2
LEFT TURN ARROW	255	TYPE IV (L)	A24A	17 @ 15 FT2
LIMIT/CROSSWALK LINE	744	-	A24E/A24F	744 LF @ 1 WIDE
TOTAL	1743			

SIGNING AND PAVEMENT DELINEATION
SCALE : NONE



PREPARED UNDER THE SUPERVISION OF :

 REGISTERED CIVIL ENGINEER
 DATE: 4/18/23

DESIGNED: DWH
 CHECKED: DWH
 ROAD NUMBER: 009
 DRAWN: SGM
 DATE: 03/29/23



COUNTY OF EL DORADO
DEPARTMENT OF TRANSPORTATION

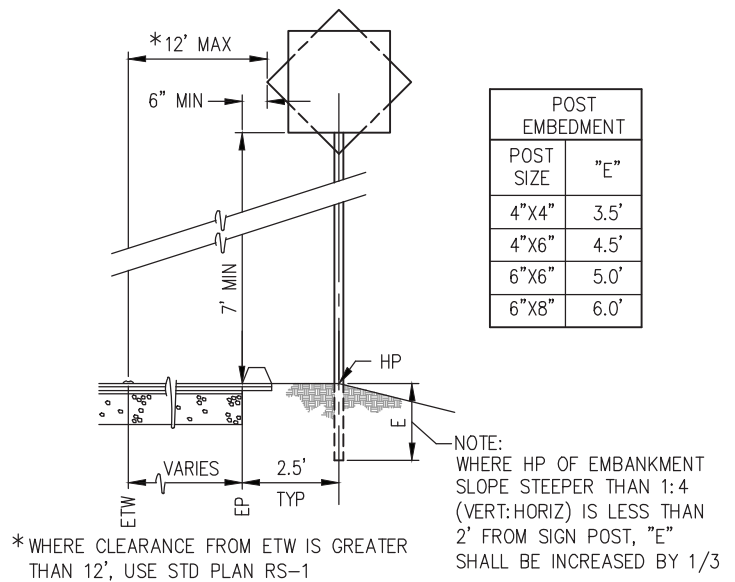
ENTERPRISE DR AND INDUSTRIAL DR
INTERSECTION IMPROVEMENTS

SHEET
SPD-8
 56 OF 65
 CONTRACT NO.
6286

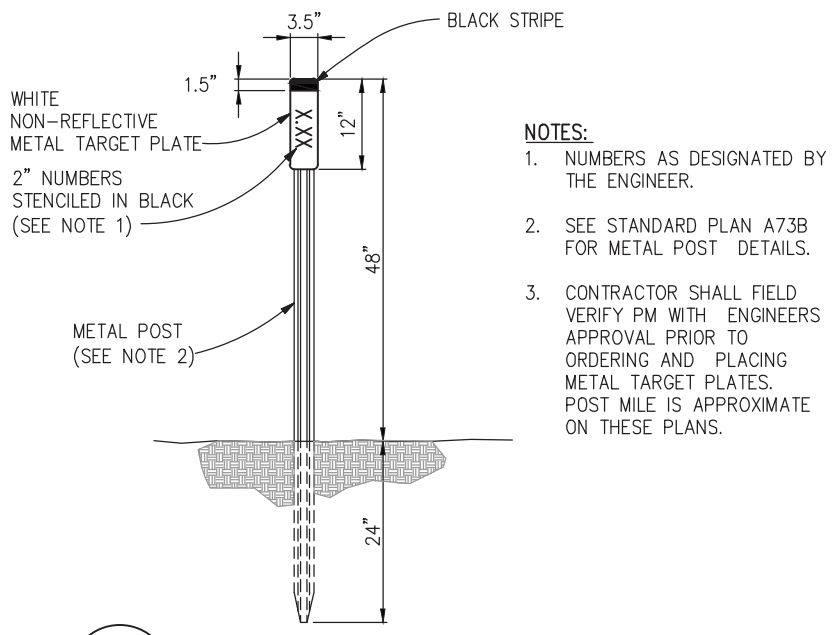
ORIGINAL SCALE IS IN INCHES
 Drawing name: Z:\Civil_3D\Projects\73365\73366 Enterprise-Industrial\CADD_Files\Sheets\SPD-Sheets.dwg Layout Tab: SPD-9 Mar 29, 2023 - 6:16am smovey
 FOR REDUCED PLANS
 REVISION

2
 1
 0

THERMOPLASTIC STRIPING & PAVEMENT MARKERS								
STANDARD PLAN NO.	FROM	TO	SPRAYABLE THERMOPLASTIC		PAVEMENT MARKER (RECESSED RETROREFLECTIVE)			REMARKS
			WHITE FT	YELLOW FT	TYPE D EA	TYPE G EA	TYPE RY EA	
DETAIL 11	'M' 4+00 LT	'M' 7+00 LT	301					
DETAIL 21	'M' 12+88 RT	'M' 12+88 RT		27				DRIVEWAY ENTRANCE
	'M' 21+16 RT	'M' 21+16 RT		15				DRIVEWAY ENTRANCE
DETAIL 22	'M' 13+48 RT	'M' 15+16 LT		169	16			
	'E' 1+41.4	'E' 5+62.5		443	38			
	'M' 21+85.38	'M' 22+35		50	6			
	'I' 1+50	'I' 3+61		311	26			
	'M' 28+02 RT	'M' 28+50 RT		48	4			
DETAIL 25	'M' 10+82 LT	'M' 12+35 LT		153			5	
	'M' 10+82 RT	'M' 12+35 RT		154			5	
	'M' 19+00 LT	'M' 20+71 LT		171			5	
	'M' 19+00 RT	'M' 20+71 RT		172			5	
DETAIL 27B	'M' 4+00 LT	'M' 12+19 LT	830					
	'M' 4+00 RT	'M' 12+35 RT	829					
	'M' 13+15 LT	'M' 20+55 LT	743					
	'M' 12+98 RT	'M' 20+71.67 RT	742					
	'E' 4+83 RT	'E' 5+68 RT	96					
	'M' 21+62 LT	'M' 28+50 LT	682					
	'M' 21+62 RT	'M' 27+20 RT	562					
	'I' 2+70 LT	'I' 3+72 LT	102					
	'M' 28+42 RT	'M' 28+50 RT	8					
	DETAIL 29	'M' 4+00	'M' 5+50		300	14		
'M' 22+35		'M' 23+25		181	8			
DETAIL 32	'M' 5+50	'M' 10+82		1064	56			
	'M' 15+16	'M' 19+00		768	40			
	'M' 23+25	'M' 27+53		856	46			
DETAIL 38	'M' 11+46 RT	'M' 12+35 RT	89				5	
	'M' 13+22 LT	'M' 14+56 LT	134				7	
	'E' 4+83 RT	'E' 5+80 RT	97				5	
	'M' 20+20 RT	'M' 20+72 RT	51				4	
	'M' 21+66 LT	'M' 22+35 LT	69				4	
	'I' 2+75 RT	'I' 3+58 RT	83				5	
	'M' 28+02 LT	'M' 28+50 LT	48				3	
SUBTOTAL			5466	4882	254	33	20	
TOTAL			10348			307		



1 SIGN LOCATION DETAIL
 NTS
 SEE ALSO STD PLAN RS-2



2 MARKER (CULVERT)
 NTS

SIGNING AND PAVEMENT DELINEATION SCALE : NONE



PREPARED UNDER THE SUPERVISION OF:
[Signature]
 REGISTERED CIVIL ENGINEER
 DATE: 4/18/23

DESIGNED: DWH
 DRAWN: SGM
 CHECKED: DWH
 DATE: 03/29/23
 ROAD NUMBER: 009

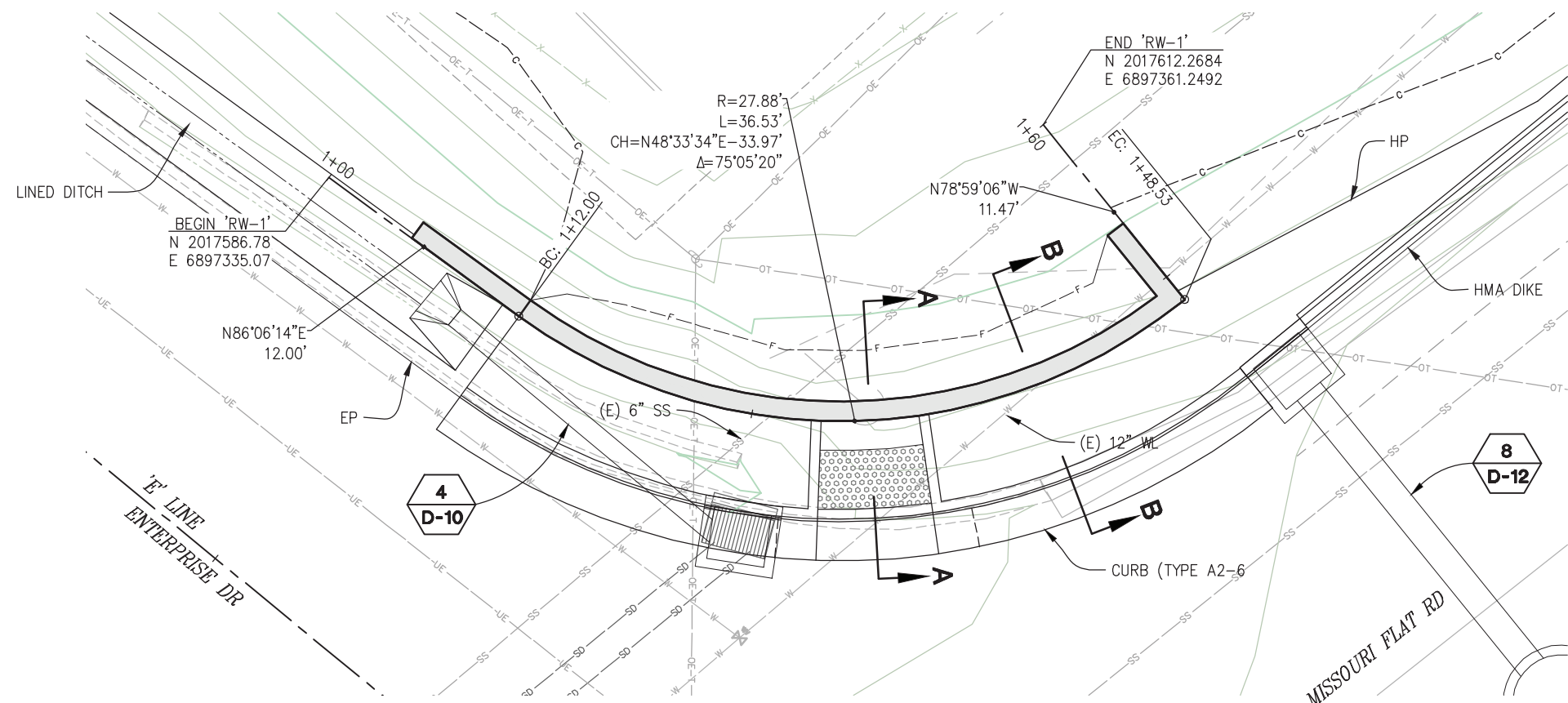


COUNTY OF EL DORADO DEPARTMENT OF TRANSPORTATION

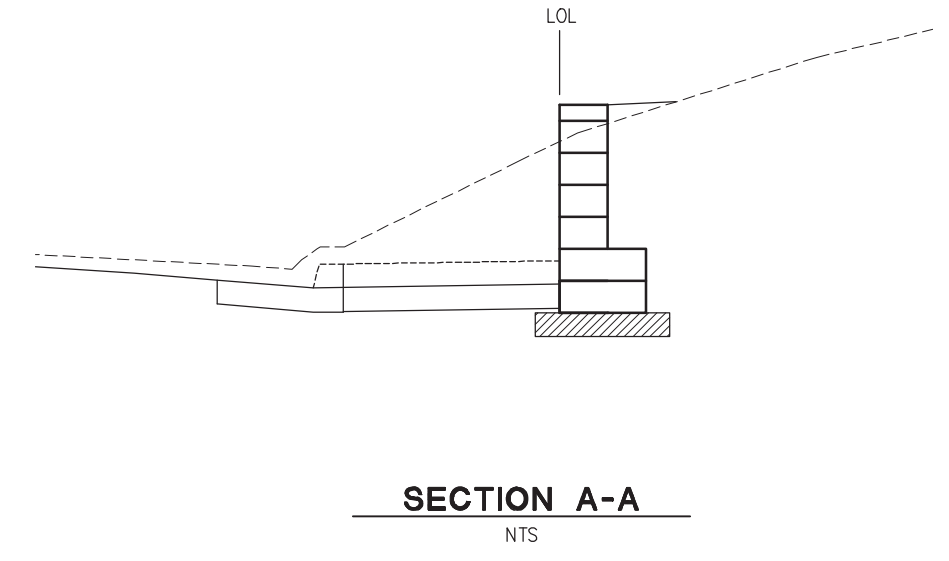
ENTERPRISE DR AND INDUSTRIAL DR INTERSECTION IMPROVEMENTS

SHEET
SPD-9
 57 OF 65
 CONTRACT NO
6286

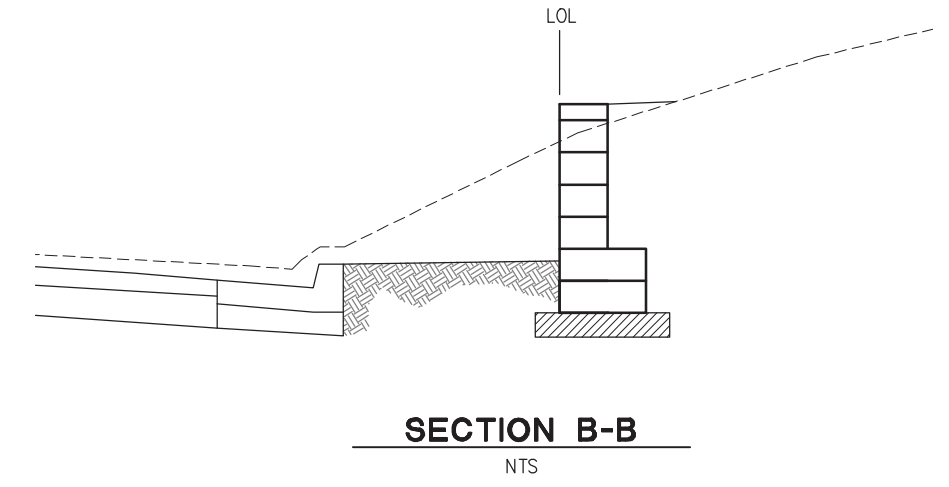
ORIGINAL SCALE IS IN INCHES
 Drawing name: Z:\Civil_3D\Projects\73365\73366 Enterprise-Industrial\CADD_Files\Sheets\RW-Sheets.dwg Layout Tab: RW-1 Mar 29, 2023 8:18am smovey
 FOR REDUCED PLANS



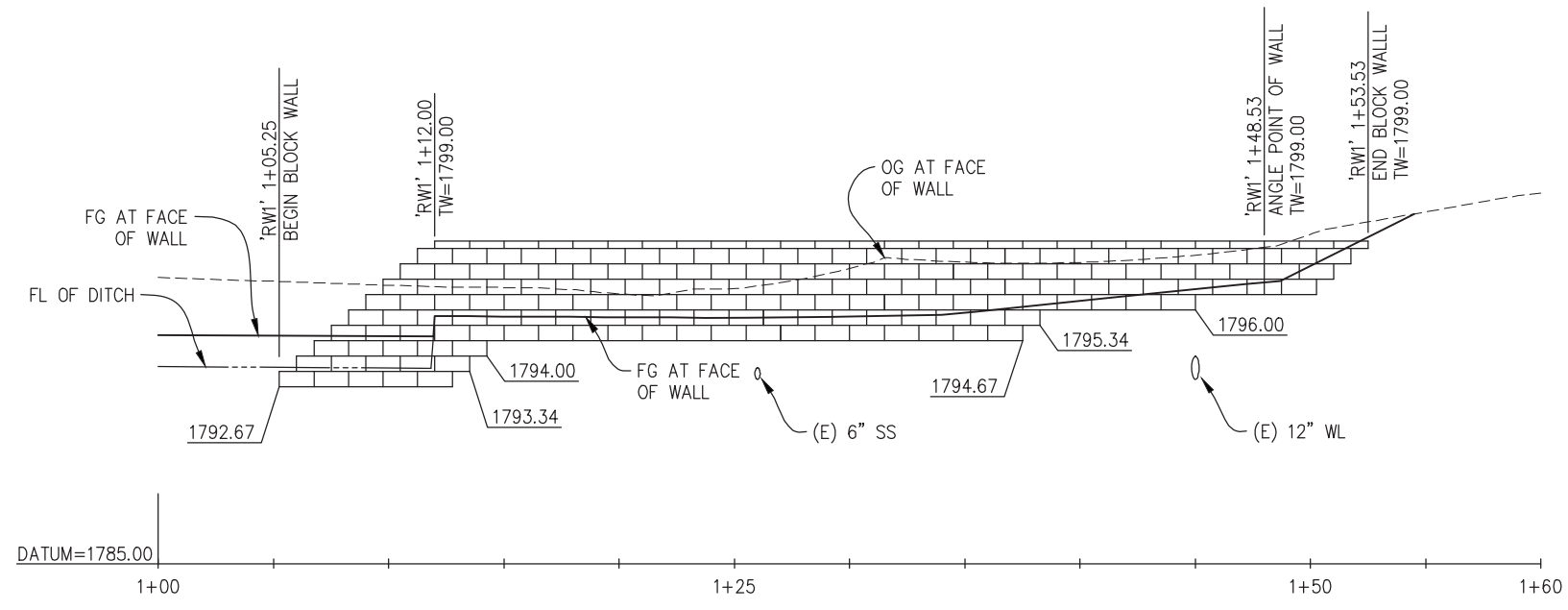
'RW-1' - PLAN
 SCALE: 1"=4'



SECTION A-A
 NTS



SECTION B-B
 NTS



'RW-1' - ELEVATION
 SCALE: 1"=4' H, V

RETAINING WALL 'RW-1'
SCALE : AS SHOWN

REVISION	NUMBER	DATE	DESCRIPTION	BY



PREPARED UNDER THE SUPERVISION OF :

 REGISTERED CIVIL ENGINEER
 DATE: 4/18/23

DESIGNED: DWH
 DRAWN: SGM
 CHECKED: DWH
 DATE: 03/29/23
 ROAD NUMBER: 009

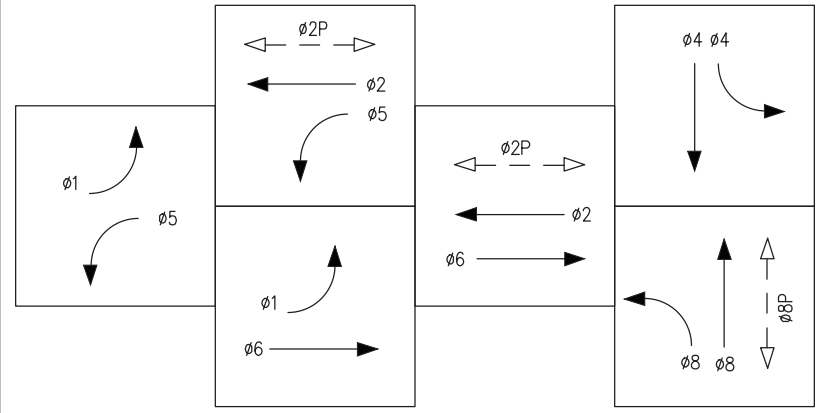
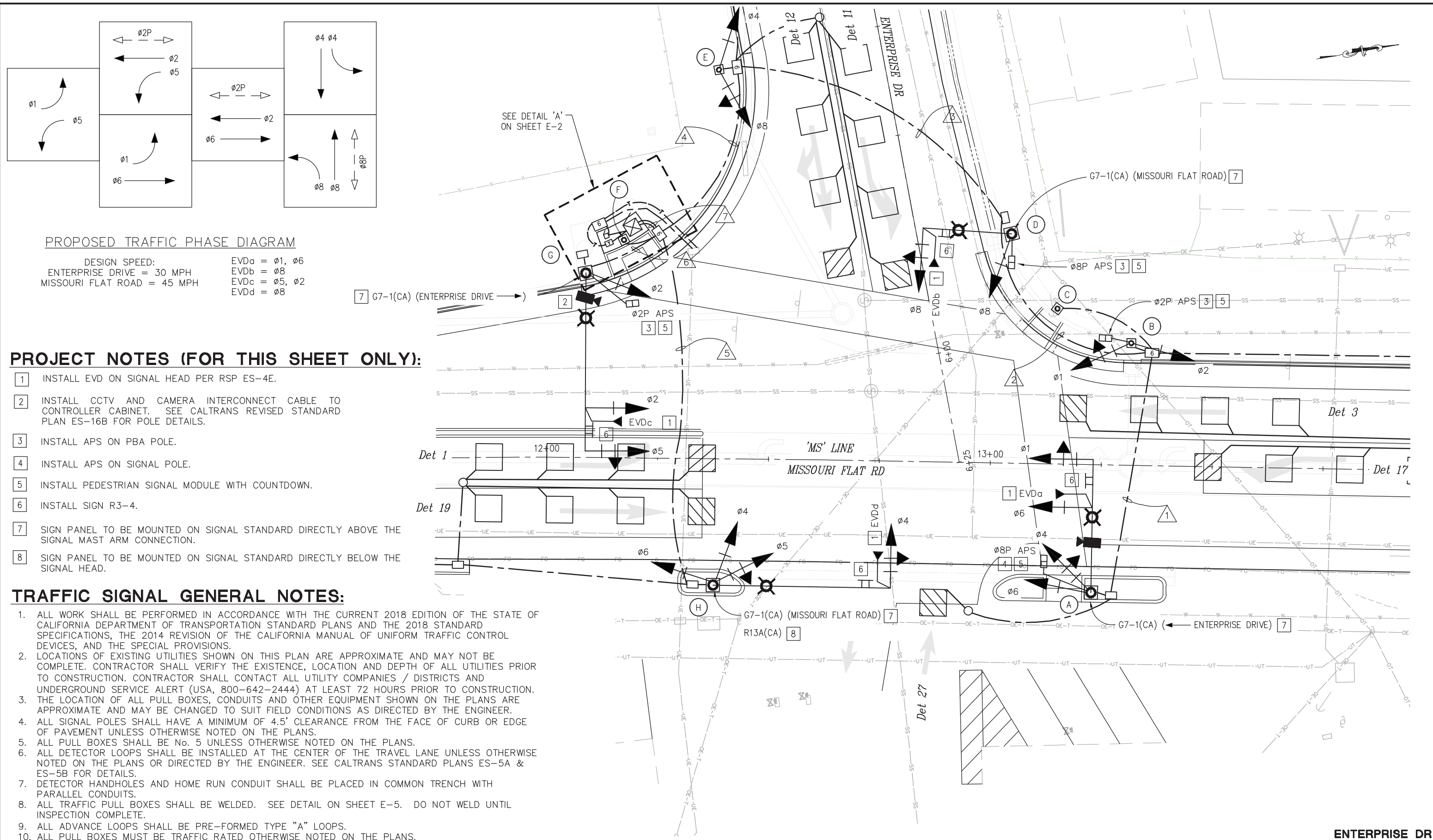


COUNTY OF EL DORADO
DEPARTMENT OF TRANSPORTATION

ENTERPRISE DR AND INDUSTRIAL DR
INTERSECTION IMPROVEMENTS

SHEET
RW-1
 58 OF 65
 CONTRACT NO.
6286

ORIGINAL SCALE IS IN INCHES
 Drawing name: Z:\Civil 3D Projects\73365 Enterprise-Industrial\CADD_Files\Sheets\E-Sheets.dwg Layout Tab: E-1 Mar 29, 2023 - 6:23am smcvey
 FOR REDUCED PLANS
 2
 1
 0



PROPOSED TRAFFIC PHASE DIAGRAM

DESIGN SPEED:
 ENTERPRISE DRIVE = 30 MPH
 MISSOURI FLAT ROAD = 45 MPH

EVDa = ø1, ø6
 EVDb = ø8
 EVDc = ø5, ø2
 EVDd = ø8

PROJECT NOTES (FOR THIS SHEET ONLY):

1. INSTALL EVD ON SIGNAL HEAD PER RSP ES-4E.
2. INSTALL CCTV AND CAMERA INTERCONNECT CABLE TO CONTROLLER CABINET. SEE CALTRANS REVISED STANDARD PLAN ES-16B FOR POLE DETAILS.
3. INSTALL APS ON PBA POLE.
4. INSTALL APS ON SIGNAL POLE.
5. INSTALL PEDESTRIAN SIGNAL MODULE WITH COUNTDOWN.
6. INSTALL SIGN R3-4.
7. SIGN PANEL TO BE MOUNTED ON SIGNAL STANDARD DIRECTLY ABOVE THE SIGNAL MAST ARM CONNECTION.
8. SIGN PANEL TO BE MOUNTED ON SIGNAL STANDARD DIRECTLY BELOW THE SIGNAL HEAD.

TRAFFIC SIGNAL GENERAL NOTES:

1. ALL WORK SHALL BE PERFORMED IN ACCORDANCE WITH THE CURRENT 2018 EDITION OF THE STATE OF CALIFORNIA DEPARTMENT OF TRANSPORTATION STANDARD PLANS AND THE 2018 STANDARD SPECIFICATIONS, THE 2014 REVISION OF THE CALIFORNIA MANUAL OF UNIFORM TRAFFIC CONTROL DEVICES, AND THE SPECIAL PROVISIONS.
2. LOCATIONS OF EXISTING UTILITIES SHOWN ON THIS PLAN ARE APPROXIMATE AND MAY NOT BE COMPLETE. CONTRACTOR SHALL VERIFY THE EXISTENCE, LOCATION AND DEPTH OF ALL UTILITIES PRIOR TO CONSTRUCTION. CONTRACTOR SHALL CONTACT ALL UTILITY COMPANIES / DISTRICTS AND UNDERGROUND SERVICE ALERT (USA, 800-642-2444) AT LEAST 72 HOURS PRIOR TO CONSTRUCTION.
3. THE LOCATION OF ALL PULL BOXES, CONDUITS AND OTHER EQUIPMENT SHOWN ON THE PLANS ARE APPROXIMATE AND MAY BE CHANGED TO SUIT FIELD CONDITIONS AS DIRECTED BY THE ENGINEER.
4. ALL SIGNAL POLES SHALL HAVE A MINIMUM OF 4.5' CLEARANCE FROM THE FACE OF CURB OR EDGE OF PAVEMENT UNLESS OTHERWISE NOTED ON THE PLANS.
5. ALL PULL BOXES SHALL BE No. 5 UNLESS OTHERWISE NOTED ON THE PLANS.
6. ALL DETECTOR LOOPS SHALL BE INSTALLED AT THE CENTER OF THE TRAVEL LANE UNLESS OTHERWISE NOTED ON THE PLANS OR DIRECTED BY THE ENGINEER. SEE CALTRANS STANDARD PLANS ES-5A & ES-5B FOR DETAILS.
7. DETECTOR HANDHOLES AND HOME RUN CONDUIT SHALL BE PLACED IN COMMON TRENCH WITH PARALLEL CONDUITS.
8. ALL TRAFFIC PULL BOXES SHALL BE WELDED. SEE DETAIL ON SHEET E-5. DO NOT WELD UNTIL INSPECTION COMPLETE.
9. ALL ADVANCE LOOPS SHALL BE PRE-FORMED TYPE "A" LOOPS.
10. ALL PULL BOXES MUST BE TRAFFIC RATED OTHERWISE NOTED ON THE PLANS.
11. ALL SIGNAL HEADS SHALL HAVE 2-INCH TYPE XI FLUORESCENT YELLOW RETROREFLECTIVE STRIP AROUND THE PERIMETER FACE.

THIS SHEET ACCURATE FOR ELECTRICAL WORK ONLY

**ENTERPRISE DR
 SIGNAL AND LIGHTING PLAN
 SCALE : 1" = 10'**

REVISION	NUMBER	DATE	DESCRIPTION	BY



PREPARED UNDER THE SUPERVISION OF:

 REGISTERED CIVIL ENGINEER
 DATE: 4/18/23

DESIGNED: JUN AN
 DRAWN: AN
 CHECKED: DH
 DATE: 03/29/23
 ROAD NUMBER: 009



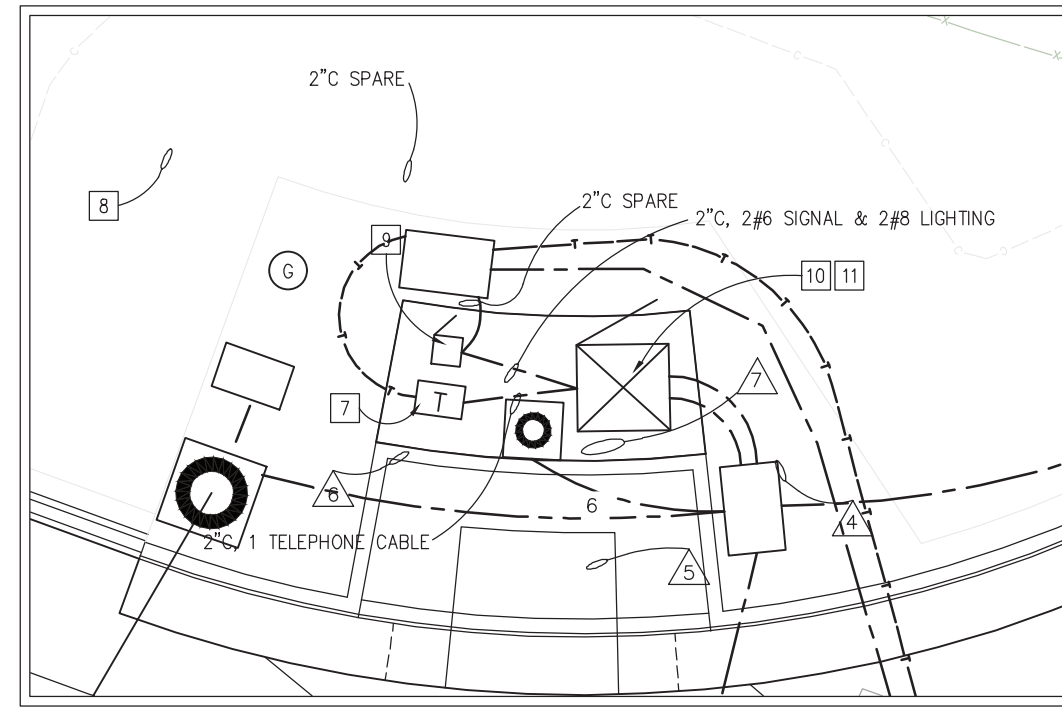
**COUNTY OF EL DORADO
 DEPARTMENT OF TRANSPORTATION**

**ENTERPRISE DR AND INDUSTRIAL DR
 INTERSECTION IMPROVEMENTS**

SHEET
E-1
 59 OF 65
 W.O. No. **6286**

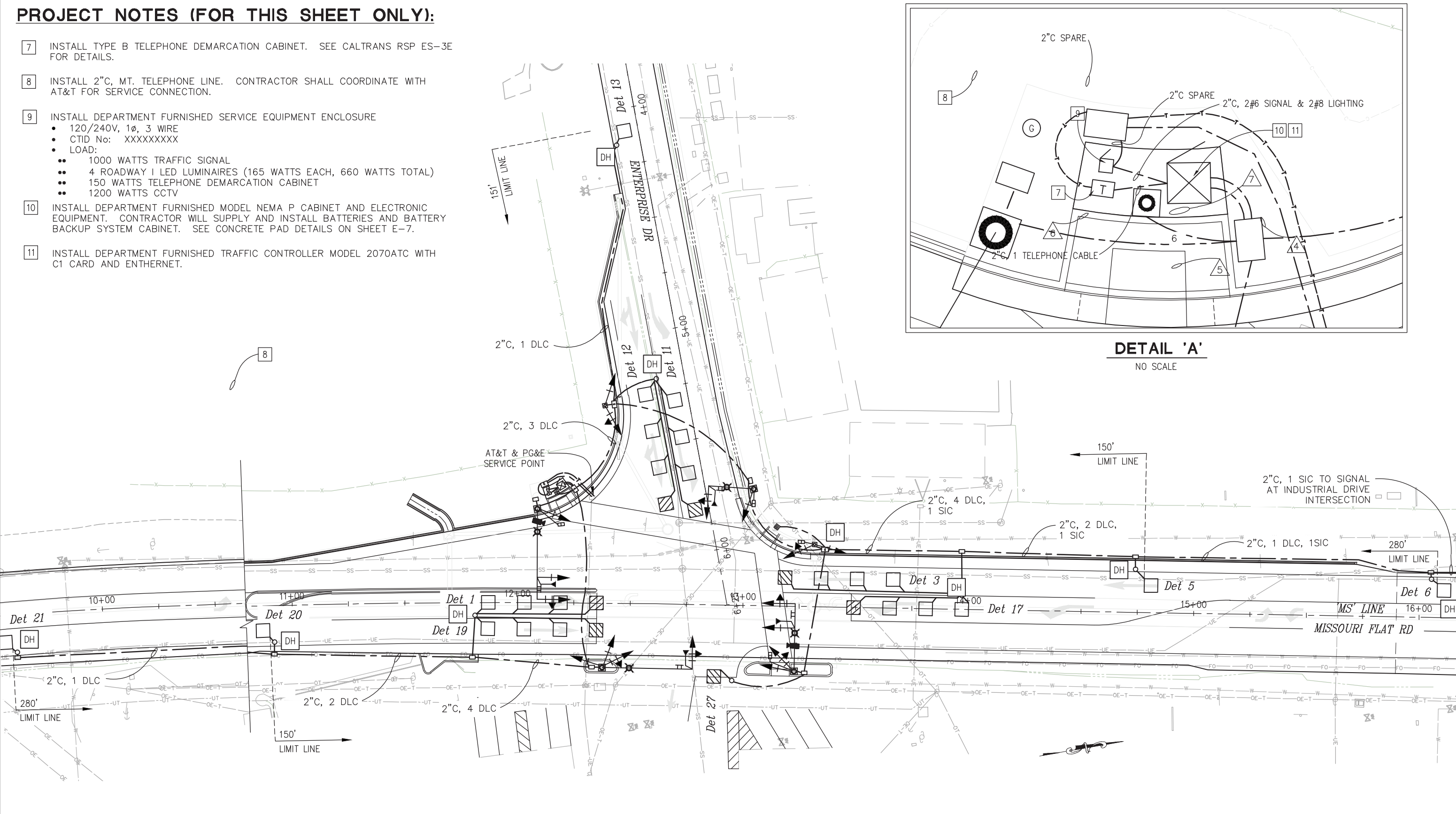
PROJECT NOTES (FOR THIS SHEET ONLY):

- 7 INSTALL TYPE B TELEPHONE DEMARCATION CABINET. SEE CALTRANS RSP ES-3E FOR DETAILS.
- 8 INSTALL 2" C, MT. TELEPHONE LINE. CONTRACTOR SHALL COORDINATE WITH AT&T FOR SERVICE CONNECTION.
- 9 INSTALL DEPARTMENT FURNISHED SERVICE EQUIPMENT ENCLOSURE
 - 120/240V, 1Ø, 3 WIRE
 - CTID No: XXXXXXXXX
 - LOAD:
 - 1000 WATTS TRAFFIC SIGNAL
 - 4 ROADWAY I LED LUMINAIRES (165 WATTS EACH, 660 WATTS TOTAL)
 - 150 WATTS TELEPHONE DEMARCATION CABINET
 - 1200 WATTS CCTV
- 10 INSTALL DEPARTMENT FURNISHED MODEL NEMA P CABINET AND ELECTRONIC EQUIPMENT. CONTRACTOR WILL SUPPLY AND INSTALL BATTERIES AND BATTERY BACKUP SYSTEM CABINET. SEE CONCRETE PAD DETAILS ON SHEET E-7.
- 11 INSTALL DEPARTMENT FURNISHED TRAFFIC CONTROLLER MODEL 2070ATC WITH C1 CARD AND ENTHERNET.



DETAIL 'A'
NO SCALE

ORIGINAL SCALE IS IN INCHES
 Drawing name: Z:\Civil 3D\Projects\73365\73366 Enterprise-Industrial\CADD_Files\Sheets\E-Sheets.dwg Layout: Tab: E-2 Mar 29, 2023 - 6:24am smcvey
 FOR REDUCED PLANS



THIS SHEET ACCURATE FOR ELECTRICAL WORK ONLY

**ENTERPRISE DR
SIGNAL AND LIGHTING PLAN
SCALE : 1" = 10'**



PREPARED UNDER THE SUPERVISION OF:
[Signature]
 REGISTERED CIVIL ENGINEER
 DATE: 4/18/23

DESIGNED: JUN AN
 DRAWN: AN
 CHECKED: DH
 DATE: 03/29/23
 ROAD NUMBER: 009



**COUNTY OF EL DORADO
DEPARTMENT OF TRANSPORTATION**

**ENTERPRISE DR AND INDUSTRIAL DR
INTERSECTION IMPROVEMENTS**

SHEET
E-2
 60 OF 65
 W.O. No. **6286**

REVISION	NUMBER	DATE	DESCRIPTION	BY

ORIGINAL SCALE IS IN INCHES
 Drawing name: Z:\Civil 3D Projects\73365 Enterprise-Industrial\CADD Files\Sheets\E-Sheets.dwg Layout Tab: E-3 Mar 29, 2023 - 6:24am smcvey
 FOR REDUCED PLANS

POLE AND EQUIPMENT SCHEDULE

NO.	STANDARD			VEHICLE SIGNAL MOUNTING			PEDESTRIAN SIGNAL MOUNTING		PBA		LED LUMINAIRE (WATTS)	LOCATION		REMARKS *	
	TYPE	SIG. MA (FT)	LUM. MA (FT)	Ø	MAST ARM	Ø	POLE	Ø	POLE	Ø		ARROW	STATION **		OFFSET
(A)	19-3-100	25	12	6 1	MAS MAS	4 6	SV-2-TB	6 8	SP-2-T	6 8	→ ←	ROADWAY I	'MS' 13+31.00	26.00 RT	INSTALL EVDa ON SIGNAL HEAD. INSTALL R73-3(CA) ON SIGNAL MAST ARM. INSTALL APS SIGN ON SIGNAL POLE. INSTALL G7-1(CA) (ENTERPRISE DRIVE) ON STANDARD DIRECTLY ABOVE THE MAST ARM CONNECTION WITH STRAP & SADDLE BRACKET METHOD. F=13' *
(B)	1-B					1 2	TV-2-T	2	SP-1-T				'MS' 13+50.00	52.68 LT	
(C)	PBA									2 8	← →		'MS' 13+27.00	61.50 LT	INSTALL APS SIGN.
(D)	17-2-100	20	12	8	MAS-4B	8	SV-1-T	8	SP-1-T			ROADWAY I	'MS' 13+18.00	71.00 LT	INSTALL EVDb ON SIGNAL HEAD. INSTALL R73-3(CA) ON SIGNAL MAST ARM. INSTALL G7-1(CA) (MISSOURI FLAT ROAD) ON STANDARD DIRECTLY ABOVE THE MAST ARM CONNECTION WITH STRAP & SADDLE BRACKET METHOD.
(E)	1-B					4 8	TV-2-T						'MS' 12+35.00	87.50 LT	
(F)	PBA							2	SP-1-T	2	→		'MS' 12+33.00	64.00 LT	INSTALL APS SIGN.
(G)	26-3-100	40	12	2 5	MAS MAS	2	SV-1-T					ROADWAY I	'MS' 12+08.50	47.00 LT	INSTALL EVDc ON SIGNAL HEAD. INSTALL R73-3(CA) ON SIGNAL MAST ARM. INSTALL CCTV ON STANDARD. INSTALL G7-1(CA) (ENTERPRISE DRIVE) ON STANDARD DIRECTLY ABOVE THE MAST ARM CONNECTION WITH STRAP & SADDLE BRACKET METHOD. F=12.5' *
(H)	26-3-100	40	12	4 4	MAS MAS	4 5 6	SV-3-TB					ROADWAY I	'MS' 12+50.00	26.50 RT	INSTALL EVDd ON SIGNAL HEAD. INSTALL R73-3(CA) ON SIGNAL MAST ARM. INSTALL APS SIGN ON SIGNAL POLE. INSTALL G7-1(CA) (MISSOURI FLAT ROAD) ON STANDARD DIRECTLY ABOVE THE MAST ARM CONNECTION WITH STRAP & SADDLE BRACKET METHOD. F=12.76' *

* OTHER REQUIREMENTS ARE COVERED BY NOTES, LEGEND, SPECIAL PROVISIONS AND STANDARD SPECIFICATIONS.
 FOR TYPE OF STANDARD AND VEHICLE SIGNAL MOUNTING, SEE CALTRANS STANDARD PLANS.

** FINAL LOCATION WILL BE DETERMINE BY THE ENGINEER.

CONDUCTOR & CONDUIT SCHEDULE

CABLE TYPE	PHASE	STD	NUMBER OF CONDUCTORS									
			RUN NUMBER									
			1	2	3	4	5	6	7			
VEH-PED 12CSC	1, 4, 6, 8P	8PBA	POLE (A)	1	1	1	1	1	1	1	1	1
	1, 2, 2P		POLE (B)	1	1	1	1					1
		2PBA, 8PBA	POLE (C)		1	1	1					1
	8, 8P		POLE (D)			1	1					1
	4, 8		POLE (E)				1					1
	2P	2PBA	POLE (F)					1				1
	2, 5		POLE (G)						1		1	1
	4, 5, 6		POLE (H)						1		1	1
TOTAL CABLES 12/3 CONDUCTORS				1	2	3	4	3	1	1	6	3
#8	LIGHTING (240 V)			2	2	2	2	2	2	2	2	2
#6	CONTROLLER SERVICE (120 V)											
TYPE B DLC	Det 1								1			1
	Det 3			1	1	1						1
	Det 4			1	1	1						1
	Det 5			1	1	1						1
	Det 6			1	1	1						1
	Det 11					1						1
	Det 12					1						1
	Det 13					1						1
	Det 17				1	1	1					1
	Det 19								1			1
Det 20								1			1	
Det 21								1			1	
Det 27			1	1	1	1					1	
TOTAL				1	6	6	9	4			1	13
GRIDSART CAMERA CABLE				1	1	1	1				1	2
EVD				1	1	2	2	1	1	1	4	
CONDUIT SIZE				3"	4"	4"	4"	3"	2"	2-4"		
% FILL				12	15	19	26	13	20	19		

NOTES:
 1. CAMERA INTERCONNECT CABLE PLACED IN 1-2" C BY ITSELF.
 2. APS SIGN MUST BE R10-3eR OR R10-3eL.

ENTERPRISE DR
 SIGNAL AND LIGHTING PLAN
 SCALE : AS SHOWN



PREPARED UNDER THE SUPERVISION OF:
Justin W. Harrington
 REGISTERED CIVIL ENGINEER
 DATE: 4/18/23

DESIGNED: JN AN
 DRAWN: AN
 CHECKED: DH
 DATE: 03/29/23
 ROAD NUMBER: 009

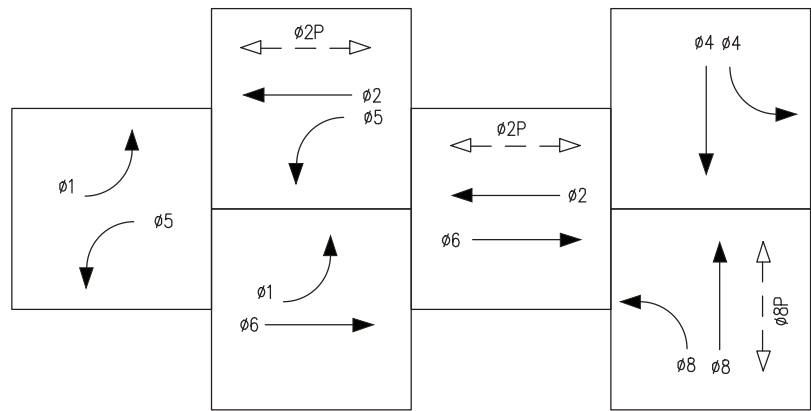


COUNTY OF EL DORADO
 DEPARTMENT OF TRANSPORTATION

ENTERPRISE DR AND INDUSTRIAL DR
 INTERSECTION IMPROVEMENTS

SHEET
E-3
 61 OF 65
 W.O. No. **6286**

ORIGINAL SCALE IS IN INCHES
 Drawing name: Z:\Civil 3D\Projects\73365 Enterprise-Industrial\CADD_Files\Sheets\E-Sheets.dwg Layout: Tab: E-4 Mar 29, 2023 - 6:24am smcvey
 FOR REDUCED PLANS
 2
 1
 0



PROPOSED TRAFFIC PHASE DIAGRAM

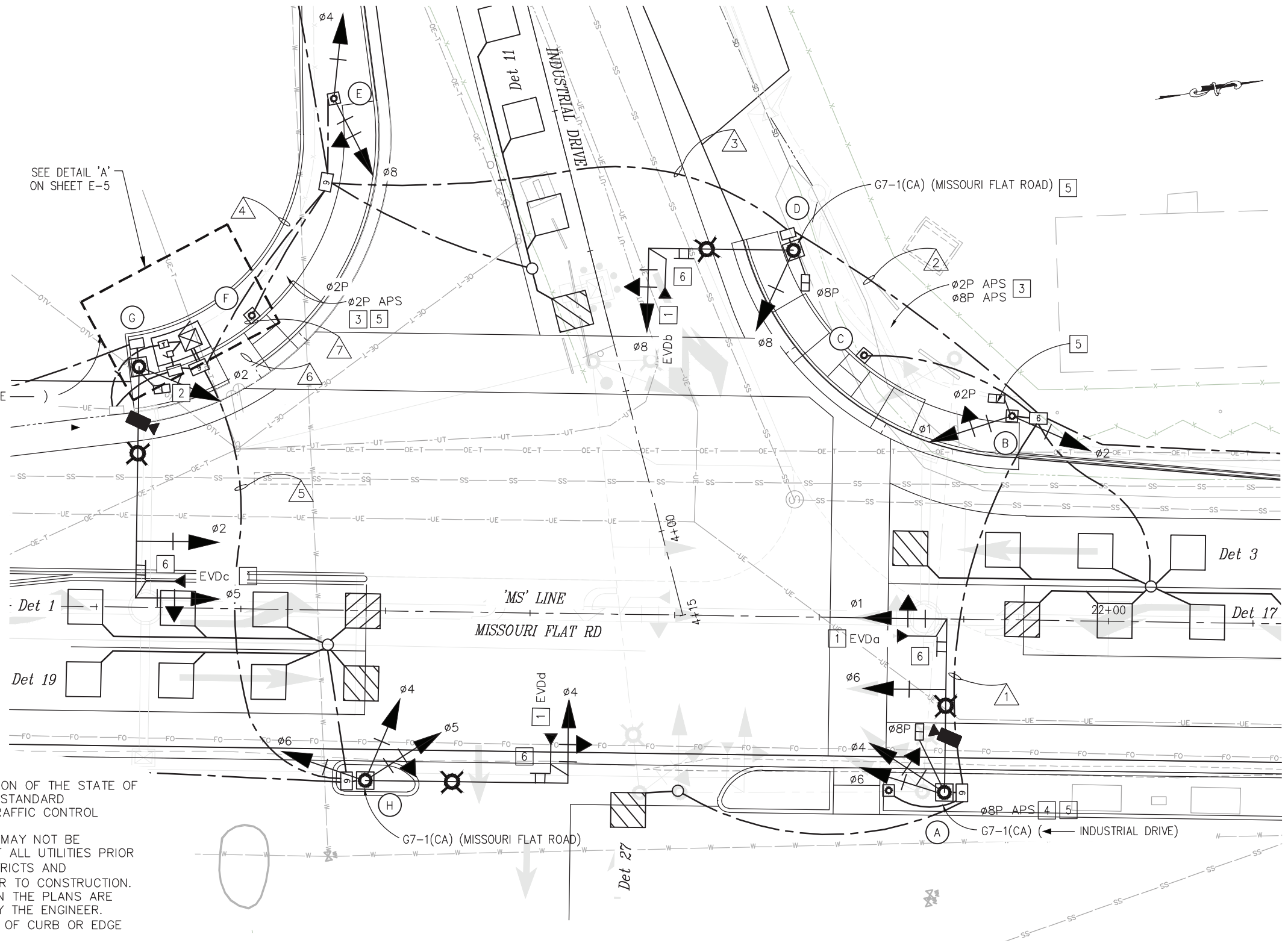
DESIGN SPEED:
 ENTERPRISE DRIVE = 30 MPH
 MISSOURI FLAT ROAD = 45 MPH
 EVDa = $\phi 1, \phi 6$
 EVDb = $\phi 8$
 EVDc = $\phi 5, \phi 2$
 EVDd = $\phi 8$

PROJECT NOTES (FOR THIS SHEET ONLY):

- 1 INSTALL EVD ON SIGNAL HEAD PER RSP ES-4E.
- 2 INSTALL CCTV AND CAMERA INTERCONNECT CABLE TO CONTROLLER CABINET. SEE CALTRANS REVISED STANDARD PLAN ES-16B FOR POLE DETAILS.
- 3 INSTALL APS ON PBA POLE.
- 4 INSTALL APS ON SIGNAL POLE.
- 5 INSTALL PEDESTRIAN SIGNAL MODULE WITH COUNTDOWN.
- 6 INSTALL SIGN R3-4.
- 7 SIGN PANEL TO BE MOUNTED ON SIGNAL STANDARD DIRECTLY ABOVE THE SIGNAL MAST ARM CONNECTION.
- 8 SIGN PANEL TO BE MOUNTED ON SIGNAL STANDARD DIRECTLY BELOW THE SIGNAL HEAD.

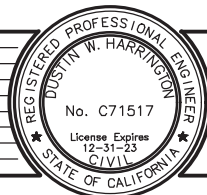
TRAFFIC SIGNAL GENERAL NOTES:

1. ALL WORK SHALL BE PERFORMED IN ACCORDANCE WITH THE CURRENT 2018 EDITION OF THE STATE OF CALIFORNIA DEPARTMENT OF TRANSPORTATION STANDARD PLANS AND THE 2018 STANDARD SPECIFICATIONS, THE 2014 REVISION OF THE CALIFORNIA MANUAL OF UNIFORM TRAFFIC CONTROL DEVICES, AND THE SPECIAL PROVISIONS.
2. LOCATIONS OF EXISTING UTILITIES SHOWN ON THIS PLAN ARE APPROXIMATE AND MAY NOT BE COMPLETE. CONTRACTOR SHALL VERIFY THE EXISTENCE, LOCATION AND DEPTH OF ALL UTILITIES PRIOR TO CONSTRUCTION. CONTRACTOR SHALL CONTACT ALL UTILITY COMPANIES / DISTRICTS AND UNDERGROUND SERVICE ALERT (USA, 800-642-2444) AT LEAST 72 HOURS PRIOR TO CONSTRUCTION.
3. THE LOCATION OF ALL PULL BOXES, CONDUITS AND OTHER EQUIPMENT SHOWN ON THE PLANS ARE APPROXIMATE AND MAY BE CHANGED TO SUIT FIELD CONDITIONS AS DIRECTED BY THE ENGINEER.
4. ALL SIGNAL POLES SHALL HAVE A MINIMUM OF 4.5' CLEARANCE FROM THE FACE OF CURB OR EDGE OF PAVEMENT UNLESS OTHERWISE NOTED ON THE PLANS.
5. ALL PULL BOXES SHALL BE No. 5 UNLESS OTHERWISE NOTED ON THE PLANS.
6. ALL DETECTOR LOOPS SHALL BE INSTALLED AT THE CENTER OF THE TRAVEL LANE UNLESS OTHERWISE NOTED ON THE PLANS OR DIRECTED BY THE ENGINEER. SEE CALTRANS STANDARD PLANS ES-5A & ES-5B FOR DETAILS.
7. DETECTOR HANDHOLES AND HOME RUN CONDUIT SHALL BE PLACED IN COMMON TRENCH WITH PARALLEL CONDUITS.
8. ALL TRAFFIC PULL BOXES SHALL BE WELDED. SEE DETAIL ON SHEET E-5. DO NOT WELD UNTIL INSPECTION COMPLETE.
9. ALL ADVANCE LOOPS SHALL BE PRE-FORMED TYPE "A" LOOPS.
10. ALL PULL BOXES MUST BE TRAFFIC RATED OTHERWISE NOTED ON THE PLANS.
11. ALL SIGNAL HEADS SHALL HAVE 2-INCH TYPE XI FLUORESCENT YELLOW RETROREFLECTIVE STRIP AROUND THE PERIMETER FACE.



THIS SHEET ACCURATE FOR ELECTRICAL WORK ONLY

**INDUSTRIAL DR
 SIGNAL AND LIGHTING PLAN
 SCALE : 1" = 10'**



PREPARED UNDER THE SUPERVISION OF:

 REGISTERED CIVIL ENGINEER
 DATE: 4/18/23

DESIGNED: JN AN
 DRAWN: AN
 CHECKED: DH
 DATE: 03/29/23
 ROAD NUMBER: 009



**COUNTY OF EL DORADO
 DEPARTMENT OF TRANSPORTATION**

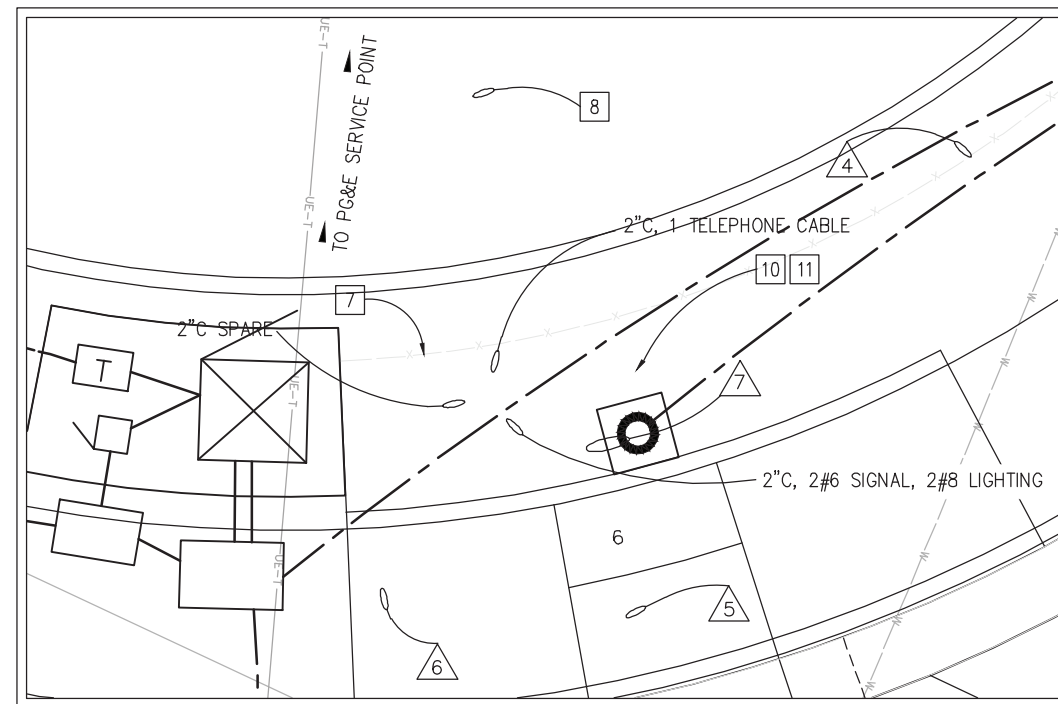
**ENTERPRISE DR AND INDUSTRIAL DR
 INTERSECTION IMPROVEMENTS**

SHEET
E-4
 62 OF 65
 W.O. No. **6286**

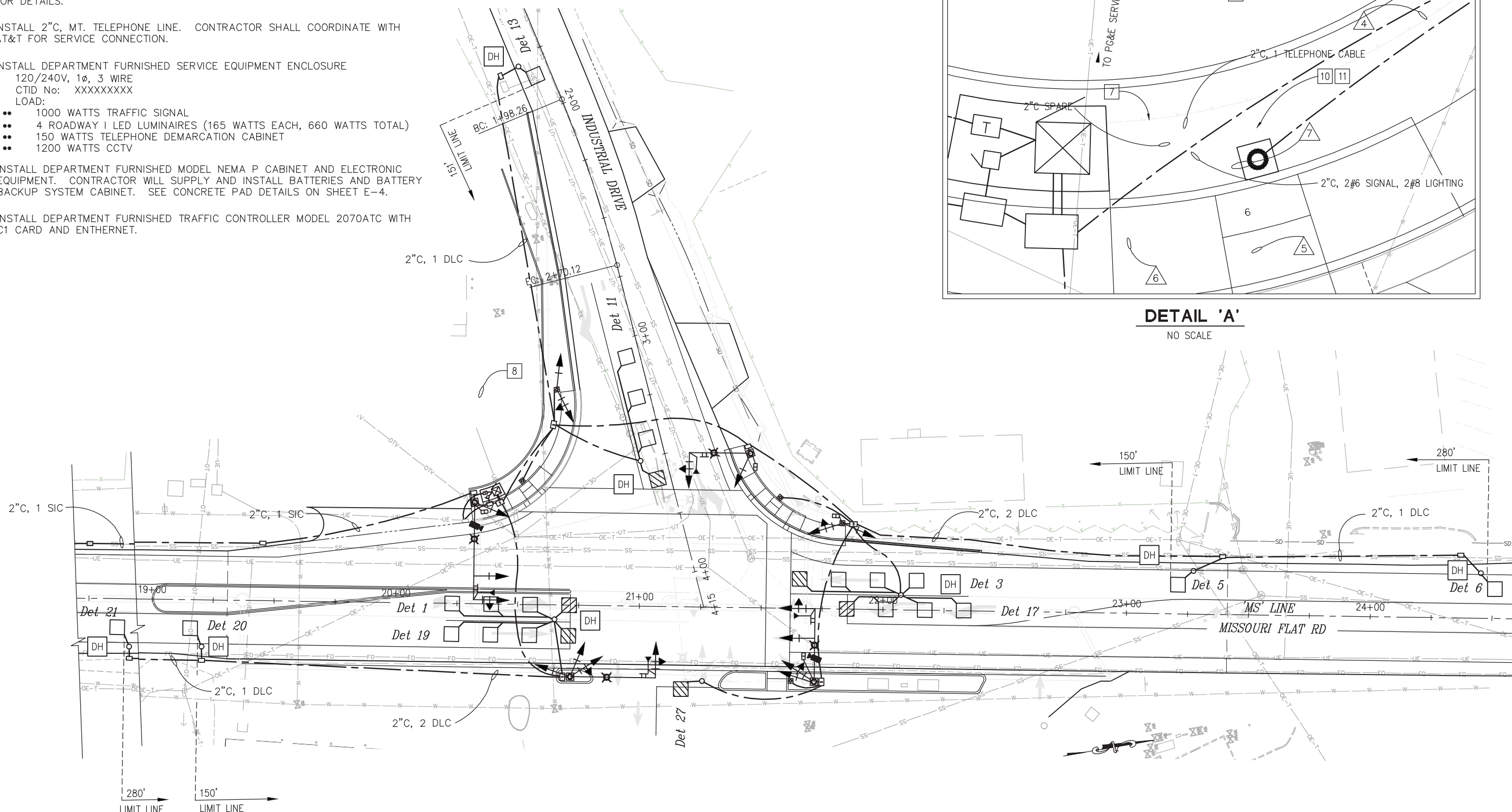
REVISION	NUMBER	DATE	DESCRIPTION	BY

PROJECT NOTES (FOR THIS SHEET ONLY):

- 7 INSTALL TYPE B TELEPHONE DEMARCATION CABINET. SEE CALTRANS RSP ES-3E FOR DETAILS.
- 8 INSTALL 2" C, MT. TELEPHONE LINE. CONTRACTOR SHALL COORDINATE WITH AT&T FOR SERVICE CONNECTION.
- 9 INSTALL DEPARTMENT FURNISHED SERVICE EQUIPMENT ENCLOSURE
 - 120/240V, 1Ø, 3 WIRE
 - CTID No: XXXXXXXX
 - LOAD:
 - 1000 WATTS TRAFFIC SIGNAL
 - 4 ROADWAY I LED LUMINAIRES (165 WATTS EACH, 660 WATTS TOTAL)
 - 150 WATTS TELEPHONE DEMARCATION CABINET
 - 1200 WATTS CCTV
- 10 INSTALL DEPARTMENT FURNISHED MODEL NEMA P CABINET AND ELECTRONIC EQUIPMENT. CONTRACTOR WILL SUPPLY AND INSTALL BATTERIES AND BATTERY BACKUP SYSTEM CABINET. SEE CONCRETE PAD DETAILS ON SHEET E-4.
- 11 INSTALL DEPARTMENT FURNISHED TRAFFIC CONTROLLER MODEL 2070ATC WITH C1 CARD AND ENTHERNET.



DETAIL 'A'
NO SCALE



THIS SHEET ACCURATE FOR ELECTRICAL WORK ONLY

**INDUSTRIAL DR
SIGNAL AND LIGHTING PLAN
SCALE : 1" = 10'**

FOR REDUCED PLANS ORIGINAL SCALE IS IN INCHES Drawing name: Z:\Civil 3D Projects\73366 Enterprise-Industrial\CADD Files\Sheets\E-Sheets.dwg Layout Tab: E-5 Mar 29, 2023 - 6:25am smcvey

REVISION	NUMBER	DATE	DESCRIPTION	BY



PREPARED UNDER THE SUPERVISION OF:
[Signature]
REGISTERED CIVIL ENGINEER
DATE: 4/18/23

DESIGNED: JUN AN
DRAWN: AN
CHECKED: DH
DATE: 03/29/23
ROAD NUMBER: 009



**COUNTY OF EL DORADO
DEPARTMENT OF TRANSPORTATION**

**ENTERPRISE DR AND INDUSTRIAL DR
INTERSECTION IMPROVEMENTS**

SHEET
E-5
63 OF 65
W.O. No. **6286**

ORIGINAL SCALE IS IN INCHES
 Drawing name: Z:\Civil 3D\Projects\73366 Enterprise-Industrial\CADD_Files\Sheets\E-Sheets.dwg Layout Tab: E-6 Mar 29, 2023 - 6:25am smcwey
 FOR REDUCED PLANS
 2
 1
 0

POLE AND EQUIPMENT SCHEDULE

NO.	STANDARD			VEHICLE SIGNAL MOUNTING			PEDESTRIAN SIGNAL MOUNTING		PBA		LED LUMINAIRE (WATTS)	LOCATION		REMARKS *
	TYPE	SIG. MA (FT)	LUM. MA (FT)	Ø	MAST ARM	Ø	POLE	Ø	POLE	Ø		ARROW	STATION **	
(A)	19-4-100	30	15	6 1	MAS MAS	4 6	SV-2-TB	8	SP-1-T	8	→	ROADWAY I	'MS' 22+80.00 30.00 RT	INSTALL EVD _a ON SIGNAL HEAD. INSTALL R73-3(CA) ON SIGNAL MAST ARM. INSTALL APS SIGN ON SIGNAL POLE. INSTALL G7-1(CA) (ENTERPRISE DRIVE) ON STANDARD DIRECTLY ABOVE THE MAST ARM CONNECTION WITH STRAP & SADDLE BRACKET METHOD. F=11.92' *
(B)	1-B					1 2	TV-2-T	2	SP-1-T				'MS' 22+93.00 37.25 LT	
(C)	PBA									2 8	← →		'MS' 22+75.00 50.00 LT	INSTALL APS SIGN.
(D)	19-3-100	25	15	8	MAS-4B	8	SV-1-T	8	SP-1-T			ROADWAY I	'MS' 22+61.50 69.00 LT	INSTALL EVD _b ON SIGNAL HEAD. INSTALL R73-3(CA) ON SIGNAL MAST ARM. INSTALL G7-1(CA) (MISSOURI FLAT ROAD) ON STANDARD DIRECTLY ABOVE THE MAST ARM CONNECTION WITH STRAP & SADDLE BRACKET METHOD.
(E)	1-B					4 8	TV-2-T						'MS' 21+76.00 87.00 LT	
(F)	1-B							2	SP-1-T	2	→		'MS' 21+70.00 59.00 LT	INSTALL APS SIGN.
(G)	26-4-100	40	15	2 5	MAS MAS	2	SV-1-T					ROADWAY I	'MS' 21+45.00 42.50 LT	INSTALL EVD _c ON SIGNAL HEAD. INSTALL R73-3(CA) ON SIGNAL MAST ARM. INSTALL CCTV ON STANDARD. INSTALL G7-1(CA) (ENTERPRISE DRIVE) ON STANDARD DIRECTLY ABOVE THE MAST ARM CONNECTION WITH STRAP & SADDLE BRACKET METHOD. F=10.62' *
(H)	24-3-100	35	15	4 4	MAS MAS	4 5 6	SV-3-TB					ROADWAY I	'MN' 21+85.00 28.00 RT	INSTALL EVD _d ON SIGNAL HEAD. INSTALL R73-3(CA) ON SIGNAL MAST ARM. INSTALL APS SIGN ON SIGNAL POLE. INSTALL G7-1(CA) (MISSOURI FLAT ROAD) ON STANDARD DIRECTLY ABOVE THE MAST ARM CONNECTION WITH STRAP & SADDLE BRACKET METHOD.

* OTHER REQUIREMENTS ARE COVERED BY NOTES, LEGEND, SPECIAL PROVISIONS AND STANDARD SPECIFICATIONS.
 FOR TYPE OF STANDARD AND VEHICLE SIGNAL MOUNTING, SEE CALTRANS STANDARD PLANS.

** FINAL LOCATION WILL BE DETERMINE BY THE ENGINEER.

CONDUCTOR & CONDUIT SCHEDULE

CABLE TYPE	PHASE	STD	NUMBER OF CONDUCTORS										
			RUN NUMBER										
			1	2	3	4	5	6	7				
VEH-PED 12CSC	1, 4, 6, 8P	8PBA POLE (A)	1	1	1	1	1	1	1	1	1	1	1
	1, 2, 2P	POLE (B)		1	1	1	1					1	1
		2PBA, 8PBA POLE (C)			1	1	1						1
	8, 8P	POLE (D)			1	1						1	1
	4, 8	POLE (E)				1						1	1
	2P	2PBA POLE (F)					1					1	1
	2, 5	POLE (G)									1	1	1
	4, 5, 6	POLE (H)							1			1	1
TOTAL CABLES 12/3 CONDUCTORS			1	2	2	3	2	4	3	1	1	6	3
#8	LIGHTING (240 V)		2	2	2	2	2	2	2	2	2	2	2
#6	CONTROLLER SERVICE (120 V)												
TYPE B DLC	Det 1									1		1	1
	Det 3			1	1	1						1	1
	Det 4			1	1	1						1	1
	Det 5			1	1	1						1	1
	Det 6			1	1	1						1	1
	Det 11						1					1	1
	Det 12						1					1	1
	Det 13						1					1	1
	Det 17			1	1	1						1	1
	Det 19									1		1	1
Det 20									1		1	1	
Det 21									1		1	1	
Det 27			1	1	1	1					1	1	
TOTAL			1	6	6	9	4				13	13	
GRIDSMTART CAMERA CABLE			1	1	1	1					1	2	
EVD			1	1	2	2	1	1	1	1	4	4	
CONDUIT SIZE			3"	4"	4"	4"	3"	2"	2-4"				
% FILL			12	15	19	26	13	20	19				

NOTES:
 1. GRIDSMTART CAMERA CABLE PLACED IN 1-2"C BY ITSELF.
 2. APS SIGN MUST BE R10-3eR OR R10-3eL.

**INDUSTRIAL DR
 SIGNAL AND LIGHTING PLAN
 SCALE : NONE**



PREPARED UNDER THE SUPERVISION OF :
Justin W. Harrington
 REGISTERED CIVIL ENGINEER
 DATE: 4/18/23

DESIGNED: JN
 DRAWN: AN
 CHECKED: DH
 DATE: 03/29/23
 ROAD NUMBER: 009

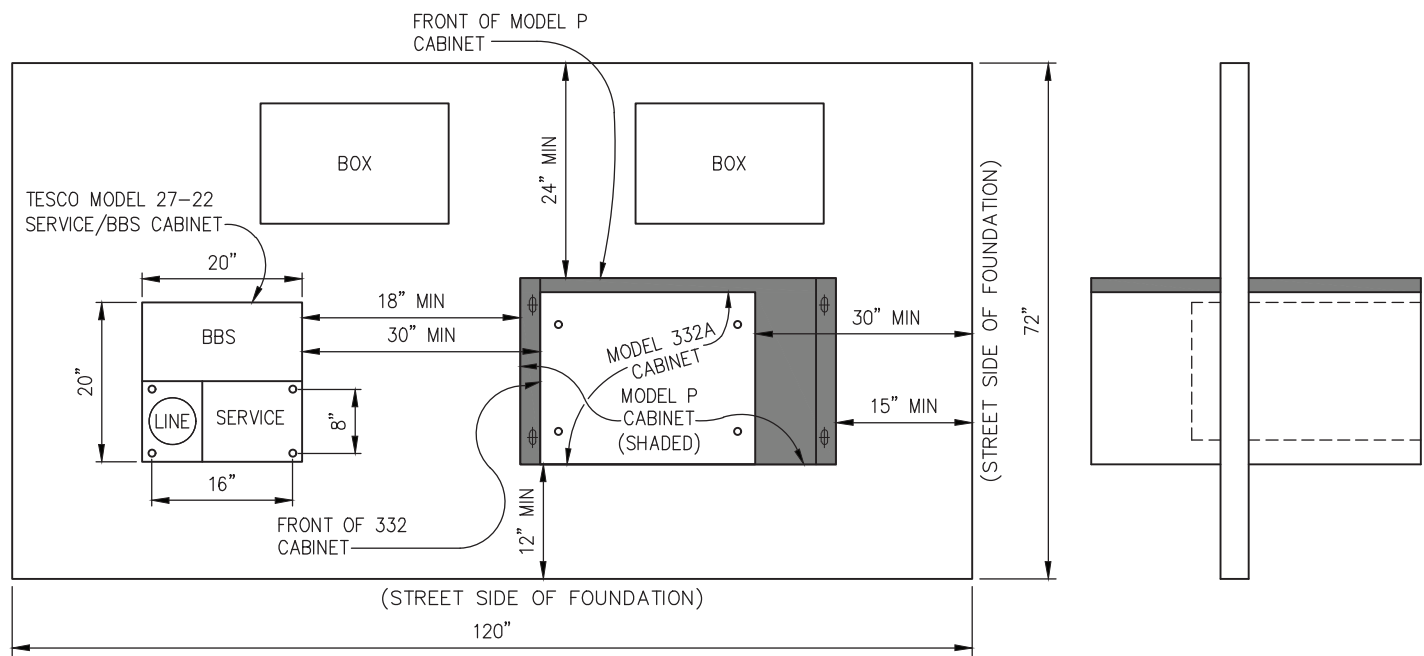


**COUNTY OF EL DORADO
 DEPARTMENT OF TRANSPORTATION**

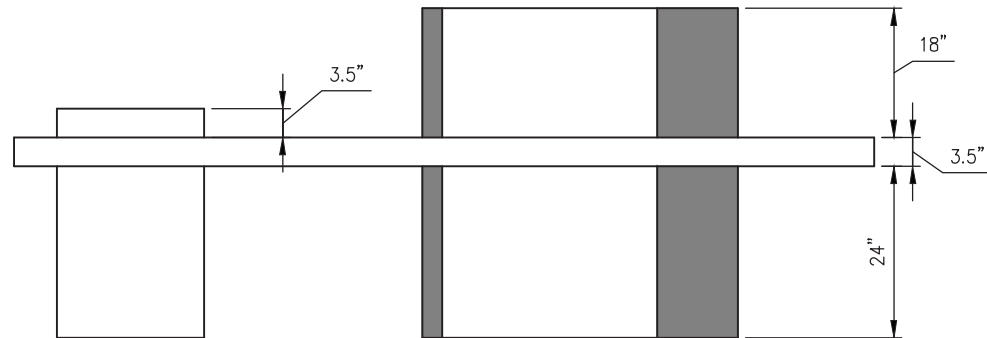
**ENTERPRISE DR AND INDUSTRIAL DR
 INTERSECTION IMPROVEMENTS**

SHEET
E-6
 64 OF 65
 W.O. No. **6286**

ORIGINAL SCALE IS IN INCHES
 Drawing name: Z:\Civil 3D Projects\73365 Enterprise-Industrial\CADD Files\Sheets\E-Sheets.dwg Layout Tab: E-7 Mar 29, 2023 - 6:26am smcvey
 FOR REDUCED PLANS
 2
 1
 0



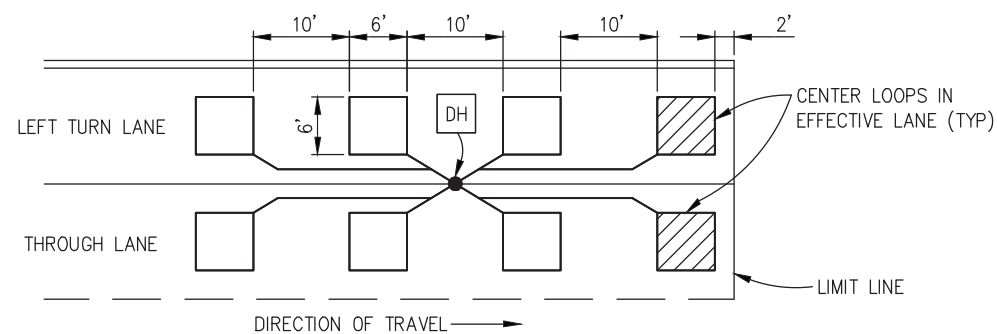
FOUNDATION END PROFILE



FOUNDATION SIDE PROFILE

TYPICAL SIGNAL CONTROLLER PAD

NTS

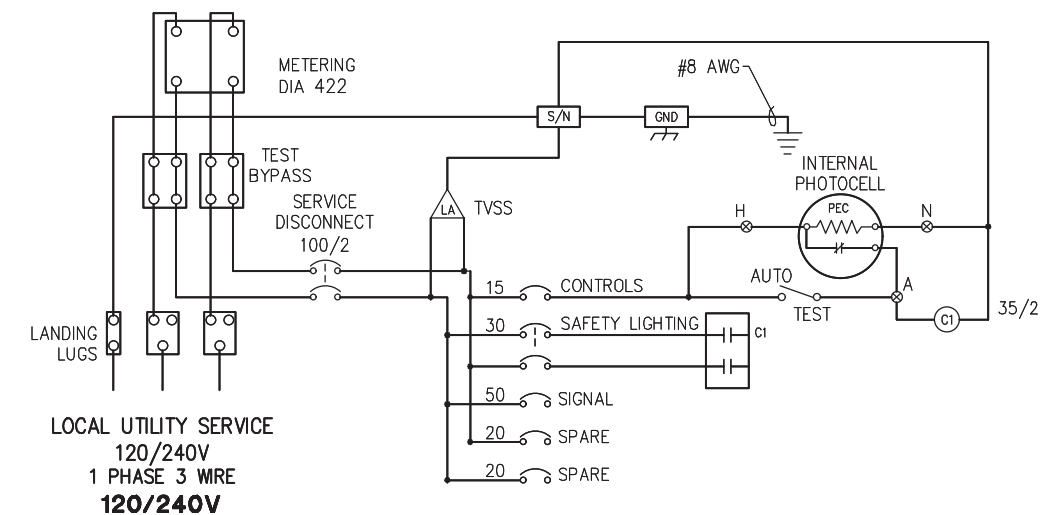


TYPICAL DETECTOR LOOP LAYOUT

NTS

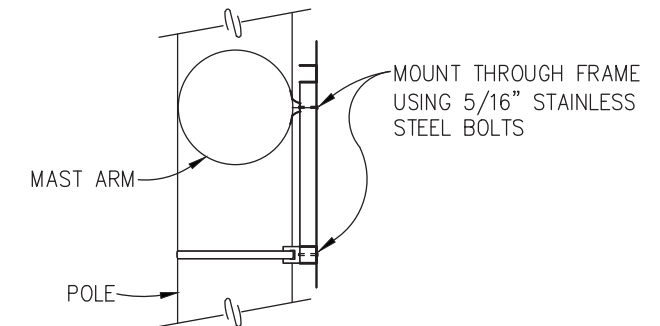
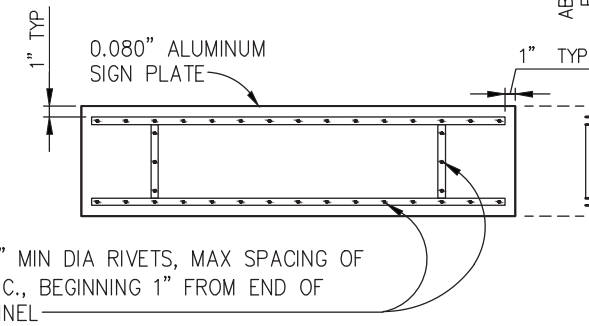
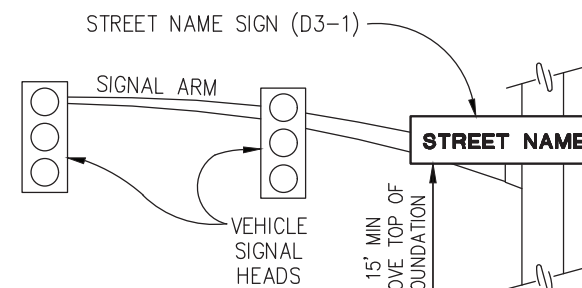
IN ADDITION TO MEETING ALL CURRENT CALTRANS SPECIFICATIONS, THE FOUNDATION FOR THE ELECTRICAL SYSTEMS CONTROLLER CABINET SHALL MEET THE FOLLOWING EL DORADO COUNTY SPECIAL PROVISIONS:

- SERVICE SHALL CONSIST OF A TESCO 27-22 TYPE III-AF/BBS COMBO.
- 3" LONG SLEEVE NUTS ARE TO BE PROVIDED TO ACCOMMODATE THE INSTALLATION OF EITHER A MODEL 332 CABINET OR A CALTRANS TYPE P CABINET. SLEEVE INSTALLATION SHALL CONFORM TO CALTRANS 2006 STANDARD PLAN ES-6B, DETAIL B.
- ELECTRICAL PULL BOXES SHALL NOT BE LOCATED IN PEDESTRIAN TRAVELWAY (SIDEWALK).
- CABINET DOORS SHALL NOT PROTRUDE INTO PEDESTRIAN TRAVELWAY (SIDEWALK) WHEN OPEN.
- IN NO CASE SHALL THE SIGNAL CABINET, BATTERY BACKUP CABINET OR SERVICE CABINET BE LESS THAN FOUR (4) FEET FROM THE EDGE OF PAVEMENT OR TOP BACK OF CURB, WHICH EVER IS GREATER.



SERVICE EQUIPMENT WIRING DIAGRAM

NTS



STREET NAME SIGN MOUNTING DETAIL

NTS

NOTES:

- ALL HANGER COMPONENTS TO BE GALVANIZED, EXCEPT STAINLESS STEEL BANDS.
- ATTACH SIGN TO POLE AND SIGNAL MAST ARM VIA SADDLE BRACKETS.
- SEE EQUIPMENT SCHEDULE FOR MESSAGE.
- SEE SPECIAL PROVISIONS FOR SIGN SPECIFICATIONS.
- FRAME MATERIAL: 1 1/4" X 1 1/4" X 3/16" ALUMINUM CHANNEL -ALLOY 6063-T5

THIS SHEET ACCURATE FOR ELECTRICAL WORK ONLY

SIGNAL AND LIGHTING DETAILS
SCALE : AS SHOWN

REVISION	NUMBER	DATE	DESCRIPTION	BY



PREPARED UNDER THE SUPERVISION OF:
[Signature]
 REGISTERED CIVIL ENGINEER
 DATE: 4/18/23

DESIGNED: JN
 DRAWN: AN
 CHECKED: DH
 DATE: 03/29/23
 ROAD NUMBER: 009



COUNTY OF EL DORADO
DEPARTMENT OF TRANSPORTATION

ENTERPRISE DR AND INDUSTRIAL DR
INTERSECTION IMPROVEMENTS

SHEET
E-7
 65 OF 65
 W.O. No. **6286**