

AGENCY: Department of Forestry and Fire
Protection

Project ID No: 15229
State File No.: L-1810
Amendment No.: One (1)

AMENDMENT TO LEASE

This Amendment to Lease, dated September 10, 2025, for reference purposes only, by and between the State of California, at the direction of Department of Forestry and Fire Protection, acting by and through the Director of the Department of General Services (DGS), hereinafter collectively referred to as State, and County of El Dorado, hereinafter referred to as Lessee. State and Lessee may also be referred to as "Party" or "Parties".

WITNESSETH:

WHEREAS, State and Lessee hereto entered into that certain Lease Agreement dated July 1, 2022 (the "Lease"), covering certain premises located at Pine Hill, County of El Dorado, State of California; and

WHEREAS, State and Lessee hereto desire to amend said Lease to: (1) modify the Use; (2) adjust the monthly Rent; and (3) add a paragraph to address Russia sanctions under Executive Order N-6-22;

NOW, THEREFORE, for good and valuable consideration, the receipt and sufficiency of which is hereby acknowledged, it is mutually agreed between the Parties as follows, effective March 1, 2026:

1. Section 1, Clause 2, "USE" of the Lease shall be amended with the following:

(a) The Premises shall be used during the term hereof solely and only for the purpose of installing, operating and maintaining telecommunications equipment as described in Lessee's "Radio Vault Space Applications" (State Form TD-312) dated August 11, 2021 and approved by the Office of Emergency Services – Public Safety Communications (OES-PSC) effective January 5, 2022 consisting of twenty-three (23) pages marked Exhibit "B" and Lessee's "Radio Vault Space Applications" (State Form TD-312) dated September 24, 2024 and approved by the Office of Emergency Services – Public Safety Communications (OES-PSC) effective February 27, 2025 consisting of nineteen (19) pages marked Exhibit "B-1". Said "Radio Vault Space Applications" complete with attachments and approval documentation by OES-PSC are attached hereto and made a part hereof.

(b) Lessee shall not be responsible in any manner for the maintenance and repair of the equipment of the State or its political subdivisions located within the State's communications facility.

2. Section 1, Clause 4 "LEASE PAYMENTS" of the Lease shall be effective for all lease payment obligations incurred under this lease prior to March 1, 2026. Beginning March 1, 2026, Section 1, Clause 4 "LEASE PAYMENTS" of the Lease shall be amended with the following, effective for all lease payment obligations occurring on or after such date:

Lessee shall make lease payments starting March 1, 2026 for the leased Premises, annually in advance, due upon commencement of this amendment and thereafter on each July 1st during the term of this Lease.

(a) State recognizes Lessee as a cooperator that assists CAL FIRE in its mission and responsibilities as first responders. State recognizes that Lessee's contributions to the State represent sufficient benefits to offset the rent value of this Lease by 50%.

(b) Should Lessee fail to meet the above condition for cooperative participation to support Lessee's reduced rental status, the State shall provide notice of termination thereof and rent shall become due and payable at the current fair market rent adjusted at a rate of 3% annually or, at State's sole discretion, the rate will be adjusted to market rent as determined by DGS.

(c) Notwithstanding any other term, provision, condition, or requirement of this Lease, in the event that the State exercises its right to terminate Lessee's cooperator rental status, as set forth in Paragraph 4 (b), Lessee shall have the right to terminate this Lease upon written notice to the State and no further rental obligation will accrue after the date of said notice by the Lessee, which shall be effective upon the date of mailing by Lessee.

(d) The initial lease period payment identified in the schedule below shows pro-rated rent and is due and payable March 1, 2026, and thereafter will be due and payable each July 1st during the remaining term of this Lease. Lessee's payments shall display State's File number L-1810 and shall be payable as follows:

| <u>Period</u> | <u>Term</u> | <u>Due Date</u> | <u>Rent Payable to DGS</u> | <u>Utilities and Maintenance Payable to CAL FIRE</u> |
|---------------|-------------------------------|-----------------|----------------------------|--|
| 1 | March 1, 2026 – June 30, 2026 | March 1, 2026 | \$ 108.00 | \$ 108.00 |
| 2 | July 1, 2026 – June 30, 2027 | July 1, 2026 | \$ 5,466.00 | \$ 5,466.00 |
| 3 | July 1, 2027 – June 30, 2028 | July 1, 2027 | \$ 5,630.00 | \$ 5,630.00 |
| 4 | July 1, 2028 – June 30, 2029 | July 1, 2028 | \$ 5,799.00 | \$ 5,799.00 |
| 5 | July 1, 2029 – June 30, 2030 | July 1, 2029 | \$ 5,973.00 | \$ 5,973.00 |
| 6 | July 1, 2030 – June 30, 2031 | July 1, 2030 | \$ 6,153.00 | \$ 6,153.00 |
| 7 | July 1, 2031 – June 30, 2032 | July 1, 2031 | \$ 6,337.00 | \$ 6,337.00 |

Payments shall be made payable to:

| | |
|-----------------------------------|---|
| Department of General Services | Department Forestry and Fire Protection |
| Accounts Receivables PAL (L-1810) | Accounting Section-Receivables (L-1810) |
| P. O. Box 989053 | P. O. Box 944246 |
| West Sacramento, CA 95798-9053 | Sacramento, CA 94244-2460 |

(e) Pursuant to Section 1, Clause 3 (Term) above, this Lease provides for three (3) successive five (5) year options to extend the term of the Lease. Should Lessee exercise its option to extend the term of this Lease, the annual rent for each such renewal option period shall increase at a rate of three percent (3%) per year in the renewal periods (rounded to the nearest dollar) pursuant to the Exhibit "C-1" rent schedule attached. The State reserves the right to adjust the renewal option rent pursuant to its telecom lease rate guidelines.

(f) If CAL FIRE site utility costs increase from utility provider, then State shall require Lessee to pay increased expenses, which will be separately invoiced by CAL FIRE. Upon thirty (30) days written notice, Lessee will pay the increased amount in accordance with this section.

Lessee acknowledges that rent and past due rent shall be due and payable to State whether or not an actual invoice is sent by State or received by Lessee.

3. Section 3, Clause 40 "EXECUTIVE ORDER N-6-22 – RUSSIA SANCTIONS" shall be added as follows:

On March 4, 2022, Governor Gavin Newsom issued Executive Order N-6-22 (EO) regarding Economic Sanctions against Russia and Russian entities and individuals. "Economic Sanctions" refers to sanctions imposed by the U.S. government in response to Russia's actions in Ukraine, as well as any sanctions imposed under state law. The EO directs state agencies to terminate contracts with, and to refrain from entering any new contracts with, individuals or entities that are determined to be a target of Economic Sanctions. Accordingly, should the State determine Contractor is a target of Economic Sanctions or is conducting prohibited transactions with sanctioned individuals or entities, that shall be grounds for termination of this agreement. The State shall provide Contractor advance written notice of such termination, allowing Contractor at least 30 calendar days to provide a written response. Termination shall be at the sole discretion of the State.

Except as amended herein, all the terms of said lease hereinabove referred to shall remain unchanged and in full force and effect.

REMAINDER OF THIS PAGE INTENTIONALLY LEFT BLANK

The persons who have executed this Amendment represent and warrant that they are duly authorized to execute it in their individual or representative capacity as indicated. This amendment may be executed in any number of counterpart copies, each of which shall be deemed an original, but all of which together shall constitute a single instrument.

IN WITNESS WHEREOF, this Amendment has been executed by the Parties below and shall be effective as of the date identified on page 1.

LESSEE

STATE OF CALIFORNIA

APPROVED:

DEPARTMENT OF GENERAL SERVICES
REAL ESTATE SERVICES DIVISION
ASSET MANAGEMENT BRANCH

By Trevor Johnson
Trevor Johnson, Manager
State Owned Leasing & Development

Digitally signed by Trevor Johnson
Date: 2026.04.27 17:18:26 -0700

By [Signature]
Name: Brooke Laine
Title: Chair, Board of Supervisors

Date 3/24/2026

DGS APPROVAL RECOMMENDED:
STATE OWNED LEASING AND DEVELOPMENT

By [Signature]
Karl Chism, Senior Real Estate Officer

Digitally signed by Karl L. Chism
Date: 2026.04.27 18:23:05 -0700

ATTEST:

By [Signature]
Name: Tyler Hartsell
Title: Deputy Clerk

CONSENT:

DEPARTMENT OF FORESTRY AND FIRE PROTECTION

By [Signature]
Michelle Lucia-Valenzuela
Assistant Deputy Director
Technical Services Section


Digitally signed by:



M E M O R A N D U M

Date: January 5, 2022

To: Lorina Pisi, Real Property Analyst A-45
Technical Services, Lands Unit
Department of Forestry and Fire Protection
1131 S Street
Sacramento, CA 95811-6524

From: Yolanda Villasenor, Telecommunications Systems Manager I (Supervisor) 
Public Safety Communications

Subject: CDF Radio Vault Space Application (TD-312) – New Lease
El Dorado County Sheriff – L-1158
Pine Hill, El Dorado County
CDF-VLT 002204

A technical analysis of the attached TD-312, California Department of Forestry and Fire Protection (CDF), Radio Vault Space Application for the El Dorado County Sheriff has been completed. The El Dorado County Sheriff is requesting to establish a new lease with the California Department of Forestry and Fire Protection (CDF) for the following existing equipment in Vault F at the Pine Hill CDF radio facility:

- One (1) Codan VHF repeater, TX 159.555 MHz, RX 161.070 MHz
- One (1) Codan VHF repeater, TX 159.690 MHz, RX 161.565 MHz
- One (1) Codan VHF repeater, TX 151.100 MHz, RX 159.165 MHz
- One (1) Kenwood UHF, TX 463.050 MHz, RX 468.050 MHz

All four repeaters are connected to the site's VHF and UHF shared antenna systems.

An intermodulation (IM) interference study shows this equipment potentially contributing to IM interference to five existing receivers. However, since the equipment has been installed and operational for over ten years with no reported interference, no on-site interference measurements are required.

The CDF has requested verification of the amount of rack space used by this installation. This equipment uses all of Rack 28 and 2/3 of Rack 29. See attached Vault Layout drawing number 409170-060.

The El Dorado County Sheriff will use commercial and emergency power.

This technical evaluation addresses co-location and interference issues only and makes no claim as to MPE (Maximum Permissible Exposure) compliance of the proposed installation.

Lorina Pisi
January 5, 2022
Page 2

The Office of Emergency Services, Public Safety Communications Special Projects Unit has reviewed the information provided and finds no other technical reason to deny this application.

Based on information shown on the application the Office of Emergency Services, Public Safety Communications technically approves this application. If at any time interference becomes a problem, it will be the responsibility of the El Dorado County Sheriff to resolve.

Please contact Robert Bjorklund, Senior Telecommunications Engineer at (916) 894-5228 or by email at robert.bjorklund@caloes.ca.gov if you have any questions.

Attachments

cc: Brian Kunz, Senior Telecommunications Engineer, Natural Resources Agency Unit

STATE OF CALIFORNIA

PUBLIC SAFETY COMMUNICATIONS OFFICE



RADIO VAULT SPACE APPLICATION

Non-State Users
TD 312 (Rev. 10/13)

TD-312: GENERAL INFORMATION & INSTRUCTIONS

The State of California owns and or operates telecommunications facilities at numerous locations throughout the State for use by State agencies requiring radio communications. Space at these facilities is made available to other than State of California users when it is surplus to the State's requirements

The State must review, manage and engineer any proposed installations. Once a new, renewal or modification TD-312 application has been received by CAL FIRE and is reviewed administratively, it is forwarded to the Public Safety Communications Office (PSCO) for technical analysis. A study will be performed to determine the impact of the application on the existing users at the site. Based on the study, the technical analysis will include specific recommendations to CAL FIRE. If serious technical difficulties are found and cannot be remedied, -PSCO will recommend to CAL FIRE to cancel the TD-312 application. Should this occur, CAL FIRE will compare the amount of work performed by the state to the application fee paid. If warranted, state will issue a partial refund.

In cooperation with the applicant, the State will attempt to meet all users' operational requirements.

Any subsequent labor time or material costs required for site engineering, antenna or combining system upgrades, or technician labor will be borne by the applicant at the PSCO current rates. Applicants will be notified by CAL FIRE of the amount due prior to work being performed. No further processing of the application will take place until a written approval of these expenses, and payment, is received from the applicant.

NOTE: Modification of site-master antenna or combining systems may NOT be done by a tenant. Such modifications must be designed by -PSCO engineering and installed by PSCO-approved technician resources.

PRIOR TO ADDITION OR DELETION of any transmitting or receiving frequencies, antennas or equipment, submittal of this application and all related fees is required for ALL non-State users (including new, pending, previous and current tenancy/occupancy). Approval is required by CAL FIRE prior to the proposed changes taking place in the facility

After filling out the attached application, sign the form on Page 6, and include the appropriate application fee. The following checklist will assist you in submitting all required items:

COMPLETE AND SIGNED APPLICATION

- Applicant SIGNATURE on Page 7
(page 8 is the first page of the technical application, pages 1-5 contain instructions and restrictions)
- Pages 6 - 7, Request and Contact Info
- Pages 8 - 10, Technical Data sheets
- Attach additional information sheets as needed

REQUIRED FEES technical analysis fee is required with TD-312 submittal.

xCATEGORY: 2-way RF, Telemetry

x \$2,500 Technical Analysis

CATEGORY: Commercial Cellular, Wireless Internet, Broadcasters, Microwave

\$5,000 Technical Analysis

LEASE SERVICES REQUIRED

- x New Lease
- Renewal
- Amendment

LEASE DOCUMENT REQUESTED

- xTower and Vault
- Tower
- Vault
- Ground Lease
- Other _____

Application Sheets are used to gather the appropriate administrative information to process the TD-312. These sheets must be completed, signed and accompanied with the Technical Data Sheets.

Applicant: EL DORADO COUNTY Sheriff
 (organization name)
200 Industrial RP
 (address)
Placerville CA 95667
 (city, state, zip)
530-621-5655
 (telephone number)
POST F of EDSO-ORG
 (email address)

In accordance with the attached Technical Data Sheet(s), application is hereby made to:

- Establish New Lease
- Modify/Amend Lease (describe specific changes):
(attach additional sheet if more space is required)

- Renew lease with modification as stated:
(attach additional sheet if more space is required)

- Renew lease (no changes, technical sheets must be completed)

- Lease _____ square feet → rack space

For vault space and related antenna space at PINE HILL 6-1158
(site name)

Power requirements for operations of communications equipment are:

- Commercial and emergency power
- Commercial power only
- No power required.

NOTE: Some radio vault facilities provide commercial and emergency power to each rack space without exception, and the tenant will be charged accordingly.

Person responsible for lease negotiations and submission of this application:

FRANK YOST
 (name)
200 Industrial RP
 (address)
Placerville CA 95667
 (city, state, zip)
530-642-9994
 (telephone number)
YOST F at FEDSO.org
 (email address)

Billing Information:

Applicant: EL Dorado Sheriff Dept
 (name)
200 Industrial RP
 (address)
Placerville, CA 95226
 (city, state, zip)
530-621-5655
 (telephone number)
YOST F at FEDSO.org
 (email address)

It is understood that if any subsequent on-site testing is required, it will be charged to the lessee at the current rate determined by the State. In addition, any required engineering or technician labor charges or parts procurement expenses, plus a program management fee, will be re-billed to the lessee at the current rates being charged by the State. Prior to these charges being incurred, a written estimate and acceptance document will be forwarded to the applicant for review and signature.

Applicant: EL DORADO SHERIFF
 By: FRANK YOST
 Title: COMMUNICATIONS MANAGER
 Date: 8-11-11

Receipt of a non-refundable application fee in the amount of \$_____ is hereby acknowledged.

STATE OF CALIFORNIA

By: _____
 Date: _____

NOTE: A fee will be required when this agreement is renewed for a new term or when changes are made to an existing agreement and the preparation of a new lease agreement is required.

TECHNICAL DATA SHEETS

Data submitted on the Technical Data Sheets is used by the PSCO engineers to perform a study to determine the impact of the application on the existing users at the site. Please complete these sheets in its entirety and provide required information. Existing tenants must reflect the tenants installed equipment and equipment changes (new installations, removals, etc.).

Site Name: PINE HILL Date: 8-11-21
County: EL DORADO CO

The following technical data is submitted in conjunction with a request for vault space.

If this is a land lease application for Cellular, applicant must provide plot plans, construction drawings and a written description of proposed land use.

Person responsible for technical operation of this station (person who can provide technical details):

FRANK YOST
(name)
200 Industrial P.P.
(address)
PLACERVILLE CA 95667
(city, state, zip)
530-642-4944
(telephone number)

Date equipment desired to be in operation: is in operation
(It should be noted that, due to engineering priorities, this application may require up to one (1) full year to process.)

Equipment is to operate in the FW Radio Service.
FCC call sign of this installation: _____ (Include a copy of the FCC license) WYU 202

Type of operation: Base Station Mobile Relay Microwave Station
 Other _____

Amount of rack space required to house equipment (in inches): 3 racks already installed

(NOTE: Unless otherwise authorized, all electronic equipment is to be mounted in 7'6" aluminum open-frame relay racks and fastened to the site's earthquake bracing and cable ladder system. One rack occupies 2' by 2' of floor space.)

Additional space desired to mount cavities, duplexers, batteries, etc.:
 Wall Space Floor Space _____ (HxWxD, inches)
 Rack Space Additional space not required

Space for battery facilities required, if any, including charger:
 Wall Space Floor Space _____ (HxWxD, inches)
 Radio Rack Not required

Maximum power consumption: TRANSMIT: 100 _____ Watts RECEIVE: 10 Watts at
Voltage: 110 Volts AC x 12 volts DC 48 volts DC
 Other _____

EQUIPMENT DATA

New Tenant: Provide data for each piece of equipment to be installed in each vault space and identify as New (N).

Existing Tenant: Provide data for each piece of equipment currently installed and identify as Existing (E). If adding or removing equipment; identify the appropriate action New (N), Removing (R).

FREQUENCY INFORMATION: CELLULAR APPLICANTS MUST PROVIDE SPECIFIC CHANNELS TO BE USED (NOT THE BAND). IF SPECIFIC FREQUENCIES HAVE NOT BEEN PROVIDED THE APPLICATION WILL BE RETURNED.

Be sure to include a system block diagram on the page furnished for that purpose. Duplicate this page as required to show all equipment desired to be installed:

F1

| TRANSMITTER #1 | Power output | W | Existing (E) Removing (R) New (N) |
|-----------------------------|--------------|---|---|
| Frequency(s) 159.585 mhz | 100 watts | | |
| Make and Model: codan | | | |

| RECEIVER #1 | Existing (E) Removing (R) New (N) |
|-------------------------|---|
| Frequency(s) 161.070 | |
| Make and Model: codan | |

F2

| TRANSMITTER #2 | Power output | W | Existing (E) Removing (R) New (N) |
|-------------------------|--------------|---|---|
| Frequency(s) 159.890 | 100 watts | | |
| Make and Model: codan | | | |

| RECEIVER #2 | Existing (E) Removing (R) New (N) |
|-------------------------|---|
| Frequency(s) 161.965 | |
| Make and Model: codan | |

DOT

| TRANSMITTER #3 | Power output | W | Existing (E) Removing (R) New (N) |
|-------------------------|--------------|---|---|
| Frequency(s) 151.100 | 100 watts | | |
| Make and Model: codan | | | |

| RECEIVER #3 | Existing (E) Removing (R) New (N) |
|-------------------------|---|
| Frequency(s) 159.168 | |
| Make and Model: codan | |

*Net
Net*

| TRANSMITTER #4 | Power output | W | Existing (E) Removing (R) New (N) |
|-------------------------|--------------|---|---|
| Frequency(s) 483.050 | 100 watts | | |
| Make and Model: kenwood | | | |

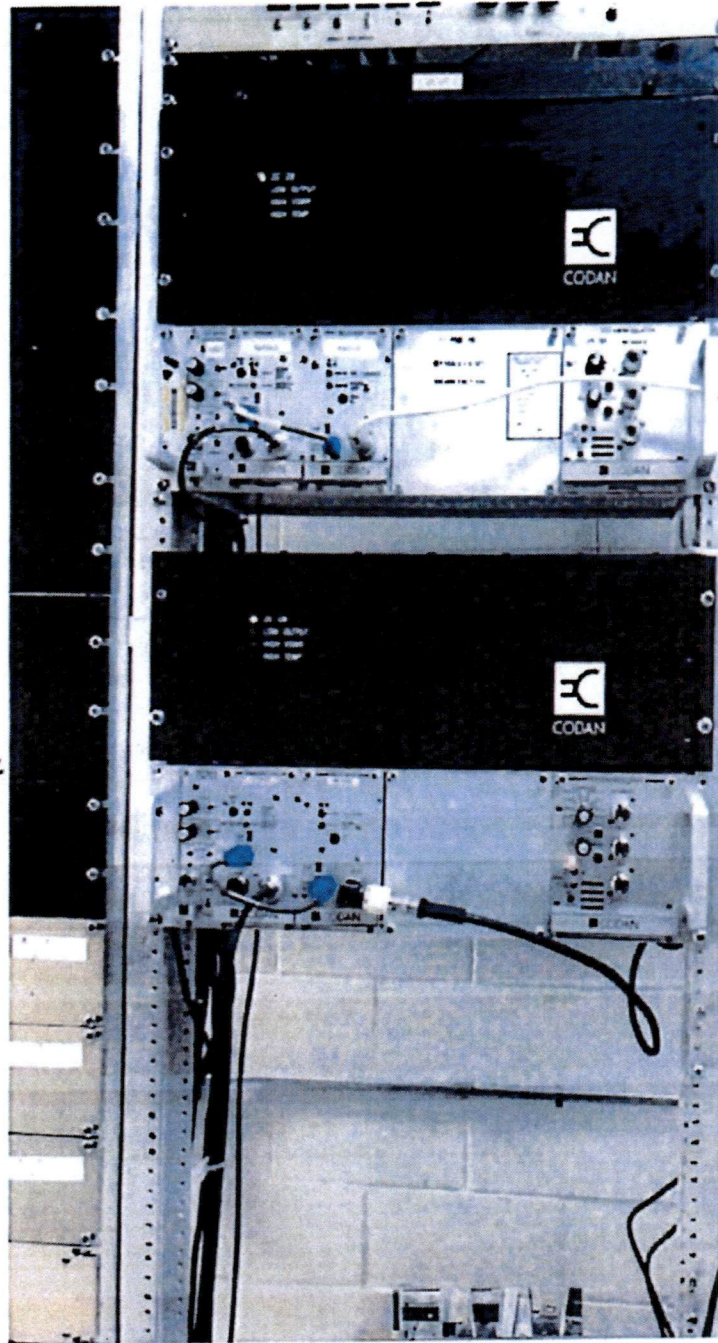
| RECEIVER #4 | Existing (E) Removing (R) New (N) |
|-------------------------|---|
| Frequency(s) 483.050 | |
| Make and Model: kenwood | |

FRANS #14 *100 watts*

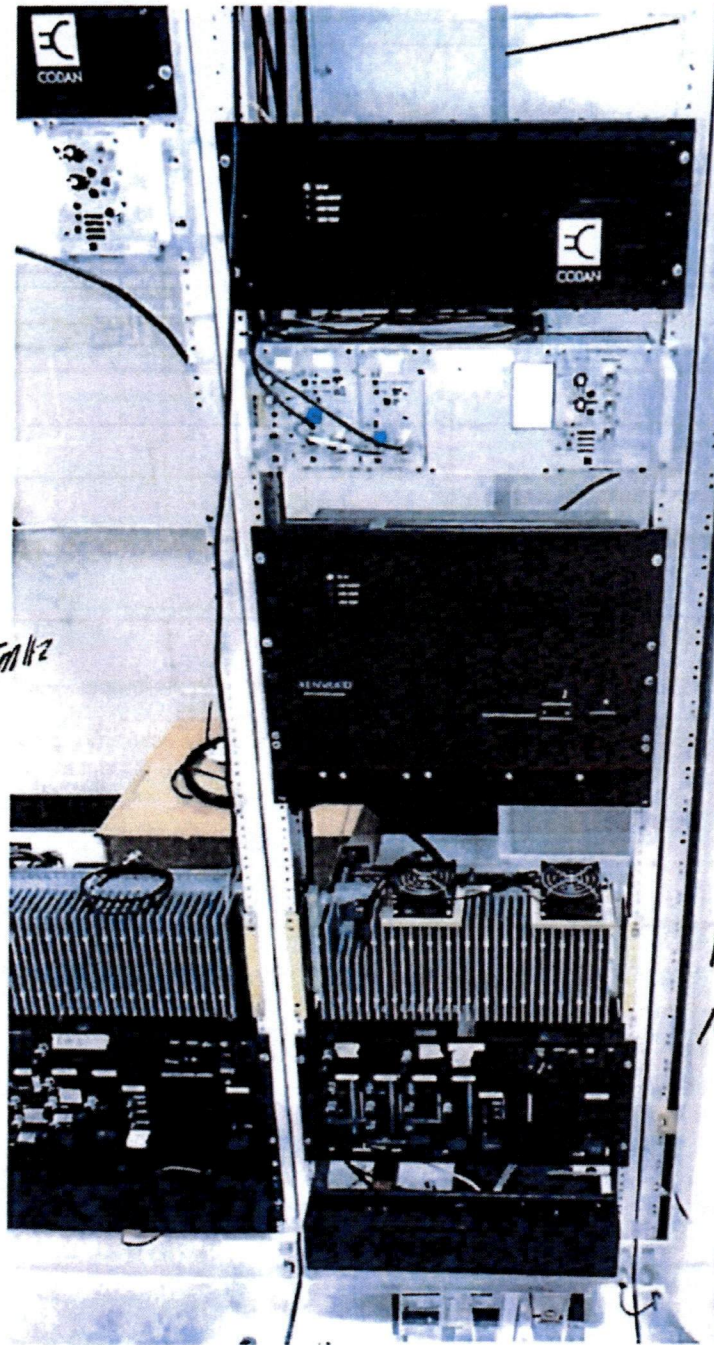
IMG_1302.jpg [Download](#) [Full screen](#) [Print](#) [Save to OneDrive](#)

SO F2
159.690

SO: F1
159.550 MHz



IMG_1301.jpg [Download](#) [Full screen](#) [Print](#) [Save to OneDrive](#)



Med Net
4
463-075M12

orig. Pac
→

DOT
15/100

ANTENNA DATA

New Tenant: Provide data for each antenna to be installed at this vault facility and identify as **New (N)**.

Existing Tenant: Provide data for each antenna currently installed and identify as **Existing (E)**. If adding or removing an antenna; identify the appropriate action **New (N)**, **Removing (R)**.

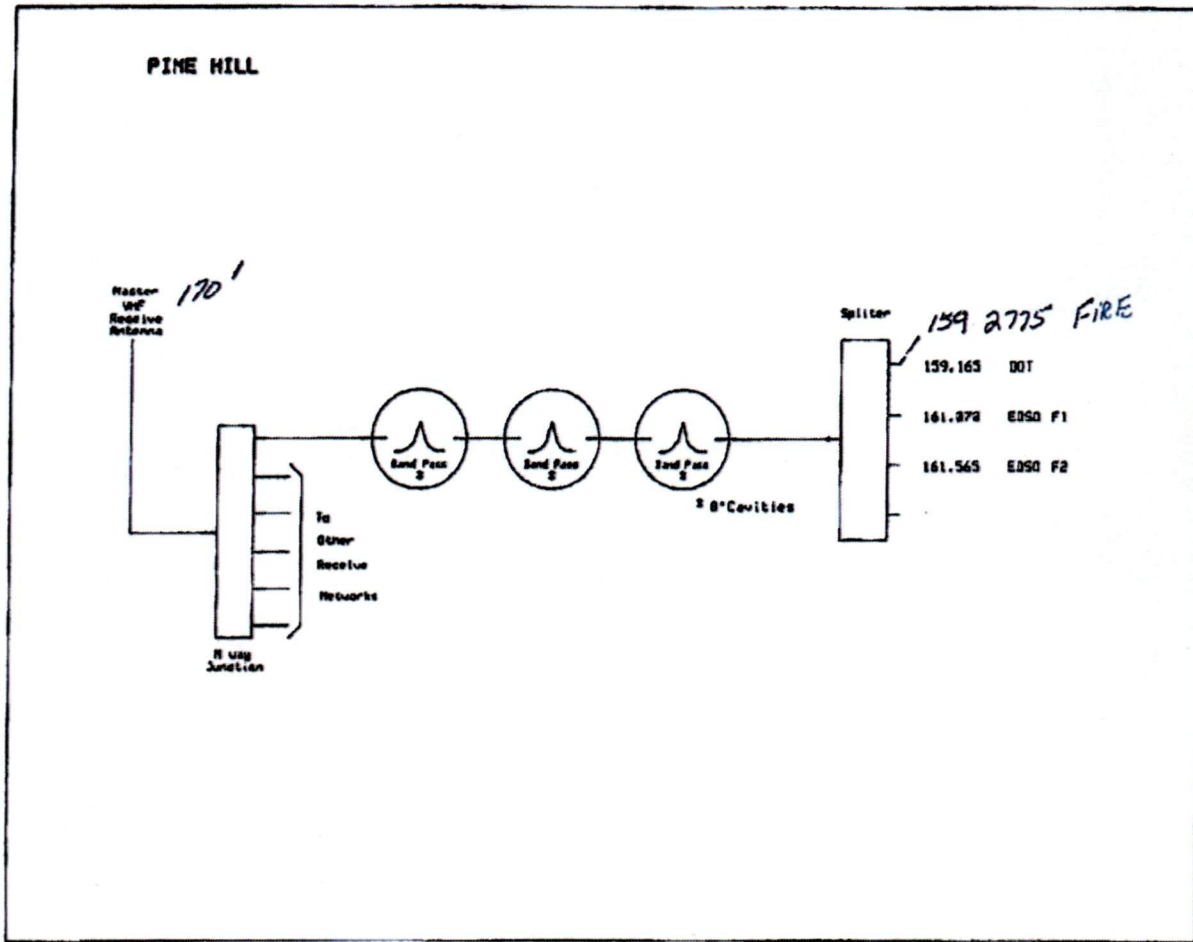
| Antenna number | Make and Model | Length or M/W dish size | Gain (dBd) (dBi for M/W) | Azimuth (relative to true north) | *Height desired (feet) | Existing (E) Removing (R) New (N) |
|----------------|---|-------------------------|--------------------------|----------------------------------|------------------------|-----------------------------------|
| 1 | All systems are connected to state Antennas | | | | | |
| 2 | | | | | | |
| 3 | | | | | | |
| 4 | | | | | | |
| 5 | | | | | | |
| 6 | | | | | | |
| 7 | | | | | | |

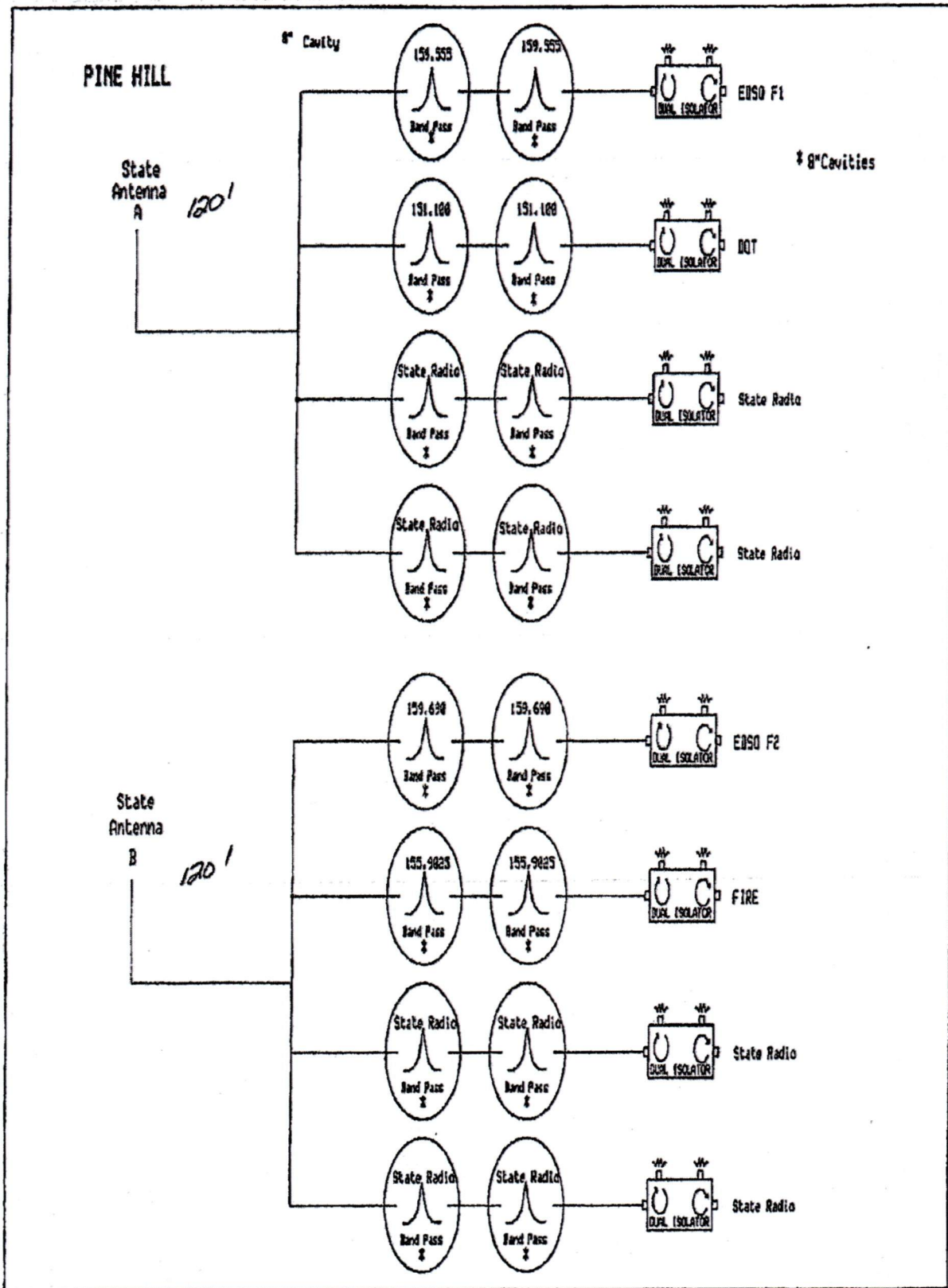
* For VHF antennas, show desired height to base of antenna support. For microwave dishes, show desired height to center of radiating element.

AUXILIARY EQUIPMENT DATA

For each transmitter, receiver, or combination, supply the following:

Make and model of cavity(s), filter(s), isolator(s), duplexer(s), etc., desired to be installed at this site. Please indicate the desired location where these items are to be mounted in the vault. Be sure to include these elements on the system block diagram on the page provided for that purpose.





ULS License

Public Safety Pool, Conventional License - WPJH204 - EL DORADO, COUNTY OF

| | | | |
|-----------------------|---|----------------------|---------------------------------------|
| Call Sign | WPJH204 | Radio Service | PW - Public Safety Pool, Conventional |
| Status | Active | Auth Type | Regular |
| Dates | | | |
| Grant | 08/08/2015 | Expiration | 08/08/2025 |
| Effective | 03/21/2020 | Cancellation | |
| Control Points | | | |
| 1 | 200 INDUSTRIAL DR, EL DORADO, PLACERVILLE, CA P: (530)621-5655 | | |

| | | | |
|--|------------|-------------------------|---------------------|
| FRN | 0022299101 | Type | Governmental Entity |
| Licensee | | | |
| EL DORADO, COUNTY OF 200 INDUSTRIAL DR PLACERVILLE, CA 95667 ATTN COMMUNICATIONS DEPARTMENT | | P: (530)626-2449 | |

| | |
|--|-------------------------|
| Contact | |
| EL DORADO, COUNTY OF | P: (530)642-4944 |
| 200 INDUSTRIAL DR Placerville, CA 95667 ATTN COMMUNICATIONS DEPT | |

| | | |
|--|-------------------------|--|
| Extended Implementation (Slow Growth) | Assoc.Call Signs | <u>KMA912</u> , <u>WPPE203</u> , WPIY380, <u>WPJZ710</u> |
|--|-------------------------|--|

Eligibility

90.20A - APPLICANT IS COUNTY GOVERNMENT AUTHORIZED BY LAW TO PROVIDE IT S OWN POLICE PROTECTION. WILL USE RADIO TO TRANSMIT COMMUNICATIONS ESSENTIAL TO OFFICIAL POLICE ACTIVITIES OF APPLICANT.

| | |
|---------------------------|--|
| Radio Service Type | Fixed, Mobile |
| Regulatory Status | Private Comm Interconnected No |

Alien Ownership

Is the applicant a foreign government or the representative of any foreign government? No

Is the applicant an alien or the representative of an alien?

Is the applicant a corporation organized under the laws of any foreign government?

ULS License

Public Safety Pool, Conventional License - WPJH204 - EL DORADO, COUNTY OF

Locations Summary

Call Sign **WPJH204** Radio Service **PW - Public Safety Pool, Conventional**

13 Total Locations
10 Locations per Summary Page

SC = Special Condition **TP** = Termination Pending

| Location | Transmitter Address /Area of Operation | Latitude, Longitude | Status |
|-------------------------------|--|-----------------------------|--------|
| 1 - Fixed | UNION HILL POLLACK PINES, CA EL DORADO County | 38-45-46.7 N, 120-33-13.7 W | |
| 2 - Fixed | PINE HILL RESCUE, CA EL DORADO County | 38-43-09.6 N, 120-59-25.8 W | |
| 3 - Fixed | FAIR PLAY HILL OMO RANCH, CA EL DORADO County | 38-34-51.7 N, 120-36-51.7 W | |
| 4 - Fixed | BALD MOUNTAIN GEORGETOWN, CA EL DORADO County | 38-54-15.6 N, 120-42-21.7 W | |
| 5 - Fixed | BIG HILL RIVERTON, CA EL DORADO County | 38-50-31.7 N, 120-24-29.7 W | |
| 6 - Fixed | 300 FAIR LN PLACERVILLE, CA EL DORADO County | 38-43-34.7 N, 120-49-43.8 W | |
| 7 - 6.1 meter control station | CA | | |
| 8 - Mobile | 40.0 km radius around a fixed location 1 | | |
| 9 - Mobile | 40.0 km radius around a fixed location 2 | | |
| 10 - Mobile | 40.0 km radius around a fixed location 3 | | |

13 Total Locations
10 Locations per Summary Page

ULS License

Public Safety Pool, Conventional License - WPJH204 - EL DORADO, COUNTY OF

Frequencies Summary

Call Sign **WPJH204** Radio Service **PW - Public Safety Pool, Conventional**

20 Frequencies for all locations
20 Frequencies per Summary Page

SC = Special Condition **TP** = Termination Pending

| Frequency | Loc# | Ant# | Freq ID | Station Class | Units | Paging Rec. | Output Power | Maximum ERP |
|-----------------|------|------|---------|---------------|-------|-------------|--------------|-------------|
| 000159.55500000 | 1 | 1 | 1 | FB2 | 1 | | 75.000 | 267.000 |
| 000159.55500000 | 2 | 1 | 1 | FB2 | 1 | | 75.000 | 133.000 |
| 000159.55500000 | 3 | 1 | 1 | FB2 | 1 | | 75.000 | 77.000 |
| 000159.55500000 | 4 | 1 | 1 | FB2 | 1 | | 75.000 | 29.000 |
| 000159.55500000 | 5 | 1 | 1 | FB2 | 1 | | 75.000 | 375.000 |
| 000159.55500000 | 6 | 1 | 1 | FB | 1 | | 40.000 | 200.000 |
| 000159.55500000 | 8 | 1 | 1 | MO | 300 | | 75.000 | 150.000 |
| 000159.55500000 | 9 | 1 | 1 | MO | 300 | | 75.000 | 150.000 |
| 000159.55500000 | 10 | 1 | 1 | MO | 300 | | 75.000 | 150.000 |
| 000159.55500000 | 11 | 1 | 1 | MO | 300 | | 75.000 | 150.000 |
| 000159.55500000 | 12 | 1 | 1 | MO | 300 | | 75.000 | 150.000 |
| 000160.69500000 | 6 | 1 | 2 | FB | 1 | | 40.000 | 200.000 |
| 000160.69500000 | 8 | 1 | 2 | MO | 300 | | 75.000 | 150.000 |
| 000160.69500000 | 13 | 1 | 1 | MO | 300 | | 75.000 | 150.000 |
| 000161.07000000 | 7 | 1 | 1 | FX1 | 1 | | 40.000 | 200.000 |
| 000161.07000000 | 8 | 1 | 3 | MO | 300 | | 75.000 | 150.000 |
| 000161.07000000 | 9 | 1 | 2 | MO | 300 | | 75.000 | 150.000 |
| 000161.07000000 | 10 | 1 | 2 | MO | 300 | | 75.000 | 150.000 |
| 000161.07000000 | 11 | 1 | 2 | MO | 300 | | 75.000 | 150.000 |
| 000161.07000000 | 12 | 1 | 2 | MO | 300 | | 75.000 | 150.000 |

20 Frequencies for all locations
20 Frequencies per Summary Page

ULS License

Public Safety Pool, Conventional License - KUQ789 - EL DORADO, COUNTY OF

| | | | |
|--------------|------------|---------------|---------------------------------------|
| Call Sign | KUQ789 | Radio Service | PW - Public Safety Pool, Conventional |
| Status | Active | Auth Type | Regular |
| Dates | | | |
| Grant | 03/26/2014 | Expiration | 03/28/2024 |
| Effective | 03/21/2020 | Cancellation | |

Control Points

1 WESTERN EL DORADO CTY MISSOURI FLAT & HEADINGTON RDS, EL DORADO, PLACERVILLE, CA
P: (530)626-2449

| | | | |
|-----|------------|------|---------------------|
| FRN | 0022299101 | Type | Governmental Entity |
|-----|------------|------|---------------------|

Licensee

EL DORADO, COUNTY OF
200 INDUSTRIAL DR
PLACERVILLE, CA 95667
ATTN COMMUNICATIONS DEPT

P:(530)626-2449

Contact

El Dorado, County of

P:(530)642-4944

200 INDUSTRIAL DR
Placerville, CA 95667
ATTN Communications Dept

Extended Implementation (Slow Growth)

Assoc.Call Signs

Eligibility

90.23A

| | | | |
|--------------------|---------------|----------------|----|
| Radio Service Type | Fixed, Mobile | | |
| Regulatory Status | Private Comm | Interconnected | No |

Alien Ownership

Is the applicant a foreign government or the representative of any foreign government? No

Is the applicant an alien or the representative of an alien?

Is the applicant a corporation organized under the laws of any foreign government?

Is the applicant a corporation of which more than one-fifth of the

capital stock is owned of record or voted by aliens or their representatives or by a foreign government or representative thereof or by any corporation organized under the laws of a foreign country?

Is the applicant directly or indirectly controlled by any other corporation of which more than one-fourth of the capital stock is owned of record or voted by aliens, their representatives, or by a foreign government or representative thereof, or by any corporation organized under the laws of a foreign country?

The Alien Ruling question is not answered.

Basic Qualifications

The Applicant answered "No" to each of the Basic Qualification questions.

Demographics

Race

Ethnicity

Gender



Universal Licensing System

[FCC](#) > [WTB](#) > [ULS](#) > [Online Systems](#) > [License Search](#)

[FCC Site Map](#)

Public Safety Pool, Conventional License - KUQ789 - EL DORADO, COUNTY OF

[? HELP](#)

Locations Summary

[New Search](#) [Refine Search](#) [Return to Results](#) [Printable Page](#) [Reference Copy](#) [Map License](#)

MAIN ADMIN **LOCATIONS** FREQUENCIES MAP

Call Sign: **KUQ789** Radio Service: **PW - Public Safety Pool, Conventional**

6 Total Locations Locations Displayed: All | Fixed | Mobile | Itinerant | Temp Fixed | 6.1m
10 Locations per Summary Page

SC = Special Condition **TP** = Termination Pending

| Location | Transmitter Address / Area of Operation | Latitude, Longitude | Status |
|----------------------------|--|-----------------------------|--------|
| 1 - Mobile | EL DORADO County, CA | | |
| 2 - Fixed | MISSOURI FLAT & HEADINGTON RDS PLACERVILLE, CA EL DORADO County | 38-42-49.7 N, 120-50-26.8 W | |
| 3 - Fixed | PINE HILL 2 MI NW RESCUE, CA EL DORADO County | 38-43-01.6 N, 120-59-27.8 W | |
| 4 - Fixed | BIG HILL 5 MI N RIVERTON, CA EL DORADO County | 38-50-31.7 N, 120-24-29.7 W | |
| 5 - Fixed | SHAKORI & KASKA RDS TAHOE PARADISE, CA EL DORADO County | 38-50-42.7 N, 120-00-57.7 W | |
| 6 - Fixed | 1376 JOHNSON BLVD SOUTH LAKE TAHOE, CA EL DORADO County | 38-56-01.7 N, 119-58-19.7 W | |

6 Total Locations Locations Displayed: All | Fixed | Mobile | Itinerant | Temp Fixed | 6.1m
10 Locations per Summary Page

ULS Help [ULS Glossary](#) - [FAQ](#) - [Online Help](#) - [Technical Support](#) - [Licensing Support](#)
ULS Online Systems [CORES](#) - [ULS Online Filing](#) - [License Search](#) - [Application Search](#) - [Archive License Search](#)
About ULS [Privacy Statement](#) - [About ULS](#) - [ULS Home](#)
Basic Search By Call Sign

[FCC](#) | [Wireless](#) | [ULS](#) | [CORES](#)

[Help](#) | [Tech Support](#)

Federal Communications Commission
45 L Street NE
Washington, DC 20554

Phone: 1-877-480-3201
TTY: 1-717-338-2824
[Submit Help Request](#)



Universal Licensing System

[FCC](#) > [WTB](#) > [ULS](#) > [Online Systems](#) > License Search

[FCC Site Map](#)

Public Safety Pool, Conventional License - KUQ789 - EL DORADO, COUNTY OF

[HELP](#)

Frequencies Summary

[New Search](#) [Refine Search](#) [Return to Results](#) [Printable Page](#) [Reference Copy](#) [Map License](#)

MAIN ADMIN LOCATIONS **FREQUENCIES** MAP

Call Sign **KUQ789**

Radio Service **PW - Public Safety Pool, Conventional**

9 Frequencies for all locations
20 Frequencies per Summary Page

Filter Frequencies By Location:
All Locations

= Special Condition = Termination Pending Define View: [General](#) | [Buildout](#) | [COSER](#) | [Emission](#) | [IRAC](#)

| Frequency | Loc# | Ant# | Freq ID | Station Class | Units | Paging Rec. | Output Power | Maximum ERP |
|---------------------------------|------|------|---------|---------------|-------|-------------|--------------|-------------|
| 000151.10000000 | 1 | 1 | 1 | MO | 75 | | 100.000 | |
| 000151.10000000 | 2 | 1 | 1 | FB | 1 | | 100.000 | 310.000 |
| 000151.10000000 | 3 | 1 | 1 | FB2 | 1 | | 100.000 | 315.000 |
| 000151.10000000 | 4 | 1 | 1 | FB2 | 1 | | 100.000 | 312.000 |
| 000151.10000000 | 5 | 1 | 1 | FB | 1 | | 100.000 | 308.000 |
| 000151.10000000 | 6 | 1 | 1 | FB2 | 1 | | 100.000 | 282.000 |
| 000159.16500000 | 1 | 1 | 2 | MO | 75 | | 100.000 | |
| 000159.16500000 | 2 | 1 | 2 | FX1 | 1 | | 100.000 | 310.000 |
| 000159.16500000 | 5 | 1 | 2 | FX1 | 1 | | 100.000 | 308.000 |

9 Frequencies for all locations
20 Frequencies per Summary Page

Filter Frequencies By Location:
All Locations

ULS Help

[ULS Glossary](#) - [FAQ](#) - [Online Help](#) - [Technical Support](#) - [Licensing Support](#)

ULS Online Systems

[CORES](#) - [ULS Online Filing](#) - [License Search](#) - [Application Search](#) - [Archive License Search](#)

About ULS

[Privacy Statement](#) - [About ULS](#) - [ULS Home](#)

Basic Search

By Call Sign

[FCC](#) | [Wireless](#) | [ULS](#) | [CORES](#)

[Help](#) | [Tech Support](#)

Federal Communications Commission
45 L Street NE
Washington, DC 20554

Phone: 1-877-480-3201
TTY: 1-717-338-2824
[Submit Help Request](#)



Universal Licensing System

[FCC](#) > [WTB](#) > [ULS](#) > [Online Systems](#) > [License Search](#)

[FCC Site Map](#)

Public Safety Pool, Conventional License - WPWF450 - CALIFORNIA, STATE OF

[? HELP](#)

Locations Summary

[New Search](#) [Refine Search](#) [Return to Results](#) [Printable Page](#) [Reference Copy](#) [Map License](#)

MAIN ADMIN **LOCATIONS** FREQUENCIES MAP

Call Sign: **WPWF450** Radio Service: **PW - Public Safety Pool, Conventional**

8 Total Locations Locations Displayed: **All | Fixed | Mobile | Itinerant | Temp Fixed | 6.1m**
10 Locations per Summary Page

= Special Condition = Termination Pending

| Location | Transmitter Address / Area of Operation | Latitude, Longitude | Status |
|----------------------------|---|-----------------------------|--------|
| <u>1 - Fixed</u> | UNION HILL 1 KM E POLLOCK PINES, CA EL DORADO County | 38-45-46.7 N, 120-33-13.7 W | |
| <u>2 - Fixed</u> | HOTCHKISS HILL ROAD GEORGETOWN, CA EL DORADO County | 38-54-45.6 N, 120-48-50.8 W | |
| <u>3 - Fixed</u> | END OF WATER PLANT ROAD PLACERVILLE, CA EL DORADO County | 38-43-16.7 N, 120-47-49.8 W | |
| <u>4 - Fixed</u> | PINE HILL 3 KM W RESCUE, CA EL DORADO County | 38-43-10.3 N, 120-59-25.4 W | |
| <u>5 - Fixed</u> | 2840 MOUNT DANAHER ROAD CAMINO, CA EL DORADO County | 38-44-41.0 N, 120-40-03.1 W | P |
| <u>6 - Mobile</u> | 40.0 km radius around centerpoint | 38-45-00.0 N, 120-40-00.0 W | |
| <u>7 - Temporary Fixed</u> | EL DORADO County, CA | | |
| <u>8 - Mobile</u> | 30.0 km radius around centerpoint | 38-45-00.0 N, 120-40-00.0 W | |

8 Total Locations Locations Displayed: **All | Fixed | Mobile | Itinerant | Temp Fixed | 6.1m**
10 Locations per Summary Page

*State Radio
in Rock #2*

ULS Help [ULS Glossary](#) - [FAQ](#) - [Online Help](#) - [Technical Support](#) - [Licensing Support](#)
ULS Online Systems [CORES](#) - [ULS Online Filing](#) - [License Search](#) - [Application Search](#) - [Archive License Search](#)
About ULS [Privacy Statement](#) - [About ULS](#) - [ULS Home](#)

Basic Search By Call Sign



Universal Licensing System

[FCC](#) > [WTTB](#) > [ULS](#) > [Online Systems](#) > [License Search](#)

[FCC Site Map](#)

Public Safety Pool, Conventional License - WPWF450 - CALIFORNIA, STATE OF

[HELP](#)

Frequencies Summary

[New Search](#) [Refine Search](#) [Return to Results](#) [Printable Page](#) [Reference Copy](#) [Map License](#)

MAIN ADMIN LOCATIONS **FREQUENCIES** MAP

Call Sign **WPWF450**

Radio Service **PW - Public Safety Pool, Conventional**

14 Frequencies for all locations
20 Frequencies per Summary Page

Filter Frequencies By Location:
All Locations

SC = Special Condition TP = Termination Pending Define View: [General](#) | [Bulldozer](#) | [COSEB](#) | [Emission](#) | [IRAC](#)

| Frequency | Loc# | Ant# | Freq ID | Station Class | Units | Paging Rec. | Output Power | Maximum ERP |
|---------------------------------|------|------|---------|---------------|-------|-------------|--------------|-------------|
| 000155.90250000 | 1 | 2 | 1 | FB | 1 | | 28.000 | 16.000 |
| 000155.90250000 | 1 | 2 | 2 | FB2 | 1 | | 28.000 | 16.000 |
| 000155.90250000 | 2 | 2 | 1 | FB | 1 | | 50.000 | 112.000 |
| 000155.90250000 | 2 | 2 | 2 | FB2 | 1 | | 50.000 | 112.000 |
| 000155.90250000 | 3 | 2 | 1 | FB | 1 | | 23.000 | 13.000 |
| 000155.90250000 | 3 | 2 | 2 | FB2 | 1 | | 23.000 | 13.000 |
| 000155.90250000 | 4 | 2 | 1 | FB | 1 | | 50.000 | 112.000 |
| 000155.90250000 | 4 | 2 | 2 | FB2 | 1 | | 50.000 | 112.000 |
| 000155.90250000 | 6 | 1 | 3 | MO | 600 | | 50.000 | 50.000 |
| 000155.90250000 | 7 | 1 | 4 | FBT | 1 | | 10.000 | 8.000 |
| 000155.90250000 | 7 | 1 | 5 | FB2T | 1 | | 10.000 | 8.000 |
| 000159.27750000 | 5 | 1 | 2 | FX1 | 1 | | 50.000 | 89.000 |
| 000159.27750000 | 7 | 1 | 6 | FX1T | 6 | | 10.000 | 10.000 |
| 000159.27750000 | 8 | 1 | 1 | MO | 600 | | 50.000 | 50.000 |

14 Frequencies for all locations
20 Frequencies per Summary Page

Filter Frequencies By Location:
All Locations

ULS Help [ULS Glossary](#) - [FAQ](#) - [Online Help](#) - [Technical Support](#) - [Licensing Support](#)
ULS Online Systems [CORES](#) - [ULS Online Filing](#) - [License Search](#) - [Application Search](#) - [Archive License Search](#)
About ULS [Privacy Statement](#) - [About ULS](#) - [ULS Home](#)
Basic Search By Call Sign



Universal Licensing System

[FCC](#) > [WTB](#) > [ULS](#) > [Online Systems](#) > License Search

[FCC Site Map](#)

Public Safety Pool, Conventional License - WPWF450 - CALIFORNIA, STATE OF

[HELP](#)

Locations Summary

[New Search](#) [Refine Search](#) [Return to Results](#) [Printable Page](#) [Reference Copy](#) [Map License](#)

MAIN ADMIN **LOCATIONS** FREQUENCIES MAP

Call Sign: WPWF450 Radio Service: PW - Public Safety Pool, Conventional

8 Total Locations Locations Displayed: All | Fixed | Mobile | Itinerant | Temp Fixed | 6,1m
 10 Locations per Summary Page

SC = Special Condition **TP** = Termination Pending

| Location | Transmitter Address /Area of Operation | Latitude, Longitude | Status |
|-------------------------------------|---|-------------------------------|--------|
| 1 - Fixed | UNION HILL 1 KM E POLLOCK PINES, CA EL DORADO County | 38-45-46.7 N, 120-33-13.7 W | |
| 2 - Fixed | HOTCHKISS HILL ROAD GEORGETOWN, CA EL DORADO County | 38-54-45.6 N, 120-48-50.8 W | |
| 3 - Fixed | END OF WATER PLANT ROAD PLACERVILLE, CA EL DORADO County | 38-43-16.7 N, 120-47-49.8 W | |
| 4 - Fixed | PINE HILL 3 KM W RESCUE, CA EL DORADO County | 38-43-10.3 N, 120-59-25.4 W | |
| 5 - Fixed | 2840 MOUNT DANAHAR ROAD CAMINO, CA EL DORADO County | 38-44-41.0 N, 120-40-03.1 W P | |
| 6 - Mobile | 40.0 km radius around centerpoint | 38-45-00.0 N, 120-40-00.0 W | |
| 7 - Temporary Fixed | EL DORADO County, CA | | |
| 8 - Mobile | 30.0 km radius around centerpoint | 38-45-00.0 N, 120-40-00.0 W | |

8 Total Locations Locations Displayed: All | Fixed | Mobile | Itinerant | Temp Fixed | 6,1m
 10 Locations per Summary Page

ULS Help [ULS Glossary](#) - [FAQ](#) - [Online Help](#) - [Technical Support](#) - [Licensing Support](#)
ULS Online Systems [CORES](#) - [ULS Online Filing](#) - [License Search](#) - [Application Search](#) - [Archive License Search](#)
About ULS [Privacy Statement](#) - [About ULS](#) - [ULS Home](#)

Basic Search By Call Sign

L-1810 - EXHIBIT B-1



Cal OES
GOVERNOR'S OFFICE
OF EMERGENCY SERVICES

M E M O R A N D U M

Date: February 27, 2025

To: Neal Banyard, Lands Unit Manager A-45
Supervisory Land Surveyor
Technical Services
1131 S Street
Sacramento, CA 95811

From: Yolanda Villasenor, Telecommunications Systems Manager I (Supervisor) *W*
Public Safety Communications

Subject: CDF Radio Vault Space Application (TD-312) – Modification
El Dorado County Sheriff's Office – L-1810
Pine Hill L.O. – El Dorado County
CDF-VLT 002517

A technical analysis of the attached TD-312, California Department of Forestry and Fire Protection (CDF), Radio Vault Space Application lease modification for the El Dorado County Sheriff's Office has been completed. The El Dorado County Sheriff's Office is requesting the following additional installations at the Pine Hill radio site:

Radios:

Three (3) Aviat WTM 4100 A2C - 11 GHz microwave radios installed behind the new Aviat antennas listed below.

Antennas:

Aviat AND-VHLP2-11W-GTU 2-foot parabolic dish at the 50-foot level
Aviat AND-VHLP3-11W-GTU 2-foot parabolic dish at the 54-foot level
Aviat AND-VHLP2-11W-GTU 2-foot parabolic dish at the 57-foot level

On the day of equipment activation an Office of Emergency Services, Public Safety Communications telecommunications technician must perform effective sensitivity measurements on the state agency receivers at this location both before and after the new equipment is placed into service. If more than 1 dB of degradation is noted, the new equipment must be deactivated until the problem is corrected, as confirmed by new measurements performed by Office of Emergency Services, Public Safety Communications technician.

The Office of Emergency Services, Public Safety Communications Area Supervisor must be contacted (916-894-5194) at least two weeks in advance of the planned activation so that arrangements can be made for the tests.

Neal Banyard
February 27, 2025
Page 2

This technical evaluation addresses co-location and interference issues only and makes no claim as to the structural suitability or MPE (Maximum Permissible Exposure) compliance of the proposed installation.

The El Dorado County Sheriff's Office will operate on the following frequencies:

Transmitter #1
10995 MHz (new)

Receiver #1
N/A

Transmitter #2
10775 MHz (new)

Receiver #2
N/A

Transmitter #3
11055 MHz (new)

Receiver #3
N/A

The El Dorado County Sheriff's Office will occupy antenna space 46, 52 and 53 (Tower 3). See attached Antenna Space Assignment drawing 409170-063.

The Office of Emergency Services, Public Safety Communications-Special Projects Unit has reviewed the information provided and finds no technical reason to deny this application.

Based on information shown on the application, the Office of Emergency Services, Public Safety Communications technically approves this application. If at any time interference becomes a problem, it will be the responsibility of the El Dorado County Sheriff's Office to resolve.

Please contact Keith Estes, Senior Telecommunications Engineer at (916) 894-5228 or by email at keith.estes@caloes.ca.gov if you have any questions.

Attachments

cc: Brian Kunz, Senior Telecommunications Engineer, Natural Resources Agency Unit
Art Alto, Area 35 Maintenance Supervisor, PSC
Sarah Best, Associate Governmental Program Analyst, CDF



STATE OF CALIFORNIA
CALIFORNIA GOVERNORS OFFICE OF EMERGENCY SERVICES
**CalFIRE RADIO VAULT SPACE APPLICATION NON-STATE
USERS**
OES-PSC 312 (Rev. 05/2024)



Print Form **Reset Form**
LOGISTICS MANAGEMENT
PUBLIC SAFETY COMMUNICATIONS

APPLICATION SHEETS

The Application Sheets are used to gather the appropriate administrative information to process the OES-PSC-312. These sheets must be completed, signed, and accompanied with the Technical Data Sheets.

Applicant: El Dorado County Sheriff's Office
(organization name)
200 Industrial Drive
(address)
Placerville, CA 95667
(city, state, zip)
(530) 642-4990
(telephone number)
fcc@edso.org or mitchelg@edso.org
(email address)

In accordance with the attached Technical Data Sheet(s), the application is hereby made to:

- Establish New Lease
- Modify Lease - describe specific changes below
- Renew lease - with modification as stated below
- Renew lease (no changes, technical sheets must be completed)
- Lease square feet _____

Description of request Add three 2' microwave radio/dish combo to the tower

Provide the site name and vault space: Pine Hill Current Lease is L-1810

Power requirements for operations of communications equipment are:

- Commercial and emergency power
- Commercial power only
- No power required

NOTE: Some radio vault facilities provide commercial and emergency power to each rack space without exception, and the tenant will be charged accordingly



STATE OF CALIFORNIA
CALIFORNIA GOVERNORS OFFICE OF EMERGENCY SERVICES
**CalFIRE RADIO VAULT SPACE APPLICATION NON-STATE
USERS**
OES-PSC-312 (Rev. 05/2024)



LOGISTICS MANAGEMENT
PUBLIC SAFETY COMMUNICATIONS

Person responsible for lease negotiations and submission of this application:

Name Monica Ferguson
Address 200 Industrial Drive
City, State, and Zip Placerville, CA 95667
Telephone Number (530) 621-7613
Email Address fergusonm@edso.org

Billing Information:

Name El Dorado County Sheriff - Fiscal
Address 200 Industrial Drive
City, State, and Zip Placerville, CA 95667
Telephone Number _____
Email Address accountspayable@edso.org

It is understood that if any subsequent on-site testing is required, it will be charged to the lessee at the current rate determined by the State. In addition, any required engineering or technician labor charges or parts procurement expenses, plus a program management fee, will be re-billed to the lessee at the current rates being charged by the State. Prior to these charges being incurred, a written estimate and acceptance document will be forwarded to the applicant for review and signature.

Applicant: El Dorado County Sheriff's Office
By: Gary Mitchell
Title: Radio Maintenance Technician
Date: September 24, 2024

Receipt of a non-refundable \$5,000 application fee in the amount is hereby acknowledged. _____

STATE OF CALIFORNIA _____
By: _____
Date: _____

NOTE: A fee will be required when this agreement is renewed for a new term or when changes are made to an existing agreement and the preparation of a new lease agreement is required.



STATE OF CALIFORNIA
 CALIFORNIA GOVERNORS OFFICE OF EMERGENCY SERVICES
**CalFIRE RADIO VAULT SPACE APPLICATION NON-STATE
 USERS**
 OES-PSC-312 (Rev. 05/2024)



LOGISTICS MANAGEMENT
 PUBLIC SAFETY COMMUNICATIONS

ANTENNA DATA

New Tenant: Provide data for each antenna to be installed at this vault facility and identify as **New (N)**.

Existing Tenant: Provide data for each antenna currently installed and identify as **Existing (E)**. If adding or removing an antenna; identify the appropriate action **New (N)**, **Removing (R)**.

46

| Antenna Number | Make and Model | Length or M/W dish size | Gain (dBd) (dBi for M/W) | Azimuth (relative to true north) | *Height desired (feet) | Existing (E) Removing (R) New (N) |
|----------------|--------------------|-------------------------|--------------------------|----------------------------------|------------------------|-----------------------------------|
| 1 | Comscope VHLP-11W/ | .6m / 2ft | 35.dbi | 230 | 50' | N |
| 2 | Comscope VHLP-11W/ | .6m / 2ft | 35.dbi | 90 | 54' | N |
| 3 | Comscope VHLP-11W/ | .6m / 2ft | 35.dbi | 99 | 57' | N |
| 4 | | | | | | |
| 5 | | | | | | |
| 6 | | | | | | |
| 7 | | | | | | |

27
21
9
4

* For VHF antennas, show desired height to base of antenna support. For microwave dishes, show desired height to center of radiating element.

AUXILIARY EQUIPMENT DATA

For each transmitter, receiver, or combination, supply the following:



STATE OF CALIFORNIA
CALIFORNIA GOVERNORS OFFICE OF EMERGENCY SERVICES
**CalFIRE RADIO VAULT SPACE APPLICATION NON-STATE
USERS**
OES-PSC-312 (Rev. 05/2024)



LOGISTICS MANAGEMENT
PUBLIC SAFETY COMMUNICATIONS

SYSTEM BLOCK DIAGRAM:

Please provide a block diagram of the proposed installation at this radio vault facility. Be sure to include all elements of the system, including transmitters, receivers, power sources, antennas, protective devices, telephone lines, multiplex circuits, etc. Use additional sheets if necessary. Refer to the attached example if desired. Please be sure to label the operating frequency of each piece of equipment in the system, as appropriate.

Insert block diagram

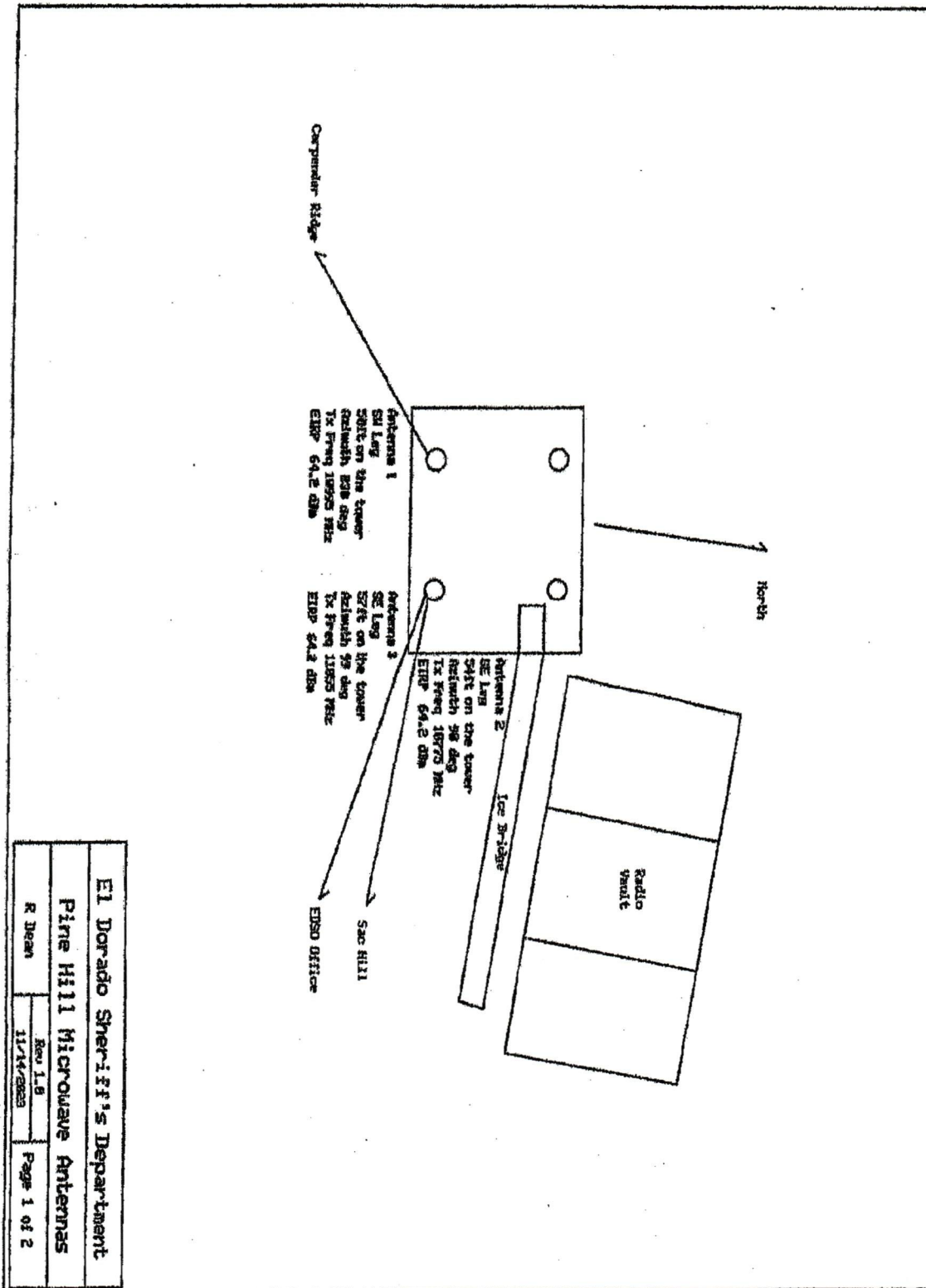


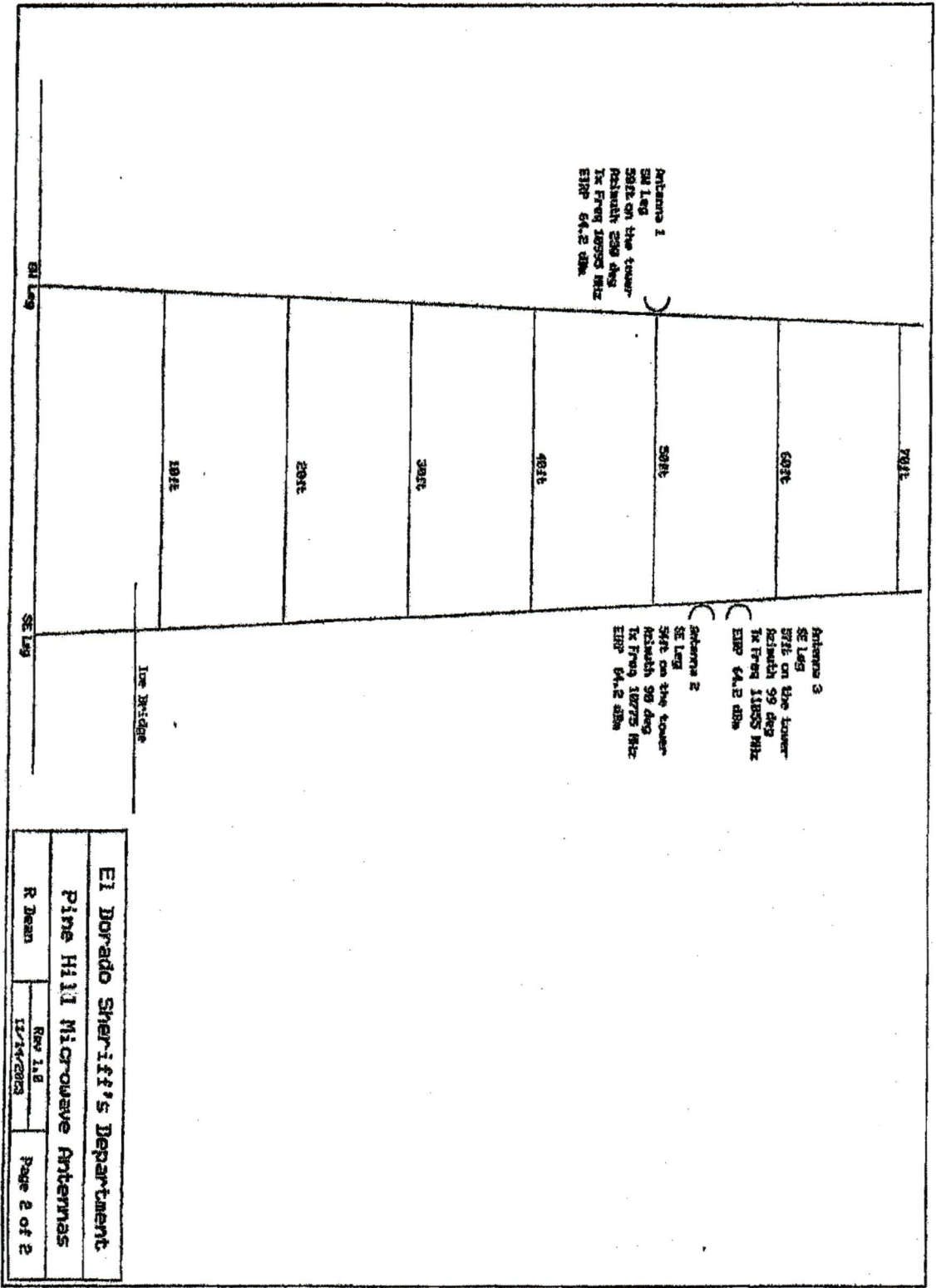
STATE OF CALIFORNIA
CALIFORNIA GOVERNORS OFFICE OF EMERGENCY SERVICES
**CalFIRE RADIO VAULT SPACE APPLICATION NON-STATE
USERS**
OES-PSC-312 (Rev. 05/2024)



LOGISTICS MANAGEMENT
PUBLIC SAFETY COMMUNICATIONS

This Page Intentional Left Blank





REFERENCE COPY

This is not an official FCC license. It is a record of public information contained in the FCC's licensing database on the date that this reference copy was generated. In cases where FCC rules require the presentation, posting, or display of an FCC license, this document may not be used in place of an official FCC license.



Federal Communications Commission

Public Safety and Homeland Security Bureau

RADIO STATION AUTHORIZATION

LICENSEE: El Dorado, County of

ATTN: COMMUNICATIONS DEPARTMENT
 EL DORADO, COUNTY OF
 200 INDUSTRIAL DR
 PLACERVILLE, CA 95667

| | |
|--|----------------------|
| Call Sign WRZH401 | |
| File Number 0010740094 | |
| Radio Service MW - Microwave Public Safety Pool | |
| SMSA | Station Class FXO |

FCC Registration Number (FRN): 0022299101

| | | | |
|--------------------------|------------------------------|-------------------------------|--------------------------|
| Grant Date 11-01-2023 | Effective Date 11-01-2023 | Expiration Date 11-01-2033 | Print Date 11-02-2023 |
|--------------------------|------------------------------|-------------------------------|--------------------------|

LOCATION

Fixed Location Address or Area of Operation:
 1996 Caversham Way
 City: Folsom County: SACRAMENTO State: CA

| Loc No. | Location Name | Latitude | Longitude | Elevation | Antenna Structure Registration No. |
|---------|-----------------|--------------|---------------|-----------|------------------------------------|
| 001 | CARPENTER RIDGE | 38-38-57.0 N | 121-05-58.2 W | 252.0 | |
| 002 | PINE HILL | 38-43-09.6 N | 120-59-25.8 W | 622.0 | |

FREQUENCY PATHS

| Frequency (MHz) | Tot (%) | Emission Desig | EIRP (dBm) | Constr Date | Path No | Seg | Emit Loc No | Ant Hgt (m) | Gain (dBi) | Beam (deg) | Roll (deg) | Pol | AZIM (deg) | Rec Loc No | Rec Call Sign |
|-----------------|---------|----------------|------------|-------------|---------|-----|-------------|-------------|------------|------------|------------|------|------------|------------|---------------|
| 11485.0 | 0.00050 | 80MOD7W | 64.200 | 05-01-2025 | 001 | 1 | 001 | 8.2 | 34.7 | 3.3 | V | 50.6 | 002 | | |
| 11485.0 | 0.00050 | 80MOD7W | 60.700 | 05-01-2025 | 001 | 1 | 001 | 8.2 | 34.7 | 3.3 | V | 50.6 | 002 | | |
| 11485.0 | 0.00050 | 80MOD7W | 61.700 | 05-01-2025 | 001 | 1 | 001 | 8.2 | 34.7 | 3.3 | V | 50.6 | 002 | | |
| 11485.0 | 0.00050 | 80MOD7W | 62.700 | 05-01-2025 | 001 | 1 | 001 | 8.2 | 34.7 | 3.3 | V | 50.6 | 002 | | |
| 11485.0 | 0.00050 | 80MOD7W | 63.700 | 05-01-2025 | 001 | 1 | 001 | 8.2 | 34.7 | 3.3 | V | 50.6 | 002 | | |
| 11485.0 | 0.00050 | 80MOD7W | 64.200 | 05-01-2025 | 001 | 1 | 001 | 8.2 | 34.7 | 3.3 | V | 50.6 | 002 | | |
| 11485.0 | 0.00050 | 80MOD7W | 64.200 | 05-01-2025 | 001 | 1 | 001 | 8.2 | 34.7 | 3.3 | V | 50.6 | 002 | | |

Conditions:

Pursuant to §309(h) of the Communications Act of 1934, as amended, 47 U.S.C. §309(h), this license is subject to the following conditions: This license shall not vest in the licensee any right to operate the station nor any right in the use of the frequencies designated in the license beyond the term thereof nor in any other manner than authorized herein. Neither the license nor the right granted thereunder shall be assigned or otherwise transferred in violation of the Communications Act of 1934, as amended. See 47 U.S.C. § 310(d). This license is subject in terms to the right of use or control conferred by §706 of the Communications Act of 1934, as amended. See 47 U.S.C. §606.

REFERENCE COPY

This is not an official FCC license. It is a record of public information contained in the FCC's licensing database on the date that this reference copy was generated. In cases where FCC rules require the presentation, posting, or display of an FCC license, this document may not be used in place of an official FCC license.



Federal Communications Commission
Public Safety and Homeland Security Bureau

RADIO STATION AUTHORIZATION

LICENSER: El Dorado, County of

ATTN: COMMUNICATIONS DEPARTMENT
EL DORADO, COUNTY OF
200 INDUSTRIAL DR
PLACERVILLE, CA 95667

| | |
|--|----------------------|
| Call Sign WRZH403 | |
| File Number 0010740086 | |
| Radio Service MW - Microwave Public Safety Pool | |
| SMSA | Station Class FXO |

FCC Registration Number (FRN): 6022299101

| | | | |
|--------------------------|------------------------------|-------------------------------|--------------------------|
| Grant Date 11-01-2023 | Effective Date 11-01-2023 | Expiration Date 11-01-2033 | Print Date 11-02-2023 |
|--------------------------|------------------------------|-------------------------------|--------------------------|

LOCATION

Fixed Location Address or Area of Operations:
Pine Hill, End of Pine Hill Road (Pine Hill 1,T3 #008647--CAN)
City: Rescue County: EL DORADO State: CA

| Loc No. | Location Name | Latitude | Longitude | Elevation | Antenna Structure Registration No. |
|---------|-----------------|--------------|---------------|-----------|------------------------------------|
| 001 | PINE HILL | 38-43-09.6 N | 120-59-25.8 W | 622.7 | 1036563 |
| 002 | CARPENTER RIDGE | 38-38-57.0 N | 121-05-58.2 W | 252.0 | |
| 003 | SHERIFFS OFFICE | 38-41-53.1 N | 120-49-42.9 W | 547.5 | |
| 004 | SACRAMENTO H | 38-43-07.2 N | 120-47-44.0 W | 687.5 | |

FREQUENCY PATHS

| Frequency (MHz) | Tot (%) | Emission Desig | EIRP (dBm) | Constr Date | Path No | Seg No | Emitt Loc No | Ant Hgt (m) | Gain (dBi) | Beam Reflector Ht(m)xWd(m) | FOV(deg) | AZIM(deg) | Rec Loc No | Res Call Sign |
|-----------------|---------|----------------|------------|-------------|---------|--------|--------------|-------------|------------|----------------------------|----------|-----------|------------|---------------|
| 10995.0 | 0.00050 | 80M0D7W | 60.700 | 05-01-2025 | 001 | 1 | 001 | 15.2 | 34.7 | 3.3 | V | 230.6 | 002 | |
| 10995.0 | 0.00050 | 80M0D7W | 61.700 | 05-01-2025 | 001 | 1 | 001 | 15.2 | 34.7 | 3.3 | V | 230.6 | 002 | |
| 10995.0 | 0.00050 | 80M0D7W | 62.700 | 05-01-2025 | 001 | 1 | 001 | 15.2 | 34.7 | 3.3 | V | 230.6 | 002 | |
| 10995.0 | 0.00050 | 80M0D7W | 63.700 | 05-01-2025 | 001 | 1 | 001 | 15.2 | 34.7 | 3.3 | V | 230.6 | 002 | |
| 10995.0 | 0.00050 | 80M0D7W | 64.200 | 05-01-2025 | 001 | 1 | 001 | 15.2 | 34.7 | 3.3 | V | 230.6 | 002 | |

Conditions:

Pursuant to §309(h) of the Communications Act of 1934, as amended, 47 U.S.C. §309(h), this license is subject to the following conditions: This license shall not vest in the licensee any right to operate the station nor any right in the use of the frequencies designated in the license beyond the term thereof nor in any other manner than authorized herein. Neither the license nor the right granted thereunder shall be assigned or otherwise transferred in violation of the Communications Act of 1934, as amended. See 47 U.S.C. § 310(d). This license is subject in terms to the right of use or control conferred by §706 of the Communications Act of 1934, as amended. See 47 U.S.C. §606.

Licensee Name: EL DORADO, COUNTY OF

Call Sign: WRZH40

File Number: 0010740086

Print Date: 11-02-2023

| Frequency (MHz) | Tot (%) | ERP Constr (dBm) Date | Path No | Seg | Emit Loc No | Ant Hgt (m) | Gain (dBi) | Beam (deg) | POL | AZIM (deg) | Rec Loc No | Rec Call Sign |
|-----------------|---------|---------------------------|---------|-----|-------------|-------------|-------------|------------|-----|------------|------------|---------------|
| | | | | | | | Reflector | | | | | |
| | | | | | | | Ht(m)xWd(m) | | | | | |
| 10995.0 | 0.00050 | 80M0B7W 64.200 05-01-2025 | 001 | 1 | 001 | 15.2 | 34.7 | 3.3 | V | 230.6 | 002 | |
| 10995.0 | 0.00050 | 80M0D7W 64.200 05-01-2025 | 001 | 1 | 001 | 15.2 | 34.7 | 3.3 | V | 230.6 | 002 | |
| 10995.0 | 0.00050 | 80M0E7W 64.200 05-01-2025 | 001 | 1 | 001 | 15.2 | 34.7 | 3.3 | V | 230.6 | 002 | |
| 10995.0 | 0.00050 | 80M0F7W 64.200 05-01-2025 | 001 | 1 | 001 | 15.2 | 34.7 | 3.3 | V | 230.6 | 002 | |
| 10995.0 | 0.00050 | 80M0G7W 64.200 05-01-2025 | 001 | 1 | 001 | 15.2 | 34.7 | 3.3 | V | 230.6 | 002 | |
| 11053.0 | 0.00050 | 40M0D7W 64.200 05-01-2025 | 002 | 1 | 001 | 17.4 | 34.7 | 3.3 | V | 99.5 | 003 | WRD1867 |
| 11053.0 | 0.00050 | 40M0E7W 64.200 05-01-2025 | 002 | 1 | 001 | 17.4 | 34.7 | 3.3 | V | 99.5 | 003 | WRD1867 |
| 11053.0 | 0.00050 | 40M0F7W 64.200 05-01-2025 | 002 | 1 | 001 | 17.4 | 34.7 | 3.3 | V | 99.5 | 003 | WRD1867 |
| 11053.0 | 0.00050 | 40M0G7W 64.200 05-01-2025 | 002 | 1 | 001 | 17.4 | 34.7 | 3.3 | V | 99.5 | 003 | WRD1867 |
| 11055.0 | 0.00050 | 40M0D7W 64.200 05-01-2025 | 002 | 1 | 001 | 17.4 | 34.7 | 3.3 | V | 99.5 | 003 | WRD1867 |
| 11055.0 | 0.00050 | 40M0E7W 64.200 05-01-2025 | 002 | 1 | 001 | 17.4 | 34.7 | 3.3 | V | 99.5 | 003 | WRD1867 |
| 11055.0 | 0.00050 | 40M0F7W 64.200 05-01-2025 | 002 | 1 | 001 | 17.4 | 34.7 | 3.3 | V | 99.5 | 003 | WRD1867 |
| 11055.0 | 0.00050 | 40M0G7W 64.200 05-01-2025 | 002 | 1 | 001 | 17.4 | 34.7 | 3.3 | V | 99.5 | 003 | WRD1867 |
| 10775.0 | 0.00050 | 40M0D7W 64.500 05-01-2025 | 003 | 1 | 001 | 16.5 | 38.5 | 2.0 | V | 90.2 | 004 | WRD1866 |
| 10775.0 | 0.00050 | 40M0E7W 65.500 05-01-2025 | 003 | 1 | 001 | 16.5 | 38.5 | 2.0 | V | 90.2 | 004 | WRD1866 |
| 10775.0 | 0.00050 | 40M0F7W 66.500 05-01-2025 | 003 | 1 | 001 | 16.5 | 38.5 | 2.0 | V | 90.2 | 004 | WRD1866 |
| 10775.0 | 0.00050 | 40M0G7W 67.500 05-01-2025 | 003 | 1 | 001 | 16.5 | 38.5 | 2.0 | V | 90.2 | 004 | WRD1866 |
| 10775.0 | 0.00050 | 40M0D7W 68.000 05-01-2025 | 003 | 1 | 001 | 16.5 | 38.5 | 2.0 | V | 90.2 | 004 | WRD1866 |
| 10775.0 | 0.00050 | 40M0E7W 68.000 05-01-2025 | 003 | 1 | 001 | 16.5 | 38.5 | 2.0 | V | 90.2 | 004 | WRD1866 |
| 10775.0 | 0.00050 | 40M0F7W 68.000 05-01-2025 | 003 | 1 | 001 | 16.5 | 38.5 | 2.0 | V | 90.2 | 004 | WRD1866 |
| 10775.0 | 0.00050 | 40M0G7W 68.000 05-01-2025 | 003 | 1 | 001 | 16.5 | 38.5 | 2.0 | V | 90.2 | 004 | WRD1866 |

Waivers/Conditions:

NONE

COPY



STATE OF CALIFORNIA
CALIFORNIA GOVERNORS OFFICE OF EMERGENCY SERVICES
**CalFIRE RADIO VAULT SPACE APPLICATION NON-STATE
USERS**
OES-PSC-312 (Rev. 05/2024)



LOGISTICS MANAGEMENT
PUBLIC SAFETY COMMUNICATIONS

GENERAL INFORMATION

The State of California operates telecommunications facilities at numerous mountaintop locations throughout the State. These facilities were developed for use by State agencies requiring radio communications.

Space at these facilities is made available to other than State of California users when it is surplus to the State's requirements. As the space is limited, State of California agencies are always given first priority. Non-state applicants will be considered in the following order:

1. Federal government agencies
2. Local government agencies
3. Public utilities
4. Private sector entities

In making space available, the State of California attempts to recover its operating, maintenance, and management costs. Users are not guaranteed that State facilities will be accessible or operable at all times. Leases are generally issued for five-year periods; in some circumstances, the lease period may vary. Leases will be considered for renewal at the end of their term, subject to the space requirements of the State of California.

The rates charged for occupancy of radio vaults controlled by the California Department of Forestry and Fire Protection (Cal Fire) will be negotiated for this lease. Applications shall be directed to the following address:

California Department of Forestry and Fire Protection
Technical Services Office
Towers & Vaults Unit
PO Box 944246
Sacramento, CA 94244-2460

The State must review, manage and engineer any proposed installation. In so doing, the potential tenant will be required to pay a non-refundable application fee when this formal application for access to a Cal Fire controlled vault is submitted. The application fee of \$5,000.00 must accompany this application when submitted to Cal Fire for review. Make the check payable to the "State of California, Department of Forestry and Fire Protection".

Once a new application has been received by Cal Fire Headquarters, it will be logged in for processing and will be prioritized based upon workload guidelines shown in paragraph two above. The OES-PSC-312 will be forwarded to the local ranger unit staff for evaluation. If it is felt to be appropriate, it will continue in its processing; if it is deemed inappropriate, either due to no space being available or due to the negative impact that the installation would have on Cal Fire operations, the application will be returned without further action.

As a part of this process, the OES-PSC-312 will be forwarded to the Cal OES - Governor's Office of Emergency Services (OES), Public Safety Communications (PSC) for technical review. A study will be performed to determine the impact of the application on the existing users at the site, and specific recommendations will be made. In cooperation with the applicant, the State will attempt to meet all users' operational requirements; however, if serious technical difficulties are found, this will result in the cancellation of the OES-PSC-312.



STATE OF CALIFORNIA
CALIFORNIA GOVERNORS OFFICE OF EMERGENCY SERVICES
**CalFire RADIO VAULT SPACE APPLICATION NON-STATE
USERS**
OES-PSC-312 (Rev. 05/2024)



LOGISTICS MANAGEMENT
PUBLIC SAFETY COMMUNICATIONS

Any subsequent time required for site engineering, antenna or combining system upgrades, or technician labor will be borne by the applicant at the current rate. The applicant will be notified by the Department of General Services (DGS), Real Estate Service Division (RESD) of the amount due prior to occupancy of the vault. No further processing of the application will take place until a written approval of these expenses, as well as a commitment to pay, is received from the applicant by RESD. **NOTE:** Modification of site-master antenna or combining systems may **NOT** be done by a tenant. Such modifications must be designed by OES-PSC engineering and installed by OES-PSC approved technician resources.

A fee will be required when this agreement is submitted for renewal, or when changes are made to an existing agreement and the preparation of a new agreement is necessary. **NOTE:** The addition or deletion of any transmitting or receiving frequencies, antennas or equipment is cause for submitting a new form OES-PSC-312. Paperwork must be submitted to and approved by Cal Fire prior to the proposed changes taking place in the facility.

It shall be understood by all applicants that the State is **NOT** obligated to upgrade any facility to accommodate any lessee. Any improvement required prior to the entry shall be the sole financial responsibility of the lessee. The lessee shall be notified in writing of the upgrades required to accommodate their installation, and payment for these upgrades must be arranged prior to the installation of any such equipment. Any said improvements, including the installation or modification of site-master antenna, combining or power systems, shall remain the property of Cal Fire unless otherwise stipulated in the lease. **NOTE:** This excludes the actual radio transmitting and receiving equipment, as well as individual antennas installed for the sole use of the lessee and not part of a master-site arrangement.

Please complete, sign, and return the attached "Application" sheets and "Technical Data" sheets to make a formal application. Please note that the information on the "Technical Data" shall reflect what the applicant desires to install at the facility. Upon completion of engineering analysis of the application, the tenant's actual installation requirements may require some design changes to ensure the integrity of the State's telecommunications operational requirements. This required design criteria will be outlined in writing and incorporated as a condition of the lease agreement.

All requested information must be supplied to have this application processed. Failure to do so will result in the application being returned for resubmission, complete with an additional non-refundable application fee. Processing time will also be delayed accordingly.

Please attach separate sheets for any remarks or special comments required.



STATE OF CALIFORNIA
 CALIFORNIA GOVERNORS OFFICE OF EMERGENCY SERVICES
**CalFIRE RADIO VAULT SPACE APPLICATION NON-STATE
 USERS**
 OES-PSC-312 (Rev. 05/2024)



LOGISTICS MANAGEMENT
 PUBLIC SAFETY COMMUNICATIONS

TECHNICAL REQUIREMENTS FOR CAL FIRE-CONTROLLED SITES

The following are the maximum radio frequency power outputs for radio equipment in Cal Fire-controlled facilities:

| RADIO SERVICE | FREQUENCY RANGE | MAXIMUM TRANSMITTER POWER OUTPUT TO ANTENNA |
|--|---|---|
| FM Broadcast | 88-108 MHz | 1000 watts |
| Television Broadcast | 54-72 MHz, 76-88 MHz, 174-216 MHz, 470-698 MHz | 500 watts |
| AM Broadcast | 535-1705 kHz | 10 watts |
| VHF Low Band | 28-54 MHz | 120 watts |
| VHF Mid Band | 72-76 MHz | 50 watts |
| VHF High Band and UHF | 136-512 MHz | 150 watts |
| 700/800/900 Band | 698-952 MHz | 125 watts |
| Point to Point Microwave | 952-960 MHz | 20 watts |
| Point to Point Microwave | 1700-2600 MHz | 10 watts |
| Licensed wireless and mobile telephone | 1805-2690 MHz | 50 watts |
| Point to Point Microwave | 2.6-40 GHz | 3 watts |

The following additional standards must be adhered to for any installation at a Cal Fire-controlled site:

1. A copy of the FCC license or NTIA authorization, or an approved and completed "FCC ID tag", along with the name and phone number of the person responsible must be posted on each transmitter.
2. Control stations and "inverted pairs" on FCC-designated repeater channels will generally not be allowed at a site.
3. Only transmitters authorized by the FCC for that service, designed for use in a high RF, multi user environment will be allowed to be installed at a site. All equipment shall be installed and operated in accordance with the site lessor's authorization and approval.
4. Transmitters and receivers will be combined and/or multi-coupled to the maximum extent possible, consistent with the specific system performance requirements of the lessee. A one-time "site assessment" cost may be incurred.
5. All systems NOT connected to the lessor's combining network must be installed to comply with site standards, require lessor's prior engineering approval and meet the following minimum requirements:



- a) Each transmitter shall have a protective isolator, harmonic filter, and band-pass cavity (BPC) which meets the minimum attenuation levels listed in Table I. The isolator and harmonic filter shall precede the BPC in the transmit path;
- b) Pass/Reject or notch-type duplexers must include a BPC meeting the requirements in Table I in the transmit leg prior to the duplexer input port;
- c) Additional filters, BPC's, isolators and other hardware may be required at the lessee's expense to correct site problems as a result of the lessee's installation;
- d) RF cabling between pieces of equipment within a rack shall be of double-shielded or solid outer conductor variety, such as RG-214, RG-142 or RG-400 cables. NOTE: In general, cabling supplied within a manufacturer's piece of equipment is sufficient to meet this requirement. In some circumstances, however, it may become necessary to modify the equipment to meet the special needs of the site;
- e) RF cabling between racks of equipment in a vault, including cables to and from combining equipment and antenna feed-through ports, shall be of the solid outer conductor variety. In general, all receive lines within the vault shall be 1/4" or 1/2" diameter, such as Andrew FSJ1-50B, FSJ4-50B or equivalent; all transmit lines within the vault shall be 1/2" diameter, such as Andrew FSJ4-50B or equivalent. All feedlines outside the vault, such as between the antenna pigtail and the lightning arrestor plate, shall be at least 1/2" diameter solid-shield cable equivalent to Andrews LDF4-50A HELIAX;
- f) RF connectors on transmit cables shall be Type "N" wherever possible unless the particular piece of manufacturer's equipment has another type of connector installed. RF connectors on receive cables MAY be Type "BNC", although Type "N" is highly recommended. Again, if the manufacturer's equipment has another type of connector installed, this type of connector is acceptable for that junction;
- g) Tiewraps designed for external use, such as the Panduit "76" series TEFZEL cable tie, or another insulated clamp or strap shall be used to secure transmission lines to towers and/or cable ladders. Rubber "donut"-type hangers such as those manufactured by Microflex are also acceptable to be used to secure transmission lines. **Metal clamps, "wraplock", "Band-It" ties, or similar metal strapping for attaching feedlines to a mounting structure is prohibited at Cal Fire facilities.** If the facility has a wood-pole structure for mounting antennas, the use of utility pipe clamps or conduit clamps is permitted for fastening the feedline to the structure;
- h) Cal Fire telecommunications facilities are generally designed to accommodate equipment housed in 7'6" tall open frame relay racks, such as the Chatsworth model 46050-505 rack. Racks shall be fastened to the floor with an approved anchor, and connected to an overhead cable tray via an approved method, such as via a length of Chatsworth 11450-001 framing channel and using "J-bolt" kits. A rack elevation diagram is attached to illustrate how equipment will be housed in the 7'6" rack. Complete/return this diagram with the application form;
- i) Most Cal Fire telecommunications sites have extensive lightning and surge protection systems installed, including lightning arrestor mounting panels. All transmission lines must enter and exit the vault via one of these entry panels using the approved method outlined in the technical requirements of the lease document;



STATE OF CALIFORNIA
 CALIFORNIA GOVERNORS OFFICE OF EMERGENCY SERVICES
**CalFire RADIO VAULT SPACE APPLICATION NON-STATE
 USERS**
 OES-PSC-312 (Rev. 05/2024)

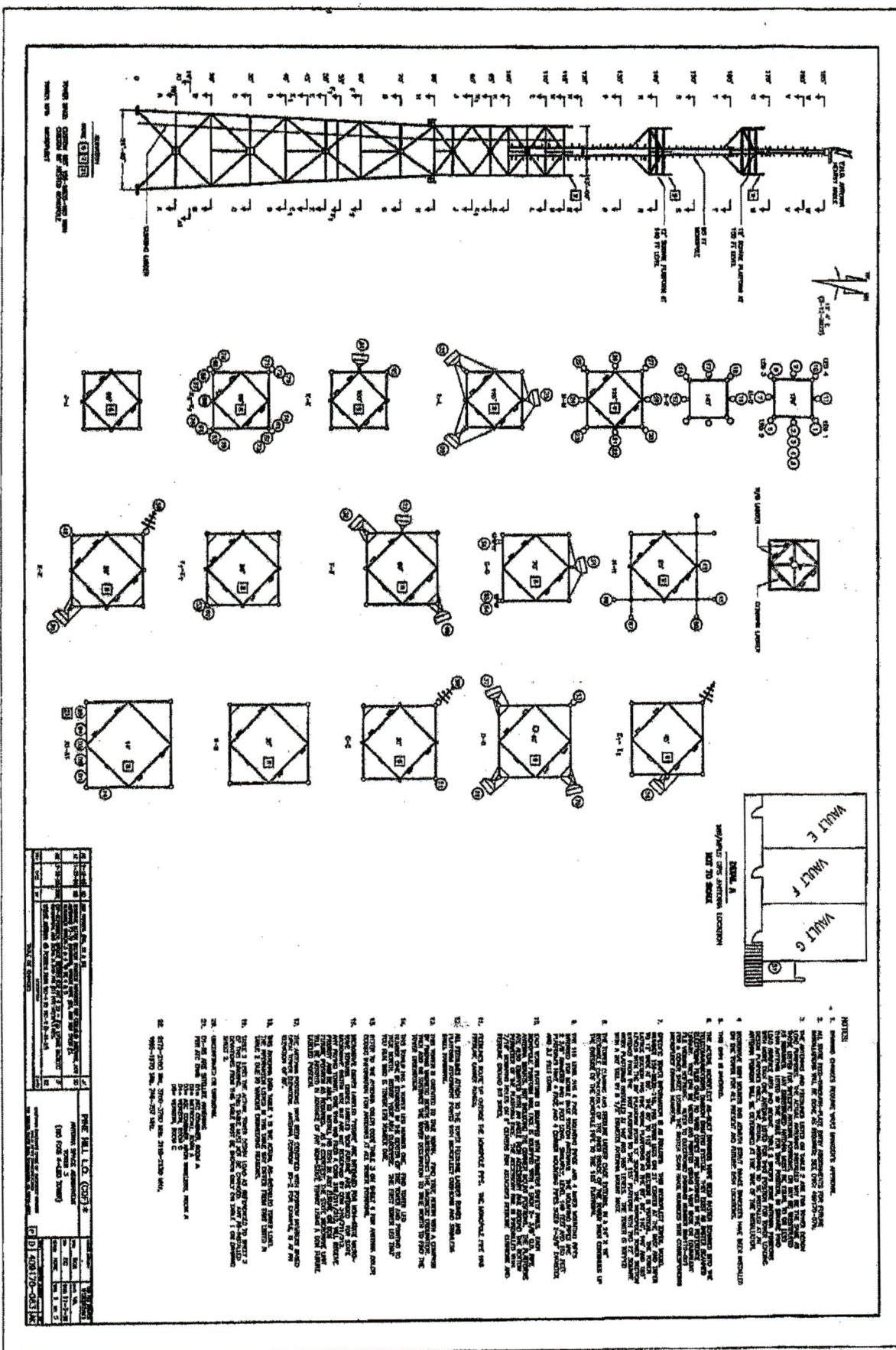


LOGISTICS MANAGEMENT
 PUBLIC SAFETY COMMUNICATIONS

- j) All equipment installed in a Cal Fire telecommunication site must be connected to the site's ground system. Generally, a ground pigtail will be supplied in the cable tray above the equipment rack. All connections to the ground system must be made via compression fittings or bolted joints. "Split-bolt" connectors are unacceptable as junctions;
- k) All antenna mounts shall be hot-dip-galvanized, and all mounting hardware shall be either hot-dip-galvanized or stainless-steel. Electro-galvanized or plated material for mounting of antennas is not permissible. The use of aluminum for mounting cross-arms or cross-over plates is allowed. At sites where wood pole structures are used, it is not permitted to drill holes through the poles to mount antennas or cross-arms. The only acceptable method of mounting an antenna to such a structure is via a "collar" that clamps around the entire circumference of the pole, sandwiching the pole inside. Such a collar must also be hot-dip-galvanized in construction and use galvanized or stainless-steel hardware.

TABLE ONE

| FREQUENCY BAND | ISOLATOR REVERSE ISOLATION | BPC ATTENUATION AT FREQUENCY FROM CARRIER |
|----------------|----------------------------|---|
| 28-54 MHz | 15 dB | 20 dB at 600 kHz |
| 72-76 MHz | 25 dB | 20 dB at 600 kHz |
| 136-174 MHz | 25 dB | 30 dB at 2 MHz |
| 406-512 MHz | 25 dB | 15 dB at 2 MHz |
| 698-960 MHz | 25 dB | 20 dB at 10 MHz |



| PROJECT INFORMATION | | DRAWING INFORMATION | |
|---------------------|----------------------|---------------------|-----------------|
| PROJECT NO. | 100-1000 | DRAWING NO. | 100-1000-001 |
| PROJECT NAME | NEW YORK STATE TOWER | DATE | 10/1/58 |
| CLIENT | NEW YORK STATE | DESIGNER | PERKINS EASTMAN |
| ARCHITECT | PERKINS EASTMAN | ENGINEER | PERKINS EASTMAN |
| CONTRACT NO. | 100-1000 | SCALE | AS SHOWN |
| CONTRACT DATE | 10/1/58 | PROJECT LOCATION | NEW YORK, N.Y. |
| CONTRACT VALUE | \$1,000,000 | PROJECT STATUS | UNDERWAY |
| CONTRACT TYPE | FIXED PRICE | PROJECT PHASE | DESIGN |
| CONTRACT OWNER | NEW YORK STATE | PROJECT DESCRIPTION | TOWER |
| CONTRACT MANAGER | JOHN J. BROWN | PROJECT CONTACT | JOHN J. BROWN |
| CONTRACT ADDRESS | 100 WALL STREET | PROJECT PHONE | 212-512-1000 |
| CONTRACT CITY | NEW YORK | PROJECT FAX | 212-512-1000 |
| CONTRACT STATE | NEW YORK | PROJECT ZIP | 10038 |
| CONTRACT COUNTRY | USA | PROJECT COMMENTS | |

- NOTES:
1. GENERAL CONTRACTOR SHALL VERIFY ALL DIMENSIONS AND CONDITIONS OF EXISTING STRUCTURE AND RECORD THEM ON SITE.
 2. THE CONTRACTOR SHALL BE RESPONSIBLE FOR OBTAINING ALL NECESSARY PERMITS AND APPROVALS FROM THE APPROPRIATE AGENCIES.
 3. THE CONTRACTOR SHALL MAINTAIN ACCESS TO ALL ADJACENT PROPERTIES AND UTILITIES AT ALL TIMES.
 4. THE CONTRACTOR SHALL PROTECT ALL EXISTING UTILITIES AND STRUCTURES FROM DAMAGE DURING CONSTRUCTION.
 5. THE CONTRACTOR SHALL MAINTAIN ADEQUATE SAFETY MEASURES AND BARRIERS AROUND THE CONSTRUCTION SITE.
 6. THE CONTRACTOR SHALL BE RESPONSIBLE FOR THE PROTECTION AND PRESERVATION OF ALL HISTORIC AND CULTURAL RESOURCES.
 7. THE CONTRACTOR SHALL MAINTAIN ADEQUATE RECORDS OF ALL CONSTRUCTION ACTIVITIES AND MATERIALS USED.
 8. THE CONTRACTOR SHALL BE RESPONSIBLE FOR THE PROTECTION AND PRESERVATION OF ALL ADJACENT PROPERTIES AND UTILITIES AT ALL TIMES.
 9. THE CONTRACTOR SHALL MAINTAIN ADEQUATE SAFETY MEASURES AND BARRIERS AROUND THE CONSTRUCTION SITE.
 10. THE CONTRACTOR SHALL PROTECT ALL EXISTING UTILITIES AND STRUCTURES FROM DAMAGE DURING CONSTRUCTION.
 11. THE CONTRACTOR SHALL MAINTAIN ADEQUATE SAFETY MEASURES AND BARRIERS AROUND THE CONSTRUCTION SITE.
 12. THE CONTRACTOR SHALL PROTECT ALL EXISTING UTILITIES AND STRUCTURES FROM DAMAGE DURING CONSTRUCTION.
 13. THE CONTRACTOR SHALL MAINTAIN ADEQUATE SAFETY MEASURES AND BARRIERS AROUND THE CONSTRUCTION SITE.
 14. THE CONTRACTOR SHALL PROTECT ALL EXISTING UTILITIES AND STRUCTURES FROM DAMAGE DURING CONSTRUCTION.
 15. THE CONTRACTOR SHALL MAINTAIN ADEQUATE SAFETY MEASURES AND BARRIERS AROUND THE CONSTRUCTION SITE.
 16. THE CONTRACTOR SHALL PROTECT ALL EXISTING UTILITIES AND STRUCTURES FROM DAMAGE DURING CONSTRUCTION.
 17. THE CONTRACTOR SHALL MAINTAIN ADEQUATE SAFETY MEASURES AND BARRIERS AROUND THE CONSTRUCTION SITE.
 18. THE CONTRACTOR SHALL PROTECT ALL EXISTING UTILITIES AND STRUCTURES FROM DAMAGE DURING CONSTRUCTION.
 19. THE CONTRACTOR SHALL MAINTAIN ADEQUATE SAFETY MEASURES AND BARRIERS AROUND THE CONSTRUCTION SITE.
 20. THE CONTRACTOR SHALL PROTECT ALL EXISTING UTILITIES AND STRUCTURES FROM DAMAGE DURING CONSTRUCTION.
 21. THE CONTRACTOR SHALL MAINTAIN ADEQUATE SAFETY MEASURES AND BARRIERS AROUND THE CONSTRUCTION SITE.
 22. THE CONTRACTOR SHALL PROTECT ALL EXISTING UTILITIES AND STRUCTURES FROM DAMAGE DURING CONSTRUCTION.

**EXHIBIT C-1 - LEASE PAYMENT SCHEDULE
COMPUTATION OF ANNUAL RENTAL PAYMENTS
Pine Hill - El Dorado County - California**

| <u>TERM OF LEASE</u> | <u>ANNUAL RENTAL PAYMENT</u> | <u>50% Rent for DGS</u> | <u>50% Payment for CAL FIRE</u> |
|----------------------|------------------------------|-------------------------|---------------------------------|
| 3/1/2026 - 6/30/2026 | \$ 216 | \$ 108 | \$ 108 |
| 7/1/2026 - 6/30/2027 | \$ 10,932 | \$ 5,466 | \$ 5,466 |
| 7/1/2027 - 6/30/2028 | \$ 11,260 | \$ 5,630 | \$ 5,630 |
| 7/1/2028 - 6/30/2029 | \$ 11,598 | \$ 5,799 | \$ 5,799 |
| 7/1/2029 - 6/30/2030 | \$ 11,946 | \$ 5,973 | \$ 5,973 |
| 7/1/2030 - 6/30/2031 | \$ 12,304 | \$ 6,152 | \$ 6,152 |
| 7/1/2031 - 6/30/2032 | \$ 12,673 | \$ 6,337 | \$ 6,337 |
| 7/1/2032 - 6/30/2033 | \$ 13,053 | \$ 6,527 | \$ 6,527 |
| 7/1/2033 - 6/30/2034 | \$ 13,445 | \$ 6,722 | \$ 6,722 |
| 7/1/2034 - 6/30/2035 | \$ 13,848 | \$ 6,924 | \$ 6,924 |
| 7/1/2035 - 6/30/2036 | \$ 14,264 | \$ 7,132 | \$ 7,132 |
| 7/1/2036 - 6/30/2037 | \$ 14,692 | \$ 7,346 | \$ 7,346 |
| 7/1/2037 - 6/30/2038 | \$ 15,132 | \$ 7,566 | \$ 7,566 |
| 7/1/2038 - 6/30/2039 | \$ 15,586 | \$ 7,793 | \$ 7,793 |
| 7/1/2039 - 6/30/2040 | \$ 16,054 | \$ 8,027 | \$ 8,027 |
| 7/1/2040 - 6/30/2041 | \$ 16,536 | \$ 8,268 | \$ 8,268 |
| 7/1/2041 - 6/30/2042 | \$ 17,114 | \$ 8,557 | \$ 8,557 |
| 7/1/2042 - 6/30/2043 | \$ 17,713 | \$ 8,857 | \$ 8,857 |
| 7/1/2043 - 6/30/2044 | \$ 18,333 | \$ 9,167 | \$ 9,167 |
| 7/1/2044 - 6/30/2045 | \$ 18,975 | \$ 9,488 | \$ 9,488 |
| 7/1/2045 - 6/30/2046 | \$ 19,639 | \$ 9,820 | \$ 9,820 |
| 7/1/2046 - 6/30/2047 | \$ 20,327 | \$ 10,163 | \$ 10,163 |

Remaining Initial Term 3/1/2026 - 6/30/2032

1st 5 Year Extension Term 7/1/2032 - 6/30/2037

2nd 5 Year Extension Term 7/1/2037 - 6/30/2042

3rd 5 Year Extension Term 7/1/2042 - 6/30/2047