



at&t

# SITE NUMBER: CVL03066

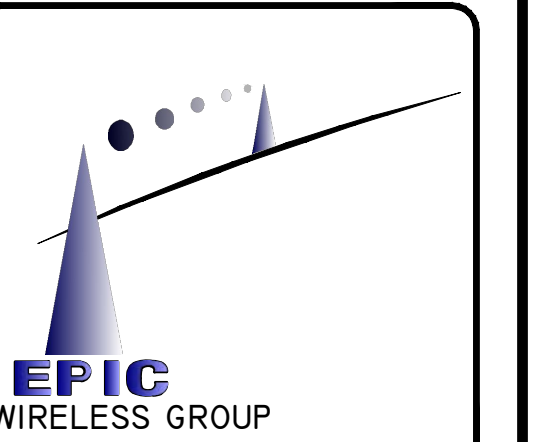
# SITE NAME: GRIZZLY FLATS

5060 SCIARONI RD.  
GRIZZLY FLATS, CA 95363  
JURISDICTION: ELDORADO COUNTY

## SITE TYPE: MONOPINE/SHELTER

Issued For:  
**GRIZZLY FLATS**  
5060 SCIARONI RD.  
GRIZZLY FLATS, CA 95363

PREPARED FOR  
 **at&t**  
2600 Camino Ramon, 4W850 N  
San Ramon, California 94583



AT&T SITE NO: CVL03066  
PROJECT NO: 13787675  
DRAWN BY: CES  
CHECKED BY: CES

REV	DATE	DESCRIPTION
0	04/25/17	ZD 90%
0	04/27/17	ZD 100%

Licensors:

IT IS A VIOLATION OF LAW FOR ANY PERSON, UNLESS THEY ARE ACTING UNDER THE DIRECTION OF A LICENSED PROFESSIONAL ENGINEER, TO ALTER THIS DOCUMENT.

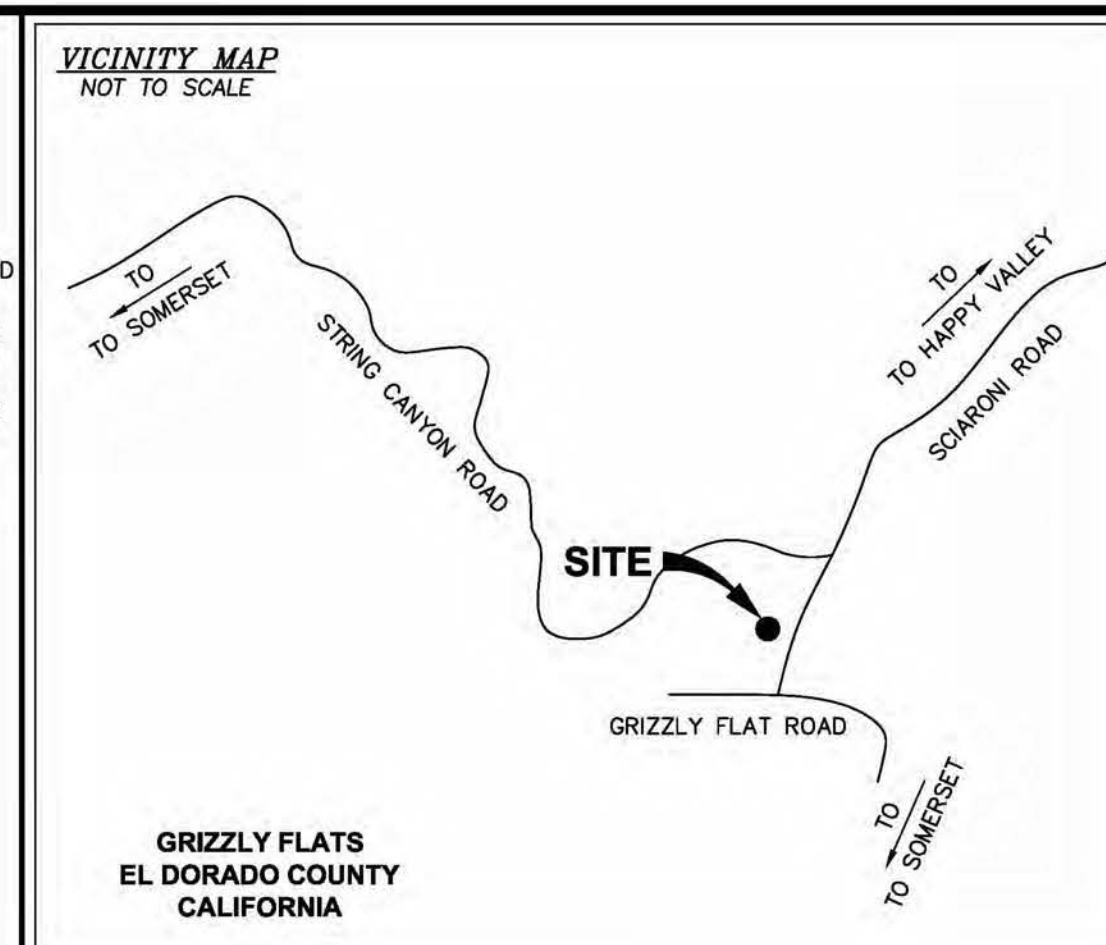
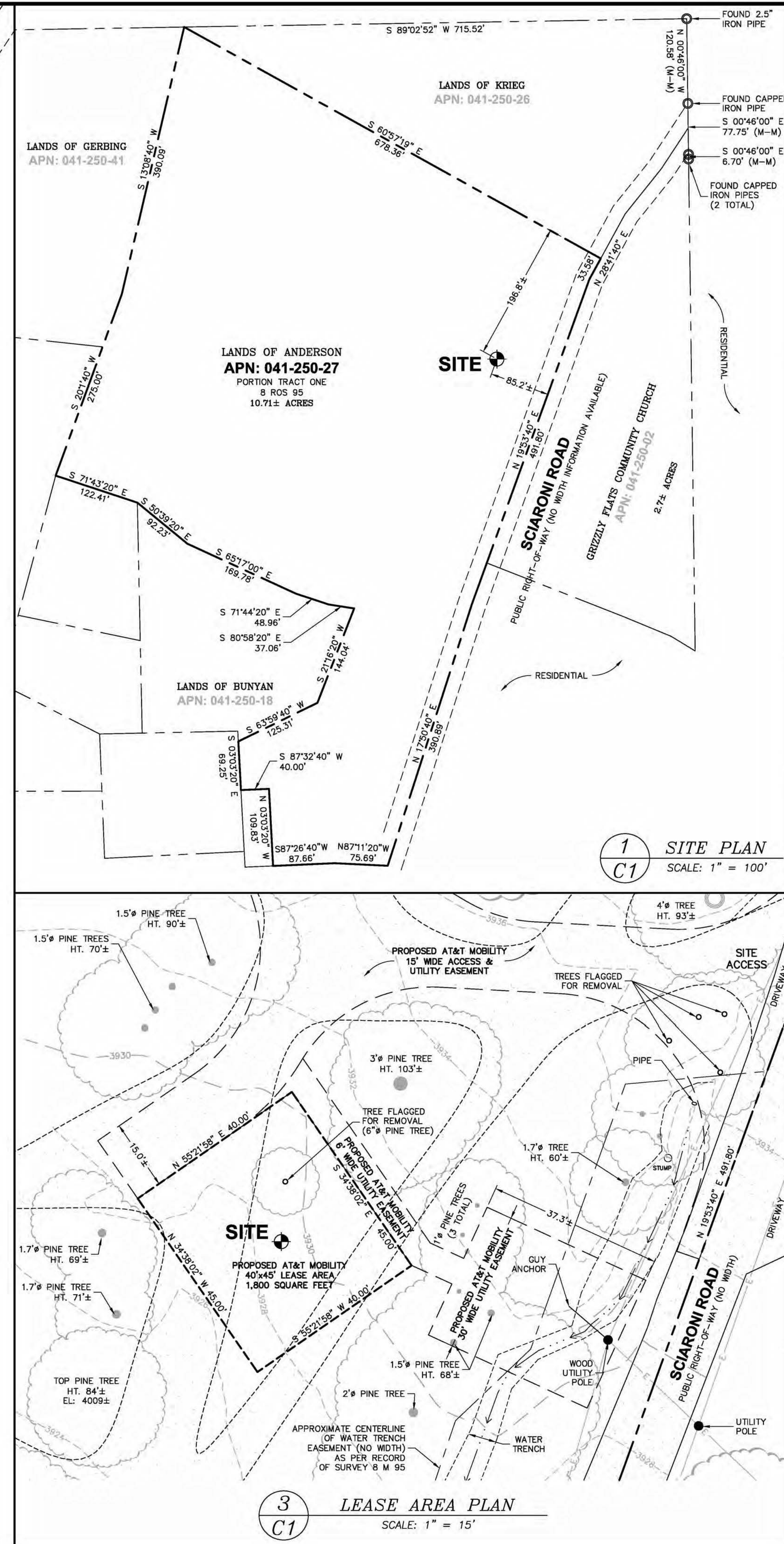
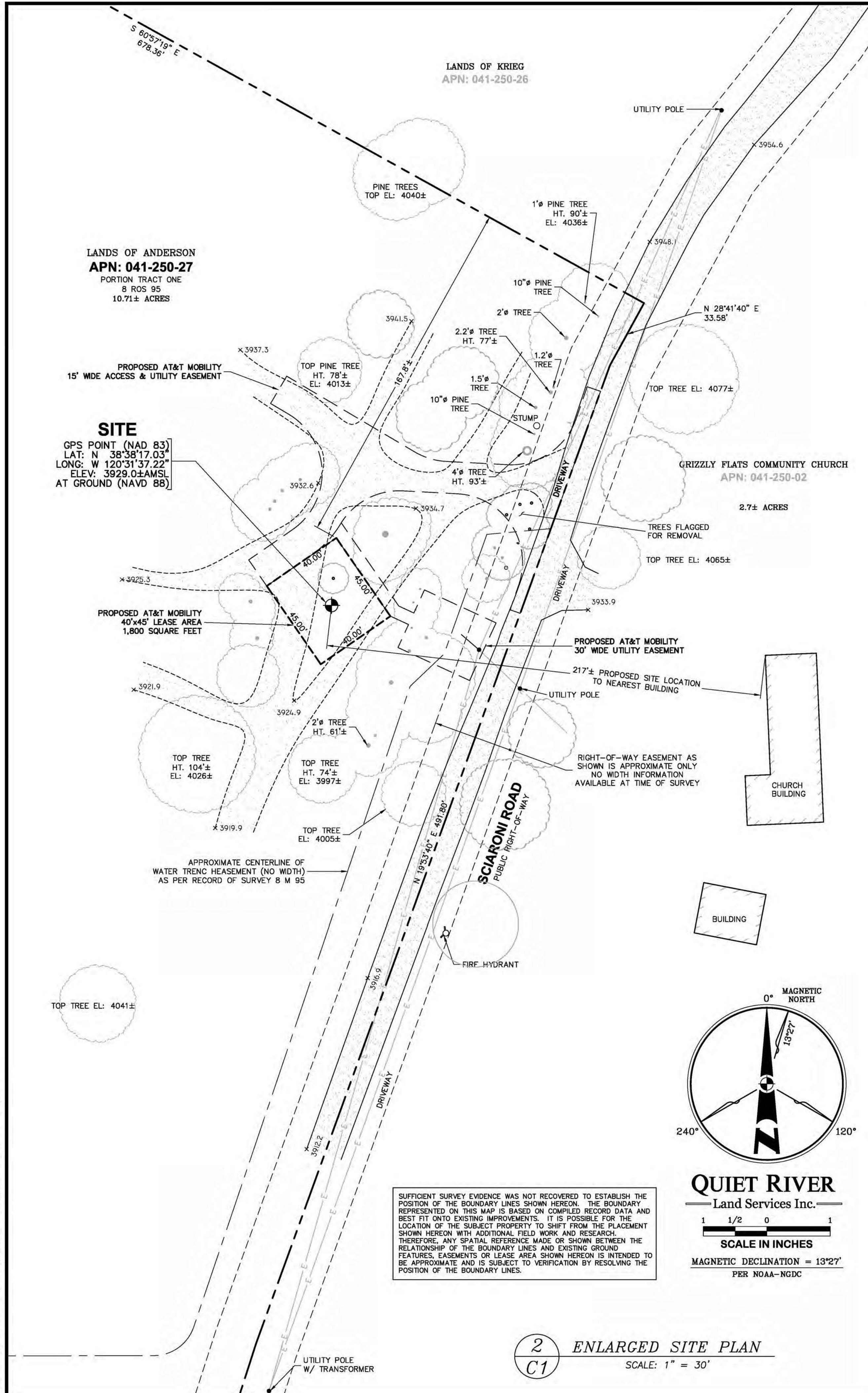
Engineer:  
**ADAPTIVE RE-USE ENGINEERING**  
Craig Horner, PE 84674  
214-407-3184  
3112 LEATHA WAY  
SACRAMENTO, CA 95821  
craigmhorner@yahoo.com

SHEET TITLE:  
**TITLE SHEET**

SHEET NUMBER:  
**T-1**

PROJECT DESCRIPTION	PROJECT INFORMATION	PROJECT TEAM	SHEET INDEX	REV																											
<p><b>NEW SITE BUILD UNMANNED TELECOMMUNICATIONS FACILITY.</b></p> <ol style="list-style-type: none"> <li>BRING POWER / TELCO / FIBER TO SITE LOCATION</li> <li>GRAVEL ROAD IMPROVEMENT FROM ROW</li> <li>40'X45' FENCED LEASE AREA</li> <li>INSTALL AT&amp;T APPROVED PRE-MANUFACTURED EQUIPMENT SHELTER AND ASSOCIATED INTERIOR EQUIPMENT</li> <li>ADD (1) NEW GPS UNITS</li> <li>ADD 160'-0" MONOPINE</li> <li>ADD (12) ANTENNAS (4) PER ALPHA, BETA, GAMMA SECTOR</li> <li>ADD (21) RRUS</li> <li>ADD (4) SURGE SUPPRESSORS</li> <li>ADD (2) FUTURE 4' MICROWAVE DISHES</li> <li>ADD 6'-0" HIGH CHAIN LINK FENCE W/ VYNAL SLATS</li> <li>ADD 35KW LP PROPANE GENERATOR</li> <li>ADD 500 GAL LP PROPANE STORAGE TANK</li> </ol>	<p><b>PROPERTY INFORMATION:</b> SITE NAME: GRIZZLY FLATS SITE NUMBER: CVL03066</p> <p><b>SEARCH RING:</b> GRIZZLY FLATS FA# 13787675 SITE ADDRESS: 5060 SCIARONI RD. GRIZZLY FLATS, CA 95363</p> <p>A.P.N. NUMBER: 041-250-27</p> <p><b>CURRENT USE:</b> SINGLE FAMILY RESIDENTIAL, RURAL RESEDENTIAL</p> <p><b>PROPOSED USE:</b> (U) UNMANNED TELECOMMUNICATION FACILITY</p> <p>JURISDICTION: ELDORADO COUNTY</p> <p>LATITUDE: N 38° 38' 17.03"</p> <p>LONGITUDE: W 120° 31' 37.22"</p> <p>GROUND ELEVATION: ±3929 FT. AMSL</p>	<p><b>PROPERTY OWNER:</b> NORMAN A. ANDERSON II 5207 WOODHAVEN DRIVE GRIZZLY FLATS, CA 95363</p> <p><b>POWER AGENCY:</b> PG&amp;E PG&amp;E CORPORATION 1 MARKET STREET, SPEAR TOWER SAN FRANCISCO, CA 94105 PH: 1-800-743-5000</p> <p><b>TELEPHONE AGENCY:</b> AT&amp;T 525 MARKET STREET, SPEAR TOWER SAN FRANCISCO, CA 94105 PH: 1-800-310-2355</p>	<p><b>APPLICANT / LESSEE:</b> AT&amp;T 5001 EXECUTIVE PARKWAY SAN RAMON, CA 945834</p> <p><b>RF ENGINEER:</b> AT&amp;T CONTACT: MUHAMMAD AHMED EMAIL: MA912P@ATT.COM</p> <p><b>PROJECT MGR.:</b> EPIC WIRELESS CONTACT: NICK TAGAS EMAIL: NICK.TAGAS@EPICWIRELESS.NET PH: (916) 990-1446</p> <p><b>SITE ACQUISITION:</b> COMPANY: EPIC WIRELESS CONTACT: JARED KEARSLEY (ZONING MGR.) EMAIL: JARED.KEARSLEY@EPICWIRELESS.NET CELL: (916) 755-1326</p> <p><b>CONSTRUCTION MGR.:</b> COMPANY: EPIC WIRELESS CONTACT: PETE MANAS EMAIL: PETE.MANAS@EPICWIRELESS.NET PH: (530) 383-5957</p> <p><b>A&amp;E DESIGN GROUP:</b> COMPANY: EPIC WIRELESS CONTACT: CARL SYLVESTER CARL.SYLVESTER@EPICWIRELESS.NET PH: (530) 933-2763</p> <p><b>ARCHITECT / ENGINEER:</b> ADAPTIVE RE-USE ENGINEERING CONTACT: CRAIG HORNER, PE 84674 EMAIL: CRAIGMHORNER@YAHOO.COM PH: (214) 407-3184</p> <p><b>CIVIL VENDOR.:</b> VINCULUMS CM CONTACT: KEN ABEL EMAIL: KABEL@VINCULUMS.COM PH: (916) 844-4602</p>	<table border="1"> <tr><td>T-1</td><td>TITLE SHEET</td></tr> <tr><td>GN-1</td><td>GENERAL NOTES</td></tr> <tr><td>C-1</td><td>SITE SURVEY (BY OTHERS) FOR REFERENCE ONLY</td></tr> <tr><td>C-2</td><td>EROSION CONTROL NOTES</td></tr> <tr><td>C-2.1</td><td>GRADING PLAN &amp; DETAILS</td></tr> <tr><td>A-1</td><td>OVERALL SITE PLAN - EXTERIOR EQUIPMENT SHELTER</td></tr> <tr><td>A-1.1</td><td>SITE PLAN - EXTERIOR EQUIPMENT SHELTER</td></tr> <tr><td>A-2</td><td>EQUIPMENT AREA PLAN - EXTERIOR EQUIPMENT SHELTER</td></tr> <tr><td>A-3</td><td>ANTENNA PLAN &amp; DETAILS - MONOPINE</td></tr> <tr><td>A-4.1</td><td>PROPOSED MONOPINE NORTH - SOUTH ELEVATION</td></tr> <tr><td>A-4.2</td><td>PROPOSED MONOPINE WEST - EAST ELEVATION</td></tr> </table>	T-1	TITLE SHEET	GN-1	GENERAL NOTES	C-1	SITE SURVEY (BY OTHERS) FOR REFERENCE ONLY	C-2	EROSION CONTROL NOTES	C-2.1	GRADING PLAN & DETAILS	A-1	OVERALL SITE PLAN - EXTERIOR EQUIPMENT SHELTER	A-1.1	SITE PLAN - EXTERIOR EQUIPMENT SHELTER	A-2	EQUIPMENT AREA PLAN - EXTERIOR EQUIPMENT SHELTER	A-3	ANTENNA PLAN & DETAILS - MONOPINE	A-4.1	PROPOSED MONOPINE NORTH - SOUTH ELEVATION	A-4.2	PROPOSED MONOPINE WEST - EAST ELEVATION					
T-1	TITLE SHEET																														
GN-1	GENERAL NOTES																														
C-1	SITE SURVEY (BY OTHERS) FOR REFERENCE ONLY																														
C-2	EROSION CONTROL NOTES																														
C-2.1	GRADING PLAN & DETAILS																														
A-1	OVERALL SITE PLAN - EXTERIOR EQUIPMENT SHELTER																														
A-1.1	SITE PLAN - EXTERIOR EQUIPMENT SHELTER																														
A-2	EQUIPMENT AREA PLAN - EXTERIOR EQUIPMENT SHELTER																														
A-3	ANTENNA PLAN & DETAILS - MONOPINE																														
A-4.1	PROPOSED MONOPINE NORTH - SOUTH ELEVATION																														
A-4.2	PROPOSED MONOPINE WEST - EAST ELEVATION																														
<b>CODE COMPLIANCE</b>	<b>DIRECTIONS FROM AT&amp;T</b>																														
<p>ALL WORK AND MATERIALS SHALL BE PERFORMED AND INSTALLED IN ACCORDANCE WITH THE CURRENT EDITIONS OF THE FOLLOWING CODES AS ADOPTED BY THE LOCAL GOVERNING AUTHORITIES. NOTHING IN THESE PLANS IS TO BE CONSTRUCTED TO PERMIT WORK NOT CONFORMING TO THESE CODES:</p> <ol style="list-style-type: none"> <li>2016 CALIFORNIA ADMINISTRATIVE CODE, PART 1, TITLE 24, C.C.R. (CALIFORNIA CODE OF REGULATIONS)</li> <li>2016 CALIFORNIA BUILDING CODE (CBC), PART 2, TITLE 24, C.C.R. (VOLUMES 1 &amp; 2), (2015 INTERNATIONAL BUILDING CODE)</li> <li>2016 CALIFORNIA ELECTRICAL CODE (CEC), PART 3, TITLE 24, C.C.R., (2014 NATIONAL ELECTRICAL CODE)</li> <li>2016 CALIFORNIA MECHANICAL CODE (CMC), PART 4, TITLE 24, C.C.R., (2015 UNIFORM MECHANICAL CODE)</li> <li>2016 CALIFORNIA PLUMBING CODE (CPC), PART 5, TITLE 24, C.C.R., (2015 UNIFORM PLUMBING CODE)</li> <li>2016 CALIFORNIA ENERGY CODE (CEC), PART 6, TITLE 24, C.C.R.</li> <li>2016 CALIFORNIA HISTORICAL BUILDING CODE, PART 8, TITLE 24, C.C.R., (2015 INTERNATIONAL BUILDING CODE)</li> <li>2016 CALIFORNIA FIRE CODE, PART 9, TITLE 24 C.C.R., (2015 INTERNATIONAL FIRE CODE)</li> <li>2016 CALIFORNIA EXISTING BUILDING CODE, PART 10, TITLE 24, C.C.R., (2015 INTERNATIONAL BUILDING CODE)</li> <li>2016 CALIFORNIA GREEN BUILDING STANDARDS CODE, PART 11, TITLE 24 C.C.R., (CALGreen)</li> <li>2016 CALIFORNIA REFERENCED STANDARDS, PART 12, TITLE 24 C.C.R.</li> <li>ANSI/EIA-TIA-222-G</li> <li>ALONG WITH ANY OTHER APPLICABLE LOCAL &amp; STATE LAWS AND REGULATIONS.</li> </ol> <p><b>DISABLED ACCESS REQUIREMENTS</b> THIS FACILITY IS UNMANNED &amp; NOT FOR HUMAN HABITATION. DISABLED ACCESS &amp; REQUIREMENTS ARE NOT REQUIRED IN ACCORDANCE WITH CALIFORNIA STATE BUILDING CODE TITLE 24 PART 2, SECTION 11B-203.4</p>	<p><b>VICINITY MAP</b></p>	<p><b>DIRECTIONS FROM AT&amp;T'S OFFICE AT 2600 CAMINO RAMON, SAN RAMON, CA</b></p> <p>2600 CAMINO RAMON SAN RAMON, CA 94583</p> <ol style="list-style-type: none"> <li>GET ON I-680 S FROM CAMINO RAMON AND BOLLINGER CANYON RD 4 MIN (1.3 MI)</li> <li>HEAD EAST 157 FT TURN RIGHT TOWARD CAMINO RAMON 0.2 MI</li> <li>TURN RIGHT ONTO CAMINO RAMON 0.2 MI</li> <li>CONTINUE STRAIGHT TO STAY ON CAMINO RAMON 0.1 MI</li> <li>TURN RIGHT ONTO BOLLINGER CANYON RD 0.5 MI</li> <li>USE THE RIGHT LANE TO MERGE ONTO I-680 S VIA THE RAMP TO SAN JOSE 0.3 MI</li> <li>TAKE I-580 E, I-205 E, I-5 N AND CA-88 E TO CA-124 N IN AMADOR COUNTY 1 H 27 MIN (87.5 MI)</li> <li>MERGE ONTO I-680 S 3.9 MI</li> <li>USE THE RIGHT 2 LANES TO TAKE EXIT 30B TO MERGE ONTO I-580 E TOWARD STOCKTON 20.5 MI</li> <li>KEEP LEFT TO CONTINUE ON I-205 E, FOLLOW SIGNS FOR INTERSTATE 205/TRACY/STOCKTON 14.5 MI</li> <li>MERGE ONTO I-5 N 12.3 MI USE THE RIGHT LANE TO TAKE THE CA-4 E EXIT TOWARD DOWNTOWN STOCKTON 0.7 MI</li> <li>KEEP LEFT AND MERGE ONTO CA-4 2.7 MI</li> <li>USE THE LEFT 2 LANES TO TAKE EXIT 688 TO MERGE ONTO CA-99 N TOWARD SACRAMENTO 1.8 MI</li> <li>TAKE EXIT 255 FOR CA-88 E/WATERLOO ROAD TOWARD JACKSON 0.2 MI</li> <li>TURN RIGHT ONTO CA-88 E (SIGNS FOR JACKSON/WATERLOO ROAD) 19.1 MI</li> <li>TURN LEFT TO STAY ON CA-88 E 11.7 MI</li> <li>CONTINUE ON CA-124 N TO CA-16 E 12 MIN (10.5 MI)</li> <li>TURN LEFT ONTO CA-124 N 2.3 MI</li> <li>TURN LEFT ONTO E MAIN ST 341 FT</li> <li>TURN RIGHT ONTO PRESTON AVE 0.1 MI</li> <li>TURN RIGHT ONTO CA-124 N 8.0 MI</li> <li>TURN RIGHT ONTO CA-16 E 34 S (0.3 MI)</li> <li>TAKE SHENANDOAH RD, MT AUKUM RD AND GRIZZLY FLAT RD TO SCIARONI RD IN GRIZZLY FLATS 50 MIN (32.3 MI)</li> <li>CONTINUE ONTO CA-49 N 2.4 MI</li> <li>TURN RIGHT ONTO SHENANDOAH RD 0.5 MI</li> <li>TURN LEFT TO STAY ON SHENANDOAH RD 8.6 MI</li> <li>CONTINUE ONTO MT AUKUM RD 8.8 MI</li> <li>TURN RIGHT ONTO GRIZZLY FLAT RD 8.3 MI</li> <li>CONTINUE ONTO STRING CANYON RD 3.5 MI</li> <li>TURN RIGHT ONTO SCIARONI RD 0.2 MI</li> </ol>																													
<b>OCCUPANCY AND CONSTRUCTION TYPE</b>	<b>SPECIAL INSPECTIONS</b>	<b>APPROVALS</b>	<b>GENERAL CONTRACTOR NOTES</b>																												
<p>OCCUPANCY : U (UNMANNED)</p> <p>CONSTRUCTION TYPE: V-B</p>		<table border="1"> <thead> <tr> <th>APPROVED BY:</th> <th>INITIALS:</th> <th>DATE:</th> </tr> </thead> <tbody> <tr><td>AT&amp;T:</td><td></td><td></td></tr> <tr><td>VENDOR:</td><td></td><td></td></tr> <tr><td>R.F.:</td><td></td><td></td></tr> <tr><td>LEASING / LANDLORD:</td><td></td><td></td></tr> <tr><td>ZONING:</td><td></td><td></td></tr> <tr><td>CONSTRUCTION:</td><td></td><td></td></tr> <tr><td>POWER / TELCO:</td><td></td><td></td></tr> <tr><td>PG&amp;E:</td><td></td><td></td></tr> </tbody> </table>	APPROVED BY:	INITIALS:	DATE:	AT&T:			VENDOR:			R.F.:			LEASING / LANDLORD:			ZONING:			CONSTRUCTION:			POWER / TELCO:			PG&E:			<p><b>DO NOT SCALE DRAWINGS</b></p> <p>THESE DRAWINGS ARE FORMATTED TO BE FULL SIZE AT 24" x 36". CONTRACTOR SHALL VERIFY ALL PLANS AND EXISTING DIMENSIONS AND CONDITIONS ON THE JOBSITE AND SHALL IMMEDIATELY NOTIFY THE ARCHITECT/ENGINEER IN WRITING OF ANY DISCREPANCIES BEFORE PROCEEDING WITH THE WORK OR MATERIAL ORDERS OR BE RESPONSIBLE FOR THE SAME.</p>	
APPROVED BY:	INITIALS:	DATE:																													
AT&T:																															
VENDOR:																															
R.F.:																															
LEASING / LANDLORD:																															
ZONING:																															
CONSTRUCTION:																															
POWER / TELCO:																															
PG&E:																															
			<p><b>DIGALERT</b></p> <p><b>800-227-2600</b> Call 2 Full Working Days In Advance</p>																												





**PROPERTY INFORMATION**

Owner: NORMAN A. ANDERSON II  
Address: 5207 WOODHAVEN DRIVE  
GRIZZLY FLATS, CA 95363

Site: GRIZZLY FLATS  
Address: 5060 SCIARONI ROAD  
GRIZZLY FLATS, CA 95363

Assessor's Parcel Number: 041-250-27  
Height of Building/Tower: N/A

Title Report:  
TITLE REPORT FOR THIS PROPERTY WAS PROVIDED BY FIRST AMERICAN TITLE COMPANY REPORT NO. 5026900-5360754, DATED AS OF DECEMBER 12, 2016.

Legal Description:  
PROPERTY SITUATED IN THE CITY OF GRIZZLY FLATS, COUNTY OF EL DORADO, STATE OF CALIFORNIA.

**FEMA FLOOD ZONE DESIGNATION** National Flood Insurance Program  
County: EL DORADO Effective Date: SEPTEMBER 26, 2008  
Community-Panel Number: 08017C-0825-E  
The Flood Zone Designation for this site as plotted by scale is:  
ZONE X (no shading) - Areas determined to be outside the 0.2% annual chance floodplain.

**SURVEY DATA**  
NAD 83 Datum:  
Lat: N 38°38'17.03" Long: W 120°31'37.22"  
Datum Base: NAD 83 Equipment Used: CHCX900-OPUS Receiver  
(See Note 2)

Site Ground Elevation: 3929.0± AMSL (NAVD88) AT SITE LOCATION

Basis of Elevations:  
GLOBAL POSITIONING SYSTEM (GPS)  
(SEE NOTE 2)

Basis of Bearings:  
CALIFORNIA COORDINATES ZONE II AND MONUMENTS AS SHOWN ON RECORD OF SURVEY MAP FILED IN BOOK 8 AT PAGE 95 IN THE RECORDS OF EL DORADO COUNTY.  
Date of Field Survey: MARCH 13, 2017

**NOTES**

- This is not a boundary survey. This is a specialized topographic map with property lines and easements being a graphic depiction of various information gathered from preliminary title reports, back-up documents of record, maps and available monuments found during the field survey. No property monuments were set. No title research was performed by Quiet River Land Services, Inc.
- The latitude, longitude and elevation shown hereon were derived from post-processed L1/L2 data collected using Novator Global Positioning System (GPS) and a CHCX900-OPUS Receiver. CHX Navigation specifications report declimeter level accuracy (horizontal) when data is properly collected and processed. (Elevation = ±3.0 feet.)
- Unless otherwise noted, no underground utility locating service company was contacted prior to this map being prepared; therefore, there may be non-visible or obscure utilities existing on the property not shown on this map - so CALL BEFORE YOU DIG.
- Any electronic digital media provided by Quiet River Land Services, Inc. to our client is a courtesy and is not to be reproduced, distributed, sold, altered, revised, edited or amended without the express written consent of an Officer of Quiet River Land Services, Inc. Further, only the final stamped, signed and dated original "hard copy" version of our survey or map is considered to be our legally recognized product.

**SURVEYOR'S STATEMENT**

I, the undersigned, a Registered Professional Land Surveyor licensed under the laws of the State of California, do hereby state that the information, measurements, easements, record boundary lines, bearings and distances as shown hereon are based upon a field survey as dated above and upon items of public record and data contained in a title report, as referenced. Furthermore, the Latitude and Longitude coordinates are reported in NAD 83 Datum and are accurate to within ±15 feet horizontally, and the ground elevation, reported in NAVD 1988 Datum, is within ±3 feet vertically. The coordinate values and elevations are within the 1-A Accuracy Code designation as listed in the A.S.A.C. Information Sheet 91:003 and are accurate to the best of my knowledge and belief.

SIGNATURE \_\_\_\_\_ DATE \_\_\_\_\_

**LEGEND**

APN:	ASSESSOR'S PARCEL NUMBER	ASPHALT
CP:	CONTROL POINT	CONCRETE
EL:	ELEVATION	CONTROL POINT
FH:	FIRE HYDRANT	FOUND MONUMENT
FND:	FOUND	GPS POINT
HT:	HEIGHT	PARAPET/ROOF ELEVATIONS
MON:	MONUMENT	SPOT ELEVATION
(M-M)	MONUMENT TO MONUMENT	TEMPORARY BENCHMARK
P.O.B.	POINT OF BEGINNING	
P.O.C.	POINT OF COMMENCEMENT	
PP:	POWER POLE	
(TYP.)	TYPICAL	

DATE: APRIL 24, 2017

DRAWN BY: MAS

FILE NO.: EPIC1719

**REVISIONS**

DATE	DESCRIPTION	INITIAL
3/15/17	90% ISSUE	MAS
4/20/17	100% ISSUE	RO
4/21/17	REVISE ACCESS EASEMENT	RO
04/24/17	REVISE EASEMENT & SITE NAME	MAS

**at&t**  
AT&T MOBILITY  
5001 Executive Parkway  
San Ramon, CA 94583

**QUIET RIVER**  
Land Services Inc.  
11501 Dublin Boulevard, Suite 200  
Dublin, CA 94568  
(925) 734-6788 Phone

**EXISTING SITE CONDITIONS**

**CVL03066**  
GRIZZLY FLATS  
5060 SCIARONI ROAD  
GRIZZLY FLATS, CA 95363

**C1**  
OF 1 SHEET



## GENERAL CONSTRUCTION NOTES:

1. PLANS ARE INTENDED TO BE DIAGRAMMATIC OUTLINE ONLY, UNLESS NOTED OTHERWISE. THE WORK SHALL INCLUDE FURNISHING MATERIALS, EQUIPMENT, APPURTENANCES AND LABOR NECESSARY TO COMPLETE ALL INSTALLATIONS AS INDICATED ON THE DRAWINGS.
2. THE CONTRACTOR SHALL OBTAIN, IN WRITING, AUTHORIZATION TO PROCEED BEFORE STARTING WORK ON ANY ITEM NOT CLEARLY DEFINED OR IDENTIFIED BY THE CONTRACT DOCUMENTS.
3. CONTRACTOR SHALL CONTACT USA (UNDERGROUND SERVICE ALERT) AT (800) 227-2600, FOR UTILITY LOCATIONS, 48 HOURS BEFORE PROCEEDING WITH ANY EXCAVATION, SITE WORK OR CONSTRUCTION.
4. THE CONTRACTOR SHALL INSTALL ALL EQUIPMENT AND MATERIALS IN ACCORDANCE WITH MANUFACTURER'S RECOMMENDATIONS UNLESS SPECIFICALLY INDICATED OTHERWISE, OR WHERE LOCAL CODES OR REGULATIONS TAKE PRECEDENCE.
5. ALL CONSTRUCTION SHALL BE IN ACCORDANCE WITH THE CBC/UBC'S REQUIREMENTS REGARDING EARTHQUAKE RESISTANCE, FOR, BUT NOT LIMITED TO, PIPING, LIGHT FIXTURES, CEILING GRID, INTERIOR PARTITIONS, AND MECHANICAL EQUIPMENT. ALL WORK MUST COMPLY WITH LOCAL EARTHQUAKE CODES AND REGULATIONS.
6. REPRESENTATIONS OF TRUE NORTH, OTHER THAN THOSE FOUND ON THE PLOT OF SURVEY DRAWINGS, SHALL NOT BE USED TO IDENTIFY OR ESTABLISH BEARING OF TRUE NORTH AT THE SITE. THE CONTRACTOR SHALL RELY SOLELY ON THE PLOT OF SURVEY DRAWING AND ANY SURVEYOR'S MARKINGS AT THE SITE FOR THE ESTABLISHMENT OF TRUE NORTH, AND SHALL NOTIFY THE ARCHITECT / ENGINEER PRIOR TO PROCEEDING WITH THE WORK IF ANY DISCREPANCY IS FOUND BETWEEN THE VARIOUS ELEMENTS OF THE WORKING DRAWINGS AND THE TRUE NORTH ORIENTATION AS DEPICTED ON THE CIVIL SURVEY. THE CONTRACTOR SHALL ASSUME SOLE LIABILITY FOR ANY FAILURE TO NOTIFY THE ARCHITECT / ENGINEER.
7. THE BUILDING DEPARTMENT ISSUING THE PERMITS SHALL BE NOTIFIED AT LEAST TWO WORKING DAYS PRIOR TO THE COMMENCEMENT OF WORK, OR AS OTHERWISE STIPULATED BY THE CODE ENFORCEMENT OFFICIAL HAVING JURISDICTION.
8. DO NOT EXCAVATE OR DISTURB BEYOND THE PROPERTY LINES OR LEASE LINES, UNLESS OTHERWISE NOTED.
9. ALL EXISTING UTILITIES, FACILITIES, CONDITIONS, AND THEIR DIMENSIONS SHOWN ON THE PLAN HAVE BEEN PLOTTED FROM AVAILABLE RECORDS. THE ARCHITECT / ENGINEER AND THE OWNER ASSUME NO RESPONSIBILITY WHATSOEVER AS TO THE SUFFICIENCY OR THE ACCURACY OF THE INFORMATION SHOWN ON THE PLANS, OR THE MANNER OF THEIR REMOVAL OR ADJUSTMENT. CONTRACTORS SHALL BE RESPONSIBLE FOR DETERMINING EXACT LOCATION OF ALL EXISTING UTILITIES AND FACILITIES PRIOR TO START OF CONSTRUCTION. CONTRACTORS SHALL ALSO OBTAIN FROM EACH UTILITY COMPANY DETAILED INFORMATION RELATIVE TO WORKING SCHEDULES AND METHODS OF REMOVING OR ADJUSTING EXISTING UTILITIES.
10. CONTRACTOR SHALL VERIFY ALL EXISTING UTILITIES, BOTH HORIZONTAL AND VERTICALLY, PRIOR TO THE START OF CONSTRUCTION. ANY DISCREPANCIES OR DOUBTS AS TO THE INTERPRETATION OF PLANS SHOULD BE IMMEDIATELY REPORTED TO THE ARCHITECT / ENGINEER FOR RESOLUTION AND INSTRUCTION, AND NO FURTHER WORK SHALL BE PERFORMED UNTIL THE DISCREPANCY IS CHECKED AND CORRECTED BY THE ARCHITECT / ENGINEER. FAILURE TO SECURE SUCH INSTRUCTION MEANS CONTRACTOR WILL HAVE WORKED AT HIS/HER OWN RISK AND EXPENSE.
11. ALL NEW AND EXISTING UTILITY STRUCTURES ON SITE AND IN AREAS TO BE DISTURBED BY CONSTRUCTION SHALL BE ADJUSTED TO FINISH ELEVATIONS PRIOR TO FINAL INSPECTION OF WORK.
12. ANY DRAIN AND/OR FIELD TILE ENCOUNTERED / DISTURBED DURING CONSTRUCTION SHALL BE RETURNED TO ITS ORIGINAL CONDITION PRIOR TO COMPLETION OF WORK. SIZE, LOCATION AND TYPE OF ANY UNDERGROUND UTILITIES OR IMPROVEMENTS SHALL BE ACCURATELY NOTED AND PLACED ON "AS-BUILT" DRAWINGS BY GENERAL CONTRACTOR, AND ISSUED TO THE ARCHITECT / ENGINEER AT COMPLETION OF PROJECT.
13. ALL TEMPORARY EXCAVATIONS FOR THE INSTALLATION OF FOUNDATIONS, UTILITIES, ETC., SHALL BE PROPERLY LAID BACK OR BRACED IN ACCORDANCE WITH CORRECT OCCUPATIONAL SAFETY AND HEALTH ADMINISTRATION (OSHA) REQUIREMENTS.
14. INCLUDE MISC. ITEMS PER AT&T SPECIFICATIONS

## APPLICABLE CODES, REGULATIONS AND STANDARDS:

SUBCONTRACTOR'S WORK SHALL COMPLY WITH ALL APPLICABLE NATIONAL, STATE, AND LOCAL CODES AS ADOPTED BY THE LOCAL AUTHORITY HAVING JURISDICTION (AHJ) FOR THE LOCATION.

THE EDITION OF THE AHJ ADOPTED CODES AND STANDARDS IN EFFECT ON THE DATE OF CONTRACT AWARD SHALL GOVERN THE DESIGN.

SUBCONTRACTOR'S WORK SHALL COMPLY WITH THE LATEST EDITION OF THE FOLLOWING STANDARDS:

- AMERICAN CONCRETE INSTITUTE (ACI) 318, BUILDING CODE REQUIREMENTS FOR STRUCTURAL CONCRETE
- AMERICAN INSTITUTE OF STEEL CONSTRUCTION (AISC), MANUAL OF STEEL CONSTRUCTION, ASD, NINTH EDITION
- TELECOMMUNICATIONS INDUSTRY ASSOCIATION (TIA) 222-G, STRUCTURAL STANDARD FOR STRUCTURAL ANTENNA TOWER AND ANTENNA SUPPORTING STRUCTURES
- INSTITUTE FOR ELECTRICAL AND ELECTRONICS ENGINEERS (IEEE) 81, GUIDE FOR MEASURING EARTH RESISTIVITY, GROUND IMPEDANCE, AND EARTH SURFACE POTENTIALS OF A GROUND SYSTEM IEEE 1100 (1999) RECOMMENDED PRACTICE FOR POWERING AND GROUNDING OF ELECTRICAL EQUIPMENT.
- IEEE C62.41, RECOMMENDED PRACTICES ON SURGE VOLTAGES IN LOW VOLTAGE AC POWER CIRCUITS (FOR LOCATION CATEGORY "C3" AND "HIGH SYSTEM EXPOSURE")

TIA 607 COMMERCIAL BUILDING GROUNDING AND BONDING REQUIREMENTS FOR TELECOMMUNICATIONS TELCORDIA GR-63 NETWORK  
EQUIPMENT-BUILDING SYSTEM (NEBS): PHYSICAL PROTECTION  
TELCORDIA GR-347 CENTRAL OFFICE POWER WIRING  
TELCORDIA GR-1275 GENERAL INSTALLATION REQUIREMENTS  
TELCORDIA GR-1503 COAXIAL CABLE CONNECTIONS

ANY AND ALL OTHER LOCAL & STATE LAWS AND REGULATIONS

FOR ANY CONFLICTS BETWEEN SECTIONS OF LISTED CODES AND STANDARDS REGARDING MATERIAL, METHODS OF CONSTRUCTION, OR OTHER REQUIREMENTS, THE MOST RESTRICTIVE SHALL GOVERN. WHERE THERE IS CONFLICT BETWEEN A GENERAL REQUIREMENT AND A SPECIFIC REQUIREMENT, THE SPECIFIC REQUIREMENT SHALL GOVERN.

## ABBREVIATIONS

A.B.	ANCHOR BOLT	HT.	HEIGHT
ABV.	ABOVE	IGCB.	ISOLATED COPPER GROUND BUS
ACCA	ADDITIONAL ANTENNA CABLE COVER ASSEMBLY	IN. ( " )	INCH(ES)
ADD'L	ADDITIONAL	INT.	INTERIOR
A.F.F.	ABOVE FINISHED FLOOR	LB. (#)	POUND(S)
A.F.G.	ABOVE FINISHED GRADE	L.B.	LAG BOLTS
ALUM.	ALUMINUM	L.F.	LINEAR FEET (FOOT)
ALT.	ALTERNATE	L.	LONG(ITUDINAL)
ANT.	ANTENNA	MAS.	MASONRY
APPRX.	APPROXIMATE(LY)	MAX.	MAXIMUM
ARCH.	ARCHITECT(URAL)	M.B.	MACHINE BOLT
AWG.	AMERICAN WIRE GAUGE	MECH.	MECHANICAL
BLDG.	BUILDING	MFR.	MANUFACTURER
BLK.	BLOCK	MIN.	MINIMUM
BLKG.	BLOCKING	MISC.	MISCELLANEOUS
BM.	BEAM	MTL.	METAL
B.N.	BOUNDARY NAILING	(N)	NEW
BTCW.	BARE TINNED COPPER WIRE	NO. (#)	NUMBER
B.O.F.	BOTTOM OF FOOTING	N.T.S.	NOT TO SCALE
B/U	BACK-UP CABINET	O.C.	ON CENTER
CAB.	CABINET	OPNG.	OPENING
CANT.	CANTILEVER(ED)	(P)	PROPOSED
C.I.P.	CAST IN PLACE	P/C	PRECAST CONCRETE
CLG.	CEILING	PCS	PERSONAL COMMUNICATION SERVICES
CLR.	CLEAR	PLY.	PLYWOOD
COL.	COLUMN	PPC	POWER PROTECTION CABINET
CONC.	CONCRETE	PRC	PRIMARY RADIO CABINET
CONN.	CONNECTION(OR)	P.S.F.	POUNDS PER SQUARE FOOT
CONST.	CONSTRUCTION	P.S.I.	POUNDS PER SQUARE INCH
CONT.	CONTINUOUS	P.T.	PRESSURE TREATED
d	DIMENSION	PWR.	POWER (CABINET)
DBL	DOUBLE	QTY.	QUANTITY
DEPT.	DEPARTMENT	RAD.(R)	RADIUS
D.F.	DOUGLAS FIR	REF.	REFERENCE
DIA.	DIAMETER	REINF.	REINFORCEMENT(ING)
DIAG.	DIAGONAL	REQ'D/	REQUIRED
DIM.	DIMENSION	RGS.	RIGID GALVANIZED STEEL
DWG.	DRAWING(S)	SCH.	SCHEDULE
DWL	DOWEL(S)	SHT.	SHEET
EA.	EACH	SM.	SIMILAR
EL.	ELEVATION	SPEC.	SPECIFICATIONS
ELEC.	ELECTRICAL	SQ.	SQUARE
ELEV.	ELEVATOR	S.S.	STAINLESS STEEL
EMT.	ELECTRICAL METALLIC TUBING	STD.	STANDARD
E.N.	EDGE NAIL	STL.	STEEL
ENG.	ENGINEER	STRUC.	STRUCTURAL
EQ.	EQUAL	TEMP.	TEMPORARY
EXP.	EXPANSION	THK.	THICK(NESS)
EXST.(E)	EXISTING	T.N.	TOE NAIL
EXT.	EXTERIOR	T.O.A.	TOP OF ANTENNA
(F)	FUTURE	T.O.C.	TOP OF CURB
FAB.	FABRICATION(OR)	T.O.F.	TOP OF FOUNDATION
F.F.	FINISH FLOOR	T.O.P.	TOP OF PLATE (PARAPET)
F.G.	FINISH GRADE	T.O.S.	TOP OF STEEL
FIN.	FINISH(ED)	T.O.W.	TOP OF WALL
FLR.	FLOOR	TYP.	TYPICAL
FDN.	FOUNDATION	U.G.	UNDER GROUND
F.O.C.	FACE OF CONCRETE	U.L.	UNDERWRITERS LABORATORY
F.O.M.	FACE OF MASONRY	U.N.O.	UNLESS NOTED OTHERWISE
F.O.S.	FACE OF STUD	V.I.F.	VERIFY IN FIELD
F.O.W.	FACE OF WALL	W	WIDE (WIDTH)
F.S.	FINISH SURFACE	W/	WITH
FT.( " )	FOOT (FEET)	WD.	WOOD
FTG.	FOOTING	W.P.	WEATHERPROOF
G.	GROWTH (CABINET)	WT.	WEIGHT
GA.	GAUGE	C	CENTERLINE
GI.	GALVANIZE(D)	P	PLATE, PROPERTY LINE
G.F.I.	GROUND FAULT CIRCUIT INTERRUPTER		
GLB. (GLU-LAM)	GLUE LAMINATED BEAM		
GPS	GLOBAL POSITIONING SYSTEM		
GRND.	GROUND		
HDR.	HEADER		
HGR.	HANGER		

## SYMBOLS LEGEND

	BLDG. SECTION		(P) ANTENNA
	ROAD SECTION		(P) RRU
	WALL SECTION		(P) DC SURGE SUPPRESSION
	DETAIL		(F) ANTENNA
	ELEVATION		(F) RRU
	DOOR SYMBOL		(E) EQUIPMENT
	WINDOW SYMBOL		(E) BRICK
	TILT-UP PANEL MARK		(E) MASONRY
	PROPERTY LINE		CONCRETE
	CENTERLINE		EARTH
	ELEVATION DATUM		GRAVEL
	GRID/COLUMN LINE		PLYWOOD
	KEYNOTE, DIMENSION ITEM		SAND
	KEYNOTE, CONSTRUCTION ITEM		PLYWOOD
	WALL TYPE MARK		SAND
	OFFICE		(E) STEEL
	ROOM NAME		MATCH LINE
	ROOM NUMBER		GROUND CONDUCTOR
			OVERHEAD SERVICE CONDUCTORS
			TELEPHONE CONDUIT
			POWER CONDUIT
			POWER/TELECO CONDUIT
			COAXIAL CABLE
			HYBRID CABLE
			CHAIN LINK FENCE
			WOOD FENCE
			EXISTING FLOW LINE
			NEW FLOW LINE
			FIBER ROLL
			SILT FENCE

Issued For:

**GRIZZLY FLATS**

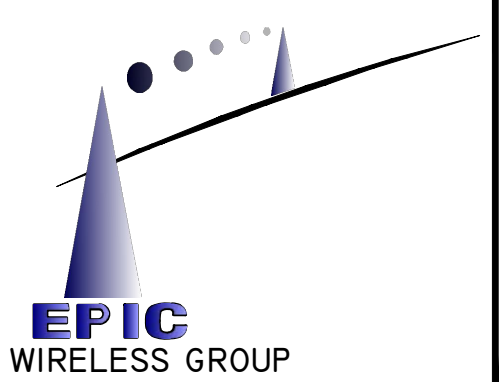
5060 SCIARONI RD.

GRIZZLY FLATS, CA 95363

PREPARED FOR



2600 Camino Ramon, 4W850 N  
San Ramon, California 94583



AT&T SITE NO: CVL03066

PROJECT NO: 13787675

DRAWN BY: CES

CHECKED BY: CES

REV	DATE	DESCRIPTION
0	04/25/17	ZD 90%
0	04/27/17	ZD 100%

REV	DATE	DESCRIPTION

Licenser:



IT IS A VIOLATION OF LAW FOR ANY PERSON, UNLESS THEY ARE ACTING UNDER THE DIRECTION OF A LICENSED PROFESSIONAL ENGINEER, TO ALTER THIS DOCUMENT.

Engineer:

**ADAPTIVE RE-USE  
ENGINEERING**  
Craig Horner, PE 84674  
214-407-3184  
3112 LEATHA WAY  
SACRAMENTO, CA 95821  
craigmhorner@yahoo.com

SHEET TITLE:

**GENERAL NOTES**

SHEET NUMBER:

**GN-1**



BEST MANAGEMENT PRACTICES "BMP" TABLE			
BEST MANAGEMENT PRACTICES	LOCATION	SCHEDULE IMPLEMENTATION	MAINTENANCE SCHEDULE
PRESERVING EXISTING VEGETATION	AROUND PERIMETER OF PROJECT SITE	CONTINUOUS UNTIL CONSTRUCTION IS COMPLETED	EDUCATE EMPLOYEES AND SUBCONTRACTORS REGARDING IMPORTANCE OF MAINTAINING EXISTING VEGETATION TO PREVENT EROSION AND FILTER OUT SEDIMENT IN RUNOFF FROM DISTURBED AREAS ON THE CONSTRUCTION SITE. INSPECT SITE PERIMETER MONTHLY TO VERIFY THE OUTSIDE VEGETATION IS NOT DISTURBED.
PROTECT GRADED AREAS AND SLOPES FROM WASHOUT AND EROSION	THROUGHOUT PROJECT SITE	CONTINUOUS	INSPECT GRADED AREAS AND SLOPES ON AT LEAST A MONTHLY BASIS TO CHECK FOR EROSION. THE GRADE TRIBUTARY AREAS OR INSTALL SAND DIKES AS NECESSARY TO PREVENT EROSION.
GRAVEL FILTER	ALONG FLOW LINES OF UNPAVED ROADWAYS WITHIN SITE	IN PLACE CONTINUOUSLY UNTIL ROADWAYS ARE PAVED	INSPECT AFTER EACH STORM. REMOVE ONSITE SEDIMENT DEPOSITED BEHIND BERM OR BARRIER TO MAINTAIN EFFECTIVENESS.
BAG INLET FILTER	INLETS TO THE STORM DRAINAGE SYSTEM	CONTINUOUS UNTIL LANDSCAPING IS IN PLACE	INSPECT WEEKLY AND AFTER EACH STORM. REMOVE SEDIMENT AND DEBRIS BEFORE ACCUMULATION HAS REACHED ONE THIRD THE DEPTH OF THE BAG. REPAIR OR REPLACE INLET FILTER BAG AS SOON AS DAMAGE OCCURS.
FIBER ROLLS	SEE NOTE 3 OF EROSION & CONTROL NOTES	CONTINUOUS	INSPECT AFTER EACH STORM. REMOVE SEDIMENT DEPOSITED BEHIND FIBER ROLLS WHENEVER NECESSARY TO MAINTAIN EFFECTIVENESS.
HYDROSEEDING	3:1 SLOPES	IN PLACE DURING BY SEPT. 15	INSPECT SLOPES ON AT LEAST A MONTHLY BASIS TO CHECK FOR EROSION. IF EROSION IS NOTED, SPREAD STRAW MULCH OVER AFFECTED AREAS.
STABILIZED CONSTRUCTION ENTRANCE	ENTRANCES TO SITE FROM PUBLIC ROADWAYS	CONTINUOUS, UNTIL ENTRANCES AND ONSITE ROADWAYS ARE PAVED	INSPECT ON A MONTHLY BASIS AND AFTER EACH RAINFALL. ADD AGGREGATE BASE MATERIAL WHENEVER NECESSARY TO PREVENT SEDIMENT FROM BEING TRACKED INTO PUBLIC STREET.
WIND EROSION CONTROL PRACTICES	WHEREVER NECESSARY THROUGHOUT PROJECT SITE	CONTINUOUS UNTIL GRADING IS COMPLETED AND SOILS HAVE STABILIZED	INSPECT SITE DURING WINDY CONDITIONS TO IDENTIFY AREAS WHERE WIND AND EROSION IS OCCURRING AND ABATE EROSION AS NECESSARY.
GOOD HOUSEKEEPING MEASURES	THROUGHOUT PROJECT SITE	CONTINUOUS UNTIL CONSTRUCTION IS COMPLETED	INSPECT SITE ON AT LEAST A MONTHLY BASIS TO VERIFY GOOD HOUSEKEEPING PRACTICES ARE BEING IMPLEMENTED.
PROPER CONSTRUCTION MATERIAL STORAGE	DESIGNATED AREA	CONTINUOUS UNTIL CONSTRUCTION IS COMPLETED	INSPECT SITE ON AT LEAST A WEEKLY BASIS TO VERIFY THAT CONSTRUCTION MATERIALS ARE STORED IN A MANNER WHICH COULD NOT CAUSE STORM WATER POLLUTION.
PROPER CONSTRUCTION WASTE STORAGE AND DISPOSAL INCLUDING	DESIGNATED COLLECTION AREA AND CONTAINERS	CONTINUOUS UNTIL CONSTRUCTION IS COMPLETED	INSPECT SITE ON AT LEAST A WEEKLY BASIS TO ASSURE WASTE IS STORED PROPERLY AND DISPOSED OF AT LEGAL DISPOSAL SITE, DAILY.
CONCRETE SPILL CLEANUP PAINT & PAINTING SUPPLIES	MATERIAL HANDLING AREAS	IMMEDIATELY AT TIME OF SPILL	INSPECT MATERIAL HANDLING AREAS ON AT LEAST A MONTHLY BASIS TO VERIFY PROPER SPILL CLEANUP.
VEHICLE FUELING, MAINTENANCE & CLEANING	DESIGNATED AREA WITH SECONDARY CONTAINMENT	CONTINUOUS	KEEP AMPLE SUPPLIES OF SPILL CLEANUP MATERIALS ON SITE & INSPECT ON REGULAR SCHEDULE.
STREET AND STORM DRAINAGE FACILITY MAINTENANCE DEFINITIONS	STREETS AND STORM DRAINAGE FACILITIES	CONTINUOUS UNTIL CONSTRUCTION IS COMPLETED	MAINTAIN STORM DRAINAGE FACILITIES AND PAVED STREETS CLEAR OF SEDIMENT AND DEBRIS.
1. WET SEASON: ENTIRE PERIOD BETWEEN OCTOBER 1 THROUGH APRIL 30. CONTRACTOR SHALL ALSO IMPLEMENT WET SEASON MEASURES IF WET WEATHER IS EXPECTED DURING THE DRY SEASON			
2. PHASES OF GRADING			
INITIAL: WHEN CLEARING AND GRUBBING ACTIVITIES OCCUR.			
ROUGH: WHEN CUT AND FILL ACTIVITIES OCCUR AND THE SITE IMPROVEMENTS ARE CONSTRUCTED, INCLUDING UNDERGROUND PIPING, STREETS, SIDEWALKS, AND OTHER IMPROVEMENTS.			
WHEN FINAL ELEVATION IS SET, AND SITE IMPROVEMENTS ARE COMPLETED AND READY FOR CITY ACCEPTANCE.			

### FIBER ROLL NOTES:

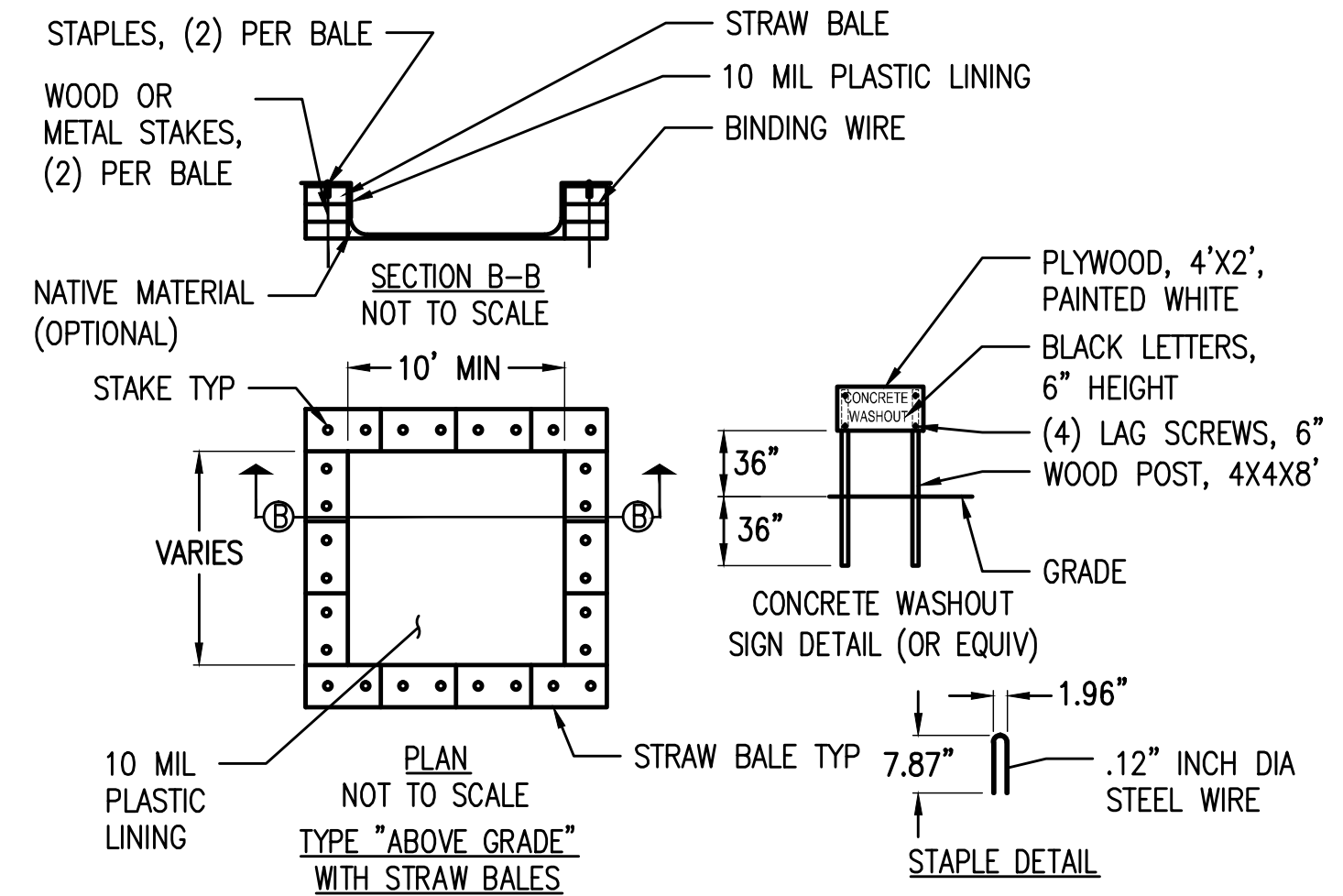
- REPAIR OR REPLACE SPLIT, TORN UNRAVELING OR SLUMPING FIBER ROLLS. FIBER ROLLS TO BE STAKED 4' O.C. PARALLEL TO (E) CONTOURS.
- INSPECT FIBER ROLLS WHEN RAIN IS FORECAST, DURING AND FOLLOWING RAIN EVENTS, AT LEAST DAILY DURING PROLONGED RAINFALL, FOR SPECIFIC MONITORING INTERVALS REFER TO THE CURRENT VERSION OF STORM WATER "BMP" MANUAL FOR DURING THE NON-RAINY SEASON.
- SEDIMENT SHOULD BE REMOVED WHEN SEDIMENT ACCUMULATION REACHES ONE-HALF THE DESIGNATED SEDIMENT STORAGE DEPTH, USUALLY ONE-HALF THE DISTANCE BETWEEN THE TOP OF THE FIBER ROLL AND THE ADJACENT GROUND SURFACE. SEDIMENT REMOVED DURING MAINTENANCE MAY BE INCORPORATED INTO THE EARTHWORK ON THE SITE OR DISPOSED AT AN APPROPRIATE LOCATION.
- FILTER BARRIER SHALL BE CONSTRUCTED LONG ENOUGH TO EXTEND ACROSS THE EXPECTED FLOW PATH AND AS APPROVED BY THE LANDSCAPE INSPECTOR.

### CONSTRUCTION EROSION/SEDIMENT CONTROL PLAN NOTES:

- THE CONTRACTOR SHALL FOLLOW TYPICAL GUIDELINES FOR GRADING, EROSION AND SEDIMENT CONTROL FOR THE MEASURES SHOWN OR STATED ON THESE PLANS.
- CONTRACTOR MUST ENSURE THAT THE CONSTRUCTION SITE IS PREPARED PRIOR TO THE ONSET OF ANY STORM. CONTRACTOR SHALL HAVE ALL EROSION AND SEDIMENT CONTROL MEASURES IN PLACE FOR THE WINTER MONTHS PRIOR TO OCTOBER 1.
- ALL EROSION AND SEDIMENT CONTROL MEASURES SHALL BE MAINTAINED UNTIL DISTURBED AREAS ARE STABILIZED. CHANGES TO THIS EROSION AND SEDIMENT CONTROL PLAN SHALL BE MADE TO MEET FIELD CONDITIONS ONLY WITH THE APPROVAL OF OR AT THE DIRECTION OF A REPRESENTATIVE OF THE DEPARTMENT OF UTILITIES.
- THIS PLAN MAY NOT COVER ALL THE SITUATIONS THAT ARISE DURING CONSTRUCTION DUE TO UNANTICIPATED FIELD CONDITIONS. VARIATIONS MAY BE MADE TO THE PLAN IN THE FIELD SUBJECT TO THE APPROVAL OF OR AT THE DIRECTION OF A REPRESENTATIVE OF THE DEPARTMENT OF UTILITIES.
- ALL EROSION AND SEDIMENT CONTROL MEASURES SHALL BE CHECKED BEFORE DURING AND AFTER ALL STORMS TO ENSURE MEASURES ARE FUNCTIONING PROPERLY. REFER TO CURRENT VERSION OF STORMWATER "BMP" MANUAL FOR SPECIFIC SCHEDULE PER SITE CONDITIONS.
- CONTRACTOR SHALL MAINTAIN A LOG AT THE SITE OF ALL INSPECTIONS OR MAINTENANCE OF BMPs, AS WELL AS, ANY CORRECTIVE CHANGES TO THE BMPs OR EROSION AND SEDIMENT CONTROL PLAN.
- IN AREAS WHERE SOIL IS EXPOSED, PROMPT REPLANTING WITH NATIVE COMPATIBLE, DROUGHT-RESISTANT VEGETATION SHALL BE PERFORMED. NO AREAS WILL BE LEFT EXPOSED OVER THE WINTER SEASON.
- THE CONTRACTOR SHALL INSTALL A STABILIZED CONSTRUCTION ENTRANCE PRIOR TO COMMENCEMENT OF CONSTRUCTION WHEN APPLICABLE FOR SITES NOT ACCESSIBLE BY COMMERCIAL PREPARED ACCESS. LOCATION OF THE ENTRANCE MAY BE ADJUSTED BY THE CONTRACTOR TO FACILITATE CONSTRUCTION OPERATIONS. ALL CONSTRUCTION TRAFFIC ENTERING THE PAVED ROAD MUST CROSS THE STABILIZED CONSTRUCTION ENTRANCE. THE STABILIZED CONSTRUCTION ENTRANCE (WHEN APPLICABLE) SHALL REMAIN IN PLACE UNTIL THE CONSTRUCTION IS COMPLETE.
- ALL SEDIMENT DEPOSITED ON PAVED ROADWAYS SHALL BE SWEEPED AT THE END OF EACH WORKING DAY OR AS NECESSARY.
- CONTRACTOR SHALL PLACE GRAVEL BAGS AROUND ALL NEW DRAINAGE STRUCTURE OPENINGS IMMEDIATELY AFTER THE STRUCTURE OPENING IS CONSTRUCTED. THESE GRAVEL BAGS SHALL BE MAINTAINED AND REMAIN IN PLACE UNTIL CONSTRUCTION IS COMPLETED.
- THE ENTRANCE SHALL BE MAINTAINED IN A CONDITION THAT WILL PREVENT TRACKING OR FLOWING OF SEDIMENT ONTO PUBLIC RIGHT-OF-WAYS. THIS MAY REQUIRE TOP DRESSING, REPAIR AND/OR CLEANOUT OF ANY MEASURES USED TO TRAP SEDIMENT.
- WHEN NECESSARY, WHEELS SHALL BE CLEANED PRIOR TO ENTRANCE ONTO PUBLIC RIGHT-OF-WAY.
- WHEN WASHING IS REQUIRED, IT SHALL BE DONE ON AN AREA STABILIZED WITH CRUSHED STONE THAT DRAINS INTO AN APPROVED SEDIMENT TRAP OR SEDIMENT BASIN.
- CONTRACTOR SHALL IMPLEMENT HOUSEKEEPING PRACTICES AS FOLLOWS:
  - SOLID WASTE MANAGEMENT:** PROVIDE DESIGNATED WASTE COLLECTION AREAS AND CONTAINERS. ARRANGE FOR REGULAR REMOVAL AND DISPOSAL. CLEAR SITE OF TRASH INCLUDING ORGANIC DEBRIS, PACKAGING MATERIALS, SCRAP OR SURPLUS BUILDING MATERIALS AND DOMESTIC WASTE DAILY.
  - MATERIAL DELIVERY AND STORAGE:** PROVIDE A DESIGNATED MATERIAL STORAGE AREA WITH SECONDARY CONTAINMENT SUCH AS BERMING. STORE MATERIAL ON PALLETS AND PROVIDE COVERING FOR SOLUBLE MATERIALS. RELOCATE STORAGE AREA INTO BUILDING SHELL WHEN POSSIBLE. INSPECT AREA DAILY.
  - CONCRETE WASTE:** PROVIDE A DESIGNATED AREA FOR A TEMPORARY PIT TO BE USED FOR CONCRETE TRUCK WASH-OUT. DISPOSE OF HARDENED CONCRETE OFFSITE. AT NO TIME SHALL A CONCRETE TRUCK DUMP ITS WASTE AND CLEAN ITS TRUCK INTO THE CITY STORM DRAINS VIA CURB AND GUTTER. INSPECT DAILY TO CONTROL RUNOFF, AND WEEKLY FOR REMOVAL OF HARDENED CONCRETE.
  - PAINT AND PAINTING SUPPLIES:** PROVIDE INSTRUCTION TO EMPLOYEES AND SUBCONTRACTORS REGARDING REDUCTION OF POLLUTANTS INCLUDING MATERIAL STORAGE, USE, AND CLEAN UP. INSPECT SITE DAILY FOR EVIDENCE OF IMPROPER DISPOSAL.
  - VEHICLE FUELING, MAINTENANCE AND CLEANING:** PROVIDE A DESIGNATED FUELING AREA WITH SECONDARY CONTAINMENT SUCH AS BERMING. DO NOT ALLOW MOBILE FUELING OF EQUIPMENT. PROVIDE EQUIPMENT WITH DRIP PANS. RESTRICT ONSITE MAINTENANCE AND CLEANING OF EQUIPMENT TO A MINIMUM. INSPECT AREA DAILY.
  - HAZARDOUS WASTE MANAGEMENT:** PREVENT THE DISCHARGE OF POLLUTANTS FROM HAZARDOUS WASTES TO THE DRAINAGE SYSTEM THROUGH PROPER MATERIAL USE, WASTE DISPOSAL AND TRAINING OF EMPLOYEES. HAZARDOUS WASTE PRODUCTS COMMONLY FOUND ON-SITE INCLUDE BUT ARE NOT LIMITED TO PAINTS & SOLVENTS, PETROLEUM PRODUCTS, FERTILIZERS, HERBICIDES & PESTICIDES, SOIL STABILIZATION PRODUCTS, ASPHALT PRODUCTS AND CONCRETE CURING PRODUCTS.
- USE "BMPs" AT ALL PHASES OF CONSTRUCTION.
- GRAVEL BAGS WITH FIBER ROLLS/ SILT BARRIER AND OR BAG INLET FILTERS TO BE USED FOR INLET PROTECTION FROM CONSTRUCTION CONTAMINATES. CONTRACTOR TO FIELD IDENTIFY ALL CONDITIONS WHERE THIS MAY APPLY AND MAINTAIN DURING THE COURSE OF CONSTRUCTION. THIS SHALL APPLY TO THE LOCAL SITE ACTIVITY AS WELL AS ANY AREA TRAVELED EXTENDING TO THE POINT OF SITE ACCESS AND ONTO THE PUBLIC RIGHT OF WAYS. NO CONSTRUCTION DEBRIS MAY ENTER ANY STORM WATER DRAIN AT ANY TIME. THE CONTRACTOR SHALL IMPLEMENT MEASURES TO MONITOR THIS AT ALL TIMES DURING THE CONSTRUCTION PHASE.
- ANY AN ALL STORED MATERIALS, INCLUDING BUT NOT LIMITED TO, EXCAVATED SOIL, IMPORTED ROCK, SAND OR GRAVEL, PAINT, CONCRETE, WOOD, METAL OR CONTAMINATED WATER SHALL BE STORED PROPERLY TO INSURE NO DISCHARGE OF CONTAMINATES.
- REMOVE DIRT, DEBRIS AND WEEDS FROM PUBLIC SIDE WALK AREAS AND STORM DRAIN SYSTEMS AND ANY CONSTRUCTION MATERIALS OR DEBRIS TO AN APPROVED LOCATION AS ON A DAILY BASIS (OR AS DIRECTED BY THE CITY ENGINEER). A CONCRETE WASHOUT SHALL BE ONSITE AT ALL TIMES. CONTRACTOR TO FIELD VERIFY LOCATION, AND BEST METHOD TO PREVENT SPILLS AND DISCHARGE OF CONCRETE/ WATER CONTAMINANTS.
- CONTRACTOR TO FIELD IDENTIFY "BMP"s (BEST MANAGEMENT PRACTICES) PER SITE CONDITIONS. AND REFER TO CURRENT VERSION OF STORMWATER "BMP" MANUAL FOR SPECIFIC SCHEDULES OR DETAILS NOT SPECIFIED IN THIS PLAN.

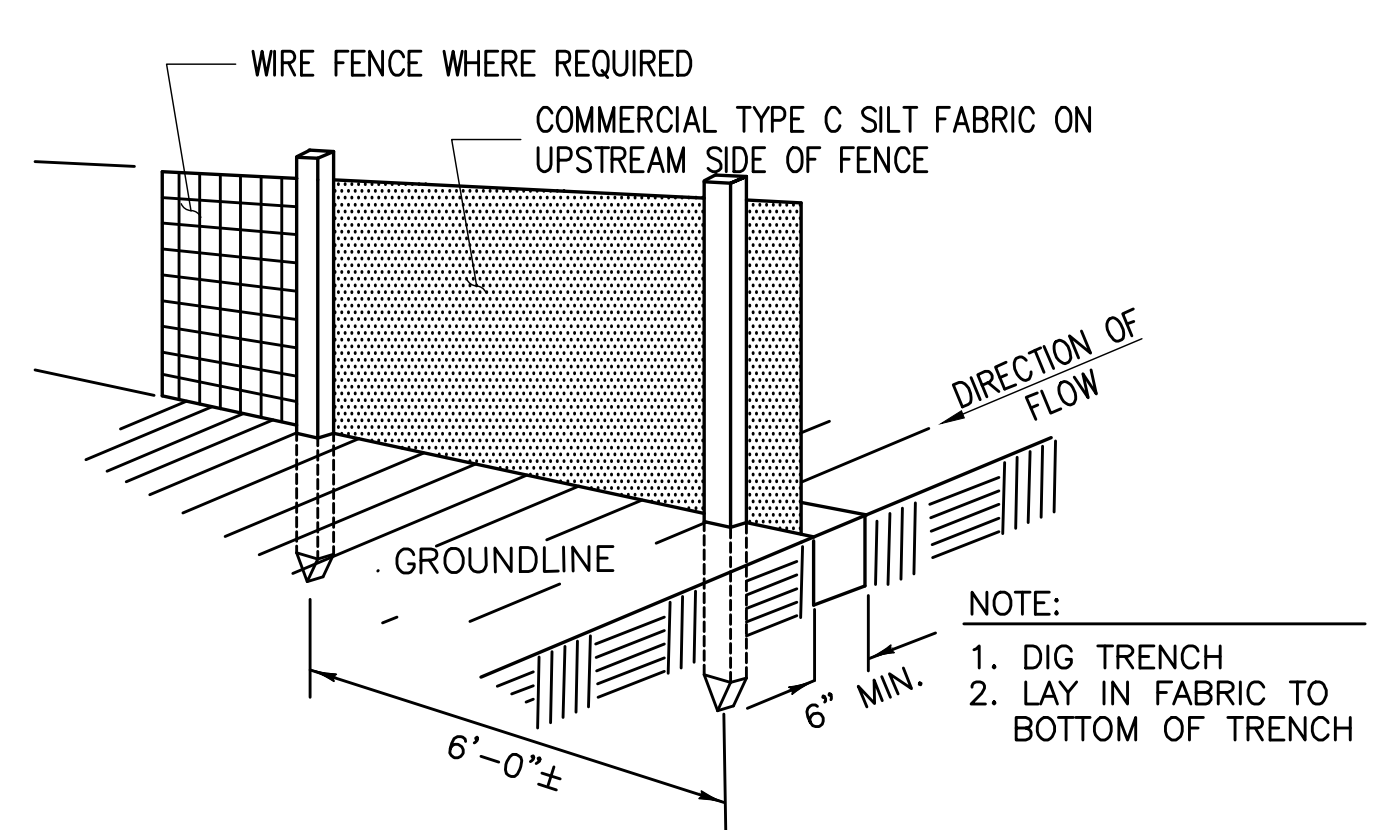
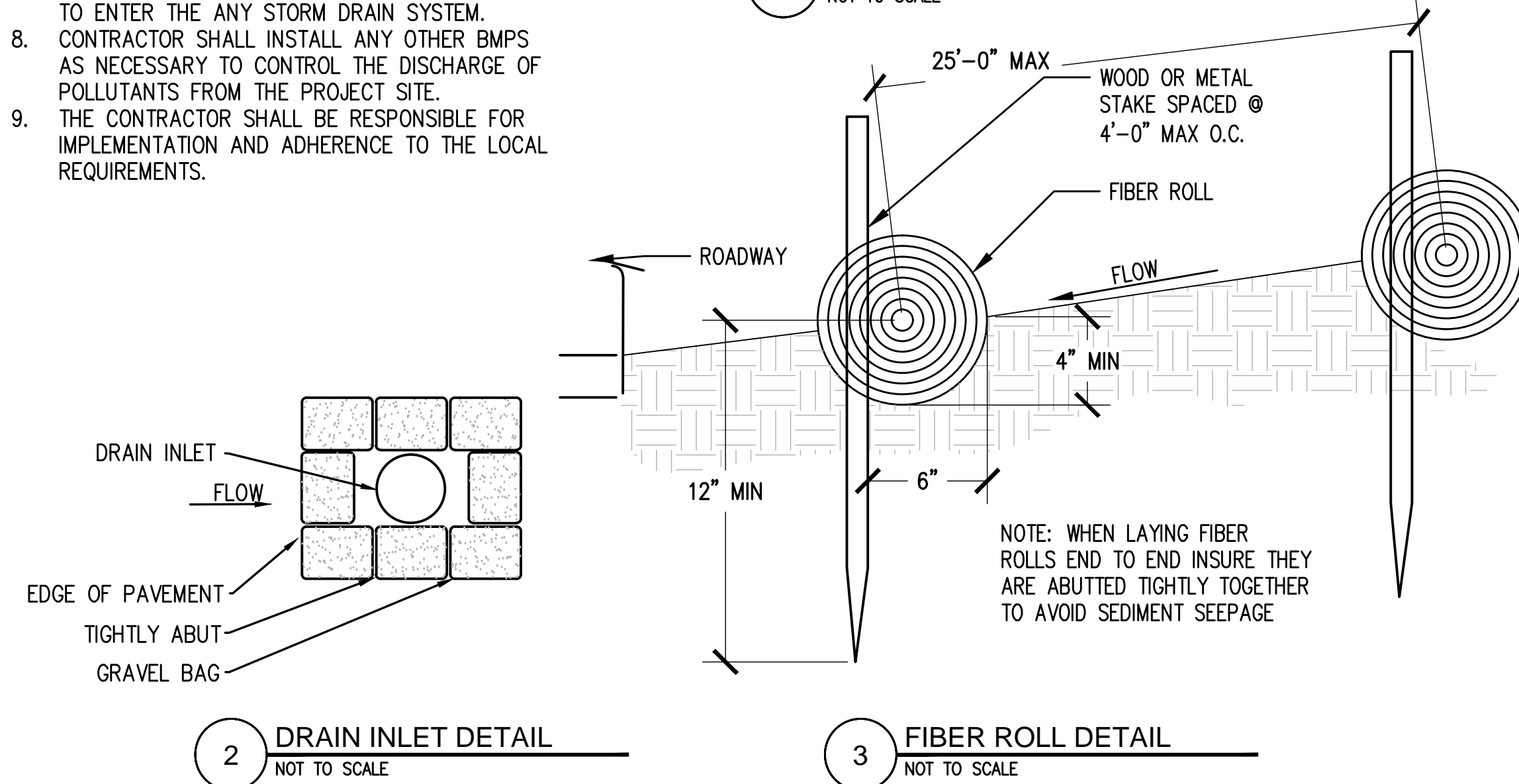
### STORM WATER QUALITY NOTES:

- CONTRACTOR SHALL PROVIDE DRAIN INLET PROTECTION FOR ALL CATCH BASINS LOCATED IN THE VICINITY OF WORK. THIS INCLUDES ANY CATCH BASINS IN THE PUBLIC RIGHT-OF-WAY, AS WELL AS ANY ON-SITE CATCH BASINS ON PRIVATE PROPERTY.
- CONTRACTOR SHALL INSTALL A STABILIZED CONSTRUCTION ENTRANCE/EGRESS FROM PROJECT SITE TO PREVENT TRACK-OUT OF SEDIMENT ONTO THE PUBLIC RIGHT-OF WAY FROM CONSTRUCTION VEHICLES.
- CONTRACTOR SHALL ENSURE THAT CONSTRUCTION ACTIVITIES DO NOT DEPOSIT SEDIMENT ONTO THE PUBLIC ROADWAY, SIDEWALKS AND GUTTERS. ALL SEDIMENT AND CONSTRUCTION DEBRIS MUST BE REMOVED BY THE END OF EACH WORKING DAY. CONTRACTOR SHALL USE STREET SWEEPING OR OTHER DRY SWEEPING METHOD, AS NECESSARY, TO REMOVE CONSTRUCTION OR DEMOLITION-RELATED SEDIMENT FROM PUBLIC SIDEWALKS, GUTTERS AND ROADWAY.
- CONTRACTOR SHALL SCHEDULE WORK FOR DRY-WEATHER DAYS WHEN NO RAIN IS IN THE IMMEDIATE FORECAST.
- CONTRACTOR SHALL INSTALL AN APPROVED WASH-OUT STRUCTURE AT THE CONSTRUCTION SITE. ALL CONCRETE, PAINT, STUCCO AND OTHER LIQUIDS WILL BE WASHED OUT IN THIS AREA. CONTRACTOR SHALL PROVIDE DUST CONTROL TO PREVENT THE NUISANCE OF BLOWING DUST WITHOUT CAUSING SEDIMENT, DEBRIS, OR LITTER TO ENTER THE ANY STORM DRAIN SYSTEM. CONTRACTOR SHALL INSTALL ANY OTHER BMPs AS NECESSARY TO CONTROL THE DISCHARGE OF POLLUTANTS FROM THE PROJECT SITE.
- THE CONTRACTOR SHALL BE RESPONSIBLE FOR IMPLEMENTATION AND ADHERENCE TO THE LOCAL REQUIREMENTS.



- NOTES:
- ACTUAL LAYOUT DETERMINED IN THE FIELD.
  - THE CONCRETE WASHOUT SIGN SHALL BE INSTALLED WITHIN 32' OF THE TEMPORARY CONCRETE WASHOUT FACILITY.

1 CONCRETE WASHOUT DETAIL NOT TO SCALE



CONSTRUCTION NOTES FOR FABRICATED SILT FENCE

- WOVEN WIRE FENCE TO BE FASTENED SECURELY TO FENCE POSTS WITH WIRE TIES OR STAPLES.

POSTS: STEEL EITHER T OR U TYPE OR 4" HARDWOOD. MINIMUM LENGTH - 5 FEET
- FILTER CLOTH TO BE FASTENED SECURELY TO WOVEN WIRE FENCE WITH TIES SPACED EVERY 24" AT TOP AND MID SECTION.

FENCE: WOVEN WIRE, 14 GA. 6" MAX. MESH OPENING. AS DIRECTED BY MARYLAND DCR
- WHEN TWO SECTIONS OF FILTER CLOTH ADJOIN EACH OTHER THEY SHALL BE OVERLAPPED BY SIX INCHES AND FOLDED.

FILTER CLOTH: FILTER X, MIRAFI 100X' STABILINKA T140N OR APPROVED EQUAL.
- MAINTENANCE SHALL BE PERFORMED AS NEEDED AND MATERIAL REMOVED WHEN "BULDGES" DEVELOP IN THE SILT FENCE.

PREFABRICATED UNIT: GEOFAB, ENVIROFENCE OR APPROVED EQUAL.

4 TYPE C SILT FENCE DETAIL NOT TO SCALE

Issued For:

**GRIZZLY FLATS**

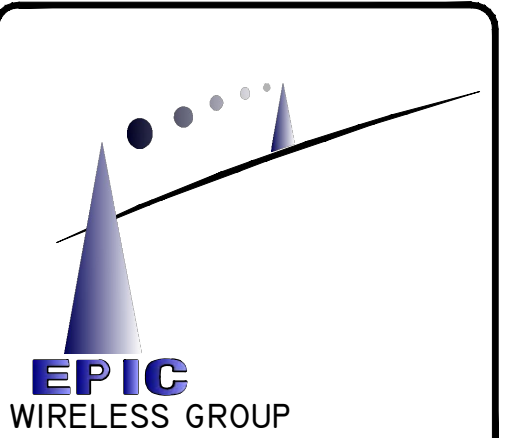
5060 SCIARONI RD.

GRIZZLY FLATS, CA 95363

PREPARED FOR



2600 Camino Ramon, 4W850 N  
San Ramon, California 94583



AT&T SITE NO: CVL03066

PROJECT NO: 13787675

DRAWN BY: CES

CHECKED BY: CES

REV	DATE	DESCRIPTION
0	04/25/17	ZD 90%
0	04/27/17	ZD 100%

licensor:



IT IS A VIOLATION OF LAW FOR ANY PERSON, UNLESS THEY ARE ACTING UNDER THE DIRECTION OF A LICENSED PROFESSIONAL ENGINEER, TO ALTER THIS DOCUMENT.

Engineer:

**ADAPTIVE RE-USE ENGINEERING**  
Craig Horner, PE 84674  
214-407-3184  
3112 LEATHA WAY  
SACRAMENTO, CA 95821  
craigmhorner@yahoo.com

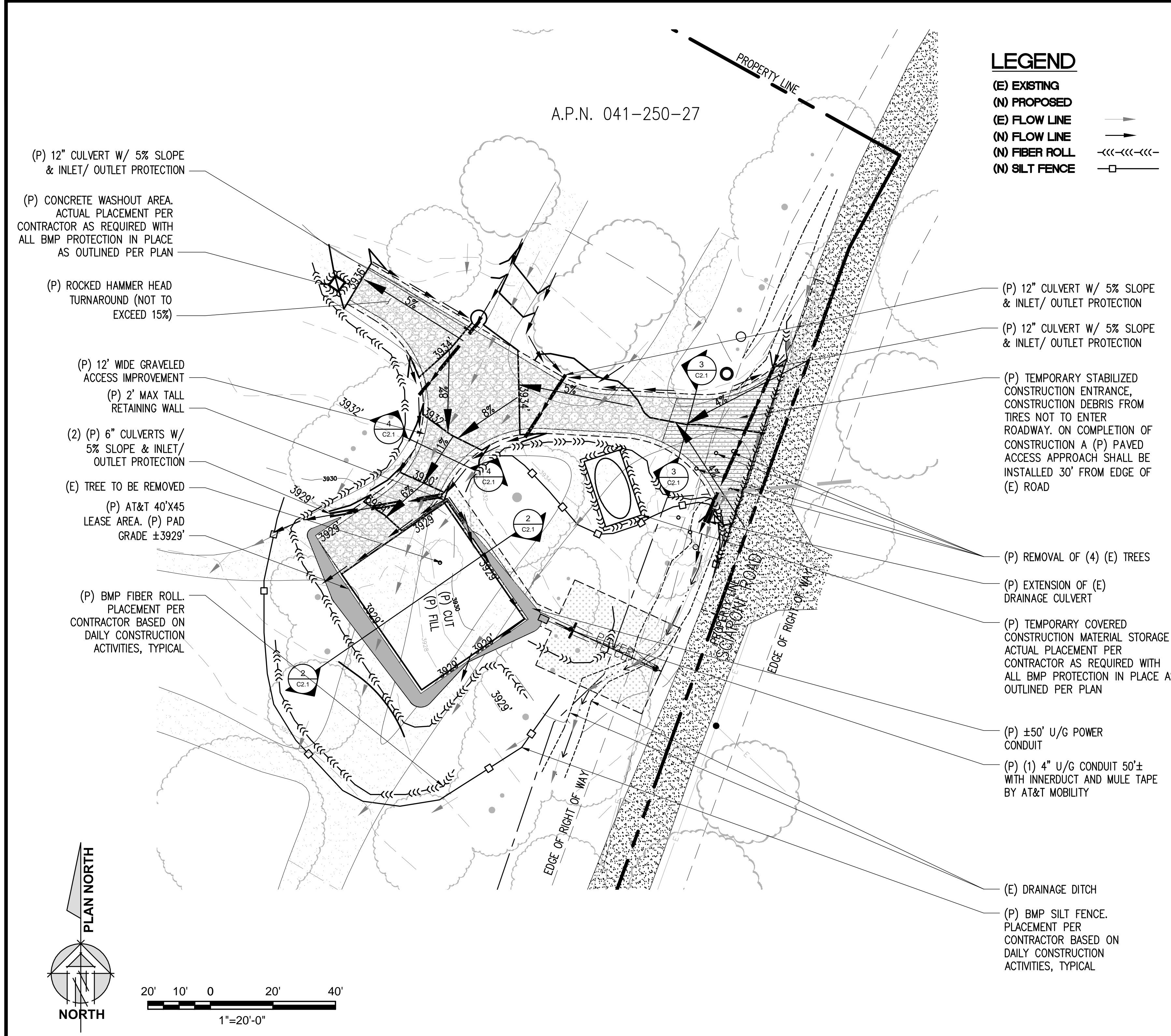
SHEET TITLE:

**EROSION CONTROL NOTES**

SHEET NUMBER:

**C-2**





**LEGEND**

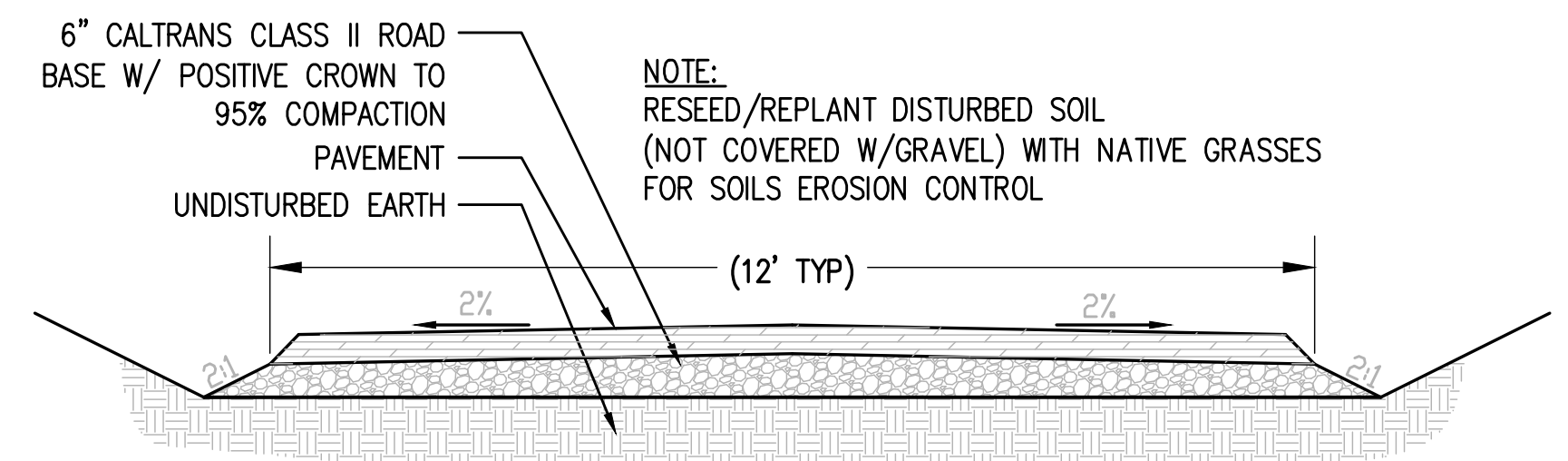
- (E) EXISTING
- (N) PROPOSED
- (E) FLOW LINE
- (N) FLOW LINE
- (N) FIBER ROLL
- (N) SILT FENCE

**CONSTRUCTION EROSION/ SEDIMENTATION CONTROL PLAN**

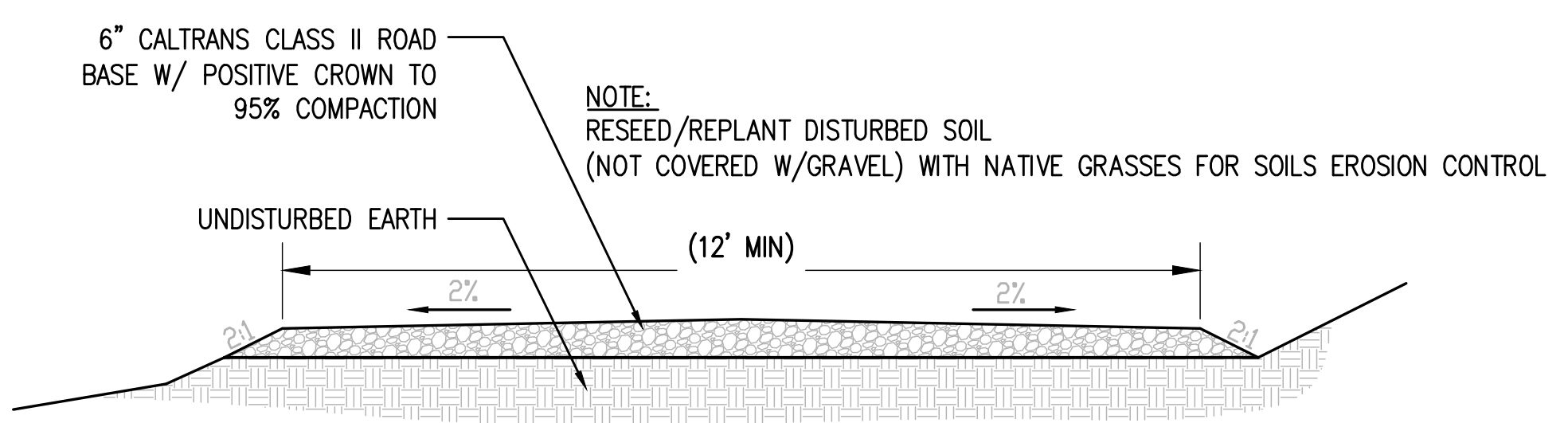
**NOTES:**

1. USE "BMP'S" AT ALL PHASES OF CONSTRUCTION.
2. GRAVEL BAGS WITH FIBER ROLLS AND SILT BARRIER AS NEEDED AND/OR BAG INLET FILTERS TO BE USED FOR INLET PROTECTION FROM CONSTRUCTION CONTAMINATES. CONTRACTOR TO FIELD IDENTIFY ALL CONDITIONS WHERE THIS MAY APPLY AND MAINTAIN DURING THE COURSE OF CONSTRUCTION. THIS SHALL APPLY TO THE LOCAL SITE ACTIVITY AS WELL AS ANY AREA TRAVELED EXTENDING TO THE POINT OF SITE ACCESS AND ONTO THE PUBLIC RIGHT OF WAYS. NO CONSTRUCTION DEBRIS MAY ENTER ANY STORM WATER DRAIN AT ANY TIME. THE CONTRACTOR SHALL IMPLEMENT MEASURES TO MONITOR THIS AT ALL TIMES DURING THE CONSTRUCTION PHASE.
3. ANY AND ALL STORED MATERIALS, INCLUDING BUT NOT LIMITED TO, EXCAVATED SOIL, IMPORTED ROCK, SAND OR GRAVEL, PAINT, CONCRETE, WOOD, METAL OR CONTAMINATED WATER SHALL BE STORED PROPERLY TO INSURE NO DISCHARGE OF CONTAMINATES.
4. REMOVE DIRT, DEBRIS AND WEEDS FROM PUBLIC SIDE WALK AREAS AND STORM DRAIN SYSTEMS AND ANY CONSTRUCTION MATERIALS OR DEBRIS TO AN APPROVED LOCATION AS ON A DAILY BASIS (OR AS DIRECTED BY THE CITY ENGINEER). A CONCRETE, STUCCO WASHOUT SHALL BE ON SITE AT ALL TIMES CONTRACTOR TO FIELD VERIFY LOCATION AND BEST METHOD TO PREVENT SPILLS AND DISCHARGE OF CONCRETE/WATER CONTAMINANTS.
5. CONTRACTOR TO FIELD IDENTIFY "BMP'S" (BEST MANAGEMENT PRACTICES) PER SITE CONDITIONS AND REFER TO CURRENT VERSION OF STORM WATER "BMP" MANUAL FOR SPECIFIC SCHEDULES OR DETAILS NOT SPECIFIED IN THIS PLAN.
6. INSTALL SEDIMENT LOGS AROUND CONSTRUCTION AREA TO KEEP DEBRIS ON PROPERTY.
7. PLACE GRAVEL BAGS AROUND NEARBY, DOWN STREAM STORM INLET(S) DURING CONSTRUCTION.
8. REPAIR OR REPLACE SPLIT, TORN UNRAVELING OR SLUMPING FIBER ROLLS. FIBER ROLLS TO BE STAKED 4' O.C. PARALLEL TO (E) CONTOURS.
9. INSPECT FIBER ROLLS WHEN RAIN IS FORECAST, DURING AND FOLLOWING RAIN EVENTS, AT LEAST DAILY DURING PROLONGED RAINFALL. FOR SPECIFIC MONITORING INTERVALS REFER TO THE CURRENT VERSION OF STORM WATER "BMP" MANUAL.
10. SEDIMENT SHOULD BE REMOVED WHEN SEDIMENT ACCUMULATION REACHES ONE-HALF THE DESIGNATED SEDIMENT STORAGE DEPTH, USUALLY ONE-HALF THE DISTANCE BETWEEN THE TOP OF THE FIBER ROLL AND THE ADJACENT GROUND SURFACE. SEDIMENT REMOVED DURING MAINTENANCE MAY BE INCORPORATED INTO THE EARTHWORK ON THE SITE OR DISPOSED AT AN APPROPRIATE LOCATION.
11. FILTER BARRIER SHALL BE CONSTRUCTED LONG ENOUGH TO EXTEND ACROSS THE EXPECTED FLOW PATH AND AS APPROVED BY THE LANDSCAPE INSPECTOR.
12. ON-SITE WATER TRUCK MAY BE REQUIRED FOR DUST MITIGATION.

**TRENCHING NOTES:**  
 1. TOTAL TRENCHING LENGTH FOR UNDER GROUND UTILITIES IS 90'±.  
 TOTAL CUBIC YARD OF MATERIAL REMOVED AND REPLACED FOR TRENCHING IS 30.00 CUBIC YARDS.

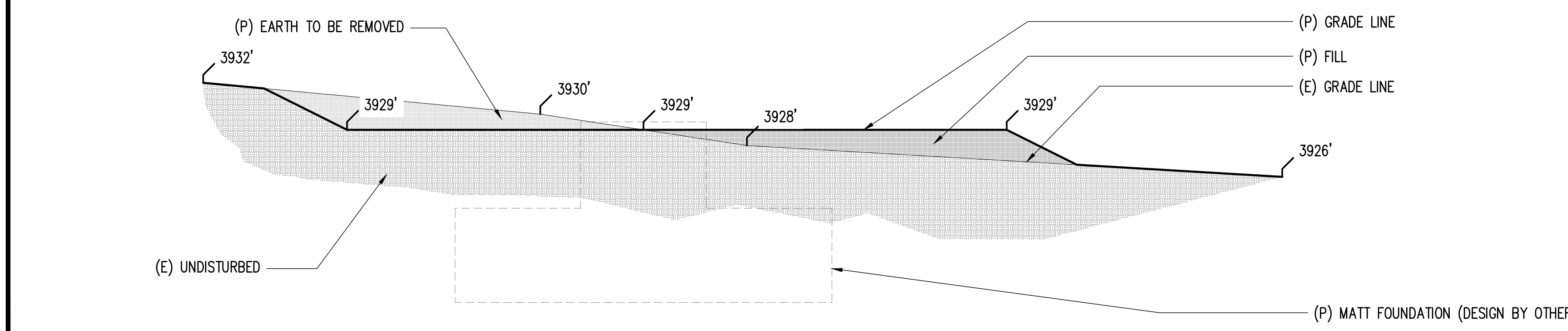


3 ACCESS ROAD DETAIL  
NOT TO SCALE



4 ACCESS ROAD DETAIL  
NOT TO SCALE

1 GRADING PLAN  
1"=20'-0"



2 PAD SECTION DETAIL  
3/16"=1'-0"

Issued For:  
**GRIZZLY FLATS**  
 5060 SCIARONI RD.  
 GRIZZLY FLATS, CA 95363

PREPARED FOR  
  
 2600 Camino Ramon, 4W850 N  
 San Ramon, California 94583

WIRELESS GROUP

AT&T SITE NO: CVL03066  
 PROJECT NO: 13787675  
 DRAWN BY: CES  
 CHECKED BY: CES

REV	DATE	DESCRIPTION
0	04/25/17	ZD 90%
0	04/27/17	ZD 100%

Licensors:

IT IS A VIOLATION OF LAW FOR ANY PERSON, UNLESS THEY ARE ACTING UNDER THE DIRECTION OF A LICENSED PROFESSIONAL ENGINEER, TO ALTER THIS DOCUMENT.

Engineer:  
**ADAPTIVE RE-USE ENGINEERING**  
 Craig Horner, PE 84674  
 214-407-3184  
 3112 LEATHA WAY  
 SACRAMENTO, CA 95821  
 craighorner@yahoo.com

SHEET TITLE:  
**GRADING PLAN AND DETAILS**

SHEET NUMBER:  
**C-2.1**







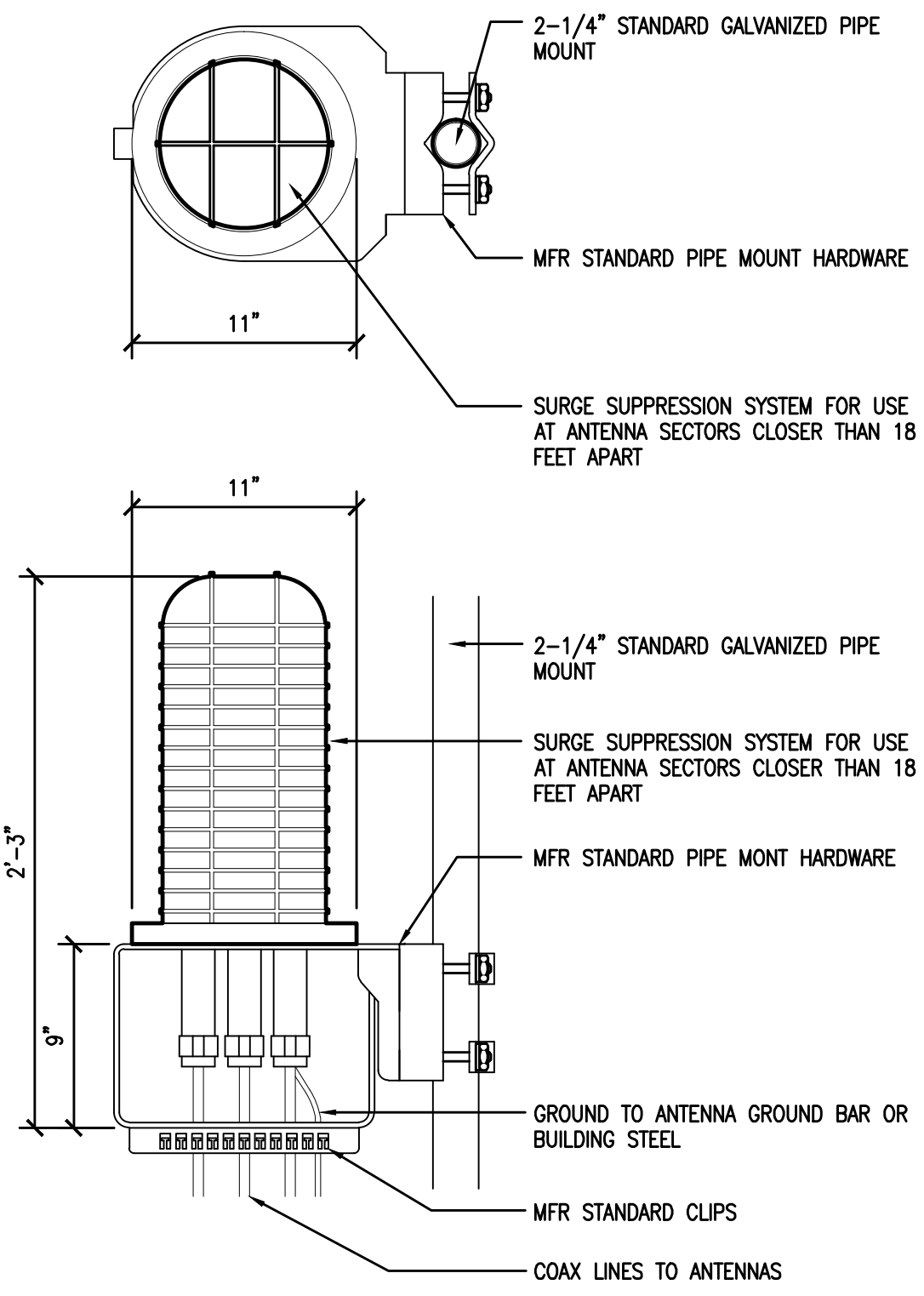






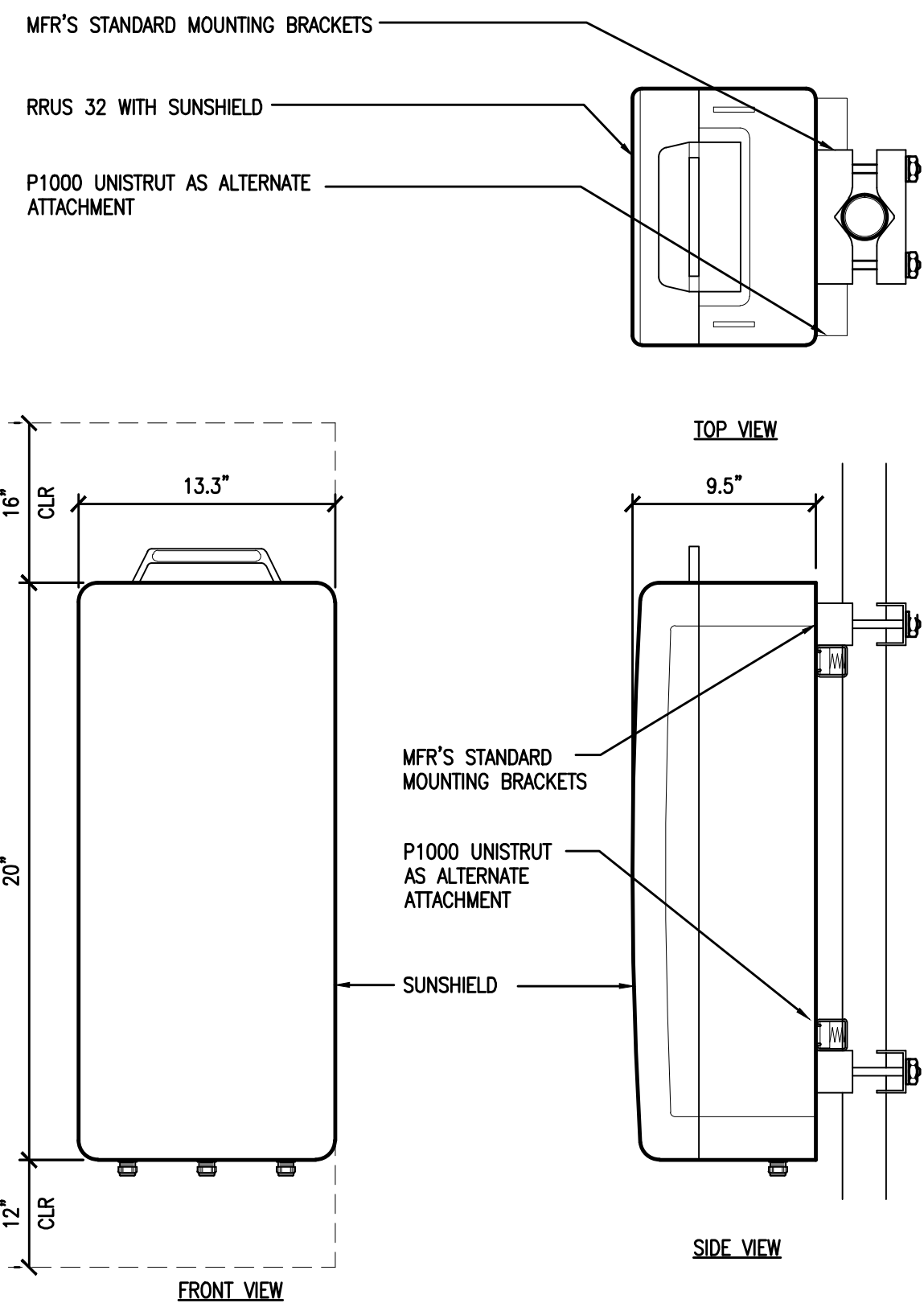


RAYCAP DC6-48-60-18-8F &  
DC6-48-60-0-8F SURGE SUPPRESSION  
SOLUTION  
COLOR: BLACK/SILVER  
DIMENSIONS: 11" DIA X 27" TALL W/ 9" BASE  
WEIGHT: +/- 50 LBS. (INCLUDING MOUNTING HARDWARE)



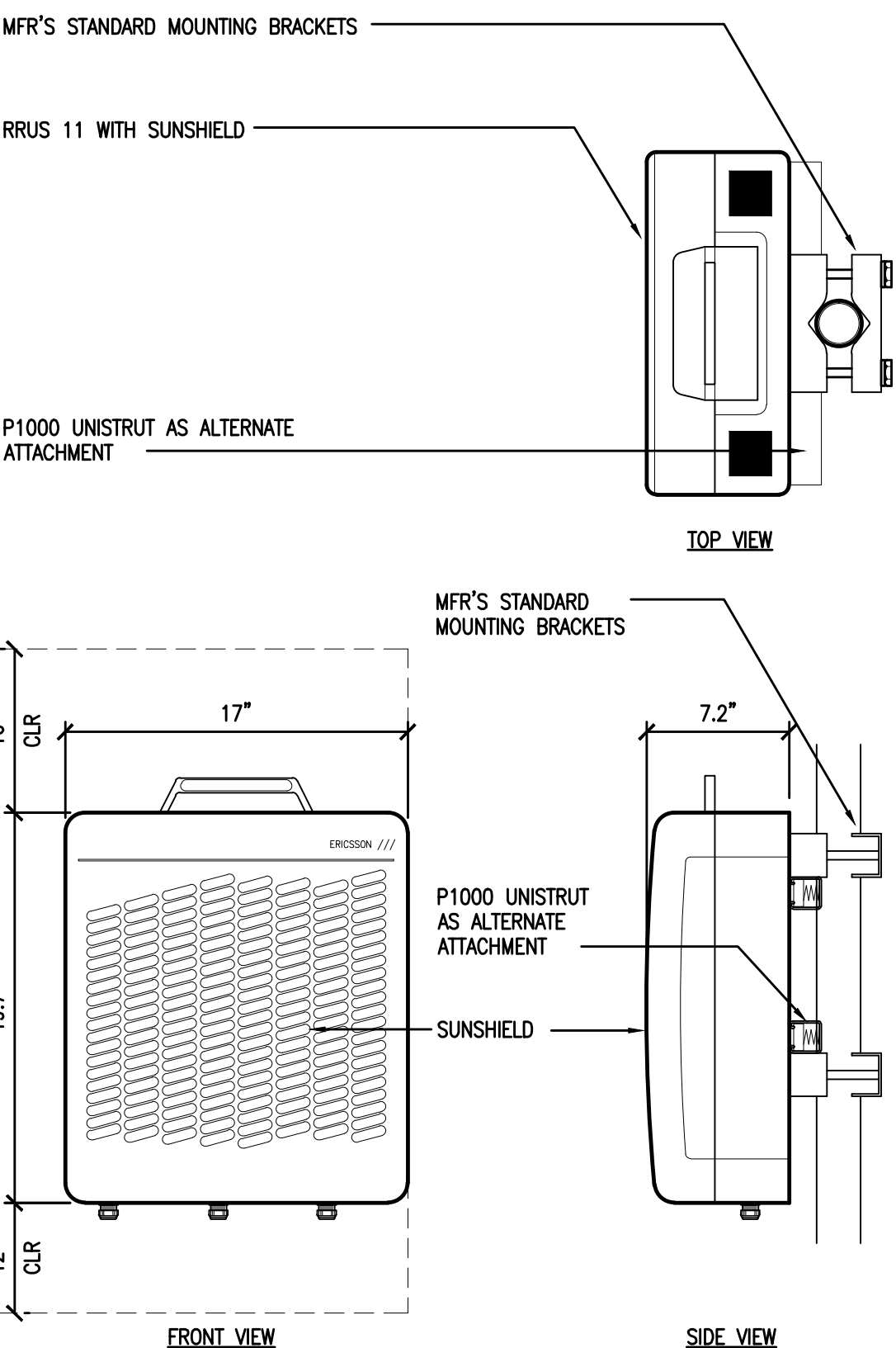
1 DC SURGE SUPPRESSION (SQUID)  
1 1/2"=1'-0"

ERICSSON WCS RRU-32  
MODEL: KRC161 423/1  
COLOR: WHITE  
DIMENSIONS: 29.9" TALL X 13.3" WIDE X 9.5" DEEP (INCLUDING SUNSHIELD)  
WEIGHT: +/- 77LBS. (INCLUDING MOUNTING HARDWARE)

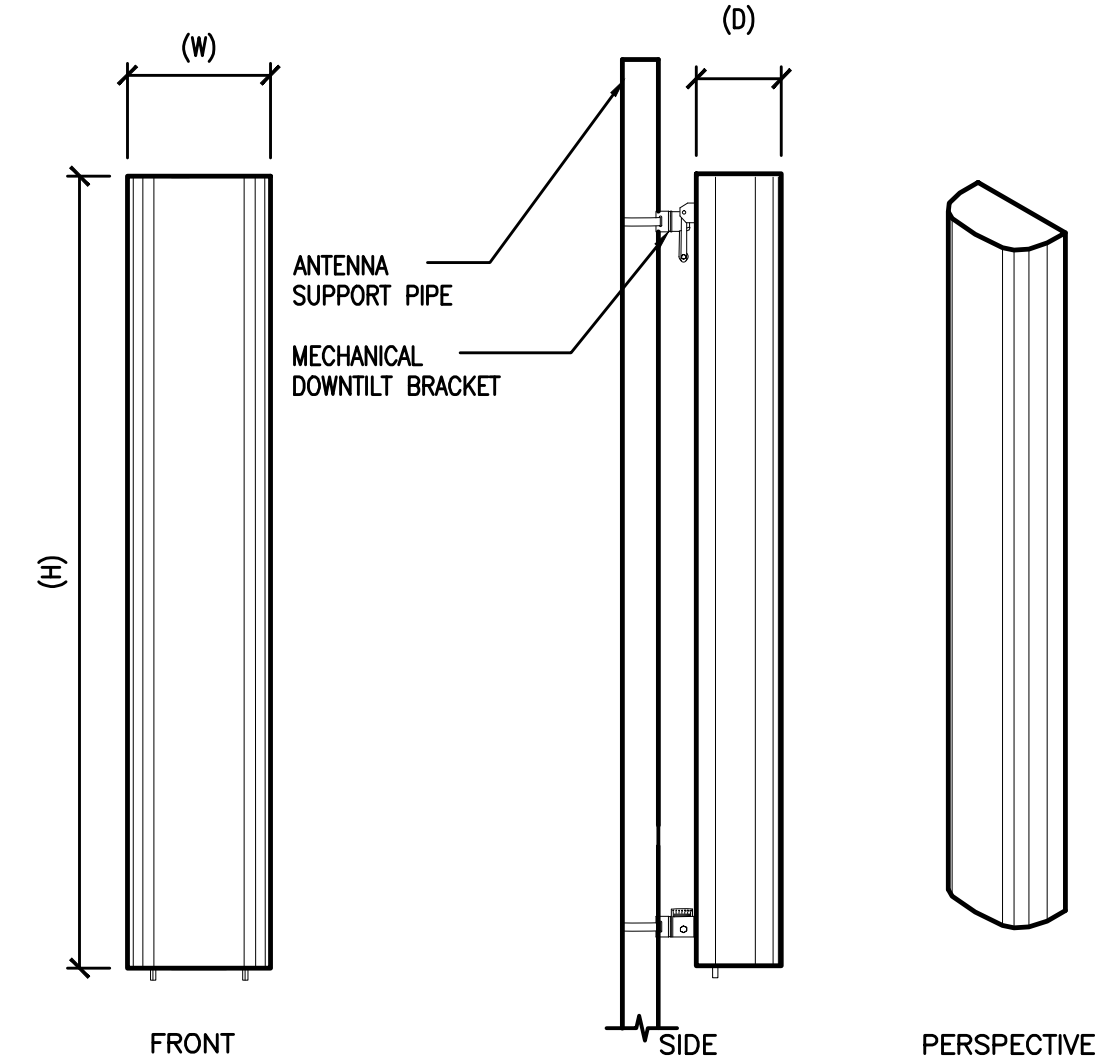


2 ERICSSON WCS RRUS-32 REMOTE RADIO UNIT  
1 1/2"=1'-0"

ERICSSON RRUS 11 REMOTE RADIO UNIT  
COLOR: WHITE  
DIMENSIONS: 19.7" TALL X 17" WIDE X 7.2" DEEP (INCLUDING SUNSHIELD)  
WEIGHT: +/- 50 LBS. (INCLUDING MOUNTING HARDWARE)



3 ERICSSON RRUS-11 REMOTE RADIO UNIT  
1 1/2"=1'-0"



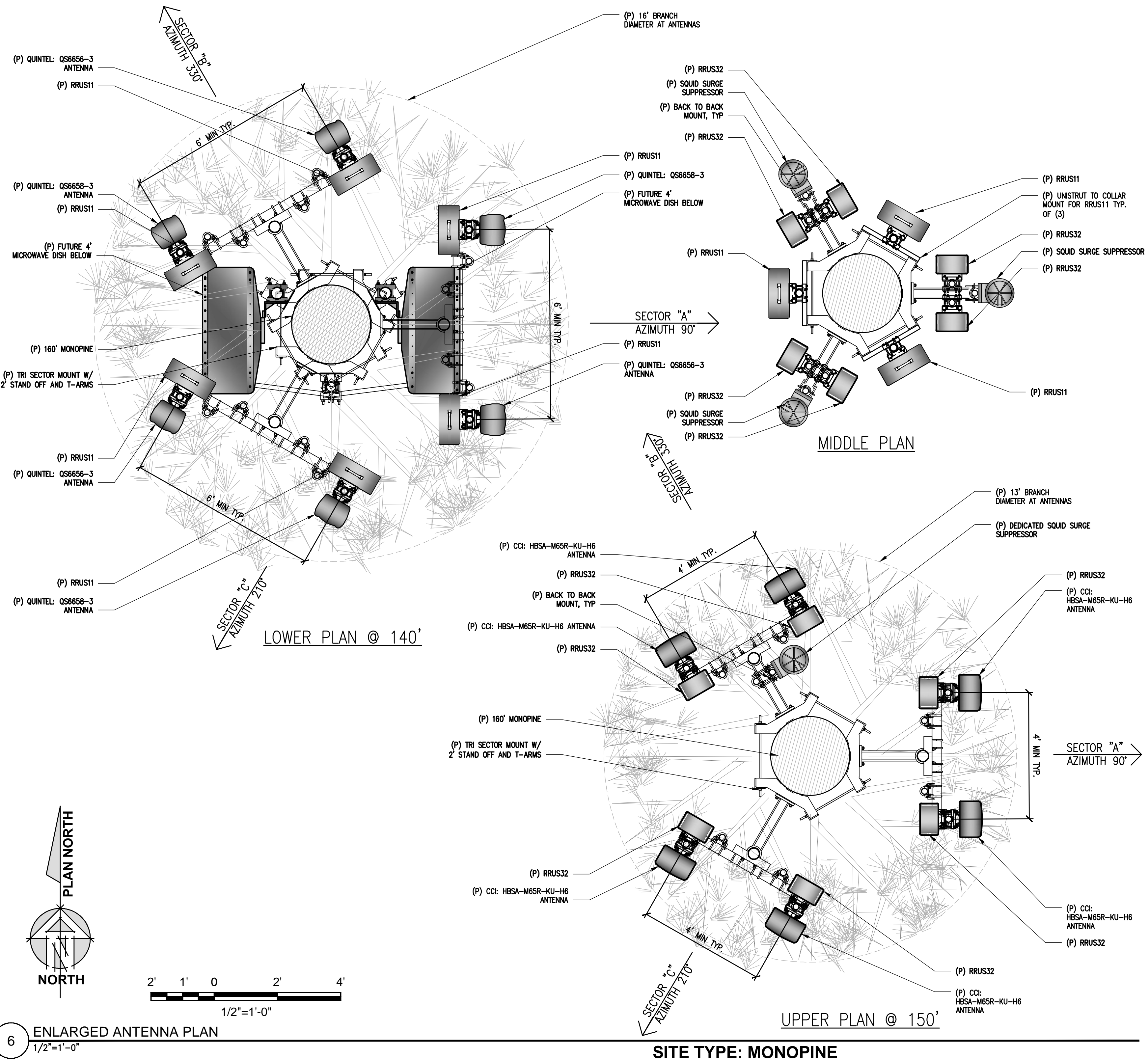
- ANTENNA = QUNTEL QS6656-3  
WIND AREA = 6 SQ.FT.  
WEIGHT = 65 LBS  
DIMENSIONS = 72" (H) x 12" (W) x 9.6" (D)
- ANTENNA = QUNTEL QS6658-3  
WIND AREA = 6 SQ.FT.  
WEIGHT = 77 LBS  
DIMENSIONS = 72" (H) x 12" (W) x 9.6" (D)
- ANTENNA = CCI HBSA-M65R-KU-H6  
WIND AREA = 6.5 SQ.FT.  
WEIGHT = 44.5 LBS  
DIMENSIONS = 68.1" (H) x 13.7" (W) x 8.5" (D)
- ANTENNA = CCI HBSA-M65R-KU-H6  
WIND AREA = 6.5 SQ.FT.  
WEIGHT = 45.6 LBS  
DIMENSIONS = 68.1" (H) x 13.7" (W) x 8.5" (D)

4 HEX ANTENNA SPEC  
3/4"=1'-0"

RF SCHEDULE									
SECTOR	ANTENNA MODEL NO.	AZIMUTH	RAD CENTER	RRU	TMA	FIBER LENGTH	COAX LENGTH	FIBER NO.	
A L F H A	A1	QS6656-3	90° ± 140'-0"	(1) RRU11 (1) RRU32	N/A	± 170'	± N/A	TRUNK 1	
	A2	QS6658-3	90° ± 140'-0"	(2) RRU11 (1) RRU32	N/A	± 170'	± N/A	TRUNK 1	
	A3	HBSA-M65R-KU-H6	90° ± 150'-0"	(1) RRU32	N/A	± 180'	± N/A	TRUNK 4	
	A4	HBSA-M65R-KU-H6	90° ± 150'-0"	(1) RRU32	N/A	± 180'	± N/A	TRUNK 4	
B E T A	B1	QS6656-3	330° ± 140'-0"	(1) RRU11 (1) RRU32	N/A	± 170'	± N/A	TRUNK 2	
	B2	QS6658-3	330° ± 140'-0"	(2) RRU11 (1) RRU32	N/A	± 170'	± N/A	TRUNK 2	
	B3	HBSA-M65R-KU-H6	330° ± 150'-0"	(1) RRU32	N/A	± 180'	± N/A	TRUNK 4	
	B4	HBSA-M65R-KU-H6	330° ± 150'-0"	(1) RRU32	N/A	± 180'	± N/A	TRUNK 4	
G A M M A	C1	QS6656-3	210° ± 140'-0"	(1) RRU11 (1) RRU32	N/A	± 170'	± N/A	TRUNK 3	
	C2	QS6658-3	210° ± 140'-0"	(2) RRU11 (1) RRU32	N/A	± 170'	± N/A	TRUNK 3	
	C3	HBSA-M65R-KU-H6	210° ± 150'-0"	(1) RRU32	N/A	± 180'	± N/A	TRUNK 4	
	C4	HBSA-M65R-KU-H6	210° ± 150'-0"	(1) RRU32	N/A	± 180'	± N/A	TRUNK 4	

5 RF SCHEDULE  
NOT TO SCALE

RF DATA SHEET v1.00.00 DATED 02/15/17



6 ENLARGED ANTENNA PLAN  
1/2"=1'-0"

SITE TYPE: MONOPINE

Issued For:  
**GRIZZLY FLATS**  
5060 SCIARONI RD.  
GRIZZLY FLATS, CA 95363

PREPARED FOR  
**at&t**  
2600 Camino Ramon, 4W850 N  
San Ramon, California 94583

**EPIC**  
WIRELESS GROUP

AT&T SITE NO: CVL03066  
PROJECT NO: 13787675  
DRAWN BY: CES  
CHECKED BY: CES

REV	DATE	DESCRIPTION
0	04/25/17	ZD 90%
0	04/27/17	ZD 100%

Licensor:  
**CRAIG M. HORNER**  
REGISTERED PROFESSIONAL ENGINEER  
No. 84674  
STATE OF CALIFORNIA  
CIVIL

IT IS A VIOLATION OF LAW FOR ANY PERSON, UNLESS THEY ARE ACTING UNDER THE DIRECTION OF A LICENSED PROFESSIONAL ENGINEER, TO ALTER THIS DOCUMENT.

Engineer:  
**ADAPTIVE RE-USE ENGINEERING**  
Craig Horner, PE 84674  
214-407-3184  
3112 LEATHA WAY  
SACRAMENTO, CA 95821  
craigmhorner@yahoo.com

SHEET TITLE:  
**ANTENNA PLAN & DETAILS**

SHEET NUMBER:  
**A-3**











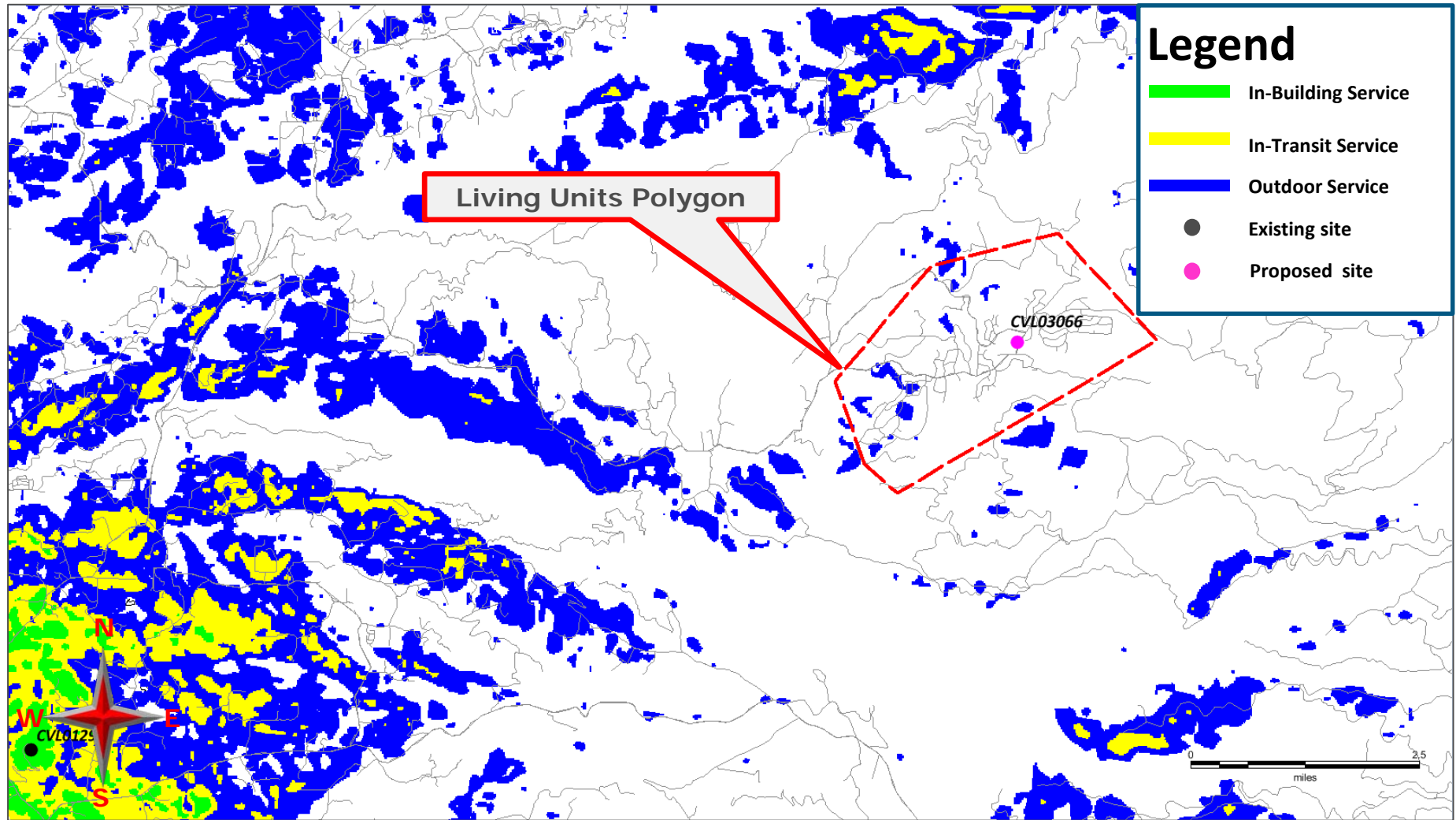
# CVL03066 Zoning Propagation Map

*March 8<sup>th</sup> , 2017*



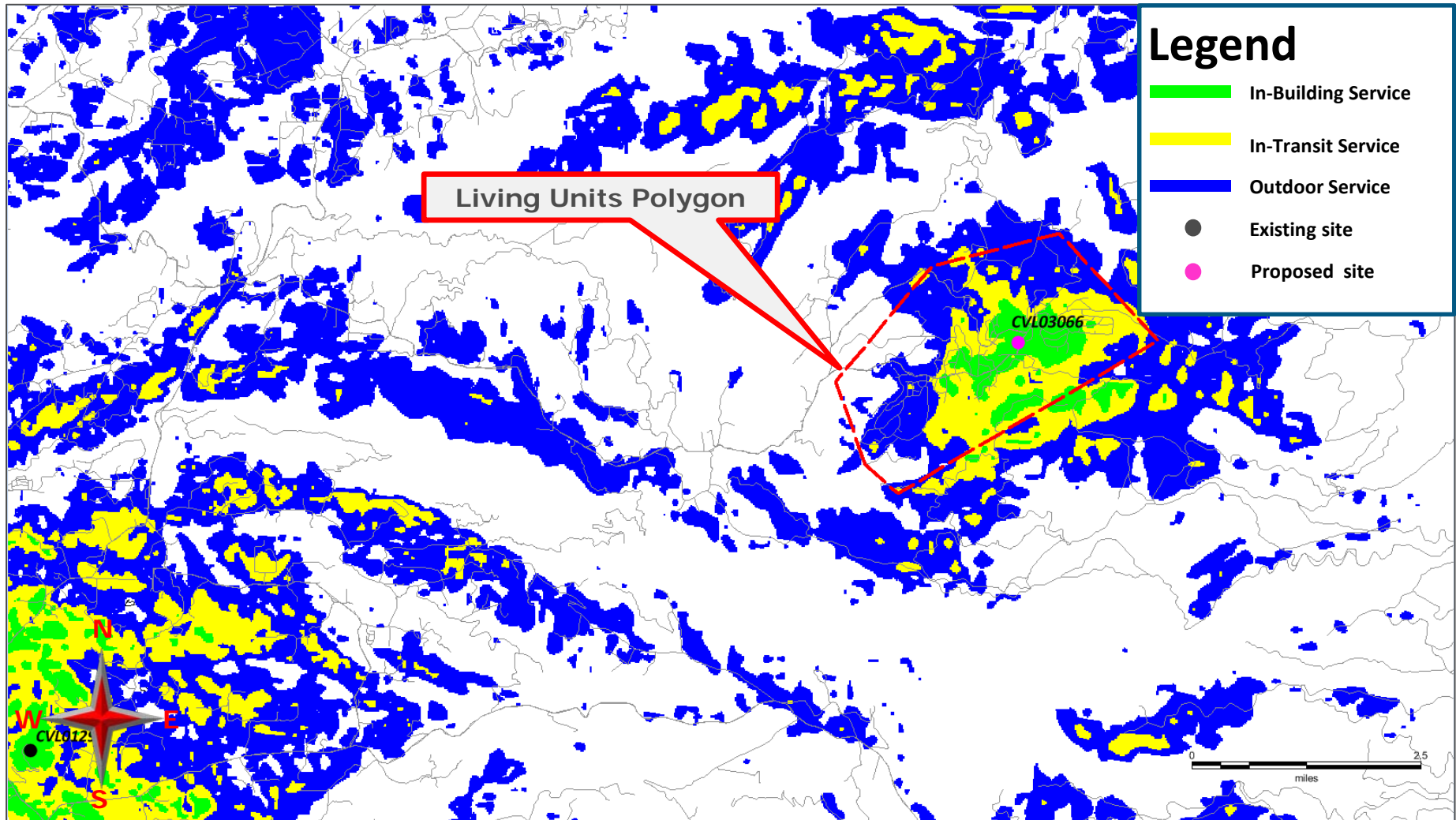


# Existing LTE 700 Coverage





# Existing LTE 700 Coverage With CVL03066 @ RC – 150ft Supports 392 LU's







on Behalf of



### Search Ring's Description and Objectives:



AT&T Mobility is proposing to build and maintain an unmanned wireless telecommunication facility consisting of a 40' x 45', 1,800 square foot enclosed compound (lease area). The compound will include a 160 foot Stealth Monopine tower, one equipment shelter, one 35kw standby propane generator, and one 500 gallon propane tank. This facility will be located at 5060 Sciaroni Rd, Grizzly Flats, within El Dorado County's jurisdiction in a 10.71 acre R1A zone. The site is approximately 1,600 feet west of Grizzly Creek and the area consists of oak trees, evergreen trees, and rolling hills with rocky terrain.

AT&T's objective for the Grizzly Flats site is to provide wireless hi-speed broadband internet to a minimum of 207 LU's and cellular services to the nearby residences. This site is to provide hi-speed internet and enhanced cellular coverage & capacity to the Grizzly Flats community, surrounding the search ring, which is a relatively dense underserved areas. The site location's elevation is approximately 3,929 feet while the surrounding community's elevation averages around 3,800 feet, giving the homes within the community great potential for line of site to the tower. After running a coverage simulation at the site location, AT&T is anticipating meeting and beating their FCC objective for this search ring by covering 392 homes; 185 more homes than their FCC obligation.

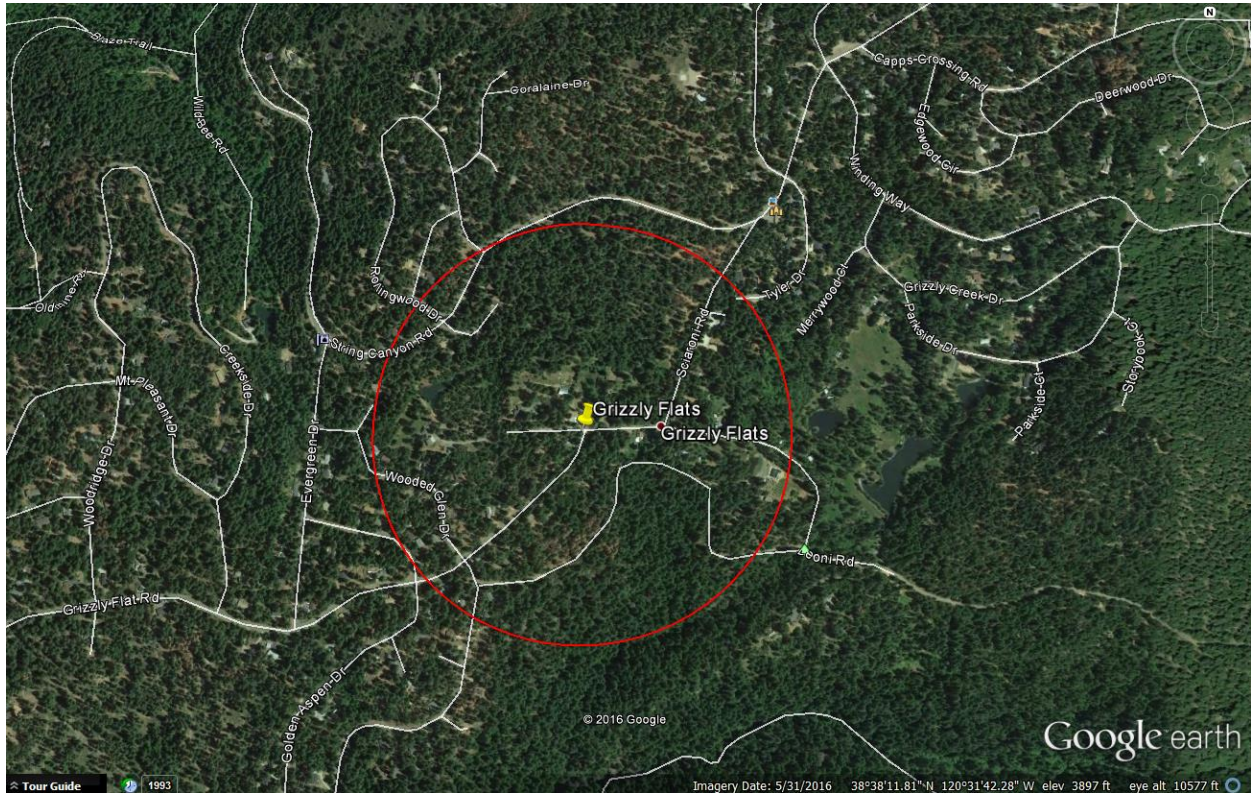




on Behalf of



**Potential Co-locations:**



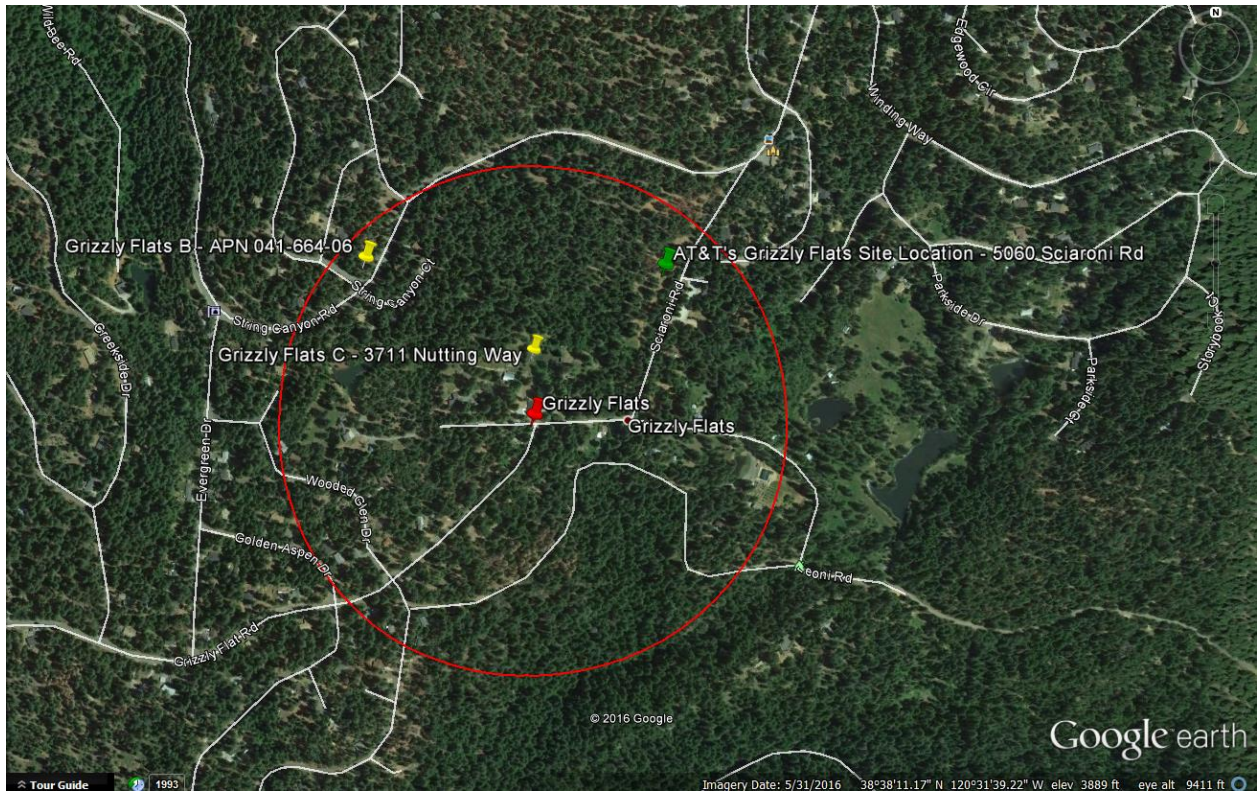
There are no potential Co-location opportunities in the near vicinity of the provided Search Ring. The targeted area is a relatively low populated area, therefore, typical cellular services are less prone to be present.





on Behalf of

**Alternative Site Analysis pursuant to 17.14.210 (B) (1):**



Above is a map showing the Search Ring (center is the red pin), Proposed Site (green pin) and the two alternative sites (yellow pins) that were considered for placement of the telecommunications facility. Each Alternative Site is discussed below:





on Behalf of



**Grizzly Flats Alternative Candidate B:**

**APN: 041-664-06 (No Physical Address)**

**Latitude/Longitude: 38.639346, -120.531632**

**Proposal – New Tower**



**Considerations:**

Candidate B is located approximately 1,170 feet north-west of the center of AT&T's search ring. The proposed tower would be located on a 0.27 acre, R1A zoned property owned by Margaret Katz. The property is located on Spring Canyon Rd and the site was proposed on the south side of the property. Candidate B was chosen as AT&T's second preferred candidate as the RF Engineer's simulation yielded fewer LU's than the subject site located at 5060 Sciaroni Rd. (Subject Parcel).





on Behalf of



**Grizzly Flats Alternative Candidate C:**

**3711 Nutting Way, Grizzly Flats, CA 95636**

**Latitude/Longitude: 38.637018, -120.529072**

**Proposal – New Tower**



**Considerations:**

Candidate C is located approximately 355 feet north of the center of AT&T's search ring. The proposed tower would be located on a 0.55 acre, R1A zoned property owned by Thomas and Eden Nutting. The property is located on the north side of Grizzly Flats Rd. and the site was proposed in the center of the property. Candidate C was chosen as AT&T's third preferred candidate as the RF Engineer's simulation yielded fewer LU's than the subject site located at 5060 Sciaroni Rd. (Subject Parcel).





on Behalf of



**Actual View of the Proposed Location:**

The proposed lease area is located on the east side of the subject property. The site will not interfere with the existing use of the property. Access will be directly off of Sciaroni Rd. The site is elevated above the surrounding area and has great potential for line of site to the communities down below the subject parcel.





*Existing*



*Proposed*



Proposed AT&T  
Installation

*view from Sciaroni Road looking southwest at site*



CVL03066 Grizzly Flats D  
5060 Sciaroni Road, Grizzly Flats, CA  
Photosims Produced on 5-12-2017



*Existing*



*Proposed*



*view from Tyler Drive looking west at site*



CVL03066 Grizzly Flats D  
5060 Sciaroni Road, Grizzly Flats, CA  
Photosims Produced on 5-12-2017



*Existing*



*Proposed*



*view from Sciaroni Road looking southwest at site*



CVL03066 Grizzly Flats D  
5060 Sciaroni Road, Grizzly Flats, CA  
Photosims Produced on 5-12-2017



*Existing*



*Proposed*



*view from String Canyon Road looking south at site*



CVL03066 Grizzly Flats D  
5060 Sciaroni Road, Grizzly Flats, CA  
Photosims Produced on 5-12-2017



