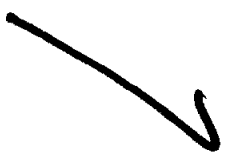




El Dorado, County Recorder  
 William Schultz Co Recorder Office  
**DOC- 2002-0011773-00**

Thursday, FEB 14, 2002 10:18:29  
 Ttl Pd \$7.00 Nbr-0000236070  
 LJP/C2/1-1



TYPE OF MAP ASSEMENT MAP DIST

BOOK 4 PAGE 112

REQUESTED BY:

EL DORADO COUNTY BOARD OF SUPERVISORS

DESCRIPTION:

**MISSOURI FLAT AREA 2002-1**

APN # 327:240:17 and 327:240:20

TOWNSHIP \_\_\_\_\_ RANGE \_\_\_\_\_ SECTION \_\_\_\_\_

RECORDING FEES:

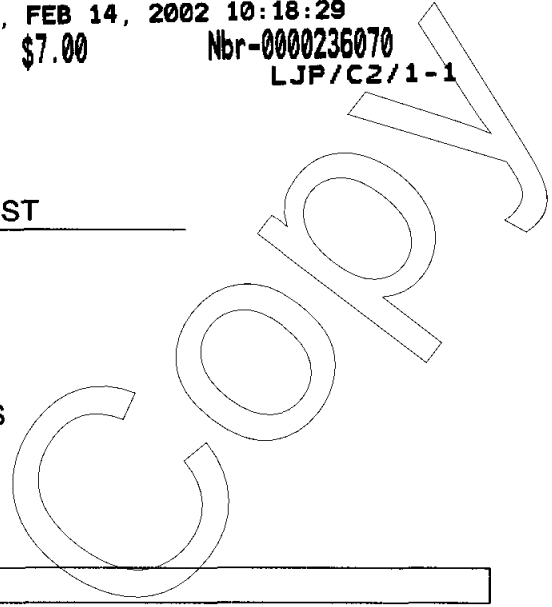
1<sup>ST</sup> PAGE \$7.00   
 EACH ADD'L PAGE \$3.00

COPY FEE:

1<sup>ST</sup> PAGE PAPER \$1.50   
 EACH ADD'L PAGE \$.80   
 1<sup>ST</sup> PAGE REPRO \$3.50   
 EACH ADD'L PAGE \$3.50   
 REDUCED COPIES \$1.10

COPY REQUEST EDC BOARD OF SUPERVISORS REGULAR  REDUCED   
EDC DEPT OF TRANSPORTATION

NO. OF SHEETS 1



PROPOSED BOUNDARIES OF  
**COMMUNITY FACILITIES DISTRICT NO. 2002-1**  
 (MISSOURI FLAT AREA)

COUNTY OF EL DORADO, STATE OF CALIFORNIA

FEBRUARY 2002

Sheet 1 of 1

EL DORADO VILLAGES  
 SHOPPING CENTER PROPERTY

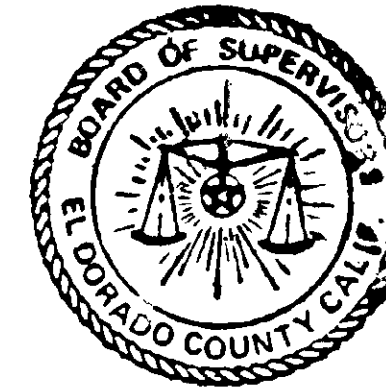
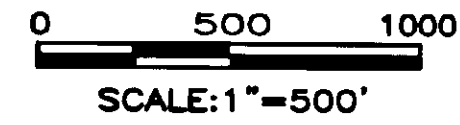
PARCEL	A.P.N.
C	327:130:30
D	327:130:49
E	327:130:47
F	327:130:36
G	327:130:43
H	327:130:37
I	327:130:44
J	327:130:45
K	327:130:46

PROSPECTOR PLAZA  
 SHOPPING CENTER PROPERTY

PARCEL	A.P.N.
L	327:290:58

WAL-MART PROPERTY

PARCEL	A.P.N.
A	327:240:17
B	327:240:20



LEGEND

COMMUNITY FACILITIES DISTRICT BOUNDARY

PARCEL DESIGNATION

A.P.N. ASSESSOR'S PARCEL NUMBER

CLERK'S FILING CERTIFICATE

FILED IN THE OFFICE OF THE CLERK OF THE BOARD OF SUPERVISORS THIS 5th DAY OF February, 2002.

DIXIE L. FOOTE  
 CLERK OF THE BOARD  
 OF SUPERVISORS

BY: *Margaret E. Moody*  
 Deputy Clerk

CLERK'S CERTIFICATE OF BOARD APPROVAL

I HEREBY CERTIFY THAT THE WITHIN MAP SHOWING PROPOSED BOUNDARIES OF COMMUNITY FACILITIES DISTRICT NO. 2002-1 (MISSOURI FLAT AREA) OF THE COUNTY OF EL DORADO, STATE OF CALIFORNIA, WAS APPROVED BY THE BOARD OF SUPERVISORS OF THE COUNTY OF EL DORADO AT A REGULAR MEETING THEREOF, HELD ON THE 12th DAY OF February 2002, BY ITS RESOLUTION NO. 042 - 02.

DIXIE L. FOOTE  
 CLERK OF THE BOARD  
 OF SUPERVISORS

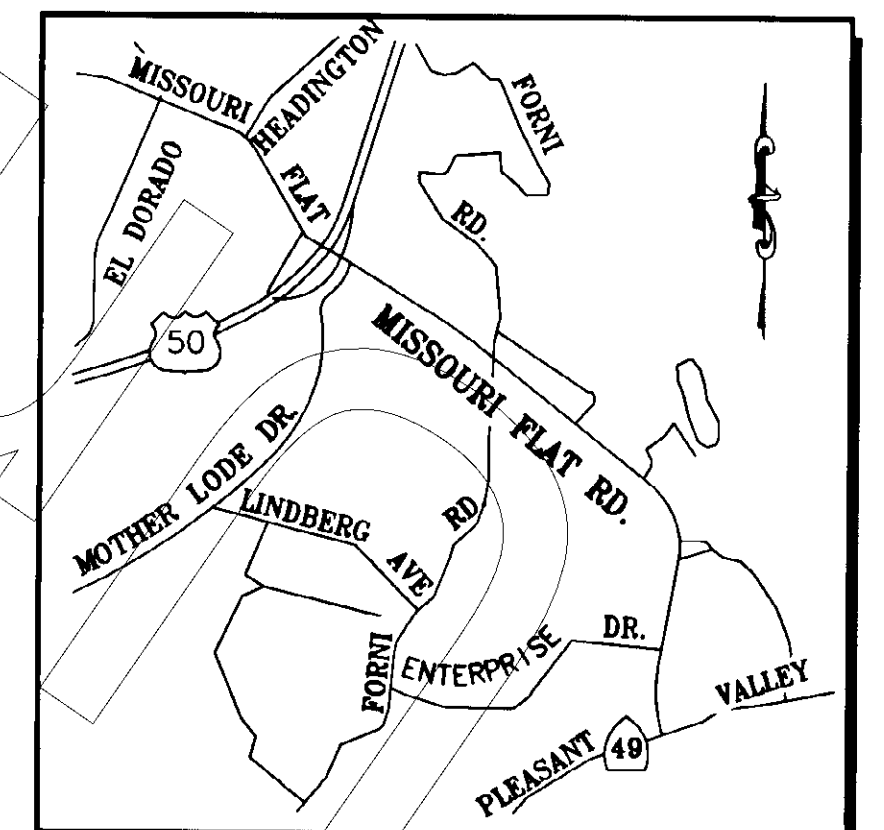
BY: *Margaret E. Moody*  
 Deputy Clerk

COUNTY RECORDER'S CERTIFICATE

FILED THIS 14 DAY OF February, 2002, AT THE HOUR OF 10:18 O'CLOCK A.M., IN BOOK 4 OF MAPS OF ASSESSMENT AND COMMUNITY FACILITIES DISTRICTS, AT PAGE 112, IN THE OFFICE OF THE COUNTY RECORDER IN THE COUNTY OF EL DORADO, STATE OF CALIFORNIA.

WILLIAM ("BILL") SCHULTZ  
 COUNTY RECORDER

BY: *Linda Pinelli*



VICINITY MAP (NTS)

4-112

4-112

4-112

4-112