




---

M E M O R A N D U M

---

**Date:** January 5, 2022

**To:** Lorina Pisi, Real Property Analyst A-45  
Technical Services, Lands Unit  
Department of Forestry and Fire Protection  
1131 S Street  
Sacramento, CA 95811-6524

**From:** Yolanda Villasenor, Telecommunications Systems Manager I (Supervisor)   
Public Safety Communications

**Subject:** CDF Radio Vault Space Application (TD-312) – New Lease  
El Dorado County Sheriff – L-1158  
Pine Hill, El Dorado County  
CDF-VLT 002204

---

A technical analysis of the attached TD-312, California Department of Forestry and Fire Protection (CDF), Radio Vault Space Application for the El Dorado County Sheriff has been completed. The El Dorado County Sheriff is requesting to establish a new lease with the California Department of Forestry and Fire Protection (CDF) for the following existing equipment in Vault F at the Pine Hill CDF radio facility:

- One (1) Codan VHF repeater, TX 159.555 MHz, RX 161.070 MHz
- One (1) Codan VHF repeater, TX 159.690 MHz, RX 161.565 MHz
- One (1) Codan VHF repeater, TX 151.100 MHz, RX 159.165 MHz
- One (1) Kenwood UHF, TX 463.050 MHz, RX 468.050 MHz

All four repeaters are connected to the site's VHF and UHF shared antenna systems.

An intermodulation (IM) interference study shows this equipment potentially contributing to IM interference to five existing receivers. However, since the equipment has been installed and operational for over ten years with no reported interference, no on-site interference measurements are required.

The CDF has requested verification of the amount of rack space used by this installation. This equipment uses all of Rack 28 and 2/3 of Rack 29. See attached Vault Layout drawing number 409170-060.

The El Dorado County Sheriff will use commercial and emergency power.

This technical evaluation addresses co-location and interference issues only and makes no claim as to MPE (Maximum Permissible Exposure) compliance of the proposed installation.

Lorina Pisi  
January 5, 2022  
Page 2

The Office of Emergency Services, Public Safety Communications Special Projects Unit has reviewed the information provided and finds no other technical reason to deny this application.

Based on information shown on the application the Office of Emergency Services, Public Safety Communications technically approves this application. If at any time interference becomes a problem, it will be the responsibility of the El Dorado County Sheriff to resolve.

Please contact Robert Bjorklund, Senior Telecommunications Engineer at (916) 894-5228 or by email at [robert.bjorklund@caloes.ca.gov](mailto:robert.bjorklund@caloes.ca.gov) if you have any questions.

Attachments

cc: Brian Kunz, Senior Telecommunications Engineer, Natural Resources Agency Unit

**RADIO VAULT SPACE APPLICATION****Non-State Users****TD 312 (Rev. 10/13)****TD-312: GENERAL INFORMATION & INSTRUCTIONS**

The State of California owns and or operates telecommunications facilities at numerous locations throughout the State for use by State agencies requiring radio communications. Space at these facilities is made available to other than State of California users when it is surplus to the State's requirements

The State must review, manage and engineer any proposed installations. Once a new, renewal or modification TD-312 application has been received by CAL FIRE and is reviewed administratively, it is forwarded to the Public Safety Communications Office (PSCO) for technical analysis. A study will be performed to determine the impact of the application on the existing users at the site. Based on the study, the technical analysis will include specific recommendations to CAL FIRE. If serious technical difficulties are found and cannot be remedied, -PSCO will recommend to CAL FIRE to cancel the TD-312 application. Should this occur, CAL FIRE will compare the amount of work performed by the state to the application fee paid. If warranted, state will issue a partial refund.

In cooperation with the applicant, the State will attempt to meet all users' operational requirements.

**Any subsequent labor time or material costs required for site engineering, antenna or combining system upgrades, or technician labor will be borne by the applicant at the PSCO current rates.** Applicants will be notified by CAL FIRE of the amount due prior to work being performed. No further processing of the application will take place until a written approval of these expenses, and payment, is received from the applicant.

**NOTE:** Modification of site-master antenna or combining systems may **NOT** be done by a tenant. Such modifications must be designed by -PSCO engineering and installed by PSCO-approved technician resources.

**PRIOR TO ADDITION OR DELETION** of any transmitting or receiving frequencies, antennas or equipment, submittal of this application and all related fees is required for **ALL** non-State users (*including new, pending, previous and current tenancy/occupancy*). Approval is required by CAL FIRE **prior** to the proposed changes taking place in the facility

After filling out the attached application, sign the form on Page 6, and include the appropriate application fee. The following checklist will assist you in submitting all required items:

**COMPLETE AND SIGNED APPLICATION**

- Applicant SIGNATURE on Page 7  
(page 8 is the first page of the technical application, pages 1-5 contain instructions and restrictions)
- Pages 6 – 7, Request and Contact Info
- Pages 8 – 10, Technical Data sheets
- Attach additional information sheets as needed

**REQUIRED FEES** technical analysis fee is required with TD-312 submittal.

**CATEGORY: 2-way RF, Telemetry**

\$2,500 Technical Analysis

**CATEGORY: Commercial Cellular, Wireless Internet, Broadcasters, Microwave**

\$5,000 Technical Analysis

**LEASE SERVICES REQUIRED**

New Lease       Renewal       Amendment

**LEASE DOCUMENT REQUESTED**

Tower and Vault       Tower       Vault       Ground Lease       Other \_\_\_\_\_

Application Sheets are used to gather the appropriate administrative information to process the TD-312. These sheets must be completed, signed and accompanied with the Technical Data Sheets.

Applicant: El Dorado County Sheriff  
(organization name)  
200 Industrial RP  
(address)  
Placerville CA 95667  
(city, state, zip)  
530-621-5655  
(telephone number)  
POST # of EDSO-ORG  
(email address)

In accordance with the attached Technical Data Sheet(s), application is hereby made to:

- Establish New Lease  
 Modify/Amend Lease (describe specific changes):  
(attach additional sheet if more space is required)

- Renew lease with modification as stated:  
(attach additional sheet if more space is required)

- Renew lease (no changes, technical sheets must be completed)

- Lease \_\_\_\_\_ square feet → 2 RACK SPACES

For vault space and related antenna space at PINE HILL 6-1158  
(site name)

Power requirements for operations of communications equipment are:

- Commercial and emergency power  
 Commercial power only  
 No power required.

**NOTE:** Some radio vault facilities provide commercial and emergency power to each rack space without exception, and the tenant will be charged accordingly.

**Person responsible for lease negotiations and submission of this application:**

FRANK YOST  
(name)  
200 Industrial RP  
(address)  
Placerville CA 95667  
(city, state, zip)  
530-642-4944  
(telephone number)  
YOST F at FDSO.org  
(email address)

**Billing Information:**

Applicant: EL DORADO Sheriff Dept  
(name)  
200 Industrial RP  
(address)  
Placerville CA 95126  
(city, state, zip)  
530-621-5655  
(telephone number)  
YOST F at FDSO.org  
(email address)

It is understood that if any subsequent on-site testing is required, it will be charged to the lessee at the current rate determined by the State. In addition, any required engineering or technician labor charges or parts procurement expenses, plus a program management fee, will be re-billed to the lessee at the current rates being charged by the State. Prior to these charges being incurred, a written estimate and acceptance document will be forwarded to the applicant for review and signature.

Applicant: EL DORADO Sheriff  
By: FRANK YOST  
Title: COMMUNICATIONS MANAGER  
Date: 8-11-21

Receipt of a non-refundable application fee in the amount of \$ \_\_\_\_\_ is hereby acknowledged.

STATE OF CALIFORNIA

By: \_\_\_\_\_  
Date: \_\_\_\_\_

NOTE: A fee will be required when this agreement is renewed for a new term or when changes are made to an existing agreement and the preparation of a new lease agreement is required.

**TECHNICAL DATA SHEETS**

Data submitted on the Technical Data Sheets is used by the PSCO engineers to perform a study to determine the impact of the application on the existing users at the site. Please complete these sheets in its entirety and provide required information. Existing tenants must reflect the tenants installed equipment and equipment changes (new installations, removals, etc.).

Site Name: PAINE HILL Date: 8-11-21  
County: EL DO RADO CO

The following technical data is submitted in conjunction with a request for vault space.

If this is a land lease application for Cellular, applicant must provide plot plans, construction drawings and a written description of proposed land use.

Person responsible for technical operation of this station (person who can provide technical details):

FRANK COST  
(name)  
200 Industrial P.P.  
(address)  
Placerville CA 95667  
(city, state, zip)  
530-642-4944  
(telephone number)

Date equipment desired to be in operation: IS IN OPERATION  
(It should be noted that, due to engineering priorities, this application may require up to one (1) full year to process.)

Equipment is to operate in the FW Radio Service.  
FCC callsign of this installation: \_\_\_\_\_ (Include a copy of the FCC license) WQPC 203

Type of operation:  Base Station  Mobile Relay  Microwave Station  
 Other

Amount of rack space required to house equipment (in inches): 3 racks already installed

(NOTE: Unless otherwise authorized, all electronic equipment is to be mounted in 7'6" aluminum open-frame relay racks and fastened to the site's earthquake bracing and cable ladder system. One rack occupies 2' by 2' of floor space.)

Additional space desired to mount cavities, duplexers, batteries, etc.:  
 Wall Space  Floor Space \_\_\_\_\_ (HxWxD, inches)  
 Rack Space  Additional space not required

Space for battery facilities required, if any, including charger:  
 Wall Space  Floor Space \_\_\_\_\_ (HxWxD, inches)  
 Radio Rack  Not required

Maximum power consumption: TRANSMIT: 100 \_\_\_\_\_ Watts RECEIVE: 10 Watts at  
Voltage:  110 Volts AC x 12 volts DC  48 volts DC  
 Other \_\_\_\_\_

**EQUIPMENT DATA**

New Tenant: Provide data for each piece of equipment to be installed in each vault space and identify as **New (N)**.

Existing Tenant: Provide data for each piece of equipment currently installed and identify as **Existing (E)**. If adding or removing equipment; identify the appropriate action **New (N)**, **Removing (R)**.

**FREQUENCY INFORMATION: CELLULAR APPLICANTS MUST PROVIDE SPECIFIC CHANNELS TO BE USED (NOT THE BAND). IF SPECIFIC FREQUENCIES HAVE NOT BEEN PROVIDED THE APPLICATION WILL BE RETURNED.**

Be sure to include a system block diagram on the page furnished for that purpose. Duplicate this page as required to show all equipment desired to be installed:

*P1*

TRANSMITTER #1	Power output	W	Existing (E) Removing (R) New (N)
Frequency(s) 159.555 mhz	100 watts		
Make and Model: <b>codan</b>			

RECEIVER #1	Existing (E) Removing (R) New (N)
Frequency(s) 161.070	
Make and Model: <b>codan</b>	

*F2*

TRANSMITTER #2	Power output	W	Existing (E) Removing (R) New (N)
Frequency(s) 159.690	100 watts		
Make and Model: <b>codan</b>			

RECEIVER #2	Existing (E) Removing (R) New (N)
Frequency(s) 161.565	
Make and Model: <b>codan</b>	

*DOT*

TRANSMITTER #3	Power output	W	Existing (E) Removing (R) New (N)
Frequency(s) 161.100	100 watts		
Make and Model: <b>codan</b>			

RECEIVER #3	Existing (E) Removing (R) New (N)
Frequency(s) 159.165	
Make and Model: <b>codan</b>	

*Met  
Net*

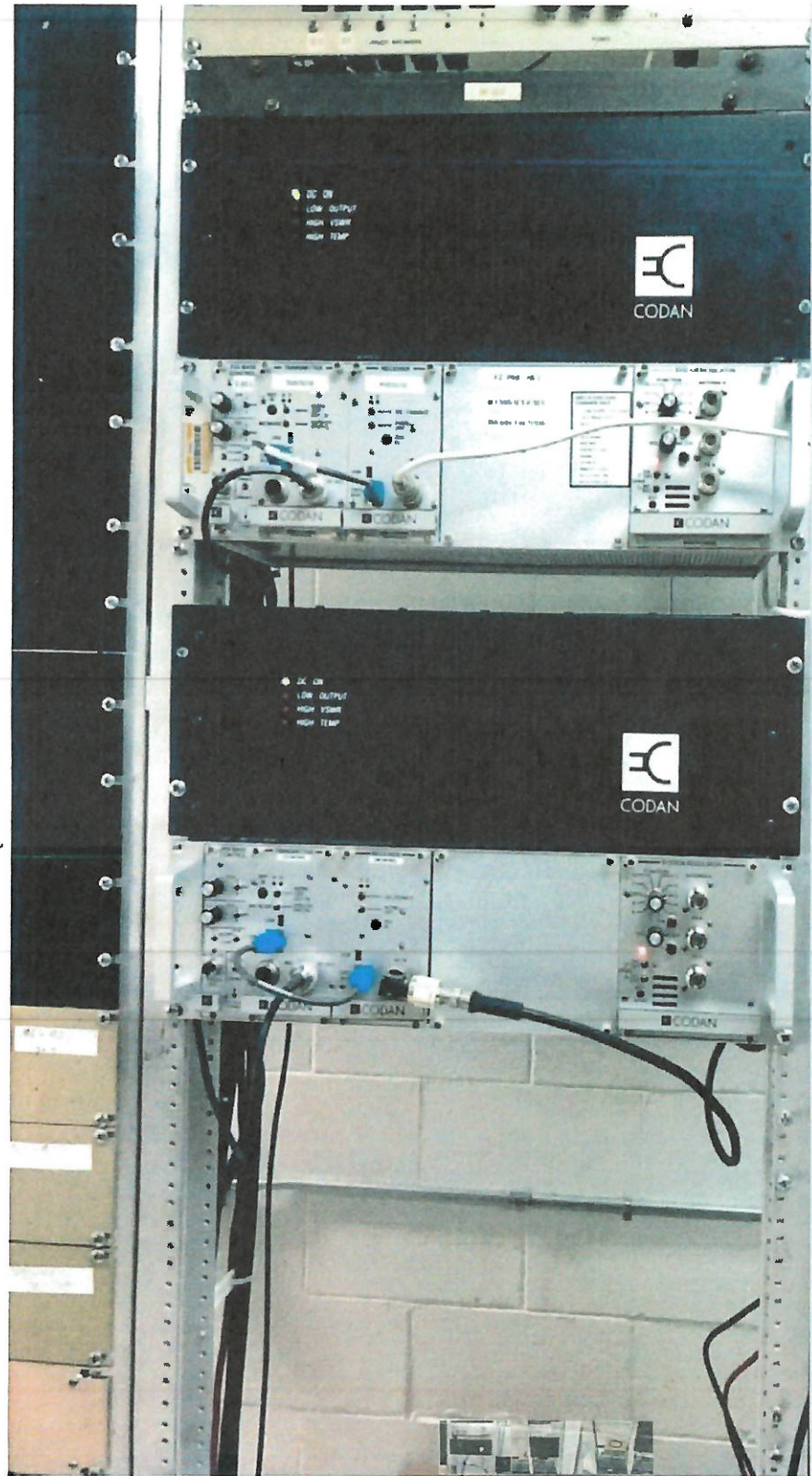
TRANSMITTER #4	Power output	W	Existing (E) Removing (R) New (N)
Frequency(s) 463.050	100 watts		
Make and Model: <b>kenwood</b>			

RECEIVER #4	Existing (E) Removing (R) New (N)
Frequency(s) 468.050	
Make and Model: <b>kenwood</b>	

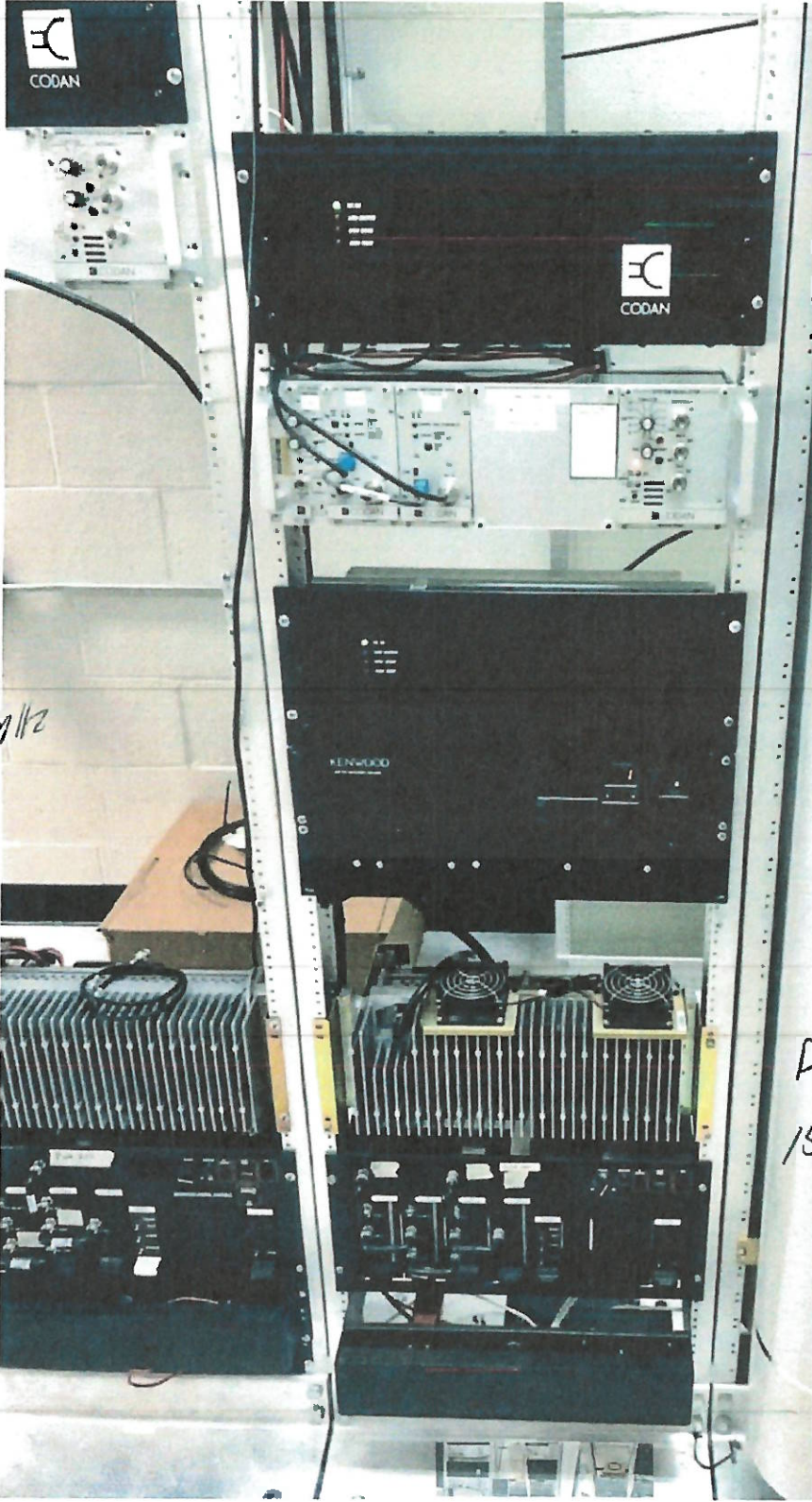
*FRANS #4*      *100 watts*

50 F2  
159.690

50 F1  
159.550 MHz







Med Net  
4  
463.075 MHz

only rec  
→

POT  
15/100

**ANTENNA DATA**

New Tenant: Provide data for each antenna to be installed at this vault facility and identify as **New (N)**.

Existing Tenant: Provide data for each antenna currently installed and identify as **Existing (E)**. If adding or removing an antenna; identify the appropriate action **New (N)**, **Removing (R)**.

Antenna number	Make and Model	Length or M/W dish size	Gain (dBd) (dBi for M/W)	Azimuth (relative to true north)	*Height desired (feet)	Existing (E) Removing (R) New (N)
1	All systems are connected to state Antennas					
2						
3						
4						
5						
6						
7						

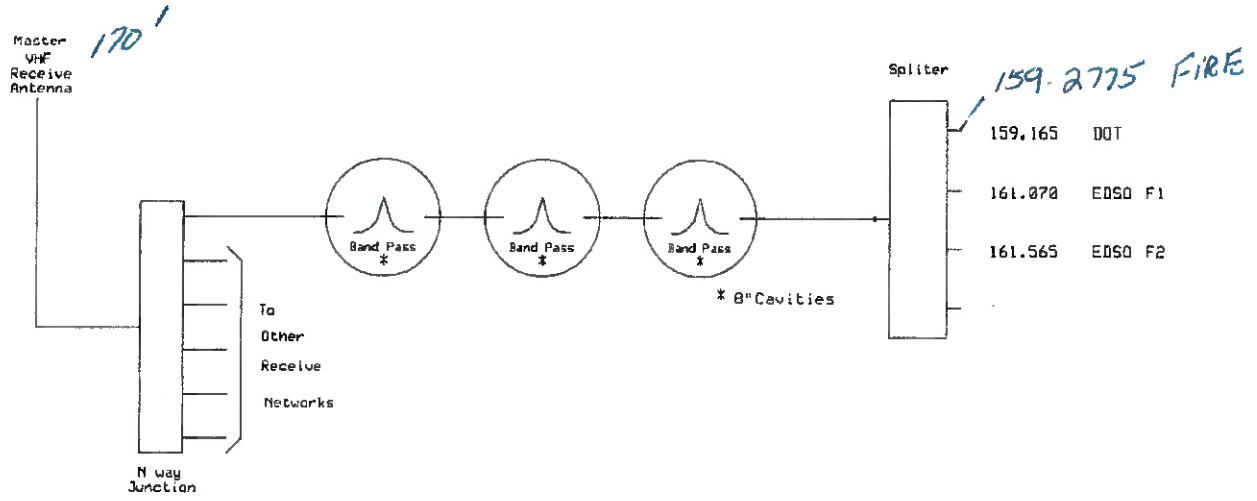
\* For VHF antennas, show desired height to base of antenna support. For microwave dishes, show desired height to center of radiating element.

**AUXILIARY EQUIPMENT DATA**

For each transmitter, receiver, or combination, supply the following:

Make and model of cavity(s), filter(s), isolator(s), duplexer(s), etc., desired to be installed at this site. Please indicate the desired location where these items are to be mounted in the vault. Be sure to include these elements on the system block diagram on the page provided for that purpose.

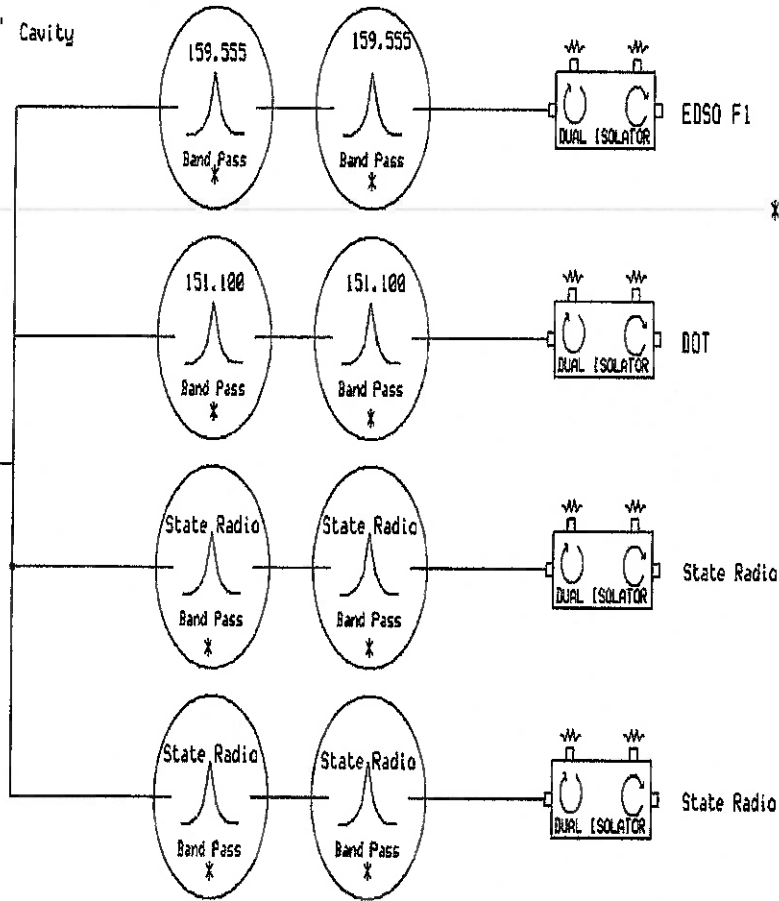
# PINE HILL



PINE HILL

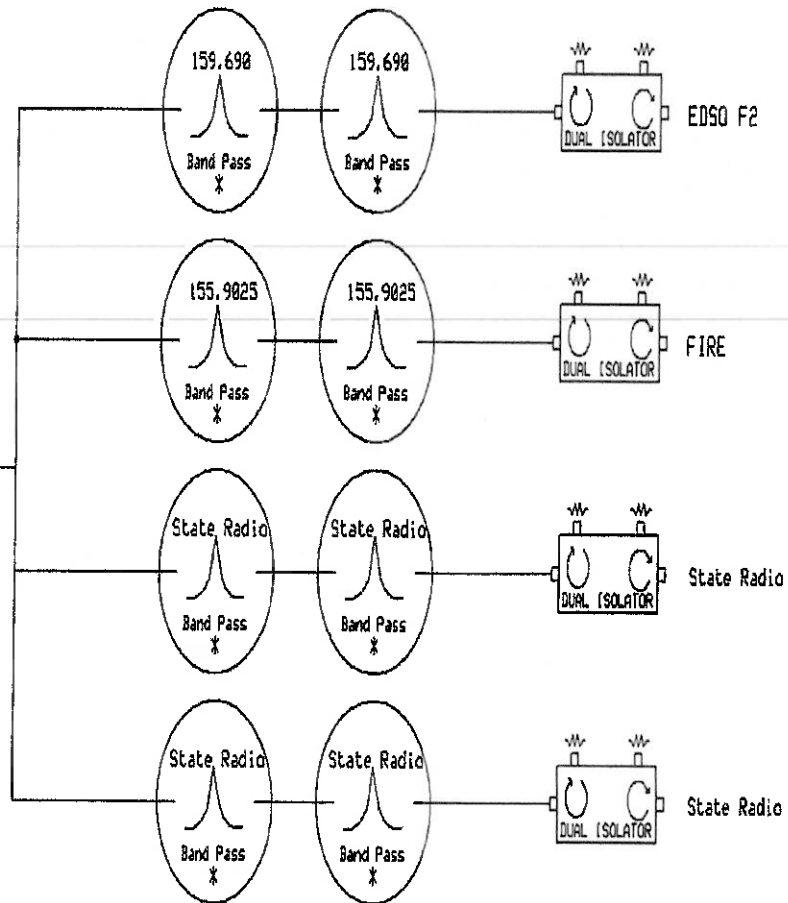
State Antenna A  
120'

8" Cavity



\* 8" Cavities

State Antenna B  
120'



## Public Safety Pool, Conventional License - WPJH204 - EL DORADO, COUNTY OF

Call Sign	WPJH204	Radio Service	PW - Public Safety Pool, Conventional
Status	Active	Auth Type	Regular
<b>Dates</b>			
Grant	08/08/2015	Expiration	08/08/2025
Effective	03/21/2020	Cancellation	

**Control Points**

**1** 200 INDUSRIAL DR, EL DORADO, PLACERVILLE, CA  
P: (530)621-5655

**Licensee**

FRN	0022299101	Type	Governmental Entity
<b>Licensee</b>	EL DORADO, COUNTY OF 200 INDUSTRIAL DR PLACERVILLE, CA 95667 ATTN COMMUNICATIONS DEPARTMENT		
	P:(530)626-2449		

**Contact**

EL DORADO, COUNTY OF P:(530)642-4944  
  
200 INDUSTRIAL DR  
Placerville, CA 95667  
ATTN COMMUNICATIONS DEPT

**Land Mobile Data**

Extended Implementation (Slow Growth) Assoc.Call Signs [KMA912](#), [WPEE203](#), WPIY380, [WPJZ710](#)

**Eligibility**

90.20A - APPLICANT IS COUNTY GOVERNMENT AUTHORIZED BY LAW TO PROVIDE IT S OWN POLICE PROTECTION. WILL USE RADIO TO TRANSMIT COMMUNICATIONS ESSENTIAL TO OFFICIAL POLICE ACTIVITIES OF APPLICANT.

**Ownership and Qualifications**

Radio Service Type Fixed, Mobile  
Regulatory Status Private Comm Interconnected No

**Alien Ownership**

Is the applicant a foreign government or the representative of any foreign government? No

Is the applicant an alien or the representative of an alien?

Is the applicant a corporation organized under the laws of any foreign government?

## Locations Summary

Call Sign **WPJH204** Radio Service **PW - Public Safety Pool, Conventional**

**13 Total Locations**

10 Locations per Summary Page

**SC** = Special Condition **TP** = Termination Pending

Location	Transmitter Address /Area of Operation	Latitude, Longitude	Status
1 - Fixed	UNION HILL POLLACK PINES, CA EL DORADO County	38-45-46.7 N, 120-33-13.7 W	
2 - Fixed	PINE HILL RESCUE, CA EL DORADO County	38-43-09.6 N, 120-59-25.8 W	
3 - Fixed	FAIR PLAY HILL OMO RANCH, CA EL DORADO County	38-34-51.7 N, 120-36-51.7 W	
4 - Fixed	BALD MOUNTAIN GEORGETOWN, CA EL DORADO County	38-54-15.6 N, 120-42-21.7 W	
5 - Fixed	BIG HILL RIVERTON, CA EL DORADO County	38-50-31.7 N, 120-24-29.7 W	
6 - Fixed	300 FAIR LN PLACERVILLE, CA EL DORADO County	38-43-34.7 N, 120-49-43.8 W	
7 - 6.1 meter control station	CA		
8 - Mobile	40.0 km radius around a fixed location 1		
9 - Mobile	40.0 km radius around a fixed location 2		
10 - Mobile	40.0 km radius around a fixed location 3		

**13 Total Locations**

10 Locations per Summary Page

## Frequencies Summary

Call Sign WPJH204

Radio Service

PW - Public Safety Pool,  
Conventional

**20** Frequencies for all locations

20 Frequencies per Summary Page

**SC** = Special Condition **TP** = Termination Pending

Frequency	Loc#	Ant#	Freq ID	Station Class	Units	Paging Rec.	Output Power	Maximum ERP
000159.55500000	1	1	1	FB2	1		75.000	267.000
000159.55500000	2	1	1	FB2	1		75.000	133.000
000159.55500000	3	1	1	FB2	1		75.000	77.000
000159.55500000	4	1	1	FB2	1		75.000	29.000
000159.55500000	5	1	1	FB2	1		75.000	375.000
000159.55500000	6	1	1	FB	1		40.000	200.000
000159.55500000	8	1	1	MO	300		75.000	150.000
000159.55500000	9	1	1	MO	300		75.000	150.000
000159.55500000	10	1	1	MO	300		75.000	150.000
000159.55500000	11	1	1	MO	300		75.000	150.000
000159.55500000	12	1	1	MO	300		75.000	150.000
000160.69500000	6	1	2	FB	1		40.000	200.000
000160.69500000	8	1	2	MO	300		75.000	150.000
000160.69500000	13	1	1	MO	300		75.000	150.000
000161.07000000	7	1	1	FX1	1		40.000	200.000
000161.07000000	8	1	3	MO	300		75.000	150.000
000161.07000000	9	1	2	MO	300		75.000	150.000
000161.07000000	10	1	2	MO	300		75.000	150.000
000161.07000000	11	1	2	MO	300		75.000	150.000
000161.07000000	12	1	2	MO	300		75.000	150.000

**20** Frequencies for all locations

20 Frequencies per Summary Page

**Public Safety Pool, Conventional License - KUQ789 - EL DORADO, COUNTY OF**

Call Sign	KUQ789	Radio Service	PW - Public Safety Pool, Conventional
Status	Active	Auth Type	Regular
<b>Dates</b>			
Grant	03/26/2014	Expiration	03/28/2024
Effective	03/21/2020	Cancellation	

**Control Points**

**1** WESTERN EL DORADO CTY MISSOURI FLAT & HEADINGTON RDS, EL DORADO, PLACERVILLE, CA  
P: (530)626-2449

**Licensee**

FRN 0022299101 Type Governmental Entity

**Licensee**

EL DORADO, COUNTY OF P:(530)626-2449  
200 INDUSTRIAL DR  
PLACERVILLE, CA 95667  
ATTN COMMUNICATIONS DEPT

**Contact**

El Dorado, County of P:(530)642-4944  
200 INDUSTRIAL DR  
Placerville, CA 95667  
ATTN Communications Dept

**Land Mobile Data**

Extended Implementation (Slow Growth) Assoc.Call Signs

**Eligibility**

90.23A

**Ownership and Qualifications**

Radio Service Type Fixed, Mobile  
Regulatory Status Private Comm Interconnected No

**Alien Ownership**

Is the applicant a foreign government or the representative of any foreign government? No

Is the applicant an alien or the representative of an alien?

Is the applicant a corporation organized under the laws of any foreign government?

Is the applicant a corporation of which more than one-fifth of the



capital stock is owned of record or voted by aliens or their representatives or by a foreign government or representative thereof or by any corporation organized under the laws of a foreign country?

Is the applicant directly or indirectly controlled by any other corporation of which more than one-fourth of the capital stock is owned of record or voted by aliens, their representatives, or by a foreign government or representative thereof, or by any corporation organized under the laws of a foreign country?

The Alien Ruling question is not answered.

**Basic Qualifications**

The Applicant answered "No" to each of the Basic Qualification questions.

**Demographics**

Race

Ethnicity

Gender



# Universal Licensing System

FCC > WTB > ULS > Online Systems > License Search

[FCC Site Map](#)

Public Safety Pool, Conventional License - KUQ789 - EL DORADO, COUNTY OF

## Locations Summary

[? HELP](#)

[New Search](#)
[Refine Search](#)
[Return to Results](#)
[Printable Page](#)
[Reference Copy](#)
[Map License](#)

[MAIN](#)
[ADMIN](#)
[LOCATIONS](#)
[FREQUENCIES](#)
[MAP](#)

Call Sign: KUQ789      Radio Service: PW - Public Safety Pool, Conventional

**6 Total Locations**      Locations Displayed: 10 Locations per Summary Page  
 All | [Fixed](#) | [Mobile](#) | [Itinerant](#) | [Temp Fixed](#) | [6.1m](#)

SC = Special Condition    TP = Termination Pending

Location	Transmitter Address / Area of Operation	Latitude, Longitude	Status
<a href="#">1 - Mobile</a>	EL DORADO County, CA		
<a href="#">2 - Fixed</a>	MISSOURI FLAT & HEADINGTON RDS PLACERVILLE, CA EL DORADO County	38-42-49.7 N, 120-50-26.8 W	
<a href="#">3 - Fixed</a>	PINE HILL 2 MI NW RESCUE, CA EL DORADO County	38-43-01.6 N, 120-59-27.8 W	
<a href="#">4 - Fixed</a>	BIG HILL 5 MI N RIVERTON, CA EL DORADO County	38-50-31.7 N, 120-24-29.7 W	
<a href="#">5 - Fixed</a>	SHAKORI & KASKA RDS TAHOE PARADISE, CA EL DORADO County	38-50-42.7 N, 120-00-57.7 W	
<a href="#">6 - Fixed</a>	1376 JOHNSON BLVD SOUTH LAKE TAHOE, CA EL DORADO County	38-56-01.7 N, 119-58-19.7 W	

**6 Total Locations**      Locations Displayed: 10 Locations per Summary Page  
 All | [Fixed](#) | [Mobile](#) | [Itinerant](#) | [Temp Fixed](#) | [6.1m](#)

**ULS Help**      [ULS Glossary](#) - [FAQ](#) - [Online Help](#) - [Technical Support](#) - [Licensing Support](#)  
**ULS Online Systems**    [CORES](#) - [ULS Online Filing](#) - [License Search](#) - [Application Search](#) - [Archive License Search](#)  
**About ULS**      [Privacy Statement](#) - [About ULS](#) - [ULS Home](#)

**Basic Search**      By Call Sign      ▼ =



# Universal Licensing System

FCC > WTB > ULS > Online Systems > License Search

[FCC Site Map](#)

Public Safety Pool, Conventional License - KUQ789 - EL DORADO, COUNTY OF

[? HELP](#)

## Frequencies Summary

[New Search](#) [Refine Search](#) [Return to Results](#) [Printable Page](#) [Reference Copy](#) [Map License](#)

**MAIN** ADMIN LOCATIONS **FREQUENCIES** MAP

Call Sign: KUQ789 Radio Service: PW - Public Safety Pool, Conventional

9 Frequencies for all locations  
20 Frequencies per Summary Page

Filter Frequencies By Location:  
All Locations

**SC** = Special Condition **TP** = Termination Pending Define View: [General](#) | [Buildout](#) | [COSER](#) | [Emission](#) | [IRAC](#)

Frequency	Loc#	Ant#	Freq ID	Station Class	Units	Paging Rec.	Output Power	Maximum ERP
<a href="#">000151.10000000</a>	<a href="#">1</a>	1	1	MO	75		100.000	
<a href="#">000151.10000000</a>	<a href="#">2</a>	1	1	FB	1		100.000	310.000
<a href="#">000151.10000000</a>	<a href="#">3</a>	1	1	FB2	1		100.000	315.000
<a href="#">000151.10000000</a>	<a href="#">4</a>	1	1	FB2	1		100.000	312.000
<a href="#">000151.10000000</a>	<a href="#">5</a>	1	1	FB	1		100.000	308.000
<a href="#">000151.10000000</a>	<a href="#">6</a>	1	1	FB2	1		100.000	282.000
<a href="#">000159.16500000</a>	<a href="#">1</a>	1	2	MO	75		100.000	
<a href="#">000159.16500000</a>	<a href="#">2</a>	1	2	FX1	1		100.000	310.000
<a href="#">000159.16500000</a>	<a href="#">5</a>	1	2	FX1	1		100.000	308.000

9 Frequencies for all locations  
20 Frequencies per Summary Page

Filter Frequencies By Location:  
All Locations

**ULS Help** [ULS Glossary](#) - [FAQ](#) - [Online Help](#) - [Technical Support](#) - [Licensing Support](#)  
**ULS Online Systems** [CORES](#) - [ULS Online Filing](#) - [License Search](#) - [Application Search](#) - [Archive License Search](#)  
**About ULS** [Privacy Statement](#) - [About ULS](#) - [ULS Home](#)

Basic Search By Call Sign



# Universal Licensing System

[FCC](#) > [WTB](#) > [ULS](#) > [Online Systems](#) > License Search

[FCC Site Map](#)

Public Safety Pool, Conventional License - WPWF450 - CALIFORNIA, STATE OF

## Locations Summary

[? HELP](#)

[New Search](#) [Refine Search](#) [Return to Results](#) [Printable Page](#) [Reference Copy](#) [Map License](#)

- MAIN**
- ADMIN
- LOCATIONS**
- FREQUENCIES
- MAP

Call Sign: **WPWF450** Radio Service: **PW - Public Safety Pool, Conventional**

**8 Total Locations**

10 Locations per Summary Page

Locations Displayed:

**All** | [Fixed](#) | [Mobile](#) | [Itinerant](#) | [Temp Fixed](#) | [6.1m](#)

**SC** = Special Condition    **TP** = Termination Pending

Location	Transmitter Address /Area of Operation	Latitude, Longitude	Status
<a href="#">1 - Fixed</a>	UNION HILL 1 KM E POLLOCK PINES, CA EL DORADO County	38-45-46.7 N, 120-33-13.7 W	
<a href="#">2 - Fixed</a>	HOTCHKISS HILL ROAD GEORGETOWN, CA EL DORADO County	38-54-45.6 N, 120-48-50.8 W	
<a href="#">3 - Fixed</a>	END OF WATER PLANT ROAD PLACERVILLE, CA EL DORADO County	38-43-16.7 N, 120-47-49.8 W	
<a href="#">4 - Fixed</a>	PINE HILL 3 KM W RESCUE, CA EL DORADO County	38-43-10.3 N, 120-59-25.4 W	
<a href="#">5 - Fixed</a>	2840 MOUNT DANAHER ROAD CAMINO, CA EL DORADO County	38-44-41.0 N, 120-40-03.1 W P	
<a href="#">6 - Mobile</a>	40.0 km radius around centerpoint	38-45-00.0 N, 120-40-00.0 W	
<a href="#">7 - Temporary Fixed</a>	EL DORADO County, CA		
<a href="#">8 - Mobile</a>	30.0 km radius around centerpoint	38-45-00.0 N, 120-40-00.0 W	

**8 Total Locations**

10 Locations per Summary Page

Locations Displayed:

**All** | [Fixed](#) | [Mobile](#) | [Itinerant](#) | [Temp Fixed](#) | [6.1m](#)

*State Radio  
IN RACK #2*

**ULS Help**

[ULS Glossary](#) - [FAQ](#) - [Online Help](#) - [Technical Support](#) - [Licensing Support](#)

**ULS Online Systems**

[CORES](#) - [ULS Online Filing](#) - [License Search](#) - [Application Search](#) - [Archive License Search](#)

**About ULS**

[Privacy Statement](#) - [About ULS](#) - [ULS Home](#)

**Basic Search**

By Call Sign     =

**SEARCH**



# Universal Licensing System

FCC > WTB > ULS > Online Systems > License Search

[FCC Site Map](#)

Public Safety Pool, Conventional License - WPWF450 - CALIFORNIA, STATE OF

## Frequencies Summary

[? HELP](#)

[New Search](#) [Refine Search](#) [Return to Results](#) [Printable Page](#) [Reference Copy](#) [Map License](#)

**MAIN** ADMIN LOCATIONS **FREQUENCIES** MAP

Call Sign: WPWF450      Radio Service: PW - Public Safety Pool, Conventional

14 Frequencies for all locations  
20 Frequencies per Summary Page

Filter Frequencies By Location:  
All Locations

SC = Special Condition     TP = Termination Pending    Define View: **General** | [Buildout](#) | [COSER](#) | [Emission](#) | [IRAC](#)

Frequency	Loc#	Ant#	Freq ID	Station Class	Units	Paging Rec.	Output Power	Maximum ERP
<a href="#">000155.90250000</a>	<a href="#">1</a>	2	1	FB	1		28.000	16.000
<a href="#">000155.90250000</a>	<a href="#">1</a>	2	2	FB2	1		28.000	16.000
<a href="#">000155.90250000</a>	<a href="#">2</a>	2	1	FB	1		50.000	112.000
<a href="#">000155.90250000</a>	<a href="#">2</a>	2	2	FB2	1		50.000	112.000
<a href="#">000155.90250000</a>	<a href="#">3</a>	2	1	FB	1		23.000	13.000
<a href="#">000155.90250000</a>	<a href="#">3</a>	2	2	FB2	1		23.000	13.000
<a href="#">000155.90250000</a>	<a href="#">4</a>	2	1	FB	1		50.000	112.000
<a href="#">000155.90250000</a>	<a href="#">4</a>	2	2	FB2	1		50.000	112.000
<a href="#">000155.90250000</a>	<a href="#">6</a>	1	3	MO	600		50.000	50.000
<a href="#">000155.90250000</a>	<a href="#">7</a>	1	4	FBT	1		10.000	8.000
<a href="#">000155.90250000</a>	<a href="#">7</a>	1	5	FB2T	1		10.000	8.000
<a href="#">000159.27750000</a>	<a href="#">5</a>	1	2	FX1	1		50.000	89.000
<a href="#">000159.27750000</a>	<a href="#">7</a>	1	6	FX1T	6		10.000	10.000
<a href="#">000159.27750000</a>	<a href="#">8</a>	1	1	MO	600		50.000	50.000

14 Frequencies for all locations  
20 Frequencies per Summary Page

Filter Frequencies By Location:  
All Locations

**ULS Help**

[ULS Glossary](#) - [FAQ](#) - [Online Help](#) - [Technical Support](#) - [Licensing Support](#)

**ULS Online Systems**

[CORES](#) - [ULS Online Filing](#) - [License Search](#) - [Application Search](#) - [Archive License Search](#)

**About ULS**

[Privacy Statement](#) - [About ULS](#) - [ULS Home](#)

**Basic Search**

By Call Sign  =



# Universal Licensing System

[FCC](#) > [WTB](#) > [ULS](#) > [Online Systems](#) > License Search

[FCC Site Map](#)

Public Safety Pool, Conventional License - WPWF450 - CALIFORNIA, STATE OF

## Locations Summary

[? HELP](#)

[New Search](#) [Refine Search](#) [Return to Results](#) [Printable Page](#) [Reference Copy](#) [Map License](#)

- MAIN**
- ADMIN**
- LOCATIONS**
- FREQUENCIES**
- MAP**

Call Sign: **WPWF450**      Radio Service: **PW - Public Safety Pool, Conventional**

**8 Total Locations**

10 Locations per Summary Page

Locations Displayed:

**All** | [Fixed](#) | [Mobile](#) | [Itinerant](#) | [Temp Fixed](#) | [6.1m](#)

**SC** = Special Condition    **TP** = Termination Pending

Location	Transmitter Address / Area of Operation	Latitude, Longitude	Status
<a href="#">1 - Fixed</a>	UNION HILL 1 KM E POLLOCK PINES, CA EL DORADO County	38-45-46.7 N, 120-33-13.7 W	
<a href="#">2 - Fixed</a>	HOTCHKISS HILL ROAD GEORGETOWN, CA EL DORADO County	38-54-45.6 N, 120-48-50.8 W	
<a href="#">3 - Fixed</a>	END OF WATER PLANT ROAD PLACERVILLE, CA EL DORADO County	38-43-16.7 N, 120-47-49.8 W	
<a href="#">4 - Fixed</a>	PINE HILL 3 KM W RESCUE, CA EL DORADO County	38-43-10.3 N, 120-59-25.4 W	
<a href="#">5 - Fixed</a>	2840 MOUNT DANAHAR ROAD CAMINO, CA EL DORADO County	38-44-41.0 N, 120-40-03.1 W P	
<a href="#">6 - Mobile</a>	40.0 km radius around centerpoint	38-45-00.0 N, 120-40-00.0 W	
<a href="#">7 - Temporary Fixed</a>	EL DORADO County, CA		
<a href="#">8 - Mobile</a>	30.0 km radius around centerpoint	38-45-00.0 N, 120-40-00.0 W	

**8 Total Locations**

10 Locations per Summary Page

Locations Displayed:

**All** | [Fixed](#) | [Mobile](#) | [Itinerant](#) | [Temp Fixed](#) | [6.1m](#)

**ULS Help**

[ULS Glossary](#) - [FAQ](#) - [Online Help](#) - [Technical Support](#) - [Licensing Support](#)

**ULS Online Systems**

[CORES](#) - [ULS Online Filing](#) - [License Search](#) - [Application Search](#) - [Archive License Search](#)

**About ULS**

[Privacy Statement](#) - [About ULS](#) - [ULS Home](#)

**Basic Search**

By Call Sign     =

**SEARCH**

