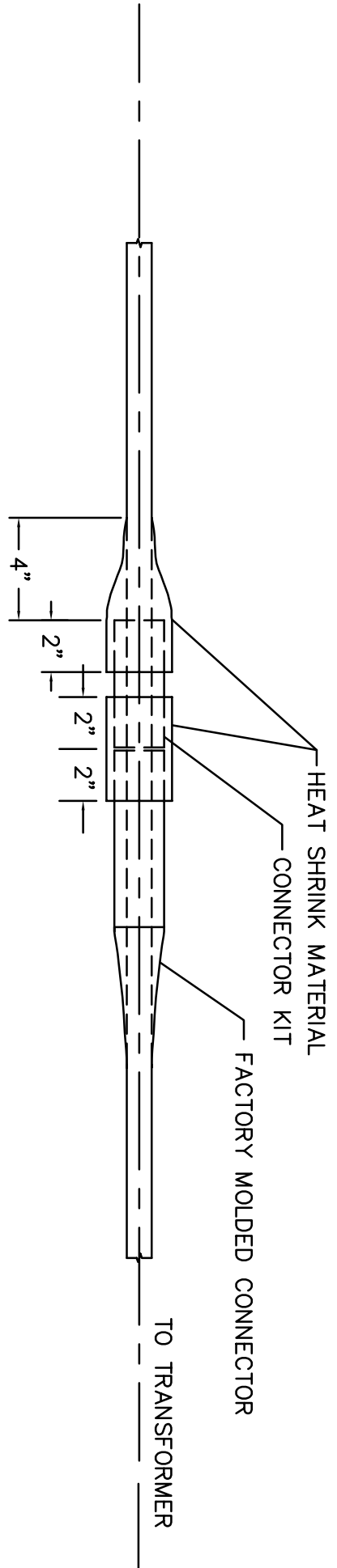


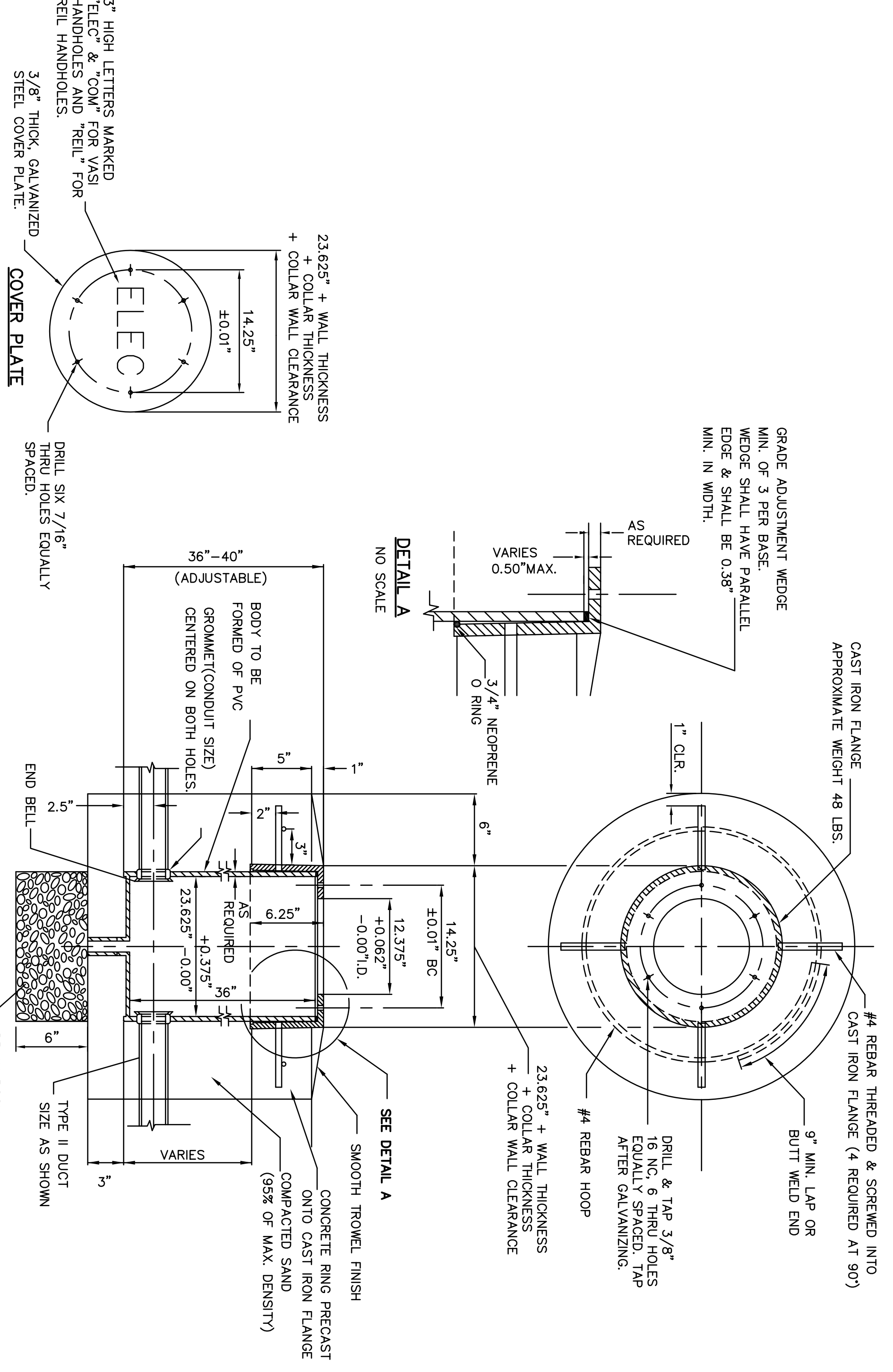
**MEDIUM INTENSITY RUNWAY EDGE AND THRESHOLD LIGHT ELEVATED (L-861)**

- NOTES:
- SEE RUNWAY LIGHTING PLANS FOR LENS COLOR.



**HEAT SHRINK INSTALLATION DETAIL**

- NOTES:
- HEAT SHRINK SHALL BE INSTALLED IN 2 SEGMENTS.
  - HEAT SHRINK KIT SHALL BE INSTALLED ON FIELD CONNECTED SECTION OF CONNECTOR KIT.



**DETAIL A**

**HANDHOLE L867 SIZE E (ADJUSTABLE) - PRECAST TOP**

**PLACERVILLE AIRPORT**  
 CALIFORNIA  
**RW LIGHTING REHABILITATION (PHASE II)**  
 LIGHTING & ELECTRICAL DETAILS

NO.	REVISIONS	BY	APR	DATE

ENGINEER OF RECORD

**Reinald W. Brandley**  
 CONSULTING AIRPORT ENGINEER

6125 King Road, Suite 201 • Loomis, California 95650-8004 • (916) 652-4725

DESIGN BY: RWB  
 DRAWN BY: MSB  
 CHECK BY: RWB  
 DATE: JUNE 29, 2006  
 CONTRACT NO.:  
 PROJECT NO.:  
 DWG FILE: -  
 DRAWING SCALE: NO SCALE

SHEET NUMBER  
**8 OF 11 SHEETS**