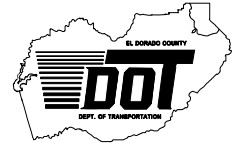




**CONSTRUCTION DIVISION**  
 2441 Headington Road  
 Placerville CA 95667  
 Phone: (530) 642-4987  
 Fax: (530) 295-2655

**JAMES W. WARE, P.E.**  
 Director of Transportation  
  
 Internet Web Site:  
<http://edcgov.us/dot>

**MAIN OFFICE**  
 2850 Fairlane Court  
 Placerville CA 95667  
 Phone: (530) 621-5900  
 Fax: (530) 626-0387



**DATE:** July 28, 2011

**TO:** All Prospective Bidders

**SUBJECT: Addendum No. 1**  
**El Dorado Trail Culvert Replacement Project**  
**(Contract No. PW 11-30587, Project No. 99565)**

Submit proposals for this work with the understanding and full consideration of this addendum. The revisions declared in this addendum are essential parts of the Contract.

ITEM NO.	LOCATION, PAGE OR DRAWING NO.	DESCRIPTION OF CHANGE
1.01	Plan Sheet D-1	Plan Sheet D-1 (3 of 10) has been revised to add concrete cut off walls to the pipe. <b>Bidders are instructed to replace original Plan Sheet 3 of 10 with the revised sheet 3 of 10 attached to this Addendum No.1</b>
1.02	Plan Sheet CS-1	To answer the bidder's question regarding the specifications for the signs shown on Plan Sheet CS-1 (5 of 10), this plan sheet has been revised to include the sign specifications. <b>Bidders are instructed to replace original Plan Sheet 5 of 10 with the revised sheet 5 of 10 attached to this Addendum No. 1.</b>
1.03	SP-38	<b>Section 10-1.01 "Order of Work" of the special provisions</b> Add the following as the sixth paragraph of this section:  <i>"The amount of excavated material that the Contractor can store is constrained by the amount of storage area provided in the plans and these special provisions. The Work may require multiple phases depending on the method of excavation and material storage the Contractor elects to use."</i>

ITEM NO.	LOCATION, PAGE OR DRAWING NO.	DESCRIPTION OF CHANGE
1.04	SP-60	<p><b>Section 10-1.10 “Corrugated Steel Pipe (CSP) (Aluminum-Coated)” of the special provisions</b>            In the first line of SP-60 add the following after “Contractor shall”:</p> <p><i>“furnish and install concrete cut off walls as shown on the plans and shall”</i></p> <p>Add the following to the last paragraph of this section after the words “segments with banding”:</p> <p><i>“installing concrete cut off walls”</i></p>
1.05	SP-92	<p><b>Section 10-1.27 “Construction Area Signs” of the special provisions</b></p> <p>Delete the third to last paragraph of this section.</p>
1.06	TOC-3 and SP-101	<p><b>Section 10-1.35 “Paint Traffic Stripe”</b> is added to the Table of Contents.</p> <p><b>Section 10-1.35 “Paint Traffic Stripe”</b> is added to the special provisions and is included as <b>Attachment A</b> attached to this addendum.</p>
1.07	Appendix B	<p><b>Appendix B- Federal Wage Rates</b>            Replace the federal wage rates included in Appendix B of the Contract Documents with <b>Revised Appendix B</b> attached to this addendum.</p>
1.08	C-9 and P-3	<p>Replace <b>Page C-9</b> of Exhibit A Contractor’s Bid and Bid Price Schedule with <b>Page C-9rev</b> attached to this addendum. Replace <b>Page P-3</b> of the Proposal Pay items and Bid Price Schedule with <b>Page P-3rev</b>.</p>

**Page C-9rev, Exhibit A Contractor’s Bid and Bid Price Schedule, shall be attached to page C-9 in the original Draft Agreement in the Contract Document Booklet. Page P-3rev, Proposal Pay Items and Bid Price Schedule, shall be attached to page P-3 in the original Proposal in the Contract Document booklet. The remaining pages of this addendum, excluding the revised plan sheets, shall be attached to the Contract Documents booklet.**

Indicate receipt of this addendum by filling in the number of this addendum in the space provided on the signature page of the proposal.

Holders who have already mailed their proposal can contact Janel Gifford at (email: Janel.Gifford@edcgov.us) to arrange return of their proposal.

Inform all suppliers and subcontractors as necessary.

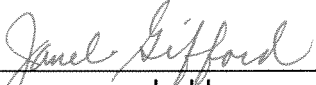
The DOT is only sending this addendum by posting on the following website: <http://www.edcgov.us/Government/DOT/Bids.aspx>.

If you are not a Contract Documents Holder, but request a set of documents to bid on this project, you must comply with the requirements of this addendum when submitting your bid.


Attachments:

Revised Plan Sheet D-1 (3 of 10)	1 page
Revised Plan Sheet CS-1 (5 of 10)	1 page
Attachment A (Section 10-1.35 "Paint Traffic Stripe)	1 page
Revised Appendix B (Federal Wage Rates)	40 pages
Page C-9rev Exhibit A Contractor's Bid and Bid Price Schedule	1 page
Page P-3 rev Proposal Pay Items and Bid Price Schedule	1 page

**End of Addendum No. 1**

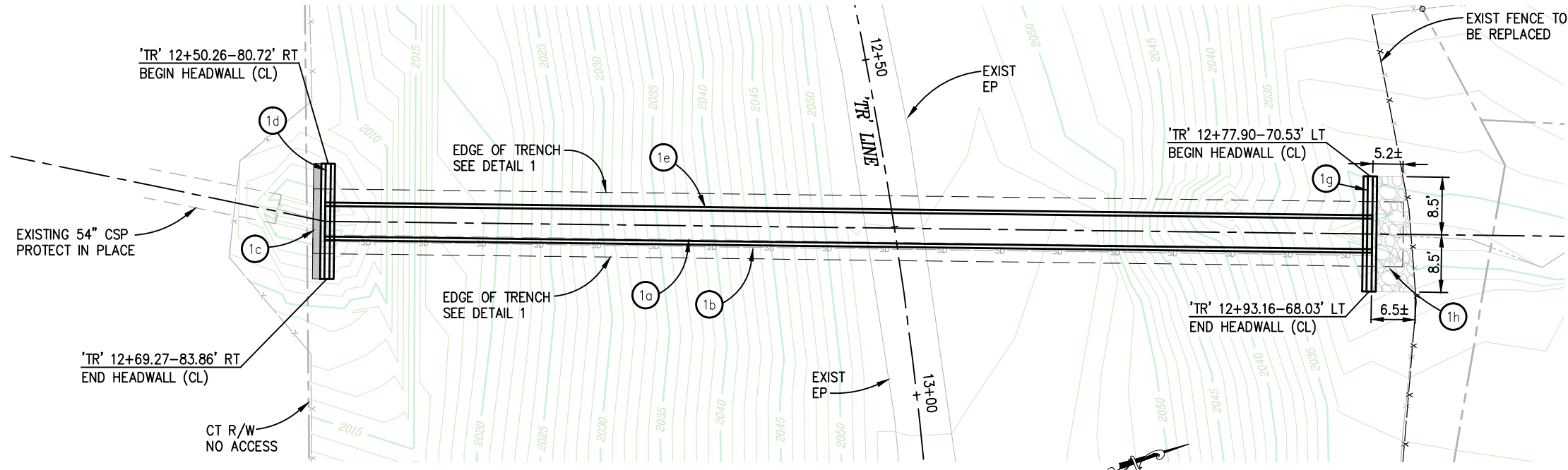
  
Recommended by:  
Janel Gifford, P.E.  
Office Engineer

7/28/11  
Date

  
Approved by:  
James W. Ware, P.E.  
Director of Transportation

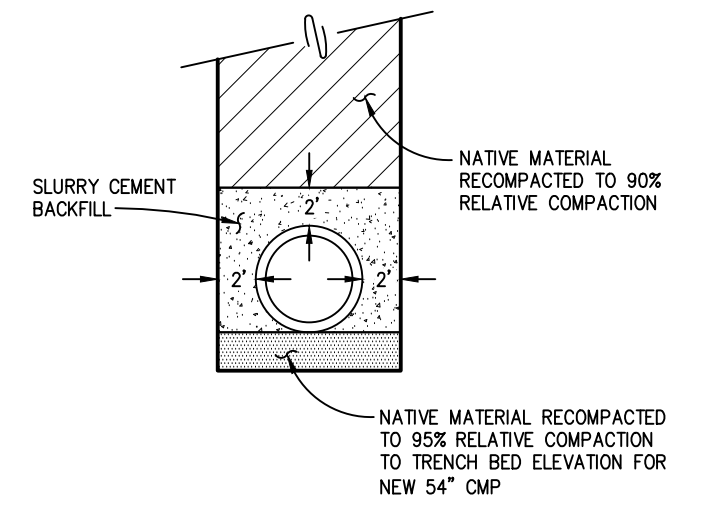
7/28/11  
Date

ORIGINAL SCALE IS IN INCHES  
 Drawing Name: C:\Civil\_3D\Projects\99565 El Dorado Trail Culvert Repair\CADD Files\Sheets\0-1.dwg Layout Tab: D-1 Jul 27, 2011 - 2:58pm smcvey  
 FOR REDUCED PLANS

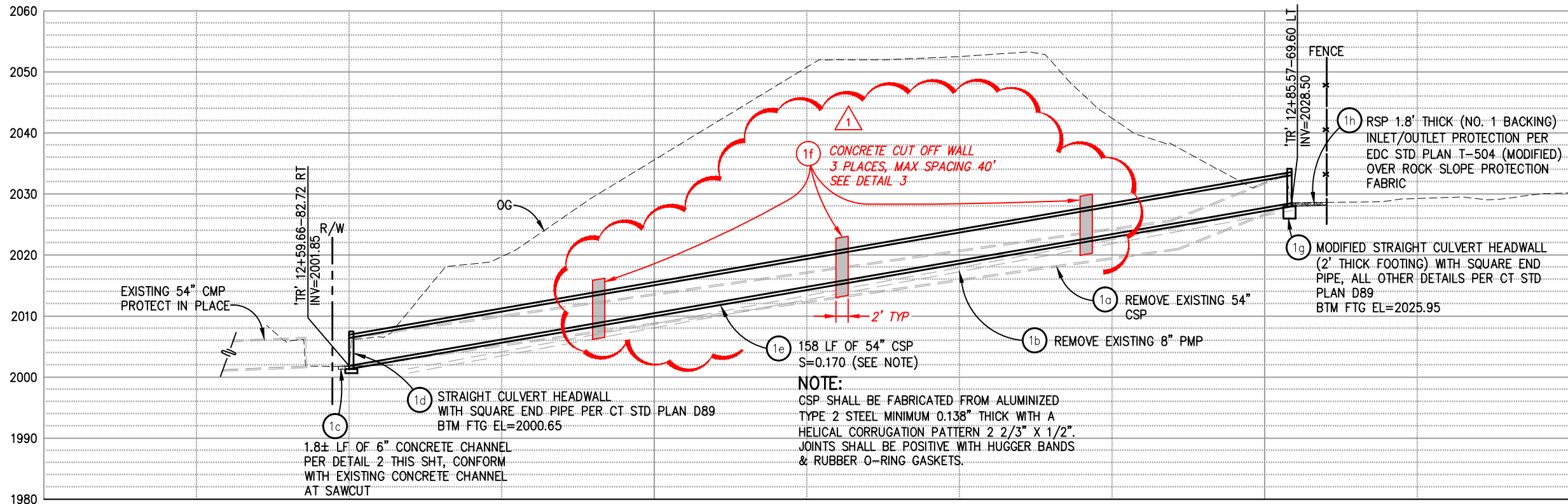


**DRAINAGE SYSTEM-PLAN**  
 SCALE: 1"=10'

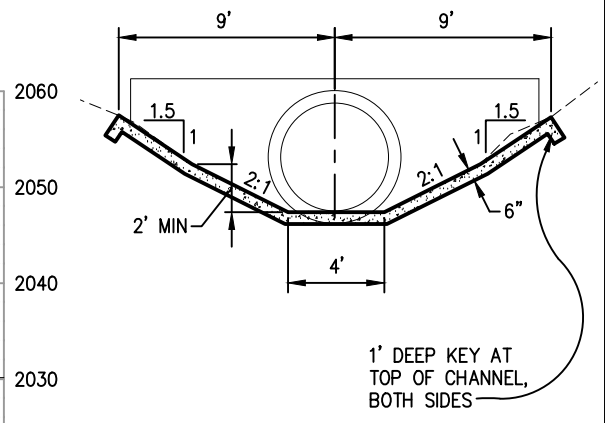
- GENERAL NOTES:**
- REFER TO SHEET DM-1 FOR EXCAVATION AND TRENCHING.
  - TRAIL ALIGNMENT SHOWN FOR REFERENCE. SEE SHEET L-1



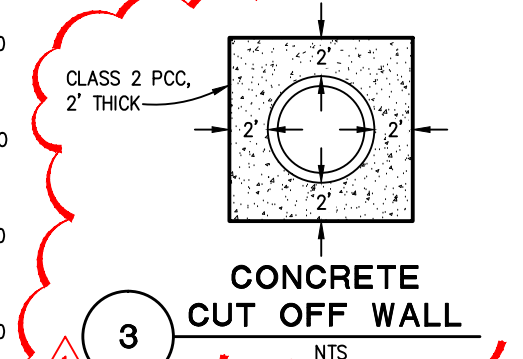
**1 TRENCH DETAIL**  
 NTS



**DRAINAGE SYSTEM-PROFILE**  
 SCALE: 1"=10' H,V



**2 CONCRETE CHANNEL**  
 NTS



**3 CONCRETE CUT OFF WALL**  
 NTS

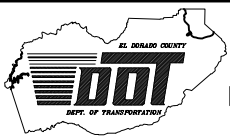
**DRAINAGE LAYOUT**  
 SCALE: 1" = 10' H,V

REVISION	NUMBER	DATE	DESCRIPTION	BY
1	07/27/11		ADDED CONCRETE CUT OFF WALLS	SGM



PREPARED UNDER THE SUPERVISION OF:  
**Dwight G. Anderson**  
 REGISTERED CIVIL ENGINEER  
 07-12-11

DESIGNED: DA  
 DRAWN: SGM  
 CHECKED: AB  
 DATE: 06/30/11  
 ROAD NUMBER:

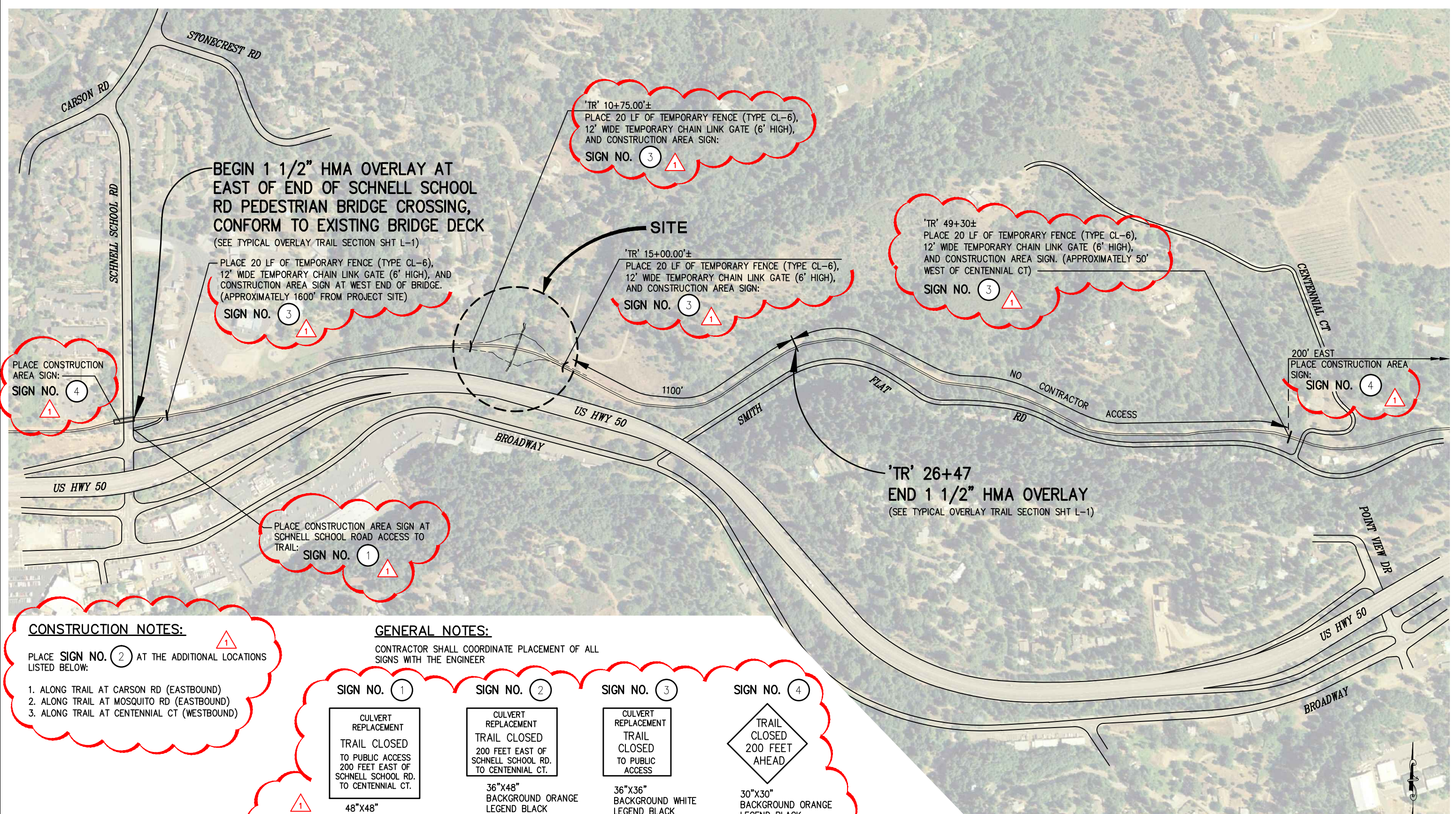


**EL DORADO COUNTY**  
 DEPARTMENT OF TRANSPORTATION

**EL DORADO TRAIL CULVERT**  
 REPLACEMENT

SHEET  
**D-1**  
 3 OF 10  
 W.O. No. 99565

ORIGINAL SCALE IS IN INCHES  
 Drawing name: C:\Civil 3D\Projects\99565 El Dorado Trail Culvert Repair\CADD Files\Sheets\CS-1.dwg Layout Tab: CS-1 Jul 27, 2011 - 2:45pm smcvey  
 FOR REDUCED PLANS



**CONSTRUCTION NOTES:**

PLACE SIGN NO. 2 AT THE ADDITIONAL LOCATIONS LISTED BELOW:

1. ALONG TRAIL AT CARSON RD (EASTBOUND)
2. ALONG TRAIL AT MOSQUITO RD (EASTBOUND)
3. ALONG TRAIL AT CENTENNIAL CT (WESTBOUND)

**GENERAL NOTES:**

CONTRACTOR SHALL COORDINATE PLACEMENT OF ALL SIGNS WITH THE ENGINEER

**SIGN NO. 1**

CULVERT REPLACEMENT  
TRAIL CLOSED TO PUBLIC ACCESS 200 FEET EAST OF SCHNELL SCHOOL RD. TO CENTENNIAL CT.

48"x48" BACKGROUND ORANGE LEGEND BLACK LETTER SIZE 3" & 4"

**SIGN NO. 2**

CULVERT REPLACEMENT  
TRAIL CLOSED 200 FEET EAST OF SCHNELL SCHOOL RD. TO CENTENNIAL CT.

36"x48" BACKGROUND ORANGE LEGEND BLACK LETTER SIZE 3" & 4"

**SIGN NO. 3**

CULVERT REPLACEMENT  
TRAIL CLOSED TO PUBLIC ACCESS

36"x36" BACKGROUND WHITE LEGEND BLACK LETTER SIZE 3" & 4"

**SIGN NO. 4**

TRAIL CLOSED 200 FEET AHEAD

30"x30" BACKGROUND ORANGE LEGEND BLACK LETTER SIZE 4"

CONSTRUCTION AREA SIGNS, TRAIL CLOSURE, AND OVERLAY LIMITS  
SCALE : 1" = 200'

REVISION	NUMBER	DATE	DESCRIPTION	BY
1	07/27/11		ADDED SIGN REFERENCES AND DETAILS WITH DIMENSIONS	SGM

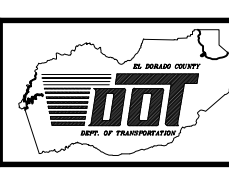


PREPARED UNDER THE SUPERVISION OF :

*Dwight G. Anderson*

REGISTERED CIVIL ENGINEER  
07-12-11

DESIGNED: DA  
DRAWN: SGM  
CHECKED: DA  
DATE: 06/30/11  
ROAD NUMBER: -



EL DORADO COUNTY  
DEPARTMENT OF TRANSPORTATION

EL DORADO TRAIL CULVERT  
REPLACEMENT  
11-0760.2A.5

SHEET  
CS-1  
5 OF 10  
W.O. No. 99565

### **10-1.35 PAINT TRAFFIC STRIPE**

Painted traffic stripes shall be applied in conformance with the provisions in Section 84, "Traffic Stripes and Pavement Markings," of the Standard Specifications and these special provisions.

The work required in this section including painting 4"- wide yellow centerline striping on the bike trail within the overlay limits after the overlay is completed. The striping pattern shall be three feet long followed by a nine foot gap and this pattern repeated for the length of the overlay.

Traffic stripe paint shall conform to the requirements in State Specification No. PTWB-01.

The color of the painted traffic stripes shall conform to the requirements in ASTM Designation: D 6628-01.

## APPENDIX B – FEDERAL WAGE RATES

GENERAL DECISION: CA20100009 06/03/2011 CA9

Date: June 3, 2011

General Decision Number: CA20100009 06/03/2011

Superseded General Decision Number: CA20080009

State: California

Construction Types: Building, Heavy (Heavy and Dredging) and Highway

Counties: Alpine, Amador, Butte, Colusa, El Dorado, Glenn, Lassen, Marin, Modoc, Napa, Nevada, Placer, Plumas, Sacramento, Shasta, Sierra, Siskiyou, Solano, Sonoma, Sutter, Tehama, Trinity, Yolo and Yuba Counties in California.

BUILDING CONSTRUCTION PROJECTS (excluding Amador County only);  
DREDGING CONSTRUCTION PROJECTS (does not include hopper dredge work); HEAVY CONSTRUCTION PROJECTS (does not include water well drilling); AND HIGHWAY CONSTRUCTION PROJECTS

Modification Number	Publication Date
0	03/12/2010
1	03/26/2010
2	07/02/2010
3	07/09/2010
4	08/13/2010
5	08/27/2010
6	09/10/2010
7	09/24/2010
8	10/01/2010
9	10/15/2010
10	10/29/2010
11	11/05/2010
12	11/19/2010
13	12/03/2010
14	01/21/2011
15	01/28/2011
16	02/11/2011
17	02/18/2011
18	03/18/2011
19	04/08/2011
20	04/15/2011
21	05/13/2011
22	06/03/2011

ASBE0016-001 01/01/2010

AREA 1: ALAMEDA, CONTRA COSTA, LAKE, MARIN, MENDOCINO, MONTEREY, NAPA, SAN BENITO, SAN FRANCISCO, SAN MATEO, SANTA CLARA, SANTA CRUZ, SOLANO, & SONOMA COUNTIES

AREA 2: ALPINE, AMADOR, BUTTE, CALAVERAS, COLUSA, DEL NORTE, EL DORADO, FRESNO, GLENN, HUMBOLDT, KINGS, LASSEN, MADERA, MARIPOSA, MERCED, MODOC, MONO, NEVADA, PLACER, PLUMAS, SACRAMENTO, SAN JOAQUIN, SHASTA, SIERRA, SISKIYOU, STANISLAU, SUTTER, TEHEMA, TRINITY, TULARE, TUOLUMNE, YOLO, & YUBA COUNTIES

	Rates	Fringes
Asbestos Workers/Insulator (Includes the application of all insulating materials, Protective Coverings, Coatings, and Finishes to all types of mechanical systems)		
Area 1.....	\$ 50.43	16.66
Area 2.....	\$ 39.78	16.66

-----  
ASBE0016-007 01/01/2010

	Rates	Fringes
Asbestos Removal worker/hazardous material handler (Includes preparation, wetting, stripping, removal, scrapping, vacuuming, bagging and disposing of all insulation materials from mechanical systems, whether they contain asbestos or not)....	\$ 15.18	2.80

-----  
BOIL0549-002 01/01/2009

	Rates	Fringes
BOILERMAKER		
(1) Marin & Solano Counties..	\$ 40.17	22.32
(2) Remaining Counties.....	\$ 37.01	22.25

-----  
BRCA0003-001 08/01/2008

	Rates	Fringes
MARBLE FINISHER.....	\$ 28.02	12.12

-----  
BRCA0003-004 05/01/2010

AREA 1: ALPINE, AMADOR, BUTTE, COLUSA, EL DORADO, GLENN, LASSEN, MODOC, NEVADA, PLACER, PLUMAS, SACRAMENTO, SHASTA, SIERRA, SUTTER, TEHAMA, YOLO AND YUBA COUNTIES

AREA 2: MARIN, NAPA, SISKIYOU, SOLANO, SONOMA AND TRINITY COUNTIES

	Rates	Fringes
BRICKLAYER		
El Dorado Trail Culvert Replacement Contract No. PW 11-30587, Project No. 99565 Addendum No. 1		



AREA 1.....	\$ 33.86	18.24
AREA 2.....	\$ 39.10	20.97

SPECIALTY PAY:

(A) Underground work such as tunnel work, sewer work, manholes, catch basins, sewer pipes and telephone conduit shall be paid \$1.25 per hour above the regular rate. Work in direct contact with raw sewage shall receive \$1.25 per hour in addition to the above.

(B) Operating a saw or grinder shall receive \$1.25 per hour above the regular rate.

(C) Guniting nozzle person shall receive \$1.25 per hour above the regular rate.

-----  
BRCA0003-008 07/01/2010

	Rates	Fringes
TERRAZZO FINISHER.....	\$ 30.30	13.77
TERRAZZO WORKER/SETTER.....	\$ 39.30	21.20

-----  
BRCA0003-010 01/01/2011

	Rates	Fringes
TILE FINISHER		
Area 1.....	\$ 21.21	10.01
Area 2.....	\$ 21.26	12.44
Area 3.....	\$ 21.44	12.31
Area 4.....	\$ 20.93	11.79
Tile Layer		
Area 1.....	\$ 36.08	11.95
Area 2.....	\$ 34.41	13.68
Area 3.....	\$ 38.61	13.73
Area 4.....	\$ 35.45	13.68

AREA 1: Butte, Colusa, El Dorado, Glenn, Lassen, Modoc, Nevada, Placer, Plumas, Sacramento, Shasta, Sierra, Sutter, Tehama, Yolo, Yuba

AREA 2: Alpine, Amador

AREA 3: Marin, Napa, Solano, Siskiyou

AREA 4: Sonoma

-----  
BRCA0003-014 08/01/2008

	Rates	Fringes
MARBLE MASON.....	\$ 39.22	18.58

-----  
CARP0034-001 07/01/2010

	Rates	Fringes
Diver		
Assistant Tender, ROV		
Tender/Technician.....	\$ 36.75	26.34
Diver standby.....	\$ 41.43	26.34
Diver Tender.....	\$ 40.43	26.34

Diver wet.....	\$ 82.86	26.34
Manifold Operator (mixed gas).....	\$ 45.43	26.34
Manifold Operator (Standby).....	\$ 40.43	26.34

DEPTH PAY (Surface Diving):

050 to 100 ft	\$2.00 per foot
101 to 150 ft	\$3.00 per foot
151 to 220 ft	\$4.00 per foot

SATURATION DIVING:

The standby rate shall apply until saturation starts. The saturation diving rate applies when divers are under pressure continuously until work task and decompression are complete. The diver rate shall be paid for all saturation hours.

DIVING IN ENCLOSURES:

Where it is necessary for Divers to enter pipes or tunnels, or other enclosures where there is no vertical ascent, the following premium shall be paid: Distance traveled from entrance 26 feet to 300 feet: \$1.00 per foot. When it is necessary for a diver to enter any pipe, tunnel or other enclosure less than 48" in height, the premium will be \$1.00 per foot.

WORK IN COMBINATION OF CLASSIFICATIONS:

Employees working in any combination of classifications within the diving crew (except dive supervisor) in a shift are paid in the classification with the highest rate for that shift.

-----  
 CARP0034-003 07/01/2010

	Rates	Fringes
Piledriver.....	\$ 36.75	26.34

-----  
 CARP0035-001 08/01/2010

AREA 1: MARIN, NAPA, SOLANO & SONOMA

AREA 3: SACRAMENTO

AREA 4: ALPINE, BUTTE, COLUSA, EL DORADO, GLENN, LASSEN, MODOC, NEVADA, PLACER, PLUMAS, SHASTA, SIERRA, SISKIYOU, SUTTER, TEHAMA, TRINITY, YOLO & YUBA

	Rates	Fringes
Drywall Installers/Lathers:		
Area 1.....	\$ 37.50	23.58
Area 3.....	\$ 31.67	23.58
Area 4.....	\$ 30.77	23.58
Drywall Stocker/Scrapper		
Area 1.....	\$ 18.75	14.40
Area 3.....	\$ 15.84	14.40
Area 4.....	\$ 15.39	14.40

-----  
CARP0035-009 07/01/2010

Marin County

	Rates	Fringes
CARPENTER		
Bridge Builder/Highway Carpenter.....	\$ 37.50	23.14
Hardwood Floorlayer, Shingler, Power Saw Operator, Steel Scaffold & Steel Shoring Erector, Saw Filer.....	\$ 37.65	23.14
Journeyman Carpenter.....	\$ 37.50	23.14
Millwright.....	\$ 37.60	24.73

-----  
CARP0035-010 07/01/2010

AREA 1: Marin, Napa, Solano & Sonoma Counties

AREA 2: Alpine, San Benito and Santa Cruz

AREA 3: Alpine, Butte, Colusa, El Dorado, Glenn, Lassen, Modoc,  
Nevada, Placer, Plumas, Sacramento, Shasta, Sierra, Siskiyou,  
Sutter, Tehama, Trinity, Yolo & Yuba counties

	Rates	Fringes
Modular Furniture Installer		
Area 1		
Installer I.....	\$ 22.11	14.98
Installer II.....	\$ 18.68	14.98
Lead Installer.....	\$ 25.56	15.48
Master Installer.....	\$ 29.78	15.48
Area 2		
Installer I.....	\$ 19.46	14.98
Installer II.....	\$ 16.51	14.98
Lead Installer.....	\$ 22.43	15.48
Master Installer.....	\$ 26.06	15.48
Area 3		
Installer I.....	\$ 18.51	14.98
Installer II.....	\$ 15.74	14.98
Lead Installer.....	\$ 21.31	15.48
Master Installer.....	\$ 24.73	15.48

-----  
CARP0046-001 07/01/2010

El Dorado (West), Placer (West), Sacramento and Yolo Counties

	Rates	Fringes
Carpenters		
Bridge Builder/Highway Carpenter.....	\$ 37.50	23.14
Hardwood Floorlayer, Shingler, Power Saw		

El Dorado Trail Culvert Replacement  
Contract No. PW 11-30587, Project No. 99565  
Addendum No. 1

County of El Dorado, DOT  
Revised Appendix B  
Page AB-5

Operator, Steel Scaffold & Steel Shoring Erector, Saw Filer.....	\$ 31.32	23.14
Journeyman Carpenter.....	\$ 31.62	23.14
Millwright.....	\$ 33.67	24.73

Footnote: Placer County (West) includes territory West of and including Highway 49 and El Dorado County (West) includes territory West of and including Highway 49 and territory inside the city limits of Placerville.

CARP0046-002 07/01/2010

Alpine, Colusa, El Dorado (East), Nevada, Placer (East),  
Sierra, Sutter and Yuba Counties

	Rates	Fringes
Carpenters		
Bridge Builder/Highway Carpenter.....	\$ 37.50	23.14
Hardwood Floorlayer, Shingler, Power Saw Operator, Steel Scaffold & Steel Shoring Erector, Saw Filer.....	\$ 30.42	23.14
Journeyman Carpenter.....	\$ 30.27	23.14
Millwright.....	\$ 34.12	24.73

CARP0152-003 07/01/2010

Amador County

	Rates	Fringes
Carpenters		
Bridge Builder/Highway Carpenter.....	\$ 37.50	23.14
Hardwood Floorlayer, Shingler, Power Saw Operator, Steel Scaffold & Steel Shoring Erector, Saw Filer.....	\$ 30.42	23.14
Journeyman Carpenter.....	\$ 30.27	23.14
Millwright.....	\$ 32.77	24.73

CARP0180-001 07/01/2010

Solano County

	Rates	Fringes
Carpenters		
Bridge Builder/Highway Carpenter.....	\$ 37.50	23.14
Hardwood Floorlayer, Shingler, Power Saw Operator, Steel Scaffold &		

Steel Shoring Erector, Saw Filer.....	\$ 37.65	23.14
Journeyman Carpenter.....	\$ 37.50	23.14
Millwright.....	\$ 37.60	24.73

-----  
 CARP0751-001 07/01/2010

Napa and Sonoma Counties

	Rates	Fringes
Carpenters		
Bridge Builder/Highway Carpenter.....	\$ 37.50	23.14
Hardwood Floorlayer, Shingler, Power Saw Operator, Steel Scaffold & Steel Shoring Erector, Saw Filer.....	\$ 37.65	23.14
Journeyman Carpenter.....	\$ 37.50	23.14
Millwright.....	\$ 37.60	24.73

-----  
 CARP1599-001 07/01/2010

Butte, Glenn, Lassen, Modoc, Plumas, Shasta, Siskiyou, Tehama  
 and Trinity Counties

	Rates	Fringes
Carpenters		
Bridge Builder/Highway Carpenter.....	\$ 37.50	23.14
Hardwood Floorlayer, Shingler, Power Saw Operator, Steel Scaffold & Steel Shoring Erector, Saw Filer.....	\$ 30.42	23.14
Journeyman Carpenter.....	\$ 30.27	23.14
Millwright.....	\$ 32.77	24.73

-----  
 ELEC0006-002 12/01/2008

MARIN, NAPA, SOLANO & SONOMA COUNTIES

	Rates	Fringes
Sound & Communications		
Installer.....	\$ 29.87	3%+11.95
Technician.....	\$ 34.01	3%+11.95

SCOPE OF WORK INCLUDES-  
 SOUND & VOICE TRANSMISSION (Music, Intercom, Nurse Call,  
 Telephone); FIRE ALARM SYSTEMS [excluding fire alarm work  
 when installed in raceways (including wire and cable  
 pulling) and when performed on new or major remodel  
 building projects or jobs],  
 TELEVISION & VIDEO SYSTEMS, SECURITY SYSTEMS, COMMUNICATIONS  
 SYSTEMS that transmit or receive information and/or control

systems that are intrinsic to the above.

EXCLUDES-

Excludes all other data systems or multiple systems which include control function or power supply; excludes installation of raceway systems, line voltage work, industrial work, life-safety systems (all buildings having floors located more than 75' above the lowest floor level having building access); excludes energy management systems.

-----  
ELEC0180-001 06/01/2010

NAPA AND SOLANO COUNTIES

	Rates	Fringes
CABLE SPLICER.....	\$ 46.92	3%+18.10
ELECTRICIAN.....	\$ 41.71	3%+18.10

-----  
ELEC0340-002 12/01/2010

ALPINE, AMADOR, BUTTE, COLUSA, EL DORADO, GLENN, LASSEN, NEVADA, PLACER, PLUMAS, SACRAMENTO, TRINITY, YOLO, YUBA COUNTIES

	Rates	Fringes
Communications System		
Sound & Communications		
Installer.....	\$ 24.13	3%+10.65
Sound & Communications		
Technician.....	\$ 27.75	3%+10.65

SCOPE OF WORK

Includes the installation testing, service and maintenance, of the following systems which utilize the transmission and/or transference of voice, sound, vision and digital for commercial, education, security and entertainment purposes for the following TV monitoring and surveillance, background-foreground music, intercom and telephone interconnect, inventory control systems, microwave transmission, multi-media, multiplex, nurse call system, radio page, school intercom and sound, burglar alarms, and low voltage master clock systems.

A. SOUND AND VOICE TRANSMISSION/TRANSFERENCE SYSTEMS

Background foreground music Intercom and telephone interconnect systems, Telephone systems, Nurse call systems, Radio page systems, School intercom and sound systems, Burglar alarm systems, Low voltage master clock systems, Multi-media/multiplex systems, Sound and musical entertainment systems, RF systems, Antennas and Wave Guide.

B. FIRE ALARM SYSTEMS

Installation, wire pulling and testing

C. TELEVISION AND VIDEO SYSTEMS           Television monitoring and

surveillance systems, Video security systems, Video entertainment systems, Video educational systems, Microwave transmission systems, CATV and CCTV

D. SECURITY SYSTEMS      Perimeter security systems  
 Vibration sensor systems      Card access systems      Access control systems      Sonar/infrared monitoring equipment

E. COMMUNICATIONS SYSTEMS THAT TRANSMIT OR RECEIVE INFORMATION AND/OR CONTROL SYSTEMS THAT ARE INTRINSIC TO THE ABOVE LISTED SYSTEMS      SCADA (Supervisory Control and Data Acquisition)      PCM (Pulse Code Modulation)  
 Inventory Control Systems      Digital Data Systems  
 Broadband and Baseband and Carriers      Point of Sale Systems      VSAT Data Systems      Data Communication Systems      RF and Remote Control Systems      Fiber Optic Data Systems  
 WORK EXCLUDED Raceway systems are not covered (excluding Ladder-Rack for the purpose of the above listed systems). Chases and/or nipples (not to exceed 10 feet) may be installed on open wiring systems. Energy management systems. SCADA (Supervisory Control and Data Acquisition) when not intrinsic to the above listed systems (in the scope). Fire alarm systems when installed in raceways (including wire and cable pulling) shall be performed at the electrician wage rate, when either of the following two (2) conditions apply:  
 1. The project involves new or major remodel building trades construction.  
 2. The conductors for the fire alarm system are installed in conduit.

-----  
 \* ELEC0340-003 06/01/2011

ALPINE (West of Sierra Mt. Watershed), AMADOR, BUTTE, COLUSA, EL DORADO (West of Sierra Mt. Watershed), GLENN, LASSEN, NEVADA (West of Sierra Mt. Watershed), PLACER, PLUMAS, SACRAMENTO, SHASTA, SIERRA (West of Sierra Mt. Watershed), SUTTER, TEHAMA, TRINITY, YOLO & YUBA COUNTIES

	Rates	Fringes
ELECTRICIAN		
Remaining area.....	\$ 38.93	16.57
Sierra Army Depot, Herlong..	\$ 48.66	3%+13.25
Tunnel work.....	\$ 40.88	3%+13.25

CABLE SPLICER: Receives 110% of the Electrician basic hourly rate.

-----  
 ELEC0401-005 12/01/2009

ALPINE (east of the main watershed divide), EL DORADO (east of the main watershed divide), NEVADA (east of the main watershed), PLACER (east of the main watershed divide) and SIERRA (east of the main watershed divide) COUNTIES:

Rates	Fringes
-------	---------

ELECTRICIAN.....\$ 35.40 13.02+3%

ELEC0551-004 06/01/2009

MARIN AND SONOMA COUNTIES

	Rates	Fringes
ELECTRICIAN.....	\$ 44.00	3%+13.00

ELEC0659-006 01/01/2011

DEL NORTE, MODOC and SISKIYOU COUNTIES

	Rates	Fringes
ELECTRICIAN.....	\$ 29.78	3%+\$13.55

ELEC0659-008 02/01/2010

DEL NORTE, MODOC & SISKIYOU COUNTIES

	Rates	Fringes
Line Construction		
(1) Cable Splicer.....	\$ 47.34	13.74
(2) Lineman, Pole Sprayer, Heavy Line Equipment Man....	\$ 42.27	13.54
(3) Tree Trimmer.....	\$ 29.70	9.94
(4) Line Equipment Man.....	\$ 36.35	10.85
(5) Powdermen, Jackhammermen.....	\$ 31.90	10.00
(6) Groundman.....	\$ 29.59	10.24

ELEC1245-004 06/01/2009

ALL COUNTIES EXCEPT DEL NORTE, MODOC & SISKIYOU

	Rates	Fringes
LINE CONSTRUCTION		
(1) Lineman; Cable splicer..	\$ 44.47	13.11
(2) Equipment specialist (operates crawler tractors, commercial motor vehicles, backhoes, trenchers, cranes (50 tons and below), overhead & underground distribution line equipment).....	\$ 35.52	12.07
(3) Groundman.....	\$ 27.17	11.82
(4) Powderman.....	\$ 39.71	12.23

HOLIDAYS: New Year's Day, M.L. King Day, Memorial Day, Independence Day, Labor Day, Veterans Day, Thanksgiving Day and day after Thanksgiving, Christmas Day

ELEV0008-001 01/01/2010

El Dorado Trail Culvert Replacement  
Contract No. PW 11-30587, Project No. 99565  
Addendum No. 1

County of El Dorado, DOT  
Revised Appendix B  
Page AB-10



	Rates	Fringes
ELEVATOR MECHANIC.....	\$ 54.89	20.035

FOOTNOTE:

PAID VACATION: Employer contributes 8% of regular hourly rate as vacation pay credit for employees with more than 5 years of service, and 6% for 6 months to 5 years of service.  
 PAID HOLIDAYS: New Years Day, Memorial Day, Independence Day, Labor Day, Veterans Day, Thanksgiving Day, Friday after Thanksgiving, and Christmas Day.

-----  
 ENGI0003-008 07/01/2009

	Rates	Fringes
Dredging: (DREDGING; CLAMSHELL & DIPPER DREDGING; HYDRAULIC SUCTION DREDGING:)		
AREA 1:		
(1) Leverman.....	\$ 38.94	22.58
(2) Dredge Dozer; Heavy duty repairman.....	\$ 33.98	22.58
(3) Booster Pump Operator; Deck Engineer; Deck mate; Dredge Tender; Winch Operator.....	\$ 32.86	22.58
(4) Bargeman; Deckhand; Fireman; Leveehand; Oiler..	\$ 29.56	22.58
AREA 2:		
(1) Leverman.....	\$ 40.94	22.58
(2) Dredge Dozer; Heavy duty repairman.....	\$ 35.98	22.58
(3) Booster Pump Operator; Deck Engineer; Deck mate; Dredge Tender; Winch Operator.....	\$ 34.86	22.58
(4) Bargeman; Deckhand; Fireman; Leveehand; Oiler..	\$ 31.56	22.58

AREA DESCRIPTIONS

AREA 1: ALAMEDA, BUTTE, CONTRA COSTA, KINGS, MARIN, MERCED, NAPA, SACRAMENTO, SAN BENITO, SAN FRANCISCO, SAN JOAQUIN, SAN MATEO, SANTA CLARA, SANTA CRUZ, SOLANO, STANISLAUS, SUTTER, YOLO, AND YUBA COUNTIES

AREA 2: MODOC COUNTY

THE REMAINING COUNTIES ARE SPLIT BETWEEN AREA 1 AND AREA 2 AS NOTED BELOW:

ALPINE COUNTY:

Area 1: Northernmost part  
 Area 2: Remainder

El Dorado Trail Culvert Replacement  
 Contract No. PW 11-30587, Project No. 99565  
 Addendum No. 1

County of El Dorado, DOT  
 Revised Appendix B  
 Page AB-11

CALAVERAS COUNTY:

Area 1: Remainder  
Area 2: Eastern part

COLUSA COUNTY:

Area 1: Eastern part  
Area 2: Remainder

ELDORADO COUNTY:

Area 1: North Central part  
Area 2: Remainder

FRESNO COUNTY:

Area 1: Remainder  
Area 2: Eastern part

GLENN COUNTY:

Area 1: Eastern part  
Area 2: Remainder

LASSEN COUNTY:

Area 1: Western part along the Southern portion of border  
with Shasta County  
Area 2: Remainder

MADERA COUNTY:

Area 1: Except Eastern part  
Area 2: Eastern part

MARIPOSA COUNTY

Area 1: Except Eastern part  
Area 2: Eastern part

MONTERREY COUNTY

Area 1: Except Southwestern part  
Area 2: Southwestern part

NEVADA COUNTY:

Area 1: All but the Northern portion along the border of  
Sierra County  
Area 2: Remainder

PLACER COUNTY:

Area 1: Al but the Central portion  
Area 2: Remainder

PLUMAS COUNTY:

Area 1: Western portion  
Area 2: Remainder

SHASTA COUNTY:

Area 1: All but the Northeastern corner  
Area 2: Remainder

SIERRA COUNTY:

Area 1: Western part  
Area 2: Remainder

SISKIYOU COUNTY:  
 Area 1: Central part  
 Area 2: Remainder

SONOMA COUNTY:  
 Area 1: All but the Northwestern corner  
 Area 2: Remainder

TEHAMA COUNTY:  
 Area 1: All but the Western border with Mendocino & Trinity  
 Counties  
 Area 2: Remainder

TRINITY COUNTY:  
 Area 1: East Central part and the Northeastern border with  
 Shasta County  
 Area 2: Remainder

TUOLUMNE COUNTY:  
 Area 1: Except Eastern part  
 Area 2: Eastern part

-----  
 ENGI0003-018 07/01/2010

"AREA 1" WAGE RATES ARE LISTED BELOW

"AREA 2" RECEIVES AN ADDITIONAL \$2.00 PER HOUR ABOVE AREA 1  
 RATES.

SEE AREA DEFINITIONS BELOW

	Rates	Fringes
OPERATOR: Power Equipment		
(AREA 1:)		
GROUP 1.....	\$ 37.77	23.00
GROUP 2.....	\$ 36.24	23.00
GROUP 3.....	\$ 34.76	23.00
GROUP 4.....	\$ 33.38	23.00
GROUP 5.....	\$ 32.11	23.00
GROUP 6.....	\$ 30.79	23.00
GROUP 7.....	\$ 29.65	23.00
GROUP 8.....	\$ 28.51	23.00
GROUP 8-A.....	\$ 28.30	23.00
OPERATOR: Power Equipment		
(Cranes and Attachments -		
AREA 1:)		
GROUP 1		
Cranes.....	\$ 38.65	23.00
Oiler.....	\$ 29.39	23.00
Truck crane oiler.....	\$ 31.68	23.00
GROUP 2		
Cranes.....	\$ 36.89	23.00
Oiler.....	\$ 29.18	23.00
Truck crane oiler.....	\$ 31.42	23.00
GROUP 3		
Cranes.....	\$ 35.14	23.00

Hydraulic.....	\$ 30.79	23.00
Oiler.....	\$ 28.90	23.00
Truck Crane Oiler.....	\$ 31.18	23.00
OPERATOR: Power Equipment		
(Piledriving - AREA 1:)		
GROUP 1		
Lifting devices.....	\$ 38.99	23.00
Oiler.....	\$ 29.73	23.00
Truck crane oiler.....	\$ 32.01	23.00
GROUP 2		
Lifting devices.....	\$ 37.17	23.00
Oiler.....	\$ 29.46	23.00
Truck Crane Oiler.....	\$ 31.76	23.00
GROUP 3		
Lifting devices.....	\$ 35.49	23.00
Oiler.....	\$ 29.24	23.00
Truck Crane Oiler.....	\$ 31.47	23.00
GROUP 4.....	\$ 33.72	23.00
GROUP 5.....	\$ 31.08	23.00
GROUP 6.....	\$ 28.85	23.00
OPERATOR: Power Equipment		
(Steel Erection - AREA 1:)		
GROUP 1		
Cranes.....	\$ 39.62	23.00
Oiler.....	\$ 30.07	23.00
Truck Crane Oiler.....	\$ 32.30	23.00
GROUP 2		
Cranes.....	\$ 37.85	23.00
Oiler.....	\$ 29.80	23.00
Truck Crane Oiler.....	\$ 32.08	23.00
GROUP 3		
Cranes.....	\$ 36.37	23.00
Hydraulic.....	\$ 31.42	23.00
Oiler.....	\$ 29.58	23.00
Truck Crane Oiler.....	\$ 31.81	23.00
GROUP 4.....	\$ 34.35	23.00
GROUP 5.....	\$ 33.05	23.00
OPERATOR: Power Equipment		
(Tunnel and Underground Work		
- AREA 1:)		
SHAFTS, STOPES, RAISES:		
GROUP 1.....	\$ 33.87	23.00
GROUP 1-A.....	\$ 36.34	23.00
GROUP 2.....	\$ 32.61	23.00
GROUP 3.....	\$ 31.28	23.00
GROUP 4.....	\$ 30.14	23.00
GROUP 5.....	\$ 29.00	23.00
UNDERGROUND:		
GROUP 1.....	\$ 33.77	23.00
GROUP 1-A.....	\$ 36.34	23.00
GROUP 2.....	\$ 32.51	23.00
GROUP 3.....	\$ 31.18	23.00
GROUP 4.....	\$ 30.04	23.00
GROUP 5.....	\$ 28.90	23.00

FOOTNOTE: Work suspended by ropes or cables, or work on a Yo-Yo Cat: \$.60 per hour additional.

## POWER EQUIPMENT OPERATOR CLASSIFICATIONS

GROUP 1: Operator of helicopter (when used in erection work); Hydraulic excavator, 7 cu. yds. and over; Power shovels, over 7 cu. yds.

GROUP 2: Highline cableway; Hydraulic excavator, 3-1/2 cu. yds. up to 7 cu. yds.; Licensed construction work boat operator, on site; Power blade operator (finish); Power shovels, over 1 cu. yd. up to and including 7 cu. yds. m.r.c.

GROUP 3: Asphalt milling machine; Cable backhoe; Combination backhoe and loader over 3/4 cu. yds.; Continuous flight tie back machine assistant to engineer or mechanic; Crane mounted continuous flight tie back machine, tonnage to apply; Crane mounted drill attachment, tonnage to apply; Dozer, slope brd; Gradall; Hydraulic excavator, up to 3 1/2 cu. yds.; Loader 4 cu. yds. and over; Long reach excavator; Multiple engine scraper (when used as push pull); Power shovels, up to and including 1 cu. yd.; Pre-stress wire wrapping machine; Side boom cat, 572 or larger; Track loader 4 cu. yds. and over; Wheel excavator (up to and including 750 cu. yds. per hour)

GROUP 4: Asphalt plant engineer/box person; Chicago boom; Combination backhoe and loader up to and including 3/4 cu. yd.; Concrete batch plant (wet or dry); Dozer and/or push cat; Pull-type elevating loader; Gradesetter, grade checker (GPS, mechanical or otherwise); Grooving and grinding machine; Heading shield operator; Heavy-duty drilling equipment, Hughes, LDH, Watson 3000 or similar; Heavy-duty repairperson and/or welder; Lime spreader; Loader under 4 cu. yds.; Lubrication and service engineer (mobile and grease rack); Mechanical finishers or spreader machine (asphalt, Barber-Greene and similar); Miller Formless M-9000 slope paver or similar; Portable crushing and screening plants; Power blade support; Roller operator, asphalt; Rubber-tired scraper, self-loading (paddle-wheels, etc.); Rubber-tired earthmoving equipment (scrapers); Slip form paver (concrete); Small tractor with drag; Soil stabilizer (P & H or equal); Spider plow and spider puller; Tubex pile rig; Unlicensed construction work boat operator, on site; Timber skidder; Track loader up to 4 yds.; Tractor-drawn scraper; Tractor, compressor drill combination; Welder; Woods-Mixer (and other similar Pugmill equipment)

GROUP 5: Cast-in-place pipe laying machine; Combination slusher and motor operator; Concrete conveyor or concrete pump, truck or equipment mounted; Concrete conveyor, building site; Concrete pump or pumpcrete gun; Drilling equipment, Watson 2000, Texoma 700 or similar; Drilling and boring machinery, horizontal (not to apply to waterliners, wagon drills or jackhammers); Concrete mixer/all; Person and/or material hoist; Mechanical finishers (concrete) (Clary, Johnson, Bidwell Bridge Deck or similar types); Mechanical burm, curb and/or curb and gutter machine,

concrete or asphalt); Mine or shaft hoist; Portable crusher; Power jumbo operator (setting slip-forms, etc., in tunnels); Screed (automatic or manual); Self-propelled compactor with dozer; Tractor with boom D6 or smaller; Trenching machine, maximum digging capacity over 5 ft. depth; Vermeer T-600B rock cutter or similar

GROUP 6: Armor-Coater (or similar); Ballast jack tamper; Boom- type backfilling machine; Assistant plant engineer; Bridge and/or gantry crane; Chemical grouting machine, truck-mounted; Chip spreading machine operator; Concrete saw (self-propelled unit on streets, highways, airports and canals); Deck engineer; Drilling equipment Texoma 600, Hughes 200 Series or similar up to and including 30 ft. m.r.c.; Drill doctor; Helicopter radio operator; Hydro-hammer or similar; Line master; Skidsteer loader, Bobcat larger than 743 series or similar (with attachments); Locomotive; Lull hi-lift or similar; Oiler, truck mounted equipment; Pavement breaker, truck-mounted, with compressor combination; Paving fabric installation and/or laying machine; Pipe bending machine (pipelines only); Pipe wrapping machine (tractor propelled and supported); Screed (except asphaltic concrete paving); Self-propelled pipeline wrapping machine; Soils & materials tester; Tractor; Self-loading chipper; Concrete barrier moving machine

GROUP 7: Ballast regulator; Boom truck or dual-purpose A-frame truck, non-rotating - under 15 tons; Truck-mounted rotating telescopic boom type lifting device, Manitex or similar (boom truck) - under 15 tons; Cary lift or similar; Combination slurry mixer and/or cleaner; Drilling equipment, 20 ft. and under m.r.c.; Firetender (hot plant); Grouting machine operator; Highline cableway signalperson; Stationary belt loader (Kolman or similar); Lift slab machine (Vagtborg and similar types); Maginnes internal full slab vibrator; Material hoist (1 drum); Mechanical trench shield; Pavement breaker with or without compressor combination; Pipe cleaning machine (tractor propelled and supported); Post driver; Roller (except asphalt); Chip Seal; Self-propelled automatically applied concrete curing machine (on streets, highways, airports and canals); Self-propelled compactor (without dozer); Signalperson; Slip-form pumps (lifting device for concrete forms); Tie spacer; Tower mobile; Trenching machine, maximum digging capacity up to and including 5 ft. depth; Truck- type loader

GROUP 8: Bit sharpener; Boiler tender; Box operator; Brakeperson; Combination mixer and compressor (shotcrete/gunite); Compressor operator; Deckhand; Fire tender; Forklift (under 20 ft.); Generator; Gunite/shotcrete equipment operator; Hydraulic monitor; Ken seal machine (or similar); Mixermobile; Oiler; Pump operator; Refrigeration plant; Reservoir-debris tug (self-propelled floating); Ross Carrier (construction site); Rotomist operator; Self-propelled tape machine; Shuttlecar; Self-propelled power sweeper operator (includes vacuum sweeper); Slusher operator; Surface heater; Switchperson;

Tar pot firetender; Tugger hoist, single drum; Vacuum cooling plant; Welding machine (powered other than by electricity)

GROUP 8-A: Elevator operator; Skidsteer loader-Bobcat 743 series or smaller, and similar (without attachments); Mini excavator under 25 H.P. (backhoe-trencher); Tub grinder wood chipper

---

ALL CRANES AND ATTACHMENTS

GROUP 1: Clamshell and dragline over 7 cu. yds.; Crane, over 100 tons; Derrick, over 100 tons; Derrick barge pedestal-mounted, over 100 tons; Self-propelled boom-type lifting device, over 100 tons

GROUP 2: Clamshell and dragline over 1 cu. yd. up to and including 7 cu. yds.; Crane, over 45 tons up to and including 100 tons; Derrick barge, 100 tons and under; Self-propelled boom-type lifting device, over 45 tons; Tower crane

GROUP 3: Clamshell and dragline up to and including 1 cu. yd.; Cranes 45 tons and under; Self-propelled boom-type lifting device 45 tons and under; Boom Truck or dual purpose A-frame truck, non-rotating over 15 tons; Truck-mounted rotating telescopic boom type lifting device, Manitex or similar (boom truck) over 15 tons;

---

PILEDRIVERS

GROUP 1: Derrick barge pedestal mounted over 100 tons; Clamshell over 7 cu. yds.; Self-propelled boom-type lifting device over 100 tons; Truck crane or crawler, land or barge mounted over 100 tons

GROUP 2: Derrick barge pedestal mounted 45 tons to and including 100 tons; Clamshell up to and including 7 cu. yds.; Self-propelled boom-type lifting device over 45 tons; Truck crane or crawler, land or barge mounted, over 45 tons up to and including 100 tons; Fundex F-12 hydraulic pile rig

GROUP 3: Derrick barge pedestal mounted under 45 tons; Self-propelled boom-type lifting device 45 tons and under; Skid/scow piledriver, any tonnage; Truck crane or crawler, land or barge mounted 45 tons and under

GROUP 4: Assistant operator in lieu of assistant to engineer; Forklift, 10 tons and over; Heavy-duty repairperson/welder

GROUP 5: Deck engineer

GROUP 6: Deckhand; Fire tender

-----

STEEL ERECTORS

GROUP 1: Crane over 100 tons; Derrick over 100 tons; Self-propelled boom-type lifting device over 100 tons

GROUP 2: Crane over 45 tons to 100 tons; Derrick under 100 tons; Self-propelled boom-type lifting device over 45 tons to 100 tons; Tower crane

GROUP 3: Crane, 45 tons and under; Self-propelled boom-type lifting device, 45 tons and under

GROUP 4: Chicago boom; Forklift, 10 tons and over; Heavy-duty repair person/welder

GROUP 5: Boom cat

-----

--

TUNNEL AND UNDERGROUND WORK

GROUP 1-A: Tunnel bore machine operator, 20' diameter or more

GROUP 1: Heading shield operator; Heavy-duty repairperson; Mucking machine (rubber tired, rail or track type); Raised bore operator (tunnels); Tunnel mole bore operator

GROUP 2: Combination slusher and motor operator; Concrete pump or pumpcrete gun; Power jumbo operator

GROUP 3: Drill doctor; Mine or shaft hoist

GROUP 4: Combination slurry mixer cleaner; Grouting Machine operator; Motorman

GROUP 5: Bit Sharpener; Brakeman; Combination mixer and compressor (gunite); Compressor operator; Oiler; Pump operator; Slusher operator

-----

AREA DESCRIPTIONS:

POWER EQUIPMENT OPERATORS, CRANES AND ATTACHMENTS, TUNNEL AND UNDERGROUND [These areas do not apply to Piledrivers and Steel Erectors]

AREA 1: ALAMEDA, BUTTE, CONTRA COSTA, KINGS, MARIN, MERCED, NAPA, SACRAMENTO, SAN BENITO, SAN FRANCISCO, SAN JOAQUIN, SAN MATEO, SANTA CLARA, SANTA CRUZ, SOLANO, STANISLAUS, SUTTER, YOLO, AND YUBA COUNTIES

AREA 2 - MODOC COUNTY

THE REMAINING COUNTIES ARE SPLIT BETWEEN AREA 1 AND AREA 2 AS

El Dorado Trail Culvert Replacement  
Contract No. PW 11-30587, Project No. 99565  
Addendum No. 1

County of El Dorado, DOT  
Revised Appendix B  
Page AB-18

11-0760.2A.24



NOTED BELOW:

ALPINE COUNTY:

Area 1: Northernmost part

Area 2: Remainder

CALAVERAS COUNTY:

Area 1: Except Eastern part

Area 2: Eastern part

COLUSA COUNTY:

Area 1: Eastern part

Area 2: Remainder

DEL NORTE COUNTY:

Area 1: Extreme Southwestern corner

Area 2: Remainder

ELDORADO COUNTY:

Area 1: North Central part

Area 2: Remainder

FRESNO COUNTY

Area 1: Except Eastern part

Area 2: Eastern part

GLENN COUNTY:

Area 1: Eastern part

Area 2: Remainder

HUMBOLDT COUNTY:

Area 1: Except Eastern and Southwestern parts

Area 2: Remainder

LAKE COUNTY:

Area 1: Southern part

Area 2: Remainder

LASSEN COUNTY:

Area 1: Western part along the Southern portion of border  
with Shasta County

Area 2: Remainder

MADERA COUNTY

Area 1: Remainder

Area 2: Eastern part

MARIPOSA COUNTY

Area 1: Remainder

Area 2: Eastern part

MENDOCINO COUNTY:

Area 1: Central and Southeastern parts

Area 2: Remainder

MONTEREY COUNTY

Area 1: Remainder

Area 2: Southwestern part

NEVADA COUNTY:

Area 1: All but the Northern portion along the border of Sierra County  
Area 2: Remainder

PLACER COUNTY:

Area 1: All but the Central portion  
Area 2: Remainder

PLUMAS COUNTY:

Area 1: Western portion  
Area 2: Remainder

SHASTA COUNTY:

Area 1: All but the Northeastern corner  
Area 2: Remainder

SIERRA COUNTY:

Area 1: Western part  
Area 2: Remainder

SISKIYOU COUNTY:

Area 1: Central part  
Area 2: Remainder

SONOMA COUNTY:

Area 1: All but the Northwestern corner  
Area 2: Reaminder

TEHAMA COUNTY:

Area 1: All but the Western border with mendocino & Trinity Counties  
Area 2: Remainder

TRINITY COUNTY:

Area 1: East Central part and the Northeaster border with Shasta County  
Area 2: Remainder

TULARE COUNTY;

Area 1: Remainder  
Area 2: Eastern part

TUOLUMNE COUNTY:

Area 1: Remainder  
Area 2: Eastern Part

-----  
ENGI0003-019 06/29/2009

SEE AREA DESCRIPTIONS BELOW

	Rates	Fringes
OPERATOR: Power Equipment (LANDSCAPE WORK ONLY)		
GROUP 1		
AREA 1.....	\$ 28.64	20.53

AREA 2.....	\$ 30.64	20.53
GROUP 2		
AREA 1.....	\$ 25.04	20.53
AREA 2.....	\$ 27.04	20.53
GROUP 3		
AREA 1.....	\$ 20.43	20.53
AREA 2.....	\$ 22.43	20.53

GROUP DESCRIPTIONS:

GROUP 1: Landscape Finish Grade Operator: All finish grade work regardless of equipment used, and all equipment with a rating more than 65 HP.

GROUP 2: Landscape Operator up to 65 HP: All equipment with a manufacturer's rating of 65 HP or less except equipment covered by Group 1 or Group 3. The following equipment shall be included except when used for finish work as long as manufacturer's rating is 65 HP or less: A-Frame and Winch Truck, Backhoe, Forklift, Hydragraphic Seeder Machine, Roller, Rubber-Tired and Track Earthmoving Equipment, Skiploader, Straw Blowers, and Trencher 31 HP up to 65 HP.

GROUP 3: Landscape Utility Operator: Small Rubber-Tired Tractor, Trencher Under 31 HP.

AREA DESCRIPTIONS:

AREA 1: ALAMEDA, BUTTE, CONTRA COSTA, KINGS, MARIN, MERCED, NAPA, SACRAMENTO, SAN BENITO, SAN FRANCISCO, SAN JOAQUIN, SAN MATEO, SANTA CLARA, SANTA CRUZ, SOLANO, STANISLAUS, SUTTER, YOLO, AND YUBA COUNTIES

AREA 2 - MODOC COUNTY

THE REMAINING COUNTIES ARE SPLIT BETWEEN AREA 1 AND AREA 2 AS NOTED BELOW:

ALPINE COUNTY:

Area 1: Northernmost part  
Area 2: Remainder

CALAVERAS COUNTY:

Area 1: Except Eastern part  
Area 2: Eastern part

COLUSA COUNTY:

Area 1: Eastern part  
Area 2: Remainder

DEL NORTE COUNTY:

Area 1: Extreme Southwestern corner  
Area 2: Remainder

ELDORADO COUNTY:

Area 1: North Central part  
Area 2: Remainder

FRESNO COUNTY

Area 1: Except Eastern part

Area 2: Eastern part

GLENN COUNTY:

Area 1: Eastern part

Area 2: Remainder

HUMBOLDT COUNTY:

Area 1: Except Eastern and Southwestern parts

Area 2: Remainder

LAKE COUNTY:

Area 1: Southern part

Area 2: Remainder

LASSEN COUNTY:

Area 1: Western part along the Southern portion of border  
with Shasta County

Area 2: Remainder

MADERA COUNTY

Area 1: Remainder

Area 2: Eastern part

MARIPOSA COUNTY

Area 1: Remainder

Area 2: Eastern part

MENDOCINO COUNTY:

Area 1: Central and Southeastern parts

Area 2: Remainder

MONTEREY COUNTY

Area 1: Remainder

Area 2: Southwestern part

NEVADA COUNTY:

Area 1: All but the Northern portion along the border of  
Sierra County

Area 2: Remainder

PLACER COUNTY:

Area 1: All but the Central portion

Area 2: Remainder

PLUMAS COUNTY:

Area 1: Western portion

Area 2: Remainder

SHASTA COUNTY:

Area 1: All but the Northeastern corner

Area 2: Remainder

SIERRA COUNTY:

Area 1: Western part

Area 2: Remainder

SISKIYOU COUNTY:  
Area 1: Central part  
Area 2: Remainder

SONOMA COUNTY:  
Area 1: All but the Northwestern corner  
Area 2: Reaminder

TEHAMA COUNTY:  
Area 1: All but the Western border with mendocino & Trinity  
Counties  
Area 2: Remainder

TRINITY COUNTY:  
Area 1: East Central part and the Northeaster border with  
Shasta County  
Area 2: Remainder

TULARE COUNTY;  
Area 1: Remainder  
Area 2: Eastern part

TUOLUMNE COUNTY:  
Area 1: Remainder  
Area 2: Eastern Part

-----  
IRON0002-004 07/01/2010

	Rates	Fringes
Ironworkers:		
Fence Erector.....	\$ 26.58	15.26
Ornamental, Reinforcing and Structural.....	\$ 33.00	23.73

PREMIUM PAY:

\$6.00 additional per hour at the following locations:

China Lake Naval Test Station, Chocolate Mountains Naval Reserve-Niland, Edwards AFB, Fort Irwin Military Station, Fort Irwin Training Center-Goldstone, San Clemente Island, San Nicholas Island, Susanville Federal Prison, 29 Palms - Marine Corps, U.S. Marine Base - Barstow, U.S. Naval Air Facility - Sealey, Vandenberg AFB

\$4.00 additional per hour at the following locations:

Army Defense Language Institute - Monterey, Fallon Air Base, Naval Post Graduate School - Monterey, Yermo Marine Corps Logistics Center

\$2.00 additional per hour at the following locations:

Port Hueneme, Port Mugu, U.S. Coast Guard Station - Two Rock

LABO0067-002 04/01/2010

AREA "A" - ALAMEDA, CONTRA COSTA, MARIN, SAN FRANCISCO, SAN MATEO AND SANTA CLARA COUNTIES

AREA "B" - ALPINE, AMADOR, BUTTE, CALAVERAS, COLUSA, DEL NORTE, EL DORADO, FRESNO, GLENN, HUMBOLDT, KINGS, LAKE, LASSEN, MADERA, MARIPOSA, MENDOCINO, MERCED, MODOC, MONTEREY, NAPA, NEVADA, PLACER, PLUMAS, SACRAMENTO, SAN BENITO, SAN JOAQUIN, SANTA CRUZ, SHASTA, SIERRA, SISKIYOU, SOLANO, SONOMA, STANISLAUS, SUTTER, TEHAMA, TRINITY, TULARE, TUOLUMNE, YOLO AND YUBA COUNTIES

	Rates	Fringes
Asbestos Removal Laborer		
Areas A & B.....	\$ 18.68	6.60
LABORER (Lead Removal)		
Area A.....	\$ 36.25	6.68
Area B.....	\$ 35.25	6.68

ASBESTOS REMOVAL-SCOPE OF WORK: Site mobilization; initial site clean-up; site preparation; removal of asbestos-containing materials from walls and ceilings; or from pipes, boilers and mechanical systems only if they are being scrapped; encapsulation, enclosure and disposal of asbestos-containing materials by hand or with equipment or machinery; scaffolding; fabrication of temporary wooden barriers; and assembly of decontamination stations.

LABO0067-003 07/01/2009

AREA A: ALAMEDA, CONTRA COSTA, MARIN, SAN FRANCISCO, SAN MATEO & SANTA CLARA

AREA B: ALPINE, AMADOR, BUTTE, CALAVERAS, COLUSA, DEL NORTE, EL DORADO, FRESNO, GLENN, HUMBOLDT, KINGS, LAKE, LASSEN, MADERA, MARIPOSA, MENOCINO, MERCED, MODOC, MONTEREY, NAPA, NEVADA, PLACER, PLUMAS, SANCRMENTO, SAN BENITO, SAN JOAQUIN, SANTA CRUZ, SIERRA, SHASTA, SISKIYOU, SOLANO, SONOMA, STANISLAUS,TEHAMA,TRINITY, TULARE, TUOLUMNE, YOLO & YUBA COUNTIES

	Rates	Fringes
LABORER (TRAFFIC CONTROL/LANE CLOSURE)		
Escort Driver, Flag Person		
Area A.....	\$ 26.89	14.93
Area B.....	\$ 25.89	14.93
Traffic Control Person I		
Area A.....	\$ 27.19	14.93
Area B.....	\$ 26.19	14.93
Traffic Control Person II		
Area A.....	\$ 24.69	14.93
Area B.....	\$ 23.69	14.93

TRAFFIC CONTROL PERSON I: Layout of traffic control, crash

cushions, construction area and roadside signage.

TRAFFIC CONTROL PERSON II: Installation and removal of temporary/permanent signs, markers, delineators and crash cushions.

LABO0067-006 06/28/2010

AREA "A" - ALAMEDA, CONTRA COSTA, MARIN, SAN FRANCISCO, SAN MATEO AND SANTA CLARA COUNTIES

AREA "B" - ALPINE, AMADOR, BUTTE, CALAVERAS, COLUSA, EL DORADO, FRESNO, GLENN, KINGS, LASSEN, MADERA, MARIPOSA, MERCED, MODOC, MONTEREY, NAPA, NEVADA, PLACER, PLUMAS, SACRAMENTO, SAN BENITO, SAN JOAQUIN, SANTA CRUZ, SHASTA, SIERRA, SISKIYOU, SOLANO, SONOMA, STANISLAUS, SUTTER, TEHAMA, TRINITY, TULARE, TUOLUMNE, YOLO AND YUBA COUNTIES

	Rates	Fringes
Laborers: (CONSTRUCTION CRAFT LABORERS - AREA A:)		
Construction Specialist		
Group.....	\$ 27.84	15.82
GROUP 1.....	\$ 27.14	15.82
GROUP 1-a.....	\$ 27.36	15.82
GROUP 1-c.....	\$ 27.19	15.82
GROUP 1-e.....	\$ 27.69	15.82
GROUP 1-f.....	\$ 27.72	15.82
GROUP 1-g (Contra Costa County).....	\$ 27.34	15.82
GROUP 2.....	\$ 26.99	15.82
GROUP 3.....	\$ 26.89	15.82
GROUP 4.....	\$ 20.58	15.82

See groups 1-b and 1-d under laborer classifications.

Laborers: (CONSTRUCTION CRAFT LABORERS - AREA B:)		
Construction Specialist		
Group.....	\$ 26.84	15.82
GROUP 1.....	\$ 26.14	15.82
GROUP 1-a.....	\$ 26.36	15.82
GROUP 1-c.....	\$ 26.19	15.82
GROUP 1-e.....	\$ 26.69	15.82
GROUP 1-f.....	\$ 26.72	15.82
GROUP 2.....	\$ 25.99	15.82
GROUP 3.....	\$ 25.89	15.82
GROUP 4.....	\$ 19.58	15.82

See groups 1-b and 1-d under laborer classifications.

Laborers: (GUNITITE - AREA A:)		
GROUP 1.....	\$ 28.10	15.82
GROUP 2.....	\$ 27.60	15.82
GROUP 3.....	\$ 27.60	15.82
GROUP 4.....	\$ 27.60	15.82
Laborers: (GUNITITE - AREA B:)		
GROUP 1.....	\$ 27.10	15.82
GROUP 2.....	\$ 26.60	15.82
GROUP 3.....	\$ 26.01	15.82
GROUP 4.....	\$ 25.89	15.82

Laborers: (WRECKING - AREA A:)		
GROUP 1.....	\$ 27.14	15.82
GROUP 2.....	\$ 26.99	15.82
Laborers: (WRECKING - AREA B:)		
GROUP 1.....	\$ 26.14	15.82
GROUP 2.....	\$ 25.99	15.82
Landscape Laborer (GARDENERS, HORTICULTURAL & LANDSCAPE LABORERS - AREA A:)		
(1) New Construction.....	\$ 26.89	15.82
(2) Establishment Warranty Period.....	\$ 20.58	15.82
Landscape Laborer (GARDENERS, HORTICULTURAL & LANDSCAPE LABORERS - AREA B:)		
(1) New Construction.....	\$ 25.89	15.82
(2) Establishment Warranty Period.....	\$ 19.58	15.82

FOOTNOTES:

Laborers working off or with or from bos'n chairs, swinging scaffolds, belts shall receive \$0.25 per hour above the applicable wage rate. This shall not apply to workers entitled to receive the wage rate set forth in Group 1-a below.

-----

LABORER CLASSIFICATIONS

CONSTRUCTION SPECIALIST GROUP: Asphalt ironer and raker; Chainsaw; Laser beam in connection with laborers' work; Cast-in- place manhole form setter; Pressure pipelayer; Davis trencher - 300 or similar type (and all small trenchers); Blaster; Diamond driller; Multiple unit drill; Hydraulic drill

GROUP 1: Asphalt spreader boxes (all types); Barko, Wacker and similar type tampers; Buggymobile; Caulker, bander, pipewrapper, conduit layer, plastic pipelayer; Certified hazardous waste worker including Leade Abatement; Compactors of all types; Concrete and magnesite mixer, 1/2 yd. and under; Concrete pan work; Concrete sander; Concrete saw; Cribber and/or shoring; Cut granite curb setter; Dri-pak-it machine; Faller, logloader and bucket; Form raiser, slip forms; Green cutter; Headerboard, Hubsetter, aligner, by any method; High pressure blow pipe (1-1/2" or over, 100 lbs. pressure/over); Hydro seeder and similar type; Jackhammer operator; Jacking of pipe over 12 inches; Jackson and similar type compactor; Kettle tender, pot and worker applying asphalt, lay-kold, creosote, lime, caustic and similar type materials (applying means applying, dipping or handling of such materials); Lagging, sheeting, whaling, bracing, trenchjacking, lagging hammer; Magnesite, epoxyresin, fiberglass, mastic worker (wet or dry); No joint pipe and stripping of same, including repair of voids; Pavement breaker and spader, including tool grinder;



Perma curb; Pipelayer (including grade checking in connection with pipelaying); Precast-manhole setter; Pressure pipe tester; Post hole digger, air, gas and electric; Power broom sweeper; Power tampers of all types (except as shown in Group 2); Ram set gun and stud gun; Riprap stonepaver and rock-slinger, including placing of sacked concrete and/or sand (wet or dry) and gabions and similar type; Rotary scarifier or multiple head concrete chipping scarifier; Roto and Ditch Witch; Rototiller; Sandblaster, pot, gun, nozzle operators; Signalling and rigging; Tank cleaner; Tree climber; Turbo blaster; Vibrascreed, bull float in connection with laborers' work; Vibrator; Hazardous waste worker (lead removal); Asbestos and mold removal worker

GROUP 1-a: Joy drill model TWM-2A; Gardner-Denver model DH143 and similar type drills; Track driller; Jack leg driller; Wagon driller; Mechanical drillers, all types regardless of type or method of power; Mechanical pipe layers, all types regardless of type or method of power; Blaster and powder; All work of loading, placing and blasting of all powder and explosives of whatever type regardless of method used for such loading and placing; High scalers (including drilling of same); Tree topper; Bit grinder

GROUP 1-b: Sewer cleaners shall receive \$4.00 per day above Group 1 wage rates. "Sewer cleaner" means any worker who handles or comes in contact with raw sewage in small diameter sewers. Those who work inside recently active, large diameter sewers, and all recently active sewer manholes shall receive \$5.00 per day above Group 1 wage rates.

GROUP 1-c: Burning and welding in connection with laborers' work; Synthetic thermoplastics and similar type welding

GROUP 1-d: Maintenance and repair track and road beds. All employees performing work covered herein shall receive \$ .25 per hour above their regular rate for all work performed on underground structures not specifically covered herein. This paragraph shall not be construed to apply to work below ground level in open cut. It shall apply to cut and cover work of subway construction after the temporary cover has been placed.

GROUP 1-e: Work on and/or in bell hole footings and shafts thereof, and work on and in deep footings. (A deep footing is a hole 15 feet or more in depth.) In the event the depth of the footing is unknown at the commencement of excavation, and the final depth exceeds 15 feet, the deep footing wage rate would apply to all employees for each and every day worked on or in the excavation of the footing from the date of inception.

GROUP 1-f: Wire winding machine in connection with guniting or shot crete

GROUP 1-g, CONTRA COSTA COUNTY: Pipelayer (including grade

checking in connection with pipelaying); Caulker; Bander; Pipewrapper; Conduit layer; Plastic pipe layer; Pressure pipe tester; No joint pipe and stripping of same, including repair of voids; Precast manhole setters, cast in place manhole form setters

GROUP 2: Asphalt shoveler; Cement dumper and handling dry cement or gypsum; Choke-setter and rigger (clearing work); Concrete bucket dumper and chute; Concrete chipping and grinding; Concrete laborer (wet or dry); Driller tender, chuck tender, nipper; Guinea chaser (stake), grout crew; High pressure nozzle, adductor; Hydraulic monitor (over 100 lbs. pressure); Loading and unloading, carrying and hauling of all rods and materials for use in reinforcing concrete construction; Pittsburgh chipper and similar type brush shredders; Sloper; Single foot, hand-held, pneumatic tamper; All pneumatic, air, gas and electric tools not listed in Groups 1 through 1-f; Jacking of pipe - under 12 inches

GROUP 3: Construction laborers, including bridge and general laborer; Dump, load spotter; Flag person; Fire watcher; Fence erector; Guardrail erector; Gardener, horticultural and landscape laborer; Jetting; Limber, brush loader and piler; Pavement marker (button setter); Maintenance, repair track and road beds; Streetcar and railroad construction track laborer; Temporary air and water lines, Victaulic or similar; Tool room attendant (jobsite only)

GROUP 4: Final clean-up work of debris, grounds and building including but not limited to: street cleaner; cleaning and washing windows; brick cleaner (jobsite only); material cleaner (jobsite only). The classification "material cleaner" is to be utilized under the following conditions:  
A: at demolition site for the salvage of the material.  
B: at the conclusion of a job where the material is to be salvaged and stocked to be reused on another job.  
C: for the cleaning of salvage material at the jobsite or temporary jobsite yard.

The material cleaner classification should not be used in the performance of "form stripping, cleaning and oiling and moving to the next point of erection".

-----  
GUNITE LABORER CLASSIFICATIONS

GROUP 1: Structural Nozzleman

GROUP 2: Nozzleman, Gunman, Potman, Groundman

GROUP 3: Reboundman

GROUP 4: Guniting laborer  
-----

WRECKING WORK LABORER CLASSIFICATIONS

GROUP 1: Skilled wrecker (removing and salvaging of sash, windows and materials)

GROUP 2: Semi-skilled wrecker (salvaging of other building materials)

-----  
LABO0067-010 07/01/2010

	Rates	Fringes
Tunnel and Shaft Laborers:		
GROUP 1.....	\$ 33.35	16.08
GROUP 2.....	\$ 33.12	16.08
GROUP 3.....	\$ 32.87	16.08
GROUP 4.....	\$ 32.42	16.08
GROUP 5.....	\$ 31.88	16.08
Shotcrete Specialist.....	\$ 33.87	16.08

TUNNEL AND SHAFT CLASSIFICATIONS

GROUP 1: Diamond driller; Groundmen; Gunite and shotcrete nozzlemen

GROUP 2: Rodmen; Shaft work & raise (below actual or excavated ground level)

GROUP 3: Bit grinder; Blaster, driller, powdermen, heading; Cherry pickermen - where car is lifted; Concrete finisher in tunnel; Concrete screedman; Grout pumpman and potman; Gunite & shotcrete gunman & potman; Headermen; High pressure nozzleman; Miner - tunnel, including top and bottom man on shaft and raise work; Nipper; Nozzleman on slick line; Sandblaster - potman, Robotic Shotcrete Placer, Segment Erector, Tunnel Muck Hauler, Steel Form raiser and setter; Timberman, retimberman (wood or steel or substitute materials therefore); Tugger (for tunnel laborer work); Cable tender; Chuck tender; Powderman - primer house

GROUP 4: Vibrator operator, pavement breaker; Bull gang - muckers, trackmen; Concrete crew - includes rodding and spreading, Dumpmen (any method)

GROUP 5: Grout crew; Reboundman; Swamper/ Brakeman

-----  
LABO0073-001 07/01/2009

	Rates	Fringes
Plasterer tender.....	\$ 28.37	14.14

-----  
LABO0139-002 07/01/2009

NAPA, SOLANO AND SONOMA COUNTIES

	Rates	Fringes
--	-------	---------

LABORER (Brick)  
 Mason Tender-Brick.....\$ 27.28 14.93

-----  
 LABO0185-002 07/01/2009

ALPINE, AMADOR, BUTTE, COLUSA, EL DORADO, GLENN, LASSEN, MODOC,  
 NEVADA, PLACER, PLUMAS, SACRAMENTO, SHASTA, SIERRA, SISKIYOU,  
 SUTTER, TEHAMA, TRINITY, YOLO AND YUBA COUNTIES

	Rates	Fringes
LABORER		
Mason Tender-Brick.....	\$ 27.03	14.93

-----  
 LABO0291-001 07/01/2009

MARIN COUNTY

	Rates	Fringes
LABORER		
Mason Tender-Brick.....	\$ 28.28	14.93

-----  
 PAIN0016-004 01/01/2011

MARIN, NAPA, SOLANO & SONOMA COUNTIES

	Rates	Fringes
Painters:.....	\$ 32.71	19.16

PREMIUMS:

EXOTIC MATERIALS - \$0.75 additional per hour.  
 SPRAY WORK: - \$0.50 additional per hour.  
 INDUSTRIAL PAINTING - \$0.25 additional per hour  
 [Work on industrial buildings used for the manufacture and  
 processing of goods for sale or service; steel construction  
 (bridges), stacks, towers, tanks, and similar structures]

HIGH WORK:

over 50 feet - \$2.00 per hour additional  
 100 to 180 feet - \$4.00 per hour additional  
 Over 180 feet - \$6.00 per hour additional

-----  
 PAIN0016-005 07/01/2010

ALPINE, BUTTE, COLUSA, EL DORADO (west of the Sierra Nevada  
 Mountains), GLENN, LASSEN (west of Hwy. 395, excluding Honey  
 Lake); MARIN, MODOC, NAPA, NEVADA (west of the Sierra Nevada  
 Mountains), PLACER (west of the Sierra Nevada Mountains),  
 PLUMAS, SACRAMENTO, SHASTA, SIERRA (west of the Sierra Nevada  
 Mountains), SISKIYOU, SOLANO, SONOMA, SUTTER, TEHAMA, TRINITY,  
 YOLO AND YUBA COUNTIES

	Rates	Fringes
DRYWALL FINISHER/TAPER.....	\$ 42.66	17.26

PAIN0016-007 01/01/2011

ALPINE, AMADOR, BUTTE, COLUSA. EL DORADO (west of the Sierra Nevada Mountains), GLENN, LASSEN (west of Highway 395, excluding Honey Lake), MODOC, NEVADA (west of the Sierra Nevada Mountains), PLACER (west of the Sierra Nevada Mountains), PLUMAS, SACRAMENTO, SHASTA, SIERRA (west of the Sierra Nevada Mountains), SISKIYOU, SUTTER, TEHAMA, TRINITY, YOLO & YUBA COUNTIES

	Rates	Fringes
Painters:.....	\$ 27.78	15.27

SPRAY/SANDBLAST: \$0.50 additional per hour.  
EXOTIC MATERIALS: \$1.00 additional per hour.  
HIGH TIME: Over 50 ft above ground or water level \$2.00 additional per hour. 100 to 180 ft above ground or water level \$4.00 additional per hour. Over 180 ft above ground or water level \$6.00 additional per hour.

-----  
PAIN0016-008 01/01/2011

MARIN, NAPA, SOLANO AND SONOMA COUNTIES

	Rates	Fringes
SOFT FLOOR LAYER.....	\$ 44.87	17.41

-----  
PAIN0169-004 01/01/2011

MARIN , NAPA & SONOMA COUNTIES; SOLANO COUNTY (west of a line defined as follows: Hwy. 80 corridor beginning at the City of Fairfield, including Travis Air Force Base and Suisun City; going north of Manakas Corner Rd., continue north on Suisun Valley Rd. to the Napa County line; Hwy. 80 corridor south on Grizzly Island Rd. to the Grizzly Island Management area)

	Rates	Fringes
GLAZIER.....	\$ 41.88	20.29

-----  
\* PAIN0567-001 01/01/2011

EL DORADO COUNTY (east of the Sierra Nevada Mountains); LASSEN COUNTY (east of Highway 395, beginning at Stacey and including Honey Lake); NEVADA COUNTY (east of the Sierra Nevada Mountains); PLACER COUNTY (east of the Sierra Nevada Mountains); AND SIERRA COUNTY (east of the Sierra Nevada Mountains)

	Rates	Fringes
Painters:		
Brush and Roller.....	\$ 23.68	9.06
Spray Painter & Paperhanger..	\$ 24.53	9.06

PREMIUMS:

El Dorado Trail Culvert Replacement  
Contract No. PW 11-30587, Project No. 99565  
Addendum No. 1

County of El Dorado, DOT  
Revised Appendix B  
Page AB-31

Special Coatings (Brush), and Sandblasting = \$0.50/hr  
 Special Coatings (Spray), and Steeplejack = \$1.00/hr  
 Special Coating Spray Steel = \$1.25/hr  
 Swing Stage = \$2.00/hr

\*A special coating is a coating that requires the mixing of 2 or more products.

-----  
 PAIN0567-007 07/01/2010

EL DORADO COUNTY (east of the Sierra Nevada Mountains); LASSEN COUNTY (east of Highway 395, beginning at Stacey and including Honey Lake); NEVADA COUNTY (east of the Sierra Nevada Mountains); PLACER COUNTY (east of the Sierra Nevada Mountains) AND SIERRA COUNTY (east of the Sierra Nevada Mountains)

	Rates	Fringes
SOFT FLOOR LAYER.....	\$ 25.93	10.41

-----  
 PAIN0567-010 07/01/2010

EL DORADO COUNTY (east of the Sierra Nevada Mountains); LASSEN COUNTY (east of Highway 395, beginning at Stacey and including Honey Lake); NEVADA COUNTY (east of the Sierra Nevada Mountains); PLACER COUNTY (east of the Sierra Nevada Mountains); AND SIERRA COUNTY (east of the Sierra Nevada Mountains)

	Rates	Fringes
Drywall		
(1) Taper.....	\$ 26.54	9.74
(2) Steeplejack - Taper, over 40 ft with open space below.....	\$ 28.04	9.79

-----  
 PAIN0767-004 01/01/2011

ALPINE, AMADOR, BUTTE, COLUSA, EL DORADO, GLENN, LASSEN, MODOC, NEVADA, PLACER, PLUMAS, SACRAMENTO, SHASTA, SIERRA, SISKIYOU, SOLANO (Remainder), SUTTER, TEHAMA, TRINITY, YOLO, YUBA

	Rates	Fringes
GLAZIER.....	\$ 32.34	18.49

PAID HOLIDAYS: New Year's Day, Martin Luther King, Jr. Day, President's Day, Memorial Day, Independence Day, Labor Day, Veteran's Day, Thanksgiving Day, and Christmas Day.

Employee required to wear a body harness shall receive \$1.50 per hour above the basic hourly rate at any elevation.

-----  
 PAIN1176-001 07/01/2009

HIGHWAY IMPROVEMENT

	Rates	Fringes
Parking Lot Striping/Highway Marking:		
GROUP 1.....	\$ 29.44	12.51
GROUP 2.....	\$ 24.23	12.51
GROUP 3.....	\$ 24.86	12.51

CLASSIFICATIONS

GROUP 1: Striper: Layout and application of painted traffic stripes and marking; hot thermo plastic; tape, traffic stripes and markings

GROUP 2: Gamecourt & Playground Installer

GROUP 3: Protective Coating, Pavement Sealing

-----  
PAIN1237-001 01/01/2011

ALPINE; COLUSA; EL DORADO (west of the Sierra Nevada Mountains); GLENN; LASSEN (west of Highway 395, beginning at Stacey and including Honey Lake); MODOC; NEVADA (west of the Sierra Nevada Mountains); PLACER (west of the Sierra Nevada Mountains); PLUMAS; SACRAMENTO; SHASTA; SIERRA (west of the Sierra Nevada Mountains); SISKIYOU; SUTTER; TEHAMA; TRINITY; YOLO AND YUBA COUNTIES

	Rates	Fringes
SOFT FLOOR LAYER.....	\$ 28.25	15.68

-----  
PLAS0300-003 07/01/2009

	Rates	Fringes
PLASTERER		
AREA 295: Alpine, Amador, Butte, Colusa, El Dorado, Glenn, Lassen, Modoc, Nevada, Placer, Plumas, Sacramento, Shasta, Sierra, Siskiyou, Solano, Sutter, Tehema, Trinity, Yolo & Yuba Counties.....	\$ 32.82	15.10
AREA 355: Marin, Napa & Sonoma Counties.....	\$ 32.82	15.30

-----  
PLAS0300-005 06/28/2010

	Rates	Fringes
CEMENT MASON/CONCRETE FINISHER....	\$ 28.65	18.56

-----  
PLUM0038-002 07/01/2010

MARIN AND SONOMA COUNTIES

	Rates	Fringes
PLUMBER (Plumber, Steamfitter, Refrigeration Fitter)		
(1) Work on wooden frame structures 5 stories or less excluding high-rise buildings and commercial work such as hospitals, prisons, hotels, schools, casinos, wastewater treatment plants, and research facilities as well as refrigeration pipefitting, service and repair work - MARKET		
RECOVERY RATE.....	\$ 46.96	34.83
(2) All other work - NEW		
CONSTRUCTION RATE.....	\$ 55.25	37.04

-----  
PLUM0038-006 07/01/2010

MARIN & SONOMA COUNTIES

	Rates	Fringes
Landscape/Irrigation Fitter (Underground/Utility Fitter).....	\$ 46.96	26.35

-----  
PLUM0228-001 01/01/2011

BUTTE, COLUSA, GLENN, LASSEN, MODOC, PLUMAS, SHASTA, SIERRA,  
SISKIYOU, SUTTER, TEHAMA, TRINITY & YUBA COUNTIES

	Rates	Fringes
PLUMBER.....	\$ 35.70	21.68

-----  
PLUM0343-001 07/01/2010

NAPA AND SOLANO COUNTIES

	Rates	Fringes
PLUMBER/PIPEFITTER		
Light Commercial.....	\$ 30.60	17.34
All Other Work.....	\$ 45.25	22.20

DEFINITION OF LIGHT COMMERCIAL:

Work shall include strip shopping centers, office buildings, schools and other commercial structures which the total plumbing bid does not exceed Two Hundred and Fifty Thousand (\$250,000) and the total heating and cooling does not exceed Two Hundred Fifty Thousand (\$250,000); or Any projects bid in phases shall not qualify unless the total project is less than Two Hundred Fifty Thousand (\$250,000) for the plumbing bid; and Two Hundred Fifty Thousand



(\$250,000) for the heating and cooling bid. Excluded are hospitals, jails, institutions and industrial projects, regardless size of the project

FOOTNOTES: While fitting galvanized material: \$.75 per hour additional. Work from trusses, temporary staging, unguarded structures 35' from the ground or water: \$.75 per hour additional. Work from swinging scaffolds, boatswains chairs or similar devices: \$.75 per hour additional.

-----  
 PLUM0350-001 01/01/2011

EL DORADO COUNTY (Lake Tahoe area only); NEVADA COUNTY (Lake Tahoe area only); AND PLACER COUNTY (Lake Tahoe area only)

	Rates	Fringes
PLUMBER/PIPEFITTER.....	\$ 34.60	10.50

-----  
 PLUM0355-001 07/01/2010

ALPINE, AMADOR, BUTTE, COLUSA, EL DORADO, GLENN, LASSEN, MODOC, NAPA, NEVADA, PLACER, PLUMAS, SACRAMENTO, SHASTA, SIERRA, SISKIYOU, SOLANO, SUTTER, TEHAMA, TRINITY, YOLO, AND YUBA COUNTIES

	Rates	Fringes
Underground Utility Worker /Landscape Fitter.....	\$ 28.10	7.20

-----  
 PLUM0442-003 01/01/2011

AMADOR (South of San Joaquin River) and ALPINE COUNTIES

	Rates	Fringes
PLUMBER.....	\$ 35.70	21.68

-----  
 PLUM0447-001 01/01/2011

AMADOR (north of San Joaquin River), EL DORADO (excluding Lake Tahoe area), NEVADA (excluding Lake Tahoe area); PLACER (excluding Lake Tahoe area), SACRAMENTO AND YOLO COUNTIES

	Rates	Fringes
PLUMBER/PIPEFITTER		
Journeyman.....	\$ 39.82	19.55
Light Commercial Work.....	\$ 29.78	9.57

-----  
 ROOF0081-006 08/01/2009

MARIN, NAPA, SOLANO AND SONOMA COUNTIES

	Rates	Fringes
Rofer.....	\$ 30.95	12.65

-----  
ROOF0081-007 08/01/2010

ALPINE, BUTTE, COLUSA, EL DORADO, GLENN, LASSEN, MODOC, NEVADA,  
PLACER, PLUMAS, SACRAMENTO, SHASTA, SIERRA, SISKIYOU, SUTTER,  
TEHAMA, TRINITY, YOLO, AND YUBA COUNTIES

	Rates	Fringes
Roofer.....	\$ 31.26	10.69

-----  
SFCA0483-003 01/01/2011

MARIN, NAPA, SOLANO AND SONOMA COUNTIES

	Rates	Fringes
SPRINKLER FITTER (Fire Sprinklers).....	\$ 49.59	23.55

-----  
SFCA0669-003 04/01/2011

ALPINE, BUTTE, COLUSA, EL DORADO, GLENN, LASSEN, MODOC, NEVADA,  
PLACER, PLUMAS, SACRAMENTO, SHASTA, SIERRA, SISKIYOU, SUTTER,  
TEHAMA, TRINITY, YOLO AND YUBA COUNTIES

	Rates	Fringes
SPRINKLER FITTER.....	\$ 32.65	17.75

-----  
SHEE0104-006 07/01/2009

MARIN, NAPA, SOLANO SONOMA & TRINITY COUNTIES

	Rates	Fringes
Sheet Metal Worker Mechanical Contracts \$200,000 or less.....	\$ 43.32	26.40
All other work.....	\$ 47.73	26.67

-----  
SHEE0104-014 07/01/2009

MARIN, NAPA, SOLANO, SONOMA AND TRINITY COUNTIES

	Rates	Fringes
SHEET METAL WORKER (Metal Decking and Siding only).....	\$ 33.43	24.31

-----  
SHEE0162-006 01/01/2011

AMADOR, COLUSA, EL DORADO, NEVADA, PLACER, SACRAMENTO, SUTTER,  
YOLO AND YUBA COUNTIES

	Rates	Fringes
SHEET METAL WORKER.....	\$ 36.02	23.36

-----  
SHEE0162-007 01/01/2011

ALPINE COUNTY

	Rates	Fringes
SHEET METAL WORKER.....	\$ 32.17	21.26

-----  
SHEE0162-008 01/01/2011

BUTTE, COLUSA, EL DORADO, GLENN, LASSEN, MODOC, NEVADA, PLACER,  
PLUMAS, SACRAMENTO, SHASTA, SIERRA, SISKIYOU, SUTTER, TEHAMA,  
YOLO AND YUBA COUNTIES

	Rates	Fringes
Sheet Metal Worker (Metal decking and siding only).....	\$ 36.02	23.36

-----  
SHEE0162-014 07/01/2009

BUTTE, GLENN, LASSEN, MODOC, PLUMAS, SHASTA, SIERRA, SISKIYOU  
AND TEHAMA COUNTIES

	Rates	Fringes
SHEET METAL WORKER Mechanical Jobs \$200,000 & under.....	\$ 27.90	20.89
Mechanical Jobs over \$200,000.....	\$ 36.31	21.61

-----  
TEAM0094-001 07/01/2009

	Rates	Fringes
Truck drivers:		
GROUP 1.....	\$ 27.13	18.99
GROUP 2.....	\$ 27.43	18.99
GROUP 3.....	\$ 27.73	18.99
GROUP 4.....	\$ 28.08	18.99
GROUP 5.....	\$ 28.43	18.99

FOOTNOTES:

Articulated dump truck; Bulk cement spreader (with or without  
auger); Dumpcrete truck; Skid truck (debris box); Dry  
pre-batch concrete mix trucks; Dumpster or similar type;  
Slurry truck: Use dump truck yardage rate.  
Heater planer; Asphalt burner; Scarifier burner; Industrial  
lift truck (mechanical tailgate); Utility and clean-up  
truck: Use appropriate rate for the power unit or the  
equipment utilized.

TRUCK DRIVER CLASSIFICATIONS

GROUP 1: Dump trucks, under 6 yds.; Single unit flat rack (2-  
axle unit); Nipper truck (when flat rack truck is used

appropriate flat rack shall apply); Concrete pump truck (when flat rack truck is used appropriate flat rack shall apply); Concrete pump machine; Fork lift and lift jitneys; Fuel and/or grease truck driver or fuel person; Snow buggy; Steam cleaning; Bus or personhaul driver; Escort or pilot car driver; Pickup truck; Teamster oiler/greaser and/or serviceperson; Hook tender (including loading and unloading); Team driver; Tool room attendant (refineries)

GROUP 2: Dump trucks, 6 yds. and under 8 yds.; Transit mixers, through 10 yds.; Water trucks, under 7,000 gals.; Jetting trucks, under 7,000 gals.; Single-unit flat rack (3-axle unit); Highbed heavy duty transport; Scissor truck; Rubber-tired muck car (not self-loaded); Rubber-tired truck jumbo; Winch truck and "A" frame drivers; Combination winch truck with hoist; Road oil truck or bootperson; Buggymobile; Ross, Hyster and similar straddle carriers; Small rubber-tired tractor

GROUP 3: Dump trucks, 8 yds. and including 24 yds.; Transit mixers, over 10 yds.; Water trucks, 7,000 gals. and over; Jetting trucks, 7,000 gals. and over; Vacuum trucks under 7500 gals. Trucks towing tilt bed or flat bed pull trailers; Lowbed heavy duty transport; Heavy duty transport tiller person; Self-propelled street sweeper with self-contained refuse bin; Boom truck - hydro-lift or Swedish type extension or retracting crane; P.B. or similar type self-loading truck; Tire repairperson; Combination bootperson and road oiler; Dry distribution truck (A bootperson when employed on such equipment, shall receive the rate specified for the classification of road oil trucks or bootperson); Ammonia nitrate distributor, driver and mixer; Snow Go and/or plow

GROUP 4: Dump trucks, over 25 yds. and under 65 yds.; Water pulls - DW 10's, 20's, 21's and other similar equipment when pulling Aqua/pak or water tank trailers; Helicopter pilots (when transporting men and materials); Lowbedk Heavy Duty Transport up to including 7 axles; DW10's, 20's, 21's and other similar Cat type, Terra Cobra, LeTourneau Pulls, Tournorocker, Euclid and similar type equipment when pulling fuel and/or grease tank trailers or other miscellaneous trailers; Vacuum Trucks 7500 gals and over and truck repairman

GROUP 5: Dump trucks, 65 yds. and over; Holland hauler; Low bed Heavy Duty Transport over 7 axles

-----  
WELDERS - Receive rate prescribed for craft performing operation to which welding is incidental.  
=====

Unlisted classifications needed for work not included within the scope of the classifications listed may be added after award only as provided in the labor standards contract clauses (29CFR 5.5 (a) (1) (ii)).

-----  
In the listing above, the "SU" designation means that rates listed under the identifier do not reflect collectively bargained wage and fringe benefit rates. Other designations indicate unions whose rates have been determined to be prevailing.  
-----

WAGE DETERMINATION APPEALS PROCESS

1.) Has there been an initial decision in the matter? This can be:

- \* an existing published wage determination
- \* a survey underlying a wage determination
- \* a Wage and Hour Division letter setting forth a position on a wage determination matter
- \* a conformance (additional classification and rate) ruling

On survey related matters, initial contact, including requests for summaries of surveys, should be with the Wage and Hour Regional Office for the area in which the survey was conducted because those Regional Offices have responsibility for the Davis-Bacon survey program. If the response from this initial contact is not satisfactory, then the process described in 2.) and 3.) should be followed.

With regard to any other matter not yet ripe for the formal process described here, initial contact should be with the Branch of Construction Wage Determinations. Write to:

Branch of Construction Wage Determinations  
Wage and Hour Division  
U.S. Department of Labor  
200 Constitution Avenue, N.W.  
Washington, DC 20210

2.) If the answer to the question in 1.) is yes, then an interested party (those affected by the action) can request review and reconsideration from the Wage and Hour Administrator (See 29 CFR Part 1.8 and 29 CFR Part 7). Write to:

Wage and Hour Administrator  
U.S. Department of Labor  
200 Constitution Avenue, N.W.  
Washington, DC 20210

The request should be accompanied by a full statement of the interested party's position and by any information (wage payment data, project description, area practice material, etc.) that the requestor considers relevant to the issue.

3.) If the decision of the Administrator is not favorable, an interested party may appeal directly to the Administrative Review Board (formerly the Wage Appeals Board). Write to:

Administrative Review Board  
U.S. Department of Labor  
200 Constitution Avenue, N.W.  
Washington, DC 20210

4.) All decisions by the Administrative Review Board are final.

=====

END OF GENERAL DECISION

**EXHIBIT A**

**CONTRACTOR'S BID AND BID PRICE SCHEDULE  
 CONTRACT NO. PW 11-30587, Project No. 99565  
 EL DORADO TRAIL CULVERT REPLACEMENT**

Item No.	Item Code	Item Description	Unit of Measure	Estimated Quantity	Unit Price (In Figures)	Item Total (In Figures)
1	012973	Temporary Chain Link Gate (6' high)	LF	48		
2	071321	Temporary Fence (Type CL-6)	LF	80		
3	071325	Temporary Fence (Type ESA)	LF	400		
4	074017	Water Pollution Control	LS	1		
5	074020	Dust Control	LS	1		
6	120090	Construction Area Signs	LS	1		
7	A	Demolition of Existing Facilities	LS	1		
8	160101	Clearing & Grubbing	LS	1		
9	190185	Shoulder Backing	TON	136		
10	B	Trench and Excavation Safety	LS	1		
11	23001	Erosion Control	LS	1		
12	204022	Tree Replacement	LS	1		
13	390132	HMA (Type A) (overlay)	TON	229		
14	C	Trail Reconstruction	LS	1		
15	(F) 510053	Structural Concrete (headwalls)	CY	8		
16	(F) 520101	Bar Reinforcing Steel (headwall)	LB	380		
17	665052	54" Corrugated Steel Pipe (0.138" thick, aluminum-coated)	LF	158		
18	721009	Rock Slope Protection (Backing No.1 method B)	CY	6		
19	729010	Rock Slope Protection Fabric	SY	9		
20	731504	Minor Concrete (Channel)	CY	1		
21	800051	Fence Type WM, Metal Post	LF	200		
22	840582A	Paint Traffic Stripe (4" yellow)	LF	3150		
23	099999	Mobilization	LS	1		
<b>Total Bid</b>						<b>\$</b>

(F) Denotes Final Pay Item  
 (LS) Denotes Lump Sum

**PROPOSAL PAY ITEMS AND BID PRICE SCHEDULE  
CONTRACT NO. PW 11- 30587 PROJECT NO. 99565**

**EL DORADO TRAIL CULVERT REPLACEMENT**

Item No.	Item Code	Item Description	Unit of Measure	Estimated Quantity	Unit Price (In Figures)	Item Total (In Figures)
1	012973	Temporary Chain Link Gate (6' high)	LF	48		
2	071321	Temporary Fence (Type CL-6)	LF	80		
3	071325	Temporary Fence (Type ESA)	LF	400		
4	074017	Water Pollution Control	LS	1		
5	074020	Dust Control	LS	1		
6	120090	Construction Area Signs	LS	1		
7	A	Demolition of Existing Facilities	LS	1		
8	160101	Clearing & Grubbing	LS	1		
9	190185	Shoulder Backing	TON	136		
10	B	Trench and Excavation Safety	LS	1		
11	23001	Erosion Control	LS	1		
12	204022	Tree Replacement	LS	1		
13	390132	HMA (Type A) (overlay)	TON	229		
14	C	Trail Reconstruction	LS	1		
15	(F) 510053	Structural Concrete (headwalls)	CY	8		
16	(F) 520101	Bar Reinforcing Steel (headwall)	LB	380		
17	665052	54" Corrugated Steel Pipe (0.138" thick, aluminum-coated)	LF	158		
18	721009	Rock Slope Protection (Backing No.1 method B)	CY	6		
19	729010	Rock Slope Protection Fabric	SY	9		
20	731504	Minor Concrete (Channel)	CY	1		
21	800051	Fence Type WM, Metal Post	LF	200		
22	840582A	Paint Traffic Stripe (4" yellow)	LF	3150		
23	099999	Mobilization	LS	1		
<b>Total Bid</b>						<b>\$</b>

(F) Denotes Final Pay Item  
(LS) Denotes Lump Sum

(NOTICE: Bidder's failure to execute the questionnaires and statements contained in this Proposal as required by applicable laws and regulations, or the determinations by El Dorado County based upon those questionnaires and statements, may prohibit award of the subject Contract to the Bidder.)