

**RESOLUTION NO.**  
**OF THE BOARD OF SUPERVISORS OF THE COUNTY OF EL DORADO**

Abandonment of Easements No. 15-004  
Assessor's Parcel Number: 120-650-27  
Eric Schnetz

**WHEREAS**, the El Dorado County Board of Supervisors exercises the authority established by Section 8333 of the Streets and Highways Code, which authorizes the Board of Supervisors to summarily vacate public service easements by Resolution adopted in accordance with Section 8335 of the Streets and Highways code; and

**WHEREAS**, on September 12, 2002, Ridgeview West, L.L.C., a California Limited Liability Company, irrevocably offered for dedication drainage, slope and public utility easements on Lot 27 as shown on the final map of, "RIDGWAY WEST UNIT NO. 2", recorded in Book J of Subdivisions at Page 6 , in the County of El Dorado, Recorder's Office; and

**WHEREAS**, on June 10, 2003 the County of El Dorado, Board of Supervisors, accepted said offer for the slope and public utility easements and rejected said offer for the drainage easements; and

**WHEREAS**, the County of El Dorado has received an application from Eric Schnetz, the legal owner of Lot 27 in the "RIDGWAY WEST UNIT NO. 2", Subdivision, requesting that the County of El Dorado vacate the subject easements, of said property, identified as Assessor's Parcel Number 120-650-27; and

**WHEREAS**, AT&T, Comcast, El Dorado Irrigation District and Pacific Gas & Electric have not used said easements for the purpose for which they were dedicated and find no present or future need exists for those portions of the easements and do not object to their vacation, and to that end, have all issued letters to this effect; and

**WHEREAS**, El Dorado County Transportation Division has not used said easements for the purpose for which they were dedicated and find no present or future need exists for those portions of the easements and do not object to their vacation, and to that end, has provided written approval to the County Surveyor's Office; and

**WHEREAS**, the County Surveyor’s Office has determined that the easements herein described in Exhibit A and depicted on Exhibit B and made a part hereof have not been used for the purpose for which they were dedicated preceding the proposed vacation, and have no objection; and

**WHEREAS**, all other existing easements shall remain.

**NOW, THEREFORE, BE IT RESOLVED**, that from and after the date this Resolution is recorded, said offer for the portion of the drainage and public utility easements, described in Exhibit A and depicted on Exhibit B, is terminated and abandoned and no longer constitutes an offers for easement. In addition, a Certificate of Correction, Modification or Amendment is hereby authorized to be signed and recorded.

**PASSED AND ADOPTED** by the Board of Supervisors of the County of El Dorado at a regular meeting of said Board, held the \_\_\_\_\_ day of \_\_\_\_\_, 20\_\_\_\_, by the following vote of said Board:

Ayes:

Noes:

Absent:

Attest:

James S. Mitrison

Clerk of the Board of Supervisors

By: \_\_\_\_\_  
Deputy Clerk    Chair, Board of Supervisors

**EXHIBIT "A"**  
**LEGAL DESCRIPTION OF PORTIONS OF**  
**PUBLIC UTILITY, SLOPE AND DRAINAGE EASEMENTS**  
**TO BE ABANDONED ON LOT 27, J - SUBDIVISIONS - 6**

Those certain front, side and/or rear Public Utility, Slope and Drainage Easements being a portion of Lot 27 as laid out and shown on that certain Subdivision Map entitled, "Ridgeview West, Unit No. 2" filed in Book "J" of Subdivision Maps, at Page 6 of the El Dorado County Records; lying in Section 34, Township 10 North, Range 8 East, Mount Diablo Meridian, County of El Dorado, State of California, and being more particularly described as follows:

The westerly 50.00 feet of northeasterly 5.00 feet, as measured at right angles in a southwesterly direction from the northeastern most (side/rear) boundary line of said Lot 27, less the westerly 10.00 feet as measured at right angles in an easterly direction from the eastern Right of Way line of Tiburon Way as laid out and shown on said subdivision map; and, the southeasterly 50.00 feet of northeasterly 5.00 feet, as measured at right angles in a southwesterly direction from the northeastern most (side/rear) boundary line of said Lot 27, less the southeasterly 10.00 feet as measured at right angles in a northwesterly direction from the northwestern Right of Way line of Via Fiori as laid out and shown on said subdivision map.

Together with the easterly 10.00 feet of the westerly 20.00 feet of said Lot 27, as measured at right angles in a easterly direction from the eastern Right of Way line of Tiburon Way as laid out and shown on said subdivision map; and, the northerly 10.00 feet of the southerly 20.00 feet of said Lot 27, as measured at right angles in a northerly direction from the northern Right of Way line of Vista Le Fonti as laid out and shown on said subdivision map; and, the northwesterly 10.00 feet of the southeasterly 20.00 feet of said Lot 27, as measured at right angles in a northwesterly direction from the northwestern Right of Way line of Via Fiori as laid out and shown on said subdivision map.

All said portions of said front, side and rear easements described above, to be abandoned, are as laid out and shown on said above mentioned Subdivision Map filed in Book "J" of Subdivisions, at Page 6 of the El Dorado County Records.

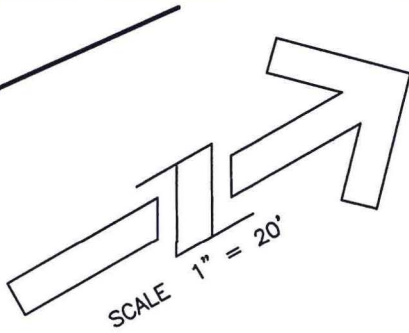


ALAN R. DIVERS, L-6013

5/12/2015



S.E. = SLOPE EASEMENT  
 P.E. = POSTAL EASEMENT  
 PUE = PUBLIC UTILITY EASEMENT  
 D.E. = DRAINAGE EASEMENT



SCALE 1" = 20'

**TIBURON WAY**  
 S05°45'45"W

NON-VEHICULAR ACCESS  
 98.96'

20' S.E., PUE,  
 AND D.E.

10' PUE TO  
 REMAIN

10' PORTION OF  
 PUE TO BE  
 ABANDONED

5' PUE

N63°37'49"W

S40°09'49"E  
 28.74'  
 R=20.00'

5' P.E.  
 TO REMAIN

**VISTA LE FONTI**

20' S.E., PUE,  
 AND D.E.

5' PUE TO BE  
 ABANDONED

**SCHNETZ  
 LOT 27  
 RIDGEVIEW WEST UNIT NO. 2  
 J-SUB-6**

10' PUE TO  
 REMAIN

10' PORTION OF  
 PUE TO BE  
 ABANDONED

5' PUE

163.06'

N75°30'48"W  
 76.21'  
 R=175.00'

20' S.E., PUE,  
 AND D.E.

N75°02'47"E  
 27.79'  
 R=20.00'

N31°01'46"E 72.88'

**VIA FIORI**



THIS MAP WAS PREPARED  
 UNDER MY DIRECTION

*Alan R. Divers*

5/12/2015

ALAN R. DIVERS, L-6013

DATE: 1-22-2015  
 SCALE: 1"=20'  
 JOB NUMBER: ?  
 DWG NAME: AOE



**Alan R. Divers**  
 Professional Land Surveyor  
 3430 ROBIN LN. #2 CAMERON PARK  
 CA. 95682 - (530) 642-1755

**EXHIBIT B  
 EASEMENT  
 ABANDONMENT**  
 15-0633 A 4 of 4