

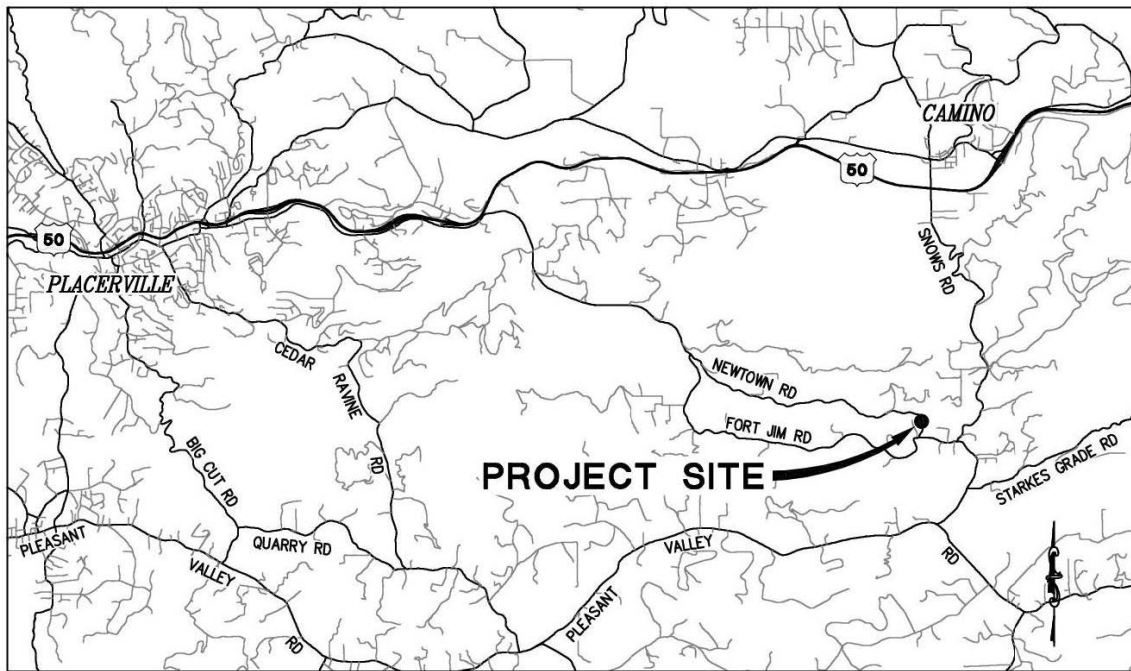
**COUNTY OF EL DORADO, CALIFORNIA
COMMUNITY DEVELOPMENT SERVICES
DEPARTMENT OF TRANSPORTATION**

CONTRACT DOCUMENTS

INCLUDING
NOTICE TO BIDDERS, SPECIAL PROVISIONS,
PROPOSAL, AND AGREEMENT
FOR

AIRPORT ROAD STORM DAMAGE REPAIR PROJECT

PW No. 18-31120, CIP No. 78717, Contract No. 2811
FHWA No. ER 32LO (091)



FOR USE WITH
STATE OF CALIFORNIA, DEPARTMENT OF TRANSPORTATION,
2015 STANDARD SPECIFICATIONS AND STANDARD PLANS

BID OPENING DATE: September 20, 2018

THIS PAGE INTENTIONALLY LEFT BLANK.

**COUNTY OF EL DORADO, CALIFORNIA
COMMUNITY DEVELOPMENT SERVICES
DEPARTMENT OF TRANSPORTATION**

CONTRACT DOCUMENTS

INCLUDING
NOTICE TO BIDDERS, SPECIAL PROVISIONS,
PROPOSAL, AND CONTRACT
FOR

AIRPORT ROAD STORM DAMAGE REPAIR PROJECT

August 28, 2018

**PW No. 18-31120, CIP No. 78717, Contract No. 2811
FHWA No. ER 32LO (091)**

The various portions of the Contract Documents have been prepared under the direction of the following licensed Civil Engineer, in accordance with California Business and Professions Code § 6735.

Engineer's Name, RCE No. C74978
Date _____



THIS PAGE INTENTIONALLY LEFT BLANK.

County of El Dorado, State of California

Community Development Services

Department of Transportation

AIRPORT ROAD STORM DAMAGE REPAIR PROJECT

PW No. 18-31120, CIP No. 78717

Table of Contents

NOTICE TO BIDDERS	N-1
ORGANIZATION.....	1
STANDARD PLANS LIST	1
DIVISION I GENERAL PROVISIONS	1
2 BIDDING	3
3 CONTRACT AWARD AND EXECUTION.....	11
4 SCOPE OF WORK	13
5 CONTROL OF WORK	13
6 CONTROL OF MATERIALS.....	18
7 LEGAL RELATIONS AND RESPONSIBILITY TO THE PUBLIC	19
8 PROSECUTION AND PROGRESS	28
9 PAYMENT.....	30
DIVISION II GENERAL CONSTRUCTION.....	33
10 GENERAL	33
12 TEMPORARY TRAFFIC CONTROL	34
13 WATER POLLUTION CONTROL.....	38
14 ENVIRONMENTAL STEWARDSHIP	41
DIVISION III EARTHWORK AND LANDSCAPE	45
17 GENERAL	45

19 EARTHWORK.....	47
21 EROSION CONTROL.....	51
DIVISION IV SUBBASES AND BASES.....	52
26 AGGREGATE BASES.....	52
DIVISION V SURFACINGS AND PAVEMENTS.....	52
39 ASPHALT CONCRETE.....	52
DIVISION VII DRAINAGE FACILITIES.....	79
64 PLASTIC PIPE.....	79
68 SUBSURFACE DRAINS.....	80
DIVISION VIII MISCELLANEOUS CONSTRUCTION.....	80
72 SLOPE PROTECTION.....	80
DIVISION XI MATERIALS.....	81
96 GEOSYNTHETICS.....	81
APPENDIX A – REVISED STANDARD SPECIFICATIONS.....	AA-1
APPENDIX B – FEDERAL WAGE RATES.....	AB-1
APPENDIX C – CITY OF PLACERVILLE ENCROACHMENT PERMIT.....	AC-1
AGREEMENT (DRAFT)	C-1
Article 1. THE WORK.....	C-1
Article 2. CONTRACT DOCUMENTS.....	C-1
Article 3. COVENANTS AND CONTRACT PRICE.....	C-2
Article 4. COMMENCEMENT AND COMPLETION.....	C-2
Article 5. INDEMNITY.....	C-2
Article 6. VENUE.....	C-3
Article 7. NOTIFICATION OF SURETY COMPANY.....	C-3
Article 8. ASSIGNMENT OF ANTITRUST ACTIONS.....	C-3
Article 9. TERMINATION BY COUNTY FOR CONVENIENCE.....	C-4

Article 10. TERMINATION BY COUNTY FOR CAUSE	C-4
Article 11. SUCCESSORS AND ASSIGNS	C-5
Article 12. REPORTING ACCIDENTS.....	C-5
Article 13. EMISSIONS REDUCTION	C-5
Article 14. WORKERS' COMPENSATION CERTIFICATION	C-5
Article 15. WARRANTY	C-6
Article 16. RETAINAGE	C-6
Article 17. DISADVANTAGED BUSINESS ENTERPRISE (DBE) PROGRAM	C-6
Article 18. PREVAILING WAGE RATES	C-7
Article 19. NONDISCRIMINATION	C-8
Article 20. CONTRACTOR ASSURANCES.....	C-8
Article 21. BUSINESS LICENSE	C-10
Article 22. TAXES	C-10
Article 23. CONTRACT ADMINISTRATOR.....	C-10
Article 24. AUTHORIZED SIGNATURES	C-10
Article 25. PARTIAL INVALIDITY	C-10
Article 26. NO THIRD PARTY BENEFICIARIES	C-10
Article 27. COUNTERPARTS	C-10
Article 28. ENTIRE AGREEMENT	C-10
EXHIBIT A - CONTRACTOR'S BID AND BID PRICE SCHEDULE	C-12
EXHIBIT B - FAIR EMPLOYMENT PRACTICES ADDENDUM	C-15
EXHIBIT C - NON-DISCRIMINATION ASSURANCES	C-16
EXHIBIT D - FHWA FORM 1273	C-23
PAYMENT BOND	NO PAGE NUMBER
PERFORMANCE BOND.....	NO PAGE NUMBER

PROPOSAL	P-1
PROPOSAL PAY ITEMS AND BID PRICE SCHEDULE	P-3
SUBCONTRACTOR LIST	P-6
EQUAL EMPLOYMENT OPPORTUNITY CERTIFICATION.....	P-7
PUBLIC CONTRACT CODE SECTION 10285.1 STATEMENT	P-8
PUBLIC CONTRACT CODE SECTION 10162 QUESTIONNAIRE	P-9
PUBLIC CONTRACT CODE SECTION 10232 STATEMENT	P-9
NONCOLLUSION AFFIDAVIT.....	P-10
IRAN CONTRACTING OUT CERTIFICATE.....	P-11
DEBARMENT, SUSPENSION, INELIGIBILITY, AND VOLUNTARY EXCLUSION CERTIFICATION	P-12
NON-LOBBYING CERTIFICATION.....	P-13
OPT OUT OF PAYMENT ADJUSTIONS FOR PRICE INDEX FLUCTUATIONS	P-16
SIGNATURE PAGE	P-17
EXHIBIT 15-G CONSTRUCTION CONTRACT DBE COMMITMENT	P-18
EXHIBIT 15-H DBE INFORMATION – GOOD FAITH EFFORTS	P-20
BIDDER'S BOND	NO PAGE NUMBER

THIS PAGE INTENTIONALLY LEFT BLANK.

Airport Road Storm Damage Repair Project
Contract No. PW 18-31120, CIP No 78717

NOTICE TO BIDDERS

THIS PAGE INTENTIONALLY LEFT BLANK.

**COUNTY OF EL DORADO, CALIFORNIA
COMMUNITY DEVELOPMENT SERVICES
DEPARTMENT OF TRANSPORTATION**

NOTICE TO BIDDERS

NOTICE IS HEREBY GIVEN by the County of El Dorado, State of California, that sealed bids for Work in accordance with the Project Plans (Plans) and Contract Documents designated:

**AIRPORT ROAD STORM DAMAGE REPAIR PROJECT
PW NO. 18-31120, CIP NO. 787017,
FHWA No. ER 32LO (091)**

Will be received by the Community Development services, Department of transportation, at the front counter of 2850 Fairlane Court, Building C, Placerville, California, until **Thursday, September 20, 2018 at 2:00 PM**, at which time bids will be publicly opened and read by the County of El Dorado Community Development services, Department of transportation.

No Bid may be withdrawn after the time established for receiving bids or before the award and execution of the Contract, unless the award is delayed for a period exceeding sixty (60) calendar days. Bids must be executed in accordance with the instructions given and forms provided in the Contract Documents furnished by the County of El Dorado Community Development services, Department of transportation through Quest Construction Data Network (Quest). **The Proposal including the Bidder's Security shall be submitted in a sealed envelope clearly marked:**

**"PROPOSAL FOR AIRPORT ROAD STORM DAMAGE REPAIR PROJECT"
PW NO. 18-31120, CIP NO. 78717,
FHWA No. ER 32LO (091)
TO BE OPENED AT 2:00 P.M. ON September 20, 2018**

LOCATION/DESCRIPTION OF THE WORK: The Project is located along Airport Road, in Placerville in the County of El Dorado and about 1.5 miles southwest of Broadway. The Work to be done is shown on the Plans, and generally consists of, but is not limited to:

- A. The Work to be performed includes tree removal, slide debris removal including fallen trees, clearing and grubbing, culvert excavation, removal of an existing 18" corrugated metal pipe under Airport Road, installation of a new 18" reinforced concrete pipe, installation of underdrain system and permeable material, structure backfill, installation of rock slope protection, roadway excavation, installation of drainage inlet, installation of rolled erosion control product, placement of a new structural section, asphalt dike, asphalt paving for roadway and gutter, and striping work. The roadway will be closed for the duration of this Project with a detour in place. Other items or details not mentioned above, that are required by the Contract Plans, Standard Plans, Standard Specifications, or these Special Provisions must be performed, constructed or installed.
- B. Bids are required for the entire Work described herein.
- C. The Contract time is TWENTY (20) WORKING DAYS.
- D. For bonding purposes the anticipated Project cost is less than \$325,000.
- E. A pre-bid meeting is scheduled for this Project on **September 13, 2018 at 2:00 p.m.** at the County of El Dorado Community Development services, Department of transportation, 2441 Headington Road, Placerville. The meeting will be held in the downstairs conference room. Attendance at the pre-bid meeting is not mandatory.

F. This Project is being formally bid in accordance with Public Contract Code 22032 and County of El Dorado Ordinance Code section 3.14.040.

OBTAINING OR VIEWING CONTRACT DOCUMENTS: The Contract Documents, including the Project Plans, may be viewed and/or downloaded from the Quest website at <http://www.questcdn.com>. Interested parties may also access the Quest website by clicking on the link next to the Project Name or entering the Quest Project # on the Community Development services, Department of transportation's website at <http://www.edcgov.us/Government//DOT/Pages/BidsHome.aspx>.

Interested parties may view the Contract Documents, including the Project Plans, on the Quest website at no charge. The digital Contract Documents, including the Project Plans, may be downloaded for \$10.00 by inputting the Quest Project #5319893 on the websites' Project Search page. Please contact QuestCDN.com at (952) 233-1632 or info@questcdn.com for assistance in free membership, registration, downloading, and working with this digital project information.

To be included on the planholders list, receive notification of addenda, and to be eligible to bid interested parties must download the Contract Documents, including the Project Plans, from Quest. Those downloading the Contract Documents, including the Project Plans, assume responsibility and risk for completeness of the downloaded Contract Documents.

The Contract Documents, including the Project Plans, may be examined in person at the Community Development services Department of transportation office at 2850 Fairlane Court, Placerville CA. However, the Community Development services Department of transportation will no longer sell paper copies of the Contract Documents.

The following Supplemental Project Information/Information Handout will be provided in pdf format as part of the Contract Documents on Quest's website to all planholders who acquire the Contract Documents digitally through Quest:

- Revised Standard Plans
- "Geotechnical Engineering Study for Storm Damage Erosion Repair at Airport Road", By Wreco Consultants, dated November 16, 2017.

CONTRACTORS LICENSE CLASSIFICATION: Bidders must be properly licensed to perform the Work pursuant to the Contractors' State License Law (Business and Professions Code Section 7000 et seq.) and must possess a **CLASS A** license or equivalent combination of Classes required by the categories and type of Work included in the Contract Documents and Plans at the time the Contract is awarded, and must maintain a valid license through completion and acceptance of the Work, including the guarantee and acceptance period. Failure of the successful Bidder to obtain proper adequate licensing will constitute a failure to execute the Contract and will result in the forfeiture of the Bidder's security.

BUSINESS LICENSE: The County Business License Ordinance provides that it is unlawful for any person to furnish supplies or services, or transact any kind of business in the unincorporated territory of the County of El Dorado without possessing a County business license unless exempt under County Ordinance Code Section 5.08.070. The Bidder to whom an award is made must comply with all of the requirements of the County Business License Ordinance, where applicable, prior to beginning Work under this Contract and at all times during the term of this Contract.

CONTRACTOR REGISTRATION: No contractor or subcontractor may bid on any public works project, be listed in a bid proposal for any public works project, or engage in the performance of any contract for public work unless registered with the Department of Industrial Relations pursuant to Labor Code sections 1725.5 and 1771.1.

An inadvertent error in listing a subcontractor who is not registered pursuant to Section 1725.5 in a bid proposal shall not be grounds for filing a bid protest or grounds for considering the bid nonresponsive if the requirements of Labor Code section 1771.1 are met.

Airport Road Storm Damage Repair Project
PW No. 18-31120, CIP No 78717
August 28, 2018

County of El Dorado
Notice to Bidders
N-2

SUBCONTRACTOR LIST: Each Proposal must have listed therein the name, contractor's license number, DIR number, and address of each subcontractor to whom the bidder proposes to subcontract portions of the Work in an amount in excess of 0.5% of the total bid or \$10,000, whichever is greater, in accordance with the Subletting and Subcontracting Fair Practices Act, commencing with Section 4100 of the Public Contract Code. The Bidder must also describe in the Subcontractor List the Work to be performed by each subcontractor listed. The Work to be performed by the subcontractor must be shown by listing the bid item number, bid item description, and portion of the Work to be performed by the subcontractor in the form of a percentage (not to exceed 100%) calculated by dividing the Work to be performed by the subcontractor by the respective bid item amount(s) (not by the total bid price).

The percentage of each bid item subcontracted may be submitted with the Bidder's bid or sent via email or fax to Brian Franklin, County of El Dorado Community Development services, Department of transportation, email- Brian.Franklin@edcgov.us, Fax-(530) 626-0387 within 24 hours of the bid opening. The email or fax must contain the name of each subcontractor submitted with the Bidder's bid along with the bid item number, the bid item description, and the percentage of each bid item subcontracted, as described above. At the time the Contract is awarded, all listed subcontractors must be properly licensed to perform their designated portion of the Work. The bidder's attention is directed to other provisions of the Act related to the imposition of penalties for failure to observe its provisions by using unauthorized subcontractors or by making unauthorized substitutions.

An inadvertent error in listing the California Contractor license number on the Subcontractor List will not be grounds for filing a bid protest or grounds for considering the bid non-responsive if the Bidder submits the corrected contractor's license number to Brian Franklin via fax or email as noted above within 24 hours after the bid opening, provided the corrected contractor's license number corresponds to the submitted name and location for that subcontractor.

BUY AMERICA: This Project is subject to the "Buy America" provisions of the Surface Transportation Assistance Act of 1982, as amended by the Intermodal Surface Transportation Efficiency Act of 1991, and the Moving Ahead for Progress in the 21st Century Act (MAP-21).

DISADVANTAGED BUSINESS ENTERPRISE (DBE) PARTICIPATION for Federal-aid projects, DBE requirements of Title 49 Part 26 of the Code of Federal Regulations (49CFR26) apply. Bidders are advised that, as required by Federal law, the County of El Dorado has implemented Disadvantaged Business Enterprise requirements for Disadvantaged Business Enterprises (DBE). Comply with Section 2-1.12 and Section 5-1.13.

Bidder will take all necessary affirmative steps to assure that minority firms, women's business enterprises and labor surplus area firms are used when possible.

The Disadvantaged Business Enterprise (DBE) Contract goal is **12.00%**.

The UDBE Good Faith Effort Submittal Information Handout and the County of El Dorado DBE Training Presentation is available at <http://www.edcgov.us/Government/DOT/Pages/DBE.aspx>. The problems and solutions listed in the Handout apply to DBE Good Faith Efforts Submittals.

NONDISCRIMINATION: Comply with Chapter 5 of Division 4 of Title 2, California Code of Regulations and the following.

**NOTICE OF REQUIREMENT FOR NONDISCRIMINATION PROGRAM
(GOVERNMENT CODE SECTION 12990)**

Comply with Section 7-1.021(2), "Nondiscrimination," of the Standard Specifications, which is applicable to all nonexempt State contracts and subcontracts, and to the "Standard California Nondiscrimination Construction Contract Specifications" set forth therein. The specifications are applicable to all nonexempt State construction contracts and subcontracts of \$5,000 or more.

Comply with the additional nondiscrimination and fair employment practices provisions in the *Draft Agreement*

Airport Road Storm Damage Repair Project
PW No. 18-31120, CIP No 78717
August 28, 2018

County of El Dorado
Notice to Bidders
N-3

contained in these Contract Documents that will apply to this Federal-aid Contract.

The Community Development Services Department of Transportation hereby notifies all Bidders that it will affirmatively ensure that in any contract entered into pursuant to this advertisement, minority business enterprises will be afforded full opportunity to submit bids in response to this invitation and will not be discriminated against on the grounds of race, color, sex, national origin, religion, age, or disability in consideration for the award.

PREVAILING WAGE REQUIREMENTS: In accordance with the provisions of California Labor Code Sections 1770 et seq., including but not limited to Sections 1773, 1773.1, 1773.2, 1773.6, and 1773.7, the general prevailing rate of wages in the county in which the Work is to be done has been determined by the Director of the California Department of Industrial Relations. Interested parties can obtain the current wage information by submitting their requests to the Department of Industrial Relations, Division of Labor Statistics and Research, PO Box 420603, San Francisco CA 94142-0603, Telephone (415) 703-4708 or by referring to the website at <http://www.dir.ca.gov/OPRL/PWD>. The rates at the time of the bid advertisement date of a project will remain in effect for the life of the project in accordance with the California Code of Regulations, as modified and effective January 27, 1997.

Copies of the general prevailing rate of wages in the county in which the Work is to be done are also on file at the Community Development Services Department of Transportation's principal office, and are available upon request, and in case of projects involving Federal funds, Federal wage requirements as predetermined by the United States Secretary of Labor have been included in the Contract Documents. Addenda to modify the Federal minimum wage rates, if necessary, will be issued as described in the Project Administration section of this Notice to Bidders.

In accordance with the provisions of Labor Code 1810, eight (8) hours of labor constitutes a legal day's work upon all work done hereunder, and Contractor and any subcontractor employed under this Contract must conform to and be bound by the provisions of Labor Code Sections 1810 through 1815.

This Project is subject to the requirements of Title 8, Chapter 8, Subchapter 4.5 of the California Code of Regulations including the obligation to furnish certified payroll records directly to the Compliance Monitoring Unit under the Labor Commissioner within the Department of Industrial Relations Division of Labor Standards Enforcement in accordance with Section 16461.

In the case of Federally funded projects, where Federal and state prevailing wage requirements apply, compliance with both is required. This Project is funded in whole or part by Federal funds. Comply with Exhibit D of the Draft Agreement and the Copeland Act (18 U.S.C. 874 and 29 CFR Part 3), the Davis-Bacon Act (40 U.S.C. 276a to 276a-7 and 29 CFR Part 5), and the Contract Work Hours and Safety Standards Act (40 U.S.C. 327-330 and 29 CFR Part 5).

If there is a difference between the minimum wage rates predetermined by the Secretary of Labor and the general prevailing wage rates determined by the Director of the California Department of Industrial Relations for similar classifications of labor, Contractor and subcontractors must pay not less than the higher wage rate. The Community Development Services Department of Transportation will not accept lower State wage rates not specifically included in the Federal minimum wage determinations. This includes "helper" (or other classifications based on hours of experience) or any other classification not appearing in the Federal wage determinations. Where Federal wage determinations do not contain the State wage rate determination otherwise available for use by Contractor and subcontractors, Contractor and subcontractors must pay not less than the Federal minimum wage rate which most closely approximates the duties of the employees in question.

TRAINING: For the Federal training program, the number of trainees or apprentices is 0.

BID SECURITY: A bid security must be provided with each bid. Bid security must be in an amount of not less than ten percent (10%) of the total amount of the Bid for bid and must be cash, a certified check or cashier's check drawn to the order of the County of El Dorado or a Bidder's Bond executed by a surety satisfactory to the County of El Dorado **on the form provided in the Proposal section of these Contract Documents.**

BID PROTEST PROCEDURE: The protest procedure is intended to handle and resolve disputes related to the bid award for this Project pursuant to 2 Code of Federal Regulations Part 200.318(k) and County of El Dorado policies and procedures. A protestor must exhaust all administrative remedies with the County of El Dorado before pursuing a protest with a Federal Agency. Reviews of protests by the Federal agency will be limited to:

1. Violations of Federal law or regulations and the standards of 2 Code of Federal Regulations Part 200.318(k). Violations of State of California or local law will be under the jurisdiction of the State of California or the County of El Dorado; and
2. Violation of the County of El Dorado's protest procedures for failure to review a complaint or protest. Protests received by the Federal agency other than those specified above will be referred to the County of El Dorado.

The protest procedure is an extension of the formal bid process and allows those who wish to protest the recommendation of an award after bid the opportunity to be heard.

Policy: Upon completion of the bid evaluation, the Community Development services, Department of transportation will notify all bidders of the recommendation of award, the basis therefore, and the date and time on which the recommendation for award will be considered and acted upon by the Board of Supervisors. All bidders may attend the Board of Supervisors meeting at the time the agenda item is considered, address the Board of Supervisors, and be heard.

Procedure: If a bidder wishes to protest the award, this is the procedure:

1. The Community Development Services Department of Transportation will review the bids received in a timely fashion under the terms and conditions of the Notice to Bidders, and notify the bidders in writing, at the fax number designated in the Proposal, of its recommendation including for award or rejection of bids ("All Bidders Letter").
2. Within two (2) business days from the date of the "All Bidders Letter," the Bidder protesting the recommendation for award must submit a letter of protest to and must be received by the County of El Dorado, Community Development Services Department of Transportation, Attention Brian Franklin, 2850 Fairlane Court, Placerville, CA 95667, and state in detail the basis and reasons for the protest. The Bidder must provide facts to support the protest, including any evidence it wishes to be considered, together with the law, rule, regulation, or criteria on which the protest is based.
3. If Community Development Services Department of Transportation finds the protest to be valid, it may modify its award recommendations and notify all bidders of that decision. If the Community Development Services Department of Transportation does not agree with the protest, or otherwise fails to resolve the protest, the Community Development Services Department of Transportation will notify the bid protestor and all interested parties of its decision and the date and time that the recommendation for award will be agendized for the Board of Supervisors' consideration and action. The Community Development Services Department of Department of transportation will also include in its report to the Board of Supervisors the details of the bid protest.
4. The Bidder may attend the Board of Supervisors meeting at which the recommendation and bid protest will be considered. The Board of Supervisors will take comment from the Bidder, staff, and members of the public who wish to speak on the item. In the event that the Bidder is not in attendance at that time, the bid protest may be dismissed by the Board of Supervisors without further consideration of the merits; and

The decision of the Board of Supervisors on the bid protest will be final.

AWARD OF CONTRACT: Bids will be considered for award by the Board of Supervisors. The County of El Dorado reserves the right after opening bids to reject any or all bids, to waive any irregularity in a bid, or to make award to the lowest responsive, responsible Bidder and reject all other bids, as it may best serve the interests of the County.

As a condition of award, the successful Bidder will be required to submit bonds and evidence of insurance prior to execution of the Agreement by the County. Failure to meet this requirement constitutes abandonment of the Bid by the Bidder and forfeiture of the Bidder's security. Award will then be made to the next lowest, responsive, responsible Bidder.

RETAINAGE FROM PAYMENTS: The Contractor may elect to receive one hundred percent (100%) of payments due under the Contract from time to time, without retention of any portion of the payment by the County, by depositing securities of equivalent value with the County in accordance with the provisions of Section 22300 of the Public Contract Code. Securities eligible for deposit hereunder are be limited to those listed in Section 16430 of the Government Code, or bank or savings and loan certificates of deposit.

PROJECT ADMINISTRATION: Submit all Requests for Information (RFI) during the bid period on the Quest website under the Quest #5319893 under "Project Q&A". If the response does not require an addendum, a response will be posted on the Quest website under the RFI under "Project Q&A". It is the bidders' responsibility to check this website under "Project Q&A" for responses to bidders' inquiries during the bid period. Addenda will be uploaded in pdf format to Quest's website and Quest will issue an automatic email notification to all planholders that have acquired the Contract Documents digitally through Quest. The list of planholders will be available on Quest's website under "View Planholders".

No oral responses to any questions concerning the content of the Contract Documents will be given. All responses will be in the form of written addenda to the Contract Documents or written responses to bidders' inquiries. Responses to bidders' inquiries and addenda will be posted on the Quest website as described above.

Inquiries or questions based on alleged patent ambiguity of the plans, specifications, or estimate must be communicated as a bidder inquiry prior to bid opening. These inquiries or questions, submitted after bid opening will not be treated as a bid protest.

BY ORDER OF the Director of the Department of Transportation, County of El Dorado, State of California.

Authorized by the Board of Supervisors on June 26, 2018, at Placerville, California.

By _____
Rafael Martinez, Director
Community Development Services
Department of Transportation

Airport Road Storm Damage Repair Project
Contract No. PW 18-31120, CIP No 78717

STANDARD PLAN LIST

THIS PAGE INTENTIONALLY LEFT BLANK.

ORGANIZATION

Special Provisions are under headings that correspond with the main-Section headings of the *Standard Specifications*. A main-Section heading is a heading shown in the table of contents of the *Standard Specifications*.

Each Special Provision begins with a revision clause that describes or introduces a revision to the *Standard Specifications* as revised by any revised standard specification.

Any paragraph added or deleted by a revision clause does not change the paragraph numbering of the *Standard Specifications* for any other reference to a paragraph of the *Standard Specifications*.

STANDARD PLANS LIST

The standard plan sheets applicable to this Contract include those listed below. The applicable revised standard plans (RSPs) listed below are included in the supplemental project information.

ABBREVIATIONS, LINES, SYMBOLS, AND LEGEND

A3A	Abbreviations (Sheet 1 of 3)
A3B	Abbreviations (Sheet 2 of 3)
A3C	Abbreviations (Sheet 3 of 3)
A10A	Legend - Lines and Symbols (Sheet 1 of 5)
RSP A10B	Legend - Lines and Symbols (Sheet 2 of 5)
A10C	Legend - Lines and Symbols (Sheet 3 of 5)
A10D	Legend - Lines and Symbols (Sheet 4 of 5)
A10E	Legend - Lines and Symbols (Sheet 5 of 5)

PAVEMENT MARKERS, TRAFFIC LINES, AND PAVEMENT MARKINGS

RSP A20A	Pavement Markers and Traffic Lines - Typical Details
-----------------	-------------------------------------------------------------

EXCAVATION AND BACKFILL

A62A	Excavation and Backfill - Miscellaneous Details
A62D	Excavation and Backfill - Concrete Pipe Culverts

OBJECT MARKERS, DELINEATORS, CHANNELIZERS, AND BARRICADES

A73A	Object Markers
A73B	Markers
A73C	Delineators, Channelizers and Barricades

CURBS, DRIVEWAYS, DIKES, CURB RAMPS, AND ACCESSIBLE PARKING

RSP A87B	Hot Mix Asphalt Dikes
RSP D72E	CIP Drainage Inlets - Types GO and GDO
RSP D72F	CIP Drainage Inlets Notes
RSP D72G	CIP Drainage Inlets Tables
RSP D73E	Precast Drainage Inlets - Types GO and GDO
RSP D73F	Precast Drainage Inlets Notes
RSP D73G	Precast Drainage Inlets Tables
RSP D74	Drainage Inlet Details

CONSTRUCTION LOADS ON CULVERTS AND STRUT DETAILS

D88	Construction Loads on Culverts
------------	---------------------------------------

PIPE COUPLING AND JOINT DETAILS

D97H	Reinforced Concrete Pipe or Non-Reinforced Concrete Pipe - Standard and Positive Joints
-------------	------------------------------------------------------------------------------------------------

GABIONS AND UNDERDRAINS

D102	Underdrains
-------------	--------------------

LANDSCAPE AND EROSION CONTROL

RSP H51	Erosion Control Details - Fiber Roll and Compost Sock
----------------	--------------------------------------------------------------

TEMPORARY CRASH CUSHIONS, RAILING AND TRAFFIC SCREEN

T3A	Temporary Railing (Type K)
T3B	Temporary Railing (Type K)

TEMPORARY TRAFFIC CONTROL SYSTEMS

T13	Traffic Control System for Lane Closure on Two Lane Conventional Highways
T17	Traffic Control System for Moving Lane Closure on Two Lane Highways

TEMPORARY WATER POLLUTION CONTROL

T59	Temporary Water Pollution Control Details (Temporary Concrete Washout Facility)
------------	----------------------------------------------------------------------------------------

ROADSIDE SIGNS

RS1	Roadside Signs - Typical Installation Details No. 1
------------	------------------------------------------------------------

- RS2 Roadside Signs - Wood Post - Typical Installation Details No. 2
- RS4 Roadside Signs - Typical Installation Details No. 4

OVERHEAD AND ROADSIDE SIGNS PANELS

- S93 Framing Details for Framed Single Sheet Aluminum Signs, Rectangular Shape
- S94 Roadside Framed Single Sheet Aluminum Signs, Rectangular Shape
- S95 Roadside Single Sheet Aluminum Signs, Diamond Shape

^^^^^^^^^^^^^^^^^^^^^^^^^^^^^^^^^^^^^^^^^^^^^^^^^^^^^^^^^^^^^^^^^^^^^^^^^^^^^^^^^^^^

THIS PAGE INTENTIONALLY LEFT BLANK.

Airport Road Storm Damage Repair Project
Contract No. PW 18-31120, CIP No 78717

CONTRACT SPECIFICATIONS

THIS PAGE INTENTIONALLY LEFT BLANK.

DIVISION I GENERAL PROVISIONS

Add to Section 1-1.01:

Nonstandard Bid Items and Applicable Sections

Item Code	Item Description	Applicable Section
072007A	EXCAVATION SAFETY	7
128651A	PORTABLE CHANGEABLE MESSAGE SIGN	12
170103A	TREE REMOVAL	17
170103B	DEBRIS REMOVAL	17
190101A	ROADWAY EXCAVATION	19
210270A	ROLLED EROSION CONTROL PRODUCT (NETTING) WITH HYDROSEED	21
680902A	6" PERFORATED PLASTIC PIPE UNDERDRAIN (SLOPE)	68
680903A	6' NON-PERFORATED PLASTIC PIPE UNDERDRAIN (CLEANOUT RISER)	68
682042A	CLASS 2 PERMEABLE MATERIAL (BLANKLET)	68

Add to the table in Section 1-1.06:

<u>Abbreviation</u>	<u>Meaning</u>
CVIN	Central Valley Independent Network, LLC
EID	El Dorado Irrigation District
SWD	Sign Working Day
USPS	United States Postal Service

Airport Road Storm Damage Repair Project
PW No. 18-31120, CIP No 78717
 May 15, 2018

County of El Dorado
Special Provisions
 SP-1

Replace the corresponding definitions in Section 1-1.07B with:

Bid Item List: List of bid items and the associated quantities. The Proposal Pay Items and Bid Price Schedule in the Proposal section is the Bid Item List. The verified Bid Item List is Exhibit A Contractor's Bid and Bid Price Schedule in the fully-executed contract for the project.

Contract acceptance: County Clerk/Recorder's recordation of the executed written Notice of Acceptance of a completed Contract.

Department or Department of Transportation: The Department of Transportation in the Community Development Services of the County of El Dorado or Department of Transportation as defined in St & Hwy Code § 20 and authorized in St & Hwy Code § 90; its authorized representatives.

Engineer: The Director of Transportation for County of El Dorado, or authorized representative (Resident Engineer) responsible for the Contract's administration; the Resident Engineer's authorized representatives.

Federal-aid contract: Contract that has a federal-aid project number on the cover of the book titled Contract Documents.

Informal-bid contract: Contract that is noted as informally bid in the *Notice to Bidders*.

Revised Standard Specifications: New or revised standard specifications. These specifications are in a section titled *Revised Standard Specifications* of a book titled *Contract Documents including Notice to Bidders, Special Provisions, Proposal, and Contract*.

Special Provisions: Specifications specific to the project. These specifications are in a section titled *Special Provisions* of a book titled *Contract Documents including Notice to Bidders, Special Provisions, Proposal, and Contract*.

State: The State of California, including its agencies, departments, or divisions, whose conduct or action is related to the work, or County of El Dorado, a political subdivision of the State, and its Community Development Services, Department of Transportation

Structure Design: The Department of Transportation for County of El Dorado or Offices of Structure Design of the Department of Transportation.

Add to Section 1-1.07B:

Contract approval: Execution of the Contract by the County of El Dorado.

Contract award package: The Notice of Award of Contract letter, two originals of the Agreement, Payment and Performance bond forms, and other forms the successful Bidder must complete for Contract Execution.

Contract Documents: See Article 2 "Contract Documents" of the Draft Agreement.

County: County of El Dorado, a political subdivision of the State of California.

Laboratory: The established laboratory of the County of El Dorado Department of Transportation or laboratories authorized by the Engineer to test materials and work involved in the contract.

Office Engineer: The Office Engineer in the County of El Dorado Community Development Services, Department of Transportation or, depending on context, Caltrans Office Engineer

Proposal: The Proposal section of the Contract Documents book or the Bidder’s bid.

Delete “estimated cost” in Section 1-1.07B.

Add to Section 1-1.09:

This Project is in a freeze-thaw area.

Add to Section 1-1.11:

Reference or agency or department unit	Web site	Address	Telephone no.
County of El Dorado Department of Transportation	http://www.edcgov.us/DOT/	2850 Fairlane Court Placerville, CA 95667	(530) 621-5900
County of El Dorado Department of Transportation Office Engineer		2850 Fairlane Court Placerville, CA 95667	(530) 621-5311

Replace Section 1-1.12 with:

Make checks payable to County of El Dorado. Use the bond forms provided in the book titled *Contract Documents including Notice to Bidders, Special Provisions, Proposal, and Agreement*.

^^^^^^^^^^^^^^^^^^^^^^^^^^^^^^^^^^^^^^^^^^^^^^^^^^^^^^^^^^^^^^^^^^^^^^^^^^^^^^^^^^^^

2 BIDDING

Delete the 2nd paragraph of Section 2-1.01.

Replace Section 2-1.06A with:

The Contract Documents book and project plans may be viewed by subscribers at:

Airport Road Storm Damage Repair Project
PW No. 18-31120, CIP No 78717
May 15, 2018

County of El Dorado
Special Provisions
SP-3

1. Sacramento Regional Builders Exchange at www.srbx.org
2. Placer County Contractors Association & Builders Exchange at www.pccamembers.com
3. Mc Graw-Hill Construction Dodge at www.fwdodge.com
4. Construction Bid Board at www.ebidboard.com
5. iSqFt at www.isqft.com
6. Quest Construction Data Network's website as described in the *Notice to Bidders*

The Notice to Bidders can be viewed at <http://www.edcgov.us/Government/DOT/BidsHome.aspx>.

The *Notice to Bidders* includes how and where to obtain the Contract Documents book, the project Plans, and the Supplemental Project Information.

The Contract Documents book includes the *Notice to Bidders, Revised Standard Specifications, Special Provisions, Proposal, and Contract*.

Replace the 3rd paragraph of Section 2-1.06B with:

If an *Informational Handout* or cross sections are available you may view and/or download them at as described in the *Notice to Bidders*.

Add to Section 2-1.06B:

Availability of and requests for rock cores, other supplemental project information, and bridge as-built drawings described in this Section apply only to projects on the State Highway System.

Supplemental Project Information

Means	Description
Available as specified in the <i>Notice to Bidders</i>	<ul style="list-style-type: none"> • Revised Standard Plans • "Geotechnical Engineering Study for Storm Damage Erosion Repair at Airport Road", By Wreco Consultants, dated November 16, 2017.

Replace "RESERVED" in Section 2-1.08 with:

Section 2-1.08 applies to a federal-aid contract.

Under 31 USC § 1352:

Airport Road Storm Damage Repair Project
PW No. 18-31120, CIP No 78717
 May 15, 2018

County of El Dorado
Special Provisions
 SP-4

None of the funds appropriated by any Act may be expended by the recipient of a Federal contract, grant, loan, or cooperative agreement to pay any person for influencing or attempting to influence an officer or employee of any agency, a Member of Congress, an officer or employee of Congress, or an employee of a Member of Congress in connection with:

- (1) The awarding of any Federal contract.
- (2) The making of any Federal grant.
- (3) The making of any Federal loan.
- (4) The entering into of any cooperative agreement.
- (5) The extension, continuation, renewal, amendment, or modification of any Federal contract, grant, loan, or cooperative agreement.

If any funds other than Federal funds have been paid for the same purposes in connection with this Federal-aid contract, submit an executed certification and, if required, submit a completed disclosure form as part your Proposal.

A certification for Federal-aid contracts regarding payment of funds to lobby Congress or a Federal agency is included in the Proposal. Standard Form - LLL, "Disclosure of Lobbying Activities," with instructions for completion of the Standard Form is also included in the Proposal. Signing the Proposal constitutes signature of the Certification.

The certification and disclosure of lobbying activities must be included in each subcontract and any lower-tier contracts exceeding \$100,000. Submit all disclosure forms regardless of tier, but not certifications.

You, your subcontractors, and any lower-tier contractors must file a disclosure form at the end of each calendar quarter in which there occurs any event that requires disclosure or that materially affects the accuracy of the information contained in any disclosure form you, your subcontractors, and any lower-tier contractors previously filed. An event that materially affects the accuracy of the information reported includes:

- A. A cumulative increase of \$25,000 or more in the amount paid or expected to be paid for influencing or attempting to influence a covered Federal action; or
- B. A change in the person(s) or individual(s) influencing or attempting to influence a covered Federal action; or,
- C. A change in the officer(s), employee(s), or Member(s) contacted to influence or attempt to influence a covered Federal action.

Replace "Bid Item List" in Section 2-1.09 with:

Proposal Pay Items and Bid Price Schedule.

Replace the 2nd paragraph in Section 2-1.10 with:

The Subcontractor List in the Proposal must show the name, contractor's license number, address, and work portions to be performed by each subcontractor listed. The work portion to be performed must be shown by listing the bid item number, bid item description, and portion of the work to be performed by the subcontractor in the form of a percentage (not to exceed 100%) calculated by dividing the work to be performed by the subcontractor by the respective bid item amount(s) (not by the total bid price).

An inadvertent error in listing the California Contractor license number on the Subcontractor List will not be grounds for filing a bid protest or grounds for considering the bid non-responsive if the Bidder submits the corrected contractor's license number to Brian Franklin via fax (530) 626-0387 or email Brian.Franklin@edcgov.us within 24 hours after the bid opening, provided the corrected contractor's license number corresponds to the submitted name and location for that subcontractor.

Add to Section 2-1.12B(1):

The Contractor must also carry out applicable requirements of 2 CFR Part 200 in the award and administration of this UNITED STATES DEPARTMENT OF TRANSPORTATION (USDOT)-assisted Contract. The applicable requirements of 2 CFR Part 200 are as follows:

1. *Contracting with small and minority firms, women's business enterprise and labor surplus area firms.*
 - a. Contractor will take all necessary affirmative steps to assure that minority firms, women's business enterprises, and labor surplus area firms are used when possible.
 - b. Affirmative steps must include:
 - i. Placing qualified small and minority businesses and women's business enterprises on solicitation lists;
 - ii. Assuring that small and minority businesses, and women's business enterprises are solicited whenever they are potential sources;
 - iii. Dividing total requirements, when economically feasible, into smaller tasks or quantities to permit maximum participation by small and minority business, and women's business enterprises;
 - iv. Establishing delivery schedules, where the requirement permits, which encourage participation by small and minority business, and women's business enterprises;
 - v. Using the services and assistance of the Small Business Administration, and the Minority Business Development services of the Department of Commerce; and
 - vi. Requiring the prime contractor, if subcontracts are to be let, to take the affirmative steps listed in paragraphs (a)(2) (i) through (v) of this Section.

Bidder will take all necessary affirmative steps to assure that minority firms, women's business enterprises and labor surplus area firms are used when possible.

Add to Section 2-1.12B(2):

Bidders other than the apparent low bidder, the 2nd low bidder, and the 3rd low bidder are not required to submit the DBE commitment form unless the Department requests it. If the Department requests a DBE commitment form from you, submit the completed form within 5 business days of the request via email or fax to Office Engineer, email Brian.Franklin@edcgov.us, Fax (530) 626-0387.

Add to Section 2-1.12B(3):

As provided in 49 CFR 26.53(d) if the Department determines that the apparent successful Bidder failed to meet the Good Faith Effort requirements, the Department will provide the apparent successful low Bidder an opportunity for administrative reconsideration before awarding the Contract. The Department will provide the apparent successful low Bidder an opportunity to submit written documentation or argument and meet in person with the reconsideration official concerning the issue of whether it met the goal or made adequate good faith efforts to do so. The reconsideration official is someone who did not participate in the original determination that the goal or good faith effort was not met.

Replace Section 2-1.15 "Disabled Veteran Business Enterprises" with:

2-1.15 RESERVED

Replace Section 2-1.27 "CALIFORNIA COMPANIES" with:

2-1.27 RESERVED

Replace Section 2-1.33 with:

Except as noted below, complete all pages of the Proposal in the Contract Documents book and submit the completed Proposal with the Bidder's Security as noted in the *Notice to Bidders*.

Submit the forms from the Proposal and form information at the times shown in the following table:

Contract type	Forms to be submitted at the time of bid	Forms to be submitted and received no later than 24 hours after bid opening ^a	Forms to be submitted and received no later than 4 p.m. on the 5th business day after bid opening ^a
All Contracts	All Proposal forms including Business name and address; bid item number, bid item description of subcontracted work on the Subcontractor List	<ul style="list-style-type: none"> • Subcontractor name, bid item number, bid item description shown on the Subcontractor List submitted with Proposal, and the percentage of each bid item^b • Correction for incorrect Contractor License # on Subcontractor List submitted with Proposal 	--
Federal-aid Contracts Only	--	--	<ul style="list-style-type: none"> • Local Agency Bidder - DBE – Commitment (Exhibit 15-G)^c • DBE Information - Good Faith Efforts (Exhibit 15-H) and Documentation^c

^aThe percentage of each bid item and the 15-G and 15-H forms may be submitted at the time of bid.

^bIf the information is not submitted at time of bid, email or fax correction information to Office Engineer, email-Brian.Franklin@edcgov.us or Fax-(530-626-0387) to Office Engineer. This after-bid submittal does not apply to an informal bid contract. For an informal bid contract, submit the completed form at the time of bid.

^cIf not submitted at the time of bid, applicable only to the apparent low bidder, 2nd low bidder, and 3rd low bidder. Submit via email or fax to Office Engineer, email-Brian.Franklin@edcgov.us, Fax-(530-626-0387) to Office Engineer.

Failure to submit the forms and information as specified results in a non-responsive bid.

If an agent other than the authorized corporation officer or a partnership member signs the bid, submit a Power of Attorney authorizing the agent to sign on behalf of the principal with the bid. Otherwise, the bid may be disregarded as irregular or unauthorized.

Replace the 4th item of the 1st paragraph of Section 2-1.34 with:

- (a) Bidder's bond signed by an authorized representative of a surety insurer who is licensed in California. The authorized representative's signature must be notarized and authorization documentation must be provided.

Delete the 5th item of the 1st paragraph and the 3rd paragraph of Section 2-1.34.

Replace the last paragraph of Section 2-1.34 with:

If using a bidders bond, you must complete the Bidder's bond form included in in the Contract Documents following the Proposal and submit it with your proposal.

Delete the 2nd paragraph of Section 2-1.40.

Replace "Reserved" in Section 2-1.44 with:

2-1.44 BID PROTEST PROCEDURE

The protest procedure is intended to handle and resolve disputes related to the bid award for this project pursuant to Title 2 Code of Federal Regulations Part 200.318(k) and County policies and procedures. A protestor must exhaust all administrative remedies with County before pursuing a protest with a Federal Agency. Reviews of protests by the Federal agency will be limited to:

1. Violations of Federal law or regulations and the standards of 2 Code of Federal Regulations Part 200.318(k). Violations of State of California or local law will be under the jurisdiction of the State or County; and
2. Violation of County's protest procedures for failure to review a complaint or protest. Protests received by the Federal agency other than those specified above will be referred to County.

The protest procedure is an extension of the formal bid process and allows those who wish to protest the recommendation of an award after bid the opportunity to be heard.

Policy: Upon completion of the bid evaluation, the Department will notify all bidders of the recommendation of award, the basis therefore, and the date and time on which the recommendation for award will be considered and acted upon by either the Board of Supervisors, or the Chief Administrative Officer and the Department of Transportation Director. All bidders may attend the Board of Supervisors meeting at the time the agenda item is considered, address the Board of Supervisors, and be heard.

Procedure: If you wish to protest the award, this is the procedure:

1. The Department will review the bids received in a timely fashion under the terms and conditions of the *Notice to Bidders*, and notify you in writing, at the fax number designated in the Proposal, of its recommendation including for award or rejection of bids ("All Bidders Letter").

2. Within 2 business days from the date of the "All Bidders Letter," the Bidder protesting the recommendation for award must submit a letter of protest to and must be received by Office Engineer, Attention Brian Franklin, and state in detail the basis and reasons for the protest. The Bidder must provide facts to support the protest, including any evidence it wishes to be considered, together with the law, rule, regulation, or criteria on which the protest is based.
3. If the Department finds the protest to be valid, it may modify its award recommendations and notify all bidders of that decision. If the Department does not agree with the protest, or otherwise fails to resolve the protest, the Department will notify the bid protestor and all interested parties of its decision and the date and time that the recommendation for award will be agendized for the Board of Supervisors' consideration and action. The Department will also include in its report to the Board of Supervisors the details of the bid protest.
4. The Bidder may attend the Board of Supervisors meeting at which the recommendation and bid protest will be considered. The Board of Supervisors will take comment from the Bidder, staff, and members of the public who wish to speak on the item. If the Bidder is not in attendance at that time, the bid protest may be dismissed by the Board of Supervisors without further consideration of the merits; and

The decision of the Board of Supervisors on the bid protest will be final.

Replace the 1st sentence in section 2-1.46 with:

County Board of Supervisors' decision on the bid award is final.

Replace the 1st sentence in the 2nd paragraph section 2-1.46 with:

County Board of Supervisors may reject:

Replace Section 2-1.47 with:

2-1.47 BID RELIEF

County Board of Supervisors may grant bid relief under Pub Cont Code § 5100 et seq. Submit any request for bid relief to Office Engineer, email-Brian.Franklin@edcgov.us, Fax-(530) 626-0387. Requests for bid relief must be in writing within 5 business day of the bid opening and must demonstrate:

1. A mistake was made in your bid.
2. The mistake made the bid materially different than what you intended.
3. The mistake was made in filling out the bid and not due to an error in judgment or to carelessness in inspecting the site of work or in reading the plans or specifications.

Delete Section 2-1.49.

AAAAAAAAAAAAAAAAAAAAAAAAAAAAAAAAAAAAAAAAAAAAAAAAAAAAAAAAAAAAAAAA

3 CONTRACT AWARD AND EXECUTION

Replace Section 3-1.04 with:

The Department of Transportation, or in some cases the Board of Supervisors will consider bids for award. County reserves the right after opening bids to reject any or all bids, to waive any irregularity in a bid, or to make award to the lowest responsive, responsible Bidder and reject all other bids, as it may best serve the interests of County. The award of the Contract, if it be awarded, will be to the lowest, responsive, responsible Bidder who's Proposal complies with all the requirements prescribed. This award, if made, will be made within sixty (60) days after the opening of the bids. This period will be subject to extension as may be agreed upon in writing between the Department and the Bidder concerned.

All bids will be compared on the basis of the Proposal Pay Items and Bid Price Schedule of the quantities of work to be done.

The lowest, responsive, responsible bidder will be the Bidder submitting the lowest additive total of all the bid items and meeting all other requirements. In the event of a discrepancy between the unit price bid and the extended unit total as stated on the Proposal, the Department uses the amount bid for the unit price in calculating the additive total of the bid items for purposes of award, including revisions by Addenda, and as specified in the Proposal instructions.

Replace Section 3-1.05 with:

3-1.05 CONTRACT BONDS (PUB CONT CODE § 7103)

The successful Bidder must furnish two bonds:

1. Payment bond to secure the claim payments of laborers, workers, mechanics, or materialmen providing goods, labor, or services under the Contract. This bond must be in a sum not less than one hundred percent (100%) of the total amount payable by the terms of the contract, naming the County as obligee.
2. Performance bond to guarantee faithful performance of the Contract. This bond must be in a sum not less than one hundred percent (100%) of the total amount payable by the terms of the contract, naming the County as obligee.

The Payment and Performance Bond forms are included with the Draft Agreement Section of the Contract Documents book. The Department furnishes the successful Bidder bond forms with the Contract award package.

Replace the 1st paragraph and the 1st item of the 2nd paragraph of Section 3-1.06 with:

For a federal-aid contract, the Contractor must be properly licensed as a contractor from contract award (Pub Cont Code § 20103.5) through completion and acceptance of the Work, including the guarantee period. Failure to obtain proper and adequate licensing for an award of a Contract constitutes a failure to execute the Contract and results in the forfeiture of the security of the bidder.

1. The Contractor must be properly licensed as a contractor from bid opening (Bus & Prof Code § 7028.15) through completion and acceptance of the Work, including the guarantee period. Failure to obtain proper and adequate licensing constitutes a failure to execute the Contract and results in the forfeiture of the security of the bidder.

Replace Section 3-1.08 “SMALL BUSINESS PARTICIPATION REPORT” with:

3-1.08 RESERVED

Replace Section 3-1.11 with:

3-1.11 COUNTY PAYEE DATA RECORD FORM

Complete and sign the County *Payee Data Record* form included in the Contract award package.

Replace Section 3-1.18 with:

3-1.18 CONTRACT EXECUTION

The successful Bidder must sign the *Agreement*.

Deliver to Office Engineer:

- 1) Two Original Signed *Agreements*, including the attached form FHWA-1273
- 2) Contract Bonds
- 3) Documents identified in Section 3-1.07 and 7-1.06
- 4) County *Payee Data Record* form
- 5) California Form 590-Withholding Exemption Certificate
- 6) Documents identified in and marked as specified in Section 3-1.14, if applicable.

Office Engineer must receive these documents within five (5) business days of the date of the Notice of Award of Contract letter.

The Bidder's security may be forfeited for failure to execute the Contract, furnish any bond, or provide the required insurance documents within the time specified.

The Department does not provide hard copies of the Contract Documents, including the Project Plans to the successful bidder.

Replace Section 3-1.19 with:

3-1.19 BIDDERS' SECURITIES (Pub Cont Code § 20129)

The Department returns the securities of the unsuccessful Bidders within 30 days of Contract award. The Department returns the successful Bidder's security within 60 days of Contract execution.

^^^^^^^^^^^^^^^^^^^^^^^^^^^^^^^^^^^^^^^^^^^^^^^^^^^^^^^^^^^^^^^^^^^^^^^^^^^^^^^^^^^^^^^^^^^^

4 SCOPE OF WORK

Delete Section 4-1.07C.

^^^^^^^^^^^^^^^^^^^^^^^^^^^^^^^^^^^^^^^^^^^^^^^^^^^^^^^^^^^^^^^^^^^^^^^^^^^^^^^^^^^^^^^^^^^^

5 CONTROL OF WORK

Replace the 5th paragraph of Section 5-1.01 with:

Ensure the Department's, Caltrans, FHWA, Army Corps of Engineers, California Department of Fish and Wildlife, California Regional Water Quality Control Board Central Valley Region, El Dorado Irrigation District, PG&E, AT&T, COMCAST, and CVIN safe access to the work. Furnish facilities necessary for the Department's, Caltrans, FHWA, Army Corps of Engineers, California Department of Fish and Wildlife, California Regional Water Quality Control Board Central Valley Region, El Dorado Irrigation District, PG&E, AT&T, COMCAST, and CVIN inspection.

Access must be provided to emergency personnel as needed during construction activities.

Add to Section 5-1.01:

The Engineer must be provided access to the existing storm drain culvert for inspection once exposed and before the culvert is destroyed or removed. The Engineer must have the opportunity to document the existing culverts condition before it is destroyed or removed.

Delete Section 5-1.09.

Replace the 6th paragraph of Section 5-1.13A with:

Each subcontract must include the provisions of this contract and each subcontractor must comply with the applicable terms and conditions of this contract.

Replace the 7th paragraph of Section 5-1.13A with:

The Department encourages you to and, for USDOT federal-aid assisted projects, you must include a dispute resolution process in each subcontract.

Replace the 1st sentence of the 2nd paragraph of Section 5-1.13B(1) with:

Use each DBE Subcontractor as listed on the Subcontractor List form and the Local Agency Bidder – DBE Commitment (Construction Contracts) Exhibit 15-G form unless you receive authorization for a substitution.

Replace the last sentence of the 6th paragraph of Section 5-1.13B(1) with:

Submit the form with the final estimate acceptance statement, which accompanies the Proposed Final Pay Estimate.

Replace the 2nd sentence of the 7th paragraph of Section 5-1.13B(1) with:

Submit the form with the final estimate acceptance statement, which accompanies the Proposed Final Pay Estimate.

Replace the 2nd paragraph of Section 5-1.13B(2) with:

DBEs must perform work or supply materials as listed in the Local Agency Bidder-DBE Commitment (Construction Contracts), Exhibit 15-G form.

Replace the 7th paragraph of Section 5-1.13B(2) with:

Unless the Department authorizes (1) a request to use other forces or sources of materials or (2) a good faith effort for a substitution of a terminated DBE, the Department does not pay for work listed on the Local Agency Bidder-DBE Commitment (Construction Contracts), Exhibit 15-G form unless it is performed or supplied by the listed DBE or an authorized substitute.

Replace Section 5-1.13C “DISABLED VETERANS BUSINESS ENTERPRISES” with:

5-1.13C RESERVED

Replace Section 5-1.13D “NON-SMALL BUSINESSES” with:

5-1.13D RESERVED

Add to the end of section 5-1.20A:

During the progress of the work under this Contract, work under the following contracts may be in progress at or near the job site of this Contract:

Coincident or Adjacent Contracts

Contract Name	Construction Administration Contact Information	Location	Type of work
Sierra Tank Bypass Project	City of Placerville Celeste Wilson 530-542-5589	On Airport Road, about 1400 linear feet southwest of the County " Airport Road Storm Damage Repair" Project.	Project includes installation of 6-inch PRV station, 330 LF of 4-inch & 6-inch C900 pipe and 40 – 1-inch residential pressure regulators. Demolition of existing treatment plant including tanks, sand filters and appurtenances.

Contact the County Engineer before installation of PCM signs and the County Engineer will coordinate your construction activities with the "City of Placerville Sierra Tank Bypass Project" Engineer.

Replace Section 5-1.20B(4) with:

Before procuring material, disposing of material, or otherwise using non-highway property, obtain a written agreement from the property owner.

Add Section to 5-1.20B(4):

All proposed construction lies within current County Right of Way.

Add to the end of Section 5-1.20E:

The local water authority is El Dorado Irrigation District (EID).

Replace "Reserved" in Section 5-1.20G with:

5-1.20G Coordination With Schools

You must provide written notice to the following schools at least one (1) week prior to the start of construction activities, any lane closures, detours, construction staging or any work that may affect traffic or pedestrians through the construction area:

El Dorado Union High School District

Stephen Wehr, Superintendent
4675 Missouri Flat Road
Placerville, Ca 95667
530-622-5081
Fax 530-622-5087

Gold Oak Union School District

Meg Enns, Superintendent
3171 Pleasant Valley Road
Placerville, CA 95667
530-626-3150
Fax 6263145

Placerville Union School District

Eric Bonniksen, Superintendent
1032 Thompson Way
Placerville, CA 95667
530-622-7216
Fax 530-622-0336

Written notices must be approved by Engineer prior to being sent by Contractor. Submit notice 3 business days in advance of sending to Engineer for review and approval.

Replace “Reserved” in Section 5-1.20H with:

5-1.20H Coordination With Property Owners

You must make every effort to communicate with adjacent property owners and tenants to inform them of required access for construction operations, and must give forty-eight (48) hours’ notice to the property owners and tenants when work is to be performed on their property.

Replace “RESERVED” in Section 5-1.24 with:

5-1.24 COST PRINCIPLES

Comply with the Federal Acquisition Regulations in Title 48, CFR, Part 31 et seq. as applicable, regarding allowable elements of cost for med under this Contract.

- A. You and your subcontractors must comply with 2 CFR Part 225 (formerly OMBA-87), Cost Principles for State, Local And Indian Tribal Governments; with Federal administrative procedures pursuant to 2 CFR, Part 200, Uniform Administrative Requirements for Grants and Cooperative Agreements to State and Local Governments; and with Contract Cost Principles, 48 CFR, Federal Acquisition Regulations System, Chapter 1, Parts 31 et seq., insofar as those regulations may apply. This provision applies to every sub-recipient receiving funds as a Contractor or subcontractor under this Contract.
- B. Any expenditures for costs for which you have received payment or credit that are determined by subsequent audit to be unallowable under 2 CFR Part 225, 48 CFR, Parts 31 et seq. or 2 CFR, Part 200 are subject to repayment to County.
- C. Travel and per diem reimbursements, if applicable, and third-party contract reimbursements to subcontractors will be allowable as project costs only after you incur and pay for those costs.

- D. Notwithstanding any other provision of the Contract Documents to the contrary, payments for mileage, travel or subsistence expenses, if applicable, for your staff or your subcontractors claimed for reimbursement must not exceed the lesser of (1) the rates to be paid to County employees under the current Board of Supervisors Travel Policy in effect at the time the expenses are incurred; or (2) the rates authorized to be paid to rank and file State employees under current State Department of Personnel Administration (DPA) rules. If the rates claimed are in excess of those authorized DPA rates, you are responsible for the cost difference, and you must reimburse County for any overpayments inadvertently within thirty (30) days of County's demand.
- E. You and your subcontractors must establish and maintain accounting systems and records that properly accumulate and segregate funds received under this Agreement by line item. Your and your subcontractor's accounting systems must conform to Generally Accepted Accounting Principles (GAAP), must enable the determination of incurred costs at interim points of completion, and must provide support for reimbursement of payment vouchers or invoices.

Add item 3 to the 1st paragraph of Section 5-1.27B:

- 3. Closure of all other pending matters under this Contract.

Replace the opening phrase of the 2nd paragraph of Section 5-1.27B with:

For at least 4 years after the later of these, retain cost records, including records of:

Replace Section 5-1.27C with:

5-1.27C Record Inspection, Copying, and Auditing

Make your records available for inspection, copying, and auditing by FHWA, the United States Department of Transportation, the Comptroller General of the United States, the State, County or their duly authorized representatives for the same time frame specified under Section 5-1.27 B. The records of subcontractors and suppliers must be made available for inspection, copying, and auditing by FHWA, the United States Department of Transportation, the Comptroller General of the United States, the State, County or their duly authorized representatives for the same period. Make records available for examination during normal business hours at your principal place of business in California, for audit during normal business hours at this place of business. Provide office space, photocopies and other assistance to enable audit or inspection representatives to conduct these audits or inspections.

Incorporate this provision in any subcontract entered into as a result of this Contract. Require subcontractors to agree to cooperate with the listed agencies by making all appropriate and relevant Project records available to those agencies for audit and copying.

Replace Section 5-1.27E with:

5-1.27E Change Order Bills

Maintain separate records for change order work costs. Submit paper copy change order bills.

Delete the 2nd and 3rd paragraphs of Section 5-1.32:

Add to the end of Section 5-1.32:

Personal vehicles of your employees must not be parked on the traveled way or shoulders, except for sections closed to traffic.

Personal vehicles must not block residential driveways.

Add to the 3rd paragraph of Section 5-1.36D.

Pothole all underground utilities prior to construction activities. Underground Service Alert Phone: 811

El Dorado Irrigation District (EID)
Main # 24 hr.: (530) 622-4513
Mike Brink
(530) 642-4054
Fax (530) 642-4354
2890 Mosquito Road
Placerville, CA 95667

Pacific Gas and Electric Company
24 Hr. # (800) 743-5000
Jennifer Donovan
(530) 621-7228
(530) 621-7258
4636 Missouri Flat Road
Placerville, CA 95667

CVIN
24 HR # (559) 554-9211
Barbara Nelson
(559) 554-9119
Fax (559) 442-6047
9479 N. fort Washington Avenue #105
Fresno, CA 93730

Comcast
Steve Abelia
(916) 830-6757
1242 National Drive
Sacramento, CA 95834

and

Jesse De La Cruz (SEFNCO Communications,
Subcontractor to Comcast)
(925) 337-7043
Fax (916) 288-9954
8615 Elder Creek Road
Sacramento, CA 95828

AT&T
24 Hr. # (866) 346-1168
Astrid Willard
(916) 484-2388
2700 Watt Ave, Room 3473-11
Sacramento, CA 95821

^^^^^^^^^^^^^^^^^^^^^^^^^^^^^^^^^^^^^^^^^^^^^^^^^^^^^^^^^^^^^^^^^^^^^^^^^^^^^^^^^^^^^^^^^^^^^^^^^^^^^^^^^^^^^^^^^^^^

6 CONTROL OF MATERIALS

Airport Road Storm Damage Repair Project
PW No. 18-31120, CIP No 78717
May 15, 2018

County of El Dorado
Special Provisions
SP-18

Replace the 1st sentence of the 3rd paragraph of Section 6-2.01E with:

The Department provides an inspection request form and procedures for its submittal.

Replace the 3rd paragraph of Section 6-2.01F with:

Submit material to be tested with a *Sample Identification Card* provided by the Department.

AAAAAAAAAAAAAAAAAAAAAAAAAAAAAAAAAAAAAAAAAAAAAAAAAAAAAAAA

7 LEGAL RELATIONS AND RESPONSIBILITY TO THE PUBLIC

Add to Section 7-1.02A:

County is relying on federal assistance or grants as well as on state funds for all or a portion of the funding for the Work to be provided under this Contract. As a requirement of County's use of federal and state funds, County is required to comply with certain federal and state contracting requirements and to extend those requirements to its third party contracts. You must comply and must require your subcontractors to comply with all applicable provisions of federal and state regulations, including those required by Caltrans and Federal Highway Administration (FHWA) grant funding requirements, regulations, and related executive orders regarding the use, expenditure, control, reporting, allowable costs and management of such funds as well as these requirements detailed in 2 CFR Part 200, Uniform Administrative Requirements for Grants and Cooperative Agreements to State and Local Governments. You must further comply with all applicable provisions of the Caltrans Local Assistance Procedures Manual and the Local Assistance Program Guidelines, all Title 23 Federal requirements, all 2 CFR Part 200 requirements, and all applicable state and federal laws, regulations and policy; procedural or instructional memoranda. Failure to comply with any federal or state provision may be the basis for withholding payments and for such other remedies as may be appropriate including termination of this Contract. You must also comply with any flow-down or third-party contracting provisions which may be required under the federal and state regulations and which may apply to your subcontracts, if any, associated with this Contract. You must ensure that all subcontractors submit certifications regarding federal lobbying activities as required by Section 1352, Title 31, United State Code and that all such certifications are made a part of any subcontracts entered into as a result of this contract.

Replace Section 7-1.02C "Emissions Reduction" with:

Section 7-1.02C Emissions Reduction

Sign the Emissions Reduction Certification in Article 13 "Emissions Reduction" of the Agreement.

Replace "Reserved" in Section 7-1.02D with:

7-1.02D Reporting [2 CFR 200.317 et seq. & 2 CFR 200.328]

In order to monitor the progress of projects funded in whole or in part by federal funds, federal agencies rely heavily on inspection data. Inspections by the County will be performed on a regular basis and data compiled in report form, as necessary. Supply reporting information to County when requested.

Incorporate this provision in any subcontract entered into as a result of this contract.

Replace “Reserved” in Section 7-1.02E with:

7-1.02E Copyrights, Trademarks, and Patents [2 CFR 200.315]

This project will be funded, in part, with federal funds. The USDOT reserves a royalty-free, non-exclusive, and irrevocable license to reproduce, publish or otherwise use, and to authorize others to use, for Federal Government proposes:

1. The copyright in any work developed under a grant, sub-grant, or contract under a grant or subgrant;
2. Any rights of copyright to which a grantee, subgrantee or a contractor purchases ownership with grant support; and
3. The patent rights to any discovery or invention which arises or is developed in the course of or under such contract.

Incorporate this provision in any subcontract entered into as a result of this contract.

7-1.02E Copyrights [2 CFR 200.448]

The USDOT reserves a royalty-free, non-exclusive, and irrevocable license to reproduce, publish or otherwise use, and to authorize others to use, for Federal Government proposes:

2. The copyright in any work developed under a grant, sub-grant, or contract under a grant or subgrant; and
3. Any rights of copyright to which a grantee, subgrantee or a contractor purchases ownership with grant support.

Incorporate this provision in any subcontract entered into as a result of this contract.

Replace “Reserved” in Section 7-1.02F with:

7-1.02F Clean Air Act and Clean Water Act [2 CFR 200 - Appendix II to Part 200]

Comply with all applicable standards, orders or requirements issued under Section 306 of the Clean Air Act (42 U.S.C. 1857 [h]), Section 508 of the Clean Water Act (33 U.S.C. 1368), Executive Order 11738, and Environmental Protection Agency regulations (40 CFR Part 15).

Incorporate this provision in any subcontract entered into as a result of this contract.

Replace “Reserved” in Section 7-1.02G with:

7-1.02G Energy Policy and Conservation Act [Public Law 94-163]

Comply with mandatory standards and policies relating to energy efficiency, which are contained in the state energy conservation plan issued in compliance with the Energy Policy and Conservation Act (Pub. : 94-163, 89 Stat. 871).

Incorporate this provision in any subcontract entered into as a result of this contract.

Replace “Reserved” in Section 7-1.02H with:

7-1.02H Rehabilitation Act of 1973 and American Disabilities Act of 1990

- Comply with: Section 504 of the Rehabilitation Act of 1973 (Rehabilitation Act) which prohibits discrimination on the basis of disability in federally assisted programs;
- The Americans with Disabilities Act (ADA) of 1990 which prohibits discrimination on the basis of disability irrespective of funding; and
- All applicable regulations and guidelines issued pursuant to both the Rehabilitation Act and the ADA.

Incorporate this provision in any subcontract entered into as a result of this contract.

Add to the end of Section 7-1.02I(2):

You must comply and must require your subcontractors to comply with the Fair Employment Practices Addendum attached as Exhibit B to the Draft Agreement and the Nondiscrimination Assurances attached as Exhibit C to the Draft Agreement of the Contract Documents.

Replace item 1 of the 2nd paragraph of Section 7-1.02K(2) with:

1. At the County of El Dorado Community Development Services Department of Transportation’s principal office, and are available upon request.

Add to the end of Section 7-1.02K(2):

Copies of the general prevailing rate of wages in the county in which the Work is to be done are also on file at the Department of Transportation’s principal office, and are available upon request, and in case of projects involving federal funds, federal wage requirements as predetermined by the United States Secretary of Labor have been included in the Contract Documents. Addenda to modify the Federal minimum wage rates, if necessary, will be issued as described in the Project Administration Section of this Notice to Bidders.

In the case of federally funded projects, where federal and state prevailing wage requirements apply, compliance with both is required. This project is funded in whole or part by federal funds. Comply with Exhibit D of the Draft Agreement and the requirements of, and compliance with the Copeland Act (18

U.S.C. 874 and 29 CFR Part 3), the Davis-Bacon Act (40 U.S.C. 276a to 276a-7 and 29 CFR Part 5), and the Contract Work Hours and Safety Standards Act (40 U.S.C. 327-330 and 29 CFR Part 5).

If there is a difference between the minimum wage rates predetermined by the Secretary of Labor and the general prevailing wage rates determined by the Director of the California Department of Industrial Relations for similar classifications of labor, Contractor and subcontractors must pay not less than the higher wage rate. The Department will not accept lower State wage rates not specifically included in the Federal minimum wage determinations. This includes "helper" (or other classifications based on hours of experience) or any other classification not appearing in the Federal wage determinations. Where Federal wage determinations do not contain the State wage rate determination otherwise available for use by Contractor and subcontractors, Contractor and subcontractors must pay not less than the federal minimum wage rate which most closely approximates the duties of the employees in question.

Delete paragraphs 5 through 9 of Section 7-1.02K(3).

Add to Section 7-1.02K(4):

It is County policy to encourage the employment and training of apprentices on public works contracts as may be allowed under local apprenticeship standards.

Add to Section 7-1.02K(6)(b):

Interpret "signature" to mean signed and stamped by a registered professional engineer.

Excavation Safety plan must include any temporary excavation/shoring which may be required for the construction of the benched embankment, keyway trench, rock placement and removal and replacement of storm drain pipe.

7-1.02K(6)(b)(i) Payment

The Department pays for preparing and submitting protection system shop drawings and installing, maintaining, and removing shoring and bracing, sloping the sides of excavations, or equivalent method for excavations 5 feet deep and greater. The Engineer has the discretion to reduce payment where the need for excavation protection is indicated on the Plans but not required in the field.

Temporary excavation/shoring plan will be included in payment for Excavation Safety.

Replace "Reserved" in Section 7-1.02M(2) with:

7-1.02M(2) Fire Prevention

Cooperate with local fire prevention authorities in eliminating hazardous fire conditions.

Obtain the phone numbers of the nearest fire suppression agency, California Department of Forestry and Fire Protection (Cal Fire) unit headquarters, United States Forest Service (USFS) ranger district office, and U.S. Department of Interior (USDI) BLM field office. Submit these phone numbers to the Engineer before the start of job site activities.

Immediately report to the nearest fire suppression agency fires occurring within the project limits.

Prevent project personnel from setting open fires that are not part of the work.

Prevent the escape of and extinguish fires caused directly or indirectly by job site activities.

Except for motor trucks, truck tractors, buses, and passenger vehicles, equip all hydrocarbon-fueled engines, both stationary and mobile including motorcycles, with spark arresters that meet USFS standards as specified in the *Forest Service Spark Arrester Guide*. Maintain the spark arresters in good operating condition. Spark arresters are not required by Cal Fire, the BLM, or the USFS on equipment powered by properly maintained exhaust-driven turbo-charged engines or equipped with scrubbers with properly maintained water levels. The *Forest Service Spark Arrester Guide* is available at the district offices.

Each toilet must have a metal ashtray at least 6 inches in diameter by 8 inches deep half-filled with sand and within easy reach of anyone using the facility.

Locate flammable materials at least 50 feet away from equipment service, parking, and gas and oil storage areas. Each small mobile or stationary engine site must be cleared of flammable material for a radius of at least 15 feet from the engine.

Each area to be cleared and grubbed must be cleared and kept clear of flammable material such as dry grass, weeds, brush, downed trees, oily rags and waste, paper, cartons, and plastic waste. Before clearing and grubbing, clear a fire break at the outer limits of the areas to be cleared and grubbed. Other fire breaks may be ordered and are change order work.

Furnish the following fire tools:

1. 1 shovel and 1 fully charged fire extinguisher UL rated at 4 B:C or more on each truck, personnel vehicle, tractor, grader, or other heavy equipment.
2. 1 shovel and 1 backpack 5-gallon water-filled tank with pump for each welder.
3. 1 shovel or 1 chemical pressurized fire extinguisher, fully charged, for each gasoline-powered tool, including chain saws, soil augers, and rock drills. The fire tools must always be within 25 feet from the point of operation of the power tool. Each fire extinguisher must be of the type and size required by the Pub Res Code § 4431 and 14 CA Code of Regs § 1234. Each shovel must be size O or larger and at least 46 inches long.

Furnish a pickup truck and driver that will be available for fire control during working hours.

The pickup truck and operator must patrol the area of construction for at least 1/2 hour after job site activities have ended.

Cal Fire, USFS, and BLM have established the following adjective class ratings for 5 levels of fire danger for use in public information releases and fire protection signing: low, moderate, high, very high, extreme. Obtain the fire danger rating daily for the project area from the nearest Cal Fire unit headquarters, USFS ranger district office, or BLM field office.

Arrangements have been made with Cal Fire, USFS, and BLM to notify the Department when the fire danger rating is very high or extreme. This information will be furnished to the Engineer who will notify

you for dissemination and action in the area affected. If a discrepancy between this notice and the fire danger rating obtained from the nearest office of either Cal Fire or USFS exists, you must conduct operations according to the higher of the two fire danger ratings.

If the fire danger rating reaches very high:

1. Falling of dead trees or snags must be discontinued.
2. No open burning is permitted and fires must be extinguished.
3. Welding must be discontinued except in an enclosed building or within an area cleared of flammable material for a radius of 15 feet.
4. Blasting must be discontinued.
5. Smoking is allowed only in automobiles and cabs of trucks equipped with an ashtray or in cleared areas immediately surrounded by a fire break unless prohibited by other authority.
6. Vehicular travel is restricted to cleared areas except in case of emergency.

If the fire danger rating reaches extreme, take the precautions specified for a very high fire danger rating except smoking is not allowed in an area immediately surrounded by a firebreak and work of a nature that could start a fire requires that properly equipped fire guards be assigned to such operation for the duration of the work.

The Engineer may suspend work wholly or in part due to hazardous fire conditions. The days during this suspension are non-working days.

If field and weather conditions become such that the determination of the fire danger rating is suspended, Section 7-1.02M(2) will not be enforced for the period of the suspension of the determination of the fire danger rating. The Engineer will notify you of the dates of the suspension and resumption of the determination of the fire danger rating.

Replace the 15th paragraph of Section 7-1.04 with:

Notify the Engineer not less than three (3) days and not more than ten (10) days before the anticipated start of an activity that will change the vertical or horizontal clearance available to traffic, including shoulders.

Add to the end of Section 7-1.04:

Where 2 or more lanes in the same direction are adjacent to the area where the work is being performed, including shoulders, the adjacent lane must be closed under any of the following conditions:

1. Work is off the traveled way but within 6 feet of the edge of the traveled way, and the approach speed is greater than 45 miles per hour
2. Work is off the traveled way but within 3 feet of the edge of the traveled way, and the approach speed is less than 45 miles per hour

Closure of the adjacent traffic lane is not required when performing any of the following:

1. Working behind a barrier
2. Paving, grinding, or grooving
3. Installing, maintaining, or removing traffic control devices except Type K temporary railing

Do not reduce an open traffic lane width to less than 10 feet. When traffic cones or delineators are used for temporary edge delineation, the side of the base of the cones or delineators nearest to traffic is considered the edge of the traveled way.

Replace Section 7-1.05 "Indemnification" with:

7-1.05 INDEMNIFICATION

Comply with Article 5 "Indemnity" of the Agreement.

Replace Section 7-1.06 "INSURANCE" with:

7-1.06 INSURANCE

7-1.06A General Insurance Requirements

County will not execute this Contract and you are not entitled to any rights, unless certificates of insurances, or other sufficient proof satisfactory to County of El Dorado Risk Management Division that the following provisions have been complied with, and these certificate(s) are filed with the County.

Without limiting your indemnification required by Article 5 "Indemnity" of the Draft Agreement, you must procure and maintain and must require any of your subcontractors to procure and maintain for the duration of the Contract, including the one-year guarantee period, insurance against claims for injuries to persons or damages to property which may arise from or in connection with the performance of the work hereunder and the results of that work by you, your agents, representatives, employees or subcontractors. Coverage must be at least as broad as:

Workers' Compensation as required by law in the State of California, with Statutory Limits, and Employer's Liability Insurance with a limit of no less than \$1,000,000 per accident for bodily injury or disease.

Commercial General Liability Insurance of not less than Four Million Dollars (\$4,000,000) aggregate limit and Two Million Dollars (\$2,000,000) combined single limit per occurrence for bodily injury and property damage, including but not limited to endorsements for the following coverage: Premises, personal injury, operations, products and completed operations, blanket contractual, and independent contractors liability. This insurance can consist of a minimum \$2 Million primary layer of CGL and the balance as an excess/umbrella layer, but only if the County is provided with written confirmation that the excess/umbrella layer "follows the form" of the CGL policy.

Automobile Liability Insurance of not less than One Million Dollars (\$1,000,000) is required in the event motor vehicles are used by the Contractor in performance of the Contract.

In the event Contractor is a licensed professional and is performing professional services under this Contract, Professional Liability Insurance is required with a limit of liability of not less than One Million Dollars (\$1,000,000).

Explosion, Collapse and Underground coverage is required when the scope of work includes XCU exposures. For the purpose of this Contract, XCU coverage is not required.

7-1.06B Proof of Insurance Requirements

Furnish proof of coverage satisfactory to the County of El Dorado Risk Management Division as evidence that the insurance required herein is being maintained. The insurance must be issued by an insurance company acceptable to the Risk Management Division, or be provided through partial or total self-insurance likewise acceptable to the Risk Management Division.

The County of El Dorado, its officers, officials, employees, and volunteers must be included as additional insureds, but only insofar as the operations under this Contract are concerned. This provision applies to all general liability and excess liability policies. Proof that the County is named additional insured must be made by providing the Risk Management Division with a certified copy, or other acceptable evidence, of an endorsement to your insurance policy naming the County additional insured.

If you cannot provide an occurrence policy, provide insurance covering claims made as a result of performance of this Contract for not less than three (3) years following completion of performance of this Contract.

Any deductibles or self-insured retentions must be declared to and approved by the County. At the option of the County, either: the insurer must reduce or eliminate such deductibles or self-insured retentions as respects the County, its officers, officials, employees and volunteers; or the Contractor must procure a bond guaranteeing payment of losses and related investigations, claim administration and defense expenses.

Require each of your subcontractors to procure and maintain commercial general liability insurance, automobile liability insurance, and workers compensation insurance of the types and in the amounts specified above, or you must insure the activities of your subcontractors in your policy in like amounts. You must also require each of your subcontractors to name you and County of El Dorado, its officers, officials, employees, and volunteers as additional insureds.

7-1.06C Insurance Notification Requirements

You agree no cancellation or material change in any policy will become effective except upon prior written notice to the Community Development Services, Contract Services Unit, 2850 Fairlane Court, Placerville, CA 95667.

You agree that the insurance required herein will be in effect at all times during the term of this Contract. If this insurance coverage expires at any time or times during the term of this Contract, you must immediately provide a new certificate of insurance as evidence of the required insurance coverage. If you fail to keep in effect at all times insurance coverage as herein provided, County may, in addition to any other remedies it may have, terminate this Contract upon the occurrence of this event. New certificates of insurance are subject to the approval of the Risk Management Division.

7-1.06D Additional Standards

Certificates must meet such additional standards as may be determined by the Department either independently or in consultation with the Risk Management Division, as essential for protection of the County.

7-1.06E Commencement of Performance

Contractor must not commence performance of this Contract unless and until compliance with every requirement of the insurance provisions is achieved.

7-1.06F Material Breach

Failure to maintain the insurance required herein, or to comply with any of the requirements of the insurance provisions, constitutes a material breach of the entire Contract.

7-1.06G Reporting Provisions

Any failure to comply with the reporting provisions of the policies must not affect coverage provided to the County, its officers, officials, employees or volunteers.

7-1.06H Primary Coverage

Your insurance coverage must be primary insurance as respects the County, its officers, officials, employees and volunteers. Any insurance or self-insurance maintained by the County, its officers, officials, employees or volunteers will be in excess of your insurance and will not contribute with it.

7-1.06I Premium Payments

The insurance companies will have no recourse against the County of El Dorado its officers, agents, employees, or any of them for payment of any premiums or assessments under any policy issued by any insurance company.

7-1.06J Contractor's Obligations

Your indemnity and other obligations are not limited by the insurance required herein and must survive the expiration of this Contract.

Add to Section 7-1.11A:

The provisions apply to all work performed on the contract including work performed by subcontract. The Form FHWA 1273 is required to be physically incorporated into each contract, subcontract and subsequent lower-tier subcontracts. The provisions may not be incorporated by reference.

The prime contractor is responsible for compliance with the requirements by all subcontractors and lower tier subcontractors. Failure of the prime contractor to comply with this requirement is grounds for local agency termination of the contract with the contractor and debarment of the contractor by the FHWA.

8 PROSECUTION AND PROGRESS

Replace item 2.1. of the list in the 3rd paragraph of Section 8-1.02B(1) with:

2.1 Contract number and CIP number

Replace item 8 of Section 8-1.02B(2) with:

Start milestone date as Notice of Award letter date

Replace the 1st and last sentences of the 1st paragraph of Section 8-1.03 with:

Attend a pre-construction conference with key personnel, including all major superintendents for the work and if requested by the Engineer, major subcontractors. The pre-construction conference will be scheduled after the project is awarded and prior to the issuance of the Notice to Proceed. At this conference, submit in writing, signed by the officers of the corporation, if applicable, the names of two employees who will be the superintendents on the project. The second name serves as an alternate in the absence of the first designee. The superintendent must be on the site at all times that work is in progress.

With the exception of preparing and obtaining Department's authorization of the Storm Water Pollution Prevention Plan (SWPPP), or Water Pollution Control Program (WPCP), whichever is applicable, and preparing and obtaining Department's acceptance of the Critical Path Method (CPM) baseline schedule, any work performed in advance of the date stated in the Notice to Proceed is at your risk and as a volunteer. Submit a completed Subcontracting Request form, Exhibit 16-B of the Caltrans Local Assistance Procedures Manual (LAPM), or equivalent and obtain approval before beginning work on a subcontract. Comply with applicable parts of Section 5-1.13B(1).

Delete "Partnering" from the table in Section 8-1.03.

Add to Section 8-1.03:

You must attend weekly meetings to discuss construction issues and scheduling.

Replace Section 8-1.04B with:

The contract working days begin on the date stated in the Notice to Proceed. The total contract working days for this project is twenty (20).

You will be allowed one full road closure for the allowable working days.

It is anticipated that the work required for this Project will require you to utilize multiple crews, work multiple shifts, and work concurrently on various contract items to complete the work within the

designated working days. Refer to Section 14-8.02 "Noise Control" and Section 12-4 "Maintaining Traffic" regarding work restrictions.

The Engineer may issue Notice to Proceed within 10 days after Contract approval.

Do not start job site activities until the Department authorizes or accepts your submittal for:

1. CPM baseline schedule
2. WPCP
3. Traffic Control Plan
4. Proposed benching and underdrain layout

You may enter the job site only to measure controlling field dimensions and locating utilities and to install PCMS signs.

Do not start other job site activities until all the submittals from the above list are authorized or accepted and the following information is received by the Engineer:

1. *Notice of Materials To Be Used.*
2. Contingency plan for reopening closures to public traffic.

Replace the 1st paragraph of Section 8-1.05 with:

Contract time starts on the day specified in Section 8-1.04B.

Contract working hours are between the hours of 7:00 a.m. to 7:00 p.m. unless otherwise authorized.

Add to the end of Section 8-1.06:

The Engineer may suspend work due to environmental permit restrictions and/or inclement weather.

During the suspension, the Department pays for winterization costs or costs associated with water pollution control within the County's project area under Section 9-1.04, as applicable. The Department pays for any other contract work required to be performed within the County's project area during the suspension under the applicable bid item.

Add to the end of Section 8-1.10B:

Liquidated damages for the road not reopening within the allowable working days are \$3,200 per day.

Replace "Reserved" in Section 8-1.10D with:

8-1.10D Director Days

If the work is not completed within the working days, the Director may grant director days if it serves the Department's best interest.

By granting director days, the Director adds working days to the Contract. The Director may either grant enough days to eliminate the liquidated damages or fewer. In the latter case, the Department deducts liquidated damages for the remaining overrun in Contract time. The Director may deduct the Department's engineering, inspection, and overhead costs incurred during the period of extension granted as director days.

Replace Section 8-1.13 “Contractor’s Control Termination” with:

Refer to Article 10 “Termination By County for Cause” of the Agreement.

Replace Section 8-1.14 “Contract Termination” with:

Refer to Article 9 “Termination By County for Convenience” of the Agreement.

^^^^^^^^^^^^^^^^^^^^^^^^^^^^^^^^^^^^^^^^^^^^^^^^^^^^^^^^^^^^^^^^^^^^^^^^^^^^^^^^^^^^^^^^

9 PAYMENT

Add to end of Section 9-1.03:

The Department pays 6 percent annual interest for the period of the retention for penalty withholds later determined not owed.

Replace the last paragraph of Section 9-1.03 with:

You and/or your subcontractors must pay subcontractors within 7 days of receipt of each progress payment unless otherwise agreed to in writing (Bus & Prof Code § 7108.5). In addition, Federal Regulation (49CFR 26.29) requires you and your subcontractors to pay subcontractors within 30 days after receipt of each payment, unless any delay or postponement of payment among the parties takes place only for good cause and with the prior written approval of the Department. Violation of this Section subjects you to the penalties, sanctions and other remedies of Bus and Prof § 7108.5. This Section must not be construed to limit or impair any contractual, administrative, or judicial remedies otherwise available to you in the event of a dispute involving late payment or nonpayment by you, deficient subcontract performance, or noncompliance by a subcontractor.

You must include in your subcontracts language providing that you and your subcontractors will use a dispute resolution process to resolve payment disputes.

Add to Section 9-1.16A:

The Engineer does not process a progress estimate without your submittal of the actual DBE payments, required DBE forms, the DBE firms paid, and the work/bid item for each DBE firm for the previous month.

Replace the last sentence of the 3rd paragraph of Section 9-1.16E(2) with:

These amounts are shown on the *Pay Estimate*.

Replace the last sentence of the 1st paragraph of Section 9-1.16E(3) with:

The documents include QC plans, required forms, schedules, traffic control plans, water pollution control submittals, and dust control submittals.

Add to the 1st paragraph of Section 9-1.16E(3):

If you fail to comply with water pollution control or dust control requirements, the Department withholds part of the progress payment.

Replace the 2nd paragraph of Section 9-1.16E(4) with:

Stop notice information may be obtained from the Engineer.

Replace Section 9-1.16F with:

9-1.16F Retentions

9-1.16F(1) General

The Department will retain 5% of the value of each progress payment (excluding mobilization payments) from each progress payment. The Department will release retention incrementally (49 CFR 26.29) as follows:

1. When 25% of the total amount bid (excluding mobilization) has been completed, the Department will release all retention withheld up to this point;
2. When 50% of the total amount bid (excluding mobilization) has been completed, the Department will release all retention withheld since the previous release;
3. When 75% of the total amount bid (excluding mobilization) has been completed, the Department will release all retention withheld since the previous release.
4. The remaining retained funds shall be retained until thirty five (35) days after recordation of the Notice of Acceptance.

Work increments deemed complete by the Engineer under this Section do not affect your other contractual obligations pertaining to that work, including the commencement of the warranty period or your obligation of maintenance and responsibility for that increment of work. Relief from maintenance and responsibility is at the discretion of the Engineer and must conform to the provisions of Section 5-1.38.

You may elect to receive one hundred percent (100%) of payments due under the Contract from time to time, without retention of any portion of the payment by the County, by depositing securities of equivalent

value with the County (Pub Cont Code 22300). Securities eligible for deposit hereunder are limited to those listed in Section 16430 of the Government Code, or bank or savings and loan certificates of deposit.

Funds retained from progress payments to ensure performance of the Contract that are eligible for payment into escrow or to an escrow agent pursuant to Section 22300 of the Public Contract Code do not include funds withheld or deducted from payment due to your failure to fulfill a contract requirement.

9-1.16F(2) Prompt Payment of Retained Funds to Subcontractors

Section 9-1.16F(1) describes retainage, acceptances, and release of retainage to you based on these acceptances. You and/or your subcontractor must return all monies withheld in retention from subcontractors within 30 days after receiving payment for work satisfactorily completed and accepted including incremental acceptances of portions of the contract work by the Department. Any delay or postponement of payment over 30 days may take place only for good cause and with the Department's prior written approval (49CFR26.29). Violation of this Section subjects you to the penalties, sanctions and other remedies of Bus and Prof § 7108.5. This Section must not be construed to limit or impair any contractual, administrative, or judicial remedies otherwise available to you in the event of a dispute involving late payment or nonpayment by you, deficient subcontract performance, or noncompliance by a subcontractor.

Replace Section 9-1.22 "ARBITRATION" with:

9-1.22 DISPUTES RESOLUTION

As permitted by Public Contract Code Section 20104, the County has elected to resolve any claims between you and the County pursuant to Article 7.1 (commencing with Section 10240) of Chapter 1 of Part 2 of the Public Contract Code. Sections 5-1.43 and 9-1.17 describe the contract claim procedure. The provisions of these Sections constitute a non-judicial claim settlement procedure, and also step one of a two-step claim presentment procedure by agreement under Section 930.2 of the California Government Code. Specifically, step one is compliance with the contract claim procedure in accordance with the Contract Documents, including Sections 5-1.43 and 9-1.17. Step two is the filing of a timely Government Code Section 910 et seq. claim in accordance with the California Government Code. Any such claim shall affirmatively indicate your prior compliance with the contract claim procedure and previous dispositions under Sections 5-1.43 and 9-1.17. Any claim that fails to conform to the contract claim procedure required in step one may not be asserted in any subsequent Government Code Section 910 et seq. claim.

As a condition precedent to arbitration or litigation, claims must first be mediated. Mediation is non-binding and the services of a mediator mutually acceptable to the parties must be used and, if the parties cannot agree, a mediator will be selected by the American Arbitration Association from its panel of approved mediators trained in construction industry mediation. All statutes of limitations shall be tolled from the date of the demand for mediation until a date two weeks following the mediation's conclusion. The cost of mediation shall be equally shared by the parties.

Your attention is directed to California Public Contract Code section 9204, which describes procedures for the resolution of claims on public works projects. Among other things, section 9204 requires the claimant to furnish reasonable documentation to support a claim, requires the public entity to respond to the claim within 45 days of receipt of the claim, and allows for the claimant to demand an informal meet and confer conference for settlement of the issues in dispute. For any portion of a claim that remains in dispute, section 9204 requires submission of the claim to nonbinding mediation. Additionally, section 9204

requires the public entity to make any payment due on an undisputed portion of the claim within 60 days of the public entity's written response and to pay interest at the rate of 7 percent per annum on any amounts not paid in a timely manner. The claims procedures described within the Contract Documents (including, but not limited to, Sections 5-1.43 and 9-1.17 of the Standard Specifications) are in addition to the procedures required by section 9204 and, in the event of a conflict between those various procedures, the more stringent procedures will control.

If you fail to comply with these claim procedures as to any claim, then you waive your rights to this claim. County must not be deemed to waive or alter any provision of this Section or Sections 5-1.43 and 9-1.17 if, at County's sole discretion, County administers a claim in a manner not in accord with those provisions.

AAAAAAAAAAAAAAAAAAAAAAAAAAAAAAAAAAAAAAAAAAAAAAAAAAAAAAAAAAAAAAAAAAAAAAAA

DIVISION II GENERAL CONSTRUCTION

10 GENERAL

Replace "Reserved" in Section 10-1.02A with:

Once construction activities are to ready commence, including obtaining an authorized Traffic Control Plan and after all closure and detour signs are in place for the Project, then Road may be fully closed through the project limits for the duration of construction activities as shown on the contract plans.

Refer to Section 12-4.02C(3)(b) of these Special Provisions for detailed road closure information.

Refer to Section 8-1.10B for the assessment of Liquidated Damages if the road is not reopened within the allowable working days.

Add Section 10-1.02F:

10-1.02F Pre-Construction Drainage Patterns

During construction maintain adequate drainage such that pre-construction drainage patterns are not compromised. The Engineer determines pre-construction drainage patterns.

Add to Section 10-4:

Contractor is advised to conserve water. Contractor is advised the State has issued water conservation requirements. Contractor is responsible for contacting the local water authorities to determine any impacts the water conservation measures will have on various items of work.

Payment for any water conservation plan is included in the payment for various items of work.

Add to Section 10-6:

You must contact El Dorado Irrigation District (EID) at 530-622-4054 as to the availability of water sources for the Project work.

The County has obtained an Encroachment Permit for placement of portable changeable message signs at the locations shown on the Contract Plans. A copy of the City of Placerville encroachment permit is included in Appendix C of these Contract Documents for your use.

Refer to Section 12-3.20A(1) of these Special Provisions.

Refer to Section 5-1.20A of these Special Provisions.

Replace “Reserved” in Section 12-3.32(A)(2) of the RSS dated 04-15-16 with:

Sign Working Day (SWD): unit of measure for payment for PCMS – per sign per each day used.

Replace “Reserved” in Section 12-3.32A(4) of the RSS dated 04-15-16 with:

Approaching drivers must be able to read the entire message at least 2 times before passing the portable changeable message sign at the posted speed limit. Use more than 1 portable changeable message sign to comply with this requirement if necessary.

Add to Section 12-3.32C of the RSS dated 04-15-16:

Place and operate PCMS for one (1) week in advance of any construction activities, to inform the public of upcoming contract work and related delays.

The Engineer will request PCMS signs be placed, after award and before Notice to Proceed.

Place PCMSs at the locations shown or as directed by the Engineer and in advance of the 1st warning sign for each:

1. Stationary lane closure
2. Road closure
3. Shoulder closure
4. Speed reduction zone

Start displaying the message on the sign when directed by the Engineer.

Replace Section 12-3.32D of the RSS dated 04-15-16 with:

PCMS is measured in SWD. Portable changeable message signs at the project site but not in use will not be paid for.

Add to Section 12-4.01A(1):

Have necessary materials and equipment on site to remove trees, remove and replace culvert before detouring traffic.

Add between the 1st and 2nd paragraphs of Section 12-4.02A(3)(c):

Submit a contingency plan for each of the following activities:

1. Activity requiring a complete closure and detour.
2. HMA paving

Replace “Reserved” in Section 12-4.02C(3)(b) with:

You may completely close Airport Road at Post Mile 0.31 in each direction of travel at time as shown on Chart No. 1, Section 12-4.02C(3)(l) of these Special Provisions for the allowable working days.

Replace “Reserved” in Section 12-4.02C(3)(l) with:

Comply with the requirements for the complete closure on a conventional highway shown in the following chart:

Chart No. 1

Complete Conventional Highway Closure Hours

County: El Dorado

Route/Direction: Northbound
and Southbound Airport Road

Post Mile:0.31

Closure limits: About 1,200 linear feet of road may be closed on AIRPORT Road.

Hour	24	1	2	3	4	5	6	7	8	9	10	11	12	13	14	15	16	17	18	19	20	21	22	23	24
Mon– Thu	C	C	C	C	C	C	C	C	C	C	C	C	C	C	C	C	C	C	C	C	C	C	C	C	C
Fri	C	C	C	C	C	C	C	C	C	C	C	C	C	C	C	C	C	C	C	C	C	C	C	C	C
Sat	C	C	C	C	C	C	C	C	C	C	C	C	C	C	C	C	C	C	C	C	C	C	C	C	C
Sun	C	C	C	C	C	C	C	C	C	C	C	C	C	C	C	C	C	C	C	C	C	C	C	C	C

Legend:

C Conventional highway may be closed completely.

No complete conventional highway closure is allowed.

REMARKS: See Section 8-1.05 of these Special Provisions for allowable working hours. See Detour Plans within contract documents. Detour signs must be in place prior to implementing closure. You may only implement full road closure for the allowable Contract working days.

Replace the 2nd paragraph of Section 13-2.01A with:

Prepare water pollution control program includes developing, amending, and implementing the WPCP, providing a WPC Manager, conducting WPC training, and installing, monitoring, inspecting, reporting on, maintaining, and removing and disposing of WPC practices at the job site.

Add to Section 13-2.01A:

Your Water Quality Monitoring Program must include timelines for proposed clearing and grubbing and debris removal and tree removal.

Replace the 1st sentence of the 1st paragraph of Section 13-2.01C with:

Within three (3) days after the date of the Notice of Award letter submit 3 copies of the WPCP and allow one weekday (1) days for the Engineer's review. If revisions are required, the Engineer provides comments and specifies the date that the review stopped.

Replace the 3rd paragraph of Section 13-2.01C with:

Change and resubmit the WPCP within two (2) days of receipt of the Engineer's comments. The Engineer's review resumes when the complete WPCP is resubmitted.

Replace "3" in the 4th paragraph of section 13-2.01C with "4".

Add to section 13-2.01C:

The Engineer will not postpone issuance of the Notice to Proceed if your WPCP submittal fails to meet the contract requirements requiring multiple submittals and reviews of your WPCP.

Add to Section 13-2.03:

If the Engineer determines that resources sufficient to bring you into compliance with Section 13 have not been allocated, the Engineer may redirect any of your resources available at the project site toward this effort. If the Engineer redirects resources due to your non-compliance with the provisions of Section 13, the County will not be responsible for any delays to your schedule resulting from the reallocation, and no compensation will be made for these delays. Install water pollution control (WPC) practices for erosion control and sediment control for areas under active construction. Limit active construction areas to the following as applicable:

1. By September 1 disturbed areas must not exceed the lesser of 50% of the total amount of area to be disturbed for the project or 10 acres
2. By September 15 disturbed areas must not exceed the lesser of 25% of the total amount of area to be disturbed for the project or 5 acres

3. By October 1 disturbed areas must not exceed the lesser of 10% of the total amount of area to be disturbed for the project or 2 acres
4. By October 15 disturbed areas must not exceed the lesser of 5% of the total amount of area to be disturbed for the project or 1 acres

During fall and winter do not exceed the specified amount of disturbance unless weather conditions permit and you request in writing and receive a waiver from the Engineer. Include in your request a contingency plan should weather conditions change.

Replace “upon Contract acceptance” in item 2 of Section 13-2.04 with:

in the Proposed Final Pay Estimate.

Add to the 4th paragraph of Section 13-4.03B(1):

The WPC manager must notify the Engineer immediately.

Add to the 3rd paragraph of Section 13-4.03F:

3. 8 hours of predicted rain

Add to Section 13-4.03G:

The Geotechnical Engineering Study indicates that for dry-season construction, significant seepage is not expected to be encountered and nuisance water is expected to be controlled by sump pumping.

Replace “Not Used” in Section 13-4.04 with:

Payment for dewatering to provide a dry working area is paid for under Job Site Management.

Delete the 1st sentence of Section 13-5.04 and replace the 2nd paragraph of Section 13-5.04 with:

The Department pays for temporary soil stabilization for stockpiles under Job Site Management. The Department pays for temporary soil stabilization for other than stockpiles under Section 9-1.04 excluding travel and subsistence allowances paid to workers.

Replace Section 13-6.04 with:

The Department pays for temporary sediment control under Job Site Management.

Replace Section 13-7.03D with:

The Department pays for temporary tracking control under Job Site Management.

Replace Section 13-9.04 with:

The Department pays for temporary concrete washouts under Job Site Management.

Replace Section 13-10.04 with:

The Department pays for temporary linear sediment barriers for stockpiles under Job Site Management.

The Department pays for temporary linear sediment barriers for other than stockpiles under Section 9-1.04 excluding travel and subsistence allowances paid to workers.

^^^^^^^^^^^^^^^^^^^^^^^^^^^^^^^^^^^^^^^^^^^^^^^^^^^^^^^^^^^^^^^^^^^^^^^^^^^^

14 ENVIRONMENTAL STEWARDSHIP

Replace Section 14-8.02 with:

The work is located in a Rural Region with Rural Residential land use designation.
The following table specifies the maximum allowable noise exposure for work within the community types and land use designations listed above.

MAXIMUM ALLOWABLE NOISE EXPOSURE FOR NONTRANSPORTATION NOISE SOURCES IN RURAL REGIONS–CONSTRUCTION NOISE			
Land Use Designation	Time Period	Noise Level (dB)	
		L_{eq}	L_{max}
All Residential (LDR)	7 am–7 pm	50	60
	7 pm–10 pm	45	55
	10 pm–7 am	40	50
Commercial, Recreation, and Public Facilities (C, TR, PF)	7 am–7 pm	65	75
	7 pm–7 am	60	70
Rural Land, Natural Resources, Open Space, and Agricultural Lands (RR, NR, OS, AL)	7 am–7 pm	65	75
	7 pm–7 am	60	70

The noise level requirements apply to the equipment on the job or related to the job measured at the affected building facade, including trucks, transit mixers or transient equipment that you may or may not own. Avoid the use of loud sound signals in favor of light warnings except those required by safety laws for the protection of personnel.

In the interest of the public safety and/or public convenience, the allowable noise levels may be waived.

Implement appropriate additional noise mitigation measures, including changing the location of stationary construction equipment, shutting off idling equipment, rescheduling your activity, notifying adjacent residents in advance of construction work, and installing acoustic barriers around stationary construction noise sources such that noise from construction does not exceed the limits specified above. If the existing background noise levels exceed the values above, then the limit for construction noise may be increased from the background noise level by the same percentage that the background noise level exceeds the values above.

Replace Section 14-9.02 with:

Comply with applicable State and County Air Quality Management District (AQMD) rules and regulations regarding reduction of construction related impacts on air quality, including the implementation of the following measures:

1. Use low-emission onsite mobile construction equipment.
2. Maintain equipment in tune per manufacturer's specifications.
3. Retard diesel engine injection timing by two to four degrees unless not recommended by manufacturer (due to lower emission output in-place).
 - a. Use reformulated low-emission diesel fuel.
 - b. Substitute electric and gasoline-powered equipment for diesel-powered equipment where feasible.
 - c. Use catalytic converters on gasoline-powered equipment.
 - d. Do not leave inactive construction equipment idling for prolonged periods (i.e., more than 2 minutes).
 - e. Support and encourage ridesharing and transit for the construction workers.
 - f. All construction vehicles and equipment shall be fitted with working mufflers.

Replace "RESERVED" in Section 14-9.04 with:

14-9.04 DUST CONTROL

14-9.04A GENERAL

14-9.04A(1) Summary

Section 14-9.04 includes specifications relating to dust control.

Comply with Rules 223, 223-1, and 223-2 (Dust Rules) of the Rules and Regulations of the El Dorado County Air Quality Management District (AQMD).

The Dust Rules can be obtained from the AQMD, 330 Fair Lane, Placerville, CA, 95667, (530) 621-6662, and are available at AQMD's website.

The materials within the project limits are neither known nor suspected to contain naturally occurring asbestos and the project is not located within designated Naturally Occurring Asbestos Review Areas on the current El Dorado County Naturally Occurring Asbestos Review Area Map.

14-9.04A(2) Submittals

AQMD's finding that pursuant to Rule 223 Exemptions section 223.1B, A Fugitive Dust Plan is not required for this emergency project.

Perform dust control by meeting the requirements of Rule 223-2 of the El Dorado County AQMD .

The AQMD dust rules can be found on AQMD's website at:

http://www.edcgov.us/Government/AirQualityManagement/Pages/Construction_Dust_Rules.aspx.

Provide all notices to the AQMD and create and maintain all records as required by Dust Rules. Copies of all related records must be submitted to the Engineer within thirty (30) calendar days of completion of the work.

14-9.04B Materials

Not used.

14-9.04C Construction

Implement measures to control dust.

Control dust using measures that include the following:

1. Stabilize unpaved areas subject to vehicular traffic by keeping adequately wetted or covered with material that contains less than 0.25 percent asbestos.
2. The speed of vehicles and equipment traveling across unpaved areas must not be more than 15 mph unless the road surface and surrounding area is sufficiently stabilized to prevent vehicles and equipment going faster from causing dust that is visible from crossing job site limits.
3. Stockpiles and disturbed areas not subject to vehicular traffic must be stabilized by being kept adequately wetted or covered with plastic sheeting, bonded fiber matrix, erosion control blanket or other WPC measures approved by the Engineer.
4. Conduct activities so that no dirt or mud tracking is visible on any paved roadway open to the public.
5. Use rock track out pads and wheel wash stations at all points of egress from unpaved construction areas.
6. Use a dedicated water truck for each piece of earthmoving equipment (e.g., scrapers, dozers, excavators, loaders, haul trucks, backhoes, compactors, graders, etc),
7. Pre-wet excavations to depths of cuts.

Dust control measures that will be required to mitigate dust may impact your productivity during construction activities.

Replace Section 14-9.04D with:

14-9.04D PAYMENT

The Department does not pay for impacts to your productivity from mitigating dust from your activities.

Airport Road Storm Damage Repair Project
PW No. 18-31120, CIP No 78717
May 15, 2018

County of El Dorado
Special Provisions
SP-44

If naturally occurring asbestos is found within the project limits, then you must modify your dust control measures per AQMD rules for asbestos dust mitigation. Implementation of Asbestos Dust Mitigation is change order work.

Payment for performing dust control, and maintaining and submitting dust control records is paid under payment of various items of work that produce dust.

Replace Section 14-10.02 with:

14-10.02 SOLID WASTE DISPOSAL AND RECYCLING REPORT

Submit a final solid waste disposal and recycling report (CEM-4401) upon completion of the work and prior to acceptance of the Proposed Final Estimate. Show the types and amounts of project-generated solid waste including organic waste taken to or diverted from landfills or reused in the Project.

See also Section 5-1.36D of these Special Provisions.

AAAAAAAAAAAAAAAAAAAAAAAAAAAAAAAAAAAAAAAAAAAAAAAAAAAAAAAAAAAAAAAAAAAAAAAA

DIVISION III EARTHWORK AND LANDSCAPE

17 GENERAL

Add to Section 17-2.01:

Removing standing/live less than 6-inch in diameter at breast height (dbh) will be paid for as clearing and grubbing.

Removing fallen trees less and removing of slide debris material will be paid for as debris removal.

Removing tree stumps as directed by the Engineer will be paid for as clearing and grubbing.

Notify the Engineer at least two (2) working days before performing any clearing and grubbing.

Add to Section 17-2.03A:

Clear and grub vegetation only within the excavation and embankment slope lines.

You must not cut or damage any standing or live vegetation with a trunk of four (4) inch diameter or greater of unless the trees have been marked for removal by the Engineer.

Replace the 1st paragraphs of section 17-2.03B with:

Clear all construction areas above original ground of (1) all organic laden materials such as trees, bushes, root balls, root systems, logs, upturned stumps, roots of downed trees, brush, weeds and any soft or loose soil generated by the removal operations, (2) removal of any loose or saturated material

within the proposed structural improvement area and (3) other objectionable material including concrete, masonry, and debris.

Refer to Section 17-3, Tree Removal of these Special Provisions.

The Engineer must be present during site clearing operation to identify the location and depth of potential fills, to observe removal of deleterious materials, and to identify any existing site conditions which may require mitigation or further recommendations prior to site development.

Replace Section 17-2.04 Payment with:

Payment for clearing and grubbing, including standing/live tree removal for trees less than 6-inch diameter at breast height, is paid for under Clearing and Grubbing

Payment for removing tree stumps is paid for under Clearing and Grubbing.

See Section 17-3 -Tree Removal

Replace "Reserved" in Section 17-3 with:

17-3 TREE REMOVAL

17-3.01 General

Removing standing or live trees equal to or greater than 6-inch in diameter at breast height (dbh) will be paid for as price per each for Tree Removal .

Removing fallen trees within the grading area will be paid for as lump sum price for Debris Removal.

Remove trees with 6 -inch diameter at breast height (dbh) or greater within roadway excavation, structure excavation and pipe excavation limits.

Refer to Section 5-1.36D, *Nonhighway Facilities*, of these Special Provisions for protecting two existing trees in place, which serve as Utility Poles.

17-3.02 Materials

Not Used

17-1.03 Construction

Remove trees with 6-inch diameter at breast height (dbh) or greater, where the trunk is within the roadway excavation, structure excavation or pipe excavation limits. If tree trunk lies outside the excavation limits, then trim roots and limbs only and at the direction of the Engineer.

Disturbance or removal of vegetation must not exceed the minimum necessary to complete operations. Except for the trees specially identified for removal, no native trees with a trunk diameter at breast height (DBH) in excess of six (6) inches shall be removed or damaged without prior consultation and approval from the Engineer. Using hand tools (clippers, chainsaw, etc.), trees may be trimmed to the extent necessary to gain access to the work sites. All cleared material/vegetation and trees must be removed from County right of way.

17-3.04 Payment

Payment for "Tree Removal" and "Debris Removal" includes removing all cleared material/ vegetation and trees and disposing outside of County right-of-way.

^^^^^^^^^^^^^^^^^^^^^^^^^^^^^^^^^^^^^^^^^^^^^^^^^^^^^^^^^^^^^^^^^^^^^^^^^^^^^^^^^^^^^^^^

19 EARTHWORK

Add to Section 19-1.03B:

Removal of fallen trees and debris, as shown on contract plans, must be considered unsuitable material.

Replace "Not Used" in Section 19-1.04 with:

If removal of unsuitable material is described, removing unsuitable material is paid for as the type of excavation involved.

If removal of a buried man-made object is described, payment for removing the object encountered in an excavation is included in the type of excavation involved.

If removal of a buried man-made object is not described, payment for removing a buried man-made object is included in the type of excavation involved, unless before removal activities, (1) removing the object is ordered as change order work or (2) you request the removal to be change order work.

Add to Section 19-2.01A:

Some unsuitable fat clays and elastic silts can be anticipated to be encountered and must be segregated and removed from the Project site.

Replace the 2nd paragraph in Section 19-2.01A Summary with:

Roadway excavation consists of all excavation involved in the grading and constructing of the roadway including re-grading the embankment after tree and debris removal and construction of benches and keyway in embankment.

Replace item 4 of the list in the 3rd paragraph of Section 19-2.01A with:

- 4. Performing the removal of a slide or slipout.

Add to section 19-2.03A:

Following general site clearing, all loose/soft soils resulting from the slope failure be over excavated down to firm native materials. Any depressions extending below final grade resulting from the removal of loose/soft materials or other deleterious materials must be properly prepared and backfilled with engineered fill.

Add between the 8th and 9th paragraphs of section 19-2.03G:

Roughen embankment slopes to receive erosion control materials by either track-walking or rolling with a sheeps-foot roller. Track-walk slopes by running track-mounted equipment perpendicular to the slope contours.

Roughen excavation slopes and flat surfaces to receive erosion control materials by scarifying to a depth of six (6) inches.

Add to Section 19-2.04:

The Department does not pay for an excavation in excess of the limits shown or authorized.

The payment quantity for roadway excavation includes removal of the existing road base and surfacing, compacting native material between edge of pavement and original ground hinge point and re-grading the embankment after tree removal and debris removal and construction of benches and keyway in embankment.

Removal of unsuitable or man-made objects are included in Roadway Excavation.

Replace "Reserved" in Section 19-3.01C(1) with:

Submit shop drawings, which must include:

1. Construction sequence plan
2. Excavation and shoring plans, details and calculations
3. Rock fall containment system plans, details and calculations, if deemed necessary by the Contractor or Engineer

Shop drawings and calculations must be sealed and signed by an engineer who is registered as a civil engineer in the State.

Allow 5 days for review.

Replace "Reserved" in Section 19-4 with:

19-4.01 GENERAL

19-4.01A Summary

You are advised that hard non-rippable rock exists that may require alternative excavation techniques, including the use of hydraulic rock breaking equipment, coring (for drilling operations), and/or chemical splitting agents.

Refer to the Draft Geotechnical Engineering Study provided as supplemental information to the Contract Documents. The conclusions and recommendations contained within the reports are based on limited study areas and may not be representative of the conditions you may encounter outside of the specific

area of study. You are advised that in areas throughout the project site, hard, non-rippable rock exists that may require alternative excavation techniques, including the use of hydraulic rock breaking equipment, coring (for drilling operations), and/or chemical splitting agents.

You may use hydraulic splitters, pneumatic hammers, or other authorized roadway excavation techniques to fracture rock and construct stable final rock cut faces. Blasting is not allowed.

Comply with section 12.

19-4.04 PAYMENT

Payment for rock excavation is included in the payment for the bid item that necessitates the rock excavation.

Replace the 1st paragraph of section 19-6.02A with:

Any imported borrow or material used as fill, should be approved by the engineer and meet the requirements of this section. The fill should be free of root mat material, organic and deleterious matter, and large pieces of cemented soils. In addition, some blending of soils and removal of debris may be required to achieve a uniform soil consistency. Laboratory testing should be performed as part of a quality program for any materials used as fill in the compacted embankment.

Replace the 3rd paragraph of section 19-6.03A with:

Scarify to a minimum depth of 8 inches, water, grade and roll existing surfaces prior to placing new material in embankment areas. Prior to placing fill, the exposed subgrades should be in a firm and unyielding state and inspected by the Engineer. Any localized zones of soft or pumping soils observed within a subgrade must either be scarified and recompacted or be over excavated and replaced with engineered fill.

The optimum moisture content and maximum wet density for each soil type shall be determined in accordance with ASTM 1557. Not less than 90 percent of the maximum wet density (based on ASTM 1557) shall be obtained for imported borrow materials used within the embankment. The material shall be either moistened or dried (depending on actual moisture content) and thoroughly mixed. Mixing must be performed by reprocessing to the full depth of the lift and compacted to achieve the minimum compaction requirement. Where new fill is to be placed onto existing fill slopes or natural slopes exceeding 5H:1V, fully bond into the existing slope by lacing on discrete horizontal benches cut fully into the slope and below any loose/soft or otherwise unsuitable materials.

Add to section 19-7.02C:

Imported borrow must comply with the requirements shown in the following tables and below:

Gradation Requirements

Sieve Size	Test Method	Requirement (Percent Passing)
6"	California Test 202	100
2"	California Test 202	90-100
No. 200	California Test 202	0-70

Quality Characteristic Requirements

Quality Characteristic	Test Method	Requirement
Plasticity Index (Max)	California Test 204	15

Expansive soils (Expansion Index \geq 50 and Sand Equivalent \leq 20) shall not be placed within the 8 feet from the face of the embankment slope.

Add to Section 19-7.04:

The Department does not pay for imported borrow that is not used in the work.

The Department does not pay for disposal of surplus imported borrow.

Delete the 3rd paragraph of Section 19-9.02.

21 EROSION CONTROL

Add to Section 21-2.02F:

Comply with Section 21, "Erosion Control," of the Standard Specifications.

If notified by the Engineer that an area is ready to receive erosion control materials, start Hydroseed work within one (1) business days of the Engineer's notification to perform the work.

Seed for upland areas must comply with the following:

Seed

Botanical Name (Common Name)	Percent Germination (Minimum)	Pounds Pure Live Seed Per Acre (Slope Measurement)
Eschscholzia californica (California Poppy)	70	5
TRIFOLIUM WILLDENOVII (T. Tridentatum) Tomcat Clover	90	6
MELICA CALIFORNICA (California Melic)	80	6
LEYMUS TRITICOIDES (Creeping Wildrye)	90	15
Lupinus Tanus (Sky Lupine)	75	16
	Total	48

Seed source must originate from Sacramento Valley and Sierra Foothills regions.

Delete section 39 of the RSS dated 07-15-16.

Replace section 39 with:

39-1 GENERAL

39-1.01 GENERAL

39-1.01A Summary

Section 39-1 includes general specifications for producing and placing HMA by mixing aggregate and asphalt binder at a mixing plant and spreading and compacting the HMA mixture.

You will place compacted HMA in each section of roadway that has been cold planed and HMA Type A to the depths shown on the plans for the pavement areas to be trenched.

Produce and place HMA Type A under the Method construction process.

Use a Department Job Mix Formula that meets the contract specification requirements or a Job Mix Formula that has been previously approved by the Department within the last 12 months and also meets the contract specification requirements.

Section 39-1 includes general specifications for producing and placing HMA by mixing aggregate and asphalt binder at a mixing plant and spreading and compacting the HMA mixture.

39-1.01B Definitions

binder replacement: Amount of RAP binder in OBC in percent.

coarse aggregate: Aggregate retained on a no. 4 sieve.

fine aggregate: Aggregate passing the no. 4 sieve.

processed RAP: RAP that has been fractionated.

substitution rate: Amount of RAP aggregate substituted for virgin aggregate in percent.

supplemental fine aggregate: Aggregate passing the no. 30 sieve, including hydrated lime, portland cement, and fines from dust collectors.

surface course: Upper 0.2 feet of HMA exclusive of OGFC.

39-1.02 MATERIALS

39-1.02A Geosynthetic Pavement Interlayer

Not Used

39-1.02B Tack Coat

Tack coat must comply with the specifications for asphaltic emulsion or asphalts. Choose the type and grade. You must submit the type and grade to the County for review and approval prior to use.

You may not dilute asphaltic emulsion with water.

39-1.02C Asphalt Binder

Asphalt binder in HMA must comply with Caltrans' Certification Program for Suppliers of Asphalt. Program requirements, procedures, and a list of authorized material sources are online at the Caltrans Materials Engineering and Testing Services website:

<http://www.dot.ca.gov/hq/esc/Translab>.

Asphalt binder used in HMA Type A must be PG 64-16.

It must comply with the requirements in the table in Section 92-1.02B of the Caltrans Standard Specifications.

39-1.02D Asphalt Rubber Binder

Not Used

39-1.02E Aggregate

Aggregate must be clean and free from deleterious substances.

The specified aggregate gradation must be determined before the addition of asphalt binder and includes supplemental fine aggregate.

The Department tests for aggregate grading under California Test 202, modified by California Test 105 if there is a difference in specific gravity of 0.2 or more between the coarse and fine parts of different aggregate blends.

Choose sieve size TV within each TV limit presented in the aggregate gradation tables.

Aggregate used in HMA Type A must comply with 1/2-inch HMA Type A gradation.

39-1.02E(1) HMA Type A

The proposed aggregate gradation must be within the TV limits for the specified sieve sizes shown in the following tables:

**Aggregate Gradation
(Percentage Passing)
HMA Types A**

1/2-inch HMA Types A and B

Sieve sizes	TV limits	Allowable tolerance
3/4"	100	—
1/2"	95–99	TV ± 6
3/8"	75–95	TV ± 6
No. 4	55–66	TV ± 7
No. 8	38–49	TV ± 5
No. 30	15–27	TV ± 4
No. 200	2.0–8.0	TV ± 2

39-1.02E(2) RHMA-G

Not Used

39-1.02E(3) OGFC

Not Used

39-1.02E(4) Aggregate Lime Treatment

Before the addition of asphalt binder and lime treatment, aggregate must have the values for the quality characteristics shown in the following table:

Quality characteristic	Test Method	HMA Type A
Percent of crushed particles Coarse aggregate (% min.) One fractured face	California Test 205	90
Two fractured faces		75
Fine aggregate (% min) (Passing no. 4 sieve and retained on no. 8 sieve.) One fractured face		70
Los Angeles Rattler (% max.) Loss at 100 rev.	California Test 211	12
Loss at 500 rev.		45
Sand equivalent (min.) ^a	California Test 217	47
Fine aggregate angularity (% min.) ^b	California Test 234	45
Flat and elongated particles (% max. by weight @ 5:1)	California Test 235	10

39-1.02F Reclaimed Asphalt Pavement

39-1.02F(1) General

You may produce HMA Type A using RAP. HMA produced using RAP must comply with the specifications for HMA, except aggregate quality specifications do not apply to RAP. You may substitute RAP at a substitution rate not exceeding 15 percent of the aggregate blend.

Assign the substitution rate of RAP aggregate for virgin aggregate with the JMF submittal. The JMF must include the percent of RAP used.

Provide enough space for meeting RAP handling requirements at your facility. Provide a clean, graded, well-drained area for stockpiles. Prevent material contamination and segregation.

If RAP is from multiple sources, blend the RAP thoroughly and completely. RAP stockpiles must be homogeneous.

Isolate the processed RAP stockpiles from other materials. Store processed RAP in conical or longitudinal stockpiles. Processed RAP must not be agglomerated or be allowed to congeal in large stockpiles.

39-1.02F(2) Substitution Rate of 15 Percent or Less

For a RAP substitution rate of 15 percent or less, you may stockpile RAP during the entire project.

39-1.03 HOT MIX ASPHALT MIX DESIGN REQUIREMENTS

39-1.03A General

The mix design process consists of performing California Test 367 and laboratory procedures on combinations of aggregate gradations and asphalt binder contents to determine the OBC and HMA mixture qualities. The results become the proposed JMF.

Use the *Contractor Hot Mix Asphalt Design Data* form to record aggregate quality and mix design data. Use the *Contractor Job Mix Formula Proposal* form to present the JMF.

Laboratories testing aggregate qualities and preparing the mix design and JMF must be qualified under the Department's Independent Assurance Program. Take samples under California Test 125.

The Engineer reviews the aggregate qualities, mix design, and JMF and verifies and authorizes the JMF.

You may change the JMF during production. Do not use the changed JMF until it is authorized. Except if adjusting the JMF as specified in section 39-1.03C, perform a new mix design and submit a new JMF submittal if you change any of the following:

1. Target asphalt binder percentage
2. Asphalt binder supplier
3. Asphalt rubber binder supplier
4. Component materials used in asphalt rubber binder or percentage of any component materials
5. Combined aggregate gradation
6. Aggregate sources
7. Substitution rate by more than 5 percent if your assigned RAP substitution rate is 15 percent or less
8. Average binder content by more than 2 percent from the average binder content of the original processed RAP stockpile used in the mix design
9. Maximum specific gravity of processed RAP by more than ± 0.060 from the average maximum specific gravity of processed RAP reported on page 4 of your *Contractor Hot Mix Asphalt Design Data* form
10. Any material in the JMF

For OGFC, submit a complete JMF submittal, except for asphalt binder content. The Department determines the asphalt binder content under California Test 368 within 20 days of your complete JMF submittal and provides you a *Caltrans Hot Mix Asphalt Verification* form.

39-1.03B Hot Mix Asphalt Mix Design

Perform a mix design that produces HMA with the values for the quality characteristics shown in the following table:

Quality Characteristics	Test Method	HMA Type A
Air void content (%)	California Test 367	4.0
Voids in mineral aggregate (% min.) No. 4 grading 3/8" grading 1/2" grading 3/4" grading	California Test 367	17.0 15.0 14.0 13.0
Voids filled with asphalt (%) No. 4 grading 3/8" grading 1/2" grading 3/4" grading	California Test 367	65.0–75.0 65.0–75.0 65.0–75.0 65.0–75.0
Dust proportion No. 4 and 3/8" gradings 1/2" and 3/4" gradings	California Test 367	0.6–1.2 0.6–1.2
Stabilometer value (min.) No. 4 and 3/8" gradings 1/2" and 3/4" gradings	California Test 366	30 37

The maximum allowable RAP binder replacement is 15 percent.

39-1.03C Job Mix Formula Submittal

Use a Department verified Job Mix formula that meets the contract specification requirements or a Job Mix Formula that has been previously approved by the Department within the last 12 months and also meets the contract specification requirements.

Each JMF submittal must consist of:

1. Proposed JMF on a *Contractor Job Mix Formula Proposal* form
2. Mix design records on a *Contractor Hot Mix Asphalt Design Data* form dated within 12 months of submittal
3. JMF verification on a *Caltrans Hot Mix Asphalt Verification* form, if applicable
4. JMF renewal on a *Caltrans Job Mix Formula Renewal* form, if applicable
5. MSDS for the following:
 - 5.1. *Asphalt binder*
 - 5.2. *Base asphalt binder used in asphalt rubber binder*
 - 5.3. *CRM and asphalt modifier used in asphalt rubber binder*
 - 5.4. *Blended asphalt rubber binder mixture*
 - 5.5. *Supplemental fine aggregate except fines from dust collectors*
 - 5.6. *Antistrip additives*

If the Engineer requests, sample the following materials in the presence of the Engineer and place in labeled containers weighing no more than 50 lb each:

1. **Aggregates:** Coarse, fine, and supplemental fine aggregate from stockpiles, cold feed belts, or hot bins. Samples must be at least 120 lb for each coarse aggregate, 80 lb for each fine aggregate, and 10 lb for each type of supplemental fine aggregate. For hot-bin samples, the Department combines these aggregate samples to comply with the JMF TVs submitted on a *Contractor Job Mix Formula Proposal* form.
2. **RAP:** RAP from stockpiles or RAP system. Samples must be at least 60 lb.
3. **Asphalt Binder:** Take at least two 1 qt samples from binder supplier. Each sample must be in cylindrical-shaped cans with open top and friction lids.
4. **Plant-produced HMA.** The HMA samples must be at least 250 lb.

Notify the Engineer at least 2 business days before sampling materials. For aggregate and RAP, split the samples into at least 4 parts. Submit 3 parts to the Engineer and use 1 part for your testing.

39-1.03D Job Mix Formula Review

The County reviews each mix design and proposed JMF within 5 business days from the complete JMF submittal. The review consists of reviewing the mix design procedures and comparing the proposed JMF with the specifications.

The County may verify aggregate quality characteristics during this review period.

39-1.03E Job Mix Formula Verification

Submit a Department-verified JMF on a *Caltrans Hot Mix Asphalt Verification* form dated within 12 months before HMA production.

Use the OBC specified on your *Contractor Hot Mix Asphalt Design Data* form. No adjustments to asphalt binder content are allowed. Based on your testing and production experience, you may submit an adjusted aggregate gradation TV on a *Contractor Job Mix Formula Proposal* form before verification testing. Aggregate gradation TV must be within the TV limits specified in the aggregate gradation tables.

Asphalt binder set point for HMA must be the OBC specified on your *Contractor Hot Mix Asphalt Design Data* form.

When RAP is used, asphalt binder set point for HMA must be:

$$\text{Asphalt Binder Set Point} = \frac{\frac{BC_{OBC}}{\left(1 - \frac{BC_{OBC}}{100}\right)} - R_{RAP} \left[\frac{BC_{RAP}}{\left(1 - \frac{BC_{RAP}}{100}\right)} \right]}{100 + \frac{BC_{OBC}}{\left(1 - \frac{BC_{OBC}}{100}\right)}}$$

Where:

BC_{OBC} = optimum asphalt binder content, percent based on total weight of mix
 R_{RAP} = RAP ratio by weight of aggregate
 BC_{RAP} = asphalt binder content of RAP, percent based on total weight of RAP mix

In the Engineer's presence and from the same production run, take samples of:

1. Aggregate
2. Asphalt binder
3. RAP
4. HMA

Sample aggregate from cold feed belts or hot bins. Sample RAP from the RAP system. Sample HMA under California Test 125, except if you request and if authorized, you may sample from any of the following locations:

1. Plant
2. Truck
3. Windrow
4. Paver hopper
5. Mat behind the paver

For aggregate, RAP, and HMA, split the samples into at least 4 parts and label their containers. Submit 3 split parts and keep 1 part for your testing.

39-1.03F Job Mix Formula Renewal

Not Used.

39-1.03G Job Mix Formula Modification

Not Used.

39-1.03H Job Mix Formula Acceptance

You may start HMA production if:

1. The Engineer's review of the JMF shows compliance with the specifications.
2. The Department has verified the JMF within 12 months before HMA production.
3. The Engineer accepts the verified JMF.

39-1.04 CONTRACTOR QUALITY CONTROL

39-1.04A General

Establish, maintain, and change a quality control system to ensure materials and work comply with the specifications. Submit quality control test results within 3 business days of a request, except if the QC/QA construction process is specified.

You must identify the HMA sampling location in your QC plan. During production, take samples under California Test 125. You may sample HMA from:

1. Plant
2. Truck
3. Windrow
4. Paver hopper
5. Mat behind the paver

39-1.04B Prepaving Conference

Hold a prepaving conference with the Engineer at a mutually agreed time and place. Discuss methods of performing the production and paving work.

39-1.04C Asphalt Rubber Binder

Not Used

39-1.04D Aggregate

Determine the aggregate moisture content and RAP moisture content in continuous mixing plants at least twice a day during production and adjust the plant controller. Determine the RAP moisture content in batch mixing plants at least twice a day during production and adjust the plant controller.

39-1.04E Reclaimed Asphalt Pavement

Perform RAP quality control testing each day.

For RAP substitution rate of 15 percent or less, sample RAP once daily.

Perform QC testing for processed RAP aggregate gradation under California Test 367, appendix B, and submit the results with the combined aggregate gradation.

39-1.04F Density Cores

Not Used

39-1.05 ACCEPTANCE CRITERIA

HMA acceptance is specified in the sections for each HMA construction process.

The County samples materials for testing under California Test 125 and the applicable test method, except samples may be taken:

1. At the plant from a truck or an automatic sampling device
2. From the mat behind the paver

Sampling must be independent of Contractor quality control, statistically based, and random.

If you request, the Department splits samples and provides you with a part.

HMA acceptance is based on:

1. Authorized JMF

2. Compliance with the HMA acceptance tables
3. Visual inspection

39-1.06 DISPUTE RESOLUTION

Work with the Engineer to avoid potential conflicts and to resolve disputes regarding test result discrepancies. Notify the Engineer within 5 business days of receiving a test result if you dispute the test result.

If you or the Engineer dispute each other's test results, submit quality control test results and copies of paperwork including worksheets used to determine the disputed test results. An independent third party performs referee testing. Before the independent third party participates in a dispute resolution, the party must be accredited under the Department's Independent Assurance Program. The independent third party must be independent of the project. By mutual agreement, the independent third party is chosen from:

1. Department laboratory
2. Department laboratory in a district or region not in the district or region the project is located
3. Transportation Laboratory
4. Laboratory not currently employed by you or your HMA producer

If split quality control or acceptance samples are not available, the independent third party uses any available material representing the disputed HMA for evaluation.

39-1.07 PRODUCTION START-UP EVALUATION

The Engineer evaluates HMA production and placement at production start-up.

Within the first 750 tons produced on the 1st day of HMA production, in the Engineer's presence and from the same production run, take samples of:

1. Aggregate
2. Asphalt binder
3. RAP
4. HMA

Sample aggregate from cold feed belts or hot bins. Take RAP samples from the RAP system. Sample HMA under California Test 125, except if you request and if authorized, you may sample HMA from any of the following locations:

1. Plant
2. Truck
3. Windrow
4. Paver hopper
5. Mat behind the paver

For aggregate, RAP, and HMA, split the samples into at least 4 parts and label their containers. Submit 3 split parts and keep 1 part.

39-1.08 PRODUCTION

39-1.08A General

Produce HMA in a batch mixing plant or a continuous mixing plant. Proportion aggregate by hot or cold feed control.

HMA plants must be Department qualified. Before production, the HMA plant must have current qualification under the Department's Materials Plant Quality Program.

During production, you may adjust hot or cold feed proportion controls for virgin aggregate and RAP.

During production, asphalt binder set point for HMA Type A must be the OBC shown in Contractor Hot Mix Asphalt Design Data form. For OGFC, asphalt binder set point must be the OBC shown on Caltrans Hot Mix Asphalt Verification form. If RAP is used, asphalt binder set point for HMA must be calculated as specified in section 39-1.03E.

For RAP substitution rate of 15 percent or less, you may adjust the RAP by -5 percent.

You must request adjustments to the plant asphalt binder set point based on new RAP stockpiles average asphalt binder content. Do not adjust the HMA plant asphalt binder set point until authorized.

39-1.08B Mixing

Mix HMA ingredients into a homogeneous mixture of coated aggregates.

Asphalt binder must be from 275 to 375 degrees F when mixed with aggregate.

Asphalt rubber binder must be from 350 to 425 degrees F when mixed with aggregate.

When mixed with asphalt binder, aggregate must not be more than 325 degrees F, except aggregate for OGFC must be not more than 275 degrees F. These aggregate temperature specifications do not apply if you use RAP.

HMA with or without RAP must not be more than 325 degrees F.

39-1.08C Asphalt Rubber Binder

Not Used

39-1.09 SUBGRADE AND TACK COAT

39-1.09A General

Prepare subgrade or apply tack coat to surfaces receiving HMA.

39-1.09B Subgrade

Subgrade to receive HMA must comply with the compaction and elevation tolerance specifications in the sections for the material involved. Subgrade must be free of loose and extraneous material. If HMA is

paved on existing base or pavement, remove loose paving particles, dirt, and other extraneous material by any means including flushing and sweeping.

39-1.09C Tack Coat

Apply tack coat:

1. To existing pavement, including planed surfaces
2. Between HMA layers
3. To vertical surfaces of:
 - 3.1. Curbs
 - 3.2. Gutters
 - 3.3. Construction joints

Before placing HMA, apply tack coat in 1 application. The application rate must be the minimum residual rate specified for the underlying surface conditions shown in the following tables:

Tack Coat Application Rates for HMA Type A, Type B, and RHMA-G

HMA overlay over:	Minimum residual rates (gal/sq yd)		
	CSS1/CSS1h, SS1/SS1h and QS1h/CQS1h asphaltic emulsion	CRS1/CRS2, RS1/RS2 and QS1/CQS1 asphaltic emulsion	Asphalt binder and PMRS2/PMCRS2 and PMRS2h/PMCRS2h asphaltic emulsion
New HMA (between layers)	0.02	0.03	0.02
PCC and existing HMA (AC) surfaces	0.03	0.04	0.03
Planed PCC and HMA (AC) surfaces	0.05	0.06	0.04

For vertical surfaces, apply a residual tack coat rate that will thoroughly coat the vertical face without running off.

If you request and if authorized, you may:

1. Change tack coat rates
2. Omit tack coat between layers of new HMA during the same work shift if:
 - 2.1. No dust, dirt, or extraneous material is present
 - 2.2. Surface is at least 140 degrees F

Immediately in advance of placing HMA, apply additional tack coat to damaged areas or where loose or extraneous material is removed.

Close areas receiving tack coat to traffic. Do not track tack coat onto pavement surfaces beyond the job site.

Asphalt binder tack coat must be from 285 to 350 degrees F when applied.

39-1.10 SPREADING AND COMPACTING EQUIPMENT

Paving equipment for spreading must be:

1. Self-propelled
2. Mechanical
3. Equipped with a screed or strike-off assembly that can distribute HMA the full width of a traffic lane
4. Equipped with a full-width compacting device
5. Equipped with automatic screed controls and sensing devices that control the thickness, longitudinal grade, and transverse screed slope

Install and maintain grade and slope references.

The screed must produce a uniform HMA surface texture without tearing, shoving, or gouging.

The paver must not leave marks such as ridges and indentations, unless you can eliminate them by rolling.

Rollers must be equipped with a system that prevents HMA from sticking to the wheels. You may use a parting agent that does not damage the HMA or impede the bonding of layers.

In areas inaccessible to spreading and compacting equipment:

1. Spread the HMA by any means to obtain the specified lines, grades, and cross sections.
2. Use a pneumatic tamper, plate compactor, or equivalent to achieve thorough compaction.

39-1.11 CONSTRUCTION

39-1.11A General

Do not pave HMA on wet pavement or a frozen surface.

You may deposit HMA in a windrow and load it in the paver if:

1. Paver is equipped with a hopper that automatically feeds the screed
2. Loading equipment can pick up the windrowed material and deposit it in the paver hopper without damaging base material
3. Activities for deposit, pickup, loading, and paving are continuous
4. HMA temperature in the windrow does not fall below 260 degrees F

You may place HMA in 1 or more layers on areas less than 5 feet wide and outside the traveled way, including shoulders. You may use mechanical equipment other than a paver for these areas. The equipment must produce uniform smoothness and texture.

HMA handled, spread, or windrowed must not stain the finished surface of any improvement, including pavement.

Do not use petroleum products such as kerosene or diesel fuel to release HMA from trucks, spreaders, or compactors.

HMA must be free of:

1. Segregation
2. Coarse or fine aggregate pockets
3. Hardened lumps

Place additional HMA along the pavement's edge to conform to paved private roads and drives. Hand rake, if necessary, and compact the additional HMA to form a smooth conform taper.

39-1.11B Longitudinal Joints

39-1.11B(1) General

Longitudinal joints in the top layer must match specified lane edges. Alternate the longitudinal joint offsets in the lower layers at least 0.5 foot from each side of the specified lane edges. You may request other longitudinal joint placement patterns.

A vertical longitudinal joint of more than 0.15-feet is not allowed at any time between adjacent lanes open to traffic.

Place HMA on adjacent traveled way lanes so that at the end of each work shift the distance between the ends of HMA layers on adjacent lanes is from 5 to 10 feet. Place additional HMA along the transverse edge at each lane's end and along the exposed longitudinal edges between adjacent lanes. Hand rake and compact the additional HMA to form temporary conforms. You may place Kraft paper or another authorized bond breaker under the conform tapers to facilitate the taper removal when paving operations resume.

39-1.11B(2) Tapered Notched Wedge

Not Used

39-1.11C Widening Existing Pavement

If widening existing pavement, construct new pavement structure to match the elevation of the existing pavement's edge before placing HMA over the existing pavement.

39-1.11D Shoulders, Medians, and Other Road Connections

Until the adjoining through lane's top layer has been paved, do not pave the top layer of:

1. Shoulders
2. Tapers
3. Transitions
4. Road connections
5. Driveways
6. Curve widenings
7. Chain control lanes
8. Turnouts
9. Turn pockets

If the number of lanes changes, pave each through lane's top layer before paving a tapering lane's top layer. Simultaneous to paving a through lane's top layer, you may pave an adjoining area's top layer, including shoulders. Do not operate spreading equipment on any area's top layer until completing final compaction.

Pave shoulders and median borders adjacent to the lane before opening a lane to traffic.

39-1.11E Leveling

If leveling with HMA is specified, fill and level irregularities and ruts with HMA before spreading HMA over the base, existing surfaces, or bridge decks. You may use mechanical equipment other than a paver for these areas. The equipment must produce uniform smoothness and texture. HMA used to change an existing surface's cross slope or profile is not paid for as HMA (leveling).

If placing HMA against the edge of existing pavement, sawcut or grind the pavement straight and vertical along the joint and remove extraneous material.

39-1.11F Compaction

Rolling must leave the completed surface compacted and smooth without tearing, cracking, or shoving. Complete finish rolling activities before the pavement surface temperature is:

1. Below 150 degrees F for HMA with unmodified binder
2. Below 140 degrees F for HMA with modified binder
3. Below 200 degrees F for RHMA-G

If a vibratory roller is used as a finish roller, turn the vibrator off.

Spread and compact HMA under sections 39-3.03 and 39-3.04 if any of the following applies:

1. Specified paved thickness is less than 0.15 foot.
2. Specified paved thickness is less than 0.20 foot and 3/4-inch aggregate grading is specified and used.
3. You spread and compact at:
 - 3.1. Asphalt concrete surfacing replacement areas
 - 3.2. Leveling courses
 - 3.3. Areas for which the Engineer determines conventional compaction and compaction measurement methods are impeded

Do not open new HMA pavement to public traffic until its mid-depth temperature is below 160 degrees F.

39-1.12 SMOOTHNESS

39-1.12A General

Determine HMA smoothness with a profilograph and a straightedge.

39-1.12B Straightedge

The top layer of HMA pavement must not vary from the lower edge of a 12-foot straightedge:

1. More than 0.01 foot when the straightedge is laid parallel with the centerline
2. More than 0.02 foot when the straightedge is laid perpendicular to the centerline and extends from edge to edge of a traffic lane
3. More than 0.02 foot when the straightedge is laid within 24 feet of a pavement conform

39-1.12C Smoothness Correction

If the top layer of HMA Type A pavement does not comply with the smoothness specifications, grind the pavement to within specified tolerances, remove and replace it, or place an overlay of HMA. Do not start corrective work until your choice of methods is authorized.

Measure the corrected HMA pavement surface with a 12-foot straightedge and correct the pavement to within specified tolerances. If a must-grind area or straightedge pavement cannot be corrected to within specified tolerances, remove and replace the pavement.

On areas ground but not overlaid with OGFC, apply fog seal coat under section 37-2.

39-1.13 HOT MIX ASPHALT ON BRIDGE DECKS

Not Used.

39-1.14 MISCELLANEOUS AREAS AND DIKES

The following specifications in section 39 do not apply to miscellaneous areas and dikes:

1. HMA construction process
2. HMA mix design requirements
3. Contractor quality control
4. Production start-up evaluation

Miscellaneous areas are outside the traveled way and include:

1. Median areas not including inside shoulders
2. Island areas
3. Sidewalks
4. Gutters
5. Gutter flares
6. Ditches
7. Overside drains
8. Aprons at the ends of drainage structures

Spread miscellaneous areas in 1 layer and compact to the specified lines and grades.

For miscellaneous areas and dikes:

1. Do not submit a JMF.
2. Choose the 3/8-inch or 1/2-inch HMA Type A and Type B aggregate gradations.
3. Minimum asphalt binder content must be 6.8 percent for 3/8-inch aggregate and 6.0 percent for 1/2-inch aggregate. If you request and if authorized, you may reduce the minimum asphalt binder content.
4. Choose asphalt binder Grade PG 64-16 or the same grade specified for HMA.

39-1.15 MINOR HOT MIX ASPHALT

39-1.15A General

39-1.15A(1) Summary

Section 39-1.15 includes specifications for producing and placing minor hot mix asphalt.

Minor HMA must comply with section 39-1.01 except as specified in this section 39-1.15.

The inertial profiler requirements in section 36-3 do not apply.

39-1.15A(2) Definitions

Reserved

39-1.15A(3) Submittals

Not Used.

39-1.15A(4) Quality Assurance

39-1.15A(4)(a) General

Test pavement smoothness with a 12 foot straightedge.

39-1.15A(4)(b) Quality Control

Testing for compliance with the following quality characteristics is not required:

1. Flat and elongated particles
2. Fine aggregate angularity
3. Hamburg wheel track
4. Moisture susceptibility

39-1.15A(4)(c) Department Acceptance

The Department accepts minor HMA under section 39-1.15A(4)(c) except for compliance with requirements for the following quality characteristics:

1. Flat and elongated particles
2. Fine aggregate angularity
3. Hamburg wheel track
4. Moisture susceptibility

39-1.15B Materials

39-1.15B(1) General

Reserved

39-1.15B(2) Minor Hot Mix Asphalt Mix Design

The Hamburg wheel track and moisture susceptibility requirements do not apply to the mix design for minor HMA.

39-1.15B(3) Asphalt Binder

The grade of asphalt binder for minor HMA must be PG-64-16.

39-1.15B(4) Liquid Antistrip Treatment

Treat minor HMA with liquid antistrip unless you submit AASHTO T 283 and AASHTO T 324 (Modified) test results showing compliance with section 39-1.02 and dated within 12 months of the submittal.

39-1.15C Construction

Not Used

39-1.15D Payment

Not Used

39-1.16 RUMBLE STRIPS

Reserved

39-1.17 DATA CORES

Reserved

39-1.18 HOT MIX ASPHALT AGGREGATE LIME TREATMENT—DRY LIME METHOD

Reserved

39-1.19 HOT MIX ASPHALT AGGREGATE LIME TREATMENT—SLURRY METHOD

Reserved

39-1.20 LIQUID ANTISTRIP TREATMENT

Reserved

39-1.21 REPLACE ASPHALT CONCRETE SURFACING

Reserved

39-1.22 LIQUID ASPHALT PRIME COAT

Reserved

39-1.23 HOT MIX ASPHALT TYPE C

Reserved

39-1.24 BONDED WEARING COURSE—GAP GRADED

Reserved

39-1.25 RUBBERIZED BONDED WEARING COURSE—GAP GRADED

Reserved

39-1.26 RUBBERIZED BONDED WEARING COURSE—OPEN GRADED

Reserved

39-1.27 BONDED WEARING COURSE—OPEN GRADED

Reserved

39-1.28 ROADSIDE PAVING

Reserved

39-1.29 SOIL TREATMENT

Reserved

39-1.30 EDGE TREATMENT, HOT MIX ASPHALT PAVEMENT

Not Used.

39-2 STANDARD CONSTRUCTION PROCESS

Not Used

39-3 METHOD CONSTRUCTION PROCESS

39-3.01 GENERAL

Airport Road Storm Damage Repair Project
PW No. 18-31120, CIP No 78717
May 15, 2018

County of El Dorado
Special Provisions
SP-71

Section 39-3 includes specifications for HMA produced and constructed under the Method construction process.

39-3.02 ACCEPTANCE CRITERIA

39-3.02A Testing

The Department samples for acceptance testing and tests for the quality characteristics shown in the following table:

HMA Acceptance—Method Construction Process

Quality characteristic	Test method	HMA type			
		A	B	RHMA-G	OGFC
Aggregate gradation ^a	California Test 202	JMF ± tolerance ^b	JMF ± tolerance ^b	JMF ± tolerance ^b	JMF ± tolerance ^b
Sand equivalent (min) ^c	California Test 217	47	42	47	--
Asphalt binder content (%)	California Test 379 or 382	JMF±0.40	JMF±0.40	JMF ± 0.40	JMF ± 0.40
HMA moisture content (% max)	California Test 226 or 370	1.0	1.0	1.0	1.0
Stabilometer value (min) ^c No. 4 and 3/8" gradings 1/2" and 3/4" gradings	California Test 366	30 37	30 35	-- 23	-- --
Percent of crushed particles Coarse aggregate (% min) One fractured face Two fractured faces Fine aggregate (% min) (Passing no. 4 sieve and retained on no. 8 sieve.) One fractured face	California Test 205	90 75 70	25 -- 20	-- 90 70	90 75 90
Los Angeles Rattler (% max) Loss at 100 rev. Loss at 500 rev.	California Test 211	12 45	-- 50	12 40	12 40
Air void content (%) ^{c, d}	California Test 367	4 ± 2	4 ± 2	TV ± 2	--
Fine aggregate angularity (% min) ^e	California Test 234	45	45	45	--
Flat and elongated particles (% max by weight @ 5:1)	California Test 235	Report only	Report only	Report only	Report only
Voids filled with asphalt (%) ^f No. 4 grading 3/8" grading 1/2" grading 3/4" grading	California Test 367	65.0–75.0 65.0–75.0 65.0–75.0 65.0–75.0	65.0–75.0 65.0–75.0 65.0–75.0 65.0–75.0	Report only	--
Voids in mineral aggregate (% min) ^f No. 4 grading 3/8" grading 1/2" grading 3/4" grading	California Test 367	17.0 15.0 14.0 13.0	17.0 15.0 14.0 13.0	-- -- 18.0–23.0 18.0–23.0	--
Dust proportion [†] No. 4 and 3/8" gradings 1/2" and 3/4" gradings	California Test 367	0.6–1.2 0.6–1.2	0.6–1.2 0.6–1.2	Report only	--

Moisture susceptibility (minimum dry strength, psi) ^g	California Test 371	120	120	--	--
Moisture susceptibility (tensile strength ration, %) ^g	California Test 371	70	70	--	--
Smoothness	Section 39-1.12	12-foot straight-edge and must-grind	12-foot straight-edge and must-grind	12-foot straight-edge and must-grind	12-foot straight-edge and must-grind
Asphalt binder	Various	Section 92	Section 92	Section 92	Section 92
Asphalt rubber binder	Various	--	--	Section 92-1.01D(2) and section 39-1.02D	Section 92-1.01D(2) and section 39-1.02D
Asphalt modifier	Various	--	--	Section 39-1.02D	Section 39-1.02D
CRM	Various	--	--	Section 39-1.02D	Section 39-1.02D

^a The Engineer determines combined aggregate gradations containing RAP under California Test 367.

^b The tolerances must comply with the allowable tolerances in section 39-1.02E.

^c The Engineer reports the average of 3 tests from a single split sample.

^d The Engineer determines the bulk specific gravity of each lab-compacted briquette under California Test 308, Method A, and theoretical maximum specific gravity under California Test 309.

^e The Engineer waives this specification if HMA contains 10 percent or less of non-manufactured sand by weight of total aggregate. Manufactured sand is fine aggregate produced by crushing rock or gravel.

^f Report only.

^g Applies to RAP substitution rate greater than 15 percent.

No single test result may represent more than 750 tons or 1 day's production, whichever is less.

For any single quality characteristic except smoothness, if 2 consecutive acceptance test results do not comply with the specifications:

1. Stop production.
2. Take corrective action.
3. Take samples and split each sample into 4 parts in the Engineer's presence. Test 1 part for compliance with the specifications and submit 3 parts to the Engineer. The Department tests 1 part for compliance with the specifications and reserves and stores 2 parts.
4. Demonstrate compliance with the specifications before resuming production and placement.

39-3.03 SPREADING AND COMPACTING EQUIPMENT

Each paver spreading HMA Type A must be followed by 3 rollers as follows:

1. One vibratory roller specifically designed to compact HMA. The roller must be capable of at least 2,500 vibrations per minute and must be equipped with amplitude and frequency controls. The roller's gross static weight must be at least 7.5 tons.

2. One oscillating type pneumatic-tired roller at least 4 feet wide. Pneumatic tires must be of equal size, diameter, type, and ply. The tires must be inflated to 60 psi minimum and maintained so that the air pressure does not vary more than 5 psi.
3. One steel-tired, 2-axle tandem roller. The roller's gross static weight must be at least 7.5 tons.

Each roller must have a separate operator. Rollers must be self-propelled and reversible.

39-3.04 TRANSPORTING, SPREADING, AND COMPACTING

Pave HMA in maximum 0.25-foot thick and minimum 0.15-foot thick compacted layers.

If the surface to be paved is both in sunlight and shade, pavement surface temperatures must be taken in the shade.

Spread HMA Type A at the atmospheric and surface temperatures shown in the following table:

Minimum Atmospheric and Surface Temperatures

Compacted layer thickness, feet	Atmospheric, °F		Surface, °F	
	Unmodified asphalt binder	Modified asphalt binder ^a	Unmodified asphalt binder	Modified asphalt binder ^a
	< 0.15	55	50	60
0.15–0.25	45	45	50	50

^a Except asphalt rubber binder.

If the asphalt binder for HMA Type A is unmodified asphalt binder, complete:

1. First coverage of breakdown compaction before the surface temperature drops below 250 degrees F
2. Breakdown and intermediate compaction before the surface temperature drops below 200 degrees F
3. Finish compaction before the surface temperature drops below 150 degrees F

If the asphalt binder for HMA Type A is modified asphalt binder, complete:

1. First coverage of breakdown compaction before the surface temperature drops below 240 degrees F
2. Breakdown and intermediate compaction before the surface temperature drops below 180 degrees F
3. Finish compaction before the surface temperature drops below 140 degrees F

HMA compaction coverage is the number of passes needed to cover the paving width. A pass is 1 roller's movement parallel to the paving in either direction. Overlapping passes are part of the coverage being made and are not a subsequent coverage. Do not start a coverage until completing the prior coverage.

Start rolling at the lower edge and progress toward the highest part.

Perform breakdown compaction of each layer of HMA Type A with 3 coverages using a vibratory roller. The speed of the vibratory roller in miles per hour must not exceed the vibrations per minute divided by 1,000. If the thickness of the HMA layer is less than 0.08 foot, turn the vibrator off. The Engineer may order fewer coverages if the thickness of the HMA layer is less than 0.15 foot.

Perform intermediate compaction of each layer of HMA Type A with 3 coverages using a pneumatic-tired roller at a speed not exceeding 5 mph.

Perform finish compaction of HMA Type A with 1 coverage using a steel-tired roller.

Add to Section 39-3.04C(1):

Cold Plane existing asphalt surface as shown on the contract plans and as directed by the Engineer.

39-4 QUALITY CONTROL/QUALITY ASSURANCE CONSTRUCTION PROCESS

Not Used

39-5 EXISTING ASPHALT CONCRETE

39-5.01 GENERAL

39-5.01A General

Section 39-5.01 includes general specifications for performing work on existing asphalt concrete facilities.

Work performed on existing asphalt concrete facilities must comply with section 15.

39-5.01B Materials

Not Used

39-5.01C Construction

Before removing a portion of an asphalt concrete facility, make a 2-inch deep saw cut to a true line along the limits of the removal area.

39-5.01D Payment

Not Used

39-5.02 REPLACE ASPHALT CONCRETE SURFACING

39-5.02A General

Section 39-5.02 includes specifications for replacing asphalt concrete surfacing.

39-5.02B Materials

HMA to be used for replacing asphalt concrete surfacing must comply with Type A HMA as specified in sections 39-1.02E(1) and 39-1.03.

The grade of asphalt binder must be PG 64-16.

Tack coat must comply with section 39-1.09C.

39-5.02C Construction

Where replace asphalt concrete surfacing is shown, remove the full depth of the existing asphalt concrete surfacing and replace with HMA. The Engineer determines the exact limits of asphalt concrete surfacing to be replaced.

Replace asphalt concrete in a lane before the lane is specified to be opened to traffic.

Before removing asphalt concrete, outline the replacement area and cut neat lines with a saw or grind to full depth of the existing asphalt concrete. Do not damage asphalt concrete and base remaining in place.

If you excavate the base beyond the specified plane, replace it with HMA.

Do not use a material transfer vehicle for replacing asphalt concrete surfacing.

Before placing HMA, apply a tack coat as specified in section 39-1.09C.

Place HMA using method compaction as specified in section 39-3.

39-5.02D Payment

The payment quantity for replace asphalt concrete surfacing is the volume determined from the dimensions shown.

39-5.03 REMOVE ASPHALT CONCRETE DIKES

Not Used

39-5.04 COLD PLANING ASPHALT CONCRETE PAVEMENT

39-5.04A General

Section 39-5.04 includes specifications for cold planning asphalt concrete pavement.

You will cold plane 0.17-feet of existing asphalt concrete surfacing in each section shown on the contract plans.

Cold planning asphalt concrete pavement includes the removal of pavement markers, traffic stripes, and pavement markings within the area of cold planning.

Submit a cold planning work plan. The work plan must include construction methods and address protecting the existing utility box structure shown in the plans.

39-5.04B Materials

HMA for temporary tapers must be of the same quality that is used for the HMA overlay or comply with the specifications for minor HMA in section 39-1.15.

39-5.04C Construction

39-5.04C(1) General

Before removing a portion of an asphalt concrete facility, make a 2-inch deep saw cut to a true line along the limits of the removal area.

Do not use a heating device to soften the pavement.

The cold planing machine must be:

1. Equipped with a cutter head width that matches the planing width unless a wider cutter head is authorized.
2. Equipped with automatic controls for the longitudinal grade and transverse slope of the cutter head and:
 - 2.1. If a ski device is used, it must be at least 30 feet long, rigid, and a 1-piece unit. The entire length must be used in activating the sensor.
 - 2.2. If referencing from existing pavement, the cold planing machine must be controlled by a self-contained grade reference system. The system must be used at or near the centerline of the roadway. On the adjacent pass with the cold planing machine, a joint-matching shoe may be used.
3. Equipped to effectively control dust generated by the planing operation

4. Operated such that no fumes or smoke is produced.

Replace broken, missing, or worn machine teeth.

If you do not complete placing the HMA surfacing before opening the area to traffic, you must:

1. Construct a temporary HMA taper to the level of the existing pavement.
2. Place HMA during the next work shift.
3. Submit a corrective action plan that shows you will complete cold planing and placement of HMA in the same work shift. Do not restart cold planing activities until the corrective action plan is authorized.

39-5.04C(2) Grade Control and Surface Smoothness

Install and maintain grade and transverse slope references.

The final cut must result in a neat and uniform surface.

The completed surface of the planed pavement must not vary more than 0.02 foot when measured with a 12-foot straightedge parallel with the centerline. With the straightedge at right angles to the centerline, the transverse slope of the planed surface must not vary more than 0.03 foot.

Where lanes are open to traffic, the drop-off of between adjacent lanes must not be more than 0.15 foot.

39-5.04C(3) Planed Material

Remove cold planed material concurrently with planing activities such that the removal does not lag more than 50 feet behind the planer.

39-5.04C(4) Temporary HMA Tapers

If a drop-off between the existing pavement and the planed area at transverse joints cannot be avoided before opening to traffic, construct a temporary HMA taper. The HMA temporary taper must be:

1. Placed to the level of the existing pavement and tapered on a slope of 30:1 (horizontal:vertical) or flatter to the level of the planed area
2. Compacted by any method that will produce a smooth riding surface

Completely remove temporary tapers before placing permanent surfacing.

39-5.04D Payment

Not Used

39-5.05 REMOVE BASE AND SURFACING

39-5.05A General

Section 39-5.05 includes specifications for removing base and asphalt concrete surfacing.

39-5.05B Materials

Not Used

39-5.05C Construction

Where base and surfacing are described to be removed, remove base and surfacing to a depth of at least 6 inches below the grade of the existing surfacing. Backfill resulting holes and depressions with embankment material under section 19.

Add to the 1st paragraph of section 64-2.04:

4. Underdrain cleanout riser will be paid as 6" Non-Perforated Plastic Pipe Underdrain (cleanout riser).

^^^^^^^^^^^^^^^^^^^^^^^^^^^^^^^^^^^^^^^^^^^^^^^^^^^^^^^^^^^^^^^^^^^^

68 SUBSURFACE DRAINS

Replace the 1st paragraph of section 68-2.02A with:

Plastic pipe shall be perforated smooth-wall PVC plastic pipe (schedule 40).

Replace paragraph 3 of section 68-2.02F(1) with:

Use Class 2 permeable material for underdrains.

Replace the 1st paragraph of section 68-2.04 with:

The payment quantity for pipe underdrain is the length measured parallel with the slope line and includes permeable material and filter fabric. The payment quantity includes the length measured along the centerline of elbows, outlets and risers and the length of wyees, tees, and other branches to the point of intersection.

^^^^^^^^^^^^^^^^^^^^^^^^^^^^^^^^^^^^^^^^^^^^^^^^^^^^^^^^^^^^^^^^^^^^

DIVISION VIII MISCELLANEOUS CONSTRUCTION

72 SLOPE PROTECTION

Add to Section 72-2.03B:

Bottom of rock slope protection key must extend a minimum of 3 feet into competent residual soil or decomposed rock and the bottom of key sloped a minimum of 1% into slope. Minimum key width of 10 foot into slope.

Place rock slope protection fabric prior to placement of rock slope protection to provide filtration.

Place ¼ ton rock slope protection per Method A ensuring three-point contact on all stones.

Finished rock fill embankment face must be no steeper than 1.5H:1V.

^^^^^^^^^^^^^^^^^^^^^^^^^^^^^^^^^^^^^^^^^^^^^^^^^^^^^^^^^^^^^^^^^^^^

DIVISION XI MATERIALS

96 GEOSYNTHETICS

Add to section 96-1.02B:

Filter fabric for underdrains must be Class C.

Replace “Not Used” in Section 96-1.04 with:

Refer to Section 68-2.04 of these Special Provisions.

THIS PAGE INTENTIONALLY LEFT BLANK.

Airport Road Storm Damage Repair Project
Contract No. PW 18-31120, CIP No 78717

APPENDIX A

REVISED STANDARD SPECIFICATIONS

THIS PAGE INTENTIONALLY LEFT BLANK.

ancestry, physical disability, mental disability, medical condition, genetic information, marital status, sex, gender, gender identity, gender expression, age, sexual orientation, or military and veteran status, nor shall they discriminate unlawfully against any employee or applicant for employment because of race, religious creed, color, national origin, ancestry, physical disability, mental disability, medical condition, genetic information, marital status, sex, gender, gender identity, gender expression, age, sexual orientation, or military and veteran status. Contractor shall insure that the evaluation and treatment of employees and applicants for employment are free of such discrimination.

2. Contractor shall comply with the provisions of the Fair Employment and Housing Act (Gov. Code, § 12900 et seq.), the regulations promulgated thereunder (Cal. Code Regs., tit. 2, § 11000 et seq.), the provisions of Article 9.5, Chapter 1, Part 1, Division 3, Title 2 of the Government Code (Gov. Code, §§ 11135-11139.5), and the regulations or standards adopted by the awarding state agency to implement such article.
3. Contractor or recipient shall permit access by representatives of the Department of Fair Employment and Housing and the awarding state agency upon reasonable notice at any time during the normal business hours, but in no case less than 24 hours' notice, to such of its books, records, accounts, and all other sources of information and its facilities as said Department or Agency shall require to ascertain compliance with this clause.
4. Recipient, contractor and its subcontractors shall give written notice of their obligations under this clause to labor organizations with which they have a collective bargaining or other agreement.
5. The contractor shall include the nondiscrimination and compliance provisions of this clause in all subcontracts to perform work under the contract.

Under 2 CA Code of Regs § 11122:

STANDARD CALIFORNIA NONDISCRIMINATION CONSTRUCTION CONTRACT SPECIFICATIONS (GOV. CODE SECTION 12990)

These specifications are applicable to all state contractors and subcontractors having a construction contract or subcontract of \$5,000 or more.

1. As used in the specifications:
 - a. "Act" means the Fair Employment and Housing Act.
 - b. "Administrator" means Administrator, Office of Compliance Programs, California Department of Fair Employment and Housing, or any person to whom the Administrator delegates authority;
2. Whenever the contractor or any subcontractor subcontracts a portion of the work, it shall include in each subcontract of \$5,000 or more the nondiscrimination clause in this contract directly or through incorporation by reference. Any subcontract for work involving a construction trade shall also include the Standard California Construction Contract Specifications, either directly or through incorporation by reference.
3. The contractor shall implement the specific nondiscrimination standards provided in paragraphs 6(a) through (e) of these specifications.
4. Neither the provisions of any collective bargaining agreement, nor the failure by a union with whom the contractor has a collective bargaining agreement, to refer members of any group protected by the Act shall excuse the contractor's obligations under these specifications, Government Code section 12990, or the regulations promulgated pursuant thereto.5. In order for the nonworking training hours of apprentices and trainees to be counted, such apprentices and trainees must be employed by the contractor during the training period, and the contractor must have made a commitment to employ the apprentices and trainees at the completion of their training, subject to the availability of employment opportunities. Trainees must be trained pursuant to training programs approved by the U.S. Department of Labor or the California Department of Industrial Relations.
5. In order for the nonworking training hours of apprentices and trainees to be counted, such apprentices and trainees must be employed by the contractor during the training period, and the contractor must have made a commitment to employ the apprentices and trainees at the completion of their training, subject to the availability of employment opportunities. Trainees must be trained

pursuant to training programs approved by the U.S. Department of Labor or the California Department of Industrial Relations.

6. The contractor shall take specific actions to implement its nondiscrimination program. The evaluation of the contractor's compliance with these specifications shall be based upon its effort to achieve maximum results from its actions. The contractor must be able to demonstrate fully its efforts under steps a. through e. below:
 - a. Ensure and maintain a working environment free of harassment, intimidation, and coercion at all sites, and at all facilities at which the contractor's employees are assigned to work. The contractor shall specifically ensure that all foremen, superintendents, and other on-site supervisory personnel are aware of and carry out the contractor's obligations to maintain such a working environment.
 - b. Provide written notification within seven days to the director of the DFEH when the referral process of the union or unions with which the contractor has a collective bargaining agreement has impeded the contractor's efforts to meet its obligations.
 - c. Disseminate the contractor's equal employment opportunity policy by providing notice of the policy to unions and training, recruitment and outreach programs and requesting their cooperation in assisting the contractor to meet its obligations; and by posting the company policy on bulletin boards accessible to all employees at each location where construction work is performed.
 - d. Ensure all personnel making management and employment decisions regarding hiring, assignment, layoff, termination, conditions of work, training, rates of pay or other employment decisions, including all supervisory personnel, superintendents, general foremen, on-site foremen, etc., are aware of the contractor's equal employment opportunity policy and obligations, and discharge their responsibilities accordingly.
 - e. Ensure that seniority practices, job classifications, work assignments, and other personnel practices, do not have a discriminatory effect by continually monitoring all personnel and employment related activities to ensure that the equal employment opportunity policy and the contractor's obligations under these specifications are being carried out.
7. Contractors are encouraged to participate in voluntary associations that assist in fulfilling their equal employment opportunity obligations. The efforts of a contractor association, joint contractor-union, contractor-community, or other similar group of which the contractor is a member and participant, may be asserted as fulfilling any one or more of its obligations under these specifications provided that the contractor actively participates in the group, makes every effort to assure that the group has a positive impact on equal employment opportunity in the industry, ensures that the concrete benefits of the program are reflected in the contractor's workforce participation, and can provide access to documentation that demonstrates the effectiveness of actions taken on behalf of the contractor. The obligation to comply, however, is the contractor's.
8. The contractor is required to provide equal employment opportunity for all persons. Consequently, the contractor may be in violation of the Fair Employment and Housing Act (Government Code section 12990 et seq.) if a particular group is employed in a substantially disparate manner.
9. The contractor shall not use the nondiscrimination standards to discriminate against any person because race, religious creed, color, national origin, ancestry, physical disability, mental disability, medical condition, genetic information, marital status, sex, gender, gender identity, gender expression, age, sexual orientation, or military and veteran status.
10. The contractor shall not enter into any subcontract with any person or firm decertified from state contracts pursuant to Government Code section 12990.
11. The contractor shall carry out such sanctions and penalties for violation of these specifications and the nondiscrimination clause, including suspension, termination and cancellation of existing subcontracts as may be imposed or ordered pursuant to Government Code section 12990 and its implementing regulations by the awarding agency. Any contractor who fails to carry out such sanctions and penalties shall be in violation of these specifications and Government Code section 12990.
12. The contractor shall designate a responsible official to monitor all employment related activity to ensure that the company equal employment opportunity policy is being carried out, to submit reports

relating to the provisions hereof as may be required by OCP and to keep records. Records shall at least include for each employee the name, address, telephone numbers, construction trade, union affiliation if any, employee identification number when assigned, status, (e.g., mechanic, apprentice trainee, helper, or laborer), dates of changes in status, hours worked per week in the indicated trade, rate of pay, and locations at which the work was performed. Records shall be maintained in any easily understandable and retrievable form; however, to the degree that existing records satisfy this requirement, contractors shall not be required to maintain separate records.

Add to the end of the 2nd sentence in the 1st paragraph of section 7-1.02K(1):

04-22-16

, and hauling and delivery of ready-mixed concrete.

Add between the 4th and 5th paragraphs of section 7-1.02K(3):

04-22-16

Submitted certified payrolls for hauling and delivering ready-mixed concrete must be accompanied by a written time record. The time record must include:

1. Truck driver's full name and address
2. Name and address of the factory or batching plant
3. Time the concrete was loaded at the factory or batching plant
4. Time the truck returned to the factory or batching plant
5. Truck driver's signature certifying under penalty of perjury that the information contained in this written time record is true and correct

Add between the 9th and 10th paragraphs of section 7-1.03:

07-15-16

If a height differential of more than 0.04 foot is created by construction activities at a joint transverse to the direction of traffic on the traveled way or a shoulder subject to public traffic, construct a temporary taper at the joint with a slope complying with the requirements shown in the following table:

Temporary Tapers

Height differential (foot)	Slope (horizontal:vertical)	
	Taper use of 14 days or less	Taper use of more than 14 days
Greater than 0.08	100:1 or flatter	200:1 or flatter
0.04–0.08	70:1 or flatter	70:1 or flatter

For a taper on existing asphalt concrete or concrete pavement, construct the taper with minor HMA under section 39-2.07.

Grind existing surfaces to accommodate a minimum taper thickness of 0.10 foot under either of the following conditions:

1. HMA material such as rubberized HMA, polymer-modified bonded wearing course, or open-graded friction course is unsuitable for raking to a maximum 0.02 foot thickness at the edge
2. Taper will be in place for more than 14 days

For a taper on a bridge deck or approach slab, construct the taper with polyester concrete under section 60-3.04B.

The completed surface of the taper must be uniform and must not vary more than 0.02 foot from the lower edge of a 12-foot straightedge when placed on its surface parallel and perpendicular to traffic.

If authorized, you may use alternative materials or methods to construct the required taper.

Replace § 337.15 in the 3rd item in the list in the paragraph of section 7-1.06B with:

§ 337.1

05-06-16

Add between the 1st and 2nd paragraphs of section 7-1.11A:

Comply with 46 CFR 381.7(a)–(b).

02-12-16

^^^^^^^^^^^^^^^^^^^^^^^^^^^^^^^^^^^^^^^^^^^^^^^^^^^^^^^^^^^^^^^^

8 PROSECUTION AND PROGRESS

07-15-16

Replace the table in the 3rd paragraph of section 8-1.10A with:

07-15-16

Liquidated Damages

Total bid		Liquidated damages per day
From over	To	
\$0	\$60,000	\$1,400
\$60,000	\$200,000	\$2,900
\$200,000	\$500,000	\$3,200
\$500,000	\$1,000,000	\$3,500
\$1,000,000	\$2,000,000	\$4,000
\$2,000,000	\$5,000,000	\$4,800
\$5,000,000	\$10,000,000	\$6,800
\$10,000,000	\$20,000,000	\$10,000
\$20,000,000	\$50,000,000	\$13,500
\$50,000,000	\$100,000,000	\$19,200
\$100,000,000	\$250,000,000	\$25,300

^^^^^^^^^^^^^^^^^^^^^^^^^^^^^^^^^^^^^^^^^^^^^^^^^^^^^^^^^^^^^^^^

9 PAYMENT

01-15-16

Replace *may withhold* in the 1st paragraph of section 9-1.16E(4) with:

01-15-16

withholds

12 TEMPORARY TRAFFIC CONTROL

07-15-16

Replace section 12-3.32 with:

04-15-16

12-3.32 PORTABLE CHANGEABLE MESSAGE SIGNS

12-3.32A General

12-3.32A(1) Summary

Section 12-3.32A includes specifications for placing portable changeable message signs.

12-3.32A(2) Definitions

Reserved

12-3.32A(3) Submittals

If requested, submit a certificate of compliance for each PCMS.

Submit your cell phone number before starting the first activity that requires a PCMS.

12-3.32A(4) Quality Assurance

Reserved

12-3.32B Materials

Each PCMS must have a message board, controller unit, power supply, and a structural support system. The unit must be assembled to form a complete self-contained PCMS that can be delivered to the job site and placed into immediate operation. The sign unit must be capable of operating at an ambient air temperature from -4 to 158 degrees F and must be unaffected by mobile radio transmissions other than those required to control the PCMS.

A PCMS must be permanently mounted on a trailer, truck bed, or truck cab under the manufacturer's instructions. The PCMS must be securely mounted on the support vehicle such that it remains attached during any impact to the vehicle. If it is mounted on a trailer, the trailer must be capable of being leveled and plumbed.

A minimum of 3 feet of retroreflective material must be permanently affixed on all 4 sides of the trailer. The retroreflective material need not be continuous but must be visible on the same plane.

The sign panel must be capable of displaying a 3-line message with at least 7 characters per line. The characters must be at least 18 inches in height where the useable shoulder area is at least 15 feet wide. To prevent encroachment onto the traveled way where the useable shoulder area is less than 15 feet wide, you may use a smaller message panel with at least 12-inch-high characters.

The message displayed on the sign must be visible from a distance of 1,500 feet and legible from a distance of 750 feet at noon on a cloudless day and during the night by persons with 20/20 vision or vision corrected to 20/20.

The characters on a sign panel may be 10 inches in height if:

1. PCMS is mounted on a service patrol truck or other incident response vehicle or used for traffic control operations on a highway facility where the posted speed limit is less than 40 mph
2. Message is legible from a distance of at least 650 feet at noon on a cloudless day and during the night by persons with 20/20 vision or vision corrected to 20/20

A matrix sign must provide a complete alphanumeric selection.

A PCMS must automatically adjust its brightness under varying light conditions to maintain the legibility of the message. The sign must be equipped with an automatic-dimming mode that automatically compensates for the influence of temporary light sources or abnormal lighting conditions. The sign must have 3 or more manual dimming modes of different intensities.

During the hours of darkness, a matrix sign not using lamps must be either internally or externally illuminated.

The controller must be an all solid-state unit containing the necessary circuitry for the storage of at least 5 preprogrammed messages. The controller must be installed at a location that allows the operator to perform all functions from a single position. The controller must have a keyboard entry system that allows the operator to generate an infinite number of additional messages in addition to the preprogrammed stored messages. The keyboard must be equipped with a security lockout feature to prevent unauthorized use of the controller.

The controller must have:

1. Nonvolatile memory that stores keyboard-created messages during periods when the power is not activated
2. Variable display rate that allows the operator to match the information display to the speed of approaching traffic
3. Screen upon which messages may be reviewed before being displayed on the sign

The flashing-off time must be adjustable from within the control cabinet.

12-3.32C Construction

Place a PCMS as far from the traveled way as practicable where it is legible to approaching traffic without encroaching on the traveled way. Where the vertical roadway curvature restricts the sight distance of approaching traffic, place the sign on or before the crest of the curvature where it is most visible to the approaching traffic. Where the horizontal roadway curvature restricts the sight distance of approaching traffic, place the sign at or before the curve where it is most visible to approaching traffic. Where practicable, place the sign behind guardrail or Type K temporary railing.

Make a taper consisting of 9 traffic cones placed 25 feet apart to delineate the location of a PCMS except where the sign is placed behind guardrail or Type K temporary railing.

When in full operation, the bottom of a sign must be at least 7 feet above the roadway in areas where pedestrians are anticipated and 5 feet above the roadway elsewhere, and the top of the sign must be not more than 14.5 feet above the roadway.

Operate the PCMS under the manufacturer's instructions.

Keep the PCMS clean to provide maximum visibility.

If multiple signs are needed, place each sign on the same side of the road at least 1,000 feet apart on freeways and expressways and at least 500 feet apart on other types of highways.

If more than one PCMS is simultaneously visible to traffic, only 1 sign may display a sequential message at any time. Do not use dynamic message displays, such as animation, rapid flashing, dissolving, exploding, scrolling, horizontal movement, or vertical movement of messages. The message must be centered within each line of the display.

You may use an additional PCMS if more than 2 phases are needed to display a message.

Display only messages shown or ordered.

Repeat the entire message continuously in not more than 2 phases of at least 3 seconds per phase. The sum of the display times for both of the phases must be a maximum of 8 seconds. If more than 2 phases are needed to display a message, use an additional PCMS.

You must be available by cell phone during activities that require a sign. Be prepared to immediately change the displayed message if ordered. You may operate the sign with a 24-hour timer control or remote control if authorized.

After the initial placement, move a sign from location to location as ordered.

When a PCMS is not in use, move it to an area at least 15 feet from the edge of the traveled way or remove it from the job site away from traffic.

12-3.32D Payment

Not Used

Add between the 1st sentence and 2nd sentences in the 1st paragraph of section 12-4.02A(3)(a):

07-15-16

For a project in District 7, submit the request at least 15 days before the proposed closure date.

Replace section 12-4.02C(2) with:

01-15-16

12-4.02C(2) Lane Closure System

12-4.02C(2)(a) General

The Department provides LCS training. Request the LCS training at least 30 days before submitting the 1st closure request. The Department provides the training within 15 days after your request.

LCS training is web-based or held at a time and location agreed upon by you and the Engineer. For web-based training, the Engineer provides you the website address to access the training.

With 5 business days after completion of the training, the Department provides LCS accounts and user IDs to your assigned, trained representatives.

Each representative must maintain a unique password and current user information in the LCS.

04-15-16

The project is not accessible in LCS after Contract acceptance.

01-15-16

12-4.02C(2)(b) Status Updates for Authorized Closures

Update the status of authorized closures using the LCS Mobile web page.

For a stationary closure, use code:

1. 10-97 immediately before you place the 1st advance warning sign
2. 10-98 immediately after you remove all of the advance warning signs

For a moving closure, use code:

1. 10-97 immediately before the actual start time of the closure
2. 10-98 immediately after the actual end time of the closure

Cancel an authorized closure by using code 10-22 within 2 hours after the authorized start time.

If you are unable to access the LCS Mobile web page, immediately notify the Engineer of the closure's status.

Replace the 1st sentence in the 3rd paragraph of section 12-6.03A with:

07-15-16

When the Engineer determines the temporary pavement delineation is no longer required for the direction of traffic, remove the temporary pavement delineation, including any underlying adhesive for temporary pavement markers, from the final layer of surfacing and from the pavement to remain in place.

^^^^^^^^^^^^^^^^^^^^^^^^^^^^^^^^^^^^^^^^^^^^^^^^^^^^^^^^^^^^^^^^^^^^^^^^^^^^^^^^^^^^

13 WATER POLLUTION CONTROL

09-02-16

Replace General Industrial Permit in the 2nd item in the list in the paragraph of section 13-1.01C(3) with:

05-06-16

Industrial General Permit

Replace the 2nd paragraph of section 13-1.01D(2) with:

05-06-16

Discharges from manufacturing facilities, such as batch plants and crushing plants, must comply with the discharge requirements in the NPDES General Permit for Storm Water Discharges Associated with Industrial Activities; Order No. 2014-0057-DWQ, CAS000001 (Industrial General Permit), issued by the SWRCB. For the Industrial General Permit, go to the SWRCB website.

Replace General Industrial Permit in the 3rd paragraph of section 13-1.01D(2) with:

05-06-16

Industrial General Permit

Replace the 2nd paragraph of section 13-3.01D(2) with:

09-02-16

For a project in the Lake Tahoe Hydrologic Unit, discharges of stormwater from the project must comply with the NPDES General Permit for General Waste Discharge Requirements and National Pollutant Discharge Elimination System General Permit for Storm Water Discharges Associated with Construction Activity in the Lake Tahoe Hydrologic Unit, Counties of Alpine, El Dorado, and Placer, (Order No. R6T-2016-0010 and NPDES No. CAG616002). You may view the General Permit for the Lake Tahoe Hydrologic Unit at the Construction Storm Water Program page of the SWRCB website.

Replace the 2nd paragraph of section 13-8.01D(2) with:

09-02-16

For a project within the Lake Tahoe Hydrologic Unit, the design, installation, operation, and monitoring of the temporary ATS and monitoring of the treated effluent must comply with Attachment E of the NPDES General Permit for General Waste Discharge Requirements and National Pollutant Discharge Elimination System General Permit for Storm Water Discharges Associated with Construction Activity in the Lake Tahoe Hydrologic Unit, Counties of Alpine, El Dorado, and Placer, (Order No. R6T-2016-0010 and

^^^^^^^^^^^^^^^^^^^^^^^^^^^^^^^^^^^^^^^^^^^^^^^^^^^^^^^^^^^^^^^^^^^^^^^^^^^^^^^^^^^^

16 TEMPORARY FACILITIES

04-15-16

Add between the 1st and 2nd sentences of section 16-2.03A(1):

04-15-16

Constructing a high-visibility fence includes the installation of any signs specified in the special provisions.

^^^^^^^^^^^^^^^^^^^^^^^^^^^^^^^^^^^^^^^^^^^^^^^^^^^^^^^^^^^^^^^^^^^^^^^^^^^^^^^^^^^^

DIVISION III EARTHWORK AND LANDSCAPE

20 LANDSCAPE

07-15-16

Replace 86 in the 1st paragraph of section 20-2.01C(2) with:

04-15-16

87

Replace the 8th paragraph of section 20-2.01C(2) with:

07-15-16

Trenches for irrigation supply lines and conduits 3 inches and larger in diameter must be a minimum of 18 inches below the finished grade, measured to the top of the installed pipe.

Replace 86 in the 1st paragraph of section 20-2.01C(3) with:

04-15-16

87

Replace section 20-2.04A(4) with:

04-15-16

Perform conductors test. The test must comply with the specifications in section 87.

Where the conductors are installed by trenching and backfilling, perform the test after a minimum of 6 inches of backfill material has been placed and compacted over the conductors.

Replace the 1st paragraph of section 20-2.04C(4) with:

04-15-16

Splice low voltage control and neutral conductors under section 87, except do not use Method B.

Replace the 3rd paragraph of section 20-2.05B with:

07-15-16

The impeller must be glass reinforced nylon on a tungsten carbide shaft.

Replace 86 in the 2nd paragraph of section 20-2.06C with:

04-15-16

87

Replace section 20-2.07B(5) with:

04-15-16

20-2.07B(5) PVC Pipe Conduit Sleeve

PVC pipe conduit sleeves must be schedule 40 complying with ASTM D1785.

Fittings must be schedule 80.

Replace section 20-2.07C(3) with:

04-15-16

20-2.07C(3) PVC Pipe Conduit Sleeve

Where PVC pipe conduit sleeves 2 inches or less in outside diameter is installed under surfacing, you may install by directional boring under section 20-2.07C(2)(b).

For sleeves 2 inches or less in diameter, the top of the conduit must be a minimum of 18 inches below surfacing.

Extend sleeves 6 inches beyond surfacing. Cap ends of conduit until used.

Replace sections 20-2.09B and 20-2.09C with:

07-15-16

20-2.09B Materials

20-2.09B(1) General

Swing joints must match the inlet connection size of the riser.

Where shown, a sprinkler assembly must include a check valve.

Threaded nipples for swing joints and risers must be schedule 80, PVC 1120 or PVC 1220 pipe, and comply with ASTM D1785. Risers for sprinkler assemblies must be UV resistant.

Fittings for sprinkler assemblies must be injection-molded PVC, schedule 40, and comply with ASTM D2466.

Flexible hose for sprinkler assemblies must be leak-free, non-rigid and comply with ASTM D2287, cell Type 6564500. The hose must comply with ASTM D2122 and have the thickness shown in the following table:

Nominal hose diameter (inch)	Minimum wall thickness (inch)
1/2	0.127
3/4	0.154
1	0.179

Solvent cement and fittings for flexible hose must comply with section 20-2.08B(5).

20-2.09B(2) Pop-Up Sprinkler Assemblies

Each pop-up sprinkler assembly must include a body, nozzle, swing joint, pressure reducing device, fittings, and sprinkler protector where shown.

20-2.09B(3) Riser Sprinkler Assemblies

Each riser sprinkler assembly must include a body, flexible hose, threaded nipple, nozzle, swing joint (except for a Type V riser), pressure reducing device, fittings, and riser support where shown.

20-2.09B(4) Tree Well Sprinkler Assemblies

Each tree well sprinkler assembly must include a threaded nipple, nozzle, swing joint, fittings, perforated drainpipe, and drain grate.

The perforated drainpipe must be commercial-grade, rigid PVC pipe with holes spaced not more than 6 inches on center on 1 side of the pipe.

The drain grate must be a commercially-available, 1-piece, injection-molded grate manufactured from structural foam polyolefins with UV light inhibitors. Drain grate must be black.

Gravel for filling the drainpipe must be graded such that 100 percent passes the 3/4-inch sieve and 100 percent is retained on the 1/2-inch sieve. The gravel must be clean, washed, dry, and free from clay or organic material.

20-2.09C Construction

Where shown, install a flow shut-off device under the manufacturer's instructions, unless you use equipment with a preinstalled flow shut-off device.

Where shown, install a pressure reducing device under the manufacturer's instructions, unless you use equipment with a preinstalled pressure reducing device.

Install pop-up and riser sprinkler assembly:

1. From 6-1/2 to 8 feet from curbs, dikes, and sidewalks
2. At least 10 feet from paved shoulders
3. At least 3 feet from fences and walls

If sprinkler assembly cannot be installed within these limits, the location will be determined by the Engineer.

Set sprinkler assembly riser on slopes perpendicular to the plane of the slope.

Replace the paragraph of section 20-2.10B(3) with:

07-15-16

Each check valve must be one of the following:

1. Schedule 80 PVC with a factory setting to withstand a minimum 7-foot head on risers
2. Class 200 PVC if used on a nonpressurized plastic irrigation supply line
3. Internal to the sprinkler body with a factory setting to withstand a minimum 7-foot head

Replace the paragraph of section 20-2.10C(3) with:

07-15-16

Install check valves as necessary to prevent low-head drainage.

Replace the paragraphs of section 20-3.01B(10) with:

07-15-16

Each plant stake for vines must be nominal 1 by 1 inch and 18 inches long.

Each plant stake for trees must be nominal 2 by 2 inches or nominal 2 inches in diameter and long enough to keep the tree in an upright position.

Replace the paragraph of section 20-3.01B(11) with:

07-15-16

Each plant tie for vines must be extruded vinyl-based tape, 1 inch wide and at least 8 mils thick.

Each plant tie for trees must be a (1) minimum 3/4-inch-wide, UV-resistant, flexible vinyl tie complying with ASTM D412 for tensile and elongation strength, or (2) lock-stitch, woven polypropylene with a minimum 900 lb tensile strength.

Add between the 7th and 8th paragraphs of section 20-3.02C(3)(b):

07-15-16

Spread the vine shoots and tie them with a plant tie to each stake above the crossing point.

Replace the 8th paragraph of section 20-3.02C(3)(b) with:

07-15-16

Tie trees to the stakes with 2 tree ties, 1 tie to each stake. Each tie must form a figure eight by crossing the tie between the tree and the stake. Install ties at the lowest position that will support the tree in an upright position. Install the ties such that they provide trunk flexibility but do not allow the trunk to rub against the stakes. Wrap each end of the tie 1-1/2 turns around the stake and securely tie or nail it to the stake.

Replace the 1st paragraph of section 20-5.02C(1) with:

07-15-16

Where edging is used to delineate the limits of inert ground cover or wood mulch areas, install the edging before installing the inert ground cover or wood mulch.

Delete *AND MULCHES* in the heading of section 20-5.03.

07-15-16

Delete *and mulches* in the paragraph of section 20-5.03A(1)(a).

07-15-16

Replace the paragraph of section 20-5.03A(3)(a) with:

07-15-16

Before installing inert ground cover, remove plants and weeds to the ground level.

Delete or mulch at each occurrence in sections 20-5.03A(3)(c) and 20-5.03A(3)(d).

07-15-16

Replace section 20-5.03E with:

20-5.03E Reserved

07-15-16

Replace section 20-5.04 with:

07-15-16

20-5.04 WOOD MULCH

20-5.04A General

20-5.04A(1) Summary

Section 20-5.04 includes specifications for placing wood mulch.

20-5.04A(2) Definitions

Reserved

20-5.04A(3) Submittals

Submit a certificate of compliance for wood mulch.

Submit a 2 cu ft mulch sample with the mulch source shown on the bag. Obtain authorization before delivering the mulch to the job site.

20-5.04A(4) Quality Assurance

Reserved

20-5.04B Materials

20-5.04B(1) General

Mulch must not contain more than 0.1 percent of deleterious materials such as rocks, glass, plastics, metals, clods, weeds, weed seeds, coarse objects, sticks larger than the specified particle size, salts, paint, petroleum products, pesticides or chemical residues harmful to plant or animal life.

20-5.04B(2) Tree Bark Mulch

Tree bark mulch must be derived from cedar, Douglas fir, or redwood species.

The mulch must be ground such that at least 95 percent of the material by volume is less than 2 inches long in any dimension and no more than 30 percent by volume is less than 1 inch long in any dimension.

20-5.04B(3) Wood Chip Mulch

Wood chip mulch must:

1. Be derived from clean wood
2. Not contain leaves or small twigs
3. Contain at least 95 percent by volume of wood chips with a width and thickness from 1/16 to 3/8 inch and a length from 1/2 to 3 inches

20-5.04B(4) Shredded Bark Mulch

Shredded bark mulch must:

1. Be derived from trees
2. Be a blend of loose, long, thin wood, or bark pieces

3. Contain at least 95 percent by volume of wood strands with a width and thickness from 1/8 to 1-1/2 inches and a length from 2 to 8 inches

20-5.04B(5) Tree Trimming Mulch

Tree trimming mulch must:

1. Be derived from chipped trees and may contain leaves and small twigs
2. Contain at least 95 percent by volume of material less than 3 inches long for any dimension and not more than 30 percent by volume of material less than 1 inch long for any dimension

20-5.04B(6)–20-5.04B(11) Reserved

20-5.04C Construction

Before placing wood mulch, remove plants and weeds to the ground level.

Maintain the planned flow lines, slope gradients, and contours of the job site. Grade the subgrade to a smooth and uniform surface.

Place mulch after the plants have been planted.

Place mulch in the plant basin at the rate described. Mulch must not come in contact with the plant crown and stem.

Place mulch as shown in areas outside of plant basins to a uniform thickness.

Spread mulch from the outside edge of the plant basin to the adjacent edges of shoulders, paving, retaining walls, dikes, edging, curbs, sidewalks, walls, fences, and existing plantings. If the plant is 12 feet or more from the adjacent edges of any of these elements, spread the mulch 6 feet beyond the outside edge of the plant basin.

Do not place mulch within 4 feet of:

1. Flow line of earthen drainage ditches
2. Edge of paved ditches
3. Drainage flow lines

20-5.04D Payment

The payment quantity for wood mulch is the volume measured in the vehicle at the point of delivery.

^^^^^^^^^^^^^^^^^^^^^^^^^^^^^^^^^^^^^^^^^^^^^^^^^^^^^^^^^^^^^^^^^^^^^^^^^^^^^^^^^^^^^^^^^^^^

21 EROSION CONTROL

07-15-16

Add between *tube* and *12* in the 1st paragraph of section 21-2.02Q:

8 or

07-15-16

^^^^^^^^^^^^^^^^^^^^^^^^^^^^^^^^^^^^^^^^^^^^^^^^^^^^^^^^^^^^^^^^^^^^^^^^^^^^^^^^^^^^^^^^^^^^

DIVISION IV SUBBASES AND BASES

23 GENERAL

07-15-16

Replace the headings and paragraphs in section 23 with:

07-15-16

23-1 GENERAL

23-1.01 GENERAL

23-1.01A Summary

Section 23 includes general specifications for constructing subbases and bases.

23-1.01B Definitions

Reserved

23-1.01C Submittals

Submit a QC plan for the types of subbases or bases where described.

23-1.01D Quality Assurance

23-1.01D(1) General

23-1.01D(1)(a) General

Take samples under California Test 125.

23-1.01D(1)(b) Test Result Disputes

You and the Engineer must work together to avoid potential conflicts and to resolve disputes regarding test result discrepancies. Notify the Engineer within 5 business days of receiving the test result if you dispute the test result.

If you or the Engineer dispute each other's test results, submit your test results and copies of paperwork including worksheets used to determine the disputed test results. An independent third party performs referee testing. Before the independent third party participates in a dispute resolution, it must be qualified under AASHTO Materials Reference Laboratory program and the Department's Independent Assurance Program. The independent third party must have no prior direct involvement with this Contract. By mutual agreement, the independent third party is chosen from:

1. Department laboratory in a district or region not in the district or region the project is located
2. Transportation Laboratory
3. Laboratory not currently employed by you or your material producer

If split acceptance samples are not available, the independent third party uses any available material representing the disputed material for evaluation.

If the independent third party determines the Department's test results are valid, the Engineer deducts the independent third party testing costs from payments. If the independent third party determines your test results are valid, the Department pays the independent third party testing costs.

23-1.01D(2) Quality Control

23-1.01D(2)(a) General

Provide a QC manager when the quantity of subbase or base is as shown in the following table:

QC Manager Requirements

Subbase or base	Requirement
Stabilized soil (sq yd)	≥ 20,000
Aggregate subbases (cu yd)	≥ 20,000
Aggregate bases (cu yd)	≥ 20,000
CTB (cu yd)	≥ 10,000
Lean concrete base (cu yd)	≥ 2,000
Rapid strength concrete base (cu yd)	≥ 1,000
Lean concrete base rapid setting (cu yd)	≥ 1,000
Concrete base (cu yd)	≥ 1,000
Treated permeable bases (cu yd)	≥ 2,000
Reclaimed pavements (sq yd)	≥ 10,000

Provide a testing laboratory to perform quality control tests. Maintain sampling and testing equipment in proper working condition.

You are not entitled to compensation for the suspension of work resulting from noncompliance with quality control requirements, including those identified within the QC plan.

23-1.01D(2)(b) Quality Control Plan

The QC plan must describe the organization and procedures used to:

1. Control the production process
2. Determine if a change to the production process is needed
3. Implement a change

The QC plan must include action and suspension limits and details of corrective action to be taken if any process is outside of those limits. Suspension limits must not exceed specified acceptance criteria.

The QC plan must describe how test results will be submitted including times for sampling and testing for each quality characteristic.

23-1.01D(2)(c) Qualifications

Testing laboratories and testing equipment must comply with the Department's Independent Assurance Program.

Personnel performing sampling and testing must be qualified under the Department's Independent Assurance Program for the sampling and testing performed.

23-1.01D(3) Department Acceptance

Reserved

23-1.02 MATERIALS

Not Used

23-1.03 CONSTRUCTION

Not Used

23-1.04 PAYMENT

Not Used

23-2-23-7 RESERVED

AAAAAAAAAAAAAAAAAAAAAAAAAAAAAAAAAAAAAAAAAAAAAAAAAAAAAAAAAAAAAAAA

24 STABILIZED SOILS

07-15-16

Add to section 24-1.01C(1):

07-15-16

Submit a stabilized soil quality control plan.

Add to section 24-1.01D(1):

07-15-16

Construct test pads for compaction tests by scraping away material to the depth ordered. If a compaction test fails, corrective action must include the layers of material already placed above the test pad elevation.

Replace section 24-1.01D(2) with:

07-15-16

24-1.01D(2) Quality Control

24-1.01D(2)(a) General

Reserved

24-1.01D(2)(b) Quality Control Plan

Reserved

24-1.01D(2)(c) Qualifications

Reserved

24-1.01D(2)(d) Preparing Basement Material

After preparing an area for soil stabilization, verify the surface grades.

24-1.01D(2)(e) Mixing

Except for clods larger than 1 inch, randomly test the adequacy of the mixing with a phenolphthalein pH indicator solution.

Replace the 1st paragraph of section 24-1.03C with:

07-15-16

The Engineer orders the application rate as pounds of stabilizing agent per square yard of basement material to be stabilized.

Delete section 24-2.01D(1)(c)

07-15-16

Replace 250 in the 2nd sentence in the 2nd paragraph of section 24-2.01D(2)(c) with:

07-15-16

500

QC Testing Frequencies

Quality characteristic	Test method	Sampling location	Minimum frequency
R-value	California Test 301	Stockpiles, transportation units, windrows, or roadways	1 test before beginning work and every 2000 cu yd thereafter ^a
Aggregate gradation	California Test 202	Stockpiles, transportation units, windrows, or roadways	1 per 500 cu yd but at least one per day of placement
Sand equivalent	California Test 217	Stockpiles, transportation units, windrows, or roadways	
Relative compaction	California Test 231	Roadway	1 per 500 sq yd on each layer

^aAdditional R-value frequency testing will not be required when the average of 4 consecutive sand equivalent tests is 4 or more above the specified operating range value.

Add between the 2nd and 3rd paragraphs of section 25-1.01D(3):

07-15-16

The Engineer takes aggregate subbase samples for R-value, aggregate gradation, and sand equivalent from any of the following locations:

1. Windrow
2. Roadway

Delete for each noncompliant test result in the 4th paragraph of section 25-1.01D(3).

07-15-16

Delete *a* in the 5th paragraph of section 25-1.01D(3).

07-15-16

^^^^^^^^^^^^^^^^^^^^^^^^^^^^^^^^^^^^^^^^^^^^^^^^^^^^^^^^^^^^^^^^^^^^^^^^^^^^^^^^^^^^

26 AGGREGATE BASES

07-15-16

Replace *Reserved* in section 26-1.01C with:

07-15-16

Submit an aggregate base QC plan.

Replace *Reserved* in section 26-1.01D(1) with:

07-15-16

Aggregate samples must not be treated with lime, cement, or chemicals before testing for durability index. Aggregate from untreated reclaimed processed AC, PCC, LCB, or CTB is not considered treated.

Replace *Reserved* in section 26-1.01D(2) with:

07-15-16

26-1.01D(2)(a) General

Reserved

26-1.01D(2)(b) Quality Control Plan

Reserved

26-1.01D(2)(c) Qualifications

Reserved

26-1.01D(2)(d) Quality Control Testing

AB quality control must include testing the quality characteristics at the frequencies shown in the following table:

QC Testing Frequencies

Quality characteristic	Test method	Sampling location	Minimum frequency
R-value	California Test 301	Stockpiles, transportation units, windrows, or roadways	1 test before starting work and every 2,000 cu yd thereafter ^a
Aggregate gradation	California Test 202	Stockpiles, transportation units, windrows, or roadways	1 per 500 cu yd but at least one per day of placement
Sand equivalent	California Test 217	Stockpiles, transportation units, windrows, or roadways	
Durability index ^b	California Test 229	Stockpiles, transportation units, windrows, or roadways	1 per project
Relative compaction	California Test 231	Roadway	1 per 500 sq yd on each layer

^aAdditional R-value frequency testing will not be required when the average of 4 consecutive sand equivalent tests is 29 or greater for Class 2 AB or 25 or greater for Class 3 AB.

^bApplies if section 26-1.02 contains an applicable requirement for durability index

Add between *requirements*, and *and* in the 1st paragraph of section 26-1.01D(3):

07-15-16

durability,

Add between the 2nd and 3rd paragraphs of section 26-1.01D(3):

07-15-16

The Engineer takes aggregate base samples for R-value, aggregate gradation, sand equivalent, and durability index from any of the following locations:

1. Windrow
2. Roadway

Delete the 3rd paragraph of section 26-1.01D(3).

^^^^^^^^^^^^^^^^^^^^^^^^^^^^^^^^^^^^^^^^^^^^^^^^^^^^^^^^^^^^^^^^^^^^

27 CEMENT TREATED BASES

07-15-16

Add to section 27-1.01C:

07-15-16

Submit cement treated base QC plan.

Replace the headings and paragraphs in section 27-1.01D with:

07-15-16

27-1.01D Quality Assurance

27-1.01D(1) General

After the CTB has been spread on the subgrade and before initial compaction, the cement content of the completed mixture of CTB must not vary from the specified cement content by more than 0.6 percent of the weight of the dry aggregate when tested under California Test 338.

For Class A CTB, compaction is tested under California Test 312 or 231.

The relative compaction of CTB must be at least 95 percent. Each layer of CTB may be tested for compaction, or all layers may be tested together at the option the Engineer. If all layers are tested together, you are not relieved of the responsibility to achieve the required compaction in each layer placed.

27-1.01D(1)(a) Aggregate

When tested under California Test 301, aggregate for Class B CTB must have (1) an R-value of at least 60 before mixing with cement and (2) an R-value of at least 80 when aggregate is mixed with an amount of cement that does not exceed 2.5 percent by weight of the dry aggregate.

Before sand equivalent testing, aggregate samples must not be treated with lime, cement, or chemicals.

If the aggregate gradation test results, the sand equivalent test results, or both comply with contract compliance requirements but not operating range requirements, you may continue placing CTB for the remainder of the work day. Do not place additional CTB until you demonstrate to the Engineer that the CTB to be placed complies with the operating range requirements.

If the aggregate gradation test results, sand equivalent test results, or both do not comply with contract compliance requirements, remove the CTB or request a payment deduction. If your request is authorized, \$2.50/cu yd is deducted. If CTB is paid for by weight, the Engineer converts tons to cubic yards for the purpose of reducing payment for noncompliant CTB left in place. An aggregate gradation and a sand equivalent test represents up to (1) 500 cu yd or (2) 1 day's production if less than 500 cu yd.

27-1.01D(1)(b) Road-Mixed Cement Treated Base Moisture Content

Just before initial compaction the moisture content of the completed mixture must be at least the optimum moisture content less 1 percent. The moisture content is determined under California Test 226 and optimum moisture content is determined under California Test 312.

27-1.01D(1)(c) Plant-Mixed Cement Treated Base Moisture Content

At the point of delivery to the work, the moisture content of the completed mixture must be at least the optimum moisture content less 1 percent. The moisture content is determined under California Test 226 and optimum moisture content under California Test 312.

27-1.01D(2) Quality Control**27-1.01D(2)(a) General**

Reserved

27-1.01D(2)(b) Quality Control Plan

Reserved

27-1.01D(2)(c) Qualifications

Reserved

27-1.01D(2)(d) Quality Control Testing

CTB quality control must include testing the quality characteristics at the frequencies shown in the following table:

QC Testing Frequencies

Quality characteristic	Test method	Sampling location	Minimum frequency
Aggregate gradation	California Test 202 modified	Stockpiles, plant, transportation units, windrow, or roadway	1 per 500 cu yd but at least one per day of placement
Sand equivalent	California Test 217	Stockpiles, plant, transportation units, windrow, or roadway	
R-value ^a	California Test 301	Stockpiles, plant, transportation units, windrows, or roadway	1 test before starting work and every 2000 cu yd thereafter ^b
Optimum moisture content	California Test 312	Plant, transportation units, windrow, or roadway	1 per day of placement
Moisture content	California Test 226	Roadway	1 per 500 cu yd but at least one per day of placement
Cement content	California Test 338	Windrows or roadway	1 per 1000 cu yd but at least one per day of placement
Relative compaction	California Test 312 or 231	Roadway	1 per 2000 sq yd but at least one per day of placement
Compressive strength ^c	California Test 312	Windrow or roadways	1 per day of placement

^aR-value is required for Class B CTB only

^bAdditional R-value frequency testing will not be required while the average of 4 consecutive sand equivalent tests is 4 or more above the specified operating range value.

^cCompressive strength is required for Class A CTB only when specified

27-1.01D(3) Department Acceptance

The Department's acceptance testing includes testing the CTB quality characteristics shown in the following table:

CTB Requirements for Acceptance

Quality characteristic	Test method
Aggregate gradation	California Test 202 modified
Sand equivalent	California Test 217
R-value ^a	California Test 301
Optimum moisture content	California Test 312
Moisture content	California Test 226
Cement content	California Test 338
Relative compaction	California Test 312 or 231
Compressive strength ^b	California Test 312

^aR-value is required for Class B CTB only

^bCompressive strength is required for Class A CTB only when specified

The Engineer takes samples for aggregate gradation and sand equivalent from any of the following locations:

1. Plant
2. Truck
3. Windrow, for road-mixed only
4. Roadbed, for road-mixed only

Add to section 27-1.02:

Water must comply with section 90-1.02D.

07-15-16

Add to section 27-1.03F:

The relative compaction of CTB must be at least 95 percent.

07-15-16

28 CONCRETE BASES

07-15-16

Replace the headings and paragraphs in section 28-1.01D with:

07-15-16

28-1.01D Quality Assurance

28-1.01D(1) General

Aggregate samples must not be treated with lime, cement, or chemicals before testing for sand equivalent.

Stop concrete base activities and immediately notify the Engineer whenever:

1. Any QC or QA test result does not comply with the specifications
2. Visual inspection shows a noncompliant concrete base

If concrete base activities are stopped, before resuming activities:

1. Notify the Engineer of the adjustments you will make

2. Remedy or replace the noncompliant concrete base
3. Field qualify or construct a new test strip as specified for the concrete base involved to demonstrate compliance with the specifications
4. Obtain authorization

28-1.01D(2) Quality Control

28-1.01D(2)(a) General

Reserved

28-1.01D(2)(b) Quality Control Plan

Reserved

28-1.01D(2)(c) Qualifications

Reserved

28-1.01D(3) Department Acceptance

Reserved

Add to section 28-2.01C(1):

Submit a lean concrete base QC plan.

07-15-16

Replace the headings and paragraphs in section 28-2.01D with:

28-2.01D Quality Assurance

28-2.01D(1) General

28-2.01D(1)(a) General

The molds for compressive strength testing under ASTM C31 or ASTM C192 must be 6 by 12 inches.

If the aggregate gradation test results, sand equivalent test results or both comply with the contract compliance requirements but not the operating range requirements, you may continue placing LCB for the remainder of the work day. Do not place additional LCB until you demonstrate the LCB to be placed complies with the operating range requirements.

28-2.01D(1)(b) Qualifications

Field qualification tests and calculations must be performed by an ACI certified "Concrete Laboratory Technician, Grade I.

28-2.01D(1)(c) Aggregate Qualification Testing

Qualify the aggregate for each proposed aggregate source and gradation. The qualification tests include (1) a sand equivalent and (2) an average 7-day compressive strength under ASTM C39 of 3 cylinders manufactured under ASTM C192 except cure cylinders in molds without lids after initial curing.

For the compressive strength test, the cement content for each cylinder must be 300 lb/cu yd. The 7-day average compressive strength must be at least 610 psi. The cement must be Type II portland cement.

LCB must have from 3 to 4 percent air content during aggregate qualification testing.

07-15-16

28-2.01D(1)(d) Field Qualification Testing

Before placing LCB, you must perform field qualification testing and obtain authorization for each mix design. Retest and obtain authorization for changes to the authorized mix designs.

Notify the Engineer at least 5 business days before field qualification. Perform the field qualification at the job site or an authorized location.

Field qualification testing includes tests for compressive strength, air content, and penetration or slump.

For compressive strength field qualification testing:

1. Prepare 12 cylinders under ASTM C31 except final cure cylinders in molds without lids from a single batch.
2. Perform 3 tests; each test consists of determining the average compressive strength of 2 cylinders at 7 days under ASTM C39. The average compressive strength for each test must be at least 530 psi

If you submitted a notice to produce LCB qualifying for a transverse contraction joint waiver, manufacture additional specimens and test the LCB for compressive strength at 3 days. Prepare the compressive strength cylinders under ASTM C31 except final cure cylinders in molds without lids at the same time using the same material and procedures as the 7-day compressive strength cylinders except do not submit 6 additional test cylinders. The average 3-day compressive strength for each test must be not more than 500 psi.

28-2.01D(2) Quality Control

28-2.01D(2)(a) General

Reserved

28-2.01D(2)(b) Quality Control Manager

Reserved

28-2.01D(2)(c) Quality Control Testing

Test the LCB under the test methods and at the locations and frequencies shown in the following table:

LCB Sampling Location and Testing Frequencies

Quality characteristic	Test method	Sampling location	Minimum sampling and testing frequency
Sand equivalent	ASTM D2419	Source	1 per 500 cubic yards but at least 1 per day of production
Aggregate gradation	ASTM C136		
Air content	ASTM C231	Job site	
Penetration ^a	ASTM C360		
Slump ^a	ASTM C143		
Compressive strength	ASTM C39 ^b		

^aTest for either penetration or slump

^bPrepare cylinders under ASTM C31 except final cure cylinders in molds without lids.

28-2.01D(3) Department Acceptance

The Department accepts LCB based on compliance with the requirements shown in the following table:

LCB Requirements for Acceptance

Quality characteristic	Test method	Requirement
Compressive strength (min, psi at 7 days)	ASTM C39 ^a	530 ^b

^a Cylinders prepared under ASTM C31 except final cure cylinders in molds without lids.

^b A compressive strength test represents up to (1) 1,000 cu yd or (2) 1 day's production if less than 1,000 cu yd.

Replace section 28-2.01D(4) in item 3 of the 5th paragraph in section 28-2.03D with:

07-15-16

section 28-2.01D(1)(c)

Replace the 1st paragraph in section 28-2.03F with:

07-15-16

After finishing LCB, cure LCB with pigmented curing compound under section 90-1.03B(3) and 40-1.03I.
Apply curing compound:

1. In 2 separate applications
2. Before the atmospheric temperature falls below 40 degrees F
3. At a rate of 1 gal/150 sq ft for the first application
4. At a rate of 1 gal/200 sq ft for the second application

Replace *Reserved* in section 28-3.01C(3) with:

07-15-16

Submit a rapid strength concrete base QC plan.

Replace the headings and paragraphs in section 28-3.01D with:

07-15-16

28-3.01D Quality Assurance

28-3.01D(1) General

28-3.01D(1)(a) General

At the preconstruction meeting be prepared to discuss the project specifications and methods of performing each item of work. Items discussed must include the processes for:

1. Production
2. Transportation
3. Placement
4. QC plan, if specified in the special provisions
5. Contingency plan
6. QC sampling and testing
7. Acceptance criteria

Beams for modulus of rupture testing must be fabricated and tested under California Test 524. The beams may be fabricated using an internal vibrator under ASTM C31. For each test, 3 beam must be fabricated and the test results averaged. No single test represents more than that day's production or 130 cu yd, whichever is less.

For early age testing, beams must be cured so the monitored temperatures in the beams and the test strip are always within 5 degrees F. The internal temperatures of the RSC base and early age beams must be monitored and recorded at intervals of at least 5 minutes. Thermocouples or thermistors connected to strip-chart recorders or digital data loggers must be installed to monitor the temperatures. Temperature recording devices must be accurate to within ±2 degrees F. Until early age testing is completed, internal temperatures must be measured at 1 inch from the top, 1 inch from the bottom, and no closer than 3 inches from any edge.

For other age testing, beams must be cured under California Test 524 except beams must be placed into sand at a time that is the earlier of either from 5 to 10 times the final set time, or 24 hours.

RSC base must have an opening age modulus of rupture of not less than 400 psi and a 7-day modulus of rupture of not less than 600 psi.

28-3.01D(1)(b) Preconstruction Meeting

Reserved

28-3.01D(1)(c) Test Strip

Reserved

28-3.01D(2) Quality Control

28-3.01D(2)(a) General

Reserved

28-3.01D(2)(b) Quality Control Manager

Reserved

28-3.01D(2)(c) Quality Control Testing

Test the rapid strength concrete base under the test methods and at the locations and frequencies shown in the following table:

Rapid Strength Concrete Base Sampling Location and Testing Frequencies

Quality characteristic	Test method	Sample Location	Minimum testing frequency ^a
Cleanness value	California Test 227	Source	1 per 500 cubic yards but at least 1 per shift
Sand equivalent	California Test 217		
Aggregate gradation	California Test 202		
Air content	California Test 504	Job site	1 per 130 cu yd but at least 1 per shift
Yield	California Test 518		1 per shift
Slump or penetration	ASTM C143 or California Test 533		1 per 2 hours of placement
Density	California Test 518		1 per shift
Aggregate moisture meter calibration ^b	California Test 223 or California Test 226		1 per shift
Modulus of rupture	California Test 524		1 per 130 cu yd but at least 1 per shift

^aTest at the most frequent interval.

^bCheck calibration of the plant moisture meter by comparing moisture meter readings with California Test 223 or California Test 226 test results.

Notify the Engineer at least 2 business days before any sampling and testing. Submit testing results within 15 minutes of testing completion. Record inspection, sampling, and testing on the forms accepted with the QC plan and submit them within 48 hours of completion of each day of production and within 24 hours of 7-day modulus of rupture tests.

During the placement of RSC base, fabricate beams and test for the modulus of rupture:

1. At opening age
2. At 7 days after placing the first 30 cu yd
3. At least once every 130 cu yd
4. Within the final truckload

Opening age tests must be performed in the presence of the Engineer.

28-3.01D(3) Department Acceptance

The Department accepts RSC base based on compliance with the requirements shown in the following table:

RSC Base Requirements for Acceptance		
Quality characteristic	Test method	Requirement
Modulus of rupture (min, psi at 7 days)	California Test 524	600

The Engineer adjust payment for RSC base for the 7-day modulus of rupture as follows:

1. Payment for a base with a modulus of rupture of 600 psi or greater is not adjusted.
2. Payment for a base with a modulus of rupture of less than 600 and greater than or equal to 550 psi is reduced by 5 percent.
3. Payment for a base with a modulus of rupture of less than 550 and greater than or equal to 500 psi is reduced by 10 percent.
4. Payment for a base with a modulus of rupture of less than 500 psi is not adjusted and no payment is made. Remove and replace this base.

Add to section 28-4.01C(1):

07-15-16

Submit a lean concrete base rapid setting QC plan.

Replace the headings and paragraphs in section 28-4.01D with:

07-15-16

28-4.01D Quality Assurance

28-4.01D(1) General

28-4.01D(1)(a) General

For compressive strength testing, prepare 6 cylinders under California Test 540. Test cylinders must be 6 by 12 inches. As an alternative to rodding, a vibrator may be used under California Test 524. Test cylinders under California Test 521 and perform 3 tests with each test consisting of 2 cylinders. The test result is the average from the 2 cylinders.

28-4.01D(1)(b) Field Qualification

Before placing lean concrete base rapid setting, you must perform field qualification testing and obtain authorization for each mix design. Retest and obtain authorization for changes to authorized mixed designs.

Proposed mix designs must be field qualified before you place the base represented by those mix designs. The technician performing the field test must hold current ACI certification as a Concrete Field Testing Technician-Grade I.

Notify the Engineer at least 5 days before field qualification. Perform field qualification within the job site or a location authorized.

Field qualification testing includes compressive strength, air content, and penetration or slump in compliance with the table titled "Lean Concrete Base Rapid Setting Requirements."

Field qualification must comply with the following:

1. Test for compressive strength at opening age and 7 days of age
2. At opening age, the compressive strength for each test must be at least 180 psi and the average strength for the 3 tests must be at least 200 psi
3. At 7 days age, the compressive strength for each test must be at least 600 psi and the average strength for the 3 tests must be at least 725 psi

28-4.01D(2) Quality Control

28-4.01D(2)(a) General

Reserved

28-4.01D(2)(b) Quality Control Manager

Reserved

28-4.01D(2)(c) Quality Control Testing

Test the base under the test methods and at the locations and frequencies shown in the following table:

LCB Rapid Setting Sampling Location and Testing Frequencies

Quality characteristic	Test method	Sampling location	Minimum sampling and testing frequency
Sand equivalent	ASTM D2419	Source	1 per 500 cu yd, minimum 1 per day of production
Aggregate gradation	ASTM C136		
Air content	ASTM C231	Job site	1 per 4 hours of placement work, plus one in the last hour of placement work
Penetration ^a	ASTM C360		
Slump ^a	ASTM C143		
Compressive strength	California Test 521		

^aTest either penetration or slump

During placement of lean concrete base rapid setting, fabricate cylinders and test compressive strength for opening age and 7 days. Opening age tests must be performed in the presence of the Engineer.

28-4.01D(3) Department Acceptance

The Department accepts LCB rapid setting based on compliance with the requirement shown in the following table:

LCB Rapid Setting Requirements for Acceptance

Quality characteristic	Test method	Requirement
Compressive strength (min, psi at 7 days)	California Test 521 ^a	725

^aCylinders made under California Test 540

Replace the 2nd and 3rd paragraphs in section 28-4.03A with:

07-15-16

Concrete paving operations with equipment not supported by the base may start before opening age. Do not open pavement for traffic before opening age of the LCB rapid setting.

Any other paving operations must start after the final set time of the base. The base must have a compressive strength of at least 450 psi under California Test 521 before:

1. Placing HMA
2. Placing other base material
3. Operating equipment on the base

Replace *Reserved* in section 28-5.01C with:

07-15-16

Submit a concrete base QC plan.

Replace the headings and paragraphs in section 28-5.01D(2) with:

07-15-16

28-5.01D(2) Quality Control

28-5.01D(2)(a) General

Reserved

28-5.01D(2)(b) Quality Control Manager

Reserved

28-5.01D(2)(c) Quality Control Testing

Test the concrete base under the test methods and at the locations and frequencies shown in the following table:

Concrete Base Sampling Location and Testing Frequencies

Quality characteristic	Test method	Sample location	Minimum testing frequency ^a
Cleanness value	California Test 227	Source	1 per 500 cubic yards but at least 1 per shift
Sand equivalent	California Test 217		
Aggregate gradation	California Test 202		
Air content	California Test 504	Job site	1 per 500 cu yd but at least 1 per shift
Yield	California Test 518		1 per shift
Slump or penetration	ASTM C143 or California Test 533		1 per 2 hours of placement
Density	California Test 518		1 per shift
Aggregate moisture meter calibration ^b	California Test 223 or California Test 226		1 per shift
Modulus of rupture	California Test 524		1 per 500 cu yd but at least 1 per shift

^aTest at the most frequent interval.

^bCheck calibration of the plant moisture meter by comparing moisture meter readings with California Test 223 or California Test 226 test results.

28-5.01D(3) Department Acceptance

The Department accepts a concrete base based on compliance with the requirements shown in the following table:

Concrete Base Requirements for Acceptance		
Quality characteristic	Test method	Requirement
Modulus of rupture (min, psi at 28 days)	California Test 523	570

Acceptance for the modulus of rupture is on a lot basis. The Department provides the molds and machines for the modulus of rupture acceptance testing. Provide any material and labor the Engineer may require for the testing.

^^^^^^^^^^^^^^^^^^^^^^^^^^^^^^^^^^^^^^^^^^^^^^^^^^^^^^^^^^^^^^^^^^^^^^^^^^^^^^^^^^^^

29 TREATED PERMEABLE BASES

07-15-16

Replace the headings and paragraphs in section 29-1.01 with:

07-15-16

29-1.01 GENERAL

29-1.01A Summary

Section 29-1 includes general specifications for constructing treated permeable bases.

29-1.01B Definitions

Reserved

29-1.01C Submittals

Submit a treated permeable base quality control plan.

29-1.01D Quality Assurance

29-1.01D(1) General

Reserved

29-1.01D(2) Quality Control

29-1.01D(2)(a) General

Reserved

29-1.01D(2)(b) Quality Control Plan

Reserved

29-1.01D(2)(c) Qualifications

Reserved

29-1.01D(3) Department Acceptance

Reserved

Replace the headings and paragraphs in section 29-2.01D with:

07-15-16

29-2.01D Quality Assurance

29-2.01D(1) General

The Engineer determines the asphalt content of the asphalt mixture under California Test 382. The bitumen ratio, pounds of asphalt per 100 lb of dry aggregate, must not vary more than 0.5 lb of asphalt above or below the quantity designated by the Engineer. Samples used to determine the bitumen ratio are obtained from trucks at the plant or from the mat behind the paver before rolling. If the sample is taken from the mat behind the paver, the bitumen ratio must not be less than the quantity designated by the Engineer, less 0.7 lb of asphalt per 100 lb of dry aggregate.

29-2.01D(2) Quality Control

29-2.01D(2)(a) General

Reserved

29-2.01D(2)(b) Quality Control Testing

ATPB quality control must include testing the quality characteristics at the frequencies shown in the following table:

QC Testing Frequencies

Quality characteristic	Test method	Sampling location	Minimum frequency
Gradation	California Test 202	Stockpiles or plant	1 for every 4 hours of production but at least one per day of placement
Cleanness value	California Test 227	Stockpiles or plant	1 for every 4 hours of production but at least one per day
Percentage of crushed particles	California Test 205	Stockpiles or plant	1 test before production and one every 5,000 cu yd thereafter
Los Angeles rattler loss at 500 rev	California Test 211	Stockpiles or plant	1 test before production and one every 5,000 cu yd thereafter
Film stripping	California Test 302	Plant	1 test before production and one every 5000 cu yd thereafter
Asphalt content of the asphalt mixture	California Test 382	Plant, transportation units, windrows, or roadway	1 for every 4 hours of production but at least one per day

29-2.01D(3) Department Acceptance

The Department accepts ATPB based on aggregate gradation, cleanness value, percent of crushed particles, Los Angeles rattler, film stripping and asphalt content requirements specified in section 29-2.02 and section 29-2.01D(1).

The Engineer takes samples for aggregate gradation, cleanness value, percent of crushed particles, Los Angeles rattler, and film stripping from the plant.

The Engineer takes samples for asphalt content of the asphalt mixture from any of the following locations:

1. Plant
2. Truck
3. Windrow

4. Roadbed

Replace the headings and paragraphs in section 29-3.01 with:

07-15-16

29-3.01 GENERAL

29-3.01A Summary

Section 29-3 includes specifications for constructing cement treated permeable bases.

29-3.01B Definitions

Reserved

29-3.01C Submittals

Reserved

29-3.01D Quality Assurance

29-3.01D(1) General

Reserved

29-3.01D(2) Quality Control

29-3.01D(2)(a) General

Reserved

29-3.01D(2)(b) Quality Control Testing

CTPB quality control must include testing the quality characteristics at the frequencies shown in the following table:

QC Testing Frequencies

Quality characteristic	Test method	Sampling location	Minimum frequency
Gradation	California Test 202	Stockpiles or plant	1 for every 4 hours of production but at least one per day of placement
Cleanness value	California Test 227	Stockpiles or plant	1 for every 4 hours of production but at least one per day
Los Angeles rattler loss at 500 rev	California Test 211	Stockpiles or plant	1 test before production and one every 5,000 cu yd thereafter
Soundness	California Test 214	Stockpiles or plant	1 test before production and one every 5,000 cu yd thereafter

29-3.01D(3) Department Acceptance

The Department accepts CTPB based on aggregate gradation, cleanness value, Los Angeles rattler and soundness requirements in section 29-3.02.

The Engineer takes samples for aggregate gradation, cleanness value, Los Angeles rattler and soundness from the plant.

Add to section 29-3.02A:

07-15-16

Water must comply with section 90-1.02D.

Replace 3rd in the 2nd paragraph in section 29-3.03 with:

07-15-16

4th

^^^^^^^^^^^^^^^^^^^^^^^^^^^^^^^^^^^^^^^^^^^^^^^^^^^^^^^^^^^^^^^^

30 RECLAIMED PAVEMENT

07-15-16

Replace section 30-1.01C(2)(c) in the 1st paragraph of section 30-3.01C(2)(c) with:

07-15-16

section 30-1.01C(3)(c)

Replace the table in section 30-3.02A with:

07-15-16

FDR—Foamed Asphalt Quality Characteristic Requirements

Quality characteristic	Test method	Requirement
Moisture content before HMA paving	California Test 226	< 50% of OMC
Asphalt binder expansion ratio (min, %)	Note a	10
Asphalt binder half-life (seconds, min)		12
Gradation (% passing) Sieve Size: 3 inch 2 inch 1-1/2 inch	California Test 202	100 95–100 85–100
Moisture content Maximum Minimum	California Test 226	OMC OMC - 2%
In-place wet density (lb/cu ft)	California Test 216	Report only
Relative compaction (min, %)	California Test 231	98
Indirect dry tensile strength (psi) ^b	California Test 371	90% of mix design value
Indirect wet tensile strength (psi) ^b	California Test 371	90% of mix design value
Tensile strength ratio (%)	California Test 371	90% of mix design value

^aTest at the foaming temperature and percentage of foaming water by dry weight of FDR—foamed asphalt material designated in the mix design. To test asphalt binder expansion ratio and half-life, use a pail of known volume and a dipstick calibrated for the pail. From the inspection nozzle on the asphalt binder spray bar, inject foamed asphalt into the pail without exceeding the pail's capacity. With the dipstick, immediately measure and record the level of foamed asphalt in the pail. Record the half-life in seconds from the time the injection of foamed asphalt in the pail is turned off to half the dip stick reading after peak. Calculate the expansion ratio as the volume of the foamed asphalt upon injection divided by the volume of the unfoamed asphalt binder.

^bFrom material passing the 1-inch sieve, compact 6 specimens under California Test 304, Part 2. Cure the specimens at 100 °F for 72 hours and allow the specimens to cool to room temperature. Test 3 specimens for dry tensile strength under California Test 371. Test 3 specimens for wet tensile strength under California Test 371 after moisture conditioning.

Replace *section 30-4.01D(3)* in the 2nd paragraph of section 30-4.01D(1) with:

07-15-16

section 30-4.01D(4)

Replace *section 30-4.01D(1)(a)* in the table in section 30-4.02A with:

07-15-16

section 30-4.01D(2)

DIVISION V SURFACINGS AND PAVEMENTS

37 BITUMINOUS SEALS

07-15-16

Replace section 37 with:

07-15-16

37 SEAL COATS

37-1 GENERAL

37-1.01 GENERAL

37-1.01A Summary

Section 37-1 includes general specifications for applying seal coats.

37-1.01B Definitions

Reserved

37-1.01C Submittals

At least 10 days before the preconstruction meeting submit a list of participants in the preconstruction meeting. Provide each participant's name, employer, title, and role in the production and placement of the seal coats.

At least 10 days before starting seal coat activities, submit the names of the authorized laboratories for quality control testing.

For each delivery of asphalt binder or asphaltic emulsion to the job site, submit a certificate of compliance and a copy of the specified test results.

For a seal coat that uses crumb rubber modifier, submit a Crumb Rubber Usage Report form monthly and at the end of project.

37-1.01D Quality Assurance

37-1.01D(1) General

For aggregate testing, quality control laboratories must be in compliance with the Department's Independent Assurance Program to be an authorized laboratory. Quality control personnel must be qualified under the Department's Independent Assurance Program.

For emulsion testing, quality control laboratories must participate in the AASHTO Material's Reference Laboratory proficiency sample program.

37-1.01D(2) Preconstruction Meeting

Hold a preconstruction meeting within 5 days before start of seal coat work at a mutually agreed time and place with the Engineer and your:

1. Project superintendent
2. Project foreman
3. Traffic control foreman

Make arrangements for the conference facility. Preconstruction meeting participants must sign an attendance sheet provided by the Engineer. Be prepared to discuss:

1. Quality control testing
2. Acceptance testing
3. Seal coat placement

4. Proposed application rates for asphaltic emulsion or asphalt binder and aggregate.
5. Training on placement methods
6. Checklist of items for proper placement
7. Unique issues specific to the project, including:
 - 7.1. Weather
 - 7.2. Alignment and geometrics
 - 7.3. Traffic control requirements
 - 7.4. Haul distances
 - 7.5. Presence and absence of shaded areas
 - 7.6. Any other local conditions
8. Contingency plan for material deliveries, equipment breakdowns, and traffic handling
9. Who in the field has authority to adjust application rates and how adjustments will be documented
10. Schedule of sweepings

37-1.02 MATERIALS

Not Used

37-1.03 CONSTRUCTION

37-1.03A General

If seal coat activities affect access to public parking, residential property, or commercial property, post signs at 100-foot intervals on the affected streets. Signs must display *No Parking – Tow Away*. Signs must state the dates and hours parking or access will be restricted. Notify residents, businesses, and local agencies at least 24 hours before starting activities. The notice must:

1. Describe the work to be performed
2. Detail streets and limits of activities
3. Indicate dates and work hours
4. Be authorized

Asphaltic emulsion or asphalt binder for seal coats may be reheated if necessary. After loading the asphaltic emulsion or asphalt binder into a truck for transport to the job site, do not heat asphaltic emulsion above 160 degrees F and asphalt rubber binder above 425 degrees F. During reheating, circulate or agitate the asphaltic emulsion or asphalt binder to prevent localized overheating.

Except for fog seals, apply quick setting Grade 1 asphaltic emulsions at a temperature from 75 to 130 degrees F and apply quick setting Grade 2 asphaltic emulsions at a temperature from 110 to 185 degrees F.

You determine the application rates for asphaltic emulsion or asphalt binder and aggregate and the Engineer authorizes the application rates.

37-1.03B Equipment

A self-propelled distributor truck for applying asphaltic emulsion or asphalt binder must be equipped with:

1. Pressure-type system with insulated tanks with circulating unit
2. Spray bars:
 - 2.1. With minimum length of 9 feet and full-circulating type
 - 2.2. With full-circulating-type extensions if needed to cover a greater width
 - 2.3. Adjustable to allow positioning at various heights above the surface to be treated
 - 2.4. Operated by levers such that 1 or all valves may be quickly opened or closed in one operation
3. Devices and charts to provide for accurate and rapid determination and control of asphaltic emulsion or asphalt binder quantities being applied. Include an auxiliary wheel type meter that registers:
 - 3.1. Speed in ft/min

- 3.2. Trip by count
- 3.3. Total distance in feet
- 4. Distribution system:
 - 4.1. Capable of producing a uniform application of asphaltic emulsion or asphalt binder in controlled quantities ranging from 0.02 to 1 gal/sq yd of surface and at a pressure ranging from 25 to 75 psi
 - 4.2. Pumps that spray asphaltic emulsion or asphalt binder within 0.02 gal/sq yd of the set rate
 - 4.3. With a hose and nozzle for application of asphaltic emulsion to areas inaccessible to the spray bar
 - 4.4. With pressure gauges and a thermometer for determining temperatures of the asphaltic emulsion or asphalt binder

You may use cab-controlled valves for the application of asphaltic emulsion or asphalt binder. The valves controlling the flow from nozzles must act positively to provide a uniform unbroken application of asphaltic emulsion or asphalt binder.

Maintain distributor and storage tanks at all times to prevent dripping.

37-1.04 PAYMENT

Not Used

37-2 CHIP SEALS

37-2.01 GENERAL

37-2.01A General

37-2.01A(1) Summary

Section 37-2.01 includes general specifications for applying chip seals.

37-2.01A(2) Definitions

Reserved

37-2.01A(3) Submittals

At least 15 days before starting placement of chip seal, submit:

- 1. Samples for:
 - 1.1. Asphaltic emulsion chip seal, two 1-quart wide mouth plastic containers with screw top lid of asphaltic emulsion
 - 1.2. Polymer modified asphaltic emulsion chip seal, two 1-quart wide mouth plastic containers with screw top lid of polymer modified asphaltic emulsion
 - 1.3. Asphalt rubber binder chip seal, two 1-quart cans of base asphalt binder
 - 1.4. Asphalt rubber binder chip seal, five 1-quart cans of asphalt rubber binder
- 2. Asphaltic emulsion, polymer modified asphaltic emulsion, asphalt binder or asphalt rubber binder data as follows:
 - 2.1. Supplier and Type/Grade of asphaltic emulsion or asphalt binder
 - 2.2. Type of modifier used including polymer or crumb rubber or both
 - 2.3. Percent of crumb rubber, if used as modifier
 - 2.4. Copy of the specified test results for asphaltic emulsion or asphalt binder
- 3. 50 lb of uncoated aggregate
- 4. Aggregate test results for the following:
 - 4.1. Gradation
 - 4.2. Los Angeles Rattler
 - 4.3. Percent of crushed particles
 - 4.4. Flat and elongated particles

- 4.5. Film stripping
- 4.6. Cleanness value
- 4.7. Durability
- 5. Vialit test results

Submit quality control test results for the quality characteristics within the reporting times allowance after sampling shown in the following table:

Quality Control Test Result Reporting	
Quality characteristic	Maximum reporting time allowance
Los Angeles Rattler loss (max, %)	48 hours
Percent of crushed particles (min, %)	48 hours
Flat and elongated particles (max by weight at 3:1, %)	48 hours
Film stripping (max, %)	48 hours
Durability (min)	48 hours
Gradation (percentage passing)	24 hours
Cleanness value (min)	24 hours
Asphaltic emulsion spread rate (gal/sq yd)	24 hours

Within 3 days after taking asphaltic emulsion or asphalt binder quality control samples, submit the authorized laboratory's test results.

37-2.01A(4) Quality Assurance

37-2.01A(4)(a) General

Reserved

37-2.01A(4)(b) Quality Control

37-2.01A(4)(b)(i) General

Reserved

37-2.01A(4)(b)(ii) Aggregate

All tests must be performed on uncoated aggregate except for film stripping which must be performed on precoated aggregate.

For aggregate, the authorized laboratory must perform sampling and testing at the specified frequency and location for the following quality characteristics:

Aggregate Quality Control Requirements

Quality characteristic	Test method	Minimum sampling and testing frequency	Location of sampling
Los Angeles Rattler loss (max, %) At 100 revolutions At 500 revolutions	California Test 211	1st day of production	See California Test 125
Percent of crushed particles Coarse aggregate (min, %) One-fractured face Two-fractured faces Fine aggregate (min, %) (Passing No. 4 sieve and retained on No. 8 sieve) One fractured face	AASHTO T 335	1st day of production	See California Test 125
Flat and elongated particles (max by weight at 3:1, %)	ASTM D4791	1st day of production	See California Test 125
Film stripping (max, %)	California Test 302	1st day of production	See California Test 125
Durability (min)	California Test 229	1st day of production	See California Test 125
Gradation (% passing)	California Test 202	2 per day	See California Test 125
Cleanness value (min)	California Test 227	2 per day	See California Test 125

37-2.01A(4)(b)(iii) Chip Seals

For a chip seal, the authorized laboratory must perform sampling and testing at the specified frequency and location for the following quality characteristics:

Chip Seal Quality Control Requirements

Quality characteristic	Test method	Minimum sampling and testing frequency	Location of sampling
Asphaltic emulsion binder spread rate (gal/sq yd)	California Test 339	1 per day per distributor truck	Pavement surface

37-2.01A(4)(c) Department Acceptance

Department Acceptance shall not apply to identified areas where the existing surfacing before application of chip seal, contains defective areas as determined by the Engineer and Contractor. At least 7 days before starting placement of the chip seal, the Contractor shall submit a written list of existing defective areas, identifying the lane direction, lane number, starting and ending highway post mile locations, and defect type. The Engineer must agree on which of the identified areas are defective.

Defective areas are defined as one of the following:

1. Areas with wheel path rutting in excess of 3/8 inch when measured by placing a straightedge 12 feet long on the finished surface perpendicular to the center line and measuring the vertical distance between the finished surface and the lower edge of the straightedge
2. Areas exhibiting flushing

For a chip seal, acceptance is based on visual inspection for the following:

1. Uniform surface texture
2. Raveling, which consists of the separation of the aggregate from the asphaltic emulsion or asphalt binder
3. Flushing, which consists of the occurrence of a film of asphaltic material on the surface of the chip seal.
4. Streaking, which consists of alternating longitudinal bands of asphaltic emulsion or asphalt binder without uniform aggregate retention, approximately parallel with the lane line.

Areas of raveling, flushing or streaking that are greater than 0.5 sq ft shall be considered defective and must be repaired.

Raveling and streaking must be repaired by placing an additional layer of chip seal over the defective area.

For asphaltic emulsion or asphalt binder, acceptance is based on the Department's sampling and testing for compliance with the requirements for the quality characteristics specified.

For aggregate, acceptance is based on the Department's sampling and testing for compliance with the requirements shown in the following table:

Chip Seal Aggregate Acceptance Criteria

Quality characteristic	Test method	Requirements
Los Angeles Rattler loss (max, %) At 100 revolutions At 500 revolutions	California Test 211	10 40
Percent of crushed particles: Coarse aggregate (min, %) One-fractured face Two-fractured faces Fine aggregate (min, %) (Passing No. 4 sieve and retained on No. 8 sieve) One fractured face	AASHTO T 335	95 90 70
Flat and elongated particles (max by weight at 3:1, %)	ASTM D4791	10
Film stripping (max, %)	California Test 302	25
Durability (min)	California Test 229	52
Gradation (% passing by weight)	California Test 202	Aggregate Gradation table shown under Materials for the chip seal type specified.
Cleanness value (min)	California Test 227	80

If test results for the aggregate gradation do not comply with specifications, you may remove the chip seal represented by these tests or request that it remain in place with a payment deduction. The deduction is \$1.75 per ton for the aggregate represented by the test results.

If test results for aggregate cleanness value do not comply with the specifications, you may remove the chip seal represented by these tests or you may request that the chip seal remain in place with a pay deduction corresponding to the cleanness value shown in the following table:

Chip Seal Cleanness Value Deductions

Cleanness value	Deduction
80 or over	None
79	\$2.00 /ton
77-78	\$4.00 /ton
75-76	\$6.00 /ton

If the aggregate cleanness value is less than 75, remove the chip seal.

37-2.01B Materials

37-2.01B(1) General

Reserved

37-2.01B(2) Asphaltic Emulsions and Asphalt Binders

Reserved

37-2.01B(3) Aggregate

37-2.01B(3)(a) General

Aggregate must be broken stone, crushed gravel, or both.

Aggregate must comply with the requirements shown in the following table:

Chip Seal Aggregate Requirements

Quality characteristic	Test method	Requirements
Los Angeles Rattler loss (max, %)		
At 100 revolutions	California Test 211	10
At 500 revolutions		40
Percent of crushed particles	AASHTO T 335	
Coarse aggregate (min, %)		
One-fractured face		95
Two-fractured faces		90
Fine aggregate (min, %)		
(Passing No. 4 sieve and retained on No. 8 sieve)		
One fractured face		70
Flat and elongated particles (max by weight at 3:1, %)	ASTM D4791	10
Film stripping (max, %)	California Test 302	25
Durability (min)	California Test 229	52
Gradation (% passing by weight)	California Test 202	Aggregate Gradation table shown under Materials for the chip seal type specified.
Cleanness value (min)	California Test 227	80

The authorized laboratory must conduct the Vialit test using the proposed asphaltic emulsion or asphalt binder and aggregate for compliance with the requirements shown in the following table:

Chip Retention Requirements

Quality characteristic	Test method	Requirement
Chip retention (%)	Vialit test method for aggregate in chip seals, French chip (Modified) ^a	95

^aThe asphaltic emulsion or asphalt binder must be within the field placement temperature range and application rate during specimen preparation. For asphalt binder cure the specimen for first 2 hours at 100 °F.

37-2.01B(3)(b) Precoated Aggregate

Precoating of aggregate must be performed at a central mixing plant. The plant must be authorized under the Department's *MPQP*.

When precoating aggregate, do not recombine fine materials collected in dust control systems.

Precoated aggregate must be preheated from 260 to 325 degrees F. Coat with any of the asphalts specified in the table titled "Performance Graded Asphalt Binder" in section 92. The asphalt must be from 0.5 to 1.0 percent by weight of dry aggregate. You determine the exact asphalt rate for precoating of aggregate.

Do not stockpile precoated aggregate.

37-2.01C Construction

37-2.01C(1) General

For chip seals on 2-lane, 2-way roadways, place a W8-7 (LOOSE GRAVEL) sign and a W13-1 (35) plaque at 2,000-foot maximum intervals along each side of the traveled way where aggregate is spread on a traffic lane and at public roads or streets entering the chip seal area. Place the 1st W8-7 sign in each direction where traffic first encounters the loose aggregate, regardless of which lane the aggregate is spread on. A W13-1 (35) plaque is not required where the posted speed limit is less than 40 mph.

For chip seals on freeways, expressways, and multilane conventional highways, place a W8-7, (LOOSE GRAVEL) sign and a W13-1 (35) plaque at 2,000-foot maximum intervals along the outside edge of the traveled way nearest to the lane worked on, at on ramps, and at public roads or streets entering the chip seal area. Place the 1st W8-7 sign where the aggregate starts with respect to the direction of travel on that lane. A W13-1 (35) plaque is not required where the posted speed limit is less than 40 mph.

Pilot cars must have cellular or radio contact with other pilot cars and personnel in the work zone. The maximum speed of the pilot cars convoying or controlling traffic through the traffic control zone must be 15 mph on 2-lane, two-way highways and 25 mph on multilane divided and undivided highways. Pilot cars must only use traffic lanes open to traffic.

On the days that closures are not allowed, you may use a moving closure to maintain the seal coat surface. The moving closure is only allowed during daylight hours when traffic will be the least inconvenienced and delayed. The Engineer determines the hours for the moving closure.

Maintain signs in place at each location until the final sweeping of the chip seal surface for that location is complete. Signs may be set on temporary portable supports with the W13-1 sign below the W8-7 sign or on barricades with the W13-1 sign alternating with the W8-7 sign.

Schedule chip seal activities so that the chip seals are placed on both lanes of the traveled way each work shift.

If traffic is routed over a surface where a chip seal application is intended, the chip seal must not be applied to more than half the width of the traveled way at a time, and the remaining width must be kept free of obstructions and open to traffic until the previously applied width is ready for traffic use.

Wherever maintenance sweeping of the chip seal surface is complete, place permanent traffic stripes and pavement markings within 10 days.

If you fail to place the permanent traffic stripes and pavement markings within the specified time, the Department withholds 50 percent of the estimated value of the chip seal work completed that has not received permanent traffic stripes and pavement markings.

37-2.01C(2) Equipment

Equipment for chip seals must include and comply with the following:

1. Aggregate haul trucks must have:
 - 1.1. Tailgate that discharge aggregate
 - 1.2. Device to lock onto the rear aggregate spreader hitch
 - 1.3. Dump bed that will not push down on the spreader when fully raised
 - 1.4. Dump bed that will not spill aggregate on the roadway when transferred to the spreader hopper
 - 1.5. Tarpaulin to cover precoated aggregate when haul distance exceeds 30 minutes or ambient temperature is less than 65 degrees F
2. Self-propelled aggregate spreaders must have:
 - 2.1. Aggregate hopper in the rear
 - 2.2. Belt conveyor that carries the aggregate to the front
 - 2.3. Spreading hopper capable of providing a uniform aggregate spread rate over the entire width of the traffic lane in 1 application.
3. Self-propelled power brooms must:
 - 3.1. Not be steel-tined brooms on emulsion chip seals
 - 3.2. Be capable of removing loose aggregate adjacent to barriers that prevent aggregate from being swept off the roadway, including curbs, gutters, dikes, berms, and railings
4. Pneumatic or foam filled rubber tired rollers must:
 - 4.1. Be an oscillating type at least 4 feet wide
 - 4.2. Be self-propelled and reversible
 - 4.3. Have tires of equal size, diameter, type, and ply
 - 4.4. Carry at least 3,000 lbs of load on each wheel
 - 4.5. Have tires with an air pressure of 100 ± 5 psi or be foam filled

37-2.01C(3) Surface Preparation

Before applying chip seals, cover manholes, valve and monument covers, grates, or other exposed facilities located within the area of application, using a plastic or oil resistant construction paper secured by tape or adhesive to the facility being covered. Reference the covered facilities with enough control points to relocate the facilities after the application of the chip seal.

Immediately before applying chip seals, clean the surface to receive a chip seal by removing any extraneous material affecting adhesion of the chip seal with the existing surface and drying. Use self-propelled power brooms to clean the existing pavement.

37-2.01C(4) Placement

37-2.01C(4)(a) General

Schedule the operations so that chip seals are placed on both lanes of the traveled way each work shift. At the end of the work shift, the end of the chip seals on both lanes must generally match.

37-2.01C(4)(b) Applying Asphaltic Emulsions or Asphalt Binders

Prevent spraying on existing pavement not intended for chip seals or on previously applied chip seals using a material such as building paper. Remove the material after use.

Align longitudinal joints between chip seal applications with designated traffic lanes.

For asphaltic emulsion or asphalt binder, overlap longitudinal joints by not more than 4 inches. You may overlap longitudinal joints up to 8 inches if authorized.

For areas not accessible to a truck distributor bar apply:

1. Asphaltic emulsions by hand spraying
2. Asphalt binders with a squeegee or other authorized means

You may overlap the asphaltic emulsion or asphalt binder applications before the application of aggregate at longitudinal joints.

Do not apply the asphaltic emulsion or asphalt binder unless there is sufficient aggregate at the job site to cover the asphaltic emulsion or asphalt binder.

Discontinue application of asphaltic emulsion or asphalt binder early enough to comply with lane closure requirements. Apply to 1 lane at a time and cover the lane width entirely in 1 operation.

37-2.01C(4)(c) Spreading Aggregates

37-2.01C(4)(c)(i) General

Prevent vehicles from driving on asphaltic emulsion or asphalt binder before spreading aggregate.

Spread aggregate within 10 percent of your determined rate.

Spread aggregate at a uniform rate over the full lane width in 1 application. Apply to 1 lane at a time.

Sweep excess aggregate at joints before spreading adjacent aggregate.

Operate the spreader at speeds slow enough to prevent aggregate from rolling over after dropping.

If the spreader is not moving, aggregate must not drop. If you stop spreading and aggregate drops, remove the excess aggregate before resuming activities.

37-2.01C(4)(c)(ii) Precoated Aggregate Application

During transit, cover precoated aggregate with tarpaulins if the ambient air temperature is below 65 degrees F or the haul time exceeds 30 minutes.

When applied, precoated aggregate must be from 225 to 325 degrees F.

37-2.01C(4)(d) Finishing

37-2.01C(4)(d)(i) General

Remove piles, ridges, or unevenly distributed aggregate. Repair permanent ridges, bumps, streaks or depressions in the finished surface. Spread additional aggregate and roll if aggregate is picked up by rollers or vehicles.

Chip seal joints between adjacent applications of a chip seal must be smooth, straight, uniform, and completely covered.

A coverage is 1 roller movement over the entire width of lane. A pass is 1 roller movement parallel to the chip seal application in either direction. Overlapping passes are part of the coverage being made and are not part of a subsequent coverage. Do not start a new coverage until completing the previous coverage.

Before opening to traffic, finish the chip seals in the following sequence:

1. Perform initial rolling consisting of 1 coverage with a pneumatic-tired roller
2. Perform final rolling consisting of 2 coverages with a pneumatic-tired roller
3. Sweep excess aggregate from the roadway and adjacent abutting areas

4. Apply a flush coat if specified
5. Remove covers from the facilities

37-2.01C(4)(d)(ii) Traffic Control With Pilot Car

For 2-lane 2-way roadways under 1-way traffic control, upon completion of final rolling, traffic must be controlled with pilot cars and routed over the new chip seal for a period of 2 to 4 hours before opening the lane to traffic not controlled with pilot cars.

For multilane roadways, when traffic is controlled with pilot cars, a maximum of 1 lane in the direction of travel must be open to traffic. Traffic must be controlled with pilot cars and be routed on the new chip seal surface of the lane for a minimum of 2 hours after completion of the initial sweeping and before opening the lane to traffic not controlled with pilot cars. Once traffic controlled with pilot cars is routed over the chip seal at a particular location, continuous control must be maintained at that location until the chip seal placement and sweeping on adjacent lanes to receive a chip seal is completed.

37-2.01C(4)(d)(iii) Sweeping

Sweeping must be performed after the chip seal has set and there is no damage or dislodging of aggregate from the chip seal surface. As a minimum, sweeping is required at the following times:

1. On 2-lane 2-way roadways, from 2 to 4 hours after traffic, controlled with pilot cars, has been routed on the chip seal
2. On multilane roadways, from 2 to 4 hours after aggregate have been placed
3. In addition to previous sweeping, perform final sweeping immediately before opening any lane to public traffic, not controlled with pilot cars

37-2.01C(4)(d)(iv) Excess Aggregate

Dispose of excess aggregate. If ordered, salvaging and stockpiling of excess aggregate is change order work.

37-2.01C(4)(e) Chip Seal Maintenance

Perform sweeping on the morning following the application of aggregate on any lane that has been open to traffic not controlled with pilot cars and before starting any other activities.

Chip seal surfaces must be maintained for 4 consecutive days from the day aggregate is applied. Maintenance must include sweeping to maintain a surface free of loose aggregate and to prevent formation of corrugations. Sweeping must not dislodge aggregate set in asphaltic emulsion or asphalt binder.

After 4 consecutive days, excess aggregate must be removed from the paved areas.

37-2.01D Payment

If there is no bid item for traffic control system, furnishing and using a pilot car is included in the various items of the work involved in applying the chip seal.

The payment quantity for precoated aggregate is the weight measured after the aggregate is preheated and precoated with asphalt binder.

If recorded batch weights are printed automatically, the payment quantity for aggregate is the weight determined from the printed batch weights if:

1. Total weight for the precoated aggregate per batch is printed
2. Total asphalt binder weight per batch is printed
3. Zero tolerance weight is printed before weighing the first batch and after weighing the last batch for each truckload
4. Time, date, mix number, load number, and truck identification are correlated with a load slip
5. Copy of the recorded batch weights is certified by a licensed weighmaster

37-2.02 ASPHALTIC EMULSION CHIP SEALS

37-2.02A General

37-2.02A(1) Summary

Section 37-2.02 includes specifications for applying asphaltic emulsion chip seals. An asphaltic emulsion chip seal includes applying an asphaltic emulsion, followed by aggregate, and then a flush coat.

A double asphaltic emulsion chip seal is the application of an asphaltic emulsion followed by aggregate, applied twice in sequence and then a flush coat.

37-2.02A(2) Definitions

Reserved

37-2.02A(3) Submittals

Immediately after sampling, submit two 1-quart plastic containers of asphaltic emulsion taken in the presence of the Engineer. Samples must be submitted in insulated shipping container.

37-2.02A(4) Quality Assurance

37-2.02A(4)(a) General

Reserved

37-2.02A(4)(b) Quality Control

37-2.02A(4)(b)(i) General

Reserved

37-2.02A(4)(b)(ii) Asphaltic Emulsions

Circulate asphaltic emulsion in the distributor truck before sampling. Take samples from the distributor truck at mid load or from a sampling tap or thief. Before taking samples, draw and dispose of 1 gallon. In the presence of the Engineer, take two 1-quart samples in a plastic container with lined sealed lid for acceptance testing.

For asphaltic emulsion, the authorized laboratory must perform quality control sampling and testing at the specified frequency and location for the following quality characteristics:

Asphaltic Emulsion

Quality characteristic	Test method	Minimum sampling and testing frequency	Sampling location
Saybolt Furol Viscosity, at 25 °C (Saybolt Furol seconds)	AASHTO T 59	Minimum 1 per day per delivery truck	Distributor truck
Sieve Test (%)			
Storage stability, 1 day (%)			
Residue by distillation (%)			
Particle charge ^a			
Tests on Residue from Distillation Test:			
Penetration, 25 °C	AASHTO T 49	Minimum 1 per day per delivery truck	Distributor truck
Ductility	AASHTO T 51		
Solubility in trichloroethylene	AASHTO T 44		

^aIf the result of the particle charge is inconclusive, the asphaltic emulsion must be tested for pH under ASTM E70. Grade QS1h asphaltic emulsion must have a minimum pH of 7.3. Grade CQS1h asphaltic emulsion must have a maximum pH of 6.7.

37-2.02A(4)(c) Department Acceptance

Aggregate acceptance is based on the Department’s sampling and testing for compliance with the requirements shown in the following table:

Aggregate Gradation Acceptance Criteria

Quality characteristic	Test method	Requirement		
Gradation (% passing by weight)	California Test 202	3/8"	5/16"	1/4"
Sieve size:				
3/4"		--	--	--
1/2"		100	--	--
3/8"		85–100	100	100
No. 4		0–15	0–50	60–85
No. 8		0–5	0–15	0–25
No. 16		--	0–5	0–5
No. 30		--	0–3	0–3
No. 200	0–2	0–2	0–2	

37-2.02B Materials

37-2.02B(1) General

Reserved

37-2.02B(2) Asphaltic Emulsions

Reserved

37-2.02B(3) Aggregate

Aggregate gradation for an asphaltic emulsion chip seal must comply with the requirements shown in the following table:

Asphaltic Emulsion Chip Seal Aggregate Gradation

Quality characteristic	Test method	Requirement		
Gradation (% passing by weight)	California Test 202	3/8"	5/16"	1/4"
Sieve size:				
3/4"		--	--	--
1/2"		100	--	--
3/8"		85–100	100	100
No. 4		0–15	0–50	60–85
No. 8		0–5	0–15	0–25
No. 16		--	0–5	0–5
No. 30		--	0–3	0–3
No. 200	0–2	0–2	0–2	

37-2.02C Construction

37-2.02C(1) General

Reserved

37-2.02C(2) Asphaltic Emulsions

Asphaltic emulsions must be applied within the application rate ranges shown in the following table:

Asphaltic Emulsion Application Rates

Aggregate gradation	Application rate range (gal/sq yd)
3/8"	0.30–0.45
5/16"	0.25–0.35
1/4"	0.20–0.30

For double asphaltic emulsion chip seals, the asphaltic emulsions must be applied within the application rates shown in the following table:

Asphaltic Emulsion Application Rates

Double chip seals	Application rate range (gal/sq yd)
1st application	0.30–0.45
2nd application	0.20–0.30

When applied, the temperature of the asphaltic emulsions must be from 130 to 180 degrees F.

Apply asphaltic emulsions when the ambient air temperature is from 65 to 110 degrees F and the pavement surface temperature is at least 80 degrees F.

Do not apply asphaltic emulsions when weather forecasts predict the ambient air temperature will fall below 39 degrees F within 24 hours after application.

37-2.02C(3) Spreading Aggregates

Aggregate must be spread within the spread rate ranges shown in the following table:

Aggregate Spread Rates

Aggregate gradation	Spread rate range (lb/sq yd)
3/8"	20–30
5/16"	16–25
1/4"	12–20

For double asphaltic emulsion chip seals, aggregate must be spread within the spread rate ranges shown in the following table:

Aggregate Spread Rates

Double chip seal	Spread rate range (lb/sq yd)
1st application	23–30
2nd application	12–20

Remove excess aggregate on the 1st application before the 2nd application of asphaltic emulsion.

You may stockpile aggregate for asphaltic emulsion chip seals if you prevent contamination. Aggregate must have a damp surface at spreading. If water visibly separates from the aggregate, do not spread. You may re-dampen aggregate in the delivery vehicle.

Spread aggregate before an asphaltic emulsion sets or breaks.

Do not spread aggregate more than 2,500 feet ahead of the completed initial rolling.

37-2.02D Payment

Not Used

37-2.03 POLYMER MODIFIED ASPHALTIC EMULSION CHIP SEALS

37-2.03A General

37-2.03A(1) Summary

Section 37-2.03 includes specifications for applying polymer modified asphaltic emulsion chip seals. A polymer modified asphaltic emulsion chip seal includes applying a polymer modified asphaltic emulsion, followed by aggregate, and then a flush coat.

A double polymer modified asphaltic emulsion chip seal is the application of a polymer modified asphaltic emulsion followed by aggregate, applied twice in sequence and then a flush coat.

37-2.03A(2) Definitions

Reserved

37-2.03A(3) Submittals

Immediately after sampling, submit two 1-quart cans of polymer modified asphaltic emulsion taken in the presence of the Engineer. A sample must be submitted in an insulated shipping container.

37-2.03A(4) Quality Assurance

37-2.03A(4)(a) General

Reserved

37-2.03A(4)(b) Quality Control

37-2.03A(4)(b)(i) General

Reserved

37-2.03A(4)(b)(ii) Polymer Modified Asphaltic Emulsions

Circulate polymer modified asphaltic emulsions in the distributor truck before sampling. Take samples from the distributor truck at mid load or from a sampling tap or thief. Before taking samples, draw and dispose of 1 gallon. In the presence of the Engineer, take two 1-quart samples for acceptance testing.

For polymer modified asphaltic emulsions, the authorized laboratory must perform quality control sampling and testing at the specified frequency and location for the following quality characteristics:

Polymer Modified Asphaltic Emulsion

Quality characteristic	Test method	Minimum sampling and testing frequency	Sampling location
Saybolt Furol Viscosity, at 50 °C (Saybolt Furol seconds)	AASHTO T 59	Minimum 1 per day per delivery truck	Distributor truck
Settlement, 5 days (max, %)			
Storage stability test, 1 day (max, %)			
Sieve test (max, %)			
Demulsibility (min, %)			
Particle charge			
Ash content (max, %)			
Residue by evaporation (min, %)	California Test 331		
Tests on residue from evaporation test:			
Penetration, 25 °C	AASHTO T 49	Minimum 1 per day per delivery truck	Distributor truck
Penetration, 4 °C, 200g for 60 seconds	AASHTO T 49		
Ductility, 25 °C (min, mm)	AASHTO T 51		
Torsional recovery (min, %)	California Test 332		
Ring and Ball Softening Point (min, °F)	AASHTO T 53		

37-2.03A(4)(c) Department Acceptance

Aggregate acceptance is based on the Department’s sampling and testing for compliance with the requirements shown in the following table:

Aggregate Gradation Acceptance Criteria

Quality characteristic	Test method	Requirement		
		3/8"	5/16"	1/4"
Gradation (% passing by weight)	California Test 202	3/8"	5/16"	1/4"
Sieve size:				
3/4"		--	--	--
1/2"		100	--	--
3/8"		85–100	100	100
No. 4		0–15	0–50	60–85
No. 8		0–5	0–15	0–25
No. 16		--	0–5	0–5
No. 30		--	0–3	0–3
No. 200		0–2	0–2	0–2

37-2.03B Materials

37-2.03B(1) General

Reserved

37-2.03B(2) Polymer Modified Asphaltic Emulsions

A polymer modified asphaltic emulsion must include elastomeric polymer.

A polymer modified asphaltic emulsion must be Grade PMRS2, PMRS2h, PMCRS2, or PMCRS2h. Polymer content in percent by weight does not apply.

A polymer modified asphaltic emulsion must comply with section 94 and the quality characteristic requirements in the following table:

Polymeric Asphaltic Emulsion

Quality characteristic	Test method	Requirement
Penetration, 4 °C, 200g for 60 seconds (min)	AASHTO T 49	6
Ring and Ball Softening Point (min, °F)	AASHTO T 53	135

37-2.03B(3) Aggregate

The aggregate gradation for a polymer modified asphaltic emulsion chip seal must comply with the requirements shown in the following table:

Asphaltic Emulsion Chip Seal Aggregate Gradation

Quality characteristic	Test method	Requirement		
Gradation (% passing by weight) Sieve Size	California Test 202	3/8"	5/16"	1/4"
3/4"		--	--	--
1/2"		100	--	--
3/8"		85–100	100	100
No. 4		0–15	0–50	60–85
No. 8		0–5	0–15	0–25
No. 16		--	0–5	0–5
No. 30		--	0–3	0–3
No. 200		0–2	0–2	0–2

37-2.03C Construction

Polymer modified asphaltic emulsions must be applied within the application rate ranges shown in the following table:

Polymer Modified Asphaltic Emulsion Application Rates

Aggregate gradation	Application rate range (gal/sq yd)
3/8"	0.30–0.45
5/16"	0.25–0.35
1/4"	0.20–0.30

For double polymer modified asphaltic emulsion chip seals, polymer modified asphaltic emulsions must be applied within the application rates shown in the following table:

Polymer Modified Asphaltic Emulsion Application Rates

Double application	Application rate range (gal/sq yd)
1st application	0.30–0.45
2nd application	0.20–0.30

Apply polymer modified asphaltic emulsions when the ambient air temperature is from 60 to 105 degrees F and the pavement surface temperature is at least 80 degrees F.

Do not apply polymer modified asphaltic emulsions when weather forecasts predict the ambient air temperature will fall below 39 degrees F within 24 hours after application.

Aggregate must be spread within the spread rate ranges shown in the following table:

Aggregate Spread Rates

Chip seal type	Spread rate range (lb/sq yd)
3/8"	20–30
5/16"	16–25
1/4"	12–20

For double chip seals, aggregate must be spread within spread rate ranges shown in the following table:

Aggregate Spread Rates

Double application	Spread rate range (lb/sq yd)
1st application	23–30
2nd application	12–20

Remove excess aggregate on the 1st application before the 2nd application of asphaltic emulsion.

You may stockpile aggregate for the polymer modified asphaltic emulsion chip seals if you prevent contamination. Aggregate must have damp surfaces at spreading. If water visibly separates from the aggregate, do not spread. You may redampen aggregate in the delivery vehicle.

Spread aggregate before the polymer modified asphaltic emulsion sets or breaks.

Do not spread aggregate more than 2,500 feet ahead of the completed initial rolling.

37-2.03D Payment

Not Used

37-2.04 ASPHALT RUBBER BINDER CHIP SEALS

37-2.04A General

37-2.04A(1) Summary

Section 37-2.04 includes specifications for applying asphalt rubber binder chip seals.

An asphalt rubber binder chip seal consists of applying asphalt rubber binder followed by heated aggregate precoated with asphalt binder followed by a flush coat.

37-2.04A(2) Definitions

crumb rubber modifier: Combination of ground or granulated high natural scrap tire crumb rubber and scrap tire crumb rubber derived from waste tires described in Pub Res Code § 42703.

descending viscosity reading: Subsequent viscosity reading at least 5 percent lower than the previous viscosity reading.

high natural scrap tire crumb rubber: Material containing 40 to 48 percent natural rubber.

scrap tire crumb rubber: Any combination of vehicle tires or tire buffing.

37-2.04A(3) Submittals

At least 5 business days before use, submit the permit issued by the local air district for asphalt rubber binder field blending equipment and application equipment. If an air quality permit is not required by the local air district for producing asphalt rubber binder, submit verification from the local air district that an air quality permit is not required.

For each delivery of asphalt rubber binder ingredients to the job site, submit a certificate of compliance with a copy of the specified test results.

Submit a certified volume or weight slip for each delivery of asphalt rubber binder ingredients and asphalt rubber binder.

Submit a SDS for each asphalt rubber binder ingredient and the asphalt rubber binder.

At least 15 days before use, submit:

1. Samples of each asphalt rubber binder ingredient:
 - 1.1. 2 lbs of scrap tire crumb rubber
 - 1.2. 2 lbs of high natural scrap tire crumb rubber
 - 1.3. Two 1-quart cans of base asphalt binder
 - 1.4. Two 1-quart cans of asphalt modifier
2. Asphalt rubber binder formulation and data as follows:
 - 2.1. For asphalt modifier, include:
 - 2.1.1. Source of asphalt modifier
 - 2.1.2. Type of asphalt modifier
 - 2.1.3. Percentage of asphalt modifier by weight of asphalt binder
 - 2.1.4. Percentage of combined asphalt binder and asphalt modifier by weight of asphalt rubber binder
 - 2.1.5. Test results for the specified quality characteristics
 - 2.2. For crumb rubber modifier, include:
 - 2.2.1. Each source and type of scrap tire crumb rubber and high natural scrap tire crumb rubber
 - 2.2.2. Percentage of scrap tire crumb rubber and high natural scrap tire crumb rubber by total weight of asphalt rubber binder
 - 2.2.3. Test results for the specified quality characteristics
 - 2.3. For asphalt rubber binder, include minimum reaction time and temperature

Immediately after sampling, submit five 1-quart cans of asphalt rubber binder taken in the presence of the Engineer. Sample must be submitted in insulated shipping containers.

Submit notification 15 minutes before each viscosity test or submit a schedule of testing times.

Submit the log of asphalt rubber binder descending viscosity test results within 1 business day after sampling.

Submit asphalt rubber binder quality control viscosity test results within 1 business day after sampling.

37-2.04A(4) Quality Assurance

37-2.04A(4)(a) General

The equipment used in producing asphalt rubber binder and the equipment used in spreading asphalt rubber binder must be permitted for use or exempted by the local air district.

37-2.04A(4)(b) Quality Control

37-2.04A(4)(b)(i) General

Reserved

37-2.04A(4)(b)(ii) Asphalt Modifiers

For asphalt modifiers, the authorized laboratory must perform quality control sampling and testing at the specified frequency for the following quality characteristics:

Asphalt Modifier for Asphalt Rubber Binder

Quality characteristic	Test method	Frequency
Viscosity	ASTM D445	1 per shipment
Flash point	ASTM D92	
Molecular Analysis:		
Asphaltenes	ASTM D2007	1 per shipment
Aromatics	ASTM D2007	

37-2.04A(4)(b)(iii) Crumb Rubber Modifiers

Sample and test scrap tire crumb rubber and high natural scrap tire crumb rubber separately.

Perform quality control sampling and testing at the specified frequency for the following quality characteristics:

Crumb Rubber Modifier

Quality characteristic	Test method	Frequency
Scrap tire crumb rubber gradation	California Test 385	1 per 10,000
High natural scrap tire crumb rubber gradation	California Test 385	1 per 3,400 lb
Wire in CRM	California Test 385	1 per 10,000 lb
Fabric in CRM	California Test 385	
CRM particle length	--	
CRM specific gravity	California Test 208	
Natural rubber content in high natural scrap tire crumb rubber	ASTM D297	1 per 3,400 lb

37-2.04A(4)(b)(iv) Asphalt Rubber Binders

For asphalt rubber binders, the authorized laboratory must perform quality control sampling and testing at the specified frequency and location for the following quality characteristics:

Asphalt Rubber Binder Quality Control Requirements

Quality characteristic	Test method	Sampling location	Frequency
Descending viscosity ^a at 375 °F (Pa•s x 10 ⁻³)	ASTM D7741	Reaction vessel	1 per lot ^b
Viscosity at 375 °F (Pa•s x 10 ⁻³)	ASTM D7741	Distribution truck	15 minutes before use per lot ^b
Cone penetration at 25 °C (0.10 mm)	ASTM D217	Distribution truck	1 per lot ^b
Resilience at 25 °C (% rebound)	ASTM D5329		
Softening point (°C)	ASTM D36		

^aStart taking viscosity readings at least 45 minutes after adding crumb rubber modifier and continue taking viscosity readings every 30 minutes until 2 consecutive descending viscosity readings have been obtained and the final viscosity complies with the specification requirement.

^bA lot is defined in the *MPQP*.

Retain samples from each lot. Test samples for cone penetration, resilience, and softening point for the first 3 lots and if all 3 lots pass, the testing frequency may be reduced to once for every 3 lots.

If QC test results indicate that the asphalt rubber binder does not comply with the specifications, take corrective action and notify the Engineer.

37-2.04A(4)(c) Department Acceptance

37-2.04A(4)(c)(i) General

Reserved

37-2.04A(4)(c)(ii) Asphalt Modifiers

The Department accepts asphalt modifier based on compliance with the requirements shown in the following table:

Asphalt Modifier for Asphalt Rubber Binder

Quality characteristic	Test method	Requirement
Viscosity at 100 °C (m ² /s x 10 ⁻⁶)	ASTM D445	X ± 3 ^a
Flash point (min, °C)	ASTM D92	207
Molecular Analysis:		
Asphaltenes (max, % by mass)	ASTM D2007	0.1
Aromatics (min, % by mass)	ASTM D2007	55

^aThe symbol "X" is the asphalt modifier viscosity.

37-2.04A(4)(c)(iii) Crumb Rubber Modifiers

Scrap tire CRM and high natural CRM are sampled and tested separately.

The Department accepts scrap tire CRM and high natural CRM based on compliance with the requirements shown in the following table:

Crumb Rubber Modifier for Asphalt Rubber Binder

Quality characteristic	Test method	Requirement
Wire in CRM (max, %)	California Test 385	0.01
Fabric in CRM (max, %)	California Test 385	0.05
CRM particle length (max, in)	--	3/16
CRM specific gravity	California Test 208	1.1–1.2
Natural rubber content in high natural CRM (%)	ASTM D297	40.0–48.0

The Department accepts CRM gradation based on the requirements shown in the following table:

Crumb Rubber Modifier Gradation Requirements

Quality characteristic	Test method	Requirement			
		Scrap tire crumb rubber		High natural scrap tire crumb rubber	
Gradation (% passing by weight) Sieve size:	California Test 385	Operating range	Contract compliance	Operating range	Contract compliance
No. 8		100	100	--	--
No. 10		95–100	90–100	100	100
No. 16		35–85	32–88	92–100	85–100
No. 30		2–25	1–30	25–95	20–98
No. 50		0–10	0–15	6–35	2–40
No. 100		0–5	0–10	0–7	0–10
No. 200		0–2	0–5	0–3	0–5

If a test result for CRM gradation does not comply with the specifications, the Department deducts the corresponding amount for each gradation test as shown in the following table:

Material	Gradation test result ^a	Deduction
Scrap tire crumb rubber	Operating range < TR < Contract compliance	\$250
Scrap tire crumb rubber	TR > Contract compliance	\$1,100
High natural scrap tire crumb rubber	Operating range < TR < Contract compliance	\$250
High natural scrap tire crumb rubber	TR > Contract compliance	\$600

^aTest Result = TR

Each gradation test for scrap tire crumb rubber represents 10,000 lb or the quantity used in that day's production, whichever is less.

Each gradation test for high natural scrap tire crumb rubber represents 3,400 lb or the quantity used in that day's production, whichever is less.

37-2.04A(4)(c)(iv) Asphalt Rubber Binders

For Department acceptance testing, take a sample of asphalt rubber binder in the Engineer's presence every 5 lots or once a day, whichever is greater. Each sample must be in five 1-quart cans with an open top and friction lid.

For an asphalt rubber binder, acceptance is based on the Department's sampling and testing for compliance with the requirements shown in the following table:

Asphalt Rubber Binder

Quality characteristic	Test method	Requirement
Cone penetration at 25 °C (0.10 mm)	ASTM D217	25–60
Resilience at 25 °C (% rebound)	ASTM D5329	18–50
Softening point (°C)	ASTM D36	55–88
Viscosity at 375 °F (Pa•s x 10 ⁻³) ^a	ASTM D7741	1,500–2,500

^aPrepare sample for viscosity test under California Test 388.

37-2.04A(4)(c)(v) Precoated Aggregate

The Department accepts precoated aggregate based on compliance with the requirements shown in the following table:

Precoated Aggregate Gradation Acceptance Criteria

Quality Characteristic	Test method	Requirement
1/2" gradation (% passing by weight) Sieve size:	California Test 202	
3/4"		100
1/2"		85–90
3/8"		0–30
No. 4		0–5
No. 8		--
No. 200		0–1
3/8" gradation (% passing by weight) Sieve size:	California Test 202	
3/4"		100
1/2"		95–100
3/8"		70–85
No. 4		0–15
No. 8		0–5
No. 200	0–1	

37-2.04B Materials

37-2.04B(1) General

Reserved

37-2.04B(2) Asphalt Binders

Asphalt binder used as the base binder for asphalt rubber binder must comply with the specifications for asphalt binder. Do not modify asphalt binder with polymer.

37-2.04B(3) Asphalt Modifiers

An asphalt modifier must be a resinous, high flash point, and aromatic hydrocarbon. An asphalt modifier must comply with the requirements shown in the following table:

Asphalt Modifier for Asphalt Rubber Binder

Quality characteristic	Test method	Requirement
Viscosity at 100 °C (m ² /s x 10 ⁻⁶)	ASTM D445	X ± 3 ^a
Flash point (min, CL.O.C., °C)	ASTM D92	207
Molecular analysis:		
Asphaltenes by mass (max, %)	ASTM D2007	0.1
Aromatics by mass (min, %)	ASTM D2007	55

^aX denotes the proposed asphalt modifier viscosity from 19 to 36. A change in X requires a new asphalt rubber binder submittal.

37-2.04B(4) Crumb Rubber Modifiers

The CRM to be used must be on the Authorized Materials List for crumb rubber modifier.

The CRM must be ground or granulated at ambient temperature.

Scrap tire crumb rubber and high natural scrap tire crumb rubber must be delivered to the asphalt rubber binder production site in separate bags.

Steel and fiber must be separated. If steel and fiber are cryogenically separated, it must occur before grinding and granulating. Cryogenically-produced CRM particles must be large enough to be ground or granulated.

The CRM must be dry, free-flowing particles that do not stick together. A maximum of 3 percent calcium carbonate or talc by weight of CRM may be added. The CRM must not cause foaming when combined with the asphalt binder and asphalt modifier.

The CRM must comply with the requirements shown in the following table:

Crumb Rubber Modifier for Asphalt Rubber Binder

Quality characteristic	Test method	Requirement
Wire in CRM (max, %)	California Test 385	0.01
Fabric in CRM (max, %)	California Test 385	0.05
CRM particle length (max, in)	--	3/16
CRM specific gravity	California Test 208	1.1–1.2

The CRM must comply with the requirements shown in the following table:

Crumb Rubber Modifier Requirements

Quality characteristic	Test method	Requirement	
		Scrap tire crumb rubber	High natural scrap tire crumb rubber
Acetone extract (%)	ASTM D297	6.0–16.0	4.0–16.0
Rubber hydrocarbon (min, %)		42.0–65.0	50.0
Natural rubber content (%)		22.0–39.0	40.0–48.0
Carbon black content (%)		28.0–38.0	--
Ash content (max, %)		8.0	--

Scrap tire crumb rubber gradation must comply with the gradation requirements shown in the following table:

Scrap Tire Crumb Rubber Gradation

Quality characteristic	Test method	Requirement		
		Gradation limit	Operating range	Contract compliance
Gradation (% passing by weight) Sieve size:	California Test 385			
No. 8		100	100	100
No. 10		98–100	95–100	90–100
No. 16		45–75	35–85	32–88
No. 30		2–20	2–25	1–30
No. 50		0–6	0–10	0–15
No. 100		0–2	0–5	0–10
No. 200		0	0–2	0–5

High natural scrap tire crumb rubber gradation must comply with the gradation requirements shown in the following table:

High Natural Scrap Tire Crumb Rubber Gradation

Quality characteristic	Test method	Requirement		
		Gradation limit	Operating range	Contract compliance
Gradation (% passing by weight) Sieve size:	California Test 385			
No. 10		100	100	100
No. 16		95–100	92–100	85–100
No. 30		35–85	25–95	20–98
No. 50		10–30	6–35	2–40
No. 100		0–4	0–7	0–10
No. 200		0–1	0–3	0–5

37-2.04B(5) Asphalt Rubber Binders

An asphalt rubber binder must be a combination of:

1. Asphalt binder
2. Asphalt modifier
3. Crumb rubber modifier

Asphalt rubber binder blending equipment must be authorized under the Department's *MPQP*.

The blending equipment must allow the determination of weight percentages of each asphalt rubber binder ingredient.

An asphalt rubber binder must be 79 ± 1 percent by weight asphalt binder and 21 ± 1 percent by weight of CRM. The minimum percentage of CRM must be 20.0 percent and lower values must not be rounded up.

The CRM must be 75 ± 2 percent by weight scrap tire crumb rubber and 25 ± 2 percent by weight high natural scrap tire crumb rubber.

An asphalt modifier and asphalt binder must be blended at the production site. An asphalt modifier must be from 2.5 to 6.0 percent by weight of the asphalt binder in the asphalt rubber binder. The asphalt rubber binder supplier determines the exact percentage.

If blended before adding CRM, the asphalt binder must be from 375 to 440 degrees F when an asphalt modifier is added and the mixture must circulate for at least 20 minutes. An asphalt binder, asphalt modifier, and CRM may be proportioned and combined simultaneously.

The blend of an asphalt binder and an asphalt modifier must be combined with the CRM at the asphalt rubber binder production site. The asphalt binder and asphalt modifier blend must be from 375 to 440 degrees F when the CRM is added. Combined ingredients must be allowed to react at least 45 minutes at temperatures from 375 to 425 degrees F except the temperature must be at least 10 degrees F below the flash point of the asphalt rubber binder.

After reacting, the asphalt rubber binder must comply with the requirements shown in the following table:

Asphalt Rubber Binder

Quality characteristic	Test method	Requirement
Cone penetration at 25 °C (0.10 mm)	ASTM D217	25–60
Resilience at 25 °C (% rebound)	ASTM D5329	18–50
Softening point (°C)	ASTM D36	55–88
Viscosity at 375 °F ($\text{Pa}\cdot\text{s} \times 10^{-3}$) ^a	ASTM D7741	1,500–2,500

^aPrepare sample for viscosity test under California Test 388.

Maintain asphalt rubber binder at a temperature from 375 to 415 degrees F.

Stop heating unused asphalt rubber binder 4 hours after the 45-minute reaction period. Reheating asphalt rubber binder that cools below 375 degrees F is a reheat cycle. Do not exceed 2 reheat cycles. If reheating, the asphalt rubber binder must be from 375 to 415 degrees F before use.

During reheating, you may add CRM. The CRM must not exceed 10 percent by weight of the asphalt rubber binder. Allow added CRM to react for at least 45 minutes. Reheated asphalt rubber binder must comply with the specifications for asphalt rubber binder.

37-2.04B(6) Precoated Aggregate

Before precoating with asphalt binder, aggregate for an asphalt rubber binder chip seal must comply with the gradation requirements shown in the following table:

Asphalt Rubber Binder Chip Seal Aggregate Gradation

Quality characteristic	Test method	Requirement	
Gradation (% passing by weight) Sieve size: 3/4" 1/2" 3/8" No. 4 No. 8 No. 200	California Test 202	1/2"	3/8"
		100	100
		85–90	95–100
		0–30	70–85
		0–5	0–15
		--	0–5
		0–1	0–1

37-2.04C Construction

37-2.04C(1) General

Reserved

37-2.04C(2) Equipment

Distributor trucks must be equipped with:

1. Mixing and heating unit
2. Observation platform on the rear of the truck for an observer on the platform to see the nozzles and unplug them if needed.

37-2.04C(3) Asphalt Rubber Binder Application

Apply the asphalt rubber binder when the ambient temperature is from 60 to 105 degrees F and the pavement surface temperature is at least 55 degrees F.

Do not apply the asphalt rubber binder unless enough aggregate is available at the job site to cover the asphalt rubber binder within 2 minutes. Intersections, turn lanes, gore points, and irregular areas must be covered within 15 minutes.

Do not apply asphalt rubber binder when pavement is damp or during high wind conditions. If authorized, you may adjust the distributor bar height and distribution speed and use shielding equipment during high wind conditions.

When applied, the temperature of the asphalt rubber binder must be from 385 to 415 degrees F.

Apply the asphalt rubber binder at a rate from 0.55 to 0.65 gal/sq yd. You may reduce the application rate by 0.050 gal/sq yd in the wheel paths.

37-2.04C(4) Precoated Aggregate Spreading

Spread aggregate at a rate from 28 to 40 lb/sq yd. Do not spread aggregate more than 200 feet ahead of the completed initial rolling.

37-2.04C(5) Rolling and Sweeping

Perform initial rolling within 90 seconds of spreading aggregate. If authorized for final rolling, you may use a steel-wheeled roller weighing from 8 to 10 tons in static mode only.

Perform a final sweeping before Contract acceptance. The final sweeping must not dislodge aggregate.

37-2.04D Payment

Asphalt rubber binder is measured as specified for asphalt binder.

37-2.05 STRESS ABSORBING MEMBRANE INTERLAYERS

37-2.05A General

Section 37-2.05 includes specifications for placing stress absorbing membrane interlayers (SAMI).

Comply with section 37-2.04 except a flush coat is not required.

Traffic must not be allowed on a SAMI.

37-2.05B Materials

For a SAMI, aggregate must comply with the 3/8-inch gradation.

37-2.05C Construction

If a SAMI is overlaid in the same work shift, section 37-2.01C(4)(e) does not apply.

Final sweeping is not required for a SAMI.

37-2.05D Payment

Not Used

37-2.06 MODIFIED ASPHALT BINDER CHIP SEALS

Reserved

37-2.07 SCRUB SEALS

Reserved

37-3 SLURRY SEALS AND MICRO-SURFACINGS

37-3.01 GENERAL

37-3.01A General

37-3.01A(1) Summary

Section 37-3.01 includes general specifications for applying slurry seals and micro-surfacings.

37-3.01A(2) Definitions

Reserved

37-3.01A(3) Submittals

At least 15 days before starting placement of a slurry seal or micro-surfacing, submit:

1. Samples for:
 - 1.1. Asphaltic emulsion slurry seal, two 1-quart wide mouth plastic containers with screw top lid of asphaltic emulsion
 - 1.2. Polymer modified asphaltic emulsion slurry seal, two 1-quart wide mouth plastic containers with screw top lid of polymer modified asphaltic emulsion
 - 1.3. Micro-surfacing, two 1-quart wide mouth plastic containers with screw top lid of micro-surfacing emulsion
2. Asphaltic emulsion, polymer modified asphaltic emulsion, or micro-surfacing emulsion data as follows:
 - 2.1. Supplier and Type/Grade of asphaltic emulsion
 - 2.2. Type of modifier polymer for polymer modified asphaltic emulsion or micro-surfacing emulsion
 - 2.3. Copy of the specified test results for asphaltic emulsion, polymer modified asphaltic emulsion, or micro-surfacing emulsion
3. 50 lb of aggregate
4. Aggregate test results for the followings:
 - 4.1. Gradation
 - 4.2. Los Angeles Rattler

- 4.3. Percent of crushed particles
- 4.4 Sand equivalent
- 4.5 Durability

At least 10 days before starting placement of a slurry seal or micro-surfacing, submit a laboratory report of test results and the proposed mix design from an authorized laboratory. The authorized laboratory must sign the laboratory report and mix design.

The report must include:

- 1. Test results used in the mix design compared with specification requirements
- 2. Proportions based on the dry weight of aggregate, including ranges, for:
 - 2.1. Aggregate
 - 2.2. Water
 - 2.3. Additives
 - 2.4. Mineral filler
 - 2.5. Slurry seal emulsion or micro-surfacing emulsion residual asphalt content
- 3. Recommended changes to the proportions based on heating the mixture to 100 degrees F and mixing for 60 seconds, if atmospheric temperatures during application will be 90 degrees F or above, for:
 - 3.1. Water
 - 3.2. Additives
 - 3.3. Mineral filler
- 4. Quantitative moisture effects on the aggregate's unit weight determined under ASTM C29M

If the mix design consists of the same materials covered by a previous laboratory report, you may submit the previous laboratory report that must include material testing data performed within the previous 12 months for authorization.

If you change any of the materials in the mix design, submit a new mix design and laboratory report at least 10 days before starting slurry seal or micro-surfacing work.

Submit a certificate of compliance as specified for asphaltic emulsion in section 94-1.01C with each shipment of asphaltic emulsion, polymer modified asphaltic emulsion or micro-surfacing emulsion.

Submit quality control test results for the quality characteristics within the reporting times allowance after sampling shown in the following table:

Quality Control Test Reporting Requirements	
Quality characteristic	Maximum reporting time allowance
Los Angeles Rattler loss (max, %)	2 business days
Percent of crushed particles (min, %)	2 business days
Durability (min)	2 business days
Resistance of fine aggregate to degradation by abrasion in the Micro-Deval Apparatus (% loss by weight)	2 business days
Gradation (% passing by weight)	48 hours
Sand equivalent (min)	48 hours
Moisture content (%)	48 hours

Within 3 days after taking asphaltic emulsion, polymer modified asphaltic emulsion or micro-surfacing emulsion quality control samples, submit the authorized laboratory's test results.

37-3.01A(4) Quality Assurance

37-3.01A(4)(a) General

Your authorized laboratory must be able to perform International Slurry Surfacing Association tests and mix design.

37-3.01A(4)(b) Quality Control

37-3.01A(4)(b)(i) General

Reserved

37-3.01A(4)(b)(ii) Aggregate

For aggregate, the authorized laboratory must perform sampling and testing at the specified frequency and location for the following quality characteristics:

Aggregate Quality Control

Quality characteristic	Test method	Minimum sampling and testing frequency	Location of sampling
Los Angeles Rattler loss (max, %) At 500 revolutions	California Test 211	1st day of production	See California Test 125
Percent of crushed particles (min, %)	AASHTO T 335	1st day of production	See California Test 125
Sand equivalent (min)	California Test 217	1 per working stockpile per day	See California Test 125
Resistance of fine aggregate to degradation by abrasion in the Micro-Deval Apparatus (% loss by weight)	ASTM D7428	1 per working stockpile per day	See California Test 125
Gradation (% passing by weight)	California Test 202	1 per working stockpile per day	See California Test 125
Moisture content, from field stockpile (%)	AASHTO T 255 ^a	1 per working stockpile per day	See California Test 125

^aTest aggregate moisture at field stockpile every 2 hours if you are unable to maintain the moisture content to within a maximum daily variation of ± 0.5 percent.

37-3.01A(4)(b)(iii) Slurry Seals and Micro-surfacings

Reserved

37-3.01A(4)(c) Department Acceptance

Slurry Seal and micro-surfacing acceptance is based on:

1. Visual inspection for the following:
 - 1.1. Uniform surface texture throughout the work limits.
 - 1.2. Marks in the surface:
 - 1.2.1. Up to 4 marks in the completed slurry seal or micro-surfacing surface that are up to 1 inch wide and up to 6 inches long per 1000 square feet of slurry seal or micro-surfacing placed.
 - 1.2.2. No marks in the completed slurry seal or micro-surfacing surface that are over 1 inch wide or 6 inches long.
 - 1.3. Excessive raveling consisting of the separation of the aggregate from the asphaltic emulsion, polymer modified asphaltic emulsion or micro-surfacing emulsion.
 - 1.4. Bleeding consists of the occurrence of a film of asphaltic material on the surface of the slurry seal or micro-surfacing.

- 1.5. Delaminating of slurry seal or micro-surfacing from the existing pavement.
- 1.6. Rutting or wash-boarding.
- 2. Department's sampling and testing for compliance with the requirements for aggregate shown in the following table:

Aggregate Gradation Acceptance Criteria

Quality characteristic	Test method	Requirements		
Gradation (% passing by weight) Sieve Size:	California Test 202	Type I	Type II	Type III
3/8"		--	100	100
No. 4		100	94-100	70-90
No. 8		90-100	65-90	45-70
No. 16		60-90	40-70	28-50
No. 30		40-65	25-50	19-34
No. 200		10-20	5-15	5-15

An aggregate gradation test represents 300 tons or 1 day's production, whichever is less.

If test results for aggregate gradation do not comply with the specifications, you may remove the slurry seal or micro-surfacing represented by the test results or request it remain in place with a payment deduction. If your request is authorized, the Department deducts:

- 1. \$1.75 per ton of slurry seal for each noncompliant aggregate gradation
- 2. \$2.00 per ton of micro-surfacing for each noncompliant aggregate gradation

37-3.01B Materials

37-3.01B(1) General

Additional water must not cause separation of the asphaltic emulsion, polymer modified asphaltic emulsion or micro-surfacing emulsion from the aggregate before placement.

You may use an additive that does not adversely affect the slurry seal or micro-surfacing.

37-3.01B(2) Aggregate

Aggregate must be rock dust. Aggregate must be free from vegetable matter, deleterious substances, caked or clay lumps, and oversized particles.

Aggregate for a slurry seal and micro-surfacing must comply with the gradations shown in the following table:

Aggregate Gradation

Quality characteristic	Test method	Requirements		
Gradation (% passing by weight) Sieve size:	California Test 202	Type I	Type II	Type III
3/8"		--	100	100
No. 4		100	94-100	70-90
No. 8		90-100	65-90	45-70
No. 16		60-90	40-70	28-50
No. 30		40-65	25-50	19-34
No. 200		10-20	5-15	5-15

37-3.01C Construction

37-3.01C(1) General

Before applying slurry seals or micro-surfacings, cover manholes, valve and monument covers, grates, and other exposed facilities located within the area of application using plastic or oil resistant construction paper secured by tape or adhesive to the facility being covered. Reference the covered facilities with enough control points to relocate the facilities after application of the slurry seals or micro-surfacings.

37-3.01C(2) Proportioning

Proportion slurry seal and micro-surfacing ingredients in compliance with the authorized mix design.

37-3.01C(3) Mixing and Spreading Equipment

37-3.01C(3)(a) General

Mixing and spreading equipment for slurry seals and micro-surfacings must proportion the asphaltic emulsions, water, aggregate, and any additives by volume and mix them in continuous pug mill mixers.

Introduce emulsions into the mixer with a positive displacement pump. If you use a variable-rate pump, the adjusting unit must be sealed in its calibrated position.

Introduce water into the mixer through a meter that measures gallons.

Choose a truck mounted mixer-spreader or continuous self-loading mixer spreader.

37-3.01C(3)(b) Truck Mounted Mixer Spreaders

Truck mounted mixer spreaders must comply with:

1. Rotating and reciprocating equipment must be covered with metal guards.
2. Proportion aggregate using a belt feeder with an adjustable cutoff gate. The Engineer verifies the height of the gate opening.
3. Belt feeder must have a depth monitor device. The depth monitor device must automatically shut down power to the belt feeder when the aggregate depth is less than 70 percent of the target depth.
4. Separate monitor device must detect the revolutions of the belt feeder. This device must automatically shut down power to the belt feeder if it detects no revolutions. If the belt feeder is an integral part of the equipment's drive chain, the monitor device is not required.
5. Aggregate belt feeder must be connected directly to the drive on the emulsion pump. The aggregate feeder drive shaft must have a revolution counter reading the nearest 0.10 revolution for micro-surfacing, and nearest 1 revolution for slurry seal.
6. Emulsion storage must be equipped with a device that automatically shuts down power to the emulsion pump and aggregate belt feeder when the level of stored emulsion is lowered. To allow for normal fluctuations, there may be a delay of 3 seconds between detection of low emulsion storage levels or low aggregate depths and automatic power shut down.
7. Emulsion storage must be located immediately before the emulsion pump.
8. Emulsion storage tank must have a temperature indicator at the pump suction level. The indicator must be accurate to ± 5 degrees F.
9. No-flow and revolution warning devices must be in working condition. Low-flow indicators must be visible while walking alongside the equipment.

37-3.01C(3)(c) Continuous Self-Loading Mixer Spreaders

Continuous self-loading mixer spreaders must be automatically sequenced and self-propelled. The mixing machine must deliver each material to a double shafted mixer and discharge the mixed material on a continuous flow basis. The mixing machines must have sufficient storage capacity to maintain a continuous supply of material to the proportioning controls. The mixing machine operators must have full control of forward and reverse speeds during placement.

37-3.01C(3)(d) Spreader Boxes

The spreader boxes used to spread slurry seals and micro-surfacings must be:

1. Capable of spreading the slurry seal or micro-surfacing a minimum of 12 feet wide and preventing the loss of slurry seal or micro-surfacing.
2. Equipped with flexible rubber belting on each side. The belting must contact the pavement to prevent the loss of slurry seal or micro-surfacing from the box.
3. Equipped to uniformly apply the slurry seal or micro-surfacing on superelevated sections and shoulder slopes. Micro-surfacing spreader box must be equipped with reversible motor driven augers.
4. Equipped with a series of strike-off devices at its rear.
 - 4.1. The leading strike off device must be:
 - 4.1.1. Fabricated of a suitable material such as steel or stiff rubber
 - 4.1.2. Designed to maintain close contact with the pavement during spreading
 - 4.1.3. Capable of obtaining the specified thickness
 - 4.1.4. Capable of being adjusted to the various pavement cross sections
 - 4.2. The final strike-off device must be:
 - 4.2.1. Fabricated of flexible material that produces a uniform texture in the finished surface
 - 4.2.2. Cleaned daily and changed if longitudinal scouring occurs in the slurry seal or micro-surfacing
5. Clean and free of slurry seal or micro-surfacing at the start of each work shift.

37-3.01C(3)(e) Shoulder Equipment

Spread the slurry seal or micro-surfacing on shoulders with a device such as an edge box that forms clean and straight joints and edges.

37-3.01C(3)(f) Equipment Calibration

Equipment calibration must comply with the *MPQP*. Notify the Engineer at least 5 business days before calibrating.

If the Department authorizes a truck or continuous mixer spreader, its calibration is valid for 6 months provided you:

1. Use the same truck or continuous mixer spreader verified with a unique identifying number
2. Use the same materials in compliance with the authorized mix design
3. Do not perform any repair or alteration to the proportioning systems

Calibrate the adjustable cut-off gate settings of each truck or continuous mixer spreader on the project to achieve the correct delivery rate of aggregate and emulsion per revolution of the aggregate feeder under the *MPQP*.

Checks must be performed for each aggregate source using an authorized vehicle scale.

Individual checks of the aggregate belt feeder's delivery rate to the pug mill mixer must not vary more than 2 percent from the average of 3 runs of at least 3 tons each.

Before using a variable-rate emulsion pump, the pump must be calibrated and sealed in the calibrated condition under the *MPQP*.

Individual checks of the emulsion pump's delivery rate to the pug mill mixer must not vary more than 2 percent from the average of 3 runs of at least 500 gal each.

37-3.01C(4) Surface Preparation

Immediately before applying slurry seals or micro-surfacings, clean the surface to receive slurry seals or micro-surfacings by removing any extraneous material affecting adhesion of the slurry seal or micro-surfacing with the existing surface. Use self-propelled power brooms or other methods such as flushing to clean the existing pavement.

37-3.01C(5) Placement

37-3.01C(5)(a) General

If truck-mounted mixer-spreaders are used, keep at least 2 operational spreaders at the job site during placement.

Spread slurry seals and micro-surfacings uniformly and do not spot, rehandle, or shift the mixture. However in areas inaccessible to spreading equipment, spread the slurry seal or micro-surfacing mixtures with hand tools or other authorized methods. If placing with hand tools, lightly dampen the area first.

You may fog the roadway surface with water ahead of the spreader box. The fog spray must be adjusted for pavement:

1. Temperature
2. Surface texture
3. Dryness

You determine the application rates for slurry seals or micro-surfacings and the Engineer authorizes the application rates. Spread within 10 percent of authorized rate.

The mixtures must be uniform and homogeneous after spreading, and there must not be separation of the emulsion and aggregate after setting.

37-3.01C(5)(b) Weather Conditions

Only place slurry seals or micro-surfacings if both the pavement and air temperatures are at least 50 degrees F and rising. The expected high temperature must be at least 65 degrees F within 24 hours after placement.

Do not place slurry seals or micro-surfacings if rain is imminent or the air temperature is expected to be below 36 degrees F within 24 hours after placement.

37-3.01C(5)(c) Joints

Transverse and longitudinal joints must be:

1. Uniform
2. Straight
3. Neat in appearance
4. Without material buildup
5. Without uncovered areas

Transverse joints must be butt-type joints.

Prevent double placement at transverse joints over previously placed slurry seals or micro-surfacings.

Place longitudinal joints:

1. On centerlines, lane lines, edge lines, or shoulder lines
2. With overlaps not more than 4 inches

You may request other longitudinal joint patterns if they do not adversely affect the slurry seals or micro-surfacings.

The maximum difference between the pavement surface and the bottom edge of a 12-foot straightedge placed perpendicular to the longitudinal joint must be 0.04 foot.

37-3.01C(5)(d) Finished Surfaces

Finished slurry seals or micro-surfacings must be smooth and free of irregularities such as scratch or tear marks. You may leave up to 4 marks that are up to 1 inch wide and 6 inches long per 75 linear feet of slurry seal or micro-surfacing placed. Do not leave any marks that are over 1 inch wide or 6 inches long.

37-3.01C(5)(e) Maintenance Sweeping

Sweep the slurry seals or micro-surfacings 24 hours after placement without damaging the slurry seals or micro-surfacings. For 4 days afterwards, sweep the slurry seals or micro-surfacings daily unless determined otherwise by the Engineer.

37-3.01C(5)(f) Repair of Early Distress

The slurry seals or micro-surfacings must not show bleeding, raveling, separation, or other distresses for 15 days after placing. If bleeding, raveling, delaminating, rutting, or wash-boarding occurs after placing the slurry seals or micro-surfacings, make repairs using an authorized method.

37-3.01D Payment

Not Used

37-3.02 SLURRY SEALS

37-3.02A General

37-3.02A(1) Summary

Section 37-3.02 includes specifications for applying slurry seals.

Applying a slurry seal consists of spreading a mixture of asphaltic emulsion or polymer modified asphaltic emulsion, aggregate, additives, and water on a surface or pavement.

37-3.02A(2) Definitions

Reserved

37-3.02A(3) Submittals

Immediately after sampling, submit two 1-quart wide mouth plastic containers of asphaltic emulsion or polymer modified asphaltic emulsion taken in the presence of the Engineer. Samples must be submitted in insulated shipping containers.

37-3.02A(4) Quality Assurance

37-3.02A(4)(a) General

Reserved

37-3.02A(4)(b) Quality Control

37-3.02A(4)(b)(i) General

Take samples of asphaltic emulsion and polymer modified asphaltic emulsion from the tank truck at mid load or from a sampling tap or thief. Before taking samples, draw and dispose of 1 gallon. In the presence of the Engineer take two 1-quart samples in wide mouth plastic containers with lined, sealed lids for acceptance testing.

37-3.02A(4)(b)(ii) Asphaltic Emulsion

For asphaltic emulsions, the authorized laboratory must perform quality control sampling and testing at the specified frequency and location for the following quality characteristics:

Asphaltic Emulsion

Quality characteristic	Test method	Minimum sampling and testing frequency	Sampling location
Saybolt Furol Viscosity, at 25 °C (Saybolt Furol seconds)	AASHTO T 59	Minimum 1 per day per delivery truck	Delivery truck
Sieve Test (%)			
Storage stability, 1 day (%)			
Residue by distillation (%)			
Particle charge ^a			
Tests on Residue from Distillation Test:			
Penetration, 25 °C	AASHTO T 49	Minimum 1 per day per delivery truck	Delivery truck
Ductility	AASHTO T 51		
Solubility in trichloroethylene	AASHTO T 44		

^aIf the result of the particle charge is inconclusive, the asphaltic emulsion must be tested for pH under ASTM E70. Grade QS1h asphaltic emulsion must have a minimum pH of 7.3. Grade CQS1h asphaltic emulsion must have a maximum pH of 6.7.

37-3.02A(4)(b)(iii) Polymer Modified Asphaltic Emulsion

For polymer modified asphaltic emulsions, the authorized laboratory must perform quality control sampling and testing at the specified frequency and location for the following quality characteristics:

Polymer Modified Asphaltic Emulsion

Quality characteristic	Test method	Minimum sampling and testing frequency	Sampling Location
Tests on emulsion:			
Saybolt Furol Viscosity at 25 °C (Saybolt Furol seconds)	AASHTO T 59	Minimum 1 per day per delivery truck	Delivery truck
Sieve test (%)	AASHTO T 59		
Storage stability after 1 day (%)	AASHTO T 59		
Residue by evaporation (min, %)	California Test 331		
Particle charge	AASHTO T 59		
Tests on residue by evaporation:			
Penetration at 25 °C	AASHTO T 49	Minimum 1 per day per delivery truck	Delivery truck
Ductility at 25 °C (min, mm)	AASHTO T 51		
Torsional recovery (min, %)	California Test 332		
Or Polymer content based on residual asphalt (min, %)	California Test 401		

37-3.02A(4)(c) Department Acceptance

For a slurry seal asphaltic emulsion and polymer modified asphaltic emulsion, acceptance is based on the Department's sampling and testing for compliance with the requirements for the quality characteristics specified.

Aggregate acceptance is based on the Department's sampling and testing for compliance with the requirements shown in the following table:

Aggregate Acceptance Criteria

Quality characteristic	Test method	Requirement
Los Angeles Rattler loss (max, %) At 500 revolutions	California Test 211 ^a	35
Percent of crushed particles (min, %)	California Test 205	95
Durability (min)	California Test 229	55
Sand equivalent (min)	California Test 217	
Type I		45
Type II		55
Type III		60

^aCalifornia Test 211 must be performed on the source aggregate before crushing.

A sand equivalent test represents 300 tons or 1 day's production, whichever is less.

If test results for sand equivalent do not comply with the specifications, you may remove the slurry seal represented by the test results or request it remain in place with a payment deduction. If your request is authorized, the Department deducts \$1.75 per ton of slurry seal for each noncompliant sand equivalent test.

37-3.02B Materials

37-3.02B(1) General

Reserved

37-3.02B(2) Asphaltic Emulsions

An asphaltic emulsion must comply with the requirements in Section 94. The asphaltic emulsion must be Grade CQS1h.

37-3.02B(3) Polymer Modified Asphaltic Emulsions

A polymer modified asphaltic emulsion must:

1. Consist of an elastomeric polymer mixed with an asphaltic material uniformly emulsified with water and an emulsifying or stabilization agent.
2. Use either neoprene polymer or butadiene and styrene copolymer. The polymer must be homogeneous and milled into the asphaltic emulsion at the colloid mill.
3. Be Grade PMCQS1h and must comply with the requirements shown in the following table:

Polymer Modified Asphaltic Emulsion Requirements

Quality characteristic	Test method	Requirement
Tests on emulsion:		
Saybolt Furol Viscosity at 25 °C (Saybolt Furol seconds)	AASHTO T 59	15–90
Sieve test (%)	AASHTO T 59	0–0.3
Storage stability after 1 day (%)	AASHTO T 59	0–1
Residue by evaporation (min, %)	California Test 331	60
Particle charge	AASHTO T 59	Positive
Tests on residue by evaporation:		
Penetration at 25 °C	AASHTO T 49	40–90
Ductility at 25 °C (min, mm)	AASHTO T 51	400
Torsional recovery (min, %)	California Test 332	18
Or		
Polymer content based on residual asphalt (min, %)	California Test 401	2.5

37-3.02B(4) Aggregate

Aggregate must comply with the quality characteristic requirements shown in the following table:

Aggregate Requirements

Quality characteristic	Test method	Requirement
Los Angeles Rattler loss (max, %) At 500 revolutions	California Test 211 ^a	35
Percent of crushed particles (min, %)	California Test 205	95
Durability (min)	California Test 229	55
Sand equivalent (min)		
Type I	California Test 217	45
Type II		55
Type III		60

^aCalifornia Test 211 must be performed on the source aggregate before crushing. The aggregate supplier must certify that the crushed aggregate being used on the project is manufactured from the source aggregate complying with the LA rattler requirements.

37-3.02B(5) Slurry Seal Mix Design

The slurry seal mix design, using project source aggregate, an asphaltic emulsion, and set-control agents if any, must comply with the requirements shown in the following table:

Slurry Seal Mix Design Requirements

Quality characteristic	Test method ^a	Requirement
Consistency (max, mm)	Technical Bulletin 106	30
Wet stripping	Technical Bulletin 114	Pass
Compatibility	Technical Bulletin 115	Pass ^b
Cohesion test, within 1 hour (min, kg-mm)	Technical Bulletin 139	200
Wet track abrasion (max, g/m ²)	Technical Bulletin 100	810

^aTest methods are by the International Slurry Surfacing Association.

^bMixing test must pass at the maximum expected air temperature at the job site during placement.

The mix design must have the percent of asphaltic residue, based on percentage by weight of the dry aggregate, within the ranges shown in the following table:

Slurry seal type	Residue range
Type I	10–16
Type II	7.5–13.5
Type III	6.5–12.0

Determine the exact percentage based on the design asphalt binder content and the asphalt residual content of the asphaltic emulsion furnished.

37-3.02C Construction

37-3.02C(1) General

Reserved

37-3.02C(2) Proportioning

After proportioning, slurry seal mixtures must be workable.

37-3.02C(3) Mixing and Spreading Equipment

Reserved

37-3.02C(4) Placement

The slurry seal spread rates must be within the ranges shown in the following table:

Slurry seal type	Application range (lb of dry aggregate/sq yd)
Type I	8–12
Type II	10–18
Type III	20–25

Within 4 hours after placement, slurry seals must be set enough to allow traffic without pilot cars. Protect slurry seals from damage until it has set and will not adhere or be picked up by vehicle tires. Slurry seals must not exhibit distress from traffic such as bleeding, raveling, separation or other distresses.

37-3.02D Payment

The payment quantity for slurry seal is the weight determined by combining the weights of the aggregate and asphaltic emulsion or polymeric asphaltic emulsion. The payment quantity for slurry seal does not include the weights of the added water and set-control additives.

37-3.03 MICRO-SURFACINGS

37-3.03A General

37-3.03A(1) Summary

Section 37-3.03 includes specifications for applying micro-surfacings.

Applying a micro-surfacing consists of spreading a mixture of a micro-surfacing emulsion, water, additives, mineral filler, and aggregate on the pavement.

37-3.03A(2) Definitions

Reserved

37-3.03A(3) Submittals

Immediately after sampling, submit two 1-quart wide mouth plastic containers of micro-surfacing emulsion taken in the presence of the Engineer. Samples must be submitted in insulated shipping container.

37-3.03A(4) Quality Assurance

37-3.03A(4)(a) General

Reserved

37-3.03A(4)(b) Quality Control

37-3.03A(4)(b)(i) General

Reserved

37-3.03A(4)(b)(ii) Micro-surfacing Emulsions

Take samples from the truck tank at mid load from a sampling tap or thief. Before taking samples, draw and dispose of 1 gallon. In the presence of the Engineer, take two 1-quart wide mouth plastic containers for acceptance testing.

For a micro-surfacing emulsion, the authorized laboratory must perform quality control sampling and testing at the specified frequency and location for the quality characteristics shown in the following table:

Micro-Surfacing Emulsion

Quality characteristic	Test method	Minimum sampling and testing frequency	Sampling location
Tests on emulsion:			
Saybolt Furol Viscosity, at 25°C (Saybolt Furol seconds)	AASHTO T 59	Minimum 1 per day per delivery truck	Delivery truck
Storage stability, 1 day (max, %) ^a			
Sieve test (max, %)			
Residue by evaporation (min, %)	California Test 331	Minimum 1 per day per delivery truck	Delivery truck
Tests on residue from evaporation test:			
Penetration at 25 °C	AASHTO T 49	Minimum 1 per day per delivery truck	Delivery truck
Softening point (min, °C)	AASHTO T 53		

^aStorage stability test will be run if the storage exceeds 48 hours

37-3.03A(4)(c) Department Acceptance

For micro-surfacing emulsions, acceptance is based on the Department's sampling and testing for compliance with the requirements shown in the following table:

Micro-surfacing Emulsion Acceptance Criteria

Quality characteristic	Test method	Requirement
Tests on emulsion:		
Saybolt Furol Viscosity at 25 °C (Saybolt Furol seconds)	AASHTO T 59	15–90
Sieve test (%)	AASHTO T 59	0.30
Storage stability, 1 day (max, %)	AASHTO T 59	0–1
Settlement ^a , 5 days (max, %)	ASTM D244	5
Residue by evaporation (min, %)	California Test 331	62
Tests on residue by evaporation:		
Penetration at 25 °C	AASHTO T 49	40–90
Softening point (min, °C)	AASHTO T 53	57

^aSettlement test on emulsion is not required if used within 48 hours of shipment.

Acceptance of aggregate, except mineral filler, is based on the Department's sampling and testing for compliance with the requirements shown in the following table:

Aggregate Acceptance Criteria

Quality characteristic	Test method	Requirement
Los Angeles Rattler loss (max, %) At 500 revolutions	California Test 211 ^a	35
Percent of crushed particles (min, %)	California Test 205	95
Durability (min)	California Test 229	65
Sand equivalent (min)	California Test 217	
Type II		65
Type III		65

^aCalifornia Test 211 must be performed on the aggregate before crushing. The aggregate supplier must certify that the crushed aggregate being used on the project is manufactured from the source aggregate complying with the LA rattler requirements.

An aggregate sand equivalent test represents 300 tons or 1 day's production, whichever is less.

If the test results for aggregate sand equivalent do not comply with the specifications, you may remove the micro-surfacing represented by the test results or request it remain in place with a payment deduction. If your request is authorized, the Department deducts \$2.00 per ton of micro-surfacing for each noncompliant aggregate sand equivalent test.

37-3.03B Materials

37-3.03B(1) General

Reserved

37-3.03B(2) Micro-surfacing Emulsions

A micro-surfacing emulsion must be a homogeneous mixture of asphalt, an elastomeric polymer and an emulsifier solution.

Add an elastomeric polymer modifier to asphalt or emulsifier solution before emulsification. An elastomeric polymer solid must be a minimum of 3 percent by weight of the micro-surfacing emulsion's residual asphalt.

A micro-surfacing emulsion must comply with the requirements shown in the following table:

Micro-surfacing Emulsion Requirements

Quality characteristic	Test method	Requirement
Tests on emulsion:		
Saybolt Furol Viscosity at 25 °C (Saybolt Furol seconds)	AASHTO T 59	15–90
Sieve test (%)	AASHTO T 59	0.30
Storage stability, 1 day (max, %)	AASHTO T 59	0–1
Settlement ^a , 5 days (max, %)	ASTM D244	5
Residue by evaporation (min, %)	California Test 331	62
Tests on residue by evaporation:		
Penetration at 25 °C	AASHTO T 49	40–90
Softening point (min, °C)	AASHTO T 53	57

^aSettlement test on emulsion is not required if used within 48 hours of shipment.

37-3.03B(3) Aggregate

Aggregate must comply with the quality characteristic requirements shown in the following table:

Aggregate Requirements

Quality characteristic	Test method	Requirement
Los Angeles Rattler loss (max, %) At 500 revolutions	California Test 211 ^a	35
Percent of crushed particles (min, %)	California Test 205	95
Durability (min)	California Test 229	65
Sand equivalent (min)	California Test 217	
Type II		65
Type III		65

^aCalifornia Test 211 must be performed on the source aggregate before crushing. The aggregate supplier must certify that the crushed aggregate being used on the project is manufactured from the source aggregate complying with the LA rattler requirements.

37-3.03B(4) Mineral Fillers

If a mineral filler is used, it must be type I or type II Portland cement. A mineral filler used during mix design must be used during production.

37-3.03B(5) Micro-Surfacing Mix Designs

The micro-surfacing mix design must have the material proportion limits shown in the following table:

Micro-surfacing Mix Design Proportion Limits

Material	Proportion limits
Micro-surfacing emulsion asphalt residual content (% of dry weight of aggregate)	5.5–10.5
Water and additives	As Required
Mineral filler (% of dry weight of aggregate)	0–3

The micro-surfacing mix design must comply with the requirements shown in the following table:

Micro-surfacing Mix Design Requirements

Quality characteristics	Test method ^a	Requirement
Wet cohesion		
At 30 minutes (set) (min, kg-cm)	Technical Bulletin 139	12
At 60 minutes (traffic) (min, kg-cm)		20
Excess asphalt (max, g/m ²)	Technical Bulletin 109	540
Wet stripping (min, %)	Technical Bulletin 114	90
Wet track abrasion loss 6-day soak (max, g/m ²)	Technical Bulletin 100	810
Displacement		
Lateral (max, %)	Technical Bulletin 147A	5
Specific gravity after 1000 cycles of 57 kg (max)		2.10
Classification compatibility (min, grade points)	Technical Bulletin 144	(AAA, BAA) 11
Mix time at 25 °C (min)	Technical Bulletin 113	Controllable to 120 seconds

^aTest methods are by the International Slurry Surfacing Association.

37-3.03B(6) Tack Coats

If there is a bid item for tack coat, you must coat the pavement surface with an asphaltic emulsion mixed with additional water before applying a micro-surfacing. The maximum ratio of water to asphaltic emulsion

must be 2 to 1. Apply the tack coat at a rate from 0.08 to 0.15 gal/sq yd. The exact rate must be authorized.

You determine the grade of slow-setting or quick setting asphaltic emulsion to be used.

37-3.03C Construction

37-3.03C(1) General

Reserved

37-3.03C(2) Proportioning

Field conditions may require adjustments to the proportions within the authorized mix design during construction.

37-3.03C(3) Mixing and Spreading Equipment

37-3.03C(3)(a) General

Reserved

37-3.03C(3)(b) Scratch Course Boxes

Spread the scratch courses with the same type of spreader box used to spread micro-surfacing except use an adjustable steel strike-off device instead of a final strike-off device.

37-3.03C(3)(c) Wheel Path Depression Boxes

Each wheel path depression box must have adjustable strike-off device between 5 and 6 feet wide to regulate depth. The wheel path depression box must also have devices such as hydraulic augers capable of:

1. Moving the mixed material from the rear to the front of the filling chamber
2. Guiding larger aggregate into the deeper section of the wheel path depression
3. Forcing the finer material towards the outer edges of the spreader box

37-3.03C(4) Test Strips

If micro-surfacing placement will require more than 1 day, you must construct a test strip. The test strip must be:

1. From 300 to 450 feet long
2. The same as the full production micro-surfacing
3. On 1 of the application courses specified at an authorized location
4. At the same time of day or night the full production micro-surfacing is to be applied

If multiple application courses are specified, you may construct test strips over 2 days or nights.

The Engineer evaluates the test strip after traffic has used it for 12 hours. If the Engineer determines the mix design or placement procedure is unacceptable, make modifications and construct a new test strip for the Engineer's evaluation.

37-3.03C(5) Placement

37-3.03C(5)(a) General

Reserved

37-3.03C(5)(b) Repair Wheel Path Depressions

If repairing wheel path depressions is shown in plans, fill wheel path depressions and irregularities with micro-surfacing material before spreading micro-surfacing. If the depressions are less than 0.04 foot

deep, fill with a scratch course. If the depressions are 0.04 foot deep or more, fill the depressions using a wheel path depression box.

Spread scratch courses by adjusting the steel strike-off of a scratch course box until it is directly in contact with the pavement surface.

Spread micro-surfacings with a wheel path depression box leaving a slight crown at the surface. Use multiple applications to fill depressions more than 0.12 foot deep. Do not apply more than 0.12 foot in a single application.

Allow traffic to compact each filled wheel path depression for a minimum of 12 hours before placing additional micro-surfacings.

37-3.03C(5)(c) Micro-surfacing Pavement Surfaces

The micro-surfacing spread rates must be within the ranges shown in the following table:

Micro-surfacing type	Application range (lb of dry aggregate/sq yd)
Type II	10–20
Type III ^a	20–32
Type III ^b	30–32

^aOver asphalt concrete pavement

^bOver concrete pavement and concrete bridge decks

Within 2 hours after placement, micro-surfacings must be set enough to allow traffic without pilot cars. Protect the micro-surfacings from damage until it has set and will not adhere or be picked up by vehicle tires. Micro-surfacings must not exhibit distress from traffic such as bleeding, raveling, separation or other distresses.

37-3.03D Payment

The payment quantity for micro-surfacing is the weight determined by combining the weights of the aggregate and micro-surfacing emulsion. The payment quantity for micro-surfacing does not include the weights of added water, mineral filler, and additives.

37-3.04 RUBBERIZED AND MODIFIED SLURRY SEALS

Reserved

37-4 FOG SEALS AND FLUSH COATS

37-4.01 GENERAL

37-4.01A General

37-4.01A(1) Summary

Section 37-4.01 includes general specifications for applying fog seals and flush coats.

37-4.01A(2) Definitions

Reserved

37-4.01A(3) Submittals

At least 15 days before use, submit:

1. Sample of asphaltic emulsion in two 1-quart plastic container with lined, sealed lid
2. Asphaltic emulsion information and test data as follows:
 - 2.1. Supplier
 - 2.2. Type/Grade of asphalt emulsion
 - 2.3. Copy of the specified test results for asphaltic emulsion

37-4.01B Materials

Not Used

37-4.01C Construction

37-4.01C(1) General

Reserved

37-4.01C(2) Weather Conditions

Only place a fog seal or flush coat if both the pavement and ambient temperatures are at least 50 degrees F and rising. Do not place a fog seal or flush coat within 24 hours of rain or within 24 hours of forecast rain or freezing temperatures.

37-4.01D Payment

Not Used

37-4.02 FOG SEALS

37-4.02A General

37-4.02A(1) Summary

Section 37-4.02 includes specifications for applying fog seals.

Applying a fog seal includes applying a diluted slow-setting or quick setting asphaltic emulsion.

37-4.02A(2) Definitions

Reserved

37-4.02A(3) Submittals

Immediately after sampling, submit two 1-quart plastic container of asphaltic emulsion taken in the presence of the Engineer. Samples must be submitted in insulated shipping container.

37-4.02A(4) Quality Assurance

37-4.02A(4)(a) General

Reserved

37-4.02A(4)(b) Quality Control

37-4.02A(4)(b)(i) General

Reserved

37-4.02A(4)(b)(ii) Asphaltic Emulsions

Circulate asphaltic emulsions in the distributor truck before sampling. Take samples from the distributor truck at mid load or from a sampling tap or thief. Before taking samples, draw and dispose of 1 gallon. In the presence of the Engineer, take asphalt emulsion sample in two 1-quart plastic container with lined, sealed lid.

For asphaltic emulsions, the authorized laboratory must perform quality control sampling and testing at the specified frequency and location for the following quality characteristics:

Asphaltic Emulsion

Quality characteristic	Test Method	Minimum sampling and testing frequency	Sampling location
Saybolt Furol Viscosity, at 25 °C (Saybolt Furl seconds)	AASHTO T 59	Minimum 1 per day per delivery truck	Distributor truck
Sieve Test (%)			
Storage stability, 1 day (%)			
Residue by distillation (%)			
Particle charge ^a			
Tests on Residue from Distillation Test:			
Penetration, 25 °C	AASHTO T 49	Minimum 1 per day per delivery truck	Distributor truck
Ductility	AASHTO T 51		
Solubility in trichloroethylene	AASHTO T 44		

^aIf the result of the particle charge is inconclusive, the asphaltic emulsion must be tested for pH under ASTM E70. Grade QS1h asphaltic emulsion must have a minimum pH of 7.3. Grade CQS1h asphaltic emulsion must have a maximum pH of 6.7.

37-4.02A(4)(b)(iii) Asphaltic Emulsion Spread Rates

For fog seals, the authorized laboratory must perform sampling and testing at the specified frequency and location for the following quality characteristics:

Fog Seal Quality Control Requirements

Quality characteristic	Test method	Minimum sampling and testing frequency	Location of sampling
Asphaltic emulsion spread rate (gal/sq yd)	California Test 339	2 per day	Pavement surface

37-4.02A(4)(c) Department Acceptance

Fog seal acceptance is based on:

1. Visual inspection for the following:
 - 1.1. Uniform surface texture throughout the work limits
 - 1.2. Flushing consisting of the occurrence of a film of asphaltic material on the surface
 - 1.4. Streaking consisting of alternating longitudinal bands of asphaltic emulsion approximately parallel with the lane line
2. The Department's sampling and testing for compliance with the requirements for the quality characteristics specified in section 94 for asphaltic emulsion
3. Department's sampling and testing for compliance with the requirements for fog seal shown in the following table:

Fog Seal Acceptance Criteria

Quality Characteristic	Test Method	Requirement
Asphaltic emulsion spread rate (gal/sq yd)	California Test 339	TV ± 10%

37-4.02B Materials

You determine the grade of slow-setting or quick setting asphaltic emulsion to be used.

37-4.02C Construction

Apply asphaltic emulsions for fog seals at a residual asphalt rate from 0.02 to 0.06 gal/sq yd.

If additional water is added to the asphaltic emulsions, the resultant mixture must not be more than 1 part asphaltic emulsion to 1 part water. You determine the dilution rate.

If the fog seals become tacky, sprinkle water as required.

If fog seals and chip seals are on the same project, the joint between the seal coats must be neat and uniform.

37-4.02D Payment

The Department does not adjust the unit price for an increase or decrease in the asphaltic emulsion quantity.

37-4.03 FLUSH COATS

37-4.03A General

37-4.03A(1) Summary

Section 37-4.03 includes specifications for applying flush coats.

Applying a flush coat includes applying a fog seal coat followed by sand.

37-4.03A(2) Definitions

Reserved

37-4.03A(3) Submittals

At least 15 days before use, submit:

1. Proposed target X values for sand gradation.
2. Gradation test results for sand

Submit quality control test results for sand gradation within 2 business days of sampling.

37-4.03A(4) Quality Assurance

37-4.03A(4)(a) General

Reserved

37-4.03A(4)(b) Quality Control

For sand, the authorized laboratory must perform sampling and testing at the specified frequency and location for the following quality characteristics:

Sand Quality Control

Quality characteristic	Test method	Minimum sampling and testing frequency	Location of sampling
Gradation (% passing by weight)	California Test 202	1 per day	See California Test 125

37-4.03A(4)(c) Department Acceptance

Flush coat acceptance is based on fog seal acceptance and the following:

1. Visual inspection for uniform application of sand.
2. Sand acceptance is based on the Department's sampling and testing for compliance with the requirements shown in the following table:

Sand Gradation Acceptance Criteria

Quality characteristic	Test method	Requirement
Gradation (% passing by weight)	California Test 202	
Sieve size:		
3/8"		100
No. 4		93–100
No. 8		61–99
No. 16		X ± 13
No. 30		X ± 12
No. 50		X ± 9
No.100		1–15
No. 200	0–10	

NOTE: "X" is the gradation that you propose to furnish for the specific sieve size.

37-4.03B Material

37-4.03B(1) General

Reserved

37-4.03B(2) Sand

Sand must be free from deleterious coatings, clay balls, roots, bark, sticks, rags, and other extraneous material.

Sand for a flush coat must comply with the gradations shown in the following table:

Sand Gradation

Quality characteristic	Test method	Requirement
Gradation (% passing by weight)	California Test 202	
Sieve size:		
3/8"		100
No. 4		93–100
No. 8		61–99
No. 16		X ± 13
No. 30		X ± 12
No. 50		X ± 9
No.100		1–15
No. 200	0–10	

NOTE: "X" is the gradation that you propose to furnish for the specific sieve size.

Fine aggregate sizes must be distributed such that the difference between the total percentage passing the No. 16 and No. 30 sieves is from 10 to 40, and the difference between the percentage passing the No. 30 and No. 50 sieves is from 10 to 40.

37-4.03C Construction

37-4.03C(1) General

During flush coat activities, close adjacent lanes to traffic. Do not track asphaltic emulsion on existing pavement surfaces.

Apply sand immediately after applying asphaltic emulsions.

Spread sand aggregate with a mechanical device that spreads sand at a uniform rate over the full width of a traffic lane in a single application. Spread sand at a rate from 2 to 6 lb/sq yd. You determine the application rates for sand and the Engineer authorizes the application rate.

37-4.03C(2) Sweeping

Sweep loose sand material remaining on the surface 24 hours after application.

37-4.03D Payment

The Department does not adjust the unit price for an increase or decrease in the sand cover (seal) quantity.

37-5 PARKING AREA SEALS

37-5.01 GENERAL

37-5.01A Summary

Section 37-5 includes specifications for applying parking area seals. Sealing a parking area consists of spreading a mixture of asphaltic emulsion, aggregate, polymer, and water.

37-5.01B Definitions

Reserved

37-5.01C Submittals

At least 15 days before starting placement, submit a 20 lb sample of the aggregate to be used.

At least 10 days before starting placement, submit:

1. Name of the authorized laboratory to perform testing and mix design.
2. Laboratory report of test results and a proposed mix design. The report and mix design must include the specific materials to be used and show a comparison of test results and specifications. The mix design report must include the quantity of water allowed to be added at the job site. The authorized laboratory performing the tests must sign the original laboratory report and mix design.
3. Manufacturer's data for oil seal primer and polymer.

If the mix design consists of the same materials covered by a previous laboratory report, you may submit the previous laboratory report that must include material testing data performed within the previous 12 months for authorization.

If you request substitute materials, submit a new laboratory report and mix design at least 10 days before starting placement.

Submit a certificate of compliance for the parking area seal material.

Immediately after sampling, submit two 1-quart plastic containers of parking area seal taken in the presence of the Engineer. Samples must be submitted in insulated shipping containers.

37-5.01D Quality Assurance

37-5.01D(1) General

Reserved

37-5.01D(2) Quality Control

37-5.01D(2)(a) General

Reserved

37-5.01D(2)(b) Asphaltic Emulsions

For an asphaltic emulsion, the authorized laboratory must perform quality control sampling and testing at the specified frequency and location for the following quality characteristics:

Asphaltic Emulsion

Quality characteristic	Test Method	Minimum sampling and testing frequency	Sampling location
Saybolt Furol Viscosity, at 25 °C (Saybolt Furol seconds)	AASHTO T 59	Minimum 1 per day per delivery truck	Distributor truck
Sieve Test (%)			
Storage stability, 1 day (%)			
Residue by distillation (%)			
Particle charge ^a			
Tests on Residue from Distillation Test			
Penetration, 25 °C	AASHTO T 49	Minimum 1 per day per delivery truck	Distributor truck
Ductility	AASHTO T 51		
Solubility in trichloroethylene	AASHTO T 44		

^aIf the result of the particle char is inconclusive, the asphaltic emulsion must be tested for pH under ASTM E70. Grade QS1h asphaltic emulsion must have a minimum pH of 7.3. Grade CQS1h asphaltic emulsion must have a maximum pH of 6.7.

37-5.01D(2)(c) Sand

For sand, the authorized laboratory must perform sampling and testing at the specified frequency and location for the following quality characteristics:

Sand Quality Control

Quality characteristic	Test method	Minimum sampling and testing frequency	Location of sampling
Gradation (% passing by weight)	California Test 202	One per project	See California Test 125

37-5.01D(2)(d) Parking Area Seals

For a parking area seal, the authorized laboratory must perform quality control sampling and testing at the specified frequency for the following quality characteristics:

Parking Area Seal Requirements

Quality characteristic	Test method	Frequency
Mass per liter (kg)	ASTM D244	One per project
Cone penetration (mm)	California Test 413	
Nonvolatile (%)	ASTM D2042 ^a	
Nonvolatile soluble in trichloroethylene (%)		
Wet track abrasion (g/m ²)	ASTM D3910	
Dried film color	--	
Viscosity (KU) ^b	ASTM D562	

^aWeigh 10 g of homogenous material into a previously tarred, small can. Place in a constant temperature oven at 165 ± 5 °C for 90 ± 3 minutes. Cool, reweigh, and calculate nonvolatile components as a percent of the original weight.

^bKrebs units

37-5.01D(3) Department Acceptance

Parking area seal acceptance is based on:

1. Visual inspection for:
 - 1.1. Uniform surface texture throughout the work limits
 - 1.2. Marks in the surface:
 - 1.2.1. Up to 4 marks in the completed parking area seal that are up to 1 inch wide and up to 6 inches long per 1,000 square feet of parking area seal placed.
 - 1.2.2. No marks in the completed parking area seal surface that are over 1 inch wide or 6 inches long.
 - 1.2. Raveling consisting of the separation of the aggregate from the asphaltic emulsion
 - 1.3. Bleeding consisting of the occurrence of a film of asphaltic material on the surface of the parking area seal
 - 1.4. Delaminating of the parking area seal from the existing pavement
 - 1.5. Rutting or wash-boarding
2. The Department's sampling and testing of aggregate for compliance with 100 percent passing no. 16 sieve under California Test 202
3. The Department's sampling and testing for compliance with the requirements shown in the following table:

Parking Area Seal Acceptance Criteria

Quality characteristic	Test method	Requirement
Mass per liter (min, kg)	ASTM D244	1.1
Cone penetration (mm)	California Test 413	340-700
Nonvolatile (min, %)	ASTM D2042 ^a	50
Nonvolatile soluble in trichloroethylene (%)		10-35
Wet track abrasion (max, g/m ²)	ASTM D3910	380
Dried film color	--	Black
Viscosity (min, KU) ^b	ASTM D562	75

^aWeigh 10 g of homogenous material into a previously tared, small ointment can. Place in a constant temperature oven at 165 ± 5 °C for 90 ± 3 minutes. Cool, reweigh, and calculate nonvolatile components as a percent of the original weight.

^bKrebs units

37-5.02 MATERIALS

37-5.02A General

Aggregate must be clean, hard, durable, uncoated, and free from organic and deleterious substances. One hundred percent of the aggregate must pass the no. 16 sieve.

Asphaltic emulsion must be either Grade SS1h or CSS1h, except the values for penetration at 25 degrees C for tests on residue from distillation must be from 20 to 60.

Polymer must be either neoprene, ethylene vinyl acetate, or a blend of butadiene and styrene.

Oil seal primer must be a quick-drying emulsion with admixtures. Oil seal primer must be manufactured to isolate the parking area seal from pavement with residual oils, petroleum grease, and spilled gasoline.

Crack sealant must comply with section 37-6.

Water must be potable and not separate from the emulsion before the material is placed.

37-5.02B Mix Design

The proposed mix design for a parking area seal must comply with the requirements shown in the following table:

Parking Area Seal Mix Design Requirements

Quality characteristic	Test method	Requirement
Mass per liter (min, kg)	ASTM D244	1.1
Cone penetration (mm)	California Test 413	340–700
Nonvolatile (min, %)	ASTM D2042 ^a	50
Nonvolatile soluble in trichloroethylene (%)		10–35
Wet track abrasion (max, g/m ²)	ASTM D3910	380
Dried film color	--	Black
Viscosity (min, KU) ^b	ASTM D562	75

^aWeigh 10 g of homogenous material into a previously tarred, small ointment can. Place in a constant temperature oven at 165 ± 5 °C for 90 ± 3 minutes. Cool, reweigh, and calculate nonvolatile components as a percent of the original weight.

^bKrebs units

A parking area seal must contain a minimum of 2 percent polymer by volume of undiluted asphaltic emulsion.

37-5.02C Proportioning

Parking area seal ingredients must be mixed at a central plant. The plant must include mechanical or electronic controls that consistently proportion the ingredients. Mix an asphaltic emulsion with the other ingredients mechanically.

Store the parking area seal in a tank equipped with mixing or agitation devices. Keep stored materials thoroughly mixed. Protect stored materials from freezing conditions.

37-5.03 CONSTRUCTION

37-5.03A General

Request that the Engineer shut off the irrigation control system at least 5 days before placing the seal. Do not water plants adjacent to the seal at least 24 hours before and after the seal coat placement.

37-5.03B Surface Preparations

If cracks in the existing pavement are from 1/4 to 1 inch wide, treat the cracks under section 37-6. Do not place the parking area seals until the Engineer determines that the crack treatments are cured.

If cracks in the existing pavement are greater than 1 inch wide, the Engineer orders the repair. This work is change order work.

After any crack treatment and before placing parking area seals, clean the pavement surface, including removal of oil and grease spots. Do not use solvents.

If cleaning the pavement with detergents, thoroughly rinse with water. Allow all water to dry before placing parking area seals.

You must seal oil and grease spots that remain after cleaning. Use an oil seal primer and comply with the manufacturer's instructions.

If the existing pavement has oil and grease spots that do not come clean and sealing is insufficient, the Engineer orders the repair of the pavement. This work is change order work.

Before placing the parking area seals, dampen the pavement surface using a distributor truck. Place the seal on the damp pavement but do not place it with standing water on the pavement.

37-5.03C Placement

If adding water at the job site based on the manufacturer's instructions for consistency and spreadability, do not exceed 15 percent by volume of undiluted asphaltic emulsion.

Place the parking area seals in 1 or more application. The seals must be uniform and smooth, free of ridges or uncoated areas.

If placing in multiple applications, allow the last application to thoroughly dry before the subsequent application.

Do not allow traffic on the parking area seals for at least 24 hours after placement.

Do not stripe over the parking area seals until it is dry.

37-5.04 PAYMENT

The payment quantity for parking area seal is the weight determined by combining the weights of the aggregate and asphaltic emulsion. The payment quantity for parking area seal does not include the added water and set-control additive.

37-6 CRACK TREATMENTS

37-6.01 GENERAL

37-6.01A Summary

Section 37-6 includes specifications for treating cracks in asphalt concrete pavement.

37-6.01B Definitions

Reserved

37-6.01C Submittals

If your selected crack treatment material is on the Authorized Material List for flexible pavement crack treatment material, submit a certificate of compliance including:

1. Manufacturer's name
2. Production location
3. Brand or trade name
4. Designation
5. Batch or lot number
6. Crack treatment material type
7. Contractor or subcontractor name
8. Contract number
9. Lot size
10. Shipment date
11. Manufacturer's signature

If your selected crack treatment material is not on the Authorized Material List for flexible pavement crack treatment material, submit a sample and test results from each batch or lot 20 days before use. Testing must be performed by an authorized laboratory and test results must show compliance with the specifications. Test reports must include the information specified for the certificate of compliance submittal. Each hot-applied crack treatment material sample must be a minimum of 3 lb and submitted in a silicone release container. Each cold-applied crack treatment material sample must be a minimum of 2 quarts and submitted in a plastic container.

At least 10 days before the start of work, submit sand gradation test results under California Test 202.

Submit the following with each delivery of crack treatment material to the job site:

Airport Road Storm Damage Repair Project
PW No. 18-31120, CIP No 78717
May 15, 2018

County of El Dorado
Appendix A - RSS
AA-89

1. Manufacturer's heating and application instructions
2. Manufacturer's SDS
3. Name of the manufacturer's recommended detackifying agent

37-6.01D Quality Assurance

37-6.01D(1) General

Hot-applied crack treatment material must be sampled at least once per project in the Engineer's presence. Collect two 3-pounds-minimum samples of crack treatment material from the dispensing wand into silicone release boxes.

Cold-applied crack treatment material must be sampled at least once per project in the Engineer's presence. Collect 2 samples of crack treatment material from the dispensing wand into 1-quart containers.

37-6.01D(2) Quality Control

Reserved

37-6.01D(3) Department Acceptance

Crack treatment acceptance is based on:

1. Visual inspection for uniform filling of cracks throughout the work limits including:
 - 1.2. Crack treatment is not more than a 1/4 inch below the specified level
 - 1.3. Sealant failures
 - 1.4. Crack re-opening
 - 1.5. Crack overbanding is less than 3 inches wide
2. The Department's sampling and testing for compliance with the requirements shown in the following table:

Crack Treatment Acceptance Criteria

Quality characteristic ^a	Test method ^b	Requirement				
		Type 1	Type 2	Type 3	Type 4	Type 5
Softening point (min, °C)	ASTM D36	102	96	90	84	84
Cone penetration at 77 °F (max)	ASTM D5329	35	40	50	70	90
Resilience at 77 °F, unaged (%)	ASTM D5329	20–60	25–65	30–70	35–75	40–80
Flexibility (°C) ^c	ASTM D3111	0	0	0	-11	-28
Tensile adhesion (min, %)	ASTM D5329	300	400	400	500	500
Specific gravity (max)	ASTM D70	1.25	1.25	1.25	1.25	1.25
Asphalt compatibility	ASTM D5329	Pass	Pass	Pass	Pass	Pass
Sieve test (% passing)	See note d	100	100	100	100	100

^aCold-applied crack treatment material residue collected under ASTM D6943, Method B and sampled under ASTM D140 must comply with the grade specified.

^bExcept for viscosity, cure each specimen at a temperature of 23 ± 2 °C and a relative humidity of 50 ± 10 percent for 24 ± 2 hours before testing.

^cFor the flexibility test, the specimen size must be 6.4 ± 0.2 mm thick by 25 ± 0.2 mm wide by 150 ± 0.5 mm long. The test mandrel diameter must be 6.4 ± 0.2 mm. The bend arc must be 180 degrees. The bend rate must be 2 ± 1 seconds. At least 4 of 5 test specimens must pass at the specified test temperature without fracture, crazing, or cracking.

^dFor hot-applied crack treatment, dilute with toluene and sieve through a no. 8 sieve. For cold-applied crack treatment, sieve the material as-received through a no. 8 sieve. If the manufacturer provides a statement that added components passed the no. 16 sieve before blending, this requirement is void.

37-6.02 MATERIALS

37-6.02A General

Reserved

37-6.02B Crack Treatment Material

A crack treatment material must comply with the requirements shown in the following table:

Crack Treatment Material

Quality characteristic ^a	Test method ^b	Requirement				
		Type 1	Type 2	Type 3	Type 4	Type 5
Softening point (min, °C)	ASTM D36	102	96	90	84	84
Cone penetration at 77 °F (max)	ASTM D5329	35	40	50	70	90
Resilience at 77 °F, unaged (%)	ASTM D5329	20–60	25–65	30–70	35–75	40–80
Flexibility (°C) ^c	ASTM D3111	0	0	0	-11	-28
Tensile adhesion (min, %)	ASTM D5329	300	400	400	500	500
Specific gravity (max)	ASTM D70	1.25	1.25	1.25	1.25	1.25
Asphalt compatibility	ASTM D5329	Pass	Pass	Pass	Pass	Pass
Sieve test (% passing)	See note d	100	100	100	100	100

^aCold-applied crack treatment material residue collected under ASTM D6943, Method B and sampled under ASTM D140 must comply with the grade specifications.

^bExcept for viscosity, cure each specimen at a temperature of 23 ± 2 °C and a relative humidity of 50 ± 10 percent for 24 ± 2 hours before testing.

^cFor the flexibility test, the specimen size must be 6.4 ± 0.2 mm thick by 25 ± 0.2 mm wide by 150 ± 0.5 mm long. The test mandrel diameter must be 6.4 ± 0.2 mm. The bend arc must be 180 degrees. The bend rate must be 2 ± 1 seconds. At least 4 of 5 test specimens must pass at the specified test temperature without fracture, crazing, or cracking.

^dFor hot-applied crack treatment, dilute with toluene and sieve through a no. 8 sieve. For cold-applied crack treatment, sieve the material as-received through a no. 8 sieve. If the manufacturer provides a statement that added components passed the no. 16 sieve before blending, this requirement is void.

A crack treatment material must be delivered to the job site with the information listed below. If crack treatment material is delivered to the job site in containers, each container must be marked with the following information.

1. Manufacturer's name
2. Production location
3. Brand or trade name
4. Designation
5. Crack treatment trade name
6. Batch or lot number
7. Maximum heating temperature
8. Expiration date for cold application only

Hot-applied crack treatment must be delivered to the job site premixed in cardboard containers with meltable inclusion liners or in a fully meltable package.

Cold-applied crack treatment must have a minimum shelf life of 3 months from the date of manufacture.

37-6.02C Sand

Sand applied to tacky crack treatment material must be clean, free of clay, and comply with the gradation shown in the following table:

Sand Gradation

Quality characteristic	Test method	Requirement
Gradation (% passing by weight) Sieve size:	California Test 202	
No. 4		100
No. 50		0–30
No. 200		0–5

37-6.03 CONSTRUCTION

Treat cracks from 1/4 to 1 inch in width for the entire length of the crack. Fill or repair cracks wider than 1 inch as ordered. Filling cracks wider than 1 inch is change order work.

If treating cracks on a traffic lane adjacent to a shoulder, treat the cracks on the shoulder.

For hot-applied crack treatment material, rout cracks or saw cut to form a reservoir.

Cracks must be clean and dry before treating. Before treating, blast cracks with oil-free compressed air at a pressure of at least 90 psi.

If the pavement temperature is below 40 degrees F or if there is evidence of moisture in the crack, use a hot air lance immediately before applying crack treatment. The hot air lance must not apply flame directly on the pavement.

Heat and apply hot-applied crack treatment material under with the manufacturer's instructions.

Apply cold-applied crack treatment material with a distributor kettle, a piston, or a diaphragm barrel pump that can deliver from 50 to 75 psi. The application line must have a pressure gauge and a filter. The pressure in the application line must not exceed 20 psi. The pressure gauge must have a regulator. Use a high-pressure hose with a 1/2-inch NPT swivel connection and a dispensing wand.

Apply crack treatment with a nozzle inserted into the crack. Fill the crack flush. If after 2 days the crack treatment is more than 1/4 inch below the specified level, the sealant fails, or the crack re-opens, re-treat the crack.

Immediately remove crack treatment material that is spilled or deposited on the pavement surface.

Before opening to traffic, apply sand or the manufacturer's recommended detackifying agent to tacky crack treatment material on the traveled way.

Sweep up excess sand before opening to traffic.

37-6.04 PAYMENT

The payment quantity for crack treatment is the length measured in lane miles along the edge of each paved lane parallel to the pavement's centerline. The payment for a lane includes crack treatment of the adjacent shoulder.

37-7-37-10 RESERVED

^^^^^^^^^^^^^^^^^^^^^^^^^^^^^^^^^^^^^^^^^^^^^^^^^^^^^^^^^^^^^^^^^^^^^^^^^^^^^^^^^^^^^^^^^^^^^^^^^^^^

39 ASPHALT CONCRETE

07-15-16

Replace *SP-2* at each occurrence in section 39 with:

MS-2

01-15-16

Replace the 3rd paragraph of section 39-2.01A(1) with:

WMA technologies must be on the Authorized Material List for WMA authorized technologies.

07-15-16

Add between the 3rd and 4th paragraphs of section 39-2.01A(1):

For HMA that uses asphalt binder containing crumb rubber modifier, submit a Crumb Rubber Usage Report form monthly and at the end of the project.

04-15-16

Add to the table in the 4th paragraph of section 39-2.01A(1):

Asphalt Institute MS-2	7th edition (2015)
------------------------	--------------------

01-15-16

Add to item 8 in the 4th paragraph of section 39-2.01A(3)(b)(i):

, except lime supplier and source

07-15-16

Replace the headings and paragraphs of section 39-2.01A(3)(i) with:

39-2.01A(3)(i) Reserved

01-15-16

Replace the 2nd sentence in the 3rd paragraph of section 39-2.01A(4)(b) with:

Submit 3 parts and keep 1 part.

01-15-16

Add between *single* and *test* in the 7th paragraph of section 39-2.01A(4)(i)(i):

aggregate or HMA

07-15-16

Replace the 1st paragraph of section 39-2.01B(2)(b) with:

If the proposed JMF indicates that the aggregate is being treated with dry lime or lime slurry with marination, or the HMA with liquid antistripping, then testing the untreated aggregate under AASHTO T 283 and AASHTO T 324 is not required.

07-15-16

If HMA treatment is required or being used by the Contractor, determine the plasticity index of the aggregate blend under California Test 204.

Add between *aggregate* and *with dry lime* in the 3rd and 4th paragraphs of section 39-2.01B(2)(b):
blend

07-15-16

Replace the 9th through 11th paragraphs of section 39-2.01B(8)(a) with:

07-15-16

HMA must be produced at the temperatures shown in the following table:

HMA Production Temperatures	
HMA compaction	Temperature (°F)
HMA	
Density based	≤ 325
Method	305–325
HMA with WMA technology	
Density based	240–325
Method	260–325

04-15-16

Delete the 1st paragraph of section 39-2.01B(11).

Add after the 2nd paragraph of section 39-2.01B(11):

04-15-16

For miscellaneous areas and dikes:

1. Choose the aggregate gradation from:
 - 1.1. 3/8-inch Type A HMA aggregate gradation
 - 1.2. 1/2-inch Type A HMA aggregate gradation
 - 1.3. 1/2-inch dike mix aggregate gradation
2. Choose asphalt binder Grade PG 64-10, PG 64-16 or PG 70-10.
3. Minimum asphalt binder content must be:
 - 3.1. 6.40 percent for 3/8-inch Type A HMA aggregate gradation
 - 3.2. 5.70 percent for 1/2-inch Type A HMA aggregate gradation
 - 3.3. 6.40 percent for 1/2-inch dike mix aggregate gradation

If you request and the Engineer authorizes, you may reduce the minimum asphalt binder content.

Aggregate gradation for 1/2-inch dike mix must be within the TV limits for the specified sieve size shown in the following table:

**Aggregate Gradation for 1/2-inch Dike Mix
(Percentage Passing)**

Sieve size	Target value limit	Allowable tolerance
3/4"	100	--
1/2"	90–95	TV ± 5
No. 4	70–75	TV ± 5
No. 8	23–25	TV ± 5
No. 50	15–35	TV ± 5
No. 200	7.0–13.0	TV ± 2.0

Replace item 4 in the 2nd paragraph of section 39-2.01C(1) with:

07-15-16

- 4. For method compaction:
 - 4.1. The temperature of the HMA and the HMA produced with WMA water injection technology in the windrow does not fall below 260 degrees F
 - 4.2. The temperature of the HMA produced using WMA additive technology in the windrow does not fall below 250 degrees F

Delete item 3 in the 8th paragraph of section 39-2.01C(1).

07-15-16

Replace 39-2.01A(3)(m)(iv) in the 6th paragraph of section 39-2.01C(3)(e) with:

36-3.01C(3)

01-15-16

Replace 2.06 in the 4th paragraph of section 39-2.01C(3)(f) with:

2.05

07-15-16

Add to the end of section 39-2.01C(15)(b):

The compacted lift thickness must not exceed 0.25 foot.

07-15-16

Add between *rectangles* and *with* in the 4th paragraph of section 39-2.01C(16):

, half the lane width,

04-15-16

Add between *to* and *the* in item 1 of the 4th paragraph of section 39-2.01C(16):

and along

04-15-16

Delete *coat* in the 5th paragraph of section 39-2.01C(16).

Replace 37 in the 5th paragraph of section 39-2.01C(16) with:

07-15-16

37-4.02

Replace section 39-2.02A(3)(b) with:

01-15-16

The JMF must be based on the superpave HMA mix design as described in *MS-2 Asphalt Mix Design Methods* by the Asphalt Institute.

Add between the 1st and 2nd paragraphs of section 39-2.02C:

07-15-16

If the ambient air temperature is below 60 degrees F, cover the loads in trucks with tarpaulins. If the time for HMA discharge to truck at the HMA plant until transfer to paver's hopper is 90 minutes or greater and if the ambient air temperature is below 70 degrees F, cover the loads in trucks with tarpaulins, unless the time from discharging to the truck until transfer to the paver's hopper or the pavement surface is less than 30 minutes. The tarpaulins must completely cover the exposed load until you transfer the mixture to the paver's hopper or the pavement surface.

Replace the table in the 2nd paragraph of section 39-2.02C with:

07-15-16

Minimum Ambient Air and Surface Temperatures

Lift thickness (feet)	Ambient air (°F)		Surface (°F)	
	Unmodified asphalt binder	Modified asphalt binder	Unmodified asphalt binder	Modified asphalt binder
Type A HMA and Type A HMA produced with WMA water injection technology				
<0.15	55	50	60	55
≥0.15	45	45	50	50
Type A HMA produced with WMA additive technology				
<0.15	45	45	50	45
≥0.15	40	40	40	40

07-15-16

Delete the 3rd paragraph of section 39-2.02C.

Add between *HMA* and *placed* in the 1st sentence of the 4th paragraph of section 39-2.02C:

07-15-16

and Type A HMA produced with WMA water injection technology

Add between the 4th and the 5th paragraphs of section 39-2.02C:

07-15-16

For Type A HMA produced with WMA additive technology placed under method compaction, if the asphalt binder is:

1. Unmodified, complete:
 - 1.1 1st coverage of breakdown compaction before the surface temperature drops below 240 degrees F
 - 1.2 Breakdown and intermediate compaction before the surface temperature drops below 190 degrees F
 - 1.3 Finish compaction before the surface temperature drops below 140 degrees F
 - 1.4 You may continue static rolling below 140 degrees F to remove roller marks.
2. Modified, complete:
 - 2.1 1st coverage of breakdown compaction before the surface temperature drops below 230 degrees F
 - 2.2 Breakdown and intermediate compaction before the surface temperature drops below 170 degrees F
 - 2.3 Finish compaction before the surface temperature drops below 130 degrees F
 - 2.4 You may continue static rolling below 130 degrees F to remove roller marks.

Replace the 2nd paragraph of section 39-2.03A(3)(b) with:

01-15-16

The JMF must be based on the superpave HMA mix design as described in *MS-2 Asphalt Mix Design Methods* by the Asphalt Institute.

Replace the requirement in the row for *Voids in mineral aggregate on plant produced HMA* in the 2nd table in section 39-2.03A(4)(e)(i) with:

01-15-16

18.0-23.0

Add before the 1st paragraph of section 39-2.03A(4)(e)(ii)(C):

04-15-16

CRM used must be on the Authorized Materials List for Crumb Rubber Modifier.

CRM must be a ground or granulated combination of scrap tire crumb rubber and high natural scrap tire crumb rubber, CRM must be 75.0 ± 2.0 percent scrap tire crumb rubber and 25.0 ± 2.0 percent high natural scrap tire crumb rubber by total weight of CRM. Scrap tire crumb rubber and high natural scrap tire crumb rubber must be derived from waste tires described in Pub Res Code § 42703.

Replace the row for *Hamburg wheel track* in the table in section 39-2.03B(2) with:

01-15-16

Hamburg wheel track (min, number of passes at the inflection point)	AASHTO T 324 (Modified) ^d	
Binder grade:		
PG 58		10,000
PG 64		12,500
PG 70		15,000

Replace *RHMA-G* in the 3rd and 5th paragraphs of section 39-2.03C with:

07-15-16

RHMA-G and RHMA-G produced with WMA water injection technology

Add between the 5th and 6th paragraphs of section 39-2.03C:

07-15-16

For RHMA-G produced with WMA additive technology placed under method compaction:

1. Complete the 1st coverage of breakdown compaction before the surface temperature drops below 260 degrees F
2. Complete breakdown and intermediate compaction before the surface temperature drops below 230 degrees F
3. Complete finish compaction before the surface temperature drops below 180 degrees F
4. You may continue static rolling below 140 degrees F to remove roller marks

Replace the 6th and 7th paragraphs of section 39-2.04C with:

07-15-16

For HMA-O and HMA-O produced with WMA water injection technology:

1. With unmodified asphalt binder:
 - 1.1. Spread and compact only if the atmospheric temperature is at least 55 degrees F and the surface temperature is at least 60 degrees F.
 - 1.2. Complete the 1st coverage using 2 rollers before the surface temperature drops below 240 degrees F.
 - 1.3. Complete all compaction before the surface temperature drops below 200 degrees F.

2. With modified asphalt binder, except asphalt rubber binder:
 - 2.1. Spread and compact only if the atmospheric temperature is at least 50 degrees F and the surface temperature is at least 50 degrees F.
 - 2.2. Complete the 1st coverage using 2 rollers before the surface temperature drops below 240 degrees F.
 - 2.3. Complete all compaction before the surface temperature drops below 180 degrees F.

For HMA-O produced with WMA additive technology:

1. With unmodified asphalt binder:
 - 1.1. Spread and compact only if the atmospheric temperature is at least 45 degrees F and the surface temperature is at least 50 degrees F.

- 1.2. Complete the 1st coverage using 2 rollers before the surface temperature drops below 230 degrees F.
- 1.3. Complete all compaction before the surface temperature drops below 190 degrees F.
2. With modified asphalt binder, except asphalt rubber binder:
 - 2.1. Spread and compact only if the atmospheric temperature is at least 40 degrees F and the surface temperature is at least 40 degrees F.
 - 2.2. Complete the 1st coverage using 2 rollers before the surface temperature drops below 230 degrees F.
 - 2.3. Complete all compaction before the surface temperature drops below 170 degrees F.

Replace *RHMA-O* and *RHMA-O-HB* in the 8th paragraph of section 39-2.04C with:

RHMA-O and RHMA-O produced with WMA water injection technology, and RHMA-O-HB and RHMA-O-HB produced with WMA water injection technology 07-15-16

Add between the 8th and 9th paragraphs of section 39-2.04C:

For RHMA-O produced with WMA additive technology and RHMA-O-HB produced with WMA additives technology: 07-15-16

1. Spread and compact if the ambient air temperature is at least 45 degrees F and the surface temperature is at least 50 degrees F
2. Complete the 1st coverage using 2 rollers before the surface temperature drops below 270 degrees F
3. Complete all compaction before the surface temperature drops below 240 degrees F

Add to the 2nd paragraph of section 39-2.05A(3)(b):

The material transfer vehicle must receive HMA directly from the truck. 01-15-16

Replace *Table 6.1* at each occurrence in the table in section 39-2.05B(2) with:

Table 8.1 01-15-16

Replace *SP-2 Asphalt Mixture* in the 1st footnote in the table in the 2nd paragraph of section 39-2.05B(2)(b) with:

MS-2 Asphalt Mix Design Methods 01-15-16

Replace *Manual Series No. 2 (MS-2)* in the 1st footnote in the table in the 2nd paragraph of section 39-2.05B(2)(b) with:

MS-2 Asphalt Mix Design Methods 01-15-16

Replace 39-3.05 in the 1st paragraph of section 39-3.04A with:

39-3.04

01-15-16

Add to the end of section 39-3.04A:

Schedule cold planing activities such that the pavement is cold planed, the HMA is placed, and the area is opened to traffic during the same work shift.

07-15-16

Delete the 2nd sentence of the 1st paragraph in section 39-3.04C(4).

07-15-16

Replace 39-3.06 in the 1st paragraph of section 39-3.05A with:

39-3.05

01-15-16

^^^^^^^^^^^^^^^^^^^^^^^^^^^^^^^^^^^^^^^^^^^^^^^^^^^^^^^^^^^^^^^^^^^^^^^^^^^^^^^^^^^^^^^^^^^^

DIVISION VI STRUCTURES

47 EARTH RETAINING SYSTEMS

07-15-16

Replace the 6th paragraph in section 47-2.02A with:

Rock for rock slope protection at drain pipe outlets must be small-rock slope protection and must comply with the gradation specified for 7-inch-thick layer in section 72-4.02.

07-15-16

^^^^^^^^^^^^^^^^^^^^^^^^^^^^^^^^^^^^^^^^^^^^^^^^^^^^^^^^^^^^^^^^^^^^^^^^^^^^^^^^^^^^^^^^^^^^

49 PILING

07-15-16

Delete the 2nd paragraph of section 49-1.01A.

04-15-16

Replace the 1st sentence in the 5th paragraph of section 49-1.01D(3) with:

Load test and anchor piles must comply with the specifications for piling as described and Class N steel pipe piling.

07-15-16

Add to the list in 7th paragraph of section 49-1.01D(3):

- 5. Welds that connect the anchor pile and the anchor pile head must be tested under section 49-2.02A(4)(b)(iii)(C)

07-15-16

Replace the 10th paragraph of section 49-1.01D(3) with:

07-15-16

Furnish labor, materials, tools, equipment, and incidentals as required to assist the Department in the transportation, installation, operation, and removal of Department-furnished steel load test beams, jacks, bearing plates, drills, and other test equipment. This is change order work.

Replace the 7th paragraph of section 49-1.01D(4) with:

07-15-16

Piles to be dynamically monitored must:

1. Have an additional length of 2 times the pile diameter plus 2 feet.
2. Be available to the Department at least 2 business days before driving.
3. Be safely supported at least 6 inches off the ground in a horizontal position on at least 2 support blocks. If requested, rotate the piles on the blocks.
4. Be positioned such that the Department has safe access to the entire pile length and circumference for the installation of anchorages and control marks for monitoring.

Delete *business* in item 6 in the list in the 8th paragraph of section 49-1.01D(4).

07-15-16

Add to the list in 9th paragraph of section 49-1.01D(4):

3. Cut pile to the specified cut-off elevation after bearing acceptance criteria is provided by the Department

07-15-16

Delete the 3rd paragraph of section 49-1.03.

04-15-16

Delete the 2nd paragraph of section 49-1.04.

04-15-16

Delete the 4th paragraph of section 49-2.01C(5).

01-15-16

Replace item 3 in the list in the 2nd paragraph of section 49-3.01A with:

3. CISS concrete piles

07-15-16

Add between *undisturbed material* and *in a dry* in the 1st paragraph of section 49-3.01C:

, casing, or steel shell

07-15-16

Replace the 2nd and 3rd paragraphs of section 49-3.01C with:

07-15-16

Place and secure reinforcement. Securely block the reinforcement to provide the minimum clearance shown between the reinforcing steel cage and the sides of the drilled hole, casing, or steel shell.

Steel shells, casings, and drilled holes must be clean and free of debris before reinforcement and concrete are placed.

Replace *dewatered* in the 4th paragraphs of section 49-3.01C with:

07-15-16

drilled

Add to section 49-3.02A(1):

07-15-16

Permanent steel casing and driven steel shell must comply with section 49-2.02.

Replace the paragraph of section 49-3.02A(2) with:

07-15-16

dry hole: A drilled hole that requires no work to keep it free of water.

dewatered hole: A drilled hole that:

1. Accumulates no more than 12 inches of water at the bottom during a 1 hour period without any pumping from the hole.
2. Has no more than 3 inches of water at the bottom immediately before placing concrete.
3. Does not require temporary casing to control the groundwater.

Replace item 8 in the list in the 1st paragraph of section 49-3.02A(3)(b) with:

07-15-16

8. Drilling plan and sequence
9. Concrete sequence and placement plan
10. If inspection pipes are required, methods for ensuring the inspection pipes remain straight, undamaged, and properly aligned during concrete placement

Replace *1 business day* in the paragraph of section 49-3.02A(3)(d) with:

07-15-16

2 business days

Add to section 49-3.02A(3)(d):

07-15-16

The log must:

1. Show the pile location, tip elevation, cutoff elevation, dates of excavation and concrete placement, total quantity of concrete placed, length and tip elevation of any casing, and details of any hole stabilization method and materials used.
2. Include an 8-1/2 by 11 inch graph of concrete placed versus depth of hole filled as follows:

- 2.1. Plot the graph continuously throughout concrete placement. Plot the depth of drilled hole filled vertically with the pile tip at the bottom and the quantity of concrete placed horizontally.
- 2.2. Take readings at each 5 feet of pile depth, and indicate the time of the reading on the graph.

Add after the sentence in the paragraph of section 49-3.02A(3)(e):

Allow 10 days for the review.

07-15-16

Replace the 3rd sentence in the paragraph of section 49-3.02A(3)(f) with:

Allow 10 days for the review and analysis of this report.

07-15-16

Add after *rejected pile* in the 1st sentence in the 1st paragraph of section 49-3.02A(3)(g):

to be mitigated

07-15-16

Delete the 2nd paragraph of section 49-3.02A(3)(g).

07-15-16

Replace item 3 in the list in the 3rd paragraph of section 49-3.02A(3)(g) with:

3. Step by step description of the mitigation work to be performed, including drawings if necessary. If the *ADSC Standard Mitigation Plan* is an acceptable mitigation method, include the most recent version. For the most recent version of the *ADSC Standard Mitigation Plan*, go to:
<http://www.dot.ca.gov/hq/esc/geotech/ft/adscmitplan.htm>

07-15-16

Replace the 2nd sentence in the paragraph of section 49-3.02A(3)(i) with:

Allow 10 days for the review.

07-15-16

Add to section 49-3.02A(3):

49-3.02A(3)(j) Certifications

If synthetic slurry is used, submit as an informational submittal the names and certifications of your employees who are trained and certified by the synthetic slurry manufacturer.

07-15-16

Add after *excavated hole* in the 1st sentence in the 3rd paragraph of section 49-3.02A(4)(c):

lined with plastic

07-15-16

Replace the 1st paragraph of section 49-3.02A(4)(d)(i) with:

07-15-16

Section 49-3.02A(4)(d) applies to CIDH concrete piles except for piles (1) less than 24 inches in diameter or (2) constructed in dry or dewatered holes.

Replace *gamma-gamma logging* in the 2nd paragraph of section 49-3.02A(4)(d)(i) with:

07-15-16

GGL

Replace the 1st sentence in the 3rd paragraph of section 49-3.02A(4)(d)(i) with:

07-15-16

After notification by the Engineer of pile acceptance, fill the inspection pipes and cored holes with grout.

Replace *gamma-gamma logging* in section 49-3.02A(4)(d)(ii) with:

07-15-16

GGL

Replace the 3rd and 4th paragraphs of section 49-3.02A(4)(d)(iii) with:

07-15-16

The Department may perform CSL to determine the extent of the anomalies identified by GGL and to further evaluate a rejected pile for the presence of anomalies not identified by GGL. The pile acceptance test report will indicate if the Department intends to perform CSL and when the testing will be performed. Allow the Department 20 additional days for a total of 50 days to perform CSL and to provide supplemental results.

If authorized, you may perform testing on the rejected pile.

07-15-16

Delete the 8th paragraph of section 49-3.02A(4)(d)(iii).

Add to the end of section 49-3.02A(4)(d)(iii):

07-15-16

If the Engineer determines it is not feasible to repair the rejected pile, submit a mitigation plan for replacement or supplementation of the rejected pile.

Add to section 49-3.02A(4):

07-15-16

49-3.02A(4)(e) Certifications

If synthetic slurry is used, your employees who will be providing technical assistance in the slurry activities must be trained and certified by the synthetic slurry manufacturer to show their competency to perform inspection of slurry operations.

Replace section 49-3.02B(4) with:

07-15-16

49-3.02B(4) Reserved

Replace *near* in the 3rd, 4th, and 5th paragraphs of section 49-3.02B(6)(b) with:

07-15-16

within 2 feet of

Replace *twice per shift* in item 2 in the 3rd paragraph of section 49-3.02B(6)(b) with:

07-15-16

every 4 hours

Delete the 7th and 8th paragraphs of section 49-3.02B(6)(b).

07-15-16

Delete the 3rd paragraph of section 49-3.02B(6)(c).

07-15-16

Replace *near* in item 2 in the 4th paragraph of section 49-3.02B(6)(c) with:

07-15-16

within 2 feet of

Replace item 5 in the 4th paragraph of section 49-3.02B(6)(c) with:

07-15-16

5. After final cleaning and immediately before placing concrete.

Replace section 49-3.02B(9) with:

07-15-16

49-3.02B(9) Inspection Pipes

Inspection pipes must be schedule 40 PVC pipe complying with ASTM D1785 with a nominal pipe size of 2 inches.

Watertight PVC couplers complying with ASTM D2466 are allowed to facilitate pipe lengths in excess of those commercially available.

Add to the beginning of section 49-3.02C(1):

07-15-16

Unless otherwise authorized, drilling the hole and placing reinforcement and concrete in the hole must be performed in a continuous operation.

Replace the 5th paragraph of section 49-3.02C(2) with:

07-15-16

If slurry is used during excavation, maintain the slurry level at a height required to maintain a stable hole, but not less than 10 feet above the piezometric head.

Replace the 1st sentence in the 9th paragraph of section 49-3.02C(2) with:

07-15-16

Remove water that has infiltrated the dewatered hole before placing concrete, as required for dewatered hole.

Replace the 1st sentence in the 10th paragraph of section 49-3.02C(2) with:

07-15-16

If authorized, to control caving or water seepage, you may enlarge portions of the hole, backfill the hole with slurry cement backfill, concrete, or other material, and redrill the hole to the diameter shown.

Replace the 4th paragraph of section 49-3.02C(3) with:

07-15-16

Remove the temporary casing during concrete placement. Maintain the concrete in the casing at a level required to maintain a stable hole, but not less than 5 feet above the bottom of the casing, to prevent displacement of the concrete by material from outside the casing.

Replace the 5th paragraph of section 49-3.02C(4) with:

07-15-16

For a single CIDH concrete pile supporting a column:

1. If the pile and the column share the same reinforcing cage diameter, this cage must be accurately placed as shown
2. If the pile reinforcing cage is larger in diameter than the column cage:
 - 2.1. Maintain a clear horizontal distance of at least 3.5 inches between the two cages, if the concrete is placed under dry conditions
 - 2.2. Maintain a clear horizontal distance of at least 5 inches between the two cages if the concrete is placed under slurry
 - 2.3. The offset between the centerlines of the two cages must not exceed 6 inches

Replace the paragraphs in section 49-3.02C(5) with:

07-15-16

For acceptance testing, install and test vertical inspection pipes as follows:

1. Log the location of the inspection pipe couplers with respect to the plane of pile cutoff.
2. Cap each inspection pipe at the bottom. Extend the pipe from 3 feet above the pile cutoff to the bottom of the reinforcing cage. Provide a temporary top cap or similar means to keep the pipes clean before testing. If pile cutoff is below the ground surface or working platform, extend inspection pipes to 3 feet above the ground surface or working platform.
3. If any changes are made to the pile tip, extend the inspection pipes to the bottom of the reinforcing cage.
4. Install inspection pipes in a straight alignment and parallel to the main reinforcement. Securely fasten inspection pipes in place and provide protective measures to prevent misalignment or damage to the inspection pipes during installation of the reinforcement and placement of concrete in the hole. Construct CIDH concrete piles such that the relative distance of inspection pipes to vertical steel reinforcement remains constant.

5. After concrete placement is complete, fill inspection pipes with water to prevent debonding of the pipe.
6. Provide safe access to the tops of the inspection pipes.
7. After placing concrete and before requesting acceptance testing, test each inspection pipe in the Engineer's presence by passing a rigid cylinder through the length of pipe. The rigid cylinder must be 1-1/4-inch diameter by 4.5-foot long, weigh 12 pounds or less, and be able to freely pass down through the entire length of the pipe under its own weight and without the application of force.
8. When performing acceptance testing, inspection pipes must provide a 2-inch-diameter clear opening and be completely clean, unobstructed, and either dry or filled with water as authorized.
9. After acceptance testing is complete, completely fill the inspection pipes with water.

If the rigid cylinder fails to pass through the inspection pipe:

1. Completely fill the inspection pipes in the pile with water immediately.
2. Core a nominal 2-inch-diameter hole through the concrete for the entire length of the pile for each inspection pipe that does not pass the rigid cylinder. Coring must not damage the pile reinforcement.
3. Locate cored holes as close as possible to the inspection pipes they are replacing and no more than 5 inches clear from the reinforcement.

Core holes using a double wall core barrel system with a split tube type inner barrel. Coring with a solid type inner barrel is not allowed.

Coring methods and equipment must provide intact cores for the entire length of the pile.

Photograph and store concrete cores as specified for rock cores in section 49-1.01D(5).

The coring operation must be logged by an engineering geologist or civil engineer licensed in the State and experienced in core logging. Coring logs must comply with the Department's *Soil and Rock Logging, Classification, and Presentation Manual* for rock cores. Coring logs must include core recovery, rock quality designation of the concrete, locations of breaks, and complete descriptions of inclusions and voids encountered during coring.

The Department evaluates the portion of the pile represented by the cored hole based on the submitted coring logs and concrete cores. If the Department determines a pile is anomalous based on the coring logs and concrete cores, the pile is rejected.

Replace item 2 in the list in the 2nd paragraph of section 49-3.02C(7) with:

2. Extend at least 5 feet below the construction joint. If placing casing into rock or a dry hole, the casing must extend at least 2 feet below the construction joint.

07-15-16

Add to the beginning of section 49-3.02C(9):

49-3.02C(9)(a) General

07-15-16

Replace the 2nd sentence of the 3rd paragraph of section 49-3.02C(9) with:

Do not vibrate the concrete.

04-15-16

Add after concrete pump in the 8th paragraph of section 49-3.02C(9):

07-15-16

and slurry pump

Replace item 3 in the list in the 11th paragraph of section 49-3.02C(9) with:

07-15-16

3. Maintain the slurry level at a height required to maintain a stable hole, but not less than 10 feet above the piezometric head.

Replace the 13th paragraph of section 49-3.02C(9) with:

07-15-16

Maintain a log of concrete placement for each drilled hole.

Replace 14th and 15th paragraphs of section 49-3.02C(9) with:

07-15-16

If a temporary casing is used, maintain concrete placed under slurry at a level required to maintain a stable hole, but not less than 5 feet above the bottom of the casing. The withdrawal of the casing must not cause contamination of the concrete with slurry.

The equivalent hydrostatic pressure inside the casing must be greater than the hydrostatic pressure on the outside of the casing to prevent intrusion of water, slurry, or soil into the column of freshly placed concrete.

Remove scum, laitance, and slurry-contaminated concrete from the top of the pile.

Add to section 49-3.02C(9):

07-15-16

49-3.02C(9)(b) Mineral Slurry

Remove any caked slurry on the sides or bottom of hole before placing reinforcement.

If concrete is not placed immediately after placing reinforcement, the reinforcement must be removed and cleaned of slurry, the sides of the drilled hole must be cleaned of caked slurry, and the reinforcement again placed in the hole for concrete placement.

49-3.02C(9)(c) Synthetic Slurry

A manufacturer's representative must:

1. Provide technical assistance for the use of their material
2. Be at the job site before introduction of the synthetic slurry into the drilled hole
3. Remain at the job site until released by the Engineer

After the manufacturer's representative has been released by the Engineer, your employee certified by the manufacturer must be present during the construction of the pile under slurry.

Replace the heading of section 49-3.03 with:

07-15-16

CAST-IN-STEEL SHELL CONCRETE PILING

Replace the 1st paragraph of section 49-3.03A(1) with:

07-15-16

Section 49-3.03 includes specifications for constructing CISS concrete piles consisting of driven open-ended or closed-ended steel shells filled with reinforcement and concrete.

Add to the end of section 49-3.03A(1):

07-15-16

CISS concrete piles include Class 90 Alternative V and Class 140 Alternative V piles.

Add to section 49-3.03A(3):

01-15-16

Submit a Pile and Driving Data Form under section 49-2.01A(3)(a) if specified in the special provisions.

Replace the paragraph of section 49-3.03D with:

07-15-16

Furnish piling is measured along the longest side of the pile from the specified tip elevation shown to the plane of pile cutoff.

Replace section 49-4.03 with:

01-15-16

49-4.03 CONSTRUCTION

49-4.03A General

Reserved

49-4.03B Drilled Holes

Drill holes for steel soldier piles into natural foundation material. Drilled holes must be accurately located, straight, and true.

Furnish and place temporary casings or tremie seals where necessary to control water or to prevent caving of the hole.

Before placing the steel soldier pile, remove loose materials existing at the bottom of the hole after drilling operations have been completed.

Do not allow surface water to enter the hole. Remove all water in the hole before placing concrete.

If temporary casings are used, they must comply with section 49-3.02C(3).

49-4.03C Steel Soldier Piles

Plumb and align the pile before placing concrete backfill and lean concrete backfill. The pile must be at least 2 inches clear of the sides of the hole for the full length of the hole to be filled with concrete backfill and lean concrete backfill. Ream or enlarge holes that do not provide the clearance around steel piles.

Maintain alignment of the pile in the hole while placing backfill material.

Clean and prepare piles in anticipated heat affected areas before splicing steel piles or welding concrete anchors.

AAAAAAAAAAAAAAAAAAAAAAAAAAAAAAAAAAAAAAAA

50 PRESTRESSING CONCRETE

07-15-16

Add to the end of section 50-1.01C:

07-15-16

50-1.01C(8) Post-tensioning Jack Calibration Chart

Submit the post-tensioning jack calibration plot.

50-1.01C(9) Pretensioning Jack Calibration Chart

For any pretensioning jack calibrated by an authorized laboratory, submit a certified calibration plot.

Replace section 50-1.01D(2)(b) with:

07-15-16

50-1.01D(2)(b) Equipment and Calibration

50-1.01D(2)(b)(i) General

Each jack body must be permanently marked with the ram area.

Each pressure gauge must be fully functional and have an accurately reading, clearly visible dial or display. The dial must be at least 6 inches in diameter and graduated in 100 psi increments or less.

Each load cell must be calibrated and have an indicator that can be used to determine the force in the prestressing steel.

The range of each load cell must be such that the lower 10 percent of the manufacturer's rated capacity is not used in determining the jacking force.

Each jack must be calibrated equipped with its gauges.

Mechanically calibrate the gauges with a dead weight tester or other authorized means before calibration of the jacking equipment.

50-1.01D(2)(b)(ii) Post-tensioning

Equip each hydraulic jack used to tension prestressing steel with 2 pressure gauges or 1 pressure gauge and a load cell. Only 1 pressure gauge must be connected to the jack during stressing.

Each jack used to tension prestressing steel permanently anchored at 25 percent or more of its specified minimum ultimate tensile strength must be calibrated by METS within 1 year of use and after each repair. You must:

1. Schedule the calibration of the jacking equipment with METS.
2. Verify that the jack and supporting systems are complete, with proper components, and are in good operating condition.
3. Provide labor, equipment, and material to (1) install and support the jacking and calibration equipment and (2) remove the equipment after the calibration is complete.
4. Plot the calibration results.

Each jack used to tension prestressing steel permanently anchored at less than 25 percent of its specified minimum ultimate tensile strength must be calibrated by an authorized laboratory within 180 days of use and after each repair.

50-1.01D(2)(b)(iii) Pretensioning

Each jack used to pretension prestressing steel must be calibrated, equipped with its gauges, by a laboratory on the Authorized Laboratory List within 1 year of use and after each repair.

Calibrate pretensioning jacks:

- 1. Under ASTM E4 using an authorized laboratory. Certification that the calibration is performed to ASTM accuracy is not required.
- 2. In the presence of the Engineer. Notify the Engineer at least 2 business days before calibrating the jack.
- 3. Using 3 test cycles. Average the forces from each test cycle at each increment.
- 4. To cover the load range used in the work.

Gauges for pretensioning jacks may:

- 1. Be electronic pressure indicators that display either:
 - 1.1. Pressure in 100 psi increments or less
 - 1.2. Load to 1 percent of the maximum sensor/indicator capacity or 2 percent of the maximum load applied, whichever is smaller
- 2. Have a dial less than 6 inches in diameter

Gauges displaying pressure must have been calibrated within 1 year of the jack calibration.

Each hydraulic jack used for pretensioning must be equipped with either 2 gauges or 1 gauge and a load cell or you must have a calibrated standby jack with its gauge present on site during stressing.

^^^^^^^^^^^^^^^^^^^^^^^^^^^^^^^^^^^^^^^^^^^^^^^^^^^^^^^^^^^^^^^^^^^^^^^^^^^^^^^^^^^^^^^^^^^^

51 CONCRETE STRUCTURES

07-15-16

Add to the list in the 2nd paragraph of section 51-1.01A:

- 8. Pile extensions 04-15-16
- 9. Drainage inlets 07-15-16

Add to the list in the 6th paragraph of section 51-1.01A:

- 7. Drainage inlets 07-15-16

Add to section 51-1.02I:

07-15-16

Metal frames, covers, grates, and other miscellaneous iron and steel used with drainage inlets must comply with section 75-2.

Add to section 51-1.03B:

07-15-16

You may use PC drainage inlets as an alternative to CIP drainage inlets.

Add between the 10th and 11th paragraphs of section 51-1.03C(2)(a):

07-15-16

For drainage inlets, extend the outside forms at least 12 inches below the top of the inlet. You may place concrete against excavated earth below this depth except:

1. You must use full-depth outside forms or other protection when work activities or unstable earth may cause hazardous conditions or contamination of the concrete.
2. You must increase the wall thickness 2 inches if placing concrete against the excavated surface. The interior dimensions must be as shown.

Add to section 51-1.03C(2)(b):

07-15-16

For drainage inlets, remove exterior forms to at least 12 inches below the final ground surface. Exterior forms below this depth may remain if their total thickness is not more than 1 inch.

Add to the list in the 2nd paragraph of section 51-1.03F(2):

07-15-16

4. Interior and top surfaces of drainage inlets

Add to section 51-1.04:

07-15-16

The payment quantity for structural concrete, drainage inlet is the volume determined from the dimensions shown for CIP drainage inlets.

Add to section 51-4.01C(1):

07-15-16

For PC drainage inlets, submit field repair procedures and a patching material test sample before repairs are made. Allow 10 days for the Engineer's review.

Add to section 51-4.01C(2)(a):

07-15-16

For drainage inlets with oval or circular cross sections, submit shop drawings with calculations. Shop drawings and calculations must be sealed and signed by an engineer who is registered as a civil engineer in the State. Allow 15 days for the Engineer's review.

Add to section 51-4.01D(3):

07-15-16

The Engineer may reject PC drainage inlets exhibiting any of the following:

1. Cracks more than 1/32 inch wide
2. Nonrepairable honeycombed or spalled areas of more than 6 square inches

3. Noncompliance with reinforcement tolerances or cross sectional area shown
4. Wall, inlet floor, or lid less than minimum thickness
5. Internal dimensions less than dimensions shown by 1 percent or 1/2 inch, whichever is greater
6. Defects affecting performance or structural integrity

Add to section 51-4.02C:

07-15-16

Materials for PC drainage inlets must comply with the following:

1. Preformed flexible joint sealant must be butyl-rubber complying with ASTM C990
2. Resilient connectors must comply with ASTM C923
3. Sand bedding must comply with section 19-3.02F(2)
4. Bonding agents must comply with ASTM C1059/C1059, Type II

Add to section 51-4.02D:

07-15-16

51-4.02D(8) Drainage Inlets

PC units for drainage inlets must be rectangular, round, or oval in cross section, or any combination. Transitions from a rectangular grate opening to a round or oval basin must be made in not less than 8 inches. Provide means for field adjustment to meet final grade, paving, or surfacing.

If oval or circular shape cross-sections are furnished, they must comply with *AASHTO LRFD Bridge Design Specifications, Sixth Edition with California Amendments*.

Wall and slab thicknesses may be less than the dimensions shown by at most 5 percent or 3/16 inch, whichever is greater.

Reinforcement placement must not vary more than 1/2 inch from the positions shown.

Add to section 51-4.03:

07-15-16

51-4.03H Drainage Inlets

Repair PC drainage inlet sections to correct damage from handling or manufacturing imperfections before installation.

Center pipes in openings to provide a uniform gap. Seal gaps between the pipe and the inlet opening with nonshrink grout under the grout manufacturer's instructions. For systems designated as watertight, seal these gaps with resilient connectors.

Match fit keyed joints to ensure uniform alignment of walls and lids. Keys are not required at the inlet floor level if the floor is precast integrally with the inlet wall. Seal keyed joint locations with preformed butyl rubber joint sealant. You may seal the upper lid and wall joint with nonshrink grout.

Clean keyed joint surfaces before installing sealant. Joint surfaces must be free of imperfections that may affect the joint. Use a primer if surface moisture is present. Use a sealant size recommended by the sealant manufacturer. Set joints using sealant to create a uniform bearing surface.

Flat drainage inlet floors must have a field-cast topping layer at least 2 inches thick with a slope of 4:1 (horizontal:vertical) toward the outlet. Use a bonding agent when placing the topping layer. Apply the bonding agent under the manufacturer's instructions.

Replace the 2nd paragraph of section 51-7.01A with:

07-15-16

Minor structures include structures described as minor structures.

Delete the 4th paragraph of section 51-7.01B.

07-15-16

Delete the 1st and 3rd paragraphs of section 51-7.01C.

07-15-16

Delete the heading and paragraph of section 51-7.02.

07-15-16

^^^^^^^^^^^^^^^^^^^^^^^^^^^^^^^^^^^^^^^^^^^^^^^^^^^^^^^^^^^^^^^^

52 REINFORCEMENT

01-15-16

Replace the 3rd paragraph of section 52-6.03B with:

01-15-16

For uncoated and galvanized reinforcing bars complying with ASTM A615/A615M, Grade 60, ASTM A706/A706M, or ASTM A767/A767M, Class 1, the length of lap splices must be at least:

- 1. 45 diameters of the smaller bar spliced for reinforcing bars no. 8 or smaller
- 2. 60 diameters of the smaller bar spliced for reinforcing bars nos. 9, 10, and 11

For epoxy-coated reinforcing bars and alternatives to epoxy-coated reinforcing bars complying with ASTM A775/A775M, ASTM A934/A934M, ASTM A1035/A1035M, or ASTM A1055/A1055M, the length of lap splices must be at least:

- 1. 65 diameters of the smaller bar spliced for reinforcing bars no. 8 or smaller
- 2. 85 diameters of the smaller bar spliced for reinforcing bars nos. 9, 10, and 11

^^^^^^^^^^^^^^^^^^^^^^^^^^^^^^^^^^^^^^^^^^^^^^^^^^^^^^^^^^^^^^^^

53 SHOTCRETE

01-15-16

Replace 632 in item 1 in the list in the 3rd paragraph of section 53-1.02 with:

01-15-16

675

Replace item 2 in the list in the 3rd paragraph of section 53-1.02 with:

01-15-16

- 2. You may substitute a maximum of 30 percent coarse aggregate for the fine aggregate. Coarse aggregate must comply with section 90-1, except section 90-1.02C(4)(d) does not apply. The gradation for the coarse aggregate must comply with the gradation specified in section 90-1.02C(4)(b) for the 1/2 inch x No. 4 or the 3/8 inch x No. 8 primary aggregate nominal size.

Replace *shotcrete* in the 2nd sentence of the 4th paragraph of section 53-1.02 with:

01-15-16

concrete

^^^^^^^^^^^^^^^^^^^^^^^^^^^^^^^^^^^^^^^^^^^^^^^^^^^^^^^^^^^^^^^^^^^^^^^^

56 OVERHEAD SIGN STRUCTURES, STANDARDS, AND POLES

07-15-16

Replace section 56-1.01 with:

07-15-16

56-1.01 GENERAL

56-1.01A Summary

Section 56-1 includes general specifications for constructing overhead sign structures, standards, and poles.

56-1.01B Definitions

Reserved

56-1.01C Submittals

Reserved

56-1.01D Quality Assurance

56-1.01D(1) General

Reserved

56-1.01D(2) Quality Control

56-1.01D(2)(a) General

Reserved

56-1.01D(2)(b) Nondestructive Testing

56-1.01D(2)(b)(i) General

Perform NDT of steel members under AWS D1.1 and the requirements shown in the following table:

Nondestructive Testing for Steel Standards and Poles

Weld location	Weld type	Minimum required NDT
Circumferential splices around the perimeter of tubular sections, poles, and arms	CJP groove weld with backing ring	100% UT or RT
Longitudinal seam	CJP or PJP groove weld	Random 25% MT
Longitudinal seam within 6 inches of a circumferential splice	CJP groove weld	100% UT or RT
Welds attaching base plates, flange plates, pole plates, or mast arm plates to poles or arm tubes	CJP groove weld with backing ring and reinforcing fillet	$t \geq 5/16$ inch: 100% UT and 100% MT $t < 5/16$ inch: 100% MT after root weld pass and final weld pass
	External (top) fillet weld for socket-type connections	100% MT
Hand holes and other appurtenances	Fillet and PJP welds	MT full length on random 25% of all standards and poles

NOTE: t = pole or arm thickness

Nondestructive Testing for Overhead Sign Structures

Weld location	Weld type	Minimum required NDT
Base plate to post	CJP groove weld with backing ring and reinforcing fillet	100% UT and 100% MT
Base plate to gusset plate	CJP groove weld	100% UT
Circumferential splices of pipe or tubular sections	CJP groove weld with backing ring	100% UT or RT
Split post filler plate welds	CJP groove weld with backing bar	100% UT or RT
Longitudinal seam weld for pipe posts	CJP groove weld	t < 1/4 inch: 100% MT t ≥ 1/4 inch: 100% UT or RT
	PJP groove weld	Random 25% RT
Chord angle splice weld	CJP groove weld with backing bar	100% UT or RT
Truss vertical, diagonal, and wind angles to chord angles	Fillet weld	Random 25% MT
Upper junction plate to chord (cantilever type truss)	Fillet weld	Random 25% MT
Bolted field splice plates (tubular frame type)	CJP groove weld	100% UT and 100% MT
Cross beam connection plates (lightweight extinguishable message sign)	Fillet weld	Random 25% MT
Arm connection angles (lightweight extinguishable message sign)	Fillet weld	100% MT
Mast arm to arm plate (lightweight extinguishable message sign)	CJP groove weld with backing ring	t ≥ 5/16 inch: 100% UT and 100% MT t < 5/16 inch: 100% MT after root weld pass and final weld pass
Post angle to post (lightweight extinguishable message sign)	Fillet weld	100% MT
Hand holes and other appurtenances	Fillet and PJP welds	MT full length on random 25% of all sign structures

NOTE: t = pole or arm thickness

56-1.01D(2)(b)(ii) Ultrasonic Testing

For UT of welded joints with any members less than 5/16 inch thick or tubular sections less than 13 inches in diameter, the acceptance and repair criteria must comply with Clause 6.13.3.1 of AWS D1.1.

For UT of other welded joints, the acceptance and repair criteria must comply with Table 6.3 of AWS D1.1 for cyclically loaded nontubular connections.

After galvanization, perform additional inspection for toe cracks along the full length of all CJP groove welds at tube-to-transverse plate connections using UT.

When performing UT, use an authorized procedure under AWS D1.1, Annex S.

56-1.01D(2)(b)(iii) Radiographic Testing

The acceptance criteria for radiographic or real time image testing must comply with AWS D1.1 for tensile stress welds.

56-1.01D(2)(b)(iv) Longitudinal Seam Welds

The Engineer selects the random locations for NDT.

Grind the cover pass smooth at the locations to be tested.

If repairs are required in a portion of a tested weld, perform NDT on the repaired portion and on 25 percent of the untested portions of the weld. If more repairs are required, perform NDT on the entire weld.

56-1.01D(3) Department Acceptance

Reserved

Replace section 56-2.01D(2)(b) with:

Reserved

07-15-16

Replace the 2nd sentence of the 1st paragraph of section 56-2.02F with:

Manufactured pipe posts must comply with one of the following:

07-15-16

Add to the list in the 1st paragraph of section 56-2.02F:

- 4. ASTM A1085, Grade A

07-15-16

Replace the 2nd paragraph of section 56-2.02F with:

You may fabricate pipe posts from structural steel complying with ASTM A36/A36M, ASTM A709/A709M, Grade 36, or ASTM A572/A572M, Grades 42 or 50.

07-15-16

Delete the last sentence in the 1st paragraph of section 56-2.02K(2).

07-15-16

Delete the 3rd paragraph of section 56-2.02K(2).

07-15-16

Replace the 2nd paragraph of section 56-2.02K(4) with:

Safety cable at walkways must not be kinked, knotted, deformed, frayed, or spliced.

07-15-16

Replace the 1st sentence of the paragraph in section 56-2.02K(5) with:

The edges of handholes and other large post and arm openings must be ground smooth.

07-15-16

Replace the heading of section 56-3 with:

07-15-16

56-3 STANDARDS, POLES, PEDESTALS, AND POSTS

Replace the paragraph in section 56-3.01A with:

07-15-16

Section 56-3 includes general specifications for fabricating and installing standards, poles, pedestals, and posts.

Replace section 56-3.01B(2)(b) with:

07-15-16

Standards with handholes must comply with the following:

1. Include a UL-listed lug and 3/16-inch or larger brass or bronze bolt for attaching the bonding jumper for non-slip-base standards.
2. Attach a UL-listed lug to the bottom slip base plate with a 3/16-inch or larger brass or bronze bolt for attaching the bonding jumper for slip-base standards.

Replace the 1st sentence of the 3rd paragraph of section 56-3.01C(2)(a) with:

07-15-16

After each standard, pole, pedestal, and post is properly positioned, place mortar under the base plate.

Replace the 2nd sentence of the 4th paragraph of section 56-3.01C(2)(a) with:

07-15-16

The top of the foundation at curbs or sidewalks must be finished to curb or sidewalk grade.

Replace the 10th paragraph of section 56-3.01C(2)(a) with:

07-15-16

Except when located on a structure, construct foundations monolithically.

Replace the 13th paragraph of section 56-3.01C(2)(a) with:

07-15-16

Do not erect standards, poles, pedestals, or posts until the concrete foundation has cured for at least 7 days.

Replace the 14th paragraph in section 56-3.01C(2)(a) with:

07-15-16

The Engineer selects either the plumbing or raking technique for standards, poles, pedestals, and posts. Plumb or rake by adjusting the leveling nuts before tightening nuts. Do not use shims or similar devices. After final adjustments of both top nuts and leveling nuts on anchorage assemblies have been made and each standard, pole, pedestal, and post on the structure is properly positioned, tighten nuts as follows:

1. Tighten leveling nuts and top nuts, following a crisscross pattern, until bearing surfaces of all nuts, washers, and base plates are in firm contact.

2. Use an indelible marker to mark the top nuts and base plate with lines showing relative alignment of the nut to the base plate.
3. Tighten top nuts following a crisscross pattern:
 - 3.1. Additional 1/6 turn for anchor bolts greater than 1-1/2 inches in diameter.
 - 3.2. Additional 1/3 turn for other anchor bolts.
 - 3.3. Tightening tolerance for all top nuts is \pm 1/8 turn.

Replace the 1st sentence of the 4th paragraph of section 56-3.01C(2)(b) with:

07-15-16

If shown, use sleeve nuts on Type 1 standards.

Add to section 56-3.01C(2)(b):

07-15-16

Spiral reinforcement must be continuous above the bottom of the anchor bolts. The top termination must be either:

1. 1'-6" lap beyond the end of pitch with a 90-degree hook extending to the opposite side of the cage, or
2. 1'-6" lap beyond the end of pitch with 2 evenly spaced authorized mechanical couplers

Replace the 1st sentence of the paragraph in section 56-3.02A(4)(b) with:

07-15-16

For cast slip bases for standards and poles with shaft lengths of 15 feet or more, perform RT on 1 casting from each lot of a maximum of 50 castings under ASTM E94.

Replace the 2nd paragraph of section 56-3.02B(1) with:

07-15-16

Material for push button posts, pedestrian barricades, and guard posts must comply with ASTM A53/A53M or ASTM A500/A500M.

Add to section 56-3.02B(1):

07-15-16

Steel pipe standards and mast arms must be hot dip galvanized after manufacturing. Remove spikes from galvanized surfaces.

Replace the 2nd paragraph of section 56-3.02B(2) with:

07-15-16

HS anchor bolts, nuts, and washers must comply with section 55-1.02D(1) and the following:

1. Bolt threads must be rolled
2. Hardness of HS anchor bolts must not exceed 34 HRC when tested under ASTM F606
3. Galvanization must be by mechanical deposition
4. Nuts must be heavy-hex type
5. Each lot of nuts must be proof load tested

Replace the 2nd sentence of the 9th paragraph of section 56-3.02B(2) with:

07-15-16

During manufacturing, properly locate the position of the luminaire arm on the arm plate to avoid interference with the cap screw heads.

Add to section 56-3.02B(3)(a):

07-15-16

Steel having a nominal thickness greater than 2 inches that is used for tube-to-transverse plate connections must have a minimum CVN impact value of 20 ft-lb at 20 degrees F when tested under ASTM E23.

Add to section 56-3.02B(3)(c):

07-15-16

The length of telescopic slip-fit splices must be at least 1.5 times the inside diameter of the exposed end of the female section.

For welds connecting reinforced handholes or box-type pole plate connections to a tubular member, the start and stop points must be at points located on a longitudinal axis of symmetry of the tube coinciding with the axis of symmetry of the hand hole or pole plate.

Replace the table in the 1st paragraph of section 56-3.02C with:

07-15-16

Standard type	Torque (ft-lb)
15-SB	150
15-SBF	150
30	150
31	200

Replace the 1st sentence of the 2nd paragraph of section 56-3.02C with:

07-15-16

Bolted connections attaching signal or luminaire arms to standards, poles, and posts are considered slip critical.

Add to section 56-3.06B:

07-15-16

Manufacture the mast arm from standard pipe, free from burrs. Each mast arm must have an insulated wire inlet and wood pole mounting brackets for the mast arm and tie-rod cross arm. Manufacture tie rod from structural steel and pipe.

07-15-16

Delete the 2nd paragraph of section 56-3.06C.

Slotted plastic pipe includes structure excavation, concrete backfill, connecting new pipe to new or existing facilities, concrete collars, reinforcement, and other connecting devices.

64-3.01B Definitions

Reserved

64-3.01C Submittals

If an or equal slotted plastic pipe is being considered, it must be submitted 30 days before installation for approval.

If RSC is used for concrete backfill for slotted plastic pipe, submit the concrete mix design and test data from an authorized laboratory 10 days before excavating the pipe trench. The laboratory must specify the cure time required for the concrete mix to attain 2,000 psi compressive strength when tested under California Test 521.

Heel-resistant grates if specified must be submitted 30 days before installation for approval. Anchorage details must be included in the submittal.

64-3.01D Quality Assurance

Reserved

64-3.02 MATERIALS

64-3.02A General

Not Used

64-3.02B Slotted Plastic Pipes

Slotted plastic pipe must be one of the following or equal:

Slotted Plastic Pipe

12" diameter	18" diameter
Zurn Z888-12	Zurn Z888-18
ACO Qmax 350	ACO Qmax 365
ADS Duraslot-12	ADS Duraslot-18

64-3.02C Concrete Backfill

Concrete for concrete backfill for slotted plastic pipe must comply with the specifications for minor concrete. You may use RSC instead of minor concrete for concrete backfill.

If RSC is used for concrete backfill, the RSC must:

1. Contain at least 590 pounds of cementitious material per cubic yard
2. Comply with section 90-3.02A, except section 90-1 does not apply
3. Comply with section 90-2

64-3.02D Heel-Resistant Grates

Heel-resistant grate must:

1. Be designed to carry traffic loadings
2. Comply with ADA requirements
3. Be constructed of steel or cast iron
4. Be provided by the same manufacturer of the slotted plastic pipe
5. Comply with the manufacturer's instructions

64-3.02E Bar Reinforcement

Bar reinforcement must comply with ASTM A615/A615M, Grade 60 or ASTM A706/A706M, Grade 60.

64-3.02F Miscellaneous Metal

Ductile iron, nuts, bolts, and washers must comply with section 75.

64-3.02G Grout

Grout must be non-shrink grout complying with ASTM C1107/C1107M.

64-3.02H Curing Compound

Non-pigmented curing compound must comply with ASTM C309, Type 1, Class B.

64-3.02I End Caps

End cap must:

1. Be provided by the same manufacturer of the slotted plastic pipe
2. Prevent concrete backfill from entering the pipe

64-3.03 CONSTRUCTION

64-3.03A General

Cover the grate slots with heavy-duty tape or other authorized covering during paving and concrete backfilling activities to prevent material from entering the slots.

64-3.03B Preparation

Pave adjacent traffic lanes before installing slotted plastic pipes.

Excavation must comply with section 19-3.

64-3.03C Installation

Lay and join slotted plastic pipes under the pipe manufacturer's instructions.

Lay pipes to line and grade with sections closely jointed and adequately secured to prevent separation during placement of the concrete backfill. If the pipes do not have a positive interlocking mechanism like a slot and tongue connection, secure the sections together with nuts, bolts, and washers before backfilling.

The top of slotted plastic pipes must not extend above the completed surface. Position the pipes so that the concrete backfill is flush with the surrounding grade and above the top of the grate from 1/8 to 1/4 inch.

Place channels with the male and female ends facing each other.

Place lateral support bar reinforcement on both sides of the grate slots. The support bar reinforcement must run the full length of the slots.

Anchor heel-resistant grates to the concrete backfill under the manufacturer's instructions.

64-3.03D Concrete Backfill

Wherever minor concrete is used for concrete backfill for slotted plastic pipe, do not allow traffic on top of the backfill within 7 days of placement.

Wherever RSC is used for concrete backfill for slotted plastic pipe, do not allow traffic on top of the backfill before the required cure time of 2,000 psi is achieved.

Place concrete backfill where shown.

Consolidate the concrete backfill with high-frequency internal vibrators.

Texture the concrete backfill surface with a broom or burlap drag to produce a durable skid-resistant surface.

Apply a non-pigmented curing compound to the exposed concrete backfill surface whenever the atmospheric temperature is 90 degrees F or greater after placement.

64-3.03E Transition Fittings

Use transition fittings to connect slotted plastic pipes to drainage inlets. The transition fittings must be supplied by the same pipe manufacturer.

Where welds are required in transition fittings, welds must comply with the pipe manufacturer's instructions. The completed welds must not have visible pinholes. Fill the gaps around the pipes in the inlet structure wall with non-shrink grout where the pipes connect to an existing drainage structure. Install the grout under the pipe manufacturer's instructions.

Cut the pipes as shown after the grout used to seal the transition fitting has cured for at least 24 hours.

64-3.04 PAYMENT

Slotted plastic pipe is measured along the centerline of the pipe and parallel with the slope line. If the pipe is cut to fit a structure or slope, the payment quantity is the length of pipe necessary to be placed before cutting, measured in 2-foot increments.

^^^^^^^^^^^^^^^^^^^^^^^^^^^^^^^^^^^^^^^^^^^^^^^^^^^^^^^^^^^^^^^^^^^^^^^^^^^^^^^^^^^^^^^^^^^^^^^^^^^^

**DIVISION VII DRAINAGE FACILITIES
71 EXISTING DRAINAGE FACILITIES**

01-15-16

Replace items 5 and 6 in the list in the 1st paragraph of section 71-3.01D with:

- 5. Performing postrehabilitation inspection 01-15-16

Add after the 4th paragraph of section 71-3.01D:

01-15-16

Record the quantity of grout that is installed and submit this quantity. The Department does not pay for grout that leaks through to the inside of the culvert. The Department does not pay for grout material that is wasted, disposed of, or remaining on hand after the completion of the work.

Replace the 2nd heading in section 71-5.03 with:

01-15-16

71-5.03B Frames, Covers, Grates, and Manholes

^^^^^^^^^^^^^^^^^^^^^^^^^^^^^^^^^^^^^^^^^^^^^^^^^^^^^^^^^^^^^^^^^^^^^^^^^^^^^^^^^^^^^^^^^^^^^^^^^^^^

DIVISION VIII MISCELLANEOUS CONSTRUCTION

72 SLOPE PROTECTION

07-15-16

Replace the 1st and 2nd paragraphs of section 72-2.02B with:

07-15-16

For method A and B placement and the class of RSP described, comply with the rock gradation shown in the following table:

Rock Gradation

Nominal RSP class by median particle diameter ^b		Nominal median particle weight W ₅₀ ^{c,d}	d ₁₅ ^c (inches)		d ₅₀ ^c (inches)		d ₁₀₀ ^c (inches)	Placement
Class ^a	Diameter (inches)		Min	Max	Min	Max	Max	Method
I	6	20 lb	3.7	5.2	5.7	6.9	12.0	B
II	9	60 lb	5.5	7.8	8.5	10.5	18.0	B
III	12	150 lb	7.3	10.5	11.5	14.0	24.0	B
IV	15	300 lb	9.2	13.0	14.5	17.5	30.0	B
V	18	1/4 ton	11.0	15.5	17.0	20.5	36.0	B
VI	21	3/8 ton	13.0	18.5	20.0	24.0	42.0	A or B
VII	24	1/2 ton	14.5	21.0	23.0	27.5	48.0	A or B
VIII	30	1 ton	18.5	26.0	28.5	34.5	48.0	A or B
IX	36	2 ton	22.0	31.5	34.0	41.5	52.8	A
X	42	3 ton	25.5	36.5	40.0	48.5	60.5	A
XI	46	4 ton	28.0	39.4	43.7	53.1	66.6	A

^aFor RSP Classes I–VIII, use Class 8 RSP fabric. For RSP Classes IX–XI, use Class 10 RSP fabric.

^bIntermediate or B dimension (i.e., width) where A dimension is length and C dimension is thickness.

^cd%, where % denotes the percentage of the total weight of the graded material.

^dValues shown are based on the minimum and maximum particle diameters shown and an average specific gravity of 2.65. Weight will vary based on specific gravity of rock available for the project.

Replace the table in section 72-2.02C with:

07-15-16

Fabric Class

Class	Largest rock gradation class used in slope protection
8	Classes I–VIII
10	Classes IX–XI

Replace the table in the 1st paragraph of section 72-3.02C with:

07-15-16

Concreted-Rock Gradation

Nominal RSP class by median particle diameter ^b		Nominal median particle weight W ₅₀ ^{c,d} Weight ^a	d ₁₅ ^c		d ₅₀ ^c		d ₁₀₀ ^c
Class ^a	Size (inches)		Min	Max	Min	Max	Max
I	6	20 lb	3.7	5.2	5.7	6.9	12.0
II	9	60 lb	5.5	7.8	8.5	10.5	18.0
III	12	150 lb	7.3	10.5	11.5	14.0	24.0
V	18	1/4 ton	11.0	15.5	17.0	20.5	36.0
VII	24	1/2 ton	14.5	21.0	23.0	27.5	48.0

^aUse Class 8 RSP fabric.

^bIntermediate or B dimension (i.e., width) where A dimension is length and C dimension is thickness.

^cd%, where % denotes the percentage of the total weight of the graded material.

^dValues shown are based on the minimum and maximum particle diameters shown and an assumed specific gravity of 2.65. Weight will vary based on specific gravity of rock available for the project.

Replace the table in section 72-3.03E with:

07-15-16

Minimum Concrete Penetration

	Rock class				
	VII	V	III	II	I
Penetration (inches)	18	14	10	8	6

73 CONCRETE CURBS AND SIDEWALKS

07-15-16

Replace section 73-3.01A with:

07-15-16

Section 73-3 includes specifications for constructing sidewalks, gutter depressions, island paving, curb ramps, and driveways.

74 PUMPING EQUIPMENT AND CONTROLS

04-15-16

Replace 87-1.03K in the 4th paragraph of section 74-3.03B(2) with:

04-15-16

87

80-4.02B(1)(c) Barbless Wire

The barbless wire must:

1. Comply with ASTM A641/A641M
2. Be at least 14-gauge wire
3. Have a Class 1 zinc coating

80-4.02B(1)(d) Posts

Each post must:

1. Comply with ASTM F1083
2. Be standard weight, schedule 40 steel pipe with a nominal pipe size of 1 inch
3. Be galvanized steel fence post conforming to ASTM A702

80-4.02B(2) Temporary Desert Tortoise Fences

The materials for a temporary desert tortoise fence must comply with section 80-4.02B(1), except the hardware cloth must be made of at least 16-gauge wire.

80-4.02C Construction

80-4.02C(1) General

Extend the hardware cloth a minimum of 24 inches above the ground.

Plumb the posts and pull the hardware cloth taut. Correct any alignment issues.

80-4.02C(2) Permanent Desert Tortoise Fences

Excavate the ground to form a trench before installing the posts and hardware cloth. Embed the posts at maximum 5-foot intervals into the ground. If T posts are used, use 5-foot lengths and embed the posts to match the above-ground height shown for the posts.

Securely fasten the hardware cloth to the posts with wire ties and to barbless wire with hog rings as shown. Pass the wire ties through the hardware cloth. Encircle the posts and barbless wire with the ties and tie them by twisting a minimum of 3 complete turns.

Bend the twisted ends of the ties down to prevent possible snagging. Close hog rings with their ends overlapping.

Bury the hardware cloth a minimum of 12 inches into the ground. Install the cloth in 1 continuous piece. You may cut the cloth into shorter segments if authorized.

Overlap the hardware cloth segments at posts, with a minimum overlap of 6 inches centered at a post. Wire tie the overlapped cloth to posts as shown. Prevent fraying by threading barbless wire along the vertical edges of the hardware cloth on either side of the post or use 3 equally spaced hog rings (6 hog rings per location) along each wire cloth edge.

Where bedrock or caliche substrate is encountered, use the bent hardware cloth detail if authorized. Transitions from buried-to-bent or bent-to-buried configuration must occur at a post location with a minimum 6-inch overlap of the hardware cloth as shown. The maximum spacing for hold down pins is 24 inches on center. Anchor in place with hold down pins the beginning and end corners of the hardware cloth placed on the ground.

Backfill the removed earth material into the trench created to install the hardware cloth and posts. Use an 8 lb or heavier hand tamper to compact the backfill around the posts and hardware cloth. Install a post at each corner of the cloth segments.

Add between the 2nd and 3rd paragraphs of section 84-8.03A:

07-15-16

Modify rumble strip spacing to avoid locating a groove on a concrete pavement joint.

Replace the 3rd paragraph of section 84-8.03A with:

07-15-16

Indentations must comply with the dimensions shown and not vary more than:

1. 10 percent in length
2. 0.06 inch in depth
3. 10 percent in width
4. 1 inch in center-to-center spacing between rumble strips

Add to the end of section 84-8.03A:

07-15-16

The noise level created by the combined grinding activities must not exceed 86 dBA when measured at a distance of 50 feet at right angles to the direction of travel.

Break rumble strips before and after intersections, driveways, railroad crossings, freeway gore areas, and freeway ramps. Place breaks and break distances as shown. You may adjust breaks and the break distances as needed at low-volume driveways or other locations if authorized.

Delete *new* in the 1st paragraph of section 84-8.03B.

07-15-16

Add to the end of section 84-8.03B:

07-15-16

Remove grinding residue under section 13-4.03E(7).

Replace the 1st paragraph of section 84-8.03C with:

07-15-16

Construct rumble strips in the top layer of HMA and asphalt concrete surfacing by the ground-in method.

Add between the 2nd and 3rd paragraphs of section 84-8.03C:

07-15-16

Dispose of the removed material.

Delete the 2nd paragraph of section 84-8.03C.

07-15-16

Replace 37-2 in the 3rd paragraph of section 84-8.03C with:

07-15-16

37-4.02

audible speech walk message: Audible prerecorded message that communicates to pedestrians which street has the walk interval.

channel: Discrete information path.

CALiPER: Commercially Available LED Product Evaluation and Reporting. A U.S. Department of Energy program that individually tests and provides unbiased information on the performance of commercially available LED luminaires and lights.

controller assembly: Assembly for controlling a system's operations, consisting of a controller unit and auxiliary equipment housed in a waterproof cabinet.

controller unit: Part of the controller assembly performing the basic timing and logic functions.

correlated color temperature: Absolute temperature in kelvin of a blackbody whose chromaticity most nearly resembles that of the light source.

detector: Detector as defined in the *California MUTCD*.

electrolier: Assembly of a lighting standard and luminaire.

flasher: Device for opening and closing signal circuits at a repetitive rate.

flashing beacon control assembly: Assembly of switches, circuit breakers, terminal blocks, flasher, wiring, and other necessary electrical components housed in a single enclosure for operating a beacon.

house side lumens: Lumens from a luminaire directed to light up areas between the fixture and the pole, such as sidewalks at intersection or areas off the shoulders on freeways.

illuminance gradient: Ratio of the minimum illuminance on a 1-foot square of sign panel to that on an adjacent 1-foot square of sign panel.

inductive loop detector: Detector capable of being actuated by an inductance change caused by a vehicle passing or standing over the loop. An inductive loop detector includes a loop or group of loops installed in the roadway and a lead-in cable installed and connected inside a controller cabinet.

junction temperature: Temperature of the electronic junction of the LED device. The junction temperature is critical in determining photometric performance, estimating operational life, and preventing catastrophic failure of the LED.

L70: Extrapolated life in hours of the luminaire when the luminous output depreciates 30 percent from the initial values.

lighting standard: Pole and mast arm supporting the luminaire.

LM-79: Test method from the Illumination Engineering Society of North America specifying the test conditions, measurements, and report format for testing solid state lighting devices, including LED luminaires.

LM-80: Test method from the Illumination Engineering Society of North America specifying the test conditions, measurements, and report format for testing and estimating the long-term performance of LEDs for general lighting purposes.

luminaire: Assembly that houses the light source and controls the light emitted from the light source.

National Voluntary Laboratory Accreditation Program: U.S. Department of Energy program that accredits independent testing laboratories.

powder coating: Coating applied electrostatically using exterior-grade, UV-stable, polymer powder.

power factor: Ratio of the real power component to the complex power component.

pretimed controller assembly: Assembly operating traffic signals under a predetermined cycle length.

programming mechanism: Device to program the accessible pedestrian signal operation.

pull box: Box with a cover that is installed in an accessible place in a conduit run to facilitate the pulling in of wires or cables.

push button information message: Push button information message as defined in the *California MUTCD*.

push button locator tone: Push button locator tone as defined in the *California MUTCD*.

signal face: Signal face as defined in the *California MUTCD*.

signal head: Signal head as defined in the *California MUTCD*.

signal indication: Signal indication as defined in the *California MUTCD*.

signal section: Signal section as defined in the *California MUTCD*.

signal standard: Pole with or without mast arms carrying 1 or more signal faces.

street side lumens: Lumens from a luminaire directed to light up areas between the fixture and the roadway, such as traveled ways and freeway lanes.

surge protection device: Subsystem or component that protects equipment against short-duration voltage transients in power line.

total harmonic distortion: Ratio of the rms value of the sum of the squared individual harmonic amplitudes to the rms value of the fundamental frequency of a complex waveform.

traffic-actuated controller assembly: Assembly for operating traffic signals under the varying demands of traffic as registered by detector actuation.

traffic phase: Traffic phase as defined in the *California MUTCD*.

vehicle: Vehicle as defined in the *California Vehicle Code*.

vibrotactile pedestrian device: Vibrotactile pedestrian device as defined in the *California MUTCD*.

86-1.01C Submittals

86-1.01C(1) General

Within 15 days after Contract approval, submit a list of equipment and materials you propose to install.

Submit the list before shipping equipment and materials to the job site. The list must include:

1. Manufacturer's name
2. Make and model number
3. Month and year of manufacture
4. Lot and serial numbers
5. Contract number
6. Your contact information

Submit confirmation of the vendor's acceptance of the order for the electrical equipment and materials as an informational submittal.

Submit 3 sets of computer-generated, schematic wiring diagrams for each cabinet.

Diagrams, plans, and drawings must be prepared using graphic symbols in IEEE 315, "Graphic Symbols for Electrical and Electronic Diagrams."

Submit a schedule of values within 15 days after Contract approval.

Do not include costs for the traffic control system in the schedule of values.

Submit a manufacturer's maintenance manual or combined maintenance and operation manual as an informational submittal. The manual must have a master item index that includes:

1. Specifications
2. Design characteristics
3. General operation theory
4. Function of all controls
5. Troubleshooting procedure
6. Parts list, descriptions, stock numbers, and settings
7. Block circuit diagram
8. Layout of components
9. Schematic diagrams

86-1.01C(2) Pull Boxes

Submit the manufacturer's installation instructions for pull boxes, including:

1. Quantity and size of entries that can be made without degrading the strength of the pull box below the load rating
2. Locations where side entries can be made
3. Acceptable method for creating the entry

Submit load-rating test reports for pull boxes from a NRTL.

86-1.01C(3) LED Luminaires

Submit for an LED luminaire:

1. Maximum power in watts
2. Maximum designed junction temperature
3. Heat sink area in square inches
4. Designed junction-to-ambient thermal resistance calculation with thermal resistance components clearly defined
5. L70 in hours when extrapolated for the average nighttime operating temperature
6. Life expectancy based on the junction temperature
7. Manufacturer's data sheet for the power supply, including the rated life

Submit the manufacturer's QC test data for LED luminaires as an informational submittal.

86-1.01C(4) Low-Pressure Sodium Luminaires

Submit the manufacturer's QC test data for low-pressure sodium luminaires as an informational submittal.

86-1.01C(5) Service Equipment Enclosures

Submit shop drawings for a service equipment enclosure to METS.

86-1.01C(6) Signal Heads

Submit a certificate of compliance and the manufacturer's QC test data for signal heads as an informational submittal.

86-1.01C(7) LED Signal Modules

Submit the manufacturer's QC test data for LED signal modules as an informational submittal.

86-1.01C(8) Visors

Submit a certificate of compliance and the manufacturer's QC test data for visors as an informational submittal.

86-1.01C(9) LED Countdown Pedestrian Signal Face Modules

Submit the manufacturer's QC test data for LED countdown pedestrian signal face modules as an informational submittal.

86-1.01C(10) Accessible Pedestrian Signals

Submit the manufacturer's QC test data for accessible pedestrian signals as an informational submittal.

86-1.01D Quality Assurance**86-1.01D(1) General**

Electrical equipment must comply with one or more of the following standards:

1. ANSI
2. ASTM
3. EIA/ECIA
4. NEMA
5. NETA
6. UL/NRTL
7. TIA

Materials must comply with:

1. FCC rules
2. ITE standards
3. NEC
4. California Electrical Code

86-1.01D(2) Source Quality Control

Service equipment enclosures and cabinets must be inspected and tested at the source.

86-1.01D(3) Department Acceptance

Deliver material and equipment for testing to METS.

Allow 30 days for testing. The Department notifies you when testing is complete.

If the Department accepts the material or equipment, you must pick it up from the test site and deliver it to the job site.

If the Department rejects material or equipment, remove it within 5 business days after you are notified it is rejected. If it is not removed within that period, the Department may remove it and ship it to you and deduct the costs of labor, material and shipping.

Resubmit a new sample and allow 30 days for retesting. The retesting period starts when the replacement material or equipment is delivered to METS.

86-1.02 MATERIALS

86-1.02A General

Anchor bolts, anchor bars or studs, and nuts and washers must comply with section 75-1.02.

Bolt threads must accept galvanized standard nuts without requiring tools or causing removal of protective coatings.

86-1.02B Conduit and Accessories

86-1.02B(1) General

Conduit and fittings must comply with the requirements shown in the following table:

Conduit and Fitting Requirements

Type	Requirement
1	Must be hot-dip galvanized rigid steel complying with UL 6 and ANSI C80.1. The zinc coating must comply with copper sulfate test requirements in UL 6. Fittings must be electrogalvanized and certified under UL 514B.
2	Must comply with requirements for Type 1 conduit and be coated with PVC or polyethylene. The exterior thermoplastic coating must have a minimum thickness of 35 mils. The internal coating must have a minimum thickness of 2 mils. Coated conduit must comply with NEMA RN 1, or NRTL PVC-001.
3	Must be Type A, extruded, rigid PVC conduit complying with UL 651 or must be HDPE conduit complying with UL 651A.
4	Must have an inner, flexible metal core covered by a waterproof, nonmetallic, sunlight-resistant jacket, and must be UL listed for use as a grounding conductor. Fittings must be certified under UL 514B.
5	Must be intermediate steel complying with UL 1242 and ANSI C80.6. The zinc coating must comply with copper sulfate test requirements specified in UL 1242. Fittings must be electrogalvanized and certified under UL 514B.

Bonding bushings installed on metal conduit must be insulated and either a galvanized or zinc-alloy type.

86-1.02B(2) Structures Accessories

Steel hangers, steel brackets, and other fittings used to support conduit in or on a wall or bridge superstructure must comply with section 75-3.

Precast concrete cradles for conduit must be made of minor concrete and commercial-quality welded wire fabric. The minor concrete must contain a minimum of 590 lb of cementitious material per cubic yard. The cradles must be moist cured for a minimum of 3 days.

86-1.02C Pull Boxes

86-1.02C(1) General

Pull box cover must have a marking on the top that is:

1. Clearly defined
2. Uniform in depth
3. Parallel to either side
4. 1 to 3 inches in height

Cover marking must be:

1. *SERVICE* for service circuits between a service point and service disconnect
2. *SERVICE IRRIGATION* for circuits from a service equipment enclosure to an irrigation controller
3. *SERVICE BOOSTER PUMP* for circuits from a service equipment enclosure to the booster pump
4. *TDC POWER* for circuits from a service equipment enclosure to telephone demarcation cabinet

5. *LIGHTING* for a lighting system
6. *SIGN ILLUMINATION* for a sign illumination system
7. *SIGNAL AND LIGHTING* for a signal and lighting system
8. *RAMP METER* for a ramp metering system
9. *TMS* for a traffic monitoring station
10. *FLASHING BEACON* for a flashing beacon system
11. *CMS* for a changeable message sign system
12. *INTERCONNECT* for an interconnect conduit and cable system

The load rating must be stenciled on the inside and outside of the pull box and the cover.

If a transformer or other device must be placed in the pull box, include recesses for a hanger.

The hardware must be stainless steel with 18 percent chromium and 8 percent nickel content.

86-1.02C(2) Nontraffic Pull Boxes

A nontraffic pull box and cover must comply with ANSI/SCTE 77, "Specification for Underground Enclosure Integrity," for Tier 22 load rating and must be gray or brown.

Each new pull box must have a cover with an electronic marker cast inside.

A pull box extension must be made of the same material as the pull box. The extension may be another pull box if the bottom edge of the pull box fits into the opening for the cover.

The bolts, nuts, and washers must be a captive design and galvanized. Captive bolts for securing the cover of nontraffic pull boxes must be capable of withstanding a torque from 55 to 60 ft-lb and a minimum pull-out strength of 750 lb.

86-1.02C(3) Traffic Pull Boxes

A traffic pull box and cover must comply with ASTM C857 for HS20-44 loading.

The frame must be anchored to the box with 2-1/4-inch-long concrete anchors with a 1/4 inch diameter. A no. 3-1/2(T) pull box must have 4 concrete anchors, one placed in each corner. No. 5(T) and no. 6(T) pull boxes must have 6 concrete anchors, one placed in each corner and one near the middle of each of the longer sides.

Nuts must be vibration-resistant, zinc-plated, carbon steel and have a wedge ramp at the root of the thread.

Before galvanizing a steel or cast iron cover, the manufacturer must apply the cover marking by one of the following methods:

1. Use a cast iron strip at least 1/4 inch thick with letters raised a minimum of 1/16 inch. Fasten the strip to the cover with 1/4-inch, flathead, stainless steel machine bolts and nuts. Peen the bolts after tightening.
2. Use a sheet steel strip at least 0.027 inch thick with letters raised a minimum of 1/16 inch. Fasten the strip to the cover by spot welding, tack welding, or brazing with 1/4-inch stainless steel rivets or 1/4-inch, roundhead, stainless steel machine bolts and nuts. Peen the bolts after tightening.

The steel cover must be countersunk approximately 1/4 inch to accommodate the bolt head. When tightened, the bolt head must be no more than 1/8 inch above the top of the cover.

86-1.02C(4) Reserved

86-1.02D Tapes

86-1.02D(1) General

Reserved

86-1.02D(2) Pull Tape

Pull tape must be a flat, woven, lubricated, soft-fiber, polyester tape with a minimum tensile strength of 1,800 lb. The tape must have sequential measurement markings every 3 feet.

86-1.02D(3) Reserved

86-1.02E Reserved

86-1.02F Conductors and Cables

86-1.02F(1) Conductors

86-1.02F(1)(a) General

Reserved

86-1.02F(1)(b) Reserved

86-1.02F(1)(c) Copper Conductors

86-1.02F(1)(c)(i) General

Copper wire must comply with ASTM B3 and B8.

Conductor must be clearly and permanently marked the entire length of its outer surface with:

1. Manufacturer's name or trademark
2. Insulation-type letter designation
3. Conductor size
4. Voltage
5. Temperature rating
6. Number of conductors for a cable

The minimum insulation thickness and color code requirements must comply with NEC.

A conductor must be UL listed or NRTL certified and rated for 600 V(ac).

Insulation for no. 14 to no. 4 conductors must be one of the following:

1. Type TW PVC under ASTM D2219
2. Type THW PVC
3. Type USE, RHH, or RHW cross-linked polyethylene

The insulation for no. 2 and larger conductors must be one of the above or THWN.

Conductors must be identified as shown in the following table:

Conductor Identification

Circuit	Signal phase or function	Identification			Size
		Insulation color ^d		Band symbols	
		Base	Stripe ^a		
Signals (vehicle) ^{a, b}	2, 6	Red, yel, brn	Blk	2, 6	14
	4, 8	Red, yel, brn	Ora	4, 8	14
	1, 5	Red, yel, brn	None	1, 5	14
	3, 7	Red, yel, brn	Pur	3, 7	14
	Ramp meter 1	Red, yel, brn	None	NBR	14
	Ramp meter 2	Red, yel, brn	Blk	NBR	14
Pedestrian signals	2p, 6p	Red, brn	Blk	2p, 6p	14
	4p, 8p	Red, brn	Ora	4p, 8p	14
	1p, 5p	Red, brn	None	1p, 5p	14
	3p, 7p	Red, brn	Pur	3p, 7p	14
Pedestrian push buttons	2p, 6p	Blu	Blk	P-2, P-6	14
	4p, 8p	Blu	Ora	P-4, P-8	14
	1p, 5p	Blu	None	P-1, P-5	14
	3p, 7p	Blu	Pur	P-3, P-7	14
Traffic signal controller cabinet	Ungrounded circuit conductor	Blk	None	CON-1	6
	Grounded circuit conductor	Wht	None	CON-2	6
Highway lighting pull box to luminaire	Ungrounded - line 1	Blk	None	NBR	14
	Ungrounded - line 2	Red	None	NBR	14
	Grounded	Wht	None	NBR	14
Multiple highway lighting	Ungrounded - line 1	Blk	None	ML1	10
	Ungrounded - line 2	Red	None	ML2	10
Lighting control	Ungrounded - PEU	Blk	None	C1	14
	Switching leg from PEU unit or SM transformer	Red	None	C2	14
Service	Ungrounded - line 1 (signals)	Blk	None	NBR	6
	Ungrounded - line 2 (lighting)	Red	None	NBR	8
Sign lighting	Ungrounded - line 1	Blk	None	SL-1	10
	Ungrounded - line 2	Red	None	SL-2	10
Flashing beacons	Ungrounded between flasher and beacons	Red or yel	None	F-Loc. ^c	14
Grounded circuit conductor	Pedestrian push buttons	Wht	Blk	NBR	14
	Signals and multiple lighting	Wht	None	NBR	10
	Flashing beacons and sign lighting	Wht	None	NBR	12
	Lighting control	Wht	None	C-3	14
	Service	Wht	None	NBR	14
Railroad preemption		Blk	None	R	14
Spares		Blk	None	NBR	14

NBR = No band required PEU=Photoelectric unit

^aOn overlaps, the insulation is striped for the 1st phase in the designation, e.g., phase (2+3) conductor is striped as for phase 2.

^bBand for overlap and special phases as required

^cFlashing beacons having separate service do not require banding.

^dColor Code: Yel-Yellow, Brn-Brown, Blu-Blue, Blk-Black, Wht-White, Ora-Orange, Pur-Purple

The insulation color must be homogeneous throughout the full depth of the insulation. The identification stripe must be continuous throughout the length of the conductor.

86-1.02F(1)(c)(ii) Bonding Jumpers and Equipment Grounding Conductors

A bonding jumper must be copper wire or copper braid of the same cross-sectional area as a no. 8 conductor or larger.

An equipment grounding conductor may be bare or insulated.

86-1.02F(1)(c)(iii) Inductive Loop Conductors

Inductive loop conductor must comply with the requirements shown in the following table:

Conductor Requirements for Inductive Loop Detectors

Loop wire	Requirement
Type 1	Type RHW-USE neoprene-jacketed or Type USE cross-linked polyethylene, insulated, no. 12, stranded copper wire with a minimum 40-mils insulation thickness at any point.
Type 2	Type THWN or Type XHHW, no. 14, stranded copper wire in a plastic tubing. The plastic tubing must be polyethylene or vinyl rated for use at 105 °C and resistant to oil and gasoline. The outside diameter of the tubing must be at most 0.27 inch with a wall thickness of at least 0.028 inch.

86-1.02F(1)(d) Reserved

Reserved

86-1.02F(2) Cables

86-1.02F(2)(a) General

Reserved

86-1.02F(2)(b) Reserved

Reserved

86-1.02F(2)(c) Reserved

86-1.02F(2)(d) Copper Cables

86-1.02F(2)(d)(i) General

The conductor wire size for a detector lead-in cable must comply with the requirements of ASTM B286.

Cable, except a detector lead-in cable, must be clearly and permanently marked the entire length of its outer surface with:

1. Manufacturer's name or trademark
2. Insulation-type letter designation
3. Conductor size
4. Voltage
5. Temperature rating
6. Number of conductors for a cable

86-1.02F(2)(d)(ii) Conductors Signal Cables

A conductors signal cable must have a black polyethylene jacket with an inner polyester binder sheath. The cable jacket must be rated for 600 V(ac) and 75 degrees C. Filler material, if used, must be polyethylene.

The individual conductors in the cable must be solid copper complying with ASTM B286 with Type THWN insulation. The minimum thickness of insulation must comply with NEC for conductor sizes no. 14 to no.10. The minimum thickness of the nylon jacket must be 4 mils.

Cable must comply with the requirements shown in the following table:

Cable type ^a	Conductor quantity and type	Cable jacket thickness (mils)		Maximum nominal outside diameter (inch)	Conductor color code
		Average	Minimum		
3CSC	3 no. 14	44	36	0.40	Blue/black, blue/orange, white/black stripe
5CSC	5 no. 14	44	36	0.50	Red, yellow, brown, black, white
9CSC	8 no. 14 1 no. 12	60	48	0.65	No. 12 - white, no. 14 - red, yellow, brown, black, and red/black, yellow/black, brown/black, white/black stripe
12CSC	11 no. 14 1 no. 12	60	48	0.80	No. 12 - white, no. 14 - red, yellow, brown, red/black stripe, yellow/black stripe, brown/black stripe, black/red stripe, black/white stripe, black, red/white stripe, brown/white stripe
28CSC	27 no. 14 1 no. 10	80	64	0.90	No. 10 - white no. 14 - red/black stripe, yellow/black stripe, brown/black stripe, red/orange stripe, yellow/orange stripe, brown/orange stripe, red/silver stripe, yellow/silver stripe, brown/silver stripe, red/purple stripe, yellow/purple stripe, brown/purple stripe, red/2 black stripes, brown/2 black stripes, red/2 orange stripes, brown/2 orange stripes, red/2 silver stripes, brown/2 silver stripes, red/2 purple stripes, brown/2 purple stripes, blue/black stripe, blue/orange stripe, blue/silver stripe, blue/purple stripe, white/black stripe, black/red stripe, black

86-1.02F(2)(d)(iii) Detector Lead-in Cables

Conductors for a loop detector lead-in cable must be two no. 16, 19-by-29, stranded, tinned copper wires with calculated cross-sectional areas complying with ASTM B286, table 1 and must comply with the requirements shown in the following table:

Conductor Requirements for Loop Detector Lead-In Cables

Lead-in cable	Requirement
Type B	Insulated with 20 mils of high-density polyethylene. Conductors must be twisted together with at least 2 turns per foot, and the twisted pair must be protected with a copper or aluminum polyester shield. A minimum no. 20 copper drain wire must be connected to the equipment ground within the cabinet. Cable must have a high-density polyethylene or high-density polypropylene outer jacket with a nominal thickness of 32 mils. Include an amorphous, interior, moisture penetration barrier of nonhydroscopic polyethylene or polypropylene fillers.
Type C	Comply with International Municipal Signal Association Specification no. 50-2. A minimum no. 20 copper drain wire must be connected to the equipment ground within the cabinet.

86-1.02F(2)(d)(iv) Reserved

86-1.02F(2)(d)(v) Signal Interconnect Cables

A signal interconnect cable must be a 6-pair type with stranded, tinned, copper no. 20 conductors. The insulation for each conductor must be color-coded polypropylene with a minimum 13-mils nominal thickness. The conductors must be in color-coded, twisted pairs. Each pair must be wrapped with an aluminum polyester shield and have a no. 22 or larger, stranded, tinned, copper drain wire inside the shielded pair.

The cable jacket must be black HDPE rated for a minimum of 300 V(ac) and 60 degrees C. The jacket must have a minimum nominal wall thickness of 40 mils.

86-1.02F(2)(e) Reserved

86-1.02G Equipment Identification Characters

Equipment identification characters must be 2-1/2 inch, series D lettering, except on wood poles, they must be 3-inch lettering.

The characters must be self-adhesive reflective labels or paint, except on wood poles, they must be embossed on aluminum.

86-1.02H Splicing Materials

Splicing materials include:

1. Connectors
2. Electrical insulating coating
3. PVC electrical tape
4. Butyl rubber stretchable tape
5. PVC pressure-sensitive adhesive tape
6. Heat shrink tubing

Connectors must be C-shaped compression or butt type.

Electrical insulating coating must be a fast drying sealant with low nontoxic fumes.

PVC electrical tape must have a minimum thickness of 80 mils.

Butyl rubber stretchable tape with liner must have a minimum thickness of 120 mils.

PVC pressure-sensitive adhesive electrical tape must have a minimum thickness of 6 mils.

Electrical tapes must be self-fusing, oil- and flame-resistant, synthetic rubber and be UL listed or NRTL certified.

Heat-shrink tubing must be made of irradiated polyolefin tubing with a minimum wall thickness of 40 mils before contraction and an adhesive mastic inner wall. When heated, the inner wall must melt and fill the crevices and interstices of the covered splice area and the outer wall must shrink to form a waterproof insulation.

Heat-shrink tubing must comply with the requirements for extruded, insulating tubing at 600 V(ac) specified in UL Standard 468D and ANSI C119.1 and the requirements shown in the following table:

Heat-Shrink Tubing Requirements

Quality characteristic	Requirement
Shrinkage ratio of supplied diameter ^a (max, %)	33
Dielectric strength (min, kV/in)	350
Resistivity (min, Ω/in)	25 x 10 ¹³
Tensile strength (min, psi)	2,000
Operating temperature (°C)	-40–90 (135 °C in emergency)
Water absorption (max, %)	0.5

^aWhen heated to 125 °C and allowed to cool to 25 °C

86-1.02I Connectors and Terminals

A connector and terminal must comply with SAE-AS7928 and be a crimp type, rated for 600 V(ac) and either UL listed or NRTL certified.

86-1.02J Standards, Poles, Pedestals, and Posts

Standards for signals, lighting, and flashing beacons, poles for closed circuit television, pedestals for cabinets, posts for extinguishable message sign and posts for pedestrian push button assemblies must comply with section 56-3.

86-1.02K Luminaires

86-1.02K(1) General

Luminaire must be either LED or low-pressure-sodium type.

86-1.02K(2) LED Luminaires

LED luminaire must be on the Authorized Material List for LED luminaires and must:

1. Be self-contained, not requiring assembly.
2. Comply with UL 1598 for luminaires in wet locations.
3. Have a power supply with:
 - 3.1. ANSI/IEC rating of at least IP65.
 - 3.2. 2 leads to accept standard 0-10 V(dc).
 - 3.3. Dimming control compatible with IEC 60929, Annex E. If the control leads are open or the analog control signal is lost, the circuit must default to 100-percent power.
 - 3.4. Case temperature self rise of 77 degrees F or less above ambient temperature in free air with no additional heat sinks.
4. Weigh no more than 35 lb.
5. Have a minimum operating life of 63,000 hours when operated for an average time of 11.5 hours at an average temperature of 70 degrees F.

6. Be designed to operate over a temperature range from -40 to 130 degrees F.
7. Be operationally compatible with photoelectric controls.
8. Have a correlated color temperature range from 3,500 to 6,500 K and a color rendering index of 65 or greater.

9. Have a maximum-effective projected area of 1.4 sq ft when viewed from either side or end.
10. Have a housing color that matches a color no. 26152 to 26440, 36231 to 36375, or 36440 of FED-STD-595.
11. Have an ANSI C136.41-compliant, locking-type, photocontrol receptacle with dimming connections and a watertight shorting cap.
12. Comply with LM-79, LM-80 and California Test 611.

The individual LEDs must be connected such that a catastrophic loss or a failure of 1 LED does not result in the loss of more than 20 percent of the luminous output of the luminaire.

The luminaire must be permanently marked inside the unit and outside of its packaging box. Marking consists of:

1. Manufacturer's name or trademark
2. Month and year of manufacture
3. Model, serial, and lot numbers
4. Rated voltage, wattage, and power in VA

An LED luminaire's onboard circuitry must include a surge protection device to withstand high-repetition noise transients caused by utility line switching, nearby lightning strikes, and other interferences. The device must protect the luminaire from damage and failure due to transient voltages and currents as defined in Tables 1 and 4 of ANSI/IEEE C64.41.2 for location category C-High. The surge protection device must comply with UL 1449 and ANSI/IEEE C62.45 based on ANSI/IEEE C62.41.2 definitions for standard and optional waveforms for location category C-High.

An LED luminaire and its associated onboard circuitry must comply with the Class A emission limits under 47 CFR 15(B) for the emission of electronic noise.

The fluctuations of line voltage must have no visible effect on the luminous output.

The operating voltage may range from 120 to 480 V(ac), 60 ± 3 Hz. Luminaire must operate over the entire voltage range or the voltage range must be selected from one of the following:

1. Luminaire must operate over a voltage range from 95 to 277 V(ac). The operating voltages for this option are 120 V(ac) and 240 V(ac).
2. Luminaire must operate over a voltage range from 347 to 480 V(ac). The operating voltage for this option is 480 V(ac).

LED luminaire must have a power factor of 0.90 or greater. The total harmonic distortion, current, and voltage induced into a power line by a luminaire must not exceed 20 percent. The L70 of the luminaire must be the minimum operating life or greater. Illuminance measurements must be calibrated to standard photopic calibrations.

The maximum power consumption and maintained illuminance of the LED luminaires must comply with the isofootcandle curves as shown.

LED luminaire must not allow more than 10 percent of the rated lumens to project above 80 degrees from vertical and 2.5 percent of the rated lumens to project above 90 degrees from vertical.

Luminaire must have passive thermal management with enough capacity to ensure proper heat dissipation and functioning of the luminaire over its minimum operating life. The maximum junction temperature for the minimum operating life must not exceed 221 degrees F.

The junction-to-ambient thermal resistance must be 95 degrees F per watt or less. The use of fans or other mechanical devices is not allowed for cooling the luminaire. The heat sink must be made of aluminum or other material of equal or lower thermal resistance. The luminaire must contain circuitry that automatically reduces the power to the LEDs so the maximum junction temperature is not exceeded when the ambient temperature is 100 degrees F or greater.

The luminaire's housing must be fabricated from materials designed to withstand a 3,000-hour salt spray test under ASTM B117. All aluminum used in housings and brackets must be made of a marine-grade alloy with less than 0.2 percent copper. All exposed aluminum must be anodized. A chromate conversion undercoating must be used underneath a thermoplastic polyester powder coat.

The housing must be designed to prevent the buildup of water on its top surface. Exposed heat sink fins must be oriented to allow water to run off the luminaire and carry dust and other accumulated debris away from the unit. The optical assembly of the luminaire must be protected against dust and moisture intrusion to at least an UL 60529 rating of IP66. The power supply enclosure must be protected to at least an UL 60529 rating of IP43.

The housing must have a slip fitter capable of being mounted on a 2-inch-diameter pipe tenon. Slip fitter must:

1. Fit on mast arms with outside diameters from 1-5/8 to 2-3/8 inches
2. Be adjustable to a minimum of ± 5 degrees from the axis of the tenon in a minimum of 5 steps: +5, +2.5, 0, -2.5, -5
3. Have clamping brackets that:
 - 3.1. Are made of corrosion-resistant materials or treated to prevent galvanic reactions
 - 3.2. Do not bottom out on the housing bosses when adjusted within the designed angular range
 - 3.3. Do not permanently set in excess of 1/32 inch when tightened

Each refractor or lens must be made of UV-inhibiting high-impact plastic, such as acrylic or polycarbonate, or heat- and impact-resistant glass. The refractor or lens must be resistant to scratching. Polymeric materials, except for the lenses of enclosures containing either the power supply or electronic components of the luminaire, must be made of UL94 V-0 flame-retardant materials.

An LED luminaire and its internal components must be able to withstand mechanical shock and vibration.

If the components are mounted on a down-opening door, the door must be hinged and secured to the luminaire's housing separately from the refractor or flat lens frame. The door must be secured to the housing to prevent accidental opening. A safety cable must mechanically connect the door to the housing.

An LED luminaire must have a barrier-type terminal block secured to the housing to connect field wires. The terminal screws must be captive and equipped with wire grips for conductors up to no. 6.

The conductors and terminals must be identified and marked.

86-1.02K(3) Low-Pressure Sodium Luminaires

A low-pressure sodium luminaire must be an enclosed cutoff or semi-cutoff type and be self-contained, not requiring assembly.

The housing must be either (1) a minimum 1/16-inch-thick, corrosion-resistant, die-cast aluminum sheet and plate with concealed continuous welds or (2) a minimum 3/32-inch-thick, acrylonitrile-butadiene-styrene sheet material on a cast aluminum frame. The housing must provide mounting for all electrical

components and a slip fitter. The housing must be divided into optical and power compartments that are individually accessible for service and maintenance.

The painted exterior surface of the luminaire must be finished with a fused coating of electrostatically applied polyester powder paint or other UV-inhibiting film. The color must be aluminum gray.

A sealing ring must be installed in the pipe tenon opening to prevent the entry of water and insects into the power and optical compartments. The ring must be made of high-temperature neoprene or equal material.

The power unit assembly must be accessible through a weather-tight, hinged cover secured to the housing with spring latches or captive screws.

The luminaire's hardware must be stainless steel or cadmium plated. Removable components must be secured with machine screws or bolts instead of sheet metal screws.

A semi-cutoff luminaire or a molded refractor-style cutoff luminaire must include a refractor. Other cutoff luminaires must include a flat lens. The refractor assembly and flat lens assembly must be designed to rigidly maintain their shape and be hinged and secured to the housing with spring latches.

The refractor must be either a 1-piece injection-molded polycarbonate with a minimum thickness of 3/32 inch or a 1-piece injection-molded acrylic with a minimum thickness of 1/8 inch. Alternate methods of manufacturing the refractor may be authorized provided minimum specified thicknesses are maintained.

The flat lens must be a 1-piece polycarbonate with a minimum thickness of 3/32 inch, mounted to a metal frame.

The lamp socket must be made of high-temperature, flame-retardant, thermoset material with self-wiping contacts or an equal. The socket must be rated for 660 W and 1,000 V(ac). The position of the socket and support must maintain the lamp in the correct relationship with the reflector and refractor for the designed light distribution pattern. The reflector may be an integral part of the housing.

The luminaire must comply with the isofootcandle curves as shown.

Low-pressure sodium lamp must:

1. Be a 180 W, single-ended, bayonet-base, tubular, gas-discharge lamp
2. Maintain a minimum of 93 percent of its initial lumens over its rated life
3. Reach 80 percent of its light output within 10 minutes
4. Restrike within 1 minute after a power outage or voltage drop at the lamp socket
5. Have ANSI L74/E designation

The lamp operating position must be at ± 20 degrees from the horizontal.

Lamp must comply with the minimum performance requirements shown in the following table:

Minimum Performance Requirements	
Quality characteristic	Requirement
Initial lumens (lm)	33,000
Rated average life at 10 h/start (h)	18,000

The low-pressure sodium lamp ballast must be an autotransformer or high-reactance type. The power factor must be not less than 90 percent when the ballast is operated at the nominal line voltage with a nominally-rated reference lamp. The lamp wattage regulation spread must not vary by more than ± 6 percent for ± 10 percent input voltage variation from nominal through life.

At the line voltage, the ballast must have a lamp current crest factor not exceeding 1.8 and ballast loss not exceeding 24 percent for a 180 W ballast.

The ballast must include a multi-circuit connector for quick disconnection.

86-1.02K(4) Reserved

86-1.02L Reserved

86-1.02M Photoelectric Controls

Photoelectric control types are as shown in the following table:

Photoelectric Control Types

Control type	Description
I	Pole-mounted photoelectric unit. Test switch housed in an enclosure.
II	Pole-mounted photoelectric unit. Contactor and test switch located in a service equipment enclosure.
III	Pole-mounted photoelectric unit. Contactor and a test switch housed in an enclosure.
IV	A photoelectric unit that plugs into a NEMA twist-lock receptacle, integral with the luminaire.
V	A photoelectric unit, contactor, and test switch located in a service equipment enclosure.

The pole-mounted adaptor for Type I, II, and III photoelectric controls must include a terminal block and cable supports or clamps to support the wires.

The enclosure for Type I and III photoelectric controls must be a NEMA 3R type. The enclosure must have a factory-applied, rust-resistant prime coat and finish coat. The enclosure must be hot-dip galvanized or painted to match the color of the lighting standard.

Photoelectric unit must:

1. Have a screen to prevent artificial light from causing cycling.
2. Have a rating of 60 Hz, 105-130 V(ac), 210-240 V(ac), or 105-240 V(ac).
3. Operate at a temperature range from -20 to 55 degrees C.
4. Consume less than 10 W.
5. Be a 3-prong, twist-lock type with a NEMA IP 65 rating, ANSI C136.10-compliant
6. Have a fail-on state
7. Fit into a NEMA-type receptacle
8. Turn on from 1 to 5 footcandles and turn off from 1.5 to 5 times the turn-on level. Measurements must be made by procedures in *EEI-NEMA Standards for Physical and Electrical Interchangeability of Light-Sensitive Control Devices Used in the Control of Roadway Lighting*.

Type I, II, III, and V photoelectric controls must have a test switch to allow manual operation of the lighting circuit. Switch must be:

1. Single-hole mounting, toggle type
2. Single pole and single throw
3. Labeled *Auto-Test* on a nameplate

Photoelectric control's contactor must be:

1. Normally open
2. Mechanical-armature type with contacts of fine silver, silver alloy, or equal or better material
3. Installed to provide a minimum space of 2-1/2 inches between the contactor terminals and the enclosure's sides

The terminal blocks must be rated at 25 A, 600 V(ac), molded from phenolic or nylon material, and be the barrier type with plated-brass screw terminals and integral marking strips.

86-1.02N Fused Splice Connectors

The fused splice connector for 240 and 480 V(ac) circuits must simultaneously disconnect both ungrounded conductors. The connector must not have exposed metal parts except for the head of the stainless steel assembly screw. The head of the assembly screw must be recessed a minimum of 1/32 inch below the top of the plastic boss that surrounds the head.

The connector must protect the fuse from water or weather damage. Contact between the fuse and fuse holder must be spring loaded.

Fuses must:

1. Be standard, midget, ferrule type
2. Have a nontime-delay feature
3. Be 3/32 by 1-1/2 inches

86-1.02O Grounding Electrodes

Grounding electrode must be:

1. 1 piece
2. Minimum 10-foot length of one of the following:
 - 2.1. Galvanized steel rod or pipe not less than 3/4 inch in diameter
 - 2.2. Copper clad steel rod not less than 5/8 inch in diameter

86-1.02P Enclosures

86-1.02P(1) General

The enclosures must be rated NEMA 3R and include a dead front panel and a hasp with a 7/16-inch-diameter hole for a padlock.

The enclosure's machine screws and bolts must not protrude outside the cabinet wall.

The fasteners on the exterior of an enclosure must be vandal resistant and not be removable. The exterior screws, nuts, bolts, and washers must be stainless steel.

86-1.02P(2) Service Equipment Enclosures

A service equipment enclosure must be factory wired and manufactured from steel and galvanized or have factory-applied, rust-resistant prime and finish coats, except Types II and III.

Type II and III service equipment enclosures must:

1. Be made of 0.125-inch minimum thickness 5052-H32 aluminum sheet complying with ASTM B209.
2. Be manufactured using gas metal arc welding with bare aluminum welding electrodes. The electrodes must comply with AWS A5.10 Class ER5356.
3. Be manufactured using welding procedures, welders, and welding operators that comply with the requirements for welding procedures, welders, and welding operators in in AWS B2.1, "Specification for Welding Procedure and Performance Qualification."
4. Have full-seal weld exterior seams.
5. Exterior welds must be ground smooth and edges filed to a radius of at least 0.03 inch.
6. Have a surface finish that complies with MIL-A-8625 for a Type II, Class I coating, except the anodic coating must have a minimum thickness of 0.0007 inch and a minimum coating weight of 0.001 oz/sq in.

If a Type III enclosure houses a transformer of more than 1 kVA, the enclosure must have effective screened ventilation louvers of no less than 50 sq. in for each louver. The framed screen must be stainless no. 304 with a no. 10 size mesh and secured with at least 4 bolts.

The dead front panel on a Type III service equipment enclosure must have a continuous stainless steel or aluminum piano hinge. The panel must be secured with a latch or captive screws. No live part must be mounted on the panel.

The enclosure must be watertight and marked as specified in NEC to warn of potential electric-arc flash hazards.

Internal conductors for the photoelectric control unit must be 600 V(ac), 14 AWG (THHN) stranded machine tool wire. Where subject to flexing, 19 stranded wire must be used.

The meter area must be have a sealable, lockable, weather-tight cover that can be removed without the use of tools.

For Type III-A, III-B, and III-C enclosures, the meter socket must be a 5-clip type, and the landing lug must be suitable for multiple conductors.

For a Type III-D enclosure, the meter socket must be a 7-clip type, and the landing lug must be suitable for multiple conductors. The pedestal must comply with the Electric Utility Service Equipment Requirements Committee drawing no. 308 or 309.

Landing lugs must be (1) sized for the incoming service utility conductors, (2) compatible with either copper or aluminum conductors, and (3) made of copper or tin-plated aluminum. Live parts of the electrical equipment must be guarded against accidental contact.

The main and neutral busses of the enclosure must be made of tin-plated copper, be rated for 125 A, and be suitable for copper or aluminum conductors.

Each service equipment enclosure must have up to 2 main circuit breakers that will simultaneously disconnect ungrounded service-entrance conductors.

Circuit breaker for a service equipment enclosure must:

1. Be quick-break on either automatic or manual operation
2. Be trip indicating
3. Be internal-trip type
4. Be UL listed or NRTL certified and comply with UL 489 or equal
5. Be clearly marked with the frame size
6. Have an operating mechanism that is enclosed and trip-free from the operating handle on overload
7. Have the trip rating clearly marked on the operating handle
8. Have an interior made of copper

Circuit breakers used as disconnects must have a minimum interrupting capacity of 10,000 A, rms.

The interior of the enclosure must accept plug-in circuit breakers. A minimum of 6 standard single-pole circuit breakers, 3/4" nominal, must be provided for branch circuits.

Identify each circuit breaker and component by description using an engraved phenolic nameplate attached with stainless steel rivets or screws.

Nameplate must be installed:

1. Adjacent to the breaker on the dead front panel. The characters must be a minimum of 1/8 inch high.
2. Adjacent to the component on the back panel. The characters must be a minimum of 1/8 inch high.
3. At the top exterior of the door panel. The nameplate must include the system number, voltage, and number of phases engraved in minimum 3/16-inch-high characters.

A plastic-laminated wiring diagram must be attached inside the enclosure with brass eyelets by a UL-listed or NRTL-certified method.

86-1.02P(3) Lighting and Sign Illumination Enclosures

A lighting and sign illumination enclosure must be manufactured from steel and either galvanized, cadmium plated, or powder coated.

86-1.02Q Cabinets

86-1.02Q(1) General

Cabinets must be factory wired except for battery backup system cabinets.

The fasteners on the exterior of a cabinet, except for battery backup system cabinets, must be removable and vandal resistant. The exterior screws, nuts, bolts, and washers must be stainless steel.

Terminal blocks, circuit breakers, and a power supply must be UL approved.

86-1.02Q(2) Department-Furnished Controller Cabinets

A Department-furnished controller assembly consists of a Model 170E or 2070E controller unit, a wired controller cabinet, and all auxiliary equipment required to operate the system. The Department does not furnish anchor bolts.

86-1.02Q(3) Controller Cabinets

The controller cabinet must be a Model 334L, comply with TEES, and be on the Authorized Material List for traffic signal control equipment. The cabinet must have 3 drawer shelves. Each shelf must be attached to the tops of 2 supporting angles with 4 screws.

86-1.02Q(4) Telephone Demarcation Cabinets

86-1.02Q(4)(a) General

The doors of a telephone demarcation cabinet must be attached using continuous stainless steel piano hinges.

86-1.02Q(4)(b) Type A Telephone Demarcation Cabinets

Reserved

86-1.02Q(4)(c) Type B Telephone Demarcation Cabinets

A Type B telephone demarcation cabinet consists of a mounting panel, outlets, circuit breaker, fan, dead front plates, and fuse.

The mounting panel must be made of 3/4-inch-thick ACX-grade plywood.

The mounting panel must be fastened to the cabinet with nuts, lock washers, and flat washers to 10 welded studs.

The cabinet must be made of 0.125-inch-thick anodized aluminum.

The cabinet door must be hung and secured with drawn latches, lockable with a padlock. The padlock latches must each have a minimum 7/16-inch-diameter hole.

Ventilation louvers must be located on the door.

The fan must be located in a ventilator housing and be controlled thermostatically. The thermostat control must have a range from 80 to 130 degrees F.

The thermostat and fan circuit must be protected with a fuse rated for 175 percent of the motor capacity. The fan capacity must be a minimum 25 cfm.

86-1.02Q(4)(d) Type C Telephone Demarcation Cabinets

Reserved

86-1.02Q(5) Battery Backup System Cabinets

The cabinet for a battery backup system must comply with TEES and be on the Authorized Material List for traffic signal control equipment.

86-1.02R Signal Heads

86-1.02R(1) General

A signal head consists of a signal mounting assembly, backplate, and signal face.

The head must have a terminal block attached to the back of one housing. The terminal block must have enough positions to accommodate all indications. Each position must be permanently labeled for the indications used.

The metal signal heads must not fracture or deflect more than half the lens diameter when tested under California Test 666.

The plastic signal heads must not fracture or deflect when tested under California Test 605.

The deflection must not be more than 10 degrees in either the vertical or horizontal plane after the wind load has been removed from the front of the signal face or more than 6 degrees in either the vertical or horizontal plane after the wind load has been removed from the back of the signal face.

86-1.02R(2) Signal Mounting Assemblies

Signal mounting assembly must include:

1. 1-1/2-inch-diameter steel pipe or galvanized conduit
2. Pipe fitting made of ductile iron, galvanized steel, bronze, or aluminum alloy, Type AC-84B, no. 380
3. Mast arm and post-top slip fitters and terminal compartments made of cast bronze or hot-dip galvanized ductile iron

The horizontal distance between the vertical centerlines of the terminal compartment or slip fitter and of each signal face must not exceed 11 inches except where required for proper signal face alignment or to allow programming of programmed visibility signal sections.

The mounting assembly must be watertight and free of sharp edges or protrusions that might damage conductor insulation. The assembly must have positive-locking serrated fittings that prevent signal faces from rotating when the fittings are mated with similar fittings on the faces.

Each terminal compartment must be fitted with a terminal block having a minimum of 12 positions, each with 2 screw-type terminals. Each terminal must accommodate at least five no. 14 conductors. The terminal compartment must have a cover for easy access to the terminal block.

86-1.02R(3) Backplates

The backplate material must be a homogeneous black color with a lusterless finish.

A metal backplate must be made of a minimum 1/16-inch-thick 3001-14 aluminum.

A plastic backplate must have a minimum thickness of 1/16 inch and be formed from sheet plastic or assembled from extruded, molded, or cast plastic sections. Sections must be factory joined using one of the following:

1. Appropriate solvent cement.
2. Aluminum rivets and washers painted or permanently colored to match the backplate.
3. No. 10 machine screws with flat washers, lock washers, and nuts painted to match the backplate.

Each plastic backplate must be secured to the plastic signal face such that it resists removal or permanent deformation.

86-1.02R(4) Signal Faces

Signal face consists of signal sections with signal housings, LED modules, and visors.

Signal face must:

1. Be adjustable and allow for 360-degree rotation about the vertical axis
2. Comply with ITE publications ST-052-E, *Vehicle Traffic Control Signal Heads: Light Emitting Diode (LED) Circular Signal Supplement* and ST-054, *Vehicle Traffic Control Signal Heads: Light Emitting Diode (LED) Vehicle Arrow Traffic Signal Supplement*
3. Be sealed with a neoprene gasket at the top opening

A metal signal face must have a metal backplate and visor.

A plastic signal face must have a plastic backplate and visor.

If a signal face is supported by a Type MAS slip fitter, spacers are required between the 2 sections. The spacers must be made of the same material as the housing. The vertical dimension of the spacers must allow proper seating of the serrations between the slip fitter and the 2 sections. The 2 sections must be joined with at least two no. 10 minimum machine screws through holes near the front of the housing and the spacers and matching holes in a reinforcing plate installed in the housing.

86-1.02R(4)(a) Signal Sections

86-1.02R(4)(a)(i) General

Signal section must have:

1. Opening at the top and bottom for a 1-1/2-inch pipe
2. Maximum height of 10-1/4 inches for an 8-inch section and 14-3/4 inches for a 12-inch section
3. Hinge pins, door-latching devices, and other exposed hardware manufactured of Type 304/304L or 305 stainless steel
4. Interior screws and fittings manufactured of stainless steel or steel with a corrosion-resistant plating or coating
5. Gaskets made of a material that is not degraded if installed in a section with metal or plastic housing

Sections must be capable of being joined together to form a signal face in any combination. This interchangeability is not required between metal and plastic sections.

Each section must be joined to an adjacent section by one of the following:

1. Minimum of 3 machine screws for 8-inch sections and 4 machine screws for 12-inch sections, installed through holes near the front and back of the housing. Each screw must be a no. 10 and have a nut, flat washer, and lock washer.
2. 2 machine screws, each with a nut, flat washer, and lock washer, installed through holes near the front of the housing and a fastener through the 1-1/2-inch pipe opening. The fastener must have 2 large, flat washers to distribute the load around the pipe's opening and 3 carriage bolts, each with a nut and lock washer. The minimum screw size must be no. 10, and the carriage bolt size must be 1/4 inch.

The holes for the machine screws must be either cast or drilled during signal section fabrication. Each hole must be surrounded by a minimum 1/8-inch-wide boss to allow contact between signal sections about the axis of the hole.

A serrated nylon washer must be inserted between each plastic signal section and the metal mounting assembly. Each serrated nylon washer must be from 3/16 to 1/4 inch thick. The serrations must match those on the signal section and the mounting assembly.

86-1.02R(4)(a)(ii) Programmed Visibility Signal Sections

Programmed visibility signal section must have:

1. Nominal 12-inch-diameter circular or arrow indication
2. Cap visor
3. Adjustable connection that:
 - 3.1. Provides incremental tilting from 0 to 10 degrees above or below the horizontal
 - 3.2. Maintains a common vertical axis through couplers and mountings

The terminal connection must allow external adjustment about the mounting axis in 5-degree increments.

The visibility of each signal section must be capable of adjustment or programming within the section.

The adjustment for the section must be preset at 4 degrees below the horizontal.

86-1.02R(4)(a)(iii) Signal Housings

The signal housing must:

1. Be die-cast aluminum, permanent mold-cast aluminum, or if specified, structural plastic
2. Comply with ITE publications ST-052-E, *Vehicle Traffic Control Signal Heads: Light Emitting Diode (LED) Circular Signal Supplement* and ST-054, *Vehicle Traffic Control Signal Heads: Light Emitting Diode (LED) Vehicle Arrow Traffic Signal Supplement* if made of die-cast or permanent mold-cast aluminum
3. Have a 1-piece, hinged, square-shaped door that is:
 - 3.1. Designed to allow access for replacement of modules without the use of tools
 - 3.2. Secured such that it remains closed during loading tests
4. Have a watertight module or lens mounted in the door
5. Have a terminal block attached to the back, with the terminals permanently labeled for conductors to facilitate field wiring

Each housing must have reinforcement plates. Reinforcement plates must be either sheet aluminum, galvanized steel, or cast aluminum. Each plate must have a minimum thickness of 0.11 inch and a hole concentric with a 1-1/2-inch pipe-mounting hole in the housing. Reinforcement plates must be placed as specified in the following table:

Reinforcement Plate Placement	
Material	Placement
Sheet aluminum	Inside and outside of housing
Galvanized steel	Inside of housing
Cast aluminum	Outside of housing

Reinforcement plates placed outside of the housing must be finished to match the signal housing color and be designed to allow a proper serrated coupling between the signal face and the mounting hardware. A minimum of three no. 10 machine screws must be installed through holes in each plate and matching holes in the housing. Each screw must have a round or binder head, a nut, and a lock washer.

A metal housing must have a metal visor.

Plastic housing must:

1. Be molded in a single piece or fabricated from 2 or more pieces joined into a single piece
2. Be a black color throughout, including the door, matching color no. 17038, 27038, or 37038 of FED-STD-595
3. Have UV stability
4. Be self-extinguishing

If reinforcing webs are used to connect the back of the housing to the top, bottom, and sides of the adjacent housing, reinforcement plates are not required.

The exterior of the housing must be painted as specified in sections 78-4.08 and 59.

86-1.02R(4)(b) LED Signal Modules

An LED signal module must be on the Authorized Material List for LED traffic signal modules.

An LED signal module must comply with ITE publications ST-052-E, *Vehicle Traffic Control Signal Heads: Light Emitting Diode (LED) Circular Signal Supplement* and ST-054, *Vehicle Traffic Control Signal Heads: Light Emitting Diode (LED) Vehicle Arrow Traffic Signal Supplement*, except:

1. Maximum module weight must be 4 lb
2. Module must be a sealed unit with:
 - 2.1. 2 color-coded conductors for the power connection except lane control modules must use 3 color-coded conductors
 - 2.2. Printed circuit board that complies with TEES, chapter 1, section 6
 - 2.3. Lens that is:
 - 2.3.1. Convex or flat with a smooth outer surface
 - 2.3.2. Made of UV-stabilized plastic or glass
 - 2.4. 1-piece EPDM gasket
3. Module must include 3-foot-long conductors with attached quick-disconnect terminals
4. Identification must include:
 - 4.1. Month and year of manufacture
 - 4.2. 1-inch-diameter symbol of the module type with the module color written adjacent to the symbol in 0.50-inch-high letters
5. LED must be the ultra-bright type rated for 100,000 hours of continuous operation
6. Module must have an integral power supply

Individual LEDs must be wired such that a loss or failure of 1 LED will not result in a loss of more than 5 percent of the module's light output. Failure of an individual LED in a string must not result in a loss of an entire string or other indication.

The symbol for a 12-inch U-turn section must be a 15/16-inch-wide inverted *U* with an arrow on the left end.

A lane control section must be a combination module with a red *X* and green arrow. The conductor function and color code must be as shown in the following table:

Function	Color
Neutral	White
Red <i>X</i>	Red
Green arrow	Brown

The minimum power consumption for an LED signal module must be 5 W.

The maximum power consumption for an LED signal module must be as shown in the following table:

LED signal module type	Maximum Power Consumption					
	Power consumption (W)					
	Red		Yellow		Green	
	25 °C	74 °C	25 °C	74 °C	25 °C	74 °C
8-inch circular	8	13	13	16	12	12
12-inch circular	11	17	22	25	15	15
12-inch arrow	9	12	10	12	11	11
12-inch U-turn	9	12	10	12	11	11
Bicycle	11	17	22	25	15	15
Programmed visibility	11	17	22	25	15	15
Lane control (X)	9	12	--	--	--	--
Lane control (Arrow)	--	--	--	--	11	11

Red and green LED signal modules operating over a temperature range from -40 to 74 degrees C and yellow LED signal modules operating at 25 degrees C must maintain the minimum illumination values for 48 months as shown in the following tables:

Angle (v,h)	Minimum Maintained Intensities for Circular Indications					
	Intensities (cd)					
	8-inch			12-inch		
	Red	Yellow	Green	Red	Yellow	Green
2.5, ±2.5	133	267	267	339	678	678
2.5, ±7.5	97	194	194	251	501	501
2.5, ±12.5	57	113	113	141	283	283
2.5, ±17.5	25	48	48	77	154	154
7.5, ±2.5	101	202	202	226	452	452
7.5, ±7.5	89	178	178	202	404	404
7.5, ±12.5	65	129	129	145	291	291
7.5, ±17.5	41	81	81	89	178	178
7.5, ±22.5	18	37	37	38	77	77
7.5, ±27.5	10	20	20	16	32	32
12.5, ±2.5	37	73	73	50	101	101
12.5, ±7.5	32	65	65	48	97	97
12.5, ±12.5	28	57	57	44	89	89
12.5, ±17.5	20	41	41	34	69	69
12.5, ±22.5	12	25	25	22	44	44
12.5, ±27.5	9	16	16	16	32	32
17.5, ±2.5	16	32	32	22	44	44
17.5, ±7.5	14	28	28	22	44	44
17.5, ±12.5	10	20	20	22	44	44
17.5, ±17.5	9	16	16	22	44	44
17.5, ±22.5	6	12	12	20	41	41
17.5, ±27.5	4	9	9	16	32	32

Minimum Maintained Luminance for Indications

Indication type	Luminance (fL)		
	Red	Yellow	Green
Arrow	1,610	3,210	3,210
U-turn	1,610	3,210	3,210
Bicycle	1,610	1,610	1,610
Lane control (X)	1,610	--	--
Lane control (Arrow)	--	--	1,610

Minimum Maintained Luminance for Programmed Visibility Indications

Indication type	Luminance (cd)		
	Red	Yellow	Green
PV at angle $v=2.5$, $h=\pm 2.5$	314	314	314

Conductors must be prewired to the terminal block.

86-1.02R(4)(c) Visors and Directional Louvers

The visor must be a tunnel type.

The visor must have a downward tilt from 3 to 7 degrees with a minimum length of 9-1/2 inches for nominal 12-inch round lenses and 7 inches for nominal 8-inch round lenses.

A metal visor must be formed from minimum 0.050-inch-thick aluminum alloy sheet.

A plastic visor must be either formed from sheet plastic or blow-molded. The plastic must be a black homogeneous color with a lusterless finish. A visor must withstand a wind load applied to its side for 24 hours without permanent deformation or removal from its door when tested under California Test 605 for plastic visors and California Test 666 for metal visors.

If directional louvers are used, the louvers must fit into full-circular signal visors. Louvers must consist of one of the following:

1. Outside cylinder constructed of sheet steel with a minimum nominal thickness of 0.030 inch and vanes constructed of sheet steel with a minimum nominal thickness of 0.016 inch.
2. Outside cylinder and vanes constructed of 5052-H32 aluminum alloy of equal thickness.

86-1.02S Pedestrian Signal Heads

86-1.02S(1) General

A pedestrian signal head consists of a pedestrian signal mounting assembly and a pedestrian signal face comprising of a pedestrian signal housing, an LED countdown pedestrian signal face module, and a front screen.

86-1.02S(2) Pedestrian Signal Mounting Assemblies

A pedestrian signal mounting assembly must comply with the specifications for a signal mounting assembly in section 86-1.02R, except mast arm slip fitters are not required.

86-1.02S(3) Pedestrian Signal Faces

86-1.02S(3)(a) General

Each pedestrian signal face must include a light-duty terminal block rated at 5 A and have 12 positions with no. 6-by-1/8-inch binder head screws. Each position must have 1 screw-type terminal.

The wiring and terminal block must comply with ITE publication ST-055-E, *Pedestrian Traffic Control Signal Indicators: Light Emitting Diode (LED) Signal Modules*.

86-1.02S(3)(b) Pedestrian Signal Housings

Pedestrian signal housing must comply with the specifications for a signal housing in 86-1.02R(4)(a)(iii), except the maximum overall dimensions must be 18-1/2 inches wide, 19 inches high, and 11-1/2 inches deep and without:

1. Visor
2. Watertight module or lens mounted in the door
3. Reinforcement plates

The housing must have a terminal block attached to the back. The terminal block must have enough positions to accommodate all indications. Each position must be permanently labeled for the indications used.

86-1.02S(3)(c) LED Countdown Pedestrian Signal Face Modules

An LED countdown PSF module must comply with ITE publication ST-055-E, *Pedestrian Traffic Control Signal Indicators: Light Emitting Diode (LED) Signal Modules*, except the material must comply with ASTM D3935 and the module must have:

1. Ultra-bright-type LED rated for 100,000 hours of continuous operation.
2. Lot number and month and year of manufacture permanently marked on the back of the module
3. Prominent and permanent vertical markings for accurate indexing and orientation within the pedestrian signal housing if a specific mounting orientation is required. Markings must be a minimum of 1 inch in height and include an up arrow and the word *up* or *top*.
4. Circuit board complying with TEES, chapter 1, section 6.

Individual LEDs must be wired such that a loss or failure of 1 LED will not result in a loss of more than 5 percent of the module's light output. Failure of an individual LED in a string must not result in a loss of an entire string or other indication.

Each symbol must be at least 9 inches high and 5-1/4 inches wide. The 2-digit countdown timer, *Upraised Hand*, and *Walking Person* indications must be electronically isolated from each other. The 3 indications must not share a power supply or interconnect circuitry.

The module must operate over the specified ambient temperature and voltage range and be readable both day and night at distances up to the full width of the area to be crossed. Upon initial testing at 25 degrees C, the module must have at least the luminance values shown in the following table:

PSF module symbol	Luminance
Upraised hand and 2-digit countdown timer (fL)	1,094
Walking person (fL)	1,547

The module must not exceed the power consumption requirements shown in the following table:

Maximum Power Consumption Requirements

PSF module display	At 24 °C	At 74 °C
<i>Upraised Hand</i>	10.0 W	12.0 W
<i>Walking Person</i>	9.0 W	12.0 W
2-digit countdown timer	6.0 W	8.0 W

86-1.02S(3)(d) Front Screen

Pedestrian signal face must have a front screen that is one of the following types:

1. 3/8-inch-thick aluminum honeycomb screen with 0.2-inch-wide cells or a 1/2-inch-thick plastic screen with 3/8-inch-wide squares with 1/16-inch wall thickness that:
 - 1.1. Is installed so it tilts downward at an angle of 15 ± 2 degrees from the top and completely covers the message plate.
 - 1.2. Includes a clear front cover made of either a minimum 1/8-inch-thick acrylic plastic sheet or a minimum 1/16-inch-thick polycarbonate plastic.
 - 1.3. Is held firmly in place, including the cover, with stainless steel or aluminum clips or stainless steel metal screws.
2. Polycarbonate screen that:
 - 2.1. Has a nominal thickness of 1/32 inch.
 - 2.2. Is a 1-1/2-inch-deep eggcrate or Z-crate type.
 - 2.3. Is mounted in a frame constructed of aluminum alloy or polycarbonate with a minimum thickness of 0.040 inch.
 - 2.4. Is held in place with stainless steel screws.

The screen and frame of a pedestrian signal face must be made of either (1) plastic that is a flat black color or (2) anodized aluminum that is a flat black color or finished with lusterless, black, exterior-grade latex paint formulated for application to metal surfaces.

86-1.02T Accessible Pedestrian Signals

Accessible pedestrian signal must comply with the *California MUTCD*, chapter 4E, and have:

1. Audible speech message that plays when the push button is actuated. The message must include the name of the street to be crossed. The accessible pedestrian signal must have at least 5 audible message options.
2. Push button locator tone that clicks or beeps.
3. Feature that activates the pedestrian phase during a failure of the audible message, locator tone, or vibrotactile device.

An accessible pedestrian signal must function with the Department-furnished Model 170E/2070E controller assembly.

No part of the accessible pedestrian signal must be installed inside the controller cabinet. Power for the accessible pedestrian signal must be from the pedestrian signal housing terminal block.

The housing for the signal assembly must be made of corrosion-resistant material. Theft-proof bolts used for mounting the housing to the standard must be stainless steel with a content of 17 percent chromium and 8 percent nickel. The housing must be shaped to fit the pole's curvature.

The color of a metallic housing must match color no. 33538 of FED-STD-595.

The color of a plastic housing must match color no. 17038, 27038, or 37038 of FED-STD-595.

Accessible pedestrian signal must:

1. Have electronic switches, a potentiometer, or an access port for a device for controlling and programming the volume level and messaging
2. Be weatherproof and shockproof

Enclosure for the accessible pedestrian signal must:

1. Weigh less than 7 lb
2. Measure less than 16 by 6 by 5 inches
3. Have a wiring hole with a diameter not exceeding 1-1/8 inches
5. Have a switch for a push button
6. Have a vibrotactile device on the push button or on the arrow
7. Have an internal weatherproof speaker and microphone that senses the ambient sound level

The separation between adjacent holes used for conductors and mounting must be at least twice the diameter of the larger hole.

The speaker grills must be located on the surface of the enclosure. The speakers must not interfere with the housing or its mounting hardware.

The conductor cable between the accessible pedestrian signal assembly and the pedestrian signal head must be a 9 no. 20 conductor cable complying with MIL-W-16878D.

86-1.02U Push Button Assemblies

The housing for a push button assembly must be made of die-cast aluminum, permanent mold-cast aluminum, or UV-stabilized self-extinguishing structural plastic. The plastic housing must have a color throughout that matches color no. 17038, 27038, or 37038 of FED-STD-595.

If the push button is to be attached to a pole, the housing must be shaped to fit the pole's curvature.

The assembly must be waterproof and shockproof.

The push button's switch must be a single-pole, double-throw switching unit with screw-type terminals rated 15 A at 125 V(ac).

Switch for the push button must have:

1. Plunger actuator and a U frame to allow recessed mounting in the push button housing
2. Operating force of 3.5 lb
3. Maximum pretravel of 5/64 inch
4. Minimum overtravel of 1/32 inch
5. Differential travel from 0.002 to 0.04 inch
6. Minimum 2-inch diameter actuator

86-1.02V Reserved

86-1.02W Loop Detector Sealants

86-1.02W(1) General

Sealant for filling loop detector slots must be one of the following:

1. Asphaltic emulsion
2. Elastomeric sealant
3. Epoxy sealant for inductive loops
4. Hot-melt rubberized asphalt

86-1.02W(2) Asphaltic Emulsion Sealant

Asphaltic emulsion sealant must comply with the State Specification 8040-41A-15.

86-1.02W(3) Elastomeric Sealant

Elastomeric sealant must be a polyurethane material that cures only in the presence of moisture if used within the stated shelf life. The sealant must be suitable for use in both asphalt concrete and concrete pavement.

The cured elastomeric sealant must comply with the requirements shown in the following table:

Cured Elastomeric Sealant Requirements

Quality characteristic	Test method	Requirement
Hardness	ASTM D2240 ^a	65–85
Tensile strength (min, MPa)	ASTM D412 ^b	3.45
Elongation (min, %)		400
Flex at -40 °C ^c	--	No cracks
Weathering resistance	ASTM D822 ^d	Slight chalking
Salt spray resistance:	ASTM B117 ^e	
Tensile strength (min, MPa)		3.45
Elongation (min, %)		400
Dielectric constant (%)	ASTM D150 ^f	<25

^aIndentation at 25 °C and 50% relative humidity (Rex. Type A, Model 1700 only)

^bDie C pulled at 508 mm/minute

^c0.6-mm free film bend (180°) over 13-mm mandrel

^dWeatherometer 350 h, cured 7 days at 25 °C and 50% relative humidity

^e28 days at 38 °C with 5% NaCl, Die C, and pulled at 508 mm/minute)

^fChange over a temperature range from -30 to 50 °C

86-1.02W(4) Hot-Melt Rubberized Asphalt Sealant

Hot-melt rubberized asphalt sealant must:

1. Be in solid form at room temperature and fluid at an application temperature range from 190 to 205 degrees C
2. Not produce toxic fumes
3. Be suitable for use in both asphalt concrete and concrete pavement
4. Be packaged in containers clearly marked *Detector Loop Sealant* with the manufacturer's batch and lot number.

The cured hot-melt rubberized asphalt sealant must comply with the requirements shown in the following table:

Cured Hot-Melt Rubberized Asphalt Sealant Requirements

Quality characteristic	Test method	Requirement
Cone penetration (max, 1/10 mm)	ASTM D5329, sec. 6 ^a	35
Flow (max, mm)	ASTM D5329, sec. 8 ^b	5
Resilience (min, %)	ASTM D5329, sec. 12 ^c	25
Softening point (min, °C)	ASTM D36	82
Ductility (min, cm)	ASTM D113 ^d	30
Flash point, Cleveland Open Cup (min, °C)	ASTM D92	288
Viscosity (Pa·s)	ASTM D4402 ^e	2.5–3.5

^aAt 25 °C, 150 g, 5 s

^bAt 60 °C

^cAt 25 °C

^dAt 25 °C, 5 cm/minute

^eBrookfield Thermosel, no. 27 spindle, 20 rpm, 190 °C

86-1.02X Reserved

86-1.02Y Transformers

A transformer must be single-phase and may be a nonsubmersible or submersible type.

A transformer must be a dry type designed for operation on a 60 Hz supply. The transformer must have a decal showing a connection diagram. The diagram must show either color coding or wire tagging with primary (H1, H2) or secondary (X1, X2) markers and the primary and secondary voltage and volt-ampere rating. A transformer must comply with the electrical requirements shown in the following table:

Transformer Electrical Requirements

Quality characteristic	Requirement
Rating (V(ac))	120/480, 120/240, 240/480, or 480/120
Efficiency (%)	> 95
Secondary voltage regulation and tolerance from half load to full load (%)	±3

Secondary 240 and 480 V(ac) windings must be center tapped.

The transformer must withstand the application of 2,200 V(ac) from core to coils and from coil to coil for a 1-minute period when tested immediately after operation of the transformer at full load for 24 hours.

The external leads for the secondary connections must be no. 10 Type USE rated for 600 V(ac).

The transformer's leads must extend a minimum of 12 inches from the case.

The transformer's insulation must be NEMA 185 C or better.

Each transformer must:

1. Include metal half-shell coil protection.
2. Have moisture-resistant, synthetic-varnish-impregnated windings.
3. Be waterproof and suitable for outdoor operation.

Each submersible transformer must:

1. Include a handle and a hanger.
2. Be securely encased in a rugged, corrosion-resistant, watertight case.
3. Have leads that extend out through 1 or more sealed hubs.
4. Be manufactured to withstand a 5-day test with 12-hour on and off periods submerged in 2 feet of salt water that is 2 percent salt by weight. The operating periods must be at full load.

86-1.02Z Batteries

Battery must:

1. Be deep-cycle, sealed, prismatic, lead-calcium-based, absorbed-glass-mat, valve-regulated, lead-acid type
2. Be rated for 12 V
3. Be rated for a temperature range from -25 to 60 degrees C
4. Be group size 24
5. Be commercially available and stocked locally
6. Be marked with a date code, maximum recharge data, and recharge cycles
7. Be new and fully charged when furnished
8. Be free from damage or deformities
9. Have a carrying handle

10. Have 2 top-mounted, threaded-stud posts that include all washers and nuts
11. Include insulating rubber covers for protecting the lugs, posts, and wiring: red for the positive terminal and black for the negative terminal

If a battery is used for a battery backup system, it must accommodate 3/8-inch ring lugs of a Department-furnished battery harness.

86-1.03 CONSTRUCTION

Not Used

86-1.04 PAYMENT

Not Used

Replace section 87 with:

04-15-16

87 ELECTRICAL SYSTEMS

04-15-16

87-1 GENERAL

87-1.01 GENERAL

87-1.01A Summary

Section 87 includes general specifications for constructing and installing electrical systems.

The Department deducts the cost for maintenance performed by the Department on new or portions of existing systems modified under the Contract.

87-1.01B Definitions

Reserved

87-1.01C Submittals

Reserved

87-1.01D Quality Assurance

87-1.01D(1) General

Reserved

87-1.01D(2) Quality Control

Before shipping the material to the job site, submit to METS test samples of:

1. Accessible pedestrian signals
2. LED countdown pedestrian signal face modules
3. LED signal modules
4. LED luminaires

Submit a sample size as shown in the following table:

Electrical Material Sampling

Contract quantity	Test sample size
1–8	1
9–15	2
16–25	3
26–90	5
91–150	8
151–280	13
281–500	20
501–1200	32

Before starting operation of an electrical system, perform a conductor test in the presence of the Engineer.

Conductor test consists of testing each conductor and the conductors in cables for:

1. Continuity.
2. Grounds.
3. Insulation resistance at 500 V(dc) between the circuit and ground. The insulation resistance must be a minimum of 10 M Ω on circuits, except it must be a minimum of 100 M Ω for inductive loop detector circuits.

Start the operational test of the system on any day except Friday or the day before a holiday. The operational test for signals must start from 9:00 a.m. to 2:00 p.m. Notify the Engineer 48 hours before starting the test.

An operational test consists of a minimum of 5 business days of continuous, satisfactory operation of the system. If the system fails, correct the problem and retest the system. A shutdown of the system caused by traffic, a power interruption, or unsatisfactory performance of Department-furnished materials does not constitute discontinuity of the test.

87-1.02 MATERIALS

Not Used

87-1.03 CONSTRUCTION

87-1.03A General

The Engineer determines the final locations of electrical systems.

Verify the locations of electrical systems and the depths of existing detectors, conduits, and pull boxes.

Notify the Engineer before performing work on the existing system.

You may shut down the system for alteration or removal.

Where an existing Department underground facility is shown within 10 feet of any excavation, locate and field mark the facility before performing work that could damage or interfere with the existing facility.

If an existing facility is within 2 feet of an excavation, determine the exact location of the facility by excavating with hand tools before using any power-operated or power-driven excavating or boring equipment. A vacuum excavator may be used if authorized.

Notify the Engineer immediately if an existing facility is damaged by your activities.

If existing underground conduit is to be incorporated into a new system, clean it with a mandrel or cylindrical wire brush and blow it clean with compressed air.

Limit the shutdown of traffic signal systems to normal working hours. Notify the local traffic enforcement agency before shutting down the signal.

Place temporary W3-1 and R1-1 signs in each direction to direct traffic through the intersection during shutdown of the signal. Place two R1-1 signs for 2-lane approaches. The signs must comply with part 2 of the *California MUTCD*.

Cover signal faces when the system is shut down overnight. Cover temporary W3-1 and R1-1 signs when the system is turned on.

If you work on an existing lighting system and the roadway is to remain open to traffic, ensure the system is in operation by nightfall.

Replace detectors you damage within 72 hours, or the Department replaces them and deducts the cost.

Work performed on an existing system not described is change order work.

Do not use electrical power from existing highway facilities unless authorized.

Maintain a minimum 48-inch clearance for a pedestrian pathway when placing equipment.

Except for service installation or work on service equipment enclosures, do not work above ground until all materials are on hand to complete the electrical work at each location.

Bond all metal components to form a continuous grounded system as specified in NEC.

Ground metallic equipment mounted less than 8 feet above the ground surface on a wood pole.

If you damage any portion of a concrete curb, sidewalk, curb ramp, driveway, or gutter depression, replace the entire section between contraction or expansion joints under section 73.

Apply equipment identification characters.

Orient louvers, visors, and signal faces such that they are clearly visible to approaching traffic from the direction being controlled.

Test loops and the detector lead-in cable circuit for continuity, ground, and insulation resistance at the controller cabinet before connecting detector lead-in cable to the terminal block.

Perform an operational test of the systems.

Before starting the operational test for systems that impact traffic, the system must be ready for operation, and all signs, pavement delineation, and pavement markings must be in place at that location.

87-1.03B Conduit Installation

87-1.03B(1) General

The installation of conduit includes installing caps, bushings, and pull tape and terminating the conduit in pull boxes, foundations, poles, or a structure.

Limit the number of bends in a conduit run to no more than 360 degrees between pull points.

Use conduit to enclose conductors except where they are installed overhead or inside standards or posts.

You may use a larger size conduit than specified for the entire length between termination points. Do not use a reducing coupling.

Extend an existing conduit using the same material. Terminate conduits of different materials in a pull box.

Install 2 conduits between a controller cabinet and the adjacent pull box.

Use a minimum trade size of conduit of:

1. 1-1/2 inches from an electrolier to the adjacent pull box
2. 1 inch from a pedestrian push button post to the adjacent pull box
3. 2 inches from a signal standard to the adjacent pull box
4. 3 inches from a controller cabinet to the adjacent pull box
5. 2 inches from an overhead sign to the adjacent pull box
6. 2 inches from a service equipment enclosure to the adjacent pull box
7. 1-1/2 inches if unspecified

Use Type 1 conduit:

1. On all exposed surfaces
2. In concrete structures
3. Between a structure and the nearest pull box

Ream the ends of shop-cut and field-cut conduit to remove burrs and rough edges. Make the cuts square and true. Do not use slip joints and running threads to couple conduit. If a standard coupling cannot be used for metal-type conduit, use a threaded union coupling. Tighten the couplings for metal conduit to maintain a good electrical connection.

Cap the ends of conduit to prevent debris from entering before installing the conductors or cables. Use a plastic cap for Type 1, 2, and 5 conduits and a standard pipe cap for all other types of conduit.

For Type 1, 2, and 5 conduits, use threaded bushings and bond them using a jumper. For other types of conduit, use nonmetallic bushings.

Do not install new conduit through foundations.

Cut Type 2 conduit with pipe cutters; do not use hacksaws. Use standard conduit-threading dies for threading conduit. Tighten conduit into couplings or fittings using strap wrenches or approved groove joint pliers.

Cut Type 3 conduit with tools that do not deform the conduit. Use a solvent weld for connections.

Protect shop-cut threads from corrosion under the standards shown in the following table:

Shop-Cut Thread Corrosion Protection

Conduit	Standard
Types 1 and 2	ANSI C80.1
Type 5	ANSI C80.6

Apply 2 coats of unthinned, organic zinc-rich primer to metal conduit before painting. Use a primer on the Authorized Material List for organic zinc-rich primers. Do not use aerosol cans. Do not remove shop-installed conduit couplings.

For conduits, paint:

1. All exposed threads
2. Field-cut threads, before installing conduit couplings to metal conduit
3. Damaged surfaces on metal conduit

If a Type 2 conduit or conduit coupling coating is damaged:

1. Clean the conduit or fitting and paint it with 1 coat of rubber-resin-based adhesive under the manufacturer's instructions
2. Wrap the damaged coating with at least 1 layer of 2-inch-wide, 20 mils-minimum-thickness, PVC tape under ASTM D1000 with a minimum tape overlap of 1/2 inch

You may repair damaged spots of 1/4 inch or less in diameter in the thermoplastic coating by painting with a brushing-type compound supplied by the conduit manufacturer.

If factory bends are not used, bend the conduit to a radius no less than 6 times its inside diameter without crimping or flattening it. Comply with the bending requirements shown in the following table:

Conduit-Bending Requirements

Type	Requirement
1	Use equipment and methods under the conduit manufacturer's instructions.
2	Use a standard bending tool designed for use on thermoplastic-coated conduit. The conduit must be free of burrs and pits.
3	Use equipment and methods under the conduit manufacturer's instructions. Do not expose the conduit to a direct flame.
5	Use equipment and methods under the conduit manufacturer's instructions.

Install pull tape with at least 2 feet of slack in each end of the conduit that will remain empty. Attach the tape's ends to the conduit.

Install conduit terminating in a standard or pedestal from 2 to 3 inches above the foundation. Slope the conduit toward the handhole opening.

Terminate conduit installed through the bottom of a nonmetallic pull box 2 inches above the bottom and 2 inches from the wall closest to the direction of the run.

87-1.03B(2) Conduit Installation for Structures

87-1.03B(2)(a) General

Paint exposed Type 1 conduit the same color as the structure.

Install galvanized steel hangers, steel brackets, and other fittings to support conduit in or on a wall or bridge.

87-1.03B(2)(b) New Structures

Seal and make watertight the conduits which lead to soffits, wall-mounted luminaires, other lights, and fixtures located below the pull box grade.

If you place a conduit through the side of a nonmetallic pull box, terminate the conduit 2 inches from the wall and 2 inches above the bottom. Slope the conduit toward the top of the box to facilitate pulling conductors.

For ease of installation and if authorized, you may use Type 4 conduit instead of Type 1 conduit for the final 2 feet of conduit entering a pull box in a reinforced concrete structure.

Install an expansion fitting where a conduit crosses an expansion joint in a structure. Each expansion fitting for metal conduit must include a copper bonding jumper having the ampacity as specified in NEC.

Install an expansion-deflection fitting for an expansion joint with a 1-1/2-inch movement rating. The fitting must be watertight and include a molded neoprene sleeve, a bonding jumper, and 2 silicon bronze or zinc-plated iron hubs.

For an expansion joint with a movement rating greater than 1-1/2 inches, install the expansion-deflection fitting as shown.

For conduit installed inside of bridge structures, you must:

1. Install precast concrete cradles made of minor concrete and commercial-quality welded wire fabric. The minor concrete must contain a minimum of 590 lb of cementitious material per cubic yard. The cradles must be moist cured for a minimum of 3 days.
2. Bond precast concrete cradles to a wall or bridge superstructure with one of the following:
 - 2.1. Epoxy adhesive for bonding freshly-mixed concrete to hardened concrete.
 - 2.2. Rapid-set epoxy adhesive for pavement markers.
 - 2.3. Standard-set epoxy adhesive for pavement markers.
3. Use a pipe sleeve or form an opening for a conduit through a bridge superstructure. The sleeve or opening through a prestressed member or conventionally reinforced precast member must be:
 - 3.1. Oriented transverse to the member.
 - 3.2. Located through the web.
 - 3.3. No more than 4 inches in size.
4. Wrap the conduit with 2 layers of asphalt felt building paper and securely tape or wire the paper in place for a conduit passing through a bridge abutment wall. Fill the space around the conduit with mortar under section 51-1, except the proportion of cementitious material to sand must be 1 to 3. Fill the space around the conduits after prestressing is completed.

Thread and cap a conduit installed for future use in structures. Mark the location of the conduit's end in a structure, curb, or wall directly above the conduit with a Y that is 3 inches tall.

87-1.03B(2)(c) Existing Structures

Run surface-mounted conduit straight and true, horizontal or vertical on the wall, and parallel to walls on ceilings or similar surfaces. Support the conduit at a maximum of 5-foot intervals where needed to prevent vibration or deflection. Support the conduit using galvanized, malleable-iron, conduit clamps, and clamp backs secured with expansion anchorage devices complying with section 75-3.02C. Use the largest diameter of galvanized, threaded studs that will pass through the mounting hole in the conduit clamp.

87-1.03B(3) Conduit Installation Underground

87-1.03B(3)(a) General

Install conduit to a depth of:

1. 14 inches for the trench-in-pavement method
2. 18 inches, minimum, under sidewalk and curbed paved median areas
3. 42 inches, minimum, below the bottom of the rail of railroad tracks
4. 30 inches, minimum, everywhere else below grade

Place conduit couplings at a minimum of 6 inches from the face of a foundation.

Place a minimum of 2 inches of sand bedding in a trench before installing Type 2 or Type 3 conduit and 4 inches of sand bedding over the conduit before placing additional backfill material.

If installing conduit within the limits of hazardous locations as specified in NEC for Class I, division 1, install and seal Type 1 or Type 2 conduit with explosion-proof sealing fittings.

87-1.03B(3)(b) Conduit Installation under Paved Surfaces

You may lay conduit on existing pavement within a new curbed median constructed on top.

Install conduit under existing pavement by the jacking or drilling methods. You may use the trench-in-pavement method for either of the following conditions:

1. If conduit is to be installed behind the curb under the sidewalk
2. If the delay to vehicles will be less than 5 minutes

Do not use the trench-in-pavement method for conduit installations under freeway lanes or freeway-to-freeway connector ramps.

87-1.03B(3)(c) Reserved

87-1.03B(3)(d) Conduit Installation under Railroad Tracks

Install Type 1 or Type 2 conduit with a minimum diameter of 1-1/2 inches under railroad tracks. If you use the jacking or drilling method to install the conduit, construct the jacking pit a minimum of 13 feet from the tracks' centerline at the near side of the pit. Cover the jacking pit with planking if left overnight.

87-1.03B(4) Reserved

87-1.03B(5) Conduit Installation by the Jacking or Drilling Method

Keep the jacking or drilling pit 2 feet away from the pavement's edge. Do not weaken the pavement or soften the subgrade with excessive use of water.

If an obstruction is encountered, obtain authorization to cut small holes in the pavement to locate or remove the obstruction.

You may install Type 2 or Type 3 conduit under the pavement if a hole larger than the conduit's diameter is predrilled. The predrilled hole must be less than one and half the conduit's diameter.

Remove the conduit used for drilling or jacking and install new conduit for the completed work.

87-1.03B(6) Conduit Installation by the Trenching-In-Pavement Method

Install conduit by the trenching-in-pavement method using a trench approximately 2 inches wider than the conduit's outside diameter but not exceeding 6 inches in width.

Where additional pavement is to be placed, you must complete the trenching before the final pavement layer is applied.

If the conduit shown is to be installed under the sidewalk, you may install it in the street within 3 feet of and parallel to the face of the curb. Install pull boxes behind the curb.

Cut the trench using a rock-cutting excavator. Minimize the shatter outside the removal area of the trench.

Dig the trench by hand to the required depth at pull boxes.

Place conduit in the trench.

Backfill the trench with minor concrete to the pavement's surface by the end of each work day. If the trench is in asphalt concrete pavement and no additional pavement is to be placed, backfill the top 0.10 foot of the trench with minor HMA within 3 days after trenching.

87-1.03C Installation of Pull Boxes

87-1.03C(1) General

Install pull boxes no more than 200 feet apart.

You may install larger pull boxes than specified or shown and additional pull boxes to facilitate the work except in structures.

Install a pull box on a bed of crushed rock and grout it before installing conductors. The grout must be from 0.5 to 1 inch thick and sloped toward the drain hole. Place a layer of roofing paper between the grout and the crushed rock sump. Make a 1-inch drain hole through the grout at the center of the pull box.

Set the pull box such that the top is 1-1/4 inches above the surrounding grade in unpaved areas and leveled with the finished grade in sidewalks and other paved areas.

Place the cover on the box when not working in it.

Grout around conduits that are installed through the sides of the pull box.

Bond and ground the metallic conduit before installing conductors and cables in the conduit.

Bond metallic conduits in a nonmetallic pull box using bonding bushings and bonding jumpers.

Do not install pull boxes in concrete pads, curb ramps, or driveways.

Reconstruct the sump of a pull box if disturbed by your activities. If the sump was grouted, remove and replace the grout.

87-1.03C(2) Nontraffic Pull Boxes

If you bury a nontraffic pull box, set the box such that the top is 6 to 8 inches below the surrounding grade. Place a 20-mil-thick plastic sheet made of HDPE or PVC virgin compounds to prevent water from entering the box.

Place mortar between a nontraffic pull box and a pull box extension.

Where a nontraffic pull box is in the vicinity of curb in an unpaved area, place the box adjacent to the back of the curb if practical.

Where a nontraffic pull box is adjacent to a post or standard, place the box within 5 feet upstream from traffic if practical.

If you replace the cover on a nontraffic pull box, anchor it to the box.

87-1.03C(3) Traffic Pull Boxes

Place minor concrete around and under a traffic pull box.

Bolt the steel cover to the box when not working in it.

Bond the steel cover to the conduit with a jumper and bolt it down after installing the conductors and cables.

87-1.03C(4) Structure Pull Boxes

Bond metallic conduit in a metal pull box in a structure using locknuts, inside and outside of the box, bonding bushings, and bonding jumpers connected to bonding wire running in the conduit system.

87-1.03D Reserved

87-1.03E Excavating and Backfilling for Electrical Systems

87-1.03E(1) General

Notify the Engineer at least 72 hours before starting excavation activities.

Dispose of surplus excavated material.

Restrict closures for excavation on a street or highway to 1 lane at a time unless otherwise specified.

87-1.03E(2) Trenching

Dig a trench for the electrical conduits or direct burial cables. Do not excavate until the conduit or direct burial cable will be installed.

Place excavated material in a location that will not interfere with traffic or surface drainage.

After placing the conduit or direct burial cable, backfill the trench with the excavated material. Compact the backfill placed outside the hinge point of slopes and not under pavement to a minimum relative compaction of 90 percent.

Compact the backfill placed within the hinge points and in areas where pavement is to be constructed to a minimum relative compaction of 95 percent.

Restore the sidewalks, pavement, and landscaping at a location before starting excavation at another location.

87-1.03E(3) Concrete Pads, Foundations, and Pedestals

Construct foundations for standards, poles, metal pedestals, and posts under section 56-3.

Construct concrete pads, foundations, and pedestals for controller cabinets, telephone demarcation cabinets, and service equipment enclosures on firm ground.

Install anchor bolts using a template to provide proper spacing and alignment. Moisten the forms and ground before placing the concrete. Keep the forms in place until the concrete sets for at least 24 hours to prevent damage to the surface.

Use minor concrete for pads, foundations, and pedestals.

In unpaved areas, place the top of the foundation 6 inches above the surrounding grade, except place the top:

1. 1 foot 6 inches above the grade for Type M and 336L cabinets
2. 1 foot 8 inches above the grade for Type C telephone demarcation cabinets
3. 2 inches above the grade for Type G and Type A cabinets and Type III service equipment enclosures

The pad must be 2 inches above the surrounding grade.

In and adjacent to the sidewalk and other paved areas, place the top of the foundation 4 inches above the surrounding grade, except place the top:

1. 1 foot 6 inches above the grade for Type M and 336L cabinets
2. 1 foot 8 inches above the grade for Type C telephone demarcation cabinets
3. Level with the finished grade for Type G and Type A cabinets and Type III service equipment enclosures

The pad must be level with the finished grade.

Apply an ordinary surface finish under section 51-1.03F.

Allow the foundation to cure for at least 7 days before installing any equipment.

87-1.03F Conductors and Cable Installations

87-1.03F(1) General

The installation of conductors and cables includes splicing conductors and attaching the terminals and connectors to the conductors.

Clean the conduit and pull all conductors and cables as a unit.

If new conductors or cables are to be added in an existing conduit:

1. Remove the content
2. Clean the conduit
3. Pull both old and new conductors and cables as a unit

Wrap conductors and secure cables to the end of the conduit in a pull box.

Seal the ends of conduits with a sealing compound after installing conductors or cables.

Neatly arrange conductors and cables inside pull boxes and cabinets. Tie the conductors and cables together with self-clinching nylon cable ties or enclose them in a plastic tubing or raceway.

Identify conductors and cables by direct labeling, tags, or bands fastened in such a way that they will not move. Use mechanical methods for labeling.

Provide band symbol identification on each conductor or each group of conductors comprising a signal phase in each pull box and near the end of terminated conductors.

Tape the ends of unused conductors and cables in pull boxes to form a watertight seal.

Do not connect the push-button or accessible pedestrian signal neutral conductor to the signal neutral conductor.

87-1.03F(2) Cables

87-1.03F(2)(a) General

Reserved

87-1.03F(2)(b) Reserved

87-1.03F(2)(c) Copper Cables

87-1.03F(2)(c)(i) General

Reserved

87-1.03F(2)(c)(ii) Detector Lead-in Cables

Install a Type B or C detector lead-in cable in conduit.

Waterproof the ends of the lead-in cable before installing it in the conduit to prevent moisture from entering the cable.

Splice loop conductors for each direction of travel for the same phase, terminating in the same pull box, to a separate lead-in cable running from the pull box adjacent to the loop detector to a sensor unit mounted in the controller cabinet. Install the lead-in cable without splices except at the pull box.

Verify in the presence of the Engineer that the loops are operational before making the final splices between loop conductors and the lead-in cable.

Identify and tag each lead-in cable with the detector designation at the cabinet and pull box adjacent to the loops.

87-1.03F(2)(c)(iii) Conductors Signal Cables

Do not splice signal cables except for a 28-conductor cable.

Provide identification at the ends of terminated conductors in a cable as shown.

Provide identification for each cable in each pull box showing the signal standard to which it is connected except for the 28-conductor cable.

Connect conductors in a 12-conductor cable as shown in the following table:

12CSC Color Code and Functional Connection

Color code	Termination	Phase
Red	Red signal	2, 4, 6, or 8
Yellow	Yellow signal	2, 4, 6, or 8
Brown	Green signal	2, 4, 6, or 8
Red/black stripe	Red signal	1, 3, 5, or 7
Yellow/black stripe	Yellow signal	1, 3, 5, or 7
Brown/black stripe	Green signal	1, 3, 5, or 7
Black/red stripe	Spare or as required for red or <i>DONT WALK</i>	--
Black/white stripe	Spare or as required for yellow	--
Black	Spare or as required for green or <i>WALK</i>	--
Red/white stripe	Pedestrian signal <i>DONT WALK</i>	--
Brown/white stripe	Pedestrian signal <i>WALK</i>	--
White	Terminal block	Neutral

Provide identification for each 28-conductor cable C1 or C2 in each pull box. The cable labeled C1 must be used for signal phases 1, 2, 3, and 4. The cable labeled C2 must be used for signal phases 5, 6, 7, and 8.

Connect conductors in a 28-conductor cable as shown in the following table:

28CSC Color Code and Functional Connection

Color code	Termination	Phase
Red/black stripe	Red signal	2 or 6
Yellow/black stripe	Yellow signal	2 or 6
Brown/black stripe	Green signal	2 or 6
Red/orange stripe	Red signal	4 or 8
Yellow/orange stripe	Yellow signal	4 or 8
Brown/orange stripe	Green signal	4 or 8
Red/silver stripe	Red signal	1 or 5
Yellow/silver stripe	Yellow signal	1 or 5
Brown/silver stripe	Green signal	1 or 5
Red/purple stripe	Red signal	3 or 7
Yellow/purple stripe	Yellow signal	3 or 7
Brown/purple stripe	Green signal	3 or 7
Red/2 black stripes	Pedestrian signal <i>DONT WALK</i>	2 or 6
Brown/2 black stripes	Pedestrian signal <i>WALK</i>	2 or 6
Red/2 orange stripes	Pedestrian signal <i>DONT WALK</i>	4 or 8
Brown/2 orange stripes	Pedestrian signal <i>WALK</i>	4 or 8
Red/2 silver stripes	Overlap A, C	OLA ^a , OLC ^a
Brown/2 silver stripes	Overlap A, C	OLA ^c , OLC ^c
Red/2 purple stripes	Overlap B, D	OLB ^a , OLD ^a
Brown/2 purple stripes	Overlap B, D	OLB ^c , OLD ^c
Blue/black stripe	Pedestrian push button	2 or 6
Blue/orange stripe	Pedestrian push button	4 or 8
Blue/silver stripe	Overlap A, C	OLA ^b , OLC ^b
Blue/purple stripe	Overlap B, D	OLB ^b , OLD ^b
White/black stripe	Pedestrian push button common	--
Black/red stripe	Railroad preemption	--
Black	Spare	--
White	Terminal block	Neutral

OL = Overlap; A, B, C, and D = Overlapping phase designation

^aFor red phase designation

^bFor yellow phase designation

^cFor green phase designation

Use the neutral conductor only with the phases associated with that cable. Do not intermix neutral conductors from different cables except at the signal controller.

87-1.03F(2)(c)(iv) Signal Interconnect Cable

For a signal interconnect cable, provide a minimum of 6 feet of slack inside each controller cabinet.

Do not splice the cable unless authorized.

If splices are authorized, insulate the conductor splices with heat-shrink tubing and overlap the insulation at least 0.6 inch. Cover the splice area of the cable with heat-shrink tubing and overlap the cable jacket at least 1-1/2 inches. Provide a minimum of 3 feet of slack at each splice.

87-1.03F(3) Conductors

87-1.03F(3)(a) General

Do not run conductors to a terminal block on a standard unless they are to be connected to a signal head mounted on that standard.

Provide 3 spare conductors in all conduits containing ramp metering and traffic signal conductors.

Install a separate conductor for each terminal of a push button assembly and accessible pedestrian signal.

Provide conductor slack to comply with the requirements shown in the following table:

Conductor Slack Requirements	
Location	Slack (feet)
Signal standard	1
Lighting standard	1
Signal and lighting standard	1
Pull box	3
Splice	3
Standards with slip base	0

87-1.03F(3)(b) Reserved

87-1.03F(3)(c) Copper Conductors

87-1.03F(3)(c)(i) General

Install a minimum no. 8, insulated, grounding copper conductor in conduit and connect it to all-metal components.

Where conductors from different service points occupy the same conduit or standard, enclose the conductors from one of the services in flexible or rigid metal conduit.

87-1.03F(3)(c)(ii) Inductive Loop Conductors

Install a Type 1 or 2 inductive loop conductor except use Type 2 for Type E loop detectors.

Install the conductor without splices except at the pull box.

87-1.03F(4) Manual Installation Method

Use an inert lubricant for placing conductors and cables in conduit.

Pull the conductors and cables into the conduit by hand using pull tape.

87-1.03G Equipment Identification Characters

The Engineer provides you with a list of the equipment identification characters.

Stencil the characters or apply the reflective self-adhesive labels to a clean surface.

Treat the edges of self-adhesive characters with an edge sealant.

Place the characters on the side facing traffic on:

1. Front doors of cabinets and service equipment enclosures.
2. Wood poles, fastened with 1-1/4-inch aluminum nails, for pole mounted enclosures
3. Adjacent bent or abutment at approximately the same station as an illuminated sign or soffit luminaire
4. Underside of the structure adjacent to the illuminated sign or soffit luminaire if no bent or abutment exists nearby
5. Posts of overhead signs

6. Standards

Before placing new characters on existing or relocated equipment, remove the existing characters.

87-1.03H Conductor and Cables Splices

87-1.03H(1) General

You may splice:

1. Grounded conductors in a pull box
2. Accessible pedestrian signal and push bottom conductors in a pull box
3. Ungrounded signal conductors in a pull box if signals are modified
4. Ungrounded signal conductors to a terminal compartment or a signal head on a standard with conductors of the same phase in the pull box adjacent to the standard
5. Ungrounded lighting circuit conductors in a pull box if lighting circuits are modified

Solder all splices using the hot iron, pouring, or dipping method. Do not perform open-flame soldering.

87-1.03H(2) Splice Insulation Methods

Insulate splices in a multiconductor cable to form a watertight joint and to prevent moisture absorption by the cable.

Use heat-shrink tubing or Method B to insulate a splice.

Use heat-shrink tubing as follows:

1. Cover the splice area completely with an electrical insulating coating and allow it to dry.
2. Place mastic around each conductor before placing them inside the tubing. Use the type of mastic specified in the tubing manufacturer's instructions.
3. Heat the area under the manufacturer's instructions. Do not perform open-flame heating. After contraction, each end of the heat-shrink tubing or the open end of the tubing's end cap must overlap the conductor insulation at least 1-1/2 inches.
4. Cover the entire splice with an electrical insulating coating and allow it to dry.

Use Method B as follows:

1. Cover the splice area completely with an electrical insulating coating and allow it to dry.
2. Apply 3 layers of half-lapped, 80-mils, PVC tape.
3. Apply 2 layers of 120-mils, butyl-rubber, stretchable tape with liner.
4. Apply 3 layers of half-lapped, 6-mils, PVC, pressure-sensitive, adhesive tape.
5. Cover the entire splice with an electrical insulating coating and allow it to dry.

87-1.03I Connectors and Terminals

Apply connectors and terminals to cables and conductors using a crimping compression tool under the manufacturer's instructions. The tool must prevent opening of the handles until the crimp is completed.

Install crimp-style terminal lugs on stranded conductors smaller than no. 14.

Solder no. 8 and smaller conductors to connectors and terminal lugs.

87-1.03J Standards, Poles, Pedestals, and Posts

Install standards, poles, pedestals, and posts under section 56-3.

Ground standards with a handhole by attaching a bonding jumper from the bolt or lug inside the standard to a metal conduit or to the grounding wire in the adjacent pull box. The bonding jumper must be visible when the handhole cover is removed.

Ground standards without a handhole or standards with a slip base by attaching a bonding jumper to all anchor bolts using ground clamps and connecting it to a metal conduit or to the grounding wire in the adjacent pull box. The bonding jumper must be visible after mortar has been placed on the foundation.

87-1.03K Reserved

87-1.03L Utility Service

87-1.03L(1) General

Install the service equipment early enough to allow the utility to complete its work before completion of the electrical work.

At least 15 days before permanent electrical and telecommunication service is required, request the service connections for permanent installations. The Department arranges with the utilities for completion of the connections and pays all costs and fees required by the utilities.

87-1.03L(2) Electric Service

87-1.03L(2)(a) General

If service equipment is to be installed on a utility-owned pole, furnish and install the conduit, conductors, pull boxes, and other necessary material to complete the service installation. The service utility decides the position of the riser and equipment on the pole.

87-1.03L(2)(b) Electric Service for Irrigation

Establishing electric service for irrigation includes installing conduit, conductors, and pull boxes and making connections from the service point to the irrigation controllers.

87-1.03L(2)(c) Electric Service for Booster Pumps

Establishing electric service for a booster pump includes installing conduit, conductors, and pull boxes and making connections from the service point to the booster pump enclosure.

87-1.03L(3) Telecommunications Service

Establishing telecommunication service includes installing conduit, conductors, and pull boxes and making connections from the service point to the telephone demarcation cabinet.

87-1.03M Photoelectric Controls

Mount the photoelectric unit on the top of the pole for Type I, II, and III photoelectric controls. Use mounting brackets where pole-top mounting is not possible. Orient the photoelectric unit to face north.

Mount the enclosure at a height of 6 feet above finished grade on the same standard as the photoelectric unit.

Install a minimum 100 VA, 480/120 V(ac) transformer in the contactor enclosure to provide 120 V(ac) for the photoelectric control unit when switching 480 V(ac), 60 Hz circuits.

87-1.03N Fused Splice Connectors

Install a fuse splice connector in each ungrounded conductor for luminaires mounted on standards. The connector must be located in the pull box adjacent to the standard.

Crimp the connector terminals onto the ungrounded conductors using a tool under the manufacturer's instructions. Insulate the terminals and make them watertight.

87-1.03O Grounding Electrodes

Install a grounding electrode for each cabinet, service equipment enclosure, and transformer.

Attach a grounding conductor from the electrode using either a ground clamp or exothermic weld. Connect the other end of the conductor to the cabinet, service equipment enclosure, and transformer.

87-1.03P Service Equipment Enclosures

Installing a service equipment enclosure includes constructing the foundation and pad and installing conduit, adjacent pull boxes, and grounding electrode.

Locate the foundation such that the minimum clearance around the front and back of the enclosure complies with NEC, article 110.26, "Spaces About Electrical Equipment, (600 V, nominal or less)."

Bond and ground metal conduit as specified in NEC and by the service utility except the grounding electrode conductor must be no. 6 or larger.

If circuit breakers and components do not have a description on engraved phenolic nameplates, install them using stainless steel rivets or screws under section 86-1.02P(2).

87-1.03Q Cabinets

87-1.03Q(1) General

Installing a cabinet includes constructing the foundation and pad and installing conduit, adjacent pull boxes, and grounding electrode.

Apply a mastic or caulking compound before installing the cabinet on the foundation to seal the openings.

Connect the field wiring to the terminal blocks in the cabinet. Neatly arrange and lace or enclose the conductors in plastic tubing or raceway. Terminate the conductors with properly sized captive or spring spade terminals. Apply a crimp-style connector and solder them.

Install and solder a spade-type terminal on no. 12 and smaller field conductors and a spade-type or ring-type terminal on conductors larger than no. 12.

87-1.03Q(2) Department-Furnished Controller Cabinets

Arrange for the delivery of Department-furnished controller cabinets.

87-1.03Q(3) Reserved

87-1.03Q(4) Telephone Demarcation Cabinets

Installing a telephone demarcation cabinet includes installing conduit, cable, and pull boxes to the controller cabinet.

Install the cabinet with the back toward the nearest lane of traffic.

87-1.03R Signal Heads

87-1.03R(1) General

Installing a signal head includes mounting the heads on standards and mast arms, installing backplates and visors, and wiring conductors to the terminal blocks.

Keep the heads covered or direct them away from traffic until the system is ready for operation.

87-1.03R(2) Signal Faces

Use the same brand and material for the signal faces at each location.

Program the programmable visibility signal faces under the manufacturer's instructions. The indication must be visible only in those areas or lanes to be controlled.

87-1.03R(3) Backplates

Install backplates using at least six 10-24 or 10-32 self-tapping and locking stainless steel machine screws and flat washers.

If a plastic backplate requires field assembly, attach each joint using at least four no.10 machine screws. Each machine screw must have an integral or captive flat washer, a hexagonal head slotted for a

standard screwdriver, and either a locking nut with an integral or captive flat washer or a nut, flat washer, and lock washer. Machine screws, nuts, and washers must be stainless steel or steel with a zinc or black oxide finish.

If a metal backplate has 2 or more sections, fasten the sections with rivets or aluminum bolts peened after assembly to avoid loosening.

Install the backplate such that the background light is not visible between the backplate and the signal face or between sections.

87-1.03R(4) Signal Mounting Assemblies

Install a signal mounting assembly such that its members are arranged symmetrically and plumb or level. Orient each mounting assembly to allow maximum horizontal clearance to the adjacent roadway.

For a bracket-mounted assembly, bolt the terminal compartment or pole plate to the pole or standard.

In addition to the terminal compartment mounting, attach the upper pipe fitting of Type SV-1-T with 5 sections or a SV-2-TD to the standard or pole using the mounting detail for signal heads without a terminal compartment.

Use a 4-1/2-inch slip fitter and set screws to mount an assembly on a post top.

After installing the assembly, clean and paint the exposed threads of the galvanized conduit brackets and bracket areas damaged by the wrench or vise jaws. Use a wire brush to clean and apply 2 coats of unthinned, organic zinc-rich primer. Do not use an aerosol can to apply the primer.

Install the conductors in the terminal compartment and secure the cover.

87-1.03S Pedestrian Signal Heads

Installing a pedestrian signal head includes mounting the heads on standards and wiring conductors to the terminal blocks.

Install the pedestrian signal mounting assembly under section 87-1.03R(4).

Use the same brand and material for the pedestrian signal faces at each location.

Install a pedestrian signal face such that its members are arranged symmetrically and plumb or level.

87-1.03T Accessible Pedestrian Signals

Use the same brand for the accessible pedestrian signals at each location.

Install an accessible pedestrian signal and the R10 series sign on the crosswalk side of the standard.

Attach the accessible pedestrian signal to the standard with self-tapping screws.

Attach the sign to the standard using 2 straps and saddle brackets.

Point the arrow on the accessible pedestrian signal in the same direction as the corresponding crosswalk.

Furnish the equipment and hardware to set up and calibrate the accessible pedestrian signal.

Arrange to have a manufacturer's representative at the job site to program the accessible pedestrian signal with an audible message or tone.

87-1.03U Push Button Assemblies

Install the push button assembly and the R10 series sign on the crosswalk side of the standard.

Attach the sign to the assembly for Type B assemblies.

Attach the sign to the standard using 2 straps and saddle brackets for Type C assemblies.

You may use straps and saddle brackets to secure the push button to the standard.

Use a slip fitter to secure the assembly on top of a 2-1/2-inch-diameter post.

87-1.03V Detectors

87-1.03V(1) General

Installing a detector includes installing inductive loop conductors, sealant, conduit, and pull boxes.

Center the detectors in the traffic lanes.

Do not splice the detector conductor.

87-1.03V(2) Inductive Loop Detectors

Mark the location of the inductive loop detectors such that the distance between the side of the loop and a lead-in saw cut from an adjacent detector is at least 2 feet. The distance between lead-in saw cuts must be at least 6 inches.

Saw cut the slots under section 13-4.03E(7). The bottoms of the slots must be smooth with no sharp edges. For Type E detector loops, saw the slots such that the sides are vertical.

Wash the slots clean using water and blow dry them with compressed air to remove all moisture and debris.

Identify the start of the conductor.

Waterproof the ends of a Type 2 loop conductor before installing it in the conduit to prevent moisture from entering the cable.

Install the loop conductor in the slots and lead-in saw cuts using a 3/16- to 1/4-inch-thick wood paddle. Hold the conductors in place at the bottom of the slot with wood paddles during placement of the sealant.

Wind adjacent loops on the same sensor unit channel in opposite directions.

Twist the conductors for each loop into a pair consisting of a minimum of 2 turns per foot before placing them in the lead-in saw cut and the conduit leading to the pull box. Do not install more than 2 twisted pairs of conductors per lead-in saw cut.

Provide 5 feet of slack in the pull box.

Test each loop for continuity, circuit resistance, and insulation resistance before filling the slots with sealant.

Remove excess sealant from the adjacent road surface before it sets. Do not use solvents to remove the excess.

Identify the loop conductor pair in the pull box, marking the start with the letter *S* and the end with the letter *F*. Band conductors in pairs by lane in the pull box adjacent to the loops and in the cabinet. Identify each pair with the detector designation and loop number.

Install the conductors in a compacted layer of HMA immediately below the uppermost layer if more than one layer will be placed. Install the loop conductors before placing the uppermost layer of HMA. Fill the slot with a sealant flush to the surface.

Install the conductors in the existing pavement if one layer of HMA is to be placed. Install the loop conductors before placing the layer of HMA. Fill the slot with a sealant flush to the surface.

87-1.03V(3) Preformed Inductive Loop Detectors

Construct a preformed inductive loop detector consisting of 4 turns in the loop and a lead-in conductor pair twisted at least 2 turns per foot all encased in conduit and sealed to prevent water penetration. The detector must be 6-foot square unless shown otherwise.

Construct the loop detector using a minimum 3/8-inch Schedule 40 or Schedule 80 PVC or polypropylene conduit and no. 16 or larger conductor with Type THWN or TFFN insulation.

In new roadways, place the detector in the base course with the top of the conduit flush with the top of the base. Cover with HMA or concrete pavement. Protect the detector from damage before and during pavement placement.

In new reinforced concrete bridge decks, secure the detector to the top of the uppermost layer of reinforcing steel using nylon wire ties. Hold the detector parallel to the bridge deck using PVC or polypropylene spacers where necessary. Place conduit for lead-in conductors between the uppermost 2 layers of reinforcing steel.

Do not install detectors in existing bridge decks unless authorized.

Install a detector in existing pavement before placement of concrete or HMA as follows:

1. Saw cut slots at least 1-1/4 inches wide into the existing pavement.
2. Place the detector in the slots. The top of the conduit must be at least 2 inches below the top of the pavement.
3. Test each loop circuit for continuity, circuit resistance, and insulation resistance.
4. Fill saw cuts with elastomeric or hot melt rubberized asphalt sealant for asphalt concrete pavement and with epoxy sealant or hot melt rubberized asphalt sealant for concrete pavement.

87-1.03W Sealants

87-1.03W(1) General

Reserved

87-1.03W(2) Elastomeric Sealant

Apply an elastomeric sealant with a pressure feed applicator.

87-1.03W(3) Asphaltic Emulsion Sealant

Asphaltic emulsion sealant must:

1. Be used for filling slots in asphalt concrete pavement of a maximum width of 5/8 inch
2. Not be used on concrete pavement or where the slope causes the material to run from the slot
3. Be thinned under the manufacturer's instructions
4. Be placed when the air temperature is at least 45 degrees F

87-1.03W(4) Hot-Melt Rubberized Asphalt Sealant

Melt the sealant in a jacketed, double-boiler-type, melting unit. The temperature of the heat transfer medium must not exceed 475 degrees F.

Apply the sealant with a pressure feed applicator or a pour pot when the surface temperature of the pavement is greater than 40 degrees F.

87-1.03X Reserved

87-1.03Y Transformers

Installing a transformer includes placing the transformer inside a pull box, a cabinet, or an enclosure.

Wire the transformer for the appropriate voltage.

Ground the secondary circuit of the transformer as specified in the NEC.

87-1.03Z Reserved

87-1.04 PAYMENT

Not Used

87-2 LIGHTING SYSTEMS

87-2.01 GENERAL

87-2.01A Summary

Section 87-2 includes specifications for constructing lighting systems.

Lighting system includes:

1. Foundations
2. Pull boxes
3. Conduit
4. Conductors
5. Standards

6. Luminaires
7. Service equipment enclosure
8. Photoelectric control
9. Fuse splice connectors
10. High mast lighting assemblies

The components of a lighting system are shown on the project plans.

87-2.01B Definitions

Reserved

87-2.01C Submittals

Submit a certificate of compliance and test data for the high mast lighting luminaires.

87-2.01D Quality Assurance

Reserved

87-2.02 MATERIALS

87-2.02A General

Reserved

87-2.02B High Mast Lighting Assemblies

A high mast lighting assembly includes the foundation, pole, lowering device system, luminaires, and control pedestal.

Each luminaire in a high mast lighting assembly must include a housing, an optical system, and a ballast.

The housing must be made of aluminum.

A painted or powder-coated housing for a high mast lighting luminaire must be able to withstand a 1,000-hour salt spray test as specified in ASTM B117.

The optical system, consisting of the reflector, refractor or lens, lamp socket, and lamp, must be in a sealed chamber. The chamber must be sealed by a gasket between the reflector and refractor or lens and a gasket between the reflector and lamp socket. The chamber must have a separate filter or filtering gasket for flow of air.

An asymmetrical luminaire must have a refractor or reflector that is rotatable 360 degrees around a vertical axis to orient the distribution of light.

The luminaire must have a slip fitter for mounting on a 2-inch horizontal pipe tenon and must be adjustable ± 3 degrees from the axis of the tenon.

The reflector must have a specular surface made of silvered glass or aluminum protected by either an anodized finish or a silicate film. The reflector must be shaped such that a minimum of light is reflected through the arc tube of the lamp.

The refractor and lens must be made of heat-resistant glass.

The lamp socket must be a porcelain-enclosed, mogul-multiple type. The shell must contain integral lamp grips to ensure electrical contact under conditions of normal vibrations. The socket must be rated for 1,500 W, 600 V(ac) and 4,000 V(ac) pulse for a 400 W lamp and 5,000 V(ac) pulse for a 1,000 W lamp.

The luminaire must have a dual fuse holder for 2 fuses rated at 5 A, 480 V(ac). The fuses must be 13/32 inch by 1-1/2 inches, standard midget ferrule type with a nontime-delay feature.

The lamps must be vertical burning, protected from undue vibration, and prevented from backing out of the socket by a stainless steel clamp attached to the luminaire.

A 1,000 W metal halide lamp must have an initial output of 100,000 lumens and an average rated life of 12,000 hours based on 10 hours per start.

A 400 W high-pressure sodium lamp must have an initial output of 50,000 lumens. A 1,000 W high-pressure sodium lamp must have an initial output of 140,000 lumens.

The ballast for the luminaire must be a regulator type and have a core and coils, capacitors, and starting aid.

Ballast must be:

1. Mounted within a weatherproof housing that integrally attaches to the top of a luminaire support bracket and lamp support assembly
2. Readily removable without removing the luminaire from the bracket arm
3. Electrically connected to the optical assembly by a prewired quick disconnect

The ballast for a metal halide luminaire must comply with luminaire manufacturer's specifications.

The wattage regulation spread at any lamp voltage, from nominal through the life of the lamp, must vary no more than 22 percent for a 1,000 W lamp and a ± 10 percent input voltage variation. The ballast's starting line current must be less than its operating current.

87-2.02C Soffit and Wall-Mounted luminaires

87-2.02C(1) General

Soffit and wall-mounted luminaires must be weatherproof and corrosion resistant.

Each luminaire must include a 70 W high-pressure sodium lamp with a minimum average rated life of 24,000 hours. The lamp socket must be positioned such that the light center of the lamp is located within 1/2 inch of the designed light center of the luminaire.

Luminaire wiring must be SFF-2.

Flush-mounted soffit luminaire must have:

1. Metal body with two 1-inch-minimum conduit hubs and a means of anchoring the body into the concrete
2. Prismatic refractor made of heat-resistant polycarbonate:
 - 2.1. Mounted in a door frame
 - 2.2. With the street side identified
3. Aluminum reflector with a specular anodized finish
4. Ballast located either within the housing or in a ceiling pull box if shown
5. Lamp socket

The door frame assembly must be hinged, gasketed, and secured to the luminaire body with at least 3 machine screws.

A pendant soffit luminaire must be enclosed and gasketed and have an aluminum finish. Luminaire must have:

1. Aluminum reflector with a specular anodized finish
2. Refractor made of heat-resistant polycarbonate
3. Optical assembly that is hinged and latched for lamp access and a device to prevent dropping
4. Ballast designed for operation in a raintight enclosure
5. Galvanized metal box with a gasketed cover, 2 captive screws, and 2 chains to prevent dropping and for luminaire mounting

Wall-mounted luminaire must have:

1. Cast metal body
2. Prismatic refractor:
 - 2.1. Made of glass
 - 2.2. Mounted in a door frame
3. Aluminum reflector with a specular anodized finish
4. Integral ballast
5. Lamp socket
6. Gasket between the refractor and the body
7. At least 2 mounting bolts of minimum 5/16-inch diameter

A cast aluminum body of a luminaire to be cast into or mounted against concrete must have a thick coat of alkali-resistant bituminous paint on all surfaces to be in contact with the concrete.

87-2.02C(2) High-Pressure Sodium Lamp Ballasts

87-2.02C(2)(a) General

A high-pressure sodium lamp ballast must operate the lamp for its rated wattage.

Starting aids for a ballast must be interchangeable between ballasts of the same wattage and manufacturer without adjustment.

The ballast must be provided with a heat-generating component to serve as a heat sink. The capacitor must be placed at the maximum practicable distance from the heat-generating components or thermally shielded to limit the case temperature to 75 degrees C.

The transformer and inductor must be resin impregnated for protection against moisture. Capacitors, except for those in starting aids, must be metal cased and hermetically sealed.

The ballast must have a power factor of 90 percent or greater.

For the nominal input voltage and lamp voltage, the ballast design center must not vary more than 7.5 percent from the rated lamp wattage.

87-2.02C(2)(b) Regulator-Type Ballasts

A regulator-type ballast must be designed such that a capacitance variance of ± 6 percent does not cause more than ± 8 percent variation in the lamp wattage regulation.

The ballast must have a current crest factor not exceeding 1.8 for an input voltage variation of ± 10 percent.

The lamp wattage regulation spread for a lag-type ballast must not vary by more than 18 percent for ± 10 percent input voltage variations. The primary and secondary windings must be electrically isolated.

The lamp wattage regulation spread for a constant-wattage, autoregulator, lead-type ballast must not vary by more than 30 percent for ± 10 percent input voltage variations.

87-2.02C(2)(c) Nonregulator-Type Ballasts

A nonregulator-type ballast must have a current crest factor not exceeding 1.8 for an input voltage variation of ± 5 percent.

The lamp wattage regulation spread for an autotransformer or high reactance type ballast must not vary by more than 25 percent for ± 5 percent input voltage variations.

87-2.03 CONSTRUCTION

87-2.03A General

Set the foundations for standards such that the mast arm is perpendicular to the centerline of the roadway.

Tighten the cap screws of the luminaire's clamping bracket to 10 ft-lb for LED and low-pressure luminaires.

Label the month and year of the installation inside the luminaire housing's door.

Perform the conductor and operational tests for the system.

87-2.03B High Mast Lighting Assemblies

Mount and connect the luminaires to the accessory support ring. Aim the asymmetrical luminaire to orient the distribution of light.

87-2.03C Soffit and Wall-Mounted Luminaires

For a flush-mounted soffit luminaire:

1. Prevent concrete from getting into the housing during pouring of the concrete for the structure
2. Install the luminaire with the axis vertical and the street side of the refractor oriented as indicated
3. Locate the luminaire to provide a minimum 2-foot clearance from the inside surface of the girders and 1-foot clearance from the near face of the diaphragm
4. Install the bridge soffit and ceiling pull box over the same lane

For a pendant soffit luminaire:

1. Cast in place the inserts for the no. 8 pull box during concrete placement for a new structure
2. Drill holes for expansion anchors to support the no. 8 pull box on existing structures
3. Bond the suspension conduit and luminaire to the pull box

For a wall-mounted luminaire, provide:

1. Extension junction box or ring on a new structure
2. 4 external mounting taps on an existing structure

Place the soffits or wall-mounted luminaires in operation as soon as practicable after the falsework has been removed from the structure.

If the Engineer orders soffit or wall-mounted luminaires to be activated before permanent power service is available, installing and removing the temporary power service is change order work.

87-2.04 PAYMENT

Not Used

87-3 SIGN ILLUMINATION SYSTEMS

87-3.01 GENERAL

87-3.01A Summary

Section 87-3 includes specifications for constructing sign illumination systems.

Sign illumination system includes:

1. Foundations
2. Pull boxes
3. Conduit
4. Conductors
5. Sign lighting fixtures
6. Enclosure for the disconnect circuit breaker
7. Service equipment enclosure
8. Photoelectric control

The components of a sign illumination system are shown on the project plans.

87-3.01B Definitions

Reserved

87-3.01C Submittals

Submit the manufacturer's test data for the induction sign-lighting fixtures.

87-3.01D Quality Assurance

Reserved

87-3.02 MATERIALS

An induction sign-lighting fixture must include a housing with a door, reflector, refractor or lens, lamp, socket assembly, power coupler, high-frequency generator, fuse block, and fuses.

The fixture must comply with the isofootcandle curves as shown.

Fixture must weigh no more than 44 lb, be rated for 87 W at 120/240 V(ac), and have a mounting assembly made of one of the following materials:

1. Cast aluminum
2. Hot-dip galvanized steel plate
3. Galvanized steel plate finished with one of the following:

- 3.1. Polymeric coating
- 3.2. Same finish used for the housing

Housing must:

- 1. Be corrosion resistant and suitable for wet locations
- 2. Be above the top of the mounting rails at a maximum height of 12 inches
- 3. Have weep holes

Door must:

- 1. Hold a refractor or lens
- 2. Open without the use of special tools
- 3. Have a locking position at 50 degrees minimum from the plane of the door opening
- 4. Be hinged to the housing on the side of the fixture away from the sign panel
- 5. Have 2 captive latch bolts or other latching device

When the door is opened, it must lock in the 50 degrees position when an 85 mph, 3-second wind-gust load strikes the door from either side.

The housing and door must be manufactured of sheet or cast aluminum and have a gray powder coat or polyester paint finish. The sheet aluminum must comply with ASTM B209 or B209M for 5052-H32 aluminum sheet. External bolts, screws, hinges, hinge pins, and door closure devices must be corrosion resistant.

The housing and door must be gasketed. The thickness of the gasket must be a minimum of 1/4 inch.

Reflector must not be attached to the outside of the housing and must be:

- 1. Made of a single piece of aluminum with a specular finish
- 2. Protected with an electrochemically applied anodized finish or a chemically applied silicate film
- 3. Designed to drain condensation away from it
- 4. Secured to the housing with a minimum of 2 screws
- 5. Removable without removing any fixture parts

Refractor or lens must have a smooth exterior and must be manufactured from the materials shown in the following table:

Refractor and Lens Material Requirements	
Component	Material
Flat lens	Heat-resistant glass
Convex lens	Heat-resistant, high-impact-resistant tempered glass
Refractor	Borosilicate heat-resistant glass

The refractor and convex lens must be designed or shielded such that no luminance is visible if the fixture is approached directly from the rear and viewed from below. If a shield is used, it must be an integral part of the door casting.

Lamp must:

- 1. Be an 85 W induction type with a fluorescent, phosphor-coated, interior wall
- 2. Have a minimum 70 percent light output of its original lumen output after 60,000 hours of operation
- 3. Have a minimum color-rendering index of 80
- 4. Be rated at a color temperature of 4,000K
- 5. Be removable with common hand tools

The lamp socket must be rated for 1,500 W and 600 V(ac) and be a porcelain-enclosed mogul type with a shell that contains integral lamp grips to ensure electrical contact under normal vibration conditions. The shell and center contact must be made of nickel-plated brass. The center contact must be spring loaded.

The power coupler must be removable with common hand tools.

High-frequency generator must:

1. Start and operate lamps at an ambient temperature of -25 degrees C or greater for the rated life of the lamp
2. Operate continuously at ambient air temperatures from -25 to 55 degrees C without a reduction in the generator life
3. Have a design life of at least 100,000 hours at 55 degrees C
4. Have an output frequency of 2.65 MHz \pm 10 percent
5. Have radio frequency interference that complies with 47 CFR 18 regulations regarding harmful interference
6. Have a power factor greater than 90 percent and total harmonic distortion less than 10 percent

The high frequency generator must be mounted such that the fixture can be used as a heat sink and be replaceable with common hand tools.

Each fixture must include a barrier-type fuse block for terminating field connections. Fuse block must:

1. Be rated 600 V(ac)
2. Have box terminals
3. Be secured to the housing and accessible without removal of any fixture parts
4. Be mounted to leave a minimum of 1/2 inch of air space from the sidewalls of the housing
5. Be designed for easy removal of fuses with a fuse puller

The fixture's fuses must be 13/32-inch-diameter, 1-1/2-inch-long ferrule type and UL listed or NRTL certified. For a 120 V(ac) fixture, only the ungrounded conductor must be fused and a solid connection must be provided between the grounded conductor and the high frequency generator.

The fixture must be permanently marked with the manufacturer's brand name, trademark, model number, serial number, and date of manufacture on the inside and outside on the housing. The same information must be marked on the package.

If a wire guard is used, it must be made of a minimum 1/4-inch-diameter galvanized steel wire. The wires must be spaced to prevent rocks larger than 1-1/2-inch diameter from passing through the guard. The guard must be either hot-dip galvanized or electroplated zinc-coated as specified in ASTM B633, service condition SC4, with a clear chromate dip treatment.

87-3.03 CONSTRUCTION

Perform the conductor and operational tests for the system.

87-3.04 PAYMENT

Not Used

87-4 SIGNAL AND LIGHTING SYSTEMS

87-4.01 GENERAL

87-4.01A Summary

Section 87-4 includes specifications for constructing signal and lighting systems.

Signal and lighting system includes:

1. Foundations
2. Pull boxes
3. Conduit
4. Conductors
5. Cables
6. Standards
7. Signal heads
8. Internally illuminated street name signs
9. Service equipment enclosure
10. Department-furnished controller assembly
11. Detectors
12. Telephone demarcation cabinet
13. Accessible pedestrian signals
14. Push button assemblies
15. Pedestrian signal heads
16. Luminaires
17. Photoelectric control
18. Fuse splice connectors
19. Battery backup system
20. Flashing beacons
21. Flashing beacon control assembly

The components of a signal and lighting system are shown on the project plans.

87-4.01B Definitions

Reserved

87-4.01C Submittals

Submit shop drawings showing the message for each internally illuminated street sign, including the size of letters, symbols, and arrows.

87-4.01D Quality Assurance

87-4.01D(1) General

Reserved

87-4.01D(2) Quality Control

87-4.01D(2)(a) General

Reserved

87-4.01D(2)(b) Battery Backup System

Notify the Engineer 48 hours before testing the battery backup system.

Test the system in the presence of the Engineer by turning off the power to the signal system at the service equipment enclosure. The signal system must run continuously for 30 minutes. If the battery backup system fails, correct the problem and retest the system for another 30 minutes. After successful completion of the test, turn the power on for the signal system.

87-4.02 MATERIALS

87-4.02A General

Reserved

87-4.02B Battery Backup System

A battery backup system includes the cabinet, batteries, and the Department-furnished electronics assembly.

The electronics assembly includes the inverter/charger unit, power transfer relay, and the battery harness.

87-4.02C Internally Illuminated Street Name Signs

An internally illuminated street name sign includes housing, brackets, sign panels, gaskets, ballast, lampholder, terminal blocks, conductors, and fuses.

An internally illuminated street sign must be designed and constructed to prevent deformation or failure when subjected to an 85 mph, 3-second wind-gust load as specified in the AASHTO publication, "Standard Specifications for Structural Supports of Highway Signs, Luminaires and Traffic Signals."

Sign must:

1. Be Types A or B
2. Have galvanized or cadmium-plated ferrous parts
3. Have screened weep holes
4. Have fasteners, screws, and hardware made of passive stainless steel, Type 302 or 304, or aluminum Type 6060-T6
5. Operate at a temperature from -20 to 74 degrees C

Photoelectric unit sockets are not allowed.

The housing must be constructed to resist torsional twist and warp. The housing must be designed such that opening or removing the panels provides access to the interior of the sign for lamp, ballast, and fuse replacement.

The top and bottom of the sign must be manufactured from formed or extruded aluminum and attached to formed or cast aluminum end fittings. The top, bottom, and end fittings must form a sealed housing.

For a Type A sign, both sides of the sign must be hinged at the top to allow installation or removal of the sign panel.

For a Type B sign, the sign panel must be slide mounted into the housing.

The top of the housing must have 2 free-swinging mounting brackets. Each bracket must be vertically adjustable for leveling the sign to either a straight or curved mast arm. The bracket assembly must allow the lighting fixture to swing perpendicular to the sign panel.

The reflectors must be formed aluminum and have an acrylic, baked-white-enamel surface with a minimum reflectance of 0.85.

Sign panel must be translucent, high-impact-resistant, and made of one of the following plastic materials:

1. Glass-fiber-reinforced, acrylated resin
2. Polycarbonate resin
3. Cellulose acetate butyrate

The sign panel must be designed not to crack or shatter if a 1-inch-diameter steel ball weighing 2.4 ounces is dropped from a height of 8.5 feet above the sign panel to any point on the panel. For this test, the sign panel must be lying in a horizontal position and supported within its frame.

The sign panel's surface must be evenly illuminated. The brightness measurements for the letters must be a minimum of 150 foot-lamberts, average. The letter-to-background brightness ratio must be from 10:1 to 20:1. The background luminance must not vary by more than 40 percent from the average background brightness measurement. The luminance of letters, symbols, and arrows must not vary by more than 20 percent from their average brightness measurement.

The sign panel's white or green color must not fade or darken if exposed to an accelerated test of UV light equivalent to 2 years of outdoor exposure.

The sign panel's legend, symbols, arrows, and border on each face must be white on a green background. The background must comply with color no. 14109 of FED-STD-595.

The message must appear on both sides of the sign and be protected from UV radiation. The letters must be 8-inch upper case and 6-inch lower case, series E.

A Type A sign must have a closed-cell, sponge-neoprene gasket installed between the sign panel frame to prevent the entry of water. The gasket must be uniform and even textured.

The sign ballast must be a high-power-factor type for outdoor operation from 110 to 125 V(ac) and 60 Hz and must comply with ANSI C82.1 and C82.2.

The ballast for a Type A sign must be rated at 200 mA. The ballast for a Type B sign must be rated at 430 mA.

Sign lampholder must:

1. Be the spring-loaded type
2. Have silver-coated contacts and waterproofed entrance leads
3. Have a heat-resistant, circular cross section with a partially recessed neoprene ring

Removal of the lamp from the socket must de-energize the primary of the ballast.

The springs for the lampholders must not be a part of the current-carrying circuit.

The sign's wiring connections must terminate on a molded, phenolic, barrier-type, terminal block rated at 15 A, 1,000 V(ac). The connections must have a white, integral, waterproof marking strip. The terminal screws must not be smaller than a no. 10.

The terminal block must be insulated from the fixture to provide protection from the line-to-ground flashover voltage.

A sectionalized terminal block must have an integral barrier on each side and must allow rigid mounting and alignment.

Fixture's conductors must:

1. Be stranded copper wire with a minimum thermoplastic insulation of 28 mils
2. Be rated at 1,000 V(ac) and for use up to 90 degrees C
3. Be a minimum of no. 16
4. Match the color coding of the ballast leads
5. Be secured with spring cross straps, installed 12 inches apart or less in the chassis or fixture

Stranded copper conductors connected to screw-type terminals must terminate in crimp-type ring connectors.

No splicing is allowed within the fixture.

The sign's fuse must be the Type 3AG, miniature, slow-blow type.

The fuse holder must be a panel-mounting type with a threaded or bayonet knob that grips the fuse tightly for extraction. Each ballast must have a separate fuse.

87-4.03 CONSTRUCTION

87-4.03A General

Set the foundations for standards such that the mast arm is perpendicular to the centerline of the roadway.

Tighten the cap screws of the luminaire's clamping bracket to 10 ft-lb for LED and low-pressure luminaires.

Label the month and year of the installation inside the luminaire housing's door.

Perform the conductor and operational tests for the system.

87-4.03B Battery Backup System Cabinets

Install the battery backup system cabinet to the right of the Model 332L cabinet.

If installation on the right side is not feasible, obtain authorization for installation on the left side.

Provide access for power conductors between the cabinets using:

1. 2" nylon-insulated, steel chase nipple
2. 2" steel sealing locknut
3. 2" nylon-insulated, steel bushing

Remove the jumper between the terminals labeled *BBS-1* and *BBS-2* in the 5 position terminal block in the controller cabinet before connecting the Department-furnished electronics assembly.

87-4.03C Internally Illuminated Street Name Signs

Mount the internally illuminated street name sign to the signal mast arm using the adjustable brackets. Connect the conductors to the terminal blocks in the signal head mounting terminal block.

87-4.04 PAYMENT

Not Used

87-5 RAMP METERING SYSTEMS

87-5.01 GENERAL

Section 87-5 includes specifications for constructing ramp metering systems.

Ramp metering system includes:

1. Foundations
2. Pull boxes
3. Conduit
4. Conductors
5. Standards
6. Signal heads
7. Service equipment enclosure
8. Department-furnished controller assembly
9. Detectors
10. Telephone demarcation cabinet

The components of a ramp metering system are shown on the project plans.

87-5.02 MATERIALS

Not Used

87-5.03 CONSTRUCTION

Connect the field wiring to the terminal blocks in the controller cabinet. The Engineer provides you a list of field conductor terminations for each controller cabinet.

Perform the conductor and operational tests for the system.

87-5.04 PAYMENT

Not Used

87-6 TRAFFIC MONITORING STATION SYSTEMS

87-6.01 GENERAL

Section 87-6 includes specifications for constructing traffic monitoring station systems.

Traffic monitoring station system includes:

1. Foundations
2. Pull boxes
3. Conduit
4. Cables
5. Conductors
6. Service equipment enclosure
7. Controller cabinet
8. Detectors
9. Telephone demarcation cabinet

The components of a traffic monitoring station system are shown on the project plans.

87-6.02 MATERIALS

Not Used

87-6.03 CONSTRUCTION

Connect the field wiring to the terminal blocks in the controller cabinet. The Engineer provides you a list of field conductor terminations for the controller cabinet.

Perform the conductor and operational tests for the system.

87-6.04 PAYMENT

Not Used

87-7 FLASHING BEACON SYSTEMS

87-7.01 GENERAL

Section 87-7 includes specifications for constructing flashing beacon systems.

Flashing beacon system includes:

1. Foundations
2. Pull boxes
3. Conduit
4. Conductors
5. Standards

6. Service equipment enclosure
7. Signal heads
8. Flashing beacon control assembly

The components of a flashing beacon system are shown on the project plans.

The flash rate for the flashing beacon must comply with chapter 4L, "Flashing Beacons," of the *California MUTCD*.

The flashing beacon must allow alternating flashing wig-wag operation.

The flashing beacon must have a separate flasher unit installed in the flashing beacon control assembly.

87-7.02 MATERIALS

Flashing beacon control assembly must:

1. Have a NEMA 3R enclosure with a dead front panel and a hasp with a 7/16-inch hole for a padlock. The enclosure must have one of the following finishes:
 - 1.1. Powder coating.
 - 1.2. Hot-dip galvanized coating.
 - 1.3. Factory-applied, rust-resistant prime coat and finish coat.
2. Have barrier-type terminal blocks rated for 25 A, 600 V(ac), made of molded phenolic or nylon material and have plated-brass screw terminals and integral marking strips.
3. Include a solid state flasher complying with section 8 of NEMA standards publication no. TS 1 for 10 A, dual circuits.

87-7.03 CONSTRUCTION

Perform the conductor and operational tests for the system.

87-7.04 PAYMENT

Not Used

87-8–87-11 RESERVED

87-12 CHANGEABLE MESSAGE SIGN SYSTEMS

87-12.01 GENERAL

Section 87-12 includes specifications for constructing changeable message sign systems.

Changeable message sign system includes:

1. Foundations
2. Pull boxes
3. Conduit
4. Conductors
5. Service equipment enclosure
6. Department-furnished controller cabinet
7. Department-furnished changeable message sign
8. Department-furnished wiring harness
9. Service equipment enclosure
10. Sign disconnect

The components of a changeable message sign system are shown on the project plans.

87-12.02 MATERIALS

Not Used

87-12.03 CONSTRUCTION

Install the changeable message sign.

Connect the field wiring to the terminal blocks in the sign assembly and controller cabinet.

The Engineer provides you a list of field conductor terminations for each sign cabinet and controller cabinet.

The Department maintains the sign assemblies.

87-12.04 PAYMENT

Not Used

87-13–87-17 RESERVED

87-18 INTERCONNECTION CONDUIT AND CABLE

87-18.01 GENERAL

Section 87-18 includes specifications for constructing interconnection conduit and cable.

Interconnection conduit and cable includes:

- 1. Pull boxes
- 2. Conduit
- 3. Signal interconnect cables

The components of an interconnection conduit and cable are shown.

87-18.02 MATERIALS

Not Used

87-18.03 CONSTRUCTION

Test the signal interconnect cable.

Connect the signal interconnect cable to the terminal block in the controller cabinets. The Engineer provides you a list of terminations for each controller cabinet.

87-18.04 PAYMENT

Not Used

87-19 RESERVED

87-20 TEMPORARY ELECTRICAL SYSTEMS

87-20.01 GENERAL

Section 87-20 includes specifications for providing temporary electrical systems.

Obtain the Department's authorization for the type of temporary electrical system and its installation method.

A temporary system must operate on a continuous, 24-hour basis.

87-20.02 MATERIALS

87-20.02A General

Material and equipment may be new or used.

The components of a temporary system are shown on the project plans.

If you use Type UF-B cable, the minimum conductor size must be no. 12.

87-20.02B Temporary Flashing Beacon Systems

A temporary flashing beacon system consists of a flashing beacon system, wood post, generator, and photovoltaic system.

The system must comply with the specifications for a flashing beacon system in section 87-7, except it may be mounted on a wood post or a trailer.

87-20.02C Temporary Lighting Systems

A temporary lighting system consists of a lighting system, generator, and wood poles.

The system must comply with the specifications for a lighting system in section 87-2, except it may be mounted on a wood pole or a trailer.

87-20.02D Temporary Signal Systems

A temporary signal system consists of a signal and lighting system, wood poles and posts, and a generator.

System must comply with the specifications for a signal and lighting system in section 87-4, except:

1. Signal heads may be mounted on a wood pole, mast arm, tether wire, or a trailer
2. Flashing beacons may be mounted on a wood post, or a trailer

87-20.03 CONSTRUCTION

87-20.03A General

Provide electrical and telecommunication services for temporary systems. Do not use existing services unless authorized.

Provide power for the temporary electrical systems under section 12-3.33, except you may use a photovoltaic system for the temporary flashing beacon system.

Install conductors and cables in a conduit, suspended from wood poles at least 25 feet above the roadway, or use direct burial conductors and cables.

You may saw slots across paved areas for burial conductors and cables.

Install conduit outside the paved area at a minimum of 12 inches below grade for Type 1 and 2 conduit and at a minimum of 18 inches below grade for Type 3 conduit.

Install direct burial conductors and cables outside the paved area at a minimum depth of 24 inches below grade.

Place the portions of the conductors installed on the face of wood poles in either Type 1, 2, or 3 conduit between the point 10 feet above grade at the pole and the pull box. The conduit between the pole and the pull box must be buried at a depth of at least 18 inches below grade.

Place conductors across structures in a Type 1, 2, or 3 conduit. Attach the conduit to the outside face of the railing.

Mount the photoelectric unit at the top of the standard or wood post.

You may abandon in place conductors and cables in sawed slots or in conduit installed below the ground surface.

87-20.03B Temporary Flashing Beacon Systems

Install a fused-splice connector in the pull box adjacent to each flashing beacon. Wherever conductors are run overhead, install the splice connector in the line side outside of the control assembly.

87-20.03C Temporary Lighting Systems

Wherever conductors are run overhead, install the fuse splice connectors in the line side before entering the mast arm.

87-20.03D Temporary Signal Systems

You may splice conductors that run to a terminal compartment or a signal head on a pole to the through conductors of the same phase in a pull box adjacent to the pole. Do not splice conductors or cables except in a pull box or in a NEMA 3R enclosure.

The Department provides the timing for the temporary signal.

Maintain the temporary signal except for the Department-furnished controller assembly.

87-20.04 PAYMENT

Not Used

87-21 EXISTING ELECTRICAL SYSTEMS

87-21.01 GENERAL

Section 87-21 includes general specifications for performing work on existing electrical systems.

87-21.02 MATERIALS

Not Used

87-21.03 CONSTRUCTION

87-21.03A General

You may abandon unused underground conduit after pulling out all conductors and removing conduit terminations from the pull boxes.

If standards are to be salvaged, remove:

1. All components
2. Mast arms from the standards
3. Luminaires, signal heads, and signal mounting assemblies from the standards and mast arms

If the existing material is unsatisfactory for reuse and the Engineer orders you to replace it with new material, replacing the existing material with new material is change order work.

If the removed electrical equipment is to be reinstalled, supply all materials and equipment, including signal mounting assemblies, anchor bolts, nuts, washers, and concrete, needed to complete the new installation.

87-21.03B Maintaining Existing Electrical Systems

87-21.03B(1) General

Maintain the existing electrical system in working order during the progress of the work. Conduct your operations to avoid damage to the elements of the systems.

87-21.03B(2) Maintaining Existing Traffic Management System Elements During Construction

Section 87-21.02B(2) applies if a bid item for maintaining existing traffic management system elements during construction is shown on the Bid Item List.

Traffic management system elements include:

90-9 RETURNED PLASTIC CONCRETE

90-9.01 GENERAL

90-9.01A Summary

Section 90-9 includes specifications for incorporating returned plastic concrete (RPC) into concrete.

RPC must be used only where the specifications allow its use. Do not use RPC in pavement or structural concrete.

90-9.01B Definitions

returned plastic concrete (RPC): Excess concrete that is returned to a concrete plant in a plastic state and that has not attained initial set.

hydration stabilizing admixture (HSA): Extended set retarding admixture that controls and predictably reduces the hydration rate of the cementitious material.

90-9.01C Submittals

Submit the following with the weighmaster certificate:

1. Weight or volume of RPC
2. Type, brand, and dosage of HSA
3. Time of adding HSA
4. Copy of the original weighmaster certificate for the RPC
5. Temperature of RPC

When requested, submit the HSA manufacturer's instructions, including dosage tables.

90-9.01D Quality Assurance

The material plant producing concrete containing RPC must be authorized under the MPQP.

For volumetric proportioning of RPC:

1. The volumetric container must be imprinted with manufacturer's name, model number, serial number, the as-calibrated volume and date of the last calibration. Cross sectional dimensions of the container must remain the same as those during its calibration.
2. The device must be re-calibrated monthly and at any time when the container shape has been deformed from its original condition or there is evidence of material build-up on the inside of the device.
3. The device must be held in a level condition during filling. Fill the device to the measure or strike-off line. Each measurement must be filled to within 1.0% of the device as-calibrated volume.
4. The device interior must be cleaned after each measurement to maintain a zero condition.

For weight proportioning, proportion RPC with a weigh hopper attached to the plant at a position which allows the addition of the RPC to the mixer truck with the conventional PCC ingredients. The plant process controller must control the proportioning of RPC to within 1.0% of its target weight.

90-9.02 MATERIALS

90-9.02A General

The quantity of RPC added to the concrete must not exceed 15 percent.

The cementitious material content of the RPC must be at least that specified for the concrete that allows the use of RPC.

Water must not be added to the RPC after batching, including in the truck mixer.

Use HSA for controlling and reducing the hydration rate of RPC.

Incorporate RPC by mixing into the concrete before arriving at the jobsite.

90-9.02B Returned Plastic Concrete

The RPC must not exceed 100 degrees F at any time.

If HSA is not used, RPC must be incorporated into the concrete before attaining initial set or within 4 hours after batching of RPC, whichever is earlier.

If HSA is used:

1. Add HSA to RPC within 4 hours after original batching.
2. Measure and record the time, dosage of HSA, and temperature of RPC when HSA is added.
3. Mix the RPC under the HSA manufacturer's instructions after adding HSA or at least 30 revolutions, whichever is greater.
4. Incorporate RPC into the concrete within 4 hours after adding HSA.

RPC must not contain:

1. Accelerating admixture
2. Fiber
3. Pigment
4. Lightweight aggregate
5. Previously returned RPC
6. Any ingredient incompatible with the resultant concrete

90-9.02C Hydration Stabilizing Admixture

HSA must comply with ASTM C494 admixture Type B or Type D.

HSA must have a proven history of specifically maintaining and extending both plasticity and set.

HSA dosage must comply with the manufacturer's instructions.

90-9.02D Production

Proportion concrete containing RPC under section 90-2.02E.

Proportion RPC by weight or by volume.

90-9.03 CONSTRUCTION

Not Used

90-9.04 PAYMENT

Not Used

^^^^^^^^^^^^^^^^^^^^^^^^^^^^^^^^^^^^^^^^^^^^^^^^^^^^^^^^^^^^^^^^^^^^^^^^^^^^^^^^^^^^

92 ASPHALT BINDERS

04-15-16

04-15-16

Replace the 4th paragraph of section 92-1.02B with:

Crumb rubber modifier used must be on the Authorized Materials List for crumb rubber modifier.

Production equipment for PG modified asphalt binder with crumb rubber modifier must be authorized under the Department's *MPQP*.

Crumb rubber must be derived from waste tires described in Pub Res Code § 42703 and must be free from contaminants including fabric, metal, minerals, and other nonrubber substances.

^^^^^^^^^^^^^^^^^^^^^^^^^^^^^^^^^^^^^^^^^^^^^^^^^^^^^^^^^^^^^^^^^^^^^^^^^^^^^^^^^^^^

96 GEOSYNTHETICS

01-15-16

Replace *product name, manufacturing source, and date of manufacture* in the 2nd sentence of the 1st paragraph of section 96-1.01D with:

01-15-16

manufacturing source code

Airport Road Storm Damage Repair Project
Contract No. PW 18-31120, CIP No 78717

APPENDIX B

FEDERAL WAGE RATES

THIS PAGE INTENTIONALLY LEFT BLANK.

EXHIBIT E – FEDERAL WAGE RATES

General Decision Number: CA180009 03/02/2018 CA9

Superseded General Decision Number: CA20170009

State: California

Construction Types: Building, Heavy (Heavy and Dredging) and Highway

Counties: Alpine, Amador, Butte, Colusa, El Dorado, Glenn, Lassen, Marin, Modoc, Napa, Nevada, Placer, Plumas, Sacramento, Shasta, Sierra, Siskiyou, Solano, Sonoma, Sutter, Tehama, Trinity, Yolo and Yuba Counties in California.

BUILDING CONSTRUCTION PROJECTS (excluding Amador County only); DREDGING CONSTRUCTION PROJECTS (does not include hopper dredge work); HEAVY CONSTRUCTION PROJECTS (does not include water well drilling); AND HIGHWAY CONSTRUCTION PROJECTS

Note: Under Executive Order (EO) 13658, an hourly minimum wage of \$10.35 for calendar year 2018 applies to all contracts subject to the Davis-Bacon Act for which the contract is awarded (and any solicitation was issued) on or after January 1, 2015. If this contract is covered by the EO, the contractor must pay all workers in any classification listed on this wage determination at least \$10.35 per hour (or the applicable wage rate listed on this wage determination, if it is higher) for all hours spent performing on the contract in calendar year 2018. The EO minimum wage rate will be adjusted annually. Please note that this EO applies to the above-mentioned types of contracts entered into by the federal government that are subject to the Davis-Bacon Act itself, but it does not apply to contracts subject only to the Davis-Bacon Related Acts, including those set forth at 29 CFR 5.1(a)(2)-(60). Additional information on contractor requirements and worker protections under the EO is available at www.dol.gov/whd/govcontracts.

Modification Number	Publication Date
0	01/05/2018
1	01/12/2018
2	01/19/2018
3	01/26/2018
4	02/09/2018
5	02/23/2018
6	03/02/2018

ASBE0016-001 08/01/2017

AREA 1: MARIN, NAPA, SAN BENITO, SAN FRANCISCO, SOLANO, & SONOMA COUNTIES

AREA 2: ALPINE, AMADOR, BUTTE, COLUSA, EL DORADO, GLENN, MODOC, NEVADA, PLACER, PLUMAS, SACRAMENTO, SHASTA, SIERRA, SISKIYOU, SUTTER, TEHEMA, TRINITY, YOLO, & YUBA COUNTIES

Rates Fringes

Airport Road Storm Damage Repair Project
PW No. 18-31120, CIP No. 78717
May 15, 2018

County of El Dorado
Agreement
Page AB-1

Asbestos Workers/Insulator
 (Includes the application of
 all insulating materials,
 Protective Coverings,
 Coatings, and Finishes to all
 types of mechanical systems)

Area 1.....	\$ 62.36	23.11
Area 2.....	\$ 49.46	23.11

 ASBE0016-007 01/01/2017

AREA 1 : ALPINE, AMADOR, BUTTE, COLUSA, EL DORADO, GLENN,
 LASSEN, MODOC, NEVADA, PLACER, PLUMAS, SACRAMENTO, SHASTA,
 SIERRA, SISKIYOU, SOLANO, SONOMA, SUTTER, TEHAMA, TRINITY, YOLO
 & YUBA COUNTIES

AREA 2: MARIN & NAPA COUNTIES

	Rates	Fringes
Asbestos Removal worker/hazardous material handler (Includes preparation, wetting, stripping, removal, scrapping, vacuuming, bagging and disposing of all insulation materials from mechanical systems, whether they contain asbestos or not)		
AREA 1.....	\$ 28.20	8.95
AREA 2.....	\$ 32.98	8.95

 BOIL0549-002 10/01/2016

	Rates	Fringes
BOILERMAKER		
(1) Marin & Solano Counties.....	\$ 43.28	37.91
(2) Remaining Counties.....	\$ 39.68	35.71

 BRCA0003-001 08/01/2017

	Rates	Fringes
MARBLE FINISHER.....	\$ 32.60	15.31

 BRCA0003-004 05/01/2017

AREA 1: ALPINE, AMADOR, BUTTE, COLUSA, EL DORADO, GLENN,
 LASSEN, MODOC, NEVADA, PLACER, PLUMAS, SACRAMENTO, SHASTA,
 SIERRA, SUTTER, TEHAMA, YOLO AND YUBA COUNTIES

AREA 2: MARIN, NAPA, SISKIYOU, SOLANO, SONOMA AND TRINITY
 COUNTIES

	Rates	Fringes
BRICKLAYER		
AREA 1.....	\$ 39.66	20.76
AREA 2.....	\$ 42.34	25.83

SPECIALTY PAY:

(A) Underground work such as tunnel work, sewer work, manholes, catch basins, sewer pipes and telephone conduit shall be paid \$1.25 per hour above the regular rate. Work in direct contact with raw sewage shall receive \$1.25 per hour in addition to the above.

(B) Operating a saw or grinder shall receive \$1.25 per hour above the regular rate.

(C) Guniting nozzle person shall receive \$1.25 per hour above the regular rate.

BRCA0003-008 09/01/2017

	Rates	Fringes
TERRAZZO FINISHER.....	\$ 35.14	16.87
TERRAZZO WORKER/SETTER.....	\$ 44.11	26.36

BRCA0003-010 10/01/2017

	Rates	Fringes
TILE FINISHER		
Area 1.....	\$ 25.43	12.77
Area 2.....	\$ 25.28	14.95
Area 3.....	\$ 27.48	14.85
Area 4.....	\$ 25.60	14.30
Tile Layer		
Area 1.....	\$ 42.35	15.43
Area 2.....	\$ 41.05	16.79
Area 3.....	\$ 45.80	16.89
Area 4.....	\$ 42.67	16.81

AREA 1: Butte, Colusa, El Dorado, Glenn, Lassen, Modoc, Nevada, Placer, Plumas, Sacramento, Shasta, Sierra, Sutter, Tehama, Yolo, Yuba
 AREA 2: Alpine, Amador
 AREA 3: Marin, Napa, Solano, Siskiyou
 AREA 4: Sonoma

BRCA0003-014 08/01/2017

	Rates	Fringes
MARBLE MASON.....	\$ 44.60	26.83

CARP0034-001 07/01/2017

	Rates	Fringes
Diver		
Assistant Tender, ROV		
Tender/Technician.....	\$ 45.65	31.91
Diver standby.....	\$ 50.61	31.91
Diver Tender.....	\$ 49.82	31.91
Diver wet.....	\$ 95.17	31.91
Manifold Operator (mixed gas).....	\$ 54.82	31.91
Manifold Operator (Standby).....	\$ 49.82	31.91

DEPTH PAY (Surface Diving):
 050 to 100 ft \$2.00 per foot
 101 to 150 ft \$3.00 per foot
 151 to 220 ft \$4.00 per foot

SATURATION DIVING:

The standby rate shall apply until saturation starts. The saturation diving rate applies when divers are under pressure continuously until work task and decompression are complete. The diver rate shall be paid for all saturation hours.

DIVING IN ENCLOSURES:

Where it is necessary for Divers to enter pipes or tunnels, or other enclosures where there is no vertical ascent, the following premium shall be paid: Distance traveled from entrance 26 feet to 300 feet: \$1.00 per foot. When it is necessary for a diver to enter any pipe, tunnel or other enclosure less than 48" in height, the premium will be \$1.00 per foot.

WORK IN COMBINATION OF CLASSIFICATIONS:

Employees working in any combination of classifications within the diving crew (except dive supervisor) in a shift are paid in the classification with the highest rate for that shift.

 CARP0034-003 07/01/2017

	Rates	Fringes
Piledriver.....	\$ 46.65	31.91

 CARP0035-001 08/01/2017

AREA 1: MARIN, NAPA, SOLANO & SONOMA

AREA 3: SACRAMENTO, WESTERN EL DORADO (Territory west of an including highway 49 and the territory inside the city limits of Placerville), WESTERN PLACER (Territory west of and including highway 49), & YOLO

AREA 4: ALPINE, BUTTE, COLUSA, EASTERN EL DORADO, GLENN, LASSEN, MODOC, NEVADA, EASTERN PLACER, PLUMAS, SHASTA, SIERRA, SISKIYOU, SUTTER, TEHAMA, TRINITY, & YUBA

	Rates	Fringes
Drywall Installers/Lathers:		
Area 1.....	\$ 46.40	29.15
Area 3.....	\$ 41.02	29.15
Area 4.....	\$ 39.67	29.15
Drywall Stocker/Scrapper		
Area 1.....	\$ 23.20	16.88
Area 3.....	\$ 20.51	16.88
Area 4.....	\$ 19.84	16.88

 CARP0035-009 07/01/2017

Marin County

Airport Road Storm Damage Repair Project
PW No. 18-31120, CIP No. 78717
 May 15, 2018

County of El Dorado
Agreement
 Page AB-4

	Rates	Fringes
CARPENTER		
Bridge Builder/Highway Carpenter.....	\$ 46.40	28.71
Hardwood Floorlayer, Shingler, Power Saw Operator, Steel Scaffold & Steel Shoring Erector, Saw Filer.....	\$ 46.55	28.71
Journeyman Carpenter.....	\$ 46.40	28.71
Millwright.....	\$ 46.50	30.30

 CARP0035-010 07/01/2017

AREA 1: Marin, Napa, Solano & Sonoma Counties

AREA 2: Monterey, San Benito and Santa Cruz

AREA 3: Alpine, Butte, Colusa, El Dorado, Glenn, Lassen, Modoc,
 Nevada, Placer, Plumas, Sacramento, Shasta, Sierra, Siskiyou,
 Sutter, Tehama, Trinity, Yolo & Yuba counties

	Rates	Fringes
Modular Furniture Installer		
Area 1		
Installer I.....	\$ 24.91	19.63
Installer II.....	\$ 22.18	20.42
Lead Installer.....	\$ 29.06	20.92
Master Installer.....	\$ 33.28	20.92
Area 2		
Installer I.....	\$ 22.96	20.42
Installer II.....	\$ 20.01	20.42
Lead Installer.....	\$ 25.93	20.92
Master Installer.....	\$ 29.56	20.92
Area 3		
Installer I.....	\$ 22.01	20.42
Installer II.....	\$ 19.24	20.42
Lead Installer.....	\$ 24.81	20.92
Master Installer.....	\$ 31.83	20.92

 CARP0046-001 07/01/2017

El Dorado (West), Placer (West), Sacramento and Yolo Counties

	Rates	Fringes
Carpenters		
Bridge Builder/Highway Carpenter.....	\$ 46.40	28.71
Hardwood Floorlayer, Shingler, Power Saw Operator, Steel Scaffold & Steel Shoring Erector, Saw Filer.....	\$ 40.67	28.71
Journeyman Carpenter.....	\$ 40.52	28.71
Millwright.....	\$ 43.02	30.30

Footnote: Placer County (West) includes territory West of and including Highway 49 and El Dorado County (West) includes territory West of and including Highway 49 and territory

inside the city limits of Placerville.

CARP0046-002 07/01/2017

Alpine, Colusa, El Dorado (East), Nevada, Placer (East),
Sierra, Sutter and Yuba Counties

	Rates	Fringes
Carpenters		
Bridge Builder/Highway Carpenter.....	\$ 46.40	28.71
Hardwood Floorlayer, Shingler, Power Saw Operator, Steel Scaffold & Steel Shoring Erector, Saw Filer.....	\$ 39.32	28.71
Journeyman Carpenter.....	\$ 38.17	28.71
Millwright.....	\$ 41.67	30.30

CARP0152-003 07/01/2017

Amador County

	Rates	Fringes
Carpenters		
Bridge Builder/Highway Carpenter.....	\$ 46.40	28.71
Hardwood Floorlayer, Shingler, Power Saw Operator, Steel Scaffold & Steel Shoring Erector, Saw Filer.....	\$ 39.32	28.71
Journeyman Carpenter.....	\$ 39.17	28.71
Millwright.....	\$ 41.67	30.30

CARP0180-001 07/01/2017

Solano County

	Rates	Fringes
Carpenters		
Bridge Builder/Highway Carpenter.....	\$ 46.40	28.71
Hardwood Floorlayer, Shingler, Power Saw Operator, Steel Scaffold & Steel Shoring Erector, Saw Filer.....	\$ 46.55	28.71
Journeyman Carpenter.....	\$ 46.40	28.71
Millwright.....	\$ 46.50	30.30

CARP0751-001 07/01/2017

Napa and Sonoma Counties

	Rates	Fringes
Carpenters		

Airport Road Storm Damage Repair Project
PW No. 18-31120, CIP No. 78717
May 15, 2018

County of El Dorado
Agreement
Page AB-6

Bridge Builder/Highway Carpenter.....	\$ 46.40	28.71
Hardwood Floorlayer, Shingler, Power Saw Operator, Steel Scaffold & Steel Shoring Erector, Saw Filer.....	\$ 46.55	28.71
Journeyman Carpenter.....	\$ 46.40	28.71
Millwright.....	\$ 46.50	30.30

 CARP1599-001 07/01/2017

Butte, Glenn, Lassen, Modoc, Plumas, Shasta, Siskiyou, Tehama
 and Trinity Counties

	Rates	Fringes
Carpenters		
Bridge Builder/Highway Carpenter.....	\$ 46.40	28.71
Hardwood Floorlayer, Shingler, Power Saw Operator, Steel Scaffold & Steel Shoring Erector, Saw Filer.....	\$ 39.32	28.71
Journeyman Carpenter.....	\$ 39.17	28.71
Millwright.....	\$ 41.67	30.30

 ELEC0180-001 06/01/2017

NAPA AND SOLANO COUNTIES

	Rates	Fringes
CABLE SPLICER.....	\$ 50.97	3%+20.13
ELECTRICIAN.....	\$ 47.31	23.05

 ELEC0180-003 12/01/2016

NAPA AND SOLANO COUNTIES

	Rates	Fringes
Sound & Communications		
Installer.....	\$ 35.07	3%+17.55
Technician.....	\$ 39.93	3%+17.55

SCOPE OF WORK INCLUDES-
 SOUND & VOICE TRANSMISSION (Music, Intercom, Nurse Call,
 Telephone); FIRE ALARM SYSTEMS [excluding fire alarm work
 when installed in raceways (including wire and cable
 pulling) and when performed on new or major remodel
 building projects or jobs],
 TELEVISION & VIDEO SYSTEMS, SECURITY SYSTEMS, COMMUNICATIONS
 SYSTEMS that transmit or receive information and/or control
 systems that are intrinsic to the above.

EXCLUDES-
 Excludes all other data systems or multiple systems which
 include control function or power supply; excludes
 installation of raceway systems, line voltage work,
 industrial work, life-safety systems (all buildings having

floors located more than 75' above the lowest floor level having building access); excludes energy management systems.

 * ELEC0340-002 02/01/2018

ALPINE, AMADOR, BUTTE, COLUSA, EL DORADO, GLENN, LASSEN, NEVADA, PLACER, PLUMAS, SACRAMENTO, TRINITY, YOLO, YUBA COUNTIES

	Rates	Fringes
Communications System		
Sound & Communications		
Installer.....	\$ 29.35	3%+15.35
Sound & Communications		
Technician.....	\$ 33.75	3%+15.35

SCOPE OF WORK

Includes the installation testing, service and maintenance, of the following systems which utilize the transmission and/or transference of voice, sound, vision and digital for commercial, education, security and entertainment purposes for the following TV monitoring and surveillance, background-foreground music, intercom and telephone interconnect, inventory control systems, microwave transmission, multi-media, multiplex, nurse call system, radio page, school intercom and sound, burglar alarms, and low voltage master clock systems.

A. SOUND AND VOICE TRANSMISSION/TRANSFERENCE SYSTEMS

Background foreground music Intercom and telephone interconnect systems, Telephone systems, Nurse call systems, Radio page systems, School intercom and sound systems, Burglar alarm systems, Low voltage master clock systems, Multi-media/multiplex systems, Sound and musical entertainment systems, RF systems, Antennas and Wave Guide.

B. FIRE ALARM SYSTEMS

Installation, wire pulling and testing

C. TELEVISION AND VIDEO SYSTEMS Television monitoring and surveillance systems, Video security systems, Video entertainment systems, Video educational systems, Microwave transmission systems, CATV and CCTV

D. SECURITY SYSTEMS Perimeter security systems
 Vibration sensor systems Card access systems Access control systems Sonar/infrared monitoring equipment

E. COMMUNICATIONS SYSTEMS THAT TRANSMIT OR RECEIVE INFORMATION AND/OR CONTROL SYSTEMS THAT ARE INTRINSIC TO THE ABOVE LISTED SYSTEMS SCADA (Supervisory Control and Data Acquisition) PCM (Pulse Code Modulation)
 Inventory Control Systems Digital Data Systems
 Broadband and Baseband and Carriers Point of Sale Systems VSAT Data Systems Data Communication Systems RF and Remote Control Systems Fiber Optic Data Systems
 WORK EXCLUDED Raceway systems are not covered (excluding Ladder-Rack for the purpose of the above listed systems). Chases and/or nipples (not to exceed 10 feet)

may be installed on open wiring systems. Energy management systems. SCADA (Supervisory Control and Data Acquisition) when not intrinsic to the above listed systems (in the scope). Fire alarm systems when installed in raceways (including wire and cable pulling) shall be performed at the electrician wage rate, when either of the following two (2) conditions apply:

1. The project involves new or major remodel building trades construction.
2. The conductors for the fire alarm system are installed in conduit.

 ELEC0340-003 08/01/2017

ALPINE (West of Sierra Mt. Watershed), AMADOR, BUTTE, COLUSA, EL DORADO (West of Sierra Mt. Watershed), GLENN, LASSEN, NEVADA (West of Sierra Mt. Watershed), PLACER, PLUMAS, SACRAMENTO, SHASTA, SIERRA (West of Sierra Mt. Watershed), SUTTER, TEHAMA, TRINITY, YOLO & YUBA COUNTIES

	Rates	Fringes
ELECTRICIAN		
Remaining area.....	\$ 40.06	27.04
Sierra Army Depot, Herlong..	\$ 48.83	18.54
Tunnel work.....	\$ 41.01	18.54

CABLE SPLICER: Receives 110% of the Electrician basic hourly rate.

 ELEC0401-005 07/01/2016

ALPINE (east of the main watershed divide), EL DORADO (east of the main watershed divide), NEVADA (east of the main watershed), PLACER (east of the main watershed divide) and SIERRA (east of the main watershed divide) COUNTIES:

	Rates	Fringes
ELECTRICIAN.....	\$ 38.50	16.82

 ELEC0551-004 06/01/2017

MARIN AND SONOMA COUNTIES

	Rates	Fringes
ELECTRICIAN.....	\$ 47.40	21.60

 ELEC0551-005 12/01/2016

MARIN & SONOMA COUNTIES

	Rates	Fringes
Sound & Communications		
Installer.....	\$ 35.07	18.91
Technician.....	\$ 39.33	19.04

SCOPE OF WORK INCLUDES-

SOUND & VOICE TRANSMISSION (Music, Intercom, Nurse Call, Telephone); FIRE ALARM SYSTEMS [excluding fire alarm work when installed in raceways (including wire and cable pulling) and when performed on new or major remodel building projects or jobs], TELEVISION & VIDEO SYSTEMS, SECURITY SYSTEMS, COMMUNICATIONS SYSTEMS that transmit or receive information and/or control systems that are intrinsic to the above.

EXCLUDES-

Excludes all other data systems or multiple systems which include control function or power supply; excludes installation of raceway systems, line voltage work, industrial work, life-safety systems (all buildings having floors located more than 75' above the lowest floor level having building access); excludes energy management systems.

 ELEC0659-006 07/01/2017

DEL NORTE, MODOC and SISKIYOU COUNTIES

	Rates	Fringes
ELECTRICIAN.....	\$ 32.69	16.72

 ELEC0659-008 02/01/2013

DEL NORTE, MODOC & SISKIYOU COUNTIES

	Rates	Fringes
Line Construction		
(1) Cable Splicer.....	\$ 51.09	4%+13.30
(2) Lineman, Pole Sprayer, Heavy Line Equipment Man....	\$ 45.62	4%+13.30
(3) Tree Trimmer.....	\$ 32.07	4%+9.80
(4) Line Equipment Man.....	\$ 45.62	4%+9.80
(5) Powdermen, Jackhammermen.....	\$ 34.22	4%+9.80
(6) Groundman.....	\$ 31.31	4%+9.80

 ELEC1245-004 06/01/2017

ALL COUNTIES EXCEPT DEL NORTE, MODOC & SISKIYOU

	Rates	Fringes
LINE CONSTRUCTION		
(1) Lineman; Cable splicer..	\$ 55.49	16.62
(2) Equipment specialist (operates crawler tractors, commercial motor vehicles, backhoes, trenchers, cranes (50 tons and below), overhead & underground distribution line equipment).....	\$ 44.32	3%+17.65
(3) Groundman.....	\$ 33.89	3%+17.65
(4) Powderman.....	\$ 49.55	3%+17.65

HOLIDAYS: New Year's Day, M.L. King Day, Memorial Day, Independence Day, Labor Day, Veterans Day, Thanksgiving Day and day after Thanksgiving, Christmas Day

 ELEV0008-001 01/01/2018

	Rates	Fringes
ELEVATOR MECHANIC.....	\$ 65.45	32.645

FOOTNOTE:

PAID VACATION: Employer contributes 8% of regular hourly rate as vacation pay credit for employees with more than 5 years of service, and 6% for 6 months to 5 years of service.
 PAID HOLIDAYS: New Years Day, Memorial Day, Independence Day, Labor Day, Veterans Day, Thanksgiving Day, Friday after Thanksgiving, and Christmas Day.

 ENGI0003-008 07/01/2017

	Rates	Fringes
Dredging: (DREDGING: CLAMSHELL & DIPPER DREDGING; HYDRAULIC SUCTION DREDGING:)		
AREA 1:		
(1) Leverman.....	\$ 44.77	31.25
(2) Dredge Dozer; Heavy duty repairman.....	\$ 39.81	31.25
(3) Booster Pump Operator; Deck Engineer; Deck mate; Dredge Tender; Winch Operator.....	\$ 38.69	31.25
(4) Bargeman; Deckhand; Fireman; Leveehand; Oiler..	\$ 35.39	31.25
AREA 2:		
(1) Leverman.....	\$ 46.77	31.25
(2) Dredge Dozer; Heavy duty repairman.....	\$ 41.81	31.25
(3) Booster Pump Operator; Deck Engineer; Deck mate; Dredge Tender; Winch Operator.....	\$ 40.69	31.25
(4) Bargeman; Deckhand; Fireman; Leveehand; Oiler..	\$ 37.39	31.25

AREA DESCRIPTIONS

AREA 1: ALAMEDA, BUTTE, CONTRA COSTA, KINGS, MARIN, MERCED, NAPA, SACRAMENTO, SAN BENITO, SAN FRANCISCO, SAN JOAQUIN, SAN MATEO, SANTA CLARA, SANTA CRUZ, SOLANO, STANISLAUS, SUTTER, YOLO, AND YUBA COUNTIES

AREA 2: MODOC COUNTY

THE REMAINING COUNTIES ARE SPLIT BETWEEN AREA 1 AND AREA 2 AS NOTED BELOW:

ALPINE COUNTY:

Airport Road Storm Damage Repair Project
PW No. 18-31120, CIP No. 78717
 May 15, 2018

County of El Dorado
Agreement
 Page AB-11

Area 1: Northernmost part
Area 2: Remainder

CALAVERAS COUNTY:
Area 1: Remainder
Area 2: Eastern part

COLUSA COUNTY:
Area 1: Eastern part
Area 2: Remainder

ELDORADO COUNTY:
Area 1: North Central part
Area 2: Remainder

FRESNO COUNTY:
Area 1: Remainder
Area 2: Eastern part

GLENN COUNTY:
Area 1: Eastern part
Area 2: Remainder

LASSEN COUNTY:
Area 1: Western part along the Southern portion of border
with Shasta County
Area 2: Remainder

MADERA COUNTY:
Area 1: Except Eastern part
Area 2: Eastern part

MARIPOSA COUNTY
Area 1: Except Eastern part
Area 2: Eastern part

MONTERREY COUNTY
Area 1: Except Southwestern part
Area 2: Southwestern part

NEVADA COUNTY:
Area 1: All but the Northern portion along the border of
Sierra County
Area 2: Remainder

PLACER COUNTY:
Area 1: All but the Central portion
Area 2: Remainder

PLUMAS COUNTY:
Area 1: Western portion
Area 2: Remainder

SHASTA COUNTY:
Area 1: All but the Northeastern corner
Area 2: Remainder

SIERRA COUNTY:
Area 1: Western part
Area 2: Remainder

SISKIYOU COUNTY:
Area 1: Central part

Area 2: Remainder

SONOMA COUNTY:

Area 1: All but the Northwestern corner

Area 2: Remainder

TEHAMA COUNTY:

Area 1: All but the Western border with Mendocino & Trinity Counties

Area 2: Remainder

TRINITY COUNTY:

Area 1: East Central part and the Northeastern border with Shasta County

Area 2: Remainder

TUOLUMNE COUNTY:

Area 1: Except Eastern part

Area 2: Eastern part

ENGI0003-018 06/26/2017

"AREA 1" WAGE RATES ARE LISTED BELOW

"AREA 2" RECEIVES AN ADDITIONAL \$2.00 PER HOUR ABOVE AREA 1 RATES.

SEE AREA DEFINITIONS BELOW

	Rates	Fringes
OPERATOR: Power Equipment		
(AREA 1:)		
GROUP 1.....	\$ 44.67	30.39
GROUP 2.....	\$ 43.14	30.39
GROUP 3.....	\$ 41.66	30.39
GROUP 4.....	\$ 40.28	30.39
GROUP 5.....	\$ 39.01	30.39
GROUP 6.....	\$ 37.69	30.39
GROUP 7.....	\$ 36.55	30.39
GROUP 8.....	\$ 35.41	30.39
GROUP 8-A.....	\$ 33.20	30.39
OPERATOR: Power Equipment		
(Cranes and Attachments -		
AREA 1:)		
GROUP 1		
Cranes.....	\$ 46.30	30.39
Oiler.....	\$ 36.63	30.39
Truck crane oiler.....	\$ 39.20	30.39
GROUP 2		
Cranes.....	\$ 43.79	30.39
Oiler.....	\$ 36.36	30.39
Truck crane oiler.....	\$ 38.98	30.39
GROUP 3		
Cranes.....	\$ 42.05	30.39
Hydraulic.....	\$ 38.32	30.39
Oiler.....	\$ 36.14	30.39
Truck Crane Oiler.....	\$ 38.71	30.39
GROUP 4		
Cranes.....	\$ 39.01	30.39
OPERATOR: Power Equipment		

(Piledriving - AREA 1:)		
GROUP 1		
Lifting devices.....	\$ 45.89	30.39
Oiler.....	\$ 36.63	30.39
Truck crane oiler.....	\$ 39.20	30.39
GROUP 2		
Lifting devices.....	\$ 44.07	30.39
Oiler.....	\$ 36.36	30.39
Truck Crane Oiler.....	\$ 38.98	30.39
GROUP 3		
Lifting devices.....	\$ 42.39	30.39
Oiler.....	\$ 36.14	30.39
Truck Crane Oiler.....	\$ 38.71	30.39
GROUP 4		
Lifting devices.....	\$ 40.62	30.39
GROUP 5		
Lifting devices.....	\$ 39.32	30.39
GROUP 6		
Lifting devices.....	\$ 37.98	30.39
OPERATOR: Power Equipment		
(Steel Erection - AREA 1:)		
GROUP 1		
Cranes.....	\$ 46.30	30.39
Oiler.....	\$ 36.63	30.39
Truck Crane Oiler.....	\$ 39.20	30.39
GROUP 2		
Cranes.....	\$ 43.79	30.39
Oiler.....	\$ 36.36	30.39
Truck Crane Oiler.....	\$ 38.98	30.39
GROUP 3		
Cranes.....	\$ 42.05	30.39
Hydraulic.....	\$ 38.32	30.39
Oiler.....	\$ 36.14	30.39
Truck Crane Oiler.....	\$ 38.71	30.39
GROUP 4		
Cranes.....	\$ 39.01	30.39
GROUP 5		
Cranes.....	\$ 35.13	30.39
OPERATOR: Power Equipment		
(Tunnel and Underground Work		
- AREA 1:)		
SHAFTS, STOPES, RAISES:		
GROUP 1.....	\$ 40.77	30.39
GROUP 1-A.....	\$ 43.24	30.39
GROUP 2.....	\$ 39.51	30.39
GROUP 3.....	\$ 38.18	30.39
GROUP 4.....	\$ 37.04	30.39
GROUP 5.....	\$ 35.90	30.39
UNDERGROUND:		
GROUP 1.....	\$ 40.67	30.39
GROUP 1-A.....	\$ 43.14	30.39
GROUP 2.....	\$ 39.41	30.39
GROUP 3.....	\$ 38.08	30.39
GROUP 4.....	\$ 36.94	30.39
GROUP 5.....	\$ 35.80	30.39

FOOTNOTE: Work suspended by ropes or cables, or work on a Yo-Yo Cat: \$.60 per hour additional.

POWER EQUIPMENT OPERATOR CLASSIFICATIONS

GROUP 1: Operator of helicopter (when used in erection work);

Hydraulic excavator, 7 cu. yds. and over; Power shovels, over 7 cu. yds.

GROUP 2: Highline cableway; Hydraulic excavator, 3-1/2 cu. yds. up to 7 cu. yds.; Licensed construction work boat operator, on site; Power blade operator (finish); Power shovels, over 1 cu. yd. up to and including 7 cu. yds. m.r.c.

GROUP 3: Asphalt milling machine; Cable backhoe; Combination backhoe and loader over 3/4 cu. yds.; Continuous flight tie back machine assistant to engineer or mechanic; Crane mounted continuous flight tie back machine, tonnage to apply; Crane mounted drill attachment, tonnage to apply; Dozer, slope brd; Gradall; Hydraulic excavator, up to 3 1/2 cu. yds.; Loader 4 cu. yds. and over; Long reach excavator; Multiple engine scraper (when used as push pull); Power shovels, up to and including 1 cu. yd.; Pre-stress wire wrapping machine; Side boom cat, 572 or larger; Track loader 4 cu. yds. and over; Wheel excavator (up to and including 750 cu. yds. per hour)

GROUP 4: Asphalt plant engineer/box person; Chicago boom; Combination backhoe and loader up to and including 3/4 cu. yd.; Concrete batch plant (wet or dry); Dozer and/or push cat; Pull-type elevating loader; Gradesetter, grade checker (GPS, mechanical or otherwise); Grooving and grinding machine; Heading shield operator; Heavy-duty drilling equipment, Hughes, LDH, Watson 3000 or similar; Heavy-duty repairperson and/or welder; Lime spreader; Loader under 4 cu. yds.; Lubrication and service engineer (mobile and grease rack); Mechanical finishers or spreader machine (asphalt, Barber-Greene and similar); Miller Formless M-9000 slope paver or similar; Portable crushing and screening plants; Power blade support; Roller operator, asphalt; Rubber-tired scraper, self-loading (paddle-wheels, etc.); Rubber-tired earthmoving equipment (scrapers); Slip form paver (concrete); Small tractor with drag; Soil stabilizer (P & H or equal); Spider plow and spider puller; Tubex pile rig; Unlicensed construction work boat operator, on site; Timber skidder; Track loader up to 4 yds.; Tractor-drawn scraper; Tractor, compressor drill combination; Welder; Woods-Mixer (and other similar Pugmill equipment)

GROUP 5: Cast-in-place pipe laying machine; Combination slusher and motor operator; Concrete conveyor or concrete pump, truck or equipment mounted; Concrete conveyor, building site; Concrete pump or pumpcrete gun; Drilling equipment, Watson 2000, Texoma 700 or similar; Drilling and boring machinery, horizontal (not to apply to waterliners, wagon drills or jackhammers); Concrete mixer/all; Person and/or material hoist; Mechanical finishers (concrete) (Clary, Johnson, Bidwell Bridge Deck or similar types); Mechanical burm, curb and/or curb and gutter machine, concrete or asphalt; Mine or shaft hoist; Portable crusher; Power jumbo operator (setting slip-forms, etc., in tunnels); Screed (automatic or manual); Self-propelled compactor with dozer; Tractor with boom D6 or smaller; Trenching machine, maximum digging capacity over 5 ft. depth; Vermeer T-600B rock cutter or similar

GROUP 6: Armor-Coater (or similar); Ballast jack tamper;

Boom- type backfilling machine; Assistant plant engineer; Bridge and/or gantry crane; Chemical grouting machine, truck-mounted; Chip spreading machine operator; Concrete saw (self-propelled unit on streets, highways, airports and canals); Deck engineer; Drilling equipment Texoma 600, Hughes 200 Series or similar up to and including 30 ft. m.r.c.; Drill doctor; Helicopter radio operator; Hydro-hammer or similar; Line master; Skidsteer loader, Bobcat larger than 743 series or similar (with attachments); Locomotive; Lull hi-lift or similar; Oiler, truck mounted equipment; Pavement breaker, truck-mounted, with compressor combination; Paving fabric installation and/or laying machine; Pipe bending machine (pipelines only); Pipe wrapping machine (tractor propelled and supported); Screed (except asphaltic concrete paving); Self-propelled pipeline wrapping machine; Tractor; Self-loading chipper; Concrete barrier moving machine

GROUP 7: Ballast regulator; Boom truck or dual-purpose A-frame truck, non-rotating - under 15 tons; Cary lift or similar; Combination slurry mixer and/or cleaner; Drilling equipment, 20 ft. and under m.r.c.; Firetender (hot plant); Grouting machine operator; Highline cableway signalperson; Stationary belt loader (Kolman or similar); Lift slab machine (Vagtborg and similar types); Maginnes internal full slab vibrator; Material hoist (1 drum); Mechanical trench shield; Pavement breaker with or without compressor combination); Pipe cleaning machine (tractor propelled and supported); Post driver; Roller (except asphalt); Chip Seal; Self-propelled automatically applied concrete curing machine (on streets, highways, airports and canals); Self-propelled compactor (without dozer); Signalperson; Slip-form pumps (lifting device for concrete forms); Tie spacer; Tower mobile; Trenching machine, maximum digging capacity up to and including 5 ft. depth; Truck- type loader

GROUP 8: Bit sharpener; Boiler tender; Box operator; Brakeperson; Combination mixer and compressor (shotcrete/gunite); Compressor operator; Deckhand; Fire tender; Forklift (under 20 ft.); Generator; Gunite/shotcrete equipment operator; Hydraulic monitor; Ken seal machine (or similar); Mixermobile; Oiler; Pump operator; Refrigeration plant; Reservoir-debris tug (self-propelled floating); Ross Carrier (construction site); Rotomist operator; Self-propelled tape machine; Shuttlecar; Self-propelled power sweeper operator (includes vacuum sweeper); Slusher operator; Surface heater; Switchperson; Tar pot firetender; Tugger hoist, single drum; Vacuum cooling plant; Welding machine (powered other than by electricity)

GROUP 8-A: Elevator operator; Skidsteer loader-Bobcat 743 series or smaller, and similar (without attachments); Mini excavator under 25 H.P. (backhoe-trencher); Tub grinder wood chipper

ALL CRANES AND ATTACHMENTS

GROUP 1: Clamshell and dragline over 7 cu. yds.; Crane, over 100 tons; Derrick, over 100 tons; Derrick barge pedestal-mounted, over 100 tons; Self-propelled boom-type

lifting device, over 100 tons

GROUP 2: Clamshell and dragline over 1 cu. yd. up to and including 7 cu. yds.; Crane, over 45 tons up to and including 100 tons; Derrick barge, 100 tons and under; Self-propelled boom-type lifting device, over 45 tons; Tower crane

GROUP 3: Clamshell and dragline up to and including 1 cu. yd.; Cranes 45 tons and under; Self-propelled boom-type lifting device 45 tons and under;

GROUP 4: Boom Truck or dual purpose A-frame truck, non-rotating over 15 tons; Truck-mounted rotating telescopic boom type lifting device, Manitex or similar (boom truck) over 15 tons; Truck-mounted rotating telescopic boom type lifting device, Manitex or similar (boom truck) - under 15 tons;

PILEDRIVERS

GROUP 1: Derrick barge pedestal mounted over 100 tons; Clamshell over 7 cu. yds.; Self-propelled boom-type lifting device over 100 tons; Truck crane or crawler, land or barge mounted over 100 tons

GROUP 2: Derrick barge pedestal mounted 45 tons to and including 100 tons; Clamshell up to and including 7 cu. yds.; Self-propelled boom-type lifting device over 45 tons; Truck crane or crawler, land or barge mounted, over 45 tons up to and including 100 tons; Fundex F-12 hydraulic pile rig

GROUP 3: Derrick barge pedestal mounted under 45 tons; Self-propelled boom-type lifting device 45 tons and under; Skid/scow piledriver, any tonnage; Truck crane or crawler, land or barge mounted 45 tons and under

GROUP 4: Assistant operator in lieu of assistant to engineer; Forklift, 10 tons and over; Heavy-duty repairperson/welder

GROUP 5: Deck engineer

GROUP 6: Deckhand; Fire tender

STEEL ERECTORS

GROUP 1: Crane over 100 tons; Derrick over 100 tons; Self-propelled boom-type lifting device over 100 tons

GROUP 2: Crane over 45 tons to 100 tons; Derrick under 100 tons; Self-propelled boom-type lifting device over 45 tons to 100 tons; Tower crane

GROUP 3: Crane, 45 tons and under; Self-propelled boom-type lifting device, 45 tons and under

GROUP 4: Chicago boom; Forklift, 10 tons and over; Heavy-duty repair person/welder

GROUP 5: Boom cat

--

TUNNEL AND UNDERGROUND WORK

GROUP 1-A: Tunnel bore machine operator, 20' diameter or more

GROUP 1: Heading shield operator; Heavy-duty repairperson; Mucking machine (rubber tired, rail or track type); Raised bore operator (tunnels); Tunnel mole bore operator

GROUP 2: Combination slusher and motor operator; Concrete pump or pumpcrete gun; Power jumbo operator

GROUP 3: Drill doctor; Mine or shaft hoist

GROUP 4: Combination slurry mixer cleaner; Grouting Machine operator; Motorman

GROUP 5: Bit Sharpener; Brakeman; Combination mixer and compressor (gunite); Compressor operator; Oiler; Pump operator; Slusher operator

AREA DESCRIPTIONS:

POWER EQUIPMENT OPERATORS, CRANES AND ATTACHMENTS, TUNNEL AND UNDERGROUND [These areas do not apply to Piledrivers and Steel Erectors]

AREA 1: ALAMEDA, BUTTE, CONTRA COSTA, KINGS, MARIN, MERCED, NAPA, SACRAMENTO, SAN BENITO, SAN FRANCISCO, SAN JOAQUIN, SAN MATEO, SANTA CLARA, SANTA CRUZ, SOLANO, STANISLAUS, SUTTER, YOLO, AND YUBA COUNTIES

AREA 2 - MODOC COUNTY

THE REMAINING COUNTIES ARE SPLIT BETWEEN AREA 1 AND AREA 2 AS NOTED BELOW:

ALPINE COUNTY:

Area 1: Northernmost part
Area 2: Remainder

CALAVERAS COUNTY:

Area 1: Except Eastern part
Area 2: Eastern part

COLUSA COUNTY:

Area 1: Eastern part
Area 2: Remainder

DEL NORTE COUNTY:

Area 1: Extreme Southwestern corner
Area 2: Remainder

ELDORADO COUNTY:

Area 1: North Central part
Area 2: Remainder

FRESNO COUNTY

Area 1: Except Eastern part

Area 2: Eastern part

GLENN COUNTY:

Area 1: Eastern part

Area 2: Remainder

HUMBOLDT COUNTY:

Area 1: Except Eastern and Southwestern parts

Area 2: Remainder

LAKE COUNTY:

Area 1: Southern part

Area 2: Remainder

LASSEN COUNTY:

Area 1: Western part along the Southern portion of border
with Shasta County

Area 2: Remainder

MADERA COUNTY

Area 1: Remainder

Area 2: Eastern part

MARIPOSA COUNTY

Area 1: Remainder

Area 2: Eastern part

MENDOCINO COUNTY:

Area 1: Central and Southeastern parts

Area 2: Remainder

MONTEREY COUNTY

Area 1: Remainder

Area 2: Southwestern part

NEVADA COUNTY:

Area 1: All but the Northern portion along the border of
Sierra County

Area 2: Remainder

PLACER COUNTY:

Area 1: All but the Central portion

Area 2: Remainder

PLUMAS COUNTY:

Area 1: Western portion

Area 2: Remainder

SHASTA COUNTY:

Area 1: All but the Northeastern corner

Area 2: Remainder

SIERRA COUNTY:

Area 1: Western part

Area 2: Remainder

SISKIYOU COUNTY:

Area 1: Central part

Area 2: Remainder

SONOMA COUNTY:

Airport Road Storm Damage Repair Project

PW No. 18-31120, CIP No. 78717

May 15, 2018

County of El Dorado

Agreement

Page AB-19

Area 1: All but the Northwestern corner
 Area 2: Reaminder

TEHAMA COUNTY:

Area 1: All but the Western border with mendocino & Trinity
 Counties
 Area 2: Remainder

TRINITY COUNTY:

Area 1: East Central part and the Northeaster border with
 Shasta County
 Area 2: Remainder

TULARE COUNTY;

Area 1: Remainder
 Area 2: Eastern part

TUOLUMNE COUNTY:

Area 1: Remainder
 Area 2: Eastern Part

 ENGI0003-019 07/26/2017

SEE AREA DESCRIPTIONS BELOW

	Rates	Fringes
OPERATOR: Power Equipment		
(LANDSCAPE WORK ONLY)		
GROUP 1		
AREA 1.....	\$ 34.05	28.73
AREA 2.....	\$ 36.05	28.73
GROUP 2		
AREA 1.....	\$ 30.45	28.73
AREA 2.....	\$ 32.45	28.73
GROUP 3		
AREA 1.....	\$ 25.84	28.73
AREA 2.....	\$ 27.84	28.73

GROUP DESCRIPTIONS:

GROUP 1: Landscape Finish Grade Operator: All finish grade work regardless of equipment used, and all equipment with a rating more than 65 HP.

GROUP 2: Landscape Operator up to 65 HP: All equipment with a manufacturer's rating of 65 HP or less except equipment covered by Group 1 or Group 3. The following equipment shall be included except when used for finish work as long as manufacturer's rating is 65 HP or less: A-Frame and Winch Truck, Backhoe, Forklift, Hydragraphic Seeder Machine, Roller, Rubber-Tired and Track Earthmoving Equipment, Skiploader, Straw Blowers, and Trencher 31 HP up to 65 HP.

GROUP 3: Landscae Utility Operator: Small Rubber-Tired Tractor, Trencher Under 31 HP.

AREA DESCRIPTIONS:

AREA 1: ALAMEDA, BUTTE, CONTRA COSTA, KINGS, MARIN, MERCED, NAPA, SACRAMENTO, SAN BENITO, SAN FRANCISCO, SAN JOAQUIN,

SAN MATEO, SANTA CLARA, SANTA CRUZ, SOLANO, STANISLAUS,
SUTTER, YOLO, AND YUBA COUNTIES

AREA 2 - MODOC COUNTY

THE REMAINING COUNTIES ARE SPLIT BETWEEN AREA 1 AND AREA 2 AS
NOTED BELOW:

ALPINE COUNTY:

Area 1: Northernmost part
Area 2: Remainder

CALAVERAS COUNTY:

Area 1: Except Eastern part
Area 2: Eastern part

COLUSA COUNTY:

Area 1: Eastern part
Area 2: Remainder

DEL NORTE COUNTY:

Area 1: Extreme Southwestern corner
Area 2: Remainder

ELDORADO COUNTY:

Area 1: North Central part
Area 2: Remainder

FRESNO COUNTY

Area 1: Except Eastern part
Area 2: Eastern part

GLENN COUNTY:

Area 1: Eastern part
Area 2: Remainder

HUMBOLDT COUNTY:

Area 1: Except Eastern and Southwestern parts
Area 2: Remainder

LAKE COUNTY:

Area 1: Southern part
Area 2: Remainder

LASSEN COUNTY:

Area 1: Western part along the Southern portion of border
with Shasta County
Area 2: Remainder

MADERA COUNTY

Area 1: Remainder
Area 2: Eastern part

MARIPOSA COUNTY

Area 1: Remainder
Area 2: Eastern part

MENDOCINO COUNTY:

Area 1: Central and Southeastern parts
Area 2: Remainder

MONTEREY COUNTY

Area 1: Remainder

Area 2: Southwestern part

NEVADA COUNTY:

Area 1: All but the Northern portion along the border of
Sierra County
Area 2: Remainder

PLACER COUNTY:

Area 1: All but the Central portion
Area 2: Remainder

PLUMAS COUNTY:

Area 1: Western portion
Area 2: Remainder

SHASTA COUNTY:

Area 1: All but the Northeastern corner
Area 2: Remainder

SIERRA COUNTY:

Area 1: Western part
Area 2: Remainder

SISKIYOU COUNTY:

Area 1: Central part
Area 2: Remainder

SONOMA COUNTY:

Area 1: All but the Northwestern corner
Area 2: Reaminder

TEHAMA COUNTY:

Area 1: All but the Western border with mendocino & Trinity
Counties
Area 2: Remainder

TRINITY COUNTY:

Area 1: East Central part and the Northeaster border with
Shasta County
Area 2: Remainder

TULARE COUNTY;

Area 1: Remainder
Area 2: Eastern part

TUOLUMNE COUNTY:

Area 1: Remainder
Area 2: Eastern Part

IRON0377-002 01/01/2017

	Rates	Fringes
Ironworkers:		
Fence Erector.....	\$ 29.58	21.59
Ornamental, Reinforcing and Structural.....	\$ 36.00	30.15

PREMIUM PAY:

\$6.00 additional per hour at the following locations:

Airport Road Storm Damage Repair Project
PW No. 18-31120, CIP No. 78717
May 15, 2018

County of El Dorado
Agreement
Page AB-22

China Lake Naval Test Station, Chocolate Mountains Naval Reserve-Niland, Edwards AFB, Fort Irwin Military Station, Fort Irwin Training Center-Goldstone, San Clemente Island, San Nicholas Island, Susanville Federal Prison, 29 Palms - Marine Corps, U.S. Marine Base - Barstow, U.S. Naval Air Facility - Sealey, Vandenberg AFB

\$4.00 additional per hour at the following locations:

Army Defense Language Institute - Monterey, Fallon Air Base, Naval Post Graduate School - Monterey, Yermo Marine Corps Logistics Center

\$2.00 additional per hour at the following locations:

Port Hueneme, Port Mugu, U.S. Coast Guard Station - Two Rock

LABO0067-001 12/01/2017

AREA "A" - MARIN COUNTY

AREA "B" - ALPINE, AMADOR, BUTTE COLUSA EL DORADO, GLENN, LASSEN, MODOC, NAPA, NEVADA, PLACER, PLUMAS, SACRAMENTO, SHASTA, SIERRA, SISKIYOU, SOLANO, SONOMA, SUTTER, TEHAMA, TRINITY, YOLO, AND YUBA COUNTIES

	Rates	Fringes
Asbestos Removal Laborer.....	\$ 23.00	11.31
LABORER (Lead Removal)		
Marin County.....	\$ 30.70	22.17
Remaining Counties.....	\$ 29.70	22.17

LABO0185-002 07/01/2017

ALPINE, AMADOR, BUTTE, COLUSA, EL DORADO, GLENN, LASSEN, MODOC, NEVADA, PLACER, PLUMAS, SACRAMENTO, SHASTA, SIERRA, SISKIYOU, SUTTER, TEHAMA, TRINITY, YOLO AND YUBA COUNTIES

	Rates	Fringes
LABORER		
Mason Tender-Brick.....	\$ 30.45	21.04

LABO0185-005 06/26/2017

ALPINE, AMADOR, BUTTE, COLUSA, EL DORADO, GLENN, LASSEN, MODOC, NEVADA, PLACER, PLUMAS, SACRAMENTO, SHASTA, SIERRA, SISKIYOU, SUTTER, TEHAMA, TRINITY, YOLO AND YUBA COUNTIES

	Rates	Fringes
Tunnel and Shaft Laborers:		
GROUP 1.....	\$ 36.60	21.72
GROUP 2.....	\$ 36.37	21.72
GROUP 3.....	\$ 36.12	21.72
GROUP 4.....	\$ 35.67	21.72
GROUP 5.....	\$ 35.13	21.72

Airport Road Storm Damage Repair Project
PW No. 18-31120, CIP No. 78717
May 15, 2018

County of El Dorado
Agreement
Page AB-23

Shotcrete Specialist.....\$ 37.12 21.72

TUNNEL AND SHAFT CLASSIFICATIONS

GROUP 1: Diamond driller; Groundmen; Gunitite and shotcrete nozzlelemen

GROUP 2: Rodmen; Shaft work & raise (below actual or excavated ground level)

GROUP 3: Bit grinder; Blaster, driller, powdermen, heading; Cherry pickermen - where car is lifted; Concrete finisher in tunnel; Concrete screedman; Grout pumpman and potman; Gunitite & shotcrete gunman & potman; Headermen; High pressure nozzleleman; Miner - tunnel, including top and bottom man on shaft and raise work; Nipper; Nozzleman on slick line; Sandblaster - potman, Robotic Shotcrete Placer, Segment Erector, Tunnel Muck Hauler, Steel Form raiser and setter; Timberman, retimberman (wood or steel or substitute materials therefore); Tugger (for tunnel laborer work); Cable tender; Chuck tender; Powderman - primer house

GROUP 4: Vibrator operator, pavement breaker; Bull gang - muckers, trackmen; Concrete crew - includes rodding and spreading, Dumpmen (any method)

GROUP 5: Grout crew; Reboundman; Swamper/ Brakeman

LABO0185-006 06/26/2017

ALPINE, AMADOR, BUTTE, COLUSA, EL DORADO, GLENN, LASSEN, MODOC, NEVADA, PLACER, PLUMAS, SACRAMENTO, SHIESTA, SIERRA, SISKIYOU, SUTTER, TEHAMA, TRINITY, YOLO, YUBA COUNTIES

	Rates	Fringes
LABORER (CONSTRUCTION CRAFT		
LABORERS - AREA B:)		
Construction Specialist		
Group.....	\$ 29.49	22.38
GROUP 1.....	\$ 28.79	22.38
GROUP 1-a.....	\$ 29.01	22.38
GROUP 1-c.....	\$ 28.84	22.38
GROUP 1-e.....	\$ 29.34	22.38
GROUP 1-f.....	\$ 29.37	22.38
GROUP 2.....	\$ 28.64	22.38
GROUP 3.....	\$ 28.54	22.38
GROUP 4.....	\$ 22.23	22.38

See groups 1-b and 1-d under laborer classifications.

LABORER (GARDENERS,		
HORTICULTURAL & LANDSCAPE		
LABORERS - AREA B:)		
(1) New Construction.....	\$ 28.54	22.31
(2) Establishment Warranty		
Period.....	\$ 22.23	22.31

LABORER (GUNITITE - AREA B:)		
GROUP 1.....	\$ 29.75	22.31
GROUP 2.....	\$ 29.25	22.31
GROUP 3.....	\$ 28.66	22.31
GROUP 4.....	\$ 28.54	22.31

LABORER (WRECKING - AREA B:)

Airport Road Storm Damage Repair Project
PW No. 18-31120, CIP No. 78717
May 15, 2018

County of El Dorado
Agreement
Page AB-24

GROUP 1.....	\$ 28.79	22.31
GROUP 2.....	\$ 28.64	22.31

FOOTNOTES:

Laborers working off or with or from bos'n chairs, swinging scaffolds, belts shall receive \$0.25 per hour above the applicable wage rate. This shall not apply to workers entitled to receive the wage rate set forth in Group 1-a below.

LABORER CLASSIFICATIONS

CONSTRUCTION SPECIALIST GROUP: Asphalt ironer and raker; Chainsaw; Laser beam in connection with laborers' work; Cast-in- place manhole form setter; Pressure pipelayer; Davis trencher - 300 or similar type (and all small trenchers); Blaster; Diamond driller; Multiple unit drill; Hydraulic drill

GROUP 1: Asphalt spreader boxes (all types); Barko, Wacker and similar type tampers; Buggymobile; Caulker, bander, pipewrapper, conduit layer, plastic pipelayer; Certified hazardous waste worker including Leade Abatement; Compactors of all types; Concrete and magnesite mixer, 1/2 yd. and under; Concrete pan work; Concrete sander; Concrete saw; Cribber and/or shoring; Cut granite curb setter; Dri-pak-it machine; Faller, logloader and bucket; Form raiser, slip forms; Green cutter; Headerboard, Hubsetter, aligner, by any method; High pressure blow pipe (1-1/2" or over, 100 lbs. pressure/over); Hydro seeder and similar type; Jackhammer operator; Jacking of pipe over 12 inches; Jackson and similar type compactor; Kettle tender, pot and worker applying asphalt, lay-kold, creosote, lime, caustic and similar type materials (applying means applying, dipping or handling of such materials); Lagging, sheeting, whaling, bracing, trenchjacking, lagging hammer; Magnesite, epoxyresin, fiberglass, mastic worker (wet or dry); No joint pipe and stripping of same, including repair of voids; Pavement breaker and spader, including tool grinder; Perma curb; Pipelayer (including grade checking in connection with pipelaying); Precast-manhole setter; Pressure pipe tester; Post hole digger, air, gas and electric; Power broom sweeper; Power tampers of all types (except as shown in Group 2); Ram set gun and stud gun; Riprap stonepaver and rock-slinger, including placing of sacked concrete and/or sand (wet or dry) and gabions and similar type; Rotary scarifier or multiple head concrete chipping scarifier; Roto and Ditch Witch; Rototiller; Sandblaster, pot, gun, nozzle operators; Signalling and rigging; Tank cleaner; Tree climber; Turbo blaster; Vibrascreed, bull float in connection with laborers' work; Vibrator; Hazardous waste worker (lead removal); Asbestos and mold removal worker

GROUP 1-a: Joy drill model TWM-2A; Gardner-Denver model DH143 and similar type drills; Track driller; Jack leg driller; Wagon driller; Mechanical drillers, all types regardless of type or method of power; Mechanical pipe layers, all types regardless of type or method of power; Blaster and powder; All work of loading, placing and blasting of all powder and

explosives of whatever type regardless of method used for such loading and placing; High scalers (including drilling of same); Tree topper; Bit grinder

GROUP 1-b: Sewer cleaners shall receive \$4.00 per day above Group 1 wage rates. "Sewer cleaner" means any worker who handles or comes in contact with raw sewage in small diameter sewers. Those who work inside recently active, large diameter sewers, and all recently active sewer manholes shall receive \$5.00 per day above Group 1 wage rates.

GROUP 1-c: Burning and welding in connection with laborers' work; Synthetic thermoplastics and similar type welding

GROUP 1-d: Maintenance and repair track and road beds. All employees performing work covered herein shall receive \$.25 per hour above their regular rate for all work performed on underground structures not specifically covered herein. This paragraph shall not be construed to apply to work below ground level in open cut. It shall apply to cut and cover work of subway construction after the temporary cover has been placed.

GROUP 1-e: Work on and/or in bell hole footings and shafts thereof, and work on and in deep footings. (A deep footing is a hole 15 feet or more in depth.) In the event the depth of the footing is unknown at the commencement of excavation, and the final depth exceeds 15 feet, the deep footing wage rate would apply to all employees for each and every day worked on or in the excavation of the footing from the date of inception.

GROUP 1-f: Wire winding machine in connection with guniting or shot crete

GROUP 2: Asphalt shoveler; Cement dumper and handling dry cement or gypsum; Choke-setter and rigger (clearing work); Concrete bucket dumper and chute; Concrete chipping and grinding; Concrete laborer (wet or dry); Driller tender, chuck tender, nipper; Guinea chaser (stake), grout crew; High pressure nozzle, adductor; Hydraulic monitor (over 100 lbs. pressure); Loading and unloading, carrying and hauling of all rods and materials for use in reinforcing concrete construction; Pittsburgh chipper and similar type brush shredders; Sloper; Single foot, hand-held, pneumatic tamper; All pneumatic, air, gas and electric tools not listed in Groups 1 through 1-f; Jacking of pipe - under 12 inches

GROUP 3: Construction laborers, including bridge and general laborer; Dump, load spotter; Flag person; Fire watcher; Fence erector; Guardrail erector; Gardener, horticultural and landscape laborer; Jetting; Limber, brush loader and piler; Pavement marker (button setter); Maintenance, repair track and road beds; Streetcar and railroad construction track laborer; Temporary air and water lines, Victaulic or similar; Tool room attendant (jobsite only)

GROUP 4: Final clean-up work of debris, grounds and building including but not limited to: street cleaner; cleaning and washing windows; brick cleaner (jobsite only); material cleaner (jobsite only). The classification "material

cleaner" is to be utilized under the following conditions:
 A: at demolition site for the salvage of the material.
 B: at the conclusion of a job where the material is to be salvaged and stocked to be reused on another job.
 C: for the cleaning of salvage material at the jobsite or temporary jobsite yard.

The material cleaner classification should not be used in the performance of "form stripping, cleaning and oiling and moving to the next point of erection".

 GUNITE LABORER CLASSIFICATIONS

- GROUP 1: Structural Nozzleman
- GROUP 2: Nozzleman, Gunman, Potman, Groundman
- GROUP 3: Reboundman
- GROUP 4: Gunite laborer

 WRECKING WORK LABORER CLASSIFICATIONS

- GROUP 1: Skilled wrecker (removing and salvaging of sash, windows and materials)
- GROUP 2: Semi-skilled wrecker (salvaging of other building materials)

 LABO0185-008 07/01/2017

	Rates	Fringes
Plasterer tender.....	\$ 31.02	22.52
Work on a swing stage scaffold: \$1.00 per hour additional.		

 LABO0261-002 06/26/2017

MARIN COUNTY

	Rates	Fringes
LABORER (TRAFFIC CONTROL/LANE CLOSURE)		
Escort Driver, Flag Person..	\$ 29.54	22.17
Traffic Control Person I....	\$ 29.84	22.17
Traffic Control Person II...\$	27.34	22.17

TRAFFIC CONTROL PERSON I: Layout of traffic control, crash cushions, construction area and roadside signage.

TRAFFIC CONTROL PERSON II: Installation and removal of temporary/permanent signs, markers, delineators and crash cushions.

 LABO0261-004 06/26/2017

MARIN COUNTY

	Rates	Fringes
Tunnel and Shaft Laborers:		
GROUP 1.....	\$ 36.60	21.72
GROUP 2.....	\$ 36.37	21.72
GROUP 3.....	\$ 36.12	21.72
GROUP 4.....	\$ 35.67	21.72
GROUP 5.....	\$ 35.13	21.72
Shotcrete Specialist.....	\$ 37.12	21.72

TUNNEL AND SHAFT CLASSIFICATIONS

GROUP 1: Diamond driller; Groundmen; Gunite and shotcrete nozzlelemen

GROUP 2: Rodmen; Shaft work & raise (below actual or excavated ground level)

GROUP 3: Bit grinder; Blaster, driller, powdermen, heading; Cherry pickermen - where car is lifted; Concrete finisher in tunnel; Concrete screedman; Grout pumpman and potman; Gunite & shotcrete gunman & potman; Headermen; High pressure nozzleman; Miner - tunnel, including top and bottom man on shaft and raise work; Nipper; Nozzleman on slick line; Sandblaster - potman, Robotic Shotcrete Placer, Segment Erector, Tunnel Muck Hauler, Steel Form raiser and setter; Timberman, retimberman (wood or steel or substitute materials therefore); Tugger (for tunnel laborer work); Cable tender; Chuck tender; Powderman - primer house

GROUP 4: Vibrator operator, pavement breaker; Bull gang - muckers, trackmen; Concrete crew - includes rodding and spreading, Dumpmen (any method)

GROUP 5: Grout crew; Reboundman; Swamper/ Brakeman

LABO0261-007 07/01/2017

MARIN AND NAPA COUNTIES

	Rates	Fringes
LABORER		
Mason Tender-Brick.....	\$ 31.70	21.04

LABO0261-010 06/26/2017

MARIN COUNTY

	Rates	Fringes
LABORER (CONSTRUCTION CRAFT LABORERS - AREA A:)		
Construction Specialist		
Group.....	\$ 30.49	22.38
GROUP 1.....	\$ 29.79	22.38
GROUP 1-a.....	\$ 30.01	22.38
GROUP 1-c.....	\$ 29.84	22.38
GROUP 1-e.....	\$ 30.34	22.38

GROUP 1-f.....	\$ 30.37	22.38
GROUP 2.....	\$ 29.64	22.38
GROUP 3.....	\$ 29.54	22.38
GROUP 4.....	\$ 23.23	22.38

See groups 1-b and 1-d under laborer classifications.

LABORER (GARDENERS,
HORTICULTURAL & LANDSCAPE
LABORERS - AREA A:)

(1) New Construction.....	\$ 29.54	22.31
(2) Establishment Warranty Period.....	\$ 23.23	22.31

LABORER (GUNITE - AREA A:)

GROUP 1.....	\$ 30.75	22.31
GROUP 2.....	\$ 30.25	22.31
GROUP 3.....	\$ 29.66	22.31
GROUP 4.....	\$ 29.54	22.31

LABORER (WRECKING - AREA A:)

GROUP 1.....	\$ 29.79	22.31
GROUP 2.....	\$ 29.64	22.31

FOOTNOTES:

Laborers working off or with or from bos'n chairs, swinging scaffolds, belts shall receive \$0.25 per hour above the applicable wage rate. This shall not apply to workers entitled to receive the wage rate set forth in Group 1-a below.

LABORER CLASSIFICATIONS

CONSTRUCTION SPECIALIST GROUP: Asphalt ironer and raker; Chainsaw; Laser beam in connection with laborers' work; Cast-in- place manhole form setter; Pressure pipelayer; Davis trencher - 300 or similar type (and all small trenchers); Blaster; Diamond driller; Multiple unit drill; Hydraulic drill

GROUP 1: Asphalt spreader boxes (all types); Barko, Wacker and similar type tampers; Buggymobile; Caulker, bander, pipewrapper, conduit layer, plastic pipelayer; Certified hazardous waste worker including Leade Abatement; Compactors of all types; Concrete and magnesite mixer, 1/2 yd. and under; Concrete pan work; Concrete sander; Concrete saw; Cribber and/or shoring; Cut granite curb setter; Dri-pak-it machine; Faller, logloader and buckler; Form raiser, slip forms; Green cutter; Headerboard, Hubsetter, aligner, by any method; High pressure blow pipe (1-1/2" or over, 100 lbs. pressure/over); Hydro seeder and similar type; Jackhammer operator; Jacking of pipe over 12 inches; Jackson and similar type compactor; Kettle tender, pot and worker applying asphalt, lay-kold, creosote, lime, caustic and similar type materials (applying means applying, dipping or handling of such materials); Lagging, sheeting, whaling, bracing, trenchjacking, lagging hammer; Magnesite, epoxyresin, fiberglass, mastic worker (wet or dry); No joint pipe and stripping of same, including repair of voids; Pavement breaker and spader, including tool grinder; Perma curb; Pipelayer (including grade checking in connection with pipelaying); Precast-manhole setter; Pressure pipe tester; Post hole digger, air, gas and electric; Power broom sweeper; Power tampers of all types

(except as shown in Group 2); Ram set gun and stud gun; Riprap stonepaver and rock-slinger, including placing of sacked concrete and/or sand (wet or dry) and gabions and similar type; Rotary scarifier or multiple head concrete chipping scarifier; Roto and Ditch Witch; Rototiller; Sandblaster, pot, gun, nozzle operators; Signalling and rigging; Tank cleaner; Tree climber; Turbo blaster; Vibrascreed, bull float in connection with laborers' work; Vibrator; Hazardous waste worker (lead removal); Asbestos and mold removal worker

GROUP 1-a: Joy drill model TWM-2A; Gardner-Denver model DH143 and similar type drills; Track driller; Jack leg driller; Wagon driller; Mechanical drillers, all types regardless of type or method of power; Mechanical pipe layers, all types regardless of type or method of power; Blaster and powder; All work of loading, placing and blasting of all powder and explosives of whatever type regardless of method used for such loading and placing; High scalers (including drilling of same); Tree topper; Bit grinder

GROUP 1-b: Sewer cleaners shall receive \$4.00 per day above Group 1 wage rates. "Sewer cleaner" means any worker who handles or comes in contact with raw sewage in small diameter sewers. Those who work inside recently active, large diameter sewers, and all recently active sewer manholes shall receive \$5.00 per day above Group 1 wage rates.

GROUP 1-c: Burning and welding in connection with laborers' work; Synthetic thermoplastics and similar type welding

GROUP 1-d: Maintenance and repair track and road beds. All employees performing work covered herein shall receive \$.25 per hour above their regular rate for all work performed on underground structures not specifically covered herein. This paragraph shall not be construed to apply to work below ground level in open cut. It shall apply to cut and cover work of subway construction after the temporary cover has been placed.

GROUP 1-e: Work on and/or in bell hole footings and shafts thereof, and work on and in deep footings. (A deep footing is a hole 15 feet or more in depth.) In the event the depth of the footing is unknown at the commencement of excavation, and the final depth exceeds 15 feet, the deep footing wage rate would apply to all employees for each and every day worked on or in the excavation of the footing from the date of inception.

GROUP 1-f: Wire winding machine in connection with guniting or shot crete

GROUP 2: Asphalt shoveler; Cement dumper and handling dry cement or gypsum; Choke-setter and rigger (clearing work); Concrete bucket dumper and chute; Concrete chipping and grinding; Concrete laborer (wet or dry); Driller tender, chuck tender, nipper; Guinea chaser (stake), grout crew; High pressure nozzle, adductor; Hydraulic monitor (over 100 lbs. pressure); Loading and unloading, carrying and hauling of all rods and materials for use in reinforcing concrete construction; Pittsburgh chipper and similar type brush shredders; Sloper; Single foot, hand-held, pneumatic

tamper; All pneumatic, air, gas and electric tools not listed in Groups 1 through 1-f; Jacking of pipe - under 12 inches

GROUP 3: Construction laborers, including bridge and general laborer; Dump, load spotter; Flag person; Fire watcher; Fence erector; Guardrail erector; Gardener, horticultural and landscape laborer; Jetting; Limber, brush loader and piler; Pavement marker (button setter); Maintenance, repair track and road beds; Streetcar and railroad construction track laborer; Temporary air and water lines, Victaulic or similar; Tool room attendant (jobsite only)

GROUP 4: Final clean-up work of debris, grounds and building including but not limited to: street cleaner; cleaning and washing windows; brick cleaner (jobsite only); material cleaner (jobsite only). The classification "material cleaner" is to be utilized under the following conditions:

- A: at demolition site for the salvage of the material.
- B: at the conclusion of a job where the material is to be salvaged and stocked to be reused on another job.
- C: for the cleaning of salvage material at the jobsite or temporary jobsite yard.

The material cleaner classification should not be used in the performance of "form stripping, cleaning and oiling and moving to the next point of erection".

GUNITE LABORER CLASSIFICATIONS

GROUP 1: Structural Nozzleman

GROUP 2: Nozzleman, Gunman, Potman, Groundman

GROUP 3: Reboundman

GROUP 4: Guniting laborer

WRECKING WORK LABORER CLASSIFICATIONS

GROUP 1: Skilled wrecker (removing and salvaging of sash, windows and materials)

GROUP 2: Semi-skilled wrecker (salvaging of other building materials)

LABO0261-015 07/01/2017

	Rates	Fringes
Plasterer tender.....	\$ 31.02	22.52

Work on a swing stage scaffold: \$1.00 per hour additional.

LABO0324-004 06/26/2017

NAPA, SOLANO, AND SONOMA, COUNTIES

	Rates	Fringes
LABORER (TRAFFIC CONTROL/LANE CLOSURE)		
Escort Driver, Flag Person..	\$ 28.54	22.17
Traffic Control Person I....	\$ 28.84	22.17
Traffic Control Person II...	\$ 26.34	22.17

TRAFFIC CONTROL PERSON I: Layout of traffic control, crash cushions, construction area and roadside signage.

TRAFFIC CONTROL PERSON II: Installation and removal of temporary/permanent signs, markers, delineators and crash cushions.

LABO0324-008 06/26/2017

NAPA, SOLANO, AND SONOMA COUNTIES

	Rates	Fringes
Tunnel and Shaft Laborers:		
GROUP 1.....	\$ 36.60	21.72
GROUP 2.....	\$ 36.37	21.72
GROUP 3.....	\$ 36.12	21.72
GROUP 4.....	\$ 35.67	21.72
GROUP 5.....	\$ 35.13	21.72
Shotcrete Specialist.....	\$ 37.12	21.72

TUNNEL AND SHAFT CLASSIFICATIONS

GROUP 1: Diamond driller; Groundmen; Gunite and shotcrete nozzlelemen

GROUP 2: Rodmen; Shaft work & raise (below actual or excavated ground level)

GROUP 3: Bit grinder; Blaster, driller, powdermen, heading; Cherry pickermen - where car is lifted; Concrete finisher in tunnel; Concrete screedman; Grout pumpman and potman; Gunite & shotcrete gunman & potman; Headermen; High pressure nozzleleman; Miner - tunnel, including top and bottom man on shaft and raise work; Nipper; Nozzleman on slick line; Sandblaster - potman, Robotic Shotcrete Placer, Segment Erector, Tunnel Muck Hauler, Steel Form raiser and setter; Timberman, retimberman (wood or steel or substitute materials therefore); Tugger (for tunnel laborer work); Cable tender; Chuck tender; Powderman - primer house

GROUP 4: Vibrator operator, pavement breaker; Bull gang - muckers, trackmen; Concrete crew - includes rodding and spreading, Dumpmen (any method)

GROUP 5: Grout crew; Reboundman; Swamper/ Brakeman

LABO0324-010 07/01/2017

SOLANO AND SONOMA COUNTIES

Rates	Fringes
-------	---------

LABORER
Mason Tender-Brick.....\$ 30.70 21.04

LABO0324-013 06/27/2017

NAPA, SOLANO, AND SONOMA COUNTIES

	Rates	Fringes
LABORER (CONSTRUCTION CRAFT		
LABORERS - AREA B:)		
Construction Specialist		
Group.....	\$ 29.49	22.38
GROUP 1.....	\$ 28.79	22.38
GROUP 1-a.....	\$ 29.01	22.38
GROUP 1-c.....	\$ 28.84	22.38
GROUP 1-e.....	\$ 29.34	22.38
GROUP 1-f.....	\$ 29.37	22.38
GROUP 2.....	\$ 28.64	22.38
GROUP 3.....	\$ 28.54	22.38
GROUP 4.....	\$ 22.23	22.38
See groups 1-b and 1-d under laborer classifications.		
LABORER (GARDENERS,		
HORTICULTURAL & LANDSCAPE		
LABORERS - AREA B:)		
(1) New Construction.....	\$ 28.54	22.31
(2) Establishment Warranty		
Period.....	\$ 22.23	22.31
LABORER (GUNITE - AREA B:)		
GROUP 1.....	\$ 29.75	22.31
GROUP 2.....	\$ 29.25	22.31
GROUP 3.....	\$ 28.66	22.31
GROUP 4.....	\$ 28.54	22.31
LABORER (WRECKING - AREA B:)		
GROUP 1.....	\$ 28.79	22.31
GROUP 2.....	\$ 28.64	22.31

FOOTNOTES:

 Laborers working off or with or from bos'n chairs, swinging scaffolds, belts shall receive \$0.25 per hour above the applicable wage rate. This shall not apply to workers entitled to receive the wage rate set forth in Group 1-a below.

LABORER CLASSIFICATIONS

 CONSTRUCTION SPECIALIST GROUP: Asphalt ironer and raker; Chainsaw; Laser beam in connection with laborers' work; Cast-in- place manhole form setter; Pressure pipelayer; Davis trencher - 300 or similar type (and all small trenchers); Blaster; Diamond driller; Multiple unit drill; Hydraulic drill

 GROUP 1: Asphalt spreader boxes (all types); Barko, Wacker and similar type tampers; Buggymobile; Caulker, bander, pipewrapper, conduit layer, plastic pipelayer; Certified hazardous waste worker including Leade Abatement; Compactors of all types; Concrete and magnesite mixer, 1/2 yd. and under; Concrete pan work; Concrete sander; Concrete saw; Cribber and/or shoring; Cut granite curb setter;

Dri-pak-it machine; Faller, logloader and buckler; Form raiser, slip forms; Green cutter; Headerboard, Hubsetter, aligner, by any method; High pressure blow pipe (1-1/2" or over, 100 lbs. pressure/over); Hydro seeder and similar type; Jackhammer operator; Jacking of pipe over 12 inches; Jackson and similar type compactor; Kettle tender, pot and worker applying asphalt, lay-kold, creosote, lime, caustic and similar type materials (applying means applying, dipping or handling of such materials); Lagging, sheeting, whaling, bracing, trenchjacking, lagging hammer; Magnesite, epoxyresin, fiberglass, mastic worker (wet or dry); No joint pipe and stripping of same, including repair of voids; Pavement breaker and spader, including tool grinder; Perma curb; Pipelayer (including grade checking in connection with pipelaying); Precast-manhole setter; Pressure pipe tester; Post hole digger, air, gas and electric; Power broom sweeper; Power tampers of all types (except as shown in Group 2); Ram set gun and stud gun; Riprap stonepaver and rock-slinger, including placing of sacked concrete and/or sand (wet or dry) and gabions and similar type; Rotary scarifier or multiple head concrete chipping scarifier; Roto and Ditch Witch; Rototiller; Sandblaster, pot, gun, nozzle operators; Signalling and rigging; Tank cleaner; Tree climber; Turbo blaster; Vibrascreed, bull float in connection with laborers' work; Vibrator; Hazardous waste worker (lead removal); Asbestos and mold removal worker

GROUP 1-a: Joy drill model TWM-2A; Gardner-Denver model DH143 and similar type drills; Track driller; Jack leg driller; Wagon driller; Mechanical drillers, all types regardless of type or method of power; Mechanical pipe layers, all types regardless of type or method of power; Blaster and powder; All work of loading, placing and blasting of all powder and explosives of whatever type regardless of method used for such loading and placing; High scalers (including drilling of same); Tree topper; Bit grinder

GROUP 1-b: Sewer cleaners shall receive \$4.00 per day above Group 1 wage rates. "Sewer cleaner" means any worker who handles or comes in contact with raw sewage in small diameter sewers. Those who work inside recently active, large diameter sewers, and all recently active sewer manholes shall receive \$5.00 per day above Group 1 wage rates.

GROUP 1-c: Burning and welding in connection with laborers' work; Synthetic thermoplastics and similar type welding

GROUP 1-d: Maintenance and repair track and road beds. All employees performing work covered herein shall receive \$.25 per hour above their regular rate for all work performed on underground structures not specifically covered herein. This paragraph shall not be construed to apply to work below ground level in open cut. It shall apply to cut and cover work of subway construction after the temporary cover has been placed.

GROUP 1-e: Work on and/or in bell hole footings and shafts thereof, and work on and in deep footings. (A deep footing is a hole 15 feet or more in depth.) In the event the depth of the footing is unknown at the commencement of excavation, and the final depth exceeds 15 feet, the deep

footing wage rate would apply to all employees for each and every day worked on or in the excavation of the footing from the date of inception.

GROUP 1-f: Wire winding machine in connection with guniting or shot crete

GROUP 2: Asphalt shoveler; Cement dumper and handling dry cement or gypsum; Choke-setter and rigger (clearing work); Concrete bucket dumper and chute; Concrete chipping and grinding; Concrete laborer (wet or dry); Driller tender, chuck tender, nipper; Guinea chaser (stake), grout crew; High pressure nozzle, adductor; Hydraulic monitor (over 100 lbs. pressure); Loading and unloading, carrying and hauling of all rods and materials for use in reinforcing concrete construction; Pittsburgh chipper and similar type brush shredders; Sloper; Single foot, hand-held, pneumatic tamper; All pneumatic, air, gas and electric tools not listed in Groups 1 through 1-f; Jacking of pipe - under 12 inches

GROUP 3: Construction laborers, including bridge and general laborer; Dump, load spotter; Flag person; Fire watcher; Fence erector; Guardrail erector; Gardener, horticultural and landscape laborer; Jetting; Limber, brush loader and piler; Pavement marker (button setter); Maintenance, repair track and road beds; Streetcar and railroad construction track laborer; Temporary air and water lines, Victaulic or similar; Tool room attendant (jobsite only)

GROUP 4: Final clean-up work of debris, grounds and building including but not limited to: street cleaner; cleaning and washing windows; brick cleaner (jobsite only); material cleaner (jobsite only). The classification "material cleaner" is to be utilized under the following conditions:

- A: at demolition site for the salvage of the material.
- B: at the conclusion of a job where the material is to be salvaged and stocked to be reused on another job.
- C: for the cleaning of salvage material at the jobsite or temporary jobsite yard.

The material cleaner classification should not be used in the performance of "form stripping, cleaning and oiling and moving to the next point of erection".

GUNITE LABORER CLASSIFICATIONS

GROUP 1: Structural Nozzleman

GROUP 2: Nozzleman, Gunman, Potman, Groundman

GROUP 3: Reboundman

GROUP 4: Gunite laborer

WRECKING WORK LABORER CLASSIFICATIONS

GROUP 1: Skilled wrecker (removing and salvaging of sash, windows and materials)

GROUP 2: Semi-skilled wrecker (salvaging of other building materials)

LABO0324-019 07/01/2017

	Rates	Fringes
Plasterer tender.....	\$ 31.02	22.52

Work on a swing stage scaffold: \$1.00 per hour additional.

PAIN0016-004 01/01/2018

MARIN, NAPA, SOLANO & SONOMA COUNTIES

	Rates	Fringes
Painters:.....	\$ 40.62	23.83

PREMIUMS:

EXOTIC MATERIALS - \$0.75 additional per hour.

SPRAY WORK: - \$0.50 additional per hour.

INDUSTRIAL PAINTING - \$0.25 additional per hour

[Work on industrial buildings used for the manufacture and processing of goods for sale or service; steel construction (bridges), stacks, towers, tanks, and similar structures]

HIGH WORK:

over 50 feet - \$2.00 per hour additional

100 to 180 feet - \$4.00 per hour additional

Over 180 feet - \$6.00 per hour additional

PAIN0016-005 01/01/2018

ALPINE, BUTTE, COLUSA, EL DORADO (west of the Sierra Nevada Mountains), GLENN, LASSEN (west of Hwy. 395, excluding Honey Lake); MARIN, MODOC, NAPA, NEVADA (west of the Sierra Nevada Mountains), PLACER (west of the Sierra Nevada Mountains), PLUMAS, SACRAMENTO, SHASTA, SIERRA (west of the Sierra Nevada Mountains), SISKIYOU, SOLANO, SONOMA, SUTTER, TEHAMA, TRINITY, YOLO AND YUBA COUNTIES

	Rates	Fringes
DRYWALL FINISHER/TAPER.....	\$ 41.03	25.34

PAIN0016-007 01/01/2018

ALPINE, AMADOR, BUTTE, COLUSA, EL DORADO (west of the Sierra Nevada Mountains), GLENN, LASSEN (west of Highway 395, excluding Honey Lake), MODOC, NEVADA (west of the Sierra Nevada Mountains), PLACER (west of the Sierra Nevada Mountains), PLUMAS, SACRAMENTO, SHASTA, SIERRA (west of the Sierra Nevada Mountains), SISKIYOU, SUTTER, TEHAMA, TRINITY, YOLO & YUBA COUNTIES

	Rates	Fringes
--	-------	---------

Painters:.....\$ 32.91 19.26

SPRAY/SANDBLAST: \$0.50 additional per hour.
EXOTIC MATERIALS: \$1.00 additional per hour.
HIGH TIME: Over 50 ft above ground or water level \$2.00 additional per hour. 100 to 180 ft above ground or water level \$4.00 additional per hour. Over 180 ft above ground or water level \$6.00 additional per hour.

PAIN0016-008 01/01/2018

MARIN, NAPA, SOLANO AND SONOMA COUNTIES

	Rates	Fringes
SOFT FLOOR LAYER.....	\$ 48.00	26.03

PAIN0169-004 01/01/2018

MARIN , NAPA & SONOMA COUNTIES; SOLANO COUNTY (west of a line defined as follows: Hwy. 80 corridor beginning at the City of Fairfield, including Travis Air Force Base and Suisun City; going north of Manakas Corner Rd., continue north on Suisun Valley Rd. to the Napa County line; Hwy. 80 corridor south on Grizzly Island Rd. to the Grizzly Island Management area)

	Rates	Fringes
GLAZIER.....	\$ 46.13	28.04

* PAIN0567-001 07/01/2017

EL DORADO COUNTY (east of the Sierra Nevada Mountains); LASSEN COUNTY (east of Highway 395, beginning at Stacey and including Honey Lake); NEVADA COUNTY (east of the Sierra Nevada Mountains); PLACER COUNTY (east of the Sierra Nevada Mountains); AND SIERRA COUNTY (east of the Sierra Nevada Mountains)

	Rates	Fringes
Painters:		
Brush and Roller.....	\$ 24.80	12.94
Spray Painter & Paperhanger.	\$ 26.04	12.94

PREMIUMS:
Special Coatings (Brush), and Sandblasting = \$0.50/hr
Special Coatings (Spray), and Steeplejack = \$1.00/hr
Special Coating Spray Steel = \$1.25/hr
Swing Stage = \$2.00/hr

*A special coating is a coating that requires the mixing of 2 or more products.

PAIN0567-007 07/01/2017

EL DORADO COUNTY (east of the Sierra Nevada Mountains); LASSEN COUNTY (east of Highway 395, beginning at Stacey and including Honey Lake); NEVADA COUNTY (east of the Sierra Nevada

Mountains); PLACER COUNTY (east of the Sierra Nevada Mountains)
 AND SIERRA COUNTY (east of the Sierra Nevada Mountains)

	Rates	Fringes
SOFT FLOOR LAYER.....	\$ 28.30	12.44

 PAIN0567-010 07/01/2017

EL DORADO COUNTY (east of the Sierra Nevada Mountains); LASSEN COUNTY (east of Highway 395, beginning at Stacey and including Honey Lake); NEVADA COUNTY (east of the Sierra Nevada Mountains); PLACER COUNTY (east of the Sierra Nevada Mountains); AND SIERRA COUNTY (east of the Sierra Nevada Mountains)

	Rates	Fringes
Drywall		
(1) Taper.....	\$ 30.67	12.54
(2) Steeplejack - Taper, over 40 ft with open space below.....	\$ 30.92	12.04

 PAIN0767-004 01/01/2018

ALPINE, AMADOR, BUTTE, COLUSA, EL DORADO, GLENN, LASSEN, MODOC, NEVADA, PLACER, PLUMAS, SACRAMENTO, SHASTA, SIERRA, SISKIYOU, SOLANO (Remainder), SUTTER, TEHAMA, TRINITY, YOLO, YUBA

	Rates	Fringes
GLAZIER.....	\$ 34.57	28.25

PAID HOLIDAYS: New Year's Day, Martin Luther King, Jr. Day, President's Day, Memorial Day, Independence Day, Labor Day, Veteran's Day, Thanksgiving Day, and Christmas Day.

Employee required to wear a body harness shall receive \$1.50 per hour above the basic hourly rate at any elevation.

 PAIN1176-001 01/01/2017

HIGHWAY IMPROVEMENT

	Rates	Fringes
Parking Lot Striping/Highway Marking:		
GROUP 1.....	\$ 34.41	16.31
GROUP 2.....	\$ 29.25	16.31
GROUP 3.....	\$ 29.59	16.31

CLASSIFICATIONS

GROUP 1: Striper: Layout and application of painted traffic stripes and marking; hot thermo plastic; tape, traffic stripes and markings

GROUP 2: Gamecourt & Playground Installer

GROUP 3: Protective Coating, Pavement Sealing

PAIN1237-001 01/01/2018

ALPINE; COLUSA; EL DORADO (west of the Sierra Nevada Mountains); GLENN; LASSEN (west of Highway 395, beginning at Stacey and including Honey Lake); MODOC; NEVADA (west of the Sierra Nevada Mountains); PLACER (west of the Sierra Nevada Mountains); PLUMAS; SACRAMENTO; SHASTA; SIERRA (west of the Sierra Nevada Mountains); SISKIYOU; SUTTER; TEHAMA; TRINITY; YOLO AND YUBA COUNTIES

	Rates	Fringes
SOFT FLOOR LAYER.....	\$ 34.81	21.51

PLAS0300-003 07/01/2014

	Rates	Fringes
PLASTERER		
AREA 295: Alpine, Amador, Butte, Colusa, El Dorado, Glenn, Lassen, Modoc, Nevada, Placer, Plumas, Sacramento, Shasta, Sierra, Siskiyou, Solano, Sutter, Tehema, Trinity, Yolo & Yuba Counties.....	\$ 31.41	22.26
AREA 355: Marin.....	\$ 34.75	22.26
AREA 355: Napa & Sonoma Counties.....	\$ 31.41	22.26

PLAS0300-005 07/01/2017

	Rates	Fringes
CEMENT MASON/CONCRETE FINISHER...	\$ 39.20	19.71

PLUM0038-002 07/01/2017

MARIN AND SONOMA COUNTIES

	Rates	Fringes
PLUMBER (Plumber, Steamfitter, Refrigeration Fitter)		
(1) Work on wooden frame structures 5 stories or less excluding hgih-rise buildings and commercial work such as hospitals, prisons, hotels, schools, casinos, wastewater treatment plants, and resarch facilities as well as refrigeration pipefitting, service and		

repair work - MARKET		
RECOVERY RATE.....	\$ 70.00	43.24
(2) All other work - NEW		
CONSTRUCTION RATE.....	\$ 70.00	43.24

 PLUM0038-006 07/01/2017

MARIN & SONOMA COUNTIES

	Rates	Fringes
Landscape/Irrigation Fitter (Underground/Utility Fitter).....	\$ 59.50	38.24

 PLUM0228-001 01/01/2018

BUTTE, COLUSA, GLENN, LASSEN, MODOC, PLUMAS, SHASTA, SIERRA,
 SISKIYOU, SUTTER, TEHAMA, TRINITY & YUBA COUNTIES

	Rates	Fringes
PLUMBER.....	\$ 39.00	30.64

 PLUM0343-001 07/01/2017

NAPA AND SOLANO COUNTIES

	Rates	Fringes
PLUMBER/PIPEFITTER		
Light Commercial.....	\$ 30.85	20.40
All Other Work.....	\$ 50.00	34.00

DEFINITION OF LIGHT COMMERCIAL:
 Work shall include strip shopping centers, office buildings, schools and other commercial structures which the total plumbing bid does not exceed Two Hundred and Fifty Thousand (\$250,000) and the total heating and cooling does not exceed Two Hundred Fifty Thousand (\$250,000); or Any projects bid in phases shall not qualify unless the total project is less than Two Hundred Fifty Thousand (\$250,000) for the plumbing bid; and Two Hundred Fifty Thousand (\$250,000) for the heating and cooling bid. Excluded are hospitals, jails, institutions and industrial projects, regardless size of the project

FOOTNOTES: While fitting galvanized material: \$.75 per hour additional. Work from trusses, temporary staging, unguarded structures 35' from the ground or water: \$.75 per hour additional. Work from swinging scaffolds, boatswains chairs or similar devices: \$.75 per hour additional.

 PLUM0350-001 02/01/2015

EL DORADO COUNTY (Lake Tahoe area only); NEVADA COUNTY (Lake Tahoe area only); AND PLACER COUNTY (Lake Tahoe area only)

	Rates	Fringes
PLUMBER/PIPEFITTER.....	\$ 30.88	11.51

PLUM0355-001 07/01/2017

ALPINE, AMADOR, BUTTE, COLUSA, EL DORADO, GLENN, LASSEN, MODOC,
NAPA, NEVADA, PLACER, PLUMAS, SACRAMENTO, SHASTA, SIERRA,
SISKIYOU, SOLANO, SUTTER, TEHAMA, TRINITY, YOLO, AND YUBA
COUNTIES

	Rates	Fringes
Underground Utility Worker /Landscape Fitter.....	\$ 26.85	15.05

PLUM0442-003 01/01/2018

AMADOR (South of San Joaquin River) and ALPINE COUNTIES

	Rates	Fringes
PLUMBER.....	\$ 41.00	29.37

PLUM0447-001 07/01/2017

AMADOR (north of San Joaquin River), EL DORADO (excluding Lake
Tahoe area), NEVADA (excluding Lake Tahoe area); PLACER
(excluding Lake Tahoe area), SACRAMENTO AND YOLO COUNTIES

	Rates	Fringes
PLUMBER/PIPEFITTER Journeyman.....	\$ 48.37	24.00
Light Commercial Work.....	\$ 36.23	17.72

ROOF0081-006 08/01/2017

MARIN, NAPA, SOLANO AND SONOMA COUNTIES

	Rates	Fringes
Rofer.....	\$ 38.20	16.81

ROOF0081-007 08/01/2017

ALPINE, BUTTE, COLUSA, EL DORADO, GLENN, LASSEN, MODOC, NEVADA,
PLACER, PLUMAS, SACRAMENTO, SHASTA, SIERRA, SISKIYOU, SUTTER,
TEHAMA, TRINITY, YOLO, AND YUBA COUNTIES

	Rates	Fringes
Rofer.....	\$ 35.97	16.83

SFCA0483-003 01/01/2018

MARIN, NAPA, SOLANO AND SONOMA COUNTIES

	Rates	Fringes
SPRINKLER FITTER (Fire Sprinklers).....	\$ 61.37	29.12

SFCA0669-003 04/01/2017

ALPINE, BUTTE, COLUSA, EL DORADO, GLENN, LASSEN, MODOC, NEVADA, PLACER, PLUMAS, SACRAMENTO, SHASTA, SIERRA, SISKIYOU, SUTTER, TEHAMA, TRINITY, YOLO AND YUBA COUNTIES

	Rates	Fringes
SPRINKLER FITTER.....	\$ 37.20	15.84

SHEE0104-006 07/03/2017

MARIN, NAPA, SOLANO SONOMA & TRINITY COUNTIES

	Rates	Fringes
Sheet Metal Worker Mechanical Contracts \$200,000 or less.....	\$ 50.29	37.16
All other work.....	\$ 57.09	37.79

SHEE0104-009 07/01/2017

AMADOR, COLUSA, EL DORADO, NEVADA, PLACER, SACRAMENTO, SUTTER, YOLO AND YUBA COUNTIES

	Rates	Fringes
SHEET METAL WORKER.....	\$ 41.80	33.13

SHEE0104-010 07/01/2017

ALPINE COUNTY

	Rates	Fringes
SHEET METAL WORKER.....	\$ 39.74	31.50

SHEE0104-011 07/01/2017

BUTTE, COLUSA, EL DORADO, GLENN, LASSEN, MODOC, NEVADA, PLACER, PLUMAS, SACRAMENTO, SHASTA, SIERRA, SISKIYOU, SUTTER, TEHAMA, YOLO AND YUBA COUNTIES

	Rates	Fringes
Sheet Metal Worker (Metal decking and siding only).....	\$ 37.53	32.05

SHEE0104-014 07/01/2017

MARIN, NAPA, SOLANO, SONOMA AND TRINITY COUNTIES

	Rates	Fringes
SHEET METAL WORKER (Metal Decking and Siding only).....	\$ 37.53	32.10

SHEE0104-019 07/01/2017

Airport Road Storm Damage Repair Project
PW No. 18-31120, CIP No. 78717
May 15, 2018

County of El Dorado
Agreement
Page AB-42

BUTTE, GLENN, LASSEN, MODOC, PLUMAS, SHASTA, SIERRA, SISKIYOU
AND TEHAMA COUNTIES

	Rates	Fringes
SHEET METAL WORKER		
Mechanical Jobs \$200,000 & under.....	\$ 31.35	31.09
Mechanical Jobs over \$200,000.....	\$ 41.80	33.08

TEAM0094-001 07/01/2017

	Rates	Fringes
Truck drivers:		
GROUP 1.....	\$ 30.72	27.47
GROUP 2.....	\$ 31.02	27.47
GROUP 3.....	\$ 31.32	27.47
GROUP 4.....	\$ 31.67	27.47
GROUP 5.....	\$ 32.02	27.47

FOOTNOTES:

Articulated dump truck; Bulk cement spreader (with or without auger); Dumpcrete truck; Skid truck (debris box); Dry pre-batch concrete mix trucks; Dumpster or similar type; Slurry truck: Use dump truck yardage rate.
Heater planer; Asphalt burner; Scarifier burner; Industrial lift truck (mechanical tailgate); Utility and clean-up truck: Use appropriate rate for the power unit or the equipment utilized.

TRUCK DRIVER CLASSIFICATIONS

GROUP 1: Dump trucks, under 6 yds.; Single unit flat rack (2-axle unit); Nipper truck (when flat rack truck is used appropriate flat rack shall apply); Concrete pump truck (when flat rack truck is used appropriate flat rack shall apply); Concrete pump machine; Fork lift and lift jitneys; Fuel and/or grease truck driver or fuel person; Snow buggy; Steam cleaning; Bus or personhaul driver; Escort or pilot car driver; Pickup truck; Teamster oiler/greaser and/or serviceperson; Hook tender (including loading and unloading); Team driver; Tool room attendant (refineries)

GROUP 2: Dump trucks, 6 yds. and under 8 yds.; Transit mixers, through 10 yds.; Water trucks, under 7,000 gals.; Jetting trucks, under 7,000 gals.; Single-unit flat rack (3-axle unit); Highbed heavy duty transport; Scissor truck; Rubber-tired muck car (not self-loaded); Rubber-tired truck jumbo; Winch truck and "A" frame drivers; Combination winch truck with hoist; Road oil truck or bootperson; Buggymobile; Ross, Hyster and similar straddle carriers; Small rubber-tired tractor

GROUP 3: Dump trucks, 8 yds. and including 24 yds.; Transit mixers, over 10 yds.; Water trucks, 7,000 gals. and over; Jetting trucks, 7,000 gals. and over; Vacuum trucks under 7500 gals. Trucks towing tilt bed or flat bed pull trailers; Lowbed heavy duty transport; Heavy duty transport tiller person; Self-propelled street sweeper with

self-contained refuse bin; Boom truck - hydro-lift or Swedish type extension or retracting crane; P.B. or similar type self-loading truck; Tire repairperson; Combination bootperson and road oiler; Dry distribution truck (A bootperson when employed on such equipment, shall receive the rate specified for the classification of road oil trucks or bootperson); Ammonia nitrate distributor, driver and mixer; Snow Go and/or plow

GROUP 4: Dump trucks, over 25 yds. and under 65 yds.; Water pulls - DW 10's, 20's, 21's and other similar equipment when pulling Aqua/pak or water tank trailers; Helicopter pilots (when transporting men and materials); Lowbedk Heavy Duty Transport up to including 7 axles; DW10's, 20's, 21's and other similar Cat type, Terra Cobra, LeTourneau Pulls, Tournorocker, Euclid and similar type equipment when pulling fuel and/or grease tank trailers or other miscellaneous trailers; Vacuum Trucks 7500 gals and over and truck repairman

GROUP 5: Dump trucks, 65 yds. and over; Holland hauler; Low bed Heavy Duty Transport over 7 axles

WELDERS - Receive rate prescribed for craft performing operation to which welding is incidental.

=====
Note: Executive Order (EO) 13706, Establishing Paid Sick Leave for Federal Contractors applies to all contracts subject to the Davis-Bacon Act for which the contract is awarded (and any solicitation was issued) on or after January 1, 2017. If this contract is covered by the EO, the contractor must provide employees with 1 hour of paid sick leave for every 30 hours they work, up to 56 hours of paid sick leave each year. Employees must be permitted to use paid sick leave for their own illness, injury or other health-related needs, including preventive care; to assist a family member (or person who is like family to the employee) who is ill, injured, or has other health-related needs, including preventive care; or for reasons resulting from, or to assist a family member (or person who is like family to the employee) who is a victim of, domestic violence, sexual assault, or stalking. Additional information on contractor requirements and worker protections under the EO is available at www.dol.gov/whd/govcontracts.

Unlisted classifications needed for work not included within the scope of the classifications listed may be added after award only as provided in the labor standards contract clauses (29CFR 5.5 (a) (1) (ii)).

The body of each wage determination lists the classification and wage rates that have been found to be prevailing for the cited type(s) of construction in the area covered by the wage determination. The classifications are listed in alphabetical order of "identifiers" that indicate whether the particular rate is a union rate (current union negotiated rate for local),

a survey rate (weighted average rate) or a union average rate (weighted union average rate).

Union Rate Identifiers

A four letter classification abbreviation identifier enclosed in dotted lines beginning with characters other than "SU" or "UAVG" denotes that the union classification and rate were prevailing for that classification in the survey. Example: PLUM0198-005 07/01/2014. PLUM is an abbreviation identifier of the union which prevailed in the survey for this classification, which in this example would be Plumbers. 0198 indicates the local union number or district council number where applicable, i.e., Plumbers Local 0198. The next number, 005 in the example, is an internal number used in processing the wage determination. 07/01/2014 is the effective date of the most current negotiated rate, which in this example is July 1, 2014.

Union prevailing wage rates are updated to reflect all rate changes in the collective bargaining agreement (CBA) governing this classification and rate.

Survey Rate Identifiers

Classifications listed under the "SU" identifier indicate that no one rate prevailed for this classification in the survey and the published rate is derived by computing a weighted average rate based on all the rates reported in the survey for that classification. As this weighted average rate includes all rates reported in the survey, it may include both union and non-union rates. Example: SULA2012-007 5/13/2014. SU indicates the rates are survey rates based on a weighted average calculation of rates and are not majority rates. LA indicates the State of Louisiana. 2012 is the year of survey on which these classifications and rates are based. The next number, 007 in the example, is an internal number used in producing the wage determination. 5/13/2014 indicates the survey completion date for the classifications and rates under that identifier.

Survey wage rates are not updated and remain in effect until a new survey is conducted.

Union Average Rate Identifiers

Classification(s) listed under the UAVG identifier indicate that no single majority rate prevailed for those classifications; however, 100% of the data reported for the classifications was union data. EXAMPLE: UAVG-OH-0010 08/29/2014. UAVG indicates that the rate is a weighted union average rate. OH indicates the state. The next number, 0010 in the example, is an internal number used in producing the wage determination. 08/29/2014 indicates the survey completion date for the classifications and rates under that identifier.

A UAVG rate will be updated once a year, usually in January of each year, to reflect a weighted average of the current negotiated/CBA rate of the union locals from which the rate is based.

WAGE DETERMINATION APPEALS PROCESS

1.) Has there been an initial decision in the matter? This can be:

- * an existing published wage determination
- * a survey underlying a wage determination
- * a Wage and Hour Division letter setting forth a position on a wage determination matter
- * a conformance (additional classification and rate) ruling

On survey related matters, initial contact, including requests for summaries of surveys, should be with the Wage and Hour Regional Office for the area in which the survey was conducted because those Regional Offices have responsibility for the Davis-Bacon survey program. If the response from this initial contact is not satisfactory, then the process described in 2.) and 3.) should be followed.

With regard to any other matter not yet ripe for the formal process described here, initial contact should be with the Branch of Construction Wage Determinations. Write to:

Branch of Construction Wage Determinations
 Wage and Hour Division
 U.S. Department of Labor
 200 Constitution Avenue, N.W.
 Washington, DC 20210

2.) If the answer to the question in 1.) is yes, then an interested party (those affected by the action) can request review and reconsideration from the Wage and Hour Administrator (See 29 CFR Part 1.8 and 29 CFR Part 7). Write to:

Wage and Hour Administrator
 U.S. Department of Labor
 200 Constitution Avenue, N.W.
 Washington, DC 20210

The request should be accompanied by a full statement of the interested party's position and by any information (wage payment data, project description, area practice material, etc.) that the requestor considers relevant to the issue.

3.) If the decision of the Administrator is not favorable, an interested party may appeal directly to the Administrative Review Board (formerly the Wage Appeals Board). Write to:

Administrative Review Board
 U.S. Department of Labor
 200 Constitution Avenue, N.W.
 Washington, DC 20210

4.) All decisions by the Administrative Review Board are final.

=====

END OF GENERAL DECISION

Airport Road Storm Damage Repair Project
Contract No. PW 18-31120, CIP No 78717

APPENDIX C

CITY OF PLACERVILLE ENCROACHMENT PERMIT

THIS PAGE INTENTIONALLY LEFT BLANK.

Encroachment Permit

City of Placerville
 3101 Center Street
 Placerville, CA 95667
 (530) 642-5250 -FAX (530) 642-5568

<u>APPLICANT</u>		<u>OWNER</u>	
NAME	Chandra Ghimire	NAME	City of Placerville
ADDRESS	2441 Headington Road	ADDRESS	
CITY, STATE	Placerville, CA	CITY, STATE	
ZIP CODE	95667	ZIP CODE	
TELEPHONE NO.	(530) 621-5998	TELEPHONE NO.	
<u>CONTRACTOR</u>			
NAME	TBD	CITY BUSINESS LICENSE NO.	
ADDRESS		OTHER AGENCY PERMITS	
CITY, STATE		STARTING DATE	EST. Late Aug 2018
ZIP CODE		COMPLETION DATE	Late Sept 2018
TELEPHONE NO.			
CONTRACTORS LICENSE NO.		CLASS:	

LOCATION OF WORK: Airport Road within the limits of Placerville Airport

APPLICANT HEREBY APPLIES FOR PERMISSION TO:
 Temporary Detour Sign Installation within the City of Placerville: The County contractor will be placing temporary construction and detour signs including PCMS board along Main Street, Broadway, Mosquito Road, Cedar Ravine Road, Country Club Drive, and Airport Road.

PLEASE NOTIFY ENGINEERING AT LEAST ONE FULL WORKING DAY PRIOR TO START OF PROJECT - 530-642-5250

In consideration of the granting of this Permit and other good and valuable consideration therefore, the undersigned, intending to be legally bound, does hereby, for the undersigned and the heirs, executors, administrators and assigns of the undersigned, agree that Applicant and Permittee shall be responsible for all liability imposed by law for personal injury or property damage proximately caused by failure on Permittee's part to perform his obligations under said Permit in respect to maintenance. If any claim of such liability is made against the City of Placerville, its officers, or employees, Permittee shall defend, indemnify and hold them, and each of them, harmless from such claim. Nothing herein is intended to impose on Permittee any different or higher standard of care than required by law.

Signature of Applicant Chandra Ghimire 3/21/2018

<u>BOND INFORMATION</u>	
SURETY NO. _____	APPROVED BY <u>[Signature]</u> DATE <u>3/21/18</u>
CASH AMT. _____	
RECEIPT NO. _____	FINALED BY _____ DATE _____

FEE: <u>N/A</u> RECEIPT NO: <u>N/A</u>	APPROVAL OF THIS PERMIT IS SUBJECT TO ALL PROVISIONS OF THE ENCROACHMENT PERMIT ORD. AND SUCH SPECIAL PROVISIONS AS ATTACHED HERETO.	PERMIT NUMBER <u>18-09</u>
-------------------------------------------	--------------------------------------------------------------------------------------------------------------------------------------	-------------------------------

X COPY OF STANDARD PERMIT CONDITIONS PROVIDED TO APPLICANT

Table of Contents - Standard Permit Conditions

1. The Permit
2. Notification
3. Working Hours
4. Inspection and Approval by Engineering Division
5. Public Convenience and Signing, Traffic Control
6. Earthwork, Trenching, and Backfill
7. Haul Route
8. Use of City Water
9. Temporary Steel Plate Bridging – Non-skid surface
10. Roadway Surfacing and Base materials
11. Concrete
12. City Sewer Connections
13. City Water Connections
14. Street Lights
15. Signs and Striping
16. Archaeological Resources
17. Care of Drainage systems
18. Trees
19. Tree Removal and Trimming
20. Fugitive Dust and Water Quality Regulations
21. Indemnity
22. Insurance
23. Bonds
24. Completion of the Work
25. Guarantee
26. Protection of existing facilities and Clean-Up

Standard Permit Conditions

City of Placerville, Development Services Department, Engineering Division

1. **The Permit**

The work shall be performed in conformance with the project drawings, the City of Placerville Municipal Code, these Standard Permit Conditions, any special conditions of this encroachment permit, current El Dorado Irrigation District (EID) Standards for water and sewer construction, and the current El Dorado County Design standards for roadways, and the current Caltrans Standard Specifications and Details. Where city standards are referenced herein, refer to the standards listed above. There will be no changes in the work without written permission from the City. The Encroachment Permit or a copy thereof shall be kept at the site of the work and must be shown to any representative of the City of Placerville Engineering Division or any law enforcement officer on demand. **Work may be suspended if permit is not at job site as provided until such time that a valid permit can be verified.**

EID standard details and specifications can be viewed at:

www.eid.org/doing-business-with-eid/design-and-construction-standards

El Dorado County Transportation Division details and specifications can be viewed at:

www.edcgov.us/DOT/Apps.aspx

Caltrans standard details and specifications can be viewed at:

www.dot.ca.gov/hq/esc/oe/construction-contract-standards

Permittee/s agree to uphold all Standard Conditions and attached Special conditions listed or incorporated herein. Deviation from any condition listed may result in revocation of this permit at the discretion of the City Engineer/designee.

2. **Notification**

The Permittee shall notify the City Engineering Division at least one full working day prior to the following:

- A. Initial start of work 530-642-5250
- B. Restarting work when work has been interrupted 530-642-5250
- C. Any Paving, so that final compaction tests can be scheduled 530-642-5250
- D. Any work within 500 feet of one of the city's two signalized intersections, Placerville Drive at Cold Springs Rd. or Placerville Drive at Ray Lawyer/Green Valley Rd. requires 5 working days notice. 530- 642-5250. Any work within 500 feet of any other signalized intersection requires Caltrans notification and may require an encroachment permit from them. Caltrans can be notified by calling 530-741-4403
- E. Per Section 4216/4217 of the California Government Code, the Contractor is required to contact "Underground Service Alert" to obtain a "Dig Alert Identification Number" no less than two working days prior to any excavation activities. Call TOLL FREE 1-800-422-4133. This permit is not valid without a Dig Alert Identification Number.
- F. The local Police Department and Fire Departments shall be notified by Permittee's 24 hours prior to the start of hauling operations or street closures at Police 530-642-5210 / Fire 530-644-9630

G. If the scope of work results in any significant impact to existing homes or businesses, the permittee may be required to pass out fliers to that effect.

3. Working Hours

Hours shall be between 7 am and 5 pm Monday through Friday, except lane closures will only be permitted with proper traffic control and public noticing between 9 am and 4 pm. Monday through Friday, unless otherwise indicated herein. Weekend and/or holiday work will require prior approval.

4. Inspection and Approval by Engineering Division

All work will be subject to inspection and approval by the City Engineering Division. The permittee shall notify the City of Placerville Engineering Division when the work has been completed so that a final inspection can be performed. A Pre-Construction meeting may be needed as determined by the Engineering Inspector. The Permittee will pay applicable permit fees, including administration, plan check, and inspection fees, as shown in the encroachment permit fee chart prior to issuance of permit. If Time and Materials deposits are required the applicant acknowledges that the deposit is an estimate only, and that if the City's cost exceeds the deposit, the applicant shall make additional payments as necessary to maintain a positive account balance.

5. Public Convenience and Signing, Traffic Control

The permittee, or Permittee's Contractor, shall place warning signs and devices and take other safety measures as necessary, including flagmen, to warn persons of the excavation, obstruction and equipment operations to prevent injury to persons or damage to property. The use of flagmen, barricades and construction signing shall conform to the California Manual of Uniform Traffic Control Devices for Streets and Highways (FHWA's MUTCD current edition, as amended for use in California). Traffic control measures and working hours will be assessed on a case –by–case basis. In worst case areas with heavy traffic, no work will be allowed during commute or other busy times. A traffic control plan may be required before starting work. If, after work starts, traffic control measures are not satisfactory for existing traffic conditions, then revisions will be necessary.

Weather or other causes, either within or beyond the control of the permittee, may force delay of the work that shall in no way relieve the Permittee of their responsibility for maintain traffic through the project and providing local access as specified herein. At all times there shall be kept on the job such material, force, and equipment as may be necessary to keep roads, shoulders, bike lanes, pedestrian facilities and driveways within the project area open to traffic and in good repair, and shall expedite the passage of traffic using such force and equipment as may be necessary. Traffic includes pedestrian, bicycle, and other non-motorized vehicle traffic as well. Where traffic cones or delineators are used to delineate a temporary edge of traffic lane, the line of cones or delineators shall be considered to be the edge of traffic lane; however, the width of an existing lane shall not be reduced to less than 11' without written permission from the City Engineering Division. Access to all businesses and/or residences shall be provided at all times or as coordinated with the property owner(s) involved. The work shall be performed in an expeditious manner so as to cause as little inconvenience to the traveling public as possible. A free and clear travel way shall be maintained for any and all emergency vehicles. Private driveways may only be closed between 8 AM and 4 PM and all private driveway closures must be coordinated with residents to allow for reasonable resident use of the driveway during construction. Driveways shall be open for use at night and during other periods when work is

not in progress. Commercial driveways shall not be closed during business hours. Road closures, if allowed, require prior City Council approval per city code.

6. Earthwork, Trenching, and Backfill

- A. Where an excavation consists of trenching parallel to the centerline of the road, the total length of open trench shall not exceed 100 feet at any time. All open trenches crossing the travel way or running parallel within six feet of the edge of pavement must be backfilled and temporarily patched at the end of each work day. All other open excavations shall be backfilled or protected with chain link fence and covered at the end of each work day. Steel plate bridging is required over open trenches in private driveways during working hours.
- B. All trenches over 5' in depth must be shored and comply with CAL-OSHA standards.
- C. Facilities installed under this Permit shall have a minimum separation of one foot from drainage culverts and other utilities, unless greater separation is required by the adjacent utility company facility.
- D. Backfill and compaction of trench must immediately follow the placement of the utility. Testing will be performed by the Permittee with results supplied to the City Inspector. Not more than 300 feet of trench may be backfilled without passing compaction tests.
- E. Excavations under the pavement are to be backfilled with controlled low strength material (CLSM), two sack slurry, or AB compacted to 95%.
- F. Backfill within City Right of way, off pavement, shall be compacted to 90% minimum.
- G. Backfill within City Right of way, in the drivable shoulder area, shall be AB compacted to 95% minimum.
- H. Controlled low strength material shall consist of a workable mixture of aggregate, cementitious materials and water, and shall conform to the provisions in Section 19-3, Structure Excavation and Backfill, of the Standard Specifications and these special provisions.
When controlled low strength material is used for structure backfill, the width of the excavation shown on the plans may be reduced so that the clear distance between the outside of the pipe and the side of the excavation, on each side of the pipe, is a minimum of 12". This minimum may be reduced to 6" when either the height of cover is less than 20' or the pipe diameter or span is less than 3.5'. Controlled low strength material in new construction shall not be permanently placed higher than the basement soil. For trenches in existing pavements, permanent placement shall be no higher than the bottom of any existing pavement permeable drainage layer. If a drainage layer does not exist, permanent placement in existing pavements shall be no higher than 1' below the bottom of the existing asphalt concrete, or no higher than the top of base below the existing Portland cement concrete pavements.
- I. Unpaved shoulders shall be returned to a firm, stable condition, and the disturbed area surfaced with a layer of AB or crushed rock.
- J. Structure backfill for all manholes in streets shall conform to the current Caltrans Standard Specifications for grading, S.E., and compaction (95%). The backfill shall be checked for compliance and compaction tests taken every 2-3 feet vertically.
- K. All areas where apparent water pumping or seepage exists due to disruption of subsurface conditions encountered during excavating in the City right of way shall be addressed and corrected by means of an approved subsurface drainage system.

7. Haul Route

Import/Export of all materials for the project shall follow a specific haul route and operate between the hours of 9 am and 4 pm Monday through Friday. The Contractor shall submit a plan indicating the intended haul route from the place of origin, including the number and types of trucks to be used. The City Engineer will review and approve the haul route prior to the start of any hauling operations. All loads must be covered to mitigate dust generation.

8. Use of City Water

To obtain water for construction from City of Placerville Water System Fire Hydrants, contact City Utility Billing in the City Finance Department, 1st Floor City Hall. They will collect contact information and a deposit, then will send the applicant to the Corporation Yard on Big Cut Road to pick up the construction meter. This process will be reversed at the end of the water meter usage, with the meter being read when returned to the Corporation Yard and then final payment or refund being completed at the Finance Department.

9. Temporary Steel Plate Bridging – Non-skid surface

When backfilling operations of an excavation in the traveled way, whether transverse or longitudinal, cannot be properly completed within a work day, steel plate bridging with a non-skid surface and shoring may be required to open the road to public traffic. In such cases, the following conditions shall apply;

- A. Steel plates may only be utilized when parallel or perpendicular to the travel way.
- B. Steel plates, in the roadway, must have the name and 24-hour emergency telephone number of the contractor responsible for maintaining the plates stenciled on the roadway pavement adjacent to the plates. Painted text must be in white lettering using chalk-based paint. The text must be neatly stenciled lettering, a minimum 3-inches in height, and must be maintained in legible condition for the duration of plate placement.
- C. Steel plate bridging shall be installed to operate with minimum noise.
- D. The length of a series of plates running parallel to traffic wheel paths must not exceed 30 feet unless approved in writing by the City or noted in the TCP, and plates shall be tack welded together.
- E. Signing and warning devices are required. Flashing barricades, “Bump” (W8-1) signs, and reflective cones shall be required depending on the location of the project.
- F. Whenever steel plates are used to cover an excavation where the related work is to take place less than 2 weeks, they may be placed on top of the asphalt with transitional ramps of MC250 asphalt mix against the vertical edges of the plates. Ramping must be accomplished to provide a minimum angle of approach of 12 to 1, providing a smooth, gradual transition between the pavement and the plate. Steel plates must be anchored to the roadway surface with pins or spikes on the 4 outermost corners. Additional pins must be placed as necessary to assure the steel plates are secured. Pins must be installed such that they do not protrude above the plate surface any more than is necessary to anchor the plate and must not create a hazard for the motoring or pedestrian public. Steel plates used for bridging must extend a minimum of 18” beyond the edges of the trench, but no more than 30 inches on all sides. Corners of steel plates must not protrude into the travelled way creating a hazard to motorists, bicyclists, or pedestrians.

- G. Whenever steel plates are used to cover an excavation where the related work is to take place longer than 2 weeks, plates shall be recessed into the surrounding pavement by cold planning to a depth equal to the thickness of the plate and to a width and length equal to the dimensions of the plate. Temporary paving shall be placed around the recessed steel plate bridging if ordered by the City Engineer.
- H. The Contractor is responsible for damages or injuries that occur as a result of the plates being in the roadway. Unless specifically noted in the provisions of the Permit, steel plate bridging shall not exceed four (4) consecutive working days in any given week. Prior to opening the roadway to public traffic, excavations shall be covered with a minimum 3" temporary paving.

Minimal thickness of steel plate bridging shall is shown in the following table:

Trench Width	Minimum Plate Thickness
1.0'	½"
1.5'	¾"
2.0'	7/8"
2.5'	1"
3.0'	1 ¼"

For spans greater than four (4) feet, a structural design shall be prepared by a registered Civil Engineer. Steel plate bridging shall be steel plate designed for HS20-44 truck loading per Caltrans Bridge Design Specifications Manual. The Permittee shall maintain on the steel plate a non-skid surface having a minimum coefficient of friction equivalent to 0.35, as determined by California Test Method 342.

10. Roadway Surfacing and Base Materials

The City of Placerville prohibits sawcuts or excavations in newly constructed or overlaid roadways for a period of 3 years. In circumstances such as emergency repair work where no other feasible options exist, the City Engineer may grant a waiver to this restriction. If a waiver is granted, the applicant must be prepared to meet more stringent restoration requirements than those listed in these Standard Permit Conditions.

When the Permit authorizes sawcuts or excavations, surface restoration, backfill and base material type, thickness, and compaction thereof shall comply with the City of Placerville Standard Trench-Backfill Detail, Asphalt Concrete Trench Restoration Detail, or as specified in the Permit. Temporary pavement shall be placed and maintained upon completion of backfill until permanent paving is performed. Temporary paving shall be maintained to a smooth surface with hot mix asphalt concrete on collector roadways and cold mix on minor roadways. Temporary paving shall be placed and maintained in a smooth riding plane, free of humps or depressions suitable for pedestrian, bicycle, and vehicle traffic. The words "TEMPORARY PAVING" shall be stenciled on the temporary pavement at the beginning, ending, and along the length of the temporary paving at maximum intervals of 500 feet. The painted text must be in white, neatly stenciled lettering, a minimum 5 inches in height, and must be maintained in legible condition until final paving is complete. Thickness of new pavement sections shall conform to City of Placerville Asphalt Concrete Trench Restoration Detail. For pavement that was constructed or overlaid within 3 to 5 years or having a PCI ≥60, a 1-1/2 inch minimum grind (Mat Grind)

is required from lane line to lane line or edge of pavement/lip of gutter, and overlaid with asphalt concrete. All exposed edges of existing paving shall be primed with an asphalt binder prior to placement of paving. Any damage to existing adjacent pavements caused by construction activity will require repair or AC overlay as determined by the City Engineer. Prior to permanent paving, the trench area to be paved shall be cut or cold planed to neat straight lines. The cut lines shall exceed the excavated trench width by a minimum of 8 inches (T-Cut) on each side. Finish pavement surfacing shall have a straight uniform appearance without numerous jogs and placed level with the adjacent paving after compaction. If new surfacing is too high, it shall be cold planed to grade, and a Type 2 slurry seal applied. If new surfacing is too low, it shall be removed and repaved.

11. Concrete

All concrete work shall be per El Dorado County standard plans and specifications for sidewalks, curbs, gutters, driveways, and miscellaneous concrete work. In general all new concrete for surfaces that will be exposed shall be 6 sack mix with ¾ lb. of lampblack added per cubic yard. At times the city inspector or the permit language may specify different quantities of lampblack to better match adjacent existing concrete surfaces.

12. City Sewer Connections

All work on sewer systems shall be completed in accordance with “Connection to City Sewer System – Policy and Procedures 2016” (insert link),

13. City Water Connections

Properties within the City limits are served by either El Dorado Irrigation District (EID) or the City of Placerville Water System depending on their location. Attached is the link for the Water Service Boundary Map: (insert link)

For work within EID system boundaries contact EID at eid.org, visit their offices at 2890 Mosquito Rd., Placerville, Ca. 95667, or phone 530-622-4513. All work on City of Placerville water system services shall be completed in accordance with “Connection to City Water System – Policy and Procedures 2016” (insert link)

14. Street Lights

The City’s color for streetlights and signal poles is Federal Color Code 34092, gloss finish. This is a dark army green color matching many of the poles in downtown and along Hwy 50.

15. Signs and Striping

Permittee shall be responsible for installing roadway striping to all areas disturbed by the project to current City standards. This includes adjacent areas where striping or pavement markings as damaged by the work. All thermoplastic striping and markings shall be replaced with thermoplastic, and all pavement markers shall be replaced in-kind.

16. Archaeological Resources

The Permittee/s shall cease work in the vicinity of any archaeological resources that are revealed. The City Engineer shall be notified immediately. A qualified archaeologist, retained by the permittee, will

evaluate the situation and make recommendations to the City Engineer concerning the continuation of the work.

17. Care of Drainage systems

The Permittee/s shall be responsible for maintaining and controlling all drainage to and from the site. Control of surface waters shall be such that existing drainage patterns are not disturbed or altered to increase the amount and/or intensity of runoff water and silt to adjacent private properties, City right-of-way and existing drainage structures. Maintenance of drainage facilities which directly serve the site are the responsibility of the permittee until such time as all engineering improvements are in place and approved by the city. Roadside ditches, cross culverts, and other drainage facilities pertinent to City Streets shall be protected from damage. Those facilities disturbed or damaged shall be returned to their original conditions or replaced to the satisfaction of the City Engineering Inspector. Facilities under or below ditches shall have a minimum cover of 18" from top of pipe to bottom of ditch draining the road.

18. Trees

Any underground work within the drip line of any trees on City right of way or easement shall conform to the following requirements:

- No trees shall be removed unless specifically authorized by the City
- No roots over two inches in diameter shall be cut
- Hand trenching and tunneling will be required when excavation exposes roots two inches in diameter or larger
- Roots two inches in diameter or larger which are exposed to the air shall be kept moist
- Roots two inches in diameter or larger which are accidentally damaged shall be treated with material approved by the City Engineering Division.
- If roots two inches in diameter or larger are cut or broken, the tree shall be trimmed to compensate for the decreased root system. Such trimming shall be done to the satisfaction of the City Engineering Division.
- Manholes or boring pits shall not be installed within 20 feet of any tree trunk.

19. Tree Removal and Trimming

- Job plans should be submitted for tree removal/trimming contracts that are not for routine maintenance
- The City Engineering Division is to be notified 24 hours in advance of any tree trimming or removal. Notification is to include the name of the tree contractor.
- Trees are not to be felled on City streets.
- Stumps that are a hazard for public traffic and snow removal operations will be ground to six inches below grade. Other stumps are to be cut flush with ground.
- All debris from tree trimming and cutting shall be removed from the City right of way and disposed of by the permittee.
- Logs, limbs, poles, etc., shall be located so as to not infringe upon sight distance or present a roadside obstruction and be removed from drainage ditches at the end of each work day.

20. Fugitive Dust and Water Quality Regulations

County, State and Federal air and water quality regulations shall be strictly adhered to.

- **Fugitive Dust and Asbestos Dust Controls**

Fugitive and asbestos dust shall be mitigated in accordance with El Dorado air Quality Management district (AQMD) Rule 223-1, fugitive Dust – Construction Requirements and/or Rule 223-2, Fugitive Dust – Asbestos hazard mitigation.

The Permittee shall be responsible for checking and following the most current procedures and regulations of the AZMD prior to beginning project. These are available at:

www.edcgov.us/airqualitymanagement

Fugitive Dust and/or Asbestos Dust Mitigation Plans if required by AZMD's Construction Project Applicability flow Chart must be approved by AZMD and submitted to the County Transportation Division prior to beginning project.

If no Fugitive Dust Plan is required by the AZMD's Construction Project Applicability flow Chart, the project must still comply with the provisions of AZMD's Rule 223-1.

- **Storm Water Quality Controls**

Permittee shall comply with the State of California Water Resources Control Board's (SWRCB) rules, regulations, policies and orders as applicable to the project.

Permittee shall provide a Storm Water Pollution Prevention Plan (SWPPP) to the County upon request if required by the SWRCB.

Permittee shall provide a Qualified SWPPP Developer (QSD) and a Qualified SWPPP Practitioner (QSP) if required by the SWRCB. Permittee shall comply with the Storm Water Management Plan for the City of Placerville and the City Grading, Erosion and Sediment Control Ordinance.

For projects that do not require a permit from the SWRCB, Permittee shall implement Best Management Practices for Erosion and Sediment Control to reduce or eliminate discharge of sediments and other pollutants to any natural or man-made drainage course.

For projects that do not require a permit from the SWRCB, erosion and sediment control measures are to be in place prior to any storm event, and in place and in operable condition by October 15. Site inspections must be conducted by the Permittee before and after each storm event to identify areas that contribute to erosion and sediment problems or any other pollutant discharges. During each inspection, determine if additional Best Management practices are needed and implement those practices as soon as possible. Maintenance and repair of control measures shall be routinely conducted. The Permittee shall be responsible for fines, penalties, and damages, whether proposed, assessed, or levied against the Permittee or Contractor, or the City (including employees, agents and assigns of the City), including those levied under the Federal Clean Water Act and the State Porter-Cologne Water Quality Act, by governmental agencies or as a result of citizen suits. Penalties shall also include payments made or costs incurred in settlement for alleged violations of the Federal, State or County laws. Cost incurred include sums spend in lieu of penalties, such as settlement agreements, mitigation or remediation. Permittee shall complete re-vegetation and stabilization of all disturbed soils, both within and outside of City right of way, as required by the City.

Permittee is required to comply with Section 404 of the clean Water Act regulating dredging and filling of Waters of the U.S. and shall provide evidence of such to the City upon demand.

Permittee is required to comply with Section 1600 of the State of California fish and Wildlife Code regulating work in streambeds and shall provide evidence of such to the City Engineering Division upon demand.

21. Indemnity

Permittee/s shall defend, indemnify and save harmless the City, its officers, agents and employees from any and all claims, demands, damages, costs, expenses (including attorney's fees), judgments or liabilities arising out of the Agreement or occasioned by the performance or attempted performance of the provisions hereof: including, but not limited to, any act or omission to act on the part of the or his agents or employees or other independent directly responsible to him; except those claims, demands, damages, costs, expenses (including attorney's fees), judgements or liabilities resulting solely from the negligence or willful misconduct of the City. (Current language above applicant signature line current permit form): In consideration of the granting of this Permit and other good and valuable consideration therefore, the undersigned, intending to be legally bound, does hereby, for the undersigned and the heirs, executors, administrators and assigns of the undersigned, agree that Applicant and Permittee shall be responsible for all liability imposed by law for personal injury or property damage proximately caused by failure on Permittee's part to perform his obligations under said permit in respect to maintenance. If any claim of such liability is made against the City of Placerville, its officers, or employees, Permittee shall defend, indemnify and hold them, and each of them, harmless from such claim. Nothing herein is intended to impose on Permittee any different or higher standard of care than required by law.

22. Insurance

Permittee/s shall name the City as additional insured on a separate endorsement (ISO form CG 2012 or equivalent) in an amount not less than \$1,000,000 per occurrence for vehicular and bodily injury claims with an insurance company having a Best's rating of "B+" or better, and a 30 day cancellation notification policy. Permittee's shall notify the City immediately in the event of any accident or injury arising out of or in connection with this permit.

23. Bonds

A Surety Bond in the amount of the estimated cost of the work plus twenty percent (20%) is required unless specifically waived in the permit. City Code 8-3-3 contains specifics on types and amounts of bonds, annual bonds, cash bonds, exclusions, etc. Additional bond amounts may also be required if the bond amount is determined to be insufficient to cover the work.

24. Completion of the Work

All work under this permit must be completed within ninety (90) days of the permit issuance, unless additional time is granted on the permit. Prior to final clearance of this permit, any outstanding plan check and inspection fees shall be paid. Permittee continues to be responsible for all activity under this permit until final clearance and inspection is performed and/or signed off below. This permit may be revoked or canceled without cause at any time by the City Engineer or his/her designee. Upon written cancellation or revocation of this permit for any cause, permittee shall promptly restore the City right of way and/or site conditions to their pre-existing state, and then vacate such premises. If the Permittee/s fails to provide services and/or equipment necessary to fulfill permit conditions, the City

Engineer shall have the authority to have the work performed by others at the expense of the Permittee/s. Permittee/s shall notify the City Engineer or their designee when work is completed. This permit is not completed until signed off by the City Engineer/designee and all outstanding fees are paid in full.

25. Guarantee

Improvements constructed under this permit shall be guaranteed for a period of one (1) year from the permit clearance date.

26. Protection of existing facilities and Clean-Up

The Permittee/s shall be responsible for protecting all existing City infrastructure or improvements and shall replace or repair, at their own expense, any improvements damaged during the course of construction. Permittee/s shall be responsible for protecting all survey monuments in place and resetting of any disturbed monuments by a licensed land surveyor as required by state law. All surface markings (such as markings of underground utility locations) and survey markings shall be masked (painted out black or white to match the surface finish color) as part of the final clean up. Upon completion of the work, all debris and material shall be entirely removed and the right of way left in a presentable condition as before work started.



STANDARD TRENCH-BACKFILL DETAIL CROSS-SECTIONS

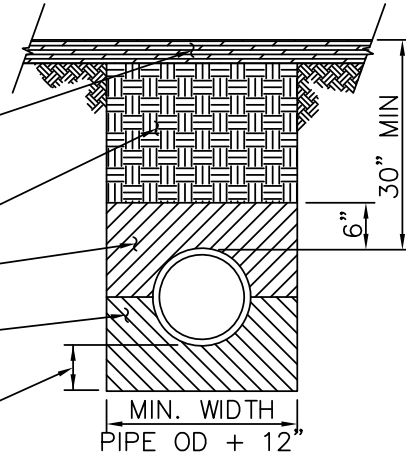
REPLACEMENT SECTION PER
ENCROACHMENT PERMIT REQUIREMENTS
SEE NOTE 2

INTERMEDIATE BACKFILL 95% COMPACTION

INITIAL BACKFILL 95% COMPACTION

PIPE BEDDING - SAND OR
CLEAN CRUSHED ROCK

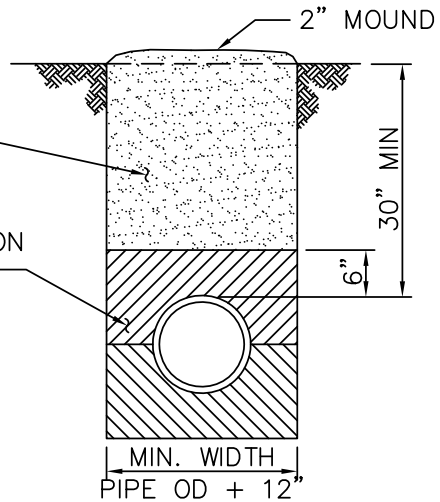
EXCAVATE 6" BELOW PIPE IN ROCK,
3" OTHERWISE.



LOCATED IN STREETS

NATIVE MATERIAL 90% COMPACTION

INITIAL BACKFILL, PIPE BEDDING & EXCAVATION
BELOW PIPE IDENTICAL TO DETAIL ABOVE.



LOCATED IN EASEMENTS

NOTES

1. PLACE 4-INCHES OF AC ON MINOR ROADS, AND PLACE 6-INCHES OF AC ON COLLECTORS AND ARTERIALS.
2. AC RESTORATION SHALL CONFORM TO STANDARD DRAWING FOR ASPHALT CONCRETE TRENCH RESTORATION.

SS-TRENCH

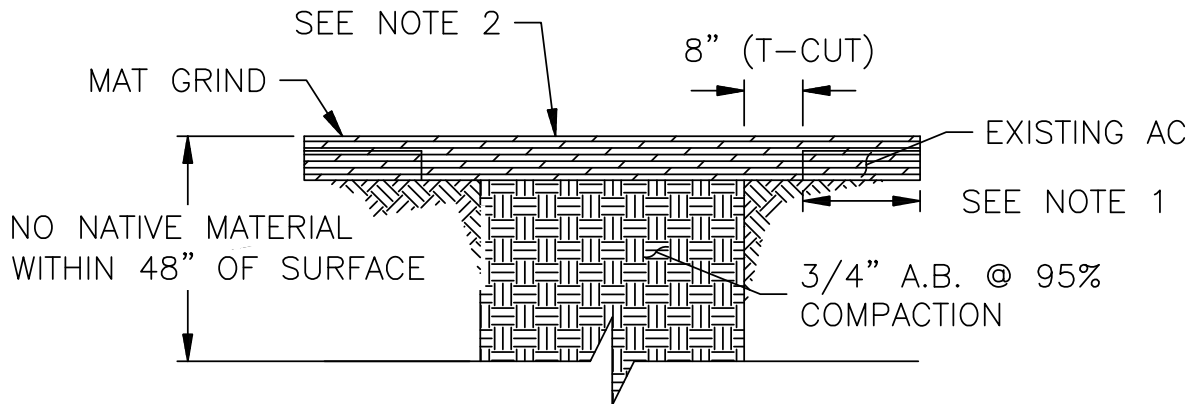
111003:1505

City of Placerville

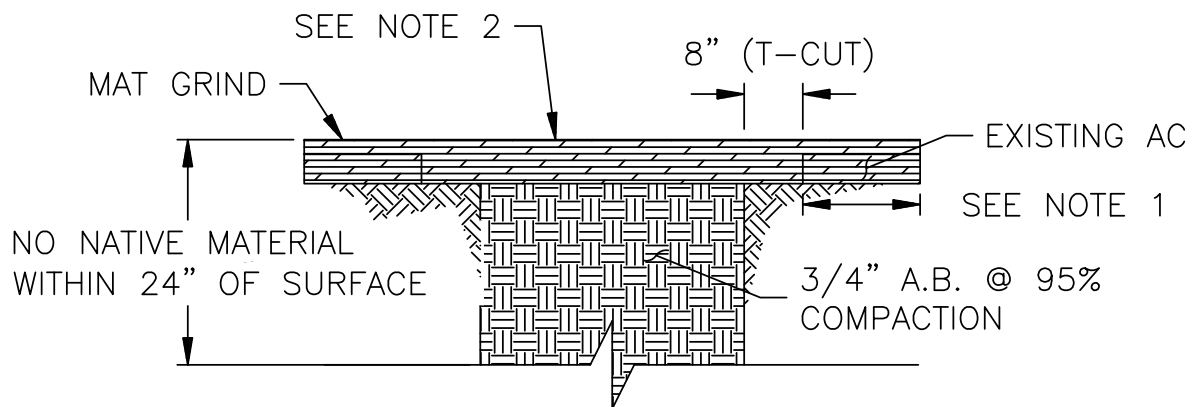


ASPHALT CONCRETE TRENCH RESTORATION CROSS-SECTIONS

SHALLOW TRENCH (<4' COVER)



DEEP TRENCH (>4' COVER)



NOTES

1. 1-1/2" DEEP GRIND (MAT GRIND) FROM LIP OF GUTTER TO LANE LINE, OR CENTER OF TRAFFIC LANE ON MINOR STREETS (12" MIN WIDTH). REQUIRED FOR ALL PAVEMENT BETWEEN THREE AND FIVE YEARS OLD, OR HAVING A PCI VALUE ≥ 60.
2. 6" MINIMUM THICKNESS ON MAJOR STREETS AND 4" MINIMUM ON MINOR STREETS.

AC-RESTORATION
XXXXXXXXXXXX

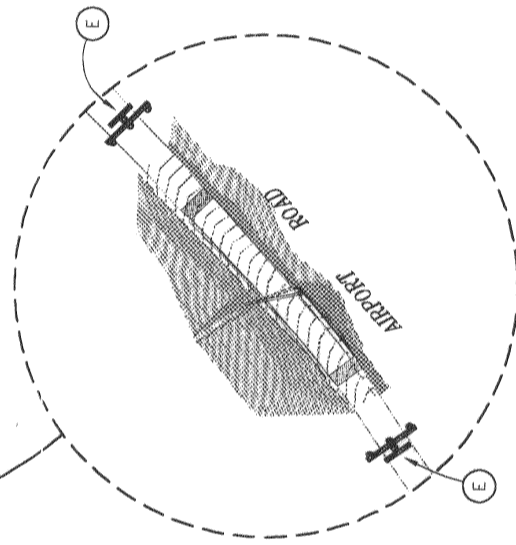
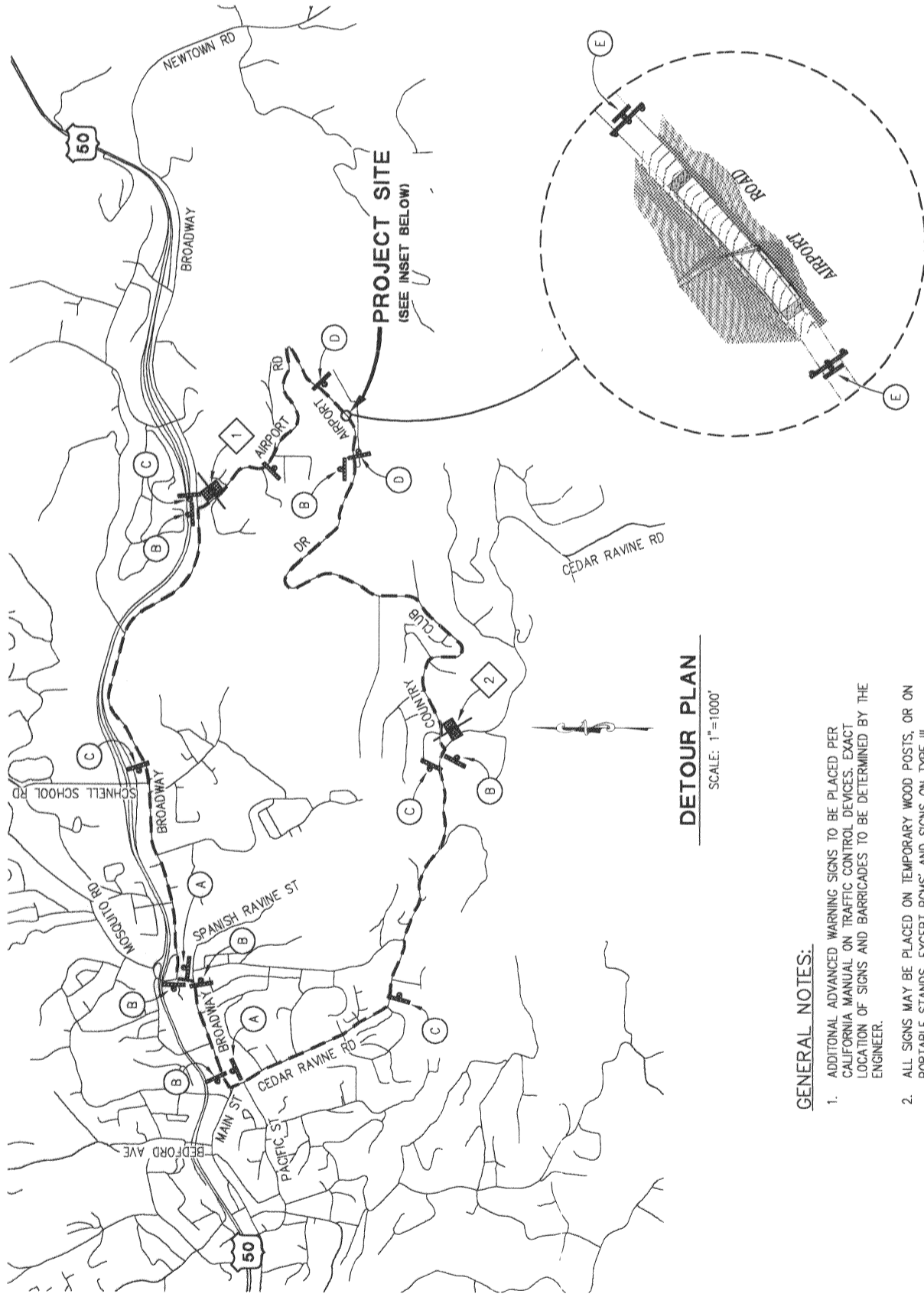
City of Placerville

PCMS No.	FIRST FLASH	SECOND FLASH	THIRD FLASH
1	AIRPORT ROAD CLOSED	1 MILE AHEAD	USE DETOUR
2	AIRPORT ROAD CLOSED	1.5 MILE AHEAD	USE DETOUR

LEGEND

- DETAOUR ROUTE
- PCMS - PORTABLE CHANGEABLE MESSAGE SIGN
- TEMPORARY SIGN
- TYPE III BARRICADE(S) W/ FLASHING BEACON

- (A) M4-9 SIGN, BLACK LETTERING ON ORANGE BACKGROUND (ARROW FACING RIGHT)
- (B) M4-9 SIGN, BLACK LETTERING ON ORANGE BACKGROUND (ARROW FACING LEFT)
- (C) M4-9 SIGN, BLACK LETTERING ON ORANGE BACKGROUND (ARROW FACING UP)
- (D) R11-2 SIGN WITH C29(CA), BLACK LETTERING ON ORANGE BACKGROUND
- (E) R11-2 SIGN, BLACK LETTERING ON ORANGE BACKGROUND, MOUNTED ON TYPE III BARRICADE W/FLASHING BEACON



DETOUR PLAN

SCALE: 1"=1000'

GENERAL NOTES:

- ADDITIONAL ADVANCED WARNING SIGNS TO BE PLACED PER CALIFORNIA MANUAL ON TRAFFIC CONTROL DEVICES. EXACT LOCATION OF SIGNS AND BARRICADES TO BE DETERMINED BY THE ENGINEER.
- ALL SIGNS MAY BE PLACED ON TEMPORARY WOOD POSTS, OR ON PORTABLE STANDS, EXCEPT PCMS' AND SIGNS ON TYPE III BARRICADES.
- LIMITS OF CLOSURE SHOWN ARE APPROXIMATE.
- CONTRACTOR MUST MAINTAIN ACCESS TO ALL DRIVEWAYS DURING CONSTRUCTION.

FOR REDUCED PLANS

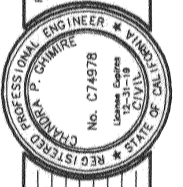
DETOUR PLAN
 SCALE : AS SHOWN

AIRPORT ROAD STORM
 DAMAGE REPAIR PROJECT

COUNTY OF EL DORADO
 DEPARTMENT OF TRANSPORTATION



PREPARED UNDER THE SUPERVISION OF :
 REGISTERED CIVIL ENGINEER
 DATE:



REVISION	NUMBER	DATE	DESCRIPTION	BY

DESIGNED: MP
 DRAWN: SCM
 CHECKED: CG
 DATE: 05/19/18
 ROAD NUMBER: 131

SHEET DE-1
 9 OF 9
 W.O. No. 78717

Drawing name: C:\Civil 3D Projects\78717 Airport Road Damage\CADD Files\Sheets\DE-1 Sheets.dwg Layout Top: DE-1 Mar 19 2018 - 6:34am SbcVey

THIS PAGE INTENTIONALLY LEFT BLANK.

Airport Road Storm Damage Repair Project
Contract No. PW 18-31120, CIP No 78717

AGREEMENT (DRAFT)

THIS PAGE INTENTIONALLY LEFT BLANK.

**County of El Dorado, State of California
Community Development Services
Department of Transportation**

PW No. 18-31120, CIP No. 78717, Contract #2811

AIRPORT ROAD STORM DAMAGE REPAIR PROJECT

THIS AGREEMENT ("Agreement") approved by the Chief Administrative Officer and Director of the Department of Transportation this 15th day of May, in the year of 2018, made and concluded, in duplicate, between the COUNTY OF EL DORADO, a political subdivision of the State of California, by the Community Development Services Department of Transportation thereof, the party of the first part hereinafter called "County," and [CONTRACTOR], party of the second part hereinafter called "Contractor."

RECITALS:

WHEREAS, County has caused the above-captioned project to be let to formal bidding process; and

WHEREAS, Contractor has duly submitted a bid response for the captioned project upon which County has awarded this Contract;

NOW, THEREFORE, the parties hereto have mutually covenanted and agreed, and by these presents do covenant and agree, each with the other, as follows:

Article 1. THE WORK

The improvement contemplated in the performance of this Contract is an improvement over which the County shall exercise general supervision. The County, therefore, shall have the right to assume full and direct control over this Contract whenever the County, at its sole discretion, shall determine that its responsibility is so required.

Contractor shall complete the Work as specified or indicated under the Bid Schedule(s) of County's Contract Documents entitled:

AIRPORTF ROAD STORM DAMAGE REPAIR PROJECT

The Project is located in County of El Dorado. The Work to be done is shown on the Plans, described in the Special Provisions and generally consists of, but is not limited to:

The Work to be performed includes tree removal, slide debris removal including fallen trees, clearing and grubbing, culvert excavation, removal of an existing 18" corrugated metal pipe under Airport Road, installation of a new 18" reinforced concrete pipe, installation of underdrain system and permeable material, structure backfill, installation of rock slope protection, roadway excavation, installation of drainage inlet, installation of rolled erosion control product, placement of a new structural section, asphalt dike, asphalt paving for roadway and gutter, and striping work. The roadway will be closed for the duration of this Project with a detour in place. Other items or details not mentioned above, that are required by the Contract Plans, Standard Plans, Standard Specifications, or these Special Provisions must be performed, constructed or installed.

Article 2. CONTRACT DOCUMENTS

The Contract Documents consist of: the Notice to Bidders; the bid forms which include the accepted Proposal, Bid Price Schedule and Total Bid, Subcontractor List, DBE Information, Equal Employment

Airport Road Storm Damage RepairProject
PW No. 18-31120, CIP No 78717
May 15, 2018

County of El Dorado
Agreement
C-1

Opportunity Certification, Section 10285.1 Statement, Section 10162 Questionnaire, Section 10232 Statement, Noncollusion Affidavit, Iran Contracting Act Certification, Debarment, Suspension, Ineligibility, and Voluntary Exclusion Certification, Non-lobbying Certification for Federal-Aid Contracts, Disclosure of Lobbying Activities (Standard Form LLL), Opt Out of Payment Adjustments for Price Index Fluctuation form, if elected, CA Form 590 Form, Payee Data Record, Form FHWA 1273; the Contract which includes this Agreement with all Exhibits thereto, including the Fair Employment Practices Addendum and the Nondiscrimination Assurances, the Performance Bond, and Payment Bond, the Exhibit 15-G Construction Contract DBE Commitment form, Exhibit 15-H DBE Information Good Faith Efforts form; the drawings listed and identified as the Project Plans; the Special Provisions which incorporate by reference the State of California Department of Transportation (Caltrans) Standard Plans 2015, and Standard Specifications 2015, Revised Standard Specifications, and standard drawings from the Design and Improvement Standards Manual of the County of El Dorado, revised March 8, 1994 including Resolution 199-91 and Resolution 58-94 to adopt changes to the Design and Improvement Standards Manual; all Addenda incorporated in those documents before their execution, and all Contract Change Orders issued in accordance with the Contract Documents which may be delivered or issued after the Effective Date of this Agreement and are not attached hereto; the prevailing Labor Surcharge And Equipment Rental Rates (when required) as determined by the Caltrans to be in effect on the date the Work is accomplished; all the obligations of County and of Contractor which are fully set forth and described therein; and all Contract Documents which are hereby specifically referred to and by such reference made a part hereof. All Contract Documents are intended to cooperate so that any Work called for in one and not mentioned in the other is to be executed the same as if mentioned in all Contract Documents. Contractor agrees to perform all of its promises, covenants, and conditions set forth in the Contract Documents, and to abide by and perform all terms and conditions set forth therein. In case of conflict between this Agreement and any other Contract Document, this Agreement shall take precedence.

Article 3. COVENANTS AND CONTRACT PRICE

County hereby promises and agrees with said Contractor to employ, and does hereby employ, said Contractor to provide the material and to do the Work according to the terms and conditions of the Contract Documents herein contained and referred to, for the prices hereinafter set forth, and hereby contracts to pay the same at the time, in the manner and upon the conditions herein set forth; and the said parties for themselves, their heirs, executors, administrators, successors and assigns, do hereby agree to the full performance of the covenants herein contained. County shall pay Contractor for the completion of the Work in accordance with the Contract Documents in current funds the Contract Prices named in Contractor's Bid and Bid Price Schedule, a copy of which is attached hereto as Exhibit A.

Article 4. COMMENCEMENT AND COMPLETION

The Work to be performed under this Contract shall commence on the date specified in the Notice to Proceed issued by County, and the Work shall be fully completed within the time specified in the Notice to Proceed pursuant to Section 8 of the Special Provisions.

County and Contractor recognize that time is of the essence of the Agreement and that County will suffer financial loss if the Work is not completed within the time specified in the Notice to Bidders annexed hereto, plus any extensions thereof allowed in accordance with Section 8 of the Standard Specifications and Special Provisions. They also recognize the delays, expense, and difficulties involved with proving in a legal proceeding the actual loss suffered by County if the Work is not completed on time. Accordingly, instead of requiring any such proof, County and Contractor agree that as liquidated damages for delay (but not as a penalty) Contractor shall pay County the sum of **\$3,500**, as liquidated damages and not as a penalty, for each and every calendar day's delay in finishing the Work in excess of the Contract time prescribed herein.

Article 5. INDEMNITY

Contractor is, and shall be at all times, deemed independent and shall be wholly responsible for the manner in which it performs services required by terms of this Agreement. Contractor exclusively assumes

responsibility for acts of its employees, associates, and subcontractors, if any are authorized herein, as they relate to services to be provided under this Agreement during the course and scope of their employment.

To the fullest extent allowed by law, Contractor shall defend, indemnify, and hold County, its (their) officers, directors, and employees, FHMA and the State of California (State), its officers, directors, agents (excluding agents who are design professionals), any property owners from whom the County obtained easements, and any Federal government agencies associated with this Contract harmless against and from any and all claims, suits, losses, damages, and liability for damages, including attorney's fees and other costs of defense brought for or on account of injuries to or death of any person, including but not limited to, workers and the public, or on account of injuries to or death of County, State, any property owners from whom the County obtained easements, or Federal government agency employees, or damage to property, or any economic, consequential or special damages which are claimed or which shall in any way arise out of or be connected with Contractor's services, operations or performance hereunder, regardless of the existence or degree of fault or negligence on the part of the County, the State of California, or any Federal government agencies, any property owners from whom the County has obtained easements, the Contractor, subcontractors or employees of any of these, except for the active, or sole negligence of the County, the State of California or any Federal government agencies their officers and employees, or any property owners from whom the County has obtained easements, or where expressly prescribed by statute.

The duty to indemnify and hold harmless the County, the State, any property owners from whom the County obtained easements, and any Federal government agencies associated with this Contract specifically includes the duties to defend set forth in Section 2778 of the Civil Code. The insurance obligations of Contractor are separate, independent obligations under the Contract Documents, and the provisions of this defense and indemnity are not intended to modify nor should they be construed as modifying or in any way limiting the insurance obligations set forth in the Contract Documents.

This indemnification will remain in effect until terminated or modified in writing by mutual agreement.

Article 6. VENUE

Any litigation arising out of this Contract shall be brought in El Dorado County and governed by California law.

Article 7. NOTIFICATION OF SURETY COMPANY

The surety company shall familiarize itself with all of the conditions and provisions of this Contract, and shall waive the right of special notification of any change or modifications of this Contract or extension of time, or of decreased or increased work, or of the cancellation of the Contract, or of any other act or acts by County or its authorized agents, under the terms of this Contract; and failure to so notify the aforesaid surety company of changes shall in no way relieve the surety company of its obligation under this Contract.

Article 8. ASSIGNMENT OF ANTITRUST ACTIONS

In entering into a public works Contract or a Subcontract to supply goods, services, or materials pursuant to a public works Contract, the Contractor offers and agrees and will require all of its subcontractors and suppliers to agree to assign to the awarding body all rights, title, and interest in and to all causes of action it may have under Section 4 of the Clayton Act (15 U.S.C. Sec. 15) or under the Cartwright Act (Chapter 2 (commencing with Section 16700) of Part 2 of Division 7 of the Business and Professions Code), arising from purchases of goods, services, or materials pursuant to the public works Contract or the subcontract. This assignment shall be made and become effective at the time the awarding body tenders final payment to Contractor, without further acknowledgment by the parties.

If an awarding body or public purchasing body receives, either through judgment or settlement, a monetary recovery for a cause of action assigned under Government Code Sections 4550-4554, the assignor shall

be entitled to receive reimbursement for actual legal costs incurred and may, upon demand, recover from the public body any portion of the recovery, including treble damages, attributable to overcharges that were paid by the assignor but were not paid by the public body as part of the bid price, less the expenses incurred in obtaining that portion of the recovery. Upon demand in writing by the assignor, the assignee shall, within one year from such demand, reassign the cause of action assigned under Government Code Sections 4550-4554 if the assignor has been or may have been injured by the violation of law for which the cause of action arose and (a) the assignee has not been injured thereby, or (b) the assignee declines to file a court action for the cause of action.

Article 9. TERMINATION BY COUNTY FOR CONVENIENCE

County reserves the right to terminate the Contract at any time upon determination by County's representative that termination of the Contract is in the best interest of County. County shall issue Contractor a written notice specifying that the Contract is to be terminated.

Upon receipt of said written notice, Contractor shall stop all Work under the Contract except: (1) Work specifically directed to be completed prior to termination, (2) Work the Inspector deems necessary to secure the project for termination, (3) removal of equipment and plant from the site of the Work, (4) action that is necessary to protect materials from damage, (5) disposal of materials not yet used in the Work as directed by County, and (6) clean-up of the site.

If the Contract is terminated for County's convenience as provided herein, all finished or unfinished Work and materials previously paid for shall, at the option of County, become its property. Contractor shall be paid an amount which reflects costs incurred for Work provided to the date of notification of termination. In addition, Contractor shall be paid the reasonable cost, as solely judged by County, and without profit, for all Work performed to secure the project for termination.

Article 10. TERMINATION BY COUNTY FOR CAUSE

If Contractor is adjudged as bankrupt or insolvent, or makes a general assignment for the benefit of its creditors or if a trustee or receiver is appointed for Contractor or for any of its property, or if Contractor files a petition to take advantage of any debtor's act, or to reorganize under the bankruptcy or applicable laws, or on more than one occasion fails to supply sufficient skilled workmen or suitable material or equipment, or on more than one occasion fails to make prompt payments to subcontractors for labor, materials, or equipment, or disregards the authority of the County's representative, or the Engineer, if one is appointed, or violates any of the Contract assurances, nondiscrimination provisions or any other Federal or state requirements as identified in Section 7-1.02 of the Special Provisions, or otherwise violates any provision of the Contract Documents, then County may, without prejudice to any other right or remedy and after giving Contractor and its Surety a minimum of ten (10) days from delivery of a written termination notice, terminate the services of Contractor and take equipment and machinery thereon owned by Contractor and finish the Work by whatever method County may deem expedient. In such case, Contractor shall not be entitled to receive any further payment until the Work is finished.

Without prejudice to other rights or remedies County may have, if Contractor fails to begin delivery of materials and equipment, to commence Work within the time specified, to maintain the rate of delivery of material, to execute the Work in the manner and at such locations as specified, or fails to maintain a Work program which will ensure County's interest, or, if Contractor is not carrying out the intent of the Contract, an Inspector's written notice may be served upon Contractor and the Surety on its faithful performance bond demanding satisfactory compliance with the Contract. If Contractor or its Surety does not comply with such notice within five (5) days after receiving it, or after starting to comply, fails to continue, County may exclude it from the premises and take possession of all material and equipment, and complete the Work by County's own forces, by letting the unfinished Work to another Contractor, or by a combination of such methods.

Where Contractor's services have been so terminated by County, said termination shall not affect any right of County against Contractor then existing or which may thereafter accrue. Any retention or payment of

monies by County due Contractor will not release Contractor from compliance with the Contract Documents.

If the unpaid balance of the Contract price exceeds the direct and indirect costs of completing the Work, including compensation for additional professional services, such excess shall be paid to Contractor. If the sums under the Contract are insufficient for completion, Contractor or Surety shall pay to County within five (5) days after the completion, all costs in excess of the Contract price. In any event, the cost of completing the Work shall be charged against Contractor and its Surety and may be deducted from any money due or becoming due from County.

The provisions of this Article shall be in addition to all other rights and remedies available to County under law.

If after notice of termination, it is determined for any reason that Contractor was not in default, the rights and obligations of the parties shall be the same as if the notice of termination had not been issued. The Contract shall be equitably adjusted to compensate for such termination.

Article 11. SUCCESSORS AND ASSIGNS

This Agreement shall bind and inure to the heirs, devisees, assignees, and successors in interest of Contractor and to the successors in interest of County in the same manner as if such parties had been expressly named herein.

Article 12. REPORTING ACCIDENTS

Contractor shall prepare and submit (within 24 hours of such incidents) reports of accidents at the site and anywhere else the Work is in progress in which bodily injury is sustained or property loss in excess of Five Hundred Dollars (\$500.00) occurs.

Article 13. EMISSIONS REDUCTION

Contractor shall comply with emission reduction regulations mandated by the California Air Resources Board, and sign a certification of knowledge thereof:

CERTIFICATE OF KNOWLEDGE – EMISSIONS REDUCTION REGULATIONS

I am aware of the emissions reduction regulations being mandated by the California Air Resources Board. I will comply with such regulations before commencing the performance of the Work and maintain compliance throughout the duration of this Contract.

Signed: _____ Date _____

Article 14. WORKERS' COMPENSATION CERTIFICATION

Contractor shall comply with Labor Code Sections 3700 et seq., requiring it to obtain Workers' Compensation Insurance, and sign a certificate of knowledge thereof.

CERTIFICATE OF KNOWLEDGE - LABOR CODE SECTION 3700

I am aware of the provisions of Section 3700 of the Labor Code, which require every employer to be insured against liability for workers' compensation or to undertake self-insurance in accordance with the provisions of that Code, and I will comply with such provisions before commencing the performance of Work of this Contract.

Signed: _____ Date _____

Article 15. WARRANTY

Contractor warrants to County that materials and equipment furnished for the Work will be of good quality and new, unless otherwise required or permitted under the Contract Documents, that the Work will be free from defects or flaws and is of the highest quality of workmanship and that the Work will conform with the requirements herein. Work not conforming to these requirements, including substitutions not properly approved and authorized, shall be considered defective.

Article 16. RETAINAGE

The retainage from payment is set forth in Section 9-1.16F(1) of the Special Provisions. Contractor may elect to receive one hundred percent (100%) of payments due as set forth in the Contract Documents, without retention, by depositing securities of equivalent value with County, in accordance with, and as set forth in Section 22300 of the Public Contract Code. Securities eligible for deposit hereunder shall be limited to those listed in Section 16430 of the Government Code, or bank or savings and loan certificates of deposit.

Article 17. DISADVANTAGED BUSINESS ENTERPRISE (DBE) PROGRAM

The DBE goal for this Project is 12%.

Contractor or subcontractor shall not discriminate on the basis of race, color, national origin, or sex in the performance of this Contract. Contractor shall carry out applicable requirements of 49 CFR Part 26 in the award and administration of DOT-assisted contracts. Failure by the Contractor to carry out these requirements is a material breach of this Contract, which may result in the termination of this Contract or such other remedy, as County deems appropriate. Contractor shall include this assurance in every subcontract entered into as a result of this Agreement.

The Contractor shall carry out applicable requirements of 2 CFR Part 200 in the award and administration of this UNITED STATES DEPARTMENT OF TRANSPORTATION (USDOT)-assisted Contract. The applicable requirements of 2 CFR Part 200 are as follows:

(a) *Contracting with small and minority firms, women's business enterprise and labor surplus area firms.*

- (1) Contractor will take all necessary affirmative steps to assure that minority firms, women's business enterprises, and labor surplus area firms are used when possible.
- (2) Affirmative steps shall include:
 - (i) Placing qualified small and minority businesses and women's business enterprises on solicitation lists;
 - (ii) Assuring that small and minority businesses, and women's business enterprises are solicited whenever they are potential sources;
 - (iii) Dividing total requirements, when economically feasible, into smaller tasks or quantities to permit maximum participation by small and minority business, and women's business enterprises;
 - (iv) Establishing delivery schedules, where the requirement permits, which encourage participation by small and minority business, and women's business enterprises;

- (v) Using the services and assistance of the Small Business Administration, and the Minority Business Development Agency of the Department of Commerce; and
- (vi) Requiring the prime contractor, if subcontracts are to be let, to take the affirmative steps listed in paragraphs (a)(2) (i) through (v) of this section.

Bidder will take all necessary affirmative steps to assure that minority firms, women's business enterprises and labor surplus area firms are used when possible.

Article 18. PREVAILING WAGE REQUIREMENTS

In accordance with the provisions of California Labor Code Sections 1770 et seq., including but not limited to Sections 1773, 1773.1, 1773.2, 1773.6, and 1773.7, the general prevailing rate of wages in the county in which the Work is to be done has been determined by the Director of the California Department of Industrial Relations. Interested parties can obtain the current wage information by submitting their requests to the Department of Industrial Relations, Division of Labor Statistics and Research, PO Box 420603, San Francisco CA 94142-0603, Telephone (415) 703-4708 or by referring to the website at <http://www.dir.ca.gov/OPRL/PWD>. The rates at the time of the bid advertisement date of a project will remain in effect for the life of the project in accordance with the California Code of Regulations, as modified and effective January 27, 1997.

Copies of the general prevailing rate of wages in the county in which the Work is to be done are also on file at the Community Development Services Department of Transportation's principal office, and are available upon request, and in case of projects involving Federal funds, Federal wage requirements as predetermined by the United States Secretary of Labor have been included in the Contract Documents. Addenda to modify the Federal minimum wage rates, if necessary, will be issued as described in the Project Administration section of this Notice to Bidders.

In accordance with the provisions of Labor Code 1810, eight (8) hours of labor constitutes a legal day's work upon all work done hereunder, and Contractor and any Subcontractor employed under this Contract must conform to and be bound by the provisions of Labor Code Sections 1810 through 1815.

This Project is subject to the requirements of Title 8, Chapter 8, Subchapter 4.5 of the California Code of Regulations including the obligation to furnish certified payroll records directly to the Compliance Monitoring Unit under the Labor Commissioner within the Department of Industrial Relations Division of Labor Standards Enforcement in accordance with Section 16461.

As required under the provisions of Labor Code section 177, Contractor and its subcontractors, if any as authorized herein, shall keep accurate payroll records. A certified copy of all payroll records shall be available for inspection at all reasonable hours at the principal office of Contractor.

In the case of Federally funded projects, where Federal and State prevailing wage requirements apply, compliance with both is required. This project is funded in whole or part by Federal funds. Comply with Exhibit D of this Agreement and the Copeland Act (18 U.S.C. 874 and 29 CFR Part 3), the Davis-Bacon Act (40 U.S.C. 276a to 276a-7 and 29 CFR Part 5), and the Contract Work Hours and Safety Standards Act (40 U.S.C. 327-330 and 29 CFR Part 5).

If there is a difference between the minimum wage rates predetermined by the Secretary of Labor and the general prevailing wage rates determined by the Director of the California Department of Industrial Relations for similar classifications of labor, Contractor and Subcontractors must pay not less than the higher wage rate. The Community Development Services Department of Transportation will not accept lower State wage rates not specifically included in the Federal minimum wage determinations. This includes "helper" (or other classifications based on hours of experience) or any other classification not appearing in the Federal wage determinations. Where Federal wage determinations do not contain the

State wage rate determination otherwise available for use by Contractor and Subcontractors, Contractor and Subcontractors must pay not less than the Federal minimum wage rate which most closely approximates the duties of the employees in question.

Article 19. NONDISCRIMINATION

- A. In connection with its performance under this Contract, Contractor shall comply with all applicable nondiscrimination statutes and regulations during the performance of this Contract including, but not limited to the following: Contractor, its employees, subcontractors and representatives shall not unlawfully discriminate against any employee or applicant for employment because of race, color, sex, sexual orientation, religion, ancestry or national origin, physical disability, medical condition, marital status, political affiliation, family and medical care leave, pregnancy leave or disability leave. Contractor will take affirmative action to ensure that employees are treated during employment, without regard to their race, color, sex, sexual orientation, religion, ancestry or national origin, physical disability, medical condition, marital status, political affiliation, family and medical care leave, pregnancy leave or disability leave. Such action shall include, but not be limited to, the following: employment, upgrading, demotion or transfer; recruitment or recruitment advertising; layoff or termination; rates of pay or other forms of compensation; and selection for training, including apprenticeship. Contractor shall post in conspicuous places, available to employees for employment, notices to be provided by State setting forth the provisions of this Fair Employment section. Contractor shall, unless exempt, comply with the applicable provisions of the Fair Employment and Housing Act (Government Code, Sections 12900 et seq.) and applicable regulations promulgated thereunder (California Code of Regulations, Title 2, Sections 7285.0 et seq.); the applicable regulations of the Fair Employment and Housing Commission implementing Government Code, Section 12990, set forth in Chapter 5 of Division 4 of Title 2 of the California Code of Regulations incorporated into this Agreement by reference and made a part hereof as if set forth in full; and Title VI of the Civil Rights Act of 1964, as amended. Contractor, its employees, subcontractors and representatives shall give written notice of their obligations under this clause as required by law.
- B. Where applicable, Contractor shall include these nondiscrimination and compliance provisions in any of its subcontracts that affect or are related to the Work performed herein.
- C. The Congress of the United States, the Legislature of the State of California and the Governor of the State of California, each within their respective jurisdictions, have prescribed certain nondiscrimination requirements with respect to Contract and other work financed with public funds. Contractor agrees to comply with the requirements of Exhibit B, marked "Fair Employment Practices Addendum" and the requirements of Exhibit C, marked "Nondiscrimination Assurances," including Appendices A through D to Exhibit C, both of which exhibits and all of the Appendices to Exhibit C are incorporated herein and made by reference a part hereof. Contractor further agrees that any agreement entered into by Contractor with a third party for the performance of project-related Work shall incorporate Exhibits B and C and Appendices A through D to Exhibit C (with third party's name replacing Contractor) as essential parts of such agreement to be enforced by that third party as verified by Contractor.
- D. Contractor's signature executing this Contract shall provide any certifications necessary under the Federal laws and the laws of the State of California, including but not limited to Government Code Section 12990 and Title 2, California Code of Regulations, Section 8103.

Article 20. CONTRACTOR ASSURANCES

By executing this Contract, Contractor certifies that it:

- a. Will abide by all administrative, contractual or legal remedies in instances where Contractor violates or breaches Contract terms, and will comply with sanctions and penalties as the Contract Administrator deems appropriate.

- b. Will comply with the termination for cause and termination for convenience provisions of the Contract including the manner by which such termination may be effected and the basis for settlement afforded by those provisions.
- c. Will comply with all applicable standards, orders or requirements of 2 CFR 200.
- d. Will comply with Executive Order 11246 of September 24, 1965, entitled "Equal Employment Opportunity," as amended by Executive Order 11375 of October 13, 1967, and as supplemented in Department of Labor regulations (41 CFR Chapter 60).
- e. Will comply with the Copeland "Anti-Kickback" Act (18 U.S.C. 874) as supplemented in Department of Labor regulations (29 CFR Part 3).
- f. Will comply with the Davis-Bacon Act (40 U.S.C. 276a to 276a-7) as supplemented in Department of Labor regulations (29 CFR Part 3).
- g. Will comply with Sections 103 and 107 of the Contract Work Hours and Safety Standards Act (40 U.S.C. 327-330) as supplemented by Department of Labor regulations (29 CFR Part 5).
- h. Will comply with County, State of California and FEMA requirements and regulations pertaining to: (a) reporting; (b) patent rights with respect to any discovery or invention which arises or is developed in the course of or under this Contract; and (c) copyrights and rights in data.
- i. Will comply with all applicable standards, orders or requirements issued under Section 306 of the Clean Air Act (42 U.S.C. 7401-7671q), Section 508 of the Federal Water Pollution Control Act (33 U.S.C. 1251-1387), Executive Order 11738, and Environmental Protection Agency regulations (40 CFR Part 15).
- j. Will comply with all applicable standards, orders or requirements of section 6002 of the Solid Waste Disposal Act, as amended by the Resource Conservation and Recovery Act.
- k. Will comply with mandatory standards and policies relating to energy efficiency, which are contained in the State energy conservation plan issued in compliance with the Energy Policy and Conservation Act (Pub. L. 94-163, 89 Stat. 871).
- l. Will comply with: (i) Section 504 of the Rehabilitation Act of 1973 (Rehabilitation Act) which prohibits discrimination on the basis of disability in Federally assisted programs; (ii) the Americans with Disabilities Act (ADA) of 1990 which prohibits discrimination on the basis of disability irrespective of funding; and (iii) all applicable regulations and guidelines issued pursuant to both the Rehabilitation Act and the ADA.
- m. Will comply with the Department of Industrial Relations pursuant to labor Code sections 1725.5 and 1771.1.
- n. Will comply with the requirements of 37 CFR Part 401 "Rights to Inventions Made by Nonprofit Organizations and Small Business Firms Under Government Grants, Contracts and Cooperative Agreements."
- o. Will comply with the requirements of 31 U.S.C. 1352 "Byrd Anti-Lobbying Amendment."
- p. Will comply with all California Office of Emergency Services Assurances for Construction Programs (as applicable) including but not limited to Age Discrimination Act of 1975, as amended; Drug Abuse Office and Treatment Act of 1972, as amended; Comprehensive Alcohol Abuse and Alcoholism Prevention, Treatment and Rehabilitation Act of 1970, as amended; Sections 523 and 527 of the Public Health Service Act of 1912, as amended; protection of wetlands pursuant to Executive Order 11990; Endangered Species Act of 1973, as amended.

Any Subcontract entered into as a result of this Contract shall contain all of the provisions of this Article.

Article 21. BUSINESS LICENSE

The County Business License Ordinance provides that it is unlawful for any person to furnish supplies or services, or transact any kind of business in the unincorporated territory of County of El Dorado without possessing a County business license unless exempt under County Ordinance Code Section 5.08.070. Contractor warrants and represents that it shall comply with all of the requirements of the County Business License Ordinance, where applicable, prior to beginning Work under this Contract and at all times during the term of this Contract.

Article 22. TAXES

Contractor certifies that as of today's date, it is not in default on any unsecured property taxes or other taxes or fees owed by Contractor to County. Contractor agrees that it shall not default on any obligations to County during the term of this Agreement.

Article 23. CONTRACT ADMINISTRATOR

The County Officer or employee with responsibility for administering this Agreement is John Kahling, Deputy Director Engineering, Headington Unit, Community Development Services Department of Transportation, or successor.

Article 24. AUTHORIZED SIGNATURES

The parties hereto represent that the undersigned individuals executing this Agreement on behalf of their respective parties are fully authorized to do so by law or other appropriate instrument and to bind upon said parties the obligations set forth herein.

Article 25. PARTIAL INVALIDITY

If any provision of this Agreement is held by a court of competent jurisdiction to be invalid, void or unenforceable, the remaining provisions will continue in full force and effect without being impaired or invalidated in any way.

Article 26. NO THIRD PARTY BENEFICIARIES

Nothing in this Agreement is intended, nor will be deemed, to confer rights or remedies upon any person or legal entity not a party to this Agreement.

Article 27. COUNTERPARTS

This Agreement may be executed in one or more counterparts, each of which shall be an original and all of which together shall constitute one and the same instrument.

Article 28. ENTIRE AGREEMENT

This document and the documents referred to herein or exhibits hereto are the entire Agreement between the parties and they incorporate or supersede all prior written or oral agreements or understandings.

IN WITNESS WHEREOF, the said Community Development Services Department of Transportation of the County of El Dorado, State of California, has caused this Agreement to be executed by County's Board of Supervisors, on its behalf, and the said Contractor has signed this Agreement the day and year written below.

COUNTY OF EL DORADO

Dated: _____

Board Date: _____

Michael Ranalli
Chair, Board of Supervisors

Attest:
James S. Mitrisin
Clerk of the Board of Supervisors

Dated: _____

Board Date: _____

Deputy Clerk

CONTRACTOR

Dated: _____

License No. _____ Federal Employee Identification Number _____

By: _____
President

By: _____
Corporate Secretary

NOTE: If Contractor is a corporation, the legal name of the corporation shall be set forth above together with the signature of the officer or officers authorized to sign Contracts on behalf of the corporation; if Contractor is a co-partnership, the true name of the firm shall be set forth above together with the signature of the partner or partners authorized to sign Contracts on behalf of the co-partnership; and if Contractor is an individual, his/her signature shall be placed above. Contractor executing this document on behalf of a corporation or partnership shall be prepared to demonstrate by resolution, article, or otherwise that it is appropriately authorized to act in these regards. For such corporation or partnership, such authority shall be demonstrated to the satisfaction of County. If signature is by an agent, other than officer of a corporation or a member of a partnership, an appropriate Power of Attorney shall be on file with the County prior to signing this document.

Mailing Address: _____

Business Address: _____

Email Address: _____

Phone: _____

Fax: _____

**EXHIBIT A
CONTRACTOR'S BID AND BID PRICE SCHEDULE
AIRPORT ROAD STORM DAMAGE REPAIR PROJECT
PW No. 18-31120, CIP NO. 78717, CONTRACT #2811**

ITEM NO.	ITEM CODE		ITEM	UNIT OF MEASURE	ESTIMATED QUANTITY	UNIT PRICE (IN FIGURES)	ITEM TOTAL (IN FIGURES)
1	72007A		EXCAVATION SAFETY	LS	1		
2	80050		PROGRESS SCHEDULE (CRITICAL PATH METHOD)	LS	1		
3	100100		DEVELOP WATER SUPPLY	LS	1		
4	120090		CONSTRUCTION AREA SIGNS	LS	1		
5	120100		TRAFFIC CONTROL SYSTEM	LS	1		
6	120200		FLASHING BEACON (PORTABLE)	EA	2		
7	128651A		PORTABLE CHANGEABLE MESSAGE SIGN	SWD	74		
8	129000		TEMPORARY RAILING (TYPE K)	LF	80		
9	130100		JOB SITE MANAGEMENT	LS	1		
10	130200		PREPARE WATER POLLUTION CONTROL PROGRAM	LS	1		
11	170103		CLEARING AND GRUBBING	LS	1		
12	170103A		TREE REMOVAL	EA	3		
13	170103B		DEBRIS REMOVAL	LS	1		
14	190101A	F	ROADWAY EXCAVATION	CY	150		

ITEM NO.	ITEM CODE		ITEM	UNIT OF MEASURE	ESTIMATED QUANTITY	UNITPRICE (IN FIGURES)	ITEMTOTAL (IN FIGURES)
15	198010		IMPORTED BORROW	CY	60		
16	210270A		ROLLED EROSION CONTROL PRODUCT (NETTING) WITH HYDROSEED	SQFT	1475		
17	260203		CLASS 2 AGGREGATE BASE	CY	70		
18	390132		HOT MIX ASPHALT (TYPE A)	TON	104		
19	394073		PLACE HOT MIX ASPHALT DIKE (TYPE A)	LF	104		
20	394090		PLACE HOT MIX ASPHALT (MISCELLANEOUS AREA)	SQYD	28		
21	398200		COLD PLANE ASPHALT CONCRETE PAVEMENT	SQYD	50		
22	510502		MINOR CONCRETE (MINOR STRUCTURE)-type G0 inlet	CY	1.6		
23	650014	P	18" REINFORCED CONCRETE PIPE	LF	40		
24	680902A	P	6" PERFORATED PLASTIC PIPE UNDERDRAIN (SLOPE)	LF	190		
25	680903A	P	6" NON-PERFORATED PLASTIC PIPE UNDERDRAIN (CLEANOUT RISER)	LF	78		
26	710132		REMOVE CULVERT	LF	30		
27	723030		ROCK SLOPE PROTECTION (1/2 T, Class VII, METHOD A)	CY	125		
28	723095		ROCK SLOPE PROTECTION (20 lb, Class I, METHOD B)	CY	50		

ITEM NO.	ITEM CODE		ITEM	UNIT OF MEASURE	ESTIMATED QUANTITY	UNIT PRICE (IN FIGURES)	ITEM TOTAL (IN FIGURES)
29	729011	P	ROCK SLOPE PROTECTION FABRIC (CLASS 8)	SQYD	125		
30	750030		INLET FRAME AND GRATE	EA	1		
31	820112		MARKER (CULVERT)	EA	2		
32	840502		THERMOPLASTIC TRAFFIC STIPE ENHANCED WET NIGHT VISSIBILITY)-center line	LF	340	-	
33	999990		MOBILIZATION	LS	1		
TOTAL BID:							

(F) Final Pay Quantity
(P) Eligible for Partial Payment
(LS) Lump Sum

EXHIBIT B

FAIR EMPLOYMENT PRACTICES ADDENDUM

1. In the performance of this Agreement, Contractor will not discriminate against any employee for employment because of race, color, sex, sexual orientation, religion, ancestry or national origin, physical disability, medical condition, marital status, political affiliation, family and medical care leave, pregnancy leave or disability leave. Contractor will take affirmative action to ensure that employees are treated during employment, without regard to their race, color, sex, sexual orientation, religion, ancestry or national origin, physical disability, medical condition, marital status, political affiliation, family and medical care leave, pregnancy leave or disability leave. Such action shall include, but not be limited to, the following: employment, upgrading, demotion or transfer; recruitment or recruitment advertising; layoff or termination; rates of pay or other forms of compensation; and selection for training, including apprenticeship. Contractor shall post in conspicuous places, available to employees for employment, notices to be provided by State setting forth the provisions of this Fair Employment section.

2. Contractor and all Subcontractors shall comply with the provisions of the Fair Employment and Housing Act (Government Code Section 1290-0 et seq.), and the applicable regulations promulgated thereunder (California Code of Regulations, Title 2, Section 7285.0 et seq.). The applicable regulations of the Fair Employment and Housing Commission implementing Government Code, Section 12900(a-f), set forth in Chapter 5 of Division 4 of Title 2 of the California Code of Regulations are incorporated into this Agreement by reference and made a part hereof as if set forth in full. Each of Contractor's contractors and all Subcontractors shall give written notice of their obligations under this clause to labor organizations with which they have a collective bargaining or other agreements, as appropriate.

3. Contractor shall include the nondiscrimination and compliance provisions of this clause in all contracts and subcontracts to perform Work under this Agreement.

4. Contractor will permit access to the records of employment, employment advertisements, application forms and other pertinent data and records by County, State, the State Fair Employment and Housing Commission or any other agency of the State of California designated by State, for the purposes of investigation to ascertain compliance with the Fair Employment section of this Agreement.

5. Remedies for Willful Violation:

- (a) County may determine a willful violation of the Fair Employment provision to have occurred upon receipt of a final judgment to that effect from a court in an action to which Contractor was a party, or upon receipt of a written notice from the Fair Employment and Housing Commission that it has investigated and determined that Contractor has violated the Fair Employment Practices Act and had issued an order under Labor Code Section 1426 which has become final or has obtained an injunction under Labor Code Section 1429.
- (b) For willful violation of this Fair Employment provision, County shall have the right to terminate this Agreement either in whole or in part, and any loss or damage sustained by County in securing the goods or services thereunder shall be borne and paid for by Contractor and by the surety under the performance bond, if any, and County may deduct from any moneys due or thereafter may become due to Contractor, the difference between the price named in the Agreement and the actual cost thereof to County to cure Contractor's breach of this Agreement.

EXHIBIT C
NONDISCRIMINATION ASSURANCES

Contractor hereby agrees that, as a condition to receiving any Federal financial assistance from County or the State, acting for the U.S. Department of Transportation, it will comply with Title VI of the Civil Rights Act of 1964, 78 Stat. 252, 42 U.S.C. 2000d-42 U.S.C. 2000d-4 (hereinafter referred to as the Act), and all requirements imposed by or pursuant to Title 49, Code of Federal Regulations, Department of Transportation, Subtitle A, Office of the Secretary, Part 21, "Nondiscrimination in Federally-Assisted Programs of the Department of Transportation - Effectuation of Title VI of the Civil Rights Act of 1964" (hereinafter referred to as the Regulations), the Federal-aid Highway Act of 1973, and other pertinent directives, to the end that in accordance with the Act, Regulations, and other pertinent directives, no person in the United States shall, on the grounds of race, color, sex, national origin, religion, age or disability, be excluded from participation in, be denied the benefits of, or be otherwise subjected to discrimination under any program or activity for which County receives Federal financial assistance from the Federal Department of Transportation. Contractor hereby gives assurance that Contractor will promptly take any measures necessary to effectuate this agreement. This assurance is required by subsection 21.7(a) (1) of the Regulations.

More specifically, and without limiting the above general assurance, Contractor hereby gives the following specific assurances with respect to its Federal-aid Program:

1. That Contractor agrees that each "program" and each "facility" as defined in subsections 21.23 (e) and 21.23 (b) of the Regulations, will be (with regard to a "program") conducted, or will be (with regard to a "facility") operated in compliance with all requirements imposed by, or pursuant to, the Regulations.

2. That Contractor shall insert the following notification in all solicitations for bids for work or material subject to the Regulations made in connection with the Federal-aid Program and, in adapted form, in all proposals for negotiated agreements:

Contractor hereby notifies all bidders that it will affirmatively insure that in any agreement entered into pursuant to this advertisement, minority business enterprises will be afforded full opportunity to submit bids in response to this invitation and will not be discriminated against on the grounds of race, color, sex, national origin, religion, age, or disability in consideration for an award.

3. That Contractor shall insert the clauses of Appendix A of this assurance in every agreement subject to the Act and the Regulations.

4. That the clauses of Appendix B of this Assurance shall be included as a covenant running with the land, in any deed effecting a transfer of real property, structures, or improvements thereon, or interest therein.

5. That where Contractor receives Federal financial assistance to construct a facility, or part of a facility, the Assurance shall extend to the entire facility and facilities operated in connection therewith.

6. That where Contractor receives Federal financial assistance in the form, or for the acquisition, of real property or an interest in real property, the Assurance shall extend to rights to space on, over, or under such property.

7. That Contractor shall include the appropriate clauses set forth in Appendix C and D of this Assurance, as a covenant running with the land, in any future deeds, leases, permits, licenses, and similar agreements entered into by Contractor with other parties:

Appendix C;

(a) For the subsequent transfer of real property acquired or improved under the Federal-aid Program; and

Appendix D;

(b) For the construction or use of or access to space on, over, or under real property acquired, or improved under the Federal-aid Program.

8. That this assurance obligates Contractor for the period during which Federal financial assistance is extended to the program, except where the Federal financial assistance is to provide, or is in the form of, personal property or real property of interest therein, or structures, or improvements thereon, in which case the assurance obligates Contractor or any transferee for the longer of the following periods:

(a) The period during which the property is used for a purpose for which the Federal financial assistance is extended, or for another purpose involving the provision of similar services or benefits; or

(b) The period during which Contractor retains ownership or possession of the property.

9. That Contractor shall provide for such methods of administration for the program as are found by the U.S. Secretary of Transportation, or the official to whom he delegates specific authority, to give reasonable guarantee that Contractor, other recipients, sub-grantees, applicants, sub-applicants, transferees, successors in interest, and other participants of Federal financial assistance under such program will comply with all requirements imposed by, or pursuant to, the Act, the Regulations, this Assurance and the Agreement.

10. That Contractor agrees that County, the United States and the State of California have a right to seek judicial enforcement with regard to any matter arising under the Act, the Regulations, and this Assurance.

11. Contractor shall not discriminate on the basis of race, religion, age, disability, color, national origin or sex in the award and performance of any State assisted Contract or in the administration of County's DBE Program or the requirements of 49 CFR Part 26. Contractor shall take all necessary and reasonable steps under 49 CFR Part 26 to ensure nondiscrimination in the award and administration of State assisted Contracts. County's DBE Race-Neutral Implementation Agreement is incorporated by reference in this Agreement. Implementation of this program is a legal obligation and failure to carry out its terms shall be treated as a violation of this Agreement. Upon notification to the recipient of its failure to carry out its approved DBE Race-Neutral Implementation Agreement, State may impose sanctions as provided for under 49 CFR Part 26 and may, in appropriate cases, refer the matter for enforcement under 18 USC 1001 and/or the Program Fraud Civil Remedies Act of 1985 (31 USC 3801 et. seq.).

These Assurances are given in consideration of and for the purpose of obtaining any and all Federal grants, loans, agreements, property, discounts or other Federal financial assistance extended after the date hereof to County by State, acting for the U.S. Department of Transportation, and is binding on Contractor, other recipients, subgrantees, applicants, sub-applicants, transferees, successors in interest and other participants in the Federal-aid Highway Program.

APPENDIX A
to
EXHIBIT C

During the performance of this Agreement, Contractor, for itself, its assignees and successors in interest (hereinafter collectively referred to as "Contractor") agrees as follows:

(1) **Compliance with Regulations:** Contractor shall comply with the regulations relative to nondiscrimination in Federally assisted programs of the Department of Transportation, Title 49, Code of Federal Regulations, Part 21, as they may be amended from time to time, (hereinafter referred to as the Regulations), which are herein incorporated by reference and made a part of this Agreement.

(2) **Nondiscrimination:** Contractor, with regard to the Work performed by it during the Agreement, shall not discriminate on the grounds of race, color, sex, national origin, religion, age, or disability in the selection and retention of sub-applicants, including procurements of materials and leases of equipment. Contractor shall not participate either directly or indirectly in the discrimination prohibited by Section 21.5 of the Regulations, including employment practices when the Agreement covers a program set forth in Appendix b of the Regulations.

(3) **Solicitations for Sub-agreements, Including procurements of Materials and Equipment:** In all solicitations either by competitive bidding or negotiation made by Contractor for Work performed under a Sub-agreement, including procurements of materials or leases of equipment, each potential sub-applicant or supplier shall be notified by Contractor of the Contractor's obligations under this Agreement and the Regulations relative to nondiscrimination on the grounds of race, color or national origin.

(4) **Information and Reports:** Contractor shall provide all information and reports required by the Regulations, or directives issued pursuant thereto, and shall permit access to Contractor's books, records, accounts, other sources of information, and its facilities as may be determined by County, State or FHWA to be pertinent to ascertain compliance with such Regulations or directives. Where any information required of Contractor is in the exclusive possession of another who fails or refuses to furnish this information, Contractor shall so certify to County, State or the FHWA as appropriate, and shall set forth what efforts Contractor has made to obtain the information.

(5) **Sanctions for Noncompliance:** In the event of Contractor's noncompliance with the nondiscrimination provisions of this Agreement, County shall impose such agreement sanctions as it, the State or the FHWA may determine to be appropriate, including, but not limited to:

- (a) withholding of payments to Contractor under the Agreement within a reasonable period of time, not to exceed 90 days; and/or
- (b) cancellation, termination or suspension of the Agreement, in whole or in part.

(6) **Incorporation of Provisions:** Contractor shall include the provisions of paragraphs (1) through (6) in every sub-agreement, including procurements of materials and leases of equipment, unless exempt by the Regulations, or directives issued pursuant thereto.

Contractor shall take such action with respect to any sub-agreement or procurement as County, State or FHWA may direct as a means of enforcing such provisions including sanctions for noncompliance, provided, however, that, in the event Contractor becomes involved in, or is threatened with, litigation with a sub-applicant or supplier as a result of such direction, Contractor may request County or State enter into such litigation to protect the interests of County or State, and, in addition, Contractor may request the United States to enter into such litigation to protect the interests of the United States.

**APPENDIX B
to
EXHIBIT C**

(NOT USED)

DRAFT

**APPENDIX C
to
EXHIBIT C**

(NOT USED)

DRAFT

**APPENDIX D
to
EXHIBIT C**

(NOT USED)

Draft

EXHIBIT D

Draft

EXHIBIT D

REQUIRED CONTRACT PROVISIONS FEDERAL-AID CONSTRUCTION CONTRACTS

- I. General
- II. Nondiscrimination
- III. Nonsegregated Facilities
- IV. Davis-Bacon and Related Act Provisions
- V. Contract Work Hours and Safety Standards Act Provisions
- VI. Subletting or Assigning the Contract
- VII. Safety: Accident Prevention
- VIII. False Statements Concerning Highway Projects
- IX. Implementation of Clean Air Act and Federal Water Pollution Control Act
- X. Compliance with Governmentwide Suspension and Debarment Requirements
- XI. Certification Regarding Use of Contract Funds for Lobbying

ATTACHMENTS

A. Employment and Materials Preference for Appalachian Development Highway System or Appalachian Local Access Road Contracts (included in Appalachian contracts only)

I. GENERAL

1. Form FHWA-1273 must be physically incorporated in each construction contract funded under Title 23 (excluding emergency contracts solely intended for debris removal). The contractor (or subcontractor) must insert this form in each subcontract and further require its inclusion in all lower tier subcontracts (excluding purchase orders, rental agreements and other agreements for supplies or services).

The applicable requirements of Form FHWA-1273 are incorporated by reference for work done under any purchase order, rental agreement or agreement for other services. The prime contractor shall be responsible for compliance by any subcontractor, lower-tier subcontractor or service provider.

Form FHWA-1273 must be included in all Federal-aid design-build contracts, in all subcontracts and in lower tier to all Federal-aid construction contracts and to all related construction subcontracts of \$10,000 or more. The provisions of 23 CFR Part 230 are not applicable to material supply, engineering, or architectural service contracts.

In addition, the contractor and all subcontractors must comply with the following policies: Executive Order 11246, 41 CFR 60, 29 CFR 1625-1627, Title 23 USC Section 140, the Rehabilitation Act of 1973, as amended (29 USC 794), Title VI of the Civil Rights Act of 1964, as amended, and related regulations including 49 CFR Parts 21, 26 and 27; and 23 CFR Parts 200, 230, and 633.

The contractor and all subcontractors must comply with: the requirements of the Equal Opportunity Clause in 41 CFR 60-1.4(b) and, for all construction contracts exceeding \$10,000, the Standard Federal Equal Employment Opportunity Construction Contract Specifications in 41 CFR 60-4.3.

Note: The U.S. Department of Labor has exclusive authority to determine compliance with Executive Order 11246 and the

subcontracts (excluding subcontracts for design services, purchase orders, rental agreements and other agreements for supplies or services). The design-builder shall be responsible for compliance by any subcontractor, lower-tier subcontractor or service provider.

Contracting agencies may reference Form FHWA-1273 in bid proposal or request for proposal documents, however, the Form FHWA-1273 must be physically incorporated (not referenced) in all contracts, subcontracts and lower-tier subcontracts (excluding purchase orders, rental agreements and other agreements for supplies or services related to a construction contract).

2. Subject to the applicability criteria noted in the following sections, these contract provisions shall apply to all work performed on the contract by the contractor's own organization and with the assistance of workers under the contractor's immediate superintendence and to all work performed on the contract by piecework, station work, or by subcontract.

3. A breach of any of the stipulations contained in these Required Contract Provisions may be sufficient grounds for withholding of progress payments, withholding of final payment, termination of the contract, suspension / debarment or any other action determined to be appropriate by the contracting agency and FHWA.

4. Selection of Labor: During the performance of this contract, the contractor shall not use convict labor for any purpose within the limits of a construction project on a Federal-aid highway unless it is labor performed by convicts who are on parole, supervised release, or probation. The term Federal-aid highway does not include roadways functionally classified as local roads or rural minor collectors.

II. NONDISCRIMINATION

The provisions of this section related to 23 CFR Part 230 are applicable

policies of the Secretary of Labor including 41 CFR 60, and 29 CFR 1625-1627. The contracting agency and the FHWA have the authority and the responsibility to ensure compliance with Title 23 USC Section 140, the Rehabilitation Act of 1973, as amended (29 USC 794), and Title VI of the Civil Rights Act of 1964, as amended, and related regulations including 49 CFR Parts 21, 26 and 27; and 23 CFR Parts 200, 230, and 633.

The following provision is adopted from 23 CFR 230, Appendix A, with appropriate revisions to conform to the U.S. Department of Labor (US DOL) and FHWA requirements.

1. Equal Employment Opportunity: Equal employment opportunity (EEO) requirements not to discriminate and to take affirmative action to assure equal opportunity as set forth under laws, executive orders, rules, regulations (28 CFR 35, 29 CFR 1630, 29 CFR 1625-1627, 41 CFR 60 and 49 CFR 27) and orders of the Secretary of Labor as modified by the provisions prescribed herein, and imposed pursuant to 23 U.S.C. 140 shall constitute the EEO and specific affirmative action standards for the contractor's project activities under

this contract. The provisions of the Americans with Disabilities Act of 1990 (42 U.S.C. 12101 et seq.) set forth under 28 CFR 35 and 29 CFR 1630 are incorporated by reference in this contract. In the execution of this contract, the contractor agrees to comply with the following minimum specific requirement activities of EEO:

a. The contractor will work with the contracting agency and the Federal Government to ensure that it has made every good faith effort to provide equal opportunity with respect to all of its terms and conditions of employment and in their review of activities under the contract.

b. The contractor will accept as its operating policy the following statement:

"It is the policy of this Company to assure that applicants are employed, and that employees are treated during employment, without regard to their race, religion, sex, color, national origin, age or disability. Such action shall include: employment, upgrading, demotion, or transfer; recruitment or recruitment advertising; layoff or termination; rates of pay or other forms of compensation; and selection for training, including apprenticeship, pre-apprenticeship, and/or on-the-job training."

2. EEO Officer: The contractor will designate and make known to the contracting officers an EEO Officer who will have the responsibility for and must be capable of effectively administering and promoting an active EEO program and who must be assigned adequate authority and responsibility to do so.

3. Dissemination of Policy: All members of the contractor's staff who are authorized to hire, supervise, promote, and discharge employees, or who recommend such action, or who are substantially involved in such action, will be made fully cognizant of, and will implement, the contractor's EEO policy and contractual responsibilities to provide EEO in each grade and classification of employment. To ensure that the above agreement will be met, the following actions will be taken as a minimum:

a. Periodic meetings of supervisory and personnel office employees will be conducted before the start of work and then not less often than once every six months, at which time the contractor's EEO policy and its implementation will be reviewed and explained. The meetings will be conducted by the EEO Officer.

b. All new supervisory or personnel office employees will be given a thorough indoctrination by the EEO Officer, covering all major aspects of the contractor's EEO obligations within thirty days following their reporting for duty with the contractor.

c. All personnel who are engaged in direct recruitment for the project will be instructed by the EEO Officer in the contractor's procedures for locating and hiring minorities and women.

d. Notices and posters setting forth the contractor's EEO policy will be placed in areas readily accessible to employees, applicants for employment and potential employees.

e. The contractor's EEO policy and the procedures to implement such policy will be brought to the attention of employees by means of meetings, employee handbooks, or other appropriate means.

4. Recruitment: When advertising for employees, the contractor will include in all advertisements for employees the notation: "An Equal Opportunity Employer." All such advertisements will be placed in publications having a large circulation among minorities and women in the area from which the project work force would normally be derived.

a. The contractor will, unless precluded by a valid bargaining agreement, conduct systematic and direct recruitment through public and private employee referral sources likely to yield qualified minorities and women. To meet this requirement, the contractor will identify sources of potential minority group employees, and establish with such identified sources procedures whereby minority and women applicants may be referred to the contractor for employment consideration.

b. In the event the contractor has a valid bargaining agreement providing for exclusive hiring hall referrals, the contractor is expected to observe the provisions of that agreement to the extent that the system meets the contractor's compliance with EEO contract provisions. Where implementation of such an agreement has the effect of discriminating against minorities or women, or obligates the contractor to do the same, such implementation violates Federal nondiscrimination provisions.

c. The contractor will encourage its present employees to refer minorities and women as applicants for employment. Information and procedures with regard to referring such applicants will be discussed with employees.

5. Personnel Actions: Wages, working conditions, and employee benefits shall be established and administered, and personnel actions of every type, including hiring, upgrading, promotion, transfer, demotion, layoff, and termination, shall be taken without regard to race, color, religion, sex, national origin, age or disability. The following procedures shall be followed:

a. The contractor will conduct periodic inspections of project sites to insure that working conditions and employee facilities do not indicate discriminatory treatment of project site personnel.

b. The contractor will periodically evaluate the spread of wages paid within each classification to determine any evidence of discriminatory wage practices.

c. The contractor will periodically review selected personnel actions in depth to determine whether there is evidence of discrimination. Where evidence is found, the contractor will promptly take corrective action. If the review indicates that the discrimination may extend beyond the actions reviewed, such corrective action shall include all affected persons.

d. The contractor will promptly investigate all complaints of alleged discrimination made to the contractor in connection with its obligations under this contract, will attempt to resolve such complaints, and will take appropriate corrective action within a reasonable time. If the investigation indicates that the discrimination may affect persons other than the complainant, such corrective action shall include such other persons. Upon completion of each investigation, the contractor will inform every complainant of all of their avenues of appeal.

6. Training and Promotion:

a. The contractor will assist in locating, qualifying, and increasing the skills of minorities and women who are applicants for employment or current employees. Such efforts

should be aimed at developing full journey level status employees in the type of trade or job classification involved.

b. Consistent with the contractor's work force requirements and as permissible under Federal and State regulations, the contractor shall make full use of training programs, i.e., apprenticeship, and on-the-job training programs for the geographical area of contract performance. In the event a special provision for training is provided under this contract, this subparagraph will be superseded as indicated in the special provision. The contracting agency may reserve training positions for persons who receive welfare assistance in accordance with 23 U.S.C. 140(a).

c. The contractor will advise employees and applicants for employment of available training programs and entrance requirements for each.

d. The contractor will periodically review the training and promotion potential of employees who are minorities and women and will encourage eligible employees to apply for such training and promotion.

7. Unions: If the contractor relies in whole or in part upon unions as a source of employees, the contractor will use good faith efforts to obtain the cooperation of such unions to increase opportunities for minorities and women. Actions by the contractor, either directly or through a contractor's association acting as agent, will include the procedures set forth below:

a. The contractor will use good faith efforts to develop, in cooperation with the unions, joint training programs aimed toward qualifying more minorities and women for membership in the unions and increasing the skills of minorities and women so that they may qualify for higher paying employment.

b. The contractor will use good faith efforts to incorporate an EEO clause into each union agreement to the end that such union will be contractually bound to refer applicants without regard to their race, color, religion, sex, national origin, age or disability.

c. The contractor is to obtain information as to the referral practices and policies of the labor union except that to the extent such information is within the exclusive possession of the labor union and such labor union refuses to furnish such information to the contractor, the contractor shall so certify to the contracting agency and shall set forth what efforts have been made to obtain such information.

d. In the event the union is unable to provide the contractor with a reasonable flow of referrals within the time limit set forth in the collective bargaining agreement, the contractor will, through independent recruitment efforts, fill the employment vacancies without regard to race, color, religion, sex, national origin, age or disability; making full efforts to obtain qualified and/or qualifiable minorities and women. The failure of a union to provide sufficient referrals (even though it is obligated to provide exclusive referrals under the terms of a collective bargaining agreement) does not relieve the contractor from the requirements of this paragraph. In the event the union referral practice prevents the contractor from meeting the obligations pursuant to Executive Order 11246, as amended, and these special provisions, such contractor shall immediately notify the contracting agency.

8. Reasonable Accommodation for Applicants / Employees with Disabilities: The contractor must be familiar with the requirements for and comply with the Americans with

Disabilities Act and all rules and regulations established there under. Employers must provide reasonable accommodation in all employment activities unless to do so would cause an undue hardship.

9. Selection of Subcontractors, Procurement of Materials and Leasing of Equipment: The contractor shall not discriminate on the grounds of race, color, religion, sex, national origin, age or disability in the selection and retention of subcontractors, including procurement of materials and leases of equipment. The contractor shall take all necessary and reasonable steps to ensure nondiscrimination in the administration of this contract.

a. The contractor shall notify all potential subcontractors and suppliers and lessors of their EEO obligations under this contract.

b. The contractor will use good faith efforts to ensure subcontractor compliance with their EEO obligations.

10. Assurance Required by 49 CFR 26.13(b):

a. The requirements of 49 CFR Part 26 and the State DOT's U.S. DOT-approved DBE program are incorporated by reference.

b. The contractor or subcontractor shall not discriminate on the basis of race, color, national origin, or sex in the performance of this contract. The contractor shall carry out applicable requirements of 49 CFR Part 26 in the award and administration of DOT-assisted contracts. Failure by the contractor to carry out these requirements is a material breach of this contract, which may result in the termination of this contract or such other remedy as the contracting agency deems appropriate.

11. Records and Reports: The contractor shall keep such records as necessary to document compliance with the EEO requirements. Such records shall be retained for a period of three years following the date of the final payment to the contractor for all contract work and shall be available at reasonable times and places for inspection by authorized representatives of the contracting agency and the FHWA.

a. The records kept by the contractor shall document the following:

(1) The number and work hours of minority and non-minority group members and women employed in each work classification on the project;

(2) The progress and efforts being made in cooperation with unions, when applicable, to increase employment opportunities for minorities and women; and

(3) The progress and efforts being made in locating, hiring, training, qualifying, and upgrading minorities and women;

b. The contractors and subcontractors will submit an annual report to the contracting agency each July for the duration of the project, indicating the number of minority, women, and non-minority group employees currently engaged in each work classification required by the contract work. This information is to be reported on [Form FHWA-1391](#). The staffing data should represent the project work force on board in all or any part of the last payroll period preceding the end of July. If on-the-job training is being required by special provision, the contractor will be required to collect and report training data. The

employment data should reflect the work force on board during all or any part of the last payroll period preceding the end of July.

III. NONSEGREGATED FACILITIES

This provision is applicable to all Federal-aid construction contracts and to all related construction subcontracts of \$10,000 or more.

The contractor must ensure that facilities provided for employees are provided in such a manner that segregation on the basis of race, color, religion, sex, or national origin cannot result. The contractor may neither require such segregated use by written or oral policies nor tolerate such use by employee custom. The contractor's obligation extends further to ensure that its employees are not assigned to perform their services at any location, under the contractor's control, where the facilities are segregated. The term "facilities" includes waiting rooms, work areas, restaurants and other eating areas, time clocks, restrooms, washrooms, locker rooms, and other storage or dressing areas, parking lots, drinking fountains, recreation or entertainment areas, transportation, and housing provided for employees. The contractor shall provide separate or single-user restrooms and necessary dressing or sleeping areas to assure privacy between sexes.

IV. DAVIS-BACON AND RELATED ACT PROVISIONS

This section is applicable to all Federal-aid construction projects exceeding \$2,000 and to all related subcontracts and lower-tier subcontracts (regardless of subcontract size). The requirements apply to all projects located within the right-of-way of a roadway that is functionally classified as Federal-aid highway. This excludes roadways functionally classified as local roads or rural minor collectors, which are exempt. Contracting agencies may elect to apply these requirements to other projects.

The following provisions are from the U.S. Department of Labor regulations in 29 CFR 5.5 "Contract provisions and related matters" with minor revisions to conform to the FHWA-1273 format and FHWA program requirements.

1. Minimum wages

a. All laborers and mechanics employed or working upon the site of the work, will be paid unconditionally and not less often than once a week, and without subsequent deduction or rebate on any account (except such payroll deductions as are permitted by regulations issued by the Secretary of Labor under the Copeland Act (29 CFR part 3)), the full amount of wages and bona fide fringe benefits (or cash equivalents thereof) due at time of payment computed at rates not less than those contained in the wage determination of the Secretary of Labor which is attached hereto and made a part hereof, regardless of any contractual relationship which may be alleged to exist between the contractor and such laborers and mechanics.

Contributions made or costs reasonably anticipated for bona fide fringe benefits under section 1(b)(2) of the Davis-Bacon Act on behalf of laborers or mechanics are considered wages paid to such laborers or mechanics, subject to the provisions of paragraph 1.d. of this section; also, regular contributions

made or costs incurred for more than a weekly period (but not less often than quarterly) under plans, funds, or programs which cover the particular weekly period, are deemed to be constructively made or incurred during such weekly period. Such laborers and mechanics shall be paid the appropriate wage rate and fringe benefits on the wage determination for the classification of work actually performed, without regard to skill, except as provided in 29 CFR 5.5(a)(4). Laborers or mechanics performing work in more than one classification may be compensated at the rate specified for each classification for the time actually worked therein: Provided, That the employer's payroll records accurately set forth the time spent in each classification in which work is performed. The wage determination (including any additional classification and wage rates conformed under paragraph 1.b. of this section) and the Davis-Bacon poster (WH-1321) shall be posted at all times by the contractor and its subcontractors at the site of the work in a prominent and accessible place where it can be easily seen by the workers.

b.(1) The contracting officer shall require that any class of laborers or mechanics, including helpers, which is not listed in the wage determination and which is to be employed under the contract shall be classified in conformance with the wage determination. The contracting officer shall approve an additional classification and wage rate and fringe benefits therefore only when the following criteria have been met:

(i) The work to be performed by the classification requested is not performed by a classification in the wage determination; and

(ii) The classification is utilized in the area by the construction industry; and

(iii) The proposed wage rate, including any bona fide fringe benefits, bears a reasonable relationship to the wage rates contained in the wage determination.

(2) If the contractor and the laborers and mechanics to be employed in the classification (if known), or their representatives, and the contracting officer agree on the classification and wage rate (including the amount designated for fringe benefits where appropriate), a report of the action taken shall be sent by the contracting officer to the Administrator of the Wage and Hour Division, Employment Standards Administration, U.S. Department of Labor, Washington, DC 20210. The Administrator, or an authorized representative, will approve, modify, or disapprove every additional classification action within 30 days of receipt and so advise the contracting officer or will notify the contracting officer within the 30-day period that additional time is necessary.

(3) In the event the contractor, the laborers or mechanics to be employed in the classification or their representatives, and the contracting officer do not agree on the proposed classification and wage rate (including the amount designated for fringe benefits, where appropriate), the contracting officer shall refer the questions, including the views of all interested parties and the recommendation of the contracting officer, to the Wage and Hour Administrator for determination. The Wage and Hour Administrator, or an authorized representative, will issue a determination within 30 days of receipt and so advise the contracting officer or will notify the contracting officer within the 30-day period that additional time is necessary.

(4) The wage rate (including fringe benefits where appropriate) determined pursuant to paragraphs 1.b.(2) or 1.b.(3) of this section, shall be paid to all workers performing work in the classification under this contract from the first day on which work is performed in the classification.

c. Whenever the minimum wage rate prescribed in the contract for a class of laborers or mechanics includes a fringe benefit which is not expressed as an hourly rate, the contractor shall either pay the benefit as stated in the wage determination or shall pay another bona fide fringe benefit or an hourly cash equivalent thereof.

d. If the contractor does not make payments to a trustee or other third person, the contractor may consider as part of the wages of any laborer or mechanic the amount of any costs reasonably anticipated in providing bona fide fringe benefits under a plan or program, Provided, That the Secretary of Labor has found, upon the written request of the contractor, that the applicable standards of the Davis-Bacon Act have been met. The Secretary of Labor may require the contractor to set aside in a separate account assets for the meeting of obligations under the plan or program.

2. Withholding

The contracting agency shall upon its own action or upon written request of an authorized representative of the Department of Labor, withhold or cause to be withheld from the contractor under this contract, or any other Federal contract with the same prime contractor, or any other federally-assisted contract subject to Davis-Bacon prevailing wage requirements, which is held by the same prime contractor, so much of the accrued payments or advances as may be considered necessary to pay laborers and mechanics, including apprentices, trainees, and helpers, employed by the contractor or any subcontractor the full amount of wages required by the contract. In the event of failure to pay any laborer or mechanic, including any apprentice, trainee, or helper, employed or working on the site of the work, all or part of the wages required by the contract, the contracting agency may, after written notice to the contractor, take such action as may be necessary to cause the suspension of any further payment, advance, or guarantee of funds until such violations have ceased.

3. Payrolls and basic records

a. Payrolls and basic records relating thereto shall be maintained by the contractor during the course of the work and preserved for a period of three years thereafter for all laborers and mechanics working at the site of the work. Such records shall contain the name, address, and social security number of each such worker, his or her correct classification, hourly rates of wages paid (including rates of contributions or costs anticipated for bona fide fringe benefits or cash equivalents thereof of the types described in section 1(b)(2)(B) of the Davis-Bacon Act), daily and weekly number of hours worked, deductions made and actual wages paid. Whenever the Secretary of Labor has found under 29 CFR 5.5(a)(1)(iv) that the wages of any laborer or mechanic include the amount of any costs reasonably anticipated in providing benefits under a plan or program described in section 1(b)(2)(B) of the Davis-Bacon Act, the contractor shall maintain records which show that the commitment to provide such benefits is enforceable, that the plan or program is financially responsible, and that the plan or program has been communicated in writing to the

laborers or mechanics affected, and records which show the costs anticipated or the actual cost incurred in providing such benefits. Contractors employing apprentices or trainees under approved programs shall maintain written evidence of the registration of apprenticeship programs and certification of trainee programs, the registration of the apprentices and trainees, and the ratios and wage rates prescribed in the applicable programs.

b. (1) The contractor shall submit weekly for each week in which any contract work is performed a copy of all payrolls to the contracting agency. The payrolls submitted shall set out accurately and completely all of the information required to be maintained under 29 CFR 5.5(a)(3)(i), except that full social security numbers and home addresses shall not be included on weekly transmittals. Instead the payrolls shall only need to include an individually identifying number for each employee (e.g., the last four digits of the employee's social security number). The required weekly payroll information may be submitted in any form desired. Optional Form WH-347 is available for this purpose from the Wage and Hour Division Web site at <http://www.dol.gov/esa/whd/forms/wh347instr.htm> or its successor site. The prime contractor is responsible for the submission of copies of payrolls by all subcontractors. Contractors and subcontractors shall maintain the full social security number and current address of each covered worker, and shall provide them upon request to the contracting agency for transmission to the State DOT, the FHWA or the Wage and Hour Division of the Department of Labor for purposes of an investigation or audit of compliance with prevailing wage requirements. It is not a violation of this section for a prime contractor to require a subcontractor to provide addresses and social security numbers to the prime contractor for its own records, without weekly submission to the contracting agency..

(2) Each payroll submitted shall be accompanied by a "Statement of Compliance," signed by the contractor or subcontractor or his or her agent who pays or supervises the payment of the persons employed under the contract and shall certify the following:

(i) That the payroll for the payroll period contains the information required to be provided under §5.5 (a)(3)(ii) of Regulations, 29 CFR part 5, the appropriate information is being maintained under §5.5 (a)(3)(i) of Regulations, 29 CFR part 5, and that such information is correct and complete;

(ii) That each laborer or mechanic (including each helper, apprentice, and trainee) employed on the contract during the payroll period has been paid the full weekly wages earned, without rebate, either directly or indirectly, and that no deductions have been made either directly or indirectly from the full wages earned, other than permissible deductions as set forth in Regulations, 29 CFR part 3;

(iii) That each laborer or mechanic has been paid not less than the applicable wage rates and fringe benefits or cash equivalents for the classification of work performed, as specified in the applicable wage determination incorporated into the contract.

(3) The weekly submission of a properly executed certification set forth on the reverse side of Optional Form WH-347 shall satisfy the requirement for submission of the

“Statement of Compliance” required by paragraph 3.b.(2) of this section.

(4) The falsification of any of the above certifications may subject the contractor or subcontractor to civil or criminal prosecution under section 1001 of title 18 and section 231 of title 31 of the United States Code.

c. The contractor or subcontractor shall make the records required under paragraph 3.a. of this section available for inspection, copying, or transcription by authorized representatives of the contracting agency, the State DOT, the FHWA, or the Department of Labor, and shall permit such representatives to interview employees during working hours on the job. If the contractor or subcontractor fails to submit the required records or to make them available, the FHWA may, after written notice to the contractor, the contracting agency or the State DOT, take such action as may be necessary to cause the suspension of any further payment, advance, or guarantee of funds. Furthermore, failure to submit the required records upon request or to make such records available may be grounds for debarment action pursuant to 29 CFR 5.12.

4. Apprentices and trainees

a. Apprentices (programs of the USDOL).

Apprentices will be permitted to work at less than the predetermined rate for the work they performed when they are employed pursuant to and individually registered in a bona fide apprenticeship program registered with the U.S. Department of Labor, Employment and Training Administration, Office of Apprenticeship Training, Employer and Labor Services, or with a State Apprenticeship Agency recognized by the Office, or if a person is employed in his or her first 90 days of probationary employment as an apprentice in such an apprenticeship program, who is not individually registered in the program, but who has been certified by the Office of Apprenticeship Training, Employer and Labor Services or a State Apprenticeship Agency (where appropriate) to be eligible for probationary employment as an apprentice.

The allowable ratio of apprentices to journeymen on the job site in any craft classification shall not be greater than the ratio permitted to the contractor as to the entire work force under the registered program. Any worker listed on a payroll at an apprentice wage rate, who is not registered or otherwise employed as stated above, shall be paid not less than the applicable wage rate on the wage determination for the classification of work actually performed. In addition, any apprentice performing work on the job site in excess of the ratio permitted under the registered program shall be paid not less than the applicable wage rate on the wage determination for the work actually performed. Where a contractor is performing construction on a project in a locality other than that in which its program is registered, the ratios and wage rates (expressed in percentages of the journeyman's hourly rate) specified in the contractor's or subcontractor's registered program shall be observed.

Every apprentice must be paid at not less than the rate specified in the registered program for the apprentice's level of progress, expressed as a percentage of the journeymen hourly rate specified in the applicable wage determination. Apprentices shall be paid fringe benefits in accordance with the provisions of the apprenticeship program. If the

apprenticeship program does not specify fringe benefits, apprentices must be paid the full amount of fringe benefits listed on the wage determination for the applicable classification. If the Administrator determines that a different practice prevails for the applicable apprentice classification, fringes shall be paid in accordance with that determination.

In the event the Office of Apprenticeship Training, Employer and Labor Services, or a State Apprenticeship Agency recognized by the Office, withdraws approval of an apprenticeship program, the contractor will no longer be permitted to utilize apprentices at less than the applicable predetermined rate for the work performed until an acceptable program is approved.

b. Trainees (programs of the USDOL).

Except as provided in 29 CFR 5.16, trainees will not be permitted to work at less than the predetermined rate for the work performed unless they are employed pursuant to and individually registered in a program which has received prior approval, evidenced by formal certification by the U.S. Department of Labor, Employment and Training Administration.

The ratio of trainees to journeymen on the job site shall not be greater than permitted under the plan approved by the Employment and Training Administration.

Every trainee must be paid at not less than the rate specified in the approved program for the trainee's level of progress, expressed as a percentage of the journeyman hourly rate specified in the applicable wage determination. Trainees shall be paid fringe benefits in accordance with the provisions of the trainee program. If the trainee program does not mention fringe benefits, trainees shall be paid the full amount of fringe benefits listed on the wage determination unless the Administrator of the Wage and Hour Division determines that there is an apprenticeship program associated with the corresponding journeyman wage rate on the wage determination which provides for less than full fringe benefits for apprentices. Any employee listed on the payroll at a trainee rate who is not registered and participating in a training plan approved by the Employment and Training Administration shall be paid not less than the applicable wage rate on the wage determination for the classification of work actually performed. In addition, any trainee performing work on the job site in excess of the ratio permitted under the registered program shall be paid not less than the applicable wage rate on the wage determination for the work actually performed.

In the event the Employment and Training Administration withdraws approval of a training program, the contractor will no longer be permitted to utilize trainees at less than the applicable predetermined rate for the work performed until an acceptable program is approved.

c. Equal employment opportunity. The utilization of apprentices, trainees and journeymen under this part shall be in conformity with the equal employment opportunity requirements of Executive Order 11246, as amended, and 29 CFR part 30.

d. Apprentices and Trainees (programs of the U.S. DOT).

Apprentices and trainees working under apprenticeship and skill training programs which have been certified by the Secretary of Transportation as promoting EEO in connection with Federal-aid highway construction programs are not subject to the requirements of paragraph 4 of this Section IV. The straight time hourly wage rates for apprentices and trainees under such programs will be established by the particular programs. The ratio of apprentices and trainees to journeymen shall not be greater than permitted by the terms of the particular program.

5. Compliance with Copeland Act requirements. The contractor shall comply with the requirements of 29 CFR part 3, which are incorporated by reference in this contract.

6. Subcontracts. The contractor or subcontractor shall insert Form FHWA-1273 in any subcontracts and also require the subcontractors to include Form FHWA-1273 in any lower tier subcontracts. The prime contractor shall be responsible for the compliance by any subcontractor or lower tier subcontractor with all the contract clauses in 29 CFR 5.5.

7. Contract termination: debarment. A breach of the contract clauses in 29 CFR 5.5 may be grounds for termination of the contract, and for debarment as a contractor and a subcontractor as provided in 29 CFR 5.12.

8. Compliance with Davis-Bacon and Related Act requirements. All rulings and interpretations of the Davis-Bacon and Related Acts contained in 29 CFR parts 1, 3, and 5 are herein incorporated by reference in this contract.

9. Disputes concerning labor standards. Disputes arising out of the labor standards provisions of this contract shall not be subject to the general disputes clause of this contract. Such disputes shall be resolved in accordance with the procedures of the Department of Labor set forth in 29 CFR parts 5, 6, and 7. Disputes within the meaning of this clause include disputes between the contractor (or any of its subcontractors) and the contracting agency, the U.S. Department of Labor, or the employees or their representatives.

10. Certification of eligibility.

a. By entering into this contract, the contractor certifies that neither it (nor he or she) nor any person or firm who has an interest in the contractor's firm is a person or firm ineligible to be awarded Government contracts by virtue of section 3(a) of the Davis-Bacon Act or 29 CFR 5.12(a)(1).

b. No part of this contract shall be subcontracted to any person or firm ineligible for award of a Government contract by virtue of section 3(a) of the Davis-Bacon Act or 29 CFR 5.12(a)(1).

c. The penalty for making false statements is prescribed in the U.S. Criminal Code, 18 U.S.C. 1001.

V. CONTRACT WORK HOURS AND SAFETY STANDARDS ACT

The following clauses apply to any Federal-aid construction contract in an amount in excess of \$100,000 and subject to the

overtime provisions of the Contract Work Hours and Safety Standards Act. These clauses shall be inserted in addition to the clauses required by 29 CFR 5.5(a) or 29 CFR 4.6. As used in this paragraph, the terms laborers and mechanics include watchmen and guards.

1. Overtime requirements. No contractor or subcontractor contracting for any part of the contract work which may require or involve the employment of laborers or mechanics shall require or permit any such laborer or mechanic in any workweek in which he or she is employed on such work to work in excess of forty hours in such workweek unless such laborer or mechanic receives compensation at a rate not less than one and one-half times the basic rate of pay for all hours worked in excess of forty hours in such workweek.

2. Violation; liability for unpaid wages; liquidated damages. In the event of any violation of the clause set forth in paragraph (1.) of this section, the contractor and any subcontractor responsible therefor shall be liable for the unpaid wages. In addition, such contractor and subcontractor shall be liable to the United States (in the case of work done under contract for the District of Columbia or a territory, to such District or to such territory), for liquidated damages. Such liquidated damages shall be computed with respect to each individual laborer or mechanic, including watchmen and guards, employed in violation of the clause set forth in paragraph (1.) of this section, in the sum of \$10 for each calendar day on which such individual was required or permitted to work in excess of the standard workweek of forty hours without payment of the overtime wages required by the clause set forth in paragraph (1.) of this section.

3. Withholding for unpaid wages and liquidated damages. The FHWA or the contracting agency shall upon its own action or upon written request of an authorized representative of the Department of Labor withhold or cause to be withheld, from any moneys payable on account of work performed by the contractor or subcontractor under any such contract or any other Federal contract with the same prime contractor, or any other federally-assisted contract subject to the Contract Work Hours and Safety Standards Act, which is held by the same prime contractor, such sums as may be determined to be necessary to satisfy any liabilities of such contractor or subcontractor for unpaid wages and liquidated damages as provided in the clause set forth in paragraph (2.) of this section.

4. Subcontracts. The contractor or subcontractor shall insert in any subcontracts the clauses set forth in paragraph (1.) through (4.) of this section and also a clause requiring the subcontractors to include these clauses in any lower tier subcontracts. The prime contractor shall be responsible for compliance by any subcontractor or lower tier subcontractor with the clauses set forth in paragraphs (1.) through (4.) of this section.

VI. SUBLETTING OR ASSIGNING THE CONTRACT

This provision is applicable to all Federal-aid construction contracts on the National Highway System.

1. The contractor shall perform with its own organization contract work amounting to not less than 30 percent (or a greater percentage if specified elsewhere in the contract) of the total original contract price, excluding any specialty items designated by the contracting agency. Specialty items may be performed by subcontract and the amount of any such specialty items performed may be deducted from the total original contract price before computing the amount of work required to be performed by the contractor's own organization (23 CFR 635.116).

a. The term "perform work with its own organization" refers to workers employed or leased by the prime contractor, and equipment owned or rented by the prime contractor, with or without operators. Such term does not include employees or equipment of a subcontractor or lower tier subcontractor, agents of the prime contractor, or any other assignees. The term may include payments for the costs of hiring leased employees from an employee leasing firm meeting all relevant Federal and State regulatory requirements. Leased employees may only be included in this term if the prime contractor meets all of the following conditions:

- (1) the prime contractor maintains control over the supervision of the day-to-day activities of the leased employees;
- (2) the prime contractor remains responsible for the quality of the work of the leased employees;
- (3) the prime contractor retains all power to accept or exclude individual employees from work on the project; and
- (4) the prime contractor remains ultimately responsible for the payment of predetermined minimum wages, the submission of payrolls, statements of compliance and all other Federal regulatory requirements.

b. "Specialty Items" shall be construed to be limited to work that requires highly specialized knowledge, abilities, or equipment not ordinarily available in the type of contracting organizations qualified and expected to bid or propose on the contract as a whole and in general are to be limited to minor components of the overall contract.

2. The contract amount upon which the requirements set forth in paragraph (1) of Section VI is computed includes the cost of material and manufactured products which are to be purchased or produced by the contractor under the contract provisions.

3. The contractor shall furnish (a) a competent superintendent or supervisor who is employed by the firm, has full authority to direct performance of the work in accordance with the contract requirements, and is in charge of all construction operations (regardless of who performs the work) and (b) such other of its own organizational resources (supervision, management, and engineering services) as the contracting officer determines is necessary to assure the performance of the contract.

4. No portion of the contract shall be sublet, assigned or otherwise disposed of except with the written consent of the contracting officer, or authorized representative, and such consent when given shall not be construed to relieve the contractor of any responsibility for the fulfillment of the contract. Written consent will be given only after the contracting agency has assured that each subcontract is evidenced in writing and that it contains all pertinent provisions and requirements of the prime contract.

5. The 30% self-performance requirement of paragraph (1) is not applicable to design-build contracts; however, contracting

agencies may establish their own self-performance requirements.

VII. SAFETY: ACCIDENT PREVENTION

This provision is applicable to all Federal-aid construction contracts and to all related subcontracts.

1. In the performance of this contract the contractor shall comply with all applicable Federal, State, and local laws governing safety, health, and sanitation (23 CFR 635). The contractor shall provide all safeguards, safety devices and protective equipment and take any other needed actions as it determines, or as the contracting officer may determine, to be reasonably necessary to protect the life and health of employees on the job and the safety of the public and to protect property in connection with the performance of the work covered by the contract.

2. It is a condition of this contract, and shall be made a condition of each subcontract, which the contractor enters into pursuant to this contract, that the contractor and any subcontractor shall not permit any employee, in performance of the contract, to work in surroundings or under conditions which are unsanitary, hazardous or dangerous to his/her health or safety, as determined under construction safety and health standards (29 CFR 1926) promulgated by the Secretary of Labor, in accordance with Section 107 of the Contract Work Hours and Safety Standards Act (40 U.S.C. 3704).

3. Pursuant to 29 CFR 1926.3, it is a condition of this contract that the Secretary of Labor or authorized representative thereof, shall have right of entry to any site of contract performance to inspect or investigate the matter of compliance with the construction safety and health standards and to carry out the duties of the Secretary under Section 107 of the Contract Work Hours and Safety Standards Act (40 U.S.C.3704).

VIII. FALSE STATEMENTS CONCERNING HIGHWAY PROJECTS

This provision is applicable to all Federal-aid construction contracts and to all related subcontracts.

In order to assure high quality and durable construction in conformity with approved plans and specifications and a high degree of reliability on statements and representations made by engineers, contractors, suppliers, and workers on Federal-aid highway projects, it is essential that all persons concerned with the project perform their functions as carefully, thoroughly, and honestly as possible. Willful falsification, distortion, or misrepresentation with respect to any facts related to the project is a violation of Federal law. To prevent any misunderstanding regarding the seriousness of these and similar acts, Form FHWA-1022 shall be posted on each Federal-aid highway project (23 CFR 635) in one or more places where it is readily available to all persons concerned with the project:

18 U.S.C. 1020 reads as follows:

"Whoever, being an officer, agent, or employee of the United States, or of any State or Territory, or whoever, whether a person, association, firm, or corporation, knowingly makes any false statement, false representation, or false report as to the character, quality, quantity, or cost of the material used or to

be used, or the quantity or quality of the work performed or to be performed, or the cost thereof in connection with the submission of plans, maps, specifications, contracts, or costs of construction on any highway or related project submitted for approval to the Secretary of Transportation; or

Whoever knowingly makes any false statement, false representation, false report or false claim with respect to the character, quality, quantity, or cost of any work performed or to be performed, or materials furnished or to be furnished, in connection with the construction of any highway or related project approved by the Secretary of Transportation; or

Whoever knowingly makes any false statement or false representation as to material fact in any statement, certificate, or report submitted pursuant to provisions of the Federal-aid Roads Act approved July 1, 1916, (39 Stat. 355), as amended and supplemented;

Shall be fined under this title or imprisoned not more than 5 years or both."

IX. IMPLEMENTATION OF CLEAN AIR ACT AND FEDERAL WATER POLLUTION CONTROL ACT

This provision is applicable to all Federal-aid construction contracts and to all related subcontracts.

By submission of this bid/proposal or the execution of this contract, or subcontract, as appropriate, the bidder, proposer, Federal-aid construction contractor, or subcontractor, as appropriate, will be deemed to have stipulated as follows:

1. That any person who is or will be utilized in the performance of this contract is not prohibited from receiving an award due to a violation of Section 508 of the Clean Water Act or Section 306 of the Clean Air Act.

2. That the contractor agrees to include or cause to be included the requirements of paragraph (1) of this Section X in every subcontract, and further agrees to take such action as the contracting agency may direct as a means of enforcing such requirements.

X. CERTIFICATION REGARDING DEBARMENT, SUSPENSION, INELIGIBILITY AND VOLUNTARY EXCLUSION

This provision is applicable to all Federal-aid construction contracts, design-build contracts, subcontracts, lower-tier subcontracts, purchase orders, lease agreements, consultant contracts or any other covered transaction requiring FHWA approval or that is estimated to cost \$25,000 or more – as defined in 2 CFR Parts 180 and 1200.

1. Instructions for Certification – First Tier Participants:

a. By signing and submitting this proposal, the prospective first tier participant is providing the certification set out below.

b. The inability of a person to provide the certification set out below will not necessarily result in denial of participation in this covered transaction. The prospective first tier participant shall submit an explanation of why it cannot provide the certification set out below. The certification or explanation will be considered in connection with the department or agency's determination whether to enter into this transaction. However,

failure of the prospective first tier participant to furnish a certification or an explanation shall disqualify such a person from participation in this transaction.

c. The certification in this clause is a material representation of fact upon which reliance was placed when the contracting agency determined to enter into this transaction. If it is later determined that the prospective participant knowingly rendered an erroneous certification, in addition to other remedies available to the Federal Government, the contracting agency may terminate this transaction for cause of default.

d. The prospective first tier participant shall provide immediate written notice to the contracting agency to whom this proposal is submitted if any time the prospective first tier participant learns that its certification was erroneous when submitted or has become erroneous by reason of changed circumstances.

e. The terms "covered transaction," "debarred," "suspended," "ineligible," "participant," "person," "principal," and "voluntarily excluded," as used in this clause, are defined in 2 CFR Parts 180 and 1200. "First Tier Covered Transactions" refers to any covered transaction between a grantee or subgrantee of Federal funds and a participant (such as the prime or general contract). "Lower Tier Covered Transactions" refers to any covered transaction under a First Tier Covered Transaction (such as subcontracts). "First Tier Participant" refers to the participant who has entered into a covered transaction with a grantee or subgrantee of Federal funds (such as the prime or general contractor). "Lower Tier Participant" refers any participant who has entered into a covered transaction with a First Tier Participant or other Lower Tier Participants (such as subcontractors and suppliers).

f. The prospective first tier participant agrees by submitting this proposal that, should the proposed covered transaction be entered into, it shall not knowingly enter into any lower tier covered transaction with a person who is debarred, suspended, declared ineligible, or voluntarily excluded from participation in this covered transaction, unless authorized by the department or agency entering into this transaction.

g. The prospective first tier participant further agrees by submitting this proposal that it will include the clause titled "Certification Regarding Debarment, Suspension, Ineligibility and Voluntary Exclusion-Lower Tier Covered Transactions," provided by the department or contracting agency, entering into this covered transaction, without modification, in all lower tier covered transactions and in all solicitations for lower tier covered transactions exceeding the \$25,000 threshold.

h. A participant in a covered transaction may rely upon a certification of a prospective participant in a lower tier covered transaction that is not debarred, suspended, ineligible, or voluntarily excluded from the covered transaction, unless it knows that the certification is erroneous. A participant is responsible for ensuring that its principals are not suspended, debarred, or otherwise ineligible to participate in covered transactions. To verify the eligibility of its principals, as well as the eligibility of any lower tier prospective participants, each participant may, but is not required to, check the Excluded Parties List System website (<https://www.epls.gov/>), which is compiled by the General Services Administration.

i. Nothing contained in the foregoing shall be construed to require the establishment of a system of records in order to render in good faith the certification required by this clause. The knowledge and information of the prospective participant

is not required to exceed that which is normally possessed by a prudent person in the ordinary course of business dealings.

j. Except for transactions authorized under paragraph (f) of these instructions, if a participant in a covered transaction knowingly enters into a lower tier covered transaction with a person who is suspended, debarred, ineligible, or voluntarily excluded from participation in this transaction, in addition to other remedies available to the Federal Government, the department or agency may terminate this transaction for cause or default.

* * * * *

2. Certification Regarding Debarment, Suspension, Ineligibility and Voluntary Exclusion – First Tier Participants:

a. The prospective first tier participant certifies to the best of its knowledge and belief, that it and its principals:

(1) Are not presently debarred, suspended, proposed for debarment, declared ineligible, or voluntarily excluded from participating in covered transactions by any Federal department or agency;

(2) Have not within a three-year period preceding this proposal been convicted of or had a civil judgment rendered against them for commission of fraud or a criminal offense in connection with obtaining, attempting to obtain, or performing a public (Federal, State or local) transaction or contract under a public transaction; violation of Federal or State antitrust statutes or commission of embezzlement, theft, forgery, bribery, falsification or destruction of records, making false statements, or receiving stolen property;

(3) Are not presently indicted for or otherwise criminally or civilly charged by a governmental entity (Federal, State or local) with commission of any of the offenses enumerated in paragraph (a)(2) of this certification; and

(4) Have not within a three-year period preceding this application/proposal had one or more public transactions (Federal, State or local) terminated for cause or default.

b. Where the prospective participant is unable to certify to any of the statements in this certification, such prospective participant shall attach an explanation to this proposal.

2. Instructions for Certification - Lower Tier Participants:

(Applicable to all subcontracts, purchase orders and other lower tier transactions requiring prior FHWA approval or estimated to cost \$25,000 or more - 2 CFR Parts 180 and 1200)

a. By signing and submitting this proposal, the prospective lower tier is providing the certification set out below.

b. The certification in this clause is a material representation of fact upon which reliance was placed when this transaction was entered into. If it is later determined that the prospective lower tier participant knowingly rendered an erroneous certification, in addition to other remedies available to the Federal Government, the department, or agency with which this transaction originated may pursue available remedies, including suspension and/or debarment.

c. The prospective lower tier participant shall provide immediate written notice to the person to which this proposal is

submitted if at any time the prospective lower tier participant learns that its certification was erroneous by reason of changed circumstances.

d. The terms "covered transaction," "debarred," "suspended," "ineligible," "participant," "person," "principal," and "voluntarily excluded," as used in this clause, are defined in 2 CFR Parts 180 and 1200. You may contact the person to which this proposal is submitted for assistance in obtaining a copy of those regulations. "First Tier Covered Transactions" refers to any covered transaction between a grantee or subgrantee of Federal funds and a participant (such as the prime or general contract). "Lower Tier Covered Transactions" refers to any covered transaction under a First Tier Covered Transaction (such as subcontracts). "First Tier Participant" refers to the participant who has entered into a covered transaction with a grantee or subgrantee of Federal funds (such as the prime or general contractor). "Lower Tier Participant" refers any participant who has entered into a covered transaction with a First Tier Participant or other Lower Tier Participants (such as subcontractors and suppliers).

e. The prospective lower tier participant agrees by submitting this proposal that, should the proposed covered transaction be entered into, it shall not knowingly enter into any lower tier covered transaction with a person who is debarred, suspended, declared ineligible, or voluntarily excluded from participation in this covered transaction, unless authorized by the department or agency with which this transaction originated.

f. The prospective lower tier participant further agrees by submitting this proposal that it will include this clause titled "Certification Regarding Debarment, Suspension, Ineligibility and Voluntary Exclusion-Lower Tier Covered Transaction," without modification, in all lower tier covered transactions and in all solicitations for lower tier covered transactions exceeding the \$25,000 threshold.

g. A participant in a covered transaction may rely upon a certification of a prospective participant in a lower tier covered transaction that is not debarred, suspended, ineligible, or voluntarily excluded from the covered transaction, unless it knows that the certification is erroneous. A participant is responsible for ensuring that its principals are not suspended, debarred, or otherwise ineligible to participate in covered transactions. To verify the eligibility of its principals, as well as the eligibility of any lower tier prospective participants, each participant may, but is not required to, check the Excluded Parties List System website (<https://www.epls.gov/>), which is compiled by the General Services Administration.

h. Nothing contained in the foregoing shall be construed to require establishment of a system of records in order to render in good faith the certification required by this clause. The knowledge and information of participant is not required to exceed that which is normally possessed by a prudent person in the ordinary course of business dealings.

i. Except for transactions authorized under paragraph e of these instructions, if a participant in a covered transaction knowingly enters into a lower tier covered transaction with a person who is suspended, debarred, ineligible, or voluntarily excluded from participation in this transaction, in addition to other remedies available to the Federal Government, the department or agency with which this transaction originated may pursue available remedies, including suspension and/or debarment.

* * * * *

Certification Regarding Debarment, Suspension, Ineligibility and Voluntary Exclusion--Lower Tier Participants:

1. The prospective lower tier participant certifies, by submission of this proposal, that neither it nor its principals is presently debarred, suspended, proposed for debarment, declared ineligible, or voluntarily excluded from participating in covered transactions by any Federal department or agency.

2. Where the prospective lower tier participant is unable to certify to any of the statements in this certification, such prospective participant shall attach an explanation to this proposal.

* * * * *

XI. CERTIFICATION REGARDING USE OF CONTRACT FUNDS FOR LOBBYING

This provision is applicable to all Federal-aid construction contracts and to all related subcontracts which exceed \$100,000 (49 CFR 20).

1. The prospective participant certifies, by signing and submitting this bid or proposal, to the best of his or her knowledge and belief, that:

a. No Federal appropriated funds have been paid or will be paid, by or on behalf of the undersigned, to any person for influencing or attempting to influence an officer or employee of any Federal agency, a Member of Congress, an officer or employee of Congress, or an employee of a Member of Congress in connection with the awarding of any Federal contract, the making of any Federal grant, the making of any Federal loan, the entering into of any cooperative agreement, and the extension, continuation, renewal, amendment, or modification of any Federal contract, grant, loan, or cooperative agreement.

b. If any funds other than Federal appropriated funds have been paid or will be paid to any person for influencing or attempting to influence an officer or employee of any Federal agency, a Member of Congress, an officer or employee of Congress, or an employee of a Member of Congress in connection with this Federal contract, grant, loan, or cooperative agreement, the undersigned shall complete and submit Standard Form-LLL, "Disclosure Form to Report Lobbying," in accordance with its instructions.

2. This certification is a material representation of fact upon which reliance was placed when this transaction was made or entered into. Submission of this certification is a prerequisite for making or entering into this transaction imposed by 31 U.S.C. 1352. Any person who fails to file the required certification shall be subject to a civil penalty of not less than \$10,000 and not more than \$100,000 for each such failure.

3. The prospective participant also agrees by submitting its bid or proposal that the participant shall require that the language of this certification be included in all lower tier subcontracts, which exceed \$100,000 and that all such recipients shall certify and disclose accordingly.

**ATTACHMENT A - EMPLOYMENT AND MATERIALS
PREFERENCE FOR APPALACHIAN DEVELOPMENT
HIGHWAY SYSTEM OR APPALACHIAN LOCAL ACCESS
ROAD CONTRACTS**

This provision is applicable to all Federal-aid projects funded under the Appalachian Regional Development Act of 1965.

1. During the performance of this contract, the contractor undertaking to do work which is, or reasonably may be, done as on-site work, shall give preference to qualified persons who regularly reside in the labor area as designated by the DOL wherein the contract work is situated, or the subregion, or the Appalachian counties of the State wherein the contract work is situated, except:

a. To the extent that qualified persons regularly residing in the area are not available.

b. For the reasonable needs of the contractor to employ supervisory or specially experienced personnel necessary to assure an efficient execution of the contract work.

c. For the obligation of the contractor to offer employment to present or former employees as the result of a lawful collective bargaining contract, provided that the number of nonresident persons employed under this subparagraph (1c) shall not exceed 20 percent of the total number of employees employed by the contractor on the contract work, except as provided in subparagraph (4) below.

2. The contractor shall place a job order with the State Employment Service indicating (a) the classifications of the laborers, mechanics and other employees required to perform the contract work, (b) the number of employees required in each classification, (c) the date on which the participant estimates such employees will be required, and (d) any other pertinent information required by the State Employment Service to complete the job order form. The job order may be placed with the State Employment Service in writing or by telephone. If during the course of the contract work, the information submitted by the contractor in the original job order is substantially modified, the participant shall promptly notify the State Employment Service.

3. The contractor shall give full consideration to all qualified job applicants referred to him by the State Employment Service. The contractor is not required to grant employment to any job applicants who, in his opinion, are not qualified to perform the classification of work required.

4. If, within one week following the placing of a job order by the contractor with the State Employment Service, the State Employment Service is unable to refer any qualified job applicants to the contractor, or less than the number requested, the State Employment Service will forward a certificate to the contractor indicating the unavailability of applicants. Such certificate shall be made a part of the contractor's permanent project records. Upon receipt of this certificate, the contractor may employ persons who do not normally reside in the labor area to fill positions covered by the certificate, notwithstanding the provisions of subparagraph (1c) above.

5. The provisions of 23 CFR 633.207(e) allow the contracting agency to provide a contractual preference for the use of mineral resource materials native to the Appalachian region.

6. The contractor shall include the provisions of Sections 1 through 4 of this Attachment A in every subcontract for work which is, or reasonably may be, done as on-site work.

EXHIBIT E - PLACEHOLDER

Draft

COUNTY OF EL DORADO
PAYMENT BOND
(Section 3247, Civil Code)

Bond No. _____

WHEREAS, the County of El Dorado, a political subdivision of the State of California, hereafter referred to as "Obligee", has awarded to Contractor

_____ hereafter referred to as "Principal", a Contract for the Work described as follows:

AIRPORT ROAD STORM DAMAGE REPAIR PROJECT
PW No. 18-31120, CIP No. 78717, CONTRACT #2811

AND, WHEREAS, said Principal is required to furnish a bond in connection with said Contract, guaranteeing the faithful performance thereof:

NOW, THEREFORE, we the undersigned Principal and Surety are held and firmly bound unto the Obligee, in the sum of _____ Dollars,

(\$ _____) to be paid to the Obligee, for which payment we bind ourselves, jointly and severally.

THE CONDITION OF THIS OBLIGATION IS SUCH,

That if said Principal or its Subcontractors shall fail to pay any of the persons named in Civil Code Section 3181, or amounts due under the Unemployment Insurance Code with respect to Work or labor performed by such claimant, or any amounts required to be deducted, withheld, and paid over to the Franchise Tax Board from the wages of employees of the Principal and his Subcontractors pursuant to Section 18806 of the Revenue and Taxation Code, with respect to such Work and labor, that the Surety herein will pay for the same in an amount not exceeding the sum specified in this bond, otherwise the above obligation shall be void. In case suit is brought upon this bond, the Surety will pay a reasonable attorney's fee to be fixed by the court.

This bond shall inure to the benefit of any of the persons named in Civil Code Section 3181 as to give a right of action to such persons or their assigns in any suit brought upon this bond.

Dated: _____

Correspondence or Claims relating to this bond should be sent to the Surety at the following address:

PRINCIPAL

SURETY

ATTORNEY-IN-FACT

NOTE: Signatures of those executing for the Principal and for the Surety must be properly acknowledged, and a Power of Attorney attached for the Surety.

NOTARY ACKNOWLEDGMENTS ATTACHED

PRINCIPAL

ACKNOWLEDGMENT

A notary public or other officer completing this certificate verifies only the identity of the individual who signed the document to which this certificate is attached, and not the truthfulness, accuracy, or validity of that document.

State of California

County of _____

On _____ before me, _____,

(here insert name and title of the officer)

personally appeared _____

who proved to me on the basis of satisfactory evidence to be the person(s) whose name(s) is/are subscribed to the within instrument and acknowledged to me that he/she/they executed the same in his/her/their authorized capacity(ies), and that by his/her/their signature(s) on the instrument the person(s), or the entity upon behalf of which the person(s) acted, executed the instrument.

I certify under PENALTY OF PERJURY under the laws of the State of California that the foregoing paragraph is true and correct.

WITNESS my hand and official seal.

Signature _____

(Seal)

SURETY

ACKNOWLEDGMENT

A notary public or other officer completing this certificate verifies only the identity of the individual who signed the document to which this certificate is attached, and not the truthfulness, accuracy, or validity of that document.

State of California

County of _____

On _____ before me, _____,

(here insert name and title of the officer)

personally appeared _____

who proved to me on the basis of satisfactory evidence to be the person(s) whose name(s) is/are subscribed to the within instrument and acknowledged to me that he/she/they executed the same in his/her/their authorized capacity(ies), and that by his/her/their signature(s) on the instrument the person(s), or the entity upon behalf of which the person(s) acted, executed the instrument.

I certify under PENALTY OF PERJURY under the laws of the State of California that the foregoing paragraph is true and correct.

WITNESS my hand and official seal.

Signature _____

(Seal)

**COUNTY OF EL DORADO
PERFORMANCE BOND**

Bond No. _____

KNOW ALL MEN BY THESE PRESENTS, that we _____

the Contractor in the Contract hereto annexed, as Principal, and _____

as Surety, are held firmly bound unto the County of El Dorado, a political subdivision of the State of California, hereinafter called the "Obligee".

in the sum of _____ DOLLARS,

(\$ _____) lawful money of the United States, for which payment, well and truly to be made, we bind ourselves, jointly and severally, firmly by these presents.

Signed, sealed and dated: _____

The condition of the above obligation is such that if said Principal as Contractor in the Contract hereto annexed shall faithfully perform each and all of the conditions of said Contract to be performed by him, and shall furnish all tools, equipment, apparatus, facilities, transportation, labor and material, other than material, if any, agreed to be furnished by the Obligee, necessary to perform and complete, and to perform and complete in a good and workmanlike manner, the Work of **PW No. 18-31120, CIP No. 78717, Contract #2811 for the Airport Road Storm Damage Repair Project** in strict conformity with the terms and conditions set forth in the Contract hereto annexed, then this obligation shall be null and void; otherwise this bond shall remain in full force and effect and the said Surety will complete the Contract Work under its own supervision, by Contract or otherwise, and pay all costs thereof for the balance due under terms of the Contract, and the said Surety, for value received, hereby stipulates and agrees that no change, extension of time, alteration or addition to the terms of the Contract or to the Work to be performed thereunder shall in any wise affect its obligation on this bond, and it does hereby waive notice of any such change, extension of time, alteration or addition to the terms of the Contract or to the Work.

In the event suit is brought upon this bond by the Obligee and judgment is recovered, the Surety shall pay all costs incurred by the Obligee in such suit, including a reasonable attorney's fee to be fixed by the court.

This guarantee shall insure the Obligee during the Work required by any Contract and for a period of one (1) year from the date of acceptance of the Work against faulty or improper materials or workmanship that may be discovered during that time.

No right of action shall accrue under this bond to or for the use of any person other than the Obligee named herein.

Dated: _____, 20_____.

Correspondence or Claims relating to this bond should be sent to the Surety at the following address:

PRINCIPAL

SURETY

ATTORNEY-IN-FACT

NOTE: Signatures of those executing for the Principal and the Surety must be properly acknowledged, and a Power of Attorney attached for the Surety.

NOTARY ACKNOWLEDGMENTS ATTACHED

PRINCIPAL

ACKNOWLEDGMENT

A notary public or other officer completing this certificate verifies only the identity of the individual who signed the document to which this certificate is attached, and not the truthfulness, accuracy, or validity of that document.

State of California

County of _____

On _____ before me, _____,

(here insert name and title of the officer)

personally appeared _____

who proved to me on the basis of satisfactory evidence to be the person(s) whose name(s) is/are subscribed to the within instrument and acknowledged to me that he/she/they executed the same in his/her/their authorized capacity(ies), and that by his/her/their signature(s) on the instrument the person(s), or the entity upon behalf of which the person(s) acted, executed the instrument.

I certify under PENALTY OF PERJURY under the laws of the State of California that the foregoing paragraph is true and correct.

WITNESS my hand and official seal.

Signature _____

(Seal)

SURETY

ACKNOWLEDGMENT

A notary public or other officer completing this certificate verifies only the identity of the individual who signed the document to which this certificate is attached, and not the truthfulness, accuracy, or validity of that document.

State of California

County of _____

On _____ before me, _____,
(here insert name and title of the officer)

personally appeared _____

who proved to me on the basis of satisfactory evidence to be the person(s) whose name(s) is/are subscribed to the within instrument and acknowledged to me that he/she/they executed the same in his/her/their authorized capacity(ies), and that by his/her/their signature(s) on the instrument the person(s), or the entity upon behalf of which the person(s) acted, executed the instrument.

I certify under PENALTY OF PERJURY under the laws of the State of California that the foregoing paragraph is true and correct.

WITNESS my hand and official seal.

Signature _____

(Seal)

THIS PAGE INTENTIONALLY LEFT BLANK.

Airport Road Storm Damage Repair Project
Contract No. PW 18-31120, CIP No 78717

PROPOSAL

THIS PAGE INTENTIONALLY LEFT BLANK.

COMPLETING BID IN PENCIL, ERASURES, OVERWRITES, AND USE OF CORRECTION FLUID OR TAPE ARE NOT ACCEPTABLE. BID PROPOSALS WITH PENCIL, ERASURES, OVERWRITES, OR USE OF CORRECTION FLUID OR TAPE WILL BE REJECTED. ALL CHANGES MUST BE LINED OUT AND CORRECTIONS INSERTED ADJACENT TO AND INITIALED BY THE BIDDER'S AUTHORIZED REPRESENTATIVE.

PROPOSAL

(to be submitted with Bidder's Security)

TO: COUNTY OF EL DORADO,
STATE OF CALIFORNIA
COMMUNITY DEVELOPMENT SERVICES
DEPARTMENT OF TRANSPORTATION,

for the construction of the

**AIRPORT ROAD STORM DAMAGE REPAIR PROJECT
PW No. 18-31120, CIP No. 78717**

NAME OF BIDDER _____

MAILING ADDRESS _____

CITY, STATE, ZIP _____

PHYSICAL ADDRESS _____

(Please include even if Mailing Address used)

CITY, STATE, ZIP _____

TELEPHONE NO: AREA CODE () _____

FAX NO: AREA CODE () _____

EMAIL ADDRESS _____

The Work for which this Proposal is submitted is for the construction in accordance with these Contract Documents (including the payment of not less than the State general prevailing wage rates or Federal minimum wage rates set forth herein), the Project Plans described below, including any addenda thereto, the Contract annexed hereto, and also in accordance with the California Department of Transportation Standard Plans 2015, the Standard Specifications 2015, Revised Standard Specifications, standard drawings from the Design and Improvement Standards Manual of the County of El Dorado, revised March 8, 1994 including Resolutions 199-91 and 58-94 to adopt changes to the Design and Improvement Standards Manual; the Labor Surcharge and Equipment Rental Rates in effect on the date the Work is accomplished, and in accordance with the General Prevailing Wage rates. The Project Plans and Contract Documents for the Work to be done are entitled:

AIRPORT ROAD STORM DAMAGE REPAIR PROJECT
CONTRACT No. PW 18-31120, CIP No. 78717

Bids are to be submitted for the entire Work. The amount of the bid for comparison purposes will be the total of all the items.

The Bidder shall set forth for each unit basis item of work a unit price and a total for the item, and for each lump sum item a total for the item, all in clearly legible figures in the respective spaces provided for this purpose. In the case of unit basis items, the amount set forth under the "Item Total" column shall be the product of the unit price bid and the estimated quantity for the item.

In case of discrepancy between the item price and the total set forth for a unit basis item, the unit price shall prevail, except as provided in (a) or (b), as follows:

- (a) If the amount set forth as a unit price is unreadable or otherwise unclear, or is omitted, or is the same as the amount as the entry in the item total column, then the amount set forth in the total column for the item shall prevail and shall be divided by the estimated quantity for the item and the price thus obtained shall be the unit price;
- (b) (Decimal Errors) If the product of the entered unit price and the estimated quantity is exactly off by a factor of ten, one hundred, etc., or one-tenth, or one-hundredth, etc., from the entered total, the discrepancy will be resolved by using the entered unit price or item total, whichever most closely approximates percentage wise the unit price or item total in the Community Development services, Department of transportation's Final Estimate of cost.

If this Proposal is accepted and the undersigned Bidder shall fail to enter into the Contract and furnish the two bonds in the sums required by the State Contract Act, with surety satisfaction to the County of El Dorado in accordance with the Special Provisions within five (5) days, not including Saturdays, Sundays, and legal holidays, of the date of the letter notice from the County of El Dorado that the Contract has been awarded, the County of El Dorado may, at its option, determine that the Bidder has abandoned the Contract, and thereupon this Proposal and the acceptance thereof shall be null and void and the forfeiture of such security accompanying this Proposal shall operate and the same shall be the property of the County of El Dorado.

The undersigned, as Bidder, declares under penalty of perjury under the laws of the State of California that the only persons or parties interested in this Proposal, as principals, are those named herein; that this Proposal is made without collusion with any other person, firm, or corporation; that it has carefully examined the location of the proposed work, the annexed proposed form of Contract, and the Plans therein referred to; and that it proposes, and agrees if this Proposal is accepted, that it will contract with the County of El Dorado, in the form of the copy of the Draft Contract annexed hereto, to provide all necessary machinery, tools, apparatus, and other means of construction, and to do all the work and furnish all the materials specified in the Contract, in the manner and time therein prescribed, and according to the requirements of the Engineer as therein set forth, and that it will take in full payment therefore the following item prices, to wit:

**PROPOSAL PAY ITEMS AND BID PRICE SCHEDULE
AIRPORT ROAD STORM DAMAGE REPAIR PROJECT
CONTRACT NO. PW 18-31120, CIP NO. 78717**

ITEM NO.	ITEM CODE		ITEM	UNIT OF MEASURE	ESTIMATED QUANTITY	UNIT PRICE (IN FIGURES)	ITEM TOTAL (IN FIGURES)
1	72007A		EXCAVATION SAFETY	LS	1		
2	80050		PROGRESS SCHEDULE (CRITICAL PATH METHOD)	LS	1		
3	100100		DEVELOP WATER SUPPLY	LS	1		
4	120090		CONSTRUCTION AREA SIGNS	LS	1		
5	120100		TRAFFIC CONTROL SYSTEM	LS	1		
6	120200		FLASHING BEACON (PORTABLE)	EA	2		
7	128651A		PORTABLE CHANGEABLE MESSAGE SIGN	SWD	74		
8	129000		TEMPORARY RAILING (TYPE K)	LF	80		
9	130100		JOB SITE MANAGEMENT	LS	1		
10	130200		PREPARE WATER POLLUTION CONTROL PROGRAM	LS	1		
11	170103		CLEARING AND GRUBBING	LS	1		
12	170103A		TREE REMOVAL	EA	3		
13	170103B		DEBRIS REMOVAL	LS	1		
14	190101A	F	ROADWAY EXCAVATION	CY	150		

ITEM NO.	ITEM CODE		ITEM	UNIT OF MEASURE	ESTIMATED QUANTITY	UNITPRICE (IN FIGURES)	ITEMTOTAL (IN FIGURES)
15	198010		IMPORTED BORROW	CY	60		
16	210270A		ROLLED EROSION CONTROL PRODUCT (NETTING) WITH HYDROSEED	SQFT	1475		
17	260203		CLASS 2 AGGREGATE BASE	CY	70		
18	390132		HOT MIX ASPHALT (TYPE A)	TON	104		
19	394073		PLACE HOT MIX ASPHALT DIKE (TYPE A)	LF	104		
20	394090		PLACE HOT MIX ASPHALT (MISCELLANEOUS AREA)	SQYD	28		
21	398200		COLD PLANE ASPHALT CONCRETE PAVEMENT	SQYD	50		
22	510502		MINOR CONCRETE (MINOR STRUCTURE)-type G0 inlet	CY	1.6		
23	650014	P	18" REINFORCED CONCRETE PIPE	LF	40		
24	680902A	P	6" PERFORATED PLASTIC PIPE UNDERDRAIN (SLOPE)	LF	190		
25	680903A	P	6" NON-PERFORATED PLASTIC PIPE UNDERDRAIN (CLEANOUT RISER)	LF	78		
26	710132		REMOVE CULVERT	LF	30		
27	723030		ROCK SLOPE PROTECTION (1/2 T, Class VII, METHOD A)	CY	125		
28	723095		ROCK SLOPE PROTECTION (20 lb, Class I, METHOD B)	CY	50		

ITEM NO.	ITEM CODE		ITEM	UNIT OF MEASURE	ESTIMATED QUANTITY	UNIT PRICE (IN FIGURES)	ITEM TOTAL (IN FIGURES)
29	729011	P	ROCK SLOPE PROTECTION FABRIC (CLASS 8)	SQYD	125		
30	750030		INLET FRAME AND GRATE	EA	1		
31	820112		MARKER (CULVERT)	EA	2		
32	840502		THERMOPLASTIC TRAFFIC STIPE ENHANCED WET NIGHT VISSIBILITY)-center line	LF	340	-	
33	999990		MOBILIZATION	LS	1		
TOTAL BID:							

(F) Final Pay Quantity
(P) Eligible for Partial Payment
(LS) Lump Sum

(NOTICE: Bidders failure to execute the questionnaires and statements contained in this proposal as required by applicable laws and regulations, or the determinations by County of El Dorado based upon those questionnaires and statements, may prohibit award of the subject Contract to the bidder.)

SUBCONTRACTOR LIST

The Bidder must list the name, address, license number, and DIR number of each subcontractor to whom the Bidder proposes to subcontract portions of the Work, as required by the Contract Documents. The Bidder must also list the Work portion to be performed by each subcontractor by listing the bid item number, bid item description, and portion of the Work to be performed by the subcontractor in the form of a percentage calculated by dividing the Work to be performed by the subcontractor by the respective bid item amount(s) (not by the total bid price).

Firm Name Address City, State, Zip Code	Phone Fax	License No. DIR No.	Bid Item Number Bid Item Description	Percentage of Each Bid Item Subcontracted
<i>Name</i>	<i>Phone</i>	<i>License No.</i>		
<i>Address</i>				
<i>City, State, Zip Code</i>	<i>Fax</i>	<i>DIR No.</i>		
<i>Name</i>	<i>Phone</i>	<i>License No.</i>		
<i>Address</i>				
<i>City, State, Zip Code</i>	<i>Fax</i>	<i>DIR No.</i>		
<i>Name</i>	<i>Phone</i>	<i>License No.</i>		
<i>Address</i>				
<i>City, State, Zip Code</i>	<i>Fax</i>	<i>DIR No.</i>		
<i>Name</i>	<i>Phone</i>	<i>License No.</i>		
<i>Address</i>				
<i>City, State, Zip Code</i>	<i>Fax</i>	<i>DIR No.</i>		

(THE BIDDER'S EXECUTION ON THE SIGNATURE PORTION OF THIS PROPOSAL SHALL ALSO CONSTITUTE AN ENDORSEMENT AND EXECUTION OF THOSE CERTIFICATIONS WHICH ARE A PART OF THIS PROPOSAL)

EQUAL EMPLOYMENT OPPORTUNITY CERTIFICATION

	<u>Has</u>	<u>Has Not</u>
The Bidder _____	_____	_____
Proposed Subcontractor(s) _____	_____	_____
_____	_____	_____
_____	_____	_____
_____	_____	_____
_____	_____	_____
_____	_____	_____
_____	_____	_____

hereby certifies the above information regarding participation in a previous contract or subcontract subject to the equal opportunity clauses, as required by Executive Orders 10925, 11114, 11246, and 11375, and as supplemented by 41 CFR 60, and that, where required he has filed with the Joint Reporting Committee, the Director of the Office of Federal Contract Compliance, a Federal Government contracting or administering agency, or the former President's committee on Equal Employment Opportunity, all reports due under the applicable filing requirements.

NOTE: The above certification is required by the Equal Employment Opportunity Regulations of the Secretary of Labor (41 CFR 60-1.7(b)(1)), and must be submitted by Bidders and proposed subcontractors only in connection with contracts and subcontracts which are subject to the equal opportunity clause. Contracts and subcontracts which are exempt from the equal opportunity clause are set forth in 41 CFR 60-1.5. (Generally only contracts or subcontracts of \$10,000 or under are exempt.)

Currently, Standard Form 100 (EEO-1) is the only report required by the Executive Orders or their implementing regulations.

Proposed prime contractors and subcontractors who have participated in a previous contract or subcontract subject to the Executive Orders and have not filed the required reports should note that 41 CFR 60-1.7(b)(1) prevents the award of contracts and subcontracts unless such contractor submits a report covering the delinquent period or such other period specified by the Federal Highway Administration or by the Director, Office of Federal Contract Compliance, U.S. Department of Labor.

Public Contract Code Section 10285.1 Statement

In conformance with Public Contract Code Section 10285.1 (Chapter 376, Stats. 1985), the Bidder hereby declares under penalty of perjury under the laws of the State of California that the Bidder has _____, has not _____ been convicted within the preceding three years of any offenses referred to in that section, including any charge of fraud, bribery, collusion, conspiracy, or any other act in violation of any state or Federal antitrust law in connection with the bidding upon, award of, or performance of, any public works contract, as defined in Public Contract Code Section 1101, with any public entity, as defined in Public Contract Code Section 1100, including the Regents of the University of California or the Trustees of the California State University. The term "Bidder" is understood to include any partner, member, officer, director, responsible managing officer, or responsible managing employee thereof, as referred to in Section 10285.1.

Note: The Bidder must place a check mark after "has" or "has not" in one of the blank spaces provided. The above Statement is part of the Proposal. Signing this Proposal on the signature portion thereof shall also constitute signature of this Statement. Bidders are cautioned that making a false certification may subject the certifier to criminal prosecution.

Public Contract Code Section 10162 Questionnaire

In conformance with Public Contract Code Section 10162, the Bidder shall complete, under penalty of perjury, the following questionnaire:

Has the Bidder, any officer of the Bidder, or any employee of the Bidder who has a proprietary interest in the Bidder, ever been disqualified, removed, or otherwise prevented from bidding on, or completing a federal, state, or local government project because of a violation of law or a safety regulation?

Yes _____ No _____

If the answer is yes, explain the circumstances in the following space.

Public Contract Code Section 10232 Statement

In conformance with Public Contract Code Section 10232, the Bidder, hereby states under penalty of perjury under the laws of the State of California, that no more than one final unappealable finding of contempt of court by a Federal Court has been issued against the Bidder within the immediately preceding two year period because of the Bidder's failure to comply with an order of a Federal Court which orders the Bidder to comply with an order of the National Labor Relations Board.

Note: The above Statement and Questionnaire are part of the Proposal. Signing this Proposal on the signature portion thereof shall also constitute signature of this Statement and Questionnaire. Bidders are cautioned that making a false certification may subject the certifier to criminal prosecution.

NONCOLLUSION AFFIDAVIT

(Title 23 United States Code Section 112 and
Public Contract Code Section 7106)

In conformance with Title 23 United States Code Section 112 and Public Contract Code 7106 the Bidder declares that the bid is not made in the interest of, or on behalf of, any undisclosed person, partnership, company, association, organization, or corporation; that the bid is genuine and not collusive or sham; that the Bidder has not directly or indirectly induced or solicited any other bidder to put in a false or sham bid, and has not directly or indirectly colluded, conspired, connived, or agreed with any bidder or anyone else to put in a sham bid, or that anyone shall refrain from bidding; that the Bidder has not in any manner, directly or indirectly, sought by agreement, communication, or conference with anyone to fix the bid price of the bidder or any other bidder, or to fix any overhead, profit, or cost element of the bid price, or of that of any other bidder, or to secure any advantage against the public body awarding the Contract of anyone interested in the proposed Contract; that all statements contained in the bid are true; and, further, that the Bidder has not, directly or indirectly, submitted his or her bid price or any breakdown thereof, or the contents thereof, or divulged information or data relative thereto, or paid, and will not pay, any fee to any corporation, partnership, company, association, organization, bid depository, or to any member or agent thereof to effectuate a collusive or sham bid.

NOTE:

The above Noncollusion Affidavit is part of the Proposal. Signing this Proposal on the signature portion thereof shall also constitute signature of this Noncollusion Affidavit.

Bidders are cautioned that making a false certification may subject the certifier to criminal prosecution.

IRAN CONTRACTING ACT CERTIFICATION

(Public Contract Code Section 2200 *et seq.*)

As required by California Public Contract Code Section 2204, I certify subject to penalty for perjury that: i) I am duly authorized to execute this certification on behalf of Bidder; and ii) the option checked below relating to my status in regard to the Iran Contracting Act of 2010 (Public Contract Code Section 2200 *et seq.*) is true and correct:

Bidder is not:

(i) identified on the current list of persons and entities engaging in investment activities in Iran prepared by the California Department of General Services in accordance with subdivision (b) of Public Contract Code Section 2203; or

(ii) a financial institution that extends, for 45 days or more, credit in the amount of \$20,000,000 or more to any other person or entity identified on the current list of persons and entities engaging in investment activities in Iran prepared by the California Department of General Services in accordance with subdivision (b) of Public Contract Code Section 2203, if that person or entity uses or will use the credit to provide goods or services in the energy sector in Iran.

The County has exempted Bidder from the requirements of the Iran Contracting Act of 2010 after making a public finding that, absent the exemption, the County will be unable to obtain the goods and/or services to be provided pursuant to the Agreement.

The amount of the contract payable to Bidder for the work does not exceed \$1,000,000.

Signed _____

Titled _____

Firm _____

Date _____

Note: In accordance with Public Contract Code Section 2205, false certification of this form shall be reported to the California Attorney General and may result in civil penalties equal to the greater of \$250,000 or twice the contract amount, termination of the contract and/or ineligibility to bid on public contracts for three years.

**DEBARMENT, SUSPENSION, INELIGIBILITY, AND VOLUNTARY EXCLUSION CERTIFICATION,
UNITED STATES DEPARTMENT OF TRANSPORTATION(USDOT) 2 CODE OF FEDERAL
REGULATIONS (CFR) 1200 FEDERAL AGENCY REGULATIONS FOR GRANTS AND
AGREEMENTS 2 CFR 180, AND EXECUTIVE ORDERS 12549 AND 12689**

The Bidder, under penalty of perjury, certifies that, except as noted below, he/she or any other person associated therewith in the capacity of owner, partner, director, officer, or manager:

- is not currently under suspension, debarment, voluntary exclusion, or determination of ineligibility by any Federal agency;
- has not been suspended, debarred, voluntarily excluded or determined ineligible by any Federal agency within the past 3 years;
- does not have a proposed debarment pending; and
- has not been indicted, convicted, or had a civil judgment rendered against it by a court of competent jurisdiction in any matter involving fraud or official misconduct within the past 3 years.

If there are any exceptions to this certification, insert the exceptions in the following space.

Exceptions will not necessarily result in denial of award, but will be considered in determining Bidder responsibility. For any exception noted above, indicate below to whom it applies, initiating agency, and dates of action.

Bidder further agrees by submitting this Proposal that it will include this clause without modification in all lower tier transactions, solicitations, proposals, contracts, and subcontracts. Where any lower tier participant is unable to certify to this statement, it shall attach an explanation to its proposal to the prime contractor.

Notes: Providing false information may result in criminal prosecution or administrative sanctions.
The above certification is part of the Proposal. Signing this Proposal on the signature portion thereof shall also constitute signature of this Certification.

NON-LOBBYING CERTIFICATION FOR FEDERAL-AID CONTRACTS

The prospective participant certifies, by signing and submitting this bid or proposal, to the best of his or her knowledge and belief, that:

- (1) No federal or state appropriated funds have been paid or will be paid, by or on behalf of the undersigned, to any person for influencing or attempting to influence an officer or employee of any federal or state agency, a member of the State Legislature or United States Congress, an officer or employee of the Legislature or Congress, or an employee of a Member of the Legislature or Congress in connection with the awarding of any state or federal contract, including this Contract, the making of any federal grant, the making of any state or federal loan, the entering into of any cooperative contract, and the extension, continuation, renewal, amendment, or modification of any state or federal contract, grant, loan, or cooperative contract.
- (2) If any funds other than federal appropriated funds have been paid, or will be paid, to any person for influencing or attempting to influence an officer or employee of any federal agency, a member of Congress, an officer or employee of Congress or an employee of a member of Congress in connection with this Contract, grant, local, or cooperative contract, the Bidder shall complete and submit Standard Form-LLL, " Disclosure of Lobbying Activities," in accordance with the form instructions.

This certification is a material representation of fact upon which reliance was placed when this transaction was made or entered into. Submission of this certification is a prerequisite for making or entering into this transaction imposed by Section 1352, Title 31, U.S. Code. Any person who fails to file the required certification shall be subject to a civil penalty of not less than \$10,000 and not more than \$100,000 for each such failure.

The Bidder also agrees by submitting its bid or Proposal that it shall require that the language of this certification be included in all of its subcontracts which exceed \$100,000 and that all such subcontractors shall certify and disclose accordingly. If the Bidder is awarded this Contract, it shall ensure that all subcontractors submit certifications regarding federal lobbying activities as required by Section 1352, Title 31, United States Code and that all such certifications are made a part of any subcontracts entered into as a result of this Contract.

DISCLOSURE OF LOBBYING ACTIVITIES

COMPLETE THIS FORM TO DISCLOSE LOBBYING ACTIVITIES PURSUANT TO 31 U.S.C. 1352

<p>1. Type of Federal Action:</p> <p><input type="checkbox"/> a. contract <input type="checkbox"/> b. grant <input type="checkbox"/> c. cooperative agreement <input type="checkbox"/> d. loan <input type="checkbox"/> e. loan guarantee <input type="checkbox"/> f. loan insurance</p>	<p>2. Status of Federal Action:</p> <p><input type="checkbox"/> a. bid/offer/application <input type="checkbox"/> b. initial award <input type="checkbox"/> c. post-award</p>	<p>3. Report Type:</p> <p><input type="checkbox"/> a. initial <input type="checkbox"/> b. material change</p> <p>For Material Change Only: year _____ quarter _____ date of last report _____</p>
<p>4. Name and Address of Reporting Entity</p> <p><input type="checkbox"/> Prime <input type="checkbox"/> Subawardee Tier _____, if known</p> <p>Congressional District, if known</p>	<p>5. If Reporting Entity in No. 4 is Subawardee, Enter Name and Address of Prime:</p> <p>Congressional District, if known</p>	
<p>6. Federal Department/Agency:</p>	<p>7. Federal Program Name/Description:</p> <p>CFDA Number, if applicable _____</p>	
<p>8. Federal Action Number, if known:</p>	<p>9. Award Amount, if known:</p>	
<p>10. Name and Address of Lobby Entity (If individual, last name, first name, MI)</p> <p>(attach Continuation Sheet(s) if necessary)</p>	<p>11. Individuals Performing Services (including address if different from No. 10a) (last name, first name, MI)</p> <p>(attach Continuation Sheet(s) if necessary)</p>	
<p>12. Amount of Payment (check all that apply)</p> <p>\$ _____ <input type="checkbox"/> actual <input type="checkbox"/> planned</p>	<p>14. Type of Payment (check all that apply)</p> <p><input type="checkbox"/> a. retainer <input type="checkbox"/> b. one-time fee <input type="checkbox"/> c. commission <input type="checkbox"/> d. contingent fee <input type="checkbox"/> e. deferred <input type="checkbox"/> f. other, specify _____</p>	
<p>13. Form of Payment (check all that apply):</p> <p><input type="checkbox"/> a. cash <input type="checkbox"/> b. in-kind; specify: nature _____ Value _____</p>		
<p>15. Brief Description of Services Performed or to be performed and Date(s) of Service, including officer(s), employee(s), or member(s) contacted, for Payment Indicated in Item 11:</p> <p>(attach Continuation Sheet(s) if necessary)</p>		
<p>16. Continuation Sheet(s) attached: Yes <input type="checkbox"/> No <input type="checkbox"/></p>		
<p>17. Information requested through this form is authorized by Title 31 U.S.C. Section 1352. This disclosure of lobbying reliance was placed by the tier above when his transaction was made or entered into. This disclosure is required pursuant to 31 U.S.C. 1352. This information will be reported to Congress semiannually and will be available for public inspection. Any person who fails to file the required disclosure shall be subject to a civil penalty of not less than \$10,000 and not more than \$100,000 for each such failure.</p>	<p>Signature: _____ Print Name: _____ Title: _____ Telephone No.: _____ Date: _____</p>	
<p>Federal Use Only:</p> <p style="text-align: right;">Authorized for Local Reproduction Standard Form - LLL</p>		

Standard Form LLL Rev. 04-28-06

INSTRUCTIONS FOR COMPLETION OF SF-LLL, DISCLOSURE OF LOBBYING ACTIVITIES

This disclosure form shall be completed by the reporting entity, whether subawardee or prime federal recipient at the initiation or receipt of covered federal action or a material change to previous filing pursuant to title 31 U.S.C. Section 1352. The filing of a form is required for such payment or agreement to make payment to lobbying entity for influencing or attempting to influence an officer or employee of any agency, a Member of Congress an officer or employee of Congress or an employee of a Member of Congress in connection with a covered federal action. Attach a continuation sheet for additional information if the space on the form is inadequate. Complete all items that apply for both the initial filing and material change report. Refer to the implementing guidance published by the Office of Management and Budget for additional information.

1. Identify the type of covered federal action for which lobbying activity is or has been secured to influence, the outcome of a covered federal action.
2. Identify the status of the covered federal action.
3. Identify the appropriate classification of this report. If this is a follow-up report caused by a material change to the information previously reported, enter the year and quarter in which the change occurred. Enter the date of the last, previously submitted report by this reporting entity for this covered federal action.
4. Enter the full name, address, city, state, and zip code of the reporting entity. Include Congressional District if known. Check the appropriate classification of the reporting entity that designates if it is or expects to be a prime or subaward recipient. Identify the tier of the subawardee, e.g., the first subawardee of the prime is the first tier. Subawards include but are not limited to: subcontracts, subgrants, and contract awards under grants.
5. If the organization filing the report in Item 4 checks "Subawardee" then enter the full name, address, city, state, and zip code of the prime federal recipient. Include Congressional District, if known.
6. Enter the name of the federal agency making the award or loan commitment. Include at least one organization level below agency name, if known. For example, Department of Transportation, United States Coast Guard.
7. Enter the federal program name or description for the covered federal action (item 1). If known, enter the full Catalog of Federal Domestic Assistance (CFDA) number for grants, cooperative agreements, loans and loan commitments.
8. Enter the most appropriate federal identifying number available for the federal action identification in item 1 (e.g., Request for Proposal (RFP) number, Invitation for Bid (IFB) number, grant announcement number, the contract grant. or loan award number, the application/proposal control number assigned by the federal agency). Include prefixes, e.g., "RFP-DE-90-001."
9. For a covered federal action where there has been an award or loan commitment by the Federal agency, enter the federal amount of the award/loan commitments for the prime entity identified in item 4 or 5.
10. Enter the full name, address, city, state, and zip code of the lobbying entity engaged by the reporting entity identified in Item 4 to influence the covered federal action.
11. Enter the full names of the individual(s) performing services and include full address if different from 10 (a). Enter Last Name, First Name and Middle Initial (MI).
12. Enter the amount of compensation paid or reasonably expected to be paid by the reporting entity (Item 4) to the lobbying entity (Item 10). Indicate whether the payment has been made (actual) or will be made (planned). Check all boxes that apply. If this is a material change report, enter the cumulative amount of payment made or planned to be made.
13. Check all boxes that apply. If payment is made through an in-kind contribution, specify the nature and value of the in-kind payment.
14. Check all boxes that apply. If other, specify nature.
15. Provide a specific and detailed description of the services that the lobbyist has performed or will be expected to perform and the date(s) of any services rendered. Include all preparatory and related activity not just time spent in actual contact with federal officials. Identify the federal officer(s) or employee(s) contacted or the officer(s) employee(s) or Member(s) of Congress that were contacted.
16. Check whether or not a continuation sheet(s) is attached.
17. The certifying official shall sign and date the form, and print his/her name title and telephone number.

Public reporting burden for this collection of information is estimated to average 30-minutes per response, including time for reviewing instruction, searching existing data sources, gathering and maintaining the data needed, and completing and reviewing the collection of information. Send comments regarding the burden estimate or any other aspect of this collection of information, including suggestions for reducing this burden, to the Office of Management and Budget, Paperwork Reduction Project (0348-0046), Washington, D.C. 20503. SF-LLL-Instructions Rev. 06-04

OPT OUT OF PAYMENT ADJUSTMENTS FOR PRICE INDEX FLUCTUATIONS

You may opt out of the payment adjustments for price index fluctuations as specified in "Payment Adjustments for Price Index Fluctuations" of the Standard Specifications. If you elect to opt out of the provisions of this specification, complete this form and submit it with your bid.

Bidder Name: _____

Contract PW 18-31120

I opt out of the payment adjustments for price index fluctuations.

Date: _____

Signature: _____

Accompanying this proposal is _____
(NOTICE: INSERT THE WORDS "CASH(\$ ___),"CASHIER'S CHECK," "CERTIFIED CHECK," OR "BIDDERS BOND," AS THE CASE MAY BE)

in amount equal to at least ten percent of the amount of the total bid.

The names of all persons interested in the forgoing Proposal as principals are as follows:

IMPORTANT NOTICE: If the Bidder or other interested person is a corporation, state legal name of corporation and place of incorporation, also names of the president, secretary, treasurer, and executive officer thereof; if a partnership, state name of partnership, also names of all individual partners; if Bidder or other interested person is an individual, state first and last names in full.

Licensed in accordance with an act providing for the registration of Contractors,

License No. _____ Classification(s) _____

(A Copy of the afore-referenced license must be attached hereto.)

ADDENDA: This Proposal is submitted with respect to the changes to the Contract included in addenda number (s) _____
(Fill in addenda numbers if addenda have been received and insert, in this Proposal, any Proposal Pay Items and Bid Price Schedules that were received as part of the addenda)

By my signature on this Proposal I certify, under penalty of perjury under the laws of the State of California, that the foregoing questionnaire and statements of Public Contract Code Sections 10162, 10232, and 10285.1 are true and correct and that the Bidder has complied with the requirements of Sections 4104 of the Subletting and Subcontracting Fair Practices Act and of Section 8103 of the Fair Employment and Housing Commission Regulations (Chapter 5 of Division 4 of Title 2 of the California Code of Regulations). By my signature on this Proposal I further certify, under penalty of perjury under the laws of the State of California and the United States of America, that the Noncollusion Affidavit required by Title 23 United States Code, Section 112 and Public Contract Code Section 7106; and the Equal Employment Opportunity Certification; Iran Contracting Act Certification, and the Debarment Suspension, Ineligibility and Voluntary Exclusion Certification; the Non-lobbying Certification for Federal-Aid Contracts and the Disclosure of Lobbying Activities (Standard Form LLL); the Fair Employment Practice Addendum, the Nondiscrimination Assurances, the CA 590 Form, Payee Data Record, and the Opt Out of Payment Adjustments for Price Index Fluctuations, if elected, and the Electronic Files Usage Acknowledgement form, if elected, are true and correct.

The person or persons executing this Proposal on behalf of a corporation or partnership shall be prepared to demonstrate by resolution, article, or otherwise, that such person is or that such persons are appropriately authorized to act in these regards for such corporation or partnership. Such authority shall be demonstrated to the satisfaction of the County of El Dorado.

If the signature is by an agent other than an officer of a corporation or a member of a partnership, a power of attorney authorizing said act by the agent on behalf of his principal shall be submitted with the bid forms; otherwise, the bid may be disregarded as irregular and unauthorized.

The Bidder's execution on the signature portion of this Proposal shall constitute an endorsement and execution of those affidavits, declarations and certifications which are part of this Proposal.

Executed this _____ day of _____, 20____

at _____ County, State of _____



Name and Title of Bidder _____

Name of Firm _____

INSTRUCTIONS – CONSTRUCTION CONTRACT DBE COMMITMENT

ALL BIDDERS:

PLEASE NOTE: This information may be submitted with your bid. If it is not, and you are the apparent low bidder or the second or third low bidder, it must be submitted and received as specified in the Special Provisions. Failure to submit the required DBE commitment will be grounds for finding the bid non-responsive.

The form requires specific information regarding the construction contract: Local Agency, Location, Project Description, Total Contract Amount, Bid Date, Bidder's Name, and Contract DBE Goal.

The form has a column for the Description of Work, Service, or Materials Supplied (Box 11). The bid item number and description of work, service, or materials supplied to be provided by DBEs must be provided in this section. Prime contractors shall indicate all work to be performed by DBEs including, if the prime is a DBE, work performed by its own forces, if a DBE. The DBE shall provide a certification number to the Contractor and expiration date. Enter the DBE prime's and subcontractors' certification numbers. The form has a column for the DBE Contact Information (who must be certified on the date bids are opened and include the DBE address and phone number).

The form has a line for Total Dollar Amount for ALL Subcontractors (Line 8). Enter the total dollar amount for all subcontracted contractors (both DBE and Non-DBE) on this line. Do not include the prime contractor information in this count. The Form has a line for Total Number of ALL Subcontractors (Line 9). Enter the total number of all subcontracted contractors (both DBE and Non-DBE). Do not include the prime contractor information in this count.

IMPORTANT: Identify **all** DBE firms participating in the project regardless of tier. Names of the First-Tier DBE Subcontractors and their respective item(s) of work listed should be consistent, where applicable, with the names and items of work in the " Subcontractor List" submitted with your bid.

There is a column for the DBE participation dollar amount (Box 14). Enter the Total Claimed DBE Participation dollars and percentage amount of items of work submitted with your bid pursuant to the Special Provisions. (If 100% of item is not to be performed or furnished by the DBE, describe exact portion of item to be performed or furnished by the DBE.) See Section 2-1.12B to determine how to count the participation of DBE firms.

Exhibit 15-G must be signed and dated by the person bidding. Also list a phone number in the space provided and print the name of the person to contact.

Local agencies should complete the Local Agency Contract Award, Federal-aid Project Number, Federal Share, Contract Award Date fields and verify that all information is complete and accurate before signing and filing.

**EXHIBIT 15-H DBE INFORMATION —GOOD FAITH EFFORTS
DBE INFORMATION - GOOD FAITH EFFORTS**

Federal-aid Project No. ER 32LO (091) Bid Opening Date _____

The County of El Dorado established a Disadvantaged Business Enterprise (DBE) goal of 12% for this project. The information provided herein shows that a good faith effort was made.

Lowest, second lowest and third lowest bidders shall submit the following information to document adequate good faith efforts. Bidders should submit the following information even if the "Local Agency Bidder DBE Commitment" form indicates that the bidder has met the DBE goal. This will protect the bidder's eligibility for award of the contract if the administering agency determines that the bidder failed to meet the goal for various reasons, e.g., a DBE firm was not certified at bid opening, or the bidder made a mathematical error.

Submittal of only the "15-G – Construction Contract DBE Commitment" form may not provide sufficient documentation to demonstrate that adequate good faith efforts were made.

The following items are listed in the Section 2-1.12B(3):

- A. The names and dates of each publication in which a request for DBE participation for this project was placed by the bidder (please attach copies of advertisements or proofs of publication):

Publications	Dates of Advertisement
_____	_____
_____	_____
_____	_____

- B. The names and dates of written notices sent to certified DBEs soliciting bids for this project and the dates and methods used for following up initial solicitations to determine with certainty whether the DBEs were interested (please attach copies of solicitations, telephone records, fax confirmations, etc.):

Names of DBEs Solicited	Date of Initial Solicitation	Follow Up Methods and Dates
_____	_____	_____
_____	_____	_____
_____	_____	_____
_____	_____	_____
_____	_____	_____
_____	_____	_____
_____	_____	_____

C. The items of work which the bidder made available to DBE firms including, where appropriate, any breaking down of the contract work items (including those items normally performed by the bidder with its own forces) into economically feasible units to facilitate DBE participation. It is the bidder's responsibility to demonstrate that sufficient work to facilitate DBE participation was made available to DBE firms.

Items of Work	Bidder Normally Performs Item (Y/N)	Breakdown of Items	Amount (\$)	Percentage Of Contract

D. The names, addresses and phone numbers of rejected DBE firms, the reasons for the bidder's rejection of the DBEs, the firms selected for that work (please attach copies of quotes from the firms involved), and the price difference for each DBE if the selected firm is not a DBE:

Names, addresses and phone numbers of rejected DBEs and the reasons for the bidder's rejection of the DBEs:

Names, addresses and phone numbers of firms selected for the work above:

E. Efforts made to assist interested DBEs in obtaining bonding, lines of credit or insurance, and any technical assistance or information related to the plans, specifications and requirements for the work which was provided to DBEs:

F. Efforts made to assist interested DBEs in obtaining necessary equipment, supplies, materials or related assistance or services, excluding supplies and equipment the DBE subcontractor purchases or leases from the prime contractor or its affiliate:

G. The names of agencies, organizations or groups contacted to provide assistance in contacting, recruiting and using DBE firms (please attach copies of requests to agencies and any responses received, i.e., lists, Internet page download, etc.):

Name of Agency/Organization	Method/Date of Contact	Results

H. Any additional data to support a demonstration of good faith efforts (use additional sheets if necessary):

NOTE: USE ADDITIONAL SHEETS OF PAPER IF NECESSARY.

END OF PROPOSAL

COUNTY OF EL DORADO

BIDDER'S BOND

this form MUST be used

KNOW ALL PEOPLE BY THESE PRESENTS, THAT WE _____
_____ as **PRINCIPAL**, and

as Surety are held and firmly bound unto the County of El Dorado, a political subdivision of the State of California (hereinafter referred to as "Obligee"), in the penal sum of **TEN (10) PERCENT OF THE AMOUNT OF THE TOTAL BID PRICE** of the Principal above named, submitted by said Principal to the Obligee for the work described below, for the payment of which sum in lawful money of the United States, well and truly to be made to the Obligee, we the Principal and Surety bind ourselves, our heirs, executors, administrators and successors, jointly and severally, firmly by these presents. In no case shall the liability of the Surety hereunder exceed the sum of

TEN PERCENT (10%) OF THE AMOUNT OF THE TOTAL BID PRICE

THE CONDITION OF THIS OBLIGATION IS SUCH, THAT:

WHEREAS, the Principal has submitted the above-mentioned Bid to the Obligee, as aforesaid, for certain construction specifically described as follows, for which bids are to be opened at Placerville, El Dorado County, California, for the construction of the

**AIRPORTN ROAD STORM DAMAGE REPAIR PROJECT
PW No. 18-31120 / CIP No. 78717**

NOW, THEREFORE, if the aforesaid Principal is awarded the Contract and, within the time and manner required under the Contract Documents, after the prescribed forms are presented to it for signature, enters into a written contract, in the prescribed form, in accordance with the Bid, and files two bonds with the Obligee, one to guarantee faithful performance and the other to guarantee payment for labor and materials, as required by law, then this obligation shall be null and void; otherwise, it shall remain in full force and virtue.

In the event suit is brought upon this bond by the Obligee and judgment is recovered, the Surety shall pay all costs incurred by the Obligee in such suit, including a reasonable attorney's fee to be fixed by the Court.

IN WITNESS WHEREOF, we have set our hands and seals on this _____ day of _____ 20__

Bond No. _____

(seal) _____
Principal

(seal) _____
Surety

Address: _____

(NOTE: Signature of those executing for the Surety shall be properly acknowledged, and accompanied by a Certificate of Acknowledgment.)

SURETY

ACKNOWLEDGMENT

A notary public or other officer completing this certificate verifies only the identity of the individual who signed the document to which this certificate is attached, and not the truthfulness, accuracy, or validity of that document.

State of California

County of _____

On _____ before me, _____,
(here insert name and title of the officer)

personally appeared _____

who proved to me on the basis of satisfactory evidence to be the person(s) whose name(s) is/are subscribed to the within instrument and acknowledged to me that he/she/they executed the same in his/her/their authorized capacity(ies), and that by his/her/their signature(s) on the instrument the person(s), or the entity upon behalf of which the person(s) acted, executed the instrument.

I certify under PENALTY OF PERJURY under the laws of the State of California that the foregoing paragraph is true and correct.

WITNESS my hand and official seal.

Signature _____

(Seal)