

COUNTY OF EL DORADO, CA DEPARTMENT OF TRANSPORTATION

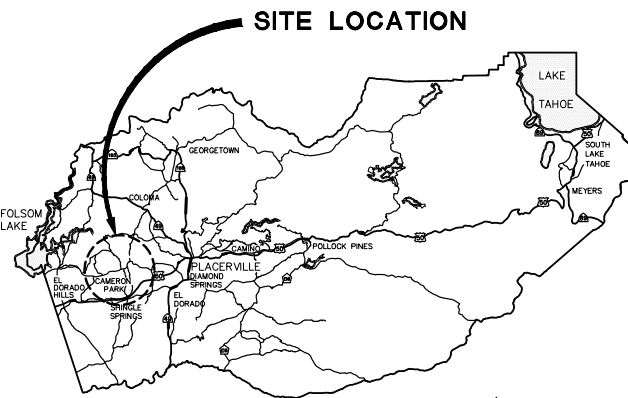
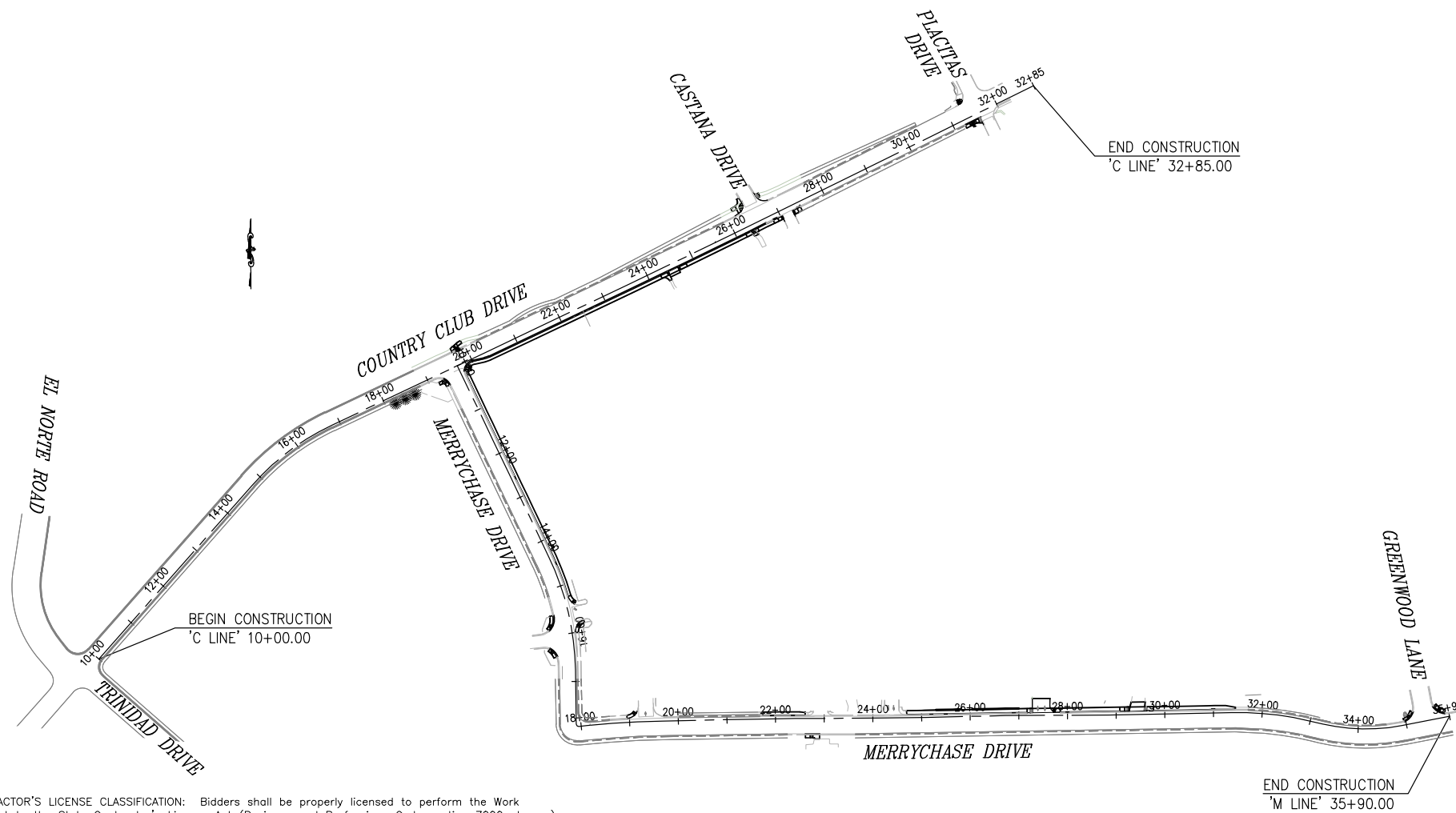
PROJECT PLANS FOR THE CONSTRUCTION OF MERRYCHASE/COUNTRY CLUB DRIVE IMPROVEMENTS

IN THE COUNTY OF EL DORADO, DISTRICT 2
ALONG MERRYCHASE DRIVE AND COUNTRY CLUB DRIVE FROM EL NORTE ROAD TO PLACITAS DRIVE

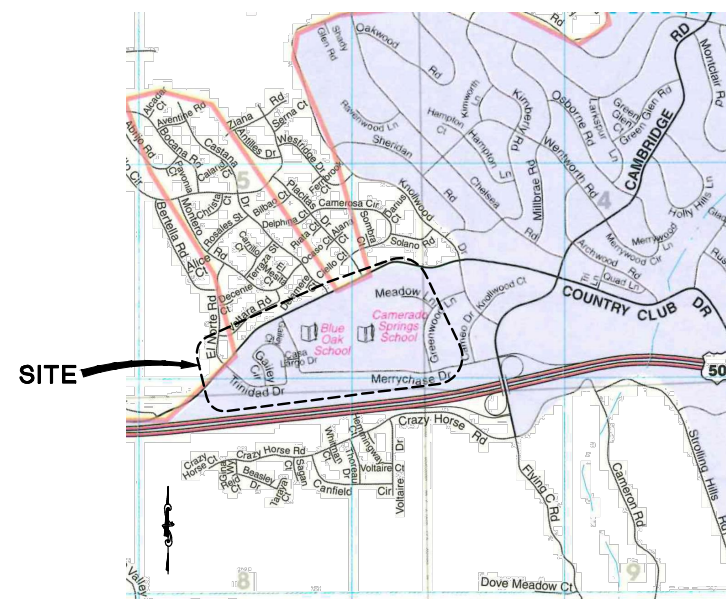
To be supplemented with Standard Plans and Specifications dated 2018, including
the amendments to the 2018 Standard Specifications, of the California
Department of Transportation, unless otherwise noted.

INDEX OF SHEETS

SHEET	PLAN SHEET	TITLE
1		TITLE SHEET
2-4	CD-1 thru CD-3	SURVEY CONTROL DIAGRAM
5	X-1	TYPICAL SECTIONS
6-9	L-1 thru L-4	LAYOUT PLAN & PROFILE
10-22	C-1 thru C-13	CONSTRUCTION DETAILS
23-24	C-14 thru C-15	QUANTITIES
25-29	SC-1 thru SC-5	CONSTRUCTION AREA SIGNS
30-33	EC-1 thru EC-4	EROSION CONTROL
34-38	SPD-1 thru SPD-5	SIGNING & STRIPING
39	SPD-6	SIGNING & STRIPING QUANTITIES
40-41	RW-1 thru RW-2	RETAINING WALL PLAN & PROFILE
42-43	E-1 thru E-2	ELECTRICAL PLAN



VICINITY MAP
COUNTY OF EL DORADO



LOCATION MAP
NOT TO SCALE

FEDERAL AID PROJECT
CML 5925 (145)

BOARD OF SUPERVISORS

I	JOHN HIDAHL
II	GEORGE TURNBOO
III	WENDY THOMAS
IV	LORI PARLIN
V	SUE NOVASEL

**COUNTY OF EL DORADO
DEPARTMENT OF TRANSPORTATION**

(530) 621-5900
2850 FAIRLANE CT
PLACERVILLE, CA 95667

ADOPTED AND APPROVED BY:

DATE	DATE	DATE

JOHN HIDAHL
CHAIR, EL DORADO COUNTY BOARD OF SUPERVISORS

APPROVED BY:

BASEL MARTINEZ, DIRECTOR
DEPARTMENT OF TRANSPORTATION

MATTHEW D. SMELTZER P.E. NO. C56832
DEPUTY DIRECTOR, ENGINEERING

CONTRACT NO. 4546 PROJECT NO. 72312

**MERRYCHASE / COUNTRY CLUB
DRIVE IMPROVEMENTS**

TITLE SHEET

SHEET **1** OF **43**

CONTRACTOR'S LICENSE CLASSIFICATION: Bidders shall be properly licensed to perform the Work pursuant to the State Contractor's License Act (Business and Professions Code section 7000 et seq.) and shall possess a CLASS A LICENSE or equivalent combination of Classes required by the categories and type of Work included in the Contract Documents and Plans. Failure of the successful Bidder to obtain proper and adequate licensing at the time bids are submitted shall constitute a failure to execute the Contract, and forfeiture as provided under that section.

REVISIONS

MARK	DATE	BY

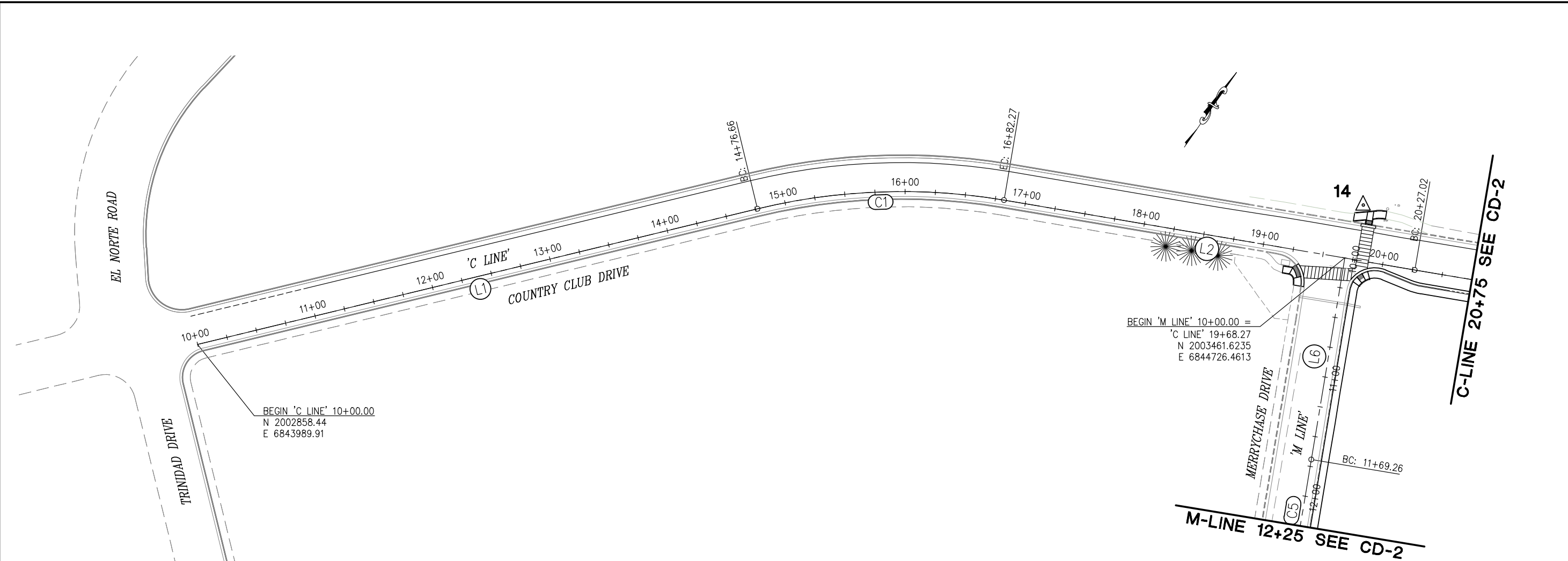


SITE PLAN
SCALE: 1" = 150'



SUBMITTED BY: *[Signature]*
CIVIL ENGINEER
STATE OF CALIFORNIA NO. _____
DATE 4/2/2021

ORIGINAL SCALE IS IN INCHES
 Drawing name: Z:\Civil 3D\Projects\72312_Merry Chase and Country Club Dr Ped-Bike Improvements\CADD_Files\Sheets\CD_Sheets.dwg Layout Tab: CD-1 Apr 01, 2021 - 2:59pm ANguyen
 FOR REDUCED PLANS



LEGEND:

X DENOTES CONTROL POINT AND NUMBER.

NOTE:

BEARINGS, DISTANCES, STATIONING, AND COORDINATES SHOWN HEREON ARE BASED ON THE CALIFORNIA COORDINATE SYSTEM OF 1983, ZONE 2 (2010.00) US SURVEY FEET. DIVIDE DISTANCES BY 0.999890 TO OBTAIN GROUND DISTANCES.
 ELEVATIONS SHOWN HEREON REFERENCE NGVD29.

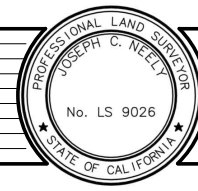
C LINE				
NUMBER	LENGTH	RADIUS	LINE / CHORD DIRECTION & LENGTH	DELTA
L1	476.66		N 41° 22' 58" E	
C1	205.61	508.00	N 52° 58' 39" E - 204.20	23° 11' 23"
L2	344.75		N 64° 39' 23" E	

M LINE				
NUMBER	LENGTH	RADIUS	LINE / CHORD DIRECTION & LENGTH	DELTA
L6	169.26		S 25° 33' 22" E	
C5	88.51	200000.01	S 25° 32' 37" E - 88.51	0° 01' 31"

CONTROL TABLE				
CONTROL NUMBER	NORTHING	EASTING	ELEVATION	DESCRIPTION
14	2003506.12	6844714.00	1189.98	CP Spike

SURVEY CONTROL DIAGRAM
 SCALE : 1" = 40'

REVISION	NUMBER	DATE	DESCRIPTION	BY



PREPARED UNDER THE SUPERVISION OF:
Joseph C. Neely
 PROFESSIONAL LAND SURVEYOR
 DATE: 4/2/2021

DESIGNED: JN
 DRAWN: AN
 CHECKED: JN
 DATE: 4/2/2021
 ROAD NUMBER: 198/334



COUNTY OF EL DORADO
 DEPARTMENT OF TRANSPORTATION

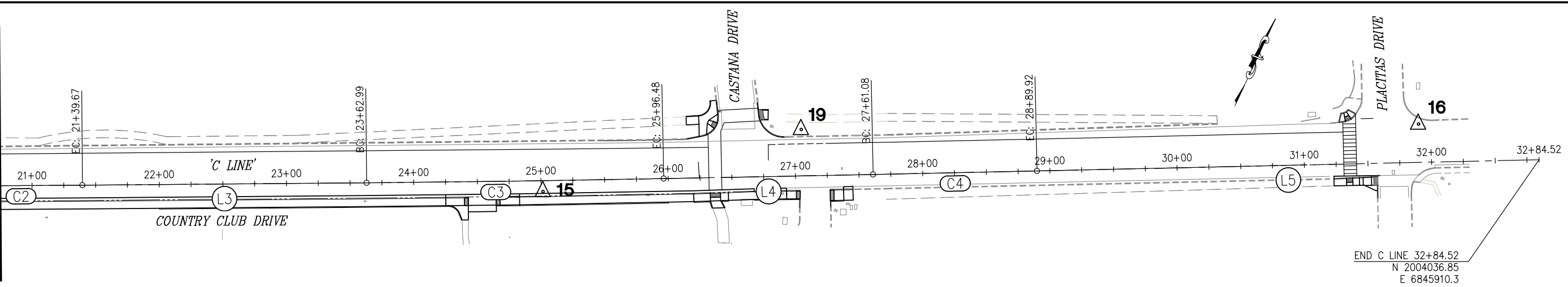
MERRYCHASE / COUNTRY CLUB DRIVE
 IMPROVEMENTS

SHEET
CD-1
 2 OF 43
 W.O. No. **72312**

ORIGINAL SCALE IS IN INCHES
 Drawing name: Z:\Civil 3D\Projects\72312_Merry Chase and Country Club Dr Ped-Bike Improvements\CADD_Files\Sheets\CD_Sheets.dwg Layout Tab: CD-2 Apr 01, 2021 - 3:00pm, ANguyen

C-LINE 20+75 SEE CD-2

M-LINE 12+25 SEE CD-1



END C LINE 32+84.52
 N 2004036.85
 E 6845910.3

CONTROL TABLE				
CONTROL NUMBER	NORTHING	EASTING	ELEVATION	DESCRIPTION
12	2002703.64	6845200.42	1192.23	CP Mag
13	2002867.43	6844977.56	1188.16	CP Mag
15	2003683.39	6845211.61	1177.74	CP Mag
16	2004022.18	6845812.64	1150.88	CP Mag
19	2003813.27	6845374.85	1165.95	CP Spike

LEGEND:

X DENOTES CONTROL POINT AND NUMBER.

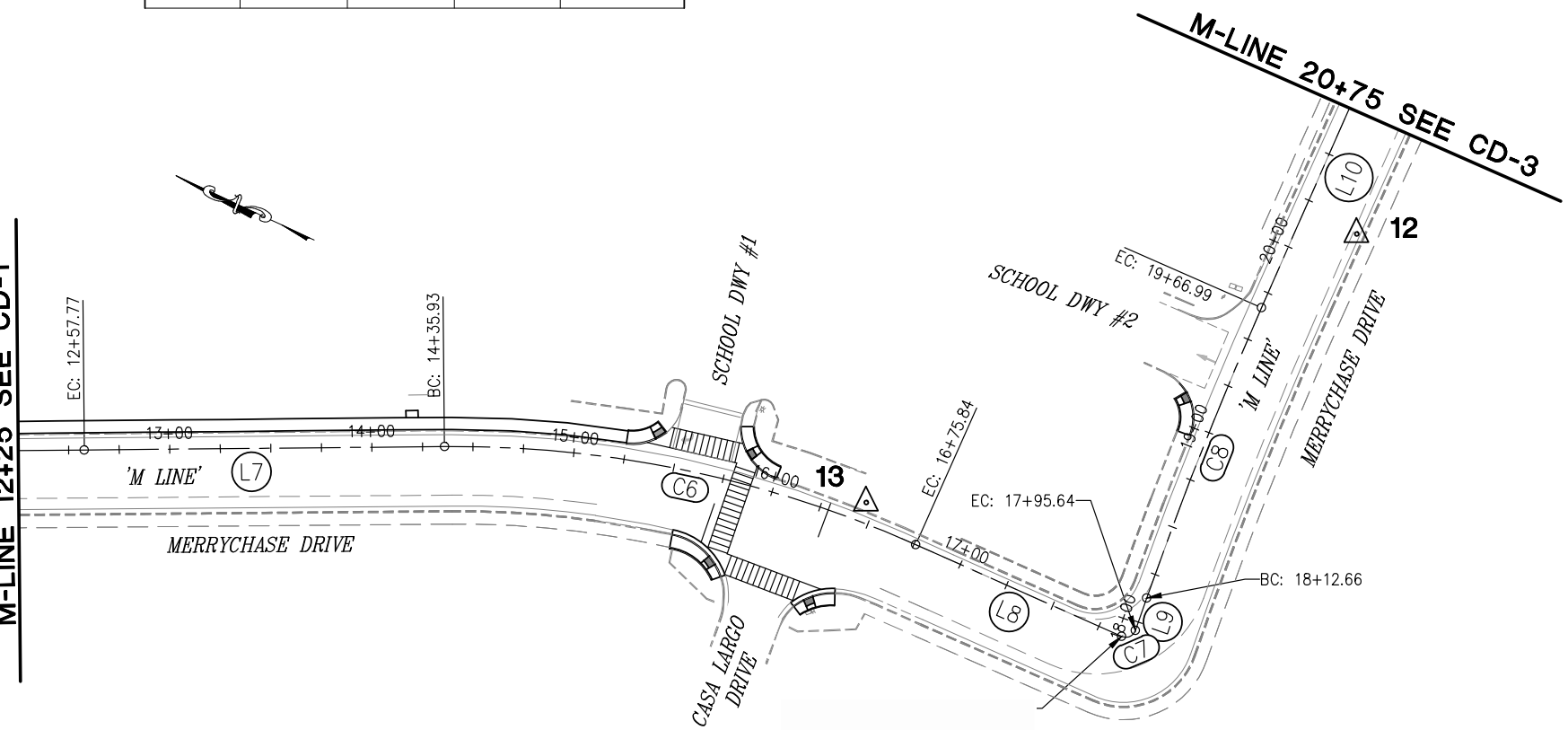
NOTE:

BEARINGS, DISTANCES, STATIONING, AND COORDINATES SHOWN HEREON ARE BASED ON THE CALIFORNIA COORDINATE SYSTEM OF 1983, ZONE 2 (2010.00) US SURVEY FEET. DIVIDE DISTANCES BY 0.9999890 TO OBTAIN GROUND DISTANCES.

ELEVATIONS SHOWN HEREON REFERENCE NGVD29.

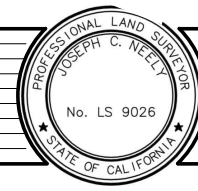
C LINE				
NUMBER	LENGTH	RADIUS	LINE / CHORD DIRECTION & LENGTH	DELTA
C2	112.65	50000.00	N 64° 35' 31" E - 112.65	0° 07' 45"
L3	223.32		N 64° 31' 38" E	
C3	233.50	20000.00	N 64° 11' 34" E - 233.50	0° 40' 08"
L4	164.59		N 63° 51' 30" E	
C4	128.84	50000.00	N 63° 47' 05" E - 128.84	0° 08' 52"
L5	394.61		N 63° 42' 39" E	

M LINE				
NUMBER	LENGTH	RADIUS	LINE / CHORD DIRECTION & LENGTH	DELTA
L7	178.15		S 25° 31' 51" E	
C6	239.91	560.00	S 13° 15' 27" E - 238.08	24° 32' 48"
L8	111.52		S 0° 59' 03" E	
C7	8.28	5.00	S 48° 25' 35" E - 7.37	94° 53' 03"
L9	17.02		N 84° 22' 51" E	
C8	154.33	2011.00	N 86° 34' 46" E - 154.30	4° 23' 50"
L10	194.29		N 88° 46' 41" E	



SURVEY CONTROL DIAGRAM
 SCALE : 1" = 40'

REVISION	NUMBER	DATE	DESCRIPTION	BY



PREPARED UNDER THE SUPERVISION OF:
Joseph C. Neely
 PROFESSIONAL LAND SURVEYOR
 DATE: 4/2/2021

DESIGNED: JN
 DRAWN: AN
 CHECKED: JN
 DATE: 4/2/2021
 ROAD NUMBER: 198/334



COUNTY OF EL DORADO
DEPARTMENT OF TRANSPORTATION

MERRYCHASE / COUNTRY CLUB DRIVE
IMPROVEMENTS

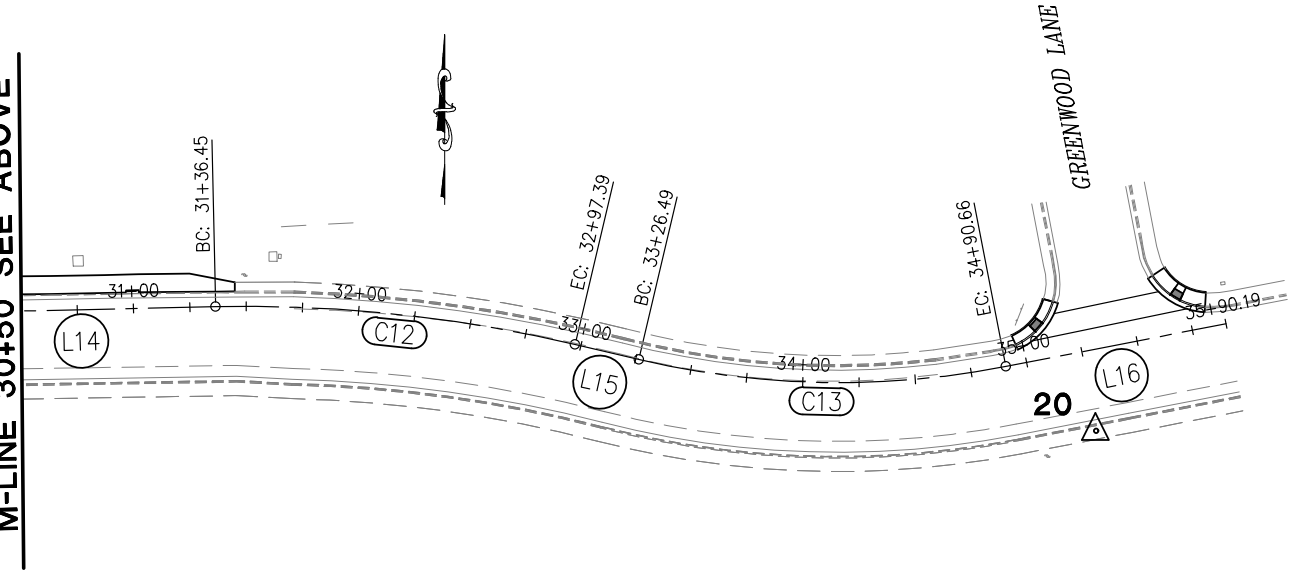
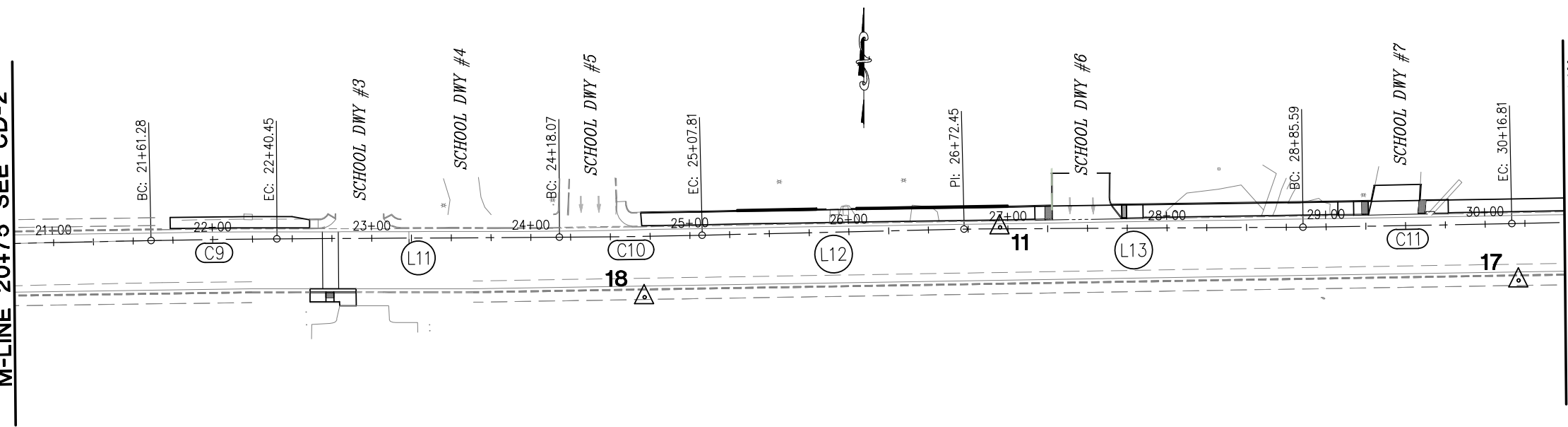
SHEET
CD-2
 3 OF 43
 W.O. No. **72312**

ORIGINAL SCALE IS IN INCHES
 Drawing name: Z:\Civil 3D Projects\72312_Merry Chase and Country Club Dr Ped-Bike Improvements\CADD Files\Sheets\CD_Sheets.dwg Layout Tab: CD-3 Apr 01, 2021 - 3:23pm ANguyen
 FOR REDUCED PLANS
 2
 1
 0

M-LINE 20+75 SEE CD-2

M-LINE 30+50 SEE ABOVE

M-LINE 30+50 SEE BELOW



LEGEND:

X DENOTES CONTROL POINT AND NUMBER.

NOTE:

BEARINGS, DISTANCES, STATIONING, AND COORDINATES SHOWN HEREON ARE BASED ON THE CALIFORNIA COORDINATE SYSTEM OF 1983, ZONE 2 (2010.00) US SURVEY FEET. DIVIDE DISTANCES BY 0.999890 TO OBTAIN GROUND DISTANCES.

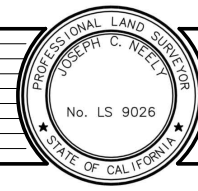
ELEVATIONS SHOWN HEREON REFERENCE NGVD29.

M LINE				
NUMBER	LENGTH	RADIUS	LINE / CHORD DIRECTION & LENGTH	DELTA
C9	79.17	5000.00	N 89° 13' 54" E - 79.17	0° 54' 26"
L11	177.62		N 89° 41' 07" E	
C10	89.74	5000.00	N 89° 10' 16" E - 89.74	1° 01' 42"
L12	164.64		N 88° 39' 25" E	
L13	213.13		N 89° 40' 43" E	
C11	131.23	20000.00	N 89° 02' 28" E - 131.22	0° 22' 33"
L14	119.63		N 88° 43' 59" E	
C12	160.94	636.00	S 84° 01' 03" E - 160.51	14° 29' 55"
L15	29.10		S 76° 46' 05" E	
C13	164.17	388.00	S 88° 53' 23" E - 162.95	24° 14' 36"
L16	99.52		N 78° 59' 19" E	

CONTROL TABLE				
CONTROL NUMBER	NORTHING	EASTING	ELEVATION	DESCRIPTION
11	2002743.43	6845875.42	1179.54	CP Mag
17	2002710.08	6846201.48	1163.10	CP Spike
18	2002699.59	6845651.95	1185.27	CP Mag
20	2002693.29	6846707.67	1169.50	CP Mag

SURVEY CONTROL DIAGRAM
SCALE : 1" = 40'

REVISION	NUMBER	DATE	DESCRIPTION	BY



PREPARED UNDER THE SUPERVISION OF:
Joseph C. Neely
 PROFESSIONAL LAND SURVEYOR
 DATE: 4/2/2021

DESIGNED: JN
 DRAWN: AN
 CHECKED: JN
 DATE: 4/2/2021
 ROAD NUMBER: 198/334

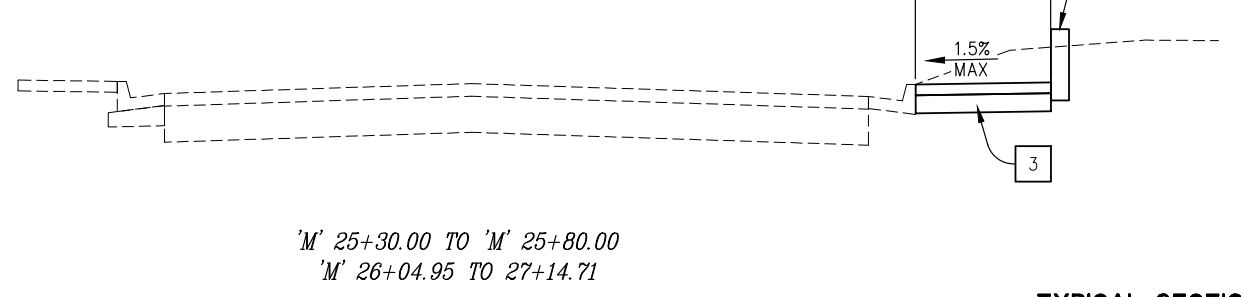
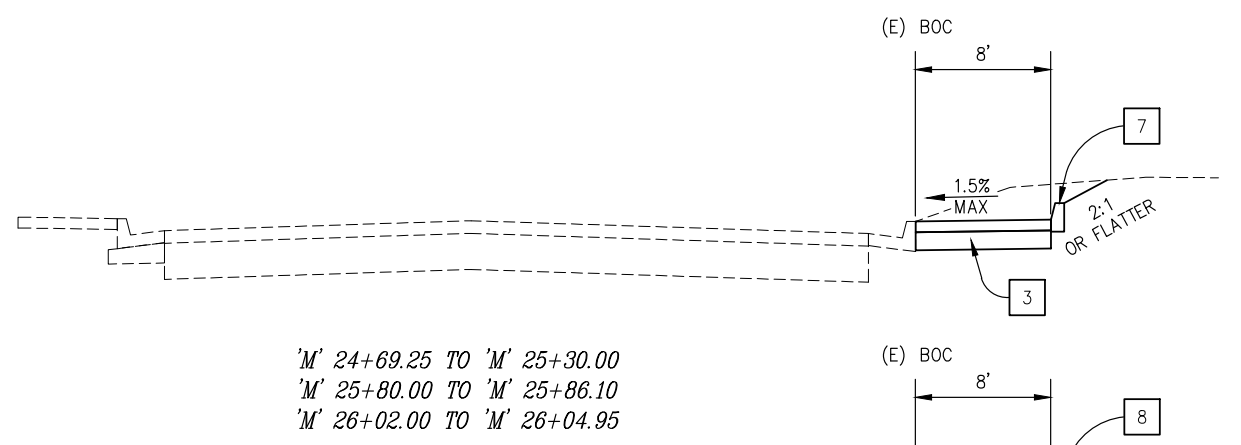
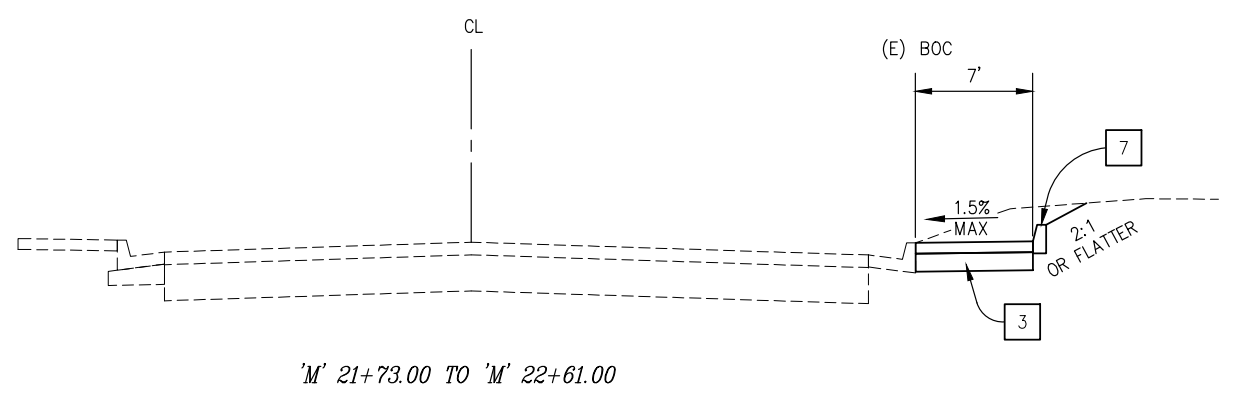
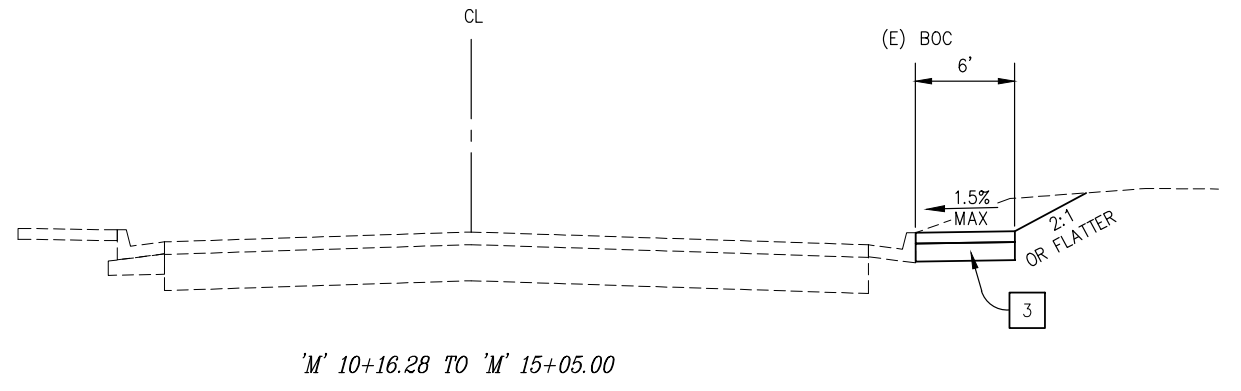
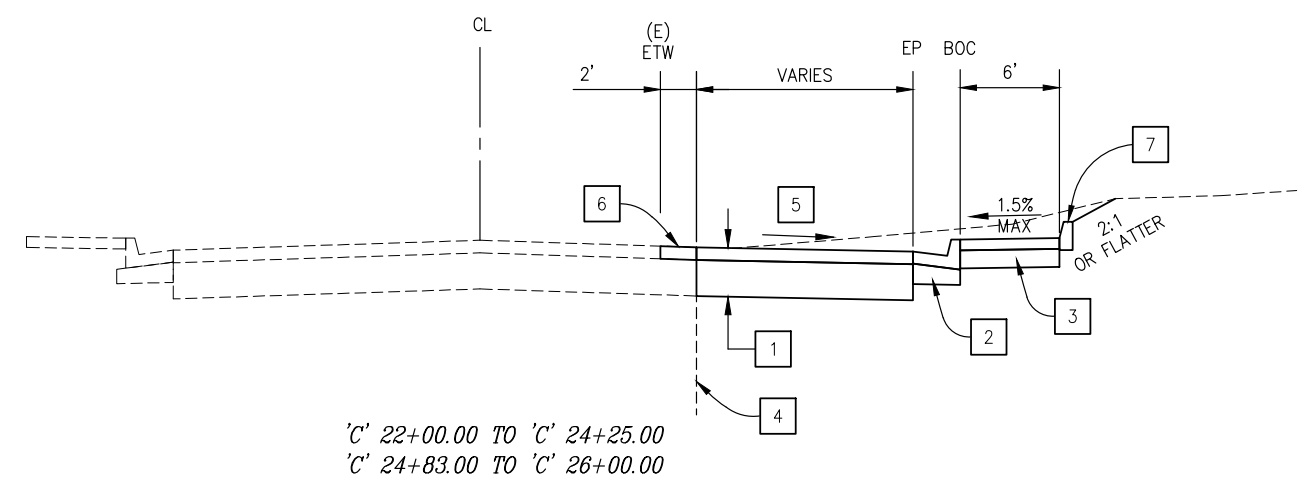
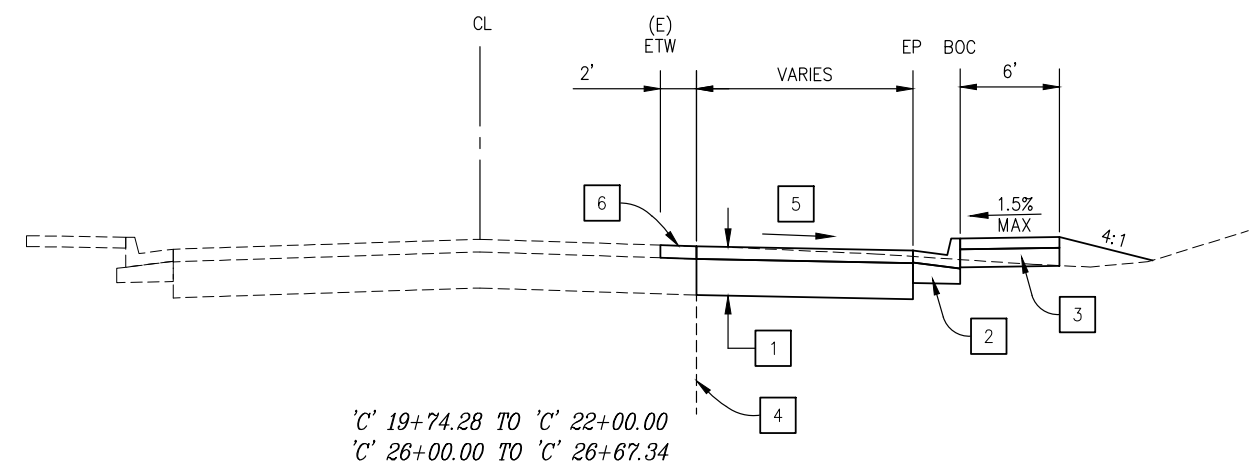


COUNTY OF EL DORADO
DEPARTMENT OF TRANSPORTATION

MERRYCHASE / COUNTRY CLUB DRIVE
IMPROVEMENTS

SHEET
CD-3
 4 OF 43
 W.O. No. **72312**

ORIGINAL SCALE IS IN INCHES
 Drawing name: Z:\Civil_3D\Projects\72312_Merry Chase and Country Club Dr Ped-Bike Improvements\CADD_Files\Sheets X Sheets.dwg Layout Tab: X-1 Apr 01, 2021 - 3:25pm ANguyen
 FOR REDUCED PLANS
 REVISION



CONSTRUCTION NOTES:

- | | |
|---|---|
| 1 — 0.35' HMA (TYPE A)
1.0' AB (CLASS 2) | 5 — 2% CROSS SLOPE |
| 2 — C&G (TYPE A2-6)
0.5' AB (CLASS 2) | 6 — 0.2' GRIND & PAVE |
| 3 — 0.3' PCC
0.5' AB (CLASS 2) | 7 — CURB (TYPE A1-8)
0.5' AB (CLASS 2) |
| 4 — SAWCUT 2' FROM (E) ETW | 8 — RETAINING WALL, SEE RW SHEETS |

90%

**TYPICAL SECTIONS
SCALE : NONE**

REVISION	NUMBER	DATE	DESCRIPTION	BY



PREPARED UNDER THE SUPERVISION OF:
Justin W. Harrington
 REGISTERED CIVIL ENGINEER
 DATE: 4/2/2021

DESIGNED: JN
 DRAWN: AN
 CHECKED: DH
 DATE: 4/2/2021
 ROAD NUMBER: 198/334

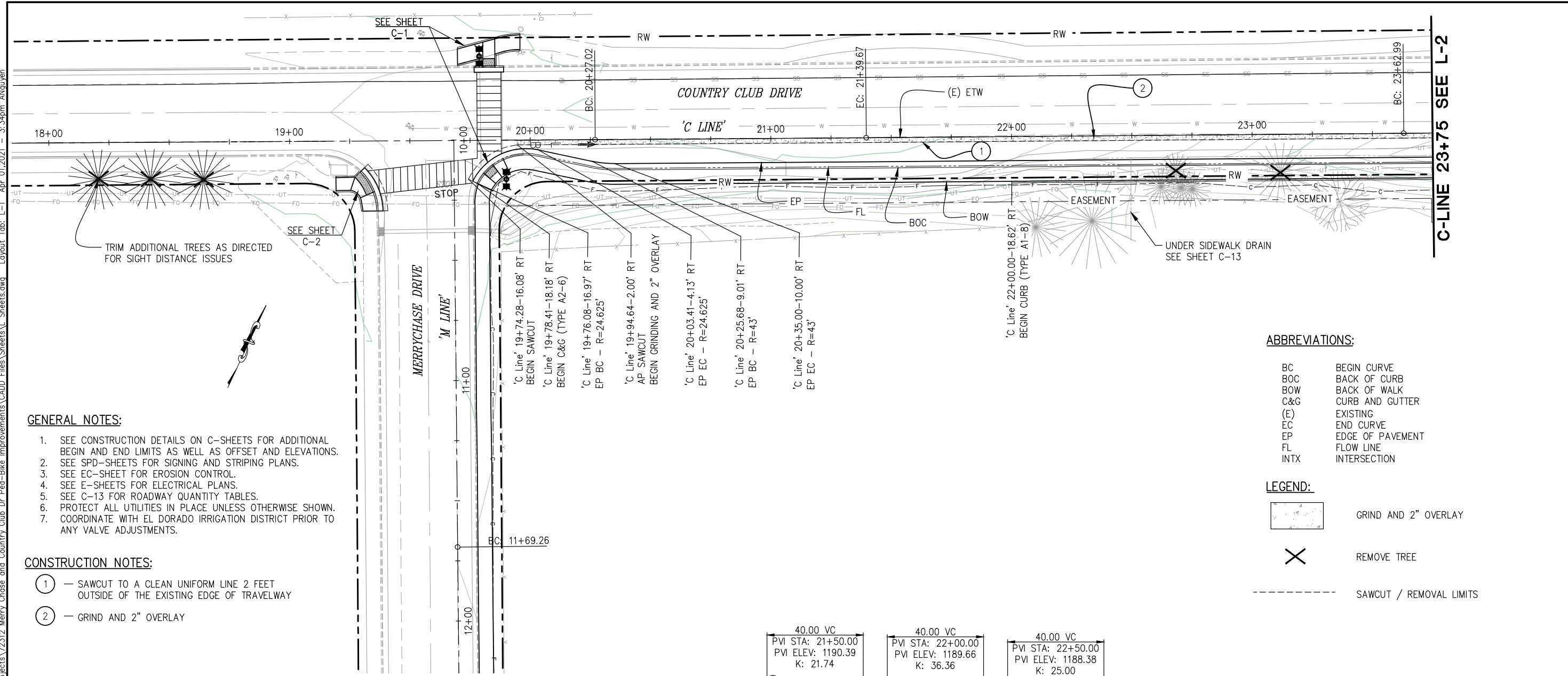


**COUNTY OF EL DORADO
DEPARTMENT OF TRANSPORTATION**

**MERRYCHASE / COUNTRY CLUB DRIVE
IMPROVEMENTS**

SHEET
X-1
 5 OF 43
 W.O. No. **72312**

ORIGINAL SCALE IS IN INCHES
 Drawing name: Z:\Civil_3D\Projects\72312 Merry Chase and Country Club Dr Ped-Bike Improvements\CADD_Files\Sheets\L_Sheets.dwg Layout Tab: L-1 Apr 01, 2021 - 3:34pm ANguyen
 FOR REDUCED PLANS
 REVISION



GENERAL NOTES:

1. SEE CONSTRUCTION DETAILS ON C-SHEETS FOR ADDITIONAL BEGIN AND END LIMITS AS WELL AS OFFSET AND ELEVATIONS.
2. SEE SPD-SHEETS FOR SIGNING AND STRIPING PLANS.
3. SEE EC-SHEET FOR EROSION CONTROL.
4. SEE E-SHEETS FOR ELECTRICAL PLANS.
5. SEE C-13 FOR ROADWAY QUANTITY TABLES.
6. PROTECT ALL UTILITIES IN PLACE UNLESS OTHERWISE SHOWN.
7. COORDINATE WITH EL DORADO IRRIGATION DISTRICT PRIOR TO ANY VALVE ADJUSTMENTS.

CONSTRUCTION NOTES:

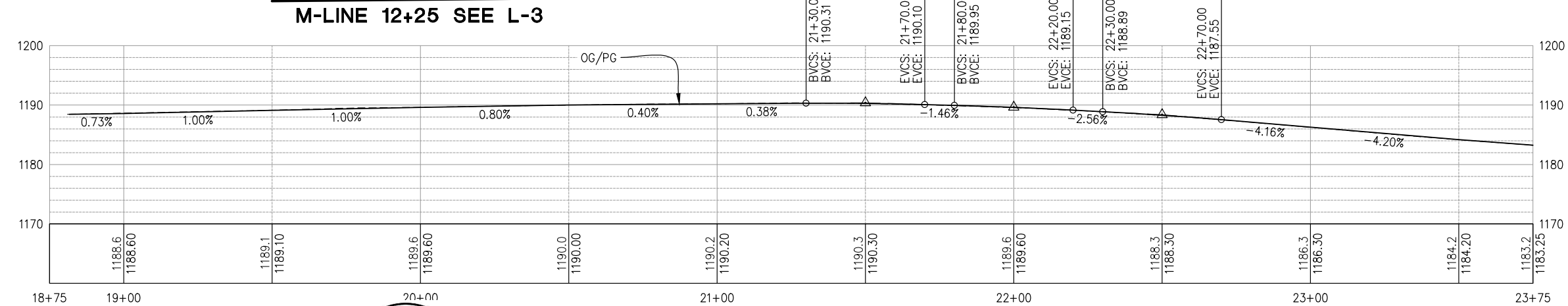
- ① — SAWCUT TO A CLEAN UNIFORM LINE 2 FEET OUTSIDE OF THE EXISTING EDGE OF TRAVELWAY
- ② — GRIND AND 2" OVERLAY

ABBREVIATIONS:

BC	BEGIN CURVE
BOC	BACK OF CURB
BOW	BACK OF WALK
C&G	CURB AND GUTTER
(E)	EXISTING
EC	END CURVE
EP	EDGE OF PAVEMENT
FL	FLOW LINE
INTX	INTERSECTION

LEGEND:

	GRIND AND 2" OVERLAY
	REMOVE TREE
	SAWCUT / REMOVAL LIMITS



**LAYOUT PLAN & PROFILE
SCALE : 1" = 20'**



PREPARED UNDER THE SUPERVISION OF :

 REGISTERED CIVIL ENGINEER
 DATE: 4/2/2021

DESIGNED: JN
 DRAWN: AN
 CHECKED: DH
 DATE: 4/2/2021
 ROAD NUMBER: 198/334

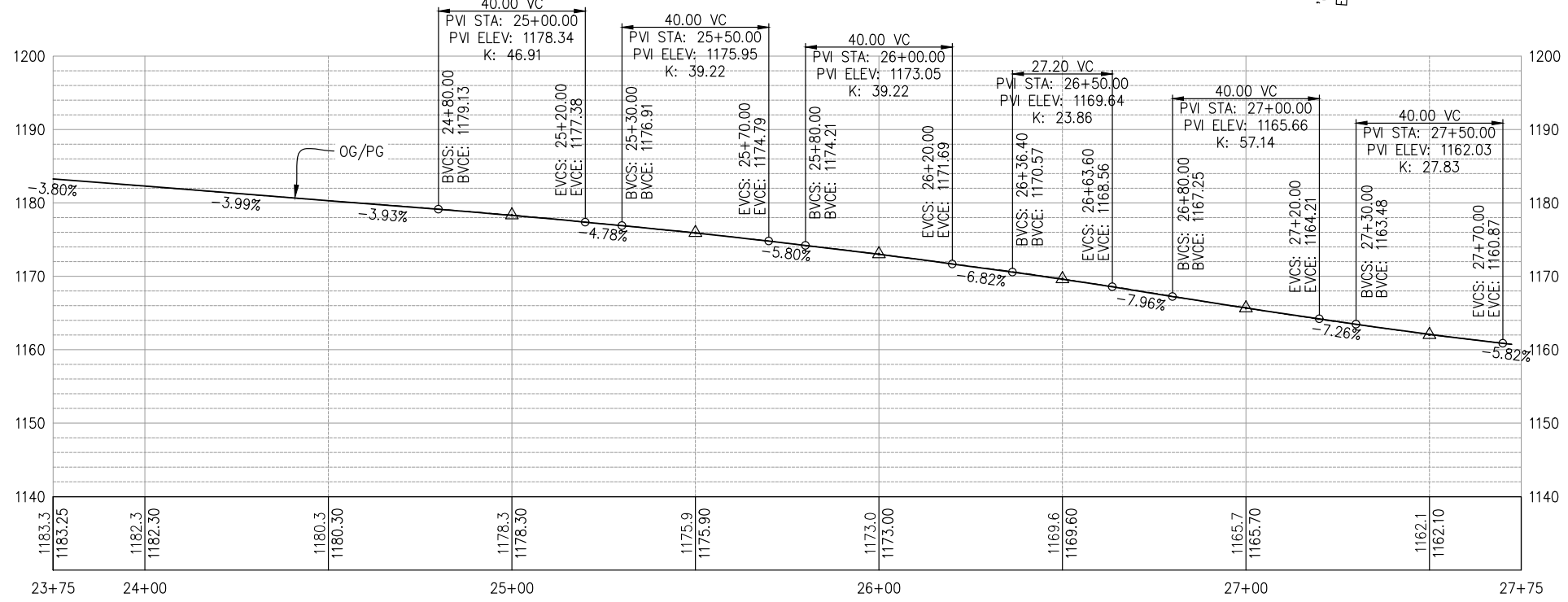
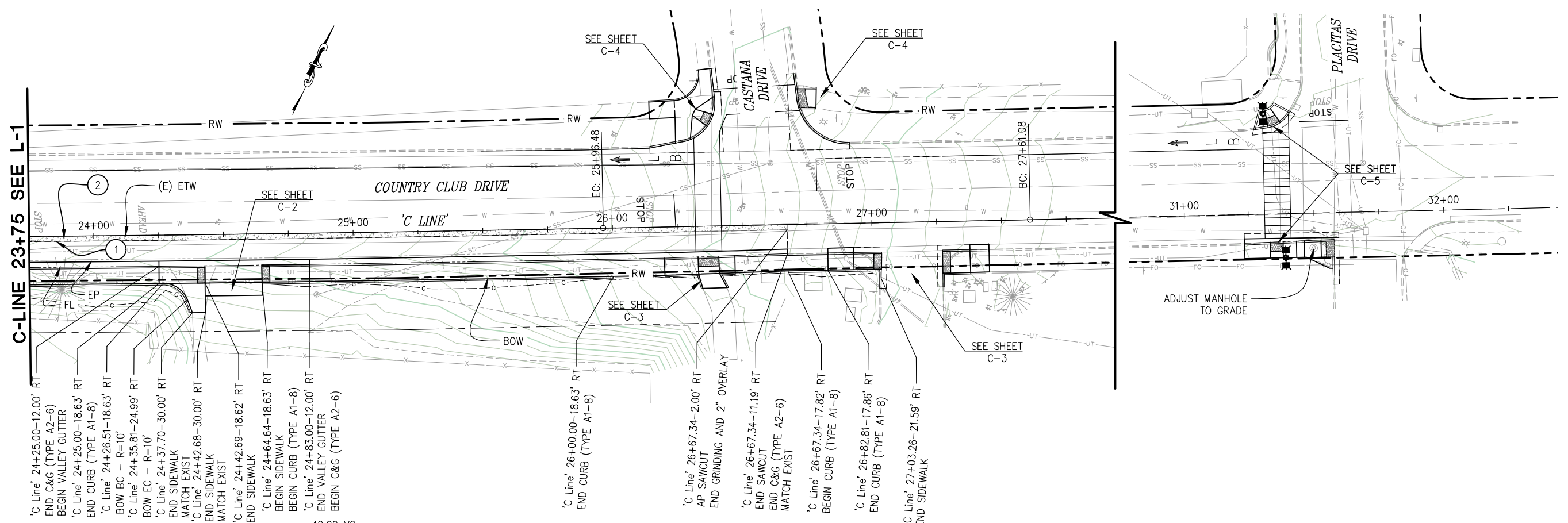


**COUNTY OF EL DORADO
 DEPARTMENT OF TRANSPORTATION**

**MERRYCHASE / COUNTRY CLUB DRIVE
 IMPROVEMENTS**

SHEET
L-1
 6 OF 43
 W.O. No. **72312**

ORIGINAL SCALE IS IN INCHES
 Drawing name: Z:\Civil_3D\Projects\72312_Merry Chase and Country Club Dr Ped-Bike Improvements\CADD_Files\Sheets\L_Sheets\L_Sheets.dwg Layout Tab: L-2 Apr 01, 2021 - 3:34pm ANguyen



GENERAL NOTES:
 1. SEE SHEET L-1 FOR LEGEND, ABBREVIATIONS, AND ADDITIONAL NOTES.

LAYOUT PLAN & PROFILE
 SCALE : 1" = 20'

REVISION	NUMBER	DATE	DESCRIPTION	BY



PREPARED UNDER THE SUPERVISION OF:
 [Signature]
 REGISTERED CIVIL ENGINEER
 DATE: 4/2/2021

DESIGNED: JN
 DRAWN: AN
 CHECKED: DH
 DATE: 4/2/2021
 ROAD NUMBER: 198/334



COUNTY OF EL DORADO
 DEPARTMENT OF TRANSPORTATION

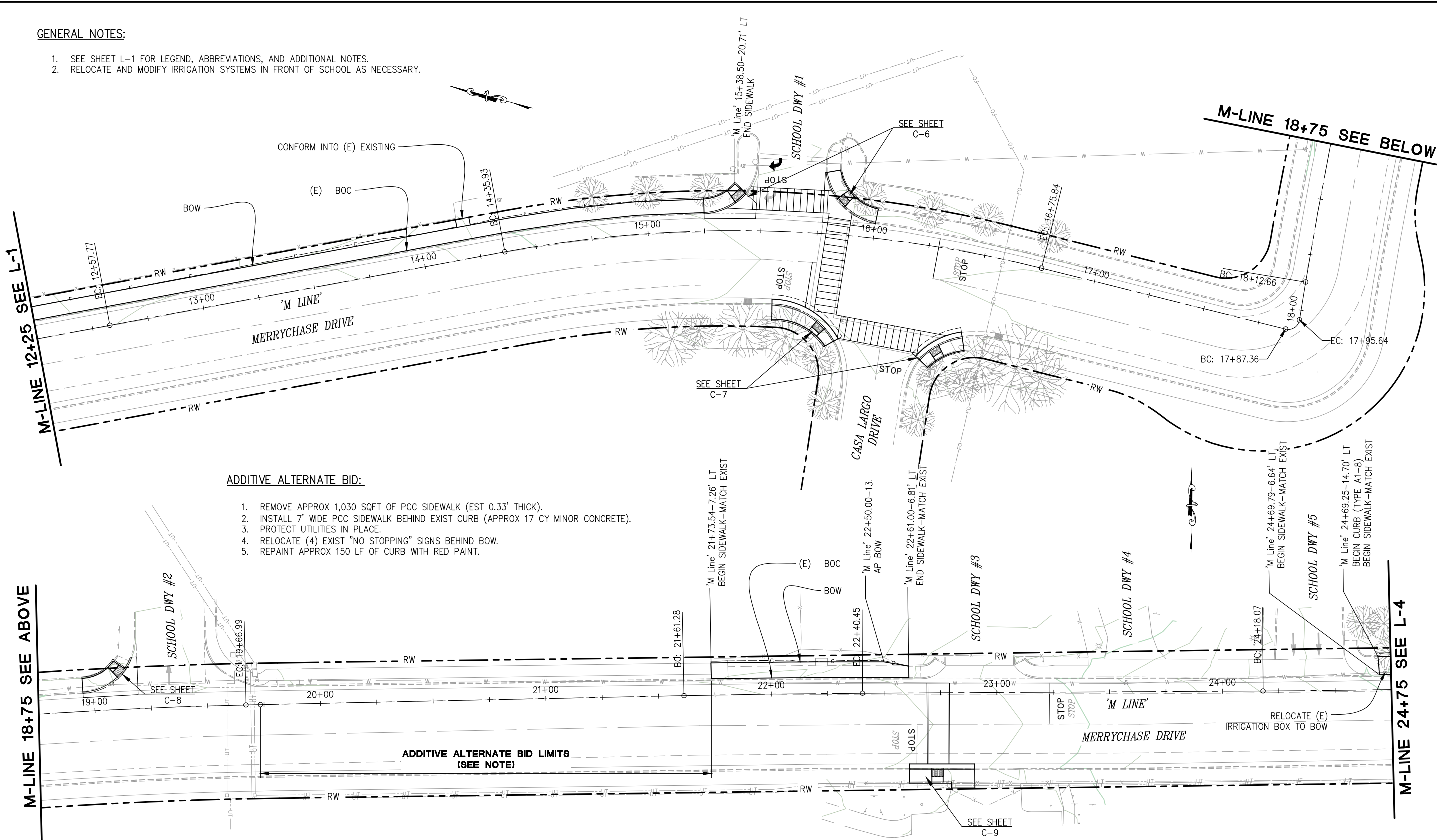
MERRYCHASE / COUNTRY CLUB DRIVE
 IMPROVEMENTS

SHEET
L-2
 7 OF 43
 W.O. No. **72312**

ORIGINAL SCALE IS IN INCHES
 Drawing name: Z:\Civil_3D\Projects\72312_Merry Chase and Country Club Dr Ped-Bike Improvements\CADD_Files\Sheets\L_Sheets.dwg Layout Tab: L-3 Apr 01, 2021 - 3:36pm ANguyen
 FOR REDUCED PLANS
 REVISION

GENERAL NOTES:

- SEE SHEET L-1 FOR LEGEND, ABBREVIATIONS, AND ADDITIONAL NOTES.
- RELOCATE AND MODIFY IRRIGATION SYSTEMS IN FRONT OF SCHOOL AS NECESSARY.



ADDITIVE ALTERNATE BID:

- REMOVE APPROX 1,030 SQFT OF PCC SIDEWALK (EST 0.33' THICK).
- INSTALL 7' WIDE PCC SIDEWALK BEHIND EXIST CURB (APPROX 17 CY MINOR CONCRETE).
- PROTECT UTILITIES IN PLACE.
- RELOCATE (4) EXIST "NO STOPPING" SIGNS BEHIND BOW.
- REPAINT APPROX 150 LF OF CURB WITH RED PAINT.

ADDITIVE ALTERNATE BID LIMITS (SEE NOTE)

**LAYOUT PLAN & PROFILE
SCALE : 1" = 20'**

REVISION	NUMBER	DATE	DESCRIPTION	BY



PREPARED UNDER THE SUPERVISION OF:

 REGISTERED CIVIL ENGINEER
 DATE: 4/2/2021

DESIGNED: JN
 DRAWN: AN
 CHECKED: DH
 DATE: 4/2/2021
 ROAD NUMBER: 198/334

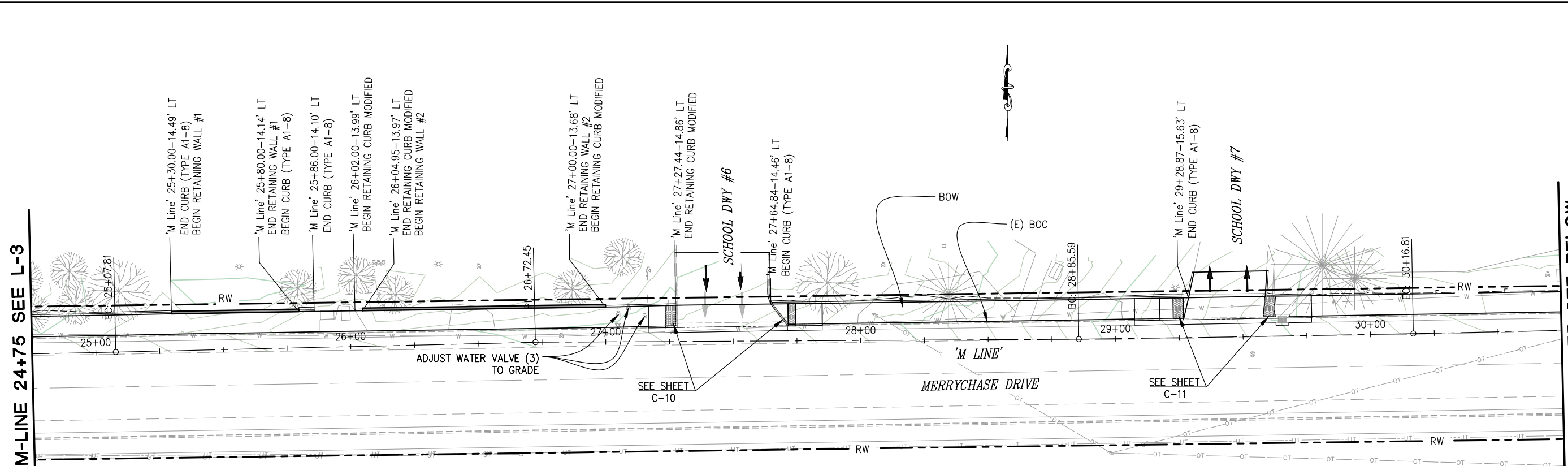


**COUNTY OF EL DORADO
DEPARTMENT OF TRANSPORTATION**

**MERRYCHASE / COUNTRY CLUB DRIVE
IMPROVEMENTS**

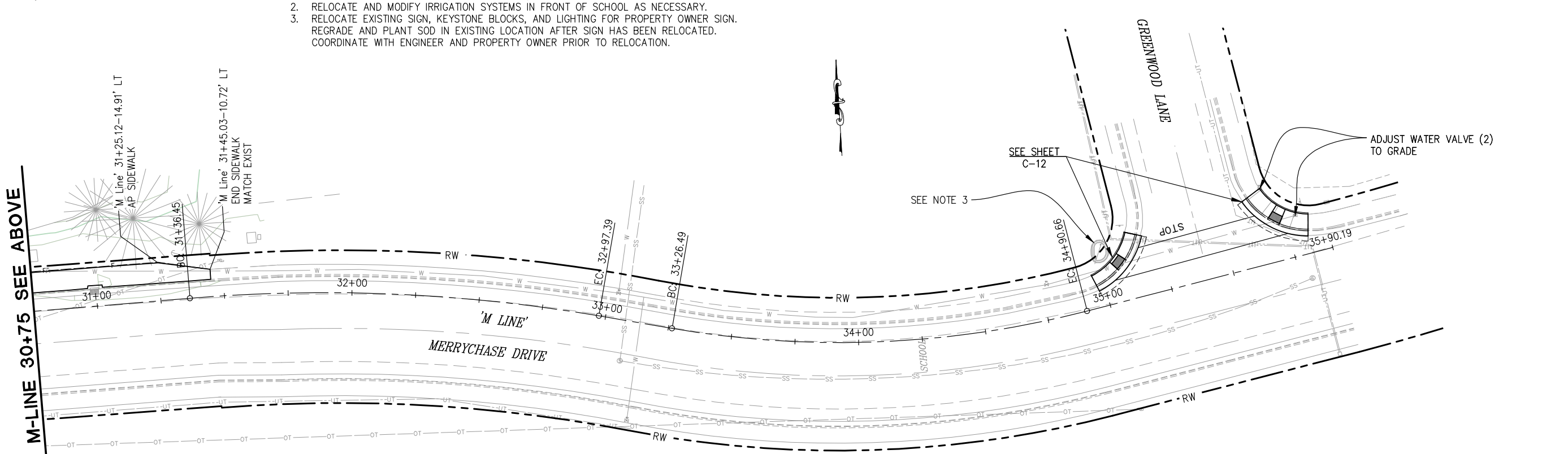
SHEET
L-3
8 OF 43
W.O. No. **72312**

ORIGINAL SCALE: 1/8" = 1' INCHES
 Drawing name: Z:\Civil_3D_Projects\72312_Merry Chase and Country Club Dr Ped-Bike Improvements\CADD_Files\Sheets\L_Sheets.dwg Layout Tab: L-4 Apr. 01, 2021 - 3:37pm Anquyen



GENERAL NOTES:

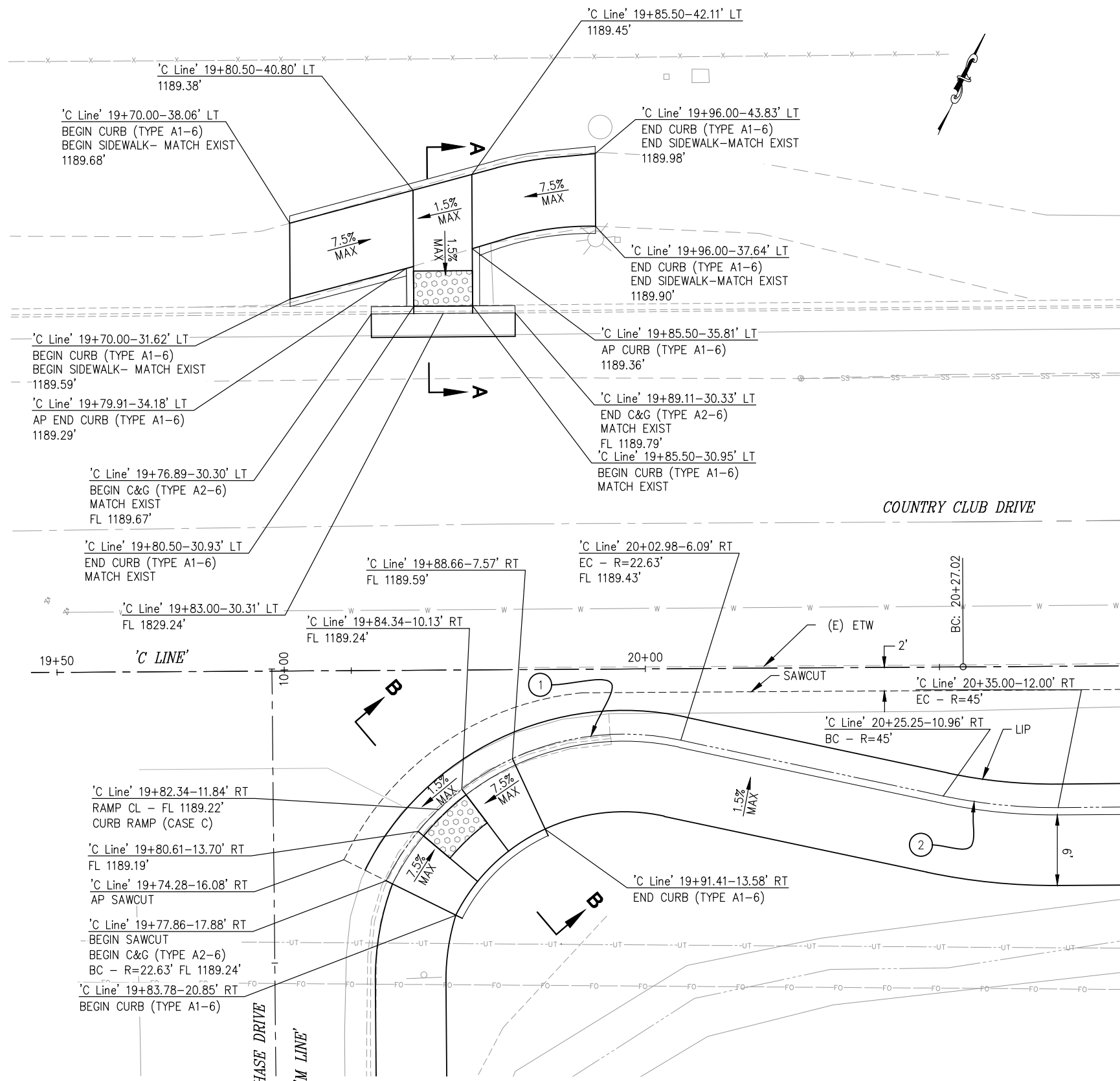
1. SEE SHEET L-1 FOR LEGEND, ABBREVIATIONS, AND ADDITIONAL NOTES.
2. RELOCATE AND MODIFY IRRIGATION SYSTEMS IN FRONT OF SCHOOL AS NECESSARY.
3. RELOCATE EXISTING SIGN, KEYSTONE BLOCKS, AND LIGHTING FOR PROPERTY OWNER SIGN. REGRADE AND PLANT SOD IN EXISTING LOCATION AFTER SIGN HAS BEEN RELOCATED. COORDINATE WITH ENGINEER AND PROPERTY OWNER PRIOR TO RELOCATION.



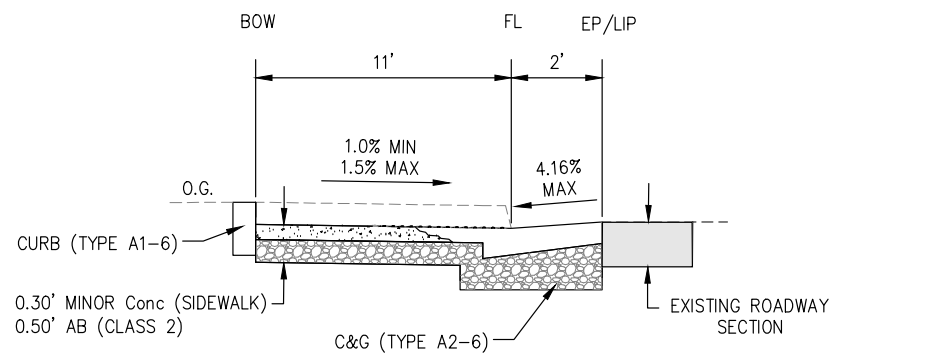
LAYOUT PLAN & PROFILE
SCALE : 1" = 20'

<table border="1" style="width: 100%; border-collapse: collapse;"> <thead> <tr> <th style="width: 10%;">REVISION</th> <th style="width: 10%;">NUMBER</th> <th style="width: 10%;">DATE</th> <th style="width: 10%;">DESCRIPTION</th> <th style="width: 10%;">BY</th> </tr> </thead> <tbody> <tr> <td> </td> <td> </td> <td> </td> <td> </td> <td> </td> </tr> </tbody> </table>	REVISION	NUMBER	DATE	DESCRIPTION	BY							PREPARED UNDER THE SUPERVISION OF: REGISTERED CIVIL ENGINEER DATE: 4/2/2021	DESIGNED: JN DRAWN: AN CHECKED: DH DATE: 4/2/2021 ROAD NUMBER: 198/334	<p style="text-align: center;">COUNTY OF EL DORADO DEPARTMENT OF TRANSPORTATION</p>	<p>MERRYCHASE / COUNTRY CLUB DRIVE IMPROVEMENTS</p>	SHEET L-4 9 OF 43 W.O. No. 72312
REVISION	NUMBER	DATE	DESCRIPTION	BY												

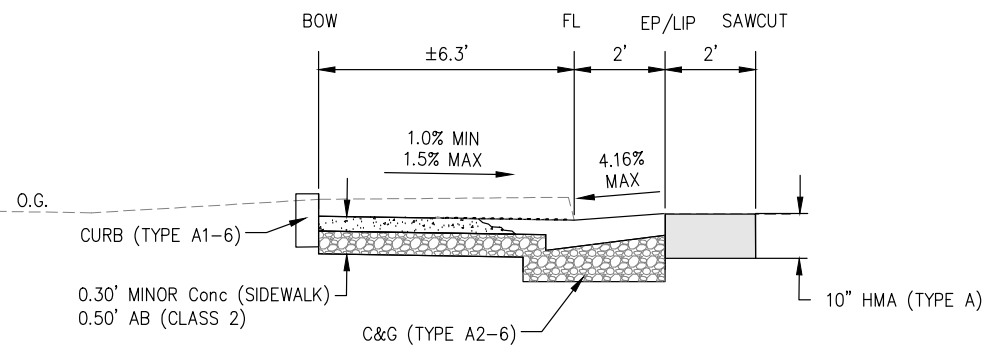
ORIGINAL SCALE IS IN INCHES
 Drawing name: Z:\Civil 3D Projects\72312 Merry Chase and Country Club Dr Ped-Bike Improvements\CADD Files\Sheets\C_Sheets.dwg Layout Tab: C-1 Feb 24/2021 12:05pm ANguyen
 FOR REDUCED PLANS



1 CURB RAMP DETAIL #1
SCALE: 1" = 5'



SECTION A-A
NO SCALE



SECTION B-B
NO SCALE

ABBREVIATIONS:

C&G CURB & GUTTER
LIP LIP OF GUTTER

GENERAL NOTES:

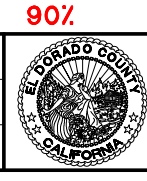
- FOR ADDITIONAL CURB RAMP DETAILS, SEE CALTRANS STANDARD PLAN A88A.
- FOR CURB (TYPE A1-6 & A1-8) AND CURB & GUTTER (TYPE A2-6), SEE CALTRANS STANDARD PLAN A87A.
- CALLOUTS FOR CURB & GUTTER ARE REFERRING TO FLOW LINE UNLESS OTHERWISE SHOWN.

CURVE DATA TABLE			
SEGMENT	LENGTH	DELTA	RADIUS
①	29.88	75° 40' 01"	22.63
②	9.83	12° 31' 02"	45.00

REVISION	NUMBER	DATE	DESCRIPTION	BY

PREPARED UNDER THE SUPERVISION OF:
REGISTERED CIVIL ENGINEER
DATE:

DESIGNED: JN
DRAWN: AN
CHECKED: DH DATE: 2/24/2021
ROAD NUMBER: 198/334

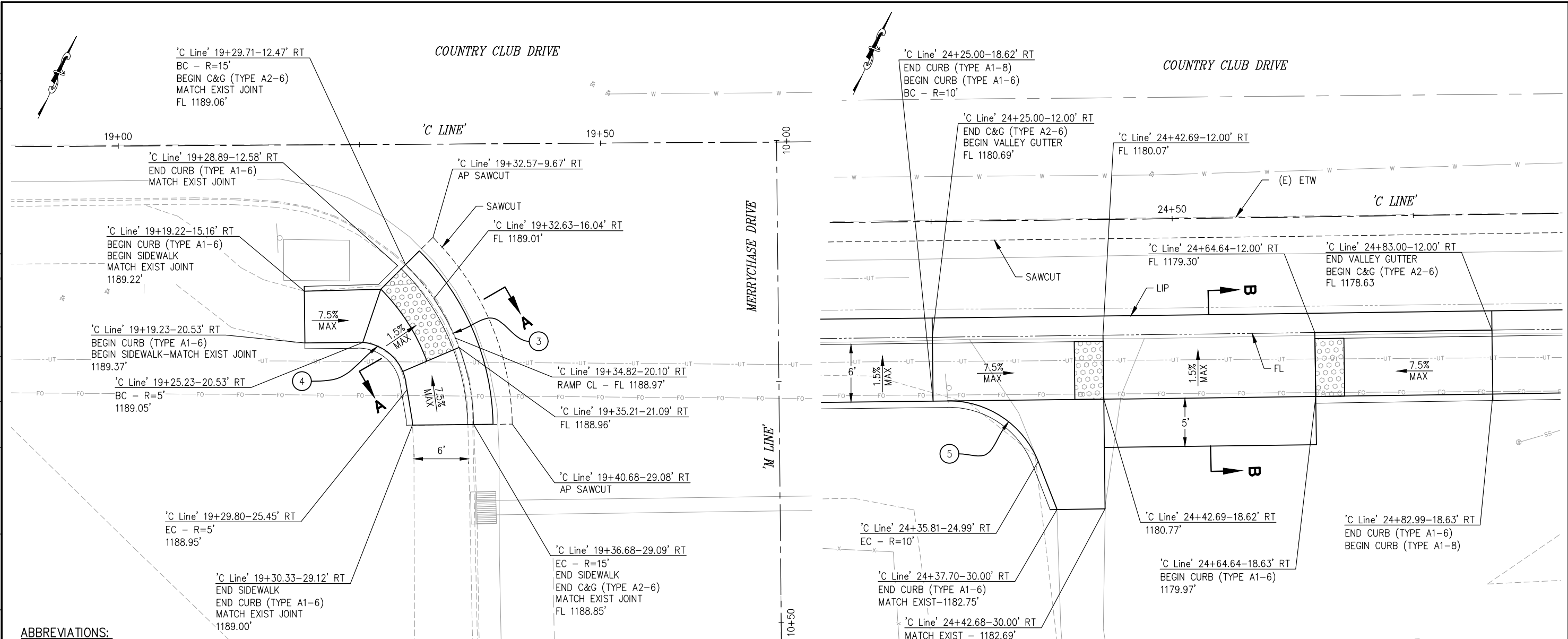


COUNTY OF EL DORADO
DEPARTMENT OF TRANSPORTATION

MERRYCHASE / COUNTRY CLUB DRIVE
IMPROVEMENTS

SHEET
C-1
10 OF 43
W.O. No. **72312**

ORIGINAL SCALE IS IN INCHES
 Drawing name: Z:\Civil 3D Projects\72312 Merry Chase and Country Club Dr Ped-Bike Improvements\CADD Files\Sheets\C-2 Sheets.dwg Layout Tab: C-2 Feb 24, 2021 12:12pm ANguyen
 FOR REDUCED PLANS



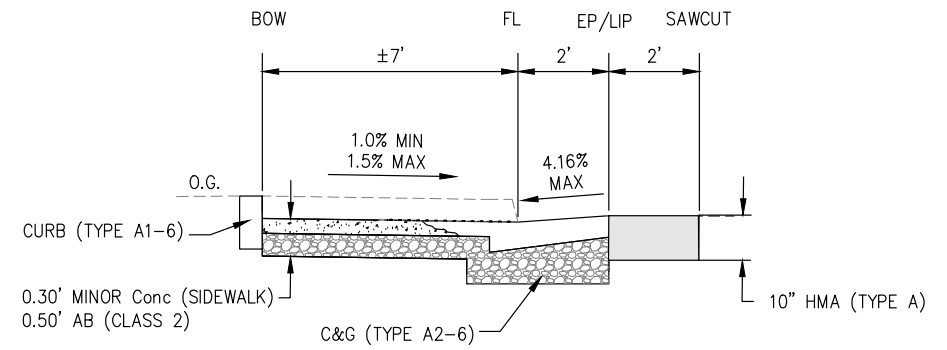
2 CURB RAMP DETAIL #2
SCALE: 1" = 5'

3 CURB RAMP DETAIL #3
SCALE: 1" = 5'

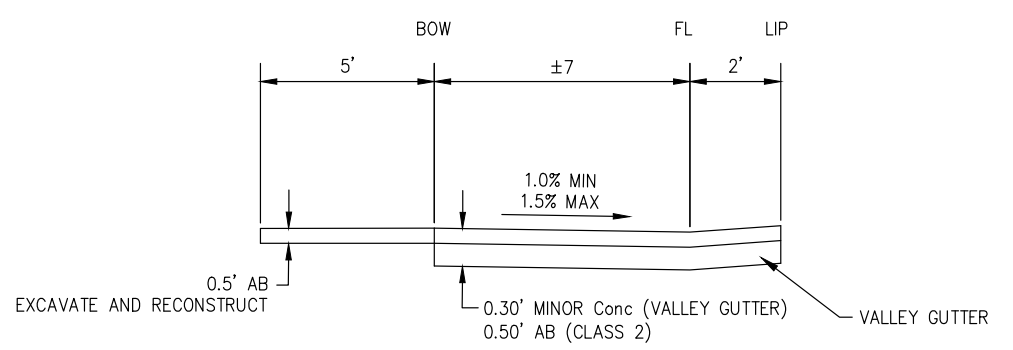
ABBREVIATIONS:
 C&G CURB & GUTTER
 LIP LIP OF GUTTER

- GENERAL NOTES:**
- FOR ADDITIONAL CURB RAMP DETAILS, SEE CALTRANS STANDARD PLAN A88A.
 - FOR CURB (TYPE A1-6 & A1-8) AND CURB & GUTTER (TYPE A2-6), SEE CALTRANS STANDARD PLAN A87A.
 - CALLOUTS FOR CURB & GUTTER ARE REFERRING TO FLOW LINE UNLESS OTHERWISE SHOWN.

CURVE DATA TABLE			
SEGMENT	LENGTH	DELTA	RADIUS
3	18.48	44° 07' 02"	15.00
4	7.07	81° 01' 21"	5
5	11.99	68° 41' 33"	10.00



SECTION A-A
NO SCALE



SECTION B-B
NO SCALE

CONSTRUCTION DETAILS
SCALE: AS SHOWN

REVISION	NUMBER	DATE	DESCRIPTION	BY

PREPARED UNDER THE SUPERVISION OF:
 REGISTERED CIVIL ENGINEER
 DATE: _____

DESIGNED: JN
 DRAWN: AN
 CHECKED: DH
 DATE: 2/24/2021
 ROAD NUMBER: 198/334



COUNTY OF EL DORADO
DEPARTMENT OF TRANSPORTATION

MERRYCHASE / COUNTRY CLUB DRIVE
IMPROVEMENTS

SHEET
C-2
 11 OF 43
 W.O. No. **72312**

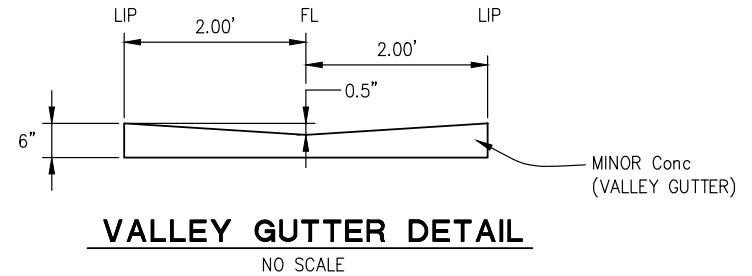
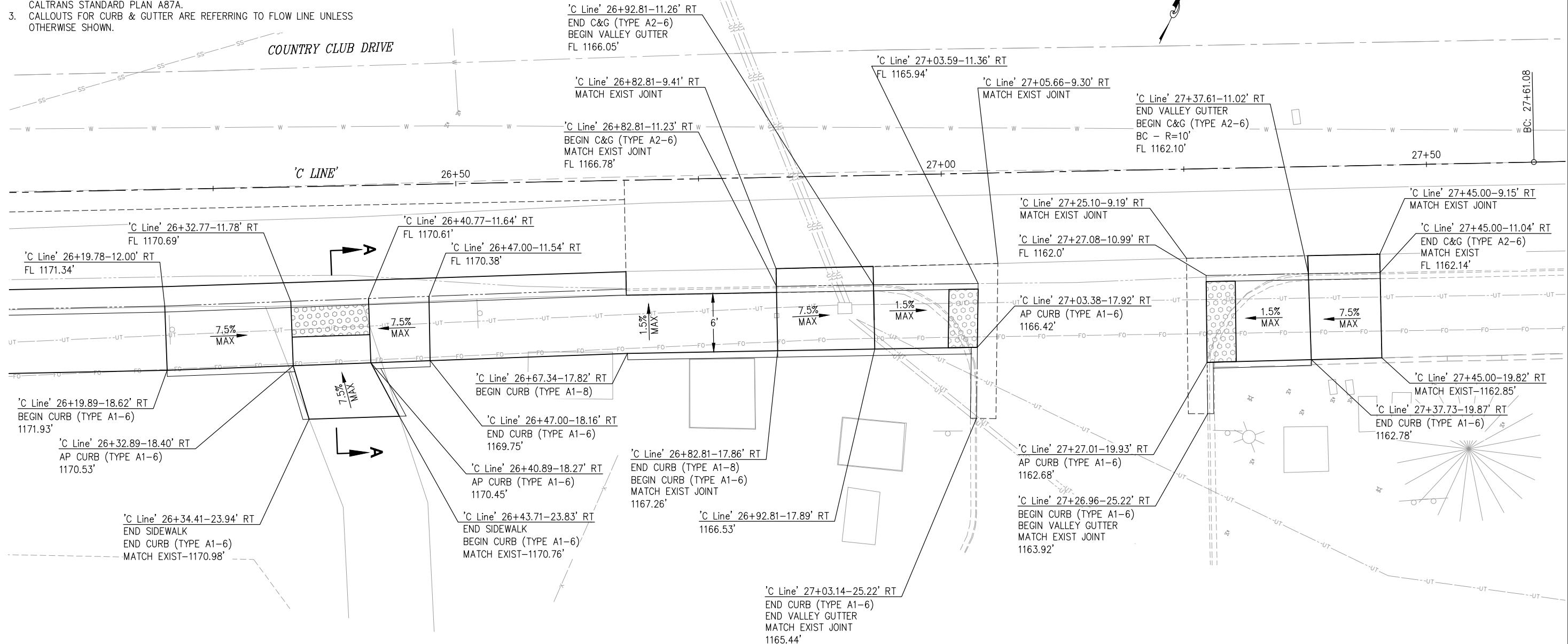
GENERAL NOTES:

- FOR ADDITIONAL CURB RAMP DETAILS, SEE CALTRANS STANDARD PLAN A88A.
- FOR CURB (TYPE A1-6 & A1-6) AND CURB & GUTTER (TYPE A2-6), SEE CALTRANS STANDARD PLAN A87A.
- CALLOUTS FOR CURB & GUTTER ARE REFERRING TO FLOW LINE UNLESS OTHERWISE SHOWN.

ABBREVIATIONS:

- C&G CURB & GUTTER
LIP LIP OF GUTTER

ORIGINAL SCALE IS IN INCHES
 Drawing name: Z:\Civil 3D Projects\72312 Merry Chase and Country Club Dr Ped-Bike Improvements\CADD Files\Sheets\C-3 Sheets.dwg Layout Tab: C-3 Feb 24, 2021 12:16pm ANguyen
 FOR REDUCED PLANS
 REVISION



SECTION A-A
NO SCALE

90%

CONSTRUCTION DETAILS
SCALE : AS SHOWN

REVISION	NUMBER	DATE	DESCRIPTION	BY

PREPARED UNDER THE SUPERVISION OF :
REGISTERED CIVIL ENGINEER
DATE:

DESIGNED: JN
DRAWN: AN
CHECKED: DH
DATE: 2/24/2021
ROAD NUMBER: 198/334

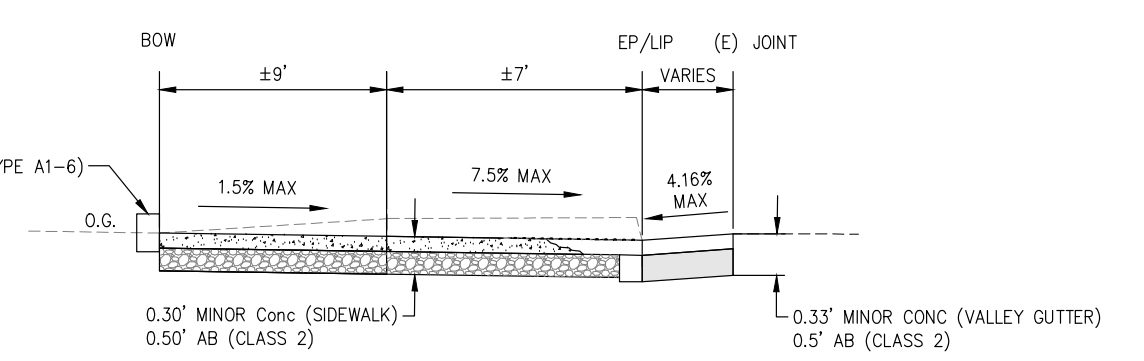
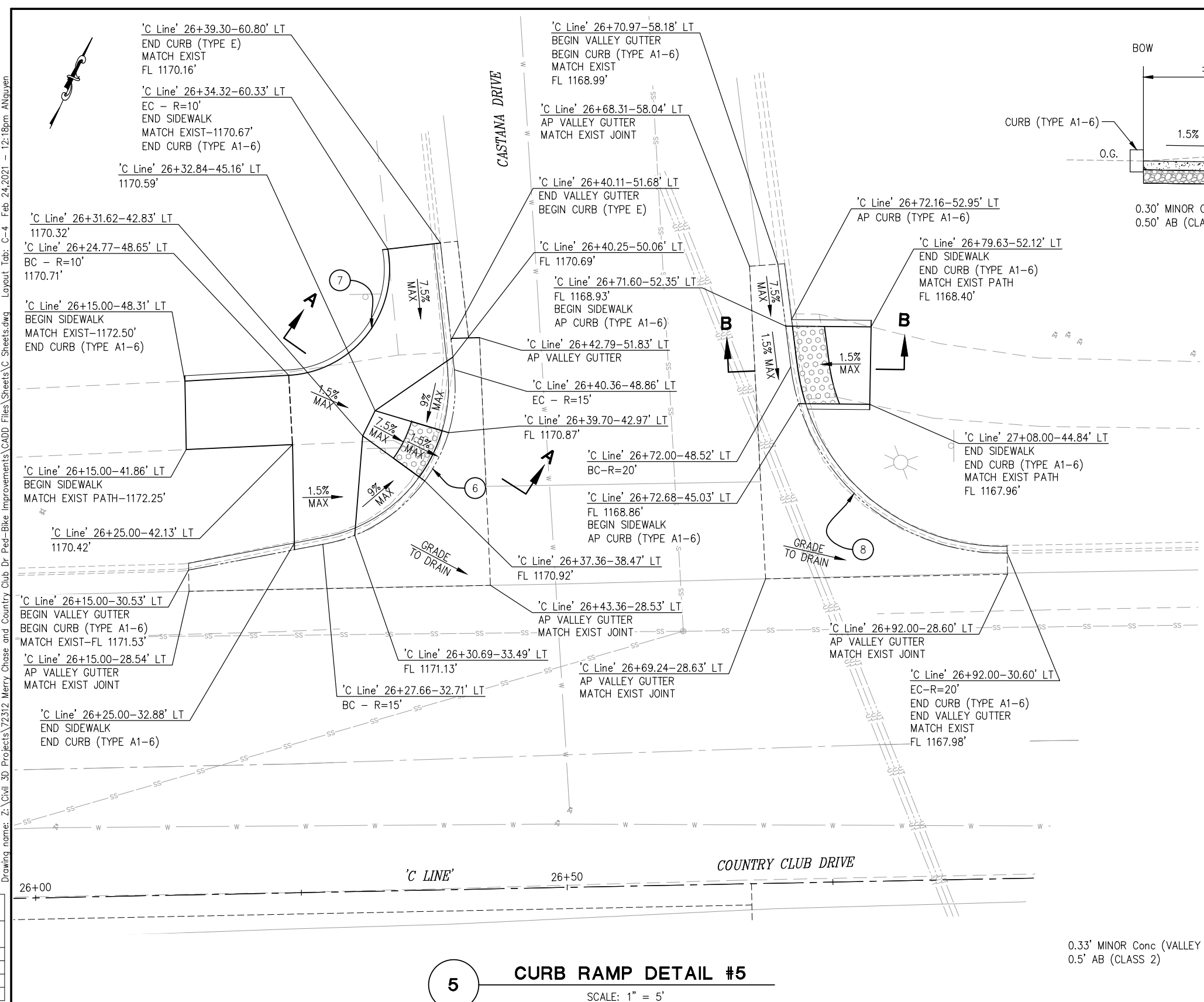


COUNTY OF EL DORADO
DEPARTMENT OF TRANSPORTATION

MERRYCHASE / COUNTRY CLUB DRIVE
IMPROVEMENTS

SHEET
C-3
12 OF 43
W.O. No. **72312**

ORIGINAL SCALE IS IN INCHES
 Drawing name: Z:\Civil 3D Projects\72312 Merry Chase and Country Club Dr Ped-Bike Improvements\CADD Files\Sheets\C-Sheets.dwg Layout Tab: C-4 Feb 24, 2021 12:18pm ANguyen
 FOR REDUCED PLANS



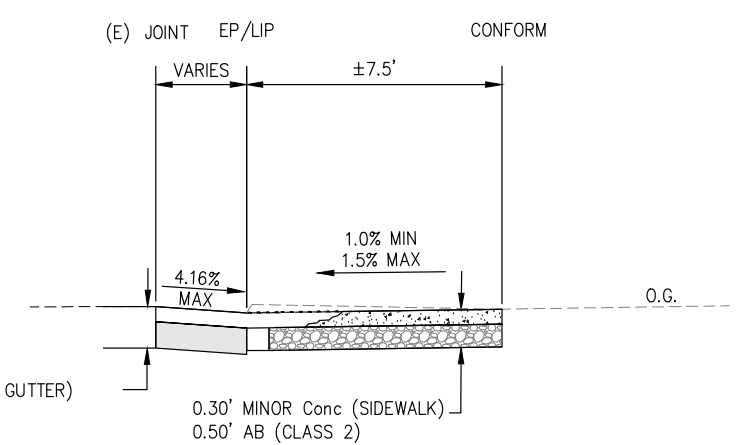
SECTION A-A
NO SCALE

CURVE DATA TABLE			
SEGMENT	LENGTH	DELTA	RADIUS
6	22.64	86° 28' 01"	15.00
7	16.24	97° 56' 41"	10.00
8	29.44	84° 19' 55"	20.00

ABBREVIATIONS:
 C&G CURB & GUTTER
 LIP LIP OF GUTTER
 (E) EXISTING

GENERAL NOTES:

- FOR ADDITIONAL CURB RAMP DETAILS, SEE CALTRANS STANDARD PLAN A88A.
- FOR CURB (TYPE A1-6 & A1-8) AND CURB & GUTTER (TYPE A2-6), SEE CALTRANS STANDARD PLAN A87A.
- CALLOUTS FOR CURB & GUTTER ARE REFERRING TO FLOW LINE UNLESS OTHERWISE SHOWN.



SECTION B-B
NO SCALE

CONSTRUCTION DETAILS
SCALE : AS SHOWN

5 CURB RAMP DETAIL #5
SCALE: 1" = 5'

90%

REVISION	NUMBER	DATE	DESCRIPTION	BY

PREPARED UNDER THE SUPERVISION OF :
 REGISTERED CIVIL ENGINEER
 DATE: _____

DESIGNED: JN
 DRAWN: AN
 CHECKED: DH
 DATE: 2/24/2021
 ROAD NUMBER: 198/334

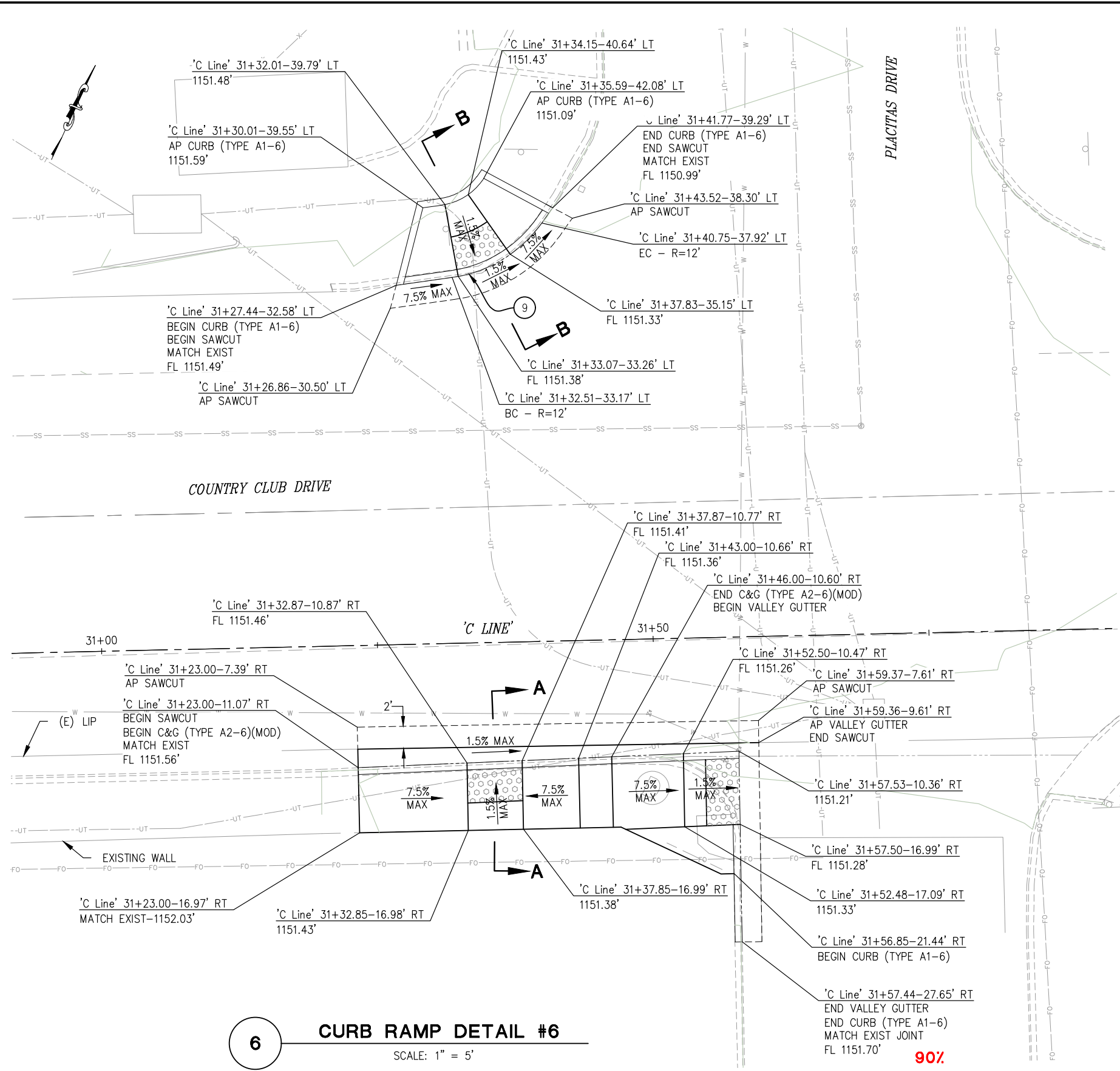


COUNTY OF EL DORADO
DEPARTMENT OF TRANSPORTATION

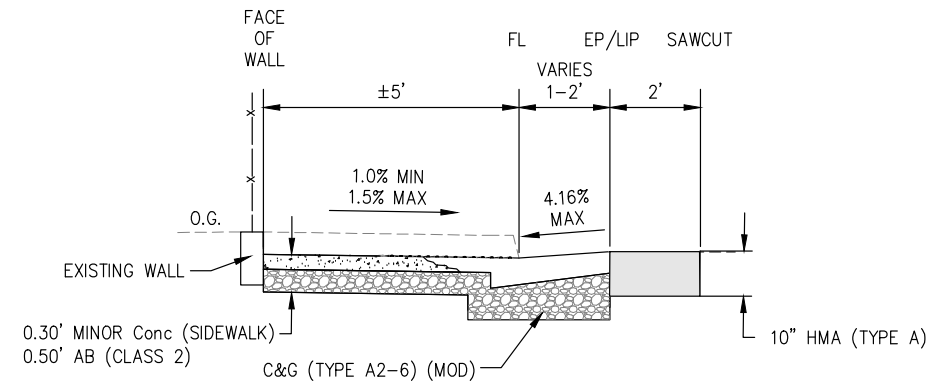
MERRYCHASE / COUNTRY CLUB DRIVE
IMPROVEMENTS

SHEET
C-4
13 OF 43
W.O. No. **72312**

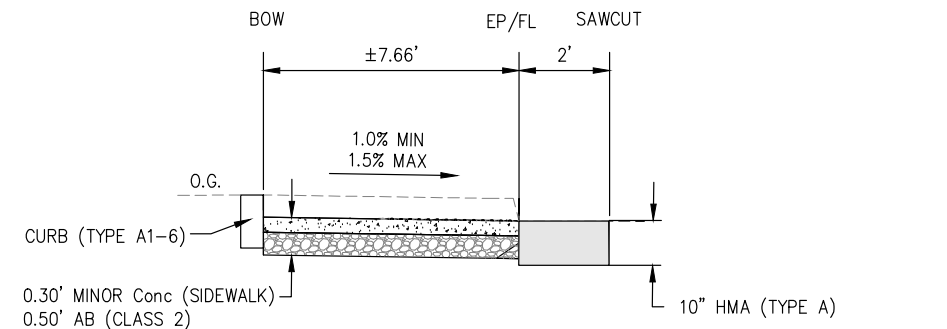
ORIGINAL SCALE IS IN INCHES
 Drawing name: Z:\Civil 3D Projects\72312 Merry Chase and Country Club Dr Ped-Bike Improvements\CADD Files\Sheets\C_Sheets.dwg Layout Tab: C-5 Feb 24, 2021 12:20pm ANguyen
 FOR REDUCED PLANS



6 CURB RAMP DETAIL #6
 SCALE: 1" = 5'



SECTION A-A
 NO SCALE



SECTION B-B
 NO SCALE

ABBREVIATIONS:

- C&G CURB & GUTTER
- LIP LIP OF GUTTER
- (E) EXISTING

GENERAL NOTES:

1. FOR ADDITIONAL CURB RAMP DETAILS, SEE CALTRANS STANDARD PLAN A88A.
2. FOR CURB (TYPE A1-6 & A1-8) AND CURB & GUTTER (TYPE A2-6), SEE CALTRANS STANDARD PLAN A87A.
3. CALLOUTS FOR CURB & GUTTER ARE REFERRING TO FLOW LINE UNLESS OTHERWISE SHOWN.

CURVE DATA TABLE			
SEGMENT	LENGTH	DELTA	RADIUS
(9)	9.78	46° 42' 16"	12.00

CONSTRUCTION DETAILS
 SCALE : AS SHOWN

REVISION	NUMBER	DATE	DESCRIPTION	BY

PREPARED UNDER THE SUPERVISION OF :

 REGISTERED CIVIL ENGINEER
 DATE: _____

DESIGNED: JN
 DRAWN: AN
 CHECKED: DH
 DATE: 2/24/2021
 ROAD NUMBER: 198/334

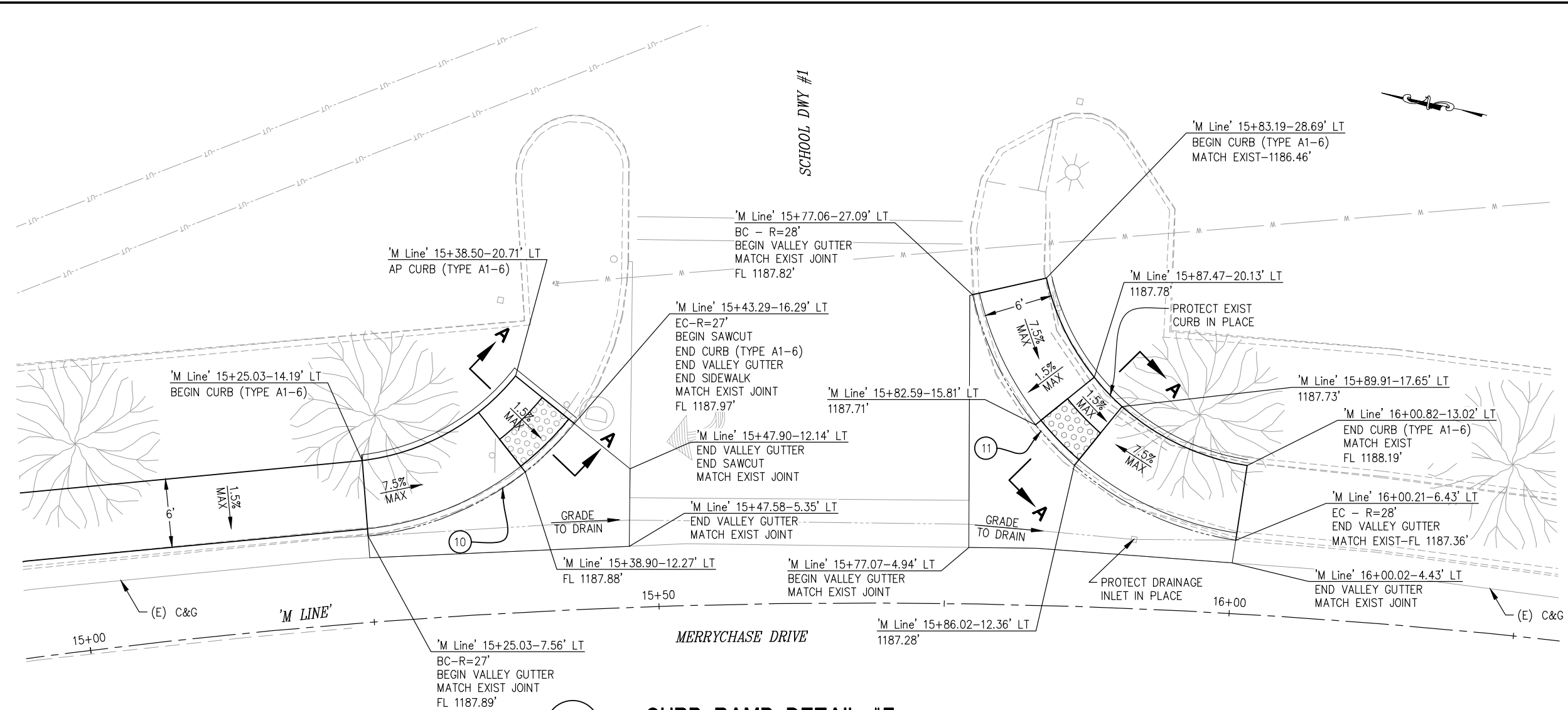


COUNTY OF EL DORADO
DEPARTMENT OF TRANSPORTATION

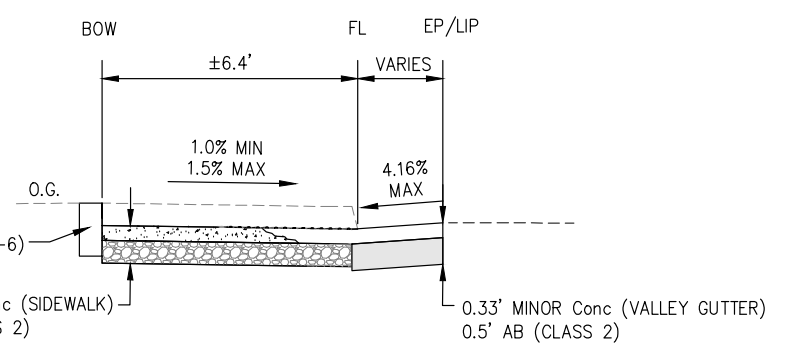
MERRYCHASE / COUNTRY CLUB DRIVE
IMPROVEMENTS

SHEET
C-5
14 OF 43
W.O. No. 72312

ORIGINAL SCALE IS IN INCHES
 Drawing name: Z:\Civil 3D Projects\72312 Merry Chase and Country Club Dr Ped-Bike Improvements\CADD Files\Sheets\C_Sheets.dwg Layout Tab: C-6 Feb 24, 2021 12:22pm ANguyen
 FOR REDUCED PLANS



7
CURB RAMP DETAIL #7
 SCALE: 1" = 5'



ABBREVIATIONS:
 C&G CURB & GUTTER
 LIP LIP OF GUTTER
 (E) EXISTING

GENERAL NOTES:
 1. FOR ADDITIONAL CURB RAMP DETAILS, SEE CALTRANS STANDARD PLAN A88A.
 2. FOR CURB (TYPE A1-6 & A1-8) AND CURB & GUTTER (TYPE A2-6), SEE CALTRANS STANDARD PLAN A87A.
 3. CALLOUTS FOR CURB & GUTTER ARE REFERRING TO FLOW LINE UNLESS OTHERWISE SHOWN.

CURVE DATA TABLE			
SEGMENT	LENGTH	DELTA	RADIUS
10	21.13	44° 50' 21"	27.00
11	33.51	68° 34' 03"	28.00

REVISION	NUMBER	DATE	DESCRIPTION	BY

90%

PREPARED UNDER THE SUPERVISION OF :
 REGISTERED CIVIL ENGINEER
 DATE:

DESIGNED: JN
 DRAWN: AN
 CHECKED: DH
 DATE: 2/24/2021
 ROAD NUMBER: 198/334

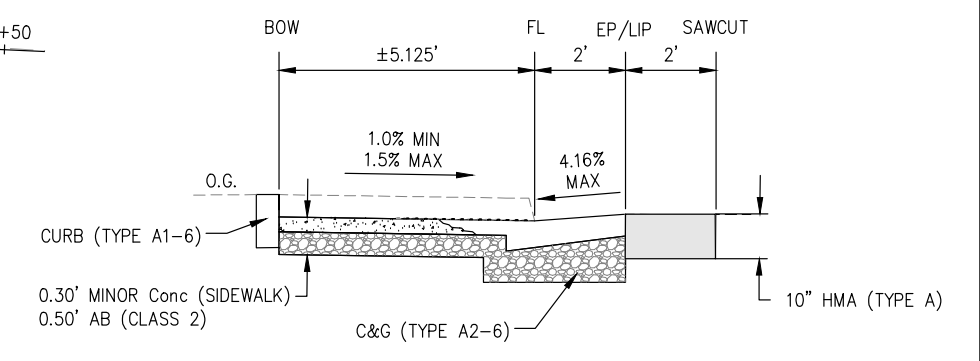
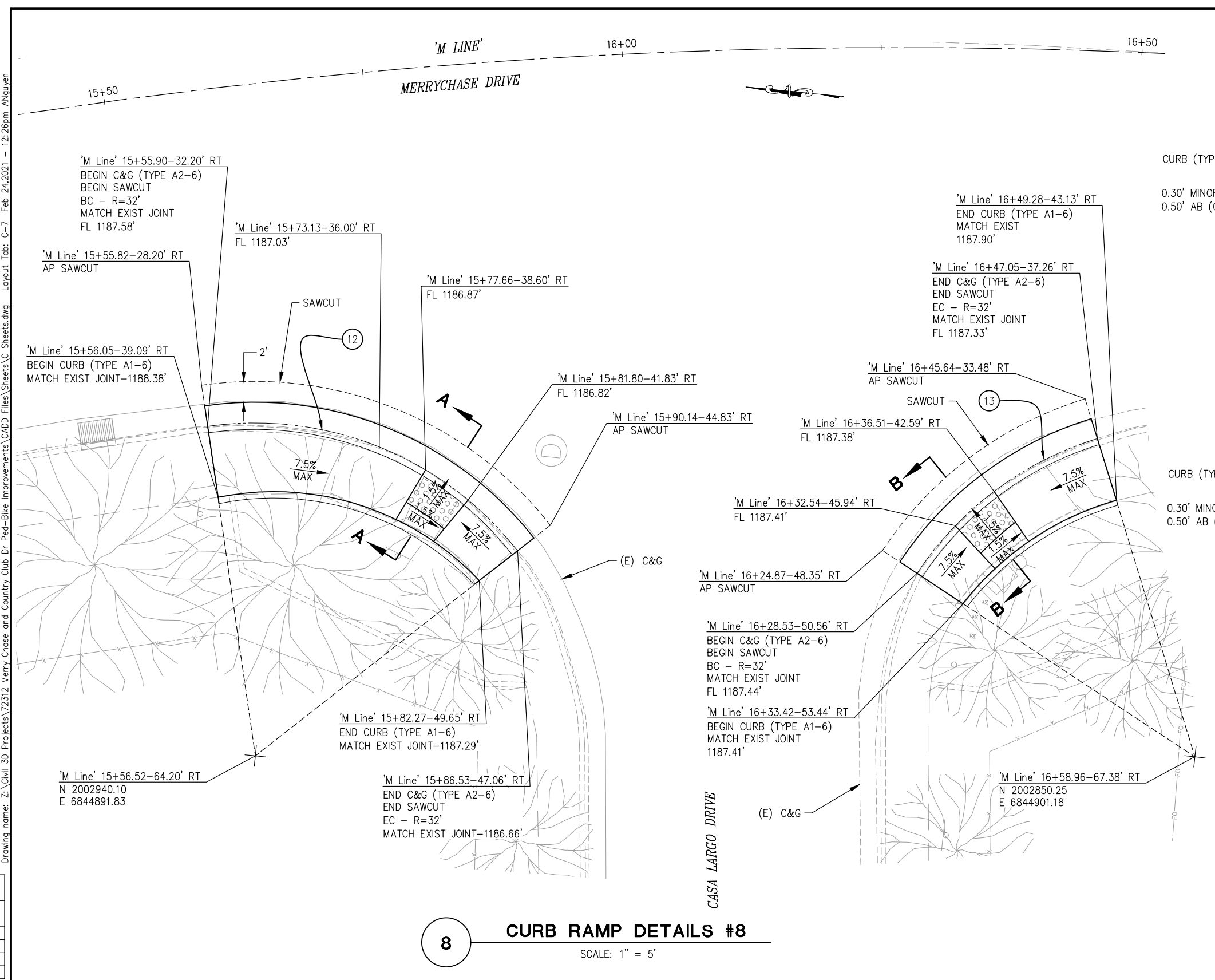


CONSTRUCTION DETAILS
SCALE : AS SHOWN

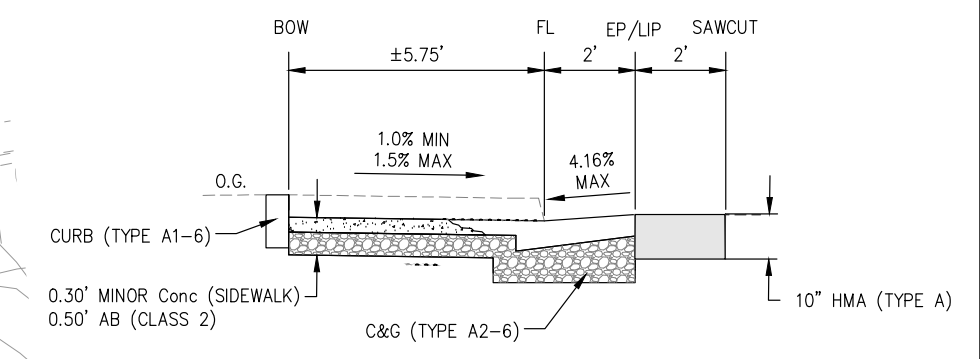
MERRYCHASE / COUNTRY CLUB DRIVE
IMPROVEMENTS

SHEET
C-6
 15 OF 43
 W.O. No. **72312**

ORIGINAL SCALE IS IN INCHES
 Drawing name: Z:\Civil 3D Projects\72312 Merry Chase and Country Club Dr. Ped-Bike Improvements\CADD Files\Sheets\C_Sheets.dwg Layout Tab: C-7 Feb 24, 2021 12:26pm ANguyen
 FOR REDUCED PLANS
 2
 1
 0



SECTION A-A
NO SCALE



SECTION B-B
NO SCALE

ABBREVIATIONS:

- C&G CURB & GUTTER
- LIP LIP OF GUTTER
- (E) EXISTING

GENERAL NOTES:

1. FOR ADDITIONAL CURB RAMP DETAILS, SEE CALTRANS STANDARD PLAN A88A.
2. FOR CURB (TYPE A1-6 & A1-6) AND CURB & GUTTER (TYPE A2-6), SEE CALTRANS STANDARD PLAN A87A.
3. CALLOUTS FOR CURB & GUTTER ARE REFERRING TO FLOW LINE UNLESS OTHERWISE SHOWN.

CURVE DATA TABLE			
SEGMENT	LENGTH	DELTA	RADIUS
12	33.63	60° 12' 24"	32.00
13	22.07	39° 31' 04"	32.00

8 CURB RAMP DETAILS #8
SCALE: 1" = 5'

90%

CONSTRUCTION DETAILS
SCALE : AS SHOWN

REVISION	NUMBER	DATE	DESCRIPTION	BY

PREPARED UNDER THE SUPERVISION OF :

REGISTERED CIVIL ENGINEER

DATE: _____

DESIGNED: JN DRAWN: AN

CHECKED: DH DATE: 2/24/2021

ROAD NUMBER: 198/334

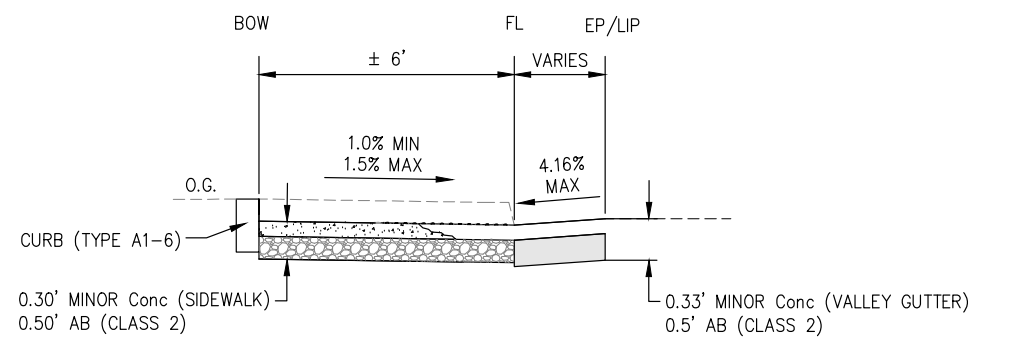
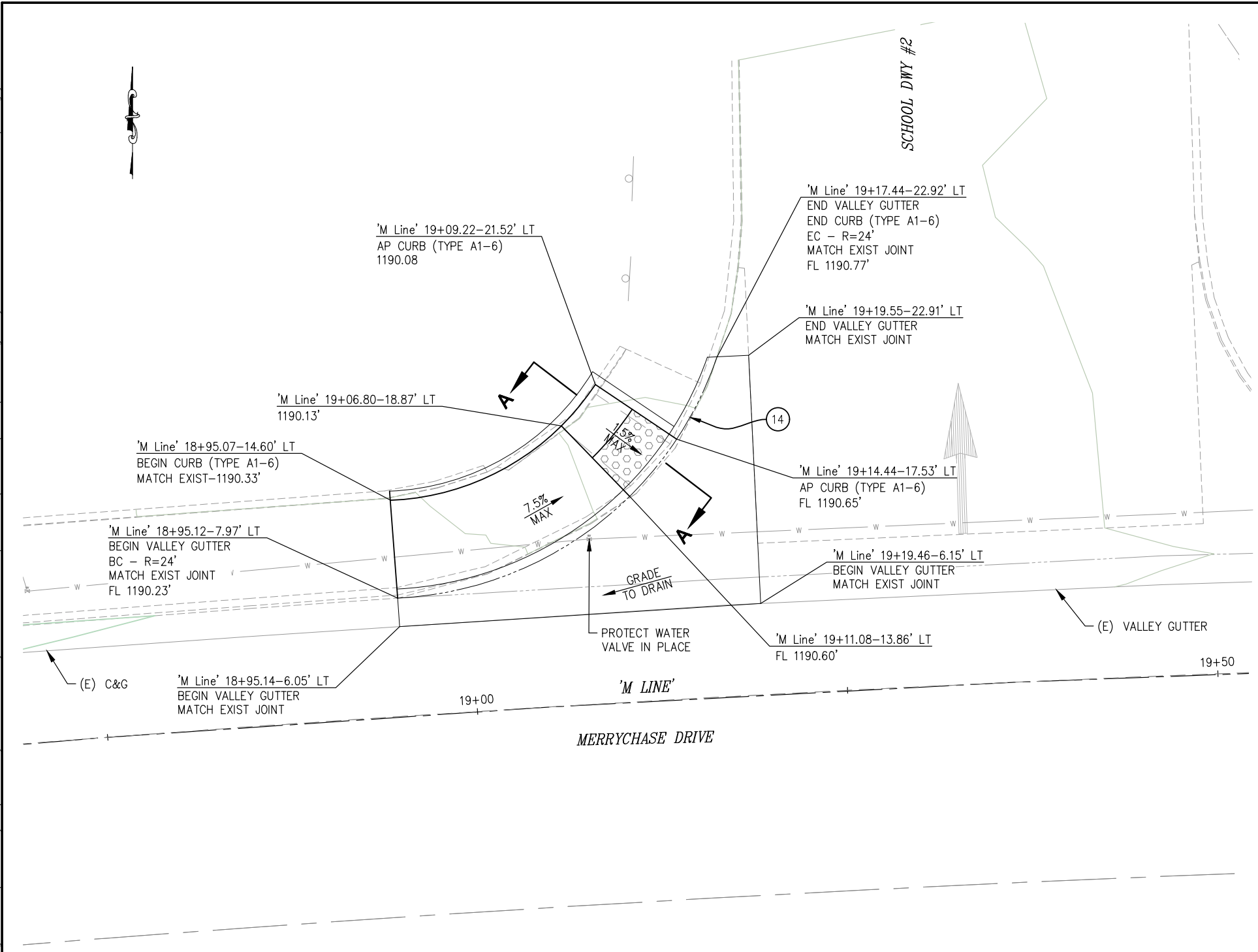


COUNTY OF EL DORADO
DEPARTMENT OF TRANSPORTATION

MERRYCHASE / COUNTRY CLUB DRIVE
IMPROVEMENTS

SHEET
C-7
16 OF 43
W.O. No. **72312**

ORIGINAL SCALE IS IN INCHES
 Drawing name: Z:\Civil 3D Projects\72312 Merry Chase and Country Club Dr Ped-Bike Improvements\CADD Files\Sheets\C Sheets.dwg Layout Tab: C-8 Feb 24, 2021 12:30pm ANguyen
 FOR REDUCED PLANS
 REVISION



SECTION A-A
NO SCALE

- ABBREVIATIONS:**
- C&G CURB & GUTTER
 - LIP LIP OF GUTTER
 - (E) EXISTING

- GENERAL NOTES:**
1. FOR ADDITIONAL CURB RAMP DETAILS, SEE CALTRANS STANDARD PLAN A88A.
 2. FOR CURB (TYPE A1-6 & A1-8) AND CURB & GUTTER (TYPE A2-6), SEE CALTRANS STANDARD PLAN A87A.
 3. CALLOUTS FOR CURB & GUTTER ARE REFERRING TO FLOW LINE UNLESS OTHERWISE SHOWN.

CURVE DATA TABLE			
SEGMENT	LENGTH	DELTA	RADIUS
(14)	28.92	68° 27' 55"	24.00

9 CURB DETAIL #9
SCALE: 1" = 4'

90%

NUMBER	DATE	DESCRIPTION	BY

PREPARED UNDER THE SUPERVISION OF :

REGISTERED CIVIL ENGINEER

DATE: _____

DESIGNED: JN DRAWN: AN

CHECKED: DH DATE: 2/24/2021

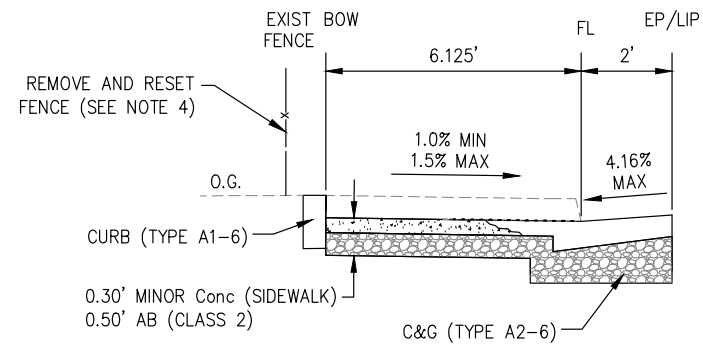
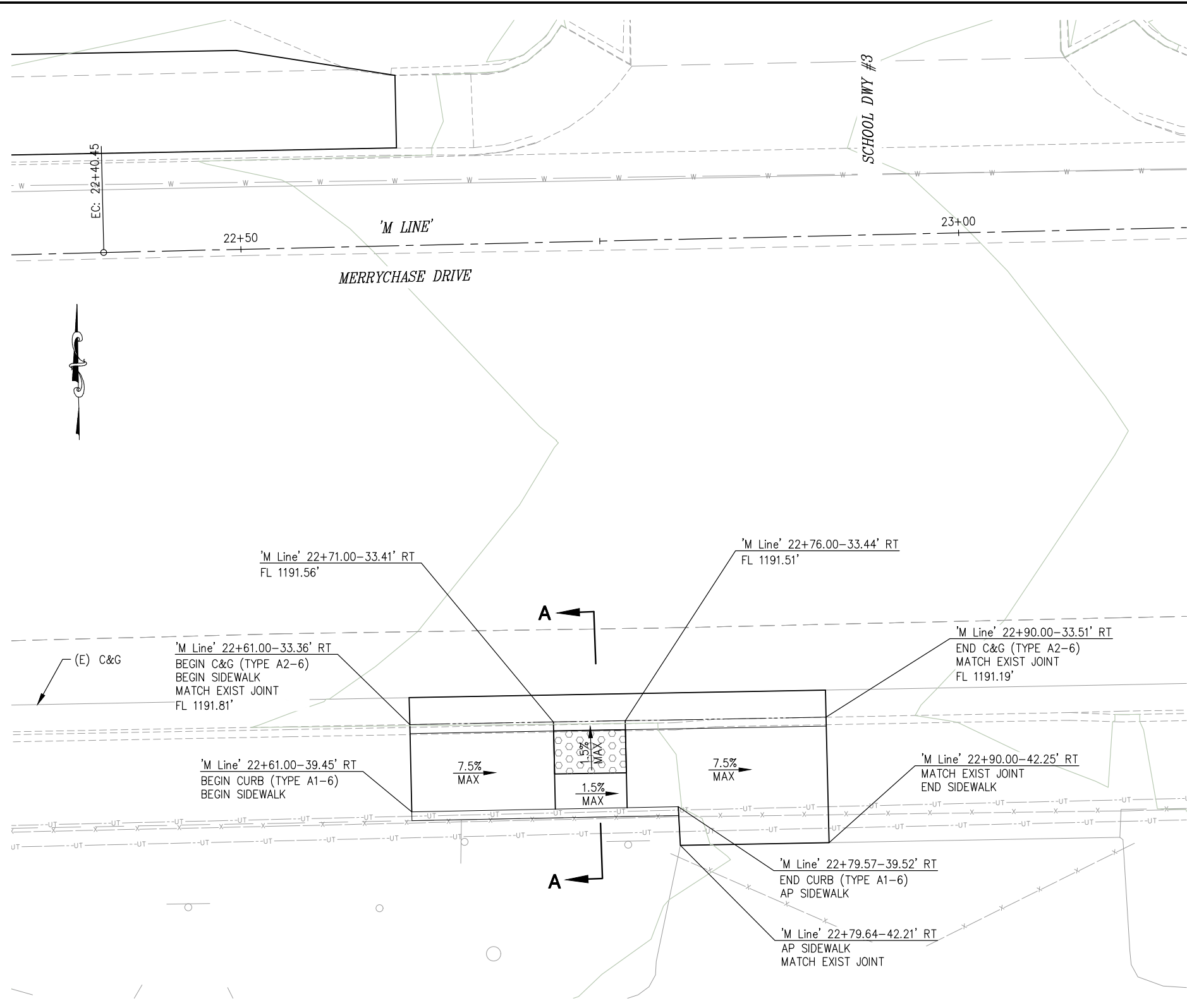
ROAD NUMBER: 198/334

COUNTY OF EL DORADO
DEPARTMENT OF TRANSPORTATION

MERRYCHASE / COUNTRY CLUB DRIVE
IMPROVEMENTS

SHEET	C-8
17 OF 43	
W.O. No.	72312

ORIGINAL SCALE IS IN INCHES
 Drawing name: Z:\Civil 3D Projects\72312 Merry Chase and Country Club Dr Ped-Bike Improvements\CADD Files\Sheets\C_Sheets.dwg Layout Tab: C-9 Feb 24, 2021 12:30pm ANguyen
 FOR REDUCED PLANS
 2
 1
 0



SECTION A-A
NO SCALE

ABBREVIATIONS:

- C&G CURB & GUTTER
- LIP LIP OF GUTTER
- (E) EXISTING

GENERAL NOTES:

1. FOR ADDITIONAL CURB RAMP DETAILS, SEE CALTRANS STANDARD A88A.
2. FOR CURB (TYPE A1-6 & A1-8) AND CURB & GUTTER (TYPE A2-6), SEE CALTRANS STANDARD PLAN A87A.
3. CALLOUTS FOR CURB & GUTTER ARE REFERRING TO FLOW LINE UNLESS OTHERWISE SHOWN.
4. REMOVE AND RESET APPROXIMATELY 10-15 LF OF EXISTING CHAIN LINK AS NEEDED TO CONSTRUCT CURB RAMP.

10 CURB DETAIL #10
SCALE: 1" = 4'

90%

REVISION	NUMBER	DATE	DESCRIPTION	BY

PREPARED UNDER THE SUPERVISION OF :

 REGISTERED CIVIL ENGINEER
 DATE: _____

DESIGNED: JN
 DRAWN: AN
 CHECKED: DH
 DATE: 2/24/2021
 ROAD NUMBER: 198/334



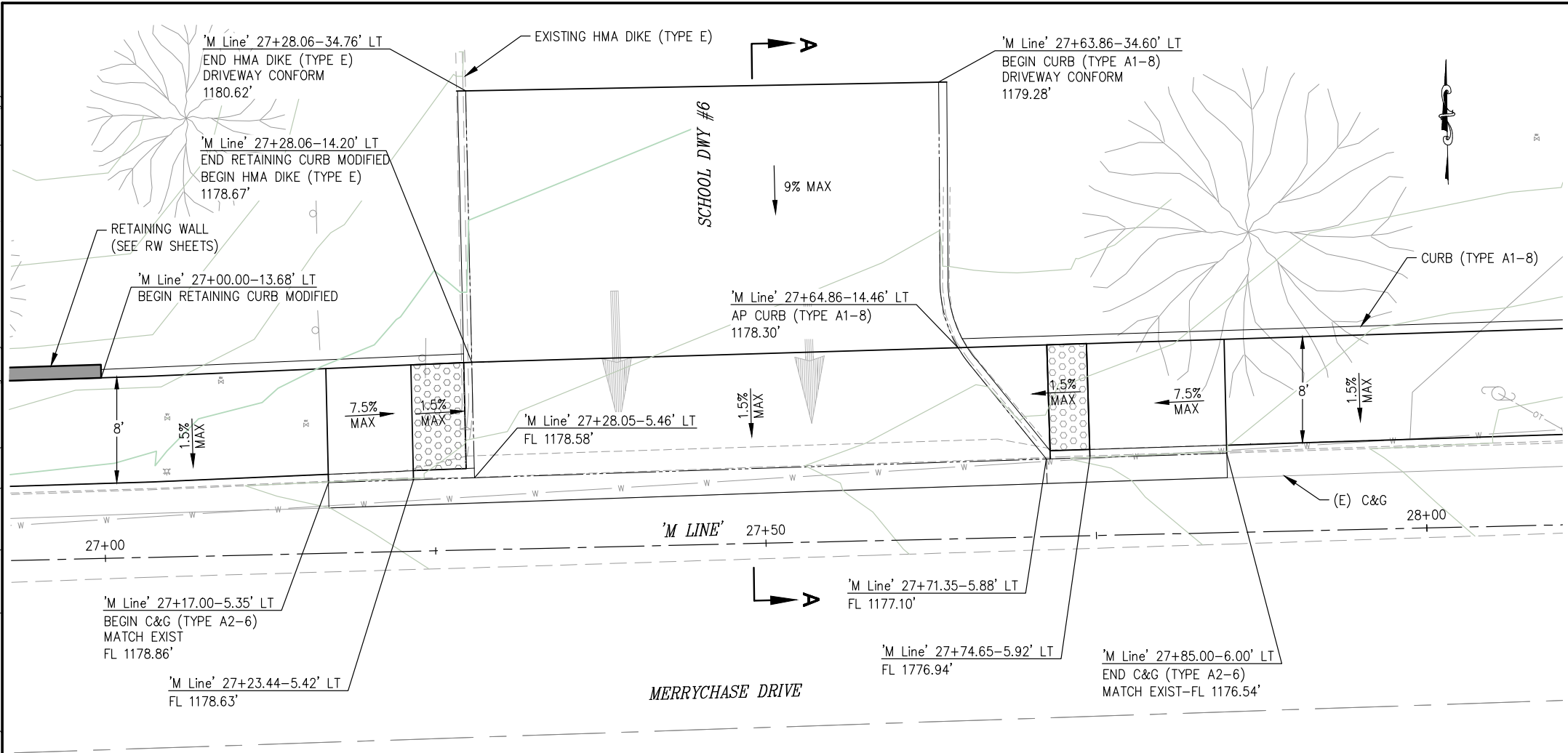
COUNTY OF EL DORADO
DEPARTMENT OF TRANSPORTATION

MERRYCHASE / COUNTRY CLUB DRIVE
IMPROVEMENTS

SHEET
C-9
18 OF 43
W.O. No. **72312**

CONSTRUCTION DETAILS
SCALE : AS SHOWN

ORIGINAL SCALE IS IN INCHES
 Drawing name: Z:\Civil 3D Projects\72312 Merry Chase and Country Club Dr Ped-Bike Improvements\CADD Files\Sheets\C Sheets.dwg Layout Tab: C-10 Feb 11, 2021 12:37pm ANguyen
 FOR REDUCED PLANS
 2
 1
 0



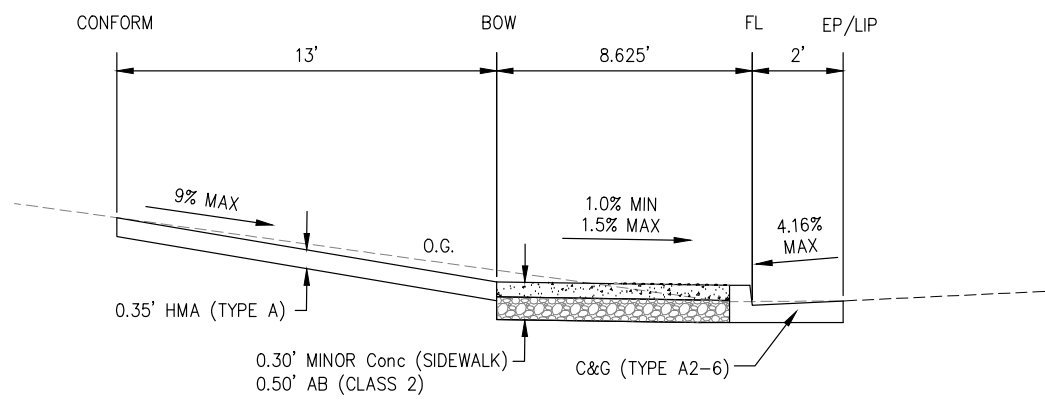
11 CURB DETAIL #11
 SCALE: 1" = 5'

ABBREVIATIONS:

- C&G CURB & GUTTER
- LIP LIP OF GUTTER
- (E) EXISTING

GENERAL NOTES:

1. FOR ADDITIONAL CURB RAMP DETAILS, SEE CALTRANS STANDARD PLAN A88A.
2. FOR CURB (TYPE A1-6 & A1-8) AND CURB & GUTTER (TYPE A2-6), SEE CALTRANS STANDARD PLAN A87A.
3. CALLOUTS FOR CURB & GUTTER ARE REFERRING TO FLOW LINE UNLESS OTHERWISE SHOWN.



SECTION A-A
 NO SCALE

REVISION	NUMBER	DATE	DESCRIPTION	BY

PREPARED UNDER THE SUPERVISION OF :
 REGISTERED CIVIL ENGINEER
 DATE:

DESIGNED: JN
 DRAWN: AN
 CHECKED: DH
 DATE: 2/11/2021
 ROAD NUMBER: 198/334



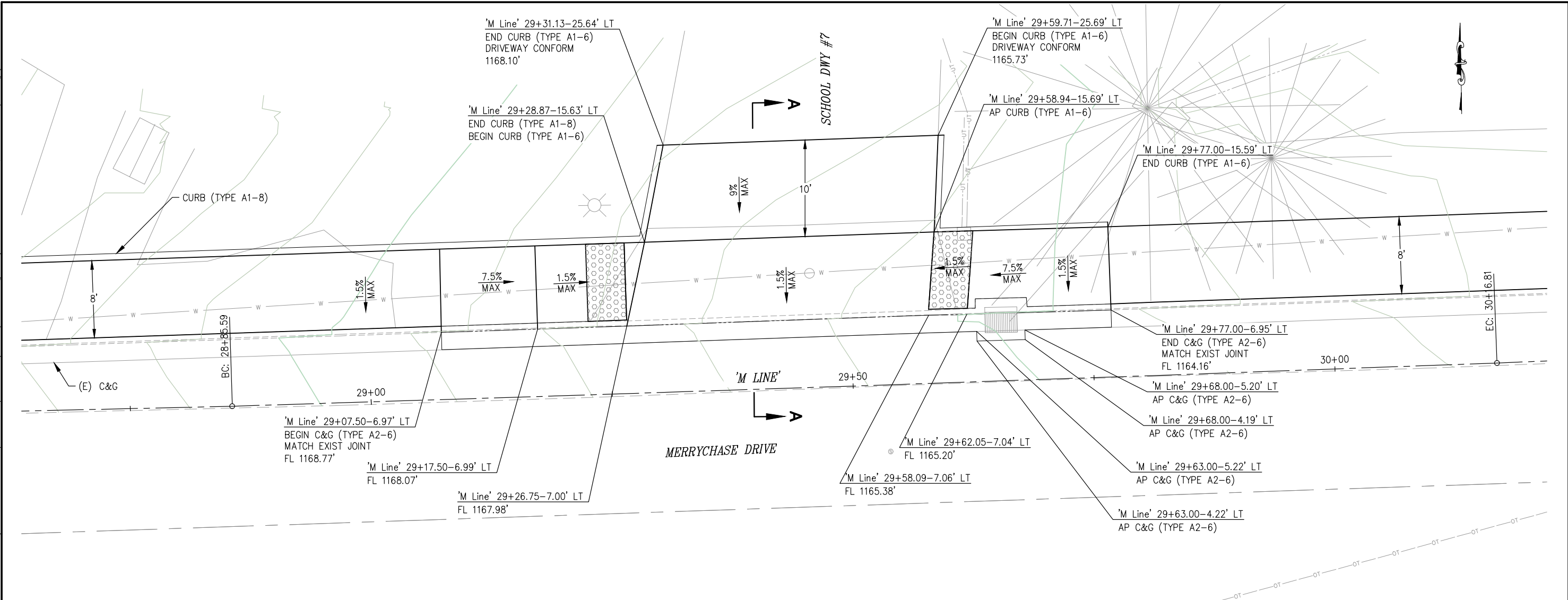
COUNTY OF EL DORADO
DEPARTMENT OF TRANSPORTATION

MERRYCHASE AND COUNTRY CLUB DRIVE
IMPROVEMENTS

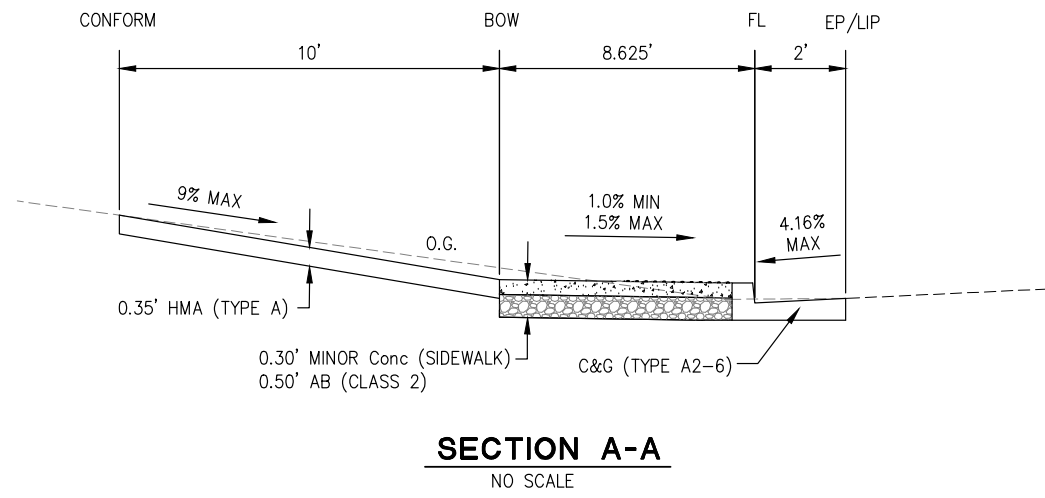
SHEET
C-10
 19 OF 41
 W.O. No. **72312**

CONSTRUCTION DETAILS
SCALE : AS SHOWN

ORIGINAL SCALE IS IN INCHES
 Drawing name: Z:\Civil 3D Projects\72312 Merry Chase and Country Club Dr Ped-Bike Improvements\CADD Files\Sheets\C Sheets.dwg Layout Tab: C-11 Feb 24, 2021 - 12:34pm ANguyen
 FOR REDUCED PLANS
 2
 1
 0



12
CURB RAMP DETAIL #12
 SCALE: 1" = 5'



ABBREVIATIONS:
 C&G CURB & GUTTER
 LIP LIP OF GUTTER
 (E) EXISTING

GENERAL NOTES:

- FOR ADDITIONAL CURB RAMP DETAILS, SEE CALTRANS STANDARD PLAN A88A.
- FOR CURB (TYPE A1-6 & A1-8) AND CURB & GUTTER (TYPE A2-6), SEE CALTRANS STANDARD PLAN A87A.
- CALLOUTS FOR CURB & GUTTER ARE REFERRING TO FLOW LINE UNLESS OTHERWISE SHOWN.

REVISION	NUMBER	DATE	DESCRIPTION	BY

PREPARED UNDER THE SUPERVISION OF : _____ REGISTERED CIVIL ENGINEER	DESIGNED: JN DRAWN: AN CHECKED: DH DATE: 2/24/2021 ROAD NUMBER: 198/334
---	---

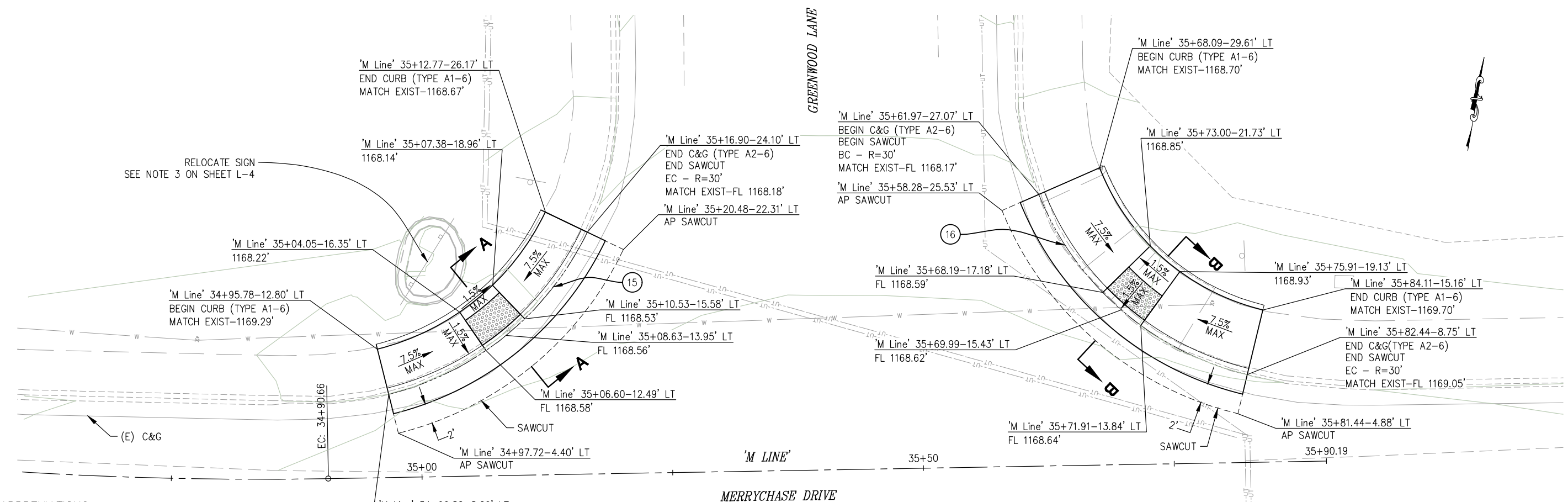
90%

COUNTY OF EL DORADO
DEPARTMENT OF TRANSPORTATION

MERRYCHASE / COUNTRY CLUB DRIVE
IMPROVEMENTS

SHEET
C-11
20 OF 43
W.O. No. 72312

ORIGINAL SCALE IS IN INCHES
 Drawing name: Z:\Civil 3D Projects\72312 Merry Chase and Country Club Dr Ped-Bike Improvements\CADD Files\Sheets\C_Sheets.dwg Layout Tab: C-12 Feb 24, 2021 - 12:37pm ANguyen
 FOR REDUCED PLANS



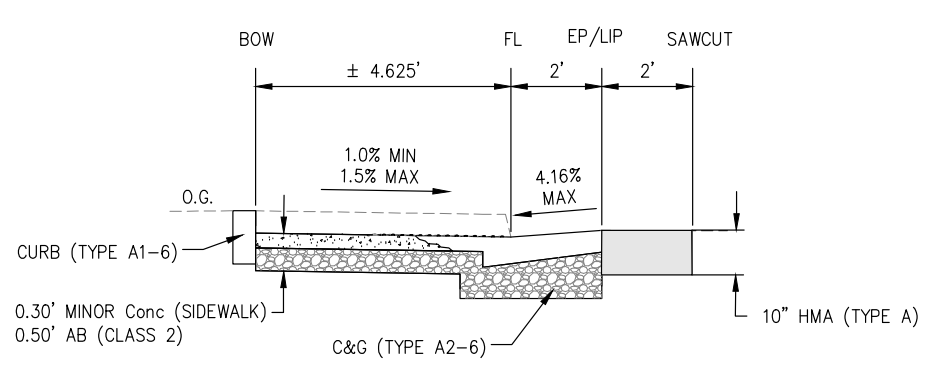
ABBREVIATIONS:

- C&G CURB & GUTTER
- LIP LIP OF GUTTER
- (E) EXISTING

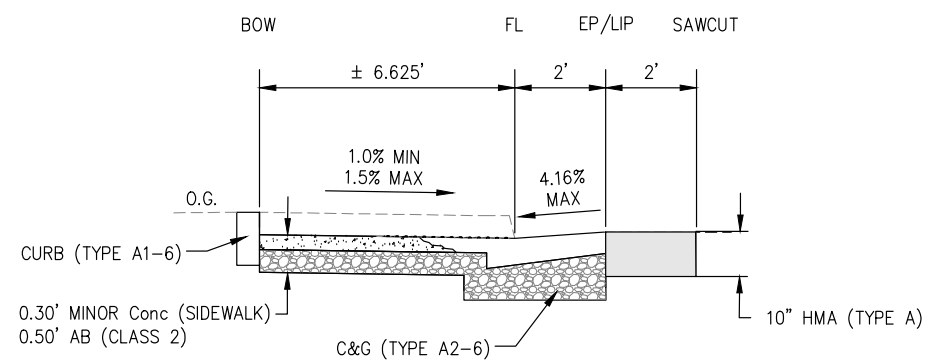
GENERAL NOTES:

1. FOR ADDITIONAL CURB RAMP DETAILS, SEE CALTRANS STANDARD PLAN A88A.
2. FOR CURB (TYPE A1-6 & A1-8) AND CURB & GUTTER (TYPE A2-6), SEE CALTRANS STANDARD PLAN A87A.
3. CALLOUTS FOR CURB & GUTTER ARE REFERRING TO FLOW LINE UNLESS OTHERWISE SHOWN.

13 CURB RAMP DETAIL #13
 SCALE: 1" = 5'



SECTION A-A
NO SCALE



SECTION B-B
NO SCALE

CURVE DATA TABLE			
SEGMENT	LENGTH	DELTA	RADIUS
15	10.19	50° 25' 15"	30.00
16	28.54	54° 29' 55"	30.00

REVISION	NUMBER	DATE	DESCRIPTION	BY

PREPARED UNDER THE SUPERVISION OF :

REGISTERED CIVIL ENGINEER

DATE: _____

DESIGNED: JN DRAWN: AN

CHECKED: DH DATE: 2/24/2021

ROAD NUMBER: 198/334

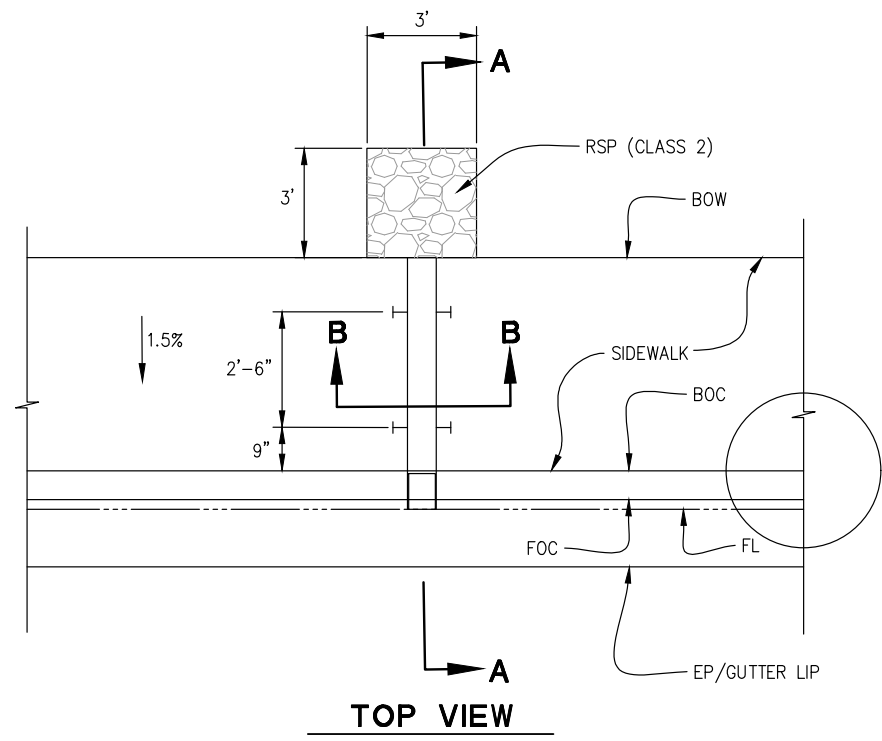
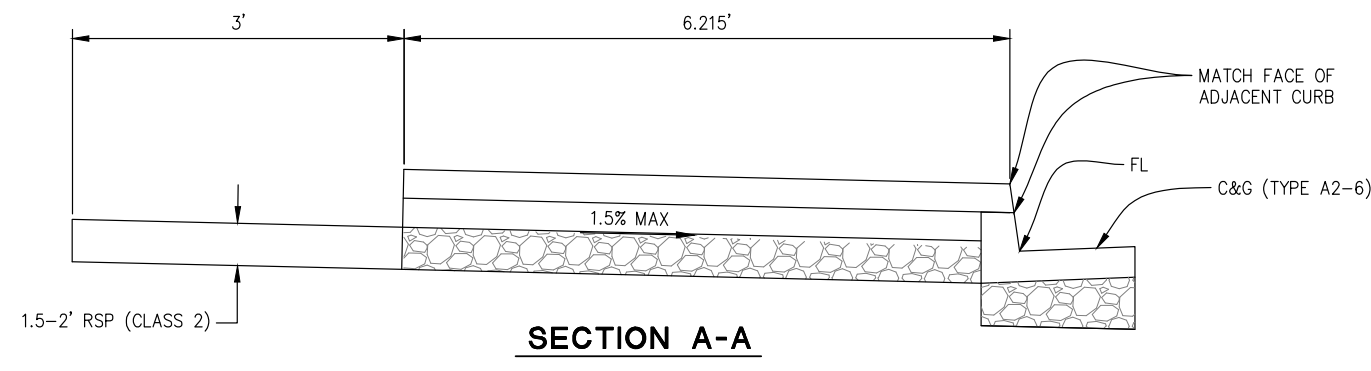
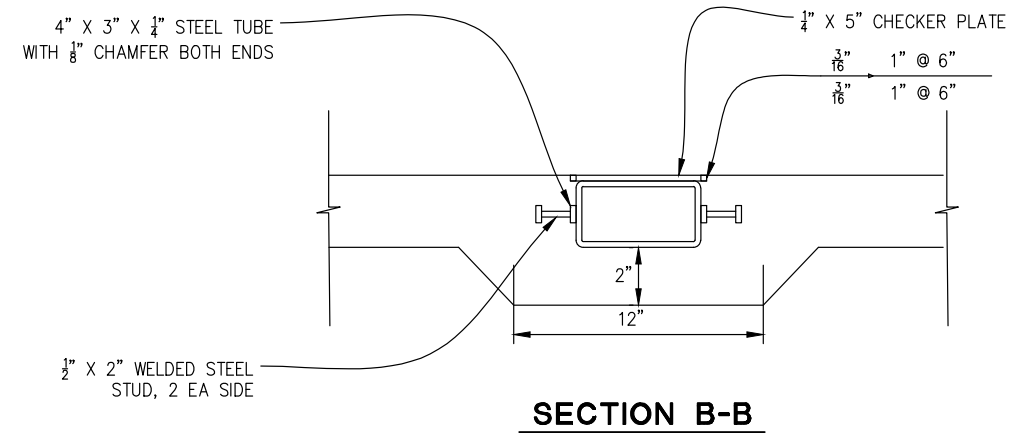


COUNTY OF EL DORADO
DEPARTMENT OF TRANSPORTATION

MERRYCHASE / COUNTRY CLUB DRIVE
IMPROVEMENTS

SHEET	C-12
21 OF 43	
W.O. No.	72312

ORIGINAL SCALE IS IN INCHES
 Drawing name: Z:\Civil 3D Projects\72312 Merry Chase and Country Club Dr Ped-Bike Improvements\CADD Files\Sheets\C Sheets.dwg Layout Tab: C-13 Feb 24, 2021 - 12:39pm ANguyen
 FOR REDUCED PLANS



UNDER SIDEWALK DRAIN
NO SCALE

90%

CONSTRUCTION DETAILS
SCALE : AS SHOWN

REVISION	NUMBER	DATE	DESCRIPTION	BY

PREPARED UNDER THE SUPERVISION OF :

REGISTERED CIVIL ENGINEER
DATE: _____

DESIGNED: JN DRAWN: AN
CHECKED: DH DATE: 2/24/2021
ROAD NUMBER: 198/334



COUNTY OF EL DORADO
DEPARTMENT OF TRANSPORTATION

MERRYCHASE / COUNTRY CLUB DRIVE
IMPROVEMENTS

SHEET
C-13
22 OF 43
W.O. No. **72312**

ORIGINAL SCALE IS IN INCHES
 Drawing name: Z:\Civil 3D Projects\72312 Merry Chase and Country Club Dr. Ped-Bike Improvements\CADD Files\Sheets\C_Sheets.dwg Layout Tab: C-14 Feb 24, 2021 - 12:39pm ANguyen
 FOR REDUCED PLANS
 2
 1
 0

STATION LIMITS	SHEET #	CURB & GUTTER		CURB				VALLEY GUTTER			AB (CLASS 2)		HMA (TYPE A)		
		(TYPE A2-6)	(TYPE A1-6)	(TYPE A1-6) (MOD)	(TYPE A1-8)	(TYPE E)	RETAINING CURB MODIFIED	VALLEY GUTTER	MINOR Conc (VALLEY GUTTER)	AB (CLASS 2)	(SQFT)	(TON)	(SQFT)	(TON)	
		(LF)	(LF)		(LF)		(LF)	(SF)	(CY)	(CY)					
'C Line' 19+78.41 to 24+25.00 RT	L1, L2	455													
'C Line' 22+00.00 to 24+25.00 RT	L1, L2				225										
'C Line' 24+25.00 to 24+83.00 RT	L2, C2							522	5.80	9.67					
'C Line' 24+64.64 to 26+00.00 RT	L2				136										
'C Line' 24+83 to 26+67.34.00 RT	L2	185													
'C Line' 26+67.34 to 26+82.81 RT	L2, C3				16										
'M Line' 24+69.25 to 25+30.00 LT	L3, L4				61										
'M Line' 25+30.00 to 25+80.00 LT	L4														
'M Line' 25+80.00 to 25+86.00 LT	L4				6										
'M Line' 26+02.00 to 26+04.95 LT	L4						3								
'M Line' 26+04.95 to 27+00.00 LT	L4														
'M Line' 27+00.00 to 27+27.44 LT	L4						28								
'M Line' 27+64.84 to 29+28.87 LT	L4				164										
'C Line' 19+70.00 to 19+96.00 LT	C1		27												
'C Line' 19+70.00 to 19+80.50 LT	C1		14												
'C Line' 19+85.50 to 19+96.00 LT	C1		15												
'C Line' 19+76.89 to 19+89.11 LT	C1	13											24.44	1.53	
'C Line' 19+83.78 to 19+91.41 RT	C1														
'C Line' 19+19.22 to 19+28.89 RT	C2		11												
'C Line' 19+19.23 to 19+30.33 RT	C2		17												
'C Line' 19+29.71 to 19+36.68 RT	C2	20											41.60	2.60	
'C Line' 24+25.00 to 24+37.70 RT	C2		18												
'C Line' 24+64.64 to 24+82.99 RT	C2		19												
'C Line' 24+42.69 to 24+64.64 RT	C2										110.00	4.13	110.00	4.13	
'C Line' 26+19.89 to 26+34.41 RT	C3		19												
'C Line' 26+43.71 to 26+47.00 RT	C3		12												
'C Line' 26+82.81 to 27+03.14 RT	C3		27												
'C Line' 26+82.81 to 26+92.81 RT	C3	10													
'C Line' 26+92.81 to 27+03.14 RT	C3							53	0.98						
'C Line' 27+26.96 to 27+37.61 RT	C3		25												
'C Line' 27+26.96 to 27+37.61 RT	C3							51	0.94						
'C Line' 27+37.61 to 27+45.00 RT	C3	8													
'C Line' 26+15.00 to 26+25.00 LT	C4		10												
'C Line' 26+15.00 to 26+40.11 LT	C4							216	2.64	4.00					
'C Line' 26+40.11 to 26+39.30 LT	C4					9									
'C Line' 26+70.97 to 26+92.00 LT	C4		39												
'C Line' 26+70.97 to 26+92.00 LT	C4							214	2.62	3.96					
'C Line' 31+23.00 to 31+46.00 RT	C5												46.00	2.87	
'C Line' 31+23.00 to 31+46.00 RT	C5			23											
'C Line' 31+46.00 to 31+57.44 RT	C5							71	0.87	1.31					
'C Line' 31+56.85 to 31+57.44 RT	C5		6												
'C Line' 31+27.44 to 31+41.77 LT	C5		20										36.00	2.25	
'M Line' 15+25.03 to 15+43.29 LT	C6							132	1.61	2.44					
'M Line' 15+25.03 to 15+38.50 LT	C6		24												
'M Line' 15+77.06 to 16+00.02 LT	C6							178	2.18	3.30					
'M Line' 15+83.19 to 16+00.82 LT	C6		26												
'M Line' 15+55.90 to 15+86.53 RT	C7	34											74.00	4.62	
'M Line' 15+56.05 to 15+82.27 RT	C7		28												
'M Line' 16+28.53 to 16+47.05 RT	C7	22											49.00	3.06	
'M Line' 16+33.42 to 16+49.28 RT	C7		18												
'M Line' 18+95.12 to 19+17.44 LT	C8		29												
'M Line' 18+95.12 to 19+12.64 LT	C8							169	2.07	3.13					

90%

QUANTITIES
SCALE : AS SHOWN

REVISION	NUMBER	DATE	DESCRIPTION	BY

PREPARED UNDER THE SUPERVISION OF :

 REGISTERED CIVIL ENGINEER
 DATE: _____

DESIGNED: JN DRAWN: AN
 CHECKED: DH DATE: 1/26/2021
 ROAD NUMBER: 198/334



COUNTY OF EL DORADO
 DEPARTMENT OF TRANSPORTATION

MERRYCHASE / COUNTRY CLUB DRIVE
 IMPROVEMENTS

SHEET
C-14
 23 OF 43
 W.O. No. **72312**

ORIGINAL SCALE IS IN INCHES
 Drawing name: Z:\Civil 3D Projects\72312 Merry Chase and Country Club Dr. Ped-Bike Improvements\CADD Files\Sheets\C_Sheets.dwg Layout Tab: C-15 Feb 24, 2021 - 3:14pm ANguyen
 FOR REDUCED PLANS
 0 1 2

STATION LIMITS	SHEET #	CURB & GUTTER		CURB			VALLEY GUTTER			AB (CLASS 2)		HMA (TYPE A)		
		(TYPE A2-6)	(TYPE A1-6)	(TYPE A1-6) (MOD)	(TYPE A1-8)	(TYPE E)	RETAINING CURB MODIFIED	VALLEY GUTTER	MINOR Conc (VALLEY GUTTER)	AB (CLASS 2)				
		(LF)	(LF)		(LF)		(LF)	(SF)	(CY)	(CY)	(SQFT)	(TON)	(SQFT)	(TON)
'M Line' 22+61.00 to 22+79.57 RT	C9		19											
'M Line' 22+61.00 to 22+90.00RT	C9	29												
'M Line' 27+28.06 to 27+64.86 RT	C10											728.00	19.11	
'M Line' 22+17.00 to 27+85.00 LT	C10	68												
'M Line' 22+28.06 to 27+28.06 LT	C10					21								
'M Line' 27+63.86 to 27+64.86 LT	C10				20									
'M Line' 29+28.87 to 29+58.94 RT	C11											293.00	7.69	
'M Line' 29+07.50 to 29+77.00 LT	C11	70												
'M Line' 29+28.87 to 29+31.13 LT	C11		11											
'M Line' 29+59.71 to 29+77.00 LT	C11		28											
'M Line' 34+95.78 to 35+12.77 LT	C12		23											
'M Line' 34+96.82 to 35+16.90 LT	C12	28										58.00	3.62	
'M Line' 35+61.97 to 35+82.44 LT	C12	29										63.00	3.94	
'M Line' 35+68.09 to 35+84.11 LT	C12		23											
TOTAL		971	508.00	23.00	628	30	31	1606	19.70	27.81	110.00	4.13	1523.04	55.42

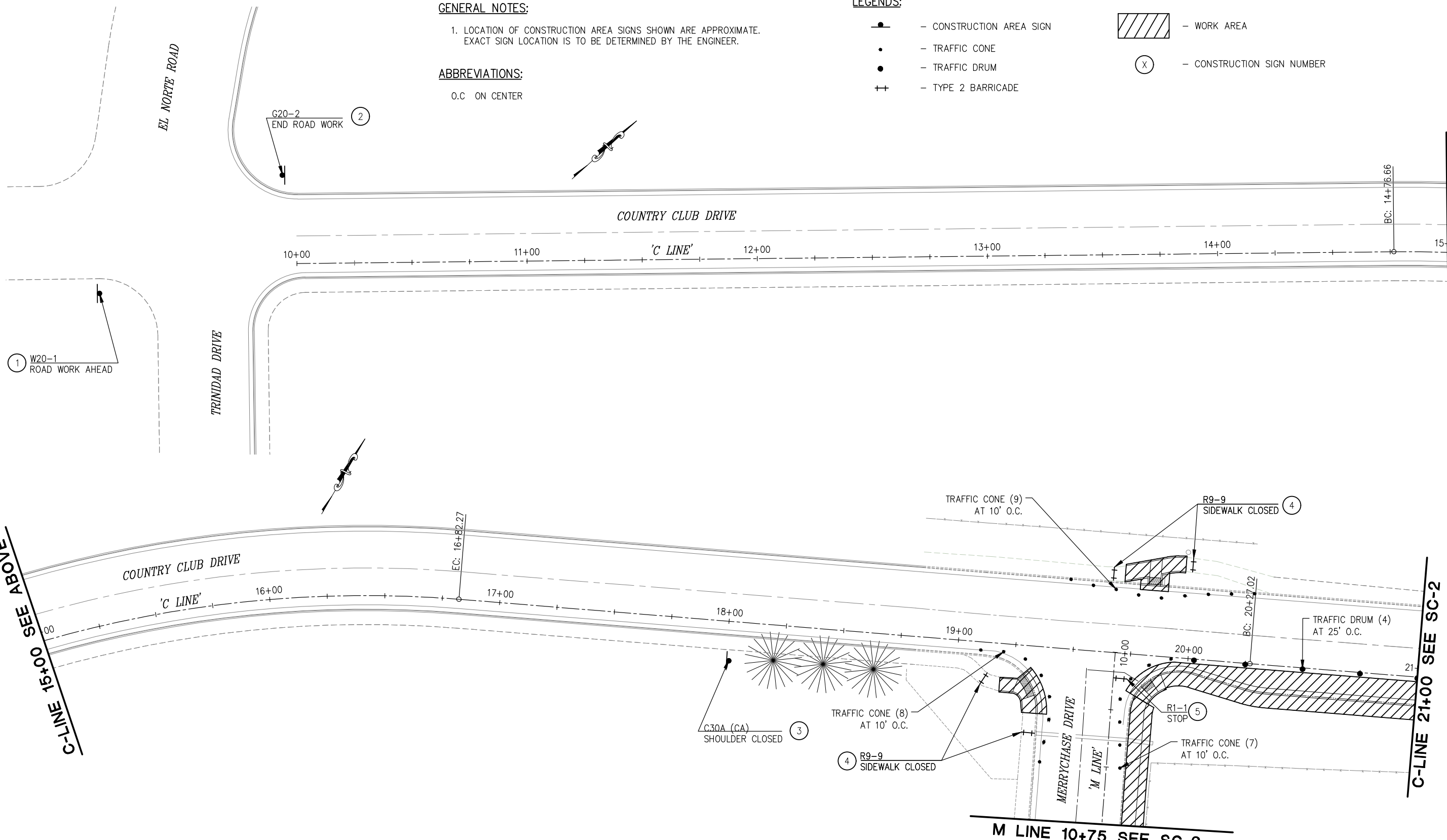
90%

QUANTITIES
SCALE : AS SHOWN

REVISION	NUMBER	DATE	DESCRIPTION	BY

PREPARED UNDER THE SUPERVISION OF : REGISTERED CIVIL ENGINEER DATE: _____	DESIGNED: JN CHECKED: DH ROAD NUMBER: 198/334	DRAWN: AN DATE: 2/24/2021	 <p align="center">COUNTY OF EL DORADO DEPARTMENT OF TRANSPORTATION</p>	<p align="center">MERRYCHASE / COUNTRY CLUB DRIVE IMPROVEMENTS</p>	SHEET C-15 24 OF 43 W.O. No. 72312
	<p align="center">90%</p>				

ORIGINAL SCALE IS IN INCHES
 Drawing name: Z:\Civil 3D Projects\72312 Merry Chase and Country Club Dr Ped-Bike Improvements\CADD Files\Sheets\SC-Sheets.dwg Layout Tab: SC-1 Feb 24,2021 - 2:24pm ANhuynh
 FOR REDUCED PLANS



GENERAL NOTES:

1. LOCATION OF CONSTRUCTION AREA SIGNS SHOWN ARE APPROXIMATE. EXACT SIGN LOCATION IS TO BE DETERMINED BY THE ENGINEER.

ABBREVIATIONS:

O.C. ON CENTER

LEGENDS:

- - CONSTRUCTION AREA SIGN
- - TRAFFIC CONE
- - TRAFFIC DRUM
- ++ - TYPE 2 BARRICADE
- ▨ - WORK AREA
- ⊗ - CONSTRUCTION SIGN NUMBER

C-LINE 15+00 SEE ABOVE

C-LINE 15+00 SEE BELOW

C-LINE 21+00 SEE SC-2

M LINE 10+75 SEE SC-3

90%

CONSTRUCTION AREA SIGNS
SCALE : 1" = 20'

REVISION	NUMBER	DATE	DESCRIPTION	BY

PREPARED UNDER THE SUPERVISION OF :

 REGISTERED CIVIL ENGINEER
 DATE: _____

DESIGNED: JN DRAWN: AN
 CHECKED: DH DATE: 2/24/2021
 ROAD NUMBER: 198/334

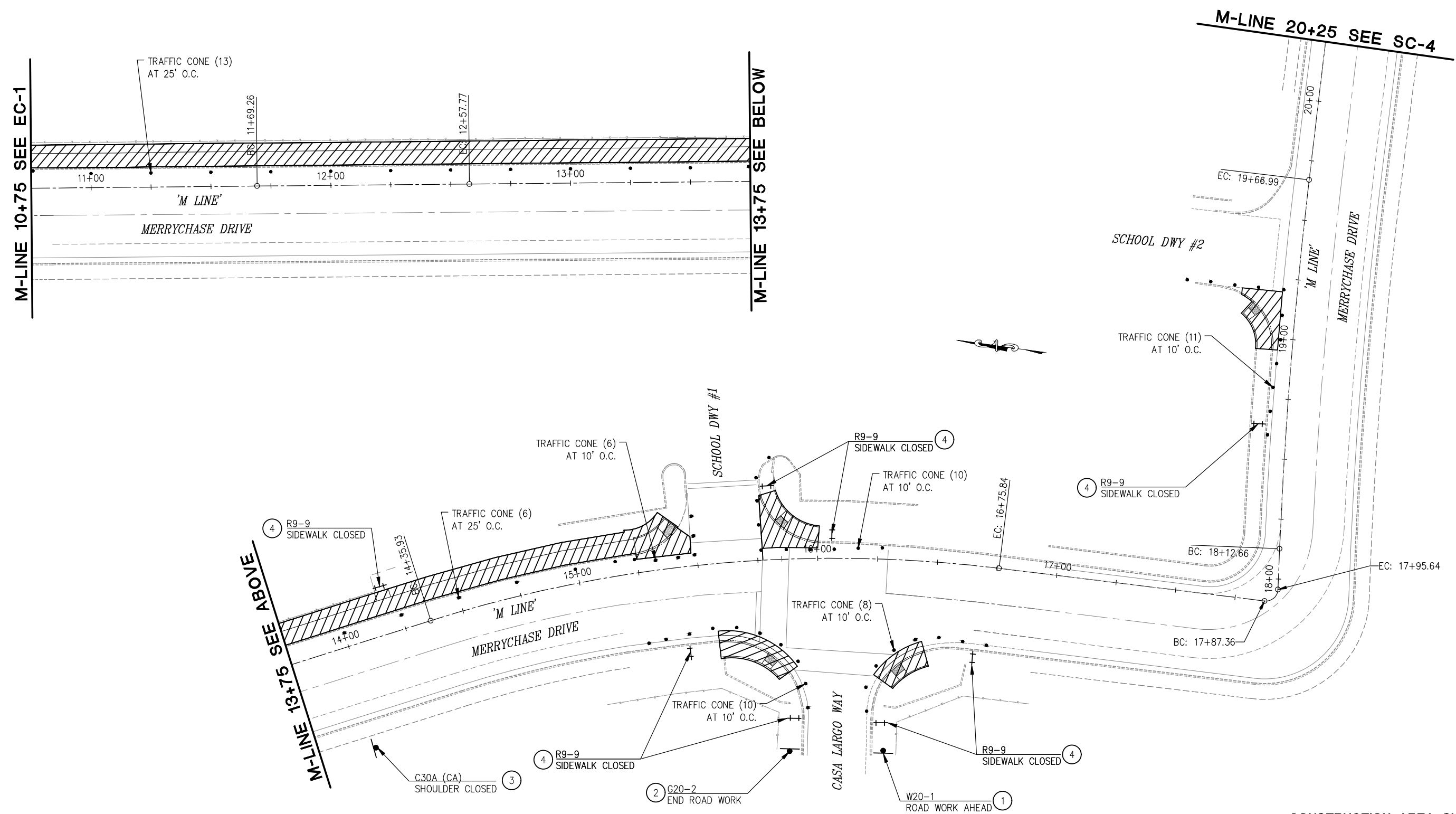


COUNTY OF EL DORADO
 DEPARTMENT OF TRANSPORTATION

MERRYCHASE / COUNTRY CLUB DRIVE
 IMPROVEMENTS

SHEET
SC-1
 25 OF 43
 W.O. No. **72312**

ORIGINAL SCALE IS IN INCHES
 Drawing name: Z:\Civil 3D Projects\72312 Merry Chase and Country Club Dr Ped-Bike Improvements\CADD Files\Sheets\SC-Sheets.dwg Layout Tab: SC-3 Feb 24, 2021 - 2:31pm ANhuven
 FOR REDUCED PLANS



CONSTRUCTION AREA SIGNS
SCALE : 1" = 20'

REVISION	NUMBER	DATE	DESCRIPTION	BY

PREPARED UNDER THE SUPERVISION OF :

 REGISTERED CIVIL ENGINEER
 DATE: _____

DESIGNED: JN DRAWN: AN
 CHECKED: DH DATE: 2/24/2021
 ROAD NUMBER: 198/334

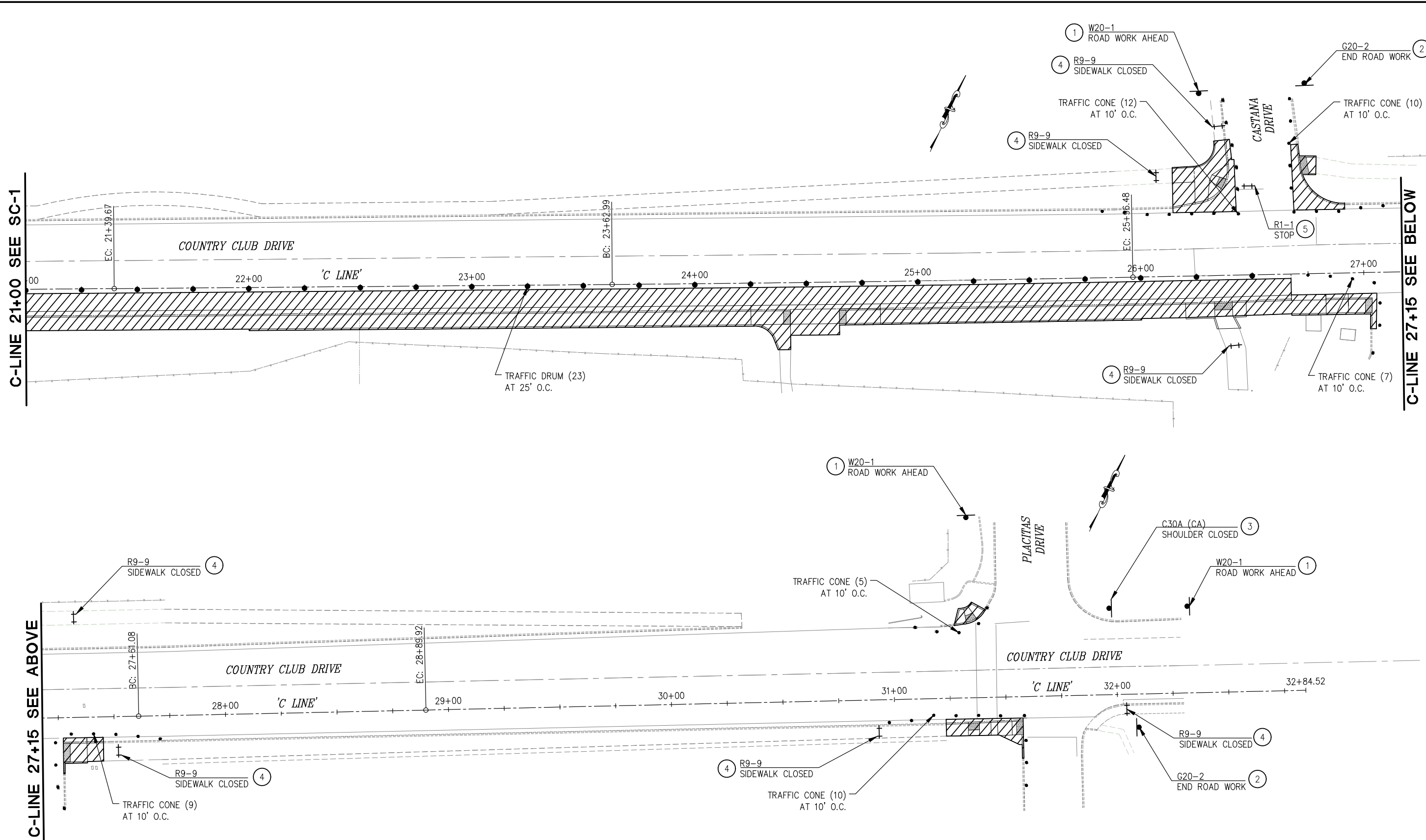


COUNTY OF EL DORADO
 DEPARTMENT OF TRANSPORTATION

MERRYCHASE / COUNTRY CLUB DRIVE
 IMPROVEMENTS

SHEET
 SC-3
 27 OF 43
 W.O. No. 72312

ORIGINAL SCALE IS IN INCHES
 Drawing name: Z:\Civil 3D Projects\72312 Merry Chase and Country Club Dr Ped-Bike Improvements\CADD Files\Sheets\SC-Sheets\SC-Sheets.dwg Layout Tab: SC-2 Feb 24, 2021 - 2:29pm ANguyen
 FOR REDUCED PLANS



C-LINE 21+00 SEE SC-1

C-LINE 27+15 SEE BELOW

C-LINE 27+15 SEE ABOVE

90%

CONSTRUCTION AREA SIGNS
SCALE : 1" = 20'

REVISION	NUMBER	DATE	DESCRIPTION	BY

PREPARED UNDER THE SUPERVISION OF :
 REGISTERED CIVIL ENGINEER
 DATE:

DESIGNED: JN
 DRAWN: AN
 CHECKED: DH
 DATE: 2/24/2021
 ROAD NUMBER: 198/334



COUNTY OF EL DORADO
 DEPARTMENT OF TRANSPORTATION

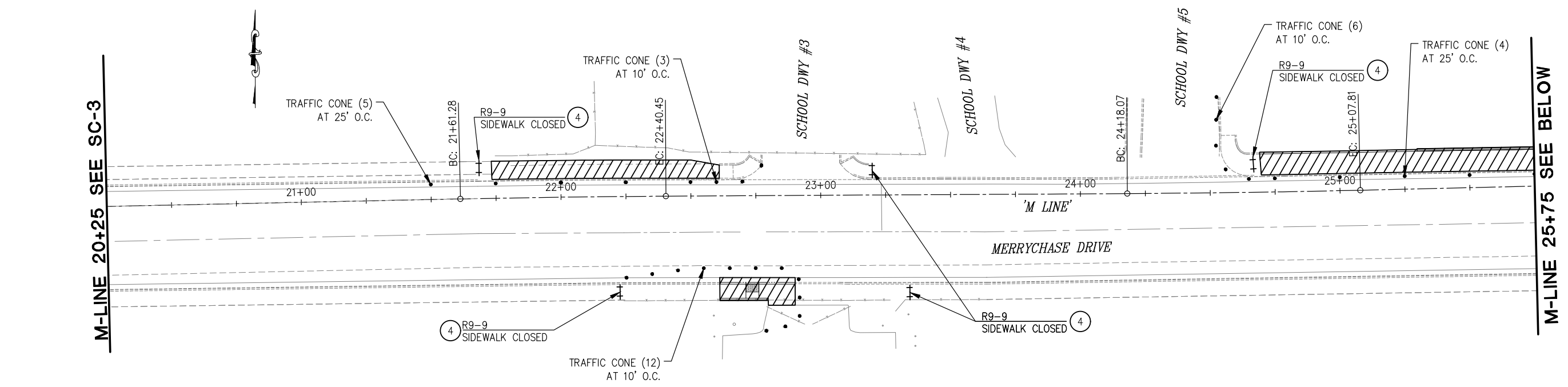
MERRYCHASE / COUNTRY CLUB DRIVE
 IMPROVEMENTS

SHEET
 SC-2
 26 OF 43
 W.O. No. 72312

ORIGINAL SCALE IS IN INCHES
 Drawing name: Z:\Civil 3D Projects\72312 Merry Chase and Country Club Dr Ped-Bike Improvements\CADD Files\Sheets\SC-Sheets.dwg Layout Tab: SC-4 Feb 24, 2021 - 2:32pm ANguyen
 FOR REDUCED PLANS

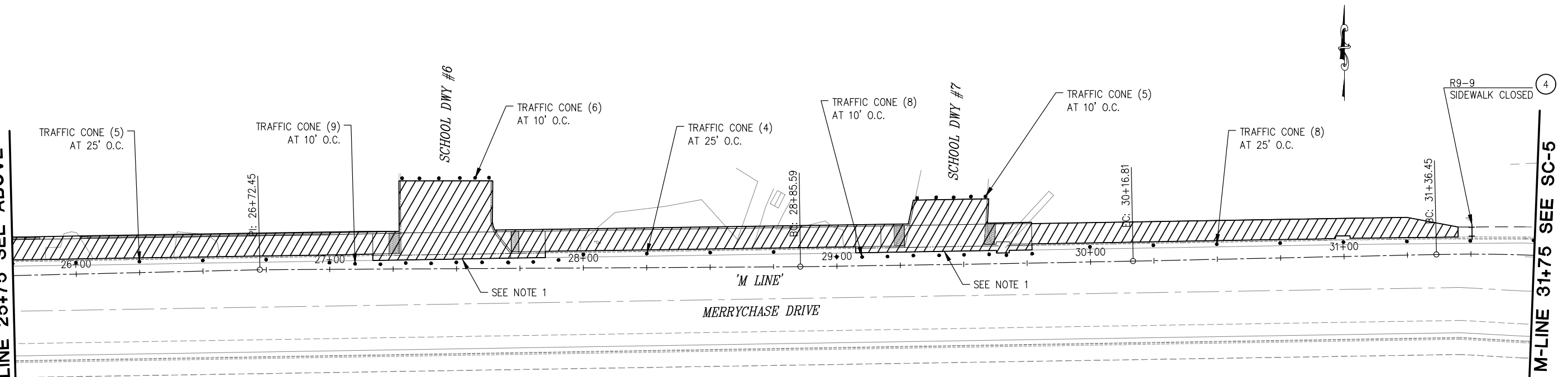
M-LINE 20+25 SEE SC-3

M-LINE 25+75 SEE BELOW



M-LINE 25+75 SEE ABOVE

M-LINE 31+75 SEE SC-5



GENERAL NOTES:

- SCHOOL DRIVEWAY NUMBER 6 AND 7 CANNOT BE CLOSED AT THE SAME TIME DURING SCHOOL HOURS. ONE DRIVEWAY MUST REMAIN OPEN AT ALL TIMES. DETOUR SCHOOL TRAFFIC AS NEEDED.

90%

CONSTRUCTION AREA SIGNS
SCALE : 1" = 20'

REVISION	NUMBER	DATE	DESCRIPTION	BY

PREPARED UNDER THE SUPERVISION OF :

REGISTERED CIVIL ENGINEER

DATE: _____

DESIGNED: JN DRAWN: AN

CHECKED: DH DATE: 2/24/2021

ROAD NUMBER: 198/334

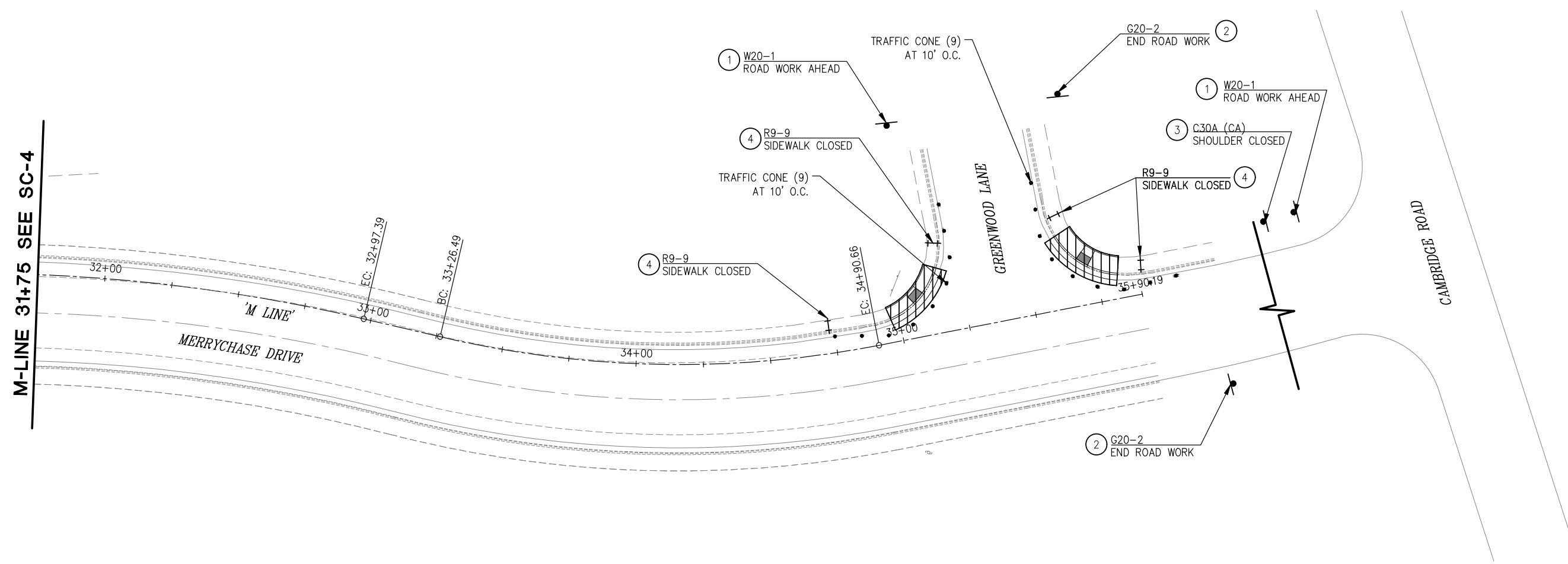


COUNTY OF EL DORADO
DEPARTMENT OF TRANSPORTATION

MERRYCHASE / COUNTRY CLUB DRIVE
IMPROVEMENTS

SHEET
SC-4
28 OF 43
W.O. No. **72312**

ORIGINAL SCALE IS IN INCHES
 Drawing name: Z:\Civil 3D Projects\72312 Merry Chase and Country Club Dr Ped-Bike Improvements\CADD Files\Sheets\SC-Sheets.dwg Layout Tab: SC-5 Feb 24, 2021 - 2:35pm ANguyen
 FOR REDUCED PLANS
 2
 1
 0



CONSTRUCTION AREA SIGNS (N)					
SIGN NO.	SIGN	CODE	PANEL SIZE (INCHES)	POST SIZE	INSTALL (EA)
1	ROAD WORK AHEAD	W20-1	30 X 30	4 X 4	7
2	END ROAD WORK	G20-2	36 X 18	4 X 4	6
3	SHOULDER CLOSED	C 30A<C A>	30 X 30	4 X 4	3
4	SIDEWALK CLOSED	R9-9	24 X 12	ON BARRICADE	28
5	STOP	R1-1	30 X 30	ON BARRICADE	2
TOTAL					46

SHEET #	TRAFFIC CONTROL QUANTITIES		
	TRAFFIC CONE (N) (EA)	DRUMS (N) (EA)	TYPE 2 BARRICADE (N) (EA)
SC-1	24	4	5
SC-2	53	23	7
SC-3	63	-	8
SC-4	75	-	6
SC-5	18	-	4
TOTAL	233	27	30

[N] NOT A SEPARATE PAY ITEM, FOR INFORMATION ONLY. ACTUAL QUANTITIES WILL BE BASED ON FIELD CONDITIONS OR AS DIRECTED BY THE ENGINEER.

90%

CONSTRUCTION AREA SIGNS
SCALE : 1" = 20'

REVISION	NUMBER	DATE	DESCRIPTION	BY

PREPARED UNDER THE SUPERVISION OF :

 REGISTERED CIVIL ENGINEER
 DATE: _____

DESIGNED: JN
 DRAWN: AN
 CHECKED: DH
 DATE: 2/24/2021
 ROAD NUMBER: 198/334

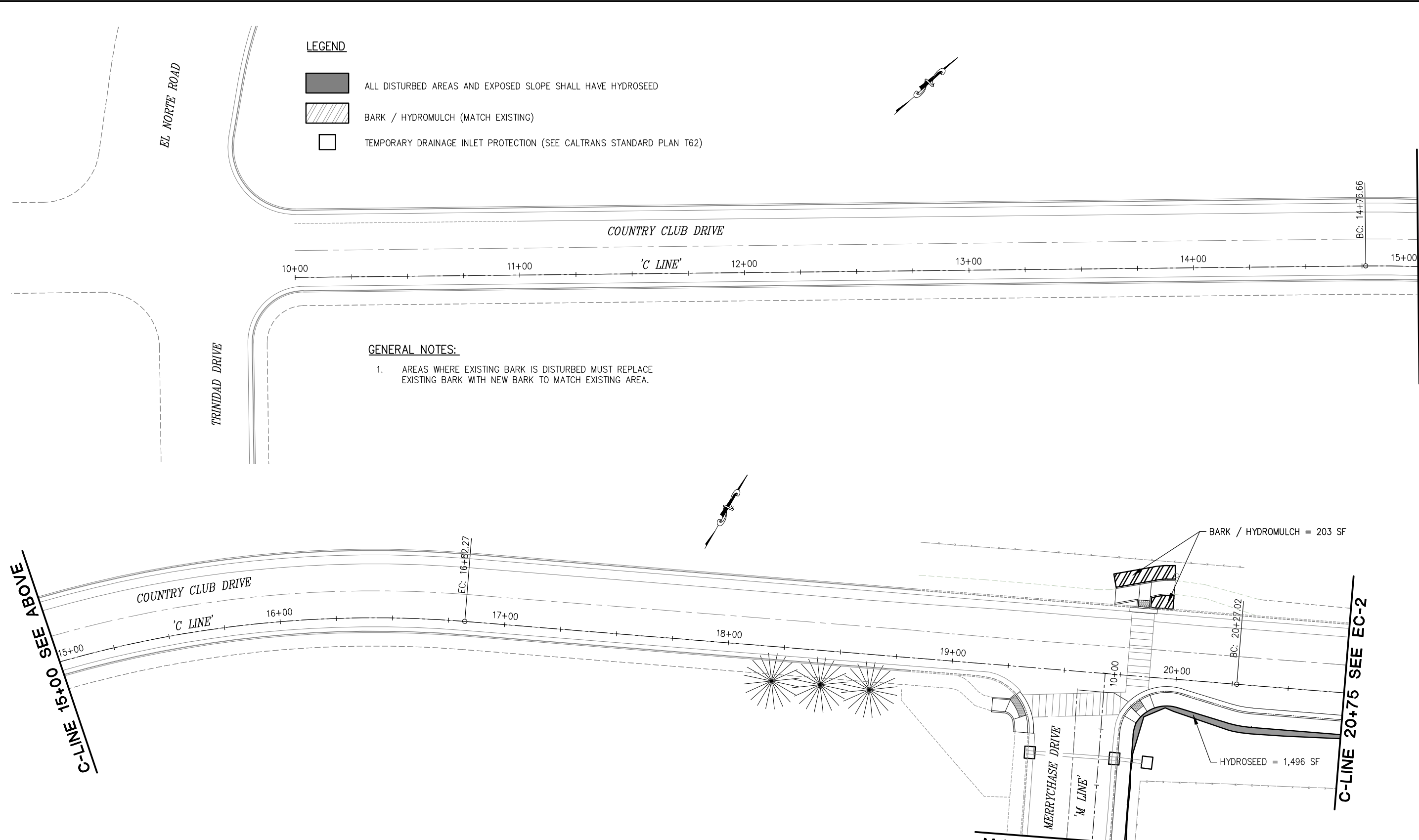


COUNTY OF EL DORADO
DEPARTMENT OF TRANSPORTATION

MERRYCHASE / COUNTRY CLUB DRIVE
IMPROVEMENTS

SHEET
SC-5
 29 OF 43
 W.O. No. **72312**

ORIGINAL SCALE IS IN INCHES
 Drawing name: Z:\Civil 3D Projects\72312 Merry Chase and Country Club Dr Ped-Bike Improvements\CADD Files\Sheets\EC-Sheets.dwg Layout Tab: EC-1 Feb 24, 2021 -- 2:42pm ANouven
 FOR REDUCED PLANS



LEGEND

	ALL DISTURBED AREAS AND EXPOSED SLOPE SHALL HAVE HYDROSEED
	BARK / HYDROMULCH (MATCH EXISTING)
	TEMPORARY DRAINAGE INLET PROTECTION (SEE CALTRANS STANDARD PLAN T62)

- GENERAL NOTES:**
- AREAS WHERE EXISTING BARK IS DISTURBED MUST REPLACE EXISTING BARK WITH NEW BARK TO MATCH EXISTING AREA.

C-LINE 15+00 SEE ABOVE

C-LINE 15+00 SEE BELOW

C-LINE 20+75 SEE EC-2

M-LINE 10+75 SEE EC-3

BARK / HYDROMULCH = 203 SF

HYDROSEED = 1,496 SF

90%

**EROSION CONTROL
SCALE : 1" = 20'**

REVISION	NUMBER	DATE	DESCRIPTION	BY

PREPARED UNDER THE SUPERVISION OF : REGISTERED CIVIL ENGINEER DATE:	DESIGNED: JN DRAWN: AN CHECKED: DH DATE: 2/24/2021 ROAD NUMBER: 198/334
---	---



**COUNTY OF EL DORADO
 DEPARTMENT OF TRANSPORTATION**

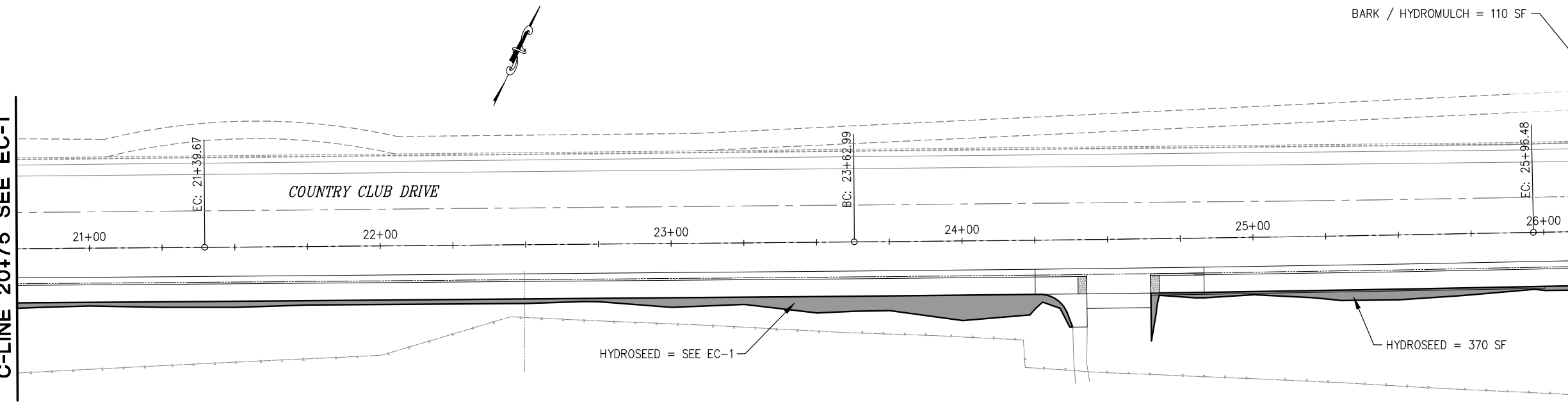
**MERRYCHASE / COUNTRY CLUB DRIVE
 IMPROVEMENTS**

SHEET	EC-1
30 OF 43	
W.O. No.	72312

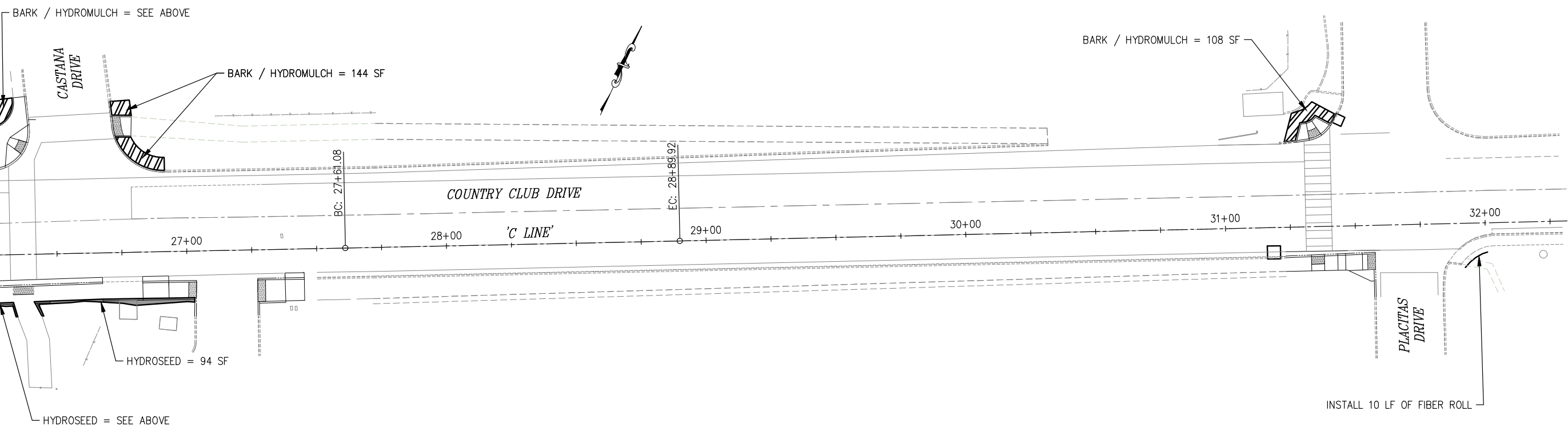
ORIGINAL SCALE IS IN INCHES
 Drawing name: Z:\Civil 3D Projects\72312 Merry Chase and Country Club Dr Ped-Bike Improvements\CADD Files\Sheets\EC-Sheets.dwg Layout Tab: EC-2 Feb 24, 2021 - 2:43pm ANauven
 FOR REDUCED PLANS

C-LINE 20+75 SEE EC-1

C-LINE 26+25 SEE BELOW



C-LINE 26+25 SEE ABOVE



90%

EROSION CONTROL
SCALE : 1" = 20'

REVISION	NUMBER	DATE	DESCRIPTION	BY

PREPARED UNDER THE SUPERVISION OF :

 REGISTERED CIVIL ENGINEER
 DATE: _____

DESIGNED: JN DRAWN: AN
 CHECKED: DH DATE: 2/24/2021
 ROAD NUMBER: 198/334

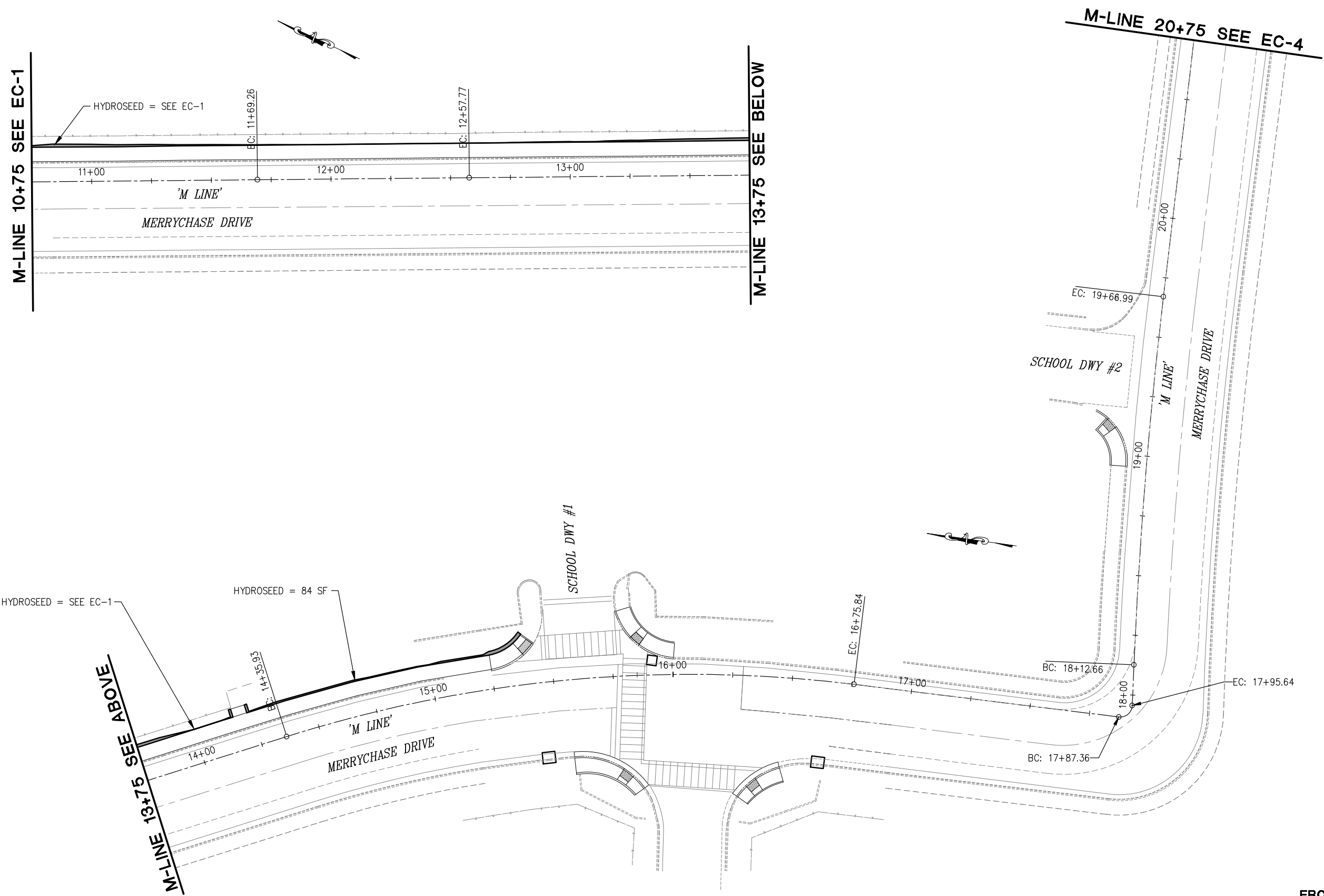


COUNTY OF EL DORADO
DEPARTMENT OF TRANSPORTATION

MERRYCHASE / COUNTRY CLUB DRIVE
IMPROVEMENTS

SHEET
EC-2
31 OF 43
W.O. No. 72312

ORIGINAL SCALE IS IN INCHES
 Drawing name: Z:\Civil 3D Projects\72312 Merry Chase and Country Club Dr Ped-Bike Improvements\CADD Files\Sheets\EC-Sheets.dwg Layout Tab: EC-3 Feb 24, 2021 - 2:43pm ANauven
 FOR REDUCED PLANS
 2
 1
 0



EROSION CONTROL
SCALE : 1" = 20'

REVISION	NUMBER	DATE	DESCRIPTION	BY

PREPARED UNDER THE SUPERVISION OF :

 REGISTERED CIVIL ENGINEER
 DATE: _____

DESIGNED: JN DRAWN: AN
 CHECKED: DH DATE: 2/24/2021
 ROAD NUMBER: 198/334



COUNTY OF EL DORADO
DEPARTMENT OF TRANSPORTATION

MERRYCHASE / COUNTRY CLUB DRIVE
IMPROVEMENTS

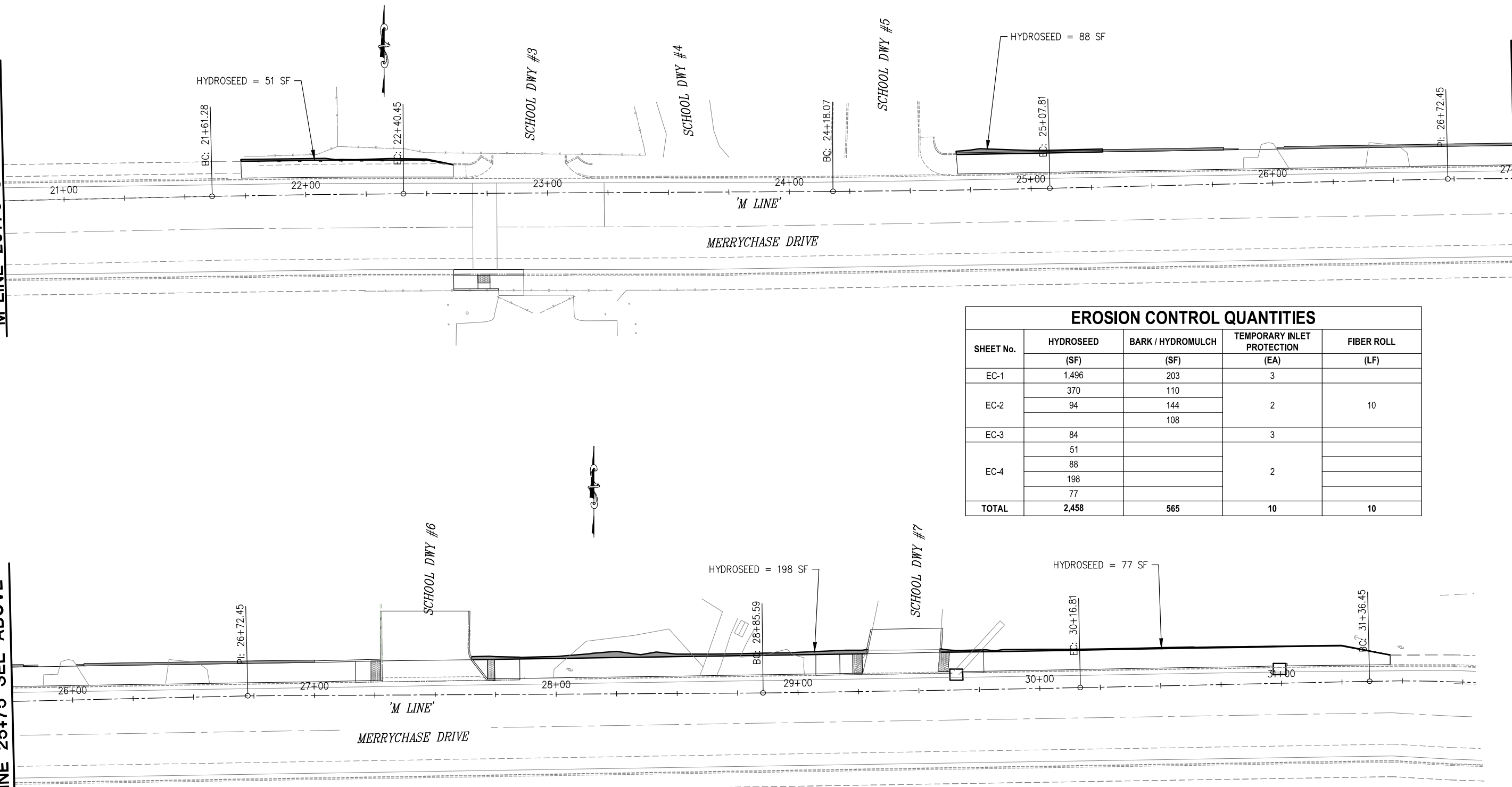
SHEET
EC-3
32 OF 43
W.O. No. 72312

ORIGINAL SCALE IS IN INCHES
 Drawing name: Z:\Civil 3D Projects\72312 Merry Chase and Country Club Dr Ped-Bike Improvements\CADD Files\Sheets\EC-Sheets.dwg Layout Tab: EC-4 Feb 24, 2021 - 2:44pm ANauev
 FOR REDUCED PLANS

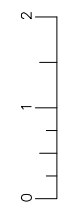
M-LINE 20+75 SEE EC-3

M-LINE 25+75 SEE ABOVE

M-LINE 25+75 SEE BELOW



EROSION CONTROL QUANTITIES				
SHEET No.	HYDROSEED	BARK / HYDROMULCH	TEMPORARY INLET PROTECTION	FIBER ROLL
	(SF)	(SF)	(EA)	(LF)
EC-1	1,496	203	3	
EC-2	370	110	2	10
	94	144		
EC-3	84		3	
	51			
EC-4	88		2	
	198			
	77			
TOTAL	2,458	565	10	10



REVISION	NUMBER	DATE	DESCRIPTION	BY

PREPARED UNDER THE SUPERVISION OF :

 REGISTERED CIVIL ENGINEER
 DATE: _____

DESIGNED: JN DRAWN: AN
 CHECKED: DH DATE: 2/24/2021
 ROAD NUMBER: 198/334



COUNTY OF EL DORADO
DEPARTMENT OF TRANSPORTATION

MERRYCHASE / COUNTRY CLUB DRIVE
IMPROVEMENTS

SHEET
EC-4
 33 OF 43
 W.O. No. **72312**

90%

EROSION CONTROL
SCALE : 1" = 20'

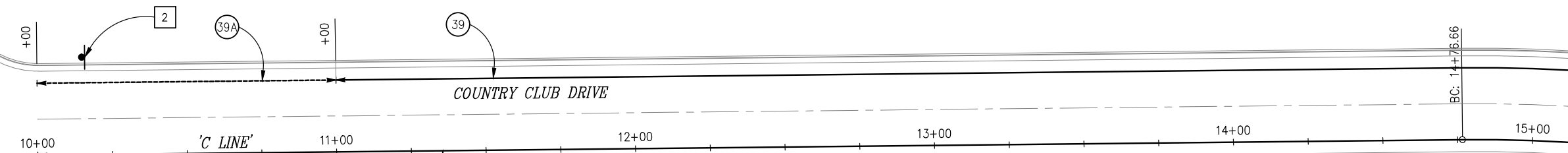
ORIGINAL SCALE IS IN INCHES
 Drawing name: Z:\Civil 3D Projects\72312 Merry Chase and Country Club Dr Ped-Bike Improvements\CADD Files\Sheets\SPD Sheets.dwg Layout Tab: SPD-1 Feb 24 2021 -- 2:50pm ANouven
 FOR REDUCED PLANS
 2
 1
 0

EL NORTE ROAD

TRINIDAD DRIVE

GENERAL NOTES:

1. THIS PLAN IS ACCURATE FOR PERMANENT SIGNING AND PAVEMENT DELINEATION ONLY. SEE "SC" SHEETS FOR CONSTRUCTION AREA SIGNS.
2. ALL STRIPING SHALL BE THERMOPLASTIC WITH ENHANCED WET-NIGHT VISIBILITY AND ALL PAVEMENT MARKINGS, CROSSWALKS, AND LIMIT LINES SHALL BE THERMOPLASTIC WITH ENHANCED WET-NIGHT VISIBILITY, UNLESS OTHERWISE NOTED. ALL EXISTING STRIPING, CROSSWALK, LIMIT LINES, AND PAVEMENT MARKINGS TO BE REPLACED SHALL BE GRIND OFF.
3. LIMIT LINE SIDE OF CROSSWALK STRIPING SHALL BE PLACED BY STATION AND OFFSET SHOWN ON PLANS OR AS DIRECTED BY ENGINEER. CROSSWALK STRIPING SHALL BE PER CALTRANS STANDARD PLAN A24F @ 10' C-C. LIMIT LINES SHALL BE PER CALTRANS RSP A24G. ALL CROSSWALKS MUST BE YELLOW THERMOPLASTIC.
4. MIDBLOCK CROSSWALKS ON COUNTRY CLUB DRIVE AND CROSSWALK AT MERRYCHASE DRIVE AND CASA LARGO WAY ARE TO USE LADDER STYLE CROSSWALK AS SHOWN PER CALTRANS STANDARD PLAN A24F.
5. ALL PAVEMENT MARKINGS ARE PER CALTRANS STANDARD PLANS AND RSP.
6. LOCATIONS OF SIGNS SHOWN ARE APPROXIMATE. EXACT LOCATION TO BE DETERMINED BY THE ENGINEER IN THE FIELD.
7. VERIFY HORIZONTAL AND VERTICAL LOCATION OF EXISTING UTILITIES PRIOR TO SIGN POST INSTALLATION.
8. ALL SIGN CODES SHOWN ARE FEDERAL SIGN CODES UNLESS DESIGNATED AS CALIFORNIA SIGN CODES.
9. SIGNS NOT CALLED OUT ARE TO REMAIN UNLESS OTHERWISE DIRECTED BY THE ENGINEER.
10. REMOVE ALL EXISTING STRIPE AND PAVEMENT MARKINGS WHERE NEW INSTALLED IS SHOWN TO BE.



LEGEND:

- | | | | | | |
|---|--|------|--------------------------|------|---------------------------|
| ○ | - EXIST SIGN | (XW) | - CROSSWALK | ↑ | - BIKE LANE ARROW |
| ● | - INSTALL SIGN SINGLE POST | (LL) | - LIMIT LINE | L | - "LANE" PAVEMENT MARKING |
| ■ | - REMOVE & SALVAGE EXISTING ROADSIDE SIGN | (XX) | - STRIPING DETAIL NUMBER | B | - "BIKE" PAVEMENT MARKING |
| ▲ | - RELOCATE EXISTING ROADSIDE SIGN | [XX] | - SIGN NUMBER | STOP | - "STOP" PAVEMENT MARKING |
| ⊘ | - LIMITS OF DESIGNATED STRIPES AND DETAILS | ← | - TYPE I (10' 0" ARROW) | | |
| ○ | - BC/EC/PCC | ↶ | - TYPE IV ARROW | | |
| △ | - ANGLE POINT | | | | |

C-LINE 15+25 SEE ABOVE

C-LINE 15+25 SEE BELOW

C-LINE 21+25 SEE SPD-2

COUNTRY CLUB DRIVE

'C LINE'

16+00

17+00

18+00

19+00

20+00

21+00

EC: 16+82.27

M-LINE 10+60 SEE SPD-3

SIGNING AND STRIPING SCALE : 1" = 20'

90%

REVISION	NUMBER	DATE	DESCRIPTION	BY

PREPARED UNDER THE SUPERVISION OF :

REGISTERED CIVIL ENGINEER

DATE: _____

DESIGNED: JN DRAWN: AN

CHECKED: DH DATE: 2/24/2021

ROAD NUMBER: 198/334

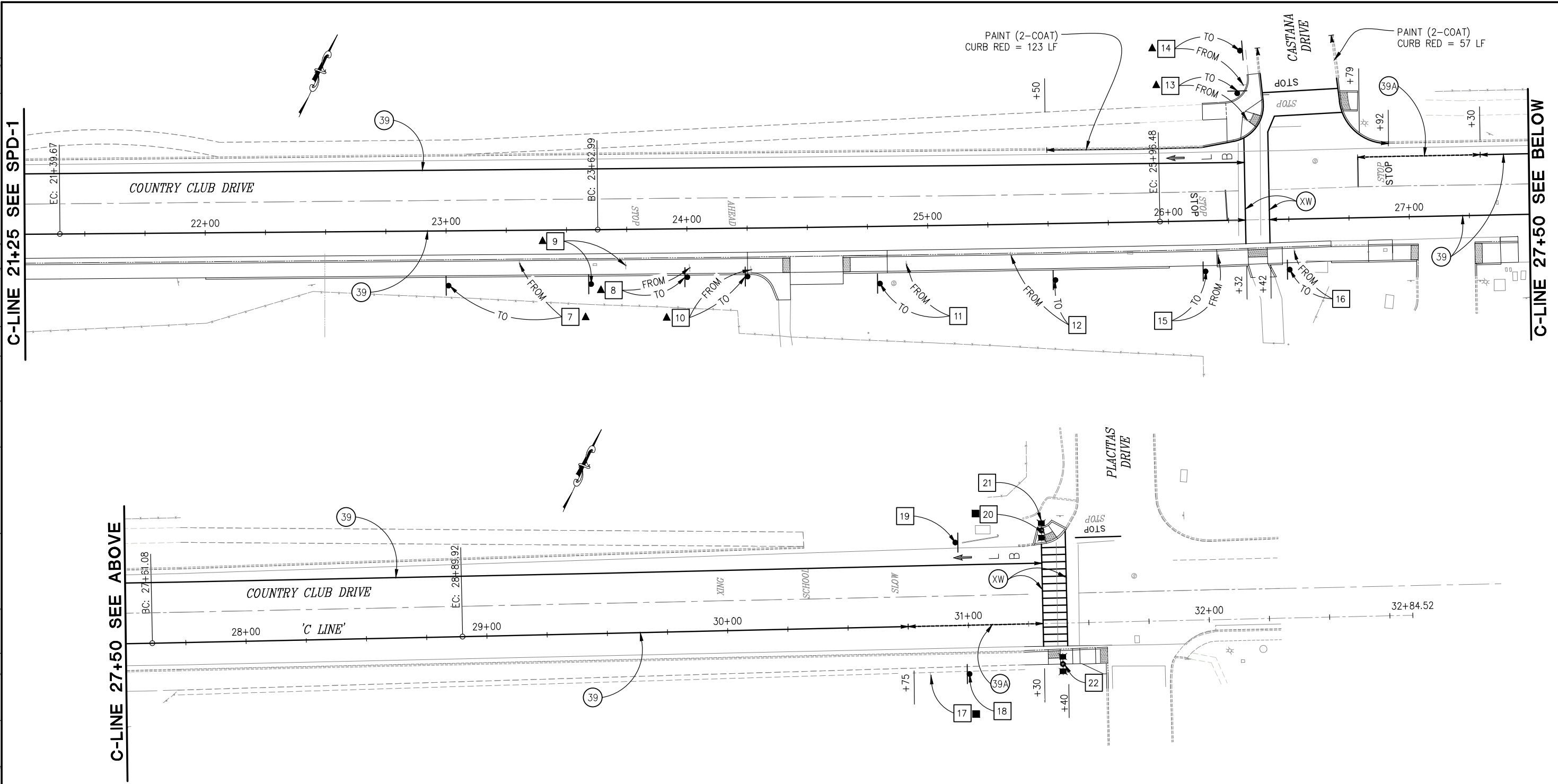


COUNTY OF EL DORADO
DEPARTMENT OF TRANSPORTATION

MERRYCHASE / COUNTRY CLUB DRIVE
IMPROVEMENTS

SHEET
SPD-1
34 OF 43
W.O. No. 72312

FOR REDUCED PLANS ORIGINAL SCALE IS IN INCHES
 Drawing name: Z:\Civil 3D Projects\72312 Merry Chase and Country Club Dr Ped-Bike Improvements\CADD Files\Sheets\SPD Sheets.dwg Layout Tab: SPD-2 Feb 24, 2021 - 2:51pm ANauven



C-LINE 21+25 SEE SPD-1

C-LINE 27+50 SEE BELOW

C-LINE 27+50 SEE ABOVE

90%

SIGNING AND STRIPING
 SCALE : 1" = 20'

REVISION	NUMBER	DATE	DESCRIPTION	BY

PREPARED UNDER THE SUPERVISION OF :

 REGISTERED CIVIL ENGINEER
 DATE: _____

DESIGNED: JN DRAWN: AN
 CHECKED: DH DATE: 2/24/2021
 ROAD NUMBER: 198/334



COUNTY OF EL DORADO
 DEPARTMENT OF TRANSPORTATION

MERRYCHASE / COUNTRY CLUB DRIVE
 IMPROVEMENTS

SHEET
 SPD-2
 35 OF 43
 W.O. No. 72312

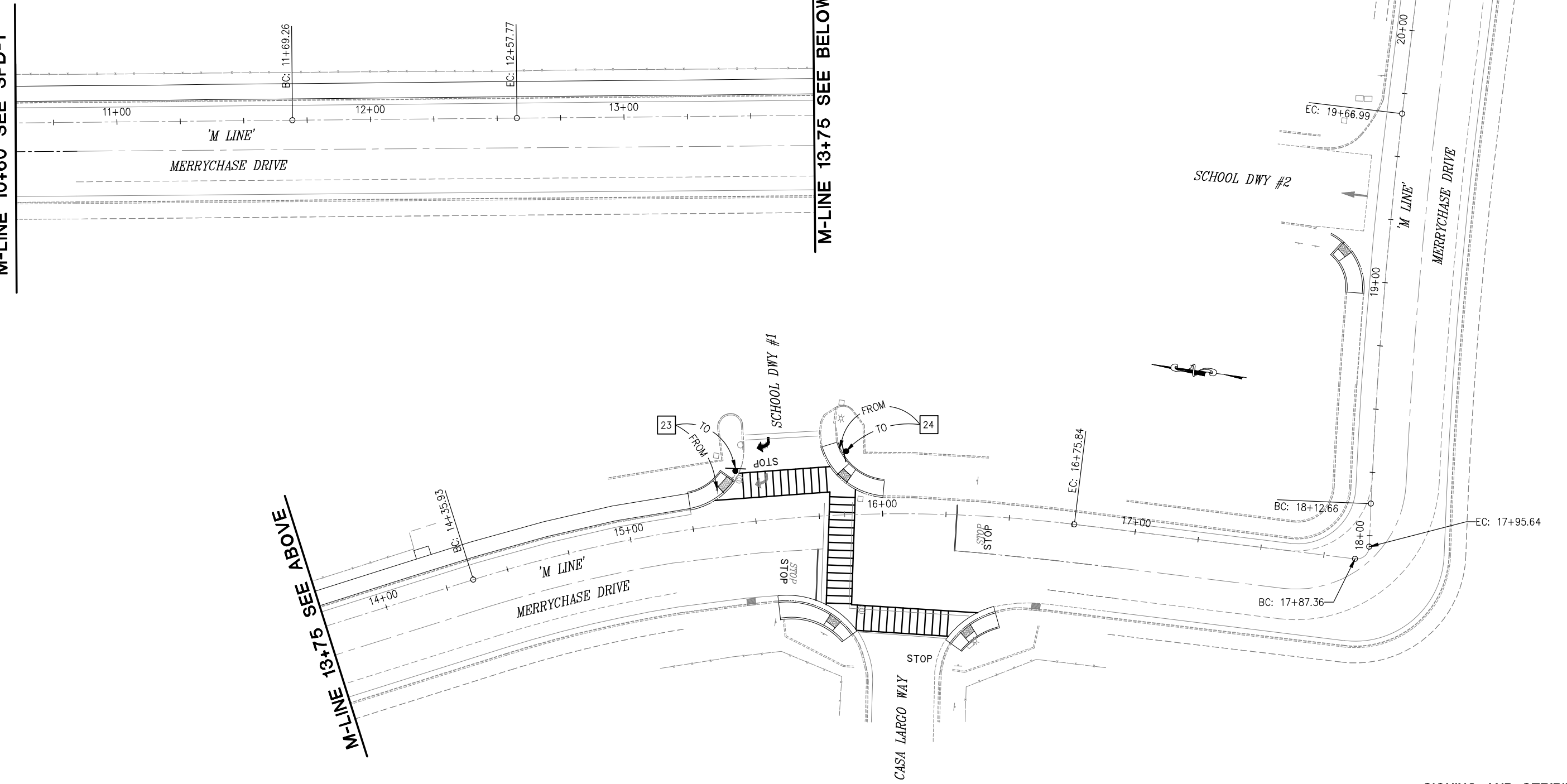
ORIGINAL SCALE IS IN INCHES
 Drawing name: Z:\Civil 3D Projects\72312 Merry Chase and Country Club Dr Ped-Bike Improvements\CADD Files\Sheets\SPD Sheets.dwg Layout Tab: SPD-3 Feb 24, 2021 - 2:52pm ANapuyen
 FOR REDUCED PLANS
 2
 1
 0

M-LINE 10+60 SEE SPD-1

M-LINE 13+75 SEE BELOW

M-LINE 13+75 SEE ABOVE

M-LINE 20+25 SEE SPD-4



90%

SIGNING AND STRIPING
SCALE : 1" = 20'

REVISION	NUMBER	DATE	DESCRIPTION	BY

PREPARED UNDER THE SUPERVISION OF :

 REGISTERED CIVIL ENGINEER
 DATE: _____

DESIGNED: JN DRAWN: AN
 CHECKED: DH DATE: 2/24/2021
 ROAD NUMBER: 198/334



COUNTY OF EL DORADO
 DEPARTMENT OF TRANSPORTATION

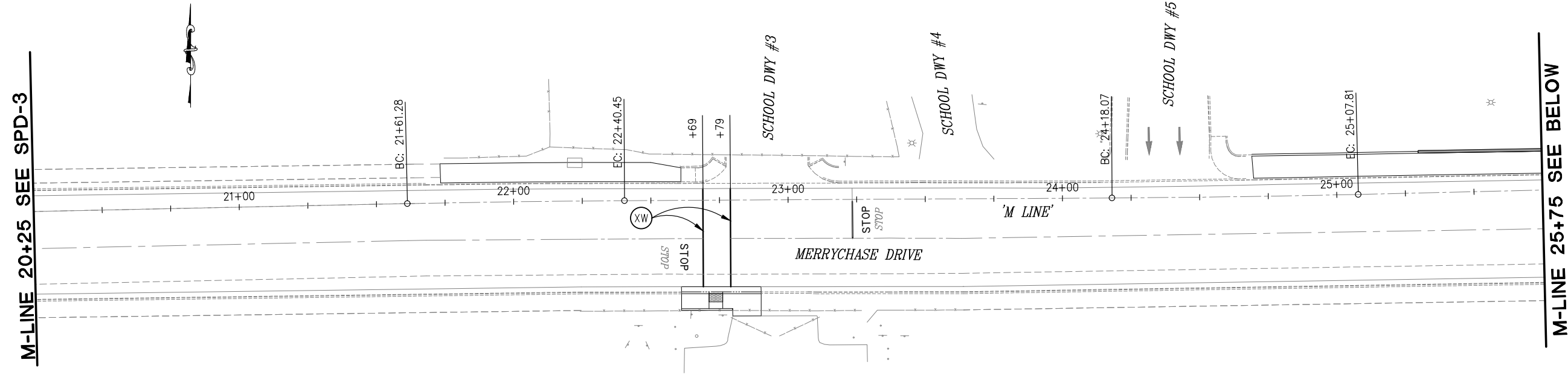
MERRYCHASE / COUNTRY CLUB DRIVE
 IMPROVEMENTS

SHEET
 SPD-3
 36 OF 43
 W.O. No. 72312

FOR REDUCED PLANS ORIGINAL SCALE IS IN INCHES
 Drawing name: Z:\Civil 3D Projects\72312 Merry Chase and Country Club Dr Ped-Bike Improvements\CADD Files\Sheets\SPD Sheets.dwg Layout Tab: SPD-4 Feb 24, 2021 - 2:53pm ANauyen

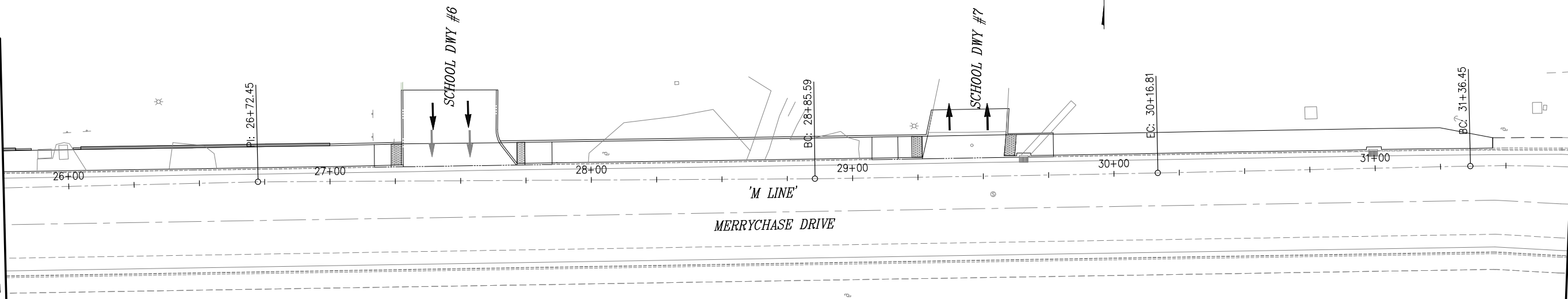


M-LINE 20+25 SEE SPD-3



M-LINE 25+75 SEE BELOW

M-LINE 25+75 SEE ABOVE



M-LINE 31+75 SEE SPD-5

90%

SIGNING AND STRIPING
 SCALE : 1" = 20'

REVISION	NUMBER	DATE	DESCRIPTION	BY

PREPARED UNDER THE SUPERVISION OF :

 REGISTERED CIVIL ENGINEER
 DATE: _____

DESIGNED: JN DRAWN: AN
 CHECKED: DH DATE: 2/24/2021
 ROAD NUMBER: 198/334



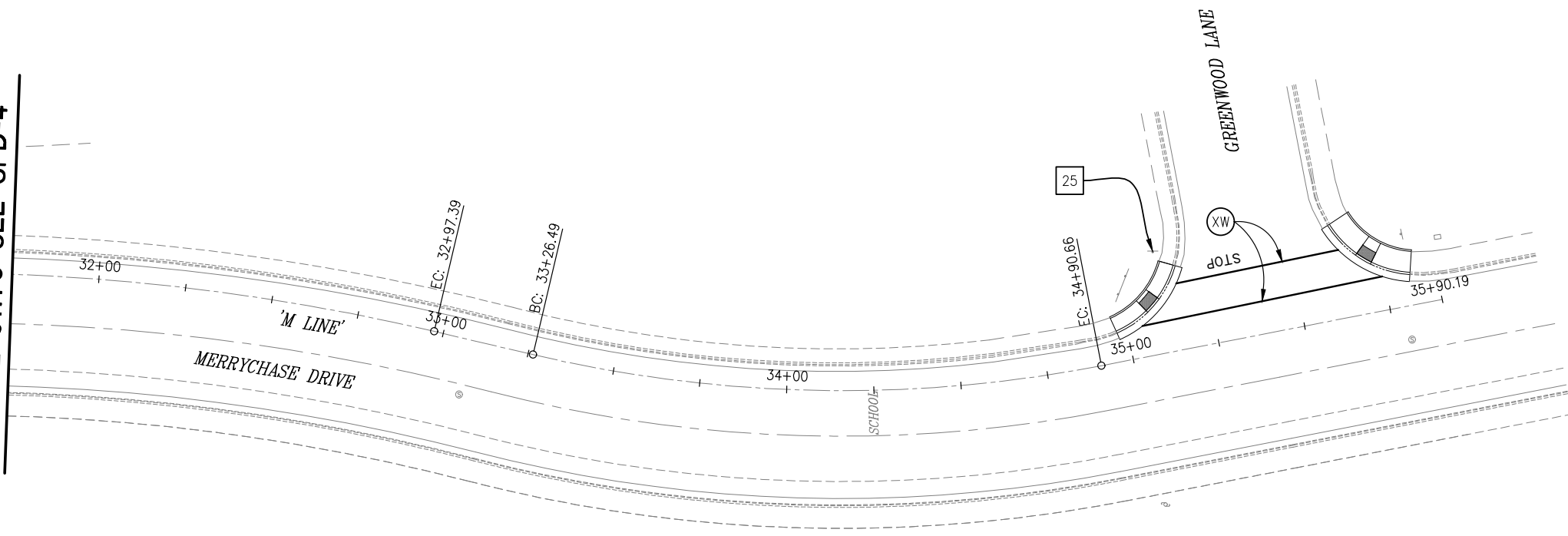
COUNTY OF EL DORADO
 DEPARTMENT OF TRANSPORTATION

MERRYCHASE / COUNTRY CLUB DRIVE
 IMPROVEMENTS

SHEET
 SPD-4
 37 OF 43
 W.O. No. 72312

ORIGINAL SCALE IS IN INCHES
 Drawing name: Z:\Civil 3D Projects\72312 Merry Chase and Country Club Dr Ped-Bike Improvements\CADD Files\Sheets\SPD Sheets.dwg Layout Tab: SPD-5 Feb 24, 2021 - 2:54pm ANapuyen
 FOR REDUCED PLANS
 2
 1
 0

M-LINE 31+75 SEE SPD-4



90%

SIGNING AND STRIPING
SCALE : 1" = 20'

REVISION	NUMBER	DATE	DESCRIPTION	BY

PREPARED UNDER THE SUPERVISION OF :

 REGISTERED CIVIL ENGINEER
 DATE: _____

DESIGNED: JN DRAWN: AN
 CHECKED: DH DATE: 2/24/2021
 ROAD NUMBER: 198/334



COUNTY OF EL DORADO
DEPARTMENT OF TRANSPORTATION

MERRYCHASE / COUNTRY CLUB DRIVE
IMPROVEMENTS

SHEET
SPD-5
38 OF 43
W.O. No. 72312

ORIGINAL SCALE IS IN INCHES
 Drawing name: Z:\Civil 3D Projects\72312 Merry Chase and Country Club Dr Ped-Bike Improvements\CADD Files\Sheets\SPD Sheets.dwg Layout Tab: SPD-6 Feb 24, 2021 - 2:55pm ANhuynh
 FOR REDUCED PLANS
 2
 1
 0

ROADSIDE SIGNS										
SHEET NO.	SIGN NO.	SIGN	CODE	SIZE	ONE POST (EA)	RELOCATE (EA)	REMOVE & SALVAGE	EXISTING LOCATION / NOTES	PROPOSED LOCATION (APPROXIMATELY)	
SPD-1	1	BIKE	R81 (CA)	12X8	1				'C Line' 10+05.00 - 15 RT	
		BEGIN	R81A (CA)	12X5						
	2	BIKE	R81 (CA)	12X8	1				'C Line' 10+15.00 - 33 RT	
		END	R81B (CA)	8X5						
	3	CROSSING	S1-1		36X36			1	SEE E SHEETS	'C Line' 19+79.00 - 35 LT
			W16-7P		24X12					
4	CROSSING	S1-1		36X36						
		W16-7P		24X12			1	'C Line' 20+09.24 - LT		
5	STOP	R1-1		30X30		1		'C Line' 19+81.04 - 26.16 RT	'C Line' 19+87.00 - 28 RT	
6	CROSSING	S1-1		36X36				SEE E SHEETS	'C Line' 19+90.00 - 17 RT	
		W16-7P		24X12						
SPD-2	7	PARKING				1		'C Line' 23+30.40 - 13.84 RT	'C Line' 22+90.00 - 22 RT	
	8	STOP AHEAD				1		'C Line' 24+00.93 - 16.26 RT	'C Line' 24+00.00 - 22 RT	
	9	PARKING				1		'C Line' 24+74.40 - 15.04 RT	'C Line' 23+60.00 - 22 RT	
	10	PARKING				1		'C Line' 24+26.42 - 17.29 RT	'C Line' 24+25.00 - 22 RT	
	11	PARKING				1		'C Line' 24+90.88 - 15.97 RT	'C Line' 24+75.00 - 22 RT	
	12	PARKING				1		'C Line' 25+34.40 - 12.94 RT	'C Line' 25+27.00 - 22 RT	
	13	STOP	R1-1		30X30		1	'C Line' 26+33.49 - 41.62 LT	'C Line' 26+67.00 - 22 RT	
	14	PARKING				1		'C Line' 26+32.15 - 56.13 LT	'C Line' 26+31.00 - 70 LT	
	15	STOP	R1-1		30X30		1	'C Line' 26+20.00 - 14.45 RT	'C Line' 26+15.00 - 22 RT	
	16	PARKING				1		'C Line' 26+51.97 - 13.40 RT	'C Line' 25+50.00 - 22 RT	
	17	CROSSING	S1-1		36X36			1		'C Line' 30+84.00 - 20.67 RT
			W16-7P		24X12					
	18	BIKE	R81 (CA)		12X8	1				'C Line' 31+00.00 - 21 RT
			END	R81B (CA)		8X5				
	19	BIKE	R81 (CA)		12X8	1				'C Line' 30+96.00 - 34 LT
			BEGIN	R81A (CA)		12X5				
	20						1		'C Line' 31+32.29 - 37.58 LT	
	21	CROSSING	S1-1		36X36				SEE E SHEETS	'C Line' 31+31.00 - 39 LT
W16-7P				24X12						
22	CROSSING	S1-1		36X36				SEE E SHEETS	'C Line' 31+39.00 - 17 RT	
		W16-7P		24X12						
SPD-3	23	STOP	R1-1			1		'M Line' 15+36.39 - 13.84 LT	'M Line' 15+35.00 - 18 LT	
	24	EXIT ONLY				1		'M Line' 15+84.02 - 26.04 LT	'M Line' 15+87.00 - 25 LT	
SPD-5	25	STOP	R1-1		1			REPLACE EXISTING POST		
TOTAL					5	13	4			

DETAIL No.	STATION	PAVEMENT MARKINGS		REMOVE PAVEMENT MARKINGS
		(SF) (WHITE)	(SF) (YELLOW)	(SF)
XW & LIMIT LINE	C' 19+32.85-RT TO 19+78-RT		223	23
	C' 19+78 TO 19+78		180	172
	C' 26+25 TO 26+42	12	98	98
	C' 26+42-LT TO 26+74.38-LT	12	60	25
	C' 31+31 TO 31+55	19	230	226
	M' 15+30-LT TO 15+76-RT		202	30
	M' 15+76 TO 15+86	20	240	244
	M' 15+86-LT TO 16+30	18	216	220
BIKE LANE SYMBOL & ARROWS	M' 22+79-LT TO 22+79-RT	36	72	106
	M' 35+04-LT TO 35+75-LT		118	42
STOP	C' 10+00-RT	14.5		
	C' 20+00-RT	14.5		
	C' 26+00-LT	14.5		
	C' 31+22-LT	14.5		
	C' 19+61-RT	22		22
	C' 26+10-LT	22		22
	C' 26+50-LT	22		22
	C' 26+85-LT	22		22
	C' 31+50-LT	22		22
	M' 15+50-LT	22		22
TYPE I (10' ARROW)	M' 15+55-RT	22		22
	M' 16+20-RT	22		22
	M' 16+40-RT	22		22
	M' 22+60-RT	22		22
	M' 23+20-RT	22		22
	M' 35+25-LT	22		22
TOTAL		495	1639	1450

DETAIL No.	STATION	THERMOPLASTIC TRAFFIC STRIPE (ENHANCED WET NIGHT VISIBILITY)	STRIPE REMOVAL
		6" WHITE (LF)	6" WHITE (LF)
39	C' 11+00-LT TO 19+80-LT	880	880
	C' 10+00-RT TO 18+65-RT	865	865
	C' 19+88-LT TO 26+32-LT	644	644
	C' 19+88-RT TO 26+32-LT	644	644
	C' 26+42-RT TO 30+75-RT	433	433
	C' 27+30-LT TO 31+30-LT	400	400
39A	C' 10+00-RT TO 11+00 RT	100	100
	C' 18+65-RT TO 19+15-RT	50	50
	C' 26+80-LT TO 27+30-LT	50	50
	C' 30+75-RT TO 31+31-RT	56	56
TOTAL	4122	4122	

90%

SIGNING AND STRIPING QUANTITIES
NO SCALE

REVISION	NUMBER	DATE	DESCRIPTION	BY

PREPARED UNDER THE SUPERVISION OF :

REGISTERED CIVIL ENGINEER

DATE: _____

DESIGNED: JN DRAWN: AN

CHECKED: DH DATE: 2/24/2021

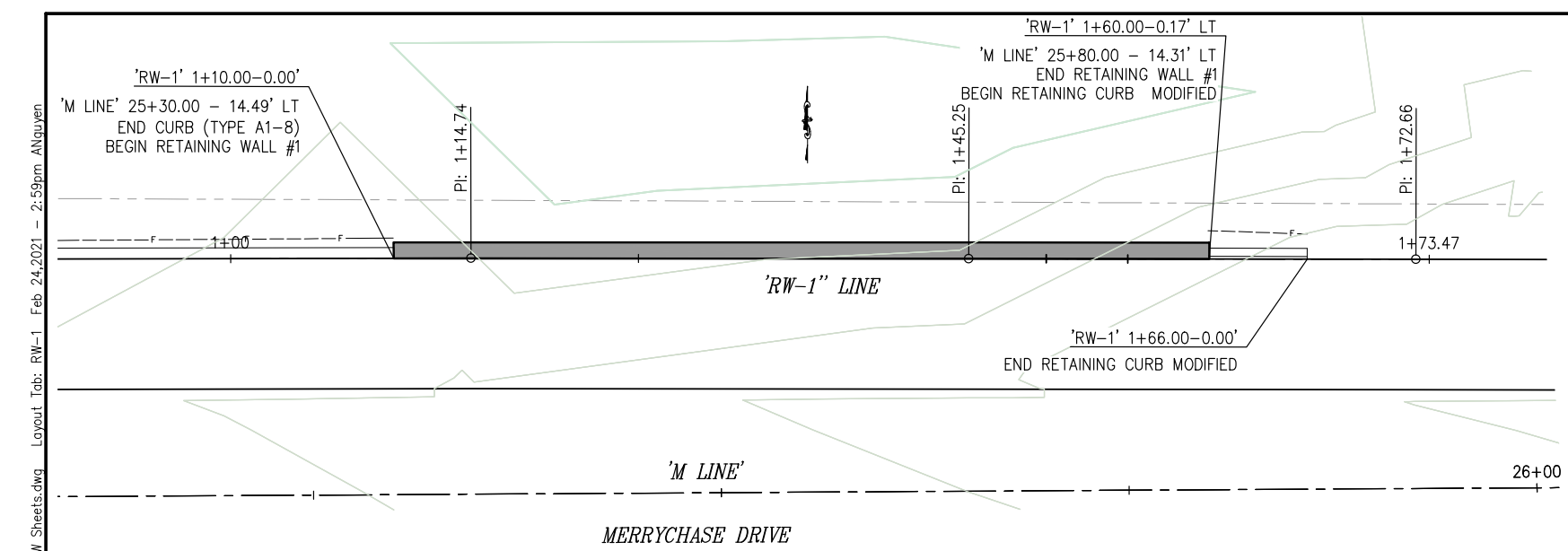
ROAD NUMBER: 198/334



COUNTY OF EL DORADO
DEPARTMENT OF TRANSPORTATION

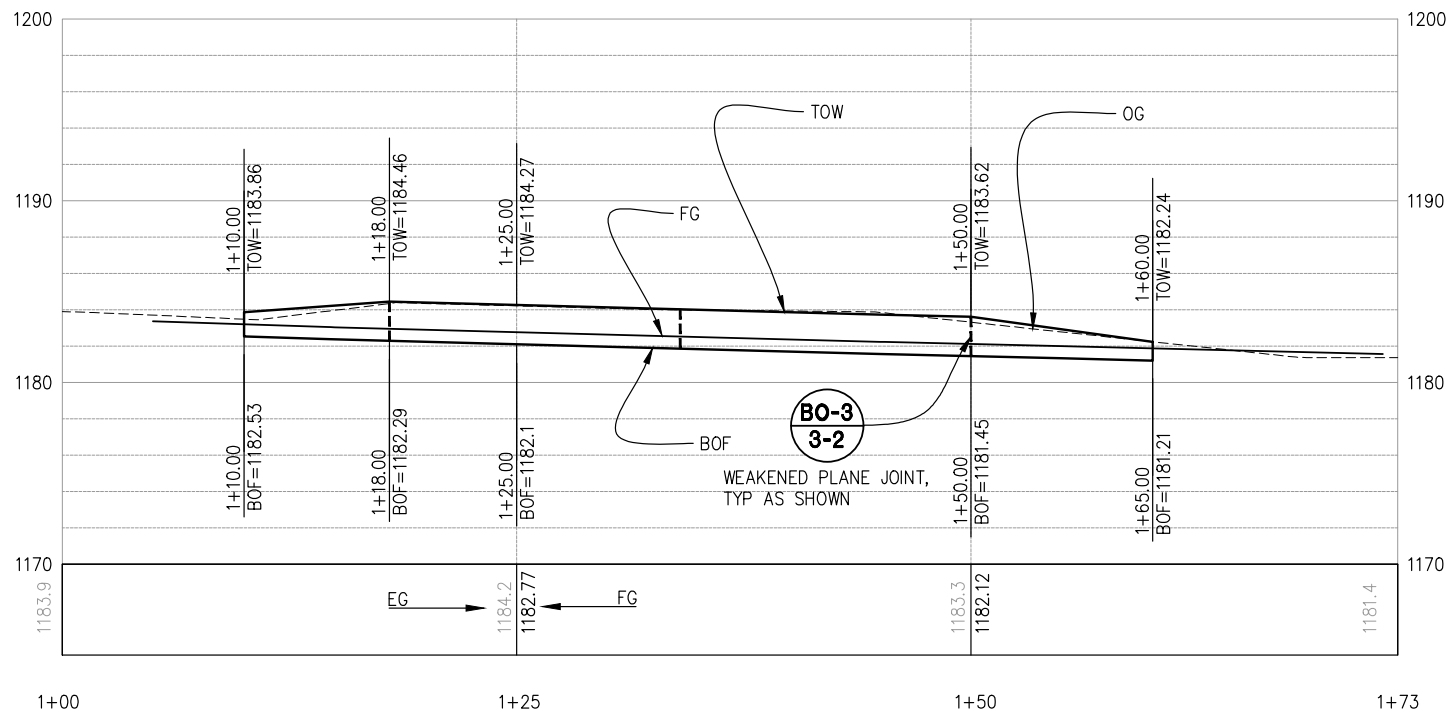
MERRYCHASE / COUNTRY CLUB DRIVE
IMPROVEMENTS

SHEET
SPD-6
39 OF 43
W.O. No. **72312**



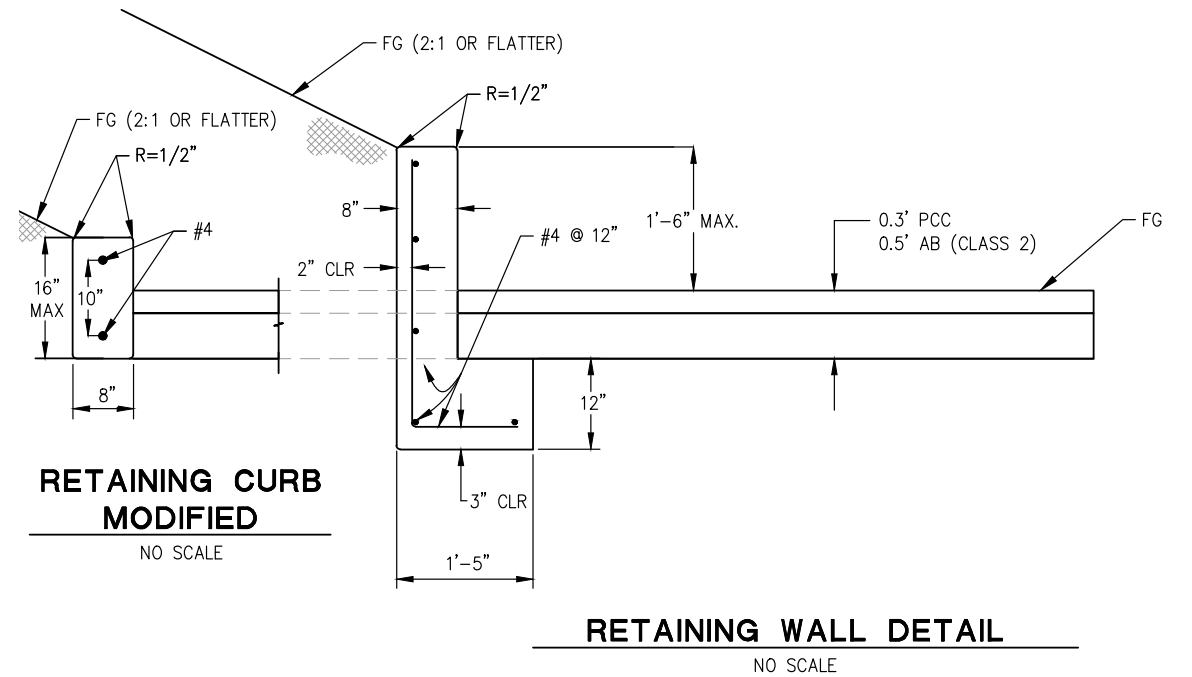
**RETAINING WALL #1 - 'RW-1' LINE
PLAN**

SCALE: 1"=5' H,V



**RETAINING WALL #1 - 'RW-1' LINE
PROFILE**

SCALE: 1"=5' H,V



RETAINING WALL DETAIL

NO SCALE

**RETAINING WALL PLAN AND PROFILE
RETAINING WALL #1
SCALE : AS SHOWN**

REVISION	NUMBER	DATE	DESCRIPTION	BY

PREPARED UNDER THE SUPERVISION OF :

REGISTERED CIVIL ENGINEER

DATE:

DESIGNED: JN DRAWN: AN

CHECKED: DH DATE: 2/24/2021

ROAD NUMBER: N/A

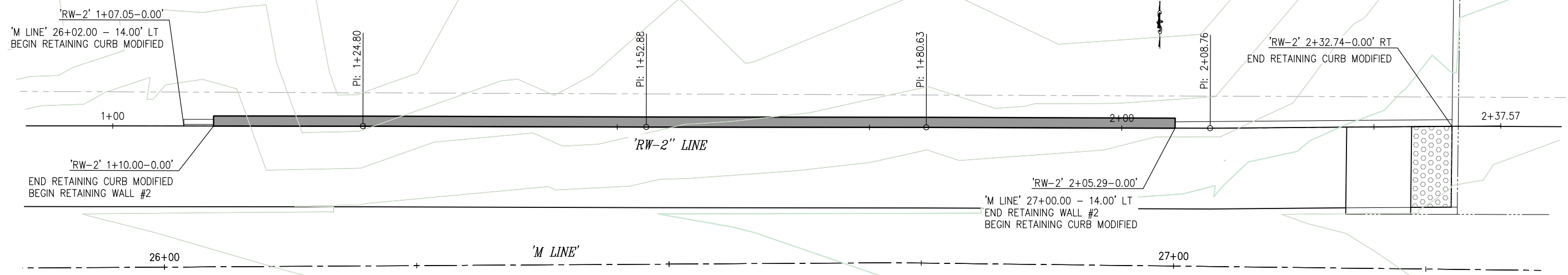


**COUNTY OF EL DORADO
DEPARTMENT OF TRANSPORTATION**

**MERRYCHASE / COUNTRY CLUB DRIVE
IMPROVEMENTS**

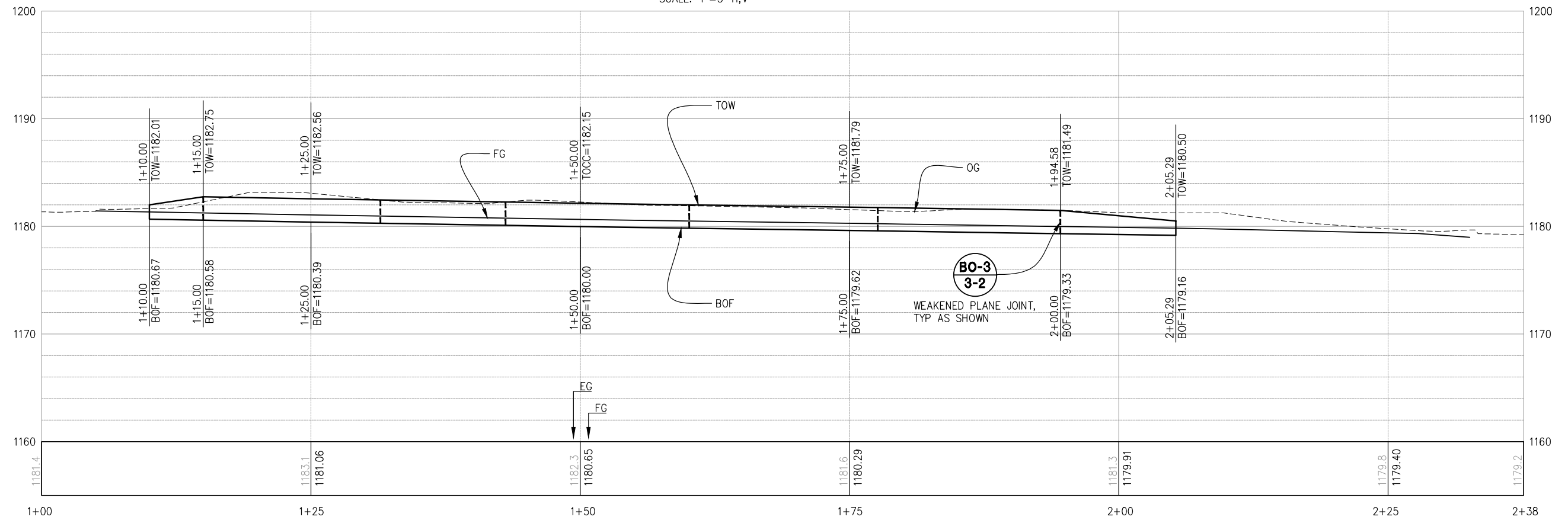
SHEET	RW-1
40 OF 43	
W.O. No.	72312

ORIGINAL SCALE IS IN INCHES
 Drawing name: Z:\Civil 3D Projects\72312 Merry Chase and Country Club Dr Ped-Bike Improvements\CADD Files\Sheets\RW Sheets.dwg Layout Tab: RW-2 Feb 24, 2021 3:01pm ANapuyen
 FOR REDUCED PLANS



RETAINING WALL #2 - 'RW-2' LINE PLAN

SCALE: 1"=5' H,V



RETAINING WALL #2 - 'RW-2' LINE PROFILE

SCALE: 1"=5' H,V

RETAINING WALL PLAN AND PROFILE
RETAINING WALL #2
 SCALE : AS SHOWN

REVISION	NUMBER	DATE	DESCRIPTION	BY

PREPARED UNDER THE SUPERVISION OF :

 REGISTERED CIVIL ENGINEER
 DATE: _____

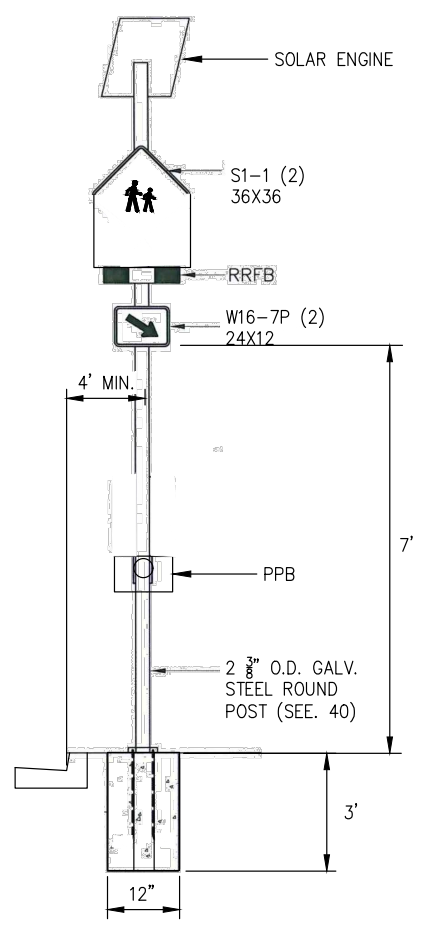
DESIGNED: JN DRAWN: AN
 CHECKED: DH DATE: 2/24/2021
 ROAD NUMBER: N/A


COUNTY OF EL DORADO
DEPARTMENT OF TRANSPORTATION

MERRYCHASE / COUNTRY CLUB DRIVE
IMPROVEMENTS

SHEET
RW-2
 41 OF 43
 W.O. No. **72312**

ORIGINAL SCALE IS IN INCHES
 Drawing name: Z:\Civil 3D Projects\72312 Merry Chase and Country Club Dr Ped-Bike Improvements\CADD Files\Sheets\E_Sheets.dwg Layout Tab: E-1 Feb 24, 2021 - 3:09pm Nguyen
 FOR REDUCED PLANS



TRAFFIC SIGNAL GENERAL NOTES:

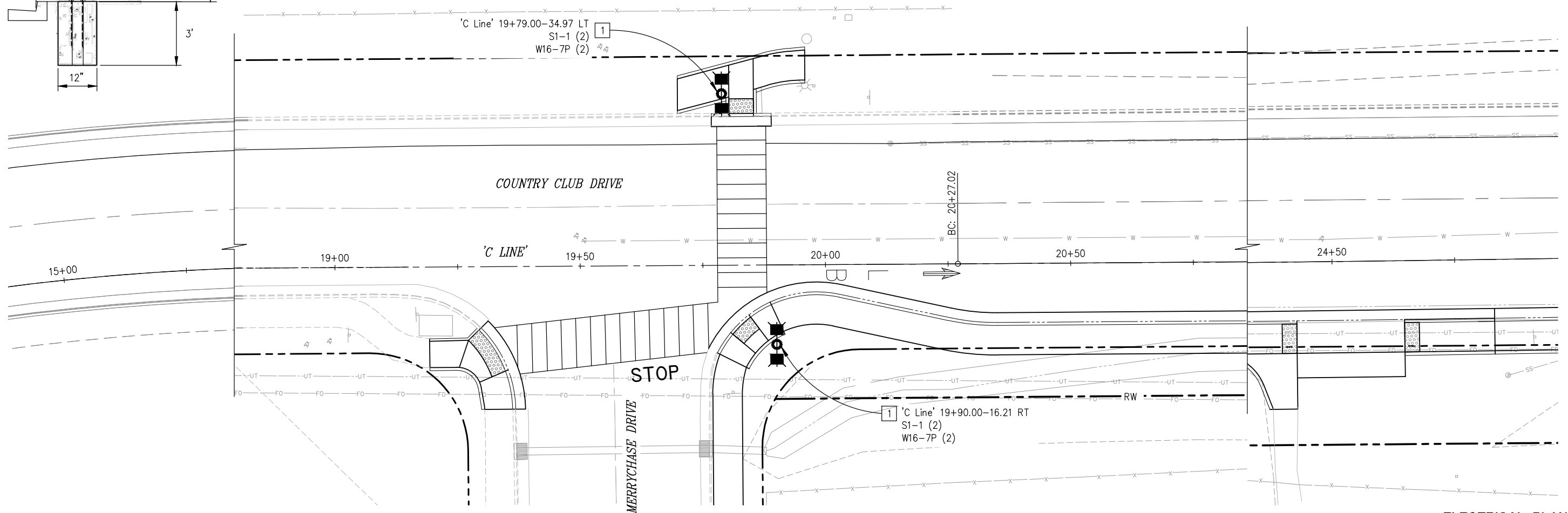
1. ALL WORK SHALL BE PERFORMED IN ACCORDANCE WITH THE 2018 EDITION OF THE STATE OF CALIFORNIA DEPARTMENT OF TRANSPORTATION STANDARD PLANS AND THE 2018 STANDARD SPECIFICATIONS, THE 2014 REVISION 5 OF THE CALIFORNIA MANUAL OF UNIFORM TRAFFIC CONTROL DEVICES, AND THE SPECIAL PROVISIONS.
2. LOCATIONS OF EXISTING UTILITIES SHOWN ON THIS PLAN ARE APPROXIMATE AND MAY NOT BE COMPLETE. CONTRACTOR SHALL VERIFY THE EXISTENCE, LOCATION AND DEPTH OF ALL UTILITIES PRIOR TO CONSTRUCTION. CONTRACTOR SHALL CONTACT ALL UTILITY COMPANIES / DISTRICTS AND UNDERGROUND SERVICE ALERT (USA, 800-642-2444) AT LEAST 48 HOURS PRIOR TO CONSTRUCTION.
3. THE LOCATION OF ALL PULL BOXES, CONDUITS AND OTHER EQUIPMENT SHOWN ON THE PLANS ARE APPROXIMATE AND MAY BE CHANGED TO SUIT FIELD CONDITIONS AS DIRECTED BY THE ENGINEER.
4. ALL SIGNAL POLES SHALL HAVE A MINIMUM OF 4.5' CLEARANCE FROM THE FACE OF CURB OR EDGE OF PAVEMENT UNLESS OTHERWISE NOTED ON THE PLANS.

ABBREVIATIONS:

RRFB RECTANGULAR RAPID FLASHING BEACON

CONSTRUCTION NOTES (FOR THIS SHEET ONLY):

- 1 SUPPLY AND INSTALL SOLAR ENGINE, TYPE 1-B POLE (14') WITH CARMANAH R920 RRFB, BI-DIRECTIONAL RRFB LIGHTING BARS (BACK TO BACK) WITH SIDE-EMITTING PEDESTRIAN CONFIRMATION LIGHT, RRFB CONTROL UNIT, APS ASSEMBLY AND SIGN PANELS. SEE DETAIL A ON THIS SHEET.



THIS SHEET ACCURATE FOR ELECTRICAL WORK ONLY

REVISION	NUMBER	DATE	DESCRIPTION	BY

PREPARED UNDER THE SUPERVISION OF :


REGISTERED CIVIL ENGINEER

DATE: _____

DESIGNED: JN DRAWN: AN

CHECKED: DH DATE: 2/24/2021

ROAD NUMBER: 198/334



COUNTY OF EL DORADO
DEPARTMENT OF TRANSPORTATION

MERRYCHASE / COUNTRY CLUB DRIVE
IMPROVEMENTS

SHEET	E-1
42 OF 43	
W.O. No.	72312

CONSTRUCTION NOTES (FOR THIS SHEET ONLY):

- 1 SUPPLY AND INSTALL SOLAR ENGINE, TYPE 1-B POLE (14') WITH CARMANAH R920 RRFB, BI-DIRECTIONAL RRFB LIGHTING BARS (BACK TO BACK) WITH SIDE-EMITTING PEDESTRIAN CONFIRMATION LIGHT, RRFB CONTROL UNIT, APS ASSEMBLY AND SIGN PANELS. INSTALL DUAL SIGN PANELS FACING BOTH DIRECTIONS OF TRAFFIC, SEE DETAIL A ON SHEET E-1.

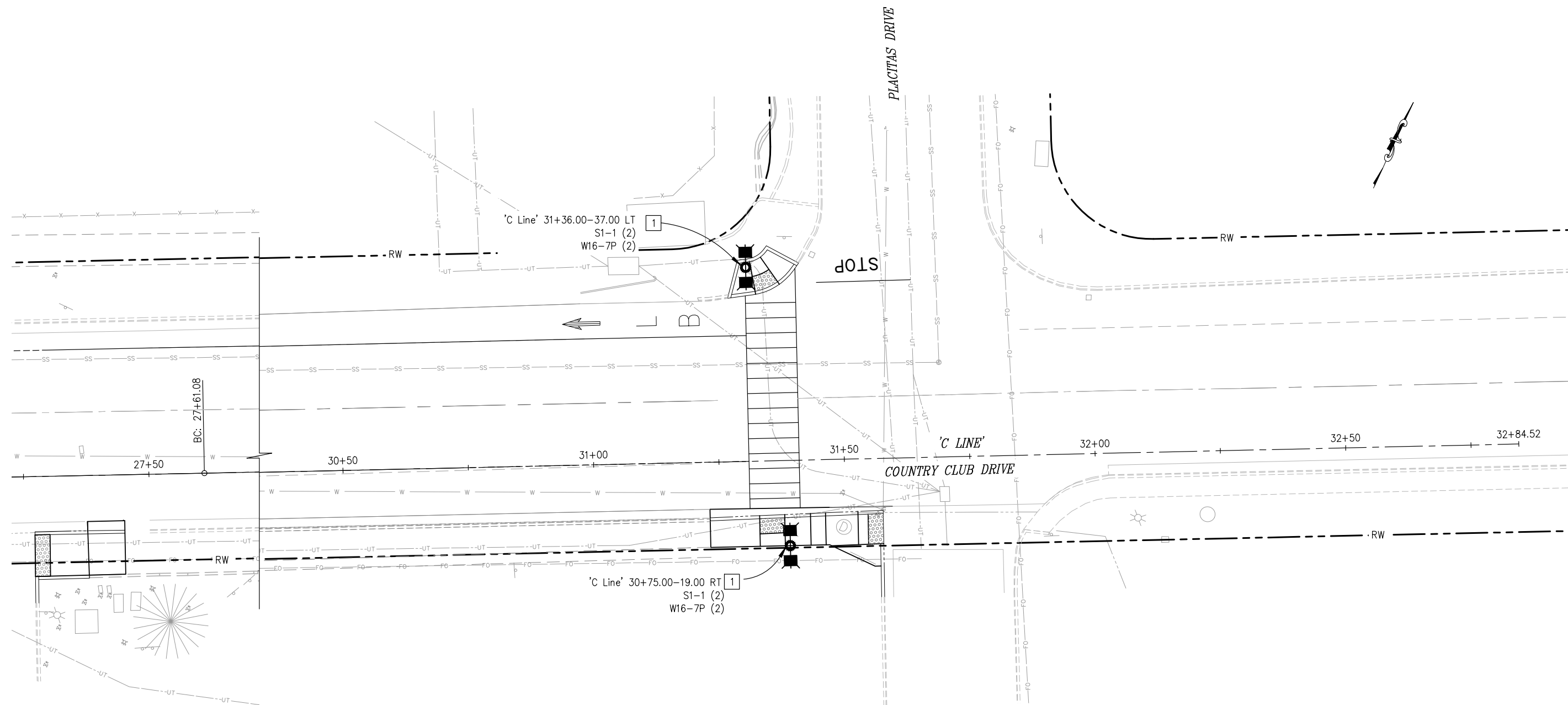
GENERAL NOTES:

- 1. SEE E-1 FOR ADDITIONAL DETAILS AND NOTES.

ABBREVIATIONS:

RRFB RECTANGULAR RAPID FLASHING BEACON

ORIGINAL SCALE IS IN INCHES
 Drawing name: Z:\Civil 3D Projects\72312 Merry Chase and Country Club Dr Ped-Bike Improvements\CADD Files\Sheets\E_Sheets.dwg Layout Tab: E-2 Feb 24 2021 3:11pm Nguyen
 FOR REDUCED PLANS
 2
 1
 0



THIS SHEET ACCURATE FOR ELECTRICAL WORK ONLY

REVISION	NUMBER	DATE	DESCRIPTION	BY

90%

PREPARED UNDER THE SUPERVISION OF : REGISTERED CIVIL ENGINEER DATE:	DESIGNED: JN CHECKED: DH ROAD NUMBER: 198/334	DRAWN: AN DATE: 2/24/2021	 <p>COUNTY OF EL DORADO DEPARTMENT OF TRANSPORTATION</p>	<p>MERRYCHASE / COUNTRY CLUB DRIVE IMPROVEMENTS</p>	SHEET E-2 43 OF 43 W.O. No. 72312
---	---	------------------------------	--	--	--

**ELECTRICAL PLAN
SCALE : 1" = 10'**