

INDEX OF PLANS

SHEET No.	DESCRIPTION
1	TITLE SHEET
2	TYPICAL CROSS SECTIONS
3-4	LAYOUT
5	PROFILE
6-8	CONSTRUCTION DETAILS
9-10	EROSION CONTROL PLAN
11	EROSION CONTROL LEGEND
12-15	DRAINAGE PLAN AND DETAILS
16	CONSTRUCTION AREA SIGNS
17-18	STAGE CONSTRUCTION AND TRAFFIC HANDLING PLAN
19	STAGE CONSTRUCTION
20	DETOUR PLAN
21-22	PAVEMENT DELINEATION AND SIGN PLAN
23	PAVEMENT DELINEATION DETAILS
24-27	SUMMARY OF QUANTITIES
28-29	RETAINING WALL PLAN

STATE OF CALIFORNIA
DEPARTMENT OF TRANSPORTATION

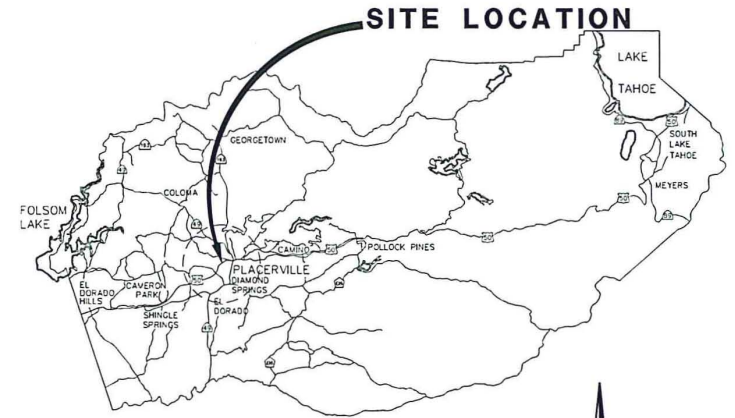
PROJECT PLANS FOR CONSTRUCTION OF
U.S. 50 / MISSOURI FLAT
ROAD-PHASE 1B.2 BIKE PATH
FEDERAL PROJECT NUMBER CMLN 5925(141)

IN EL DORADO COUNTY
NEAR PLACERVILLE
ON US 50 FROM 0.5 MILE EAST
TO 0.75 MILE EAST OF THE US 50
MISSOURI FLAT ROAD OVERCROSSING

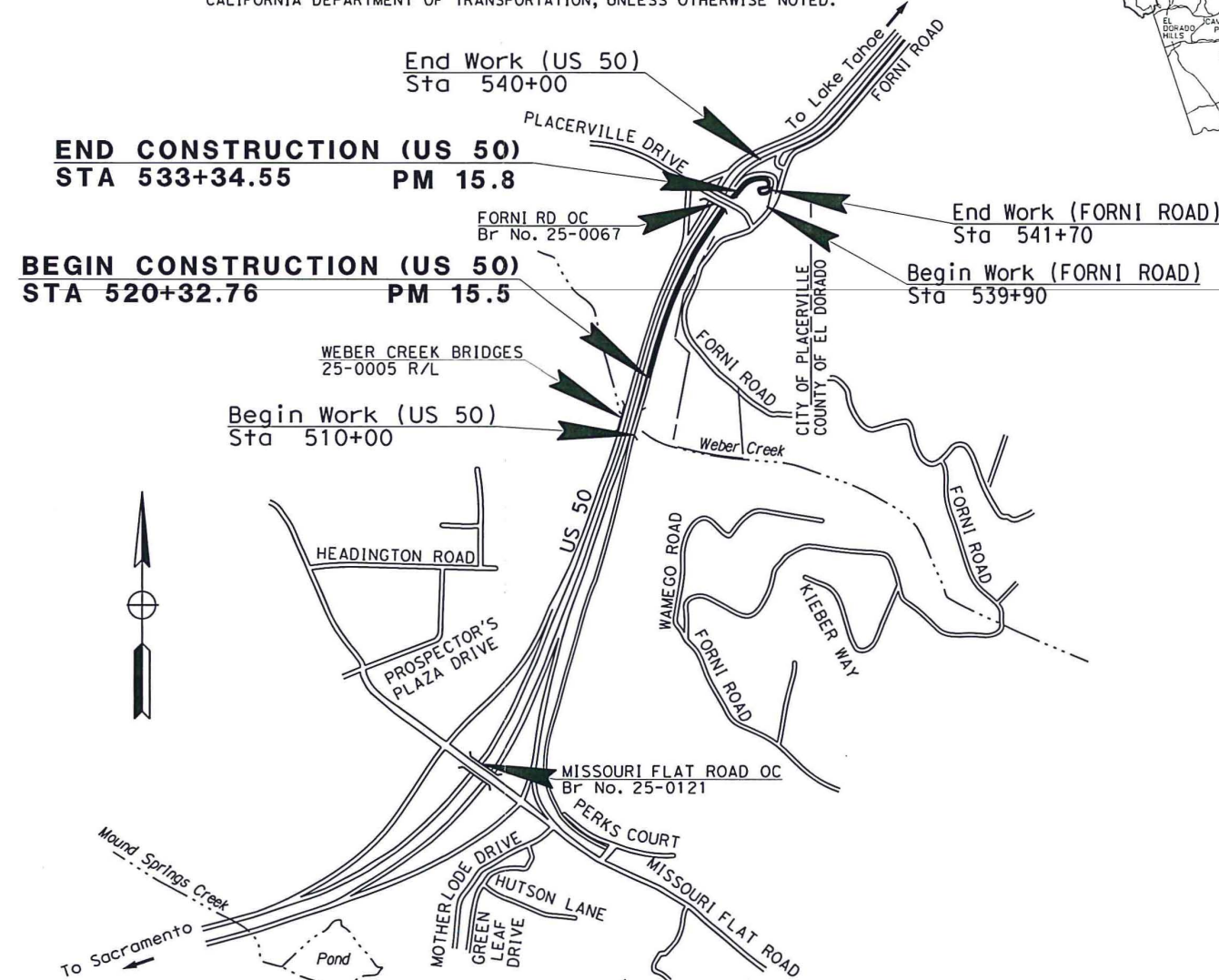
TO BE SUPPLEMENTED WITH STANDARD PLANS AND SPECIFICATIONS DATED 2010,
INCLUDING THE AMENDMENTS TO THE 2010 STANDARD SPECIFICATIONS, OF THE
CALIFORNIA DEPARTMENT OF TRANSPORTATION, UNLESS OTHERWISE NOTED.

Dist	COUNTY	ROUTE	POST MILES TOTAL PROJECT	SHEET No.	TOTAL SHEETS
03	ED	50	15.5/15.8	1	29

EL DORADO COUNTY
2850 FAIRLANE COURT
PLACERVILLE, CA 95667
QUINCY ENGINEERING, INC
1017 COBBLEROCK DRIVE SUITE 100
RANCHO CORDOVA, CA 95670



VICINITY MAP
COUNTY OF EL DORADO



Garrett McLaughlin 5/29/15
PROJECT MANAGER DATE
REGISTERED CIVIL ENGINEER



May 29, 2015
PLANS APPROVAL DATE

THE STATE OF CALIFORNIA OR ITS OFFICERS OR AGENTS SHALL NOT BE RESPONSIBLE FOR THE ACCURACY OR COMPLETENESS OF SCANNED COPIES OF THIS PLAN SHEET.

CONTRACTOR'S LICENSE CLASSIFICATION: BIDDERS SHALL BE PROPERLY LICENSED TO PERFORM THE WORK PURSUANT TO THE STATE CONTRACTOR'S LICENSE ACT (BUSINESS AND PROFESSIONS CODE SECTION 7000 ET SEQ.) AND SHALL POSSESS A CLASS A LICENSE OR EQUIVALENT COMBINATION OF CLASSES REQUIRED BY THE CATEGORIES AND TYPE OF WORK INCLUDED IN THE CONTRACT DOCUMENTS AND PLANS. FAILURE OF THE SUCCESSFUL BIDDER TO OBTAIN PROPER AND ADEQUATE LICENSING FOR AN AWARD OF THE CONTRACT SHALL CONSTITUTE A FAILURE TO EXECUTE THE CONTRACT, AND FORFEITURE AS PROVIDED UNDER THAT SECTION.

COUNTY CIP NO.	71359
COUNTY PW NO.	16-31149
COUNTY P&C NO.	034-C1799
CALTRANS PROJECT ID	0314-NMC0974

APPROVED AND ADOPTED BY:
CHAIR, EL DORADO COUNTY BOARD OF SUPERVISORS DATE
APPROVED BY: *[Signature]* 11/30/16
ROGER NIELLO DATE
INTERIM DIRECTOR, COMMUNITY DEVELOPMENT AGENCY
APPROVED BY: *[Signature]* 11/30/16 DATE
JOHN KARLING P.E. NO. 52426 DATE
DEPUTY DIRECTOR OF ENGINEERING

COUNTY OF EL DORADO
COMMUNITY DEVELOPMENT AGENCY
TRANSPORTATION DIVISION
2850 FAIRLANE COURT
PLACERVILLE, CA 95667
(530) 621-5900

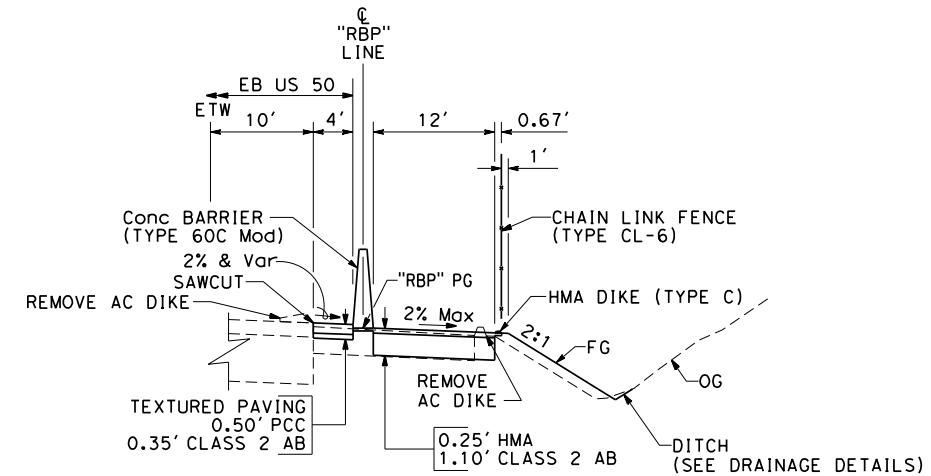


REVISIONS		
MARK	DATE	BY

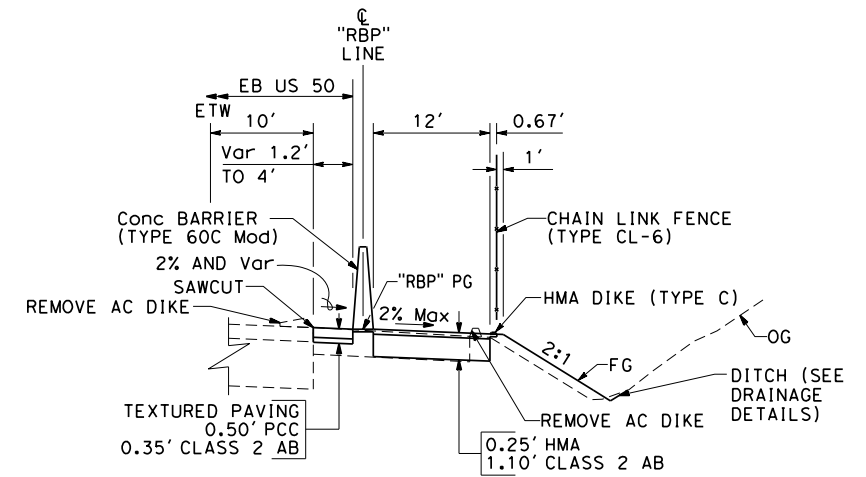
BOARD OF SUPERVISORS	
JOHN HIDAHL	I
SHIVA FRENTZEN	II
BRIAN VEERKAMP	III
MICHAEL RANALLI	IV
SUE NOVASEL	V

U.S. 50 / MISSOURI FLAT
ROAD-PHASE 1B.2
BIKE PATH
TITLE SHEET

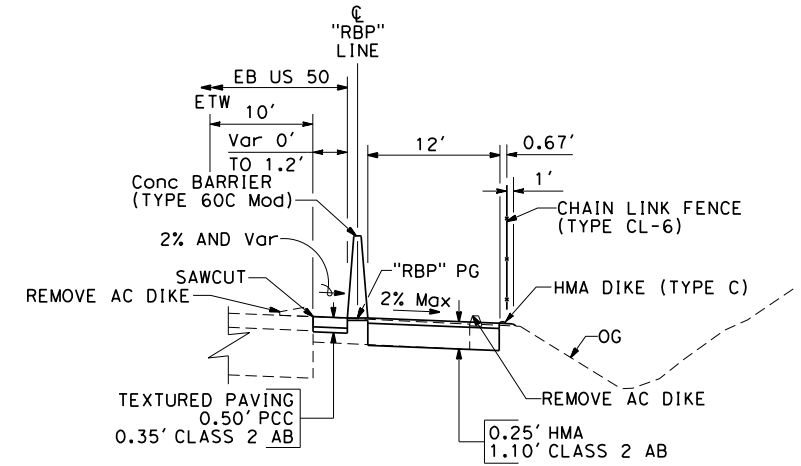
STATE OF CALIFORNIA - DEPARTMENT OF TRANSPORTATION Eb Gibbons	CONSULTANT FUNCTIONAL SUPERVISOR	BENJAMIN GRIMM	REVISOR	DATE	XX/XX/XX
	CHECKED BY	JOHN QUINCY	DESIGNED BY	DATE	XX/XX/XX
	DESIGNED BY	GARRETT MCLAUGHLIN	DESIGNED BY	DATE	XX/XX/XX
	CHECKED BY	GARRETT MCLAUGHLIN	DESIGNED BY	DATE	XX/XX/XX



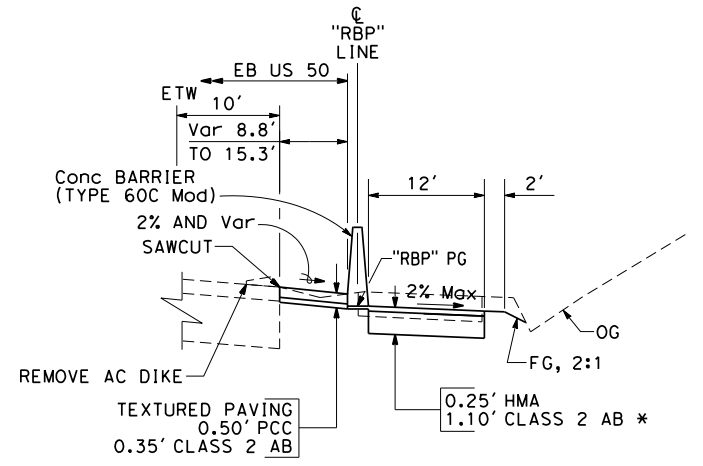
BIKE PATH
STA "RBP" 523+55.02 TO 525+80.15



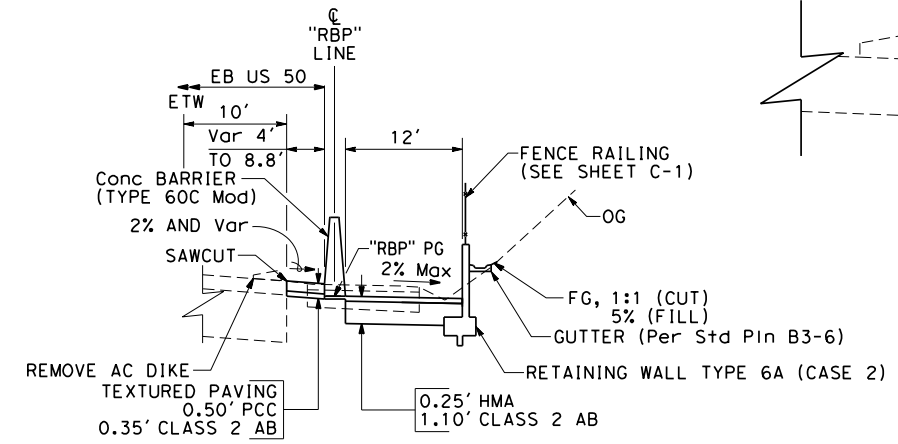
BIKE PATH
STA "RBP" 522+10.82 TO 523+55.02



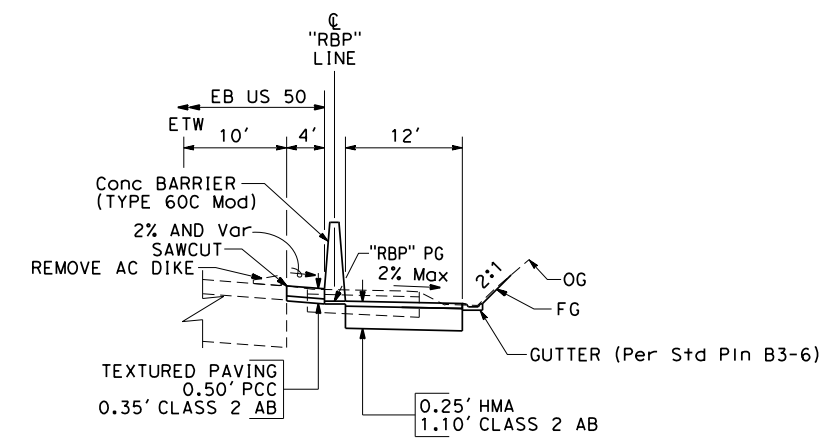
BIKE PATH
STA "RBP" 520+32.76 TO 522+10.82



BIKE PATH
STA "RBP" 531+12.19 TO 532+83.58

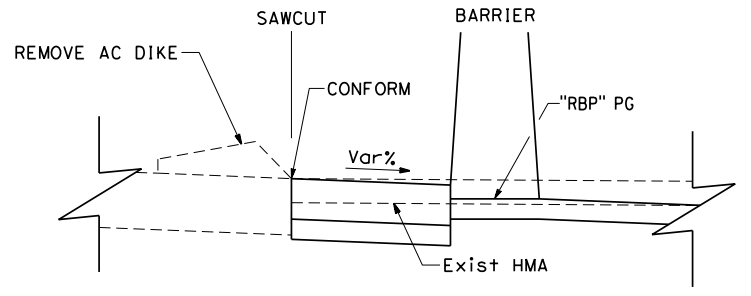


BIKE PATH
STA "RBP" 527+45.00 TO 531+12.19

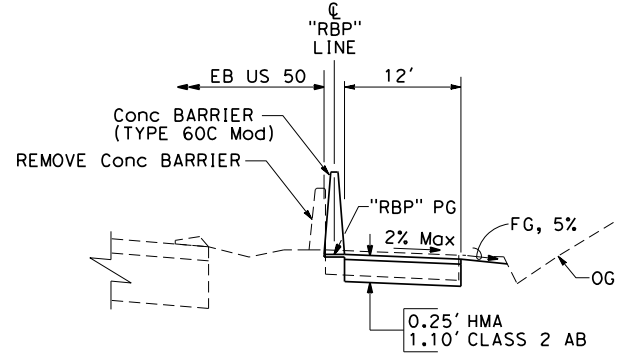


BIKE PATH
STA "RBP" 525+80.15 TO 527+45.00

- NOTES:**
1. DIMENSIONS OF THE PAVEMENT STRUCTURES (STRUCTURAL SECTIONS) ARE SUBJECT TO TOLERANCES SPECIFIED IN THE STANDARD SPECIFICATIONS.
 2. FOR LOCATION OF SAWCUT SEE SAWCUT DETAIL.
 3. * REDUCED CLASS 2 AB SECTION FROM STA "RBP" 531+12.19 TO 531+54.64 (SEE CONSTRUCTION DETAILS C-2).



SAWCUT DETAIL



BIKE PATH
STA "RBP" 532+83.58 TO 533+34.55

TYPICAL CROSS SECTIONS
NO SCALE
X-1

Dist	COUNTY	ROUTE	POST MILES TOTAL PROJECT	SHEET No.	TOTAL SHEETS
03	ED	50	15.5/15.8	2	29

Garrett McLaughlin 05/29/15
REGISTERED CIVIL ENGINEER DATE

May 29, 2015
PLANS APPROVAL DATE

THE STATE OF CALIFORNIA OR ITS OFFICERS OR AGENTS SHALL NOT BE RESPONSIBLE FOR THE ACCURACY OR COMPLETENESS OF SCANNED COPIES OF THIS PLAN SHEET.

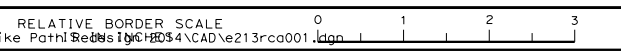
QUINCY ENGINEERING, INC
11017 COBBLEROCK DRIVE SUITE 100
RANCHO CORDOVA, CA 95670

EL DORADO COUNTY
2850 FAIRLANE COURT
PLACERVILLE, CA 95667

Garrett McLaughlin
REGISTERED PROFESSIONAL ENGINEER
No. C67687
Exp. 06/30/17
CIVIL
STATE OF CALIFORNIA

BORDER LAST REVISED 7/2/2010

USERNAME => garrettm
DGN FILE => S:\client\El Dorado\E01-501-01-MOFLAT PS&E Phase 1B\Phase 1B_2_Bike Path\Revisions\CH03\CAD\e213rca001.dgn



DATE PLOTTED => 3/14/2016
TIME PLOTTED => 9:59:34 AM

NOTES:

1. FOR COMPLETE RIGHT OF WAY AND ACCURATE ACCESS DATA, SEE RIGHT OF WAY RECORD MAPS AT THE CALTRANS DISTRICT OR COUNTY OFFICE.
2. SEE DRAINAGE PLANS FOR HMA OVERSIDE DRAIN DETAILS.

HORIZONTAL DATUM: ZONE 2 NAD 83			VERTICAL DATUM: NGVD 29			
No.	NORTHING	EASTING	ELEV	DESCRIPTION	STATION	OFFSET
14	2026595.968	6894217.377	1721.0135	SPIKE	"RBP" 529+51.61	162.21' Lt
15	2026412.772	6894327.134	1732.8306	SPIKE	"RBP" 529+13.99	47.60' Rt
16	2026514.530	6894559.927	1768.6736	SPIKE	"RBP" 531+86.52	94.72' Rt
18	2026541.042	6894113.853	1720.9546	MAG	"RBP" 528+55.73	193.53' Lt
82	2025832.303	6893962.154	1664.6916	SPIKE	"RBP" 522+01.65	15.76' Rt

CURVE DATA						
No. ○	R	Δ	T	L	CHORD Brg	CHORD L
1	889.71'	2° 11' 42"	17.04'	34.08'	N 17° 33' 51" E	34.08'
2	1134.60'	27° 36' 49"	278.83'	546.82'	N 32° 28' 06" E	541.54'
3	1179.59'	49° 44' 27"	546.81'	1024.05'	N 41° 20' 13" E	992.19'

Dist	COUNTY	ROUTE	POST MILES TOTAL PROJECT	SHEET No.	TOTAL SHEETS
03	ED	50	15.5/15.8	3	29

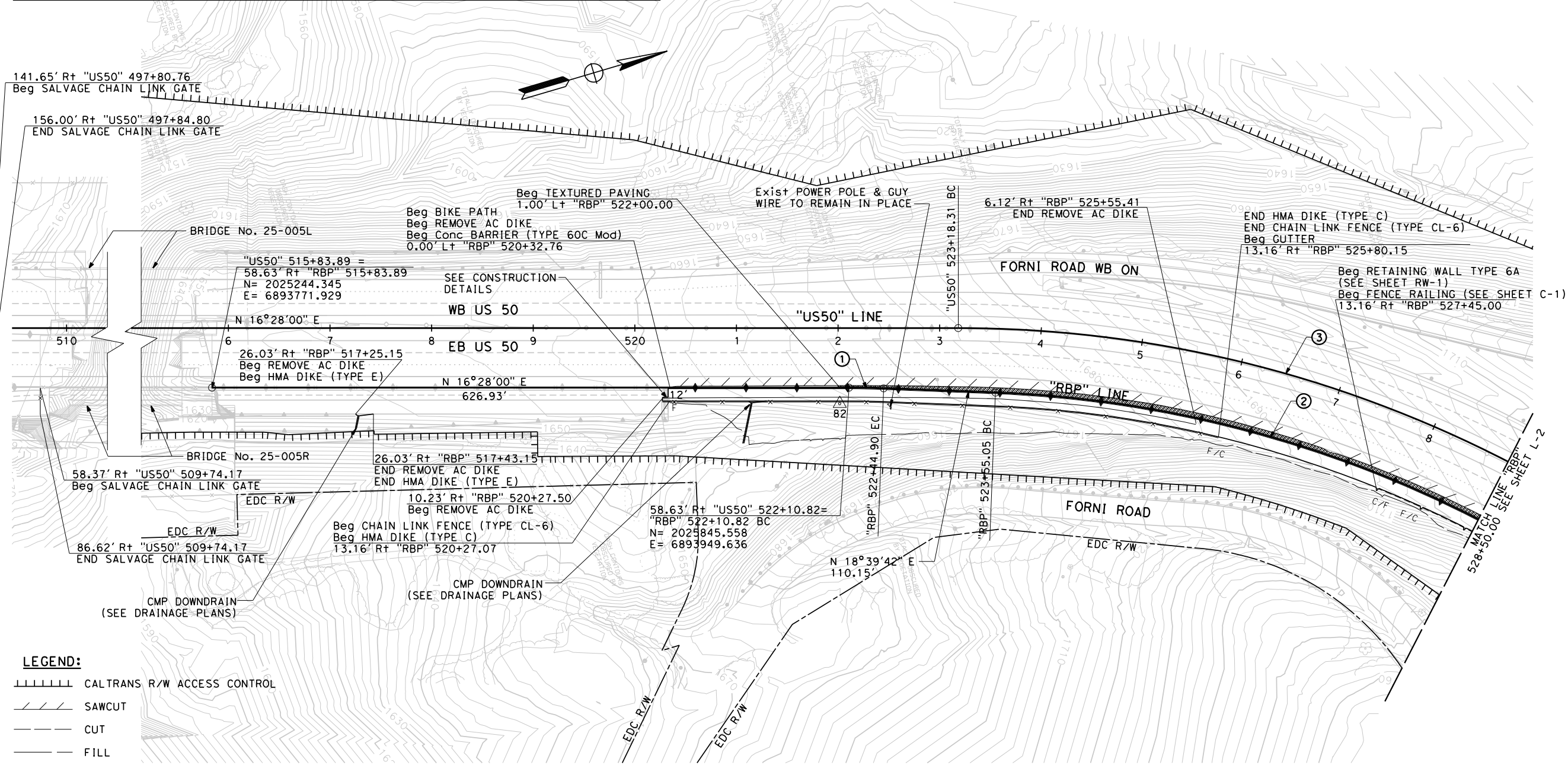
Garrett McLaughlin 05/29/15
 REGISTERED CIVIL ENGINEER DATE

May 29, 2015
 PLANS APPROVAL DATE

THE STATE OF CALIFORNIA OR ITS OFFICERS OR AGENTS SHALL NOT BE RESPONSIBLE FOR THE ACCURACY OR COMPLETENESS OF SCANNED COPIES OF THIS PLAN SHEET.

QUINCY ENGINEERING, INC
 11017 COBBLEROCK DRIVE SUITE 100
 RANCHO CORDOVA, CA 95670

EL DORADO COUNTY
 2850 FAIRLANE COURT
 PLACERVILLE, CA 95667



- LEGEND:**
- ||||| CALTRANS R/W ACCESS CONTROL
 - /// SAWCUT
 - - - CUT
 - FILL
 - C/F CUT FILL TRANSITION
 - △ SURVEY CONTROL
 - ▨ TEXTURED PAVING

LAYOUT
 SCALE: 1"=50'
L-1

STATE OF CALIFORNIA - DEPARTMENT OF TRANSPORTATION
 CONSULTANT FUNCTIONAL SUPERVISOR JOHN QUINCY
 CHECKED BY BENJAMIN GRIMM
 DESIGNED BY GARRETT MCLAUGHLIN
 REVISIONS: XX/XX/XX, XX/XX/XX, XX/XX/XX

LAST REVISION DATE PLOTTED => 3/14/2016 TIME PLOTTED => 9:59:37 AM

XX	XX	XX	XX	XX	XX	XX	XX	XX	XX	XX
REVISOR	DATE	REVISOR	DATE	REVISOR	DATE	REVISOR	DATE	REVISOR	DATE	REVISOR
BENJAMIN GRIMM		GARRETT MCLAUGHLIN								
CHECKED BY	DESIGNED BY	CHECKED BY	DESIGNED BY	CHECKED BY	DESIGNED BY	CHECKED BY	DESIGNED BY	CHECKED BY	DESIGNED BY	CHECKED BY
JOHN QUINCY										
CONSULTANT FUNCTIONAL SUPERVISOR										
STATE OF CALIFORNIA - DEPARTMENT OF TRANSPORTATION										

NOTES:

1. FOR COMPLETE RIGHT OF WAY AND ACCURATE ACCESS DATA, SEE RIGHT OF WAY RECORD MAPS AT THE CALTRANS DISTRICT OR COUNTY OFFICE.

No.	R	Δ	T	L	CHORD Brg	CHORD L
3	1179.59'	49° 44' 27"	546.81'	1024.05'	N 41° 20' 13" E	992.19'
4	890.00'	24° 10' 12"	190.56'	375.44'	N 58° 21' 37" E	372.67'
5	144.67'	78° 05' 45"	117.35'	197.19'	S 70° 38' 26" E	182.28'
6	56.11'	104° 29' 38"	72.46'	102.33'	S 20° 39' 15" W	88.73'
7	54.13'	32° 24' 30"	15.73'	30.62'	N 87° 07' 38" W	30.21'
8	35.10'	226° 00' 37"	82.68'	138.48'	S 03° 55' 42" E	64.63'
9	377.72'	13° 09' 34"	43.57'	86.75'	N 56° 29' 13" E	86.56'
10	35.10'	57° 49' 23"	19.39'	35.42'	N 78° 49' 08" E	33.94'

Dist	COUNTY	ROUTE	POST MILES TOTAL PROJECT	SHEET No.	TOTAL SHEETS
03	ED	50	15.5/15.8	4	29

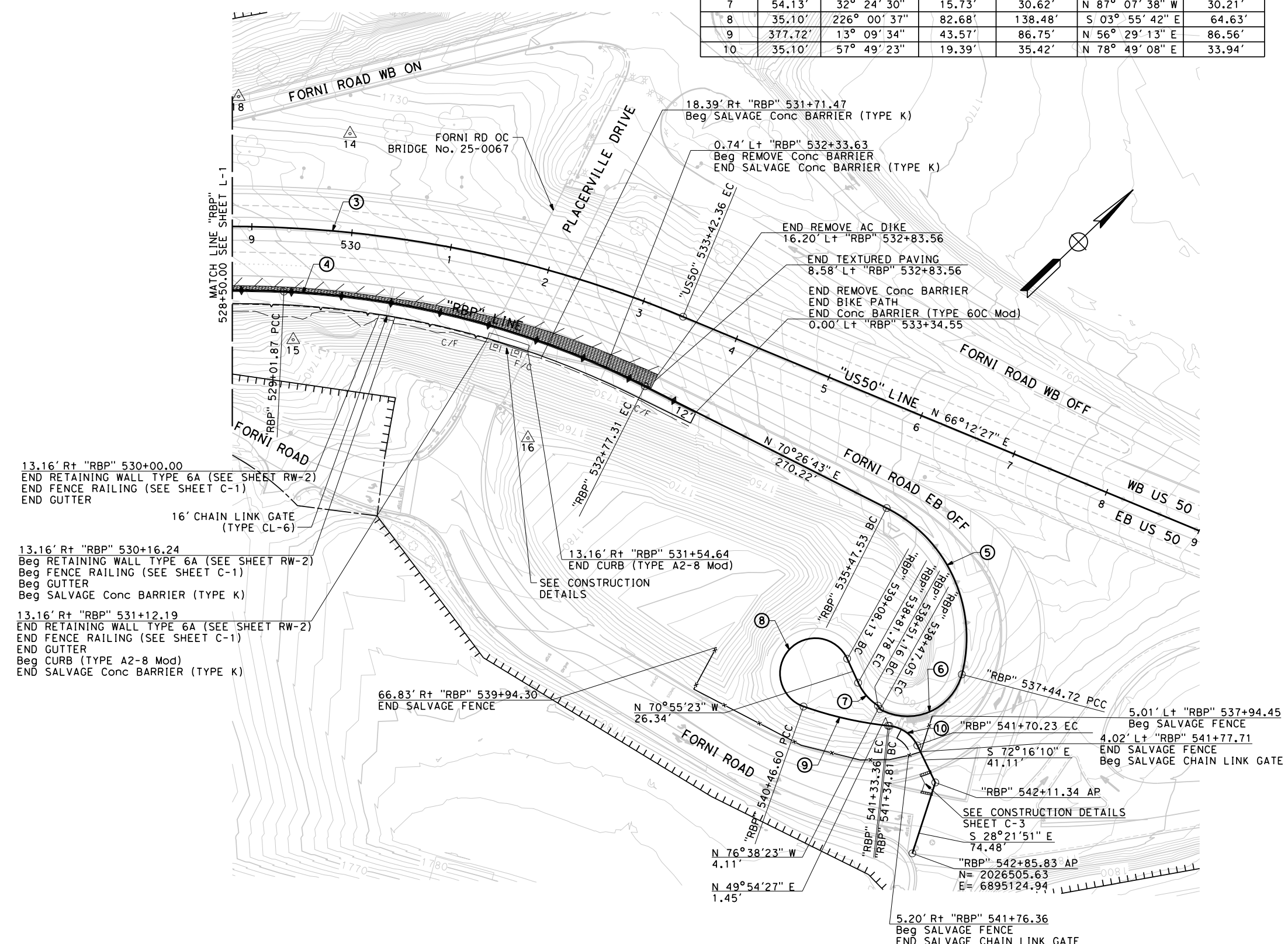
Garrett McLaughlin 05/29/15
 REGISTERED CIVIL ENGINEER DATE

May 29, 2015
 PLANS APPROVAL DATE

THE STATE OF CALIFORNIA OR ITS OFFICERS OR AGENTS SHALL NOT BE RESPONSIBLE FOR THE ACCURACY OR COMPLETENESS OF SCANNED COPIES OF THIS PLAN SHEET.

QUINCY ENGINEERING, INC
 11017 COBBLEROCK DRIVE SUITE 100
 RANCHO CORDOVA, CA 95670

EL DORADO COUNTY
 2850 FAIRLANE COURT
 PLACERVILLE, CA 95667

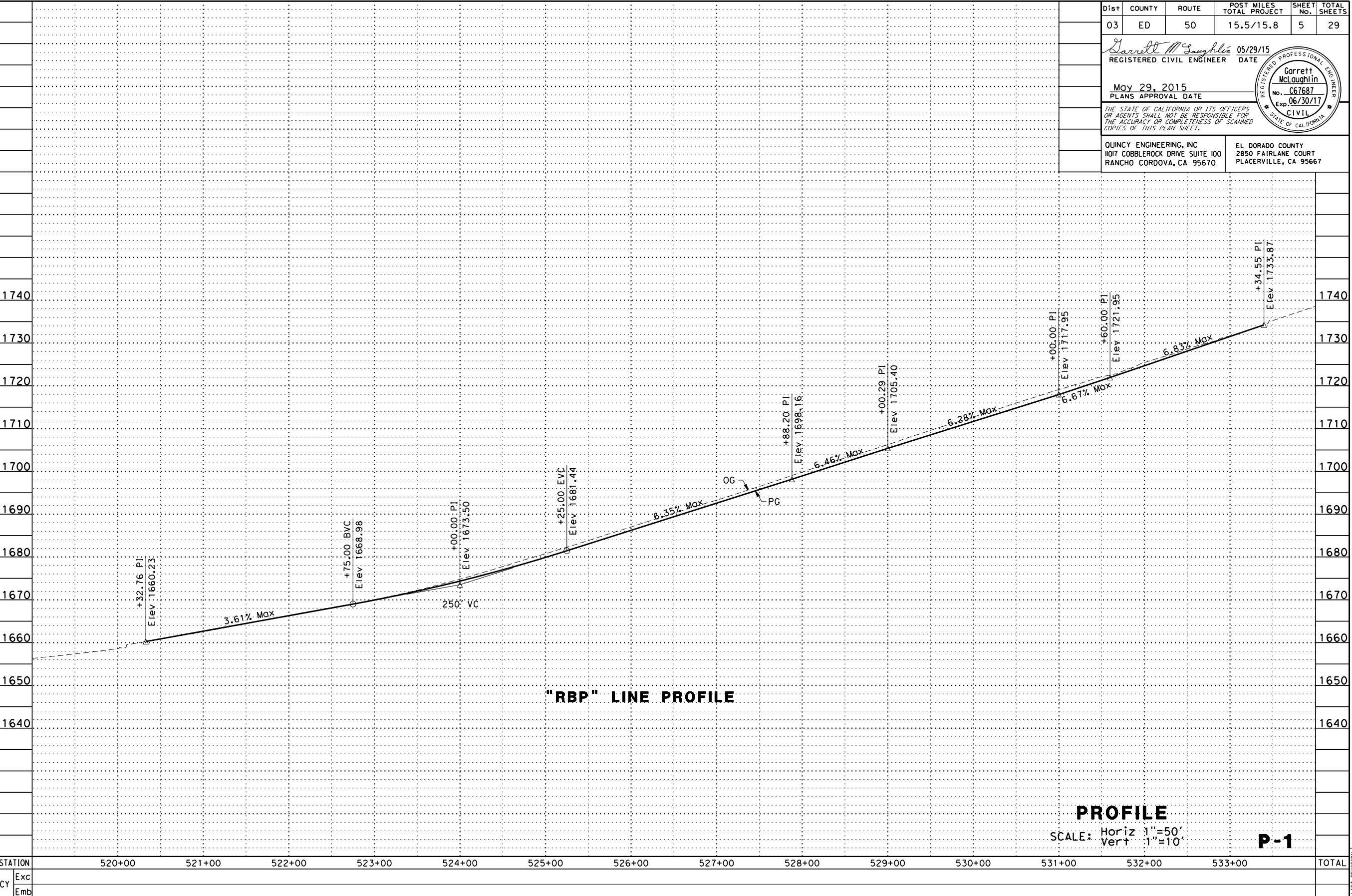


LAYOUT

SCALE: 1"=50'

L-2

STATE OF CALIFORNIA - DEPARTMENT OF TRANSPORTATION Caltrans	CONSULTANT FUNCTIONAL SUPERVISOR		CALCULATED-DESIGNED BY		BENJAMIN GRIMM	REVISOR	XX	XX	XX
	JOHN QUINCY		CHECKED BY				GARRETT MCLAUGHLIN	DATE REVISED	XX/XX/XX
	Exc								
	Emb								



PROFILE
SCALE: Horiz 1"=50'
Vert 1"=10'

P-1

Dist	COUNTY	ROUTE	POST MILES TOTAL PROJECT	SHEET No.	TOTAL SHEETS
03	ED	50	15.5/15.8	5	29
Garrett McLaughlin			05/29/15		
REGISTERED CIVIL ENGINEER			DATE		
May 29, 2015			PLANS APPROVAL DATE		
Garrett McLaughlin			REGISTERED PROFESSIONAL ENGINEER		
No. C67687			Exp. 06/30/17		
CIVIL			STATE OF CALIFORNIA		
QUINCY ENGINEERING, INC 11017 COBBLEROCK DRIVE SUITE 100 RANCHO CORDOVA, CA 95670			EL DORADO COUNTY 2850 FAIRLANE COURT PLACERVILLE, CA 95667		

STATE OF CALIFORNIA - DEPARTMENT OF TRANSPORTATION	CONSULTANT SUPERVISOR	JOHN QUINCY	CHECKED BY		DESIGNED BY		REVISOR		DATE		BY	
	FUNCTIONAL SUPERVISOR											
Gibsons	DESIGNED BY	BENJAMIN GRIMM	CHECKED BY		DESIGNED BY		REVISOR		DATE		BY	
	FUNCTIONAL SUPERVISOR											

BORDER LAST REVISED 7/2/2010

USERNAME => garrettm
 DGN FILE => S:\client\El Dorado\01-501-01-MOFLAT PS&E Phase 1B\Phase 1B_2_1.dgn
 RELATIVE BORDER SCALE 0 1 2 3

Dist	COUNTY	ROUTE	POST MILES TOTAL PROJECT	SHEET No.	TOTAL SHEETS
03	ED	50	15.5/15.8	6	29

Garrett McLaughlin 05/29/15
 REGISTERED CIVIL ENGINEER DATE

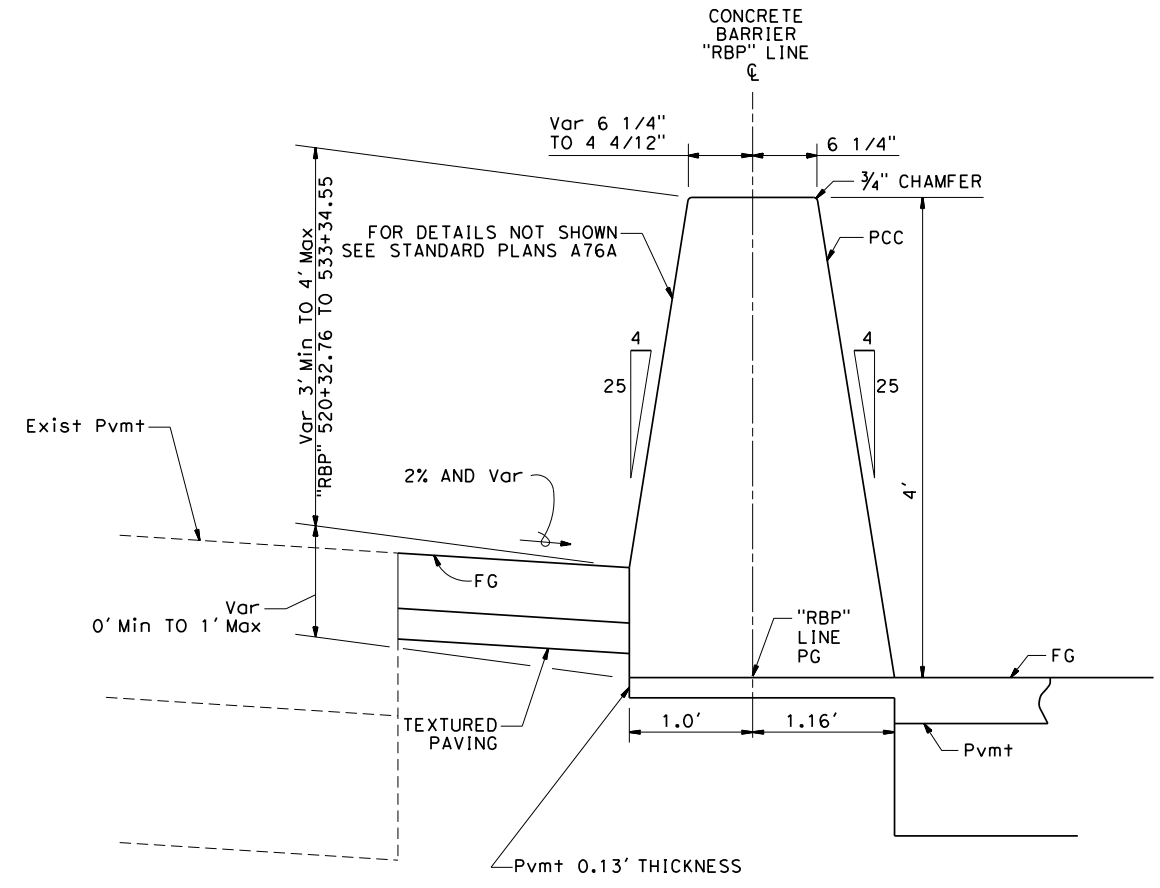
May 29, 2015
 PLANS APPROVAL DATE

Garrett McLaughlin
 No. C67687
 Exp. 06/30/17
 CIVIL

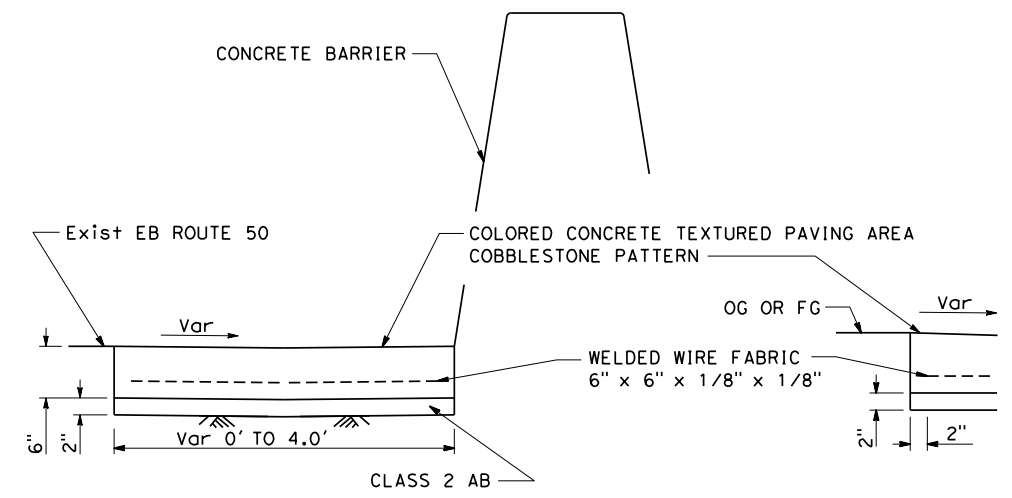
THE STATE OF CALIFORNIA OR ITS OFFICERS OR AGENTS SHALL NOT BE RESPONSIBLE FOR THE ACCURACY OR COMPLETENESS OF SCANNED COPIES OF THIS PLAN SHEET.

QUINCY ENGINEERING, INC
 11017 COBBLEROCK DRIVE SUITE 100
 RANCHO CORDOVA, CA 95670

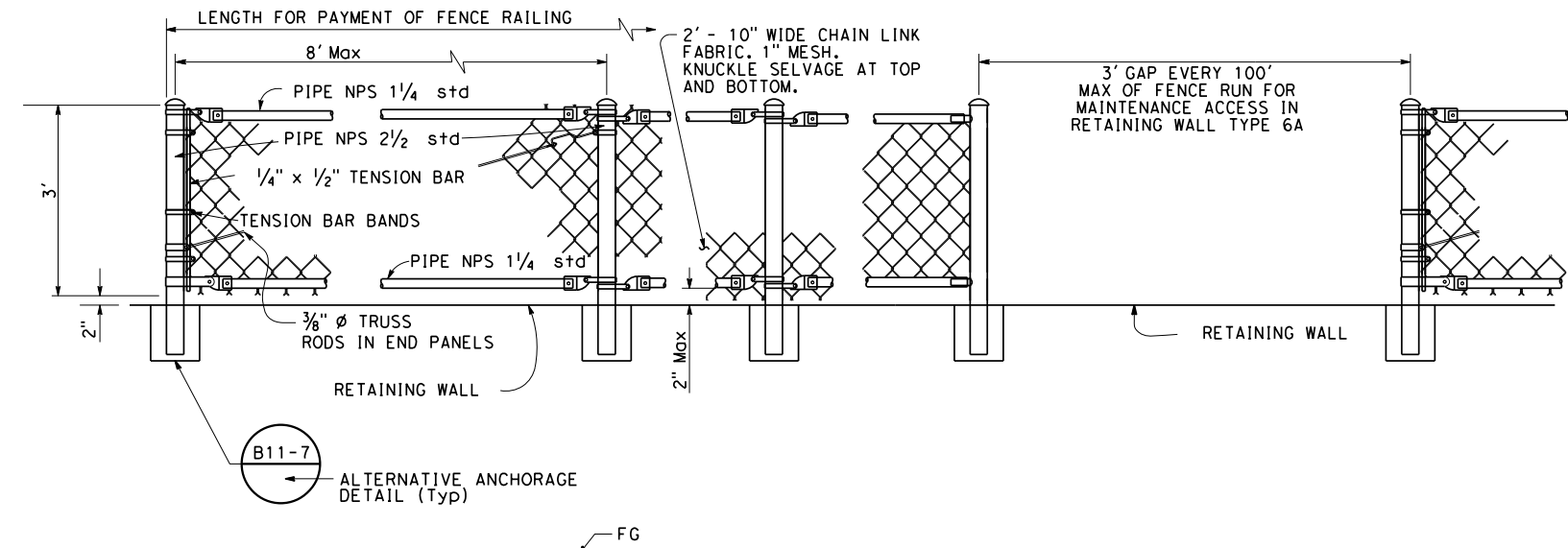
EL DORADO COUNTY
 2850 FAIRLANE COURT
 PLACERVILLE, CA 95667



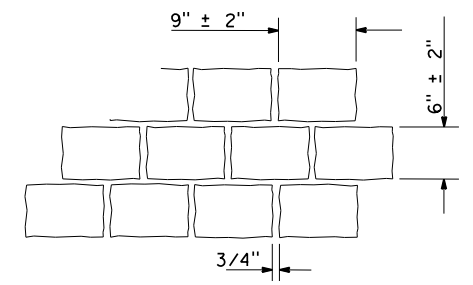
CONCRETE BARRIER (TYPE 60C Mod)



TEXTURED PAVING



FENCE RAILING DETAIL



COBBLESTONE PATTERN

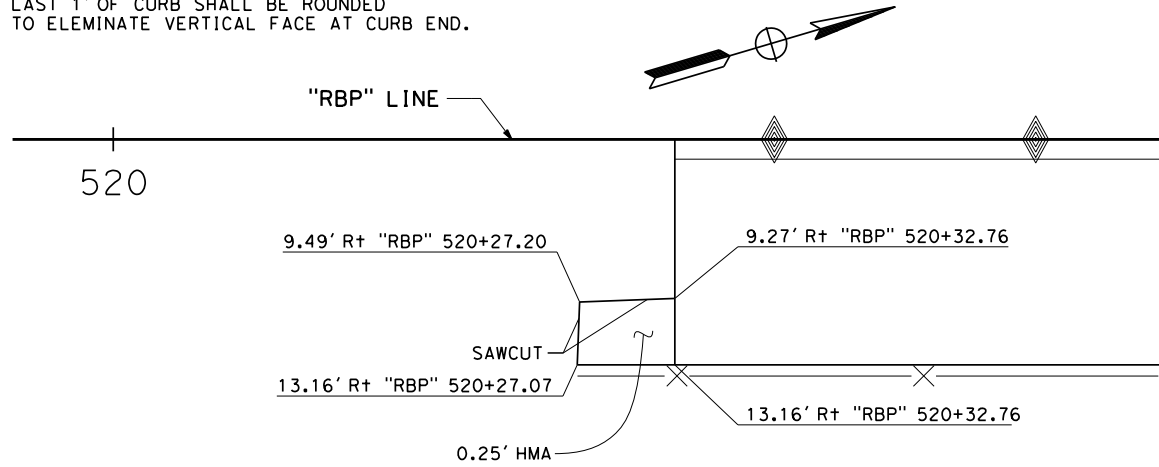
CONSTRUCTION DETAILS
 NO SCALE
C-1

DATE PLOTTED => 10/27/2016
 TIME PLOTTED => 11:10:14 AM

XX	XX	XX	XX	XX	XX	XX	XX	XX	XX
REVISOR	DATE	BY	REASON	DATE	BY	REASON	DATE	BY	REASON
BENJAMIN GRIMM		GARRETT MCLAUGHLIN							
JOHN QUINCY									
STATE OF CALIFORNIA - DEPARTMENT OF TRANSPORTATION									

NOTES:

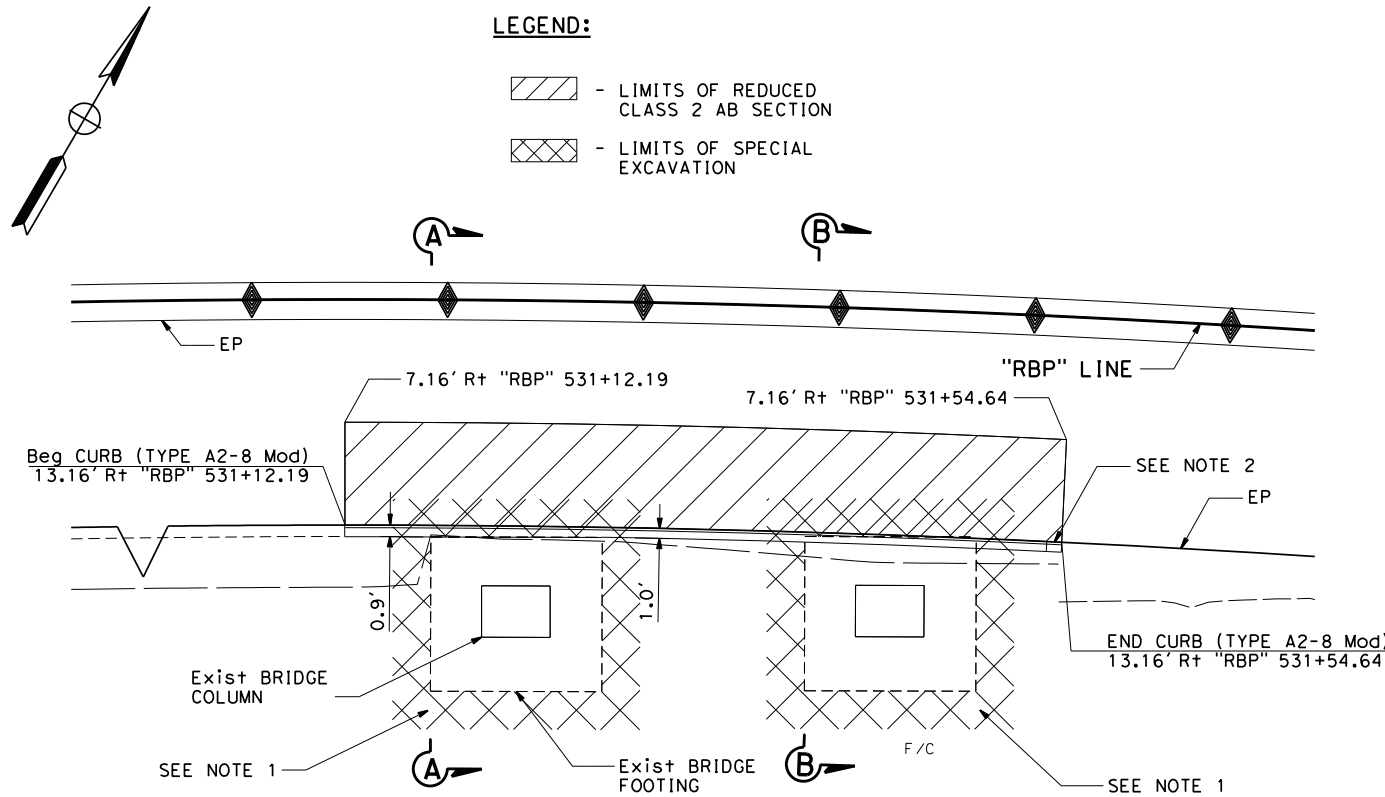
1. ALL EXCAVATION WITHIN 2' OF EXISTING BRIDGE FOOTING SHALL BE DONE WITH HAND TOOLS.
2. LAST 1' OF CURB SHALL BE ROUNDED TO ELEMIMATE VERTICAL FACE AT CURB END.



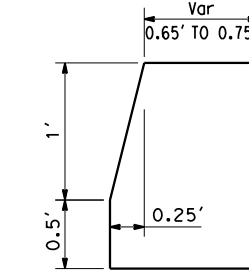
PAVEMENT AT CONFORM

LEGEND:

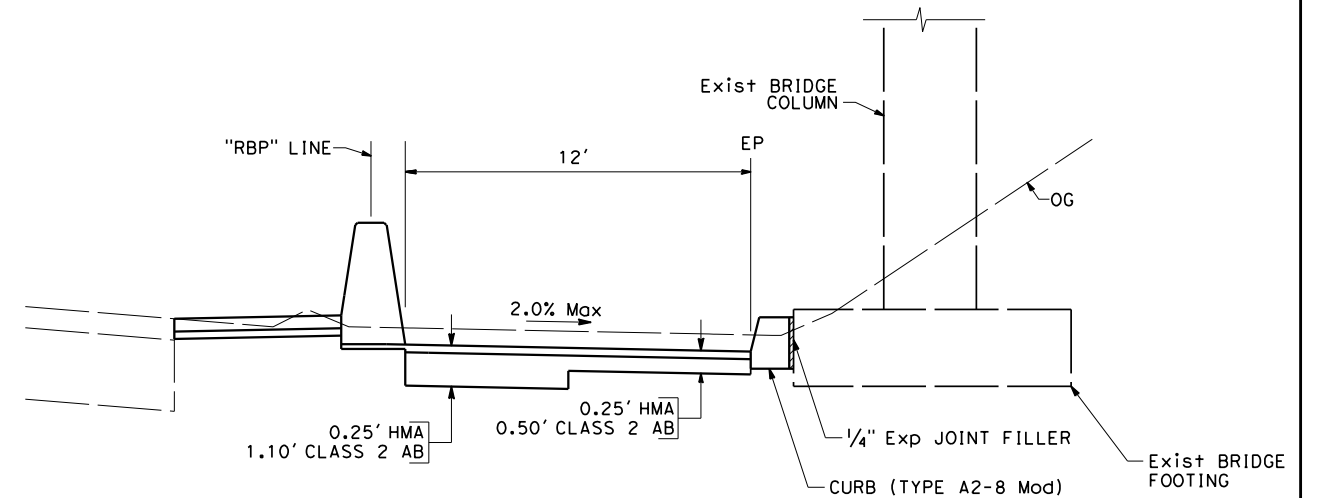
- LIMITS OF REDUCED CLASS 2 AB SECTION
- LIMITS OF SPECIAL EXCAVATION



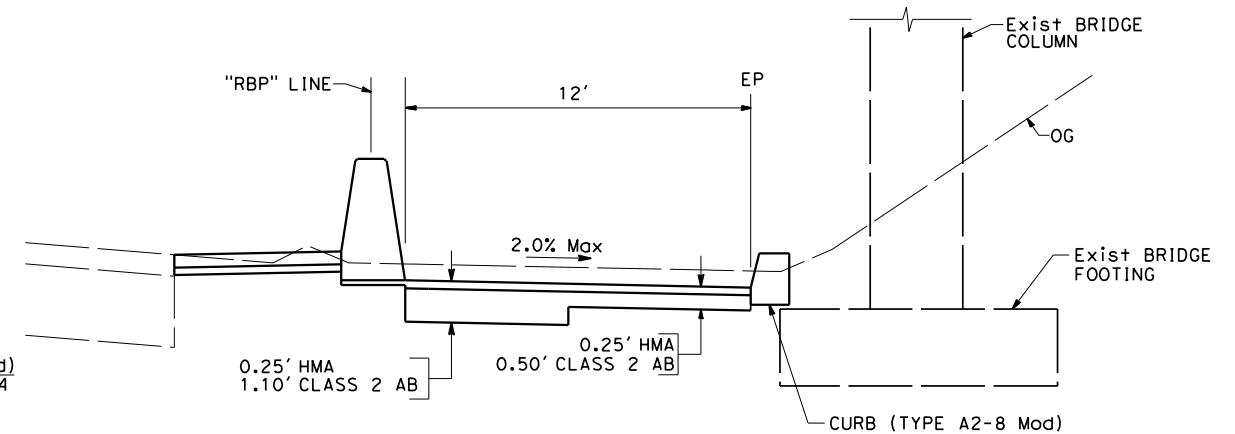
BIKE PATH AT EXISTING BRIDGE COLUMN



CURB (TYPE A2-8 Mod)



SECTION A-A



SECTION B-B

CONSTRUCTION DETAILS

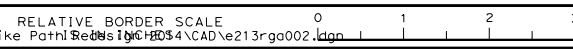
NO SCALE

C-2

Dist	COUNTY	ROUTE	POST MILES TOTAL PROJECT	SHEET No.	TOTAL SHEETS
03	ED	50	15.5/15.8	7	29
Garrett McLaughlin			05/29/15		
REGISTERED CIVIL ENGINEER			DATE		
May 29, 2015			PLANS APPROVAL DATE		
Garrett McLaughlin			REGISTERED PROFESSIONAL ENGINEER		
No. C67687			Exp. 06/30/17		
CIVIL			STATE OF CALIFORNIA		
QUINCY ENGINEERING, INC			EL DORADO COUNTY		
11017 COBBLEROCK DRIVE SUITE 100			2850 FAIRLANE COURT		
RANCHO CORDOVA, CA 95670			PLACERVILLE, CA 95667		

BORDER LAST REVISED 7/2/2010

USERNAME => garrettm
DGN FILE => S:\client\El Dorado\01-501-01-MOFLAT PS&E Phase 1B\Phase 1B_2_Bike Path\Revisions\CH054\CAD\e213rga002.dgn

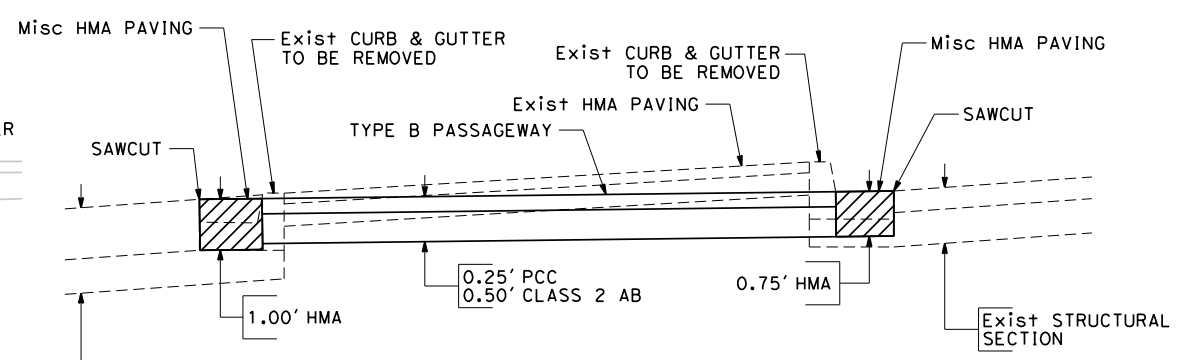
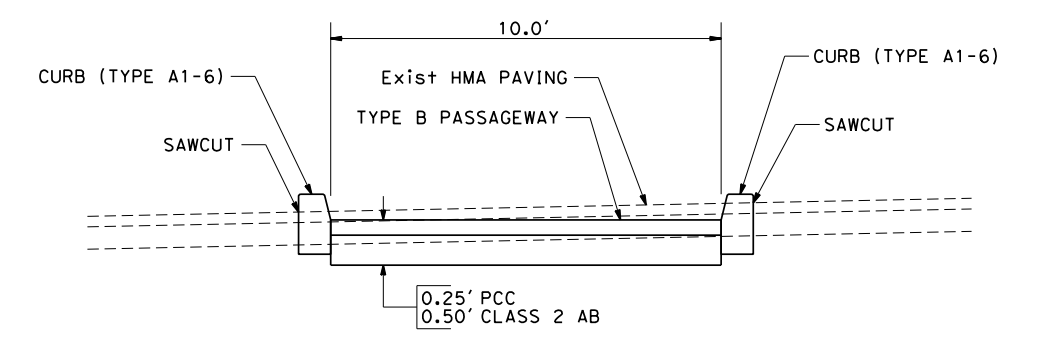
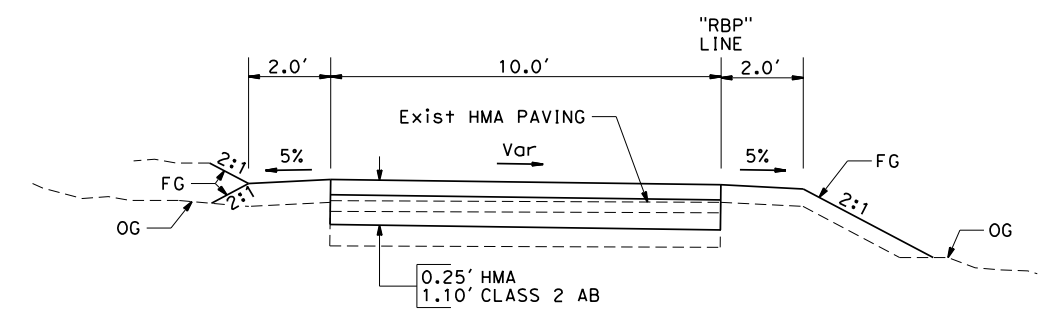
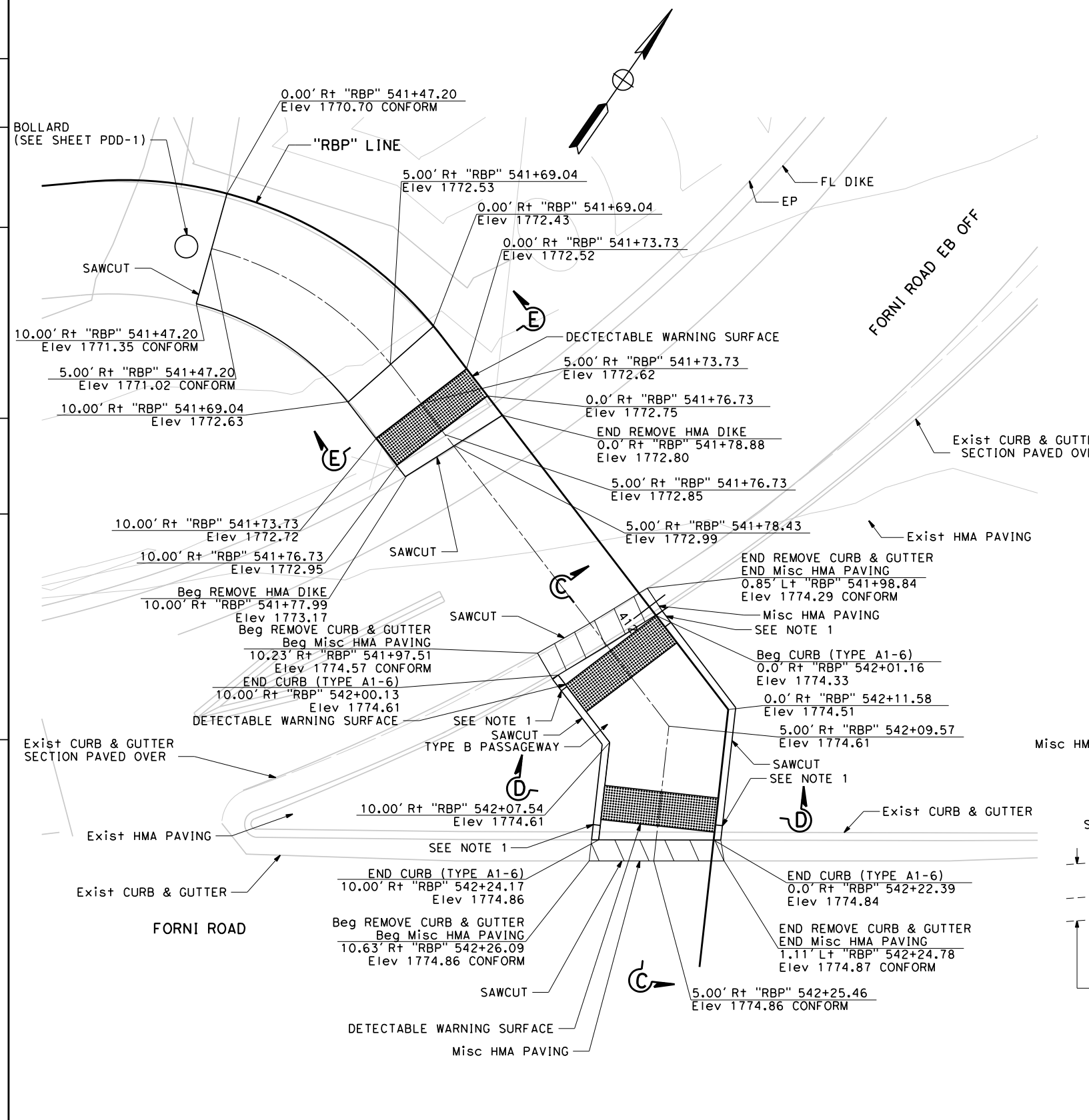


DATE PLOTTED => 3/14/2016
TIME PLOTTED => 9:59:42 AM

STATE OF CALIFORNIA - DEPARTMENT OF TRANSPORTATION
Caltrans

CONSULTANT FUNCTIONAL SUPERVISOR: JOHN QUINCY
 CHECKED BY: GARRETT MCLAUGHLIN
 DESIGNED BY: BENJAMIN GRIMM
 REVISIONS: XX/XX/XX, XX/XX/XX, XX/XX/XX, XX/XX/XX

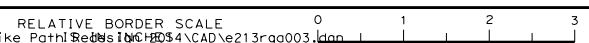
NOTE:
 1. LAST 1' OF CURB SHALL BE ROUNDED BE ELEMIMATE VERTICAL FACE AT CURB END.



CONSTRUCTION DETAILS
 NO SCALE
C-3

BORDER LAST REVISED 7/2/2010


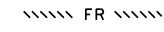

USERNAME => garrettm
 DGN FILE => S:\client\El Dorado\01-501-01-MOFLAT PS&E Phase 1B\Phase 1B_2\ike Path\Revisions\CH03\CAD\213rga003.dgn

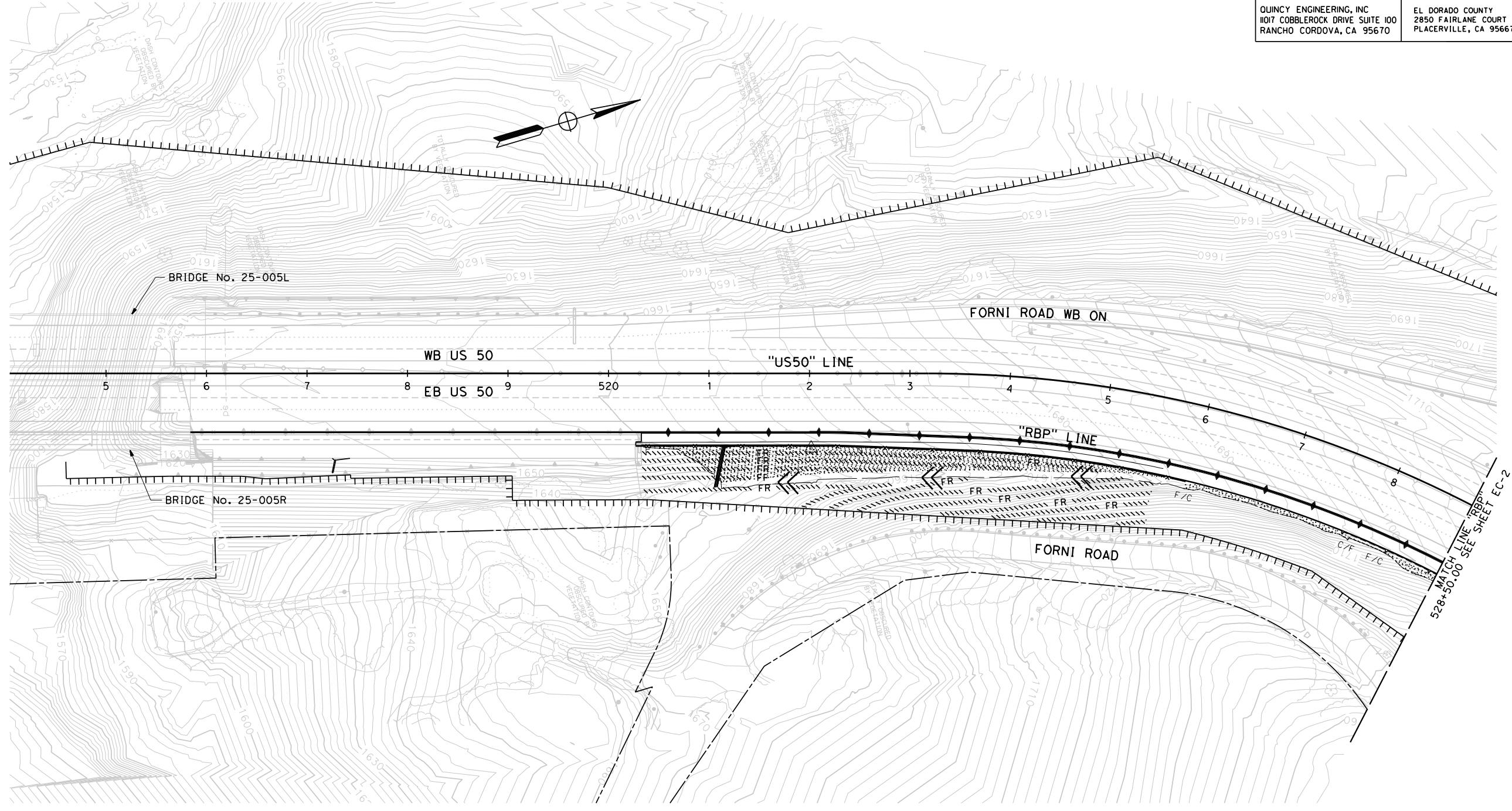


DATE PLOTTED => 3/14/2016
 TIME PLOTTED => 9:59:44 AM

STATE OF CALIFORNIA - DEPARTMENT OF TRANSPORTATION Caltrans	CONSULTANT FUNCTIONAL SUPERVISOR	JOHN QUINCY	CHECKED BY	BENJAMIN GRIMM	REVISOR	DATE	REVISION
	DESIGNED BY	GARRETT MCLAUGHLIN	DESIGNED BY	GARRETT MCLAUGHLIN	REVISOR	DATE	REVISION
	DESIGNED BY	GARRETT MCLAUGHLIN	DESIGNED BY	GARRETT MCLAUGHLIN	REVISOR	DATE	REVISION
	DESIGNED BY	GARRETT MCLAUGHLIN	DESIGNED BY	GARRETT MCLAUGHLIN	REVISOR	DATE	REVISION

NOTES:
 1. THIS PLAN ACCURATE FOR EROSION CONTROL WORK ONLY
 2. ALL DISTURBED SLOPED TO BE COVERED WITH ROLLED EROSION CONTROL PRODUCT (BLANKET).

LEGEND:
 HYDROSEED
 FR FIBER ROLL (TYPE B MATERIAL) (TYPE 2 INSTALLATION)
 TEMPORARY CHECK DAM (TYPE 1)



EROSION CONTROL PLAN
 SCALE: 1"=50'
EC-1

Dist	COUNTY	ROUTE	POST MILES TOTAL PROJECT	SHEET No.	TOTAL SHEETS
03	ED	50	15.5/15.8	9	29

Garrett McLaughlin 05/29/15
 REGISTERED CIVIL ENGINEER DATE

May 29, 2015
 PLANS APPROVAL DATE

Garrett McLaughlin
 No. C67687
 Exp. 06/30/17
 CIVIL

THE STATE OF CALIFORNIA OR ITS OFFICERS OR AGENTS SHALL NOT BE RESPONSIBLE FOR THE ACCURACY OR COMPLETENESS OF SCANNED COPIES OF THIS PLAN SHEET.

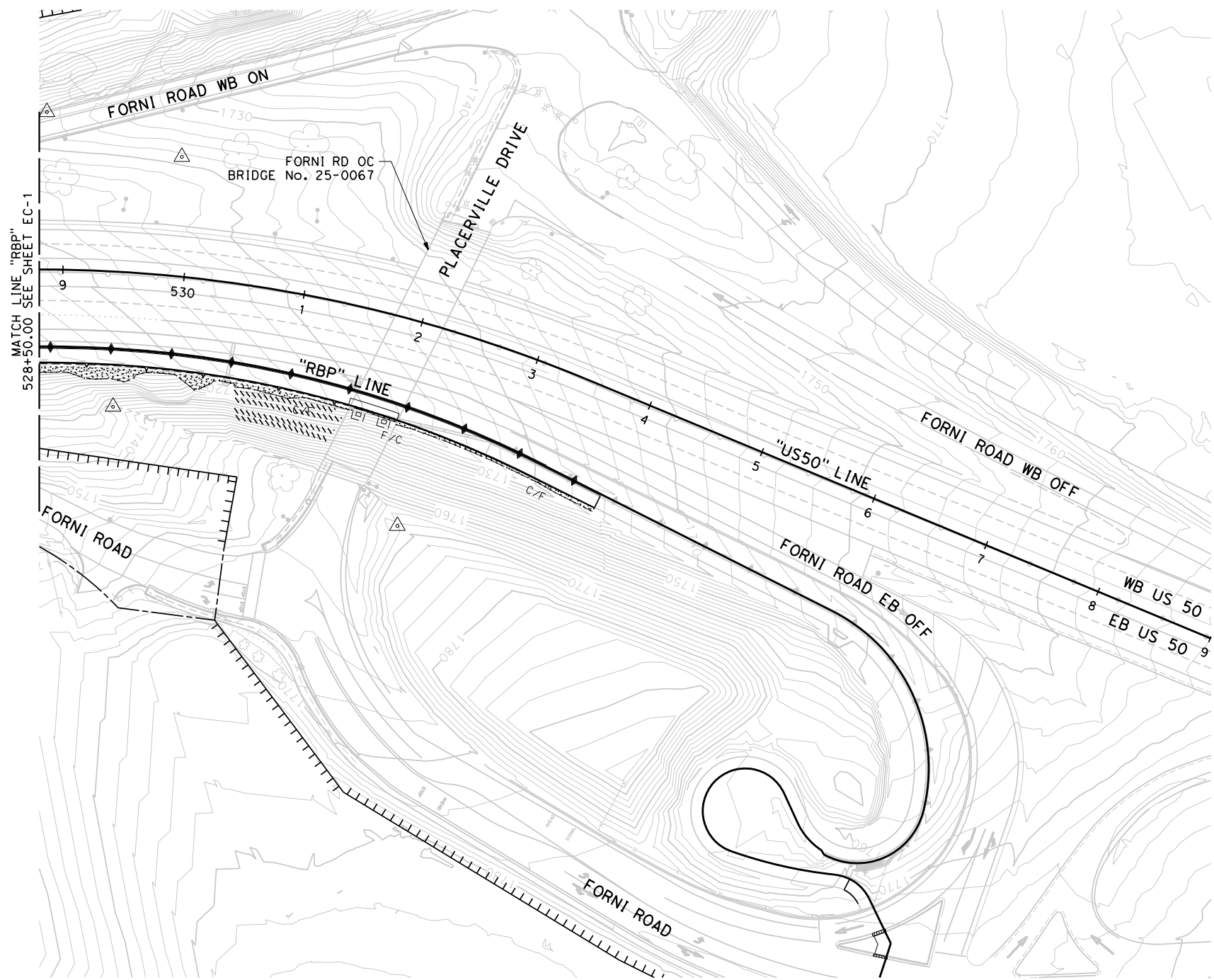
QUINCY ENGINEERING, INC
 11017 COBBLEROCK DRIVE SUITE 100
 RANCHO CORDOVA, CA 95670

EL DORADO COUNTY
 2850 FAIRLANE COURT
 PLACERVILLE, CA 95667

STATE OF CALIFORNIA - DEPARTMENT OF TRANSPORTATION Caltrans	CONSULTANT FUNCTIONAL SUPERVISOR	JOHN QUINCY	CHECKED BY	GARRETT MCLAUGHLIN	DESIGNED BY	BENJAMIN GRIMM	REVISOR	DATE	REVISION

NOTES:

1. THIS PLAN ACCURATE FOR EROSION CONTROL WORK ONLY
2. ALL DISTURBED SLOPED TO BE COVERED WITH ROLLED EROSION CONTROL PRODUCT (BLANKET).



Dist	COUNTY	ROUTE	POST MILES TOTAL PROJECT	SHEET No.	TOTAL SHEETS
03	ED	50	15.5/15.8	10	29

Garrett McLaughlin 05/29/15
 REGISTERED CIVIL ENGINEER DATE
 May 29, 2015
 PLANS APPROVAL DATE

REGISTERED PROFESSIONAL ENGINEER
 Garrett McLaughlin
 No. C67687
 Exp. 06/30/17
 CIVIL
 STATE OF CALIFORNIA

QUINCY ENGINEERING, INC
 11017 COBBLEROCK DRIVE SUITE 100
 RANCHO CORDOVA, CA 95670

EL DORADO COUNTY
 2850 FAIRLANE COURT
 PLACERVILLE, CA 95667

EROSION CONTROL PLAN
 SCALE: 1"=50'
EC-2

BORDER LAST REVISED 7/2/2010

USERNAME => garrettm
 DGN FILE => S:\client\El Dorado\01-501-01-MOFLAT PS&E Phase 1B\Phase 1B_2_10.dgn
 RELATIVE BORDER SCALE
 0 1 2 3

DATE PLOTTED => 3/14/2016
 TIME PLOTTED => 9:59:48 AM

STATE OF CALIFORNIA - DEPARTMENT OF TRANSPORTATION
St. Gibbons

CONSULTANT FUNCTIONAL SUPERVISOR
 JOHN QUINCY

CALCULATED-DESIGNED BY
 CHECKED BY

BENJAMIN GRIMM
 GARRETT McLAUGHLIN

REVISOR BY
 DATE REVISED

XX XX
 XX/XX/XX
 XX/XX/XX
 XX/XX/XX

Dist	COUNTY	ROUTE	POST MILES TOTAL PROJECT	SHEET No.	TOTAL SHEETS
03	ED	50	15.5/15.8	11	29

Garrett McLaughlin 05/29/15
 REGISTERED CIVIL ENGINEER DATE

May 29, 2015
 PLANS APPROVAL DATE

THE STATE OF CALIFORNIA OR ITS OFFICERS OR AGENTS SHALL NOT BE RESPONSIBLE FOR THE ACCURACY OR COMPLETENESS OF SCANNED COPIES OF THIS PLAN SHEET.

QUINCY ENGINEERING, INC
 11017 COBBLEROCK DRIVE SUITE 100
 RANCHO CORDOVA, CA 95670

EL DORADO COUNTY
 2850 FAIRLANE COURT
 PLACERVILLE, CA 95667

HYDROSEED SEED MIX

PLANT No.	BOTANICAL NAME	COMMON NAME	Min GERMINATION RATES	Lbs. PURE LIVE SEED PER ACRE
1	ESCHSCHOLZIA CALIFORNICA	CALIFORNIA POPPY	67.5%	2.5
2	TRIFOLIUM WILLDENOVII	TOMCAT CLOVER	63%	3
3	MELICA CALIFORNICA	CALIFORNIA MELIC	54%	3
4	LEYMUS TRITICOIDES	CREEPING WILD RYE	72%	7
5	NASELLA LEPIDA	FOOTHILL NEEDLEGRASS	63%	5.5
6	LOTUS PURSHIANUS	PURSHING LOTUS	45%	7.5

NOTE:

- SEED SOURCE SHALL ORIGINATE FROM SACRAMENTO VALLEY AND SIERRA FOOTHILLS REGIONS.

EROSION CONTROL

SEQUENCE	ITEM	MATERIAL		APPLICAITON RATE
		DESCRIPTION	TYPE	
STEP 1	HYDROSEED	SEED	SEED MIX	28.5 LB/ACRE
STEP 2	HYDROSEED	FIBER	WOOD	1500 LB/ACRE
STEP 3	HYDROSEED	TACKIFIER	PSYLLIUM	180 LB/ACRE
STEP 4	ROLLED EROSION CONTROL PRODUCT	BLANKET	TYPE B	
STEP 5	FIBER ROLLS	STRAW		TYPE 2

EROSION CONTROL LEGEND

NO SCALE

ECL-1

BORDER LAST REVISED 7/2/2010

USERNAME => garrettm
 DGN FILE => S:\client\El Dorado\E01-01-MOFLAT PS&E Phase 1B\Phase 1B_2_01.dgn

RELATIVE BORDER SCALE
 0 1 2 3

DATE PLOTTED => 3/14/2016
 TIME PLOTTED => 9:59:45 AM

STATE OF CALIFORNIA - DEPARTMENT OF TRANSPORTATION
 BB Caltrans

CONSULTANT FUNCTIONAL SUPERVISOR
 JOHN QUINCY

CHECKED BY
 GARRETT McLAUGHLIN

DESIGNED BY
 BENJAMIN GRIMM

REVISOR
 DATE REVISION

XX
 XX/XX/XX

XX
 XX/XX/XX

XX
 XX/XX/XX

- NOTES:**
1. FOR COMPLETE RIGHT OF WAY AND ACCURATE ACCESS DATA, SEE RIGHT OF WAY RECORD MAPS AT THE CALTRANS DISTRICT OR COUNTY OFFICE.
 2. LOCATION OF EXISTING DRAINAGE FACILITIES ARE APPROXIMATE. VERIFY LOCATION AND ELEVATION OF EXISTING DRAINAGE FACILITIES PRIOR TO MODIFYING.
 3. CONTRACTOR IS RESPONSIBLE TO PROVIDE POSITIVE DRAINAGE FROM ALL ROADWAY AT ALL TIMES.
 4. SEE LAYOUT SHEETS FOR LIMITS OF GUTTERS, CURBS AND DIKES.

- ABBREVIATIONS:**
- TCE TEMPORARY CONSTRUCTION EASEMENT
 - DRCB DOUBLE REINFORCED CONCRETE BOX
 - HMAOD HOT MIX ASPHALT OVERSIDE DRAIN
 - DA DEPRESSED APRON

- LEGEND:**
- XXX DRAINAGE SYSTEM NUMBER
 - XX DRAINAGE UNIT NUMBER
 - DIRECTION OF DITCH FLOW
 - - - DITCH FL
 - GRADE TO DRAIN
 - ROCK SLOPE PROTECTION

Dist	COUNTY	ROUTE	POST MILES TOTAL PROJECT	SHEET No.	TOTAL SHEETS
03	ED	50	15.5/15.8	12	29

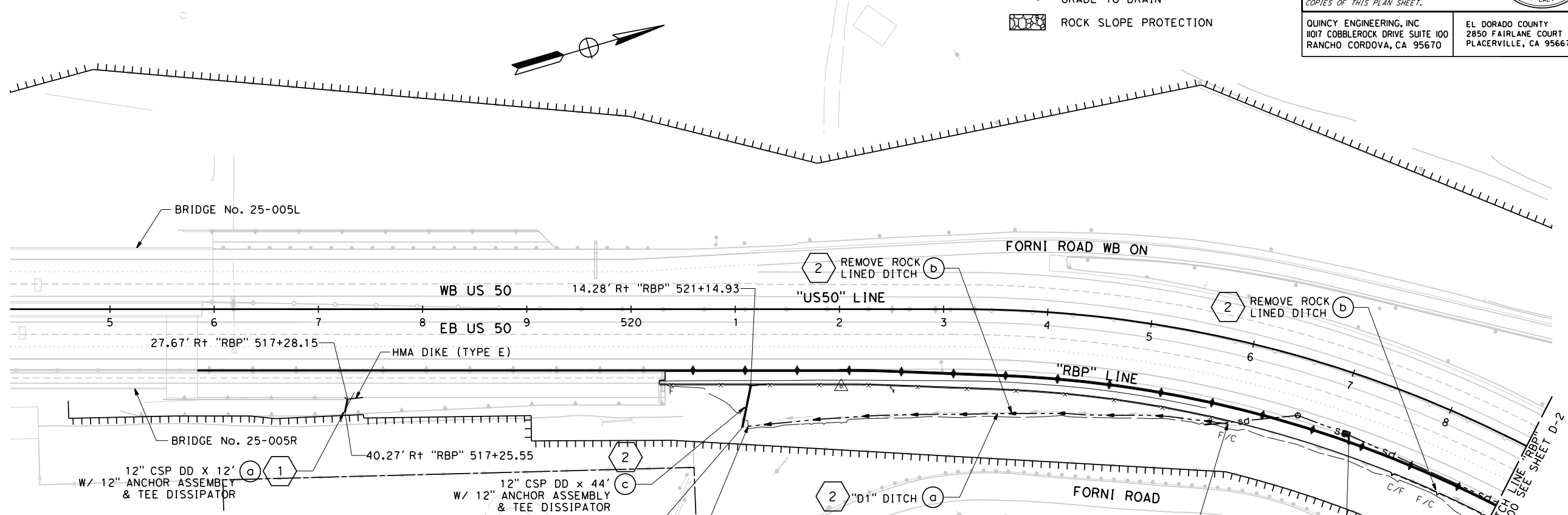
Garrett McLaughlin
 REGISTERED CIVIL ENGINEER DATE 05/29/15

May 29, 2015
 PLANS APPROVAL DATE

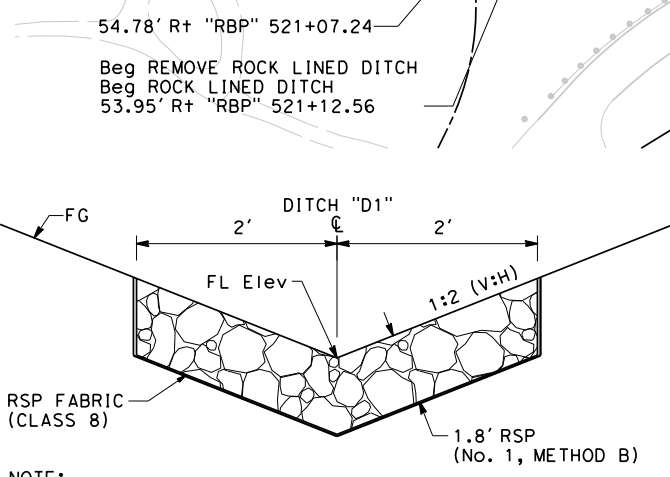
THE STATE OF CALIFORNIA OR ITS OFFICERS OR AGENTS SHALL NOT BE RESPONSIBLE FOR THE ACCURACY OR COMPLETENESS OF SCANNED COPIES OF THIS PLAN SHEET.

QUINCY ENGINEERING, INC
 11017 COBBLE ROCK DRIVE SUITE 100
 RANCHO CORDOVA, CA 95670

EL DORADO COUNTY
 2850 FAIRLANE COURT
 PLACERVILLE, CA 95667



"D1" DITCH					
STATION	LINE	OFFSET	L+/R+	FLOW LINE ELEVATION	SLOPE %
521+12.56	"RBP"	53.95	R+	1643.52	
521+20.00	"RBP"	52.88	R+	1644.19	8.98
521+40.00	"RBP"	49.36	R+	1646.45	11.30
521+60.00	"RBP"	46.59	R+	1648.56	10.55
521+80.00	"RBP"	44.93	R+	1650.11	7.75
522+00.00	"RBP"	45.60	R+	1651.15	5.20
522+20.00	"RBP"	45.40	R+	1652.56	7.05
522+40.00	"RBP"	44.25	R+	1653.78	6.10
522+60.00	"RBP"	42.45	R+	1654.92	5.70
522+80.00	"RBP"	40.30	R+	1656.02	5.50
523+00.00	"RBP"	38.99	R+	1657.44	7.10
523+20.00	"RBP"	38.17	R+	1658.66	6.10
523+40.00	"RBP"	36.65	R+	1660.28	8.10
523+60.00	"RBP"	35.68	R+	1661.85	7.85
523+80.00	"RBP"	34.55	R+	1663.13	6.40
524+00.00	"RBP"	33.99	R+	1664.35	6.10
524+20.00	"RBP"	32.37	R+	1666.21	9.30
524+40.00	"RBP"	30.60	R+	1668.16	9.75
524+60.00	"RBP"	28.73	R+	1670.30	10.70
524+80.00	"RBP"	26.16	R+	1672.63	11.65
525+00.00	"RBP"	23.63	R+	1675.10	12.35
525+20.00	"RBP"	21.36	R+	1677.47	11.85
525+40.00	"RBP"	20.87	R+	1679.36	9.45
525+60.00	"RBP"	20.89	R+	1682.58	16.10
525+80.00	"RBP"	14.00	R+	1684.30	8.60



NOTE:
 PIN FABRIC TO
 SIDES OF TRENCH

2 "D1" DITCH
 "D1" DITCH

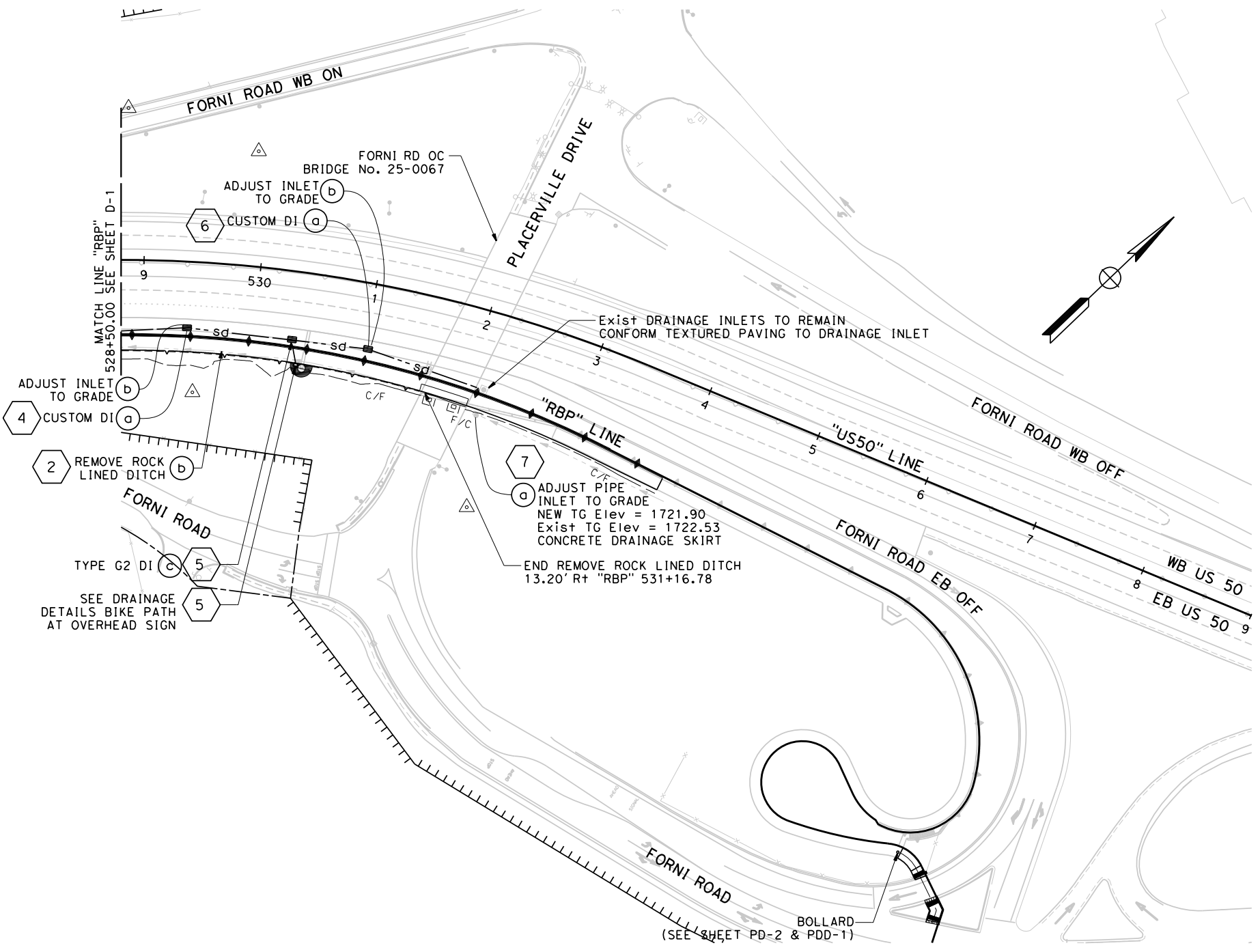
Sta "RBP" 521+12.56 TO "RBP" 525+80.00
 NOTE: FOR FLOW LINE ELEVATION, SEE TABLE.

DRAINAGE PLAN
 SCALE: 1"=50'
D-1

DATE PLOTTED => 3/14/2016
 TIME PLOTTED => 9:59:49 AM
 00-00-00

STATE OF CALIFORNIA - DEPARTMENT OF TRANSPORTATION Caltrans	CONSULTANT FUNCTIONAL SUPERVISOR	JOHN QUINCY	CHECKED BY	GARRETT MCLAUGHLIN	REVISOR	BENJAMIN GRIMM	DATE	XX/XX/XX
	DESIGNED BY		CALCULATED BY		REVISION		DATE	XX/XX/XX
								XX/XX/XX
								XX/XX/XX

NOTES:
 1. FOR COMPLETE RIGHT OF WAY AND ACCURATE ACCESS DATA, SEE RIGHT OF WAY RECORD MAPS AT THE CALTRANS DISTRICT OR COUNTY OFFICE.



Dist	COUNTY	ROUTE	POST MILES TOTAL PROJECT	SHEET No.	TOTAL SHEETS
03	ED	50	15.5/15.8	13	29

Garrett McLaughlin 05/29/15
 REGISTERED CIVIL ENGINEER DATE

May 29, 2015
 PLANS APPROVAL DATE

Garrett McLaughlin
 No. C67687
 Exp. 06/30/17
 CIVIL

THE STATE OF CALIFORNIA OR ITS OFFICERS OR AGENTS SHALL NOT BE RESPONSIBLE FOR THE ACCURACY OR COMPLETENESS OF SCANNED COPIES OF THIS PLAN SHEET.

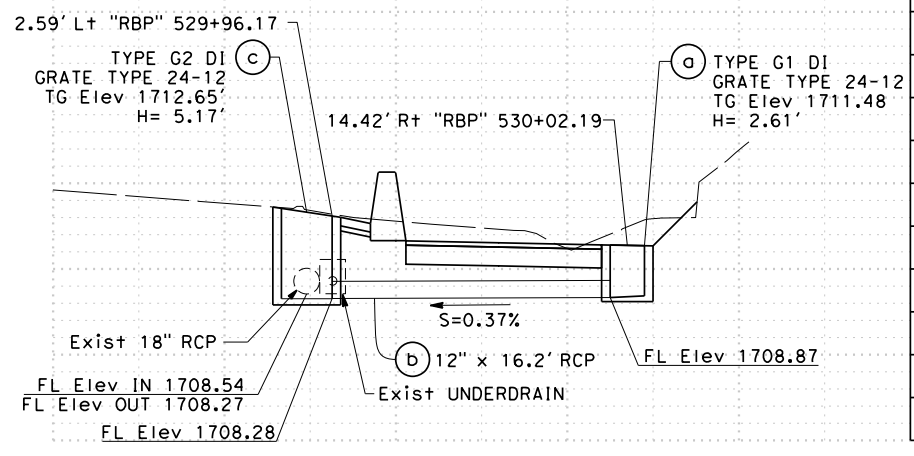
QUINCY ENGINEERING, INC
 11017 COBBLEROCK DRIVE SUITE 100
 RANCHO CORDOVA, CA 95670

EL DORADO COUNTY
 2850 FAIRLANE COURT
 PLACERVILLE, CA 95667

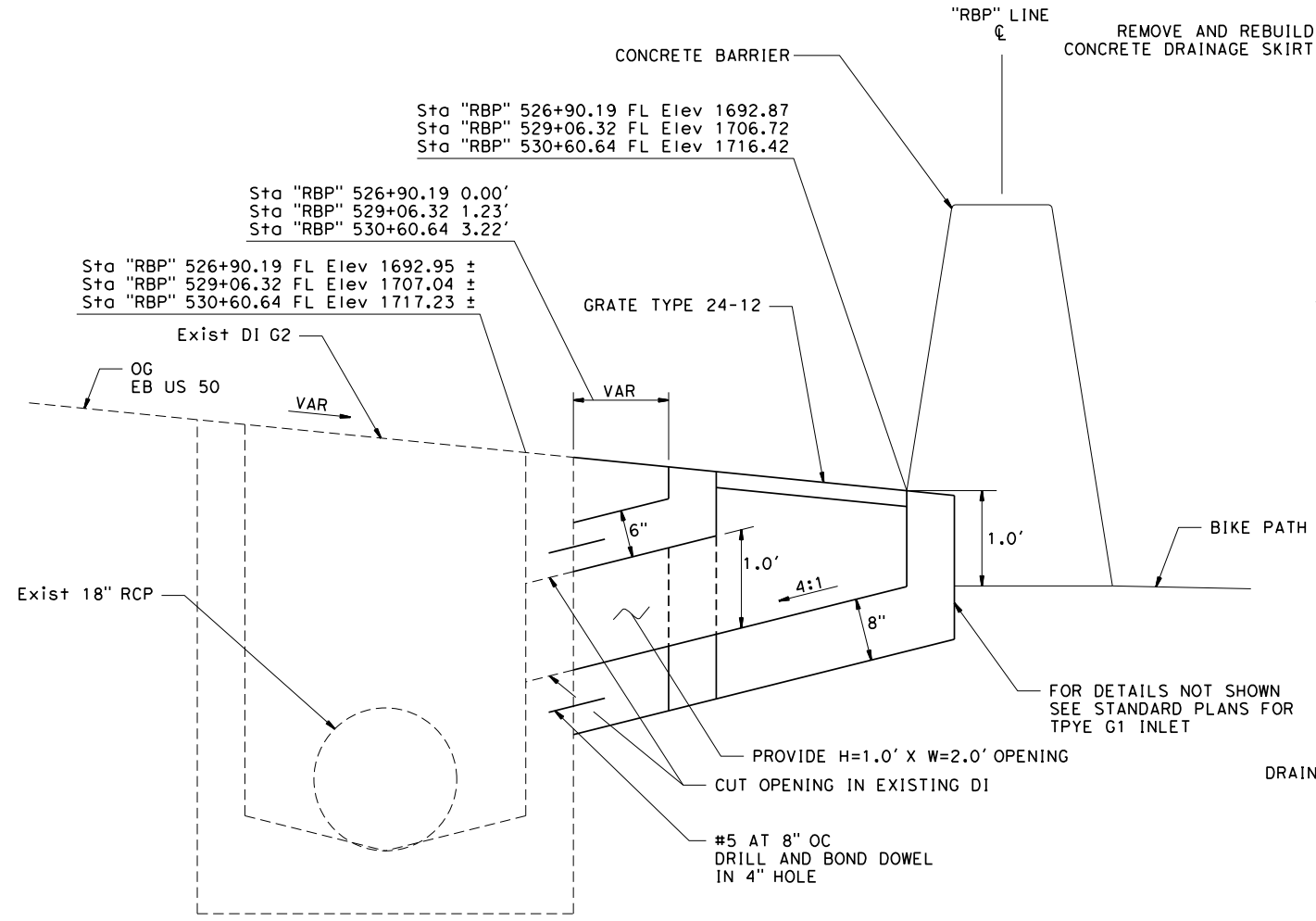
DRAINAGE PLAN
 SCALE: 1"=50'
D-2

DATE PLOTTED => 3/14/2016
 TIME PLOTTED => 9:59:50 AM

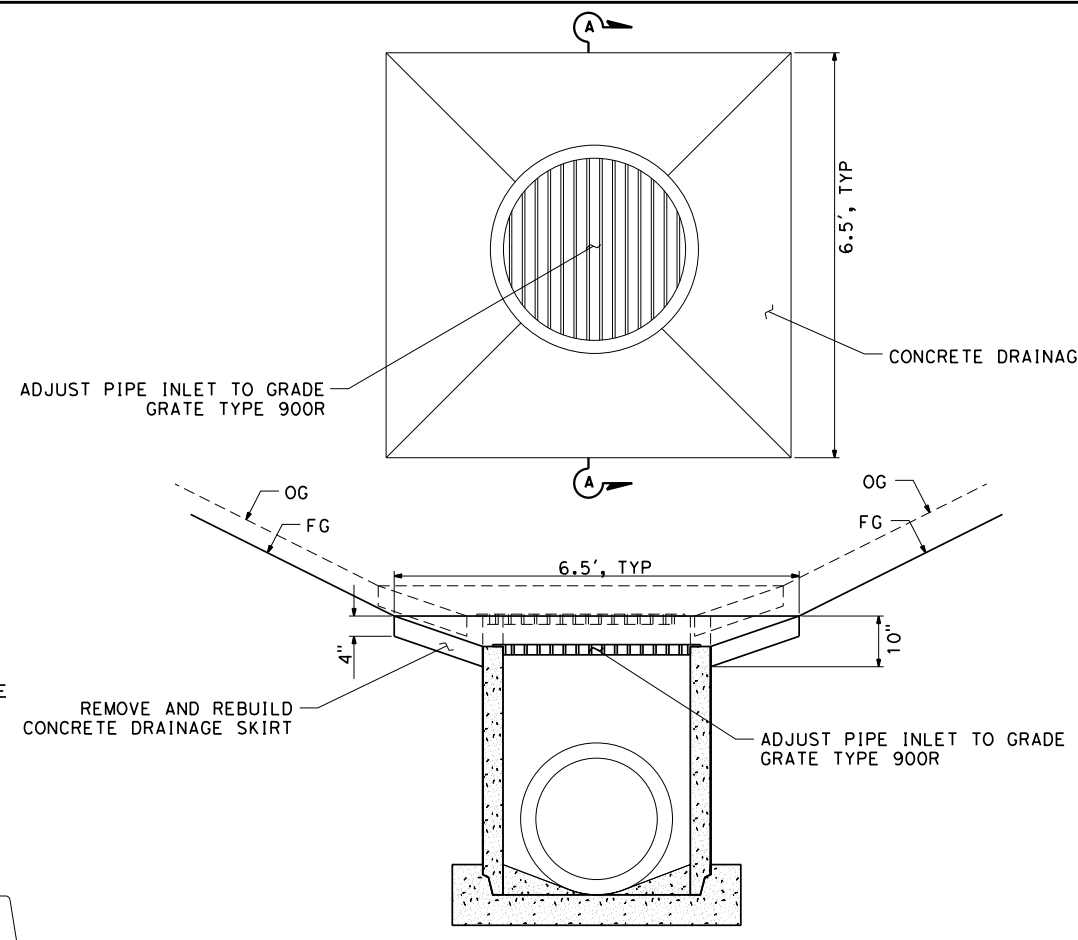
x	XX	XX	XX/XX/XX	XX/XX/XX	XX
	XX	XX	XX/XX/XX	XX/XX/XX	XX
	XX	XX	XX/XX/XX	XX/XX/XX	XX
	XX	XX	XX/XX/XX	XX/XX/XX	XX
x	REVISOR	DATE	REVISION	DATE	REVISION
	BENJAMIN GRIMM		GARRETT MCLAUGHLIN		
x	CALCULATED-DESIGNED BY	CHECKED BY			
	JOHN QUINCY				
x	CONSULTANT FUNCTIONAL SUPERVISOR	DEPARTMENT OF TRANSPORTATION			
	STATE OF CALIFORNIA	DEPARTMENT OF TRANSPORTATION			



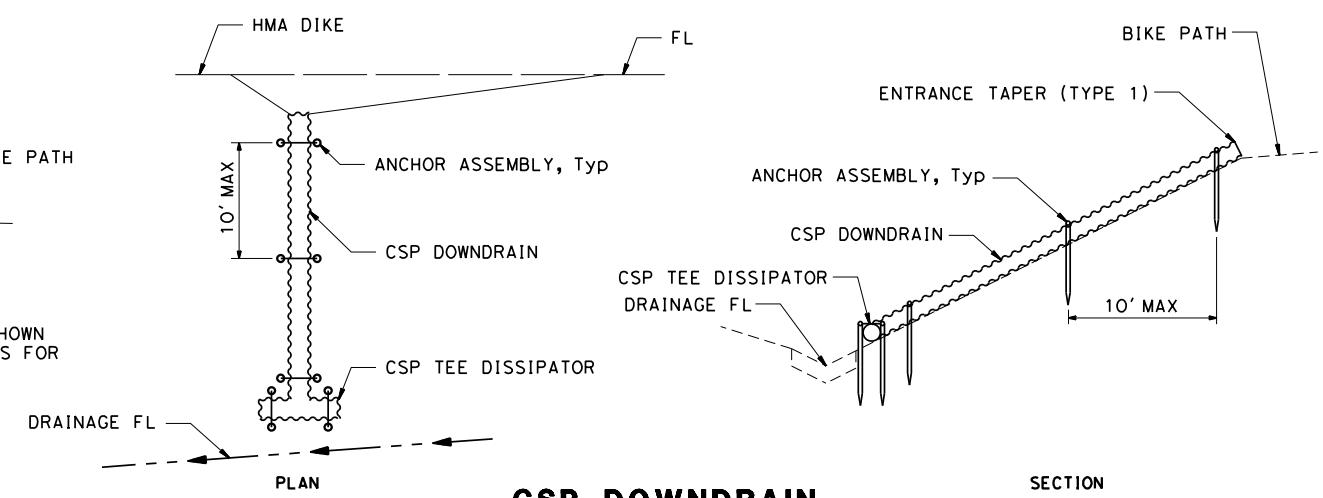
DRAINAGE SYSTEM No. 5
 Horiz : 1" = 5'
 Vert : 1" = 5'



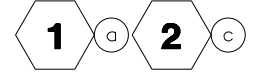
CUSTOM DI
 Sta "RBP" 526+90.19
 Sta "RBP" 529+06.32
 Sta "RBP" 530+60.64



**SECTION A-A
 ADJUST PIPE INLET TO GRADE**



CSP DOWNDRAIN



DRAINAGE DETAILS

NO SCALE **DD-1**

DIST	COUNTY	ROUTE	POST MILES TOTAL PROJECT	SHEET No.	TOTAL SHEETS
03	ED	50	15.5/15.8	14	29

Garrett McLaughlin 05/29/15
 REGISTERED CIVIL ENGINEER DATE

May 29, 2015
 PLANS APPROVAL DATE

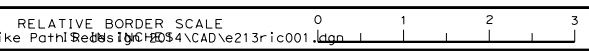
Garrett McLaughlin
 No. C67687
 Exp. 06/30/17
 CIVIL
 STATE OF CALIFORNIA

QUINCY ENGINEERING, INC
 11017 COBBLEROCK DRIVE SUITE 100
 RANCHO CORDOVA, CA 95670

EL DORADO COUNTY
 2850 FAIRLANE COURT
 PLACERVILLE, CA 95667

BORDER LAST REVISED 7/2/2010

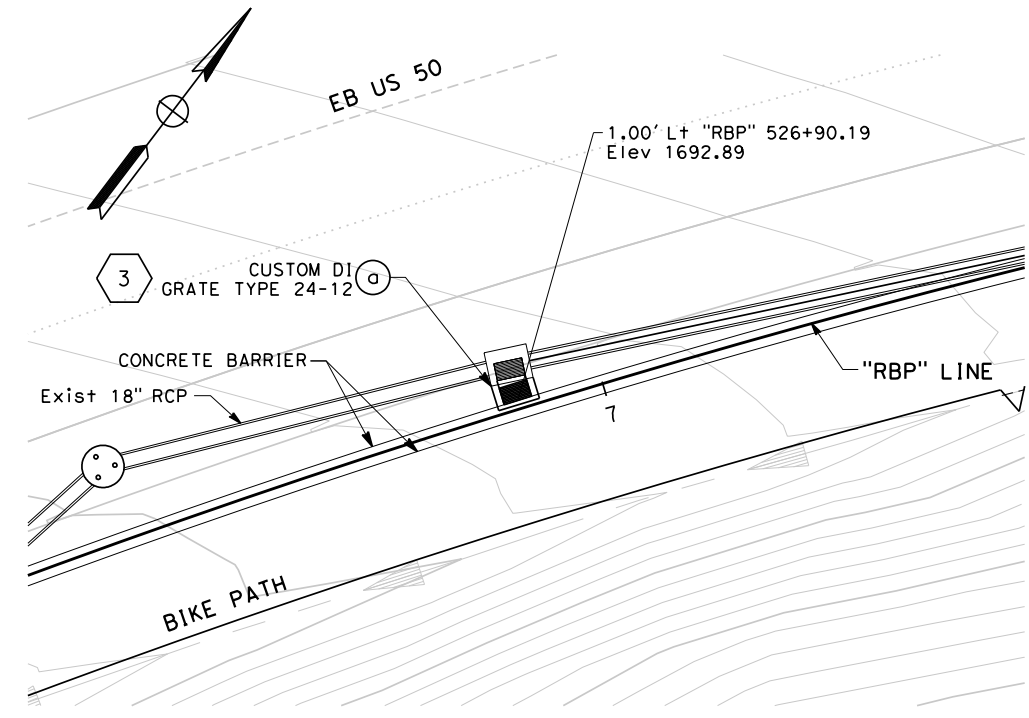
USERNAME => garrettm
 DGN FILE => S:\client\El Dorado\E01-501-01-MOFLAT PS&E Phase 1B\Phase 1B_2_Bike Path\Revisions\CH05\CAD\213r\c001.dgn



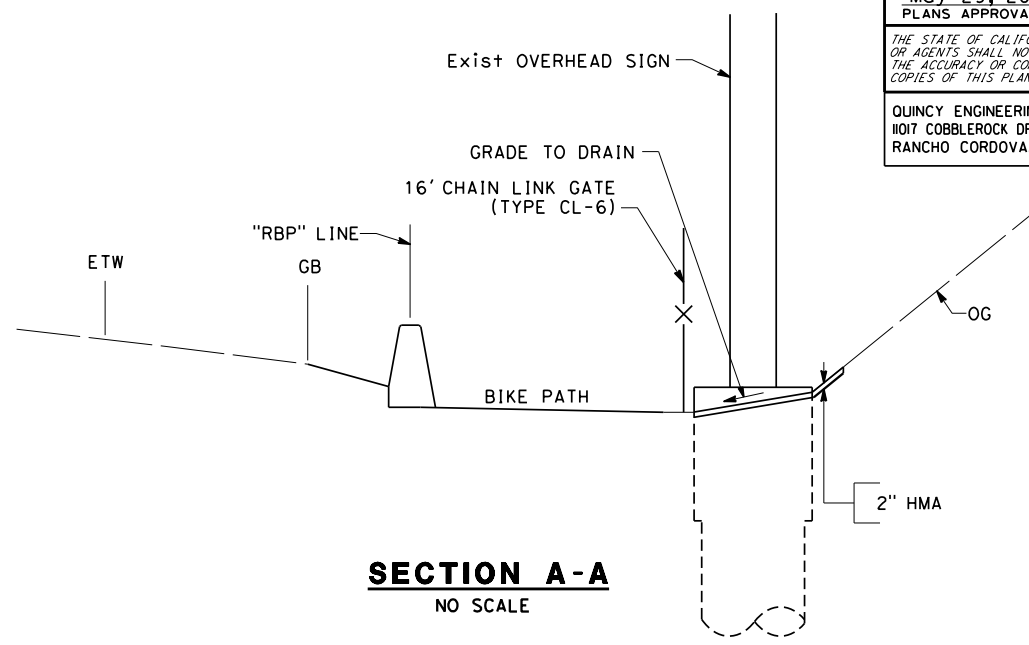
DATE PLOTTED => 3/14/2016
 TIME PLOTTED => 9:59:51 AM

STATE OF CALIFORNIA - DEPARTMENT OF TRANSPORTATION	CONSULTANT FUNCTIONAL SUPERVISOR	REVISOR	DATE
Ed Gibbons	JOHN QUINCY	BENJAMIN GRIMM	XX/XX/XX
		GARRETT MCLAUGHLIN	XX/XX/XX
			XX/XX/XX
			XX/XX/XX

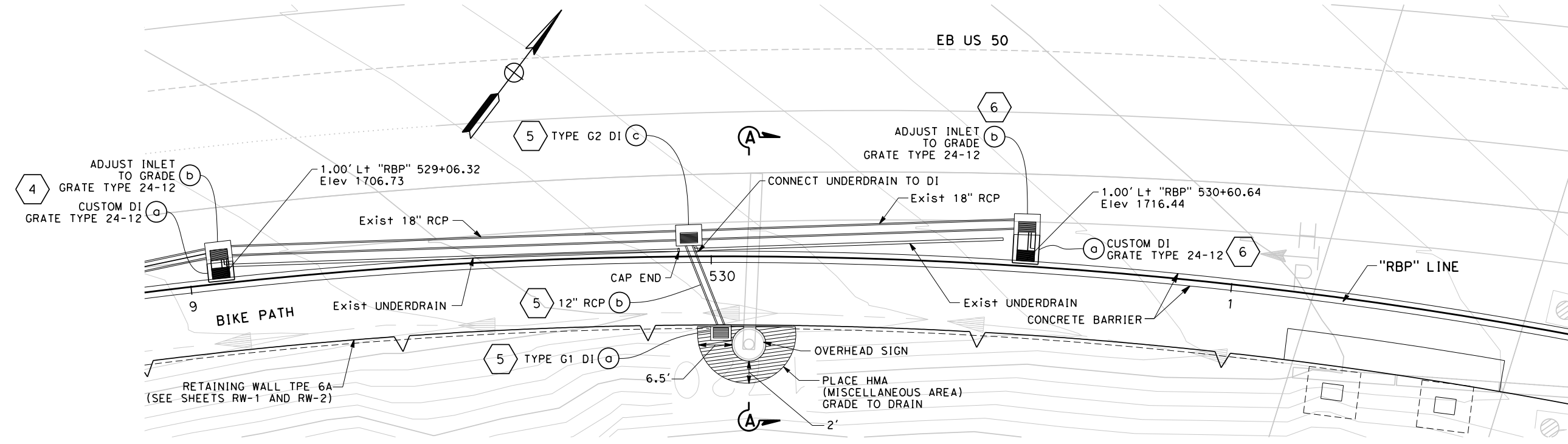
Dist	COUNTY	ROUTE	POST MILES TOTAL PROJECT	SHEET No.	TOTAL SHEETS
03	ED	50	15.5/15.8	15	29
Garrett McLaughlin		05/29/15			
REGISTERED CIVIL ENGINEER		DATE			
May 29, 2015		PLANS APPROVAL DATE			
THE STATE OF CALIFORNIA OR ITS OFFICERS OR AGENTS SHALL NOT BE RESPONSIBLE FOR THE ACCURACY OR COMPLETENESS OF SCANNED COPIES OF THIS PLAN SHEET.					
QUINCY ENGINEERING, INC 11017 COBBLEROCK DRIVE SUITE 100 RANCHO CORDOVA, CA 95670			EL DORADO COUNTY 2850 FAIRLANE COURT PLACERVILLE, CA 95667		



DETAIL 1



SECTION A-A
NO SCALE

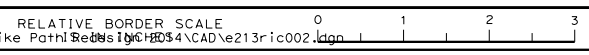


BIKE PATH AT OVERHEAD SIGN
NO SCALE

DRAINAGE DETAILS
NO SCALE
DD-2

BORDER LAST REVISED 7/2/2010

USERNAME => garrettm
DGN FILE => S:\client\El Dorado\E01-501-01-MOFLAT PS&E Phase 1B\Phase 1B_2_Bike Path\Revisions\CH054\CAD\e213ric002.dgn



DATE PLOTTED => 3/14/2016
TIME PLOTTED => 9:59:53 AM

STATE OF CALIFORNIA - DEPARTMENT OF TRANSPORTATION
Caltrans

NOTES:
 1. THIS PLAN ACCURATE FOR CONSTRUCTION AREA SIGN WORK ONLY.
 2. SIGN LOCATIONS ARE APPROXIMATE. EXACT LOCATIONS TO BE DETERMINED BY THE ENGINEER AND APPROVED BY CALTRANS.

LEGEND:
 (X) SIGN LETTER
 T SIGN LOCATION, ONE POST
 TT SIGN LOCATION, TWO POST

CONSTRUCTION AREA SIGN (STATIONARY MOUNTED) QUANTITIES

SIGN LETTER	MUTCD SIGN CODE	PANEL SIZE (IN X IN)	SIGN MESSAGE	POST SIZE (IN)	No. OF POSTS (EA)
A	W20-1	60 x 60	ROAD WORK AHEAD	4 x 6	2
B	G20-2	36 x 18	END ROAD WORK	4 x 4	1
C	C40(Mod)(CA)	96 x 60	TRAFFIC FINES DOUBLED IN WORK ZONES	6 x 8	2

Dist	COUNTY	ROUTE	POST MILES TOTAL PROJECT	SHEET No.	TOTAL SHEETS
03	ED	50	15.5/15.8	16	29

Garrett McLaughlin 05/29/15
 REGISTERED CIVIL ENGINEER DATE

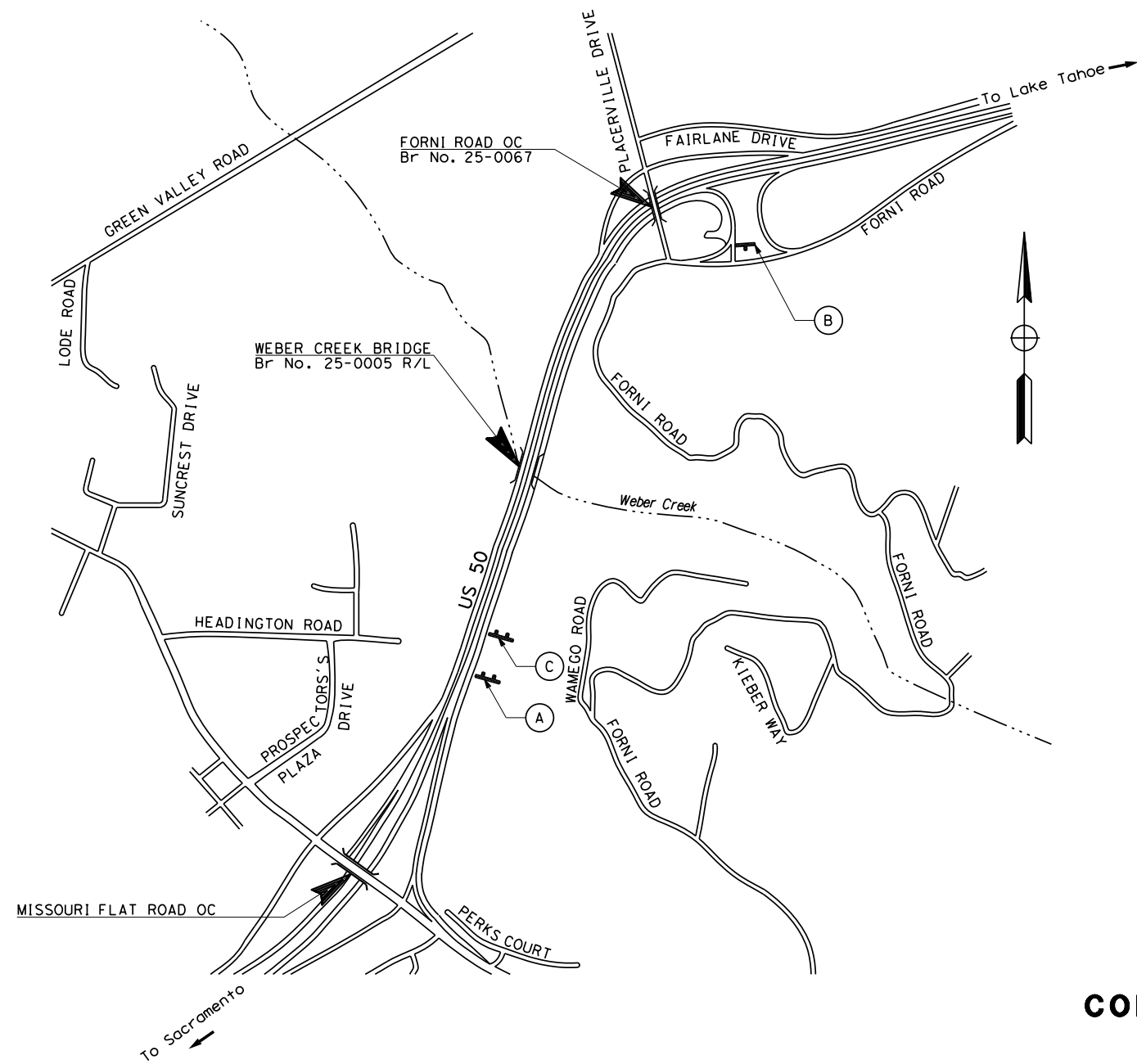
May 29, 2015
 PLANS APPROVAL DATE

Garrett McLaughlin
 No. C67687
 Exp. 06/30/17
 CIVIL

THE STATE OF CALIFORNIA OR ITS OFFICERS OR AGENTS SHALL NOT BE RESPONSIBLE FOR THE ACCURACY OR COMPLETENESS OF SCANNED COPIES OF THIS PLAN SHEET.

QUINCY ENGINEERING, INC
 11017 COBBLEROCK DRIVE SUITE 100
 RANCHO CORDOVA, CA 95670

EL DORADO COUNTY
 2850 FAIRLANE COURT
 PLACERVILLE, CA 95667



SIGN DETAILS

(C) C40(Mod)(CA)

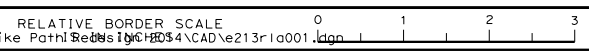
TRAFFIC FINES DOUBLED IN WORK ZONES

96" x 60"
 RETROREFLECTIVE WHITE BACKGROUND WITH BLACK LEGEND AND BORDER

CONSTRUCTION AREA SIGNS
 NO SCALE
CS-1

BORDER LAST REVISED 7/2/2010

USERNAME => garrettm
 DGN FILE => S:\client\El Dorado\E01-01-MOFLAT PS&E Phase 1B\Phase 1B_2_8\ike Path\Revisions\CH05\CAD\e213r\1a001.dgn



DATE PLOTTED => 3/14/2016
 TIME PLOTTED => 9:59:54 AM

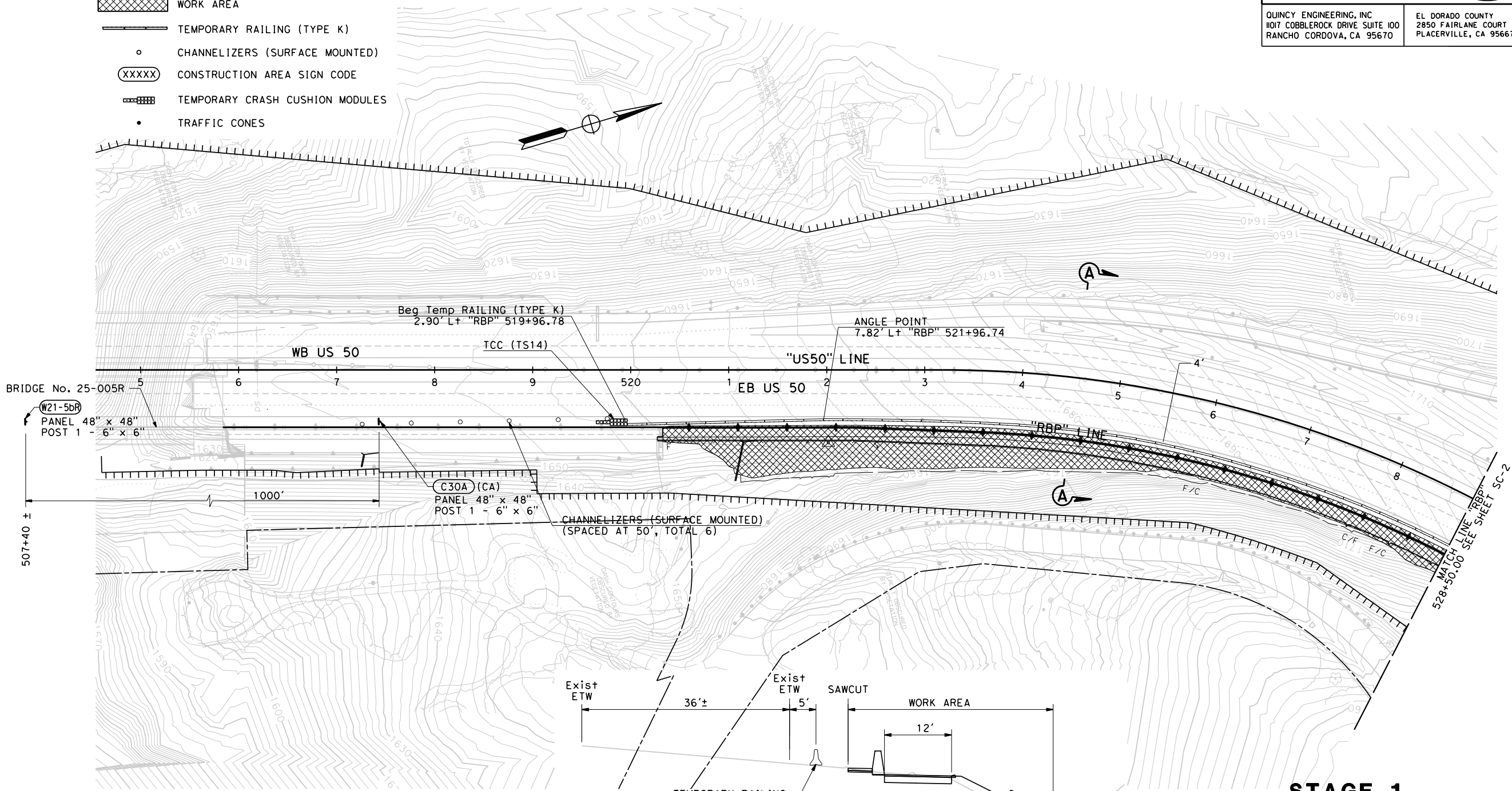
XX	XX	XX	XX	XX	XX	XX	XX	XX	XX
REVISOR	DATE	REVISION	BY	DATE	REVISION	BY	DATE	REVISION	BY
BENJAMIN GRIMM			GARRETT MCLAUGHLIN						
CHECKED BY	DESIGNED BY	DESIGNED BY	DESIGNED BY	DESIGNED BY	DESIGNED BY	DESIGNED BY	DESIGNED BY	DESIGNED BY	DESIGNED BY
JOHN QUINCY									
CONSULTANT	FUNCTIONAL SUPERVISOR	DESIGNED BY	DESIGNED BY	DESIGNED BY	DESIGNED BY	DESIGNED BY	DESIGNED BY	DESIGNED BY	DESIGNED BY
STATE OF CALIFORNIA - DEPARTMENT OF TRANSPORTATION									
Ed Gibbons									

NOTES:
 1. THIS PLAN ACCURATE FOR STAGE CONSTRUCTION AND TRAFFIC HANDLING ONLY.
 2. STATION AND OFFSETS OF TEMPORARY RAILING (TYPE K) ARE LOCATED AT THE CENTERLINE OF RAILING.

- LEGEND:**
- DIRECTION OF TRAFFIC
 - R/W ACCESS CONTROL
 - WORK AREA
 - TEMPORARY RAILING (TYPE K)
 - CHANNELIZERS (SURFACE MOUNTED)
 - CONSTRUCTION AREA SIGN CODE
 - TEMPORARY CRASH CUSHION MODULES
 - TRAFFIC CONES

ABBREVIATIONS:
 TCC (TXXX) TEMPORARY CRASH CUSHION SAND FILLED (ARRAY TYPE)

Dist	COUNTY	ROUTE	POST MILES TOTAL PROJECT	SHEET No.	TOTAL SHEETS
03	ED	50	15.5/15.8	17	29
Garrett McLaughlin		05/29/15			
REGISTERED CIVIL ENGINEER		DATE			
May 29, 2015		PLANS APPROVAL DATE			
Garrett McLaughlin		REGISTERED PROFESSIONAL ENGINEER			
No. C67687		STATE OF CALIFORNIA			
Exp. 06/30/17		CIVIL			
THE STATE OF CALIFORNIA OR ITS OFFICERS OR AGENTS SHALL NOT BE RESPONSIBLE FOR THE ACCURACY OR COMPLETENESS OF SCANNED COPIES OF THIS PLAN SHEET.					
QUINCY ENGINEERING, INC 11017 COBBLEROCK DRIVE SUITE 100 RANCHO CORDOVA, CA 95670			EL DORADO COUNTY 2850 FAIRLANE COURT PLACERVILLE, CA 95667		



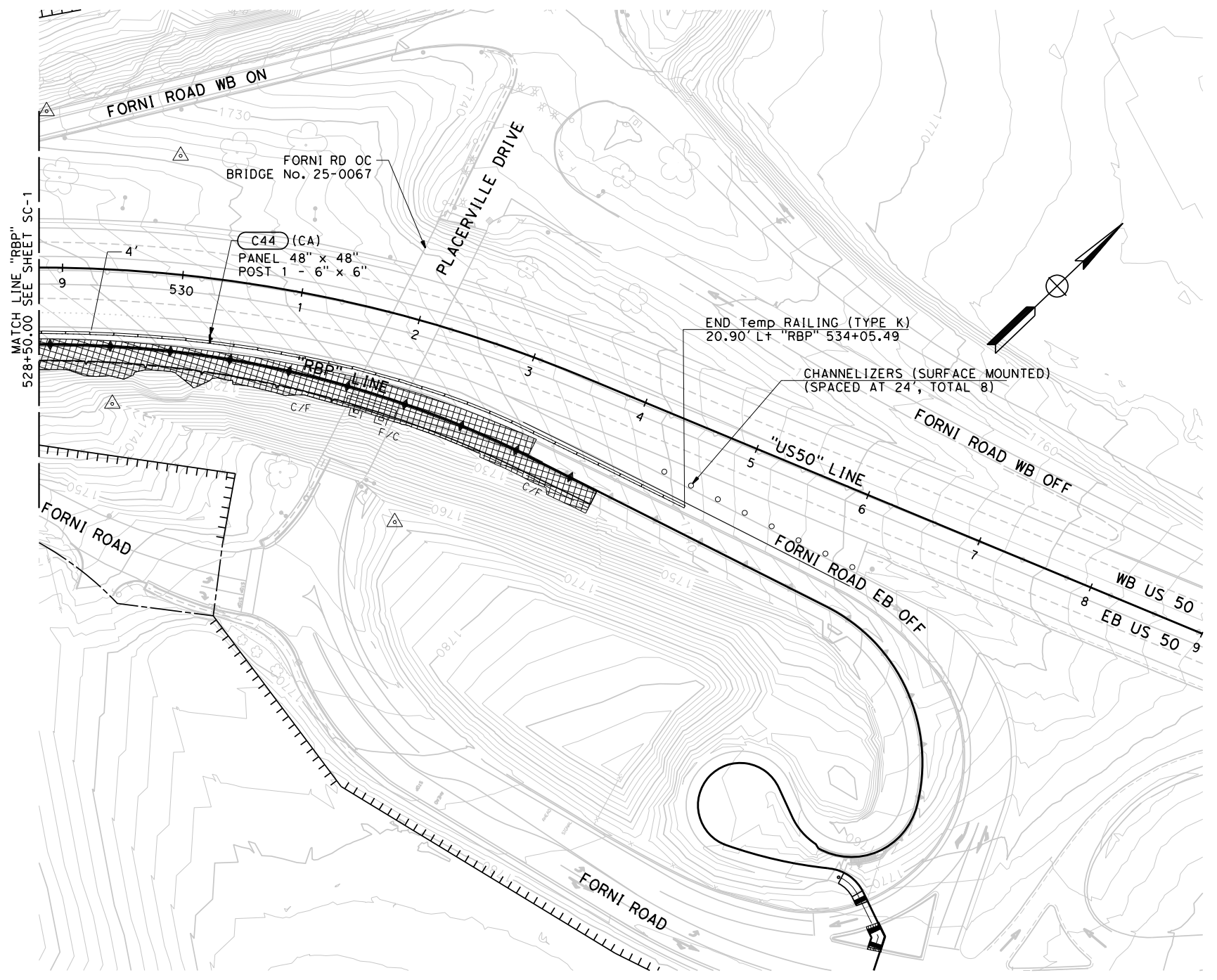
**STAGE 1
 STAGE CONSTRUCTION AND
 TRAFFIC HANDLING PLAN**
 SCALE: 1"=50'
SC-1

DATE PLOTTED => 3/14/2016
 TIME PLOTTED => 9:59:56 AM
 LAST REVISION 00-00-00

STATE OF CALIFORNIA - DEPARTMENT OF TRANSPORTATION Caltrans	CONSULTANT FUNCTIONAL SUPERVISOR	CHECKED BY	DESIGNED BY	REVISOR	DATE
	JOHN QUINCY	GARRETT MCLAUGHLIN	BENJAMIN GRIMM	XX	XX
				XX	XX
				XX	XX

NOTES:

1. THIS PLAN ACCURATE FOR STAGE CONSTRUCTION AND TRAFFIC HANDLING ONLY.
2. STATION AND OFFSETS OF TEMPORARY RAILING (TYPE K) ARE LOCATED AT THE CENTERLINE OF RAILING.



Dist	COUNTY	ROUTE	POST MILES TOTAL PROJECT	SHEET No.	TOTAL SHEETS
03	ED	50	15.5/15.8	18	29

Garrett McLaughlin 05/29/15
REGISTERED CIVIL ENGINEER DATE

May 29, 2015
PLANS APPROVAL DATE

Garrett McLaughlin
No. C67687
Exp. 06/30/17
REGISTERED PROFESSIONAL ENGINEER
CIVIL
STATE OF CALIFORNIA

QUINCY ENGINEERING, INC
11017 COBBLEROCK DRIVE SUITE 100
RANCHO CORDOVA, CA 95670

EL DORADO COUNTY
2850 FAIRLANE COURT
PLACERVILLE, CA 95667

**STAGE 1
STAGE CONSTRUCTION AND
TRAFFIC HANDLING PLAN**

SCALE: 1"=50'

SC-2

BORDER LAST REVISED 7/2/2010

USERNAME => garrettm
DGN FILE => S:\client\El Dorado\01-501-01-MOFLAT PS&E Phase 1B\Phase 1B_2_1.dgn
RELATIVE BORDER SCALE
0 1 2 3

DATE PLOTTED => 3/14/2016
TIME PLOTTED => 9:59:57 AM

STATE OF CALIFORNIA - DEPARTMENT OF TRANSPORTATION Caltrans	CONSULTANT FUNCTIONAL SUPERVISOR	JOHN QUINCY
	CALCULATED-DESIGNED BY	CHECKED BY
	BENJAMIN GRIMM	GARRETT MCLAUGHLIN
	REVISOR	DATE
XX	XX	XX/XX/XX
XX	XX	XX/XX/XX
XX	XX	XX/XX/XX

- NOTES:**
1. THIS PLAN ACCURATE FOR STAGE CONSTRUCTION AND TRAFFIC HANDLING ONLY.
 2. LANE AND RAMP CLOSURES ARE ALLOWED PER THE PROJECT SPECIAL PROVISIONS.
 3. LANE AND RAMP CLOSURES SHALL BE PLACED PER CALTRANS STANDARD PLANS.
 4. FOR DETOUR SEE DETOUR PLAN DE-1.

Dist	COUNTY	ROUTE	POST MILES TOTAL PROJECT	SHEET No.	TOTAL SHEETS
03	ED	50	15.5/15.8	19	29

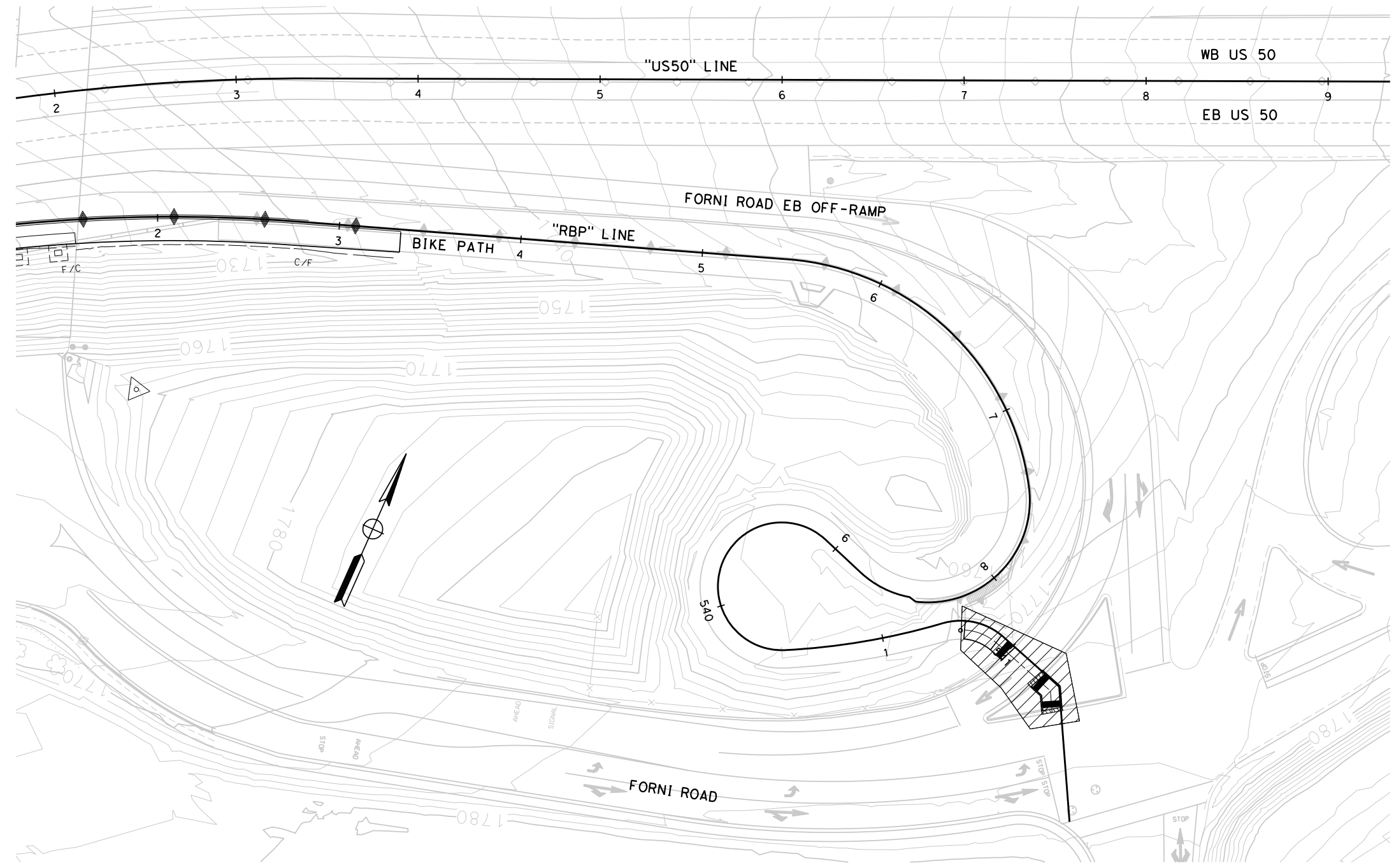
Garrett McLaughlin 05/29/15
REGISTERED CIVIL ENGINEER DATE

May 29, 2015
PLANS APPROVAL DATE

Garrett McLaughlin
No. C67687
Exp. 06/30/17
CIVIL
STATE OF CALIFORNIA

QUINCY ENGINEERING, INC
11017 COBBLEROCK DRIVE SUITE 100
RANCHO CORDOVA, CA 95670

EL DORADO COUNTY
2850 FAIRLANE COURT
PLACERVILLE, CA 95667

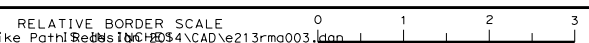


- CONSTRUCTION AREA

**STAGE 2
STAGE CONSTRUCTION**
SCALE: 1"=30'
SC-3

BORDER LAST REVISED 7/2/2010

USERNAME => garrettm
DGN FILE => S:\client\El Dorado\01-501-01-MOFLAT PS&E Phase 1B\Phase 1B_2_Bike Path\Revisions\CH034\CAD\e213rma003.dgn

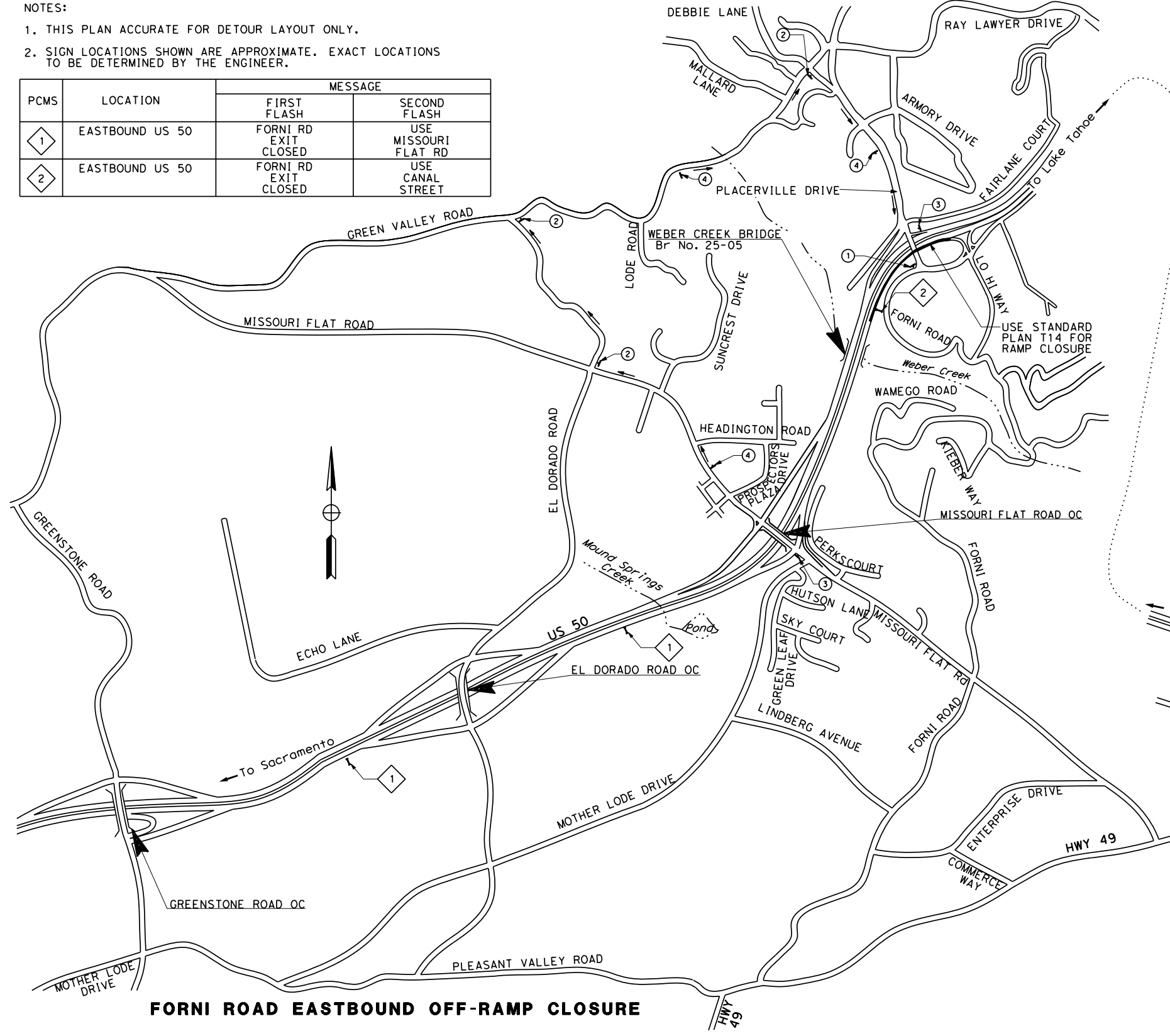


DATE PLOTTED => 3/14/2016
TIME PLOTTED => 9:59:58 AM

STATE OF CALIFORNIA - DEPARTMENT OF TRANSPORTATION
Garrett
 XX XX XX/XX/XX
 XX XX XX/XX/XX
 XX XX XX/XX/XX
 REVISOR: BENJAMIN GRIMM
 CHECKED BY: GARRETT MCLAUGHLIN
 DESIGNED BY: JOHN QUINCY
 SUPERVISOR: JOHN QUINCY
 TRANSPORTATION

NOTES:
 1. THIS PLAN ACCURATE FOR DETOUR LAYOUT ONLY.
 2. SIGN LOCATIONS SHOWN ARE APPROXIMATE. EXACT LOCATIONS TO BE DETERMINED BY THE ENGINEER.

PCMS	LOCATION	MESSAGE	
		FIRST FLASH	SECOND FLASH
1	EASTBOUND US 50	FORNI RD EXIT CLOSED	USE MISSOURI FLAT RD
2	EASTBOUND US 50	FORNI RD EXIT CLOSED	USE CANAL STREET



Dist	COUNTY	ROUTE	POST MILES TOTAL PROJECT	SHEET No.	TOTAL SHEETS
03	ED	50	15.5/15.8	20	29

Garrett McLaughlin 05/29/15
 REGISTERED CIVIL ENGINEER DATE

May 29, 2015
 PLANS APPROVAL DATE

Garrett McLaughlin
 No. C67687
 Exp. 06/30/17
 CIVIL

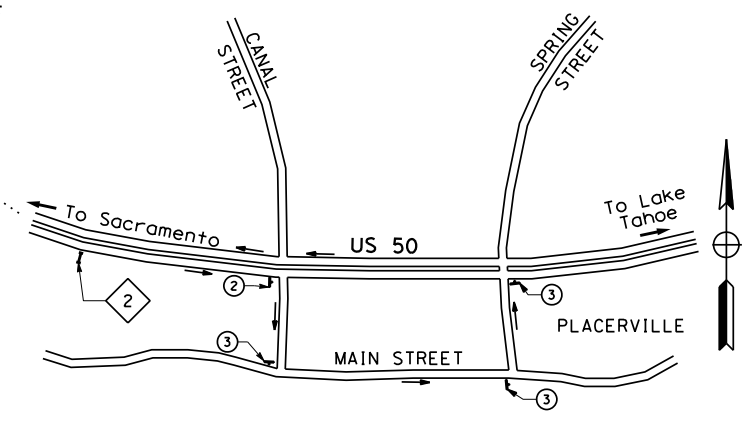
QUINCY ENGINEERING, INC
 11017 COBBLEROCK DRIVE SUITE 100
 RANCHO CORDOVA, CA 95670

EL DORADO COUNTY
 2850 FAIRLANE COURT
 PLACERVILLE, CA 95667

CONSTRUCTION AREA SIGNS (STATIONARY MOUNTED)*

SIGN No.	MUTCD SIGN CODE	SIGN MESSAGE	PANEL SIZE (IN X IN)	No. & SIZE OF POSTS (IN)	No. OF SIGNS
1	M4-8a	END DETOUR	24 x 18	1 - 4 x 4	1
2	M4-8	DETOUR	24 x 12	1 - 4 x 6	4
	M6-1 (R+)	"ARROW RIGHT"	21 x 15		
3	M4-8	DETOUR	24 x 12	1 - 4 x 6	5
	M6-1 (L+)	"ARROW LEFT"	21 x 15		
4	M4-8	DETOUR	24 x 12	1 - 4 x 6	3
	M6-3	"ARROW UP"	21 x 15		
SUBTOTAL					13

* FOR ADDITIONAL CONSTRUCTION AREA SIGNS, SEE CONSTRUCTION AREA SIGNS SHEET AND TRAFFIC HANDLING PLANS.



LEGEND

- DIRECTION OF DETOUR
- ⊠ CONSTRUCTION AREA SIGN
- ⊕ CONSTRUCTION AREA SIGN No.
- ⊠ PCMS
- ⊠ PCMS No.
- WORK AREA

ABBREVIATIONS

PCMS - PORTABLE CHANGEABLE MESSAGE SIGN

DETOUR PLAN

NO SCALE

DE-1

BORDER LAST REVISED 7/2/2010

USERNAME => garrettm
 DGN FILE => S:\client\El Dorado\E01-501-01-MOFLAT PS&E Phase 1B\Phase 1B_2016\16-0485 3C 20.dgn
 RELATIVE BORDER SCALE
 0 1 2 3

DATE PLOTTED => 3/14/2016
 TIME PLOTTED => 9:59:59 AM
 LAST REVISION 00-00-00

STATE OF CALIFORNIA - DEPARTMENT OF TRANSPORTATION Caltrans	CONSULTANT FUNCTIONAL SUPERVISOR	JOHN QUINCY	CHECKED BY	GARRETT McLAUGHLIN	DESIGNED BY	BENJAMIN GRIMM	REVISOR	DATE	REVISION
	REVISOR	DATE	REVISION	DATE	REVISION	DATE	REVISION	DATE	REVISION
	REVISOR	DATE	REVISION	DATE	REVISION	DATE	REVISION	DATE	REVISION
	REVISOR	DATE	REVISION	DATE	REVISION	DATE	REVISION	DATE	REVISION

NOTES:

1. THIS PLAN ACCURATE FOR PAVEMENT DELINEATION AND SIGN WORK ONLY.
2. SIGN LOCATED RIGHT OF BIKE PATH.
3. CONFRIM SIGN PANEL HEIGHT AND OFFSET, PER CALTRANS Std Pin RS1.

- LEGEND:**
- (No.) PAVEMENT DELINEATION DETAIL NUMBER
 - (BC) BIKE PATH CENTER LINE
 - CHANGE IN STRIPING DETAIL
 - LL LIMIT LINE
 - XW CROSS WALK
 - ◇ DIAMOND (YELLOW STRIPE)
 - S "STOP" (THERMOPLASTIC PAVEMENT MARKING)
 - ROADSIDE SIGN (ONE POST)
 - ROADSIDE SIGN (TWO POST)
 - (CA) CALIFORNIA SIGN CODE
 - ▲ EXISTING SIGN TO REMAIN
 - REMOVE ROADSIDE SIGN
 - ROADSIDE SIGN (SHEET NUMBER - SIGN NUMBER)
 - TYPE II ARROW (THERMOPLASTIC PAVEMENT MARKING)
 - TYPE III ARROW (THERMOPLASTIC PAVEMENT MARKING)
 - CONCRETE BARRIER DELINEATOR, 16-INCH (TYPE F)
 - ▽ OBJECT MARKER TYPE L-1 (CA)

Dist	COUNTY	ROUTE	POST MILES TOTAL PROJECT	SHEET No.	TOTAL SHEETS
03	ED	50	15.5/15.8	21	29

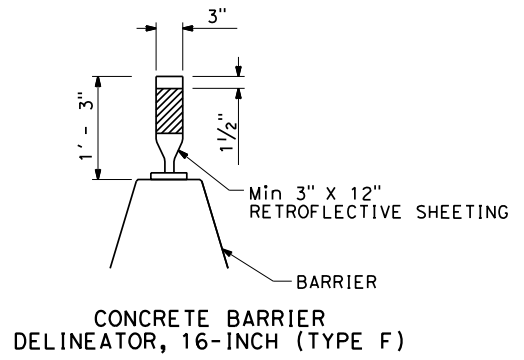
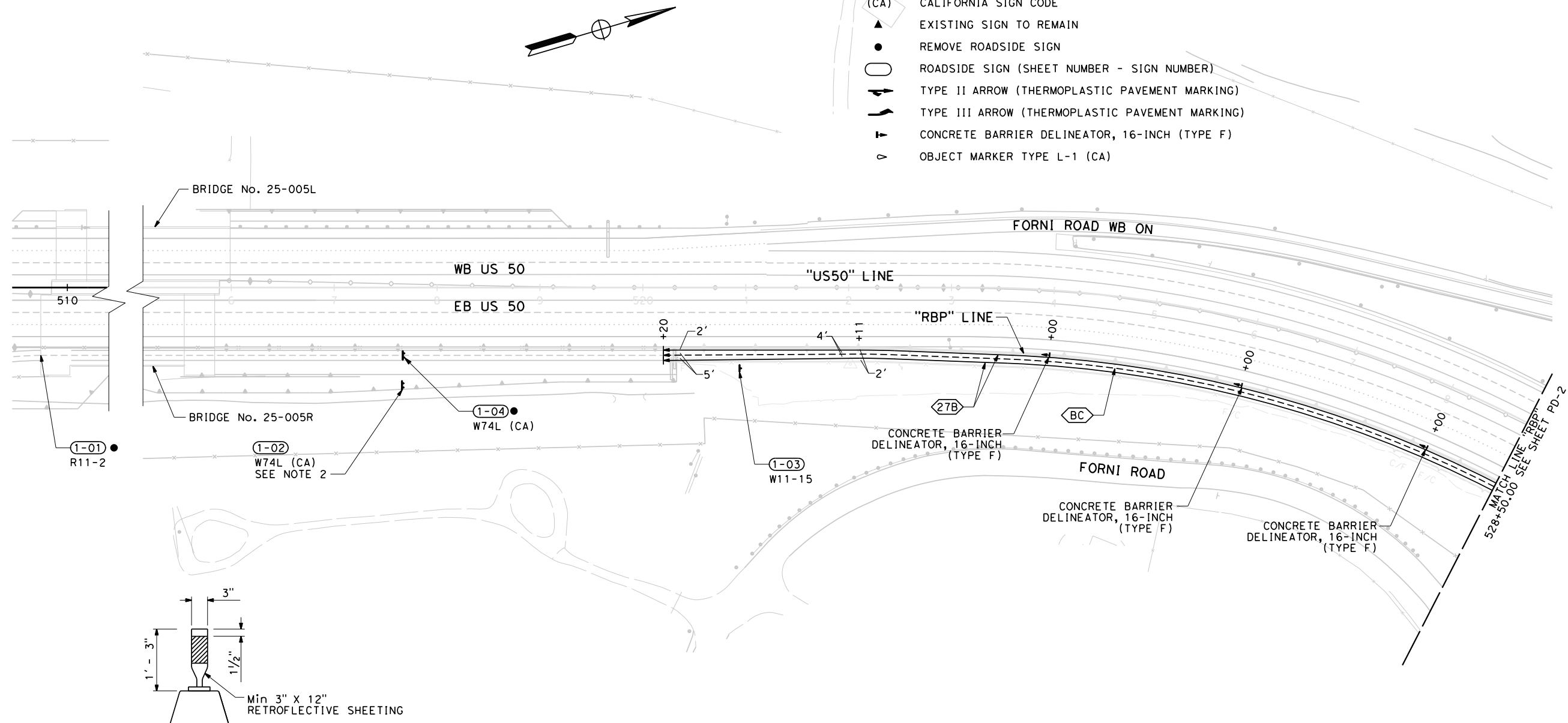
Garrett McLaughlin 05/29/15
REGISTERED CIVIL ENGINEER DATE

May 29, 2015
PLANS APPROVAL DATE

Garrett McLaughlin
No. C67687
Exp. 06/30/17
CIVIL
STATE OF CALIFORNIA

QUINCY ENGINEERING, INC
11017 COBBLEROCK DRIVE SUITE 100
RANCHO CORDOVA, CA 95670

EL DORADO COUNTY
2850 FAIRLANE COURT
PLACERVILLE, CA 95667



PAVEMENT DELINEATION AND SIGN PLAN
SCALE: 1"=50'
PD-1

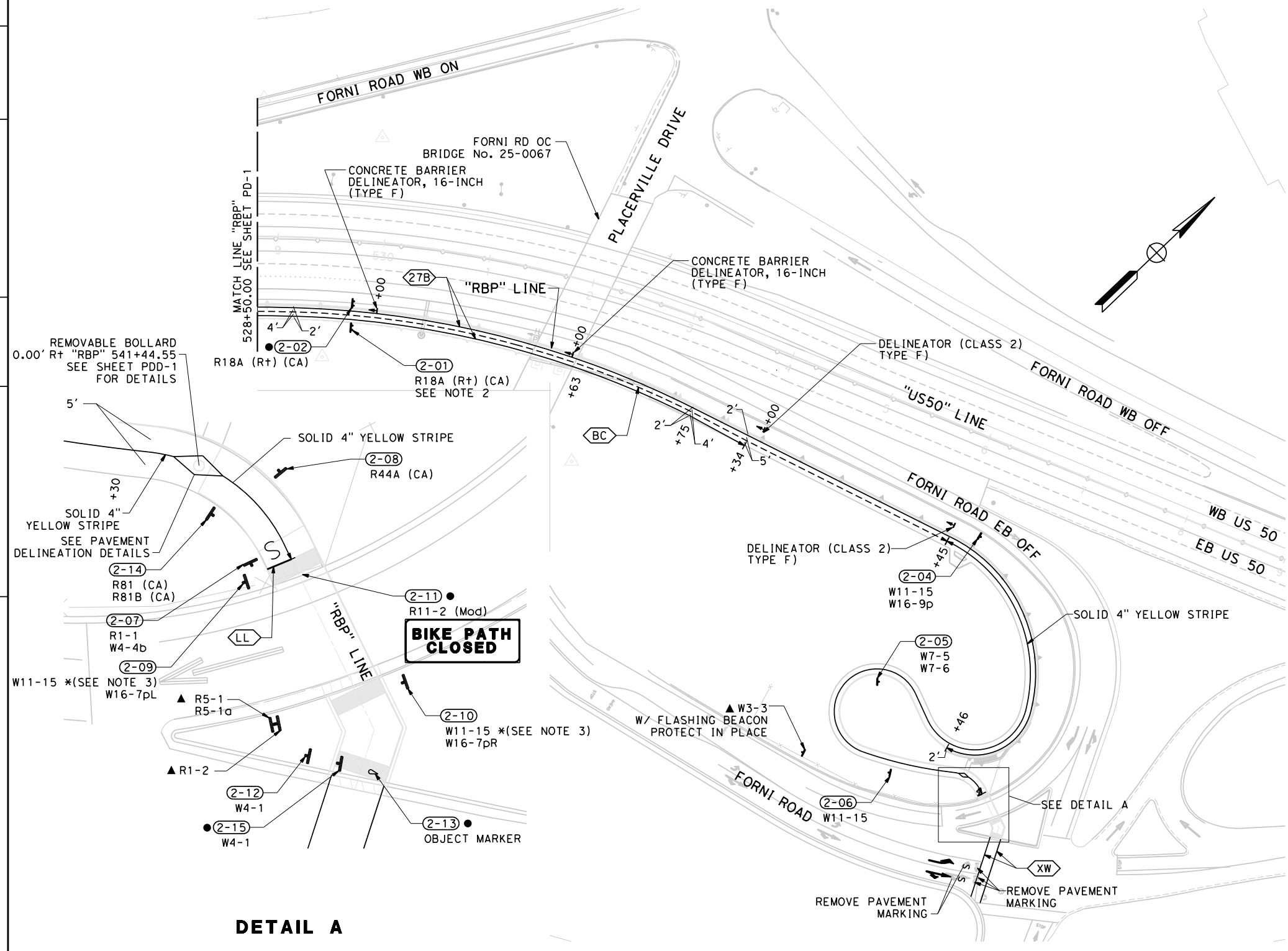
DATE PLOTTED => 3/14/2016
TIME PLOTTED => 10:00:01 AM
LAST REVISION 00-00-00

XX	XX	XX	XX	XX	XX
XX/XX/XX	XX/XX/XX	XX/XX/XX	XX/XX/XX	XX/XX/XX	XX/XX/XX
REVISOR	DATE	BY	REASON	DATE	BY
BENJAMIN GRIMM		GARRETT MCLAUGHLIN			
CHECKED BY	DESIGNED BY	DESIGNED BY	DESIGNED BY	DESIGNED BY	DESIGNED BY
JOHN QUINCY					
CONSULTANT	FUNCTIONAL SUPERVISOR	DESIGNED BY	DESIGNED BY	DESIGNED BY	DESIGNED BY
STATE OF CALIFORNIA - DEPARTMENT OF TRANSPORTATION					
Ed Gibbons					

NOTES:

1. THIS PLAN ACCURATE FOR PAVEMENT DELINEATION AND SIGN WORK ONLY.
2. SIGN LOCATED RIGHT OF BIKE PATH.
3. SIGN W11-15 SHALL HAVE SYNCHRONIZED HIGH-INTENSITY LED WARNING LIGHTS INCORPORATED INTO SIGN. SIGNS MUST BE SOLAR POWERED AND ONLY FLASH WHEN ACTIVATED BY PUSH BUTTON. TO BE PAID AS SOLAR POWERED SIGN AND BE BLINKERSIGN, W11-15, BIKE / PED XING, DG3, FYG, SOLAR, AND AMBER LEDS OR SIMILAR AS APPROVED BY RE. POSTS PER STD PLAN ES-7A, DETAIL C.

Dist	COUNTY	ROUTE	POST MILES TOTAL PROJECT	SHEET No.	TOTAL SHEETS
03	ED	50	15.5/15.8	22	29
Garrett McLaughlin		05/29/15			
REGISTERED CIVIL ENGINEER		DATE			
May 29, 2015		PLANS APPROVAL DATE			
Garrett McLaughlin		REGISTERED PROFESSIONAL ENGINEER			
No. C67687		Exp. 06/30/17			
CIVIL		STATE OF CALIFORNIA			
QUINCY ENGINEERING, INC 11017 COBBLEROCK DRIVE SUITE 100 RANCHO CORDOVA, CA 95670			EL DORADO COUNTY 2850 FAIRLANE COURT PLACERVILLE, CA 95667		



REMOVABLE BOLLARD
0.00' Rt "RBP" 541+44.55
SEE SHEET PDD-1
FOR DETAILS

5'
SOLID 4" YELLOW STRIPE
SEE PAVEMENT
DELINEATION DETAILS

(2-14)
R81 (CA)
R81B (CA)

(2-07)
R1-1
W4-4b

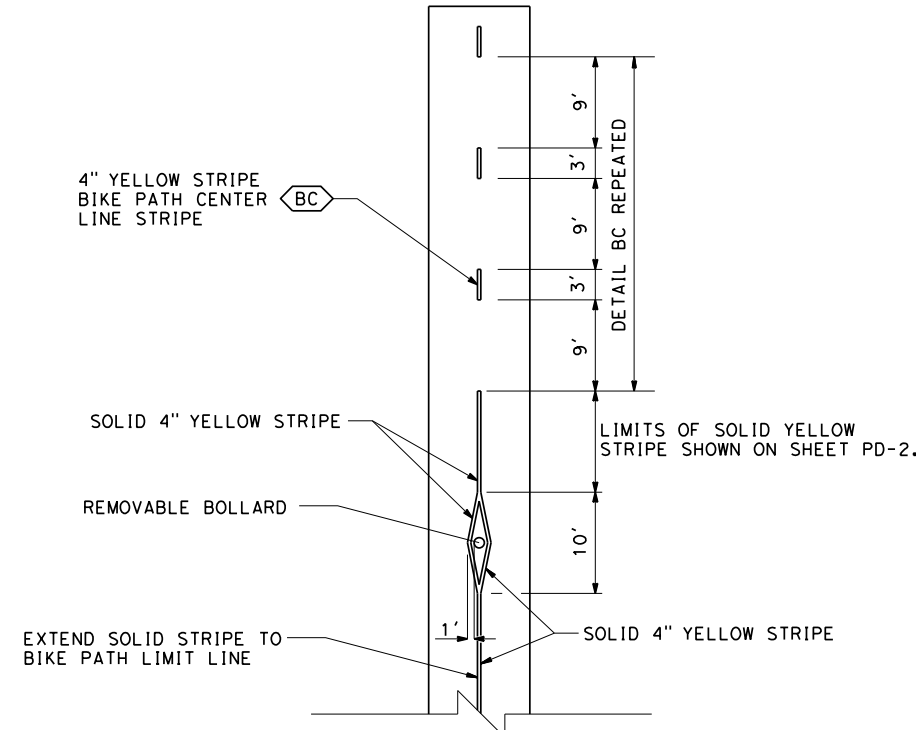
(2-09)
W11-15 *(SEE NOTE 3)
W16-7pL

DETAIL A

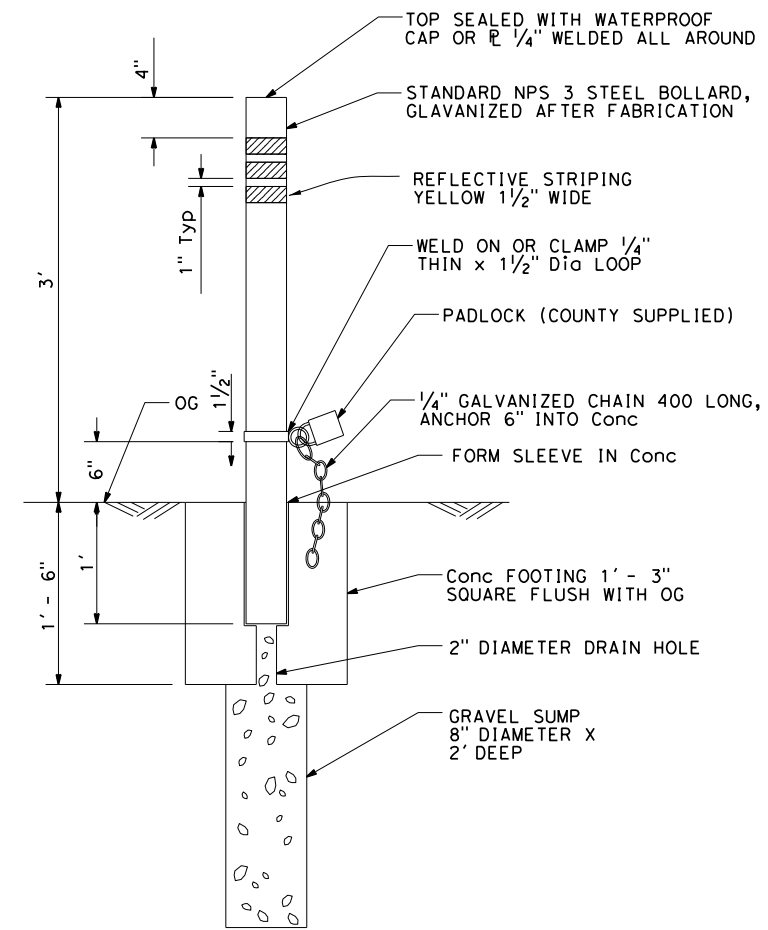
PAVEMENT DELINEATION AND SIGN PLAN
SCALE: 1"=50'
PD-2

Dist	COUNTY	ROUTE	POST MILES TOTAL PROJECT	SHEET No.	TOTAL SHEETS
03	ED	50	15.5/15.8	23	29

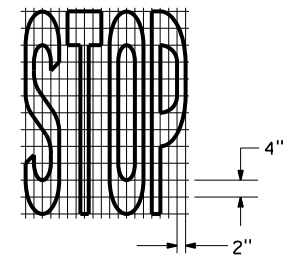
<i>Garrett McLaughlin</i> REGISTERED CIVIL ENGINEER	05/29/15 DATE
May 29, 2015 PLANS APPROVAL DATE	
<small>THE STATE OF CALIFORNIA OR ITS OFFICERS OR AGENTS SHALL NOT BE RESPONSIBLE FOR THE ACCURACY OR COMPLETENESS OF SCANNED COPIES OF THIS PLAN SHEET.</small>	
QUINCY ENGINEERING, INC 11017 COBBLEROCK DRIVE SUITE 100 RANCHO CORDOVA, CA 95670	EL DORADO COUNTY 2850 FAIRLANE COURT PLACERVILLE, CA 95667



PLAN
BIKE PATH AND BARRIER POST STRIPING



SECTION
REMOVABLE BOLLARD DETAIL
STA "RBP" 541+44.55
(SEE SHEET PD-2 FOR BOLLARD LOCATION)



BIKE PATH AND BARRIER POST STRIPING
A= 11 ft²

**PAVEMENT DELINEATION
DETAILS**
NO SCALE
PDD-1

STATE OF CALIFORNIA - DEPARTMENT OF TRANSPORTATION	CONSULTANT FUNCTIONAL SUPERVISOR	CALCULATED-DESIGNED BY	REVISOR	DATE	XX/XX/XX	XX	XX	XX	XX
Ed Gibbons	JOHN QUINCY	DESIGNED BY	BENJAMIN GRIMM	REVISOR	XX/XX/XX	XX	XX	XX	XX
		CHECKED BY	GARRETT MCLAUGHLIN	DATE REVISED	XX/XX/XX	XX	XX	XX	XX

BORDER LAST REVISED 7/2/2010

USERNAME => garrettm
 DGN FILE => S:\client\El Dorado\01-501-01-MOFLAT PS&E Phase 1B\Phase 1B_2_01\Bike Path\Revisions\16-0485 3C\16-0485 3C.dgn
 RELATIVE BORDER SCALE 0 1 2 3

DATE PLOTTED => 3/14/2016
 TIME PLOTTED => 10:00:03 AM
 LAST REVISION 00-00-00

Dist	COUNTY	ROUTE	POST MILES TOTAL PROJECT	SHEET NO.	TOTAL SHEETS
03	ED	50	15.5/15.8	24	29

Garrett McLaughlin 05/29/15
REGISTERED CIVIL ENGINEER DATE

May 29, 2015
PLANS APPROVAL DATE

Garrett McLaughlin
REGISTERED PROFESSIONAL ENGINEER
No. C67687
Exp. 06/30/17
CIVIL
STATE OF CALIFORNIA

THE STATE OF CALIFORNIA OR ITS OFFICERS OR AGENTS SHALL NOT BE RESPONSIBLE FOR THE ACCURACY OR COMPLETENESS OF SCANNED COPIES OF THIS PLAN SHEET.

QUINCY ENGINEERING, INC
11017 COBBLEROCK DRIVE SUITE 100
RANCHO CORDOVA, CA 95670

EL DORADO COUNTY
2850 FAIRLANE COURT
PLACERVILLE, CA 95667

EARTHWORK SUMMARY

STATION	ROADWAY EXCAVATION	EMBANKMENT (N)	IMPORTED BORROW
	CY		
"RBP" 520+27.50 TO 533+34.55	1399	522	0
"RBP" 541+47.20 TO 541+76.73	3		
"RBP" 541+67.51 TO 542+26.09	5		
TOTAL	1407	522	0

ROADWAY SUMMARY

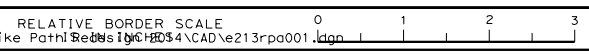
SHEET No.	LOCATION	STATION LIMITS	MINOR CONCRETE																							
			CLASS 2 AGGREGATE BASE CY	HOT MIX ASPHALT (TYPE A) TON	TACK COAT TON	PLACE HOT MIX ASPHALT (MISCELLANEOUS AREA) SQYD	CONCRETE BARRIER (TYPE 60C Mod) LF	CONCRETE BARRIER DELINEATOR, 16-INCH (TYPE F) EA	DELINEATOR (CLASS 2) (TYPE F) EA	DETECTABLE WARNING SURFACE SQFT	REMOVABLE BOLLARD EA	CHAIN LINK FENCE (TYPE CL-6) LF	16' CHAIN LINK FENCE GATE (TYPE CL-6) EA	SALVAGE CHAIN LINK GATE EA	SALVAGE FENCE LF	FENCE RAILING LF	HMA DIKE (TYPE E) LF	HMA DIKE (TYPE C) LF	CURB							
																			GUTTER CY	TEXTURED PAVING CY	CURB RAMP CY	(TYPE A2-8 Mod) (TYPE A1-6)	(TYPE A1-6)			
L-1	RBP	520+27.07 TO 520+32.76		1																						
L-1	RBP	520+32.76 TO 522+10.82	103	52	0.02																					
L-1, L-2	RBP	522+10.82 TO 531+12.19	415	428	0.12																					
L-1, L-2	RBP	522+00.00 TO 532+83.56	70																			101.0				
C-2	RBP	531+12.19 TO 531+54.12	44	80	0.01																			2.6		
L-2	RBP	531+54.12 TO 533+34.55	165	156	0.02																					
C-3	RBP	541+47.20 TO 541+78.43	13	26	0.01																					
C-3	RBP	541+97.51 TO 542+01.16		1		2																				
C-3	RBP	542+22.39 TO 542+26.09		1		2																				
L-1	RBP	520+27.07 TO 525+80.15									550															
L-1	US50	497+80.76 TO 497+84.80											1													
L-1	US50	509+74.17 TO 509+74.17											1													
L-2	RBP	537+94.45 TO 539+94.30											1	318												
L-2	RBP	527+45.00 TO 531+12.19										1			351											
L-1, L-2	RBP	525+80.15 TO 531+12.19																			17					
C-3	RBP	542+01.16 TO 542+22.39																							0.6	
C-3	RBP	542+00.13 TO 542+24.17																							0.4	
L-1, L-2	RBP	520+32.76 TO 533+34.55		31			1,302																			
L-1, L-2	US50	524+00.00 TO 532+00.00						5																		
L-2	US50	534+00.00 TO 536+00.00							2																	
C-3	RBP	541+44.55 TO 542+22.15									1															
C-3	RBP	541+98.84 TO 542+22.15	4																				1.8			
C-3	RBP	541+73.73 TO 542+22.15									90															
L-1	RBP	520+27.07 TO 525+80.15		4																553						
L-1	RBP	517+25.15 TO 517+43.15		0														18								
FROM DRAINAGE				0.2		14																				
SUBTOTAL			813	781	0.2	19	1,302	5	2	90	1	550	1	3	318	351	18	553	17	101	2	3	1			
TOTAL			813	781	0.2	19	1,302	5	2	90	1	550	1	3	318	351	18	553	17	101	2	3	1			

SUMMARY OF QUANTITIES
NO SCALE **Q-1**

(N) NOT A SEPARATE PAY ITEM, FOR INFORMATION ONLY

BORDER LAST REVISED 7/2/2010

USERNAME => garrettm
DGN FILE => S:\client\El Dorado\E01-501-01-MOFLAT PS&E Phase 1B\Phase 1B_2_1.dgn



DATE PLOTTED => 3/14/2016
TIME PLOTTED => 10:00:04 AM

STATE OF CALIFORNIA - DEPARTMENT OF TRANSPORTATION
Gilbert
 CONSULTANT FUNCTIONAL SUPERVISOR JOHN QUINCY
 CALCULATED-DESIGNED BY CHECKED BY
 BENJAMIN GRIMM GARRETT MCLAUGHLIN
 REVISED BY DATE REVISED
 XX/XX/XX XX/XX/XX
 XX/XX/XX XX/XX/XX

REMOVAL ITEMS

SHEET	LOCATION	REMOVE ASPHALT CONCRETE DIKE	REMOVE CONCRETE BARRIER	REMOVE CONCRETE (CURB & GUTTER)	SALVAGE CONCRETE BARRIER (TYPE K)
		LF	LF	LF	LF
L-1	"RBP" 517+25.15 TO 517+42.86	18			
L-1	"RBP" 520+27.50 TO 525+55.41	527			
L-1, L-2	"RBP" 520+32.76 TO 532+83.58	1256			
L-2	"RBP" 532+33.63 TO 533+34.55		101		
C-3	"RBP" 541+97.51 TO 541+98.84			11	
C-3	"RBP" 542+26.09 TO 542+24.78			11	
L-2	"RBP" 530+16.24 TO 531+12.19				100
L-2	"RBP" 531+71.47 TO 532+33.63				80
TOTAL		1,802	101	22	180

TRAFFIC HANDLING QUANTITIES

SHEET No.	LOCATION	TEMPORARY RAILING (TYPE K)	TEMPORARY CRASH CUSHION MODULE	CHANNELIZER (SURFACE MOUNTED)
		LF	EA	EA
SC-1	"RBP" 517+25.00 TO 519+96.78			6
SC-1	"RBP" 519+96.78		14	
SC-1, SC-2	"RBP" 519+96.78 TO 534+05.49	1,420		
SC-2	"RBP" 533+75.00 TO 535+43.00			8
TOTAL		1,420	14	14

EROSION CONTROL

SHEET	DESCRIPTION	HYDROSEED	FIBER ROLLS	ROLLED EROSION CONTROL PRODUCT (BLANKET)	TEMPORARY CHECK DAM
		SQFT	LF	SQFT	LF
EC-1	"RBP" 520+32.76 TO 528+50.00	10,010	2,975		
EC-2	"RBP" 528+50.00 TO 533+34.55	1,579	340		
EC-1, EC-2	"RBP" 520+32.76 TO 533+34.55			11,590	
EC-2	"RBP" 521+80.00				12
EC-2	"RBP" 523+20.00				12
EC-2	"RBP" 524+80.00				12
TOTAL		11,589	3,315	11,590	36

DRAINAGE QUANTITIES

DRAINAGE PLAN SHEET	DRAINAGE SYSTEM	DRAINAGE UNIT No.	STATION	OFFSET	Misc IRON AND STEEL	MINOR CONCRETE (MINOR STRUCTURE)	ADJUST INLET TO GRADE	ADJUST PIPE INLET TO GRADE	12" REINFORCED CONCRETE PIPE	12" CORRUGATED STEEL PIPE DOWNDRAIN (.079" THICK)	12" ANCHOR ASSEMBLY	12" ENTRANCE TAPER	PLACE HOT MIX ASPHALT (MISCELLANEOUS AREA) *	HOT MIX ASPHALT (TYPE A) *	REMOVE ROCK LINED DITCH	RSP (No. 1, METHOD B)	RSP FABRIC (CLASS 8)	DESCRIPTION
					LB	CY	EA	EA	LF	LF	EA	EA	SQYD	TON	LF	CY	SQYD	
D-1	1	a	"RBP" 517+28.15	Rt						12	4	1						CSP DOWNDRAIN W/ TEE DISSIPATOR & ANCHORS
D-1	2	a	"RBP" 521+12.56 TO 525+80.00	Rt												138	402	ROCK LINED DITCH
D-1	2	b	"RBP" 521+05.19 TO 531+16.78	Rt											1,003			REMOVE ROCK LINED DITCH
D-1	2	c	"RBP" 521+14.94	Rt					44	6	1							CSP DOWNDRAIN W/ TEE DISSIPATOR & ANCHORS
DD-2	3	a	"RBP" 526+90.16	Lt	326	0.4												CUSTOM DI WITH GRATE TYPE 24-12
DD-2	4	a	"RBP" 529+06.32	Lt	326	0.6												CUSTOM DI WITH GRATE TYPE 24-12
DD-2	4	b	"RBP" 529+06.32	Lt	326		1											ADJUST G2 INLET TO GRADE WITH GRATE TYPE 24-12
DD-2	5	a	"RBP" 530+02.19	Rt	326	1.0												G1 DI GRATE TYPE 24-12
DD-2	5	b							17									12" RCP
DD-2	5	c	"RBP" 529+96.17	Lt	326	1.9												G2 DI GRATE TYPE 24-12
DD-2	6	a	"RBP" 530+60.64	Lt	326	1.0												CUSTOM DI WITH GRATE TYPE 24-12
DD-2	6	b	"RBP" 530+60.64	Lt	326		1											ADJUST G2 INLET TO GRADE WITH GRATE TYPE 24-12
D-2	7	a	"RBP" 531+65.58	Rt			1											ADJUST GCP TO GRADE
DD-2			"RBP" 529+97.29 TO 530+16.36										14	0.2				HMA FOR OVERHEAD SIGN
TOTAL					2,282	5	2	1	17	56	10	2	14	0.2	1,003	138	402	

*FOR TOTAL QUANTITIES, SEE ROAD SUMMARY

SUMMARY OF QUANTITIES

NO SCALE

Q-2

Dist	COUNTY	ROUTE	POST MILES TOTAL PROJECT	SHEET No.	TOTAL SHEETS
03	ED	50	15.5/15.8	25	29

Garrett McLaughlin 05/29/15
 REGISTERED CIVIL ENGINEER DATE

May 29, 2015
 PLANS APPROVAL DATE

THE STATE OF CALIFORNIA OR ITS OFFICERS OR AGENTS SHALL NOT BE RESPONSIBLE FOR THE ACCURACY OR COMPLETENESS OF SCANNED COPIES OF THIS PLAN SHEET.

QUINCY ENGINEERING, INC
 11017 COBBLEROCK DRIVE SUITE 100
 RANCHO CORDOVA, CA 95670

EL DORADO COUNTY
 2850 FAIRLANE COURT
 PLACERVILLE, CA 95667

Dist	COUNTY	ROUTE	POST MILES TOTAL PROJECT	SHEET No.	TOTAL SHEETS
03	ED	50	15.5/15.8	26	29

Garrett McLaughlin 05/29/15
 REGISTERED CIVIL ENGINEER DATE

May 29, 2015
 PLANS APPROVAL DATE

THE STATE OF CALIFORNIA OR ITS OFFICERS
 OR AGENTS SHALL NOT BE RESPONSIBLE FOR
 THE ACCURACY OR COMPLETENESS OF SCANNED
 COPIES OF THIS PLAN SHEET.

QUINCY ENGINEERING, INC
 11017 COBBLEROCK DRIVE SUITE 100
 RANCHO CORDOVA, CA 95670

EL DORADO COUNTY
 2850 FAIRLANE COURT
 PLACERVILLE, CA 95667

ROADSIDE SIGNS & MARKERS

SIGN No.	SIGN CODE		SIGN MESSAGE	POST SIZE & LENGTH (N)			ROADSIDE SIGN - ONE POST	ROADSIDE SIGN - TWO POST	REMOVE ROADSIDE SIGN	SOLAR POWERED SIGN *
	FEDERAL	CALIFORNIA		WOOD 4" X 4"	WOOD 4" X 6"	STEEL 2.5" NPS				
				LF	LF	LF				
1-01	R11-2		ROAD CLOSED							
1-02		W47L (CA)	THRU TRAFFIC MERGE LEFT		40			1		
1-03	W11-15		(SHARED USE PATH) BIKES / PEDS		18		1			
1-04		W47L (CA)	THRU TRAFFIC MERGE LEFT						1	
2-01		R18A (Rt) (CA)	RIGHT LANE MUST EXIT		36			1		
2-02		R18A (Rt) (CA)	RIGHT LANE MUST EXIT						1	
2-04	W11-15		(SHARED USE PATH) BIKES / PEDS		18		1			
	W16-9P		AHEAD							
2-05	W7-5		BICYCLE HILL		18		1			
	W7-6		HILL BLOCKS VIEW							
2-06	W11-15		(SHARED USE PATH) BIKES / PEDS		18		1			
2-07	R1-1		STOP		16		1			
	W4-4b		ONCOMING TRAFFIC DOES NOT STOP							
2-08		R44A (CA)	BIKE PATH NO MOTOR VEHICLES OR MOTORIZED BICYCLES	12			1			
2-09	W11-15		(SHARED USE PATH) BIKES / PEDS			18				1
	W16-7pL		DIAGONAL DOWNWARD ARROW							
2-10	W11-15		(SHARED USE PATH) BIKES / PEDS			18				1
	W16-7pR		DIAGONAL DOWNWARD ARROW							
2-11	R11-2 (Mod)		BIKE PATH CLOSED							1
2-12	W4-1		MERGE		15		1			
2-13		OBJECT MARKER TYPE L-1 (CA)								1
2-14		R81 (CA)	BIKE LANE	12			1			
		R81B (CA)	END							
2-15	W4-1		MERGE							1
TOTAL							8	2	6	2

(N) NOT A SEPARATE PAY ITEM, FOR INFORMATION ONLY.

NOTES:
 *1. SEE SHEET PD-2 (NOTE 3) FOR SOLAR POWERED SIGN.

SUMMARY OF QUANTITIES

NO SCALE **Q-3**

STATE OF CALIFORNIA - DEPARTMENT OF TRANSPORTATION

CONSULTANT FUNCTIONAL SUPERVISOR
 JOHN QUINCY

CHECKED BY
 GARRETT McLAUGHLIN

DESIGNED BY
 BENJAMIN GRIMM

REVISIONS
 XX XX XX XX XX XX XX XX XX XX

STATE OF CALIFORNIA - DEPARTMENT OF TRANSPORTATION
Ed Gibbons
 CONSULTANT FUNCTIONAL SUPERVISOR JOHN QUINCY
 CALCULATED-DESIGNED BY CHECKED BY
 BENJAMIN GRIMM GARRETT McLAUGHLIN
 REVISED BY DATE REVISED
 XX/XX/XX XX/XX/XX
 XX/XX/XX XX/XX/XX

SIGN PANEL SUMMARY

No. OF SIGNS	SIGN CODE		PANEL SIZE (L x D)		SIGN AREA SQFT	SINGLE FACED	BACKGROUND		LEGEND		PROTECTIVE OVERLAY PREMIUM	FURNISH SINGLE SHEET ALUMNUM SIGN (0.063" - UNFRAMED) - SQFT
	FEDERAL	CALIFORNIA	INCH x INCH				SHEETING G COLOR	RETROREFLECTIVE ASTM TYPE	SHEETING COLOR	RETROREFLECTIVE ASTM TYPE		
	1		W47L (CA)	48 x 48			16.0	X	YELLOW	XI		
3	W11-15		36 x 36	9	X	YELLOW	XI	BLACK		X	27.0	
1	W16-9P		30 x 18	3.75	X	YELLOW	XI	BLACK		X	3.8	
1	W7-5		24 x 24	4	X	YELLOW	XI	BLACK		X	4.0	
1	W7-6		24 x 24	4	X	YELLOW	XI	BLACK		X	4.0	
1	R1-1		24 x 24	4	X	RED	XI	WHITE	XI	X	4.0	
1	W4-1		30 x 30	6.25	X	YELLOW	XI	BLACK		X	6.3	
1	W4-4b		24 x 12	2	X	YELLOW	XI	BLACK		X	2.0	
1		R44A (CA)	12 x 24	2	X	WHITE	VIII	BLACK		X	2.0	
1		R18A (Rt) (CA)	48 x 66	22	X	WHITE	VIII	BLACK		X	22.0	
1	W16-7pL		30 x 18	3.75	X	YELLOW	XI	BLACK		X	3.8	
1	W16-7pR		30 x 18	3.75	X	YELLOW	XI	BLACK		X	3.8	
1		R81 (CA)	12 x 8	0.67	X	WHITE	VIII	BLACK		X	0.7	
1		R81B (CA)	12 x 5	0.41	X	WHITE	VIII	BLACK		X	0.4	
TOTAL											99.6	

Dist	COUNTY	ROUTE	POST MILES TOTAL PROJECT	SHEET No.	TOTAL SHEETS
03	ED	50	15.5/15.8	27	29

Garrett McLaughlin 05/29/15
 REGISTERED CIVIL ENGINEER DATE

May 29, 2015
 PLANS APPROVAL DATE

THE STATE OF CALIFORNIA OR ITS OFFICERS OR AGENTS SHALL NOT BE RESPONSIBLE FOR THE ACCURACY OR COMPLETENESS OF SCANNED COPIES OF THIS PLAN SHEET.

QUINCY ENGINEERING, INC
 11017 COBBLEROCK DRIVE SUITE 100
 RANCHO CORDOVA, CA 95670

EL DORADO COUNTY
 2850 FAIRLANE COURT
 PLACERVILLE, CA 95667

PAVEMENT DELINATION QUANTITIES

SHEET No.	FROM			TO			DETAIL No.	THERMOPLASTIC TRAFFIC STRIPE		REMOVE THERMOPLASTIC PAVEMENT MARKING SQFT	THERMOPLASTIC PAVEMENT MARKING	
	LINE	STATION	Lt/Rt	LINE	STATION	Lt/Rt		4" LF	4" (BROKEN 9-3) LF		SQFT	DESCRIPTION
	PD-1	RBP	520+20	Rt	RBP	528+50		Rt	27B		830	
PD-1	RBP	520+20	Rt	RBP	528+50	Rt	BC		827			
PD-1	RBP	520+20	Rt	RBP	528+50	Rt	27B	830				
PD-2	RBP	528+50	Rt	RBP	533+34	Rt	27B	484				
PD-2	RBP	528+50	Rt	RBP	541+74	Rt	BC	628	692			
PD-2	RBP	528+50	Rt	RBP	538+46	Rt	27B	996				
PD-2	RBP	541+74	Rt	RBP	541+74	Lt	LL				10	
PD-2	RBP	541+40	Rt	RBP	541+50	Rt					8	
PD-2	RBP	542+23	Rt	RBP	542+89	Rt	XW		36		63	
PD-2	RBP	542+24	Rt	RBP	542+83	Rt	XW				59	
PD-2	RBP	542+57	Lt								22	
PD-2	RBP	542+70	Lt								22	
PD-2	RBP	542+61	Rt								42	
PD-2	RBP	542+72	Rt								45	
PD-2	RBP	541+72	Rt								11	
PD-2	RBP	542+57	Lt								22	
PD-2	RBP	542+70	Lt								22	
PD-2	RBP	542+61	Lt								15	
PD-2	RBP	542+72	Lt								45	
TOTAL								3768	1519	140	282	

SUMMARY OF QUANTITIES
 NO SCALE
Q-4

BORDER LAST REVISED 7/2/2010

USERNAME => garrettm
 DGN FILE => S:\client\El Dorado\01-501-01-MOFLAT PS&E Phase 1B\Phase 1B_2_8

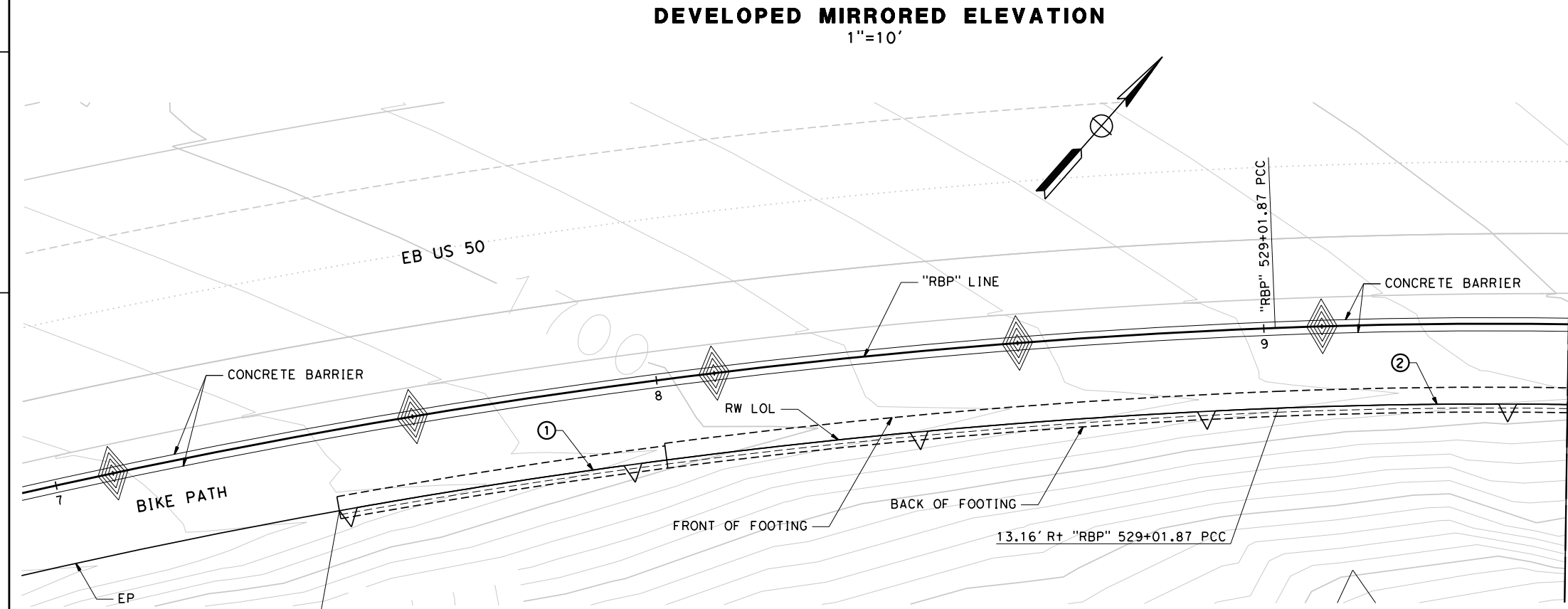
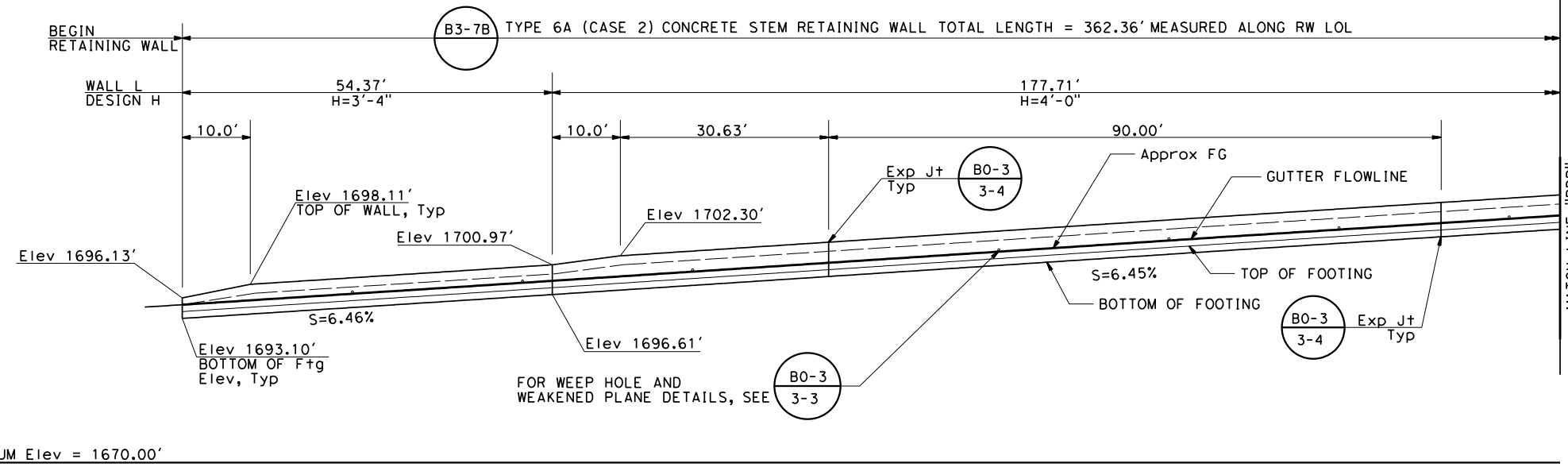
RELATIVE BORDER SCALE
 0 1 2 3

DATE PLOTTED => 3/14/2016
 TIME PLOTTED => 10:00:11 AM

STATE OF CALIFORNIA - DEPARTMENT OF TRANSPORTATION
Gibbons
 CONSULTANT FUNCTIONAL SUPERVISOR JOHN QUINCY
 CHECKED BY
 CALCULATED/DESIGNED BY
 GRIMM BENJAMIN
 GARRETT MCLAUGHLIN
 REVISIONS:
 XX/XX/XX
 XX/XX/XX
 XX/XX/XX
 XX/XX/XX
 XX/XX/XX

NOTES:
 1. THIS PLAN ACCURATE FOR RETAINING WALL WORK ONLY.
 2. FOOTING TO BE POURED NEAT AGAINST CLEAN ROCK EXCAVATION. ROCK SHOULD HAVE ROUGH SURFACE.

CURVE DATA				
No.	R	Δ	T	L
1	1121.44'	7° 55' 17"	77.65'	155.04'
2	876.84'	13° 32' 24"	104.09'	207.21'



Dist	COUNTY	ROUTE	POST MILES TOTAL PROJECT	SHEET No.	TOTAL SHEETS
03	ED	50	15.5/15.8	28	29

Garrett McLaughlin 05/29/15
 REGISTERED CIVIL ENGINEER DATE

May 29, 2015
 PLANS APPROVAL DATE

Garrett McLaughlin
 No. C67687
 Exp. 06/30/17
 CIVIL
 STATE OF CALIFORNIA

QUINCY ENGINEERING, INC
 11017 COBBLEROCK DRIVE SUITE 100
 RANCHO CORDOVA, CA 95670

EL DORADO COUNTY
 2850 FAIRLANE COURT
 PLACERVILLE, CA 95667

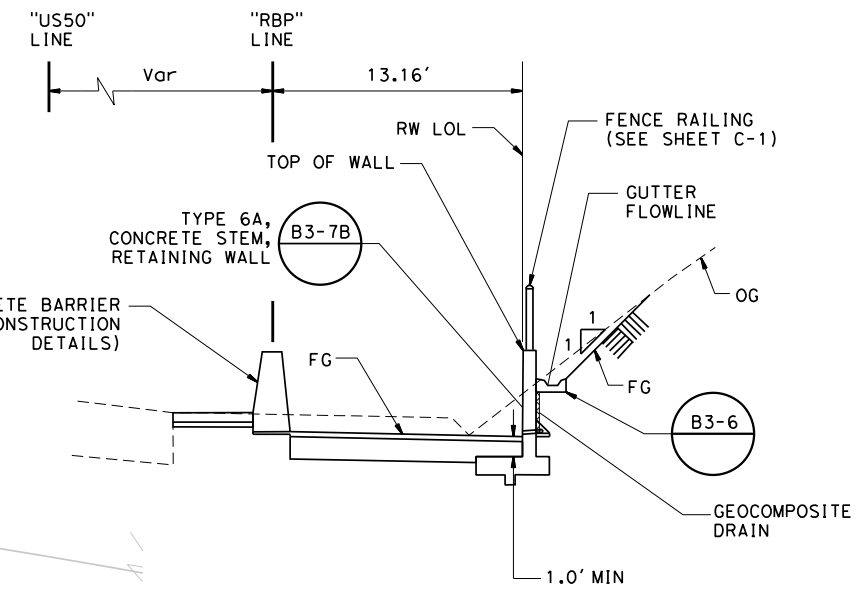
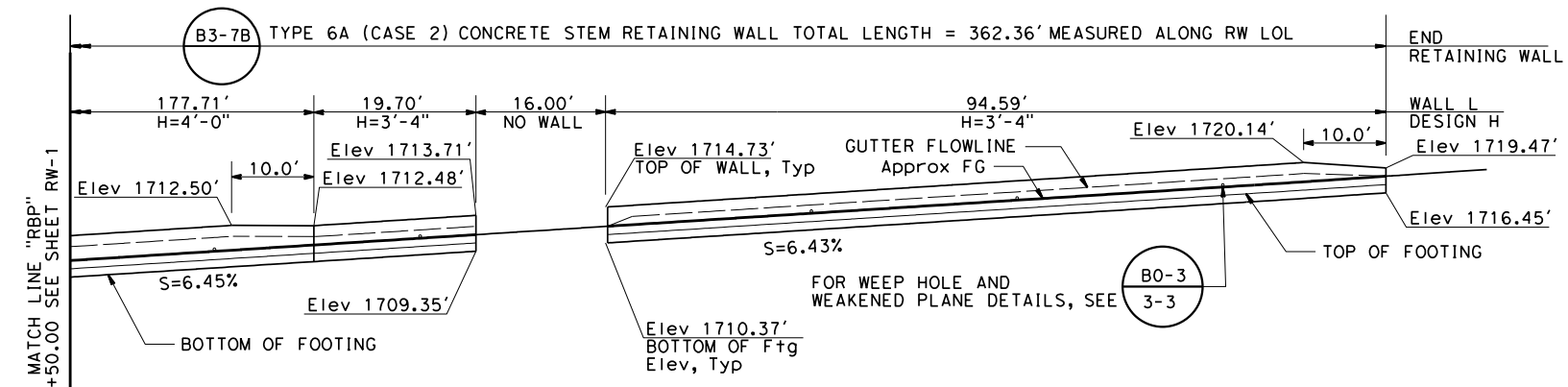
Dist	COUNTY	ROUTE	POST MILES TOTAL PROJECT	SHEET No.	TOTAL SHEETS
03	ED	50	15.5/15.8	29	29

Garrett McLaughlin	05/29/15
REGISTERED CIVIL ENGINEER	DATE
May 29, 2015	
PLANS APPROVAL DATE	

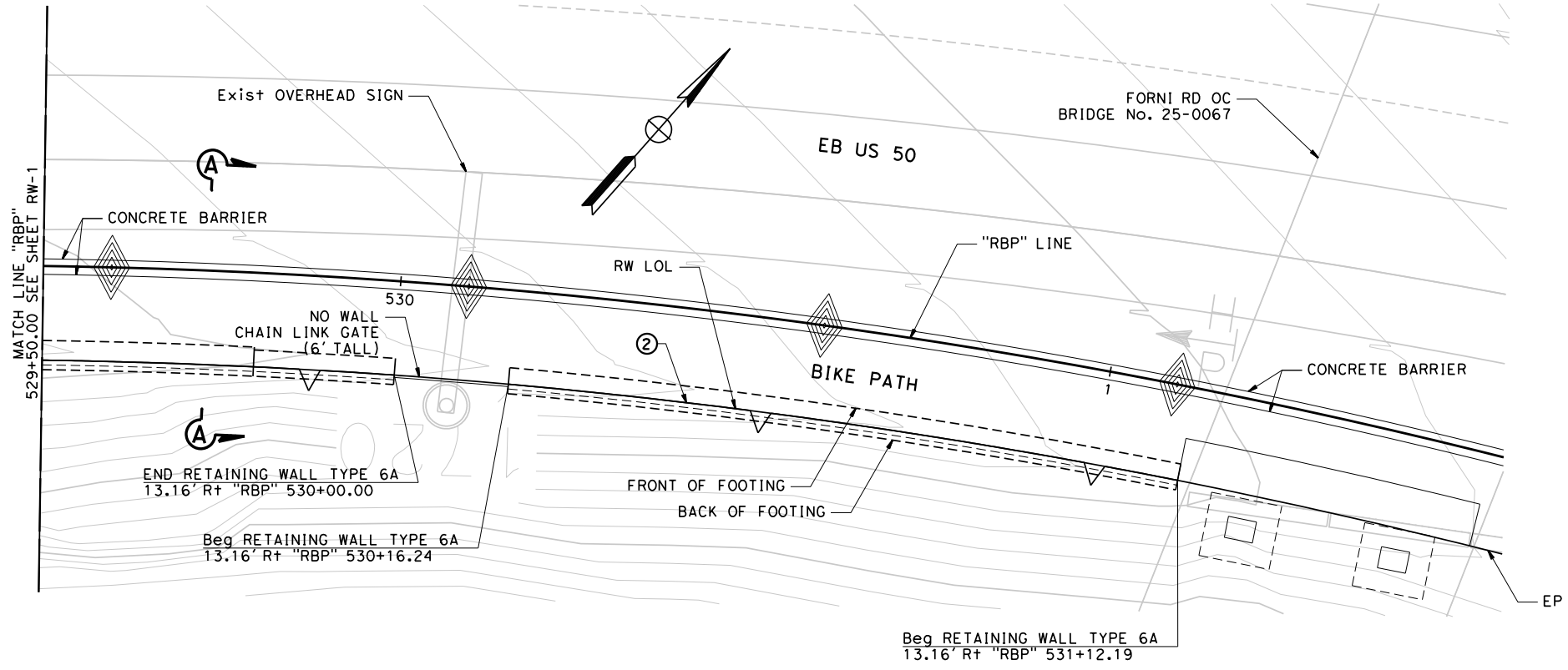
QUINCY ENGINEERING, INC 11017 COBBLEROCK DRIVE SUITE 100 RANCHO CORDOVA, CA 95670	EL DORADO COUNTY 2850 FAIRLANE COURT PLACERVILLE, CA 95667
---	--

CURVE DATA				
No. ①	R	Δ	T	L
2	876.84'	13° 32' 24"	104.09'	207.21'

- NOTES:
- THIS PLAN ACCURATE FOR RETAINING WALL WORK ONLY.
 - FOOTING TO BE POURED NEAT AGAINST CLEAN ROCK EXCAVATION. ROCK SHOULD HAVE ROUGH SURFACE.



DEVELOPED MIRRORED ELEVATION
1"=10'



RETAINING WALL PLAN
SCALE: 1"=10'
RW-2

STATE OF CALIFORNIA - DEPARTMENT OF TRANSPORTATION
Benjamin Grimm
Garrett McLaughlin
John Quincy