

APPROVED AS TO IMPACT ON STATE FACILITIES AND CONFORMANCE WITH APPLICABLE STATE STANDARDS AND PRACTICES AND THAT TECHNICAL OVERSIGHT WAS PERFORMED.

DATE SIGNED 6-6-12

LICENSE EXP DATE 06/30/12

REGISTRATION No. 72005

CALTRANS DESIGN OVERSIGHT APPROVAL

SCOTT W. MANN

CONSULTANT DESIGN ENGINEER

R. BRENT LEMON

**INDEX OF PLANS**

SHEET No.	ROADWAY PLANS
1	TITLE SHEET
2	CONSTRUCTION STAKING SURVEY CONTROL DATA
3-11	TYPICAL CROSS SECTIONS
12	KEY MAP AND LINE INDEX
13-17	LAYOUT
18-23	PROFILE AND SUPERELEVATION DIAGRAM
24-41	CONSTRUCTION DETAILS
42-46	EROSION CONTROL PLAN
47	EROSION CONTROL DETAILS
48-51	CONTOUR GRADING
52-57	DRAINAGE PLAN
58-64	DRAINAGE PROFILE
65-71	DRAINAGE DETAILS
72-79	DRAINAGE QUANTITIES
80-85	UTILITY PLAN
86	CONSTRUCTION AREA SIGNS
87-94	STAGE CONSTRUCTION
95-118	TRAFFIC HANDLING PLAN
119	TRAFFIC HANDLING DETAILS
120-127	TRAFFIC HANDLING QUANTITIES
128-132	DETOUR PLANS
133	DETOUR DETAILS
134-138	PAVEMENT DELINEATION PLAN
139-144	PAVEMENT DELINEATION QUANTITIES
145-149	SIGN PLAN
150-153	SIGN DETAILS
154-159	SIGN QUANTITIES
160-165	SUMMARY OF QUANTITIES
166-169	BARRIER WALL
170-222	ELECTRICAL PLANS

SHEET No.	STRUCTURE PLANS
223-245	LATROBE ROAD WB OFF-RAMP UC (BRIDGE No. 25-1022K)

**DEPARTMENT OF TRANSPORTATION  
COUNTY OF EL DORADO, CA**

**PROJECT PLANS FOR CONSTRUCTION ON  
STATE HIGHWAY  
IN EL DORADO COUNTY  
NEAR EL DORADO HILLS ON US-50  
FROM 0.45 MILE WEST TO 0.30 MILE EAST  
OF THE LATROBE UNDERCROSSING  
AND FROM 0.05 MILE SOUTH OF US-50 TO  
0.30 MILE NORTH OF SARATOGA WAY**

TO BE SUPPLEMENTED BY STANDARD PLANS DATED MAY 2006

DIST	COUNTY	ROUTE	MILE POST TOTAL PROJECT	SHEET No.	TOTAL SHEETS
03	ED	50	0.60/1.35	1	245

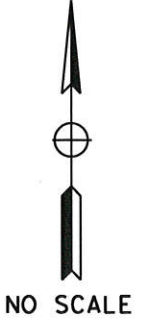
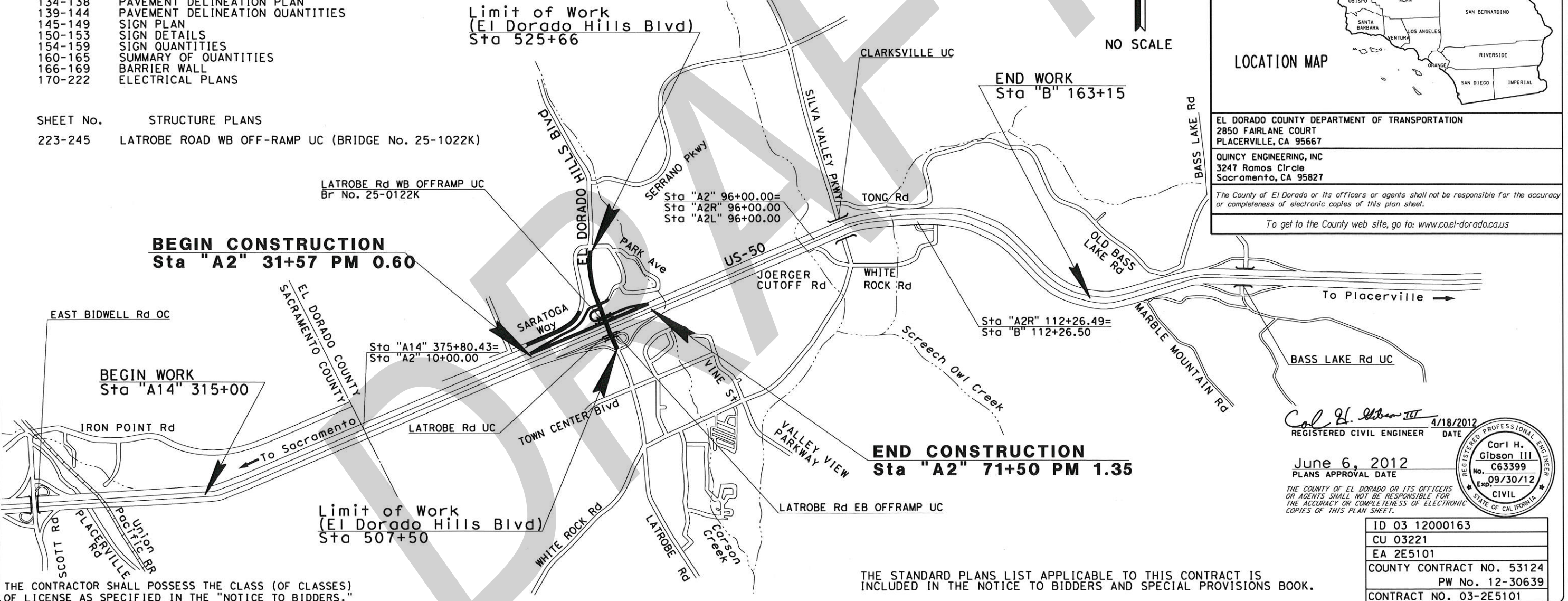


EL DORADO COUNTY DEPARTMENT OF TRANSPORTATION  
2850 FAIRLANE COURT  
PLACERVILLE, CA 95667

QUINCY ENGINEERING, INC  
3247 Ramos Circle  
Sacramento, CA 95827

The County of El Dorado or its officers or agents shall not be responsible for the accuracy or completeness of electronic copies of this plan sheet.

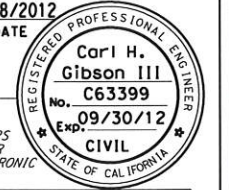
To get to the County web site, go to: [www.co.el-dorado.ca.us](http://www.co.el-dorado.ca.us)



Col. H. Gibson III 4/18/2012  
REGISTERED CIVIL ENGINEER DATE

June 6, 2012  
PLANS APPROVAL DATE

THE COUNTY OF EL DORADO OR ITS OFFICERS OR AGENTS SHALL NOT BE RESPONSIBLE FOR THE ACCURACY OR COMPLETENESS OF ELECTRONIC COPIES OF THIS PLAN SHEET.



ID 03 12000163
CU 03221
EA 2E5101
COUNTY CONTRACT NO. 53124
PW No. 12-30639
CONTRACT NO. 03-2E5101

THE STANDARD PLANS LIST APPLICABLE TO THIS CONTRACT IS INCLUDED IN THE NOTICE TO BIDDERS AND SPECIAL PROVISIONS BOOK.

THE CONTRACTOR SHALL POSSESS THE CLASS (OF CLASSES) OF LICENSE AS SPECIFIED IN THE "NOTICE TO BIDDERS."

ADOPTED AND APPROVED BY:	
JOHN R. KNIGHT CHAIRMAN, EL DORADO COUNTY BOARD OF SUPERVISORS APPROVED BY:	DATE
KIMBERLY A. KERR INTERIM DIRECTOR, EL DORADO COUNTY DEPARTMENT OF TRANSPORTATION APPROVED BY:	DATE
MATTHEW D. SMELTZER P.E. NO. C 56832 DEPUTY DIRECTOR ENGINEERING DIVISION, EL DORADO COUNTY DEPARTMENT OF TRANSPORTATION	DATE

**COUNTY OF EL DORADO  
DEPARTMENT OF TRANSPORTATION**

2850 FAIRLANE COURT  
PLACERVILLE, CA 95667  
(530) 621-5900



REVISIONS		
MARK	DATE	BY

BOARD OF SUPERVISORS	
JOHN R. KNIGHT	I
RAYMOND J. NUTTING	II
JAMES R. SWEENEY	III
RON V. BRIGGS	IV
NORMA SANTIAGO	V

Dist	COUNTY	ROUTE	POST MILES TOTAL PROJECT	SHEET No.	TOTAL SHEETS
03	ED	50	0.60/1.35	2	245

*Carl H. Gibson III* 6/6/12  
 REGISTERED CIVIL ENGINEER DATE  
 6/6/12  
 PLANS APPROVAL DATE  
 THE STATE OF CALIFORNIA OR ITS OFFICERS OR AGENTS SHALL NOT BE RESPONSIBLE FOR THE ACCURACY OR COMPLETENESS OF SCANNED COPIES OF THIS PLAN SHEET.

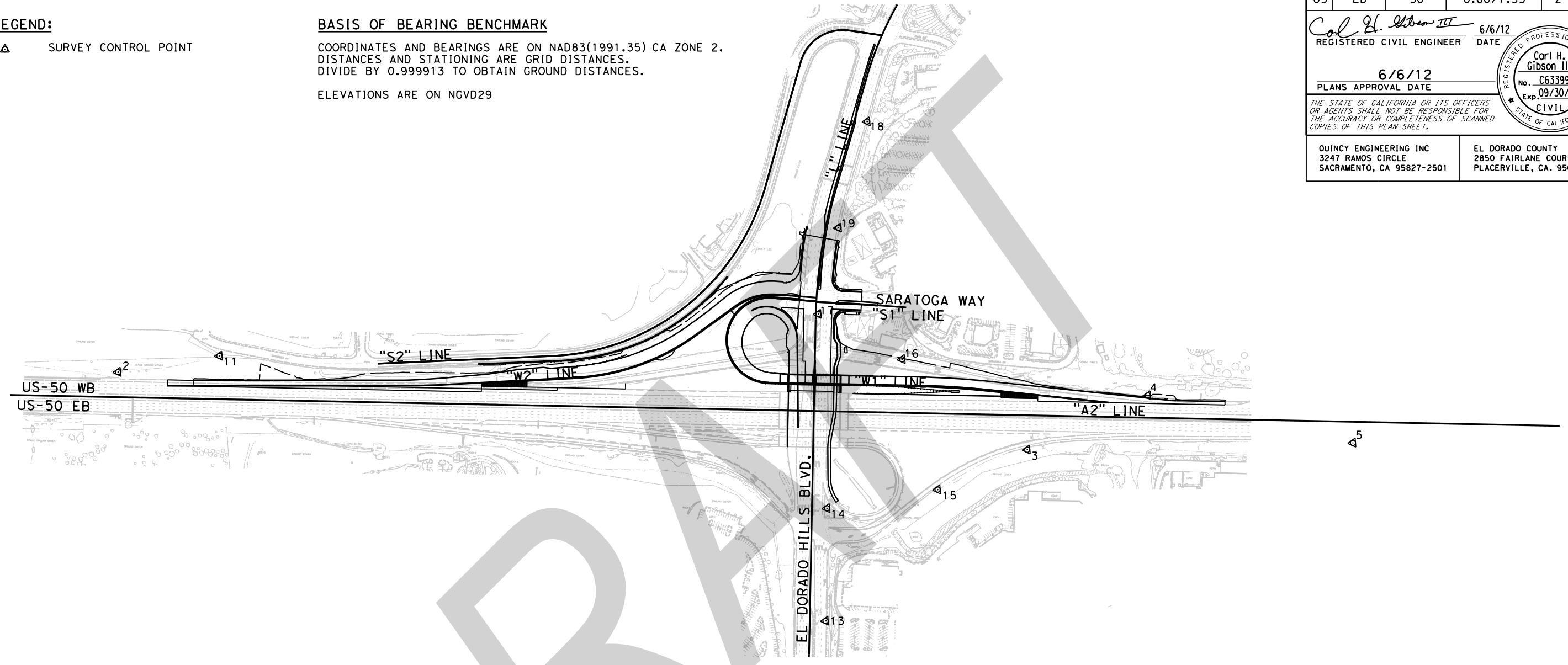
QUINCY ENGINEERING INC 3247 RAMOS CIRCLE SACRAMENTO, CA 95827-2501	EL DORADO COUNTY 2850 FAIRLANE COURT PLACERVILLE, CA. 95667
--	---

**LEGEND:**

△ SURVEY CONTROL POINT

**BASIS OF BEARING BENCHMARK**

COORDINATES AND BEARINGS ARE ON NAD83(1991.35) CA ZONE 2.  
 DISTANCES AND STATIONING ARE GRID DISTANCES.  
 DIVIDE BY 0.999913 TO OBTAIN GROUND DISTANCES.  
 ELEVATIONS ARE ON NGVD29



NO.	POINT #	COORDINATES		ELEVATION	LINE	STATION	OFFSET	LT/RT	DESCRIPTION
		NORTHING	EASTING						
1	25105	1999123.000	6823071.754	651.862	A2	11+95.15	82.41	RT	121 PRH FD CDOH BC
2	25107	1999995.705	6824627.916	643.011	A2	29+70.51	94.66	LT	120 PRHV FD CDOH BC
3	25118	2001165.082	6827867.515	603.995	A2	64+07.36	130.02	RT	120 PRHV FD CDOH BC
4	25119	2001541.745	6828195.569	611.941	A2	68+58.73	83.9	LT	120 PRHV FD CDOH BC
5	25120	2001702.890	6828973.291	645.681	A2	76+35.95	79.63	RT	120 PRHV FD CDOH BC
6	25124	2002545.427	6830886.322	695.468	A2	97+27.96	71.8	RT	120 PRHV FD CDOH BC
7	25133	2002653.055	6834532.230	883.505	-	-	-	-	120 PRHV FD CDOH BC
8	25135	2001808.690	6835645.256	991.809	-	-	-	-	120 PRHV FD CDOH BC
9	25136	2001696.440	6836289.621	1032.19	-	-	-	-	120 PRHV FD CDOH BC
10	25137	2001582.677	6836894.715	1042.212	-	-	-	-	120 PRHV FD CDOH BC
11	25108REY	2000211.421	6824949.974	683.18	W2	33+54.14	112.56	LT	120 PRHV FD CDOH BC
12	25122REY	2002391.240	6830131.824	685.613	A2	89+73.13	87.61	LT	120 PRHV FD CDOH BC
13	FX179	2000259.576	6827446.865	619.337	L	503+53.27	60.29	RT	140 PHHV FD MAG
14	FX180	2000648.085	6827273.611	610.18	L	507+78.65	56.98	RT	140 PHHV FD MAG
15	FX181	2000886.911	6827623.311	607.137	L	508+57.58	473.03	RT	140 PHHV FD MAG
16	FX182	2001277.763	6827295.805	606.93	W1	59+27.20	98.02	LT	140 PHHV FD MAG
17	FX183	2001300.709	6826936.891	621.622	L	515+11.58	9.44	RT	140 PHHV FD MAG
18	FX184	2002037.857	6826800.122	655.972	L	522+68.42	47.51	RT	140 PHHV FD MAG
19	FX185	2001627.917	6826869.609	640.679	L	518+48.60	47.71	RT	140 PHHV FD MAG
20	FX186	2002545.752	6826766.672	658.323	L	527+89.35	43.95	RT	140 PHHV FD MAG

NOTE: SOME SURVEY CONTROL POINTS ARE OUTSIDE THE LIMITS OF THIS SHEET AND ARE NOT SHOWN.

**CONSTRUCTION STAKING  
SURVEY CONTROL DATA**

SCALE: 1"=200'  
 12-0325.B.Page 2 of 245  
**CSS-1**

STATE OF CALIFORNIA - DEPARTMENT OF TRANSPORTATION

CONSULTANT: FUNCTIONAL SUPERVISOR: R. BRENT LEMON

CALCULATED/DESIGNED BY: ERIN SICKLER

CHECKED BY: CARL GIBSON

REVISOR: ERIN SICKLER

DATE: ERIN SICKLER

LAST REVISION: DATE PLOTTED => 6/5/2012  
 00-00-00 TIME PLOTTED => 4:51:31 PM

**NOTES:**

1. DIMENSIONS OF THE PAVEMENT STRUCTURES (STRUCTURAL SECTIONS) ARE SUBJECT TO TOLERANCES SPECIFIED IN THE STANDARD SPECIFICATIONS.
2. SHOULDER AREAS WITH SUPERELEVATIONS SHALL BE PAVED RHMA-O FROM EDGE OF TRAVELWAY TO EDGE OF TRAVELWAY OR AS DIRECTED BY THE ENGINEER.
3. SEE SUMMARY OF QUANTITY SHEETS AND CONSTRUCTION DETAIL SHEETS FOR EXACT LOCATIONS OF METAL BEAM GUARD RAILING.
4. SEE SUMMARY OF QUANTITY SHEETS AND LAYOUT SHEETS FOR EXACT LOCATIONS AND TYPE OF DIKE.
5. SEE SUMMARY OF QUANTITY SHEETS AND CONSTRUCTION DETAIL SHEETS FOR EXACT LOCATIONS OF CONCRETE BARRIER.
6. SEE DRAINAGE SHEETS FOR EXACT LOCATIONS OF MEDIAN FLOW LINE.
7. SEE DRAINAGE DETAIL SHEETS FOR LOCATIONS AND THICKNESS OF DITCHES.
8. SUPERELEVATIONS ARE SHOWN ON THE SUPERELEVATION DIAGRAMS.

**ABBREVIATIONS:**

- TCE TEMPORARY CONSTRUCTION EASEMENT
- RHMA RUBBERIZED HOT MIX ASPHALT
- BOS BACK OF SIDEWALK
- SR SUPERELEVATION RATE
- OGFC OPEN GRADED FRICTION COURSE

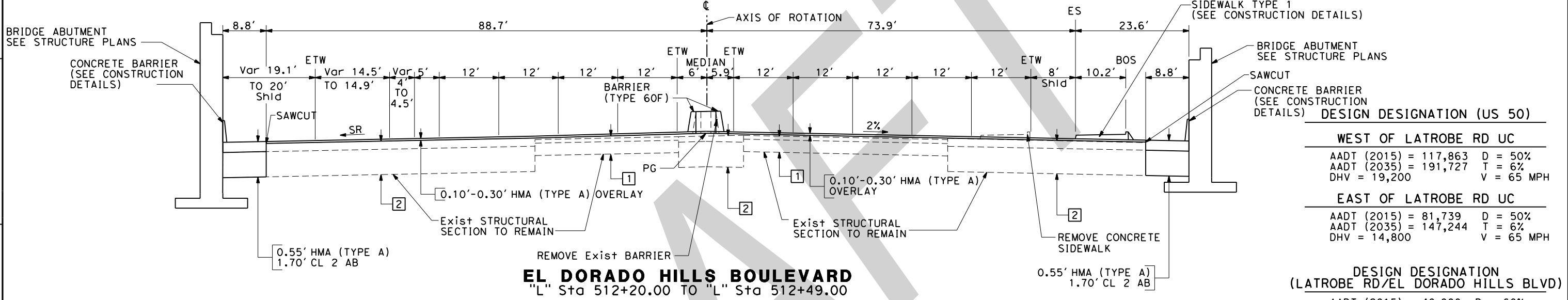
Dist	COUNTY	ROUTE	POST MILES TOTAL PROJECT	SHEET No.	TOTAL SHEETS
03	ED	50	0.60/1.35	3	245

*Carl H. Gibson III*  
 REGISTERED CIVIL ENGINEER DATE 6/6/12  
 PLANS APPROVAL DATE 6/6/12  
 No. C63399  
 Exp. 09/30/12  
 CIVIL  
 STATE OF CALIFORNIA

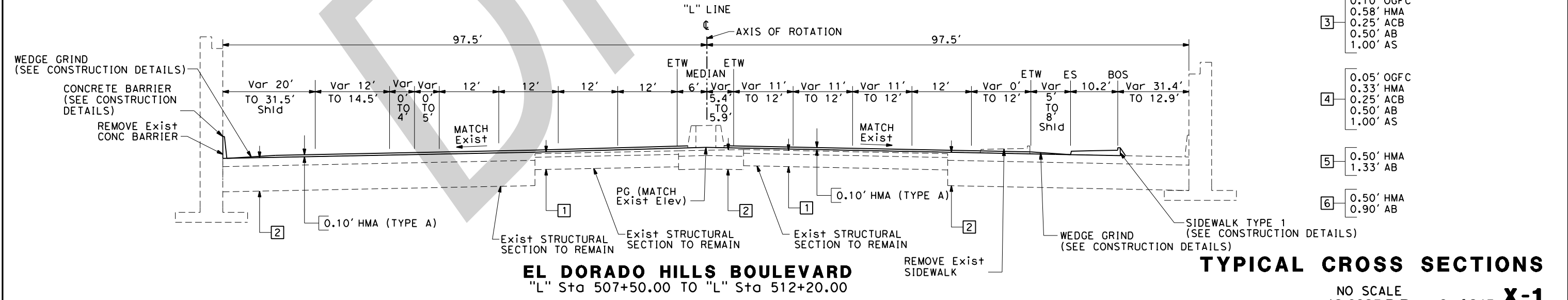
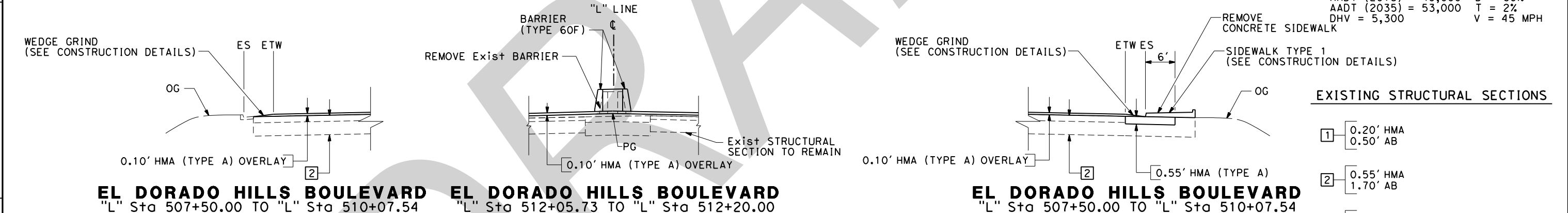
THE STATE OF CALIFORNIA OR ITS OFFICERS OR AGENTS SHALL NOT BE RESPONSIBLE FOR THE ACCURACY OR COMPLETENESS OF SCANNED COPIES OF THIS PLAN SHEET.

QUINCY ENGINEERING INC  
 3247 RAMOS CIRCLE  
 SACRAMENTO, CA 95827-2501

EL DORADO COUNTY  
 2850 FAIRLANE COURT  
 PLACERVILLE, CA. 95667



WEST OF LATROBE RD UC	
AADT (2015) = 117,863	D = 50%
AADT (2035) = 191,727	T = 6%
DHV = 19,200	V = 65 MPH
EAST OF LATROBE RD UC	
AADT (2015) = 81,739	D = 50%
AADT (2035) = 147,244	T = 6%
DHV = 14,800	V = 65 MPH
DESIGN DESIGNATION (LATROBE RD/EL DORADO HILLS BLVD)	
AADT (2015) = 40,000	D = 60%
AADT (2035) = 53,000	T = 2%
DHV = 5,300	V = 45 MPH



**TYPICAL CROSS SECTIONS**

NO SCALE  
12-0325.B.Page 3 of 245

STATE OF CALIFORNIA - DEPARTMENT OF TRANSPORTATION  
 ERIN SICKLER  
 CARL GIBSON  
 R. BRENT LEMON  
 DATE REVISED 7/2/2010

DATE PLOTTED => 6/5/2012  
 TIME PLOTTED => 4:51:32 PM

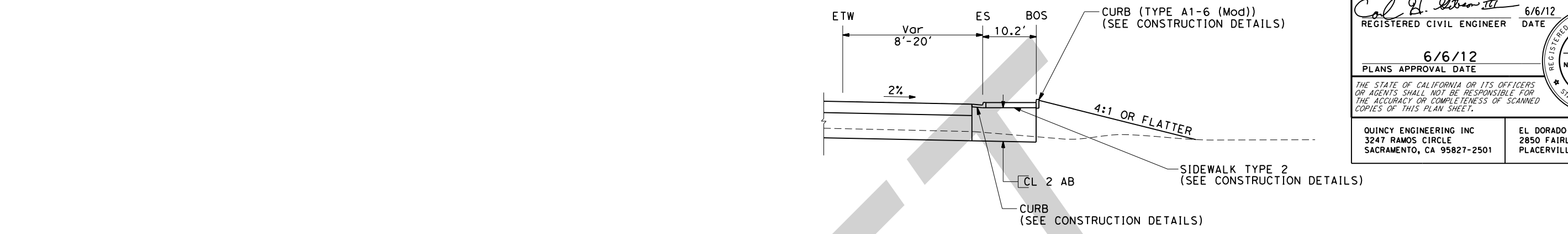
Dist	COUNTY	ROUTE	POST MILES TOTAL PROJECT	SHEET No.	TOTAL SHEETS
03	ED	50	0.60/1.35	4	245

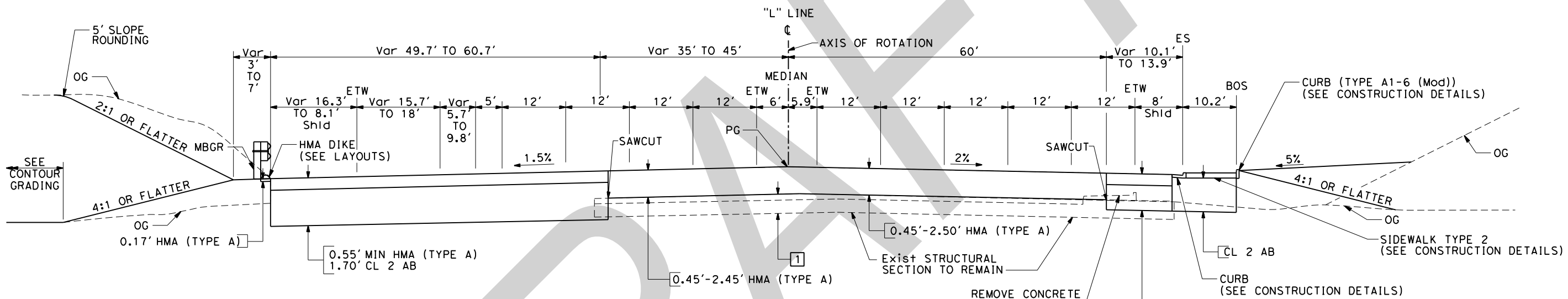
REGISTERED CIVIL ENGINEER No. C63399 Exp. 09/30/12 CIVIL	6/6/12 DATE PLANS APPROVAL DATE
---	---------------------------------------

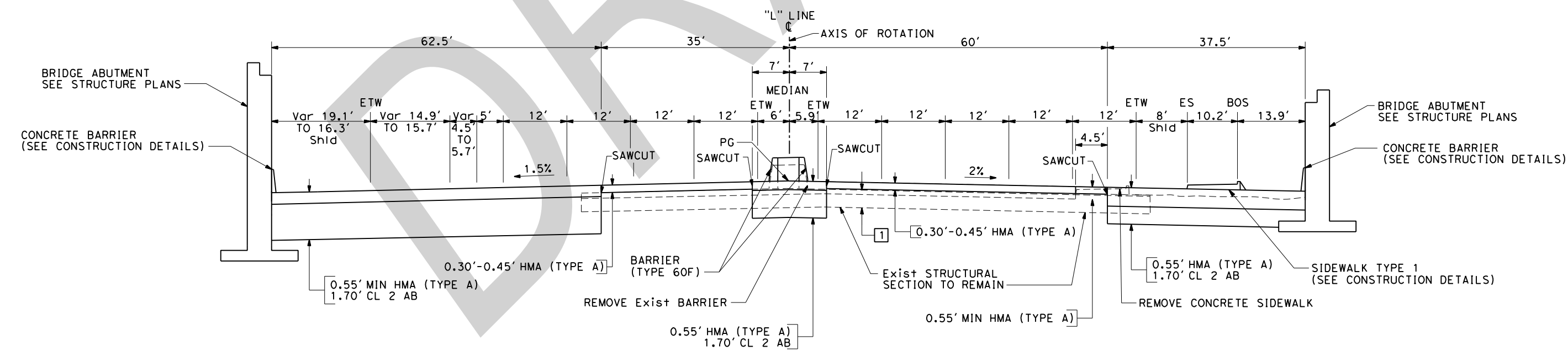
QUINCY ENGINEERING INC 3247 RAMOS CIRCLE SACRAMENTO, CA 95827-2501	EL DORADO COUNTY 2850 FAIRLANE COURT PLACERVILLE, CA. 95667
--	---



**EL DORADO HILLS BOULEVARD**  
 "L" Sta 513+13.38 TO "L" Sta 514+18.38



**EL DORADO HILLS BOULEVARD**  
 "L" Sta 512+82.29 TO "L" Sta 514+57.36



**EL DORADO HILLS BOULEVARD**  
 "L" Sta 512+49.00 TO "L" Sta 512+82.29

**TYPICAL CROSS SECTIONS**

NO SCALE  
 12-0325.B.Page 4 of 245

**X-2**

STATE OF CALIFORNIA - DEPARTMENT OF TRANSPORTATION	ERIN SICKLER	REVISOR	DATE
Ertrans	CARL GIBSON	REVISOR	DATE
CONSULTANT FUNCTIONAL SUPERVISOR	R. BRENT LEMON	CHECKED BY	
CALCULATED/DESIGNED BY			

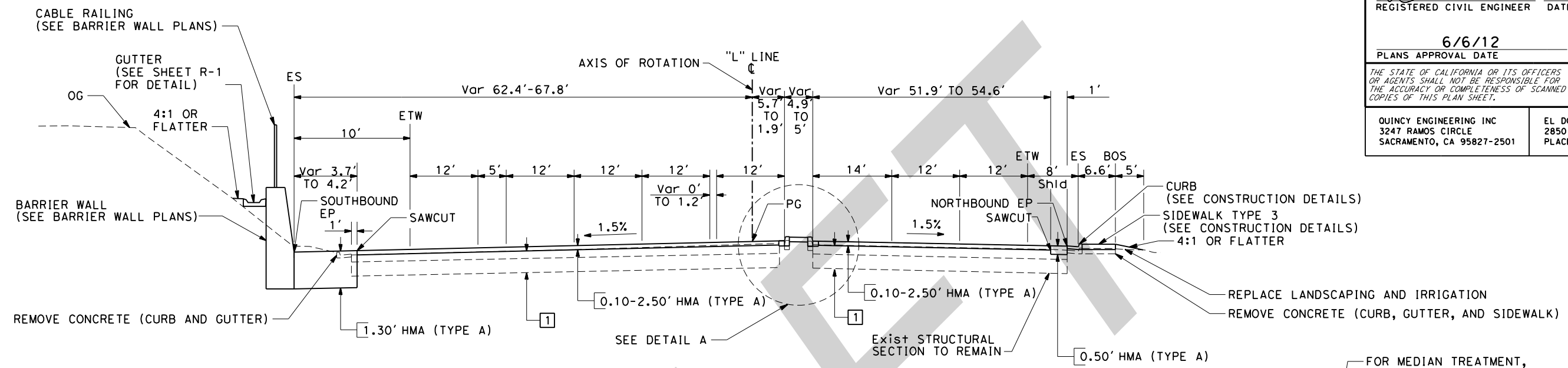


LAST REVISION DATE PLOTTED => 6/5/2012  
 00-00-00 TIME PLOTTED => 4:51:33 PM

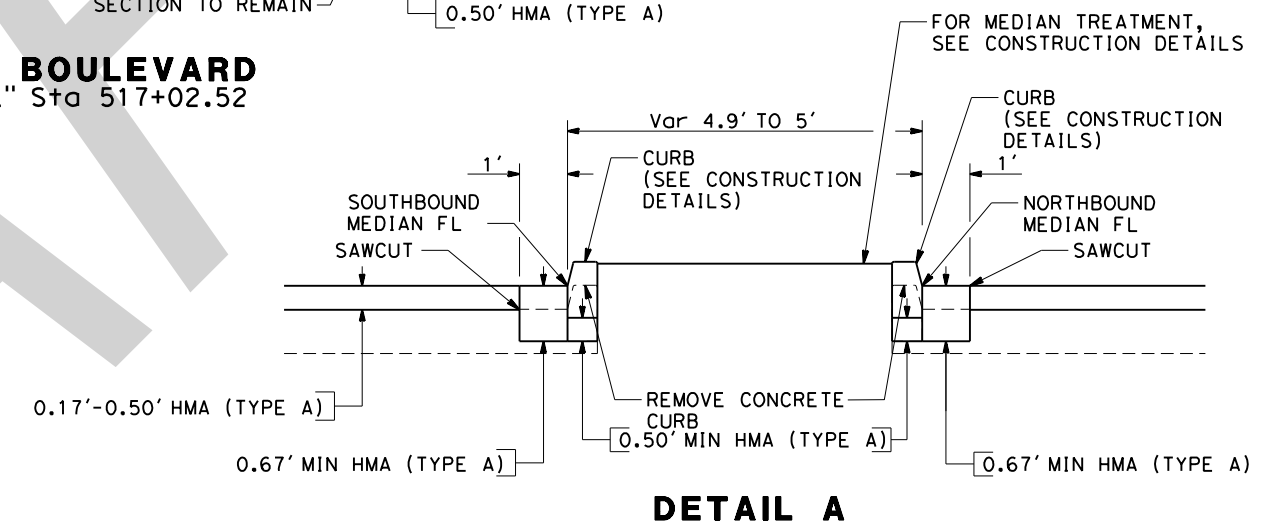
Dist	COUNTY	ROUTE	POST MILES TOTAL PROJECT	SHEET No.	TOTAL SHEETS
03	ED	50	0.60/1.35	5	245

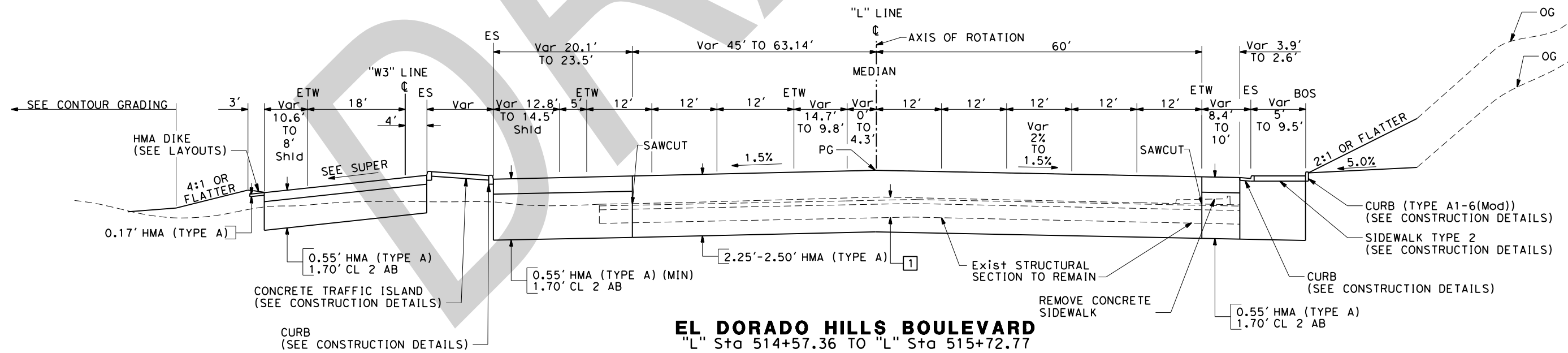
<i>Carl H. Gibson III</i> REGISTERED CIVIL ENGINEER DATE 6/6/12	
PLANS APPROVAL DATE 6/6/12	
THE STATE OF CALIFORNIA OR ITS OFFICERS OR AGENTS SHALL NOT BE RESPONSIBLE FOR THE ACCURACY OR COMPLETENESS OF SCANNED COPIES OF THIS PLAN SHEET.	
QUINCY ENGINEERING INC 3247 RAMOS CIRCLE SACRAMENTO, CA 95827-2501	EL DORADO COUNTY 2850 FAIRLANE COURT PLACERVILLE, CA. 95667



**EL DORADO HILLS BOULEVARD**  
 "L" Sta 515+72.77 TO "L" Sta 517+02.52



**DETAIL A**



**EL DORADO HILLS BOULEVARD**  
 "L" Sta 514+57.36 TO "L" Sta 515+72.77

**TYPICAL CROSS SECTIONS**

NO SCALE  
 12-0325.B.Page 5 of 245 **X-3**

STATE OF CALIFORNIA - DEPARTMENT OF TRANSPORTATION	ERIN SICKLER	REVISOR	DATE
ErCatrans	CARL GIBSON	DESIGNER	
	R. BRENT LEMON	FUNCTIONAL SUPERVISOR	
		CHECKED BY	
		DESIGNED BY	

LAST REVISION DATE PLOTTED => 6/5/2012  
 00-00-00 TIME PLOTTED => 4:51:34 PM

**NOTES:**

- FOR EXACT LOCATIONS OF PAVEMENT RECONSTRUCTION AREAS, SEE LAYOUT AND CONSTRUCTION DETAIL SHEETS. LOCATIONS SHOWN ON TYPICAL SECTIONS ARE SCHEMATIC ONLY.
- FOR EXACT LOCATIONS OF PAVEMENT REHABILITATION AREAS, SEE LAYOUT AND CONSTRUCTION DETAIL SHEETS. LOCATIONS SHOWN ON TYPICAL SECTIONS ARE SCHEMATIC ONLY.

Dist	COUNTY	ROUTE	POST MILES TOTAL PROJECT	SHEET No.	TOTAL SHEETS
03	ED	50	0.60/1.35	6	245

*Carl H. Gibson III* 6/6/12  
 REGISTERED CIVIL ENGINEER DATE

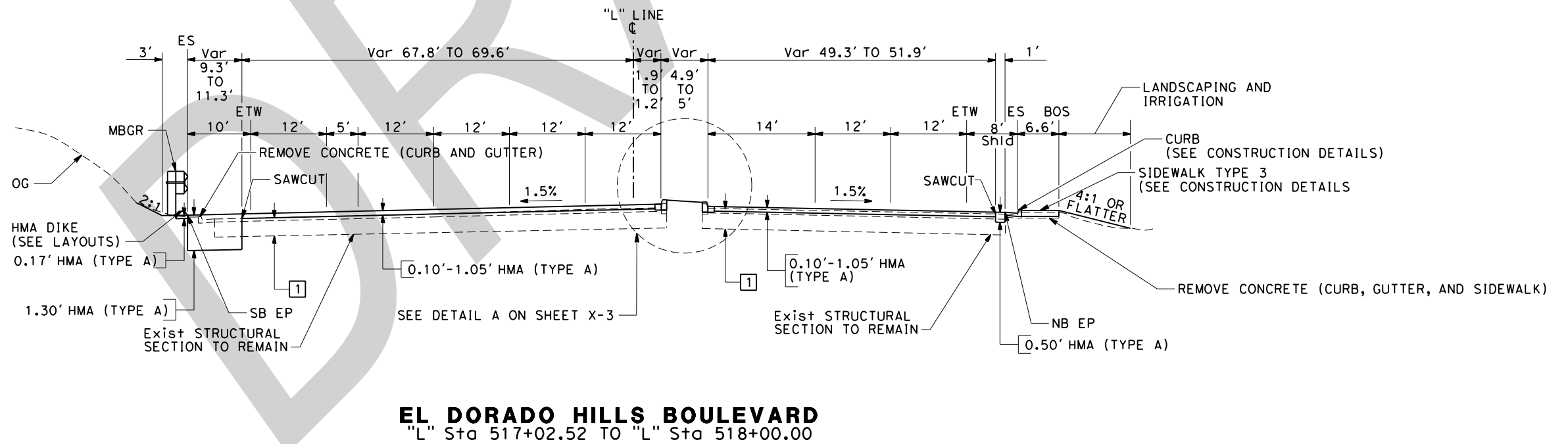
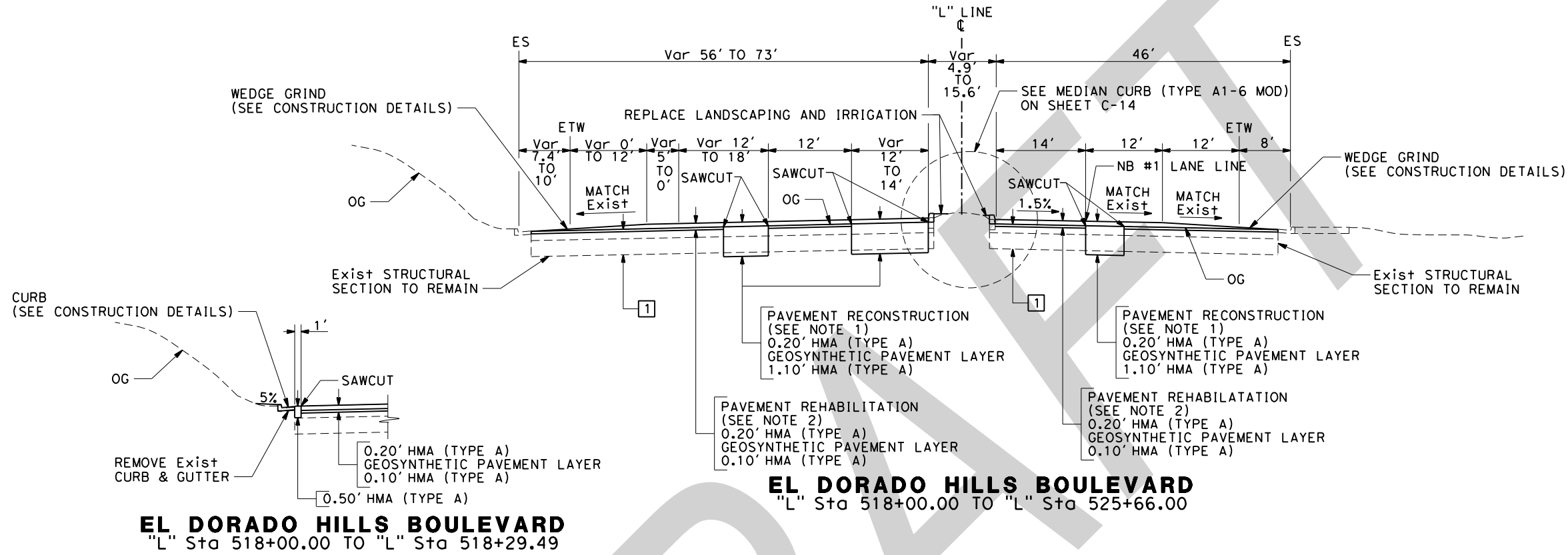
6/6/12  
 PLANS APPROVAL DATE

THE STATE OF CALIFORNIA OR ITS OFFICERS OR AGENTS SHALL NOT BE RESPONSIBLE FOR THE ACCURACY OR COMPLETENESS OF SCANNED COPIES OF THIS PLAN SHEET.

QUINCY ENGINEERING INC  
 3247 RAMOS CIRCLE  
 SACRAMENTO, CA 95827-2501

EL DORADO COUNTY  
 2850 FAIRLANE COURT  
 PLACERVILLE, CA. 95667

REGISTERED PROFESSIONAL ENGINEER  
 Carl H. Gibson III  
 No. C63399  
 Exp. 09/30/12  
 CIVIL  
 STATE OF CALIFORNIA



**TYPICAL CROSS SECTIONS**

NO SCALE  
 12-0325.B.Page 6 of 245 **X-4**

Dist	COUNTY	ROUTE	POST MILES TOTAL PROJECT	SHEET No.	TOTAL SHEETS
03	ED	50	0.60/1.35	7	245

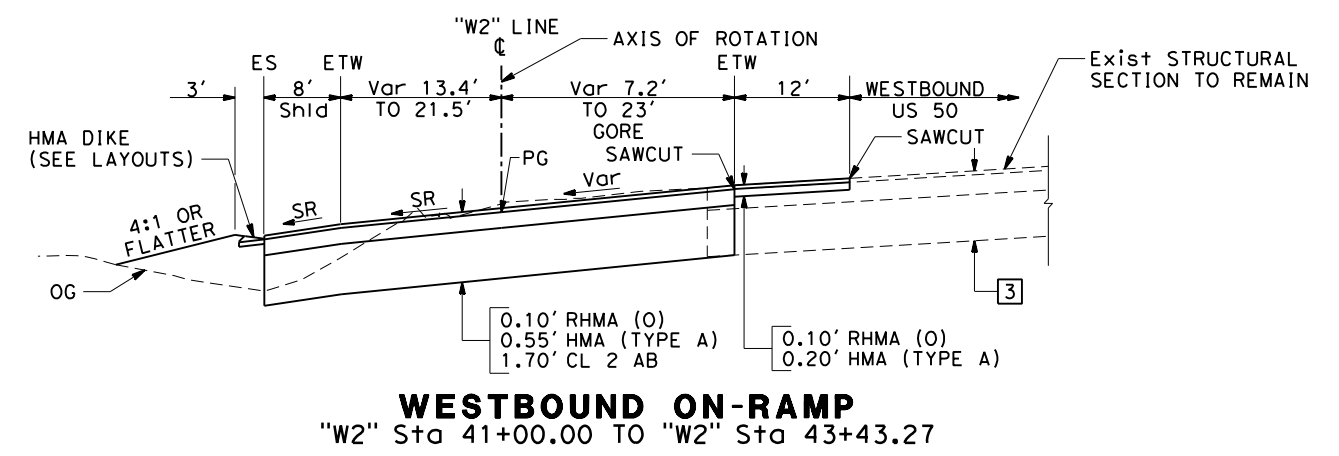
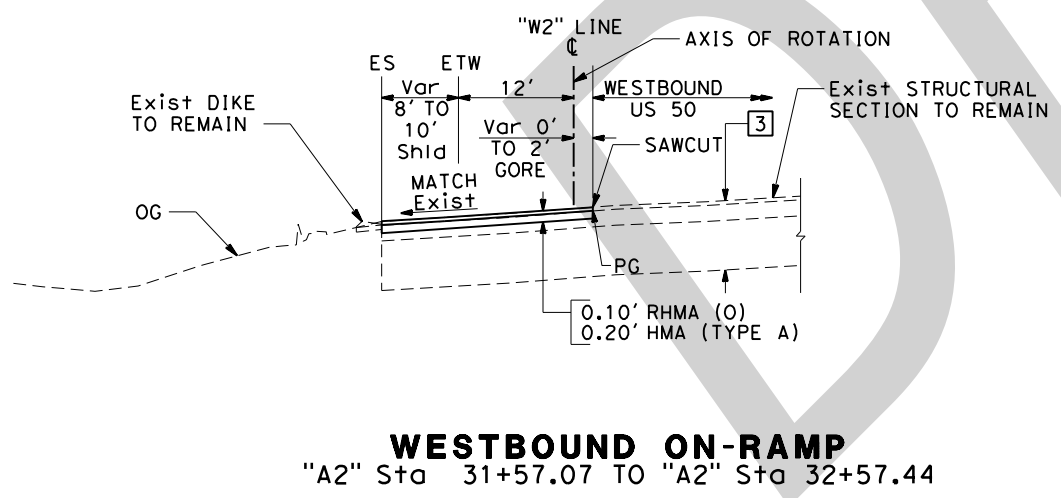
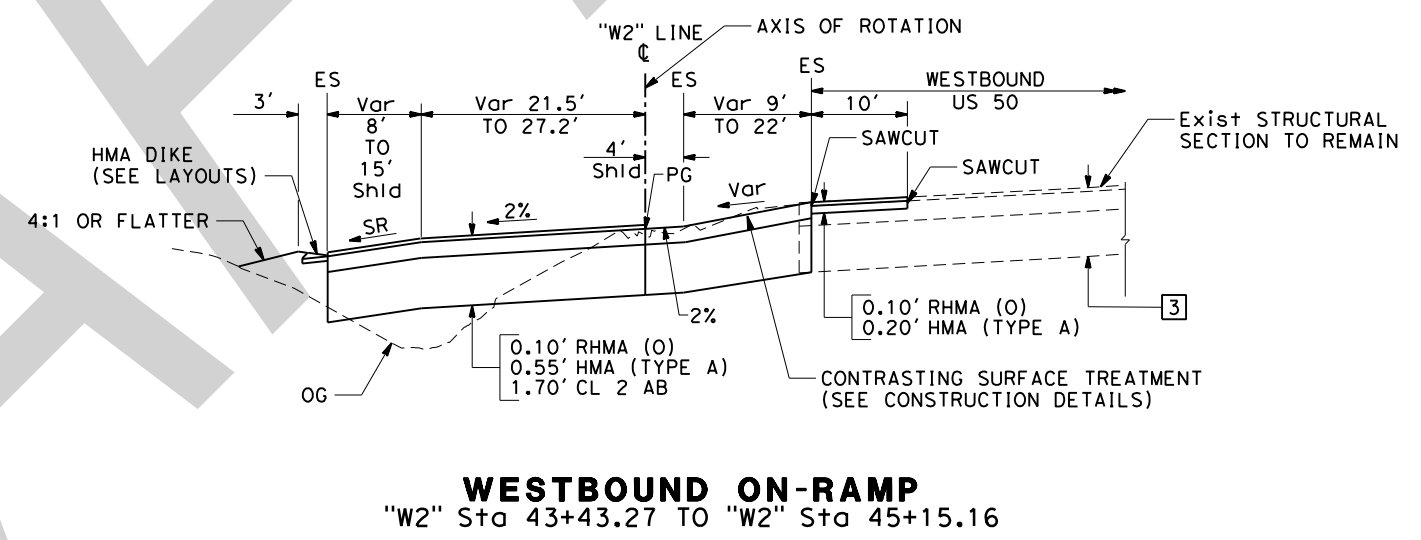
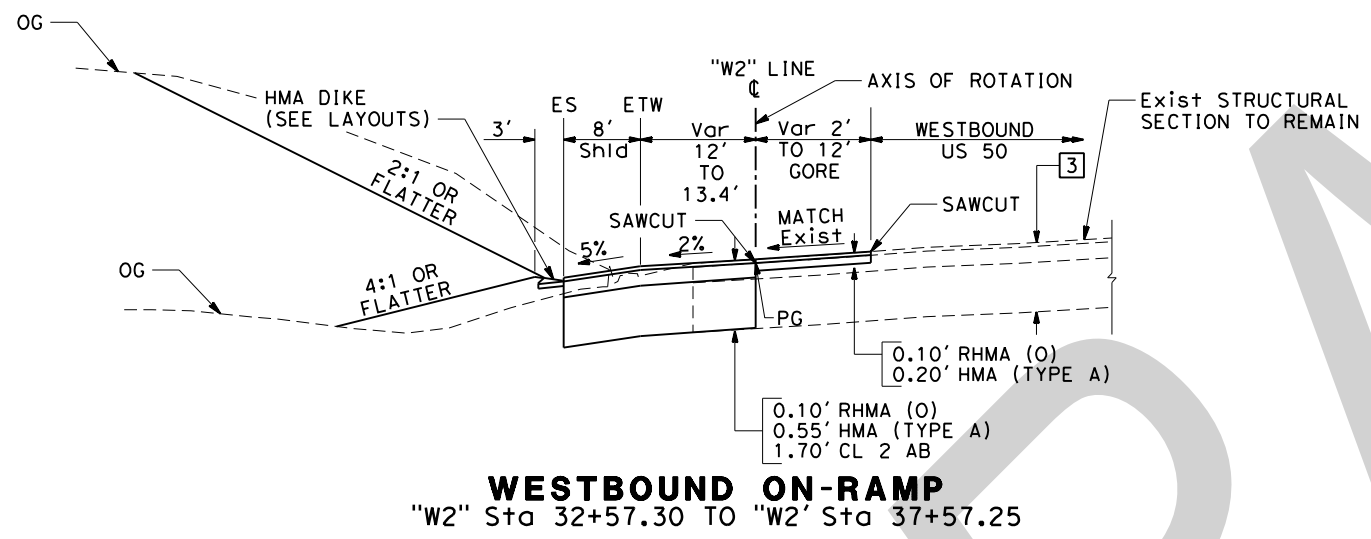
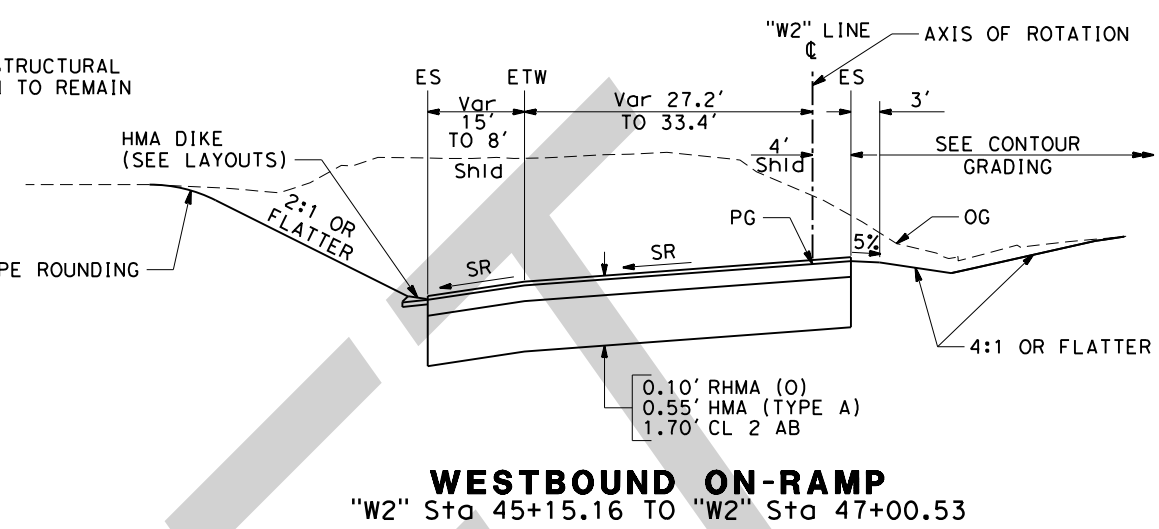
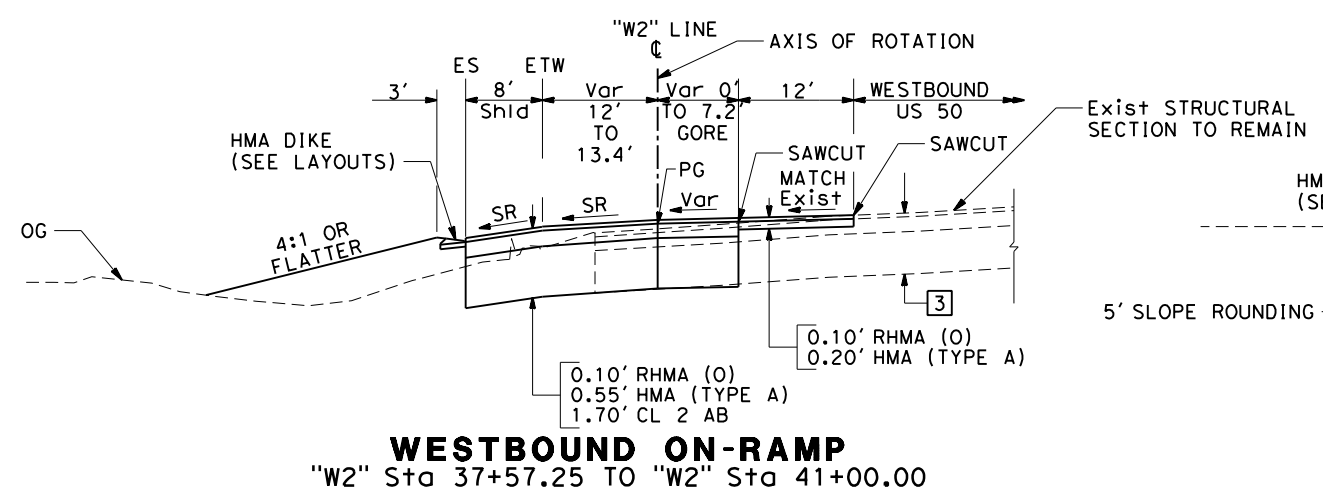
REGISTERED CIVIL ENGINEER  
 Carl H. Gibson III  
 No. C63399  
 Exp. 09/30/12  
 CIVIL  
 STATE OF CALIFORNIA

6/6/12  
 PLANS APPROVAL DATE

THE STATE OF CALIFORNIA OR ITS OFFICERS OR AGENTS SHALL NOT BE RESPONSIBLE FOR THE ACCURACY OR COMPLETENESS OF SCANNED COPIES OF THIS PLAN SHEET.

QUINCY ENGINEERING INC  
 3247 RAMOS CIRCLE  
 SACRAMENTO, CA 95827-2501

EL DORADO COUNTY  
 2850 FAIRLANE COURT  
 PLACERVILLE, CA. 95667



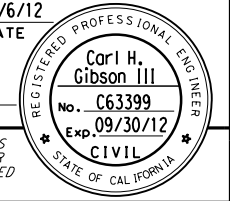
**TYPICAL CROSS SECTIONS**

NO SCALE  
12-0325.B.Page 7 of 245 **X-5**

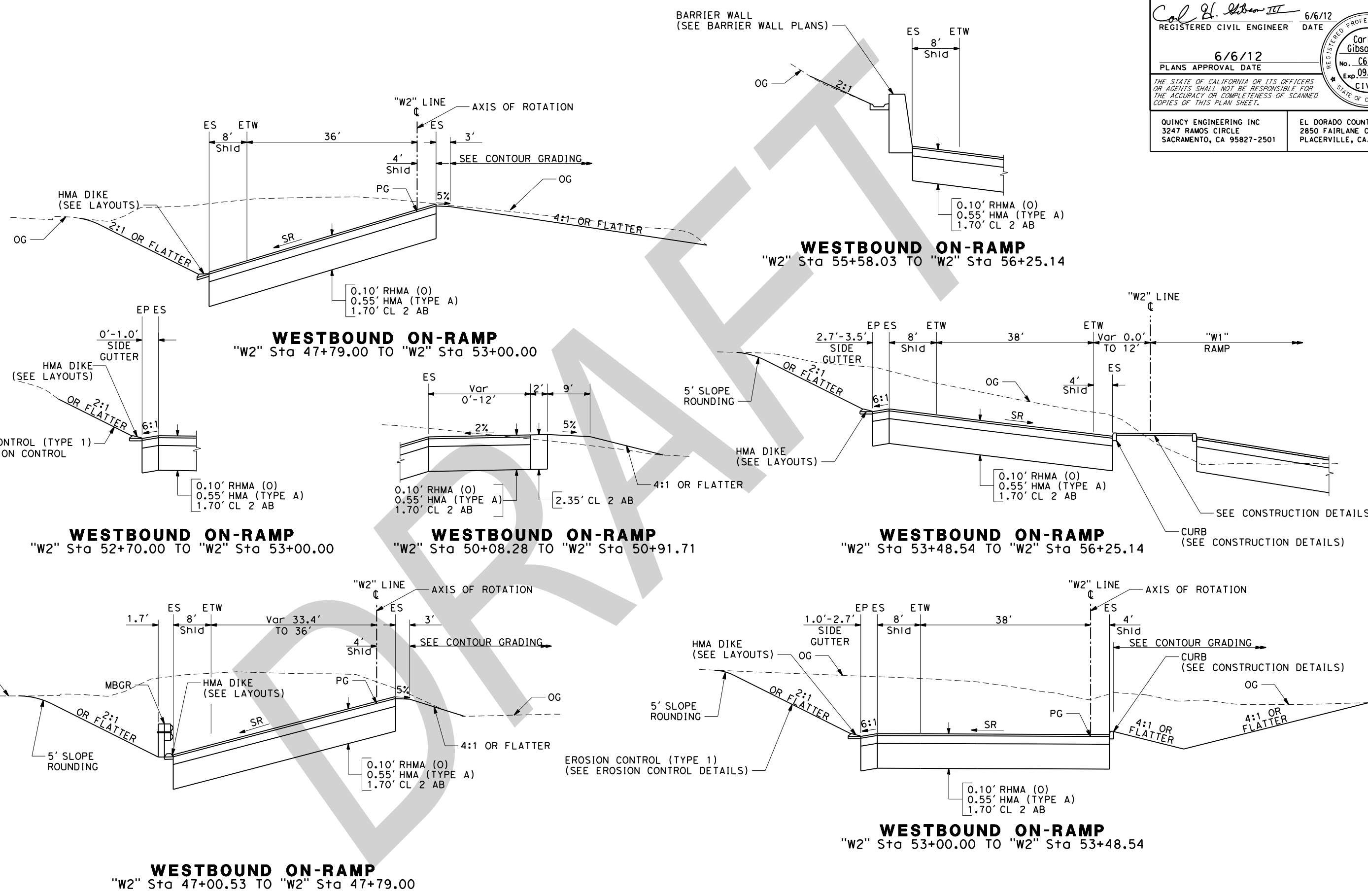
STATE OF CALIFORNIA - DEPARTMENT OF TRANSPORTATION  
 ERIN SICKLER  
 CARL GIBSON  
 R. BRENT LEMON

LAST REVISION  
 DATE PLOTTED => 6/5/2012  
 TIME PLOTTED => 4:51:35 PM

Dist	COUNTY	ROUTE	POST MILES TOTAL PROJECT	SHEET No.	TOTAL SHEETS
03	ED	50	0.60/1.35	8	245
Col. H. Gibson III REGISTERED CIVIL ENGINEER DATE 6/6/12			6/6/12 PLANS APPROVAL DATE		
THE STATE OF CALIFORNIA OR ITS OFFICERS OR AGENTS SHALL NOT BE RESPONSIBLE FOR THE ACCURACY OR COMPLETENESS OF SCANNED COPIES OF THIS PLAN SHEET.					
QUINCY ENGINEERING INC 3247 RAMOS CIRCLE SACRAMENTO, CA 95827-2501			EL DORADO COUNTY 2850 FAIRLANE COURT PLACERVILLE, CA. 95667		



STATE OF CALIFORNIA - DEPARTMENT OF TRANSPORTATION	CONSULTANT FUNCTIONAL SUPERVISOR	CALCULATED/DESIGNED BY	REVISOR
Ervin Sickler	R. Brent Lemon	Erin Sickler	Erin Sickler
Erin Sickler	R. Brent Lemon	Erin Sickler	Erin Sickler
Erin Sickler	R. Brent Lemon	Erin Sickler	Erin Sickler



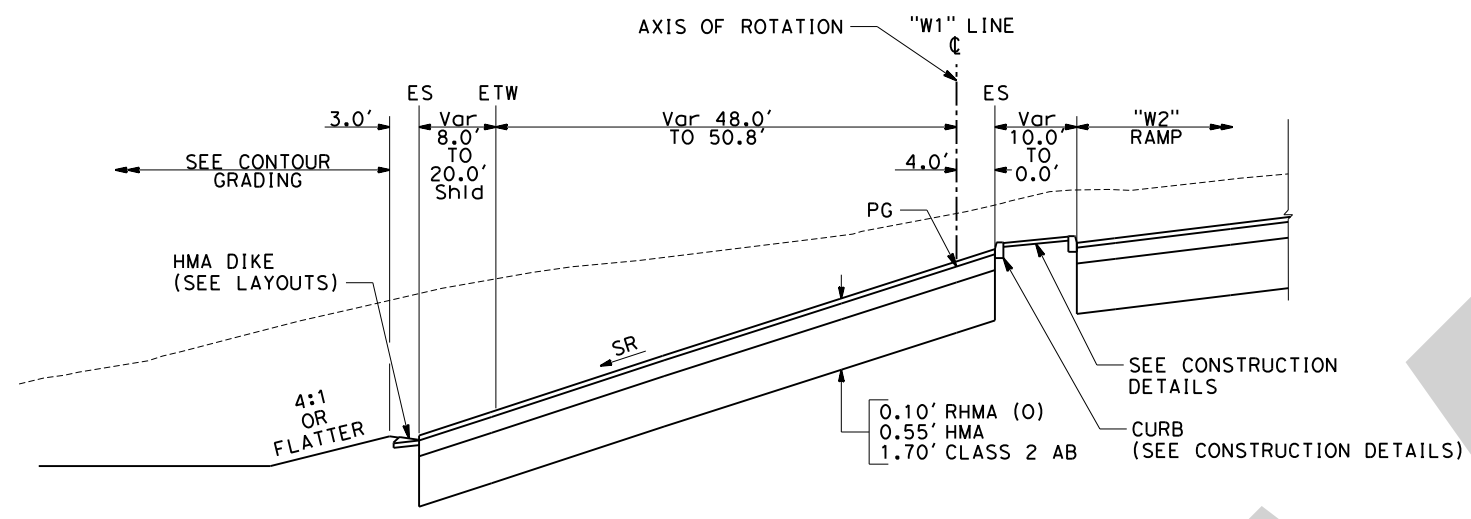
**TYPICAL CROSS SECTIONS**

NO SCALE  
12-0325.B.Page 8 of 245 **X-6**

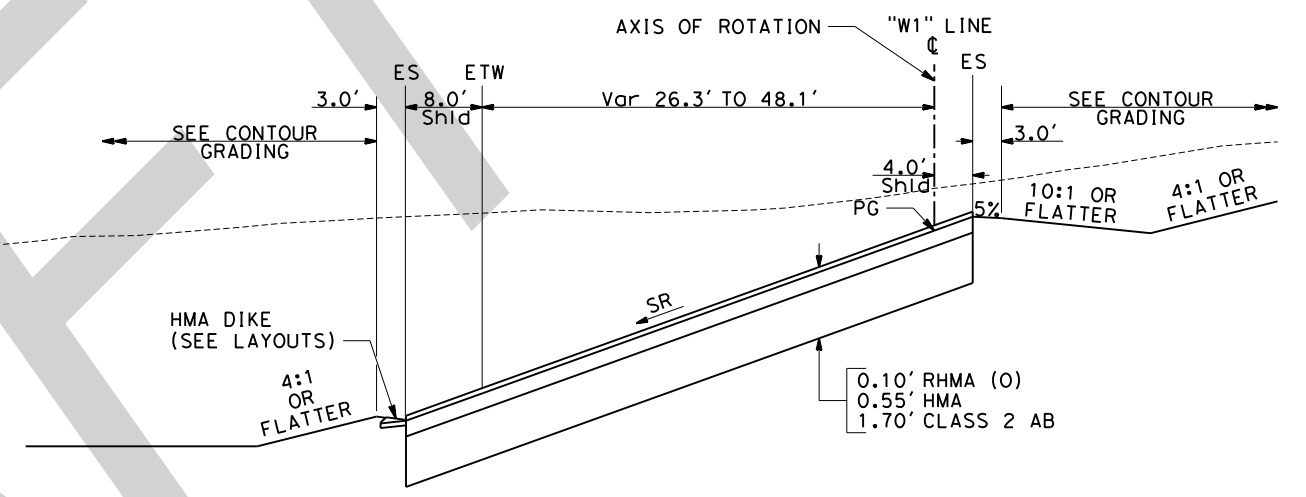
LAST REVISION DATE PLOTTED => 6/5/2012 00-00-00 TIME PLOTTED => 4:51:36 PM



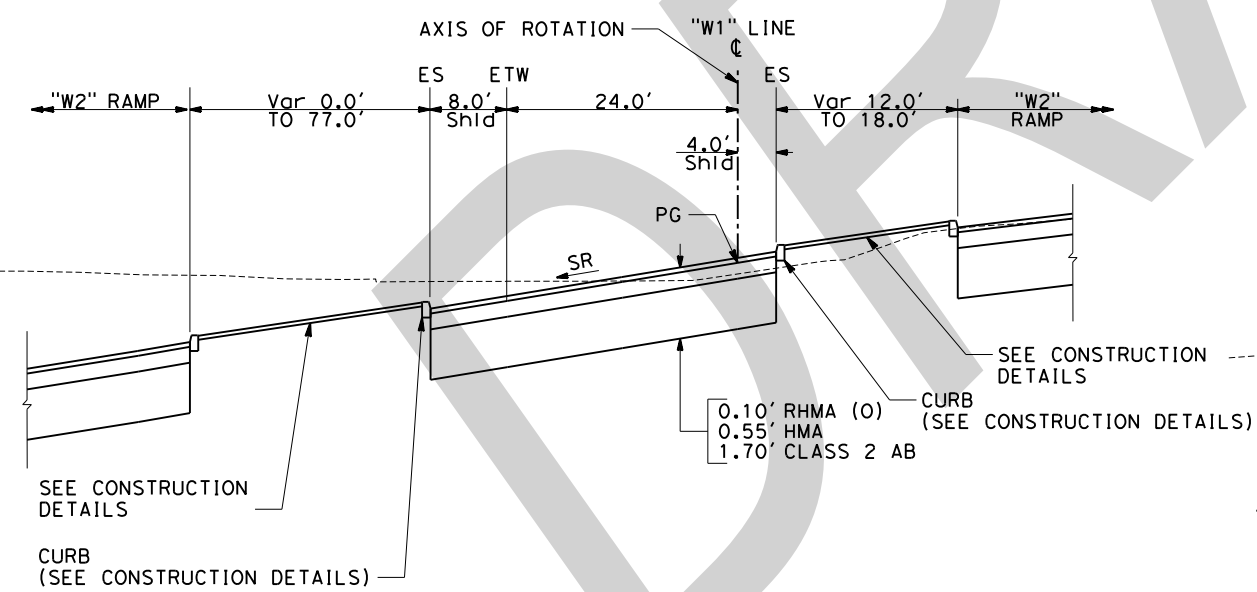
Dist	COUNTY	ROUTE	POST MILES TOTAL PROJECT	SHEET No.	TOTAL SHEETS
03	ED	50	0.60/1.35	9	245
<i>Carl H. Gibson III</i> REGISTERED CIVIL ENGINEER			6/6/12	DATE	
6/6/12 PLANS APPROVAL DATE					
QUINCY ENGINEERING INC 3247 RAMOS CIRCLE SACRAMENTO, CA 95827-2501			EL DORADO COUNTY 2850 FAIRLANE COURT PLACERVILLE, CA. 95667		



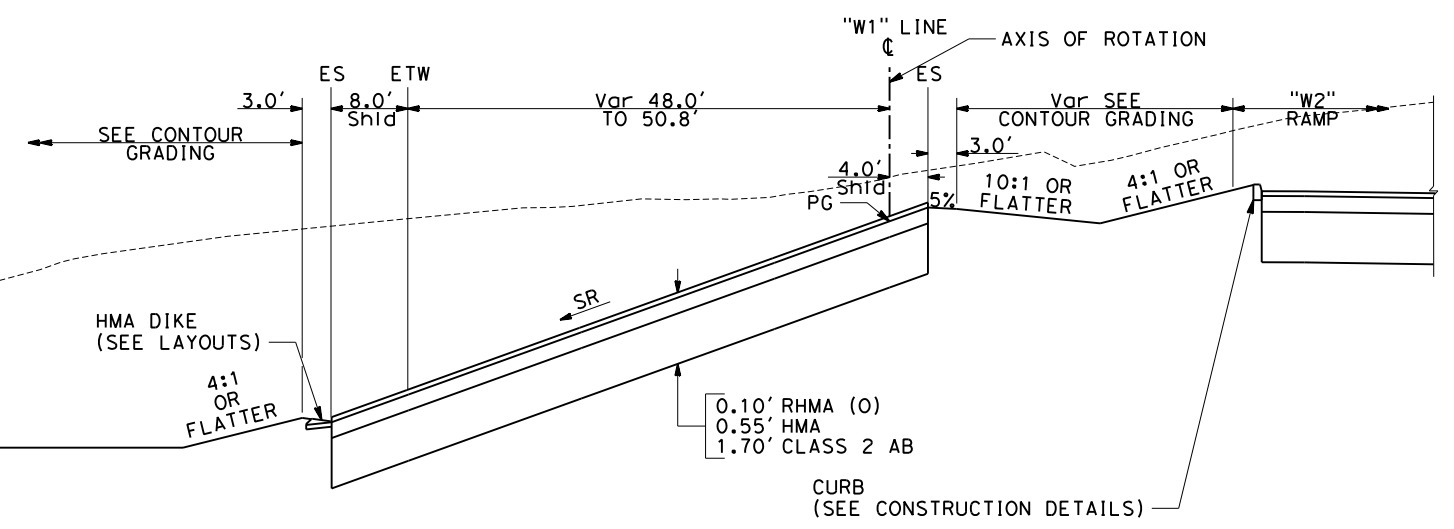
**WESTBOUND OFF-RAMP**  
 "W1" Sta 48+70.93 TO "W1" Sta 50+13.01



**WESTBOUND OFF-RAMP**  
 "W1" Sta 51+64.40 TO "W1" Sta 54+67.91 (APPROACH SLAB)



**WESTBOUND OFF-RAMP**  
 "W1" Sta 48+12.12 TO "W1" Sta 48+70.93



**WESTBOUND OFF-RAMP**  
 "W1" Sta 50+13.01 TO "W1" Sta 51+64.40

**TYPICAL CROSS SECTIONS**

NO SCALE  
 12-0325.B.Page 9 of 245 **X-7**

STATE OF CALIFORNIA - DEPARTMENT OF TRANSPORTATION  
 ErCatrans  
 CONSULTANT FUNCTIONAL SUPERVISOR: R. BRENT LEMON  
 CALCULATED/DESIGNED BY: ERIN SICKLER  
 CHECKED BY: CARL GIBSON  
 REVISED BY: DATE  
 REVISIONS: 00-00-00

DATE PLOTTED => 6/5/2012  
 TIME PLOTTED => 5:34:25 PM

**NOTES:**

1. SHOULDER AREAS WITH SUPERELEVATIONS SHALL BE PAVED RHMA-O FROM EDGE OF TRAVELWAY TO EDGE OF TRAVELWAY OR AS DIRECTED BY THE ENGINEER.

Dist	COUNTY	ROUTE	POST MILES TOTAL PROJECT	SHEET No.	TOTAL SHEETS
03	ED	50	0.60/1.35	10	245

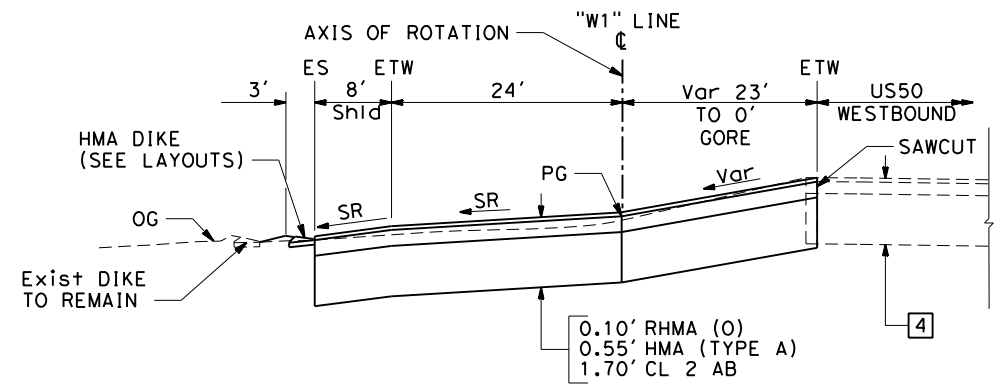
REGISTERED CIVIL ENGINEER  
 DATE 6/6/12  
 PLANS APPROVAL DATE 6/6/12  
 THE STATE OF CALIFORNIA OR ITS OFFICERS OR AGENTS SHALL NOT BE RESPONSIBLE FOR THE ACCURACY OR COMPLETENESS OF SCANNED COPIES OF THIS PLAN SHEET.

Carl H. Gibson III  
 No. C63399  
 Exp. 09/30/12  
 CIVIL  
 STATE OF CALIFORNIA

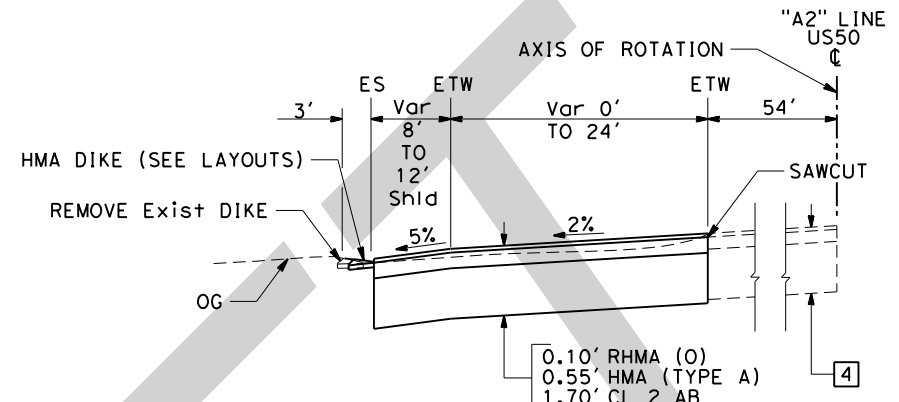
QUINCY ENGINEERING INC  
 3247 RAMOS CIRCLE  
 SACRAMENTO, CA 95827-2501

EL DORADO COUNTY  
 2850 FAIRLANE COURT  
 PLACERVILLE, CA. 95667

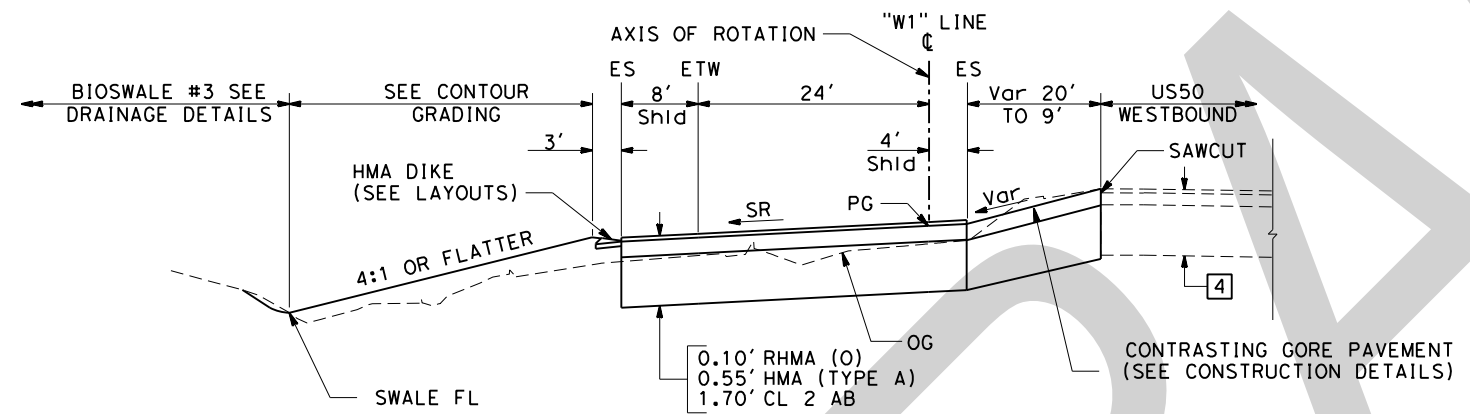
REVISIONS:  
 REVISED BY ERIN SICKLER  
 DATE REVISIONS  
 CALCULATED/DESIGNED BY  
 CHECKED BY  
 CONSULTANT SUPERVISOR R. BRENT LEMON  
 DEPARTMENT OF TRANSPORTATION  
 STATE OF CALIFORNIA



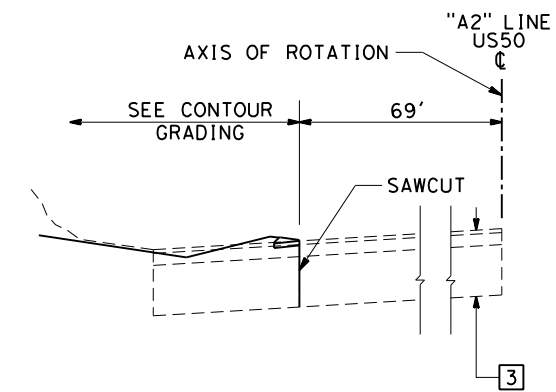
**WESTBOUND OFF-RAMP**  
"W1" Sta 64+43.10 TO "W1" Sta 67+13.74



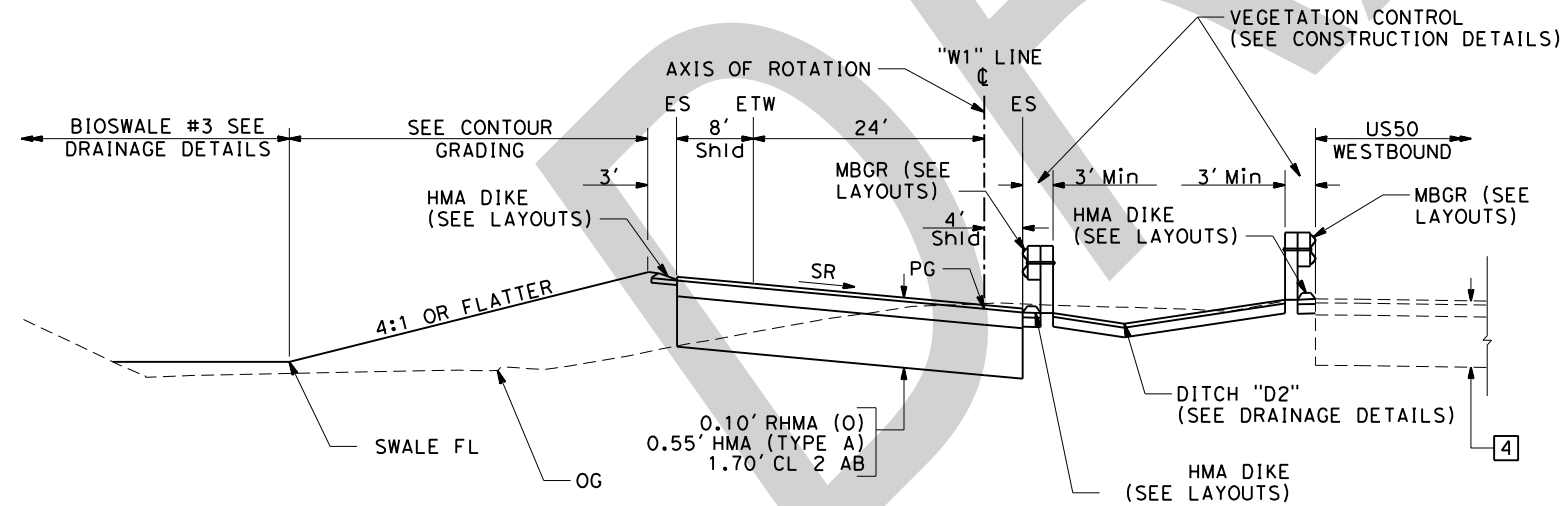
**WESTBOUND US50**  
"A2" Sta 67+13.74 TO "A2" Sta 71+50.00



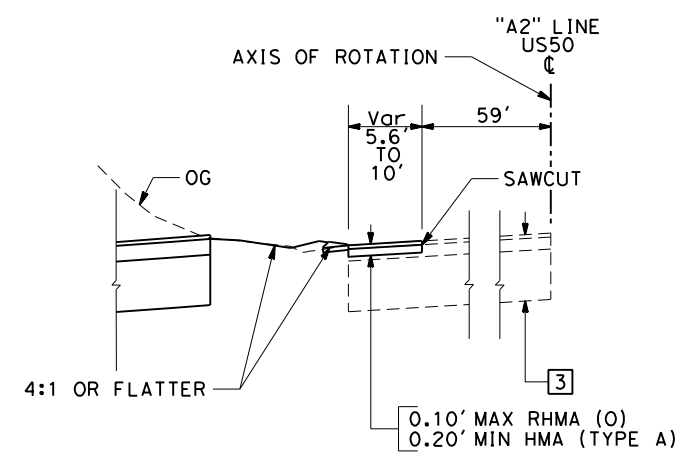
**WESTBOUND OFF-RAMP**  
"W1" Sta 63+05.44 TO "W1" Sta 64+43.10



**WESTBOUND US50**  
"A2" Sta 46+30.00 TO "A2" Sta 47+84.74



**WESTBOUND OFF-RAMP**  
"W1" Sta 57+27.91 (APPROACH SLAB) TO "W1" Sta 63+05.44



**WESTBOUND US50**  
"A2" Sta 45+15.16 TO "A2" Sta 46+30.00

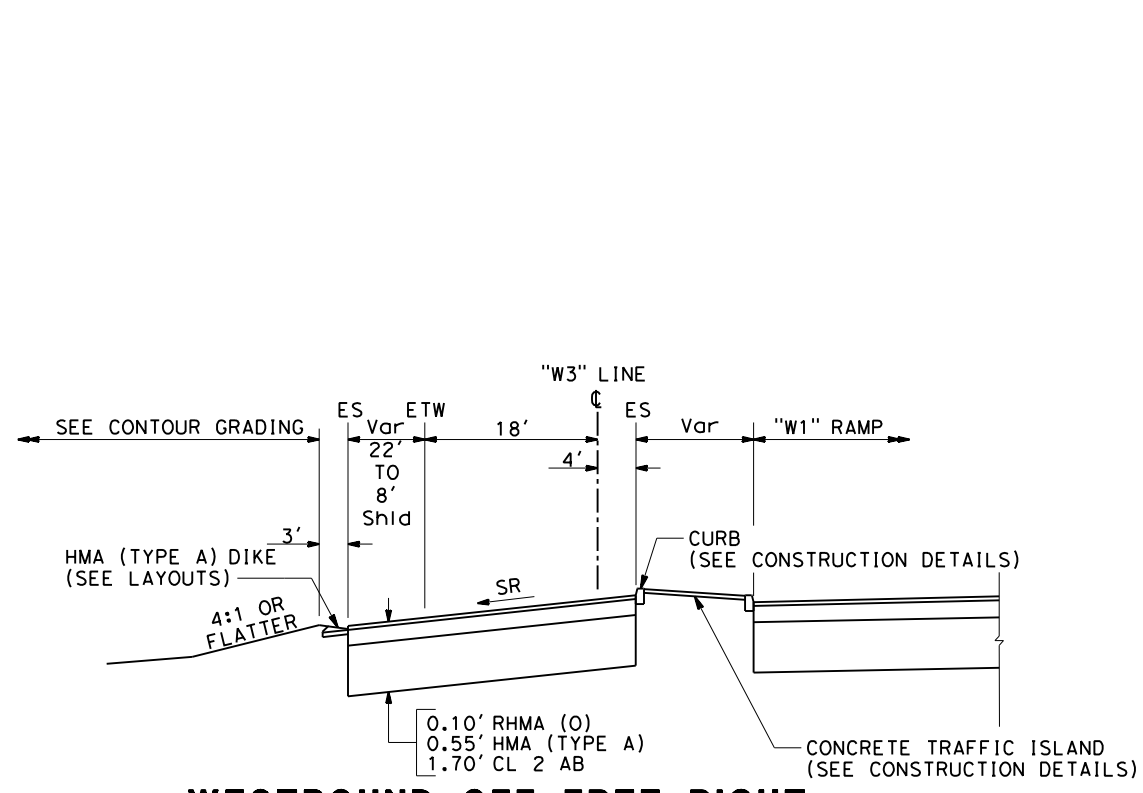
**TYPICAL CROSS SECTIONS**

NO SCALE  
12-0325.B.Page 10 of 245

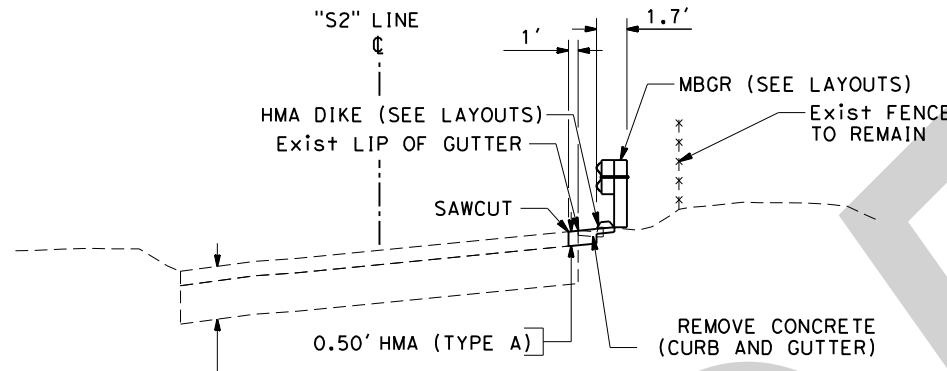
Dist	COUNTY	ROUTE	POST MILES TOTAL PROJECT	SHEET No.	TOTAL SHEETS
03	ED	50	0.60/1.35	11	245

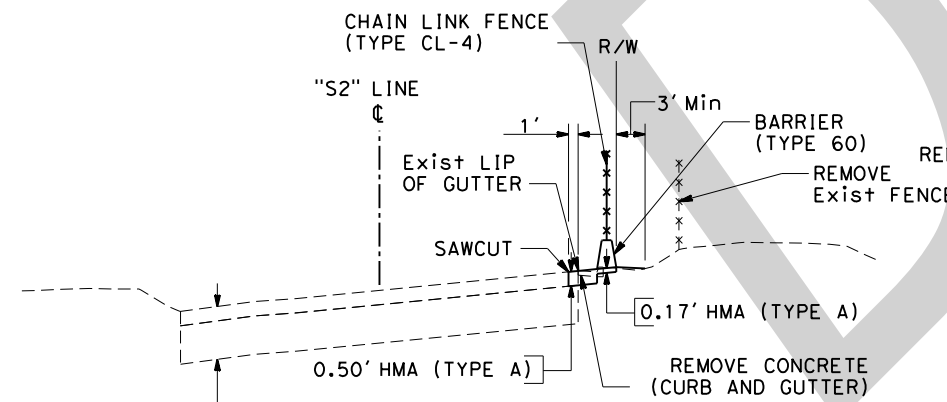
<i>Carl H. Gibson III</i> REGISTERED CIVIL ENGINEER DATE 6/6/12		
PLANS APPROVAL DATE 6/6/12		
<small>THE STATE OF CALIFORNIA OR ITS OFFICERS OR AGENTS SHALL NOT BE RESPONSIBLE FOR THE ACCURACY OR COMPLETENESS OF SCANNED COPIES OF THIS PLAN SHEET.</small>		
QUINCY ENGINEERING INC 3247 RAMOS CIRCLE SACRAMENTO, CA 95827-2501		EL DORADO COUNTY 2850 FAIRLANE COURT PLACERVILLE, CA. 95667



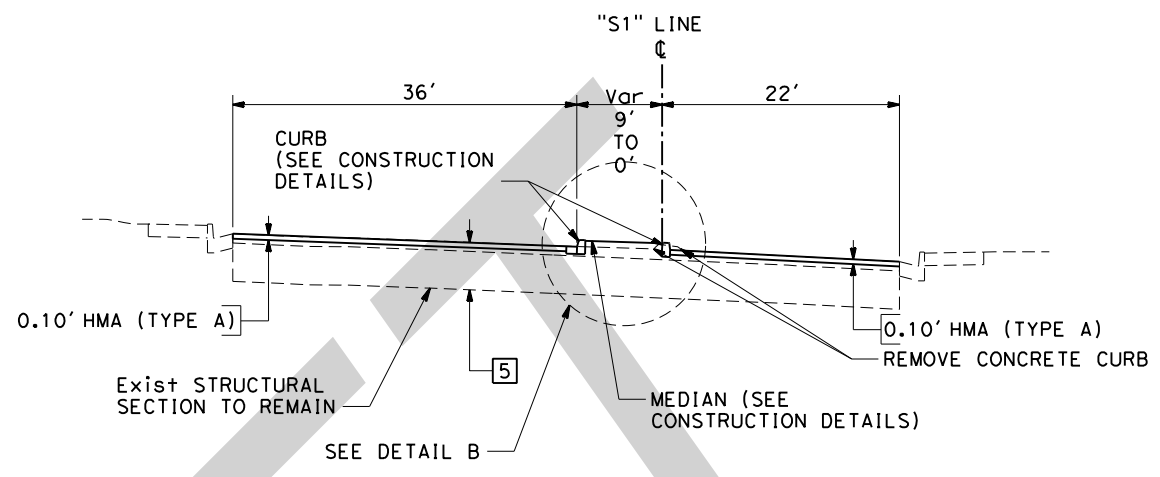
**WESTBOUND OFF FREE RIGHT**  
 "W3" Sta 47+18.96 TO "W3" Sta 50+13.01



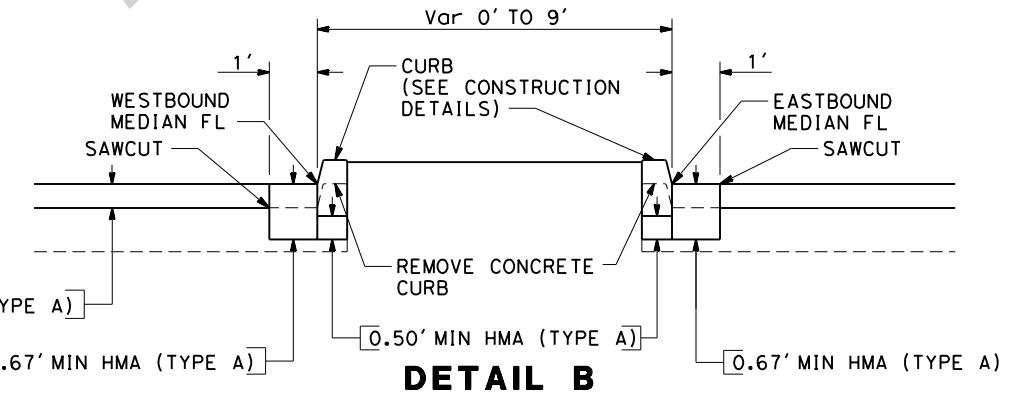
**SARATOGA WAY**  
 "S2" Sta 40+90.00 TO "S2" Sta 42+00.00  
 "S2" Sta 50+00.00 TO "S2" Sta 51+06.61



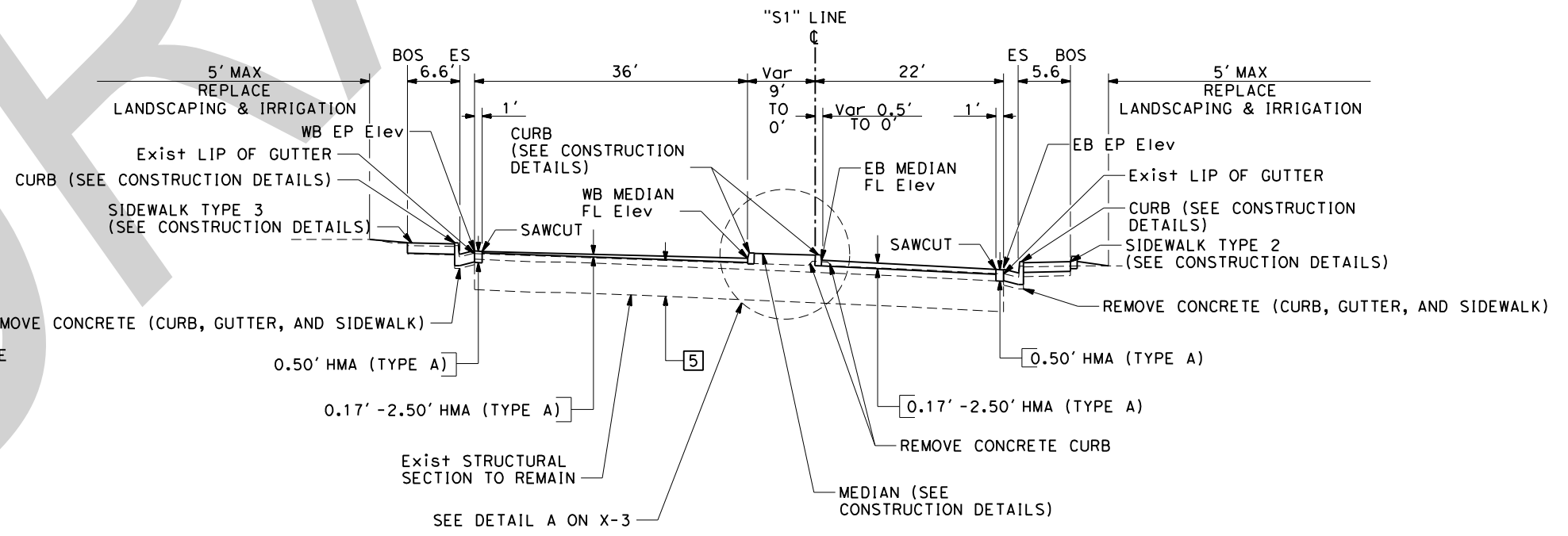
**SARATOGA WAY**  
 "S2" Sta 42+00.00 TO "S2" Sta 50+00.00



**SARATOGA WAY**  
 "S1" Sta 51+70.00 TO "S1" Sta 52+25.71



**DETAIL B**



**SARATOGA WAY**  
 "S1" Sta 50+00.00 TO "S1" Sta 51+70.00

**TYPICAL CROSS SECTIONS**

NO SCALE  
 12-0325.B. Page 11 of 245 **X-9**

STATE OF CALIFORNIA - DEPARTMENT OF TRANSPORTATION  
 ERIN SICKLER  
 CARL GIBSON  
 R. BRENT LEMON

DATE PLOTTED => 6/5/2012  
 TIME PLOTTED => 4:51:38 PM

STATE OF CALIFORNIA - DEPARTMENT OF TRANSPORTATION	CONSULTANT FUNCTIONAL SUPERVISOR	CALCULATED/DESIGNED BY	REVISOR
<b>Caltrans</b>	R. BRENT LEMON	CHECKED BY	BOB MAECHLER
			CARL GIBSON
			DATE REVISOR

Dist	COUNTY	ROUTE	POST MILES TOTAL PROJECT	SHEET No.	TOTAL SHEETS
03	ED	50	0.60/1.35	12	245

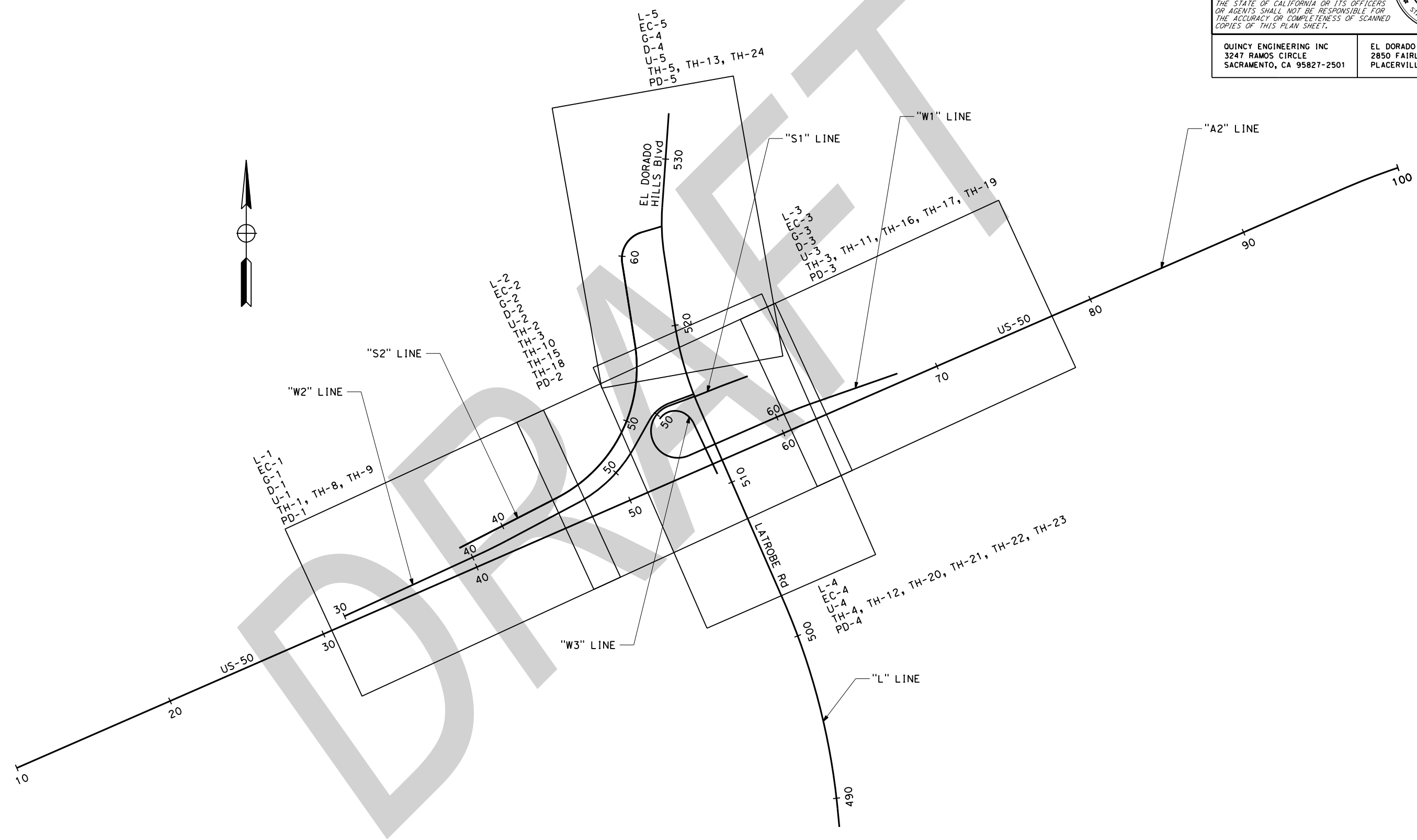
REGISTERED CIVIL ENGINEER *Carl H. Gibson III* DATE 6/6/12  
 PLANS APPROVAL DATE 6/6/12

REGISTERED PROFESSIONAL ENGINEER  
 Carl H. Gibson III  
 No. C63399  
 Exp. 09/30/12  
 CIVIL  
 STATE OF CALIFORNIA

QUINCY ENGINEERING INC  
 3247 RAMOS CIRCLE  
 SACRAMENTO, CA 95827-2501

EL DORADO COUNTY  
 2850 FAIRLANE COURT  
 PLACERVILLE, CA. 95667

THE STATE OF CALIFORNIA OR ITS OFFICERS OR AGENTS SHALL NOT BE RESPONSIBLE FOR THE ACCURACY OR COMPLETENESS OF SCANNED COPIES OF THIS PLAN SHEET.



# KEY MAP AND LINE INDEX

NO SCALE  
12-0325.B. Page 12 of 245

**K-1**



FOR COMPLETE RIGHT OF WAY AND ACCURATE ACCESS DATA, SEE RIGHT OF WAY RECORD MAPS AT DISTRICT OFFICE, AND COUNTY SURVEYORS OFFICE.

**NOTES:**

1. SEE CONSTRUCTION DETAILS FOR COLD PLANE AND OVERLAY DETAILS
2. SEE CONSTRUCTION DETAILS FOR ALL HMA DIKE TRANSITION DETAILS.
3. SEE CONSTRUCTION DETAILS FOR ALL BARRIER AND MBGR DETAILS.
4. PAVE OR PLACE VEGETATION CONTROL (MINOR CONCRETE) UNDER ALL MBGR AS SHOWN ON CONSTRUCTION DETAILS.

**LEGEND:**

- DIRECTION OF TRAFFIC
- ENVIRONMENTALLY SENSITIVE AREA (ESA)
- CONTRASTING SURFACE TREATMENT
- PAVEMENT RECONSTRUCTION
- 0.10' HMA OVERLAY
- COLD PLANE (0.10') AND HMA OVERLAY
- PAVEMENT REHABILITATION

**ABBREVIATIONS:**

- TCE TEMPORARY CONSTRUCTION EASEMENT
- ICO IRRIGATION CROSSOVER
- MVP MAINTENANCE VEHICLE PULLOUT
- CHP CALIFORNIA HIGHWAY PATROL
- CR CURB RAMP
- PSE PUBLIC SERVICE EASEMENT

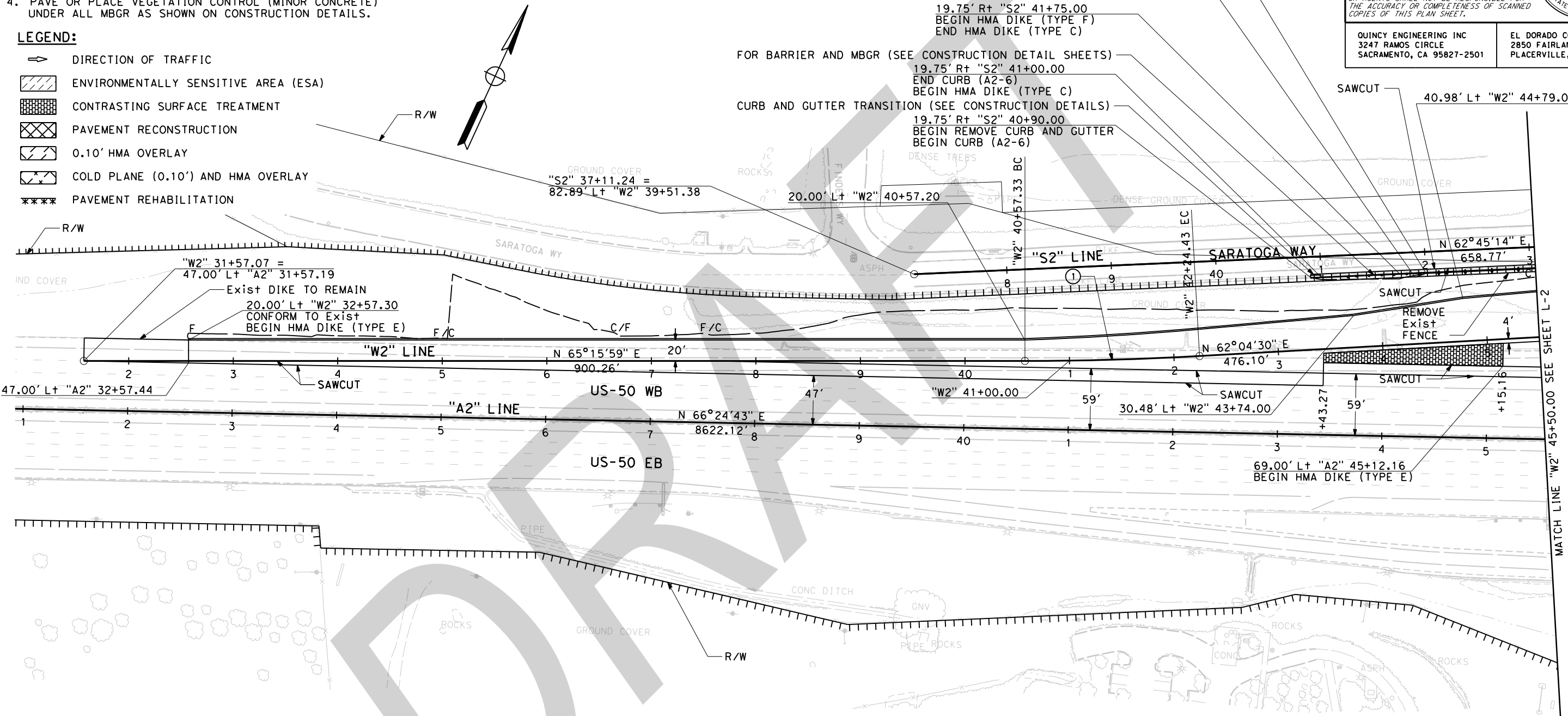
20.75' R+ "S2" 42+00.00  
 CENTERLINE OF BARRIER  
 BEGIN BARRIER (TYPE 60)  
 END CHAIN LINK FENCE (TYPE CL-6)  
 END PLACE HMA DIKE (TYPE F)  
 BEGIN CHAIN LINK FENCE (TYPE CL-4)

23.91' R+ "S2" 41+90.00  
 BEGIN CHAIN LINK FENCE (TYPE CL-6)  
 BEGIN REMOVE Exist FENCE

19.75' R+ "S2" 41+75.00  
 BEGIN HMA DIKE (TYPE F)  
 END HMA DIKE (TYPE C)

FOR BARRIER AND MBGR (SEE CONSTRUCTION DETAIL SHEETS)  
 19.75' R+ "S2" 41+00.00  
 END CURB (A2-6)  
 BEGIN HMA DIKE (TYPE C)  
 CURB AND GUTTER TRANSITION (SEE CONSTRUCTION DETAILS)  
 19.75' R+ "S2" 40+90.00  
 BEGIN REMOVE CURB AND GUTTER  
 BEGIN CURB (A2-6)

SAWCUT  
 40.98' Lt "W2" 44+79.00



**CURVE DATA**

No.	R	Δ	T	L
1	3,000.00'	03° 11' 29"	83.57'	167.10'

QUINCY ENGINEERING INC  
 3247 RAMOS CIRCLE  
 SACRAMENTO, CA 95827-2501

EL DORADO COUNTY  
 2850 FAIRLANE COURT  
 PLACERVILLE, CA. 95667

Dist	COUNTY	ROUTE	POST MILES TOTAL PROJECT	SHEET No.	TOTAL SHEETS
03	ED	50	0.60/1.35	13	245

6/6/12  
 REGISTERED CIVIL ENGINEER DATE

6/6/12  
 PLANS APPROVAL DATE

THE STATE OF CALIFORNIA OR ITS OFFICERS OR AGENTS SHALL NOT BE RESPONSIBLE FOR THE ACCURACY OR COMPLETENESS OF SCANNED COPIES OF THIS PLAN SHEET.

Carl H. Gibson III  
 No. C63399  
 Exp. 09/30/12  
 CIVIL  
 STATE OF CALIFORNIA

STATE OF CALIFORNIA - DEPARTMENT OF TRANSPORTATION



CONSULTANT FUNCTIONAL SUPERVISOR  
 R. BRENT LEMON

CALCULATED-DESIGNED BY  
 CHECKED BY

MATT RUBLE  
 CARL GIBSON

REVISED BY  
 DATE REVISED

FOR COMPLETE RIGHT OF WAY AND ACCURATE ACCESS DATA, SEE RIGHT OF WAY RECORD MAPS AT DISTRICT OFFICE, AND COUNTY SURVEYORS OFFICE.

**LAYOUT**

SCALE: 1"=50'  
 12-0325.B.Page 13 of 245

**L-1**

LAST REVISION DATE PLOTTED => 6/5/2012  
 00-00-00 TIME PLOTTED => 4:51:40 PM

FOR COMPLETE RIGHT OF WAY AND ACCURATE ACCESS DATA, SEE RIGHT OF WAY RECORD MAPS AT DISTRICT OFFICE, AND COUNTY SURVEYORS OFFICE.

CURB AND GUTTER TRANSITION (SEE CONSTRUCTION DETAILS)

FOR BARRIER AND MBGR (SEE CONSTRUCTION DETAIL SHEETS)

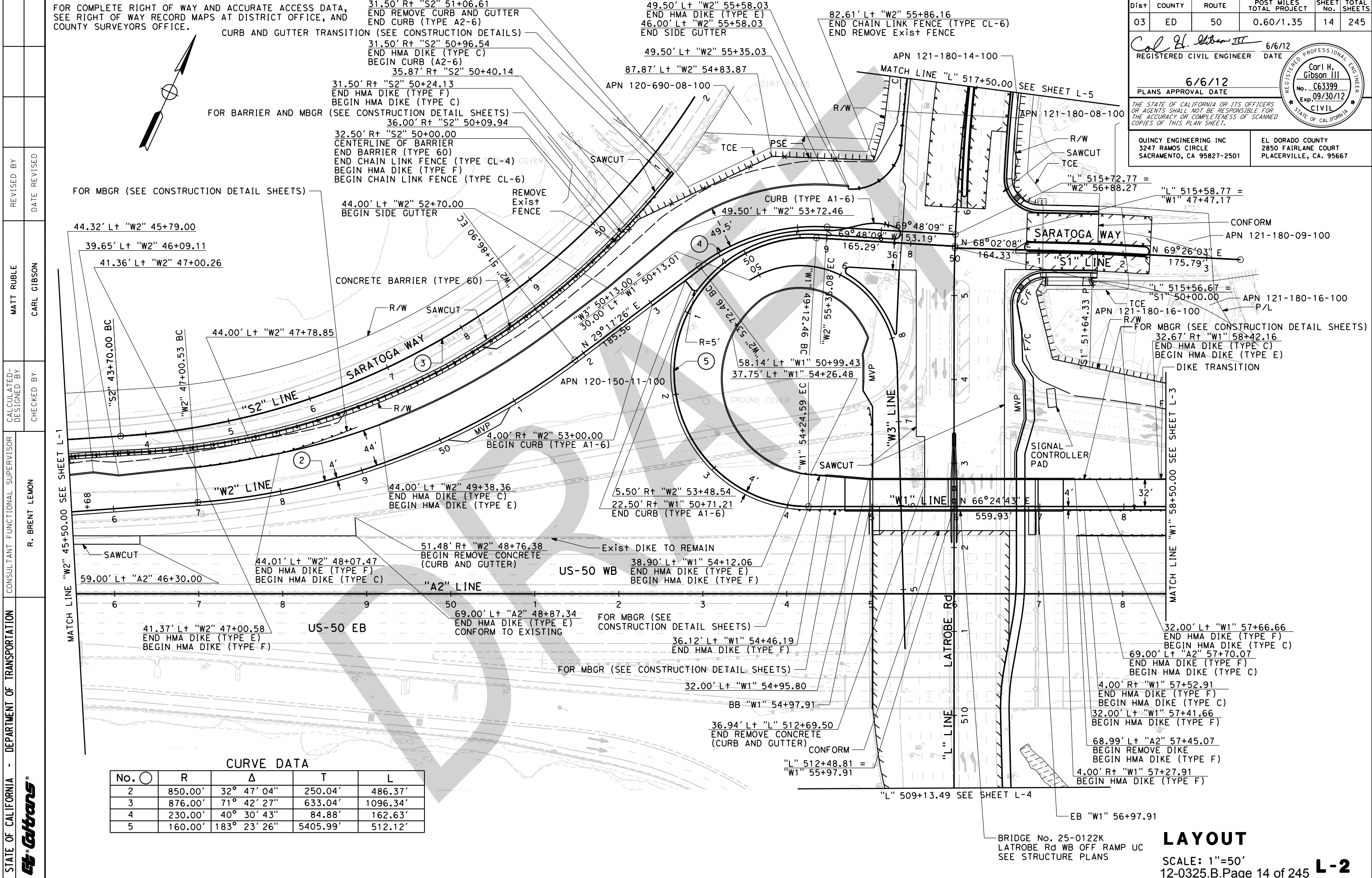
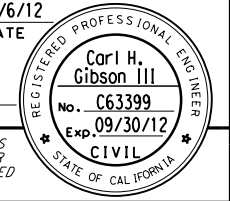
FOR MBGR (SEE CONSTRUCTION DETAIL SHEETS)

Dist	COUNTY	ROUTE	POST MILES TOTAL PROJECT	SHEET No.	TOTAL SHEETS
03	ED	50	0.60/1.35	14	245

*Carl H. Gibson III* 6/6/12  
 REGISTERED CIVIL ENGINEER DATE  
 6/6/12  
 PLANS APPROVAL DATE  
 THE STATE OF CALIFORNIA OR ITS OFFICERS OR AGENTS SHALL NOT BE RESPONSIBLE FOR THE ACCURACY OR COMPLETENESS OF SCANNED COPIES OF THIS PLAN SHEET.

QUINCY ENGINEERING INC  
 3247 RAMOS CIRCLE  
 SACRAMENTO, CA 95827-2501

EL DORADO COUNTY  
 2850 FAIRLANE COURT  
 PLACERVILLE, CA. 95667



**CURVE DATA**

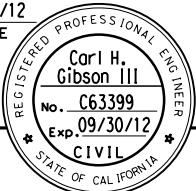
No.	R	Δ	T	L
2	850.00'	32° 47' 04"	250.04'	486.37'
3	876.00'	71° 42' 27"	633.04'	1096.34'
4	230.00'	40° 30' 43"	84.88'	162.63'
5	160.00'	183° 23' 26"	5405.99'	512.12'

**LAYOUT**  
 SCALE: 1"=50'  
 12-0325.B.Page 14 of 245 **L-2**

FOR COMPLETE RIGHT OF WAY AND ACCURATE ACCESS DATA,  
SEE RIGHT OF WAY RECORD MAPS AT DISTRICT OFFICE, AND  
COUNTY SURVEYORS OFFICE.

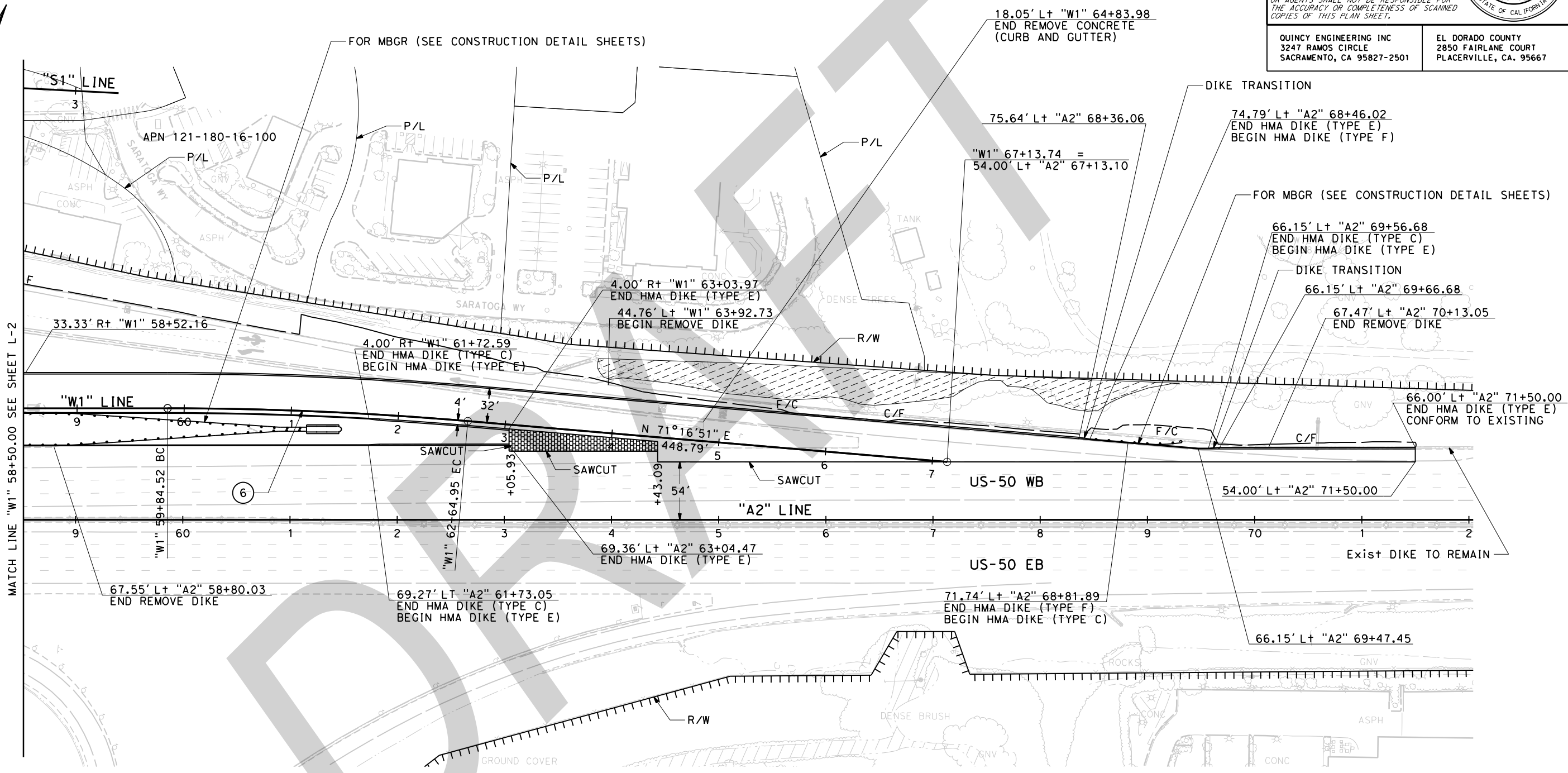
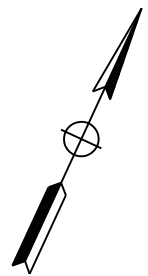
Dist	COUNTY	ROUTE	POST MILES TOTAL PROJECT	SHEET No.	TOTAL SHEETS
03	ED	50	0.60/1.35	15	245

*Carl H. Gibson III* 6/6/12  
 REGISTERED CIVIL ENGINEER DATE  
 PLANS APPROVAL DATE  
 6/6/12  
 THE STATE OF CALIFORNIA OR ITS OFFICERS OR AGENTS SHALL NOT BE RESPONSIBLE FOR THE ACCURACY OR COMPLETENESS OF SCANNED COPIES OF THIS PLAN SHEET.



QUINCY ENGINEERING INC  
 3247 RAMOS CIRCLE  
 SACRAMENTO, CA 95827-2501  
 EL DORADO COUNTY  
 2850 FAIRLANE COURT  
 PLACERVILLE, CA. 95667

STATE OF CALIFORNIA - DEPARTMENT OF TRANSPORTATION	CONSULTANT FUNCTIONAL SUPERVISOR	CALCULATED/DESIGNED BY	REVISED BY
St. Catrans	R. BRENT LEMON	CHECKED BY	MATT RUBLE
			CARL GIBSON
			DATE REVISED



**CURVE DATA**

No.	R	Δ	T	L
6	3,300.00'	04° 52' 08"	140.30	280.43'

**LAYOUT**  
 SCALE: 1"=50'  
 12-0325.B. Page 15 of 245 **L-3**

LAST REVISION: DATE PLOTTED => 6/5/2012 TIME PLOTTED => 4:51:42 PM

FOR COMPLETE RIGHT OF WAY AND ACCURATE ACCESS DATA,  
SEE RIGHT OF WAY RECORD MAPS AT DISTRICT OFFICE, AND  
COUNTY SURVEYORS OFFICE.

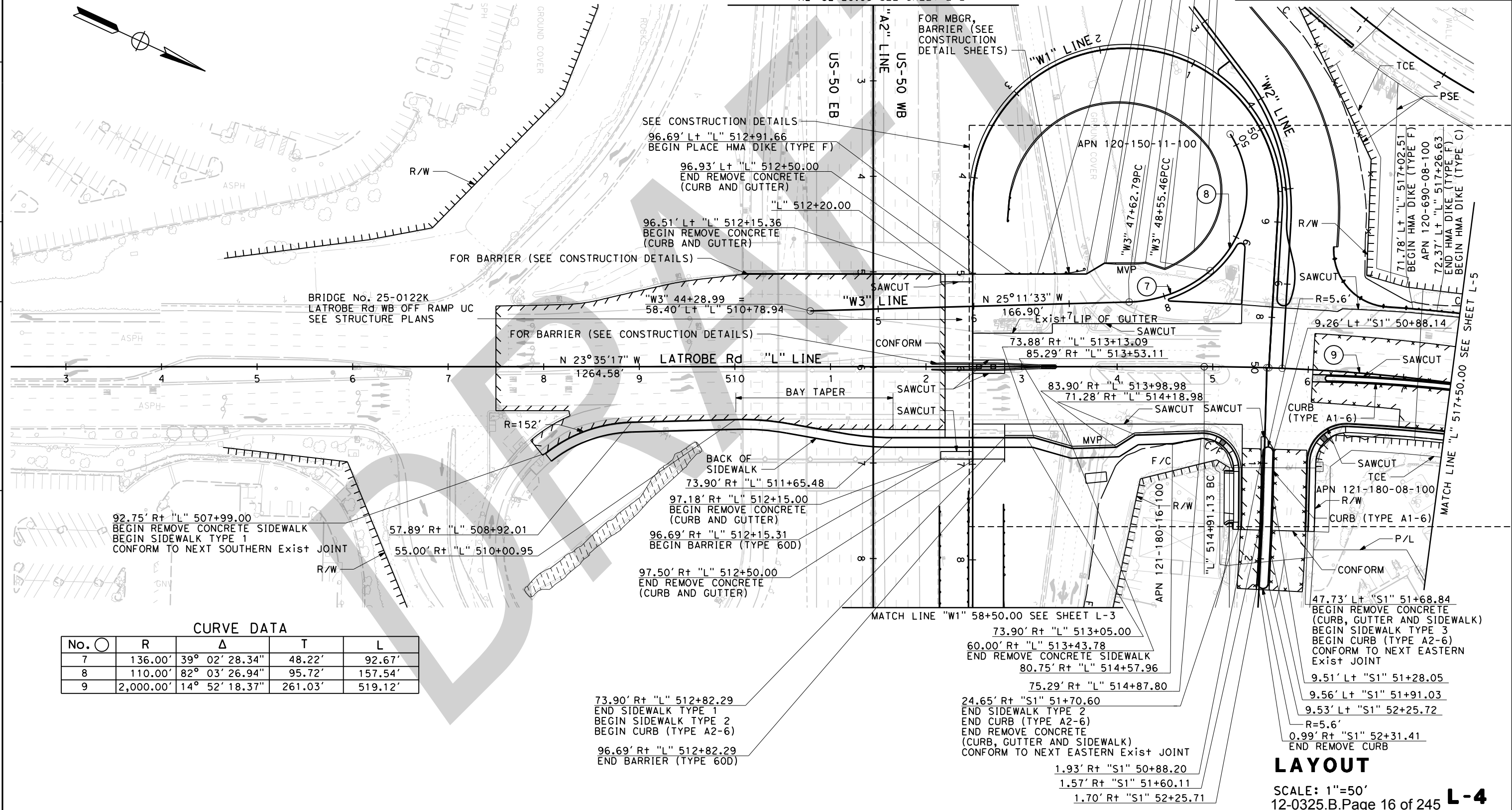
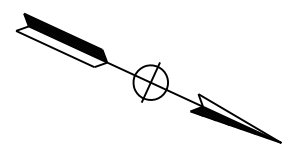
Dist	COUNTY	ROUTE	POST MILES TOTAL PROJECT	SHEET No.	TOTAL SHEETS
03	ED	50	0.60/1.35	16	245

REGISTERED CIVIL ENGINEER  
 DATE 6/6/12  
 PLANS APPROVAL DATE 6/6/12  
 THE STATE OF CALIFORNIA OR ITS OFFICERS OR AGENTS SHALL NOT BE RESPONSIBLE FOR THE ACCURACY OR COMPLETENESS OF SCANNED COPIES OF THIS PLAN SHEET.

QUINCY ENGINEERING INC  
 3247 RAMOS CIRCLE  
 SACRAMENTO, CA 95827-2501

EL DORADO COUNTY  
 2850 FAIRLANE COURT  
 PLACERVILLE, CA. 95667

REVISIONS:  
 REVISED BY: MATT RUBLE  
 DATE REVISED:  
 CALCULATED/DESIGNED BY: CARL GIBSON  
 CHECKED BY:  
 CONSULTANT FUNCTIONAL SUPERVISOR: R. BRENT LEMON  
 DEPARTMENT OF TRANSPORTATION  
 STATE OF CALIFORNIA



**CURVE DATA**

No.	R	Δ	T	L
7	136.00'	39° 02' 28.34"	48.22'	92.67'
8	110.00'	82° 03' 26.94"	95.72'	157.54'
9	2,000.00'	14° 52' 18.37"	261.03'	519.12'

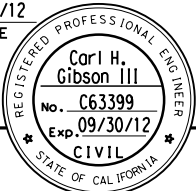
LAST REVISION: DATE PLOTTED => 6/5/2012  
 00-00-00 TIME PLOTTED => 4:51:42 PM



FOR COMPLETE RIGHT OF WAY AND ACCURATE ACCESS DATA,  
SEE RIGHT OF WAY RECORD MAPS AT DISTRICT OFFICE, AND  
COUNTY SURVEYORS OFFICE.

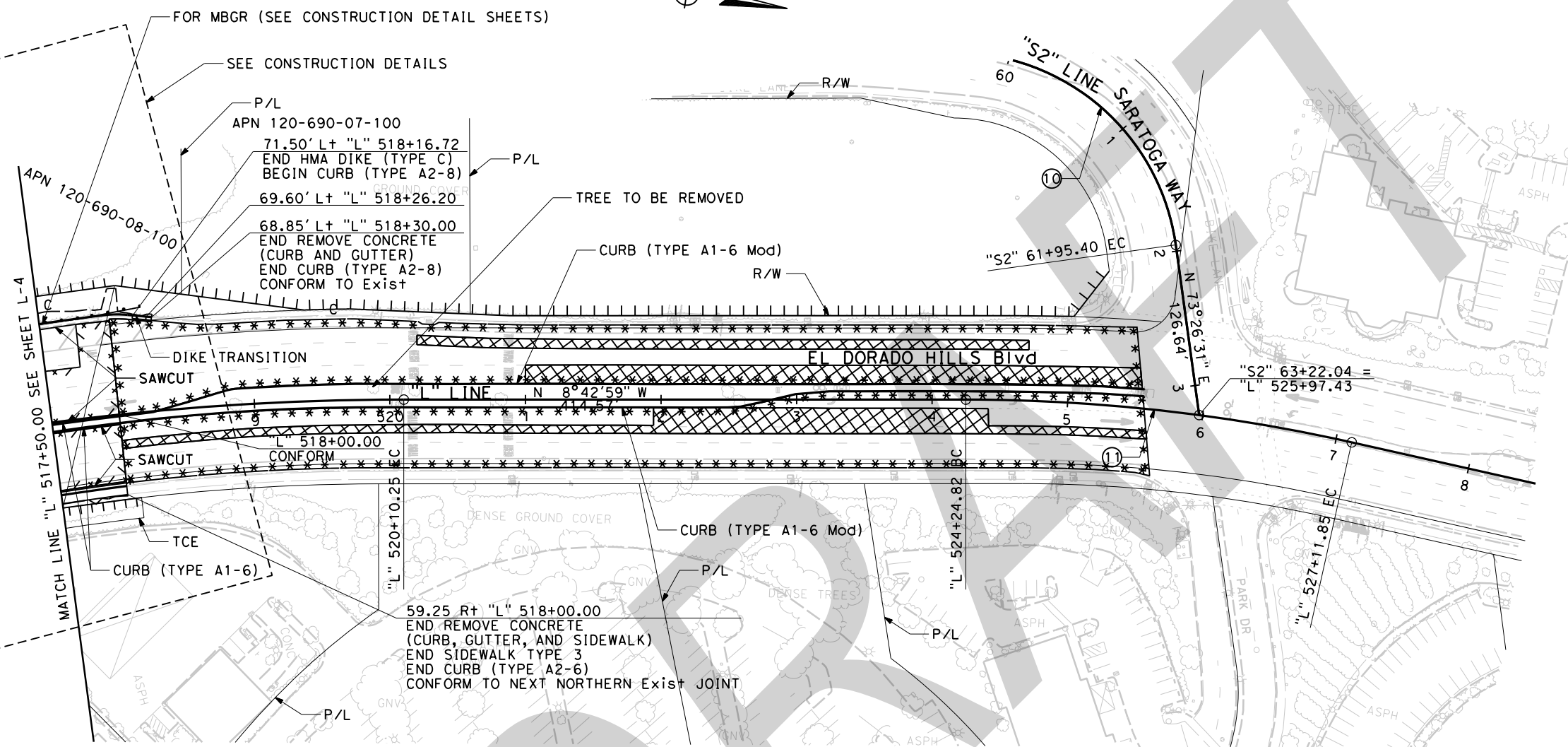
Dist	COUNTY	ROUTE	POST MILES TOTAL PROJECT	SHEET No.	TOTAL SHEETS
03	ED	50	0.60/1.35	17	245

*Carl H. Gibson III* 6/6/12  
 REGISTERED CIVIL ENGINEER DATE  
 6/6/12  
 PLANS APPROVAL DATE  
 THE STATE OF CALIFORNIA OR ITS OFFICERS OR AGENTS SHALL NOT BE RESPONSIBLE FOR THE ACCURACY OR COMPLETENESS OF SCANNED COPIES OF THIS PLAN SHEET.



QUINCY ENGINEERING INC  
 3247 RAMOS CIRCLE  
 SACRAMENTO, CA 95827-2501  
 EL DORADO COUNTY  
 2850 FAIRLANE COURT  
 PLACERVILLE, CA. 95667

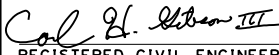
STATE OF CALIFORNIA - DEPARTMENT OF TRANSPORTATION  
 Caltrans®  
 CONSULTANT FUNCTIONAL SUPERVISOR  
 R. BRENT LEMON  
 CALCULATED/DESIGNED BY  
 CHECKED BY  
 MATT RUBLE  
 CARL GIBSON  
 REVISED BY  
 DATE REVISED

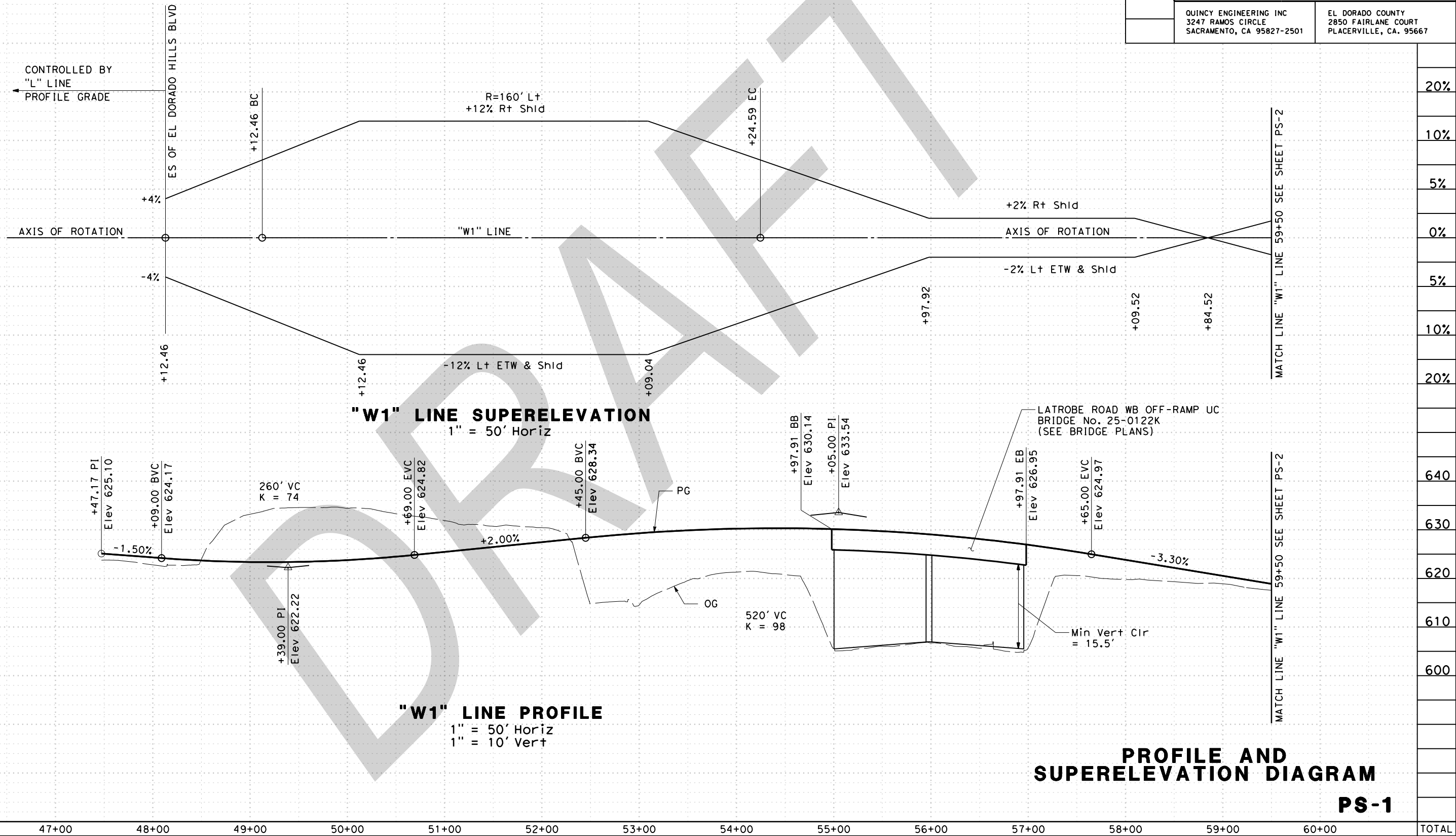


CURVE DATA

No. ○	R	Δ	T	L
10	164.00'	82° 23' 44"	143.56'	235.84'
11	1,300.00'	12° 39' 01"	144.10'	287.03'

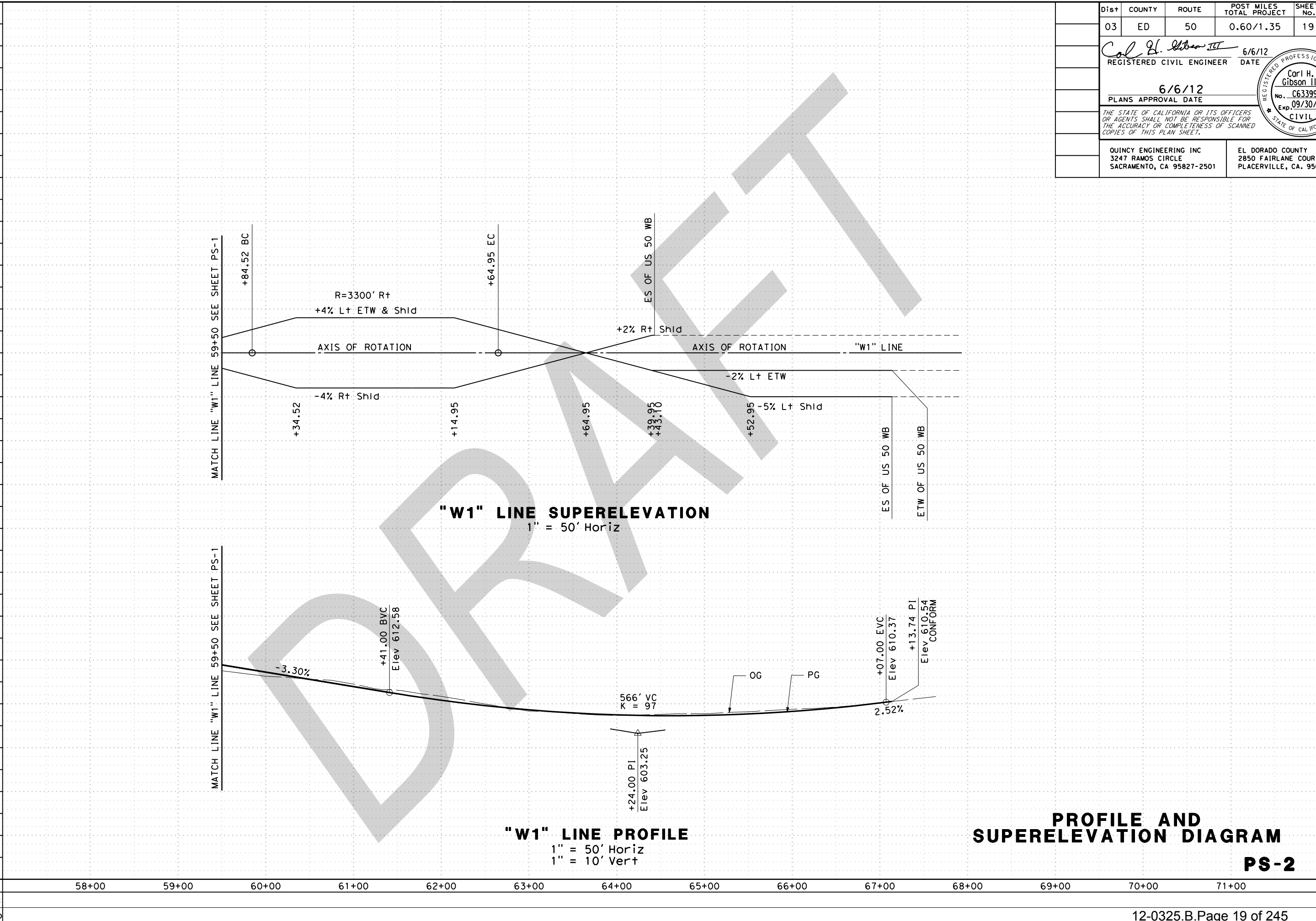
STATE OF CALIFORNIA - DEPARTMENT OF TRANSPORTATION	CONSULTANT SUPERVISOR	R. BRENT LEMON
	CALCULATED-DESIGNED BY	CHECKED BY
REVISOR	CARL GIBSON	DATE
	MICHAEL SANCHEZ	REVISION
REVISION	20%	
	10%	
REVISION	5%	
	0%	
REVISION	5%	
	10%	
REVISION	20%	
	640	
REVISION	630	
	620	
REVISION	610	
	600	
STATION	47+00	48+00
CY	Exc	
	Emb	

Dist	COUNTY	ROUTE	POST MILES TOTAL PROJECT	SHEET No.	TOTAL SHEETS
03	ED	50	0.60/1.35	18	245
 REGISTERED CIVIL ENGINEER			6/6/12	DATE	
PLANS APPROVAL DATE 6/6/12					
THE STATE OF CALIFORNIA OR ITS OFFICERS OR AGENTS SHALL NOT BE RESPONSIBLE FOR THE ACCURACY OR COMPLETENESS OF SCANNED COPIES OF THIS PLAN SHEET.					
QUINCY ENGINEERING INC 3247 RAMOS CIRCLE SACRAMENTO, CA 95827-2501			EL DORADO COUNTY 2850 FAIRLANE COURT PLACERVILLE, CA. 95667		



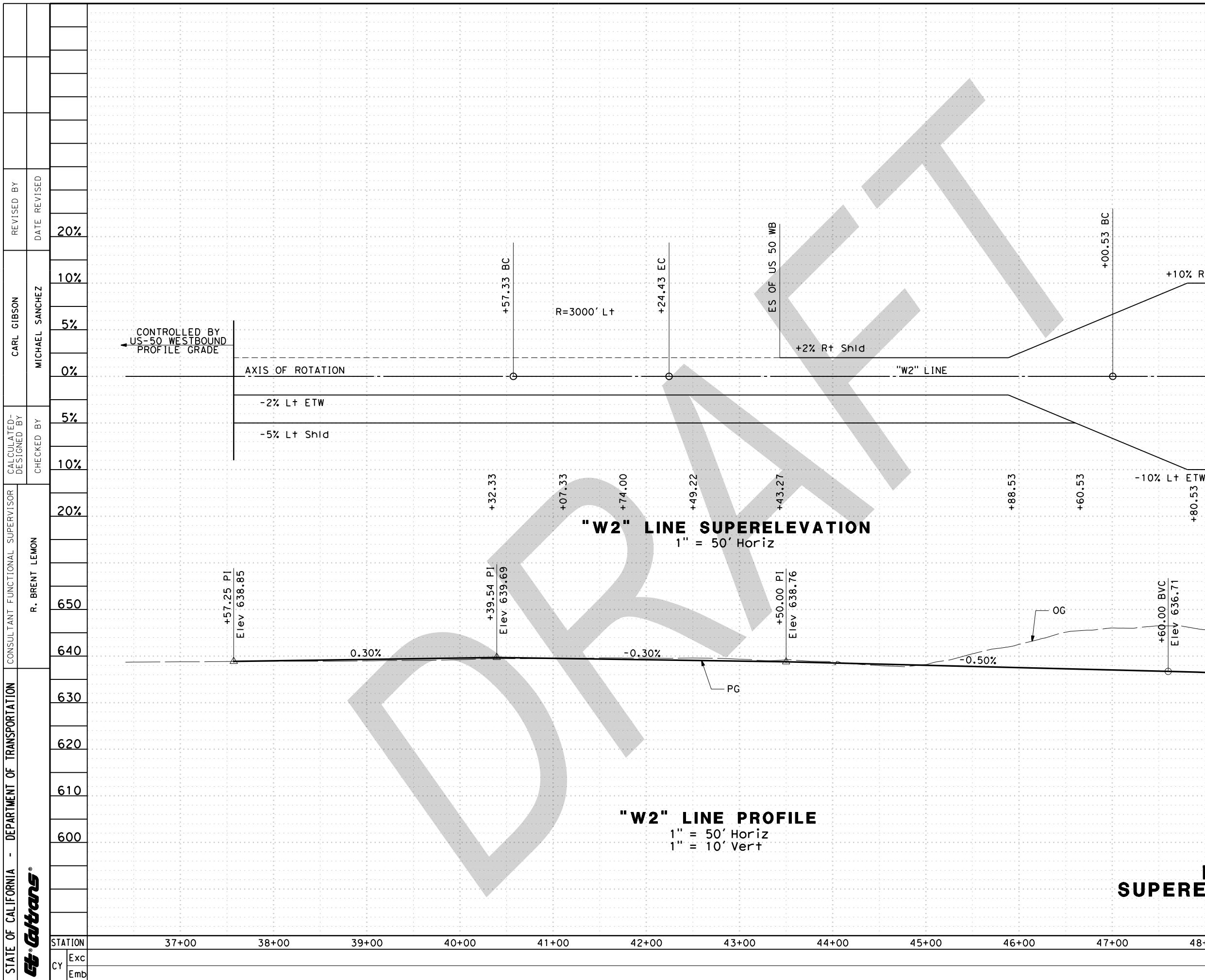
**PROFILE AND SUPERELEVATION DIAGRAM**  
**PS-1**

STATE OF CALIFORNIA - DEPARTMENT OF TRANSPORTATION <b>Caltrans</b>	CONSULTANT - FUNCTIONAL SUPERVISOR R. BRENT LEMON		CALCULATED-DESIGNED BY	CHECKED BY	REVISOR	DATE
	CARL GIBSON		MICHAEL SANCHEZ			
Exc	20%	10%	5%	0%	5%	10%
Emb	20%	10%	5%	0%	5%	10%



Dist	COUNTY	ROUTE	POST MILES TOTAL PROJECT	SHEET No.	TOTAL SHEETS
03	ED	50	0.60/1.35	19	245
Carl H. Gibson III REGISTERED CIVIL ENGINEER DATE: 6/6/12			6/6/12 PLANS APPROVAL DATE		
THE STATE OF CALIFORNIA OR ITS OFFICERS OR AGENTS SHALL NOT BE RESPONSIBLE FOR THE ACCURACY OR COMPLETENESS OF SCANNED COPIES OF THIS PLAN SHEET.					
QUINCY ENGINEERING INC 3247 RAMOS CIRCLE SACRAMENTO, CA 95827-2501			EL DORADO COUNTY 2850 FAIRLANE COURT PLACERVILLE, CA. 95667		

DATE PLOTTED => 6/5/2012  
TIME PLOTTED => 4:51:45 PM

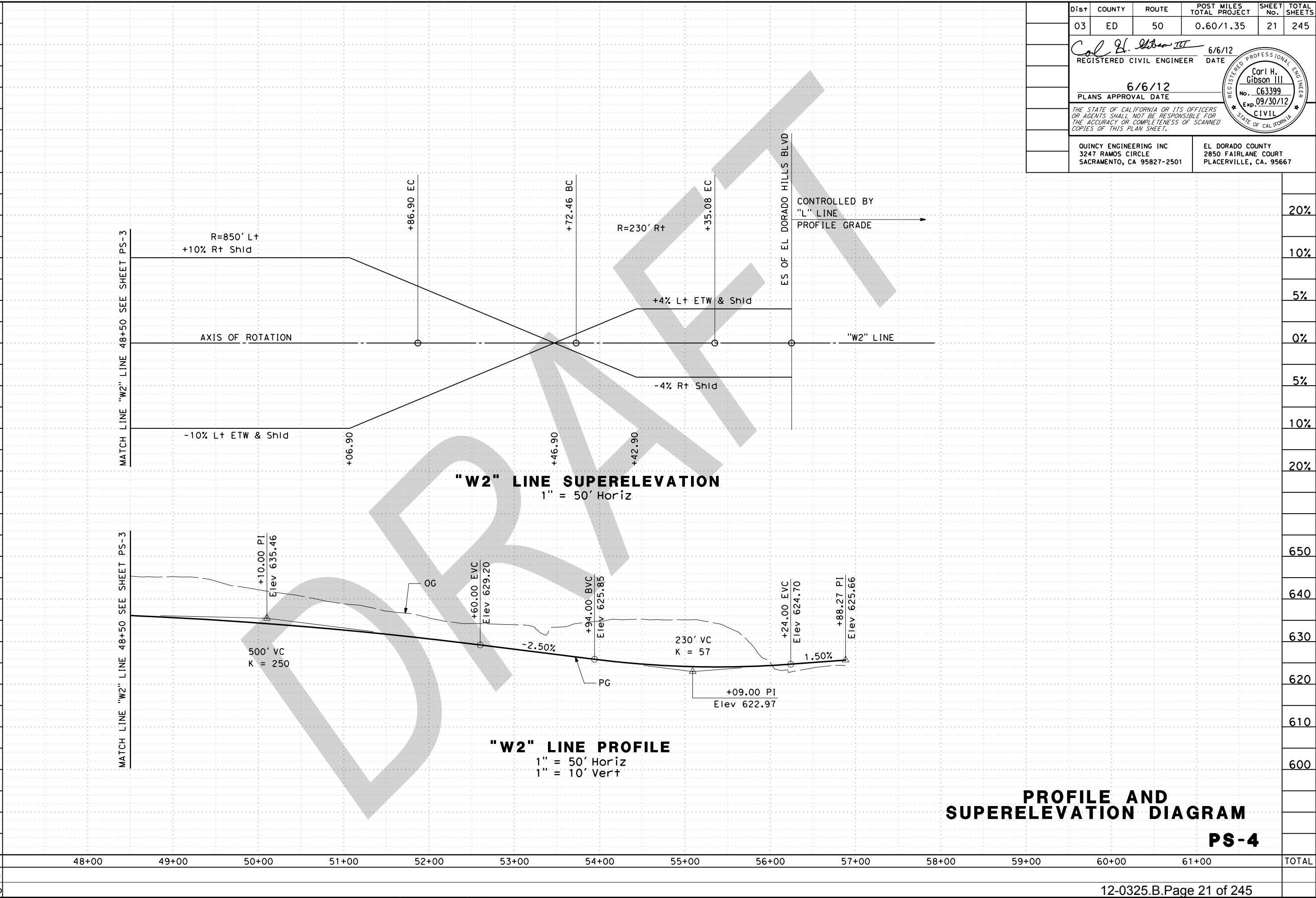


Dist	COUNTY	ROUTE	POST MILES TOTAL PROJECT	SHEET No.	TOTAL SHEETS
03	ED	50	0.60/1.35	20	245
Carl H. Gibson III REGISTERED CIVIL ENGINEER			6/6/12	DATE	
6/6/12 PLANS APPROVAL DATE					
<small>THE STATE OF CALIFORNIA OR ITS OFFICERS OR AGENTS SHALL NOT BE RESPONSIBLE FOR THE ACCURACY OR COMPLETENESS OF SCANNED COPIES OF THIS PLAN SHEET.</small>					
QUINCY ENGINEERING INC 3247 RAMOS CIRCLE SACRAMENTO, CA 95827-2501			EL DORADO COUNTY 2850 FAIRLANE COURT PLACERVILLE, CA. 95667		

STATE OF CALIFORNIA - DEPARTMENT OF TRANSPORTATION <b>Caltrans</b>	CONSULTANT	FUNCTIONAL SUPERVISOR	CHECKED BY	DESIGNED BY	REVISOR	DATE	PERCENT								
	R. BRENT LEMON				CARL GIBSON MICHAEL SANCHEZ		20% 10% 5% 0% 5% 10% 20%								
STATION	37+00	38+00	39+00	40+00	41+00	42+00	43+00	44+00	45+00	46+00	47+00	48+00	49+00	50+00	TOTAL
Exc															
Emb															

**PROFILE AND SUPERELEVATION DIAGRAM**  
**PS-3**

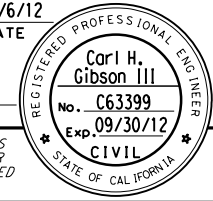
STATE OF CALIFORNIA - DEPARTMENT OF TRANSPORTATION <b>Caltrans</b>	CONSULTANT FUNCTIONAL SUPERVISOR	CHECKED BY	DESIGNED BY	REVISOR	DATE
	R. BRENT LEMON	MICHAEL SANCHEZ	CARL GIBSON	REVISOR	DATE
STATION	48+00	49+00	50+00	51+00	52+00
Exc					
Emb					



**PROFILE AND SUPERELEVATION DIAGRAM**  
**PS-4**

Dist	COUNTY	ROUTE	POST MILES TOTAL PROJECT	SHEET No.	TOTAL SHEETS
03	ED	50	0.60/1.35	21	245
Carl H. Gibson III REGISTERED CIVIL ENGINEER DATE 6/6/12			6/6/12 PLANS APPROVAL DATE		
THE STATE OF CALIFORNIA OR ITS OFFICERS OR AGENTS SHALL NOT BE RESPONSIBLE FOR THE ACCURACY OR COMPLETENESS OF SCANNED COPIES OF THIS PLAN SHEET.					
QUINCY ENGINEERING INC 3247 RAMOS CIRCLE SACRAMENTO, CA 95827-2501			EL DORADO COUNTY 2850 FAIRLANE COURT PLACERVILLE, CA. 95667		

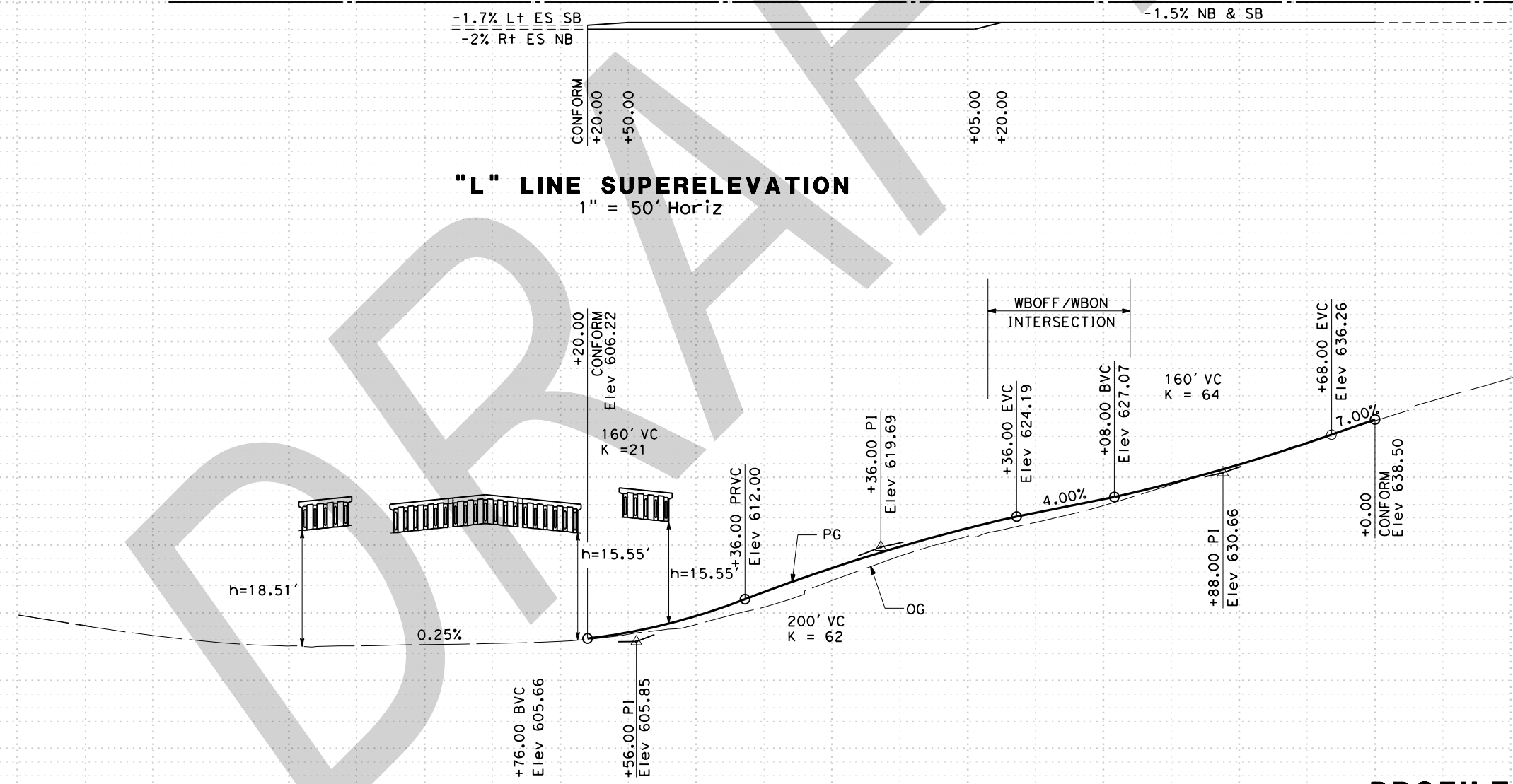
LAST REVISION DATE PLOTTED => 6/5/2012 00-00-00 TIME PLOTTED => 4:51:47 PM

Dist	COUNTY	ROUTE	POST MILES TOTAL PROJECT	SHEET No.	TOTAL SHEETS
03	ED	50	0.60/1.35	22	245
<i>Carl H. Gibson III</i> REGISTERED CIVIL ENGINEER			6/6/12 DATE		
6/6/12 PLANS APPROVAL DATE					
QUINCY ENGINEERING INC 3247 RAMOS CIRCLE SACRAMENTO, CA 95827-2501			EL DORADO COUNTY 2850 FAIRLANE COURT PLACERVILLE, CA. 95667		

STATE OF CALIFORNIA - DEPARTMENT OF TRANSPORTATION	CONSULTANT SUPERVISOR	REVISOR	PERCENT
	R. BRENT LEMON	CARL GIBSON	10%
CALCULATED/DESIGNED BY	CHECKED BY	DATE	PERCENT
	670	MICHAEL SANCHEZ	5%
FUNCTIONAL SUPERVISOR	CHECKED BY	DATE	PERCENT
	660		0%
DESIGNED BY	CHECKED BY	DATE	PERCENT
	650		5%
SUPERVISOR	CHECKED BY	DATE	PERCENT
	640		10%
DESIGNED BY	CHECKED BY	DATE	PERCENT
	630		10%
SUPERVISOR	CHECKED BY	DATE	PERCENT
	620		10%
DESIGNED BY	CHECKED BY	DATE	PERCENT
	610		10%
SUPERVISOR	CHECKED BY	DATE	PERCENT
	600		10%
STATION	Exc		
	Emb		

AXIS OF ROTATION  
 "L" LINE  
 -1.7% Lt ES SB  
 -2% Rt ES NB  
 -1.5% NB & SB

**"L" LINE SUPERELEVATION**  
 1" = 50' Horiz

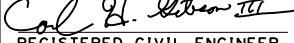


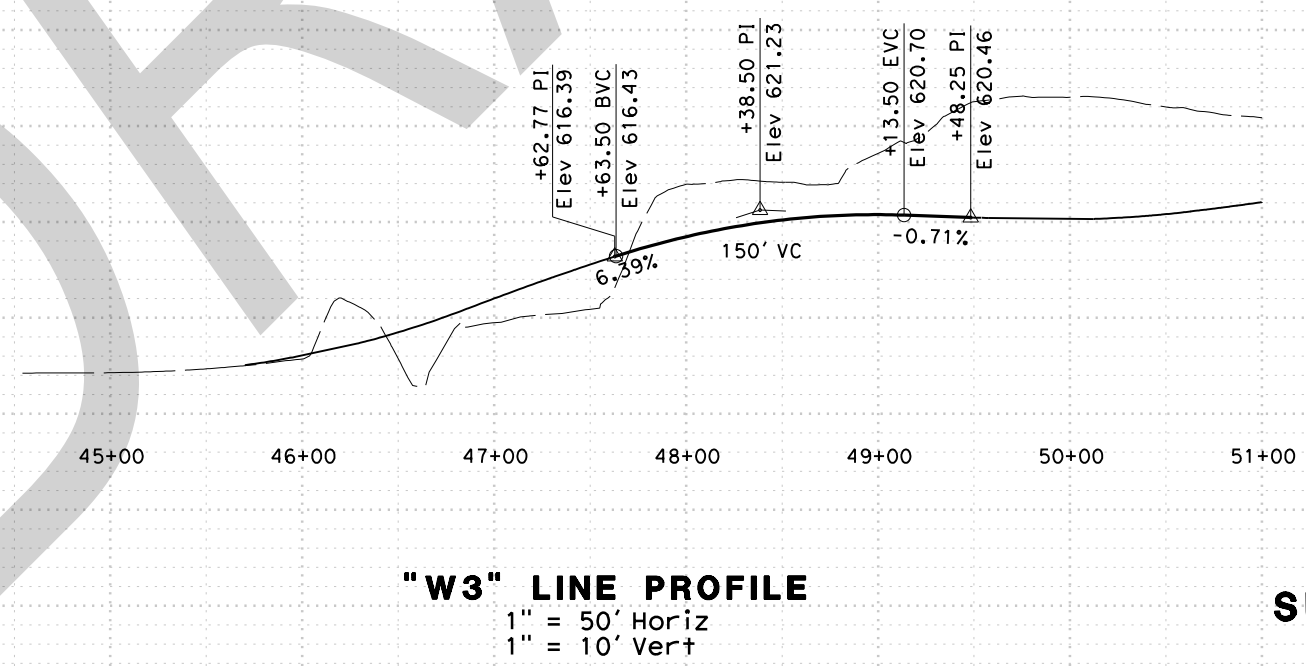
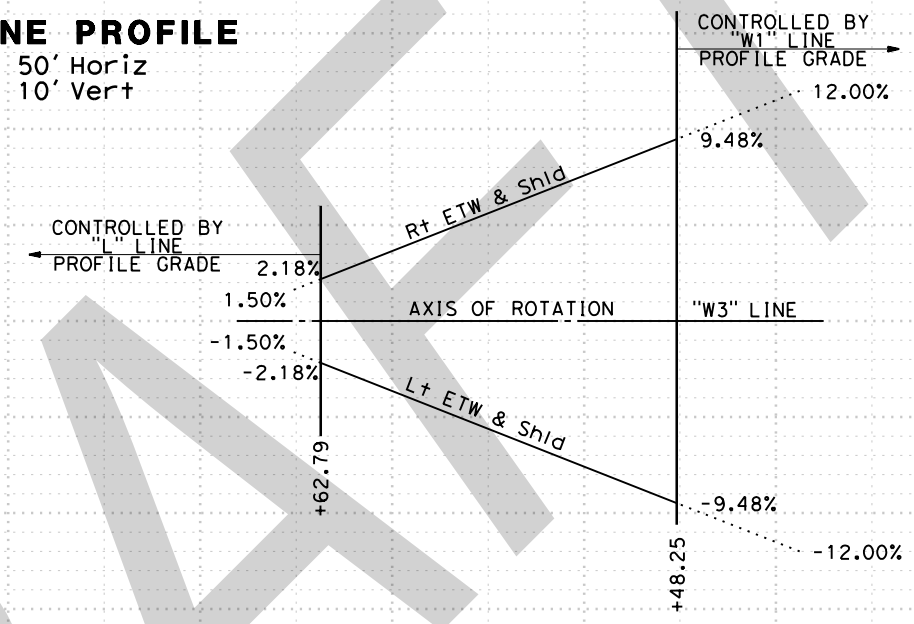
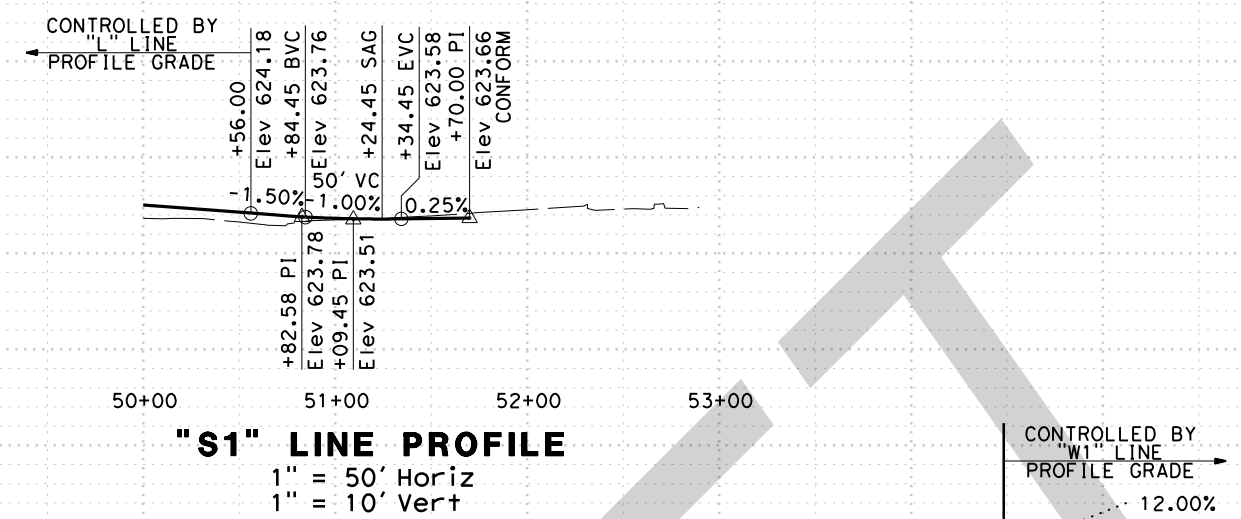
**"L" LINE PROFILE**  
 1" = 50' Horiz  
 1" = 10' Vert

**PROFILE AND SUPERELEVATION DIAGRAM**  
**PS-5**

STATION	507+00	508+00	509+00	510+00	511+00	512+00	513+00	514+00	515+00	516+00	517+00	518+00	519+00	520+00	TOTAL
Exc															
Emb															

STATE OF CALIFORNIA - DEPARTMENT OF TRANSPORTATION Caltrans	CONSULTANT - FUNCTIONAL SUPERVISOR		CALCULATED/DESIGNED BY		REVISOR	
	R. BRENT LEMON		MICHAEL SANCHEZ		CARL GIBSON	
			CHECKED BY		DATE REVISED	
					20%	
					10%	
					5%	
					0%	
					5%	
					10%	
					20%	
					640	
				630		
				620		
				610		
				600		
				590		
STATION						
CY		Exc				
		Emb				
TOTAL						

Dist	COUNTY	ROUTE	POST MILES TOTAL PROJECT	SHEET No.	TOTAL SHEETS
03	ED	50	0.60/1.35	23	245
640	 REGISTERED CIVIL ENGINEER		6/6/12	DATE	
630	PLANS APPROVAL DATE				
620	THE STATE OF CALIFORNIA OR ITS OFFICERS OR AGENTS SHALL NOT BE RESPONSIBLE FOR THE ACCURACY OR COMPLETENESS OF SCANNED COPIES OF THIS PLAN SHEET.				
610	QUINCY ENGINEERING INC 3247 RAMOS CIRCLE SACRAMENTO, CA 95827-2501		EL DORADO COUNTY 2850 FAIRLANE COURT PLACERVILLE, CA. 95667		



**PROFILE AND SUPERELEVATION DIAGRAM**  
**PS-6**

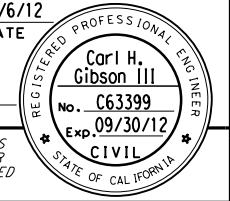
FOR COMPLETE RIGHT OF WAY AND ACCURATE ACCESS DATA, SEE RIGHT OF WAY RECORD MAPS AT DISTRICT OFFICE, AND COUNTY SURVEYORS OFFICE.

**NOTES:**

1. ALL CALLOUTS REFER TO CURB FLOWLINE UNLESS OTHERWISE NOTED.

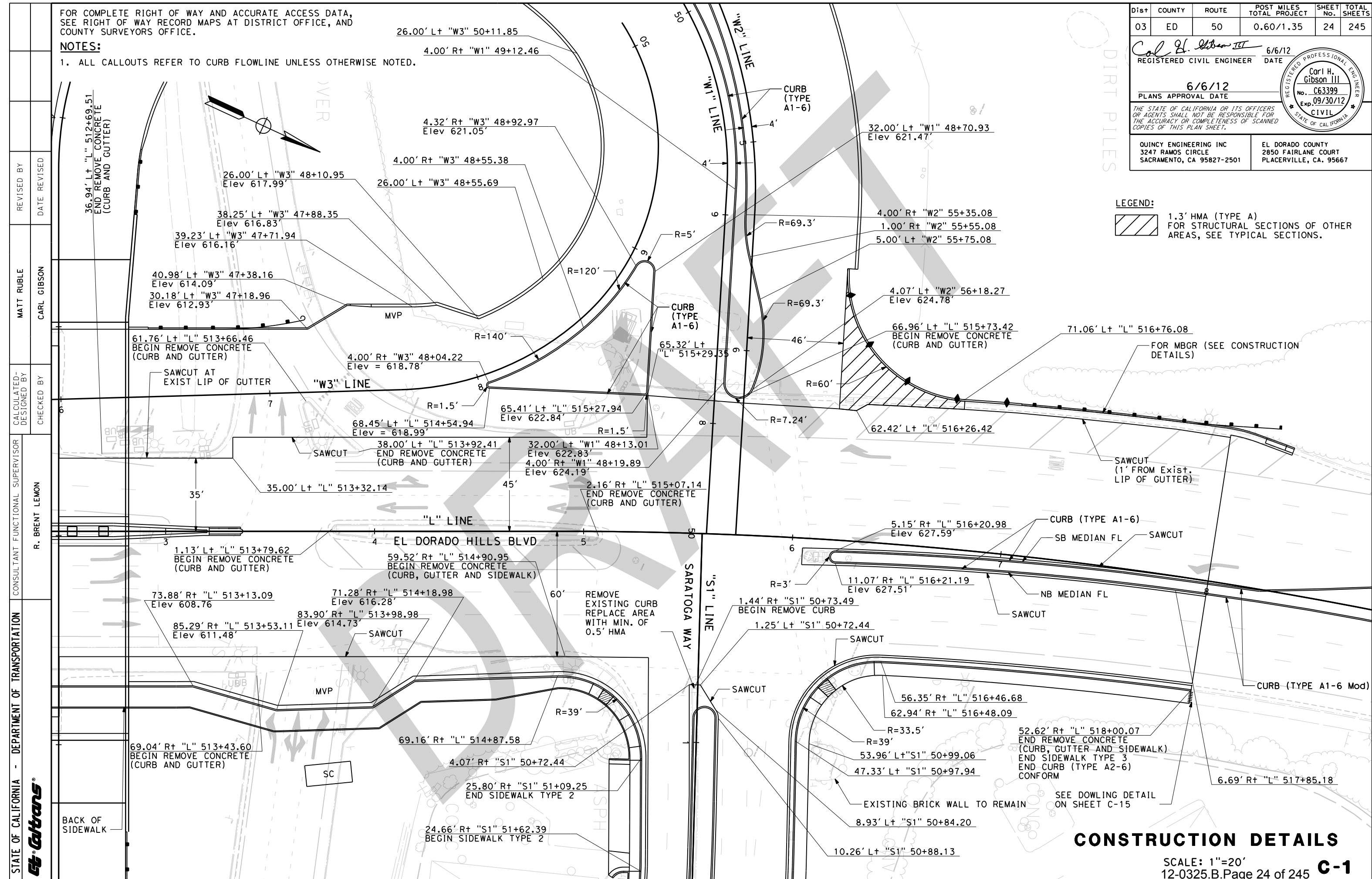
Dist	COUNTY	ROUTE	POST MILES TOTAL PROJECT	SHEET No.	TOTAL SHEETS
03	ED	50	0.60/1.35	24	245

*Carl H. Gibson III* 6/6/12  
 REGISTERED CIVIL ENGINEER DATE  
 6/6/12  
 PLANS APPROVAL DATE  
 THE STATE OF CALIFORNIA OR ITS OFFICERS OR AGENTS SHALL NOT BE RESPONSIBLE FOR THE ACCURACY OR COMPLETENESS OF SCANNED COPIES OF THIS PLAN SHEET.



QUINCY ENGINEERING INC  
 3247 RAMOS CIRCLE  
 SACRAMENTO, CA 95827-2501  
 EL DORADO COUNTY  
 2850 FAIRLANE COURT  
 PLACERVILLE, CA. 95667

**LEGEND:**  
 1.3' HMA (TYPE A)  
 FOR STRUCTURAL SECTIONS OF OTHER AREAS, SEE TYPICAL SECTIONS.



STATE OF CALIFORNIA - DEPARTMENT OF TRANSPORTATION	CONSULTANT	FUNCTIONAL SUPERVISOR	CALCULATED/DESIGNED BY	REVISOR	DATE
	R. BRENT LEMON	R. BRENT LEMON	CARL GIBSON	MATT RUBLE	

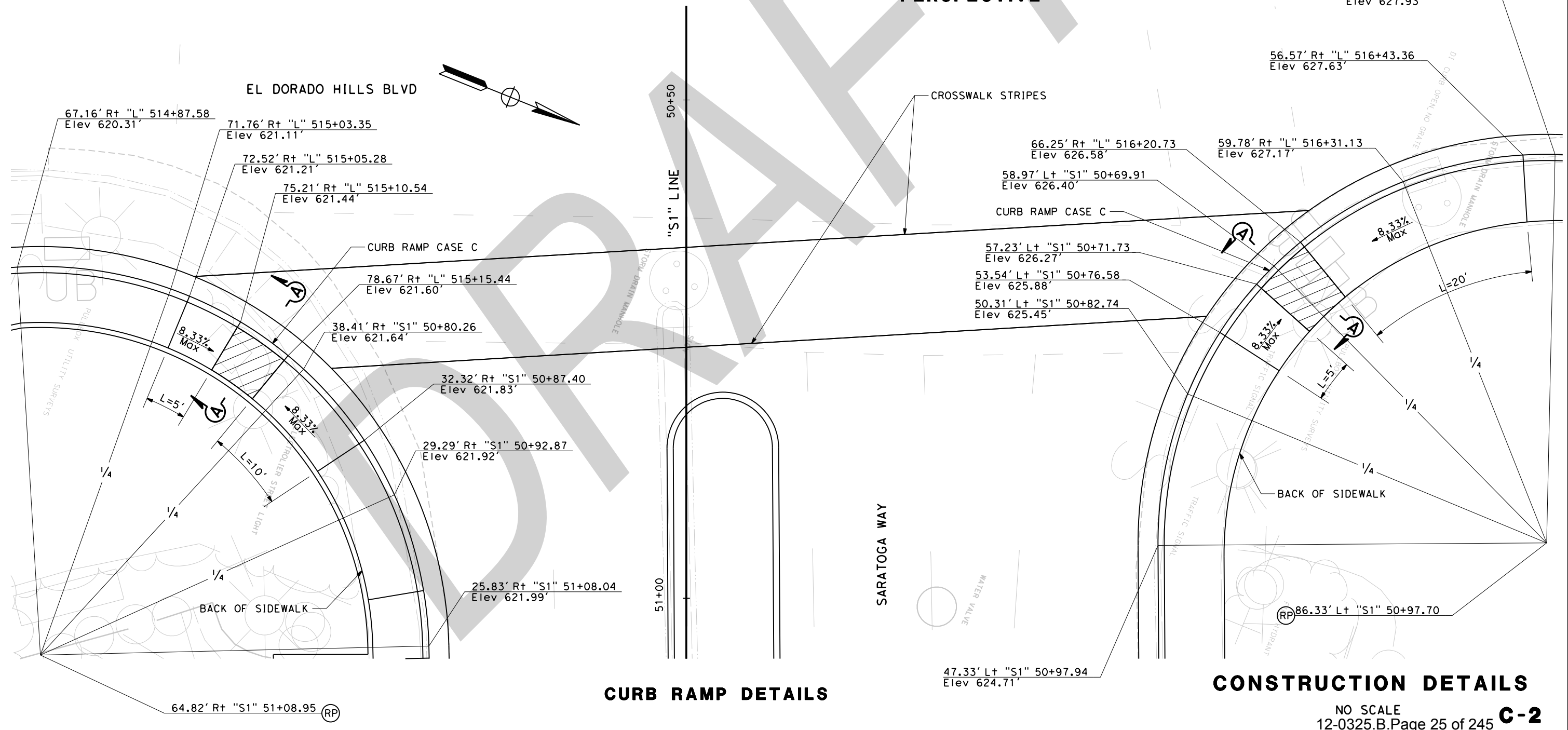
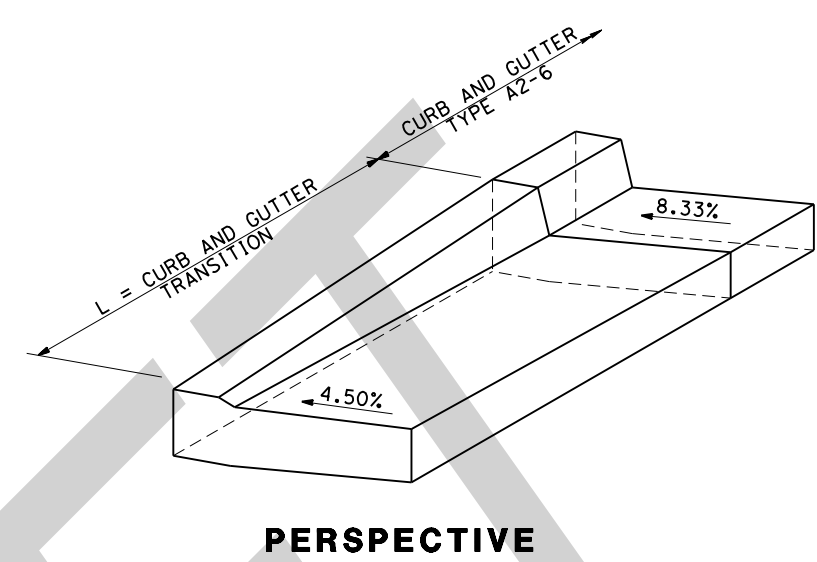
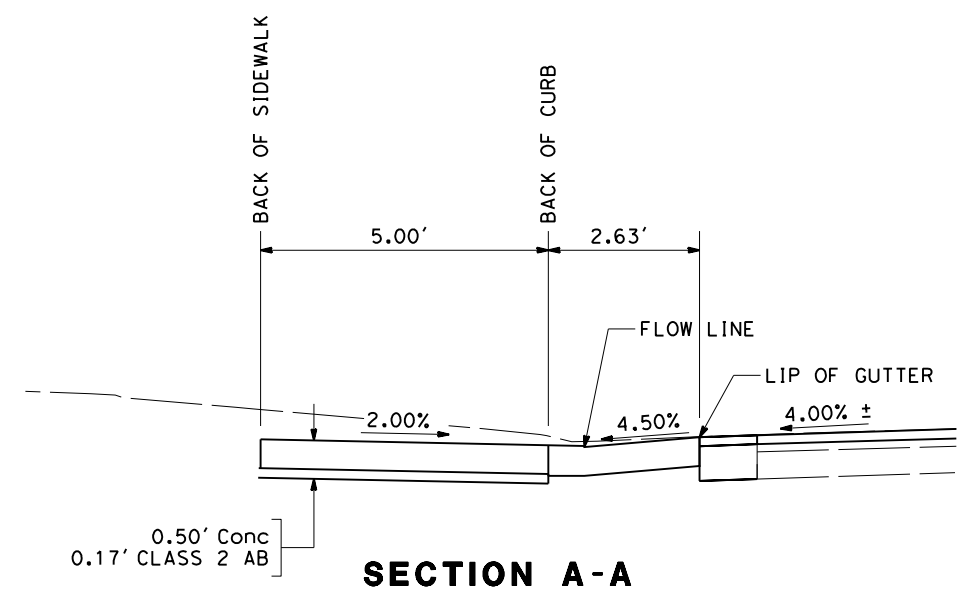
**CONSTRUCTION DETAILS**

SCALE: 1"=20'  
12-0325.B.Page 24 of 245 **C-1**



Dist	COUNTY	ROUTE	POST MILES TOTAL PROJECT	SHEET No.	TOTAL SHEETS
03	ED	50	0.60/1.35	25	245

REGISTERED CIVIL ENGINEER  
 DATE 6/6/12  
 PLANS APPROVAL DATE 6/6/12  
 THE STATE OF CALIFORNIA OR ITS OFFICERS OR AGENTS SHALL NOT BE RESPONSIBLE FOR THE ACCURACY OR COMPLETENESS OF SCANNED COPIES OF THIS PLAN SHEET.  
 QUINCY ENGINEERING INC  
 3247 RAMOS CIRCLE  
 SACRAMENTO, CA 95827-2501  
 EL DORADO COUNTY  
 2850 FAIRLANE COURT  
 PLACERVILLE, CA. 95667



**CURB RAMP DETAILS**

**CONSTRUCTION DETAILS**

NO SCALE  
 12-0325.B. Page 25 of 245 **C-2**

STATE OF CALIFORNIA - DEPARTMENT OF TRANSPORTATION	CONSULTANT FUNCTIONAL SUPERVISOR	CALCULATED/DESIGNED BY	REVISOR
<b>Caltrans</b>	R. BRENT LEMON	MATT RUBLE	MATT RUBLE
		CHECKED BY	DATE REVISOR
		CARL GIBSON	

LAST REVISION DATE PLOTTED => 6/5/2012  
 00-00-00 TIME PLOTTED => 4:51:50 PM

FOR COMPLETE RIGHT OF WAY AND ACCURATE ACCESS DATA,  
SEE RIGHT OF WAY RECORD MAPS AT DISTRICT OFFICE, AND  
COUNTY SURVEYORS OFFICE.

**NOTES:**

1. ALL CALLOUTS REFER TO CURB FLOWLINE UNLESS OTHERWISE NOTED.
2. CONTRACTOR TO PROVIDE 24 HOUR PUBLIC DRIVEWAY ACCESS (20' WIDE MIN).

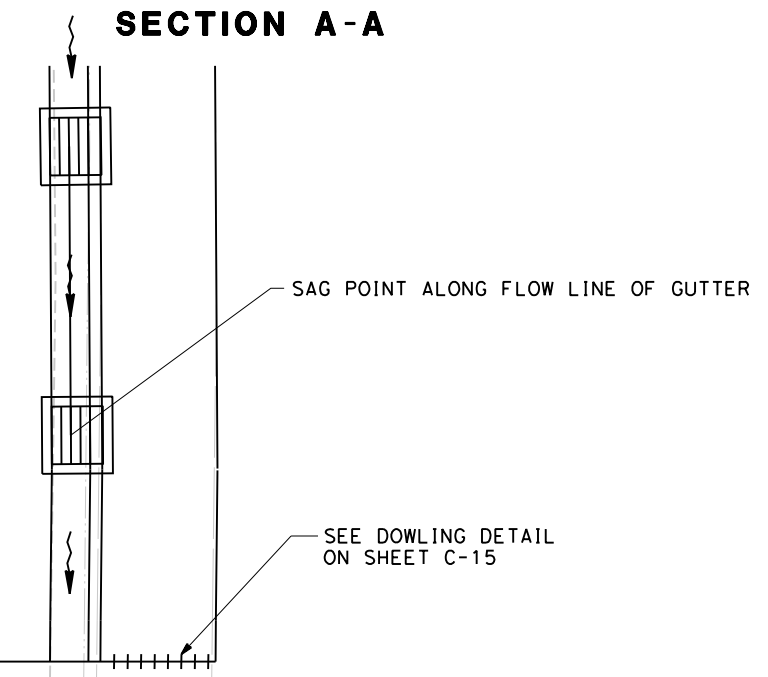
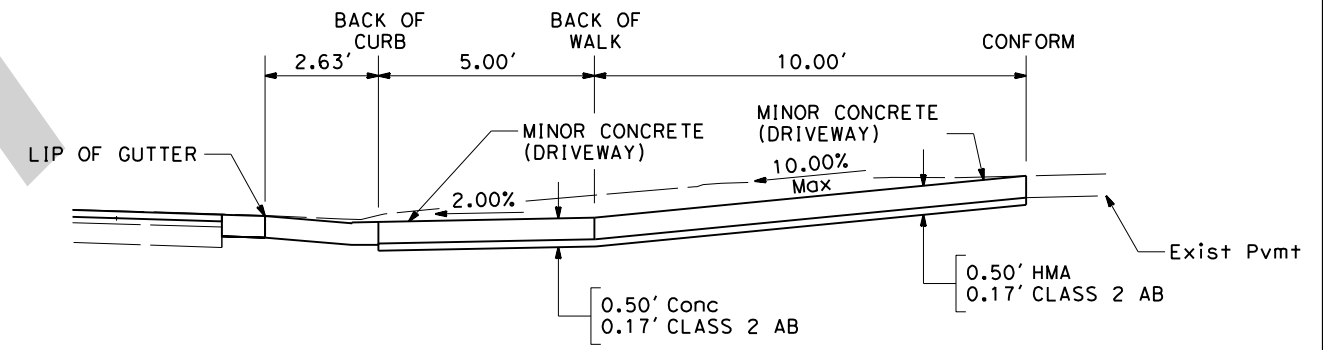
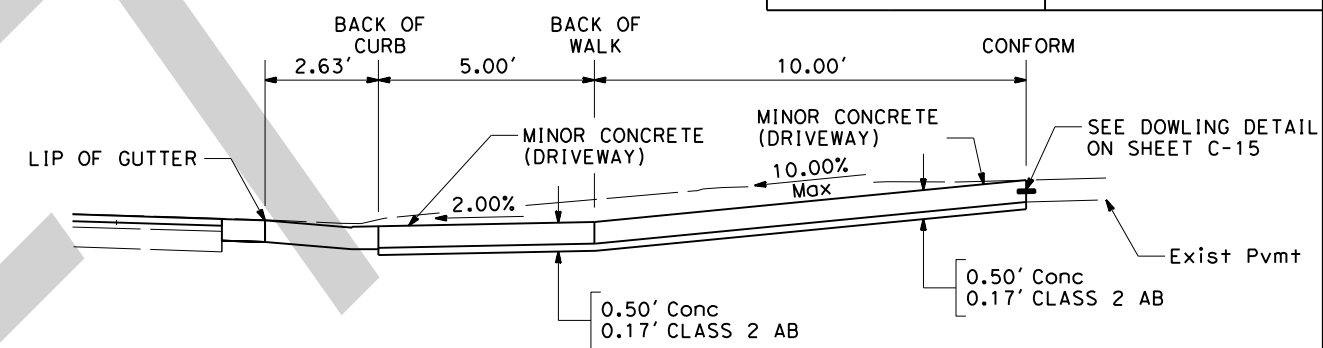
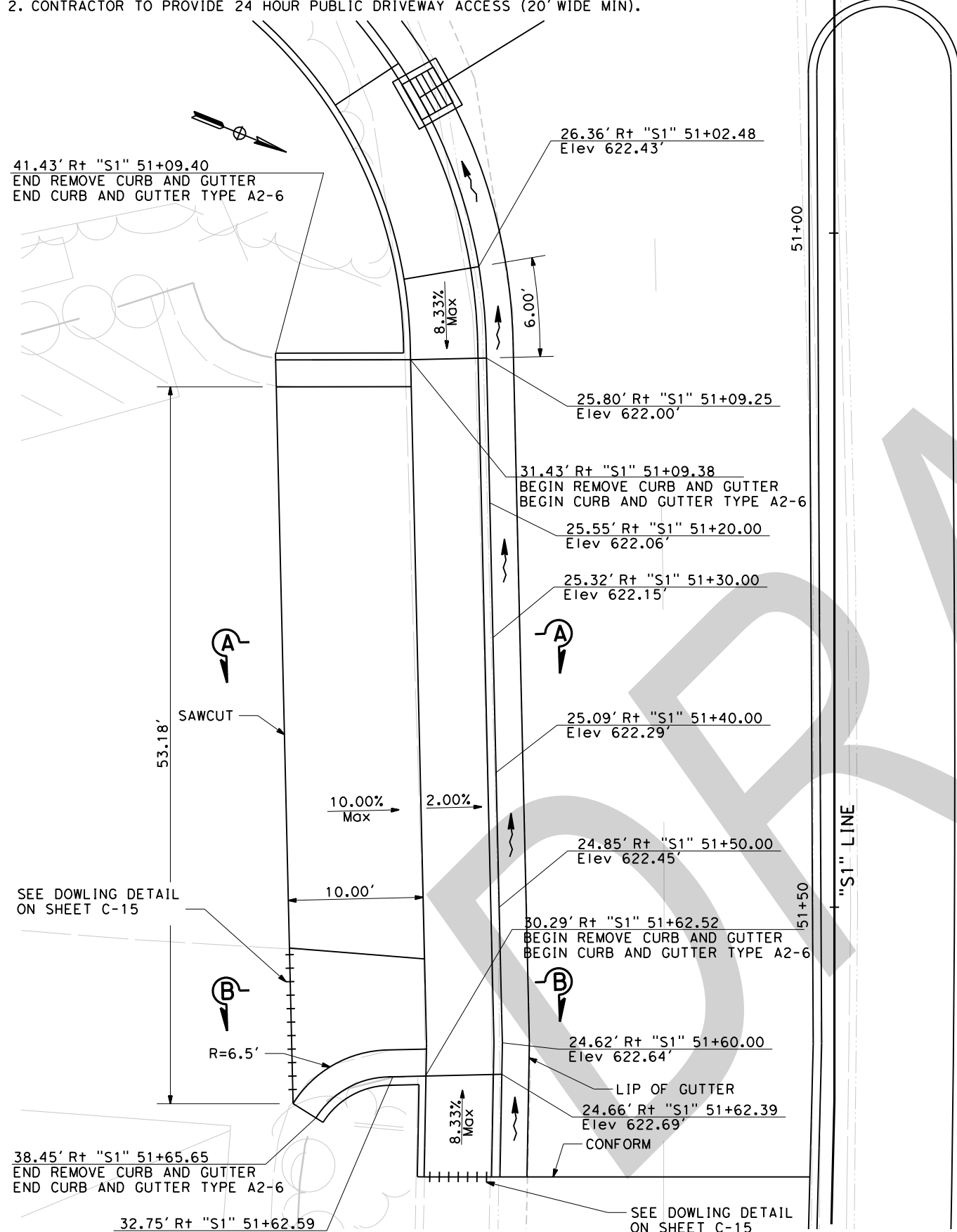
Dist	COUNTY	ROUTE	POST MILES TOTAL PROJECT	SHEET No.	TOTAL SHEETS
03	ED	50	0.60/1.35	26	245

*Carl H. Gibson III*  
 REGISTERED CIVIL ENGINEER DATE 6/6/12  
 PLANS APPROVAL DATE 6/6/12  
 No. C63399  
 Exp. 09/30/12  
 CIVIL  
 STATE OF CALIFORNIA

QUINCY ENGINEERING INC  
 3247 RAMOS CIRCLE  
 SACRAMENTO, CA 95827-2501

EL DORADO COUNTY  
 2850 FAIRLANE COURT  
 PLACERVILLE, CA. 95667

REVISOR	DATE	REVISION
MATT RUBLE		
CARL GIBSON		
CALCULATED/DESIGNED BY	CHECKED BY	
R. BRENT LEMON		
CONSULTANT FUNCTIONAL SUPERVISOR		
DEPARTMENT OF TRANSPORTATION		
STATE OF CALIFORNIA		



**PLAN**

**DRIVEWAY DETAILS**

**CONSTRUCTION DETAILS**

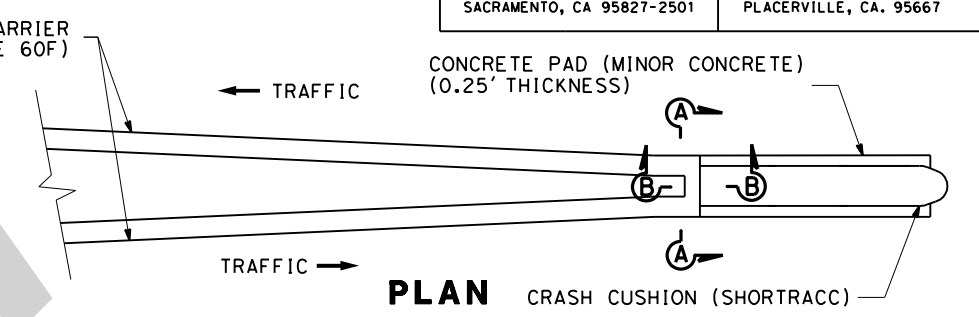
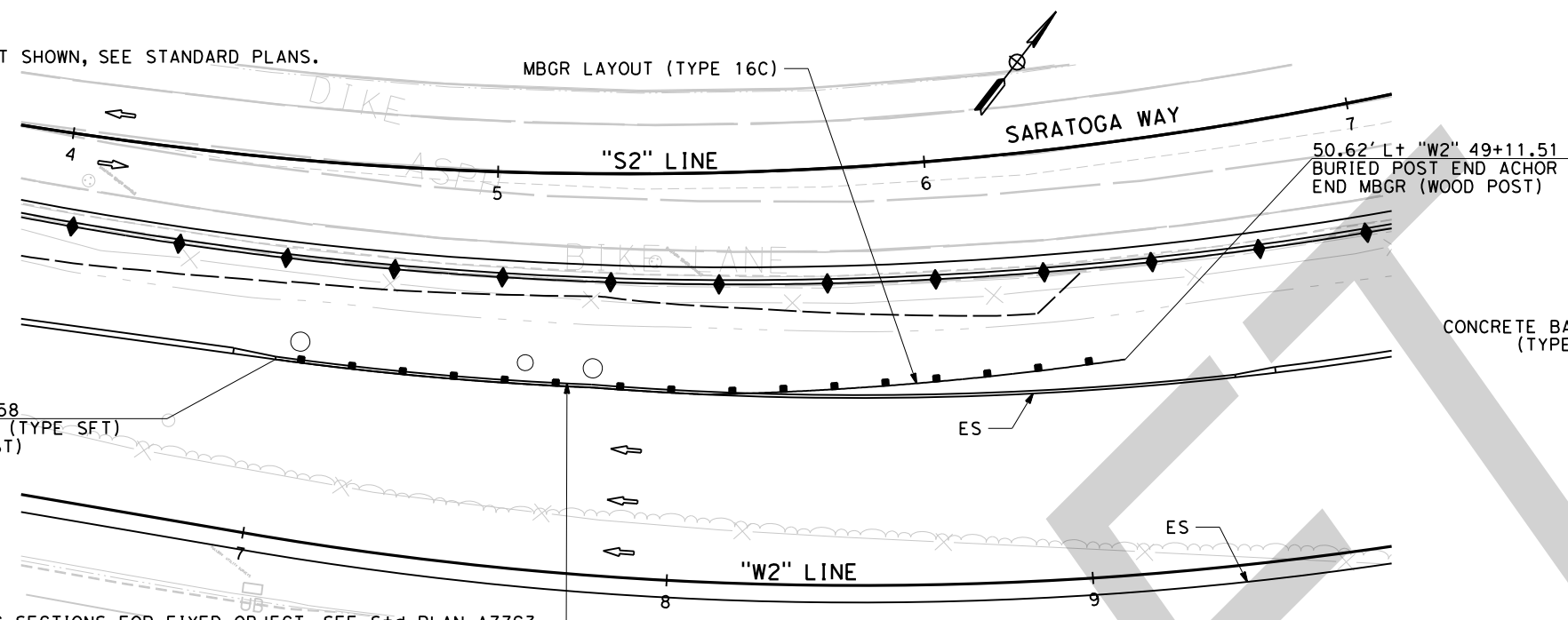
NO SCALE  
12-0325.B. Page 26 of 245 **C-3**

Dist	COUNTY	ROUTE	POST MILES TOTAL PROJECT	SHEET No.	TOTAL SHEETS
03	ED	50	0.60/1.35	27	245

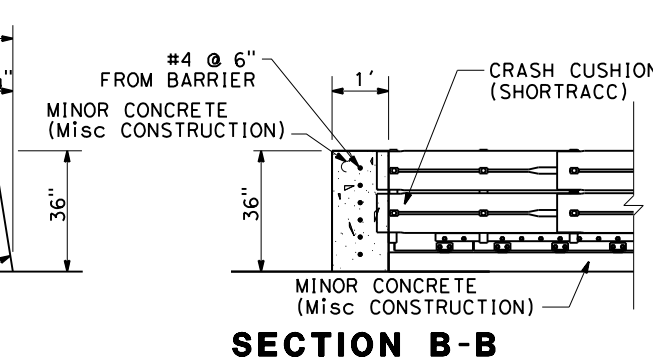
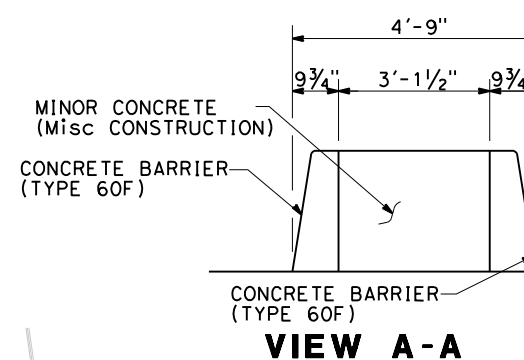
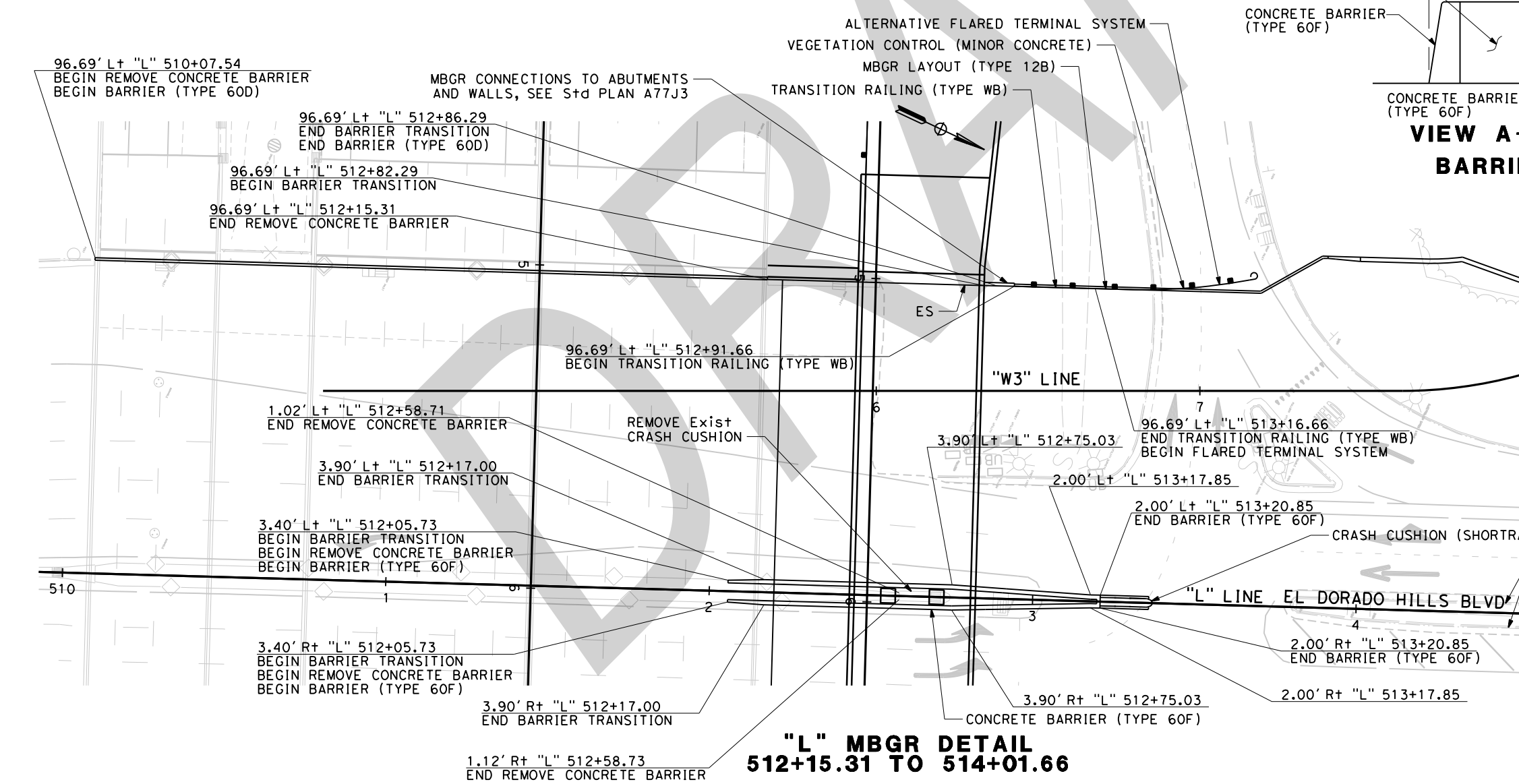
Col. H. Gibson III REGISTERED CIVIL ENGINEER DATE 6/6/12	
6/6/12 PLANS APPROVAL DATE	
<small>THE STATE OF CALIFORNIA OR ITS OFFICERS OR AGENTS SHALL NOT BE RESPONSIBLE FOR THE ACCURACY OR COMPLETENESS OF SCANNED COPIES OF THIS PLAN SHEET.</small>	
QUINCY ENGINEERING INC 3247 RAMOS CIRCLE SACRAMENTO, CA 95827-2501	EL DORADO COUNTY 2850 FAIRLANE COURT PLACERVILLE, CA. 95667

NOTES:  
 1. FOR DETAILS NOT SHOWN, SEE STANDARD PLANS.

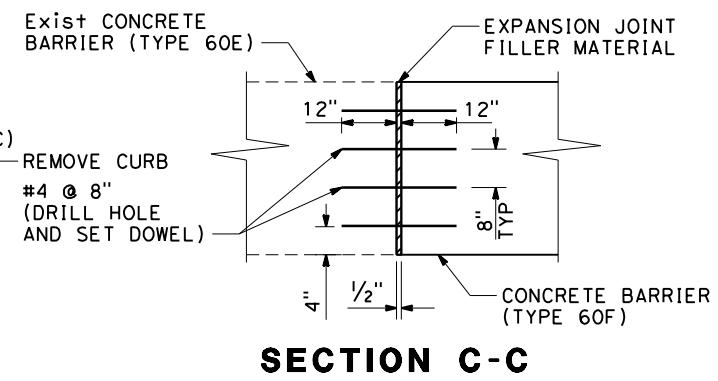
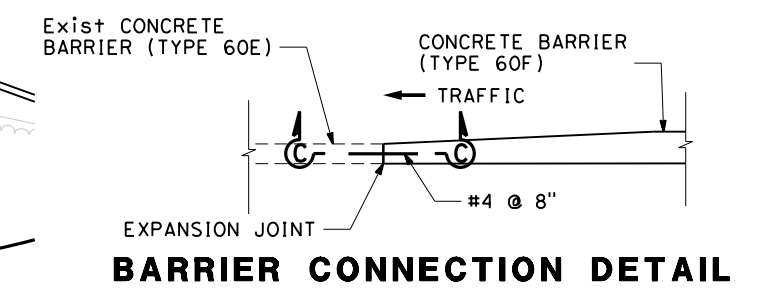


STRENGTHENED RAILING SECTIONS FOR FIXED OBJECT, SEE Std PLAN A77G3

**"W2" MBGR DETAIL**



**BARRIER END DETAIL AT LATROBE Rd**  
 SEE NOTE 1



**CONSTRUCTION DETAILS**

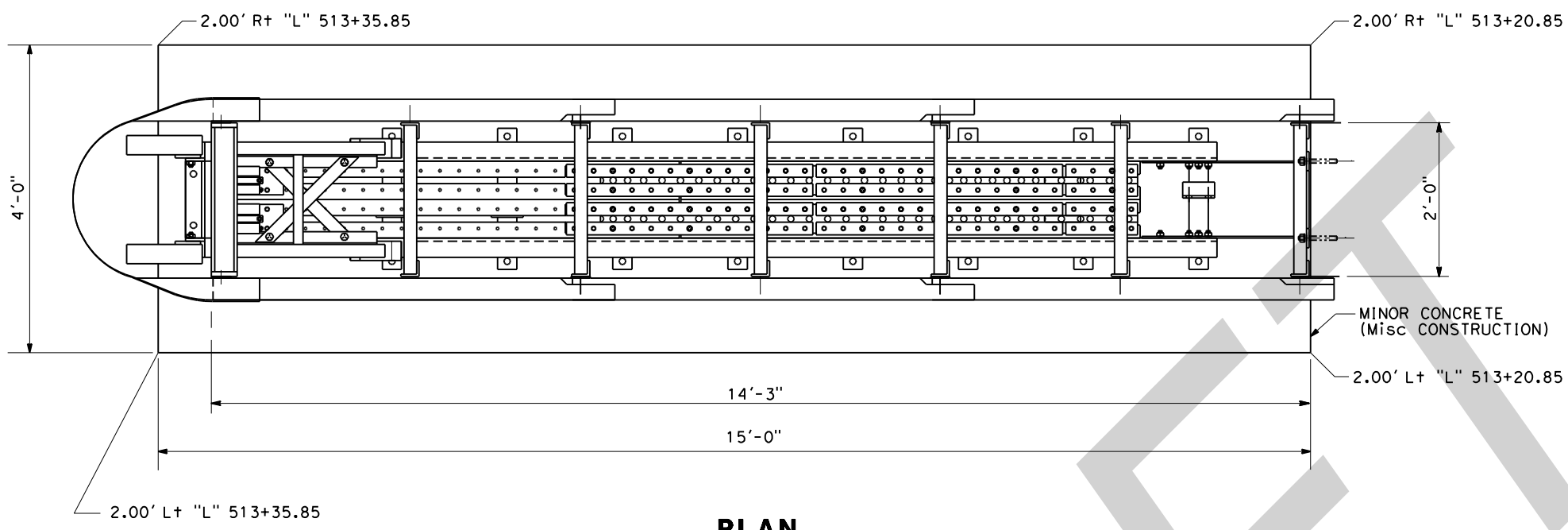
NO SCALE  
 12-0325.B. Page 27 of 245

STATE OF CALIFORNIA - DEPARTMENT OF TRANSPORTATION  
 CONSULTANT: FUNCTIONAL SUPERVISOR  
 R. BRENT LEMON  
 CALCULATED/DESIGNED BY  
 CHECKED BY  
 MATT RUBLE  
 CARL GIBSON  
 REVISED BY  
 DATE REVISED

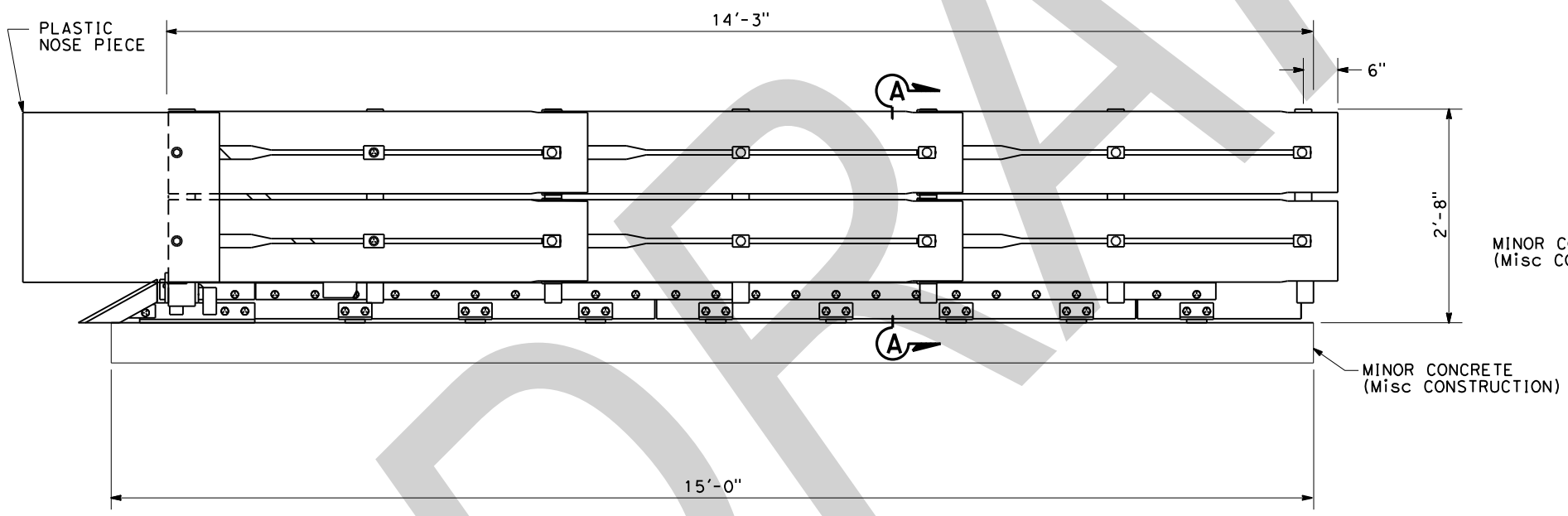


LAST REVISION DATE PLOTTED => 6/5/2012  
 00-00-00 TIME PLOTTED => 4:51:52 PM

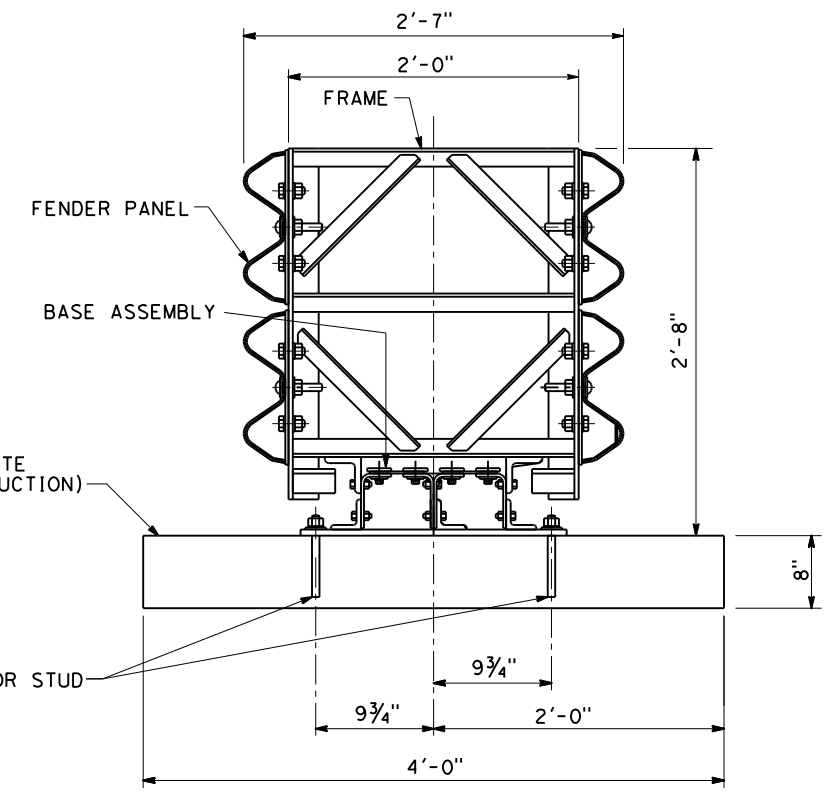
Dist	COUNTY	ROUTE	POST MILES TOTAL PROJECT	SHEET No.	TOTAL SHEETS
03	ED	50	0.60/1.35	28	245
<i>Carl H. Gibson III</i> REGISTERED CIVIL ENGINEER			6/6/12	DATE	
6/6/12 PLANS APPROVAL DATE					
<small>THE STATE OF CALIFORNIA OR ITS OFFICERS OR AGENTS SHALL NOT BE RESPONSIBLE FOR THE ACCURACY OR COMPLETENESS OF SCANNED COPIES OF THIS PLAN SHEET.</small>					
QUINCY ENGINEERING INC 3247 RAMOS CIRCLE SACRAMENTO, CA 95827-2501			EL DORADO COUNTY 2850 FAIRLANE COURT PLACERVILLE, CA. 95667		



**PLAN**



**ELEVATION**



**SECTION A-A**

NOTES:  
 1. FOR DETAILS NOT SHOWN SEE MANUFACTURER SPECIFICATIONS.

**CRASH CUSHION (SHORTRACC) DETAIL  
 CONSTRUCTION DETAILS**

NO SCALE  
 12-0325.B. Page 28 of 245 **C-5**

STATE OF CALIFORNIA - DEPARTMENT OF TRANSPORTATION	CONSULTANT	FUNCTIONAL SUPERVISOR	CALCULATED/DESIGNED BY	REVISOR	DATE
	R. BRENT LEMON	MATT RUBLE	CARL GIBSON		

LAST REVISION: DATE PLOTTED => 6/5/2012 00-00-00 TIME PLOTTED => 4:51:53 PM

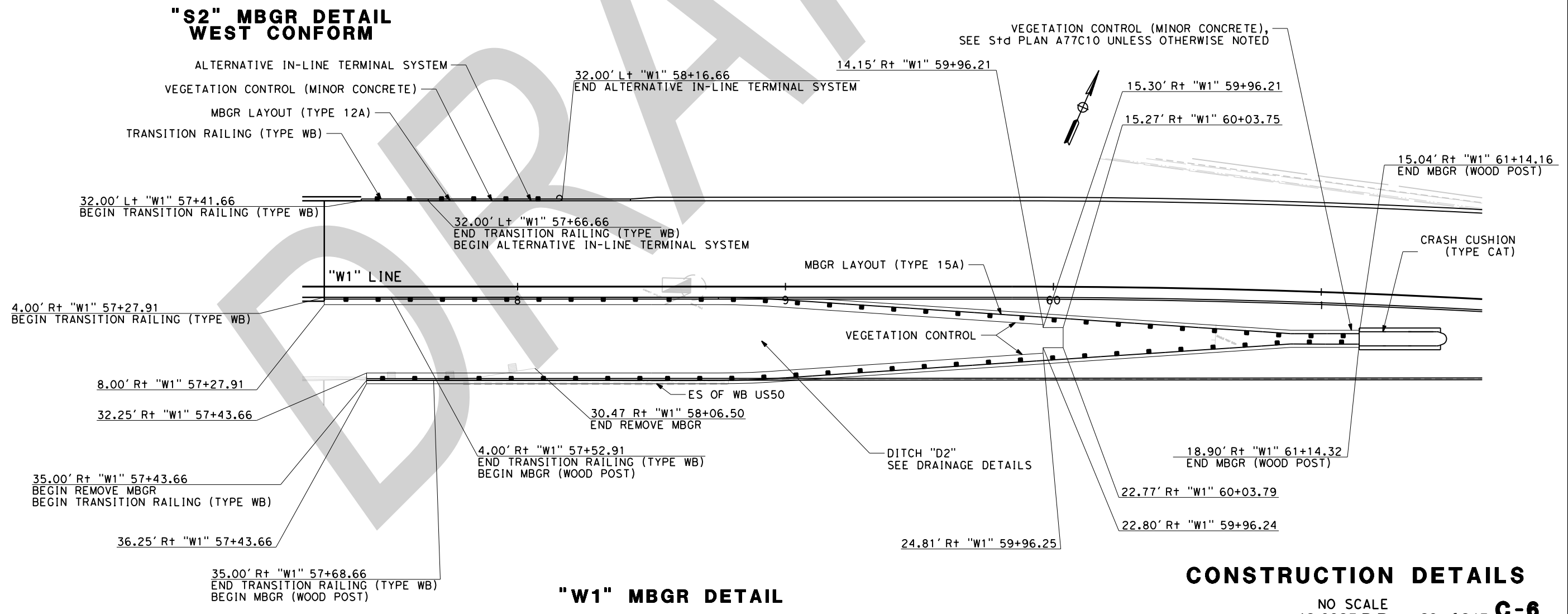
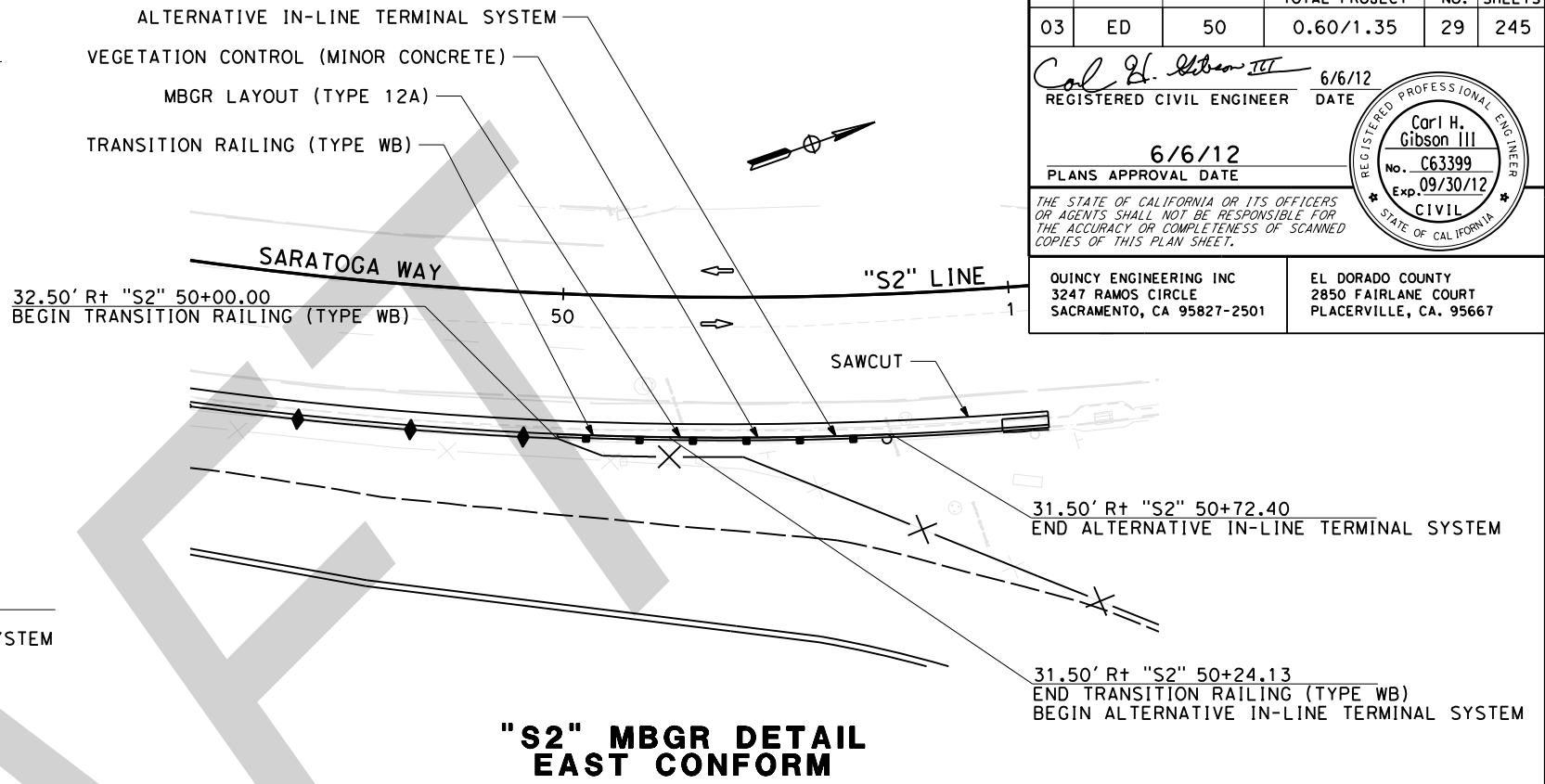
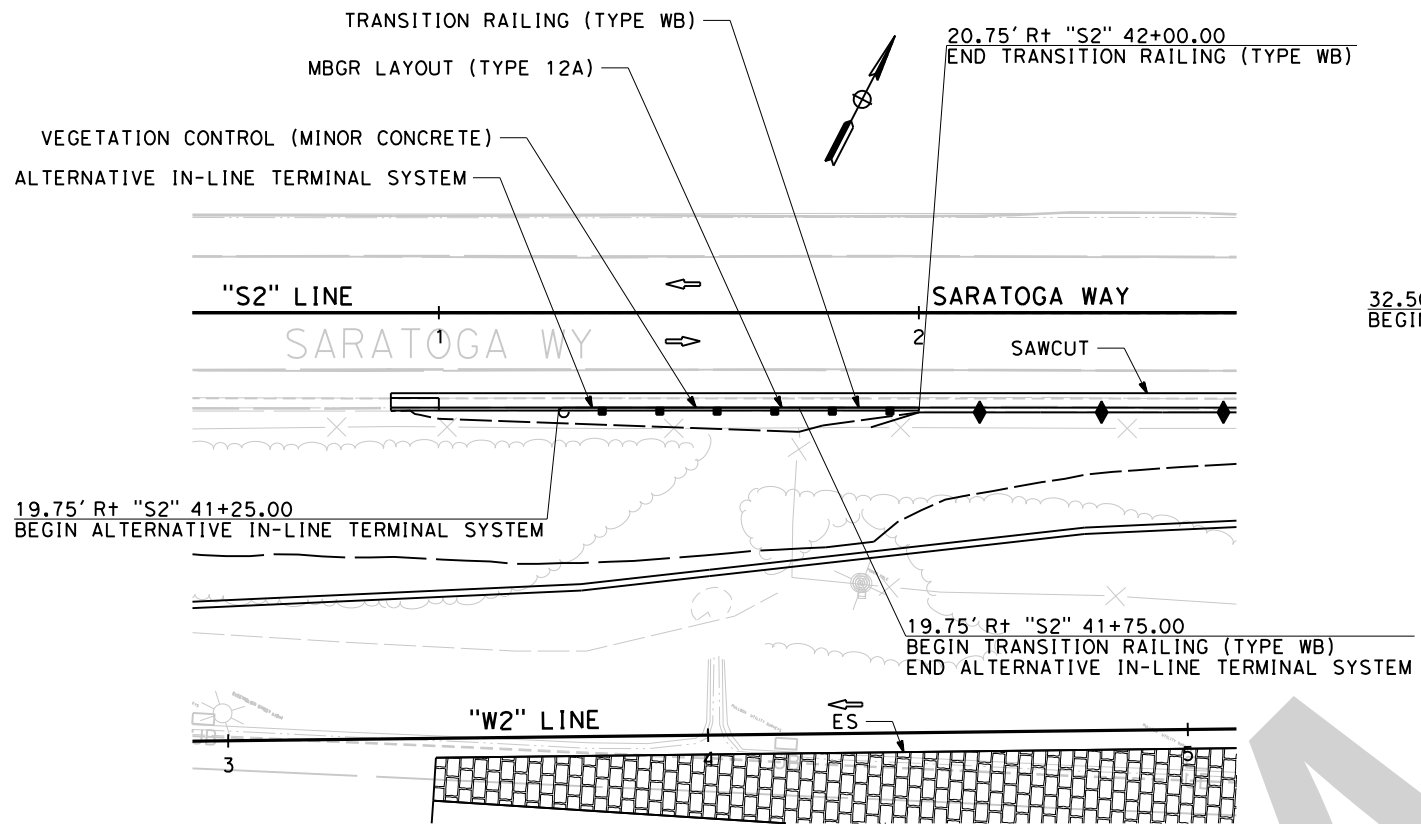
Dist	COUNTY	ROUTE	POST MILES TOTAL PROJECT	SHEET No.	TOTAL SHEETS
03	ED	50	0.60/1.35	29	245

Col. H. Gibson III REGISTERED CIVIL ENGINEER No. C63399 Exp. 09/30/12 CIVIL STATE OF CALIFORNIA	6/6/12 DATE PLANS APPROVAL DATE
--	---------------------------------------

QUINCY ENGINEERING INC 3247 RAMOS CIRCLE SACRAMENTO, CA 95827-2501	EL DORADO COUNTY 2850 FAIRLANE COURT PLACERVILLE, CA. 95667
--	---



**CONSTRUCTION DETAILS**

NO SCALE  
 12-0325.B. Page 29 of 245 **C-6**

STATE OF CALIFORNIA - DEPARTMENT OF TRANSPORTATION	DESIGNED BY	REVISOR
Caltrans	MATT RUBLE	MATT RUBLE
	CHECKED BY	DATE REVISION
	CARL GIBSON	
	CALCULATED/DESIGNED BY	DATE REVISION
	R. BRENT LEMON	
	CONSULTANT FUNCTIONAL SUPERVISOR	



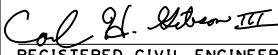
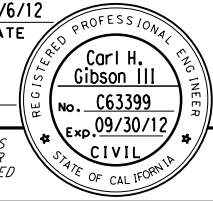
UNIT 03221

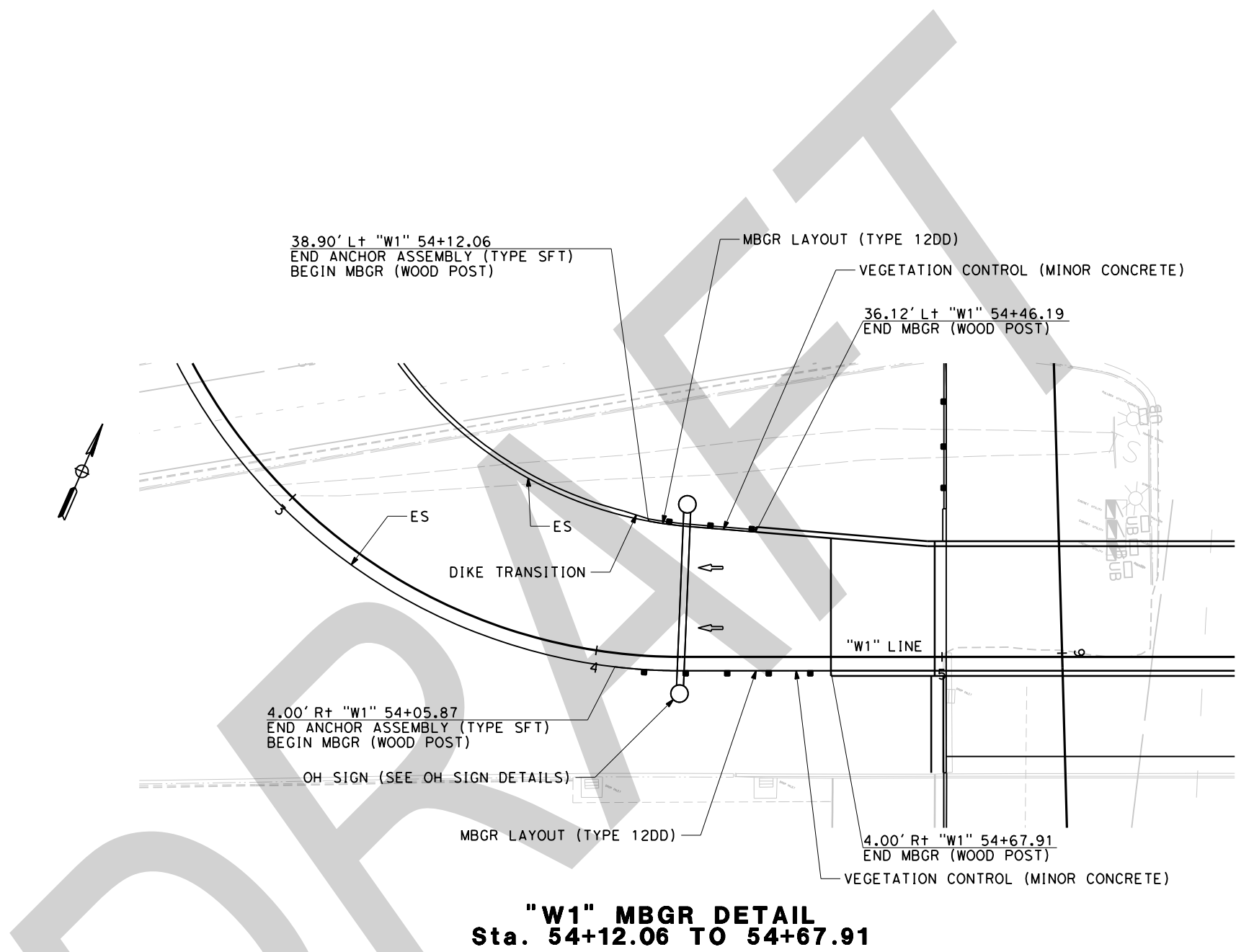
PROJECT NUMBER & PHASE

0312000163

DATE PLOTTED => 6/5/2012  
 TIME PLOTTED => 4:51:54 PM

STATE OF CALIFORNIA - DEPARTMENT OF TRANSPORTATION	CONSULTANT FUNCTIONAL SUPERVISOR	CALCULATED/DESIGNED BY	REVISOR	DATE
			MATT RUBLE	
Caltrans	R. BRENT LEMON	CHECKED BY	REVISOR	DATE
			CARL GIBSON	

Dist	COUNTY	ROUTE	POST MILES TOTAL PROJECT	SHEET No.	TOTAL SHEETS
03	ED	50	0.60/1.35	30	245
 REGISTERED CIVIL ENGINEER			6/6/12	DATE	
			6/6/12	PLANS APPROVAL DATE	
					
QUINCY ENGINEERING INC 3247 RAMOS CIRCLE SACRAMENTO, CA 95827-2501			EL DORADO COUNTY 2850 FAIRLANE COURT PLACERVILLE, CA. 95667		



**CONSTRUCTION DETAILS**

NO SCALE  
12-0325.B. Page 30 of 245 **C-7**

LAST REVISION      DATE PLOTTED => 6/5/2012      00-00-00      TIME PLOTTED => 4:31:55 PM

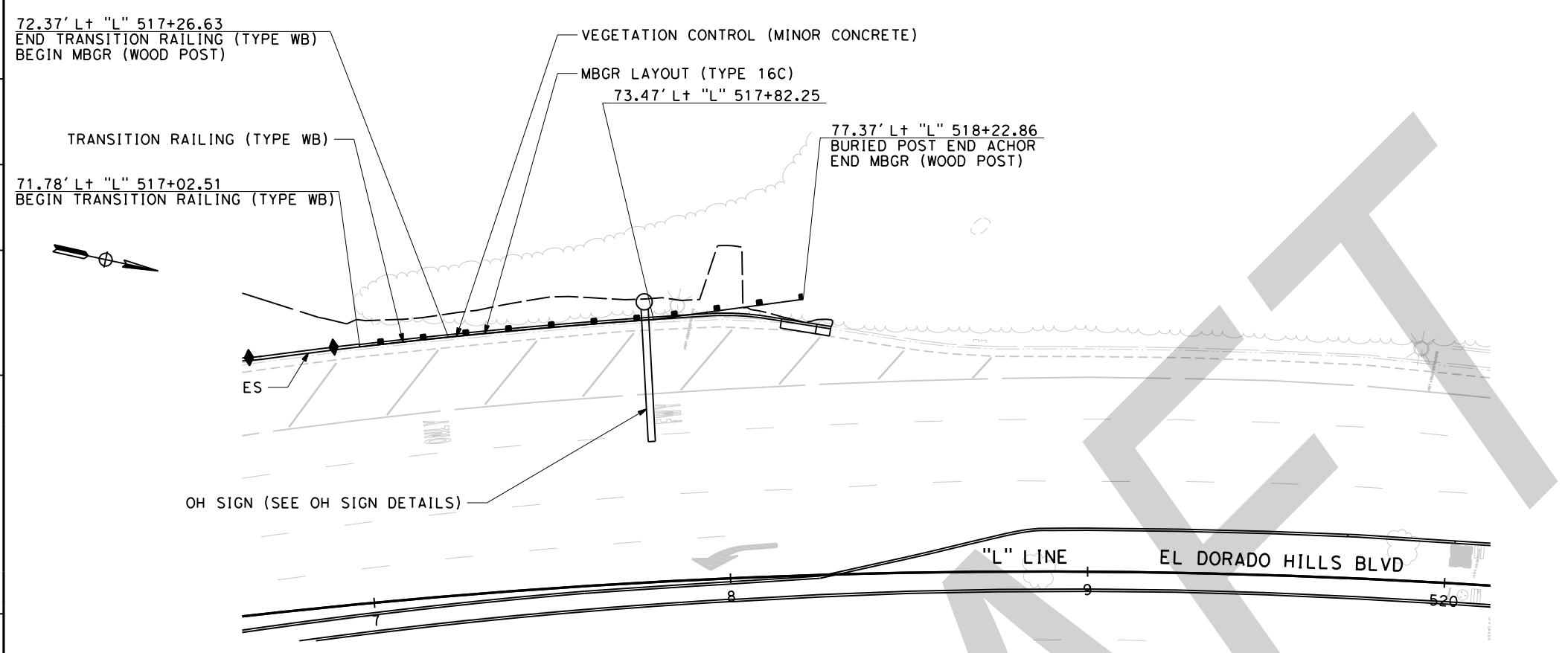
DIST	COUNTY	ROUTE	POST MILES TOTAL PROJECT	SHEET No.	TOTAL SHEETS
03	ED	50	0.60/1.35	31	245

REGISTERED CIVIL ENGINEER  
 DATE 6/6/12  
 PLANS APPROVAL DATE 6/6/12  
 THE STATE OF CALIFORNIA OR ITS OFFICERS OR AGENTS SHALL NOT BE RESPONSIBLE FOR THE ACCURACY OR COMPLETENESS OF SCANNED COPIES OF THIS PLAN SHEET.

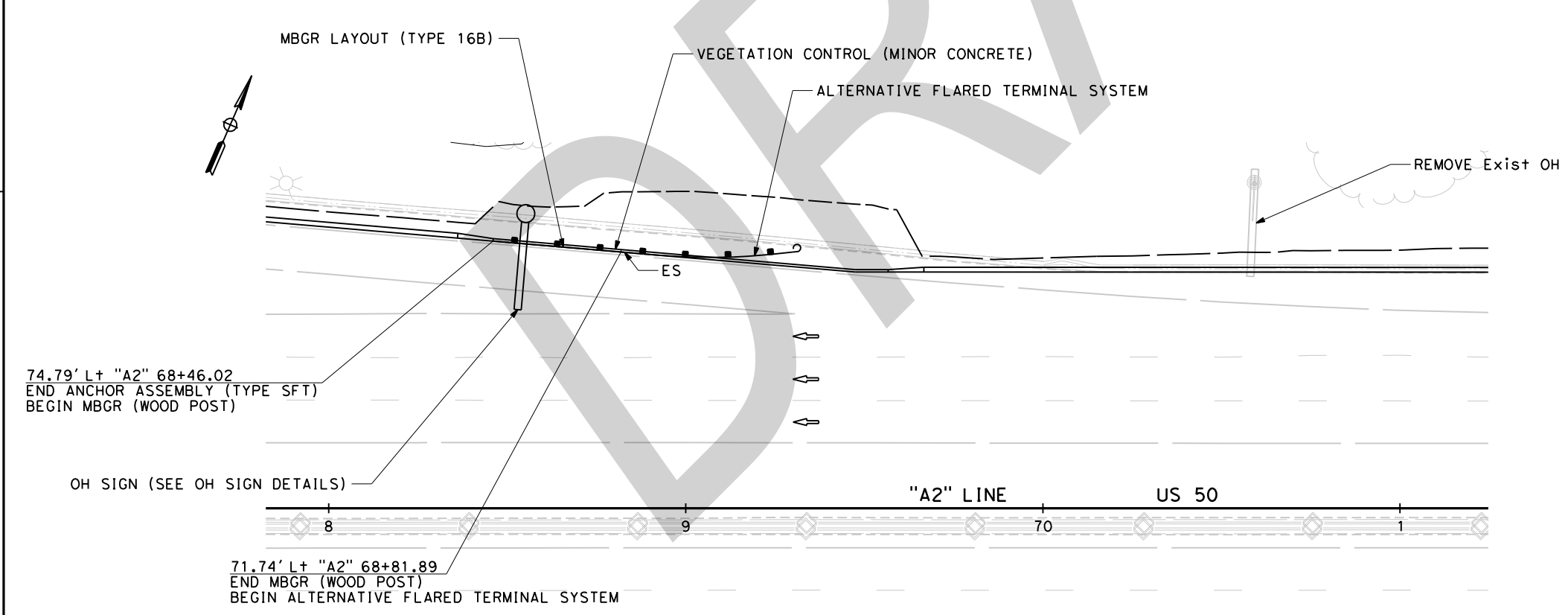
QUINCY ENGINEERING INC  
 3247 RAMOS CIRCLE  
 SACRAMENTO, CA 95827-2501

EL DORADO COUNTY  
 2850 FAIRLANE COURT  
 PLACERVILLE, CA. 95667

STATE OF CALIFORNIA	DEPARTMENT OF TRANSPORTATION	CONSULTANT	FUNCTIONAL SUPERVISOR	CALCULATED/DESIGNED BY	REVISOR	DATE
Caltrans		R. BRENT LEMON		MATT RUBLE CARL GIBSON		



**"L" MBGR DETAIL  
517+02.51 TO 519+62.31**



**"A2" MBGR DETAIL**

**CONSTRUCTION DETAILS**

NO SCALE  
12-0325.B. Page 31 of 245 **C-8**

LAST REVISION: 00-00-00  
 DATE PLOTTED => 6/5/2012  
 TIME PLOTTED => 4:31:56 PM

STATE OF CALIFORNIA - DEPARTMENT OF TRANSPORTATION  
**Caltrans**  
 CONSULTANT: FUNCTIONAL SUPERVISOR: R. BRENT LEMON  
 CALCULATED/DESIGNED BY: CHECKED BY:  
 MATT RUBLE CARL GIBSON  
 REVISED BY: DATE REVISED:

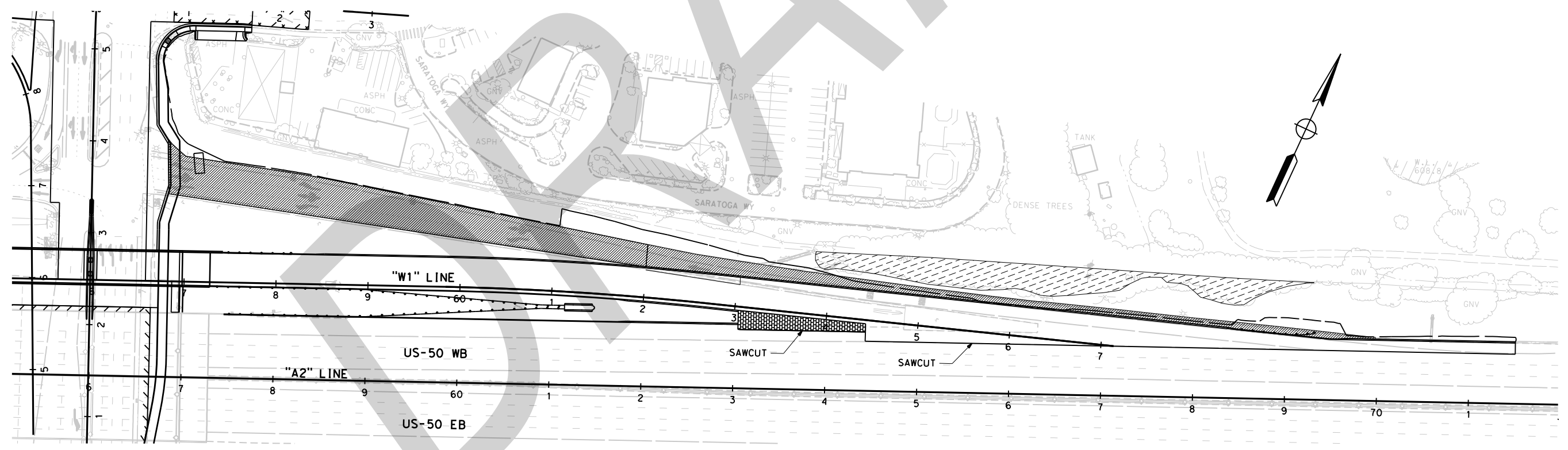
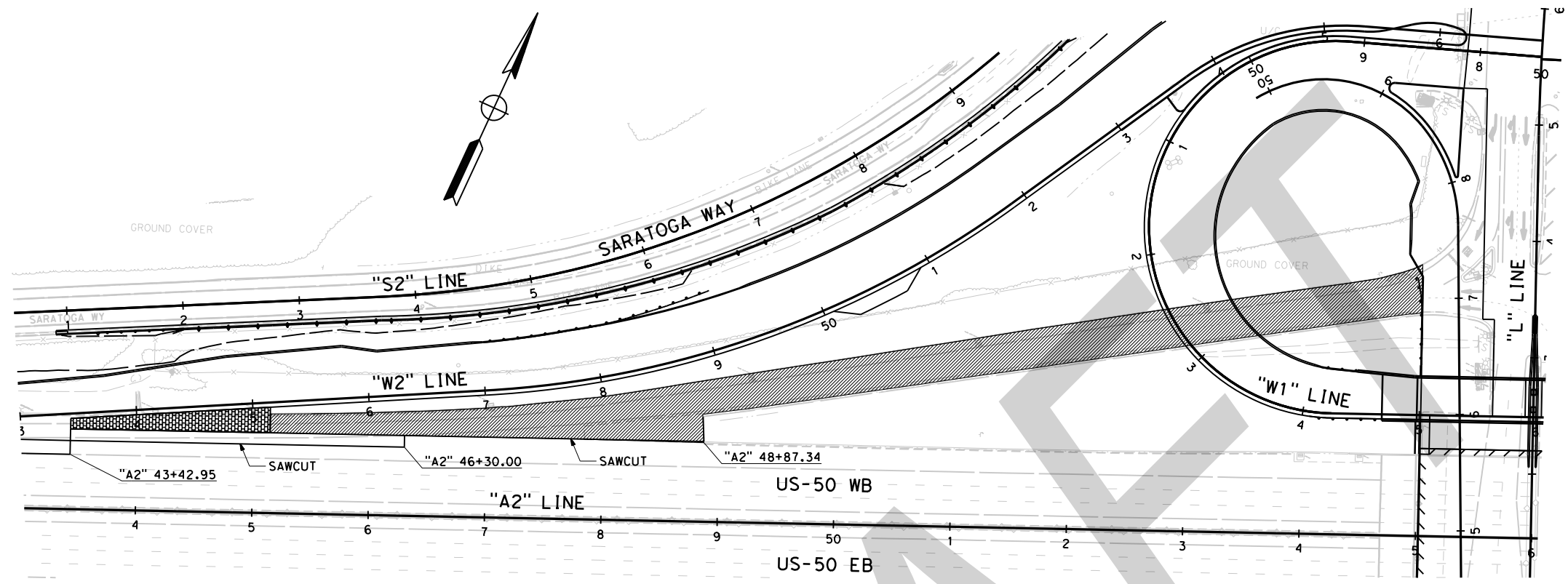
Dist	COUNTY	ROUTE	POST MILES TOTAL PROJECT	SHEET No.	TOTAL SHEETS
03	ED	50	0.60/1.35	32	245

*Carl H. Gibson III* 6/6/12  
 REGISTERED CIVIL ENGINEER DATE  
 PLANS APPROVAL DATE  
 6/6/12  
 No. C63399  
 Exp. 09/30/12  
 CIVIL  
 STATE OF CALIFORNIA

QUINCY ENGINEERING INC  
 3247 RAMOS CIRCLE  
 SACRAMENTO, CA 95827-2501

EL DORADO COUNTY  
 2850 FAIRLANE COURT  
 PLACERVILLE, CA. 95667

**LEGEND:**  
 OBLITERATE SURFACING

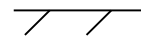
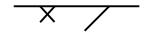




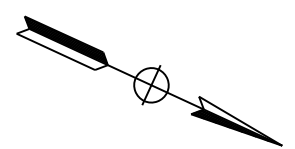
**OBLITERATE SURFACING  
 CONSTRUCTION DETAILS**  
 SCALE: 1"=60'  
 12-0325.B. Page 32 of 245  
**C-9**

LAST REVISION DATE PLOTTED => 6/5/2012 00-00-00 TIME PLOTTED => 4:31:56 PM



**NOTE:**  
1. FOR DETAILS OF COLD PLANE AND OVERLAY, SEE TYPICAL SECTIONS.

- LEGEND:**
-  0.10' HMA OVERLAY
  -  COLD PLANE (0.10') AND HMA OVERLAY
  -  PAVEMENT REHABILITATION
  -  PAVEMENT RECONSTRUCTION

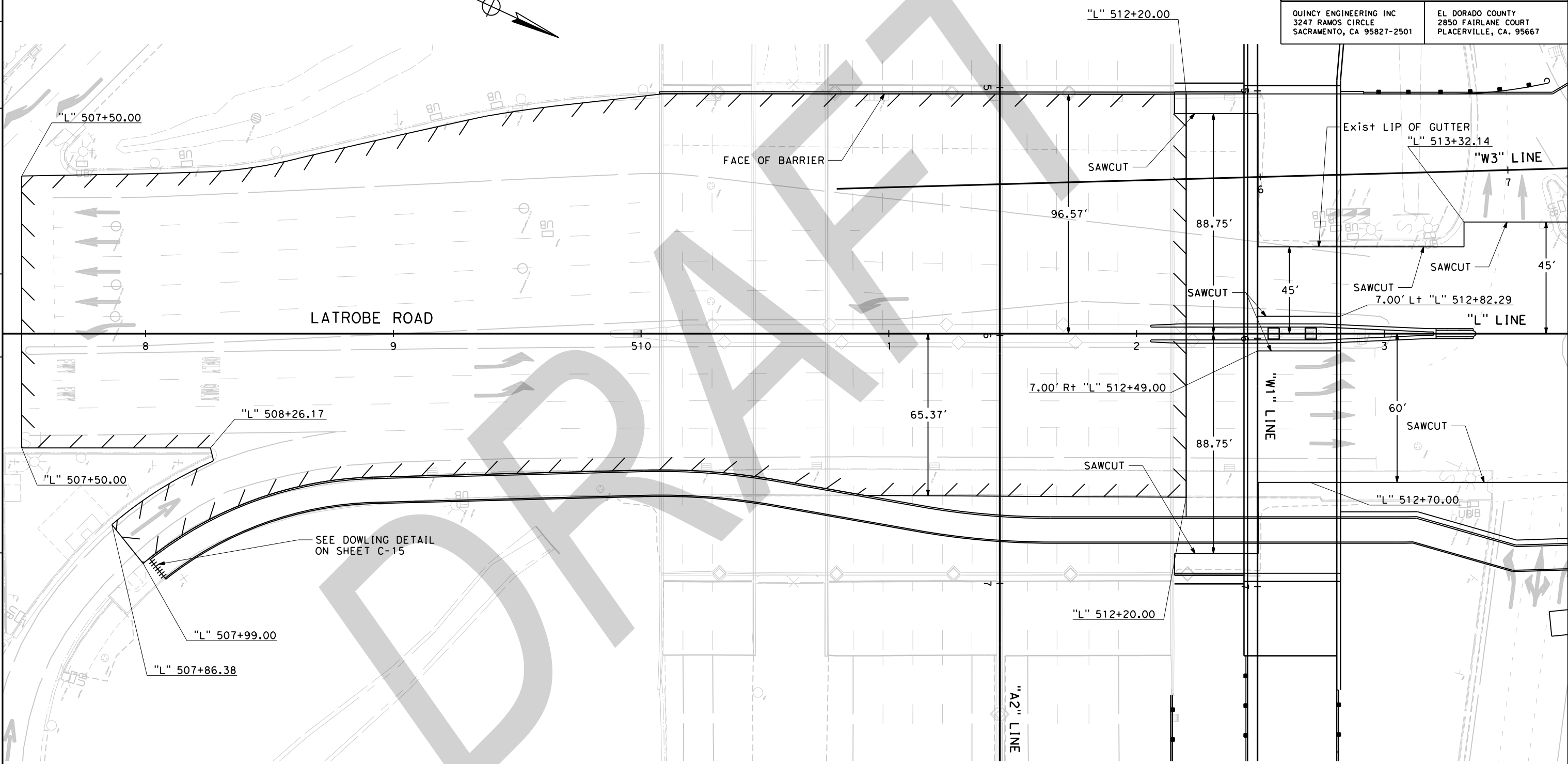


Dist	COUNTY	ROUTE	POST MILES TOTAL PROJECT	SHEET No.	TOTAL SHEETS
03	ED	50	0.60/1.35	33	245

*Carl H. Gibson III* 6/6/12  
 REGISTERED CIVIL ENGINEER DATE  
 6/6/12  
 PLANS APPROVAL DATE  
 THE STATE OF CALIFORNIA OR ITS OFFICERS OR AGENTS SHALL NOT BE RESPONSIBLE FOR THE ACCURACY OR COMPLETENESS OF SCANNED COPIES OF THIS PLAN SHEET.

QUINCY ENGINEERING INC 3247 RAMOS CIRCLE SACRAMENTO, CA 95827-2501	EL DORADO COUNTY 2850 FAIRLANE COURT PLACERVILLE, CA. 95667
--	---

STATE OF CALIFORNIA - DEPARTMENT OF TRANSPORTATION  
 MATT RUBLE  
 CARL GIBSON  
 R. BRENT LEMON  
 CONSULTANT FUNCTIONAL SUPERVISOR  
 CALCULATED/DESIGNED BY  
 CHECKED BY  
 REVISED BY  
 DATE REVISED



**COLD PLANE DETAILS**

**CONSTRUCTION DETAILS**

SCALE: 1"=20'  
12-0325.B. Page 33 of 245

**C-10**

LAST REVISION    DATE PLOTTED => 6/5/2012  
 00-00-00    TIME PLOTTED => 4:31:57 PM



























































































































































































































































































































































































































































































