

M. Williams Open Forum BUS 8/30/2022

The Veterans Hill Project 8401 Ascension Ln. Pilot Hill Ca. 95633

Serving Homeless Veterans and their Families

916-717-4477

? Who Replied?

Mr. George Turnboo, Supervisor District 2

Mrs. Lori Parlin, Chair Supervisor District 4.

330 Fair Lane Placerville ca. 95667

Request: Reparations / Zoning fee waver 40ac / Hardship housing / Pandemic relief for Perry Mike Williams, local 100% disabled Veteran.

Dear Supervisors,

My name is Mike Williams, I graduated El Dorado High in 1971 and was drafted in the military for service during the Viet Nam war. Before I was drafted, I was ready to attend UCLA under a track and football scholarship directed by my coach Mr. Gary Kenworthy. I still hold school records lasting over 50 yrs. Like many young men, I never got to live my dream of professional sports and forced into a war that made no sense to me and many of my fellow soldiers.

I was proud to serve my country with honor and respect for America.

The war was not kind to me and I suffered many conditions so bad I never talk about it. Today I'm a 100% disabled Veteran, 1 of only 1180 veterans in the entire USA. My disability has been hell to live with and during the bad times I went homeless hoping God would take me. I guess God is not done with me because my 3 kids and 3 grand kids get to have their father and grandpa...now my calling in life is to help our homeless veterans and love them as my own and I need your help.

My request to you and my community comes from my heart for other veterans who have no place to call home or even a good friend to count on in times of need.

I'm asking for something never asked of you , Reparations in wavers and support to continue to do what God has me to do...HOUSE AND SUPPORT OUR HOMELESS VETERANS ON MY 40 ac. In Pilot Hill. WAVERS: Employees Housing for 6 Ag workers, Temp housing for Veterans and workers, and all permits and fees required for my land zoned Agricultural and Rural.

Thank you and bless all of you,

God Bless America

Mike Williams, Founder of the Veterans Hill Project.



4/5/22



8-10-21

Mr. Fawad Bey, Owner

8401 Ascension Ln. Pilot Hill Ca. 95664

Sir, Dear Friend

As you know, I'm the founder of [The Veteran's Hill Project] established to serve and support our local Veterans through The El Dorado County Foundation a 501c3. We are also blessed and supported by Home Depot, local supermarkets, food & clothing banks as well as many local Veterans and families.

Our mission is bold and far reaching but someone needs to seriously address our homeless and displaced Veterans in our community, and your offer to let us establish our prototype base camp as an AG community on your property is a major blessing for all of us.

I know 1st. hand the pain and suffering of being homeless in the streets of Sacramento for 5years...I'm lucky to be alive! I know you and I don't need to do this, but when God calls you listen, and I'm still listening even though I'm now a 100% Disabled Veteran almost 70.

Our 1st. step is to work under existing codes as an AG/ Rural project of 20 ac. at your site. We intend to setup a prototype base camp where we will have our office and I will live on site PT to always be on call as needed for Media/ News and donation visits. We will use all Home Depot products and promote them for supporting us along the way.

I hope to visit you at your land to go over our proposed site.

Bless you and your gift!

Sincerely yours,

Mike Williams, Founder of The Veteran's Hill Project

[54] MODULAR ENDOSCOPIC APPARATUS WITH PROBE

Primary Examiner—Howard W. Britton
Attorney, Agent, or Firm—Julian Caplan

[75] Inventor: P. Michael Williams, San Carlos, Calif.

[57] ABSTRACT

[73] Assignee: Acuimage Corporation, San Carlos, Calif.

A miniaturized video image device 22 includes a video image sensor 32 provided in optical communication with a probe 40 which is comprised of a rod lens or fiber optics or the like. The probe 40 includes a tip deflection wire 64 for deflecting and positioning the distal end 62 of the probe 40. A balloon 70 is provided adjacent the distal end 62 of the probe 40 in order to assist in positioning the distal end 62 and to allow for the performing of various surgical techniques. Additionally conduits 72, 78 and ports are provided for providing fluids to the distal end 62 in order to flush distal end 62 and for additionally allowing aspiration of fluids from the distal end 62 as a procedure is being performed. In an embodiment the probe 40 is rotatable with respect to the housing 30 containing the image sensor 32 in order to allow the distal end 42 to be deflected in a desired direction.

[21] Appl. No.: 376,881

[22] Filed: Jul. 6, 1989

[51] Int. Cl.⁵ A61B 1/04; A61B 1/06

[52] U.S. Cl. 358/98; 128/6

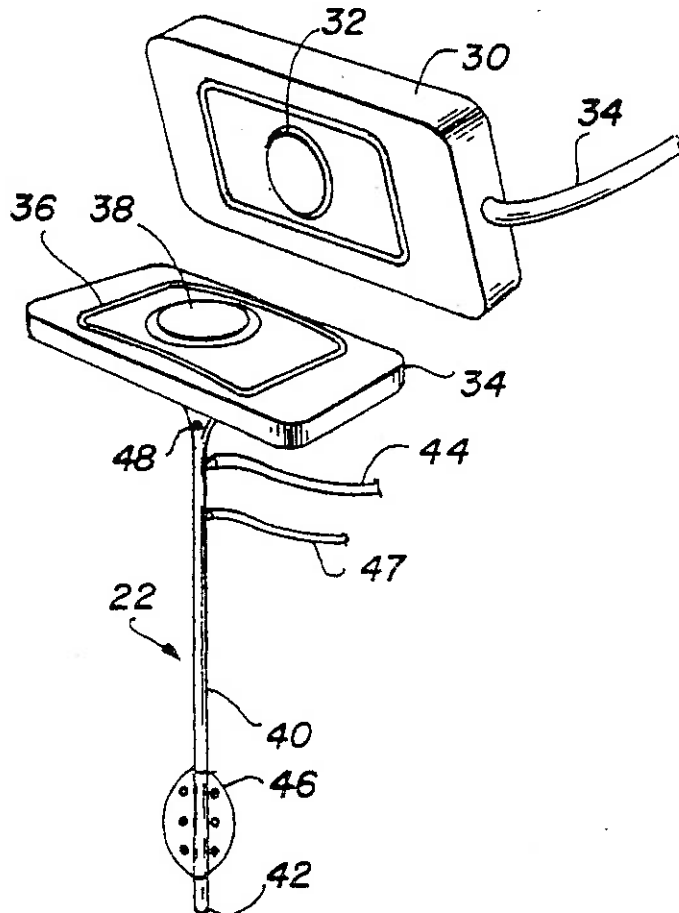
[58] Field of Search 358/98; 128/4, 6-9, 128/11

[56] References Cited

U.S. PATENT DOCUMENTS

4,727,416	2/1988	Cooper	358/98
4,854,302	8/1989	Allred	358/98
4,899,731	2/1990	Takayama	358/98
4,905,082	2/1990	Nishigaki	358/98

23 Claims, 3 Drawing Sheets



It's all one unit!

Now, instead of the costly clutter of separate cameras, monitors and space-eating computers, as well as cables, docking stations and keyboards, Digital Doc's Evolution Series brings all of these space-robbing elements together into one sleek chair-side solution that allows you to view and capture intraoral photos, view digital x-rays, archive patient photos and fully utilize advanced patient education techniques.

You now have the room to move about yet still have all these functions within arms reach. Just as important, Digital Doc's TrueSpectrum, 100,000 hour enhanced LED Lighting delivers a picture clarity that affords you a new spectrum of razor sharp details.

Added features such as the convenience of no footpedals to capture an image, USB direct to your PC, hermetically sealed glass front 15" flat screen monitors for easy wipe down between patients, will make Digital Doc's Evolution the new standard in every treatment room.

Have Evolution your way. You can elect to take full advantage of Evolution's integrated technology with the **Evolution M series**; flat screen monitor, intraoral camera and on-board 12 full page memory all in one compact self-contained unit.

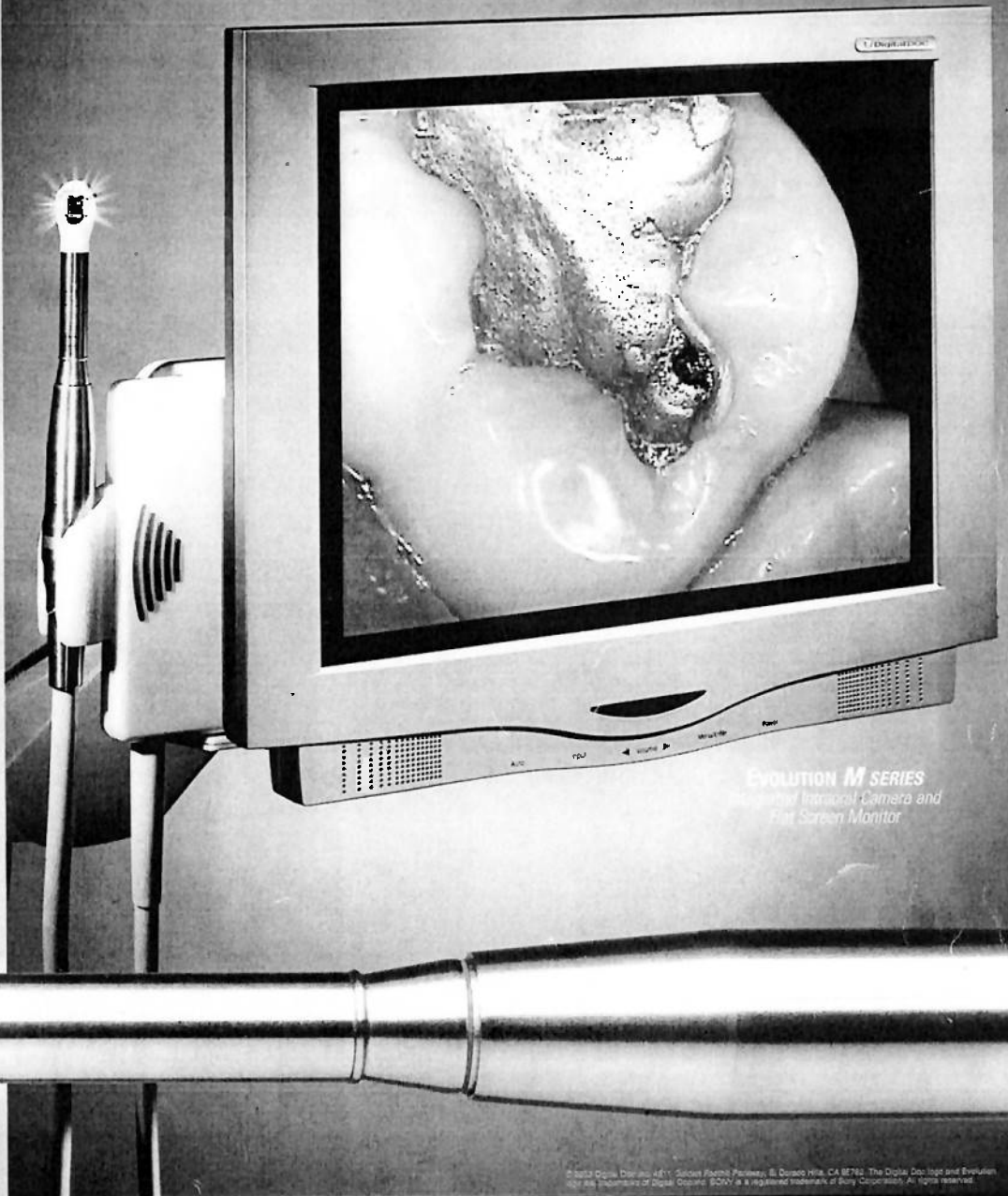
Or enjoy an intraoral camera, multi-media 15" monitor for patient education and entertainment, and a

pre-wired arm with USB — all plug and play with the **Evolution C series**.

For the first time, leading-edge technology affording a new level of efficiency in delivering patient care, has evolved. For full information call or visit us at www.digi-doc.com.

Call 800-518-1102
www.digi-doc.com

Evolution



EVOLUTION M SERIES
Integrated Intraoral Camera and
Flat Screen Monitor

© 2003 Digital Doc, Inc. 4811 Silicon Ranch Parkway, S. Duarte Hills, CA 91762. The Digital Doc logo and Evolution are trademarks of Digital Doc, Inc. SONY is a registered trademark of Sony Corporation. All rights reserved.

**Digital Doc integrates camera, monitor and computer cables
into one space-saving, chair-side solution.**

 **Digital DOC™**

The Veterans Hill Project was established 1 yr. ago to house love and feed the homeless veterans and other homeless during the Covid lock down.

The location of this experiment is 8401 Ascension Ln. On land gifted to the Veterans. This off grid land is in the middle of no where behind Folsom Lake. Camp sites, trailers and small a cabin are in the process of approvals from building dept.

In just 1 yr. we were able to send over 35 local homeless to their families and friends and assist 15 in finding local housing and jobs.

We have assisted over 60 people living in their cars on a temp bases. We just saved a homeless veteran from committing suicide. He now has a job and home!

COST TO DO ALL OF THIS WAS ABOUT \$60,000 PAID FOR BY THE FOUNDER MIKE WILLIAMS. 916-717-4477

- The Angel Landlord Homeless Housing Program.
- Find 10 Local Large Land owners willing to cabin approved homeless people. 1 and 2 bdrm.
- Home Depo will offer materials free or discount and build ea. Cabin for free.
- Angel Landlords will be supported by all existing services to help manage the project.
- Landlords will get up to \$1200 per homeless person.
- First funding to kick start the first 50 sites should come from the El Dorado Co. Foundation. City wide donations will be setup at all businesses to have community support for the angel landlords.
- Goal is to take all homeless off the streets in El Dorado Co. in 2 yrs.

M. Lane Open Forum BOS 8/30/2022

Melody Lane, Founder – Compass2Truth

8/30/22 Truth need not fear its enemies

The progressive left aspires to turn America into a socialist country. Our nation's core values and beliefs in freedom are being eroded. In a socialist society, one that mirrors China's communist ideology, a self-anointed ruling class will tell everyone else what to do. Two things we must remember about Free Speech: 1) that the First Amendment does not play favorites and 2) that Truth need not fear its enemies.

Last week during the Perks Court Navigation Center agenda item Comrade Parlin prohibited applause because she said it was "disruptive and against BOS protocols." When I informed her that applause was an acceptable form of expression protected by the First Amendment, and that protocols are not law, she demanded that I "go sit down." Compliance to totalitarianism is no virtue, so I stood my ground and responded, "I don't take orders from deviant dictators." During and after the meeting I received a tremendous amount of thanks and support for my remarks.

On April 12th of this year the BOS received from me legal justification that applause is indeed protected by the First Amendment. That message is again being entered into the public record, but here are a few salient examples:

- In *Norse v. City of Santa Cruz*, "Clapping during public comment does not amount to the type of 'actual disturbance' required by *Norse* and *Norwalk*..."
- In 1865 the *New York Times* recorded "Thereupon rose a general shout of applause. The members of the floor huzzaed in chorus with deafening and equally emphatic cheers of the throng in the galleries. The ladies in the dense assemblage waved their handkerchiefs, and again and again the applause was repeated, intermingled with clapping of hands and exclamations of "**Hurrah for freedom.**" Never was a scene of such joyous character before witnessed in the **House of Representatives.**"
- It is a long standing tradition that during the President's annual State of the Union address, members of the US Supreme Court sit quietly and without expression while members of Congress frequently interrupt the address with cheers and applause. The justices sit unmoved. Their stoic demeanor reflects a common view that the justices, **answerable only to the law**, are above the political fray and passions of the moment.

If citizens don't know their rights, then they have no rights, nor will they be able to recognize when government oversteps its bounds. Thankfully millions of Americans are finally waking up to the corruption, lies and tyranny happening in our government. Never forget that you are all public servants who have taken a sacred oath to support and defend the Constitution and our God-given rights. Ultimately you will stand before the Supreme Judge of us all to give account for your unlawful actions.

If you have any comments, make them now while I'm at the podium.

From: Melody Lane [mailto:melody.lane@reagan.com]

Sent: Tuesday, April 12, 2022 7:03 PM

To: lori.parlin@edcgov.us; george.turnboo@edcgov.us; wendy.thomas@edcgov.us; john.hidahl@edcgov.us; sue.novasel@edcgov.us; david.livingston@edcgov.us; 'Donald Ashton'

Cc: todd.white@edcgov.us; joseph.carruesco@edcgov.us; Vern R Pierson; Sheriff DAgostini; andrew.nevis@waterboards.ca.gov; bosfive@edcgov.us; bosfour; bosone@edcgov.us; bosthree@edcgov.us; bostwo@edcgov.us

Subject: Today's BOS Open Forum public comments...

Lori, et al,

After Mandi Rodriguez had finished her comments during today's Open Forum you had the audacity to admonish me, and others, for applauding Mandi's comments. It should interest you to know that applause is a form of expression protected by the First Amendment.

Please take note below of just a few examples in which applause is found to be perfectly acceptable form of expression, followed by my Open Forum transcript:

- 1) It is a long-standing tradition that during the **President's annual State of the Union address**, members of the United States Supreme Court sit quietly and without expression in the first row while members of Congress frequently interrupt the address with raucous cheers and applause. Yet, despite all the rousing ovations, the justices sit, seemingly unmoved. Their stoic demeanor reflects a common view that the justices, answerable only to the law, are above the political fray and passions of the moment.
- 2) In *Norse*, the City argued that cities may define "disturbance" in any way they choose. Specifically, the City argued that it has defined any violation of its decorum rules to be a "disturbance." Therefore, the City reasoned, Norwalk permits the City to eject anyone for violation of the City's rules—rules that were only held to be facially valid to the extent that they require a person actually to disturb a meeting before being ejected.

The Court rejected the City's argument, stating "Actual disruption means actual disruption. It does not mean constructive disruption, technical disruption, virtual disruption, nunc pro tunc disruption, or imaginary disruption. The City cannot define disruption so as to include non-disruption to invoke the aid of *Norwalk*." *Norse v. City of Santa Cruz*, 629 F.3d 966, 976 (9th Cir. 2010). "...clapping during public comment does not amount to the type of 'actual disturbance' required by *Norse* and *Norwalk* to merit removal or ejection from the City Council meeting."

- 3) Jackson had won **confirmation to the Supreme Court**. When the final tally was announced, the Democrats broke out into applause and cheers. Murkowski joined them, while Romney applauded from across the aisle. Many Republicans had already left the chamber, but those remaining walked out during the applause. Romney remained alone on the Republican side, clapping.
- 4) The *New York Times* recorded the scene when the measure passed in January 1865: "Thereupon rose a general shout of applause. The members on the floor huzzaed in chorus with deafening and equally emphatic cheers of the throng in the galleries. The ladies in the dense assemblage waved their handkerchiefs, and again and again the applause was repeated, intermingled with clapping of hands and exclamations of 'Hurrah for freedom,' 'Glory enough for one day,' &c. The audience were wildly excited, and the friends of the measure were jubilant. Never was a scene of such a joyous character before witnessed **in the House of Representatives....**"

###

The Nuremberg Trials were all about obedient soldiers being held accountable for simply following orders. But the judges ruling over the trials determined that calling it "one's job" did not make something right. In fact, they had a DUTY to disobey an illegal order.

George Washington once quipped that "***Rebellion to Tyrants is Obedience to God***" as he bravely confronted the most powerful military force in the world. His buddy, Patrick Henry, brazenly stated in a session of Congress, "***Give me liberty, or give me death.***" He also said, "***It is when a people forget God that tyrants forge their chains.***"

Both men chose to do the ***right thing*** in the face of ***authoritarian wrong***. The Constitution grants no inalienable right to do the ***wrong thing***.

Samuel Adams, the firebrand of the Revolution stated: "***If ye love wealth better than liberty, the tranquility of servitude better than the animating contest of freedom, go home from us in peace. We ask not your counsels or arms. Crouch down and lick the hands which feed you. May your chains set lightly upon you, and may posterity forget that ye were our countrymen.***"

Dietrich Bonhoeffer famously stated, "***Silence in the face of evil is itself evil; God will not hold us guiltless. Not to speak is to speak. Not to act is to act.***"

In the face of tyranny, cowardice often masquerades as virtue. Cowardly compliance is not virtue. Pastors, teachers, doctors, lawyers, politicians and law enforcement have let us down in the most crucial of hours. Fear is the fuel of compromise, and adherence to fear is nothing more than suicide. God cannot be pleased with **George Turnbo** and **Todd White** who pretend to be church leaders, nor the censorship of **Don Ashton**, **Sheriff D'Agostini**, **Andy Nevis**, **Comrade Parlin**, and **several department heads** who silently obey out of fear such government despots instead of the God of Abraham.

The preamble to the Brown Act states, "***The people do not yield their sovereignty to the bodies that serve them.***" Yet I've been appalled at how few citizens, Christians especially, bother to attend BOS meetings to exercise their sovereignty and expose the works of evil as scripturally mandated in Ephesians 5:11.

This is no time to go along to get along. We must all boldly stand together to defend our civil liberties and actively hold public servants accountable to their Constitutional oaths, otherwise our Republic will cave to political tyranny. Choose this day whom you will serve. Not to speak or act is to condone the evil that befalls us, and God will ultimately be The Judge.

If you have any questions or comments, please make them now while I'm at the podium.

And Lori, you still haven't responded to several phone calls and emails. Don't forget who you work for.

###

Melody Lane

Founder – Compass2Truth

"All that is necessary for the triumph of evil is that enough good men do nothing." ~ Edmund Burke ~