

INDEX OF SHEETS

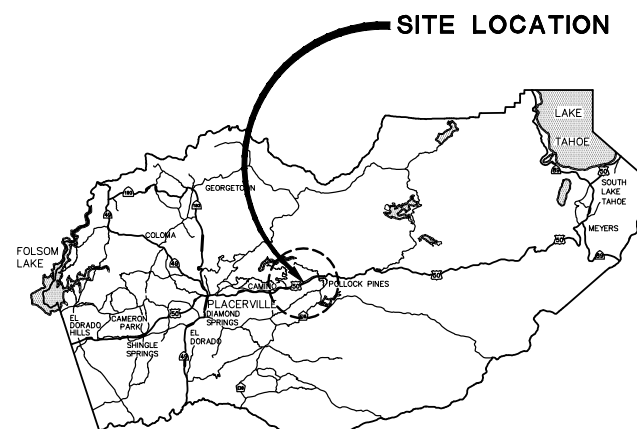
SHEET	PLAN SHEET	TITLE
1		TITLE SHEET
2	CD-1	SURVEY AND CONTROL DIAGRAM
3-4	X-1 THRU X-2	TYPICAL SECTIONS
5-7	L-1 THRU L-3	LAYOUT
8	C-1	CONSTRUCTION DETAILS
9	EC-1	EROSION CONTROL
10-11	D-1 THRU D-2	DRAINAGE LAYOUT
12	D-3	DRAINAGE QUANTITIES
13	DM-1	DEMOLITION PLAN
14	DE-1	DETOUR PLAN
15	SPD-1	SIGNING AND PAVEMENT DELINEATION
16	S-1	STRUCTURAL DETAILS
17	DX-1	EID CROSSING
18	RW-1	RETAINING WALL NO. 1

COUNTY OF EL DORADO, CA COMMUNITY DEVELOPMENT AGENCY TRANSPORTATION DIVISION

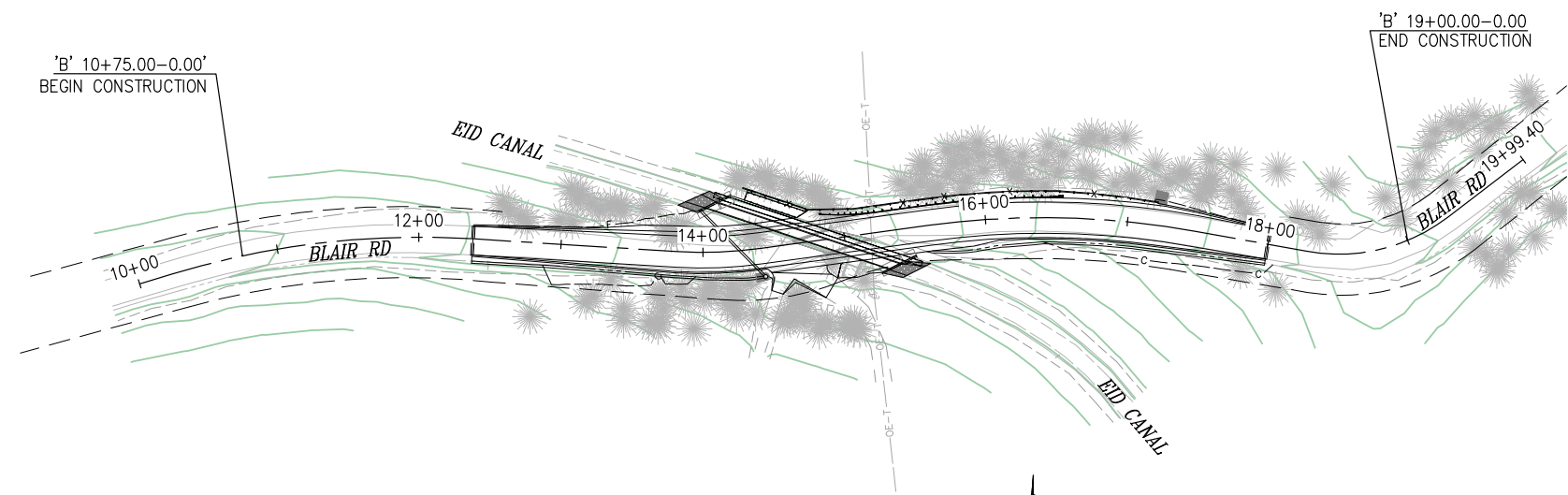
PROJECT PLANS FOR THE CONSTRUCTION OF BLAIR ROAD AT EID CANAL BRIDGE REPLACEMENT

IN THE COUNTY OF EL DORADO, DISTRICT 5
ON BLAIR ROAD, 0.54± MILES NORTH OF THE PONY EXPRESS/BLAIR RD INTERSECTION

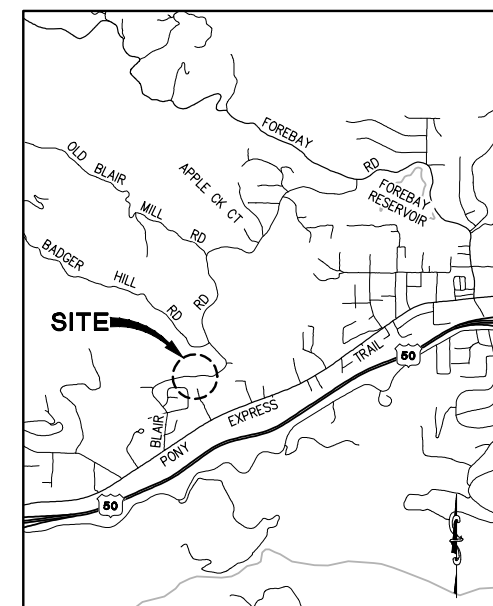
To be supplemented with Standard Plans and Specifications dated 2010, including
the revised Standard Specifications, of the California Department of
Transportation, unless otherwise noted.



VICINITY MAP
COUNTY OF EL DORADO



SITE PLAN
SCALE: 1"=60'



LOCATION MAP
NOT TO SCALE

BOARD OF SUPERVISORS

RON MIKULACO	I
SHIVA FRENTZEN	II
BRIAN VEERKAMP	III
MICHAEL RANALLI	IV
SUE NOVASEL	V

**COUNTY OF EL DORADO
COMMUNITY DEVELOPMENT AGENCY
TRANSPORTATION DIVISION**

(530) 621-5900
2850 FAIRLANE CT
PLACERVILLE, CA 95667

ADOPTED AND APPROVED BY:

RON MIKULACO CHAIR, EL DORADO COUNTY BOARD OF SUPERVISORS	DATE
APPROVED BY:	DATE
STEWART A. BERNETTI, DIRECTOR COMMUNITY DEVELOPMENT AGENCY	DATE
JOHN H. KAHLING, P.E., NO. C52426 DEPUTY DIRECTOR, ENGINEERING	DATE

PW NO. 15-3111 | PROJECT NO. 77119

**BLAIR ROAD AT EID CANAL
BRIDGE REPLACEMENT**

TITLE SHEET

SHEET **1** OF **18**

ABBREVIATIONS

- MGS — MIDWEST GUARDRAIL SYSTEM
- RCPE — REINFORCED CONCRETE PIPE ELLIPTICAL

CONTRACTOR'S LICENSE CLASSIFICATION: Bidders shall be properly licensed to perform the Work pursuant to the State Contractor's License Act (Business and Professions Code section 7000 et seq.) and shall possess a CLASS A LICENSE or equivalent combination of Classes required by the categories and type of Work included in the Contract Documents and Plans. Failure of the successful Bidder to obtain proper and adequate licensing at the time bids are submitted shall constitute a failure to execute the Contract, and forfeiture as provided under that section.

REVISIONS

MARK	DATE	BY



FEDERAL AID PROJECT
BRLO 5925(143)

100% 05/25/16
PRELIMINARY

SUBMITTED BY: _____ DATE _____
CIVIL ENGINEER
STATE OF CALIFORNIA NO. _____

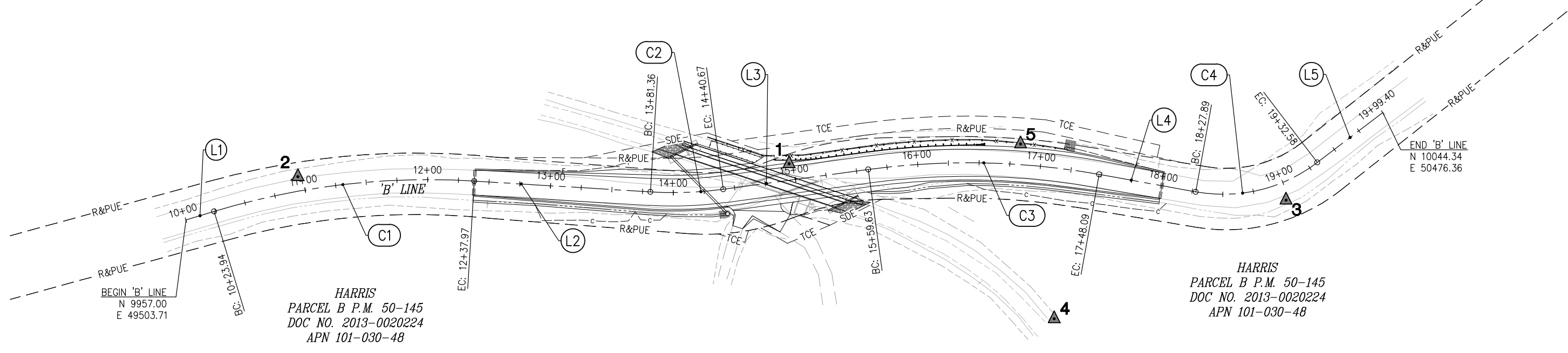
ORIGINAL SCALE IS IN INCHES
 Drawing name: C:\Civil 3D Projects\77119 Blair Road Bridge\CADD Files\Sheets\CD-1.dwg Layout Tab: CD-1 May 24, 2016 1:50pm smcvey
 FOR REDUCED PLANS
 REVISION

'B' LINE (BLAIR RD)				
NUMBER	LENGTH	RADIUS	LINE / CHORD DIRECTION & LENGTH	DELTA
L1	23.94		N 73° 06' 48" E	
C1	214.04	600.00	N 83° 19' 58" E - 212.90	20° 26' 20"
L2	143.39		S 86° 26' 52" E	
C2	59.30	300.00	N 87° 53' 21" E - 59.21	11° 19' 34"
L3	118.97		N 82° 13' 34" E	
C3	188.45	600.00	S 88° 46' 34" E - 187.68	17° 59' 45"
L4	79.80		S 79° 46' 41" E	
C4	104.69	126.00	N 76° 25' 10" E - 101.70	47° 36' 17"
L5	66.82		N 52° 37' 02" E	

NOTE:
 BEARINGS SHOWN HEREON ARE TRUE NORTH, BASED UPON FOUND MONUMENTS PER PARCEL MAP 50-145. COORDINATES SHOWN ARE ASSUMED.
 VERTICAL DATUM IS BASED ON NGVD 1929 DATUM, CONTROL POINTS SHOWN HEREON ARE TBM'S

CONTROL TABLE				
CONTROL NUMBER	NORTHING	EASTING	ELEVATION	DESCRIPTION
1	10002.7108	49993.9162	3761.12	CP SPIKE
2	9992.2557	49594.6514	3780.11	CP SPIKE
3	9973.1456	50397.7925	3730.79	CP SPIKE
4	9876.6109	50209.3964	3761.31	CP SPIKE
5	10018.8359	50182.0079	3745.49	CP SPIKE

HARRIS
 PARCEL B P.M. 50-145
 DOC NO. 2013-0020224
 APN 101-030-48



PRELIMINARY

SURVEY AND CONTROL DIAGRAM
 SCALE : 1" = 40'

NUMBER	DATE	DESCRIPTION	BY

PREPARED UNDER THE SUPERVISION OF :

DESIGNED: SGM
 DRAWN: SGM
 CHECKED: LAM
 DATE: 05/24/16
 ROAD NUMBER: 122

PROFESSIONAL LAND SURVEYOR

DATE:

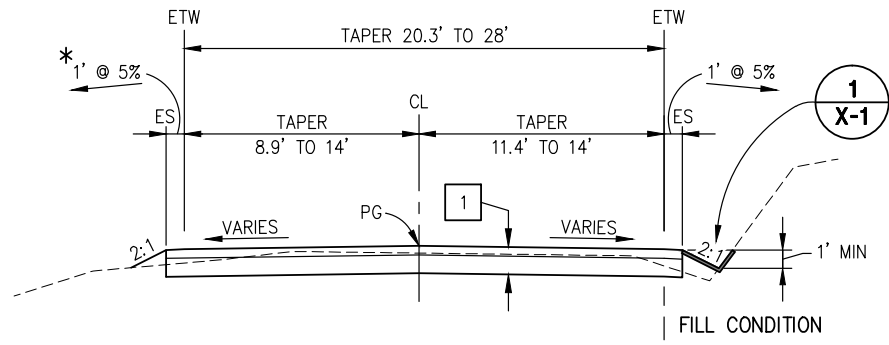
EL DORADO COUNTY
 COUNTY OF EL DORADO
 COMMUNITY DEVELOPMENT AGENCY
 TRANSPORTATION DIVISION

BLAIR ROAD AT EID CANAL
 BRIDGE REPLACEMENT

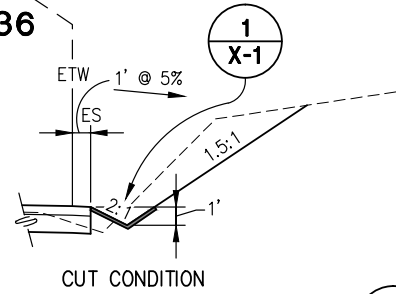
SHEET	CD-1
2 OF 18	
W.O. No.	77119

ORIGINAL SCALE IS IN INCHES
 Drawing name: C:\Civil_3D\Projects\77119 Blair Road Bridge\CADD Files\Sheets\X-Sheets.dwg Layout Tab: X-1 May 24, 2016 - 8:16am smcvey
 FOR REDUCED PLANS
 REVISION
 NUMBER DATE DESCRIPTION BY

*** SHOULDER WIDTH:**
 'B' 12+38.00 TO 'B' 13+25.00 = 1'
 'B' 13+25.00 TO 'B' 13+58.00 = TAPER 1' TO 4'
 'B' 13+58.00 TO 'B' 13+81.36 = 4'

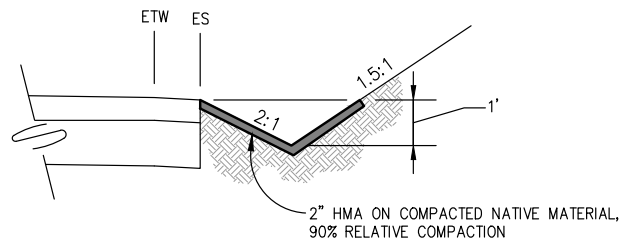


'B' 12+38.00 TO 'B' 13+81.36



CONSTRUCTION NOTES:

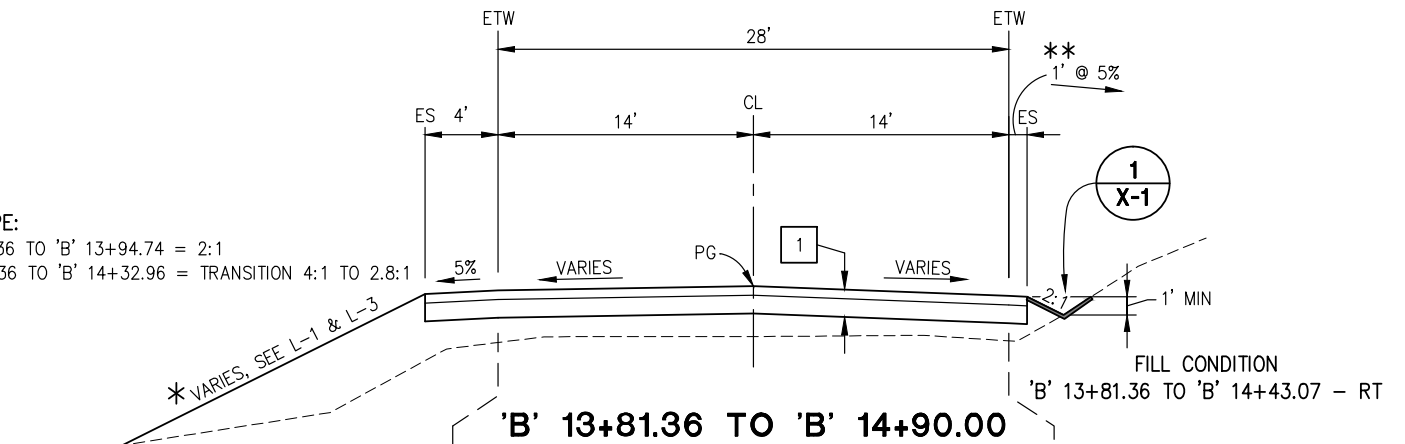
1 - 6" HMA
 12" AB (CLASS 2)



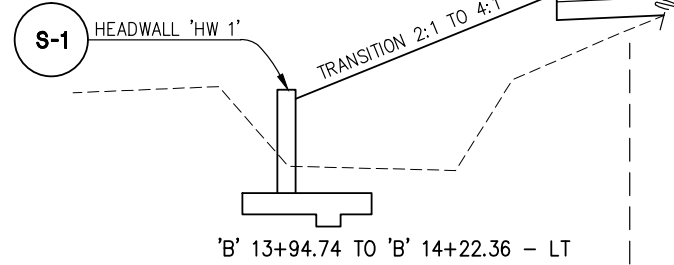
1 **HMA LINED DITCH**
 NTS

**** SHOULDER WIDTH:**
 'B' 13+81.36 TO 'B' 14+43.07 = 1'
 'B' 14+43.07 TO 'B' 14+90.00 - DIRT ACCESS ROAD,
 SEE SHT L-2

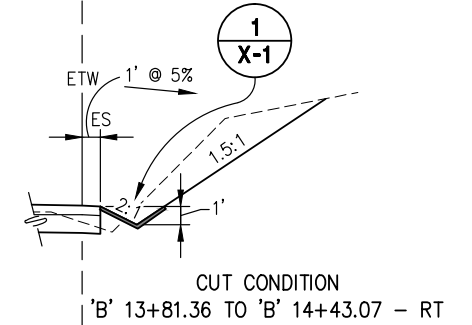
*** FILL SLOPE:**
 'B' 13+81.36 TO 'B' 13+94.74 = 2:1
 'B' 14+22.36 TO 'B' 14+32.96 = TRANSITION 4:1 TO 2.8:1



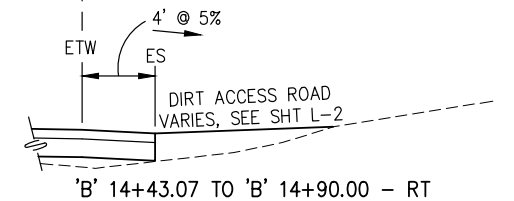
'B' 13+81.36 TO 'B' 13+94.74 - LT
 'B' 14+22.36 TO 'B' 14+32.96 - LT



'B' 13+94.74 TO 'B' 14+22.36 - LT

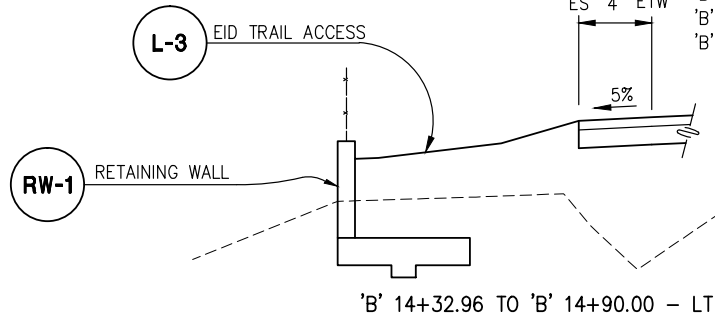


'B' 13+81.36 TO 'B' 14+43.07 - RT



'B' 14+43.07 TO 'B' 14+90.00 - RT

*** SHOULDER WIDTH:**
 'B' 14+32.96 TO 'B' 14+68.62 = 4'
 'B' 14+68.62 TO 'B' 14+76.89 = TAPER 4' TO 7.78'
 'B' 14+76.89 TO 'B' 14+90.00 = TAPER 7.78' TO 7.21'



'B' 14+32.96 TO 'B' 14+90.00 - LT

PRELIMINARY

**TYPICAL SECTIONS
SCALE : NONE**

REVISION	NUMBER	DATE	DESCRIPTION	BY

PREPARED UNDER THE SUPERVISION OF :
 REGISTERED CIVIL ENGINEER
 DATE:

DESIGNED: FWW
 CHECKED: CG
 ROAD NUMBER: 122



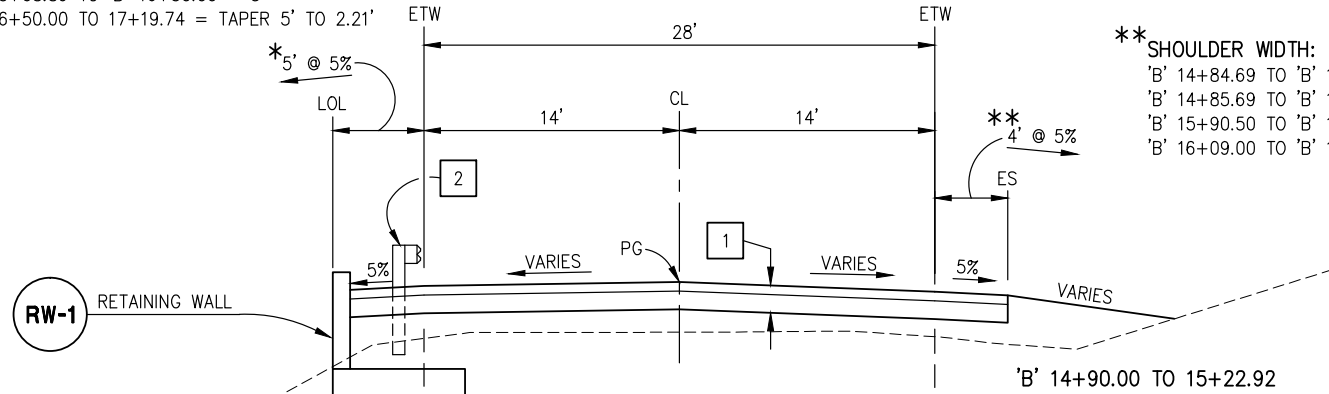
**COUNTY OF EL DORADO
 COMMUNITY DEVELOPMENT AGENCY
 TRANSPORTATION DIVISION**

**BLAIR ROAD AT EID CANAL
 BRIDGE REPLACEMENT**

SHEET
X-1
 3 OF 18
 W.O. No. **77119**

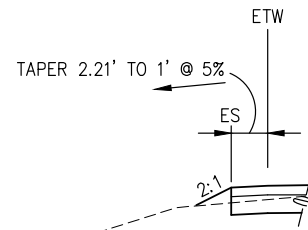
ORIGINAL SCALE IS IN INCHES
 Drawing name: C:\Civil 3D Projects\77119 Blair Road Bridge\CADD Files\Sheets\X-Sheets.dwg Layout Tab: X-2 May 24, 2016 - 8:17am smcvey
 FOR REDUCED PLANS
 REVISION
 NUMBER DATE DESCRIPTION BY

* SHOULDER WIDTH:
 'B' 14+90.00 TO 'B' 15+08.89 = TAPER 7.21' TO 5'
 'B' 15+08.89 TO 'B' 16+50.00 = 5'
 'B' 16+50.00 TO 17+19.74 = TAPER 5' TO 2.21'



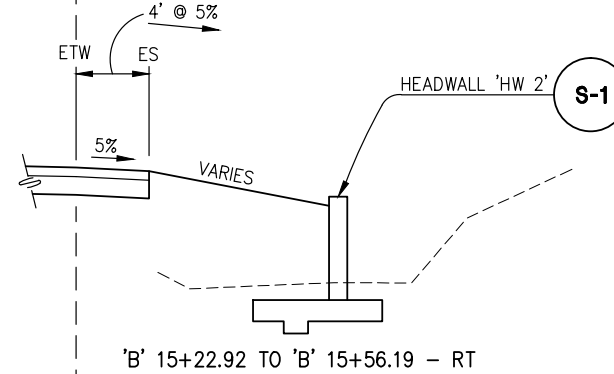
'B' 14+90.00 TO 'B' 17+25.00

'B' 14+90.00 TO 'B' 17+19.74 - LT

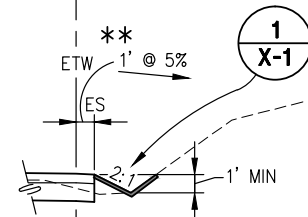


'B' 17+19.74 TO 'B' 17+25.00 - LT

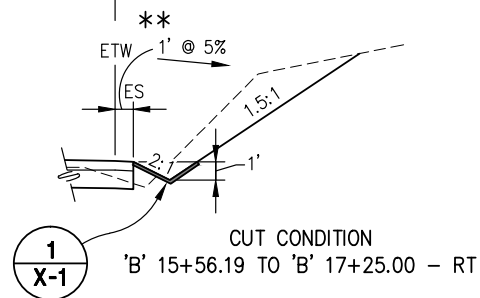
** SHOULDER WIDTH:
 'B' 14+84.69 TO 'B' 14+85.69 - DIRT ACCESS ROAD, SEE SHT L-2
 'B' 14+85.69 TO 'B' 15+90.50 = 4'
 'B' 15+90.50 TO 'B' 16+09.00 = TAPER 4' TO 1'
 'B' 16+09.00 TO 'B' 17+25.00 = 1'



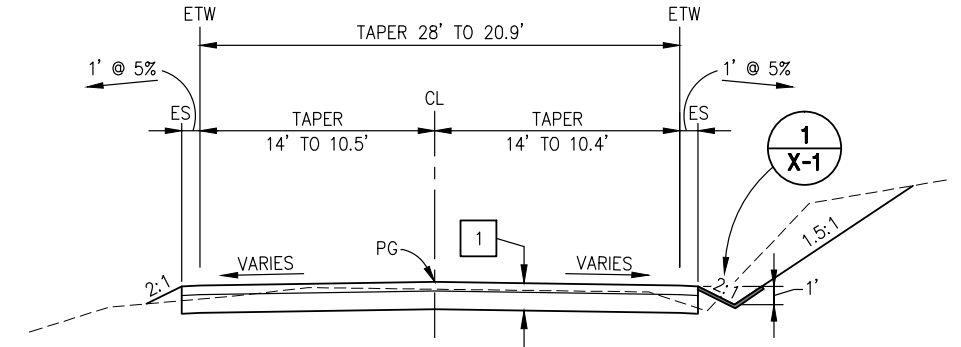
'B' 15+22.92 TO 'B' 15+56.19 - RT



FILL CONDITION
 'B' 15+56.19 TO 'B' 17+25.00 - RT



CUT CONDITION
 'B' 15+56.19 TO 'B' 17+25.00 - RT



'B' 17+25.00 TO 'B' 18+00.00

CONSTRUCTION NOTES:

- 1 - 6" HMA
12" AB (CLASS 2)
- 2 - MGS, WHERE OCCURRING. SEE SHT C-1

PRELIMINARY

TYPICAL SECTIONS
SCALE : NONE

NUMBER	DATE	DESCRIPTION	BY

PREPARED UNDER THE SUPERVISION OF :
 REGISTERED CIVIL ENGINEER
 DATE:

DESIGNED: FWW
 CHECKED: CG
 ROAD NUMBER: 122
 DRAWN: SGM
 DATE: 05/24/16

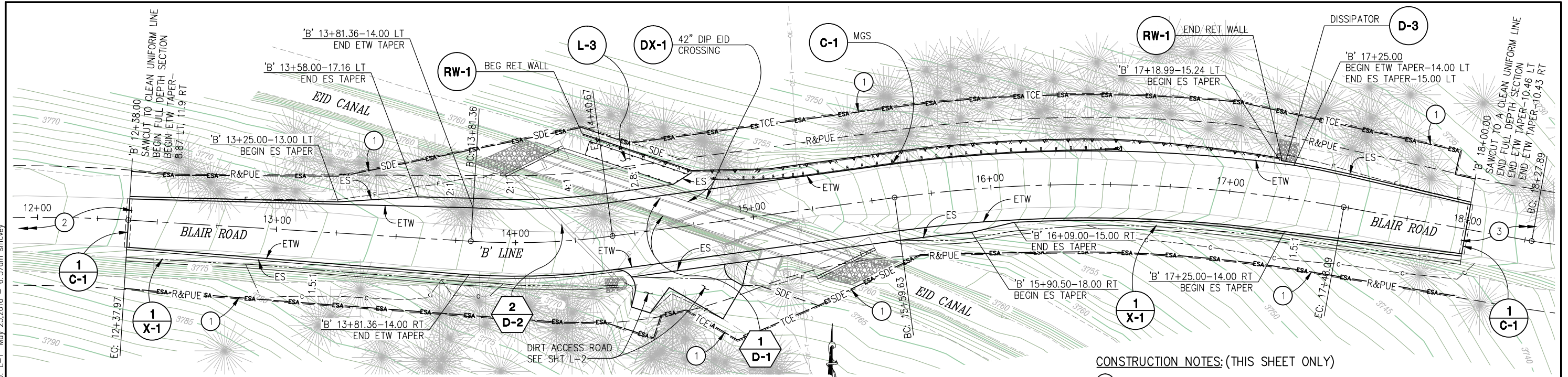


COUNTY OF EL DORADO
 COMMUNITY DEVELOPMENT AGENCY
 TRANSPORTATION DIVISION

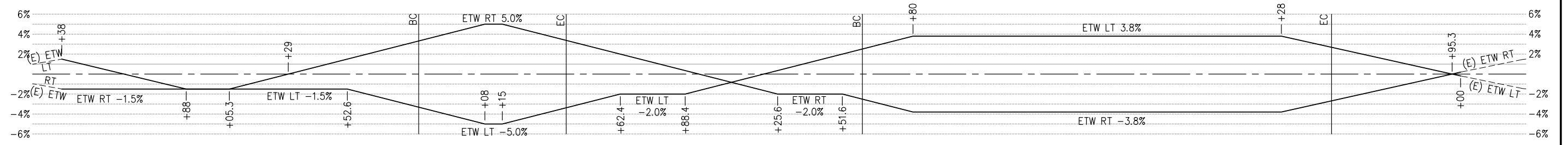
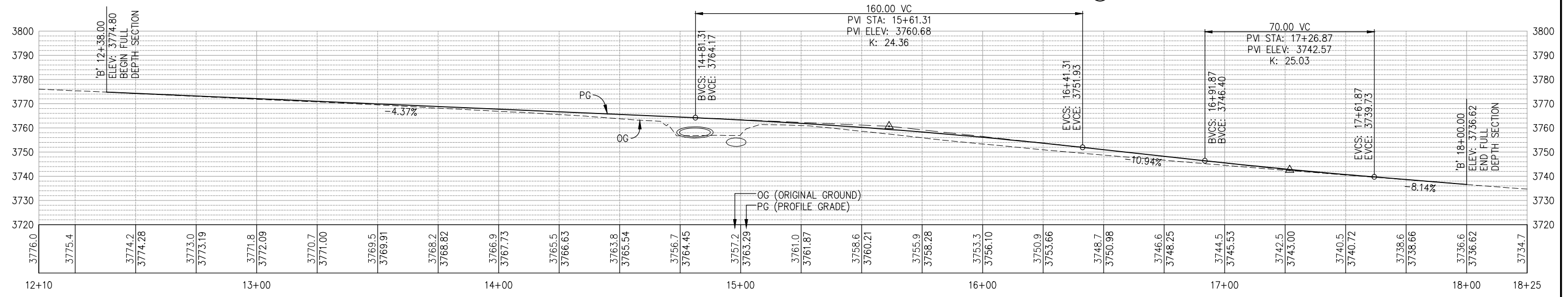
BLAIR ROAD AT EID CANAL
 BRIDGE REPLACEMENT

SHEET
X-2
 4 OF 18
 W.O. No. 77119

ORIGINAL SCALE IS IN INCHES
 Drawing name: C:\Civil_3D\Projects\77119 Blair Road Bridge\CADD\Files\Sheets\L-Sheets.dwg Layout Tab: L-1 May 25, 2016 - 6:37am smcvey



- CONSTRUCTION NOTES: (THIS SHEET ONLY)**
- ① — INSTALL ESA FENCING ALONG OUTER MOST EASEMENT LINE
 - ② — SLURRY SEAL 'B' 10+75.00 TO 'B' 12+39.00
 - ③ — SLURRY SEAL 'B' 17+99.00 TO 'B' 19+00.00



PRELIMINARY

LAYOUT SCALE : 1" = 20' H,V

REVISION	NUMBER	DATE	DESCRIPTION	BY

PREPARED UNDER THE SUPERVISION OF:
 REGISTERED CIVIL ENGINEER
 DATE: _____

DESIGNED: FWW
 CHECKED: CG
 ROAD NUMBER: 122

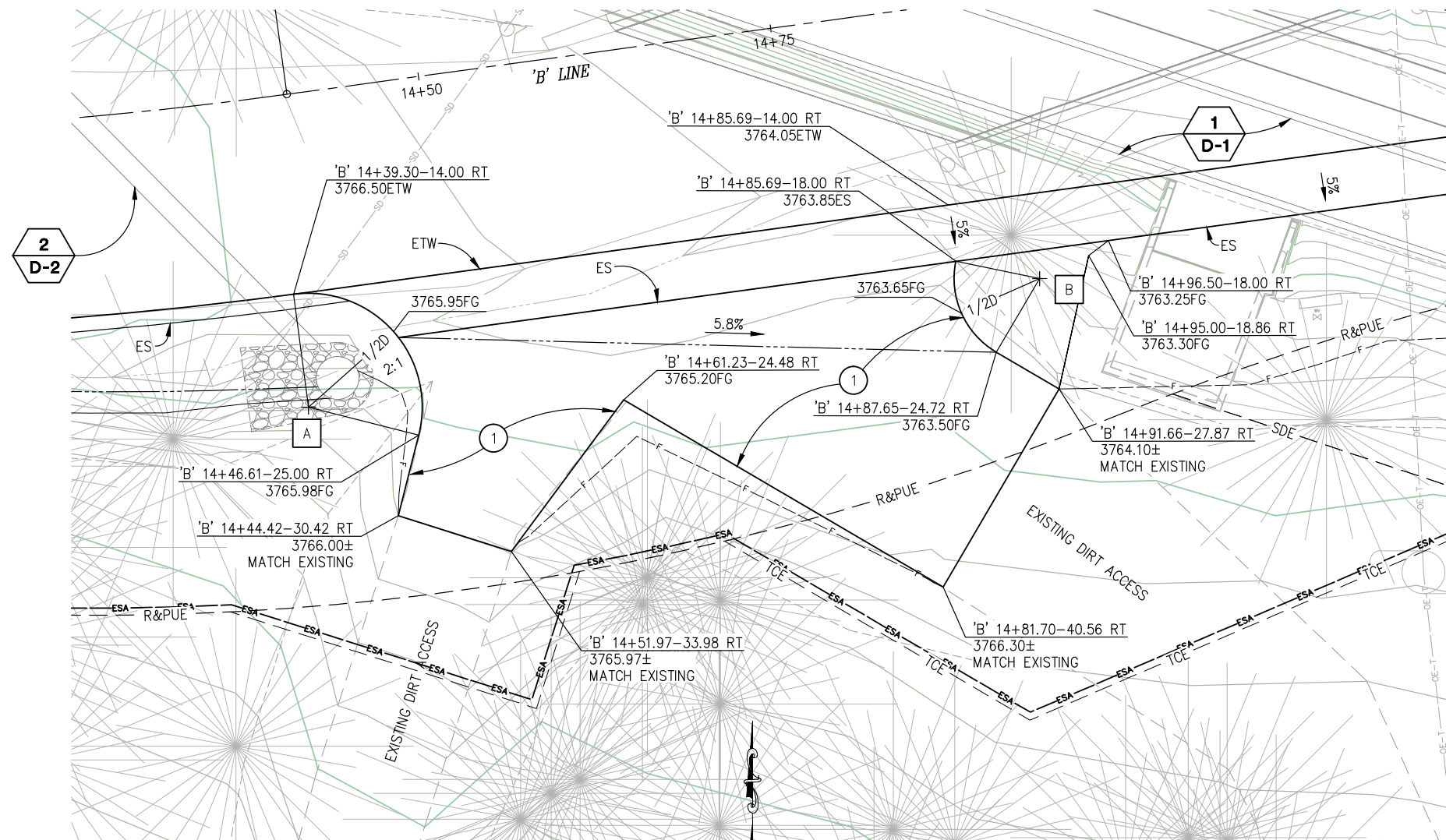


**COUNTY OF EL DORADO
 COMMUNITY DEVELOPMENT AGENCY
 TRANSPORTATION DIVISION**

**BLAIR ROAD AT EID CANAL
 BRIDGE REPLACEMENT**

SHEET
L-1
 5 OF 18
 W.O. No. **77119**

ORIGINAL SCALE IS IN INCHES
 Drawing name: C:\Civil 3D Projects\77119 Blair Road Bridge\CADD Files\Sheets\L-Sheets.dwg Layout Tab: L-2 May 25, 2016 - 6:36am smcvey
 FOR REDUCED PLANS
 REVISION
 NUMBER DATE DESCRIPTION BY



DIRT ACCESS ROAD
SCALE: 1"=5'

CURVE DATA					
REFERENCE	LOCATION	LENGTH	RADIUS	DELTA	CHORD
A	'B' 14+39.30-22.00 Rt	15.60	8	111°45'36"	N41°37'56"W 13.25
B	'B' 14+91.35-20.00 Rt	7.47	6	71°19'35"	S23°57'57"E 7.00

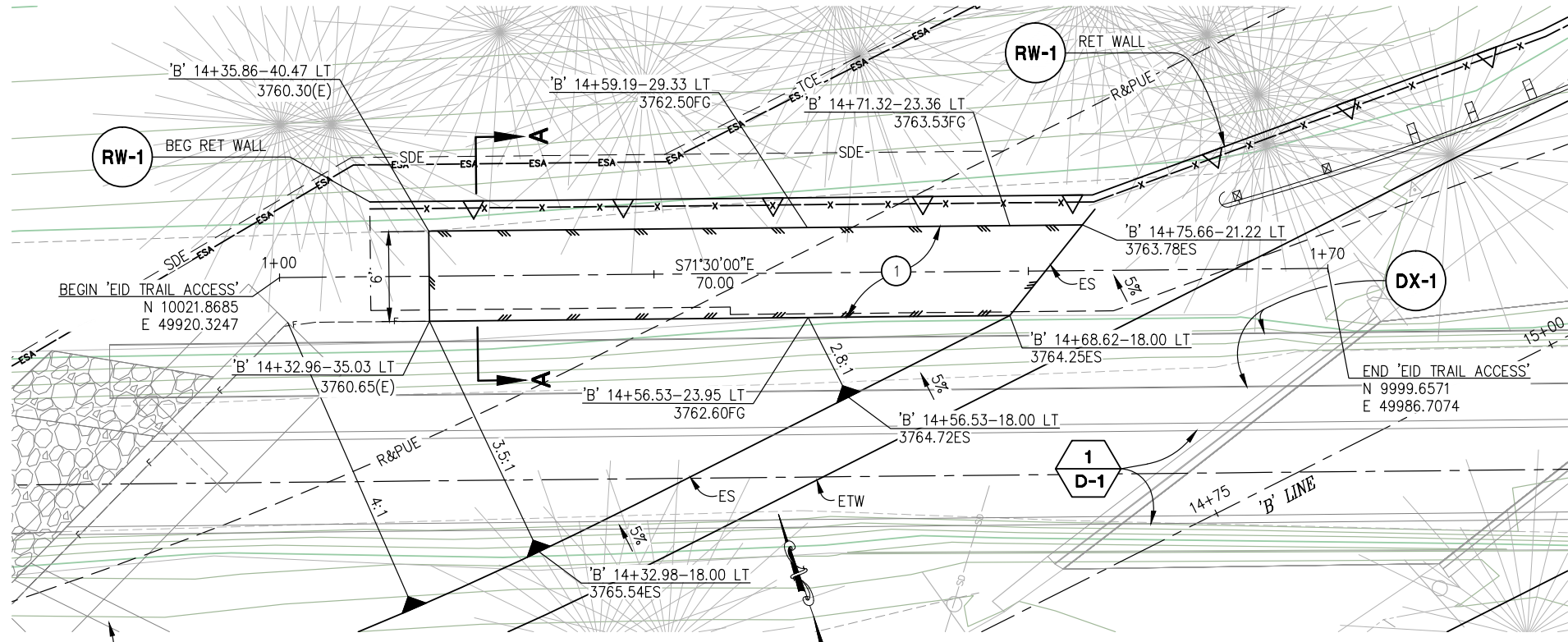
CONSTRUCTION NOTES: (THIS SHEET ONLY)

- ① — ACCESS WILL BE COMPOSED OF NATIVE COMPACTED MATERIAL AT 95% RELATIVE COMPACTION

PRELIMINARY

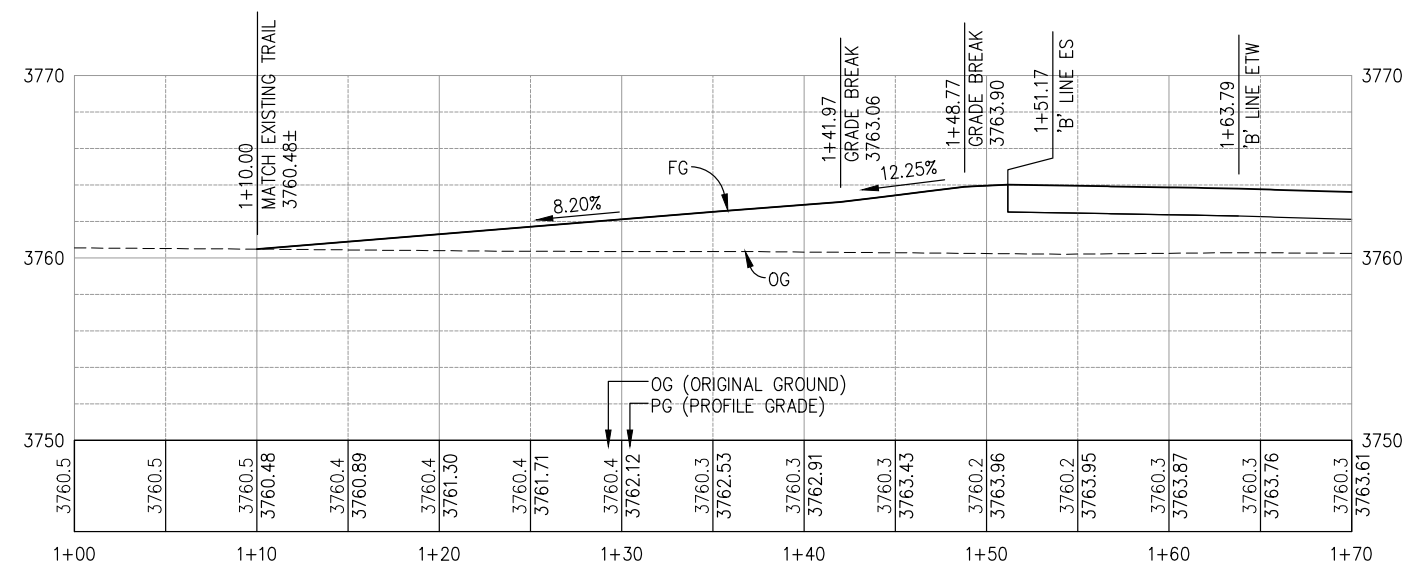
PREPARED UNDER THE SUPERVISION OF : REGISTERED CIVIL ENGINEER DATE:	DESIGNED: FWW CHECKED: CG ROAD NUMBER: 122	DRAWN: SGM DATE: 05/24/16	 COUNTY OF EL DORADO COMMUNITY DEVELOPMENT AGENCY TRANSPORTATION DIVISION	BLAIR ROAD AT EID CANAL BRIDGE REPLACEMENT	SHEET L-2 6 OF 18 W.O. No. 77119
---	--	------------------------------	---	---	---

ORIGINAL SCALE IS IN INCHES
 Drawing name: C:\Civil 3D Projects\77119 Blair Road Bridge\CADD Files\Sheets\L-Sheets.dwg Layout Tab: L-3 May 24, 2016 - 8:34am smcvey
 FOR REDUCED PLANS
 2
 1
 0

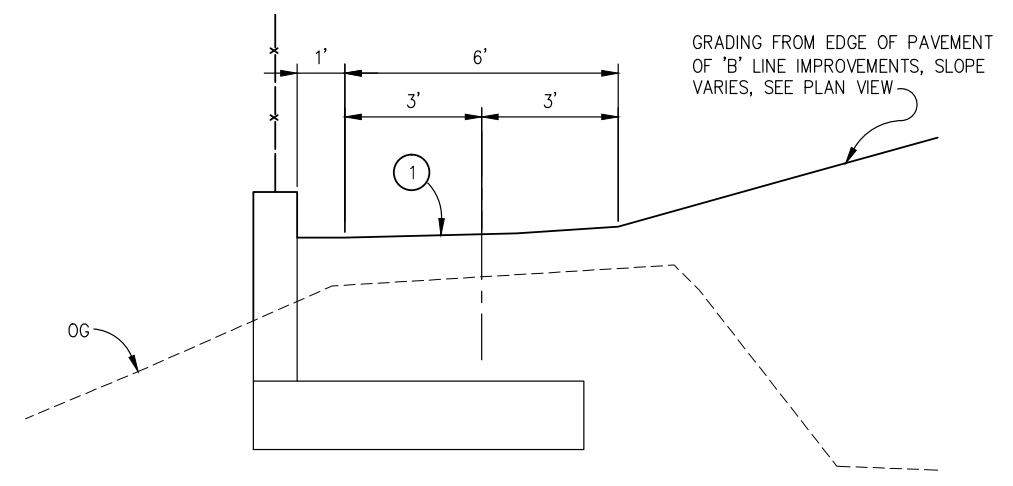


EID TRAIL ACCESS - PLAN
SCALE: 1"=5'

CONSTRUCTION NOTES: (THIS SHEET ONLY)
 ① — NATIVE MATERIAL AT 95% RELATIVE COMPACTION



EID TRAIL ACCESS - PROFILE
SCALE: 1"=5' H,V



SECTION A-A
SCALE: 1"=5'

PRELIMINARY

REVISION	NUMBER	DATE	DESCRIPTION	BY

PREPARED UNDER THE SUPERVISION OF:

 REGISTERED CIVIL ENGINEER
 DATE: _____

DESIGNED: FWW
 CHECKED: CG
 ROAD NUMBER: 122
 DRAWN: SGM
 DATE: 05/24/16

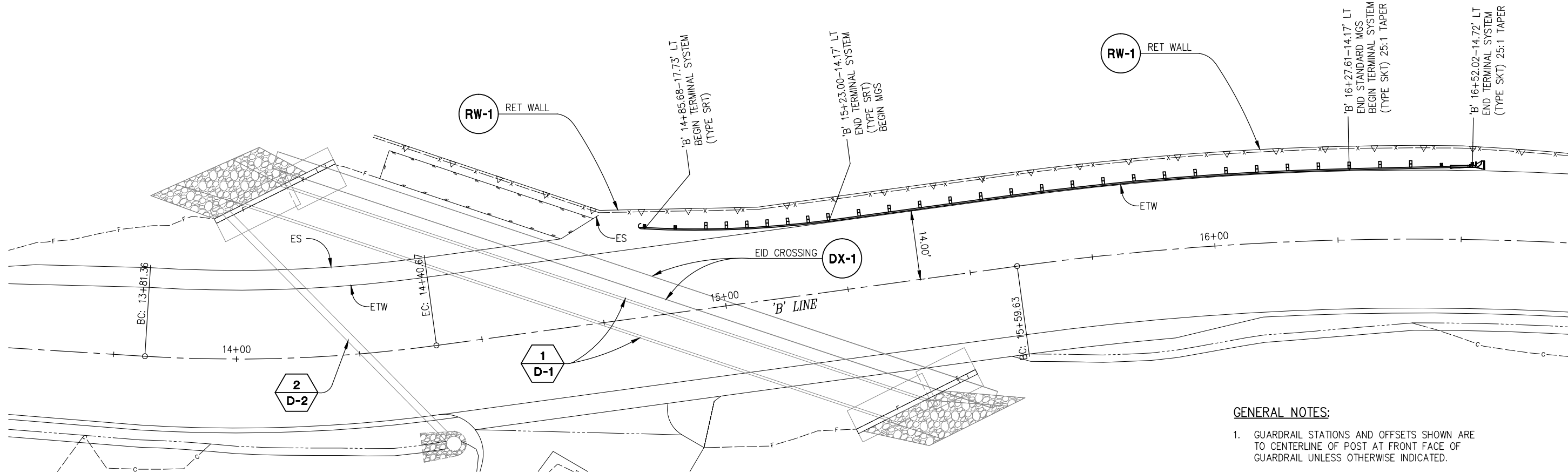


COUNTY OF EL DORADO
COMMUNITY DEVELOPMENT AGENCY
TRANSPORTATION DIVISION

BLAIR ROAD AT EID CANAL
BRIDGE REPLACEMENT

LAYOUT
 SCALE : AS SHOWN
 SHEET
L-3
 7 OF 18
 W.O. No. **77119**

ORIGINAL SCALE IS IN INCHES
 Drawing name: C:\Civil 3D Projects\77119 Blair Road Bridge\CADD Files\Sheets\C-Sheets.dwg Layout Tab: C-1 May 24, 2016 - 8:42am smcvey
 FOR REDUCED PLANS

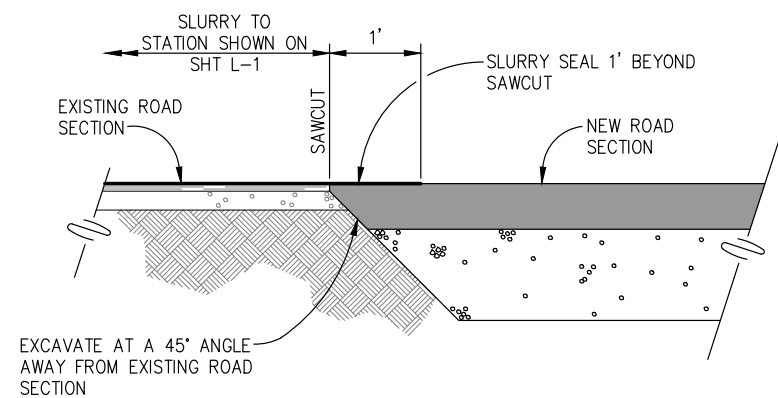


GUARDRAIL AND FENCE LAYOUT

SCALE: 1"=10'

GENERAL NOTES:

1. GUARDRAIL STATIONS AND OFFSETS SHOWN ARE TO CENTERLINE OF POST AT FRONT FACE OF GUARDRAIL UNLESS OTHERWISE INDICATED.



1 ROADWAY CONFORM
NTS

PRELIMINARY

CONSTRUCTION DETAILS
SCALE : AS SHOWN

REVISION	NUMBER	DATE	DESCRIPTION	BY

PREPARED UNDER THE SUPERVISION OF :

REGISTERED CIVIL ENGINEER
DATE: _____

DESIGNED: FWW
DRAWN: SGM
CHECKED: CG
DATE: 05/24/16
ROAD NUMBER: 122

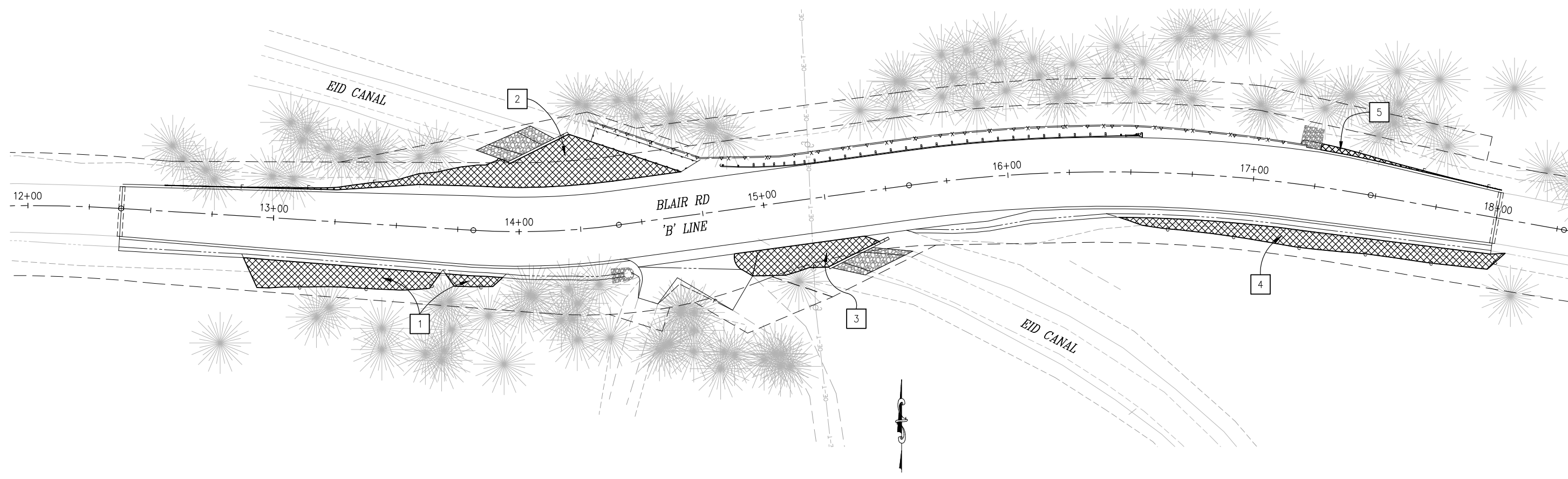


COUNTY OF EL DORADO
COMMUNITY DEVELOPMENT AGENCY
TRANSPORTATION DIVISION

BLAIR ROAD AT EID CANAL
BRIDGE REPLACEMENT

SHEET
C-1
8 OF 18
W.O. No. **77119**

ORIGINAL SCALE IS IN INCHES
 Drawing name: C:\Civil_3D\Projects\77119 Blair Road Bridge\CADD Files\Sheets\EC-1.dwg Layout Tab: EC-1 May 24, 2016 -- 8:45am smcvey
 FOR REDUCED PLANS
 REVISION
 NUMBER DATE DESCRIPTION BY



EROSION CONTROL				
EROSION CONTROL LOCATION NUMBER	DESCRIPTION	ROLLED EROSION CONTROL PRODUCT (BLANKET)	HYDROSEED	HYDROMULCH
		SQFT	SQFT	SQFT
1	EC TYPE A	773	773	773
2	EC TYPE A	1,235	1,235	1,235
3	EC TYPE A	508	508	508
4	EC TYPE A	878	878	878
5	EC TYPE A	68	68	68
TOTAL		3,565	3,565	3,565

PRELIMINARY

EROSION CONTROL
SCALE : 1" = 20'

NUMBER	DATE	DESCRIPTION	BY

PREPARED UNDER THE SUPERVISION OF :

REGISTERED CIVIL ENGINEER

DATE: _____

DESIGNED: FWW DRAWN: SGM

CHECKED: FWW DATE: 05/24/16

ROAD NUMBER: 122

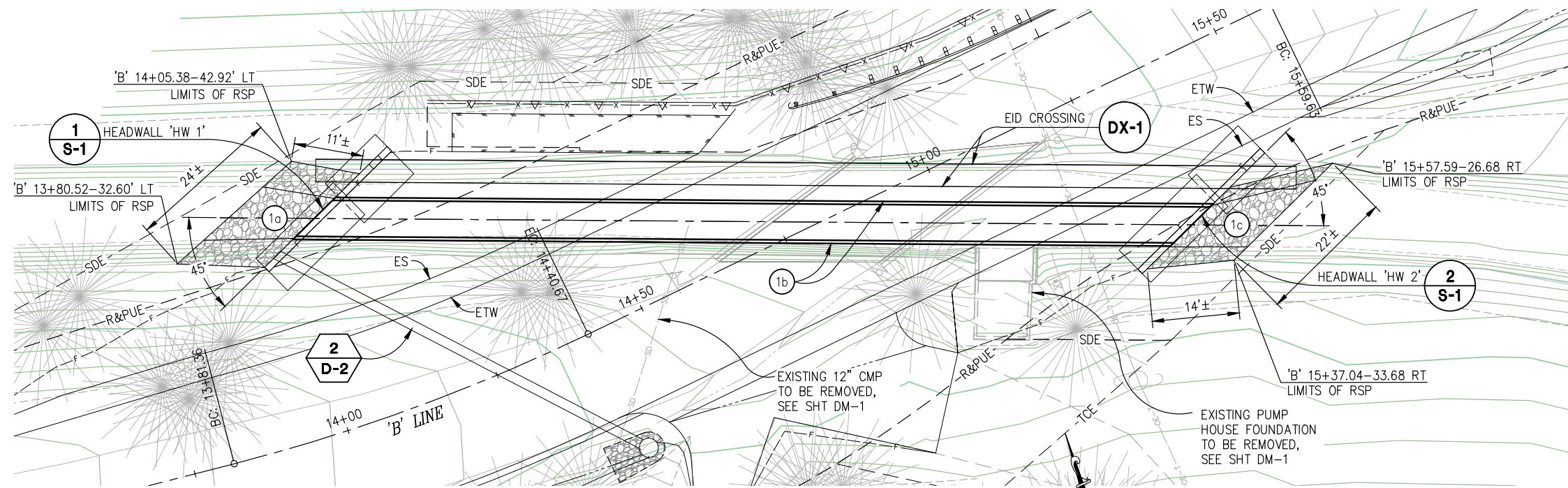


COUNTY OF EL DORADO
COMMUNITY DEVELOPMENT AGENCY
TRANSPORTATION DIVISION

BLAIR ROAD AT EID CANAL
BRIDGE REPLACEMENT

SHEET
EC-1
9 OF 18
W.O. No. **77119**

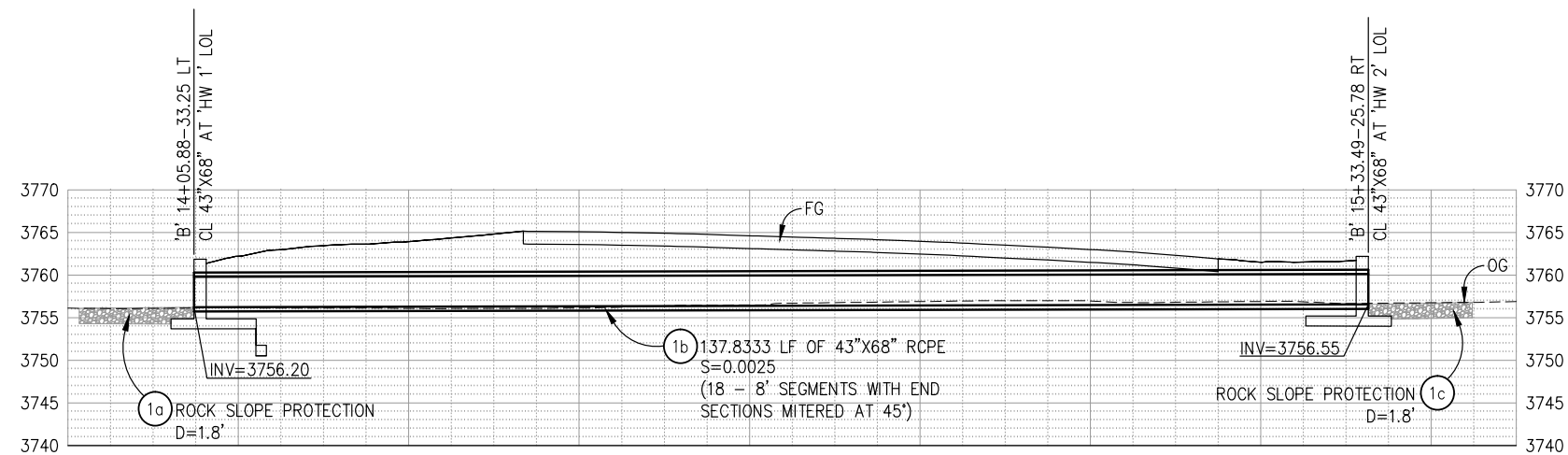
ORIGINAL SCALE IS IN INCHES
 Drawing name: C:\Civil 3D Projects\77119 Blair Road Bridge\CADD Files\Sheets\D-Sheets.dwg Layout Tab: D-1 May 25, 2016 - 6:05am smcvey
 FOR REDUCED PLANS
 REVISION
 NUMBER DATE DESCRIPTION BY



PLAN - SD SYSTEM 1
SCALE: 1"=10'

NOTES:

1. CONTRACTOR SHALL POT HOLE TO VERIFY HORIZONTAL AND VERTICAL LOCATION OF ALL UTILITIES PRIOR TO CONSTRUCTION OF STORM DRAINAGE SYSTEMS.
2. REFER TO SHT DX-1 FRO TRENCH BACKFILL DETAIL



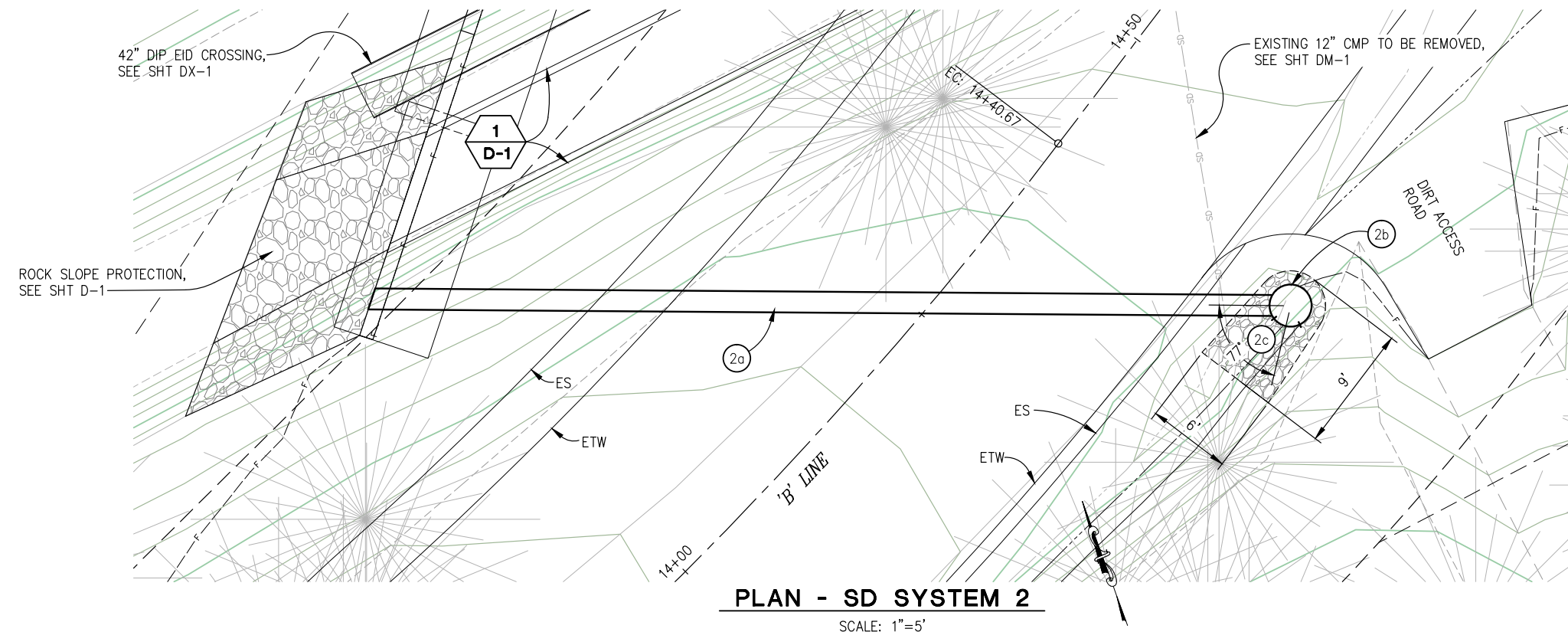
PROFILE - SD SYSTEM 1
SCALE: 1"=10' H,V

PRELIMINARY

**DRAINAGE LAYOUT
SCALE : AS SHOWN**

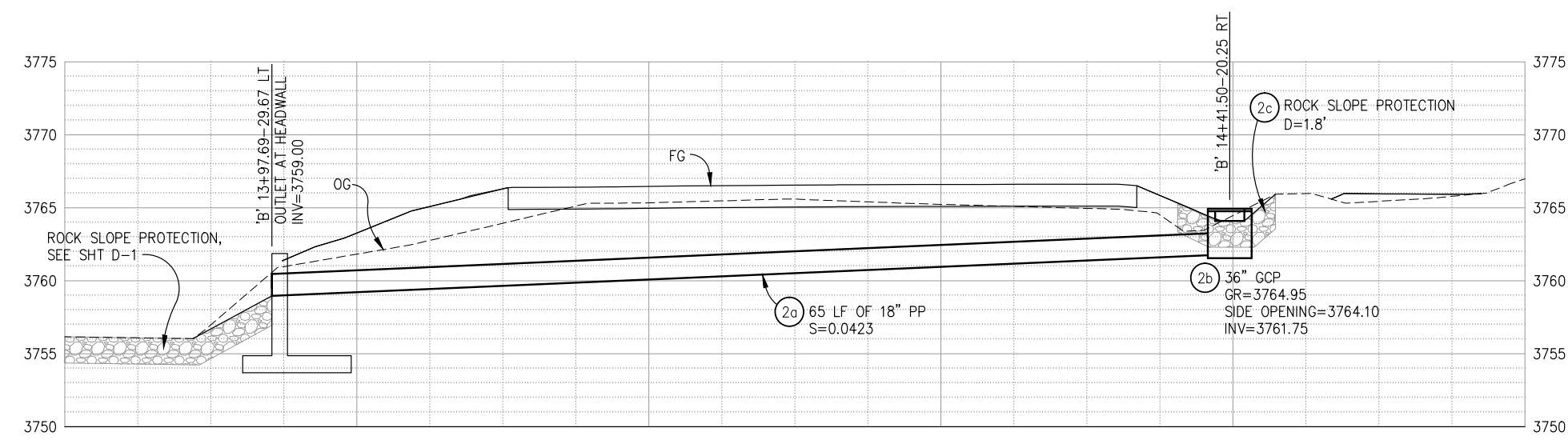
PREPARED UNDER THE SUPERVISION OF : REGISTERED CIVIL ENGINEER DATE:		DESIGNED: FWW CHECKED: CG ROAD NUMBER: 122	DRAWN: SGM DATE: 05/24/16	<p> COUNTY OF EL DORADO COMMUNITY DEVELOPMENT AGENCY TRANSPORTATION DIVISION </p>	<p> BLAIR ROAD AT EID CANAL BRIDGE REPLACEMENT </p>	SHEET D-1 10 OF 18 W.O. No. 77119

ORIGINAL SCALE IS IN INCHES
 Drawing name: C:\Civil 3D Projects\77119 Blair Road Bridge\CADD Files\Sheets\D-Sheets.dwg Layout Tab: D-2 May 25, 2016 - 9:52am smcvey
 FOR REDUCED PLANS
 REVISION
 NUMBER DATE DESCRIPTION BY

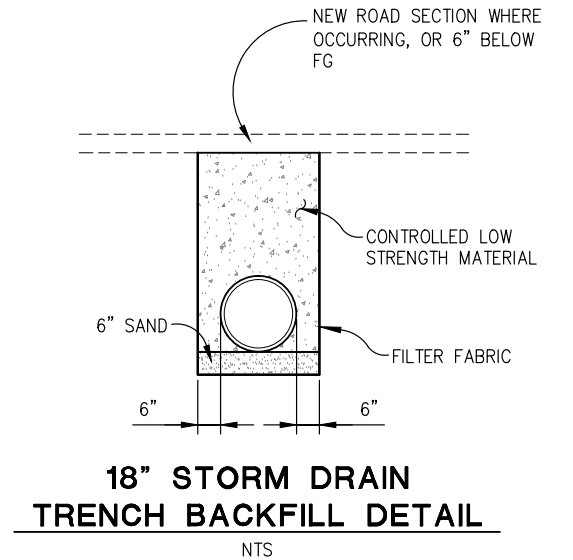


PLAN - SD SYSTEM 2
SCALE: 1"=5'

NOTES:
 1. CONTRACTOR SHALL POTHOLE TO VERIFY HORIZONTAL AND VERTICAL LOCATION OF ALL UTILITIES PRIOR TO CONSTRUCTION OF STORM DRAINAGE SYSTEMS.



PROFILE - SD SYSTEM 2
SCALE: 1"=5' H,V



PRELIMINARY

**DRAINAGE LAYOUT
SCALE : AS SHOWN**

PREPARED UNDER THE SUPERVISION OF :	DESIGNED: FWW	DRAWN: SGM
REGISTERED CIVIL ENGINEER	CHECKED: CG	DATE: 05/24/16
DATE:	ROAD NUMBER: 122	



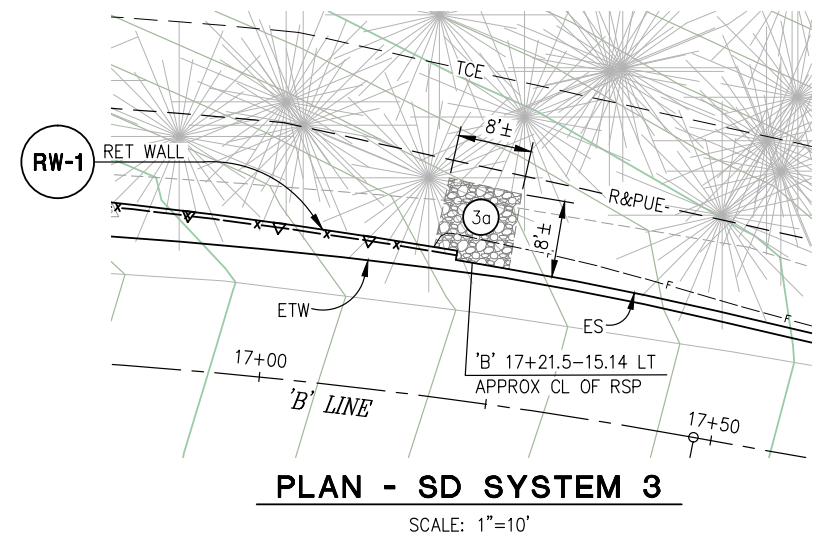
**COUNTY OF EL DORADO
COMMUNITY DEVELOPMENT AGENCY
TRANSPORTATION DIVISION**

**BLAIR ROAD AT EID CANAL
BRIDGE REPLACEMENT**

SHEET	11 OF 18
W.O. No.	77119

ORIGINAL SCALE IS IN INCHES
 Drawing name: C:\Civil 3D Projects\77119 Blair Road Bridge\CADD Files\Sheets\D-Sheets.dwg Layout Tab: D-3 May 25, 2016 - 9:54am smcvey
 FOR REDUCED PLANS
 REVISION
 NUMBER DATE DESCRIPTION BY

DRAINAGE PLAN SHEET NO.	DRAINAGE SYSTEM NO.	DRAINAGE UNIT	36" GCP INLET	H INLET DEPTH [N]	43" X 66" RCPE	18" PLASTIC PIPE	RSP (FACING METHOD B)	RSP FABRIC	DESCRIPTION	STATION	DRAINAGE UNIT	DRAINAGE SYSTEM NO.	DRAINAGE PLAN SHEET NO.	
D-1	1	EA	FT	FT	FT	FT3	SY							
		a				376	38					a	1	D-1
		b		144					S=0.0025		b			
c				311	34				c					
D-2	2	a			65				S=0.0423		a	2	D-2	
		b	1	3.2						'B' 14+41.50-20.25 RT	b			
		c				97	12				c			
D-3	3					115	14		PLACED AT END OF RETAINING WALL, D=1.8'	'B' 17+21.5-15.14 LT	3	D-3		
TOTAL		1		144	65	899	98							



- NOTES:**
- CONTRACTOR SHALL POTHOLE TO VERIFY HORIZONTAL AND VERTICAL LOCATION OF ALL UTILITIES PRIOR TO CONSTRUCTION OF STORM DRAINAGE SYSTEMS.
 - [N] NOT A SEPARATE PAY ITEM, FOR INFORMATION ONLY.

PRELIMINARY

**DRAINAGE QUANTITIES
SCALE : AS SHOWN**

NUMBER	DATE	DESCRIPTION	BY

PREPARED UNDER THE SUPERVISION OF :

REGISTERED CIVIL ENGINEER

DATE: _____

DESIGNED: FWW DRAWN: SGM

CHECKED: CG DATE: 05/24/16

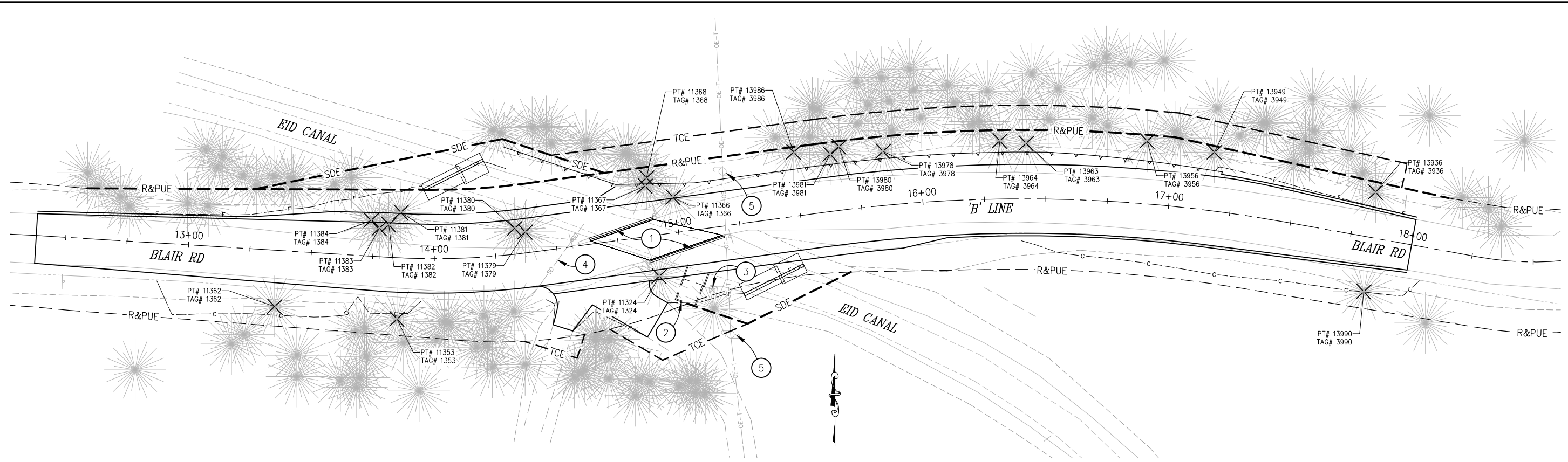
ROAD NUMBER: 122

**COUNTY OF EL DORADO
COMMUNITY DEVELOPMENT AGENCY
TRANSPORTATION DIVISION**

**BLAIR ROAD AT EID CANAL
BRIDGE REPLACEMENT**

SHEET D-3
12 OF 18
W.O. No. 77119

ORIGINAL SCALE IS IN INCHES
 Drawing name: C:\Civil_3D\Projects\77119 Blair Road Bridge\CADD\Files\Sheets\DM-1.dwg Layout Tab: DM-1 May 24, 2016 11:34am smcvey
 FOR REDUCED PLANS
 REVISION
 NUMBER DATE DESCRIPTION BY



TREE REMOVAL TABLE

POINT NUMBER	TAG NUMBER	STATION	OFFSET	DESCRIPTION
11324	1324	'B' 14+89.79	16.70' RT	CEDAR
11353	1353	'B' 13+86.04	24.90' RT	FIR
11362	1362	'B' 13+36.43	22.86' RT	CEDAR
11366	1366	'B' 14+99.67	14.38' LT	CEDAR
11367	1367	'B' 14+89.02	20.48' LT	OAK
11368	1368	'B' 14+90.03	23.71' LT	CEDAR
11379	1379	'B' 14+38.17	8.54' LT	CEDAR
11380	1380	'B' 14+33.91	10.49' LT	CEDAR
11381	1381	'B' 13+85.56	18.52' LT	FIR (DEAD)
11382	1382	'B' 13+80.70	13.21' LT	CEDAR
11383	1383	'B' 13+77.02	11.57' LT	CEDAR
11384	1384	'B' 13+73.41	14.48' LT	FIR
13936	3936	'B' 17+81.83	18.49' LT	FIR
13949	3949	'B' 17+15.73	23.74' LT	FIR
13956	3956	'B' 16+89.17	25.48' LT	CEDAR
13963	3963	'B' 16+41.97	22.51' LT	CEDAR
13964	3964	'B' 16+31.66	23.61' LT	CEDAR
13978	3978	'B' 15+85.78	21.93' LT	FIR
13980	3980	'B' 15+68.83	25.63' LT	CEDAR
13981	3981	'B' 15+65.10	23.08' LT	CEDAR
13986	3986	'B' 15+50.71	25.90' LT	CEDAR
13990	3990	'B' 17+84.28	22.18' RT	FIR (FORKED)

CONSTRUCTION NOTES:

- ① — REMOVE BRIDGE, ABUTMENTS, FOOTINGS, RAIL, AND ALL APPURTENANCES; BACKFILL WITH NATIVE AT 95% RELATIVE COMPACTION
- ② — REMOVE PUMP HOUSE FOUNDATION (ALL CONCRETE), AND APPURTENANCES; BACKFILL WITH NATIVE AT 95% RELATIVE COMPACTION
- ③ — REMOVE ABANDONED WATER VALVE, CONCRETE PAD, AND APPURTENANCES; BACKFILL WITH NATIVE AT 95% RELATIVE COMPACTION
- ④ — REMOVE 12" CMP (±36 LF), BACKFILL WITH NATIVE AT 95% RELATIVE COMPACTION
- ⑤ — UTILITY POLE TO REMAIN, PROTECT IN PLACE

PRELIMINARY

DEMOLITION PLAN
SCALE : 1" = 20'

NUMBER	DATE	DESCRIPTION	BY

PREPARED UNDER THE SUPERVISION OF :

 REGISTERED CIVIL ENGINEER
 DATE: _____

DESIGNED: FWW
 CHECKED: CG
 ROAD NUMBER: 122

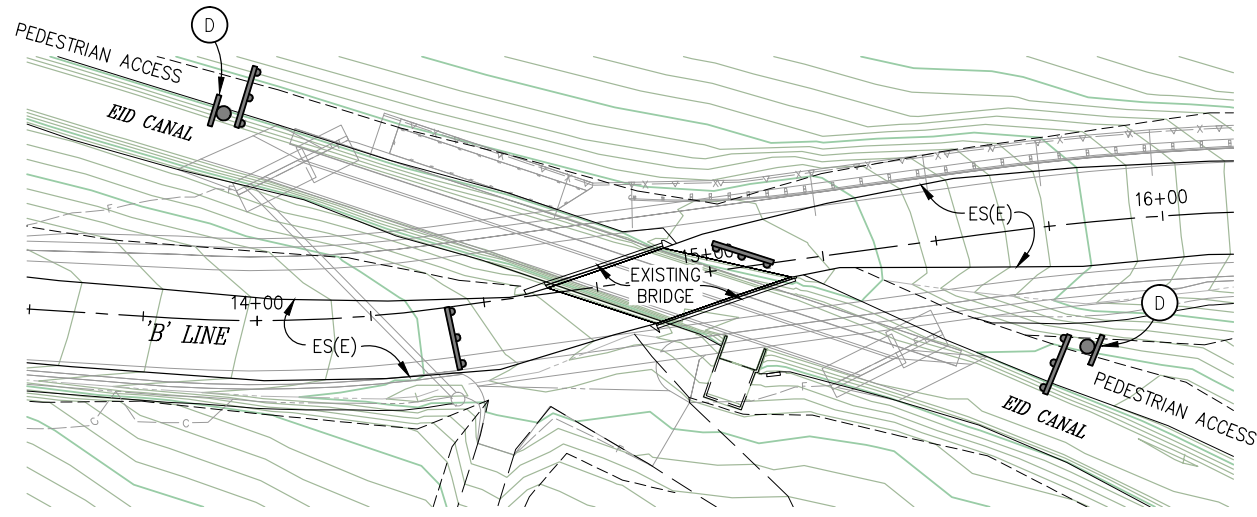


COUNTY OF EL DORADO
COMMUNITY DEVELOPMENT AGENCY
TRANSPORTATION DIVISION

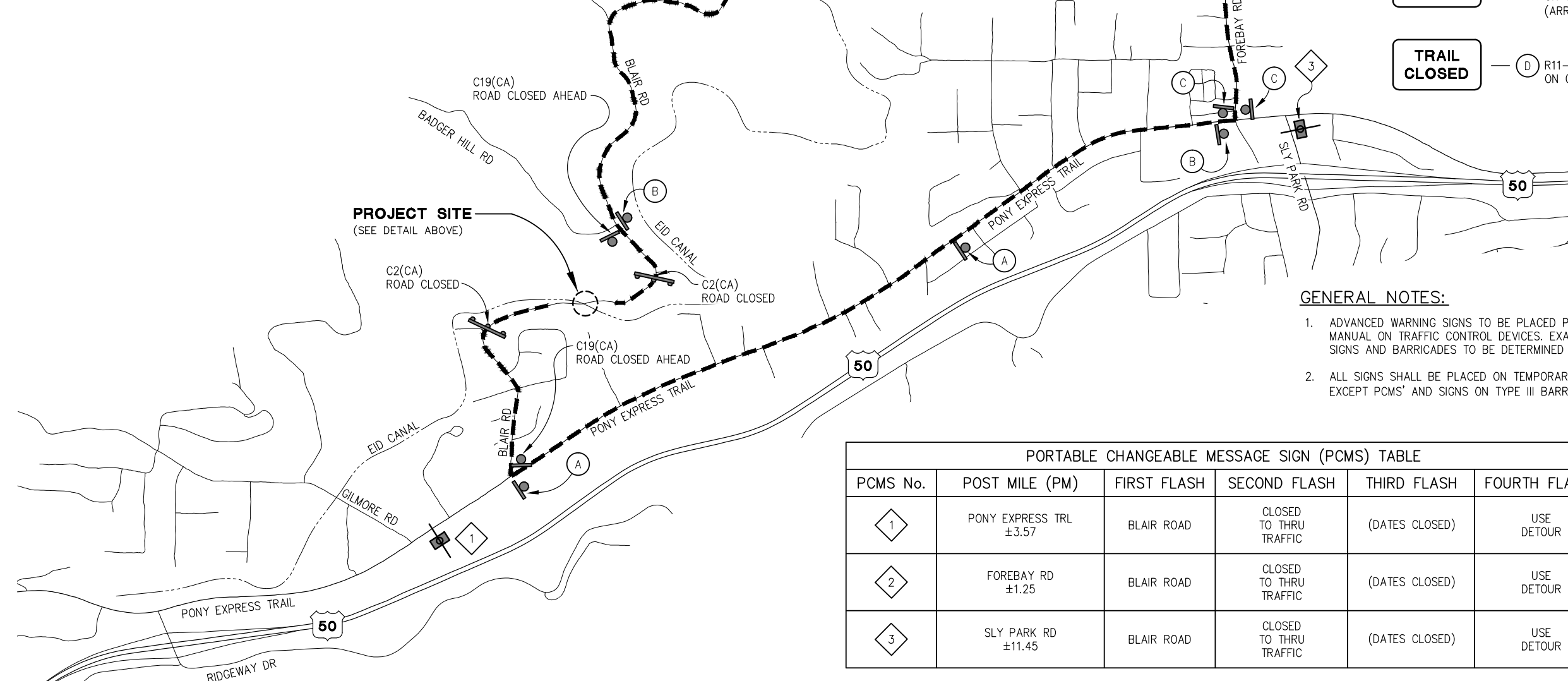
BLAIR ROAD AT EID CANAL
BRIDGE REPLACEMENT

SHEET
DM-1
 13 OF 18
 W.O. No. **77119**

ORIGINAL SCALE IS IN INCHES
 Drawing name: C:\Civil 3D Projects\77119 Blair Road Bridge\CADD Files\Sheets\DE-Sheet.dwg Layout Tab: DE-1 May 24, 2016 11:36am smcvey
 FOR REDUCED PLANS
 REVISION
 NUMBER DATE DESCRIPTION BY



PROJECT SITE
NTS
(PROPOSED IMPROVEMENTS GRAYED OUT)



PROJECT SITE
(SEE DETAIL ABOVE)

- LEGEND**
- PCMS - PORTABLE CHANGEABLE MESSAGE SIGN
 - TEMPORARY SIGN
 - TYPE III BARRICADE(S) w/ FLASHING BEACON
 - BLAIR ROAD DETOUR** (Up arrow) (A) M4-9 SIGN, BLACK LETTERING ON ORANGE BACKGROUND (ARROW FACING UP)
 - BLAIR ROAD DETOUR** (Left arrow) (B) M4-9 SIGN, BLACK LETTERING ON ORANGE BACKGROUND (ARROW FACING LEFT)
 - BLAIR ROAD DETOUR** (Right arrow) (C) M4-9 SIGN, BLACK LETTERING ON ORANGE BACKGROUND (ARROW FACING RIGHT)
 - TRAIL CLOSED** (D) R11-2 SIGN, BLACK LETTERING ON ORANGE BACKGROUND

- GENERAL NOTES:**
- ADVANCED WARNING SIGNS TO BE PLACED PER CALIFORNIA MANUAL ON TRAFFIC CONTROL DEVICES. EXACT LOCATION OF SIGNS AND BARRICADES TO BE DETERMINED BY THE ENGINEER.
 - ALL SIGNS SHALL BE PLACED ON TEMPORARY WOOD POSTS, EXCEPT PCMS' AND SIGNS ON TYPE III BARRICADES.

PORTABLE CHANGEABLE MESSAGE SIGN (PCMS) TABLE					
PCMS No.	POST MILE (PM)	FIRST FLASH	SECOND FLASH	THIRD FLASH	FOURTH FLASH
1	PONY EXPRESS TRL ±3.57	BLAIR ROAD	CLOSED TO THRU TRAFFIC	(DATES CLOSED)	USE DETOUR
2	FOREBAY RD ±1.25	BLAIR ROAD	CLOSED TO THRU TRAFFIC	(DATES CLOSED)	USE DETOUR
3	SLY PARK RD ±11.45	BLAIR ROAD	CLOSED TO THRU TRAFFIC	(DATES CLOSED)	USE DETOUR

PRELIMINARY

DETOUR PLAN
SCALE : 1" = 600'

NUMBER	DATE	DESCRIPTION	BY

PREPARED UNDER THE SUPERVISION OF :

DESIGNED: FWW DRAWN: SGM
 CHECKED: CG DATE: 05/24/16
 ROAD NUMBER: 122

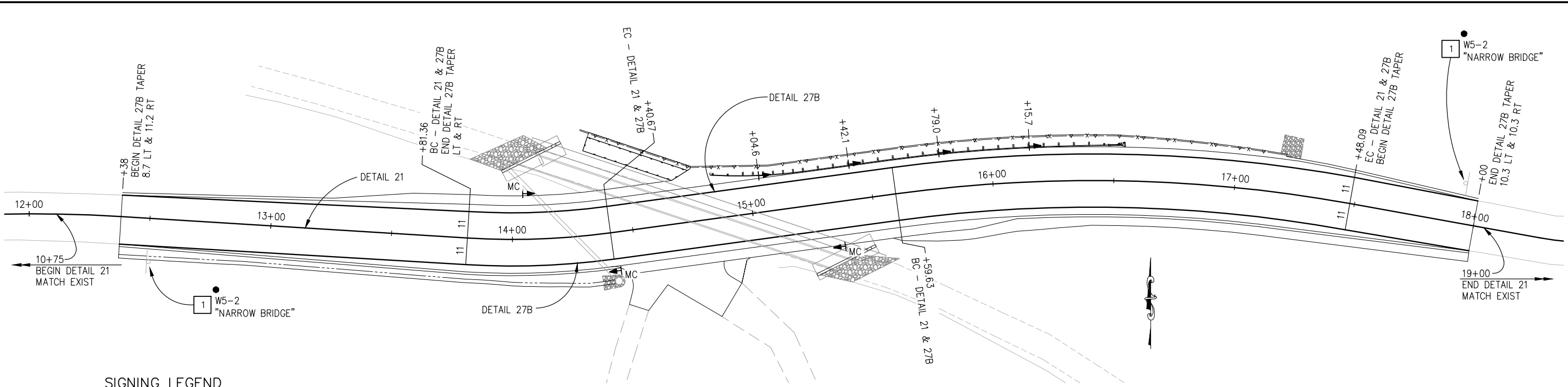
REGISTERED CIVIL ENGINEER DATE:

COUNTY OF EL DORADO
COMMUNITY DEVELOPMENT AGENCY
TRANSPORTATION DIVISION

BLAIR ROAD AT EID CANAL
BRIDGE REPLACEMENT

SHEET
DE-1
 14 OF 18
 W.O. No. **77119**

ORIGINAL SCALE IS IN INCHES
 Drawing name: C:\Civil 3D Projects\77119 Blair Road Bridge\CADD Files\Sheets\SPD-Sheets.dwg Layout Tab: SPD-1 May 24, 2016 - 11:39am smcvey
 FOR REDUCED PLANS
 REVISION



SIGNING LEGEND

- XX - SIGN NUMBER
- - EXIST SIGN
- ▶ - PROPOSED MARKER/DELINEATOR
MC = MARKER CULVERT, SEE DETAIL 1, THIS SHEET
- - REMOVE AND SALVAGE ROADSIDE SIGN

GENERAL NOTES

- THIS PLAN IS ACCURATE FOR FINAL SIGNING AND PAVEMENT DELINEATION ONLY.
- ALL STRIPING SHALL BE PAINT.
- VERIFY HORIZONTAL AND VERTICAL LOCATION OF EXISTING UTILITIES PRIOR TO MARKER/DELINEATOR INSTALLATION.
- ALL CULVERT MARKERS SHALL BE PLACED PER "MARKER (CULVERT)" DETAIL 1, THIS SHEET.
- ALL GUARDRAIL DELINEATORS SHALL BE PLACED PER CHAPTER 3F OF THE CALIFORNIA MUTCD.
- ALL EXISTING MARKERS WITHIN THE CONSTRUCTION AREA SHALL BE REMOVED, SALVAGED AND RETURNED TO EL DORADO COUNTY TRANSPORTATION DIVISION.

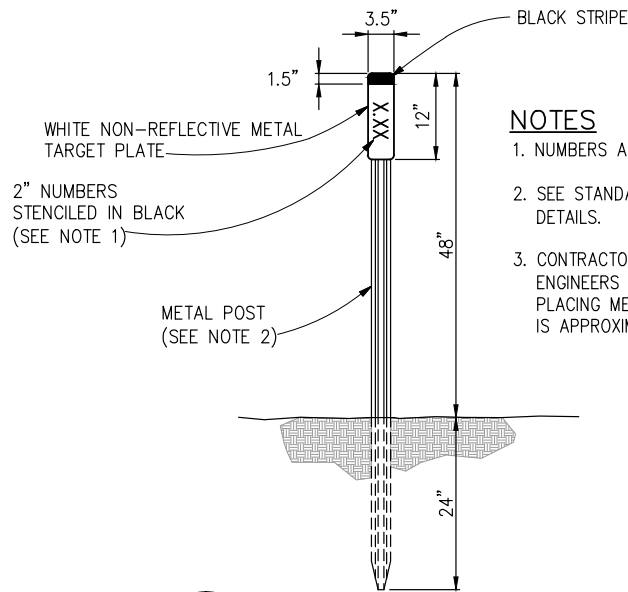
MARKER (CULVERT)			
NUMERAL ON TARGET ON PLATE	FACING TRAFFIC		LOCATION
	E	W	
0.50	1		'B' 14+04 LT
0.51		1	'B' 14+43 RT
0.52		1	'B' 15+36 RT
SUBTOTAL	1	2	
TOTAL	3		

DELINEATORS	
LOCATION	TYPE E CLASS 1
'B' 15+04.6 LT	1
'B' 15+42.1 LT	1
'B' 15+79.0 LT	1
'B' 16+15.7 LT	1
TOTAL	4

PAINT STRIPING & PAVEMENT MARKERS							
STANDARD PLAN NO.	FROM	TO	PAINT		PAVEMENT MARKER (RETROREFLECTIVE)		REMARKS
			WHITE FT	YELLOW FT	TYPE D EA	TYPE G EA	
DETAIL 21	'B' 10+75	'B' 19+00		825			
DETAIL 27B	'B' 12+38 LT	'B' 18+00 LT	564				
	'B' 12+38 RT	'B' 18+00 RT	561				
SUBTOTAL			1,125	825			
TOTAL			1,950				

NOTES

- NUMBERS AS SHOWN IN MARKER TABLE, THIS SHEET.
- SEE STANDARD PLAN A73B FOR METAL POST DETAILS.
- CONTRACTOR SHALL FIELD VERIFY PM WITH ENGINEERS APPROVAL PRIOR TO ORDERING AND PLACING METAL TARGET PLATES. POST MILE IS APPROXIMATE ON THESE PLANS.



1 MARKER (CULVERT)
NTS

SIGN QUANTITIES

SIGN NO.	SIGN	CALIFORNIA MUTCD CODE	PANEL SIZE (INCHES)	SQUARE PERFORATED GALVANIZED STEEL POST (12 GA)	WOOD POST SIZE & LENGTH	ROADSIDE SIGNS			EXISTING LOCATION	PROPOSED LOCATION (APPROXIMATELY)	REMARKS
						ONE POST EA	RELOCATE EA	REMOVE EA			
1	ADVANCED WARNING "NARROW BRIDGE"	W5-2		2" X 2"	3.5" X 5.5"			2	'B' 12+49.70 RT 'B' 17+94.50 LT		
TOTAL								2			

PRELIMINARY

SIGNING AND PAVEMENT DELINEATION
SCALE : 1" = 20'

NUMBER	DATE	DESCRIPTION	BY

PREPARED UNDER THE SUPERVISION OF :
 REGISTERED CIVIL ENGINEER
 DATE: _____

DESIGNED: FWW
 DRAWN: SGM
 CHECKED: CG
 DATE: 05/24/16
 ROAD NUMBER: 122

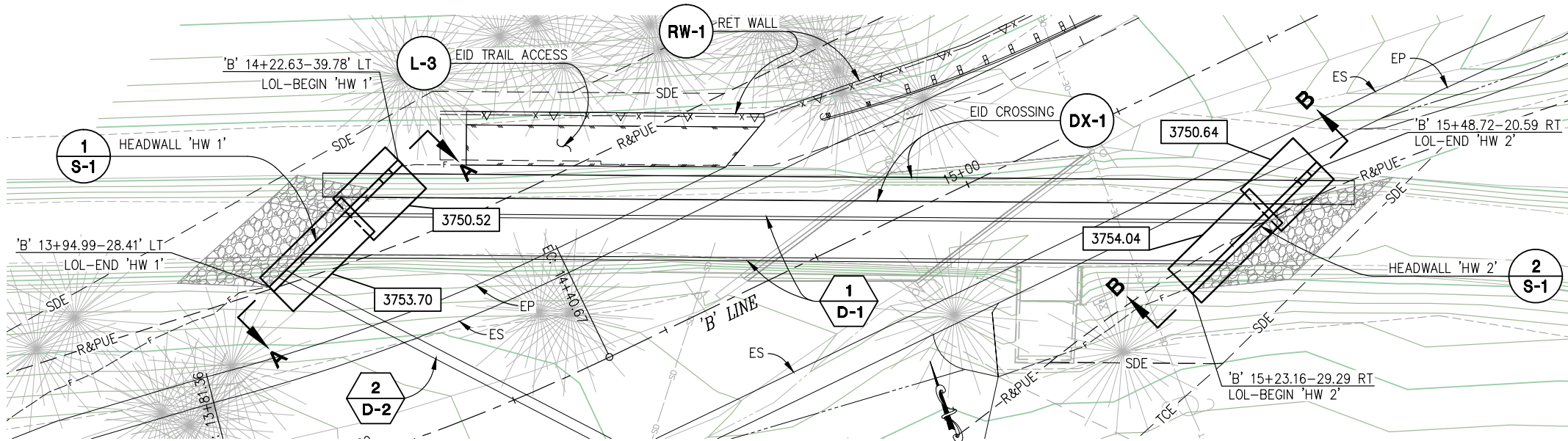


COUNTY OF EL DORADO
COMMUNITY DEVELOPMENT AGENCY
TRANSPORTATION DIVISION

BLAIR ROAD AT EID CANAL
BRIDGE REPLACEMENT

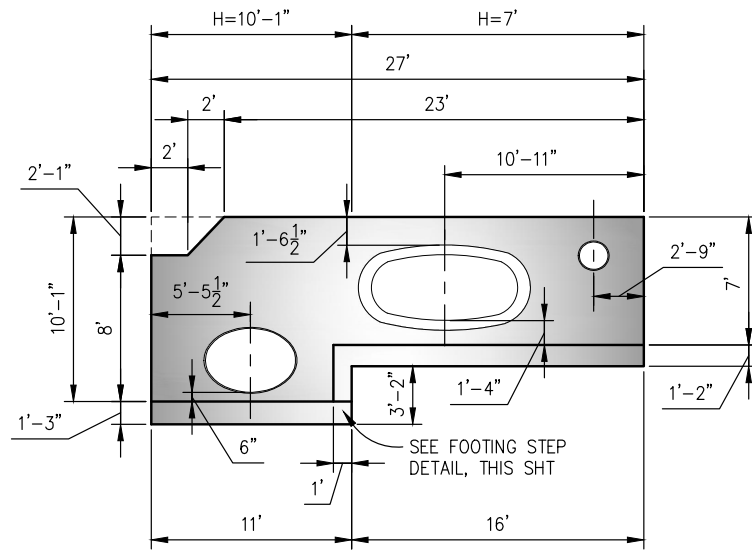
SHEET
SPD-1
 15 OF 18
 W.O. No. **77119**

ORIGINAL SCALE IS IN INCHES
 Drawing name: C:\Civil_3D\Projects\77119 Blair Road Bridge\CADD\Files\Sheets\S-Sheets.dwg Layout Tab: S-1 May 24, 2016 - 11:42am smcvey
 FOR REDUCED PLANS
 REVISION
 NUMBER DATE DESCRIPTION BY



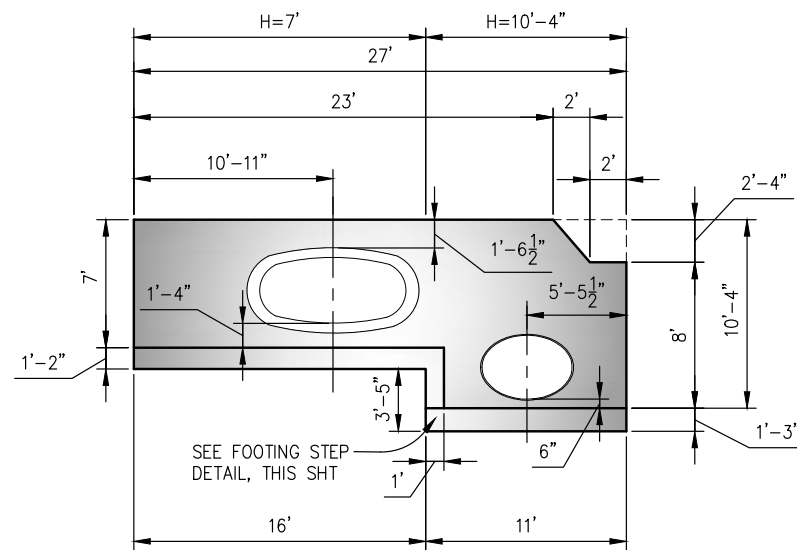
PLAN - HEADWALL 'HW 1' & 'HW 2'

SCALE: 1"=10'



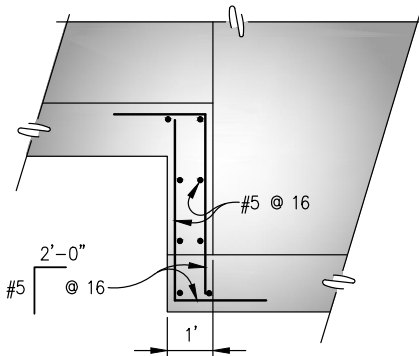
ELEVATION A-A HEADWALL 'HW 1'

SCALE: 1"=5' H,V



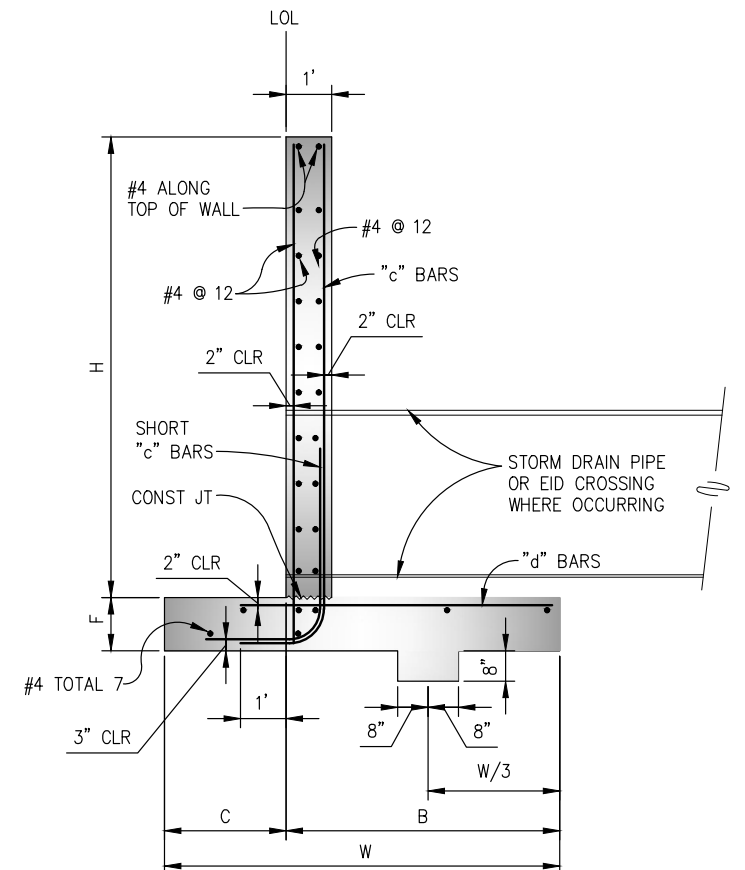
ELEVATION B-B HEADWALL 'HW 2'

SCALE: 1"=5' H,V



FOOTING STEP

NTS



TYPICAL HEADWALL SECTION

NTS

REINFORCED CONCRETE HEADWALLS			
"H"	7'	10'-1"	10'-4"
W	7'-1"	8'-8"	8'-8"
C	1'-11"	2'-8"	2'-8"
B	5'-2"	6'-0"	6'-0"
F	1'-2"	1'-3"	1'-3"
"c" BARS	#5 @ 9	#8 @ 9	#8 @ 9
"d" BARS	#6 @ 9	#7 @ 9	#7 @ 9

LEGEND:

XXXX.XX — BOTTOM OF FOOTING ELEVATION

GENERAL NOTES:

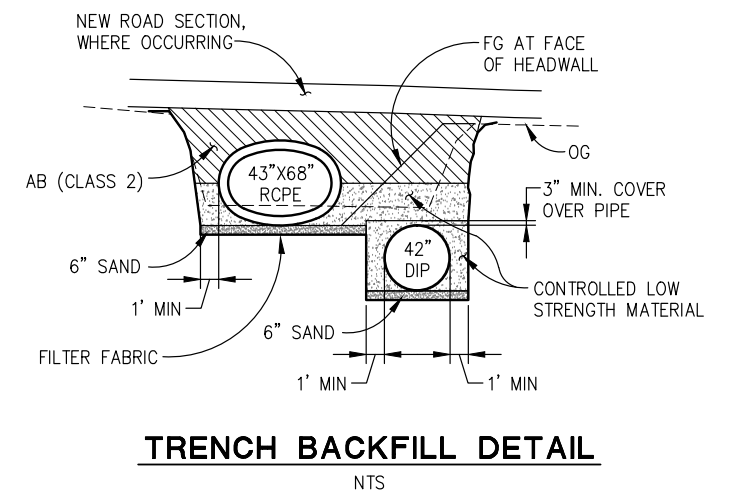
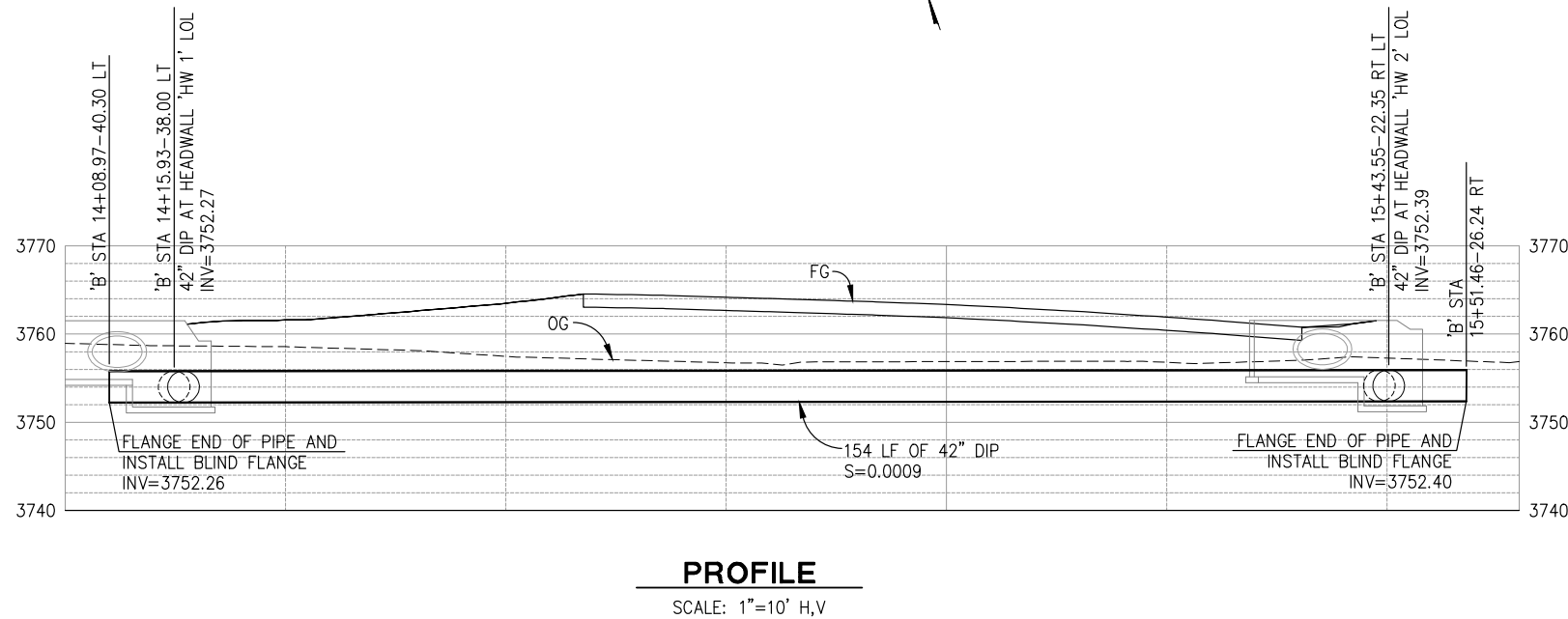
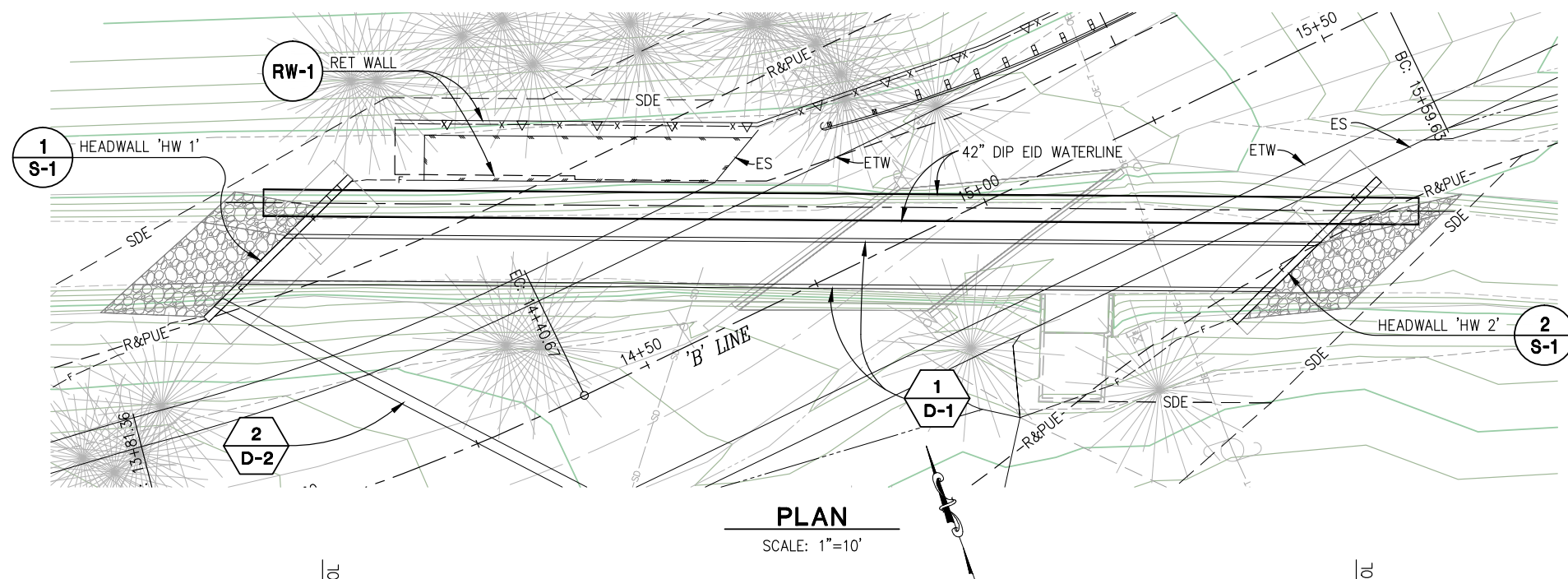
- DIMENSIONS SHOWN ARE ±, CONTRACTOR IS RESPONSIBLE FOR ENSURING THAT PIPES FIT THRU HEADWALLS

PRELIMINARY

STRUCTURAL DETAILS SCALE : AS SHOWN

PREPARED UNDER THE SUPERVISION OF: REGISTERED CIVIL ENGINEER DATE:	DESIGNED: FWW CHECKED: CG ROAD NUMBER: 122	DRAWN: SGM DATE: 04/24/16	<p>COUNTY OF EL DORADO COMMUNITY DEVELOPMENT AGENCY TRANSPORTATION DIVISION</p>	<p>BLAIR ROAD AT EID CANAL BRIDGE REPLACEMENT</p>	SHEET S-1 16 OF 18 W.O. No. 77119
	PREPARED UNDER THE SUPERVISION OF:				

ORIGINAL SCALE IS IN INCHES
 Drawing name: C:\Civil 3D Projects\77119 Blair Road Bridge\CADD Files\Sheets\W-Sheets.dwg Layout Tab: DX-1 May 24, 2016 - 11:50am smcvey
 FOR REDUCED PLANS
 REVISION
 NUMBER DATE DESCRIPTION BY



PRELIMINARY

**EID CROSSING
SCALE : AS SHOWN**

NUMBER	DATE	DESCRIPTION	BY

PREPARED UNDER THE SUPERVISION OF :
 REGISTERED CIVIL ENGINEER
 DATE:

DESIGNED: FWW
 CHECKED: CG
 ROAD NUMBER: 122
 DRAWN: SGM
 DATE: 05/24/16



**COUNTY OF EL DORADO
 COMMUNITY DEVELOPMENT AGENCY
 TRANSPORTATION DIVISION**

**BLAIR ROAD AT EID CANAL
 BRIDGE REPLACEMENT**

SHEET
DX-1
 17 OF 18
 W.O. No. **77119**

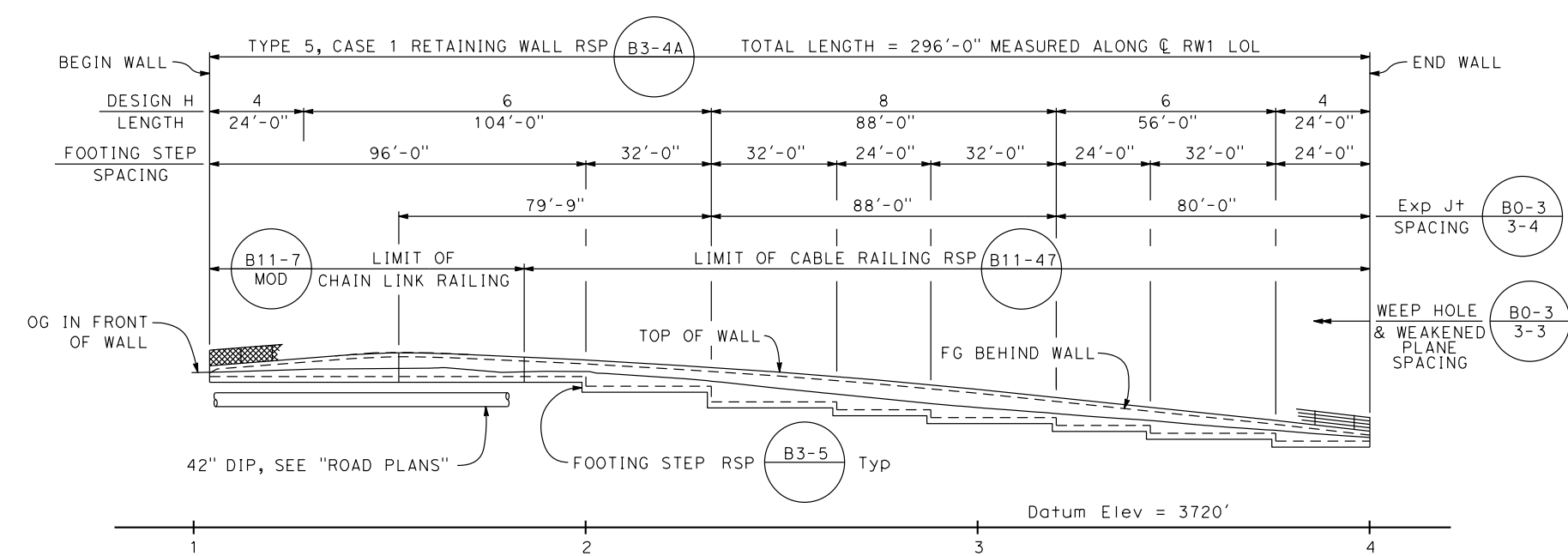
STANDARD PLANS DATED 2010

TOP OF WALL ELEVATIONS

Station	Elevation
1+04.08	3761.24'
1+46.76	3764.53'
1+60.82	3764.54'
2+00.00	3762.72'
2+25.00	3761.29'
2+50.00	3759.63'
2+75.00	3757.59'
3+00.00	3755.25'
3+25.00	3752.68'
3+50.00	3750.07'
3+75.00	3747.47'
4+00.08	3744.54'

Sheet No.	Title
A10A	ABBREVIATIONS (SHEET 1 OF 2)
RSP A10B	ABBREVIATIONS (SHEET 2 OF 2)
A10C	LINES AND SYMBOLS (SHEET 1 OF 3)
A10D	LINES AND SYMBOLS (SHEET 2 OF 3)
A10E	LINES AND SYMBOLS (SHEET 3 OF 3)
A62B	LIMITS OF PAYMENT FOR EXCAVATION AND BACKFILL BRIDGE SURCHARGE AND WALL
B0-3	BRIDGE DETAILS
RSP B3-4A	RETAINING WALL TYPE 5 (CASE 1)
RSP B3-5	RETAINING WALL DETAILS No. 1
B11-7	CHAIN LINK RAILING
RSP B11-47	CABLE RAILING

STANDARD PLAN SHEET No.
DETAIL No.

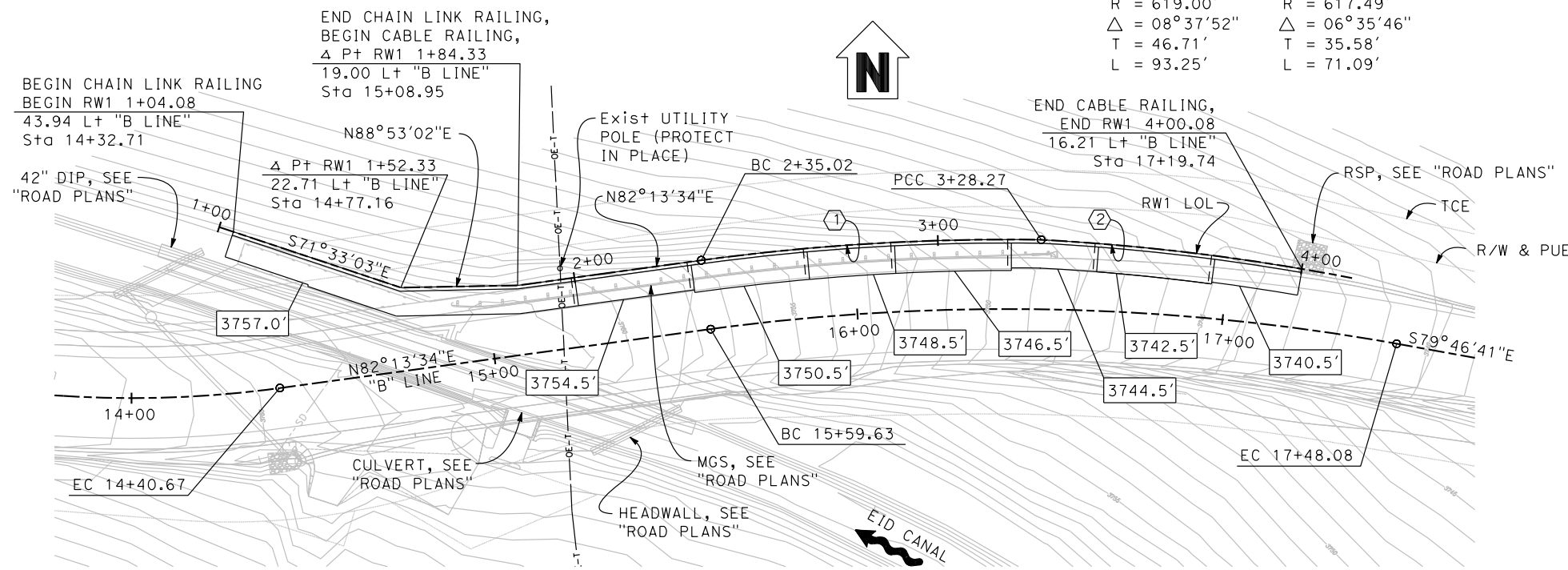


MIRROR DEVELOPED ELEVATION

1" = 20'-0"

CURVE DATA

①	②
R = 619.00'	R = 617.49'
Δ = 08°37'52"	Δ = 06°35'46"
T = 46.71'	T = 35.58'
L = 93.25'	L = 71.09'

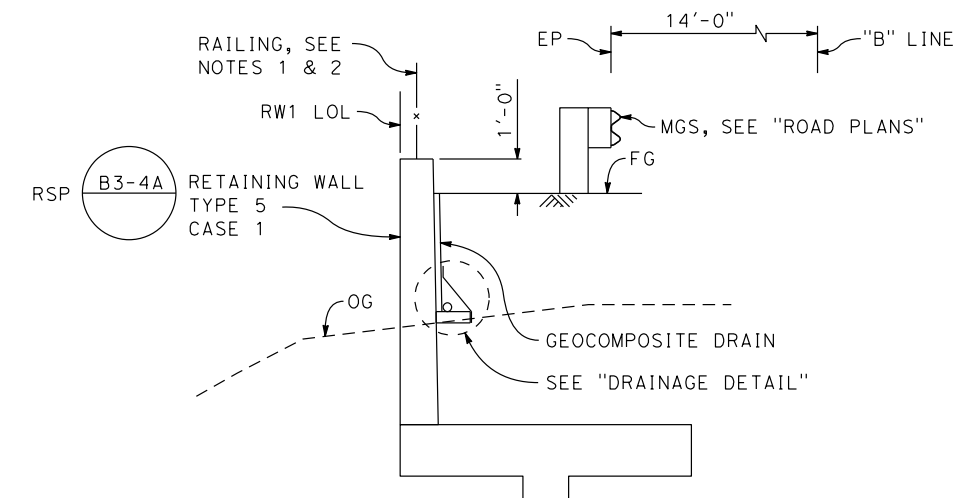


PLAN

1" = 20'-0"

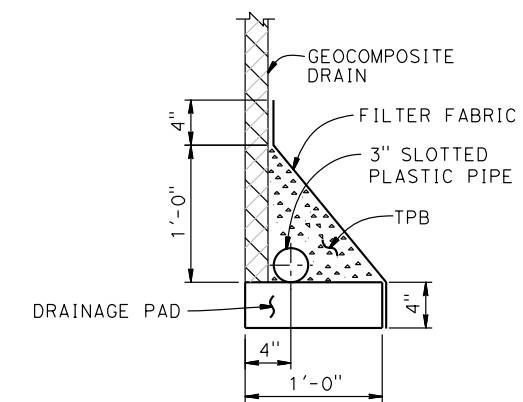
LEGEND:

Denotes bottom of footing elev



TYPICAL SECTION

3/8" = 1'-0"



DRAINAGE DETAIL

1/2" = 1'-0"

NOTES:

1. For chain link railing, pipe handrailing not required at railing height = 48"
2. For limits of chain link railing and cable railing, see "Mirrored Developed Elevation"
3. For details not shown, see

RSP B3-5

RETAINING WALL NO. 1
SCALE: AS SHOWN

ORIGINAL SCALE IS IN INCHES
Drawing name: j:\1970_Eldorado_Cty_On_Call\517\Work_Order_03_Blair_Road_RW\1970_GP.dgn

FOR REDUCED PLANS

REVISION	NUMBER	DATE	DESCRIPTION	BY



PREPARED UNDER THE SUPERVISION OF:
Mason Lee Hancock
REGISTERED CIVIL ENGINEER
DATE: 5/27/16

DESIGNED: MLH
DRAWN: RTL
CHECKED: ACP
DATE: 5/26/16
ROAD NUMBER: 122



COUNTY OF EL DORADO
COMMUNITY DEVELOPMENT AGENCY
TRANSPORTATION DIVISION

BLAIR ROAD AT EID CANAL
BRIDGE REPLACEMENT

SHEET
RW-1
18 OF 18
W.O. No. 77119