



COMMUNITY DEVELOPMENT SERVICES

DEPARTMENT OF TRANSPORTATION

<http://www.edcgov.us/DOT/>

PLACERVILLE OFFICES:

MAIN OFFICE:
 2850 Fairlane Court, Placerville, CA 95667
 (530) 621-5900 / (530) 626-0387 Fax

CONSTRUCTION & MAINTENANCE:
 2441 Headington Road, Placerville, CA 95667
 (530) 642-4909 / (530) 642-0508 Fax

LAKE TAHOE OFFICES:

ENGINEERING:
 924 B Emerald Bay Road, South Lake Tahoe, CA 96150
 (530) 573-7900 / (530) 541-7049 Fax

MAINTENANCE:
 1121 Shakori Drive, South Lake Tahoe, CA 96150
 (530) 573-3180 / (530) 577-8402 Fax

DATE: February 28, 2019

TO: All Prospective Bidders

SUBJECT: **Addendum No. 2**
Safety Countermeasures at Various Locations, Contract No. 3630, CIP No. 49320

Submit proposals for this work with the understanding and full consideration of this Addendum. The revisions declared in this Addendum are essential parts of the Contract.

ITEM NO.	LOCATION, PAGE, OR DRAWING NO.	DESCRIPTION OF CHANGE
1.01	Agreement- Bid Schedule	Bidders are instructed to replace pages C-11 through C-12 with the attached pages C-11 REV through C-12 REV
1.02	Agreement - Federal Wage Rates	Bidders are instructed to replace pages C-32 through C-54 with the attached pages C-32 REV through C-54 REV.
1.03	Proposal- Bid Schedule	Bidders are instructed to replace pages P-3 through P-4 with the attached pages P-3 REV through P-4 REV
1.04	SP-25	Bidders are instructed to add the following to Section 10 of the Special Provisions: <p style="text-align: center;">Add to section 10-1.02</p> <p>You will be allowed one (1) closure period, with a maximum duration of one (1) Sunday from 7 am till 5 pm. The closure will take place at Location 13: Serrano Parkway at El Dorado Boulevard. The limits for the closure work period extend eastbound Serrano Parkway from El Dorado Hills Blvd to Penela Way. The proposed detour route is as shown on ED-1.</p>
1.05	Attachment A	Bidders are instructed to add the attached Section 14-11.07 to the Special Provisions.
1.06	SP-40	Bidders are instructed to add the following to Section 84 of the Special Provisions:

ITEM NO.	LOCATION, PAGE, OR DRAWING NO.	DESCRIPTION OF CHANGE
		<p style="text-align: center;">Add to the end of Section 84-2.04</p> <p>Payment for installing pavement markers is included with the pay item for Thermoplastic Traffic Stripe, for which the pavement markers are needed.</p>
1.07	SP-40	<p>Bidders are instructed to replace the following in Section 84 of the Special Provisions:</p> <p style="text-align: center;">Replace Section 84-9.04 with:</p> <p>Payment for removal of existing white traffic stripes and pavement markings is included with the pay item for High Friction Surface Treatment (HFST) as discussed in Section 38-1.04 of these Special Provisions</p>
1.08	DE-1	Bidders are instructed to add the attached detour sheet DE-1 to the plans.

Indicate receipt of this Addendum by filling in the number of this Addendum in the space provided on the signature page of the Proposal. Holders who have already mailed their Proposal can contact Jennifer Rimoldi at 530-621-7592 (email: jennifer.rimoldi@edcgov.us) to arrange return of their Proposal. Inform all suppliers and subcontractors as necessary.

The Community Development Services, Department of Transportation is only sending this addendum by posting on QuestCDN's website at: <https://www.questcdn.com/>. If you are not a Contract Documents holder, but request a set of documents to bid on this Project, you must comply with the requirements of this Addendum when submitting your bid.



Recommended by:
John Kahling, Deputy Director,
Headington Engineering Unit

02/27/19
Date



Approved by:
Rafael Martinez, Director
Department of Transportation

2/27/19
Date

End of Addendum No. 2

EXHIBIT A
CONTRACTOR'S BID AND BID PRICE SCHEDULE
SAFETY COUNTERMEASURES AT VARIOUS LOCATIONS
CIP NO. 49320, Contract No. 3630

ITEM NO.	ITEM CODE	ITEM DESCRIPTION	UNIT OF MEASURE	ESTIMATED QUANTITY	UNIT PRICE (IN FIGURES)	ITEM TOTAL (IN FIGURES)
1	070030	LEAD COMPLIANCE PLAN	LS	1		
2	080050	PROGRESS SCHEDULE (CRITICAL PATH METHOD)	LS	1		
3	120090	CONSTRUCTION AREA SIGNS	LS	1		
4	120100	TRAFFIC CONTROL SYSTEM	LS	1		
5	120149A	TEMPORARY PAVEMENT DELINEATION	LS	1		
6	128651A	PORTABLE CHANGEABLE MESSAGE SIGN	SWD	125		
7	130100	JOB SITE MANAGEMENT	LS	1		
8	130200	PREPARE WATER POLLUTION CONTROL PROGRAM	LS	1		
9	141101A	REMOVE YELLOW TRAFFIC STRIPE (HAZARDOUS WASTE)	LF	14,082		
10	149001A	PREPARE FUGITIVE DUST PLAN	LS	1		
11	170103	CLEARING AND GRUBBING	LS	1		
12	380001A	HIGH-FRICTION SURFACE TREATMENT (HFST)	SY	38,040		
13	820134	OBJECT MARKER (TYPE P)	EA	2		

Safety Countermeasures at Various Locations
CIP No 49320, Contract No. 3630
February 5, 2019

County of El Dorado
Agreement
C-11 REV

14	8200250		REMOVE ROADSIDE SIGN	EA	5		
15	820610		RELOCATE ROADSIDE SIGN	EA	3		
16	820840		ROADSIDE SIGN – ONE POST	EA	72		
17	820900		INSTALL ROADSIDE SIGN PANEL ON EXISTING POST	EA	7		
18	840502A		4" THERMOPLASTIC TRAFFIC STRIPE (ENHANCED WET NIGHT VISIBILITY)	LF	37,018		
19	840502B		8" THERMOPLASTIC TRAFFIC STRIPE (ENHANCED WET NIGHT VISIBILITY)	LF	75		
20	840516		THERMOPLASTIC PAVEMENT MARKING (ENHANCED WET NIGHT VISIBILITY)	SQFT	60		
21	999990		MOBILIZATION	LS	1		
						Total Bid:	

(F) Final Pay Quantity
(P) Eligible for Partial Payment
(LS) Lump Sum

General Decision Number: CA190007 02/22/2019 CA7

Superseded General Decision Number: CA20180009

State: California

Construction Types: Building, Heavy (Heavy and Dredging) and Highway

Counties: Alpine, Amador, Butte, Colusa, El Dorado, Glenn, Lassen, Marin, Modoc, Napa, Nevada, Placer, Plumas, Sacramento, Shasta, Sierra, Siskiyou, Solano, Sonoma, Sutter, Tehama, Trinity, Yolo and Yuba Counties in California.

BUILDING CONSTRUCTION PROJECTS (excluding Amador County only); DREDGING CONSTRUCTION PROJECTS (does not include hopper dredge work); HEAVY CONSTRUCTION PROJECTS (does not include water well drilling); AND HIGHWAY CONSTRUCTION PROJECTS

Note: Under Executive Order (EO) 13658, an hourly minimum wage of \$10.60 for calendar year 2019 applies to all contracts subject to the Davis-Bacon Act for which the contract is awarded (and any solicitation was issued) on or after January 1, 2015. If this contract is covered by the EO, the contractor must pay all workers in any classification listed on this wage determination at least \$10.60 per hour (or the applicable wage rate listed on this wage determination, if it is higher) for all hours spent performing on the contract in calendar year 2019. If this contract is covered by the EO and a classification considered necessary for performance of work on the contract does not appear on this wage determination, the contractor must pay workers in that classification at least the wage rate determined through the conformance process set forth in 29 CFR 5.5(a)(1)(ii) (or the EO minimum wage rate, if it is higher than the conformed wage rate). The EO minimum wage rate will be adjusted annually. Please note that this EO applies to the above-mentioned types of contracts entered into by the federal government that are subject to the Davis-Bacon Act itself, but it does not apply to contracts subject only to the Davis-Bacon Related Acts, including those set forth at 29 CFR 5.1(a)(2)-(60). Additional information on contractor requirements and worker protections under the EO is available at www.dol.gov/whd/govcontracts.

Modification Number	Publication Date
0	01/04/2019
1	02/01/2019
2	02/15/2019
3	02/22/2019

ASBE0016-001 08/01/2018

AREA 1: MARIN, NAPA, SAN BENITO, SAN FRANCISCO, SOLANO, & SONOMA COUNTIES

AREA 2: ALPINE, AMADOR, BUTTE, COLUSA, EL DORADO, GLENN,

MODOC, NEVADA, PLACER, PLUMAS, SACRAMENTO, SHASTA, SIERRA, SISKIYOU, SUTTER, TEHEMA, TRINITY, YOLO, & YUBA COUNTIES

	Rates	Fringes
Asbestos Workers/Insulator (Includes the application of all insulating materials, Protective Coverings, Coatings, and Finishes to all types of mechanical systems)		
Area 1.....	\$ 68.11	23.28
Area 2.....	\$ 51.71	23.28

ASBE0016-007 06/25/2018

AREA 1 : ALPINE, AMADOR, BUTTE, COLUSA, EL DORADO, GLENN, LASSEN, MODOC, NEVADA, PLACER, PLUMAS, SACRAMENTO, SHASTA, SIERRA, SISKIYOU, SOLANO, SONOMA, SUTTER, TEHAMA, TRINITY, YOLO & YUBA COUNTIES

AREA 2: MARIN & NAPA COUNTIES

	Rates	Fringes
Asbestos Removal worker/hazardous material handler (Includes preparation, wetting, stripping, removal, scrapping, vacuuming, bagging and disposing of all insulation materials from mechanical systems, whether they contain asbestos or not)		
AREA 1.....	\$ 30.81	22.71
AREA 2.....	\$ 31.81	22.71

BOIL0549-002 10/01/2016

	Rates	Fringes
BOILERMAKER		
(1) Marin & Solano Counties.....	\$ 43.28	37.91
(2) Remaining Counties.....	\$ 39.68	35.71

BRCA0003-001 08/01/2017

	Rates	Fringes
MARBLE FINISHER.....	\$ 32.60	15.31

BRCA0003-004 05/01/2017

AREA 1: ALPINE, AMADOR, BUTTE, COLUSA, EL DORADO, GLENN, LASSEN, MODOC, NEVADA, PLACER, PLUMAS, SACRAMENTO, SHASTA, SIERRA, SUTTER, TEHAMA, YOLO AND YUBA COUNTIES

AREA 2: MARIN, NAPA, SISKIYOU, SOLANO, SONOMA AND TRINITY COUNTIES

Safety Countermeasures at Various Locations
CIP No. 49320, Contract No. 3630
February 5, 2019

County of El Dorado
Agreement
Page C-32 REV

	Rates	Fringes
BRICKLAYER		
AREA 1.....	\$ 39.66	20.76
AREA 2.....	\$ 42.34	25.83

SPECIALTY PAY:

- (A) Underground work such as tunnel work, sewer work, manholes, catch basins, sewer pipes and telephone conduit shall be paid \$1.25 per hour above the regular rate. Work in direct contact with raw sewage shall receive \$1.25 per hour in addition to the above.
- (B) Operating a saw or grinder shall receive \$1.25 per hour above the regular rate.
- (C) Gunite nozzle person shall receive \$1.25 per hour above the regular rate.

BRCA0003-008 09/01/2017

	Rates	Fringes
TERRAZZO FINISHER.....	\$ 35.14	16.87
TERRAZZO WORKER/SETTER.....	\$ 44.11	26.36

BRCA0003-010 04/01/2018

	Rates	Fringes
TILE FINISHER		
Area 1.....	\$ 26.04	13.75
Area 2.....	\$ 26.36	15.97
Area 3.....	\$ 28.56	15.87
Area 4.....	\$ 26.69	15.31
Tile Layer		
Area 1.....	\$ 43.36	16.79
Area 2.....	\$ 43.02	18.19
Area 3.....	\$ 47.77	18.29
Area 4.....	\$ 44.64	18.21

- AREA 1: Butte, Colusa, El Dorado, Glenn, Lassen, Modoc, Nevada, Placer, Plumas, Sacramento, Shasta, Sierra, Sutter, Tehama, Yolo, Yuba
- AREA 2: Alpine, Amador
- AREA 3: Marin, Napa, Solano, Siskiyou
- AREA 4: Sonoma

BRCA0003-014 08/01/2017

	Rates	Fringes
MARBLE MASON.....	\$ 44.60	26.83

CARP0034-001 07/01/2018

	Rates	Fringes
Diver		
Assistant Tender, ROV		
Tender/Technician.....	\$ 47.65	32.52
Diver standby.....	\$ 52.61	32.52
Diver Tender.....	\$ 51.82	32.52
Diver wet.....	\$ 97.17	32.52
Manifold Operator (mixed gas).....	\$ 56.82	32.52
Manifold Operator (Standby).....	\$ 51.82	32.52

DEPTH PAY (Surface Diving):

050 to 100 ft	\$2.00 per foot
101 to 150 ft	\$3.00 per foot
151 to 220 ft	\$4.00 per foot

SATURATION DIVING:

The standby rate shall apply until saturation starts. The saturation diving rate applies when divers are under pressure continuously until work task and decompression are complete. The diver rate shall be paid for all saturation hours.

DIVING IN ENCLOSURES:

Where it is necessary for Divers to enter pipes or tunnels, or other enclosures where there is no vertical ascent, the following premium shall be paid: Distance traveled from entrance 26 feet to 300 feet: \$1.00 per foot. When it is necessary for a diver to enter any pipe, tunnel or other enclosure less than 48" in height, the premium will be \$1.00 per foot.

WORK IN COMBINATION OF CLASSIFICATIONS:

Employees working in any combination of classifications within the diving crew (except dive supervisor) in a shift are paid in the classification with the highest rate for that shift.

CARP0034-003 07/01/2017

	Rates	Fringes
Piledriver.....	\$ 46.65	31.91

CARP0035-001 08/01/2018

AREA 1: MARIN, NAPA, SOLANO & SONOMA

AREA 3: SACRAMENTO, WESTERN EL DORADO (Territory west of an including highway 49 and the territory inside the city limits of Placerville), **WESTERN PLACER** (Territory west of and including highway 49), & **YOLO**

AREA 4: ALPINE, BUTTE, COLUSA, EASTERN EL DORADO, GLENN, LASSEN, MODOC, NEVADA, EASTERN PLACER, PLUMAS, SHASTA, SIERRA, SISKIYOU, SUTTER, TEHAMA, TRINITY, & YUBA

	Rates	Fringes
Drywall Installers/Lathers:		
Area 1.....	\$ 48.40	29.76
Area 3.....	\$ 43.02	29.76
Area 4.....	\$ 41.67	29.76
Drywall Stocker/Scrapper		
Area 1.....	\$ 24.20	17.29
Area 3.....	\$ 21.51	17.51
Area 4.....	\$ 20.84	17.29

CARP0035-009 07/01/2018

Marin County

	Rates	Fringes
CARPENTER		
Bridge Builder/Highway		

Carpenter.....	\$ 48.40	29.32
Hardwood Floorlayer, Shingler, Power Saw Operator, Steel Scaffold & Steel Shoring Erector, Saw Filer.....	\$ 48.55	29.32
Journeyman Carpenter.....	\$ 48.40	29.32
Millwright.....	\$ 48.50	30.91

CARP0035-010 07/01/2017

AREA 1: Marin, Napa, Solano & Sonoma Counties

AREA 2: Monterey, San Benito and Santa Cruz

AREA 3: Alpine, Butte, Colusa, El Dorado, Glenn, Lassen,
Modoc,
Nevada, Placer, Plumas, Sacramento, Shasta, Sierra,
Siskiyou,
Sutter, Tehama, Trinity, Yolo & Yuba counties

	Rates	Fringes
Modular Furniture Installer		
Area 1		
Installer I.....	\$ 24.91	19.63
Installer II.....	\$ 22.18	20.42
Lead Installer.....	\$ 29.06	20.92
Master Installer.....	\$ 33.28	20.92
Area 2		
Installer I.....	\$ 22.96	20.42
Installer II.....	\$ 20.01	20.42
Lead Installer.....	\$ 25.93	20.92
Master Installer.....	\$ 29.56	20.92
Area 3		
Installer I.....	\$ 22.01	20.42
Installer II.....	\$ 19.24	20.42
Lead Installer.....	\$ 24.81	20.92
Master Installer.....	\$ 31.83	20.92

CARP0046-001 07/01/2018

El Dorado (West), Placer (West), Sacramento and Yolo
Counties

	Rates	Fringes
Carpenters		
Bridge Builder/Highway Carpenter.....	\$ 48.40	29.32
Hardwood Floorlayer, Shingler, Power Saw Operator, Steel Scaffold & Steel Shoring Erector, Saw Filer.....	\$ 42.67	29.32
Journeyman Carpenter.....	\$ 42.52	29.32
Millwright.....	\$ 45.02	30.91

Footnote: Placer County (West) includes territory West of and including Highway 49 and El Dorado County (West) includes territory West of and including Highway 49 and territory inside the city limits of Placerville.

CARP0046-002 07/01/2018

Alpine, Colusa, El Dorado (East), Nevada, Placer (East),
Sierra, Sutter and Yuba Counties

	Rates	Fringes
Carpenters		
Bridge Builder/Highway Carpenter.....	\$ 48.40	29.32
Hardwood Floorlayer, Shingler, Power Saw Operator, Steel Scaffold & Steel Shoring Erector, Saw Filer.....	\$ 41.32	29.32
Journeyman Carpenter.....	\$ 40.17	29.32
Millwright.....	\$ 43.67	30.91

CARP0152-003 07/01/2018

Amador County

	Rates	Fringes
Carpenters		
Bridge Builder/Highway Carpenter.....	\$ 48.40	29.32
Hardwood Floorlayer, Shingler, Power Saw Operator, Steel Scaffold & Steel Shoring Erector, Saw Filer.....	\$ 41.32	29.32
Journeyman Carpenter.....	\$ 41.17	29.32
Millwright.....	\$ 43.67	30.91

CARP0180-001 07/01/2018

Solano County

	Rates	Fringes
Carpenters		
Bridge Builder/Highway Carpenter.....	\$ 48.40	29.32
Hardwood Floorlayer, Shingler, Power Saw Operator, Steel Scaffold & Steel Shoring Erector, Saw Filer.....	\$ 48.55	29.32
Journeyman Carpenter.....	\$ 48.40	29.32
Millwright.....	\$ 48.50	30.91

CARP0751-001 07/01/2018

Napa and Sonoma Counties

	Rates	Fringes
Carpenters		
Bridge Builder/Highway Carpenter.....	\$ 48.40	29.32
Hardwood Floorlayer, Shingler, Power Saw Operator, Steel Scaffold & Steel Shoring Erector, Saw Filer.....	\$ 48.55	29.32
Journeyman Carpenter.....	\$ 48.50	29.32
Millwright.....	\$ 48.50	30.91

CARP1599-001 07/01/2018

Butte, Glenn, Lassen, Modoc, Plumas, Shasta, Siskiyou,
Tehama
and Trinity Counties

	Rates	Fringes
Carpenters		
Bridge Builder/Highway Carpenter.....	\$ 48.40	29.32
Hardwood Floorlayer, Shingler, Power Saw Operator, Steel Scaffold & Steel Shoring Erector, Saw Filer.....	\$ 41.32	29.32
Journeyman Carpenter.....	\$ 41.17	29.32
Millwright.....	\$ 43.67	30.91

ELEC0180-001 06/01/2017

NAPA AND SOLANO COUNTIES

	Rates	Fringes
CABLE SPLICER.....	\$ 50.97	3%+20.13
ELECTRICIAN.....	\$ 47.31	23.05

ELEC0180-003 12/01/2018

NAPA AND SOLANO COUNTIES

	Rates	Fringes
Sound & Communications		
Installer.....	\$ 38.42	20.20
Technician.....	\$ 44.18	20.20

SCOPE OF WORK INCLUDES-
SOUND & VOICE TRANSMISSION (Music, Intercom, Nurse
Call,
Telephone); FIRE ALARM SYSTEMS [excluding fire alarm
work
when installed in raceways (including wire and cable
pulling) and when performed on new or major remodel
building projects or jobs],
TELEVISION & VIDEO SYSTEMS, SECURITY SYSTEMS,
COMMUNICATIONS
SYSTEMS that transmit or receive information and/or control
systems that are intrinsic to the above.

EXCLUDES-
Excludes all other data systems or multiple systems which
include control function or power supply; excludes
installation of raceway systems, line voltage work,
industrial work, life-safety systems (all buildings having
floors located more than 75' above the lowest floor level
having building access); excludes energy management
systems.

ELEC0340-002 02/01/2018

**ALPINE, AMADOR, BUTTE, COLUSA, EL DORADO, GLENN,
LASSEN,
NEVADA, PLACER, PLUMAS, SACRAMENTO, TRINITY,
YOLO, YUBA COUNTIES**

	Rates	Fringes
Communications System		
Sound & Communications Installer.....	\$ 29.35	3%+15.35

Safety Countermeasures at Various Locations
CIP No. 49320, Contract No. 3630
February 5, 2019

Sound & Communications		
Technician.....	\$ 33.75	3%+15.35

SCOPE OF WORK

Includes the installation testing, service and maintenance,
of the following systems which utilize the transmission
and/or transference of voice, sound, vision and digital for
commercial, education, security and entertainment purposes
for the following TV monitoring and surveillance,
background-foreground music, intercom and telephone
interconnect, inventory control systems, microwave
transmission, multi-media, multiplex, nurse call system,
radio page, school intercom and sound, burglar alarms, and
low voltage master clock systems.

**A. SOUND AND VOICE TRANSMISSION/TRANSFERENCE
SYSTEMS**

Background foreground music Intercom and telephone
interconnect systems, Telephone systems, Nurse call
systems, Radio page systems, School intercom and sound
systems, Burglar alarm systems, Low voltage master clock
systems, Multi-media/multiplex systems, Sound and musical
entertainment systems, RF systems, Antennas and Wave
Guide.

B. FIRE ALARM SYSTEMS

Installation, wire pulling and testing

C. TELEVISION AND VIDEO SYSTEMS Television
monitoring and
surveillance systems, Video security systems, Video
entertainment systems, Video educational systems,
Microwave
transmission systems, CATV and CCTV

D. SECURITY SYSTEMS Perimeter security systems
Vibration sensor systems Card access systems Access
control systems Sonar/infrared monitoring equipment

**E. COMMUNICATIONS SYSTEMS THAT TRANSMIT OR
RECEIVE
INFORMATION AND/OR CONTROL SYSTEMS THAT ARE
INTRINSIC TO
THE ABOVE LISTED SYSTEMS** SCADA (Supervisory
Control and
Data Acquisition) PCM (Pulse Code Modulation)
Inventory Control Systems Digital Data Systems
Broadband and Baseband and Carriers Point of Sale
Systems VSAT Data Systems Data Communication
Systems RF and Remote Control Systems Fiber Optic
Data Systems WORK EXCLUDED Raceway systems are not
covered
(excluding Ladder-Rack for the purpose of the above listed
systems). Chases and/or nipples (not to exceed 10 feet)
may be installed on open wiring systems. Energy
management
systems. SCADA (Supervisory Control and Data Acquisition)
when not intrinsic to the above listed systems (in the
scope). Fire alarm systems when installed in raceways
(including wire and cable pulling) shall be performed at
the electrician wage rate, when either of the following two
(2) conditions apply:
1. The project involves new or major remodel building trades
construction.
2. The conductors for the fire alarm system are installed in
conduit.

ELEC0340-003 08/01/2018

County of El Dorado
Agreement
Page C-35 REV

ALPINE (West of Sierra Mt. Watershed), AMADOR, BUTTE, COLUSA, EL DORADO (West of Sierra Mt. Watershed), GLENN, LASSEN, NEVADA (West of Sierra Mt. Watershed), PLACER, PLUMAS, SACRAMENTO, SHASTA, SIERRA (West of Sierra Mt. Watershed), SUTTER, TEHAMA, TRINITY, YOLO & YUBA COUNTIES

include control function or power supply; excludes installation of raceway systems, line voltage work, industrial work, life-safety systems (all buildings having floors located more than 75' above the lowest floor level having building access); excludes energy management systems.

* ELEC0659-006 01/01/2019

DEL NORTE, MODOC and SISKIYOU COUNTIES

	Rates	Fringes
ELECTRICIAN		
Remaining area.....	\$ 40.06	28.54
Sierra Army Depot, Herlong..	\$ 48.83	18.54
Tunnel work.....	\$ 41.01	18.54

CABLE SPLICER: Receives 110% of the Electrician basic hourly rate.

ELEC0401-005 07/01/2018

ALPINE (east of the main watershed divide), EL DORADO (east of the main watershed divide), NEVADA (east of the main watershed divide), PLACER (east of the main watershed divide) and SIERRA (east of the main watershed divide) COUNTIES:

	Rates	Fringes
ELECTRICIAN.....	\$ 40.50	17.38

ELEC0551-004 06/01/2018

MARIN AND SONOMA COUNTIES

	Rates	Fringes
ELECTRICIAN.....	\$ 48.40	22.66

ELEC0551-005 12/01/2018

MARIN & SONOMA COUNTIES

	Rates	Fringes
Sound & Communications		
Installer.....	\$ 38.42	20.11
Technician.....	\$ 44.18	20.29

SCOPE OF WORK INCLUDES-
SOUND & VOICE TRANSMISSION (Music, Intercom, Nurse Call, Telephone); FIRE ALARM SYSTEMS [excluding fire alarm work when installed in raceways (including wire and cable pulling) and when performed on new or major remodel building projects or jobs], TELEVISION & VIDEO SYSTEMS, SECURITY SYSTEMS, COMMUNICATIONS SYSTEMS that transmit or receive information and/or control systems that are intrinsic to the above.

EXCLUDES-
Excludes all other data systems or multiple systems which

	Rates	Fringes
ELECTRICIAN.....	\$ 35.19	16.80

ELEC0659-008 02/01/2018

DEL NORTE, MODOC & SISKIYOU COUNTIES

	Rates	Fringes
Line Construction		
(1) Cable Splicer.....	\$ 57.94	18.27
(2) Lineman, Pole Sprayer, Heavy Line Equipment Man....	\$ 51.73	18.02
(3) Tree Trimmer.....	\$ 31.10	11.32
(4) Line Equipment Man.....	\$ 51.73	18.02
(5) Powdermen, Jackhammermen.....	\$ 33.80	13.35
(6) Groundman.....	\$ 33.11	13.17

ELEC1245-004 01/01/2019

ALL COUNTIES EXCEPT DEL NORTE, MODOC & SISKIYOU

	Rates	Fringes
LINE CONSTRUCTION		
(1) Lineman; Cable splicer..	\$ 56.79	17.41
(2) Equipment specialist (operates crawler tractors, commercial motor vehicles, backhoes, trenchers, cranes (50 tons and below), overhead & underground distribution line equipment).....	\$ 45.36	16.24
(3) Groundman.....	\$ 34.68	15.86
(4) Powderman.....	\$ 49.55	3%+17.65

HOLIDAYS: New Year's Day, M.L. King Day, Memorial Day, Independence Day, Labor Day, Veterans Day, Thanksgiving Day and day after Thanksgiving, Christmas Day

ELEV0008-001 01/01/2019

	Rates	Fringes
ELEVATOR MECHANIC.....	\$ 67.56	34.125+a+b

FOOTNOTE:
PAID VACATION: Employer contributes 8% of regular hourly rate as vacation pay credit for employees with more than 5 years of service, and 6% for 6 months to 5 years of service.
PAID HOLIDAYS: New Years Day, Memorial Day, Independence Day, Labor Day, Veterans Day, Thanksgiving Day, Friday after

Thanksgiving, and Christmas Day.

ENGI0003-008 07/01/2017

Rates	Fringes
Dredging: (DREDGING; CLAMSHELL & DIPPER DREDGING; HYDRAULIC SUCTION DREDGING:)	
AREA 1:	
(1) Leverman.....\$ 44.77	31.25
(2) Dredge Dozer; Heavy duty repairman.....\$ 39.81	31.25
(3) Booster Pump Operator; Deck Engineer; Deck mate; Dredge Tender; Winch Operator.....\$ 38.69	31.25
(4) Bargeman; Deckhand; Fireman; Leveehand; Oiler..\$ 35.39	31.25
AREA 2:	
(1) Leverman.....\$ 46.77	31.25
(2) Dredge Dozer; Heavy duty repairman.....\$ 41.81	31.25
(3) Booster Pump Operator; Deck Engineer; Deck mate; Dredge Tender; Winch Operator.....\$ 40.69	31.25
(4) Bargeman; Deckhand; Fireman; Leveehand; Oiler..\$ 37.39	31.25

AREA DESCRIPTIONS

AREA 1: ALAMEDA, BUTTE, CONTRA COSTA, KINGS,
MARIN, MERCED,
NAPA, SACRAMENTO, SAN BENITO, SAN FRANCISCO,
SAN JOAQUIN,
SAN MATEO, SANTA CLARA, SANTA CRUZ, SOLANO,
STANISLAUS,
SUTTER, YOLO, AND YUBA COUNTIES

AREA 2: MODOC COUNTY

THE REMAINING COUNTIES ARE SPLIT BETWEEN
AREA 1 AND AREA 2
AS NOTED BELOW:

ALPINE COUNTY:
Area 1: Northernmost part
Area 2: Remainder

CALAVERAS COUNTY:
Area 1: Remainder
Area 2: Eastern part

COLUSA COUNTY:
Area 1: Eastern part
Area 2: Remainder

ELDORADO COUNTY:
Area 1: North Central part
Area 2: Remainder

FRESNO COUNTY:
Area 1: Remainder
Area 2: Eastern part

GLENN COUNTY:

Area 1: Eastern part
Area 2: Remainder

LASSEN COUNTY:
Area 1: Western part along the Southern portion of border
with Shasta County
Area 2: Remainder

MADERA COUNTY:
Area 1: Except Eastern part
Area 2: Eastern part

MARIPOSA COUNTY
Area 1: Except Eastern part
Area 2: Eastern part

MONTERREY COUNTY
Area 1: Except Southwestern part
Area 2: Southwestern part

NEVADA COUNTY:
Area 1: All but the Northern portion along the border of
Sierra County
Area 2: Remainder

PLACER COUNTY:
Area 1: All but the Central portion
Area 2: Remainder

PLUMAS COUNTY:
Area 1: Western portion
Area 2: Remainder

SHASTA COUNTY:
Area 1: All but the Northeastern corner
Area 2: Remainder

SIERRA COUNTY:
Area 1: Western part
Area 2: Remainder

SISKIYOU COUNTY:
Area 1: Central part
Area 2: Remainder

SONOMA COUNTY:
Area 1: All but the Northwestern corner
Area 2: Remainder

TEHAMA COUNTY:
Area 1: All but the Western border with Mendocino & Trinity
Counties
Area 2: Remainder

TRINITY COUNTY:
Area 1: East Central part and the Northeastern border with
Shasta County
Area 2: Remainder

TUOLUMNE COUNTY:
Area 1: Except Eastern part
Area 2: Eastern part

ENGI0003-018 06/26/2017

"AREA 1" WAGE RATES ARE LISTED BELOW

"AREA 2" RECEIVES AN ADDITIONAL \$2.00 PER HOUR
ABOVE AREA 1

RATES.

SEE AREA DEFINITIONS BELOW

	Rates	Fringes
OPERATOR: Power Equipment (AREA 1:)		
GROUP 1.....	\$ 44.67	30.39
GROUP 2.....	\$ 43.14	30.39
GROUP 3.....	\$ 41.66	30.39
GROUP 4.....	\$ 40.28	30.39
GROUP 5.....	\$ 39.01	30.39
GROUP 6.....	\$ 37.69	30.39
GROUP 7.....	\$ 36.55	30.39
GROUP 8.....	\$ 35.41	30.39
GROUP 8-A.....	\$ 33.20	30.39
OPERATOR: Power Equipment (Cranes and Attachments - AREA 1:)		
GROUP 1		
Cranes.....	\$ 46.30	30.39
Oiler.....	\$ 36.63	30.39
Truck crane oiler.....	\$ 39.20	30.39
GROUP 2		
Cranes.....	\$ 43.79	30.39
Oiler.....	\$ 36.36	30.39
Truck crane oiler.....	\$ 38.98	30.39
GROUP 3		
Cranes.....	\$ 42.05	30.39
Hydraulic.....	\$ 38.32	30.39
Oiler.....	\$ 36.14	30.39
Truck Crane Oiler.....	\$ 38.71	30.39
GROUP 4		
Cranes.....	\$ 39.01	30.39
OPERATOR: Power Equipment (Piledriving - AREA 1:)		
GROUP 1		
Lifting devices.....	\$ 45.89	30.39
Oiler.....	\$ 36.63	30.39
Truck crane oiler.....	\$ 39.20	30.39
GROUP 2		
Lifting devices.....	\$ 44.07	30.39
Oiler.....	\$ 36.36	30.39
Truck Crane Oiler.....	\$ 38.98	30.39
GROUP 3		
Lifting devices.....	\$ 42.39	30.39
Oiler.....	\$ 36.14	30.39
Truck Crane Oiler.....	\$ 38.71	30.39
GROUP 4		
Lifting devices.....	\$ 40.62	30.39
GROUP 5		
Lifting devices.....	\$ 39.32	30.39
GROUP 6		
Lifting devices.....	\$ 37.98	30.39
OPERATOR: Power Equipment (Steel Erection - AREA 1:)		
GROUP 1		
Cranes.....	\$ 46.30	30.39
Oiler.....	\$ 36.63	30.39
Truck Crane Oiler.....	\$ 39.20	30.39
GROUP 2		
Cranes.....	\$ 43.79	30.39
Oiler.....	\$ 36.36	30.39
Truck Crane Oiler.....	\$ 38.98	30.39
GROUP 3		
Cranes.....	\$ 42.05	30.39
Hydraulic.....	\$ 38.32	30.39
Oiler.....	\$ 36.14	30.39

Truck Crane Oiler.....	\$ 38.71	30.39
GROUP 4		
Cranes.....	\$ 39.01	30.39
GROUP 5		
Cranes.....	\$ 35.13	30.39
OPERATOR: Power Equipment (Tunnel and Underground Work - AREA 1:)		
SHAFTS, STOPES, RAISES:		
GROUP 1.....	\$ 40.77	30.39
GROUP 1-A.....	\$ 43.24	30.39
GROUP 2.....	\$ 39.51	30.39
GROUP 3.....	\$ 38.18	30.39
GROUP 4.....	\$ 37.04	30.39
GROUP 5.....	\$ 35.90	30.39
UNDERGROUND:		
GROUP 1.....	\$ 40.67	30.39
GROUP 1-A.....	\$ 43.14	30.39
GROUP 2.....	\$ 39.41	30.39
GROUP 3.....	\$ 38.08	30.39
GROUP 4.....	\$ 36.94	30.39
GROUP 5.....	\$ 35.80	30.39

FOOTNOTE: Work suspended by ropes or cables, or work on a Yo-Yo Cat: \$.60 per hour additional.

POWER EQUIPMENT OPERATOR CLASSIFICATIONS

GROUP 1: Operator of helicopter (when used in erection work); Hydraulic excavator, 7 cu. yds. and over; Power shovels, over 7 cu. yds.

GROUP 2: Highline cableway; Hydraulic excavator, 3-1/2 cu. yds. up to 7 cu. yds.; Licensed construction work boat operator, on site; Power blade operator (finish); Power shovels, over 1 cu. yd. up to and including 7 cu. yds. m.r.c.

GROUP 3: Asphalt milling machine; Cable backhoe; Combination backhoe and loader over 3/4 cu. yds.; Continuous flight tie back machine assistant to engineer or mechanic; Crane mounted continuous flight tie back machine, tonnage to apply; Crane mounted drill attachment, tonnage to apply; Dozer, slope brd; Gradall; Hydraulic excavator, up to 3 1/2 cu. yds.; Loader 4 cu. yds. and over; Long reach excavator; Multiple engine scraper (when used as push pull); Power shovels, up to and including 1 cu. yd.; Pre-stress wire wrapping machine; Side boom cat, 572 or larger; Track loader 4 cu. yds. and over; Wheel excavator (up to and including 750 cu. yds. per hour)

GROUP 4: Asphalt plant engineer/box person; Chicago boom; Combination backhoe and loader up to and including 3/4 cu. yd.; Concrete batch plant (wet or dry); Dozer and/or push cat; Pull-type elevating loader; Gradesetter, grade checker (GPS, mechanical or otherwise); Grooving and grinding machine; Heading shield operator; Heavy-duty drilling equipment, Hughes, LDH, Watson 3000 or similar; Heavy-duty repairperson and/or welder; Lime spreader; Loader under 4 cu. yds.; Lubrication and service engineer (mobile and grease rack); Mechanical finishers or spreader machine (asphalt, Barber-Greene and similar); Miller Formless M-9000 slope paver or similar; Portable crushing and screening plants; Power blade support; Roller operator, asphalt; Rubber-tired scraper, self-loading (paddle-wheels,

etc.); Rubber-tired earthmoving equipment (scrapers); Slip form paver (concrete); Small tractor with drag; Soil stabilizer (P & H or equal); Spider plow and spider puller; Tubex pile rig; Unlicensed construction work boat operator, on site; Timber skidder; Track loader up to 4 yds.; Tractor-drawn scraper; Tractor, compressor drill combination; Welder; Woods-Mixer (and other similar Pugmill equipment)

GROUP 5: Cast-in-place pipe laying machine; Combination slusher and motor operator; Concrete conveyor or concrete pump, truck or equipment mounted; Concrete conveyor, building site; Concrete pump or pumpcrete gun; Drilling equipment, Watson 2000, Texoma 700 or similar; Drilling and boring machinery, horizontal (not to apply to waterliners, wagon drills or jackhammers); Concrete mixer/all; Person and/or material hoist; Mechanical finishers (concrete) (Clary, Johnson, Bidwell Bridge Deck or similar types); Mechanical burm, curb and/or curb and gutter machine, concrete or asphalt; Mine or shaft hoist; Portable crusher; Power jumbo operator (setting slip-forms, etc., in tunnels); Screenshot (automatic or manual); Self-propelled compactor with dozer; Tractor with boom D6 or smaller; Trenching machine, maximum digging capacity over 5 ft. depth; Vermeer T-600B rock cutter or similar

GROUP 6: Armor-Coater (or similar); Ballast jack tamper; Boom-type backfilling machine; Assistant plant engineer; Bridge and/or gantry crane; Chemical grouting machine, truck-mounted; Chip spreading machine operator; Concrete saw (self-propelled unit on streets, highways, airports and canals); Deck engineer; Drilling equipment Texoma 600, Hughes 200 Series or similar up to and including 30 ft. m.r.c.; Drill doctor; Helicopter radio operator; Hydro-hammer or similar; Line master; Skidsteer loader, Bobcat larger than 743 series or similar (with attachments); Locomotive; Lull hi-lift or similar; Oiler, truck mounted equipment; Pavement breaker, truck-mounted, with compressor combination; Paving fabric installation and/or laying machine; Pipe bending machine (pipelines only); Pipe wrapping machine (tractor propelled and supported); Screenshot (except asphaltic concrete paving); Self-propelled pipeline wrapping machine; Tractor; Self-loading chipper; Concrete barrier moving machine

GROUP 7: Ballast regulator; Boom truck or dual-purpose A-frame truck, non-rotating - under 15 tons; Cary lift or similar; Combination slurry mixer and/or cleaner; Drilling equipment, 20 ft. and under m.r.c.; Firetender (hot plant); Grouting machine operator; Highline cableway signalperson; Stationary belt loader (Kolman or similar); Lift slab machine (Vagtborg and similar types); Maginnes internal full slab vibrator; Material hoist (1 drum); Mechanical trench shield; Pavement breaker with or without compressor combination; Pipe cleaning machine (tractor propelled and supported); Post driver; Roller (except asphalt); Chip Seal; Self-propelled automatically applied concrete curing machine (on streets, highways, airports and canals); Self-propelled compactor (without dozer); Signalperson; Slip-form pumps (lifting device for concrete forms); Tie spacer; Tower mobile; Trenching machine, maximum digging capacity up to and including 5 ft. depth; Truck-type loader

GROUP 8: Bit sharpener; Boiler tender; Box operator; Brakeperson; Combination mixer and compressor (shotcrete/gunite); Compressor operator; Deckhand; Fire tender; Forklift (under 20 ft.); Generator; Gunite/shotcrete equipment operator; Hydraulic monitor; Ken seal machine (or similar); Mixermobile; Oiler; Pump operator; Refrigeration plant; Reservoir-debris tug (self-

propelled floating); Ross Carrier (construction site); Rotomist operator; Self-propelled tape machine; Shuttlecar; Self-propelled power sweeper operator (includes vacuum sweeper); Slusher operator; Surface heater; Switchperson; Tar pot firetender; Tugger hoist, single drum; Vacuum cooling plant; Welding machine (powered other than by electricity)

GROUP 8-A: Elevator operator; Skidsteer loader-Bobcat 743 series or smaller, and similar (without attachments); Mini excavator under 25 H.P. (backhoe-trencher); Tub grinder wood chipper

ALL CRANES AND ATTACHMENTS

GROUP 1: Clamshell and dragline over 7 cu. yds.; Crane, over 100 tons; Derrick, over 100 tons; Derrick barge pedestal-mounted, over 100 tons; Self-propelled boom-type lifting device, over 100 tons

GROUP 2: Clamshell and dragline over 1 cu. yd. up to and including 7 cu. yds.; Crane, over 45 tons up to and including 100 tons; Derrick barge, 100 tons and under; Self-propelled boom-type lifting device, over 45 tons; Tower crane

GROUP 3: Clamshell and dragline up to and including 1 cu. yd.; Cranes 45 tons and under; Self-propelled boom-type lifting device 45 tons and under;

GROUP 4: Boom Truck or dual purpose A-frame truck, non-rotating over 15 tons; Truck-mounted rotating telescopic boom type lifting device, Manitex or similar (boom truck) over 15 tons; Truck-mounted rotating telescopic boom type lifting device, Manitex or similar (boom truck) - under 15 tons;

PILEDRIVERS

GROUP 1: Derrick barge pedestal mounted over 100 tons; Clamshell over 7 cu. yds.; Self-propelled boom-type lifting device over 100 tons; Truck crane or crawler, land or barge mounted over 100 tons

GROUP 2: Derrick barge pedestal mounted 45 tons to and including 100 tons; Clamshell up to and including 7 cu. yds.; Self-propelled boom-type lifting device over 45 tons; Truck crane or crawler, land or barge mounted, over 45 tons up to and including 100 tons; Fundex F-12 hydraulic pile rig

GROUP 3: Derrick barge pedestal mounted under 45 tons; Self-propelled boom-type lifting device 45 tons and under; Skid/scow piledriver, any tonnage; Truck crane or crawler, land or barge mounted 45 tons and under

GROUP 4: Assistant operator in lieu of assistant to engineer; Forklift, 10 tons and over; Heavy-duty repairperson/welder

GROUP 5: Deck engineer

GROUP 6: Deckhand; Fire tender

STEEL ERECTORS

GROUP 1: Crane over 100 tons; Derrick over 100 tons; Self-propelled boom-type lifting device over 100 tons

GROUP 2: Crane over 45 tons to 100 tons; Derrick under 100 tons; Self-propelled boom-type lifting device over 45 tons to 100 tons; Tower crane

GROUP 3: Crane, 45 tons and under; Self-propelled boom-type lifting device, 45 tons and under

GROUP 4: Chicago boom; Forklift, 10 tons and over; Heavy-duty repair person/welder

GROUP 5: Boom cat

--

TUNNEL AND UNDERGROUND WORK

GROUP 1-A: Tunnel bore machine operator, 20' diameter or more

GROUP 1: Heading shield operator; Heavy-duty repairperson; Mucking machine (rubber tired, rail or track type); Raised bore operator (tunnels); Tunnel mole bore operator

GROUP 2: Combination slusher and motor operator; Concrete pump or pumpcrete gun; Power jumbo operator

GROUP 3: Drill doctor; Mine or shaft hoist

GROUP 4: Combination slurry mixer cleaner; Grouting Machine operator; Motorman

GROUP 5: Bit Sharpener; Brakeman; Combination mixer and compressor (gunite); Compressor operator; Oiler; Pump operator; Slusher operator

AREA DESCRIPTIONS:

POWER EQUIPMENT OPERATORS, CRANES AND ATTACHMENTS, TUNNEL AND UNDERGROUND [These areas do not apply to Piledrivers and Steel Erectors]

AREA 1: ALPINE, AMADOR, BUTTE, COLUSA, EL DORADO, GLENN, LASSEN, MARIN, NAPA, NEVADA, PLACER, PLUMAS, SACRAMENTO, SHASTA, SIERRA, SISKIYOU, SOLANO, SONOMA, SUTTER, TEHAMA, TRINITY, YOLO, YUBA
AREA 2 - MODOC COUNTY

THE REMAINING COUNTIES ARE SPLIT BETWEEN AREA 1 AND AREA 2 AS NOTED BELOW:

ALPINE COUNTY:

Area 1: Northernmost part
Area 2: Remainder

COLUSA COUNTY:
Area 1: Eastern part
Area 2: Remainder

DEL NORTE COUNTY:
Area 1: Extreme Southwestern corner
Area 2: Remainder

ELDORADO COUNTY:
Area 1: North Central part
Area 2: Remainder

GLENN COUNTY:
Area 1: Eastern part
Area 2: Remainder

LASSEN COUNTY:
Area 1: Western part along the Southern portion of border with Shasta County
Area 2: Remainder

NEVADA COUNTY:
Area 1: All but the Northern portion along the border of Sierra County
Area 2: Remainder

PLACER COUNTY:
Area 1: All but the Central portion
Area 2: Remainder

PLUMAS COUNTY:
Area 1: Western portion
Area 2: Remainder

SHASTA COUNTY:
Area 1: All but the Northeastern corner
Area 2: Remainder

SIERRA COUNTY:
Area 1: Western part
Area 2: Remainder

SISKIYOU COUNTY:
Area 1: Central part
Area 2: Remainder

SONOMA COUNTY:
Area 1: All but the Northwestern corner
Area 2: Remainder

TEHAMA COUNTY:
Area 1: All but the Western border with Mendocino & Trinity Counties
Area 2: Remainder

TRINITY COUNTY:
Area 1: East Central part and the Northeast border with Shasta County
Area 2: Remainder

ENGI0003-019 07/26/2017

SEE AREA DESCRIPTIONS BELOW

Rates Fringes

OPERATOR: Power Equipment
(LANDSCAPE WORK ONLY)

GROUP 1		
AREA 1.....	\$ 34.05	28.73
AREA 2.....	\$ 36.05	28.73
GROUP 2		
AREA 1.....	\$ 30.45	28.73
AREA 2.....	\$ 32.45	28.73
GROUP 3		
AREA 1.....	\$ 25.84	28.73
AREA 2.....	\$ 27.84	28.73

FRESNO COUNTY

Area 1: Except Eastern part
Area 2: Eastern part

GLENN COUNTY:

Area 1: Eastern part
Area 2: Remainder

HUMBOLDT COUNTY:

Area 1: Except Eastern and Southwestern parts
Area 2: Remainder

GROUP DESCRIPTIONS:

GROUP 1: Landscape Finish Grade Operator: All finish grade work regardless of equipment used, and all equipment with a rating more than 65 HP.

GROUP 2: Landscape Operator up to 65 HP: All equipment with a manufacturer's rating of 65 HP or less except equipment covered by Group 1 or Group 3. The following equipment shall be included except when used for finish work as long as manufacturer's rating is 65 HP or less: A-Frame and Winch Truck, Backhoe, Forklift, Hydragraphic Seeder Machine, Roller, Rubber-Tired and Track Earthmoving Equipment, Skiploader, Straw Blowers, and Trencher 31 HP up to 65 HP.

GROUP 3: Landscape Utility Operator: Small Rubber-Tired Tractor, Trencher Under 31 HP.

AREA DESCRIPTIONS:

AREA 1: ALAMEDA, BUTTE, CONTRA COSTA, KINGS, MARIN, MERCED, NAPA, SACRAMENTO, SAN BENITO, SAN FRANCISCO, SAN JOAQUIN, SAN MATEO, SANTA CLARA, SANTA CRUZ, SOLANO, STANISLAUS, SUTTER, YOLO, AND YUBA COUNTIES

AREA 2 - MODOC COUNTY

THE REMAINING COUNTIES ARE SPLIT BETWEEN AREA 1 AND AREA 2 AS NOTED BELOW:

ALPINE COUNTY:

Area 1: Northernmost part
Area 2: Remainder

CALAVERAS COUNTY:

Area 1: Except Eastern part
Area 2: Eastern part

COLUSA COUNTY:

Area 1: Eastern part
Area 2: Remainder

DEL NORTE COUNTY:

Area 1: Extreme Southwestern corner
Area 2: Remainder

ELDORADO COUNTY:

Area 1: North Central part
Area 2: Remainder

LAKE COUNTY:

Area 1: Southern part
Area 2: Remainder

LASSEN COUNTY:

Area 1: Western part along the Southern portion of border with Shasta County
Area 2: Remainder

MADERA COUNTY

Area 1: Remainder
Area 2: Eastern part

MARIPOSA COUNTY

Area 1: Remainder
Area 2: Eastern part

MENDOCINO COUNTY:

Area 1: Central and Southeastern parts
Area 2: Remainder

MONTEREY COUNTY

Area 1: Remainder
Area 2: Southwestern part

NEVADA COUNTY:

Area 1: All but the Northern portion along the border of Sierra County
Area 2: Remainder

PLACER COUNTY:

Area 1: All but the Central portion
Area 2: Remainder

PLUMAS COUNTY:

Area 1: Western portion
Area 2: Remainder

SHASTA COUNTY:

Area 1: All but the Northeastern corner
Area 2: Remainder

SIERRA COUNTY:

Area 1: Western part
Area 2: Remainder

SISKIYOU COUNTY:

Area 1: Central part
Area 2: Remainder

SONOMA COUNTY:

Area 1: All but the Northwestern corner
Area 2: Remainder

TEHAMA COUNTY:

Area 1: All but the Western border with Mendocino & Trinity Counties
Area 2: Remainder

TRINITY COUNTY:

Area 1: East Central part and the Northeaster border with Shasta County
 Area 2: Remainder

TULARE COUNTY:

Area 1: Remainder
 Area 2: Eastern part

TUOLUMNE COUNTY:

Area 1: Remainder
 Area 2: Eastern Part

IRON0377-002 01/01/2019

	Rates	Fringes
Ironworkers:		
Fence Erector.....	\$ 32.58	23.41
Ornamental, Reinforcing and Structural.....	\$ 39.00	32.05

PREMIUM PAY:

\$6.00 additional per hour at the following locations:

China Lake Naval Test Station, Chocolate Mountains Naval Reserve-Niland, Edwards AFB, Fort Irwin Military Station, Fort Irwin Training Center-Goldstone, San Clemente Island, San Nicholas Island, Susanville Federal Prison, 29 Palms - Marine Corps, U.S. Marine Base - Barstow, U.S. Naval Air Facility - Sealey, Vandenberg AFB

\$4.00 additional per hour at the following locations:

Army Defense Language Institute - Monterey, Fallon Air Base, Naval Post Graduate School - Monterey, Yermo Marine Corps Logistics Center

\$2.00 additional per hour at the following locations:

Port Hueneme, Port Mugu, U.S. Coast Guard Station - Two Rock

LABO0067-001 12/01/2018

AREA "A" - MARIN COUNTY

AREA "B" - ALPINE, AMADOR, BUTTE COLUSA EL DORADO, GLENN, LASSEN, MODOC, NAPA, NEVADA, PLACER, PLUMAS, SACRAMENTO, SHASTA, SIERRA, SISKIYOU, SOLANO, SONOMA, SUTTER, TEHAMA, TRINITY, YOLO, AND YUBA COUNTIES

	Rates	Fringes
Asbestos Removal Laborer.....	\$ 24.00	11.13
LABORER (Lead Removal)		
Marin County.....	\$ 31.81	22.71
Remaining Counties.....	\$ 30.81	22.71

LABO0067-005 06/27/2017

AREA "A" - ALAMEDA, CONTRA COSTA, MARIN, SAN FRANCISCO, SAN MATEO AND SANTA CLARA COUNTIES

AREA "B" - ALPINE, AMADOR, BUTTE, CALAVERAS, COLUSA, DEL NORTE, EL DORADO, FRESNO, GLENN, HUMBOLDT, KINGS, LAKE, LASSEN, MADERA, MARIPOSA, MENDOCINO, MERCED, MODOC, MONTEREY, NAPA, NEVADA, PLACER, PLUMAS, SANCREMENTO, SAN BENITO, SAN JOAQUIN, SANTA CRUZ, SIERRA, SHASTA, SISKIYOU, SOLANO, SONOMA, STANISLAUS, TEHAMA, TRINITY, TULARE, TUOLUMNE, YOLO AND YUBA COUNTIES

Rates Fringes

LABORER (TRAFFIC CONTROL/LANE CLOSURE)

Escort Driver, Flag Person		
Area A.....	\$ 29.54	22.17
Area B.....	\$ 28.54	22.17
Traffic Control Person I		
Area A.....	\$ 29.84	22.17
Area B.....	\$ 28.84	22.17
Traffic Control Person II		
Area A.....	\$ 27.34	22.17
Area B.....	\$ 26.34	22.17

TRAFFIC CONTROL PERSON I: Layout of traffic control, crash cushions, construction area and roadside signage.

TRAFFIC CONTROL PERSON II: Installation and removal of temporary/permanent signs, markers, delineators and crash cushions.

LABO0185-002 07/01/2018

ALPINE, AMADOR, BUTTE, COLUSA, EL DORADO, GLENN, LASSEN, MODOC, NEVADA, PLACER, PLUMAS, SACRAMENTO, SHASTA, SIERRA, SISKIYOU, SUTTER, TEHAMA, TRINITY, YOLO AND YUBA COUNTIES

Rates Fringes

LABORER		
Mason Tender-Brick.....	\$ 31.20	22.20

LABO0185-005 06/25/2018

ALPINE, AMADOR, BUTTE, COLUSA, EL DORADO, GLENN, LASSEN, MODOC, NEVADA, PLACER, PLUMAS, SACRAMENTO, SHASTA, SIERRA, SISKIYOU, SUTTER, TEHAMA, TRINITY, YOLO AND YUBA COUNTIES

Rates Fringes

Tunnel and Shaft Laborers:

Safety Countermeasures at Various Locations
CIP No. 49320, Contract No. 3630
 February 5, 2019

County of El Dorado
Agreement
 Page C-42 REV

GROUP 1.....	\$ 37.82	24.11
GROUP 2.....	\$ 37.59	24.11
GROUP 3.....	\$ 37.34	24.11
GROUP 4.....	\$ 36.89	24.11
GROUP 5.....	\$ 36.35	24.11
Shotcrete Specialist.....	\$ 38.34	24.11

LABORER (WRECKING - AREA B:)		
GROUP 1.....	\$ 29.79	23.20
GROUP 2.....	\$ 29.64	23.20

FOOTNOTES:

Laborers working off or with or from bos'n chairs, swinging scaffolds, belts shall receive \$0.25 per hour above the applicable wage rate. This shall not apply to workers entitled to receive the wage rate set forth in Group 1-a below.

TUNNEL AND SHAFT CLASSIFICATIONS

GROUP 1: Diamond driller; Groundmen; Gunite and shotcrete nozzlelemen

GROUP 2: Rodmen; Shaft work & raise (below actual or excavated ground level)

GROUP 3: Bit grinder; Blaster, driller, powdermen, heading; Cherry pickermen - where car is lifted; Concrete finisher in tunnel; Concrete screedman; Grout pumpman and potman; Gunite & shotcrete gunman & potman; Headermen; High pressure nozzleman; Miner - tunnel, including top and bottom man on shaft and raise work; Nipper; Nozzleman on slick line; Sandblaster - potman, Robotic Shotcrete Placer, Segment Erector, Tunnel Muck Hauler, Steel Form raiser and setter; Timberman, retimberman (wood or steel or substitute materials therefore); Tugger (for tunnel laborer work); Cable tender; Chuck tender; Powderman - primer house

GROUP 4: Vibrator operator, pavement breaker; Bull gang - muckers, trackmen; Concrete crew - includes rodding and spreading, Dumpmen (any method)

GROUP 5: Grout crew; Reboundman; Swamper/ Brakeman

LABO0185-006 06/25/2018

ALPINE, AMADOR, BUTTE, COLUSA, EL DORADO, GLENN, LASSEN, MODOC, NEVADA, PLACER, PLUMAS, SACRAMENTO, SHIASTA, SIERRA, SISKIYOU, SUTTER, TEHAMA, TRINITY, YOLO, YUBA COUNTIES

Rates Fringes

LABORER (CONSTRUCTION CRAFT

LABORERS - AREA B:)

Construction Specialist		
Group.....	\$ 30.49	23.20
GROUP 1.....	\$ 29.79	23.20
GROUP 1-a.....	\$ 30.01	23.20
GROUP 1-c.....	\$ 30.01	23.20
GROUP 1-e.....	\$ 30.34	23.20
GROUP 1-f.....	\$ 30.37	23.20
GROUP 2.....	\$ 29.64	23.20
GROUP 3.....	\$ 29.54	23.20
GROUP 4.....	\$ 23.23	23.20

See groups 1-b and 1-d under laborer classifications.

LABORER (GARDENERS, HORTICULTURAL & LANDSCAPE

LABORERS - AREA B:)

(1) New Construction.....	\$ 29.54	23.20
(2) Establishment Warranty		
Period.....	\$ 23.23	23.20

LABORER (GUNITE - AREA B:)

GROUP 1.....	\$ 29.75	22.31
GROUP 2.....	\$ 29.25	22.31
GROUP 3.....	\$ 28.66	22.31
GROUP 4.....	\$ 28.54	22.31

LABORER CLASSIFICATIONS

CONSTRUCTION SPECIALIST GROUP: Asphalt ironer and raker;

Chainsaw; Laser beam in connection with laborers' work; Cast-in- place manhole form setter; Pressure pipelayer; Davis trencher - 300 or similar type (and all small trenchers); Blaster; Diamond driller; Multiple unit drill; Hydraulic drill

GROUP 1: Asphalt spreader boxes (all types); Barko, Wacker and similar type tampers; Buggymobile; Caulker, bander, pipewrapper, conduit layer, plastic pipelayer; Certified hazardous waste worker including Leade Abatement; Compactors of all types; Concrete and magnesite mixer, 1/2 yd. and under; Concrete pan work; Concrete sander; Concrete

saw; Cribber and/or shoring; Cut granite curb setter; Dri-pak-it machine; Faller, logloader and bucket; Form raiser, slip forms; Green cutter; Headerboard, Hubsetter, aligner, by any method; High pressure blow pipe (1-1/2" or over, 100 lbs. pressure/over); Hydro seeder and similar type; Jackhammer operator; Jacking of pipe over 12 inches; Jackson and similar type compactor; Kettle tender, pot and worker applying asphalt, lay-kold, creosote, lime, caustic and similar type materials (applying means applying, dipping or handling of such materials); Lagging, sheeting, whaling, bracing, trenchjacking, lagging hammer; Magnesite, epoxyresin, fiberglass, mastic worker (wet or dry); No joint pipe and stripping of same, including repair of voids; Pavement breaker and spader, including tool grinder; Perma curb; Pipelayer (including grade checking in connection with pipelaying); Precast-manhole setter; Pressure pipe tester; Post hole digger, air, gas and electric; Power broom sweeper; Power tampers of all types (except as shown in Group 2); Ram set gun and stud gun; Riprap stonepaver and rock-slinger, including placing of sacked concrete and/or sand (wet or dry) and gabions and similar type; Rotary scarifier or multiple head concrete chipping scarifier; Roto and Ditch Witch; Rototiller; Sandblaster, pot, gun, nozzle operators; Signalling and rigging; Tank cleaner; Tree climber; Turbo blaster; Vibrascreed, bull float in connection with laborers' work; Vibrator; Hazardous waste worker (lead removal); Asbestos and mold removal worker

GROUP 1-a: Joy drill model TWM-2A; Gardner-Denver model DH143

and similar type drills; Track driller; Jack leg driller; Wagon driller; Mechanical drillers, all types regardless of type or method of power; Mechanical pipe layers, all types regardless of type or method of power; Blaster and powder; All work of loading, placing and blasting of all powder and explosives of whatever type regardless of method used for such loading and placing; High scalers (including drilling of same); Tree topper; Bit grinder

GROUP 1-b: Sewer cleaners shall receive \$4.00 per day above

Group 1 wage rates. "Sewer cleaner" means any worker who handles or comes in contact with raw sewage in small diameter sewers. Those who work inside recently active, large diameter sewers, and all recently active sewer manholes shall receive \$5.00 per day above Group 1 wage rates.

GROUP 1-c: Burning and welding in connection with laborers' work; Synthetic thermoplastics and similar type welding

GROUP 1-d: Maintenance and repair track and road beds. All

employees performing work covered herein shall receive \$.25 per hour above their regular rate for all work performed on underground structures not specifically covered herein. This paragraph shall not be construed to apply to work below ground level in open cut. It shall apply to cut and cover work of subway construction after the temporary cover has been placed.

GROUP 1-e: Work on and/or in bell hole footings and shafts thereof, and work on and in deep footings. (A deep footing is a hole 15 feet or more in depth.) In the event the depth of the footing is unknown at the commencement of excavation, and the final depth exceeds 15 feet, the deep footing wage rate would apply to all employees for each and every day worked on or in the excavation of the footing from the date of inception.

GROUP 1-f: Wire winding machine in connection with guniting or shotcrete

GROUP 2: Asphalt shoveler; Cement dumper and handling dry

cement or gypsum; Choke-setter and rigger (clearing work); Concrete bucket dumper and chute; Concrete chipping and grinding; Concrete laborer (wet or dry); Driller tender, chuck tender, nipper; Guinea chaser (stake), grout crew; High pressure nozzle, adductor; Hydraulic monitor (over 100 lbs. pressure); Loading and unloading, carrying and hauling of all rods and materials for use in reinforcing concrete construction; Pittsburgh chipper and similar type brush shredders; Sloper; Single foot, hand-held, pneumatic tamper; All pneumatic, air, gas and electric tools not listed in Groups 1 through 1-f; Jacking of pipe - under 12 inches

GROUP 3: Construction laborers, including bridge and general

laborer; Dump, load spotter; Flag person; Fire watcher; Fence erector; Guardrail erector; Gardener, horticultural and landscape laborer; Jetting; Limber, brush loader and piler; Pavement marker (button setter); Maintenance, repair track and road beds; Streetcar and railroad construction track laborer; Temporary air and water lines, Victaulic or similar; Tool room attendant (jobsite only)

GROUP 4: Final clean-up work of debris, grounds and building

including but not limited to: street cleaner; cleaning and washing windows; brick cleaner (jobsite only); material cleaner (jobsite only). The classification "material cleaner" is to be utilized under the following conditions:

A: at demolition site for the salvage of the material.
B: at the conclusion of a job where the material is to be salvaged and stocked to be reused on another job.

C: for the cleaning of salvage material at the jobsite or temporary jobsite yard.

The material cleaner classification should not be used in the performance of "form stripping, cleaning and oiling and moving to the next point of erection".

GUNITE LABORER CLASSIFICATIONS

GROUP 1: Structural Nozzleman

GROUP 2: Nozzleman, Gunman, Potman, Groundman

GROUP 3: Reboundman

GROUP 4: Gunite laborer

WRECKING WORK LABORER CLASSIFICATIONS

GROUP 1: Skilled wrecker (removing and salvaging of sash, windows and materials)

GROUP 2: Semi-skilled wrecker (salvaging of other building materials)

LABO0185-008 07/01/2018

	Rates	Fringes
Plasterer tender.....	\$ 32.02	23.00

Work on a swing stage scaffold: \$1.00 per hour additional.

LABO0261-002 06/25/2018

MARIN COUNTY

	Rates	Fringes
LABORER (TRAFFIC CONTROL/LANE CLOSURE)		
Escort Driver, Flag Person..	\$ 30.54	23.65
Traffic Control Person I...	\$ 30.84	23.65
Traffic Control Person II...	\$ 28.34	23.65

TRAFFIC CONTROL PERSON I: Layout of traffic control, crash cushions, construction area and roadside signage.

TRAFFIC CONTROL PERSON II: Installation and removal of temporary/permanent signs, markers, delineators and crash cushions.

LABO0261-004 06/25/2018

MARIN COUNTY

	Rates	Fringes
Tunnel and Shaft Laborers:		
GROUP 1.....	\$ 37.82	24.11
GROUP 2.....	\$ 37.59	24.11
GROUP 3.....	\$ 37.34	24.11
GROUP 4.....	\$ 36.89	24.11

GROUP 5.....	\$ 36.35	24.11
Shotcrete Specialist.....	\$ 38.34	24.11

LABORER (WRECKING - AREA A:)		
GROUP 1.....	\$ 30.79	23.20
GROUP 2.....	\$ 30.64	23.20

TUNNEL AND SHAFT CLASSIFICATIONS

GROUP 1: Diamond driller; Groundmen; Gunite and shotcrete nozzlemen

GROUP 2: Rodmen; Shaft work & raise (below actual or excavated ground level)

GROUP 3: Bit grinder; Blaster, driller, powdermen, heading; Cherry pickermen - where car is lifted; Concrete finisher in tunnel; Concrete screedman; Grout pumpman and potman; Gunite & shotcrete gunman & potman; Headermen; High pressure nozzleleman; Miner - tunnel, including top and bottom man on shaft and raise work; Nipper; Nozzleman on slick line; Sandblaster - potman, Robotic Shotcrete Placer, Segment Erector, Tunnel Muck Hauler, Steel Form raiser and setter; Timberman, retimberman (wood or steel or substitute materials therefore); Tugger (for tunnel laborer work); Cable tender; Chuck tender; Powderman - primer house

GROUP 4: Vibrator operator, pavement breaker; Bull gang - muckers, trackmen; Concrete crew - includes rodding and spreading, Dumpmen (any method)

GROUP 5: Grout crew; Reboundman; Swamper/ Brakeman

LABO0261-007 07/01/2018

MARIN AND NAPA COUNTIES

	Rates	Fringes
LABORER		
Mason Tender-Brick.....	\$ 32.45	22.20

LABO0261-010 06/25/2018

MARIN COUNTY

	Rates	Fringes
LABORER (CONSTRUCTION CRAFT LABORERS - AREA A:)		
Construction Specialist		
Group.....	\$ 31.49	23.20
GROUP 1.....	\$ 30.79	23.20
GROUP 1-a.....	\$ 31.01	23.20
GROUP 1-c.....	\$ 30.84	23.20
GROUP 1-e.....	\$ 31.34	23.20
GROUP 1-f.....	\$ 31.37	23.20
GROUP 2.....	\$ 30.64	23.20
GROUP 3.....	\$ 30.54	23.20
GROUP 4.....	\$ 24.23	23.20

See groups 1-b and 1-d under laborer classifications.

LABORER (GARDENERS, HORTICULTURAL & LANDSCAPE LABORERS - AREA A:)

(1) New Construction.....	\$ 30.54	23.20
(2) Establishment Warranty		
Period.....	\$ 24.23	23.20

LABORER (GUNITE - AREA A:)		
GROUP 1.....	\$ 30.75	22.31
GROUP 2.....	\$ 30.25	22.31
GROUP 3.....	\$ 29.66	22.31
GROUP 4.....	\$ 29.54	22.31

FOOTNOTES:

Laborers working off or with or from bos'n chairs, swinging scaffolds, belts shall receive \$0.25 per hour above the applicable wage rate. This shall not apply to workers entitled to receive the wage rate set forth in Group 1-a below.

LABORER CLASSIFICATIONS

CONSTRUCTION SPECIALIST GROUP: Asphalt ironer and raker; Chainsaw; Laser beam in connection with laborers' work; Cast-in- place manhole form setter; Pressure pipelayer; Davis trencher - 300 or similar type (and all small trenchers); Blaster; Diamond driller; Multiple unit drill; Hydraulic drill

GROUP 1: Asphalt spreader boxes (all types); Barko, Wacker and similar type tampers; Buggymobile; Caulker, bander, pipewrapper, conduit layer, plastic pipelayer; Certified hazardous waste worker including Leade Abatement; Compactors of all types; Concrete and magnesite mixer, 1/2 yd. and under; Concrete pan work; Concrete sander; Concrete

saw; Cribber and/or shoring; Cut granite curb setter; Dri-pak-it machine; Faller, logloader and bucket; Form raiser, slip forms; Green cutter; Headerboard, Hubsetter, aligner, by any method; High pressure blow pipe (1-1/2" or over, 100 lbs. pressure/over); Hydro seeder and similar type; Jackhammer operator; Jacking of pipe over 12 inches; Jackson and similar type compactor; Kettle tender, pot and worker applying asphalt, lay-kold, creosote, lime, caustic and similar type materials (applying means applying, dipping or handling of such materials); Lagging, sheeting, whaling, bracing, trenchjacking, lagging hammer; Magnesite, epoxyresin, fiberglass, mastic worker (wet or dry); No joint pipe and stripping of same, including repair of voids; Pavement breaker and spader, including tool grinder; Perma curb; Pipelayer (including grade checking in connection with pipelaying); Precast-manhole setter; Pressure pipe tester; Post hole digger, air, gas and electric; Power broom sweeper; Power tampers of all types (except as shown in Group 2); Ram set gun and stud gun; Riprap stonepaver and rock-slinger, including placing of sacked concrete and/or sand (wet or dry) and gabions and similar type; Rotary scarifier or multiple head concrete chipping scarifier; Roto and Ditch Witch; Rototiller; Sandblaster, pot, gun, nozzle operators; Signalling and rigging; Tank cleaner; Tree climber; Turbo blaster; Vibrascreed, bull float in connection with laborers' work; Vibrator; Hazardous waste worker (lead removal); Asbestos and mold removal worker

GROUP 1-a: Joy drill model TWM-2A; Gardner-Denver model DH143

and similar type drills; Track driller; Jack leg driller; Wagon driller; Mechanical drillers, all types regardless of type or method of power; Mechanical pipe layers, all types regardless of type or method of power; Blaster and powder; All work of loading, placing and blasting of all powder and explosives of whatever type regardless of method used for such loading and placing; High scalars (including drilling of same); Tree topper; Bit grinder

GROUP 1-b: Sewer cleaners shall receive \$4.00 per day above Group 1 wage rates. "Sewer cleaner" means any worker who handles or comes in contact with raw sewage in small diameter sewers. Those who work inside recently active, large diameter sewers, and all recently active sewer manholes shall receive \$5.00 per day above Group 1 wage rates.

GROUP 1-c: Burning and welding in connection with laborers' work; Synthetic thermoplastics and similar type welding

GROUP 1-d: Maintenance and repair track and road beds. All employees performing work covered herein shall receive \$.25 per hour above their regular rate for all work performed on underground structures not specifically covered herein. This paragraph shall not be construed to apply to work below ground level in open cut. It shall apply to cut and cover work of subway construction after the temporary cover has been placed.

GROUP 1-e: Work on and/or in bell hole footings and shafts thereof, and work on and in deep footings. (A deep footing is a hole 15 feet or more in depth.) In the event the depth of the footing is unknown at the commencement of excavation, and the final depth exceeds 15 feet, the deep footing wage rate would apply to all employees for each and every day worked on or in the excavation of the footing from the date of inception.

GROUP 1-f: Wire winding machine in connection with guniting or shot crete

GROUP 2: Asphalt shoveler; Cement dumper and handling dry cement or gypsum; Choke-setter and rigger (clearing work); Concrete bucket dumper and chute; Concrete chipping and grinding; Concrete laborer (wet or dry); Driller tender, chuck tender, nipper; Guinea chaser (stake), grout crew; High pressure nozzle, adductor; Hydraulic monitor (over 100 lbs. pressure); Loading and unloading, carrying and hauling of all rods and materials for use in reinforcing concrete construction; Pittsburgh chipper and similar type brush shredders; Sloper; Single foot, hand-held, pneumatic tamper; All pneumatic, air, gas and electric tools not listed in Groups 1 through 1-f; Jacking of pipe - under 12 inches

GROUP 3: Construction laborers, including bridge and general laborer; Dump, load spotter; Flag person; Fire watcher; Fence erector; Guardrail erector; Gardener, horticultural and landscape laborer; Jetting; Limber, brush loader and piler; Pavement marker (button setter); Maintenance, repair track and road beds; Streetcar and railroad construction track laborer; Temporary air and water lines, Victaulic or similar; Tool room attendant (jobsite only)

GROUP 4: Final clean-up work of debris, grounds and building including but not limited to: street cleaner; cleaning and washing windows; brick cleaner (jobsite only); material cleaner (jobsite only). The classification "material cleaner" is to be utilized under the following conditions:
 A: at demolition site for the salvage of the material.
 B: at the conclusion of a job where the material is to be salvaged and stocked to be reused on another job.

C: for the cleaning of salvage material at the jobsite or temporary jobsite yard.

The material cleaner classification should not be used in the performance of "form stripping, cleaning and oiling and moving to the next point of erection".

 GUNITE LABORER CLASSIFICATIONS

GROUP 1: Structural Nozzleman

GROUP 2: Nozzleman, Gunman, Potman, Groundman

GROUP 3: Reboundman

GROUP 4: Gunite laborer

WRECKING WORK LABORER CLASSIFICATIONS

GROUP 1: Skilled wrecker (removing and salvaging of sash, windows and materials)

GROUP 2: Semi-skilled wrecker (salvaging of other building materials)

LABO0261-015 07/01/2018

	Rates	Fringes
Plasterer tender.....	\$ 32.02	23.00

Work on a swing stage scaffold: \$1.00 per hour additional.

LABO0324-004 06/25/2018

NAPA, SOLANO, AND SONOMA, COUNTIES

	Rates	Fringes
LABORER (TRAFFIC CONTROL/LANE CLOSURE)		
Escort Driver, Flag Person..	\$ 29.54	23.65
Traffic Control Person I....	\$ 29.84	23.65
Traffic Control Person II....	\$ 27.34	23.65

TRAFFIC CONTROL PERSON I: Layout of traffic control, crash cushions, construction area and roadside signage.

TRAFFIC CONTROL PERSON II: Installation and removal of temporary/permanent signs, markers, delineators and crash cushions.

LABO0324-008 06/25/2018

NAPA, SOLANO, AND SONOMA COUNTIES

	Rates	Fringes
Tunnel and Shaft Laborers:		
GROUP 1.....	\$ 37.82	24.11
GROUP 2.....	\$ 37.59	24.11
GROUP 3.....	\$ 37.34	24.11
GROUP 4.....	\$ 36.89	24.11

GROUP 5.....	\$ 36.35	24.11
Shotcrete Specialist.....	\$ 38.34	24.11

LABORER (WRECKING - AREA B):		
GROUP 1.....	\$ 29.79	23.20
GROUP 2.....	\$ 29.64	23.20

TUNNEL AND SHAFT CLASSIFICATIONS

GROUP 1: Diamond driller; Groundmen; Gunite and shotcrete nozzlemen

GROUP 2: Rodmen; Shaft work & raise (below actual or excavated ground level)

GROUP 3: Bit grinder; Blaster, driller, powdermen, heading; Cherry pickermen - where car is lifted; Concrete finisher in tunnel; Concrete screedman; Grout pumpman and potman; Gunite & shotcrete gunman & potman; Headermen; High pressure nozzleleman; Miner - tunnel, including top and bottom man on shaft and raise work; Nipper; Nozzleman on slick line; Sandblaster - potman, Robotic Shotcrete Placer, Segment Erector, Tunnel Muck Hauler, Steel Form raiser and setter; Timberman, retimberman (wood or steel or substitute materials therefore); Tugger (for tunnel laborer work); Cable tender; Chuck tender; Powderman - primer house

GROUP 4: Vibrator operator, pavement breaker; Bull gang - muckers, trackmen; Concrete crew - includes rodding and spreading, Dumpmen (any method)

GROUP 5: Grout crew; Reboundman; Swamper/ Brakeman

LABO0324-010 07/01/2018

SOLANO AND SONOMA COUNTIES

	Rates	Fringes
LABORER		
Mason Tender-Brick.....	\$ 31.45	22.20

LABO0324-013 06/25/2018

NAPA, SOLANO, AND SONOMA COUNTIES

	Rates	Fringes
LABORER (CONSTRUCTION CRAFT LABORERS - AREA B:)		
Construction Specialist		
Group.....	\$ 30.49	23.20
GROUP 1.....	\$ 29.79	23.20
GROUP 1-a.....	\$ 30.01	23.20
GROUP 1-c.....	\$ 29.84	23.20
GROUP 1-e.....	\$ 30.34	23.20
GROUP 1-f.....	\$ 29.37	23.20
GROUP 2.....	\$ 29.64	23.20
GROUP 3.....	\$ 29.54	23.20
GROUP 4.....	\$ 23.23	23.20
See groups 1-b and 1-d under laborer classifications.		
LABORER (GARDENERS, HORTICULTURAL & LANDSCAPE LABORERS - AREA B:)		
(1) New Construction.....	\$ 29.54	23.20
(2) Establishment Warranty		
Period.....	\$ 23.23	23.20
LABORER (GUNITE - AREA B:)		
GROUP 1.....	\$ 29.75	22.31
GROUP 2.....	\$ 29.25	22.31
GROUP 3.....	\$ 28.66	22.31
GROUP 4.....	\$ 28.54	22.31

FOOTNOTES:

Laborers working off or with or from bos'n chairs, swinging scaffolds, belts shall receive \$0.25 per hour above the applicable wage rate. This shall not apply to workers entitled to receive the wage rate set forth in Group 1-a below.

LABORER CLASSIFICATIONS

CONSTRUCTION SPECIALIST GROUP: Asphalt ironer and raker; Chainsaw; Laser beam in connection with laborers' work; Cast-in- place manhole form setter; Pressure pipelayer; Davis trencher - 300 or similar type (and all small trenchers); Blaster; Diamond driller; Multiple unit drill; Hydraulic drill

GROUP 1: Asphalt spreader boxes (all types); Barko, Wacker and similar type tampers; Buggymobile; Caulker, bander, pipewrapper, conduit layer, plastic pipelayer; Certified hazardous waste worker including Leade Abatement; Compactors of all types; Concrete and magnesite mixer, 1/2 yd. and under; Concrete pan work; Concrete sander; Concrete saw; Cribber and/or shoring; Cut granite curb setter; Dri-pak-it machine; Faller, logloader and bucket; Form raiser, slip forms; Green cutter; Headerboard, Hubsetter, aligner, by any method; High pressure blow pipe (1-1/2" or over, 100 lbs. pressure/over); Hydro seeder and similar type; Jackhammer operator; Jacking of pipe over 12 inches; Jackson and similar type compactor; Kettle tender, pot and worker applying asphalt, lay-kold, creosote, lime, caustic and similar type materials (applying means applying, dipping or handling of such materials); Lagging, sheeting, whaling, bracing, trenchjacking, lagging hammer; Magnesite, epoxyresin, fiberglass, mastic worker (wet or dry); No joint pipe and stripping of same, including repair of voids; Pavement breaker and spader, including tool grinder; Perma curb; Pipelayer (including grade checking in connection with pipelaying); Precast-manhole setter; Pressure pipe tester; Post hole digger, air, gas and electric; Power broom sweeper; Power tampers of all types (except as shown in Group 2); Ram set gun and stud gun; Riprap stonepaver and rock-slinger, including placing of sacked concrete and/or sand (wet or dry) and gabions and similar type; Rotary scarifier or multiple head concrete chipping scarifier; Roto and Ditch Witch; Rototiller; Sandblaster, pot, gun, nozzle operators; Signalling and rigging; Tank cleaner; Tree climber; Turbo blaster; Vibrascreed, bull float in connection with laborers' work; Vibrator; Hazardous waste worker (lead removal); Asbestos and mold removal worker

GROUP 1-a: Joy drill model TWM-2A; Gardner-Denver model DH143

and similar type drills; Track driller; Jack leg driller; Wagon driller; Mechanical drillers, all types regardless of type or method of power; Mechanical pipe layers, all types regardless of type or method of power; Blaster and powder; All work of loading, placing and blasting of all powder and explosives of whatever type regardless of method used for such loading and placing; High scalers (including drilling of same); Tree topper; Bit grinder

GROUP 1-b: Sewer cleaners shall receive \$4.00 per day above

Group 1 wage rates. "Sewer cleaner" means any worker who handles or comes in contact with raw sewage in small diameter sewers. Those who work inside recently active, large diameter sewers, and all recently active sewer manholes shall receive \$5.00 per day above Group 1 wage rates.

GROUP 1-c: Burning and welding in connection with laborers' work; Synthetic thermoplastics and similar type welding

GROUP 1-d: Maintenance and repair track and road beds.

All employees performing work covered herein shall receive \$.25 per hour above their regular rate for all work performed on underground structures not specifically covered herein. This paragraph shall not be construed to apply to work below ground level in open cut. It shall apply to cut and cover work of subway construction after the temporary cover has been placed.

GROUP 1-e: Work on and/or in bell hole footings and shafts thereof, and work on and in deep footings. (A deep footing is a hole 15 feet or more in depth.) In the event the depth of the footing is unknown at the commencement of excavation, and the final depth exceeds 15 feet, the deep footing wage rate would apply to all employees for each and every day worked on or in the excavation of the footing from the date of inception.

GROUP 1-f: Wire winding machine in connection with guniting or shot crete

GROUP 2: Asphalt shoveler; Cement dumper and handling dry

cement or gypsum; Choke-setter and rigger (clearing work); Concrete bucket dumper and chute; Concrete chipping and grinding; Concrete laborer (wet or dry); Driller tender, chuck tender, nipper; Guinea chaser (stake), grout crew; High pressure nozzle, adductor; Hydraulic monitor (over 100 lbs. pressure); Loading and unloading, carrying and hauling of all rods and materials for use in reinforcing concrete construction; Pittsburgh chipper and similar type brush shredders; Sloper; Single foot, hand-held, pneumatic tamper; All pneumatic, air, gas and electric tools not listed in Groups 1 through 1-f; Jacking of pipe - under 12 inches

GROUP 3: Construction laborers, including bridge and general

laborer; Dump, load spotter; Flag person; Fire watcher; Fence erector; Guardrail erector; Gardener, horticultural and landscape laborer; Jetting; Limber, brush loader and piler; Pavement marker (button setter); Maintenance, repair track and road beds; Streetcar and railroad construction track laborer; Temporary air and water lines, Victaulic or similar; Tool room attendant (jobsite only)

GROUP 4: Final clean-up work of debris, grounds and building

including but not limited to: street cleaner; cleaning and washing windows; brick cleaner (jobsite only); material cleaner (jobsite only). The classification "material cleaner" is to be utilized under the following conditions:

A: at demolition site for the salvage of the material.

B: at the conclusion of a job where the material is to be salvaged and stocked to be reused on another job.

C: for the cleaning of salvage material at the jobsite or temporary jobsite yard.

The material cleaner classification should not be used in the performance of "form stripping, cleaning and oiling and moving to the next point of erection".

GUNITE LABORER CLASSIFICATIONS

GROUP 1: Structural Nozzleman

GROUP 2: Nozzleman, Gunman, Potman, Groundman

GROUP 3: Reboundman

GROUP 4: Gunite laborer

WRECKING WORK LABORER CLASSIFICATIONS

GROUP 1: Skilled wrecker (removing and salvaging of sash, windows and materials)

GROUP 2: Semi-skilled wrecker (salvaging of other building materials)

LABO0324-019 07/01/2018

	Rates	Fringes
Plasterer tender.....	\$ 32.02	23.00

Work on a swing stage scaffold: \$1.00 per hour additional.

PAIN0016-004 01/01/2018

MARIN, NAPA, SOLANO & SONOMA COUNTIES

	Rates	Fringes
Painters:.....	\$ 40.62	23.83

PREMIUMS:

EXOTIC MATERIALS - \$0.75 additional per hour.

SPRAY WORK: - \$0.50 additional per hour.

INDUSTRIAL PAINTING - \$0.25 additional per hour

[Work on industrial buildings used for the manufacture and processing of goods for sale or service; steel construction (bridges), stacks, towers, tanks, and similar structures]

HIGH WORK:

over 50 feet - \$2.00 per hour additional

100 to 180 feet - \$4.00 per hour additional

Over 180 feet - \$6.00 per hour additional

PAIN0016-005 01/01/2018

ALPINE, BUTTE, COLUSA, EL DORADO (west of the Sierra Nevada Mountains), GLENN, LASSEN (west of Hwy. 395, excluding Honey Lake); MARIN, MODOC, NAPA, NEVADA (west of the Sierra Nevada Mountains), PLACER (west of the Sierra Nevada Mountains),

PLUMAS, SACRAMENTO, SHASTA, SIERRA (west of the Sierra Nevada Mountains), SISKIYOU, SOLANO, SONOMA, SUTTER, TEHAMA, TRINITY, YOLO AND YUBA COUNTIES

	Rates	Fringes
DRYWALL FINISHER/TAPER.....	\$ 41.03	25.34

PAIN0016-007 01/01/2018

ALPINE, AMADOR, BUTTE, COLUSA, EL DORADO (west of the Sierra Nevada Mountains), GLENN, LASSEN (west of Highway 395, excluding Honey Lake), MODOC, NEVADA (west of the Sierra Nevada Mountains), PLACER (west of the Sierra Nevada Mountains), PLUMAS, SACRAMENTO, SHASTA, SIERRA (west of the Sierra Nevada Mountains), SISKIYOU, SUTTER, TEHAMA, TRINITY, YOLO & YUBA COUNTIES

	Rates	Fringes
Painters:.....	\$ 32.91	19.26

SPRAY/SANDBLAST: \$0.50 additional per hour.
EXOTIC MATERIALS: \$1.00 additional per hour.
HIGH TIME: Over 50 ft above ground or water level \$2.00 additional per hour. 100 to 180 ft above ground or water level \$4.00 additional per hour. Over 180 ft above ground or water level \$6.00 additional per hour.

* PAIN0016-008 01/01/2019

MARIN, NAPA, SOLANO AND SONOMA COUNTIES

	Rates	Fringes
SOFT FLOOR LAYER.....	\$ 48.60	27.43

PAIN0169-004 07/01/2018

MARIN, NAPA & SONOMA COUNTIES; SOLANO COUNTY (west of a line defined as follows: Hwy. 80 corridor beginning at the City of Fairfield, including Travis Air Force Base and Suisun City; going north of Manakas Corner Rd., continue north on Suisun Valley Rd. to the Napa County line; Hwy. 80 corridor south on Grizzly Island Rd. to the Grizzly Island Management area)

	Rates	Fringes
GLAZIER.....	\$ 49.13	28.09

* PAIN0567-001 07/01/2018

EL DORADO COUNTY (east of the Sierra Nevada Mountains); LASSEN COUNTY (east of Highway 395, beginning at Stacey and including Honey Lake); NEVADA COUNTY (east of the Sierra Nevada Mountains); PLACER COUNTY (east of the Sierra Nevada

Mountains); AND SIERRA COUNTY (east of the Sierra Nevada Mountains)

	Rates	Fringes
Painters:		
Brush and Roller.....	\$ 26.70	13.04
Spray Painter & Paperhanger.	\$ 28.04	13.04

PREMIUMS:

Special Coatings (Brush), and Sandblasting = \$0.50/hr
Special Coatings (Spray), and Steeplejack = \$1.00/hr
Special Coating Spray Steel = \$1.25/hr
Swing Stage = \$2.00/hr

*A special coating is a coating that requires the mixing of 2 or more products.

PAIN0567-007 07/01/2018

EL DORADO COUNTY (east of the Sierra Nevada Mountains); LASSEN COUNTY (east of Highway 395, beginning at Stacey and including Honey Lake); NEVADA COUNTY (east of the Sierra Nevada Mountains); PLACER COUNTY (east of the Sierra Nevada Mountains) AND SIERRA COUNTY (east of the Sierra Nevada Mountains)

	Rates	Fringes
SOFT FLOOR LAYER.....	\$ 29.10	13.14

PAIN0567-010 07/01/2018

EL DORADO COUNTY (east of the Sierra Nevada Mountains); LASSEN COUNTY (east of Highway 395, beginning at Stacey and including Honey Lake); NEVADA COUNTY (east of the Sierra Nevada Mountains); PLACER COUNTY (east of the Sierra Nevada Mountains); AND SIERRA COUNTY (east of the Sierra Nevada Mountains)

	Rates	Fringes
Drywall		
(1) Taper.....	\$ 31.82	13.04
(2) Steeplejack - Taper, over 40 ft with open space below.....	\$ 33.32	13.04

PAIN0767-004 07/01/2018

ALPINE, AMADOR, BUTTE, COLUSA, EL DORADO, GLENN, LASSEN, MODOC, NEVADA, PLACER, PLUMAS, SACRAMENTO, SHASTA, SIERRA, SISKIYOU, SOLANO (Remainder), SUTTER, TEHAMA, TRINITY, YOLO, YUBA

	Rates	Fringes
--	-------	---------

GLAZIER.....\$ 37.57 28.30

PAID HOLIDAYS: New Year's Day, Martin Luther King, Jr. Day, President's Day, Memorial Day, Independence Day, Labor Day, Veteran's Day, Thanksgiving Day, and Christmas Day.

Employee required to wear a body harness shall receive \$1.50 per hour above the basic hourly rate at any elevation.

PAIN1176-001 01/01/2017

HIGHWAY IMPROVEMENT

Rates Fringes

Parking Lot Striping/Highway Marking:

GROUP 1.....\$ 34.41 16.31
GROUP 2.....\$ 29.25 16.31
GROUP 3.....\$ 29.59 16.31

CLASSIFICATIONS

GROUP 1: Striper: Layout and application of painted traffic stripes and marking; hot thermo plastic; tape, traffic stripes and markings

GROUP 2: Gamecourt & Playground Installer

GROUP 3: Protective Coating, Pavement Sealing

PAIN1237-001 10/01/2018

ALPINE; COLUSA; EL DORADO (west of the Sierra Nevada Mountains); GLENN; LASSEN (west of Highway 395, beginning at Stacey and including Honey Lake); MODOC; NEVADA (west of the Sierra Nevada Mountains); PLACER (west of the Sierra Nevada Mountains); PLUMAS; SACRAMENTO; SHASTA; SIERRA (west of the Sierra Nevada Mountains); SISKIYOU; SUTTER; TEHAMA; TRINITY; YOLO AND YUBA COUNTIES

Rates Fringes

SOFT FLOOR LAYER.....\$ 36.81 21.51

PLAS0300-003 07/01/2018

Rates Fringes

PLASTERER

AREA 295: Alpine, Amador, Butte, Colusa, El Dorado, Glenn, Lassen, Modoc, Nevada, Placer, Plumas, Sacramento, Shasta, Sierra, Siskiyou, Solano, Sutter, Tehema, Trinity, Yolo & Yuba Counties.....\$ 32.70 31.68
AREA 355: Marin.....\$ 36.73 31.68
AREA 355: Napa & Sonoma

Counties.....\$ 32.70 31.68

PLAS0300-005 07/01/2017

Rates Fringes

CEMENT MASON/CONCRETE FINISHER...\$ 33.49 23.67

PLUM0038-002 07/01/2018

MARIN AND SONOMA COUNTIES

Rates Fringes

PLUMBER (Plumber, Steamfitter, Refrigeration Fitter)

(1) Work on wooden frame structures 5 stories or less excluding high-rise buildings and commercial work such as hospitals, prisons, hotels, schools, casinos, wastewater treatment plants, and research facilities as well as refrigeration pipefitting, service and repair work - MARKET RECOVERY RATE.....\$ 72.00 41.94
(2) All other work - NEW CONSTRUCTION RATE.....\$ 72.00 41.94

PLUM0038-006 07/01/2018

MARIN & SONOMA COUNTIES

Rates Fringes

Landscape/Irrigation Fitter (Underground/Utility Fitter).....\$ 61.20 30.17

PLUM0228-001 01/01/2019

BUTTE, COLUSA, GLENN, LASSEN, MODOC, PLUMAS, SHASTA, SIERRA, SISKIYOU, SUTTER, TEHAMA, TRINITY & YUBA COUNTIES

Rates Fringes

PLUMBER.....\$ 40.00 31.89

PLUM0343-001 01/01/2019

NAPA AND SOLANO COUNTIES

Rates Fringes

PLUMBER/PIPEFITTER

Light Commercial.....\$ 30.85 20.40
All Other Work.....\$ 51.00 38.50

DEFINITION OF LIGHT COMMERCIAL:

Work shall include strip shopping centers, office buildings, schools and other commercial structures which the total plumbing bid does not exceed Two Hundred and Fifty Thousand (\$250,000) and the total heating and cooling does not

exceed Two Hundred Fifty Thousand (\$250,000); or Any projects bid in phases shall not qualify unless the total project is less than Two Hundred Fifty Thousand (\$250,000) for the plumbing bid; and Two Hundred Fifty Thousand (\$250,000) for the heating and cooling bid. Excluded are hospitals, jails, institutions and industrial projects, regardless size of the project

FOOTNOTES: While fitting galvanized material: \$.75 per hour additional. Work from trusses, temporary staging, unguarded structures 35' from the ground or water: \$.75 per hour additional. Work from swinging scaffolds, boatswains chairs or similar devices: \$.75 per hour additional.

 PLUM0350-001 08/01/2018

EL DORADO COUNTY (Lake Tahoe area only); NEVADA COUNTY (Lake Tahoe area only); AND PLACER COUNTY (Lake Tahoe area only)

	Rates	Fringes
PLUMBER/PIPEFITTER.....	\$ 42.84	13.81

 PLUM0355-001 07/01/2018

ALPINE, AMADOR, BUTTE, COLUSA, EL DORADO, GLENN, LASSEN, MODOC, NAPA, NEVADA, PLACER, PLUMAS, SACRAMENTO, SHASTA, SIERRA, SISKIYOU, SOLANO, SUTTER, TEHAMA, TRINITY, YOLO, AND YUBA COUNTIES

	Rates	Fringes
Underground Utility Worker /Landscape Fitter.....	\$ 27.10	16.30

 PLUM0442-003 01/01/2019

AMADOR (South of San Joaquin River) and ALPINE COUNTIES

	Rates	Fringes
PLUMBER.....	\$ 42.25	30.64

 PLUM0447-001 07/01/2017

AMADOR (north of San Joaquin River), EL DORADO (excluding Lake Tahoe area), NEVADA (excluding Lake Tahoe area); PLACER (excluding Lake Tahoe area), SACRAMENTO AND YOLO COUNTIES

	Rates	Fringes
PLUMBER/PIPEFITTER		
Journeyman.....	\$ 48.37	24.00
Light Commercial Work.....	\$ 36.23	17.72

 ROOF0081-006 08/01/2018

MARIN, NAPA, SOLANO AND SONOMA COUNTIES

Safety Countermeasures at Various Locations
CIP No. 49320, Contract No. 3630
 February 5, 2019

Rates Fringes

Roofer.....	\$ 39.40	17.58
-------------	----------	-------

 ROOF0081-007 08/01/2018

ALPINE, BUTTE, COLUSA, EL DORADO, GLENN, LASSEN, MODOC, NEVADA, PLACER, PLUMAS, SACRAMENTO, SHASTA, SIERRA, SISKIYOU, SUTTER, TEHAMA, TRINITY, YOLO, AND YUBA COUNTIES

Rates Fringes

Roofer.....	\$ 36.57	18.23
-------------	----------	-------

 SFCA0483-003 07/01/2018

MARIN, NAPA, SOLANO AND SONOMA COUNTIES

Rates Fringes

SPRINKLER FITTER (Fire Sprinklers).....	\$ 63.87	30.62
---	----------	-------

 SFCA0669-003 04/01/2017

ALPINE, BUTTE, COLUSA, EL DORADO, GLENN, LASSEN, MODOC, NEVADA, PLACER, PLUMAS, SACRAMENTO, SHASTA, SIERRA, SISKIYOU, SUTTER, TEHAMA, TRINITY, YOLO AND YUBA COUNTIES

Rates Fringes

SPRINKLER FITTER.....	\$ 37.20	15.84
-----------------------	----------	-------

 SHEE0104-006 07/02/2018

MARIN, NAPA, SOLANO SONOMA & TRINITY COUNTIES

Rates Fringes

Sheet Metal Worker		
Mechanical Contracts		
\$200,000 or less.....	\$ 51.87	37.19
All other work.....	\$ 59.11	38.54

 SHEE0104-009 07/01/2018

AMADOR, COLUSA, EL DORADO, NEVADA, PLACER, SACRAMENTO, SUTTER, YOLO AND YUBA COUNTIES

Rates Fringes

SHEET METAL WORKER.....	\$ 42.91	34.45
-------------------------	----------	-------

 SHEE0104-010 07/01/2018

ALPINE COUNTY

Rates Fringes

SHEET METAL WORKER.....	\$ 40.34	32.80
-------------------------	----------	-------

County of El Dorado
Agreement
 Page C-51 REV

SHEE0104-011 07/01/2018

BUTTE, COLUSA, EL DORADO, GLENN, LASSEN, MODOC, NEVADA, PLACER, PLUMAS, SACRAMENTO, SHASTA, SIERRA, SISKIYOU, SUTTER, TEHAMA, YOLO AND YUBA COUNTIES

	Rates	Fringes
Sheet Metal Worker (Metal decking and siding only).....	\$ 39.93	32.70

SHEE0104-014 07/01/2017

MARIN, NAPA, SOLANO, SONOMA AND TRINITY COUNTIES

	Rates	Fringes
SHEET METAL WORKER (Metal Decking and Siding only).....	\$ 37.53	32.10

SHEE0104-019 07/01/2018

BUTTE, GLENN, LASSEN, MODOC, PLUMAS, SHASTA, SIERRA, SISKIYOU AND TEHAMA COUNTIES

	Rates	Fringes
SHEET METAL WORKER Mechanical Jobs \$200,000 & under.....	\$ 32.21	32.29
Mechanical Jobs over \$200,000.....	\$ 42.91	34.43

TEAM0094-001 07/01/2018

	Rates	Fringes
Truck drivers:		
GROUP 1.....	\$ 31.68	27.86
GROUP 2.....	\$ 31.98	27.86
GROUP 3.....	\$ 32.28	27.86
GROUP 4.....	\$ 32.63	27.86
GROUP 5.....	\$ 32.98	27.86

FOOTNOTES:

Articulated dump truck; Bulk cement spreader (with or without auger); Dumpcrete truck; Skid truck (debris box); Dry pre-batch concrete mix trucks; Dumpster or similar type; Slurry truck: Use dump truck yardage rate. Heater planer; Asphalt burner; Scarifier burner; Industrial lift truck (mechanical tailgate); Utility and clean-up truck: Use appropriate rate for the power unit or the equipment utilized.

TRUCK DRIVER CLASSIFICATIONS

GROUP 1: Dump trucks, under 6 yds.; Single unit flat rack (2-axle unit); Nipper truck (when flat rack truck is used appropriate flat rack shall apply); Concrete pump truck (when flat rack truck is used appropriate flat rack shall apply); Concrete pump machine; Fork lift and lift jitneys; Fuel and/or grease truck driver or fuel person; Snow buggy; Steam cleaning; Bus or personhaul driver; Escort or pilot

car driver; Pickup truck; Teamster oiler/greaser and/or serviceperson; Hook tender (including loading and unloading); Team driver; Tool room attendant (refineries)

GROUP 2: Dump trucks, 6 yds. and under 8 yds.; Transit mixers, through 10 yds.; Water trucks, under 7,000 gals.; Jetting trucks, under 7,000 gals.; Single-unit flat rack (3-axle unit); Highbed heavy duty transport; Scissor truck; Rubber-tired muck car (not self-loaded); Rubber-tired truck jumbo; Winch truck and "A" frame drivers; Combination winch truck with hoist; Road oil truck or bootperson; Buggymobile; Ross, Hyster and similar straddle carriers; Small rubber-tired tractor

GROUP 3: Dump trucks, 8 yds. and including 24 yds.; Transit mixers, over 10 yds.; Water trucks, 7,000 gals. and over; Jetting trucks, 7,000 gals. and over; Vacuum trucks under 7500 gals. Trucks towing tilt bed or flat bed pull trailers; Lowbed heavy duty transport; Heavy duty transport tiller person; Self-propelled street sweeper with self-contained refuse bin; Boom truck - hydro-lift or Swedish type extension or retracting crane; P.B. or similar type self-loading truck; Tire repairperson; Combination bootperson and road oiler; Dry distribution truck (A bootperson when employed on such equipment, shall receive the rate specified for the classification of road oil trucks or bootperson); Ammonia nitrate distributor, driver and mixer; Snow Go and/or plow

GROUP 4: Dump trucks, over 25 yds. and under 65 yds.; Water pulls - DW 10's, 20's, 21's and other similar equipment when pulling Aqua/pak or water tank trailers; Helicopter pilots (when transporting men and materials); Lowbed Heavy Duty Transport up to including 7 axles; DW10's, 20's, 21's and other similar Cat type, Terra Cobra, LeTourneau Pulls, Tournorocker, Euclid and similar type equipment when pulling fuel and/or grease tank trailers or other miscellaneous trailers; Vacuum Trucks 7500 gals and over and truck repairman

GROUP 5: Dump trucks, 65 yds. and over; Holland hauler; Low bed Heavy Duty Transport over 7 axles

WELDERS - Receive rate prescribed for craft performing operation to which welding is incidental.

Note: Executive Order (EO) 13706, Establishing Paid Sick Leave for Federal Contractors applies to all contracts subject to the Davis-Bacon Act for which the contract is awarded (and any solicitation was issued) on or after January 1, 2017. If this contract is covered by the EO, the contractor must provide employees with 1 hour of paid sick leave for every 30 hours they work, up to 56 hours of paid sick leave each year. Employees must be permitted to use paid sick leave for their own illness, injury or other health-related needs, including preventive care; to assist a family member (or person who is like family to the employee) who is ill, injured, or has other health-related needs, including preventive care; or for reasons resulting from, or to assist a family member (or person who is like family to the employee) who is a victim of, domestic violence, sexual assault, or stalking. Additional information

on contractor requirements and worker protections under the EO is available at www.dol.gov/whd/govcontracts.

Unlisted classifications needed for work not included within the scope of the classifications listed may be added after award only as provided in the labor standards contract clauses (29CFR 5.5 (a) (1) (ii)).

The body of each wage determination lists the classification and wage rates that have been found to be prevailing for the cited type(s) of construction in the area covered by the wage determination. The classifications are listed in alphabetical order of "identifiers" that indicate whether the particular rate is a union rate (current union negotiated rate for local), a survey rate (weighted average rate) or a union average rate (weighted union average rate).

Union Rate Identifiers

A four letter classification abbreviation identifier enclosed in dotted lines beginning with characters other than "SU" or "UAVG" denotes that the union classification and rate were prevailing for that classification in the survey. Example: PLUM0198-005 07/01/2014. PLUM is an abbreviation identifier of the union which prevailed in the survey for this classification, which in this example would be Plumbers. 0198 indicates the local union number or district council number where applicable, i.e., Plumbers Local 0198. The next number, 005 in the example, is an internal number used in processing the wage determination. 07/01/2014 is the effective date of the most current negotiated rate, which in this example is July 1, 2014.

Union prevailing wage rates are updated to reflect all rate changes in the collective bargaining agreement (CBA) governing this classification and rate.

Survey Rate Identifiers

Classifications listed under the "SU" identifier indicate that no one rate prevailed for this classification in the survey and the published rate is derived by computing a weighted average rate based on all the rates reported in the survey for that classification. As this weighted average rate includes all rates reported in the survey, it may include both union and non-union rates. Example: SULA2012-007 5/13/2014. SU indicates the rates are survey rates based on a weighted average calculation of rates and are not majority rates. LA indicates the State of Louisiana. 2012 is the year of survey on which these classifications and rates are based. The next number, 007 in the example, is an internal number used in producing the wage determination. 5/13/2014 indicates the survey completion date for the classifications and rates under that identifier.

Survey wage rates are not updated and remain in effect until a new survey is conducted.

Union Average Rate Identifiers

Classification(s) listed under the UAVG identifier indicate

that no single majority rate prevailed for those classifications; however, 100% of the data reported for the classifications was union data. EXAMPLE: UAVG-OH-0010 08/29/2014. UAVG indicates that the rate is a weighted union average rate. OH indicates the state. The next number, 0010 in the example, is an internal number used in producing the wage determination. 08/29/2014 indicates the survey completion date for the classifications and rates under that identifier.

A UAVG rate will be updated once a year, usually in January of each year, to reflect a weighted average of the current negotiated/CBA rate of the union locals from which the rate is based.

WAGE DETERMINATION APPEALS PROCESS

1.) Has there been an initial decision in the matter? This can be:

- * an existing published wage determination
- * a survey underlying a wage determination
- * a Wage and Hour Division letter setting forth a position on a wage determination matter
- * a conformance (additional classification and rate) ruling

On survey related matters, initial contact, including requests for summaries of surveys, should be with the Wage and Hour Regional Office for the area in which the survey was conducted

because those Regional Offices have responsibility for the Davis-Bacon survey program. If the response from this initial contact is not satisfactory, then the process described in 2.) and 3.) should be followed.

With regard to any other matter not yet ripe for the formal process described here, initial contact should be with the Branch of Construction Wage Determinations. Write to:

Branch of Construction Wage Determinations
Wage and Hour Division
U.S. Department of Labor
200 Constitution Avenue, N.W.
Washington, DC 20210

2.) If the answer to the question in 1.) is yes, then an interested party (those affected by the action) can request review and reconsideration from the Wage and Hour Administrator (See 29 CFR Part 1.8 and 29 CFR Part 7). Write to:

Wage and Hour Administrator
U.S. Department of Labor
200 Constitution Avenue, N.W.
Washington, DC 20210

The request should be accompanied by a full statement of the interested party's position and by any information (wage payment data, project description, area practice material, etc.) that the requestor considers relevant to the issue.

3.) If the decision of the Administrator is not favorable, an interested party may appeal directly to the Administrative Review Board (formerly the Wage Appeals Board). Write to:

Administrative Review Board
U.S. Department of Labor
200 Constitution Avenue, N.W.
Washington, DC 20210

4.) All decisions by the Administrative Review Board are final.

=====
=====

END OF GENERAL DECISION

**PROPOSAL PAY ITEMS AND BID PRICE SCHEDULE
SAFETY COUNTERMEASURES AT VARIOUS LOCATIONS
CIP NO. 49320, CONTRACT No. 3630**

ITEM NO.	ITEM CODE	ITEM DESCRIPTION	UNIT OF MEASURE	ESTIMATED QUANTITY	UNIT PRICE (IN FIGURES)	ITEM TOTAL (IN FIGURES)
1	070030	LEAD COMPLIANCE PLAN	LS	1		
2	080050	PROGRESS SCHEDULE (CRITICAL PATH METHOD)	LS	1		
3	120090	CONSTRUCTION AREA SIGNS	LS	1		
4	120100	TRAFFIC CONTROL SYSTEM	LS	1		
5	120149A	TEMPORARY PAVEMENT DELINEATION	LS	1		
6	128651A	PORTABLE CHANGEABLE MESSAGE SIGN	SWD	125		
7	130100	JOB SITE MANAGEMENT	LS	1		
8	130200	PREPARE WATER POLLUTION CONTROL PROGRAM	LS	1		
9	141101A	REMOVE YELLOW TRAFFIC STRIPE (HAZARDOUS WASTE)	LF	14,082		
10	149001A	PREPARE FUGITIVE DUST PLAN	LS	1		
11	170103	CLEARING AND GRUBBING	LS	1		
12	380001A	HIGH-FRICTION SURFACE TREATMENT (HFST)	SQYD	38,040		
13	820134	OBJECT MARKER (TYPE P)	EA	2		
14	8200250	REMOVE ROADSIDE SIGN	EA	5		
15	820610	RELOCATE ROADSIDE SIGN	EA	3		
16	820840	ROADSIDE SIGN – ONE POST	EA	72		

Safety Countermeasures at Various Locations
CIP No. 49320, Contract No. 3630
February 5, 2019

County of El Dorado
Proposal
Page P-3 REV

17	820900		INSTALL ROADSIDE SIGN PANEL ON EXISTING POST	EA	7		
18	840502A		4" THERMOPLASTIC TRAFFIC STRIPE (ENHANCED WET NIGHT VISIBILITY)	LF	37,018		
19	840502B		8" THERMOPLASTIC TRAFFIC STRIPE (ENHANCED WET NIGHT VISIBILITY)	LF	75		
20	840516		THERMOPLASTIC PAVEMENT MARKING (ENHANCED WET NIGHT VISIBILITY)	SQFT	60		
21	999990		MOBILIZATION	LS	1		
						Total Bid:	

(F) Final Pay Quantity
(P) Eligible for Partial Payment
(LS) Lump Sum

(NOTICE: Bidders failure to execute the questionnaires and statements contained in this proposal as required by applicable laws and regulations, or the determinations by County of El Dorado based upon those questionnaires and statements, may prohibit award of the subject Contract to the bidder.)

Attachment A

14-11.07 REMOVE YELLOW TRAFFIC STRIPE AND PAVEMENT MARKING WITH HAZARDOUS WASTE RESIDUE

14-11.07A General

14-11.07A(1) Summary

Section 14-11.07 includes specifications for removing existing yellow thermoplastic and yellow painted traffic stripe and pavement marking. The residue from the removal of this material is a Department generated hazardous waste.

Residue from removal of yellow thermoplastic and yellow painted traffic stripe and pavement marking contains lead chromate. The average lead concentration is at least 1,000 mg/kg total lead or 5 mg/l soluble lead. When applied to the roadway, the yellow thermoplastic and yellow painted traffic stripe and pavement marking contained as much as 2.6 percent lead. Residue produced from the removal of this yellow thermoplastic and yellow painted traffic stripe and pavement marking contains heavy metals in concentrations that exceed thresholds established by the Health & Safety Code and 22 CA Code of Regs.

For bidding purposes, assume the residue is not regulated under the Federal Resource Conservation and Recovery Act (RCRA), 42 USC § 6901 et seq.

Work associated with disposal of hazardous waste residue regulated under RCRA as determined by test results is change order work.

Yellow thermoplastic and yellow paint may produce toxic fumes when heated.

14-11.07A(2) Submittals

14-11.07A(2)(a) General

Reserved

14-11.07A(2)(b) Lead Compliance Plan

Submit a lead compliance plan under Section 7-1.02K(6)(j)(ii).

14-11.07A(2)(c) Work Plan

Submit a work plan for the removal, containment, storage, and disposal of yellow thermoplastic and yellow painted traffic stripe and pavement marking. The work plan must include:

1. Objective of the operation
2. Removal equipment
3. Procedures for removal and collection of yellow thermoplastic and yellow painted traffic stripe and pavement marking residue, including dust
4. Type of hazardous waste storage containers
5. Container storage location and how it will be secured
6. Hazardous waste sampling protocol and QA/QC requirements and procedures
7. Qualifications of sampling personnel

8. Analytical lab that will perform the analyses

9. DTSC registration certificate and CA Highway Patrol (CHP) Biennial Inspection of Terminals (BIT) Program compliance documentation of the hazardous waste hauler that will transport the hazardous Waste.

10. Disposal site that will accept the hazardous waste residue

Submit work plan to the Engineer within seven (7) days of Notice to Proceed with construction.

The Engineer will review the work plan within 5 business days of receipt.

Do not perform work that generates hazardous waste residue until the work plan has been authorized.

Correct any rejected work plan and resubmit a corrected work plan within 5 business days of notification by the Engineer. A new review period of 5 business days will begin from date of resubmittal.

14-11.07A(2)(d) Analytical Test Results

Submit analytical test results of the residue from removal of yellow thermoplastic and yellow painted traffic stripe and pavement marking, including chain of custody documentation, for review and acceptance before:

1. Requesting the Engineer's signature on the waste profile requested by the disposal facility
2. Requesting the Engineer obtain an US EPA Generator Identification Number for disposal
3. Removing the residue from the site.

14-11.07A(2)(e) U.S. Environmental Protection Agency Identification Number Request

Submit a request for the US EPA Generator Identification Number when the Engineer accepts analytical test results documenting that residue from removal of yellow thermoplastic and yellow painted traffic stripe and pavement marking is a hazardous waste.

14-11.07A(2)(f) Disposal Documentation

Submit documentation of proper disposal from the receiving landfill within 5 business days of residue transport from the Project.

14-11.07B Materials

Not Used

14-11.07C Construction

Where grinding or other authorized methods are used to remove yellow thermoplastic and yellow painted traffic stripe and pavement marking that will produce a hazardous waste residue, immediately contain and collect the removed residue, including dust. Use a HEPA filter-equipped vacuum attachment operated concurrently with the removal operations or other equally effective approved methods for collection of the residue.

Make necessary arrangements to test the yellow thermoplastic and yellow paint hazardous waste residue as required by the disposal facility and these Special Provisions. Testing must include:

1. Total lead by US EPA Method 6010B
2. Total chromium by US EPA Method 6010B
3. Soluble lead by California Waste Extraction Test (CA WET)
4. Soluble chromium by CA WET

5. Soluble lead by Toxicity Characteristic Leaching Procedure (TCLP)

6. Soluble chromium by TCLP

From the first 220 gal of hazardous waste or portion thereof if less than 220 gal of hazardous waste are produced, a minimum of 4 randomly selected samples must be taken and analyzed individually. Samples must not be composited. From each additional 880 gal of hazardous waste or portion thereof if less than 880 gal are produced, a minimum of 1 additional random sample must be taken and analyzed. Use chain of custody procedures consistent with chapter 9 of US EPA Test Methods for Evaluating Solid Waste, Physical/Chemical Methods (SW-846) while transporting samples from the Project to the laboratory. Each sample must be homogenized before analysis by the laboratory performing the analyses. A sample aliquot sufficient to cover the amount necessary for the total and the soluble analyses must then be taken.

This aliquot must be homogenized a 2nd time and the total and soluble analyses run on this aliquot. The homogenization process must not include grinding of the samples. Submit the name and location of the disposal facility that will be accepting the hazardous waste and the analytical laboratory along with the testing requirements not less than 5 business days before the start of removal of yellow thermoplastic and yellow painted traffic stripe and pavement marking. The analytical laboratory must be certified by the State Water Resources Control Board (SWRCB) Environmental Laboratory Accreditation Program (ELAP) for all analyses to be performed.

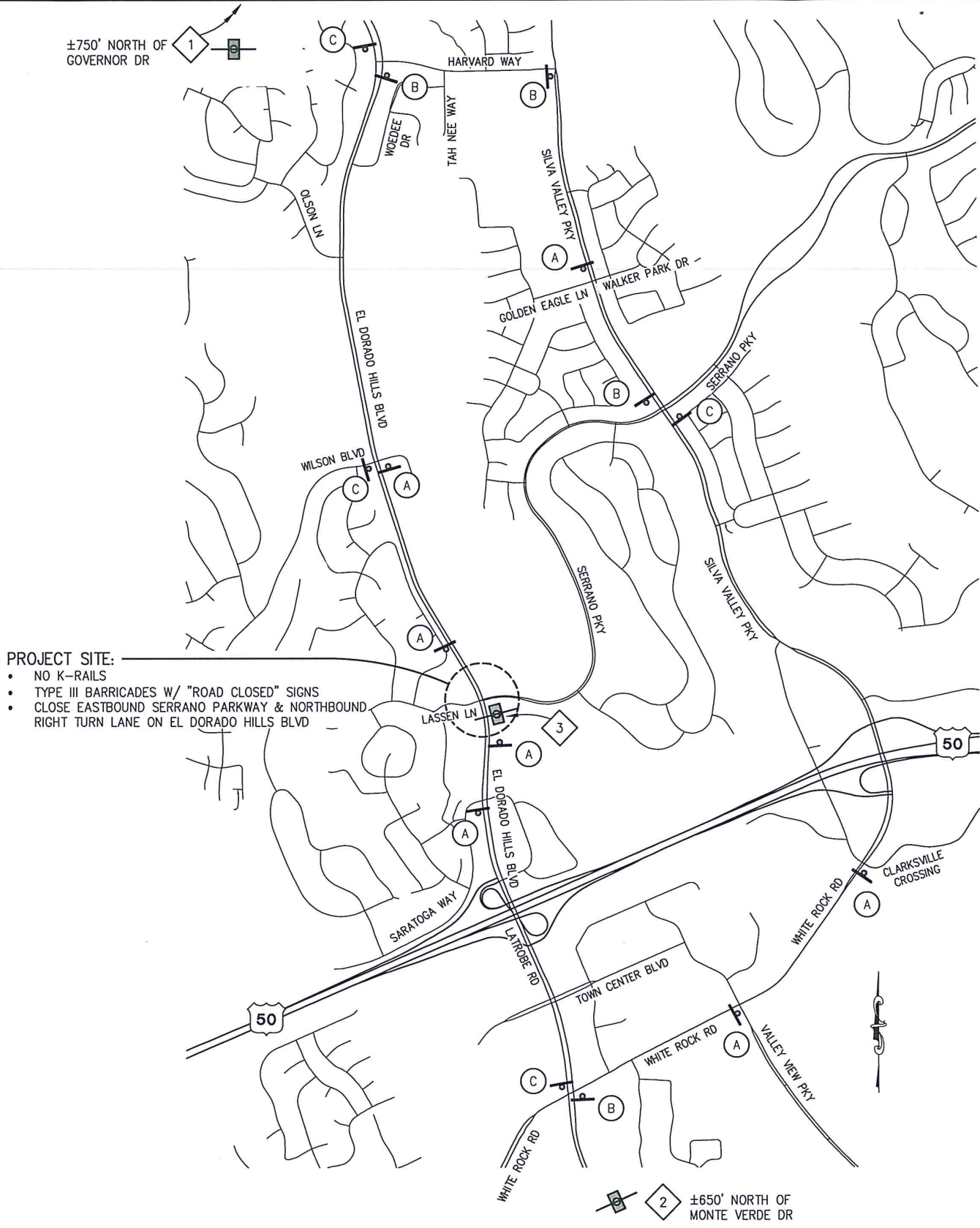
After the Engineer accepts the analytical test results, dispose of yellow thermoplastic and yellow paint hazardous waste residue at a Class 1 disposal facility located in California under the requirements of the disposal facility operator within thirty (30) days after accumulating 220 pounds of residue and dust. If less than 220 pounds of hazardous waste residue and dust is generated in total, dispose of it within thirty (30) days after the start of accumulation of the residue and dust.

The Engineer will sign all manifests as the generator within 2 business days of receiving and accepting the analytical test results and receiving your request for the US EPA Generator Identification Number. Use a transporter with a current DTSC registration certificate and that is in compliance with the CHP BIT Program when transporting hazardous waste.

14-11.07D Payment

Payment for work associated with disposal of hazardous waste will be included in pay item for Remove Yellow Traffic Stripe (Hazardous Waste).






ORIGINAL SCALE IS IN INCHES
 Drawing name: C:\Civil_3D Projects\49320 Safety Countermeasures at Various Locations\CADD Files\Exhibits\LOC13-Serrano Detour.dwg Layout Tab: DE-1 Feb 14, 2019 - 1:01pm SMcVey
 FOR REDUCED PLANS



GENERAL NOTES:

1. PCMS LOCATIONS WILL BE APPROVED BY ENGINEER IN THE FIELD
2. DETOUR SIGNS MAY BE ATTACHED TO TYPE II BARRICADES AND MUST BE PLACED PRIOR TO CLOSING THE ROAD

LEGEND

-  — PCMS — PORTABLE CHANGEABLE MESSAGE SIGN
-  — TEMPORARY SIGN
-  — (A) M4-9 SIGN, BLACK LETTERING ON ORANGE BACKGROUND (ARROW FACING UP)
-  — (B) M4-9 SIGN, BLACK LETTERING ON ORANGE BACKGROUND (ARROW FACING RIGHT)
-  — (C) M4-9 SIGN, BLACK LETTERING ON ORANGE BACKGROUND

PORTABLE CHANGEABLE MESSAGE SIGN (PCMS) TABLE				
PCMS No.	FIRST FLASH	SECOND FLASH	THIRD FLASH	LOCATION
1	NO LEFT TURN AT SERRANO	USE HARVARD WAY	SUNDAY X/X/19 7AM TO 5PM	APPROX 750 FT OF GOVERNOR DR
2	NO RIGHT TURN AT SERRANO	USE WHITE ROCK RD	SUNDAY X/X/19 7AM TO 5PM	APPROX. 650 FT NORTH OF MONTE VERDE DR
3	NO RIGHT TURN AT SERRANO	USE HARVARD WAY	SUNDAY X/X/19 7AM TO 5PM	AT SERRANO PKWY

DETOUR PLAN
SCALE : 1" = 800'

REVISION	NUMBER	DATE	DESCRIPTION	BY

PREPARED UNDER THE SUPERVISION OF :

REGISTERED CIVIL ENGINEER

DATE: _____

DESIGNED: ZO DRAWN: SGM

CHECKED: ZO DATE: 01/29/19

ROAD NUMBER: ####



COUNTY OF EL DORADO
DEPARTMENT OF TRANSPORTATION

SERRANO PARKWAY
SURFACE TREATMENT

SHEET
DE-1
1 OF 1
W.D. No. **49320**