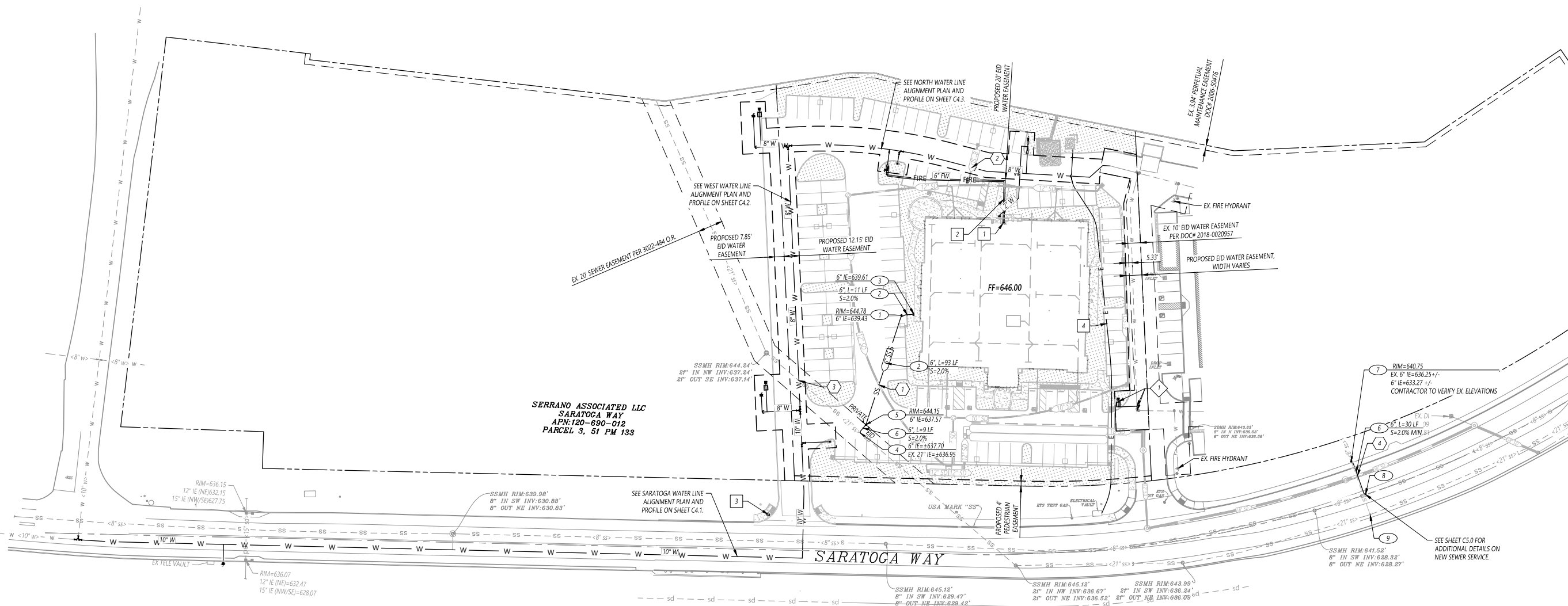


09/16/2021

REVISIONS

DELTA	DATE	DESCRIPTION
△		
△		
△		
△		
△		

IMPROVEMENT PLANS FOR
SARATOGA WAY MOB
 8105 SARATOGA WAY
 EL DORADO HILLS, CA 95762



SERRANO ASSOCIATED LLC
 SARATOGA WAY
 APN: 120-690-012
 PARCEL 3, 51 PM 133

SEWER KEY NOTES:

- INSTALL PRIVATE ONSITE SANITARY SEWER CLEANOUT PER DETAIL 4 ON SHEET C6.0.
- INSTALL 6" PRIVATE SANITARY SEWER LINE. LENGTH AND SLOPE PER PLAN. TRENCH AND BACKFILL PER DETAIL 9 ON SHEET C6.0.
- APPROXIMATE SEWER POINT OF CONNECTION TO BUILDING WITHIN 5' OF BUILDING WALL. CONFIRM LOCATION WITH PLUMBING PLANS PRIOR TO CONSTRUCTION. INVERT PER PLAN.
- CONNECT NEW 6" PUBLIC SANITARY SEWER LINE TO EXISTING 21" SANITARY SEWER LINE PER EID STANDARDS. INVERT PER PLAN. CONTRACTOR SHALL VERIFY DEPTH, SIZE AND LOCATION OF EXISTING SEWER PRIOR TO CONSTRUCTION.
- INSTALL PUBLIC SANITARY SEWER CLEANOUT PER EID STD. DWG. NO. S08.
- INSTALL 6" PUBLIC SANITARY SEWER LINE. LENGTH AND SLOPE PER PLAN. TRENCH AND BACKFILL PER EID STD. DWG. NO. S07.
- INSTALL PUBLIC SANITARY SEWER DROP CLEANOUT ON EXISTING 6" SEWER SERVICE. RIM AND INVERT PER PLAN. CONNECT NEW 6" SANITARY SEWER TO NEW DROP CLEANOUT VIA VERTICAL FITTING OR LONG SWEEP PER EID STD. DWG. NO. S08. CONTRACTOR SHALL VERIFY EXISTING ELEVATIONS PRIOR TO START OF WORK AND NOTIFY ENGINEER OF ANY DISCREPANCIES.
- CONNECT NEW 6" SANITARY SEWER TO EXISTING 8" SANITARY SEWER MAIN PER EID STANDARD DWG. NO. S08. CONTRACTOR SHALL VERIFY DEPTH, SIZE AND LOCATION OF EXISTING SEWER PRIOR TO CONSTRUCTION.

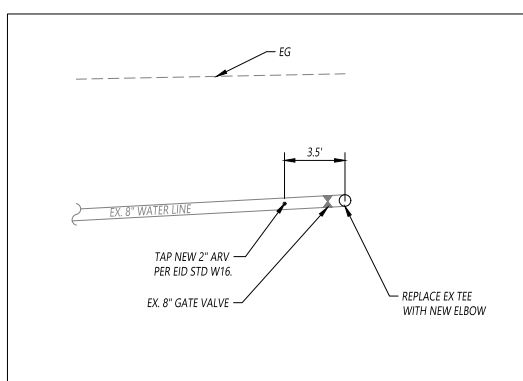
- ABANDON EXISTING 6" SEWER LATERAL AT 21" SEWER MAIN PER EID STANDARDS. SEE SHEET C1.0.

DRY UTILITY KEY NOTES:

- APPROXIMATE LOCATION OF ELECTRICAL FIRE ALARM LINE BUILDING POC - SEE ELECTRICAL PLAN FOR ROUTING AND ALL DETAILS.
- INSTALL 1-1/2" CONDUIT FROM BACKFLOW FIRE VALVES TO FIRE MONITORING PANEL - SEE ELECTRICAL PLANS FOR DETAILS.
- RELOCATED TELEPHONE MANHOLE - ADJUST RIM TO GRADE.
- APPROXIMATE LOCATION OF UNDERGROUND ELECTRICAL CONDUIT - SEE DRY UTILITY PLANS. BY OTHERS. FOR CONSTRUCTION INFORMATION AND CONTINUATION TO PROPOSED TRANSFORMER.

WATER KEY NOTES:

- INSTALL 2" COMBINATION AIR RELEASE VALVE OUTSIDE OF PAVED AREA AND CONNECT TO EX. 8" WATER LINE PER EID STD W16. REMOVE EX. BOV. REMOVE EX. TEE AND VALVE AND REPLACE WITH ELBOW. SEE DETAIL 1 ON THIS SHEET. EID INSPECTION TO DETERMINE IF ANY OF THE EX. ARV COMPONENTS CAN BE RE-USED DURING CONSTRUCTION.



1 NEW 2" ARV TAP DETAIL
 C4.0 NOT TO SCALE

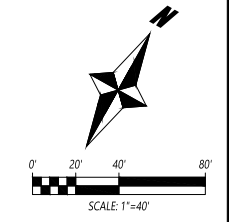
UTILITY CROSSINGS:

- | | | | |
|---|---------------------------------------------------|---|------------------------------------------------------|
| 1 | FG=644.75
12" SD IE=639.90
6" SS TOP=638.74 | 3 | FG=645.12
8" W IE=640.34
EX. 21" SS TOP=638.83 |
| 2 | FG=644.98
8" SD IE=641.38
8" W TOP=640.38 | 4 | FG=640.3
18" SD IE=635.53
6" SS TOP=633.53 |

***NOTE:**
 CONTRACTOR TO POTHOLE EX. 21" SEWER MAIN AND VERIFY SEWER DEPTH AT CROSSINGS. COORDINATE CROSSING CONSTRUCTION WITH EID TO VERIFY PROTECTION OF LIVE 21" SEWER.

PUBLIC SEWER QUANTITY LIST (EID ONLY)

ITEM	TYPE	QUANTITY	UNIT
PIPE	6" PVC SDR-26	39	LF
CLEANOUT	6" SEWER CLEANOUT	2	EACH



LogIn Name: wsherry
 Date: 09/16/2021 1:58 pm
 File Name: I:\219042-Saratoga Way MOB\CAD\Production Drawings\219042-CD-C4.0-Utility.dwg