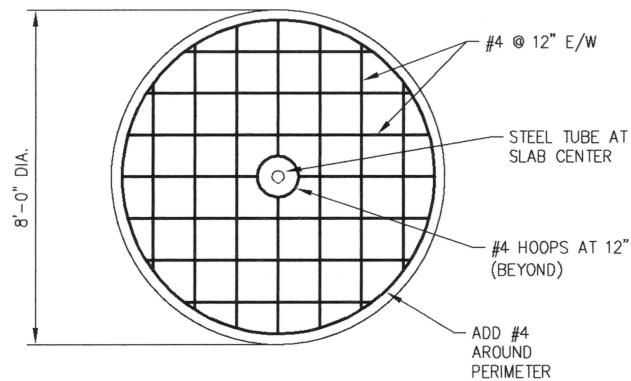
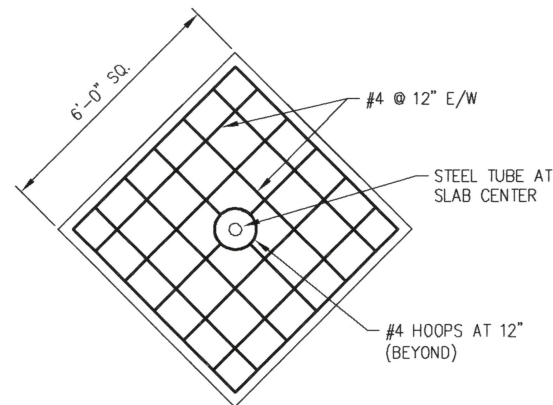
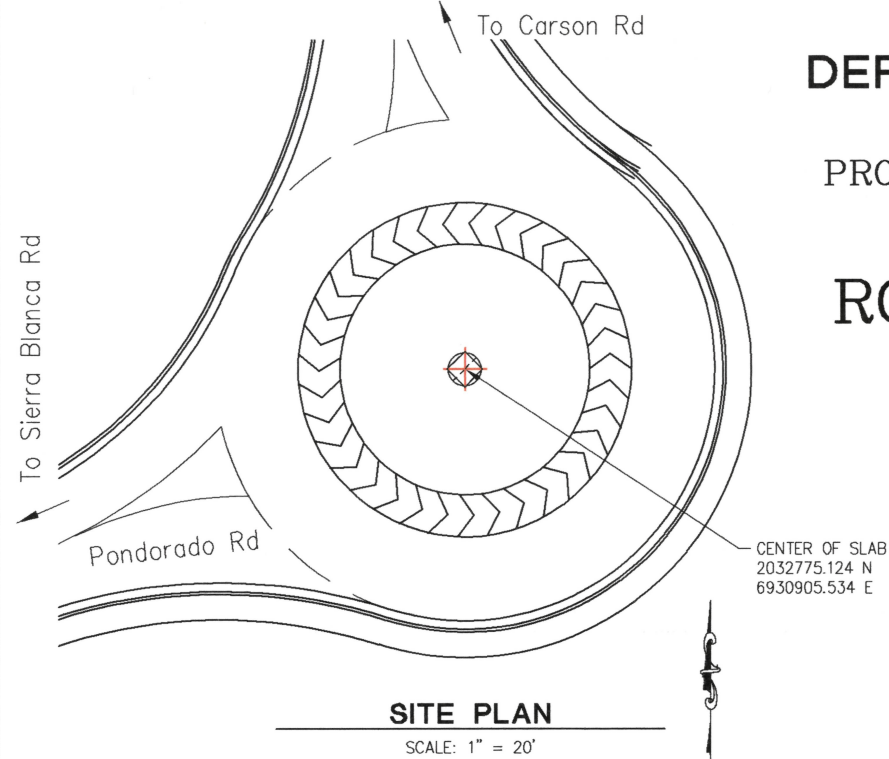


COUNTY OF EL DORADO, CA  
DEPARTMENT OF TRANSPORTATION

PROJECT PLANS FOR THE CONSTRUCTION OF  
**PONDORADO ROAD  
ROUNABOUT MONUMENT**

IN THE COUNTY OF EL DORADO, DISTRICT 3



**SQUARE SLAB REINFORCEMENT PLAN**

SCALE: 1" = 2'-0"

**ROUND SLAB REINFORCEMENT PLAN**

SCALE: 1" = 2'-0"

**NOTES:**

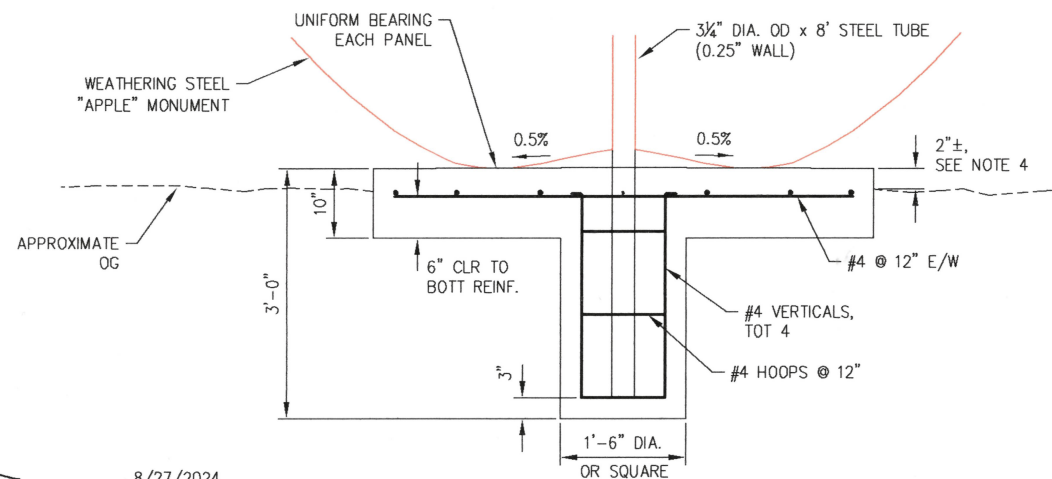
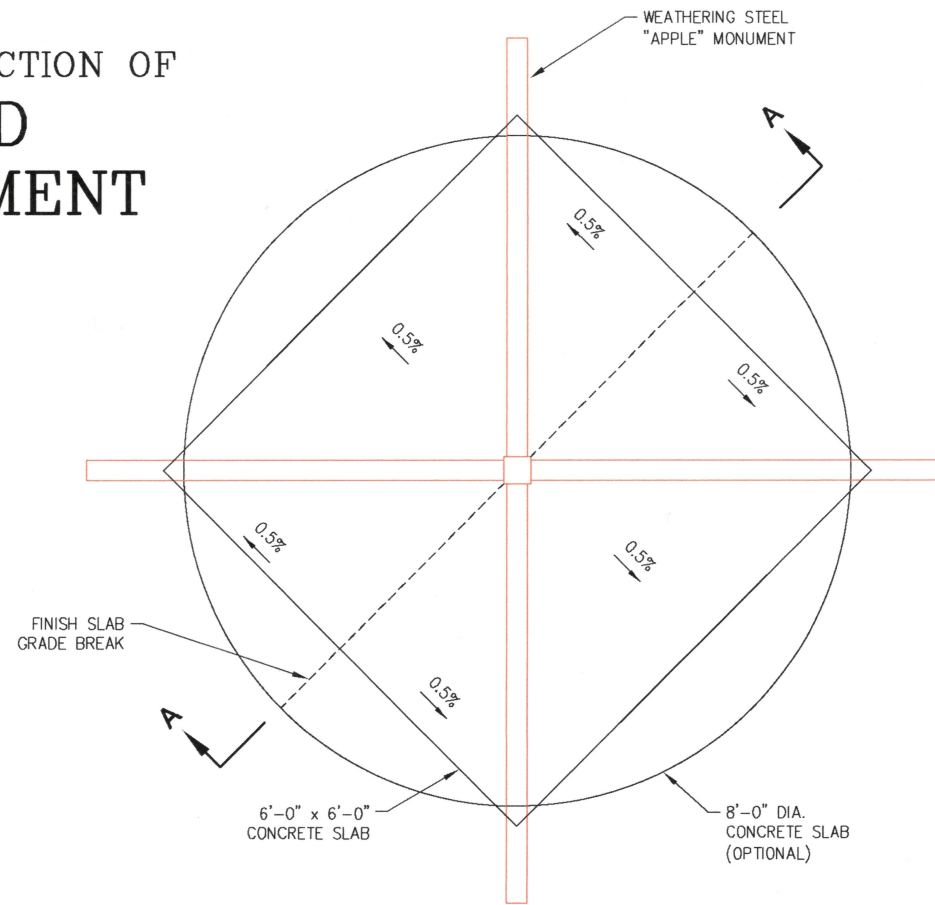
- CONSTRUCTION SHALL CONFORM TO THE 2023 CALTRANS STANDARD SPECIFICATIONS, UNLESS NOTED OTHERWISE.
- CONCRETE 28 DAY COMPRESSIVE STRENGTH = 3,000 PSI, 3/4" MAX AGGREGATE SIZE, W/C RATIO = 0.5 TO 0.6.
- EXACT MONUMENT ORIENTATION TO BE DETERMINED BY MONUMENT DESIGNER. SLAB LAYOUT TO BE ROTATED ACCORDINGLY TO MATCH FINAL ORIENTATION.
- FINISH SLAB GRADE TO BE DETERMINED BY COUNTY INSPECTOR IN THE FIELD.
- MINIMUM CLEAR CONCRETE COVER FOR ALL REINFORCING STEEL SHALL BE 3".
- FINISH SLAB TO HAVE 0.5% SLOPE TO PROVIDE PROPER DRAINAGE. SLAB FINISH GRADE SHALL PROVIDE UNIFORM BEARING AT EACH MONUMENT PANEL.
- TOOLED CONTROL JOINTS TO BE MADE SAME DAY AS POUR.
- DESIGN SOIL BEARING VALUE = 1,000 PSF.

CONTRACTOR'S LICENSE CLASSIFICATION: Bidders shall be properly licensed to perform the Work pursuant to the State Contractor's License Act (Business and Professions Code section 7000 et seq.) and shall possess a CLASS A LICENSE or equivalent combination of Classes required by the categories and type of Work included in the Contract Documents and Plans. Failure of the successful Bidder to obtain proper and adequate licensing at the time bids are submitted shall constitute a failure to execute the Contract, and forfeiture as provided under that section.



SUBMITTED BY:  
DUSTIN W. HARRINGTON  
REGISTERED CIVIL ENGINEER No. 71517

8/27/2024  
DATE



**BOARD OF SUPERVISORS**

I	JOHN HIDAHL
II	GEORGE TURNBOO
III	WENDY THOMAS
IV	LORI PARLIN
V	BROOKE LAINE

**COUNTY OF EL DORADO  
DEPARTMENT OF TRANSPORTATION**

2850 FAIRLANE COURT  
PLACERVILLE, CA 95667  
(530) 621-5900

ADOPTED AND APPROVED BY:

WENDY THOMAS  
CHAIR, EL DORADO COUNTY BOARD OF SUPERVISORS  
DATE: 8/15/24

RAFAEL MARTINEZ, DIRECTOR  
DEPARTMENT OF TRANSPORTATION  
DATE: 8/15/24

MATTHEW SMELTZER  
DEPUTY DIRECTOR, ENGINEERING

PW NO. N/A PROJECT NO. N/A

**PONDORADO ROAD  
ROUNABOUT MONUMENT**

**PLAN SHEET**

1 OF 1

SHEET 1 OF 1