



Henke Quote # 056375

DATE: June 30, 2021

Quotation Valid for 60 Days

Quotation Prepared For

Terms

(see last page for full description)

Name Kent Taylor
Account Name El Dorado County, CA
Address 2441 Headington Rd.
City, State Zip Placerville CA 95667
Phone Number (530) 642-4943
Mobile Number
Email: kent.taylor@edcgov.us

Estimated Delivery

60-90 Days

All lead times subject to change

F.O.B.

Leavenworth, KS

Ship Via

Best Way

Freight Terms

Prepay & Allow

Credit Terms

Net 30 - Subject To Credit Approval

Currency

All Prices Shown in USD\$

El Dorado County, CA - Quote# 056375

(1) Henke Helper Dozer Blade 14'

- 41" high, heavy-duty, box reinforced, ¼" thick, rolled plate moldboard
- Moldboard supported by fully welded, full length 2 ½" x 2 ½" x 3/16" steel tubing and extra gussets
- A-frame constructed with heavy-duty, 4" S&C channel reinforced with 4" x 6" SMT tubing
- Center pin 2 ¼" with (3) grease zerks
- Hydraulic power reverse with (2) 4" x 20 ¾" Nitrided D.A. cylinders
- Hydraulic cylinders provide up to 35° rotation left or right
- Will accept down pressure from industrial machinery
- Swivel Feature for plowing uneven terrain
- Fusion Coupler
- Accept (2) 7' x 6" x 3/4" cutting edges with the following bolt pattern: 3"-3"-6"-6"-6"-6"-6"-6"-6"-6"-6"
-6'-6"-6"-3"-3" and bolt holes for 5/8" diameter plow bolts
- 11" Mushroom Shoes
- Painted CAT Yellow
- 304 Stainless Steel Moldboard Sheet
- Mechanical Float
- Diverter valve
- Freight to South Lake Tahoe or Placerville Included in Price

14ft moldboard.....\$ 22,841.00

(1) Henke Hi-Gate For Grader Moldboards

- 55" long and 33" tall
- Fast, responsive hydraulic action
- Floating road contact strip w/ continuous spring down-pressure
- Designed to run parallel to road shoulder when moldboard angled to 35°
- Structural reinforcements throughout to prevent bending



- Approx. Wt. 600lbs
- Hi-Gate **painted to match grader**, unless otherwise specified
- US Patents 6,347,465 and 7,100,314
- Freight to South Lake Tahoe or Placerville Included in Price

Price.....\$ **8,569.00**

Quotation Prepared By
 Patrick Silvey - Regional Sales Manager
 Phone - 913-297-7835
 Email – psilvey@henkemfg.com

The above prices, specifications, and all attached terms and conditions are hereby accepted as part of this agreement. Henke Manufacturing is authorized to supply the equipment and services as specified to:

Organization: _____

Authorized Representative: _____ Title _____

Signature: _____ Date _____

PO# _____

Requested Ship Date _____

Note: All purchase orders must reflect this quote number on the PO => 056375

Full Terms and Conditions

- All lead times are subject to change without notice.



- All quotes are FOB Leavenworth, KS unless stated otherwise
- Henke will notify the customer via email once a Customer Pick Up order is ready for shipment. If the customer has not picked up the shipment within seven (7) days of being notified, Henke reserves the right to ship the order(s), prepaying the freight and adding it to the final invoice. A \$50 handling fee may be assessed if custom pallets, dunnage, etc. are required to ensure the product(s) stay secure in transit for any customer pickup order.
- All prices are shown in USD
- All credit terms are subject to credit approval
- Any custom orders generated from this quotation (orders for products that need to be designed) will be non-cancelable once they are released for production. Additional production time may be required. Please consult with sales for production time upon order placement.
- Henke's standard warranty (12 months for parts and flat rate labor) shall apply unless otherwise noted. Product must be [registered](#) for 24-month warranty to be in effect.
- This quote provides for no hydraulic components & controls other than those mentioned. Dealer must assume that items not in this quote will not be provided.



Henke Quote # 052513

DATE: June 30, 2021

Quotation Valid for 60 Days

Quotation Prepared For

Name Kent Taylor
Account Name El Dorado County, CA
Address 2441 Headington Rd.
City, State Zip Placerville CA 95667
Phone Number (530) 642-4943
Mobile Number
Email: kent.taylor@edcgov.us

Terms (see last page for full description)

Estimated Delivery 60-90 Days
All lead times subject to change

F.O.B. Leavenworth, KS
Ship Via Best Way
Freight Terms Prepay & Add (FC1)
Credit Terms Net 30 - Subject To Credit Approval
Currency All Prices Shown in USD\$

El Dorado County, CA - Quote# 052513 HH14

(1) Henke Helper Dozer Blade 14'

- 41" high, heavy-duty, box reinforced, ¼" thick, rolled plate moldboard
- Moldboard supported by fully welded, full length 2 ½" x 2 ½" x 3/16" steel tubing and extra gussets
- A-frame constructed with heavy-duty, 4" S&C channel reinforced with 4" x 6" SMT tubing
- Center pin 2 ¼" with (3) grease zerks
- Hydraulic power reverse with (2) 4" x 20 ¾" Nitrided D.A. cylinders
- Hydraulic cylinders provide up to 35° rotation left or right
- Will accept down pressure from industrial machinery
- Swivel Feature for plowing uneven terrain
- JRB 416 Hooks
- Accept (2) 7' x 6" x 3/4" cutting edges with the following bolt pattern: 3"-3"-6"-6"-6"-6"-6"-6"-6"-6"-6"-6"-6"-6"-6"-6"-6"-3"-3" and bolt holes for 5/8" diameter plow bolts (see picture sent on 3/22)
- 11" Mushroom Shoes
- Painted CAT Yellow
- Stainless Steel Moldboard
- Mechanical Float
- Freight to South Lake Tahoe or Placerville Included in Price

14ft moldboard.....\$ 22,042.00

Quotation Prepared By
 Patrick Silvey - Regional Sales Manager
 Phone - 913-297-7835
 Email – psilvey@henkemfg.com



The above prices, specifications, and all attached terms and conditions are hereby accepted as part of this agreement. Henke Manufacturing is authorized to supply the equipment and services as specified to:

Organization: _____
Authorized Representative: _____ Title _____
Signature: _____ Date _____
PO# _____
Requested Ship Date _____

Note: All purchase orders must reflect this quote number on the PO => 052513



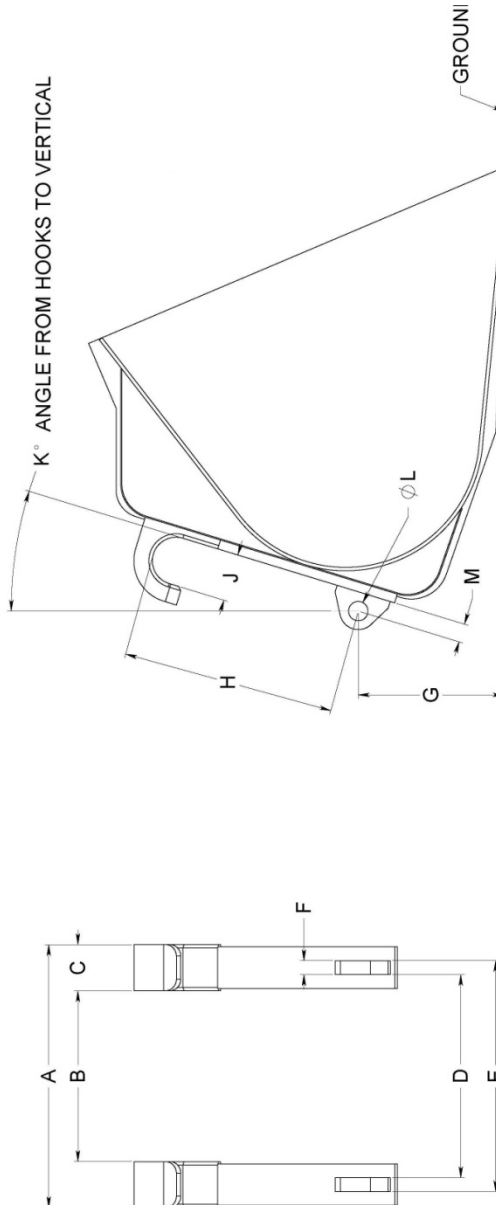
Coupler Verification

In order to ensure the correct coupler is provided, please fill out the measurements in this diagram.

Full Terms Conditions

- All _____ to _____
- All are _____

HENKE FIELD WORKSHEET
MEASURING QUICK COUPLER HOOKS (PARALLEL HOOK STYLE)
FILL OUT DIMENSIONS AND E-MAIL, OR FAX BACK TO 913-682-0300



A _____	B _____	C _____	D _____
E _____	F _____	G _____	H _____
J _____ DIAMETER	K _____ DEG.	L _____ DIAMETER	M _____

and
 lead times are subject change without notice. quotes FOB



- Henke will notify the customer via email once a Customer Pick Up order is ready for shipment. If the customer has not picked up the shipment within seven (7) days of being notified, Henke reserves the right to ship the order(s), prepaying the freight and adding it to the final invoice. A \$50 handling fee may be assessed if custom pallets, dunnage, etc. are required to ensure the product(s) stay secure in transit for any customer pickup order.
- All prices are shown in USD
- All credit terms are subject to credit approval
- Any custom orders generated from this quotation (orders for products that need to be designed) will be non-cancelable once they are released for production. Additional production time may be required. Please consult with sales for production time upon order placement.
- Henke's standard warranty (12 months for parts and flat rate labor) shall apply unless otherwise noted. Product must be [registered](#) for 24-month warranty to be in effect.
- This quote provides for no hydraulic components & controls other than those mentioned. Dealer must assume that items not in this quote will not be provided.