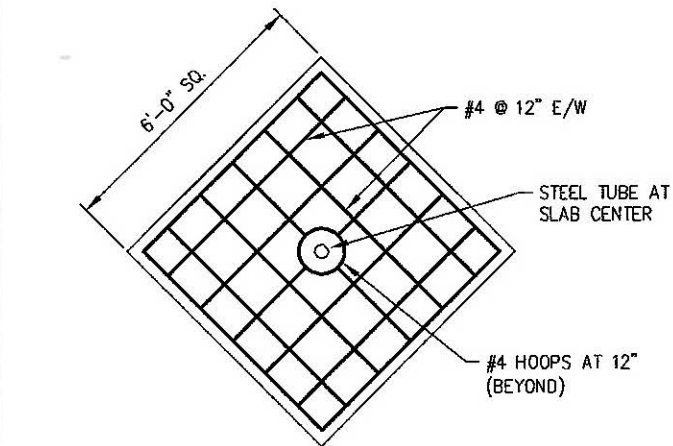
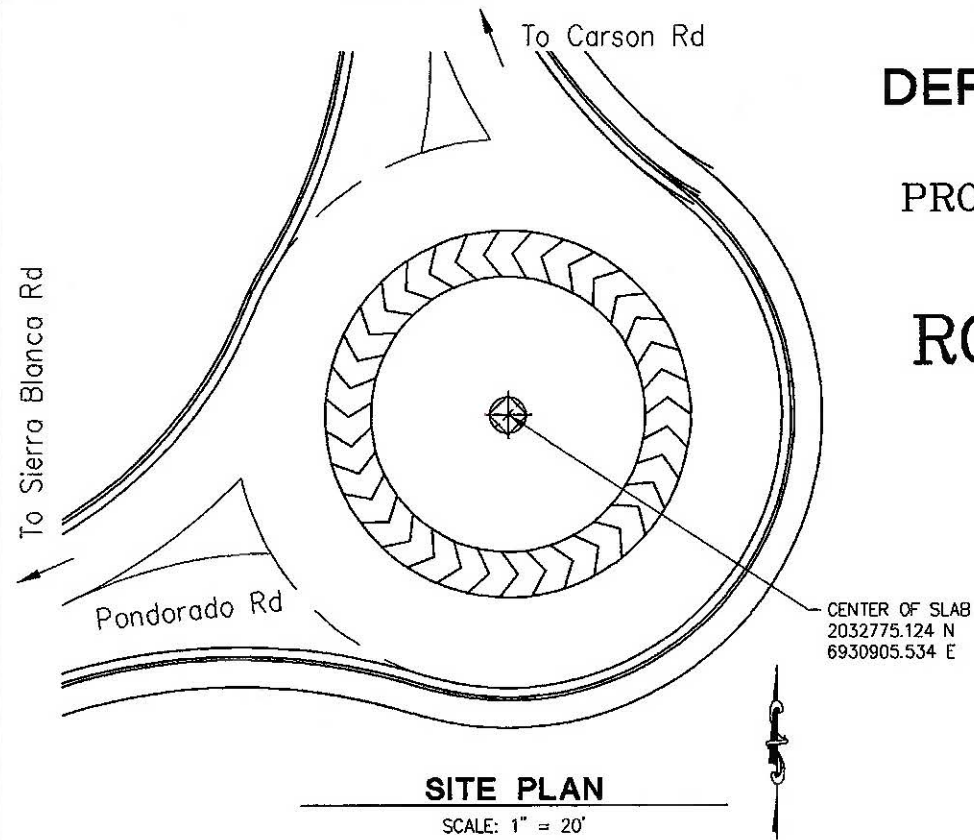


# COUNTY OF EL DORADO, CA DEPARTMENT OF TRANSPORTATION

## PROJECT PLANS FOR THE CONSTRUCTION OF PONDORADO ROAD ROUNABOUT MONUMENT

IN THE COUNTY OF EL DORADO, DISTRICT 3



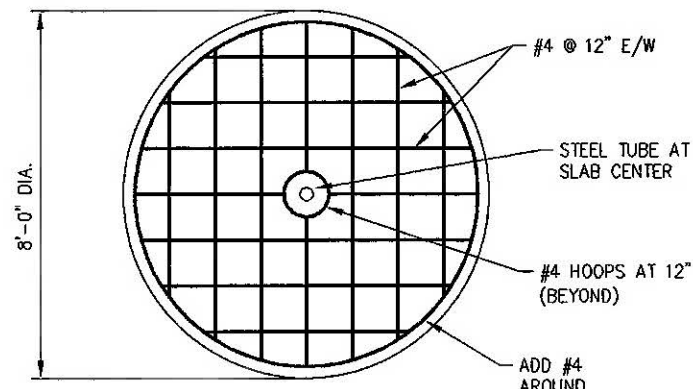
### SQUARE SLAB REINFORCEMENT PLAN

SCALE: 1" = 2'-0"

#### NOTES:

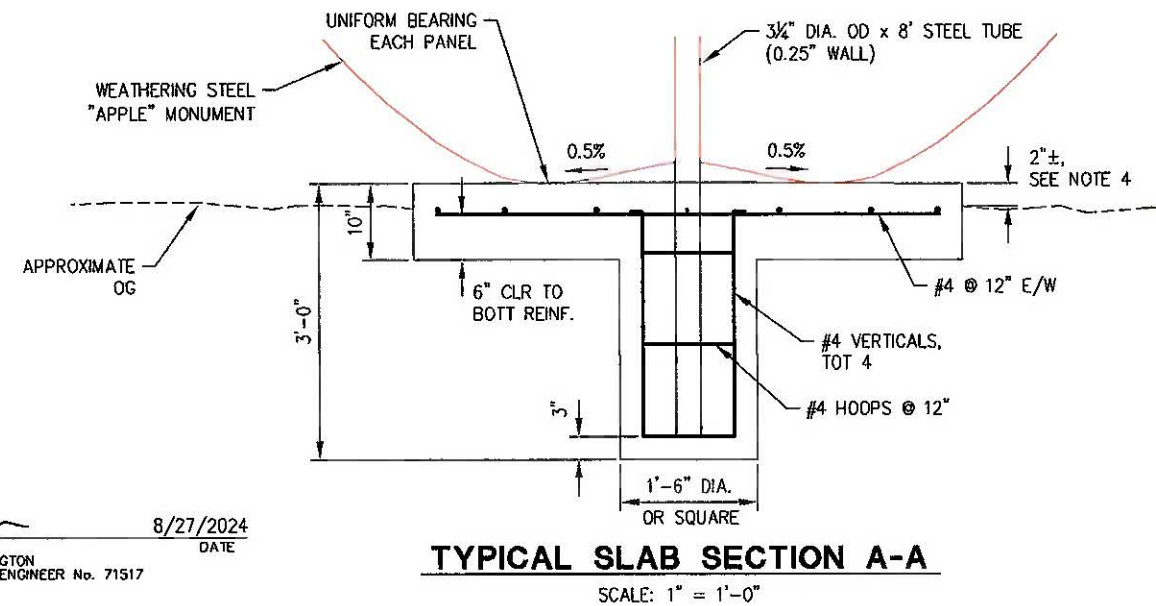
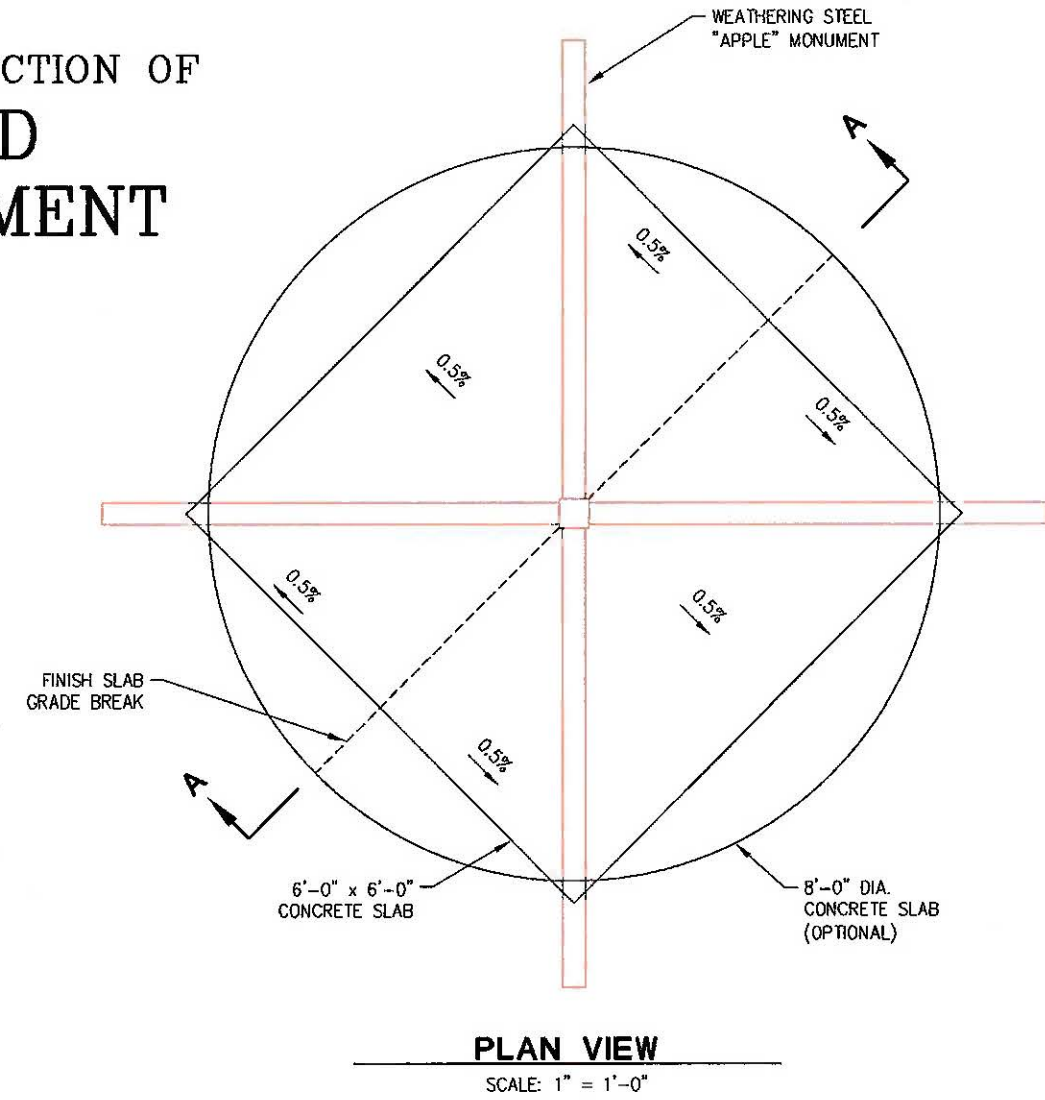
- CONSTRUCTION SHALL CONFORM TO THE 2023 CALTRANS STANDARD SPECIFICATIONS, UNLESS NOTED OTHERWISE.
- CONCRETE 28 DAY COMPRESSIVE STRENGTH = 3,000 PSI, 3/4" MAX AGGREGATE SIZE, W/C RATIO = 0.5 TO 0.6.
- EXACT MONUMENT ORIENTATION TO BE DETERMINED BY MONUMENT DESIGNER. SLAB LAYOUT TO BE ROTATED ACCORDINGLY TO MATCH FINAL ORIENTATION.
- FINISH SLAB GRADE TO BE DETERMINED BY COUNTY INSPECTOR IN THE FIELD.
- MINIMUM CLEAR CONCRETE COVER FOR ALL REINFORCING STEEL SHALL BE 3".
- FINISH SLAB TO HAVE 0.5% SLOPE TO PROVIDE PROPER DRAINAGE. SLAB FINISH GRADE SHALL PROVIDE UNIFORM BEARING AT EACH MONUMENT PANEL.
- TOOLED CONTROL JOINTS TO BE MADE SAME DAY AS POUR.
- DESIGN SOIL BEARING VALUE = 1,000 PSF.

CONTRACTOR'S LICENSE CLASSIFICATION: Bidders shall be properly licensed to perform the Work pursuant to the State Contractor's License Act (Business and Professions Code section 7000 et seq.) and shall possess a CLASS A LICENSE or equivalent combination of Classes required by the categories and type of Work included in the Contract Documents and Plans. Failure of the successful Bidder to obtain proper and adequate licensing at the time bids are submitted shall constitute a failure to execute the Contract, and forfeiture as provided under that section.



### ROUND SLAB REINFORCEMENT PLAN

SCALE: 1" = 2'-0"



**BOARD OF SUPERVISORS**

I	JOHN HIDAHL
II	GEORGE TURNBOO
III	WENDY THOMAS
IV	LORI PARLIN
V	BROOKE LAINE

**COUNTY OF EL DORADO  
DEPARTMENT OF TRANSPORTATION**

2850 FAIRLANE COURT  
PLACERVILLE, CA 95667  
(530) 621-5900

APPROVED AND APPROVED BY: *Wendy Thomas* 8/27/24 DATE

CHIEF, EL DORADO COUNTY BOARD OF SUPERVISORS

APPROVED BY: *Dustin W. Harrington* 8/15/24 DATE

REGISTERED PROFESSIONAL ENGINEER

DEPARTMENT OF TRANSPORTATION

*Matthew Smeltzer* 8/15/24 DATE

REGISTERED PROFESSIONAL ENGINEER

PW NO. N/A PROJECT NO. N/A

**PONDORADO ROAD  
ROUNABOUT MONUMENT**

**PLAN SHEET**

1 OF 1

SHEET



SUBMITTED BY: *Dustin W. Harrington*

DUSTIN W. HARRINGTON  
REGISTERED CIVIL ENGINEER No. 71517

8/27/2024 DATE