

INDEX OF SHEETS

SHEET	PLAN SHEET	TITLE
1		TITLE SHEET
2	CD-1	SURVEY CONTROL DIAGRAM
3	L-1	LAYOUT SHEET
4	C-1	CONSTRUCTION DETAILS
5	R-1	REVEGETATION PLAN

STRUCTURE PLANS

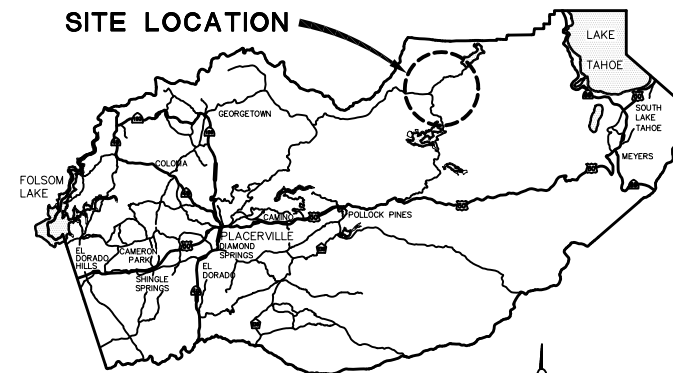
6	S-1	GENERAL PLAN
7	S-2	INDEX TO PLANS
8	S-3	FOUNDATION PLAN
9	S-4	ABUTMENT LAYOUT
10	S-5	ABUTMENT DETAILS
11	S-6	SIDEWALL DETAILS
12	S-7	ROCK SLOPE PROTECTION
13	S-8	LOG OF TEST BORINGS

DEPARTMENT OF TRANSPORTATION COUNTY OF EL DORADO, CA

PROJECT PLANS FOR THE CONSTRUCTION OF WENTWORTH SPRINGS ROAD at GERLE CREEK BRIDGE REPLACEMENT PROJECT

IN THE COUNTY OF EL DORADO, DISTRICT 4
2.4 MI. SW OF WENTWORTH SPRINGS

To be supplemented with Standard Plans and Specifications dated May 2006, including the amendments to the May 2006 Standard Specifications, of the California Department of Transportation, unless otherwise noted.



VICINITY MAP
COUNTY OF EL DORADO

BOARD OF SUPERVISORS

I	JOHN R. KNIGHT
II	RAYMOND J. NUTTING
III	JAMES R. SWEENEY
IV	RON BRIGGS
V	NORMA SANTIAGO

**COUNTY OF EL DORADO
DEPARTMENT OF
TRANSPORTATION**

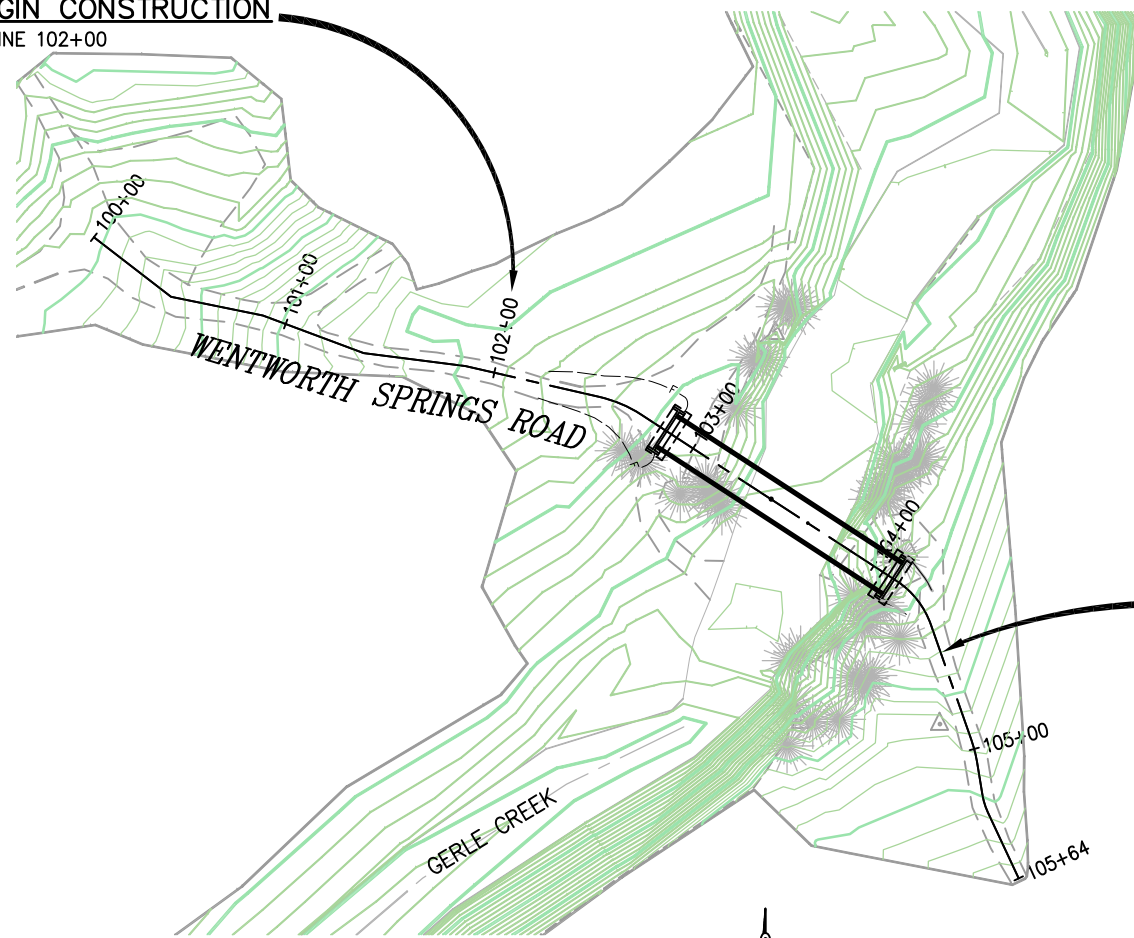
(530) 621-5900
2850 FAIRLANE CT
PLACERVILLE, CA 95667

ADOPTED AND APPROVED BY:

NAME	DATE
JOHN R. KNIGHT CHAIR, EL DORADO COUNTY BOARD OF SUPERVISORS	
APPROVED BY:	
KIMBERLY A. KERR INTERIM DIRECTOR, EL DORADO COUNTY DEPARTMENT OF TRANSPORTATION	
MATTHEW D. SMELTZER P.E. NO. C56632 DEPUTY DIRECTOR OF ENGINEERING, EL DORADO COUNTY DEPARTMENT OF TRANSPORTATION	

BEGIN CONSTRUCTION

G LINE 102+00

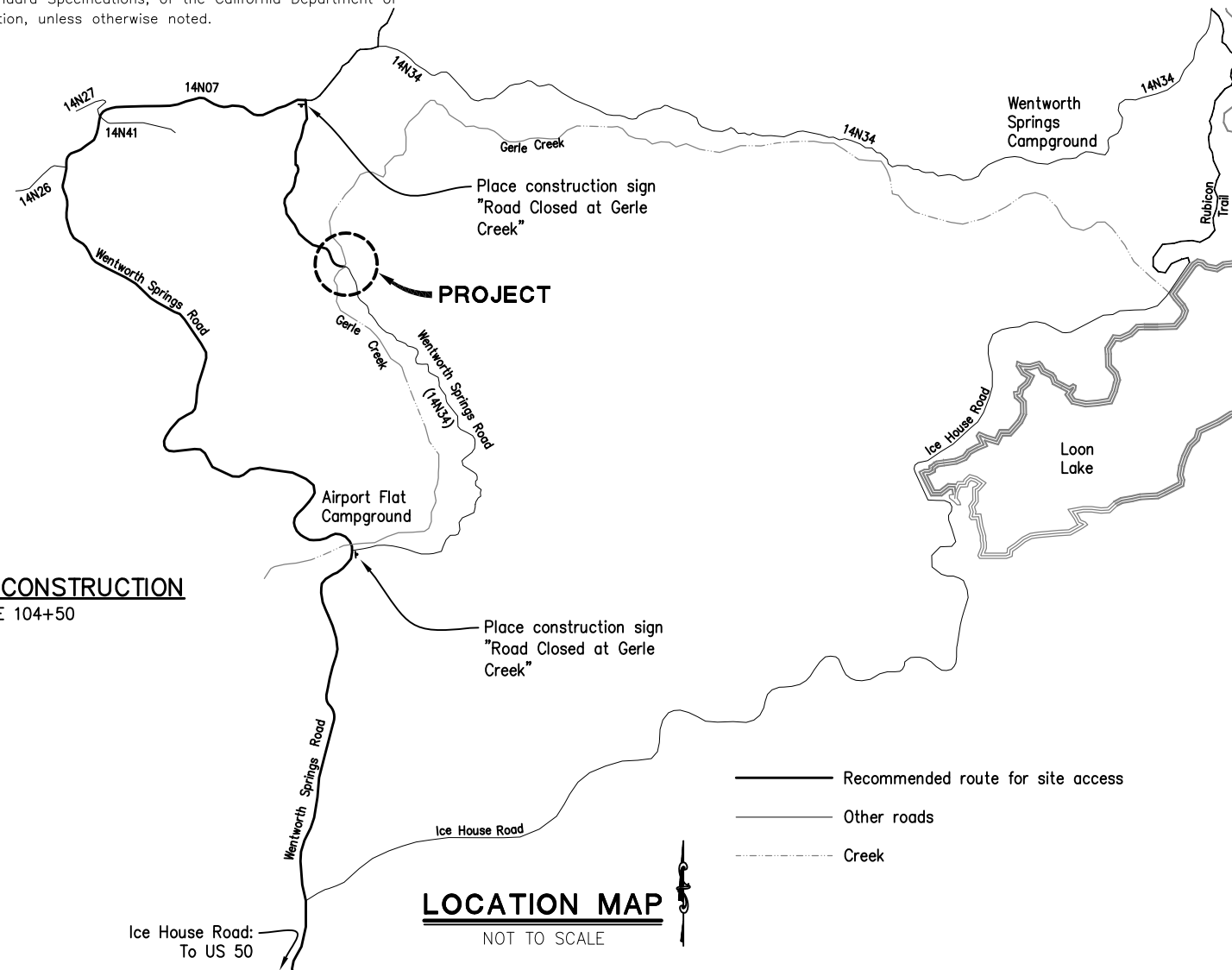


SITE PLAN

NOT TO SCALE

END CONSTRUCTION

G LINE 104+50



LOCATION MAP

NOT TO SCALE

- Recommended route for site access
- Other roads
- Creek



CONTRACTOR'S LICENSE CLASSIFICATION: Bidders shall be properly licensed to perform the Work pursuant to the State Contractor's License Act (Business and Professions Code section 7000 et seq.) and shall possess a CLASS A LICENSE or equivalent combination of Classes required by the categories and type of Work included in the Contract Documents and Plans. If the Contractor possesses a Class A license instead of the equivalent combination of Classes required by the categories and type of work included in the Contract Documents and Plans, then the Contractor or a subcontractor must also possess a CLASS C27 "Landscaping Contractor" license. Failure of the successful Bidder to obtain proper and adequate licensing for an award of the Contract shall constitute a failure to execute the Contract, and forfeiture as provided under that section.



DATE: 2/22/12

SUBMITTED BY: DUSTIN HARRINGTON
CIVIL ENGINEER
STATE OF CALIFORNIA NO. 71517

REVISIONS

MARK	DATE	BY

FEDERAL AID PROJECT: BRLO 5925 (053)
PW No. 11-30573 CONTRACT No. 77118

**WENTWORTH SPRINGS ROAD at
GERLE CREEK
BRIDGE REPLACEMENT PROJECT**

TITLE SHEET
1 OF 13

ORIGINAL SCALE IS IN INCHES
 Drawing name: C:\Civil 3D\Projects\77118 Gerle Creek\CADD\Files\Sheets\CD-1.dwg Layout Tab: CD-1 Feb 22, 2012 12:05pm Dharrington
 FOR REDUCED PLANS



ALIGNMENT DATA				
NUMBER	LENGTH	RADIUS	LINE / CHORD DIRECTION & LENGTH	DELTA
L1	45.22		S 52° 19' 53" E	
L2	43.54		S 78° 30' 40" E	
L3	49.87		S 69° 33' 06" E	
L4	47.63		S 82° 43' 00" E	
L5	63.90		S 77° 01' 17" E	
C1	21.04	60.00	S 66° 58' 24" E - 20.94	20° 05' 46"
L6	141.50		S 56° 55' 31" E	
C2	26.22	40.00	S 38° 08' 38" E - 25.76	37° 33' 45"
L7	56.69		S 19° 21' 46" E	
C3	10.37	60.00	S 14° 24' 43" E - 10.36	09° 54' 06"
L8	16.00		S 09° 27' 40" E	
C4	8.17	30.00	S 17° 15' 45" E - 8.14	15° 36' 10"
L9	33.89		S 25° 03' 50" E	

PLAN - WENTWORTH SPRINGS ROAD AT GERLE CREEK

HORIZONTAL DATUM
 DENOTES TARGET LOCATION AND ELEVATION

BEARINGS, DISTANCES, STATIONING AND COORDINATES SHOWN ARE ON THE CALIFORNIA STATE COORDINATE SYSTEM, NAD 83 ZONE 2 (2007.00). DISTANCES SHOWN ARE GRID DISTANCES. DIVIDE DISTANCES SHOWN BY 0.9996402 TO OBTAIN GROUND DISTANCES.

VERTICAL DATUM
 ELEVATIONS SHOWN HEREON ARE REFERENCED TO NGVD 1988 FROM GPS OBSERVATIONS

CONTROL TABLE				
CONTROL NUMBER	NORTHING	EASTING	ELEVATION	DESCRIPTION
30	2131608.70	7020943.45	5835.92	CP GC
31	2131428.25	7020955.16	5840.90	CP GC
32	2131427.41	7021019.61	5847.74	AUX CP GC32

SURVEY CONTROL DIAGRAM
SCALE : 1" = 40'

REVISION	NUMBER	DATE	DESCRIPTION	BY



PREPARED UNDER THE SUPERVISION OF :
Loren A. Masmano
 REGISTERED CIVIL ENGINEER
 DATE: 2/22/12

DESIGNED: RR
 DRAWN: RR
 CHECKED: LM
 DATE: 12/2/11
 ROAD NUMBER:

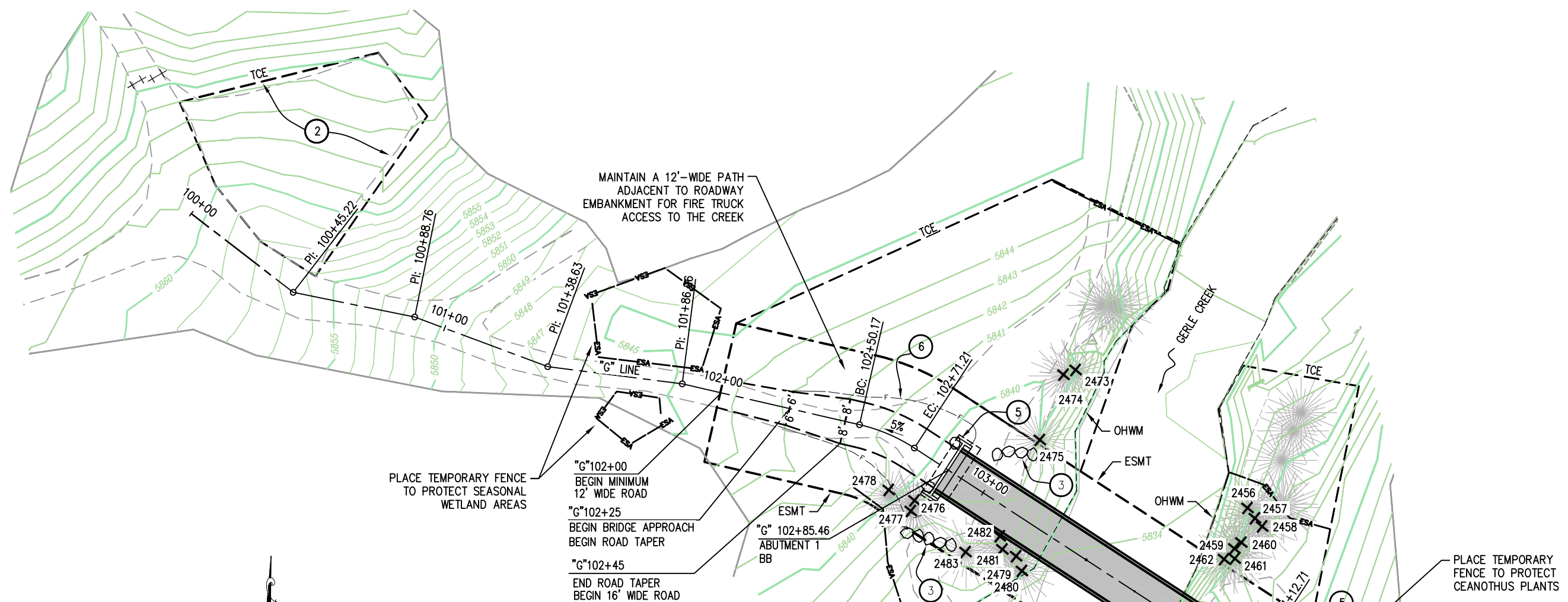


EL DORADO COUNTY
DEPARTMENT OF TRANSPORTATION

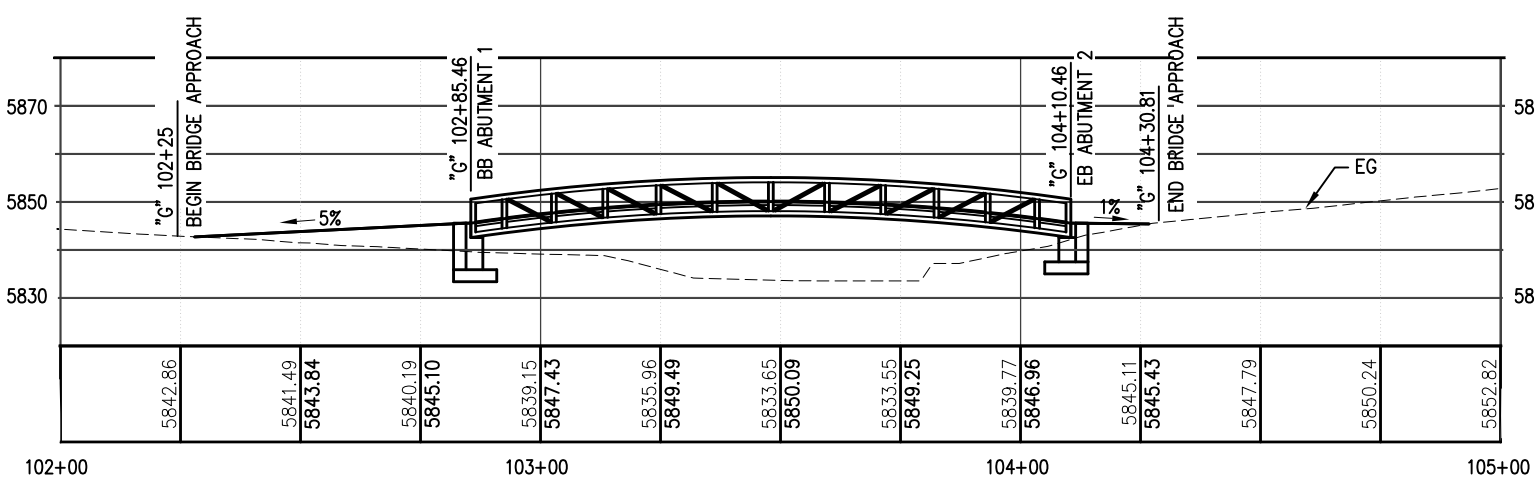
WENTWORTH SPRINGS ROAD
at GERLE CREEK
BRIDGE REPLACEMENT PROJECT

SHEET
CD-1
 2 OF 13
 W.O. No. **77118**

ORIGINAL SCALE IS IN INCHES
 Drawing name: C:\Civil 3D\Projects\77118 Gerle Creek\CADD\Files\Sheets\L-1.dwg Layout Tab: L-1 Feb 22, 2012 12:05pm Dharrington
 FOR REDUCED PLANS



PLAN - WENTWORTH SPRINGS ROAD AT GERLE CREEK



PROFILE - WENTWORTH SPRINGS ROAD AT GERLE CREEK

SCALE: 1"=20',V,H

CONSTRUCTION NOTES:

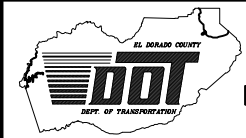
- ① -NEW BRIDGE (SEE S-SHEETS)
 - ② -EXISTING CLEARING MAY BE USED FOR CONSTRUCTION STAGING AREA
 - ③ -ROCK BARRIER, SEE DETAIL 1/C-1.
 - ④ -ROAD SEGMENT TO BE ABANDONED AND BLOCKED OFF AFTER CONSTRUCTION IS COMPLETE.
 - ⑤ -36" Ø BOULDER POSITIONED MINIMUM 18" IN FRONT OF TRUSS ON THE APPROACH FILL. (NOT ON ABUTMENT BACKWALL)
 - ⑥ -SEE DETAIL 2/C-1 FOR BRIDGE APPROACH SECTION.
- ✕ TREE TO BE REMOVED AND TAG NUMBER
- ESA— TEMPORARY FENCING (TYPE ESA)
- ++ BARRICADE WITH "ROAD CLOSED" SIGN
- OHWM ORDINARY HIGH WATER MARK (APPROX. 5835')

NOTE: SEE SHEET S-7 FOR ROCK SLOPE PROTECTION PLACEMENT AT ABUTMENTS



PREPARED UNDER THE SUPERVISION OF:
 [Signature]
 REGISTERED CIVIL ENGINEER
 2/22/12

DESIGNED: DH
 DRAWN: RR
 CHECKED: JM
 DATE: 12/28/11
 ROAD NUMBER:

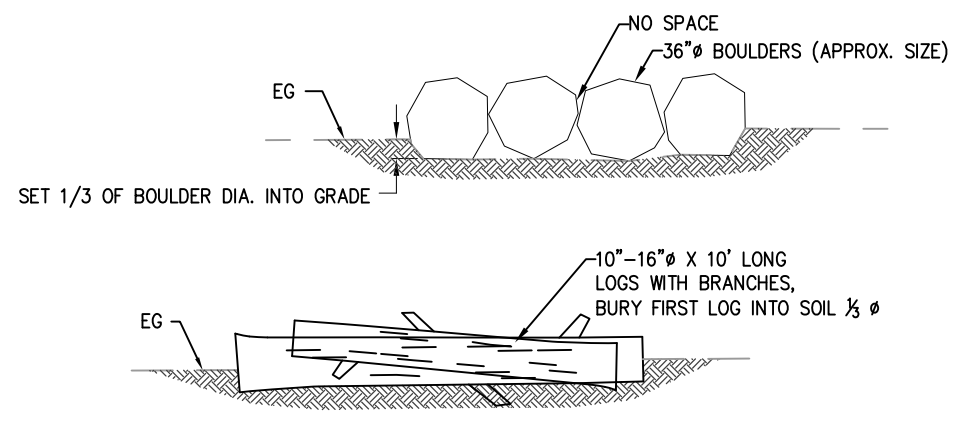


EL DORADO COUNTY
 DEPARTMENT OF TRANSPORTATION

WENTWORTH SPRINGS ROAD
 at GERLE CREEK
 BRIDGE REPLACEMENT PROJECT

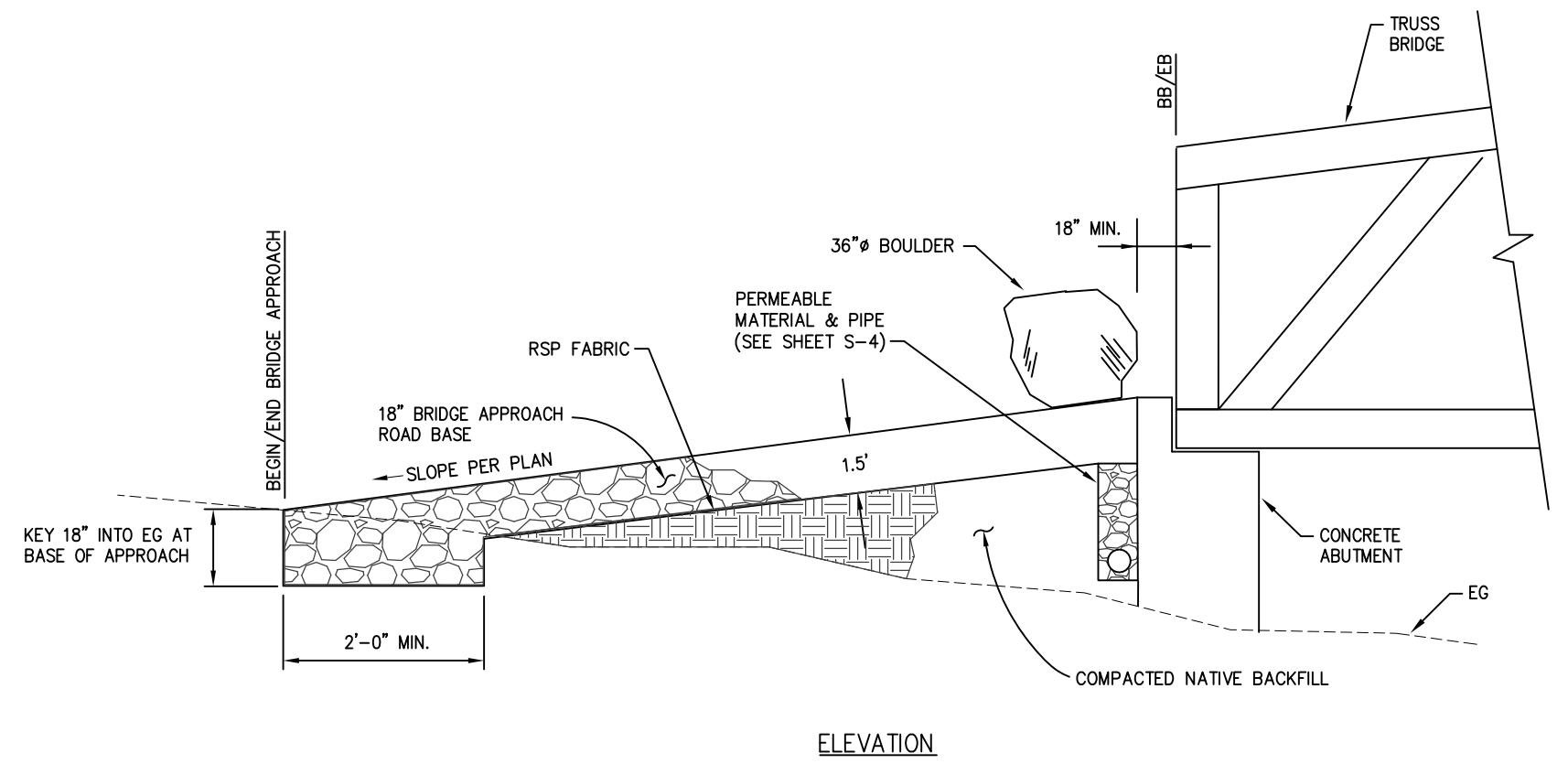
LAYOUT
 SCALE: 1" = 20'
 SHEET
 L-1
 3 OF 13
 W.O. No. 77118

ORIGINAL SCALE IS IN INCHES
 Drawing name: C:\Civil 3D Projects\77118 Gerle Creek\CADD Files\Sheets\C-1.dwg
 Layout Tab: Layout1
 Feb 28, 2012 - 9:51am D:Harrington

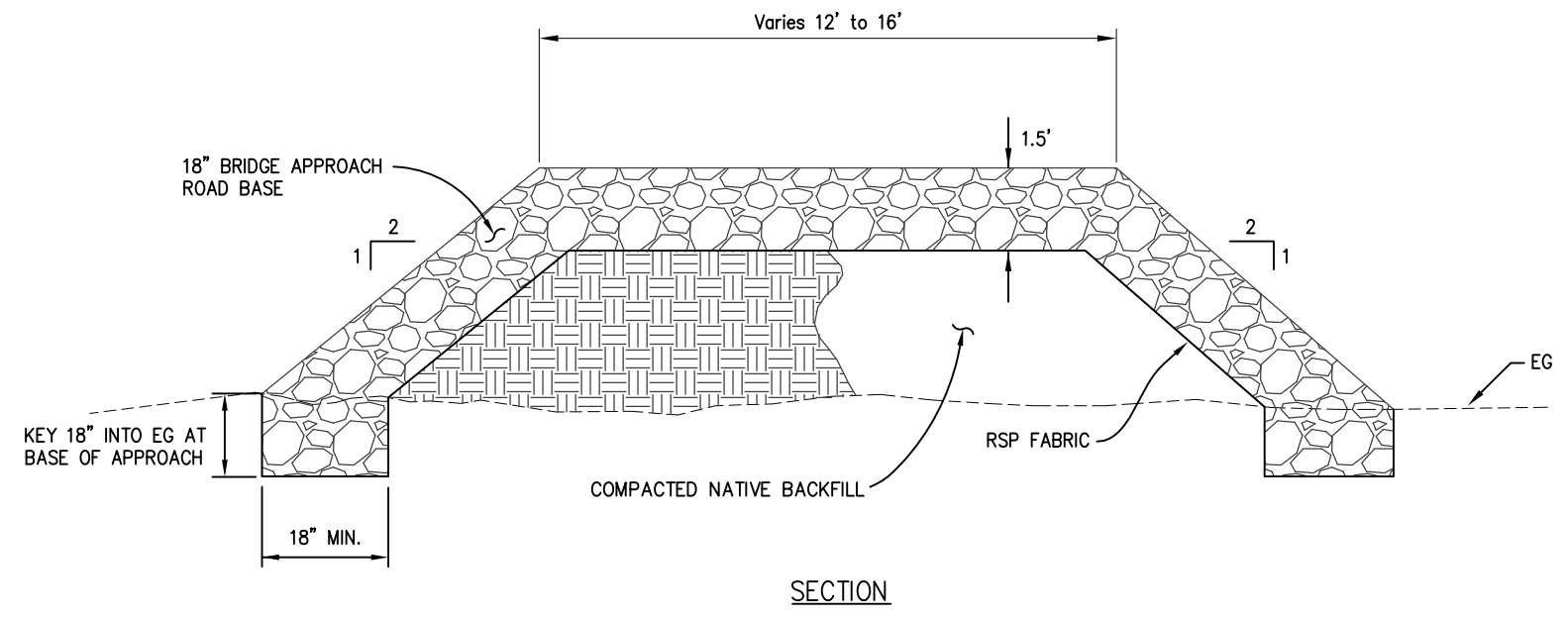


1 ROCK / LOG BARRIER
NTS

NOTE: Log barrier to be added in conjunction with rock barrier if logs are available on site. Trees shall not be cut solely for placement of log barrier.



ELEVATION



SECTION

2 BRIDGE APPROACH SECTION
NTS

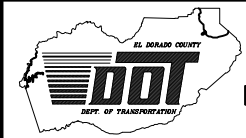
CONSTRUCTION DETAILS
SCALE : NONE

REVISION	NUMBER	DATE	DESCRIPTION	BY



PREPARED UNDER THE SUPERVISION OF :
[Signature]
 REGISTERED CIVIL ENGINEER
 DATE: 2/22/12

DESIGNED: DH
 DRAWN: RR
 CHECKED: JM
 DATE: 12/28/11
 ROAD NUMBER:

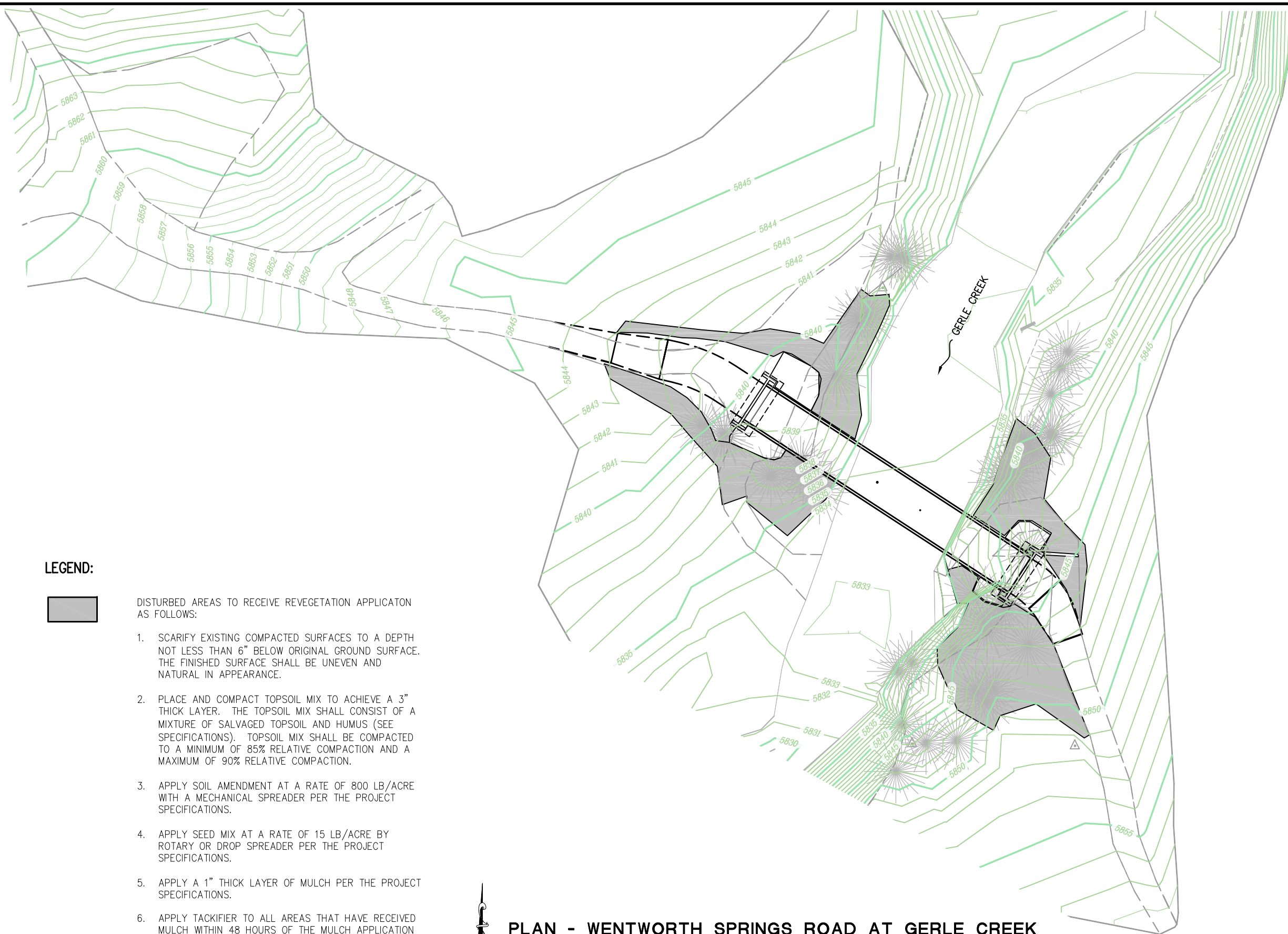


EL DORADO COUNTY
DEPARTMENT OF TRANSPORTATION

WENTWORTH SPRINGS ROAD
at GERLE CREEK
BRIDGE REPLACEMENT PROJECT

SHEET
C-1
4 OF 13
W.O. No. 77118

ORIGINAL SCALE IS IN INCHES
 Drawing name: C:\Civil 3D\Projects\77118 Gerle Creek\CADD_Files\Sheets\EC-1.dwg Layout Tab: Layout1 Feb 24, 2012 - 4:52pm Dharrington
 FOR REDUCED PLANS
 REVISION



LEGEND:



- DISTURBED AREAS TO RECEIVE REVEGETATION APPLICATION AS FOLLOWS:
1. SCARIFY EXISTING COMPACTED SURFACES TO A DEPTH NOT LESS THAN 6" BELOW ORIGINAL GROUND SURFACE. THE FINISHED SURFACE SHALL BE UNEVEN AND NATURAL IN APPEARANCE.
 2. PLACE AND COMPACT TOPSOIL MIX TO ACHIEVE A 3" THICK LAYER. THE TOPSOIL MIX SHALL CONSIST OF A MIXTURE OF SALVAGED TOPSOIL AND HUMUS (SEE SPECIFICATIONS). TOPSOIL MIX SHALL BE COMPACTED TO A MINIMUM OF 85% RELATIVE COMPACTION AND A MAXIMUM OF 90% RELATIVE COMPACTION.
 3. APPLY SOIL AMENDMENT AT A RATE OF 800 LB/ACRE WITH A MECHANICAL SPREADER PER THE PROJECT SPECIFICATIONS.
 4. APPLY SEED MIX AT A RATE OF 15 LB/ACRE BY ROTARY OR DROP SPREADER PER THE PROJECT SPECIFICATIONS.
 5. APPLY A 1" THICK LAYER OF MULCH PER THE PROJECT SPECIFICATIONS.
 6. APPLY TACKIFIER TO ALL AREAS THAT HAVE RECEIVED MULCH WITHIN 48 HOURS OF THE MULCH APPLICATION USING A HYDROSEEDER WITH A PADDLE WHEEL AGITATOR PER THE PROJECT SPECIFICATIONS.

PLAN - WENTWORTH SPRINGS ROAD AT GERLE CREEK

REVEGETATION PLAN
 SCALE : 1" = 20'



PREPARED UNDER THE SUPERVISION OF :

 REGISTERED CIVIL ENGINEER
 DATE: 2/22/12

DESIGNED: DH
 DRAWN: RR
 CHECKED: BF
 DATE: 12/29/11
 ROAD NUMBER:



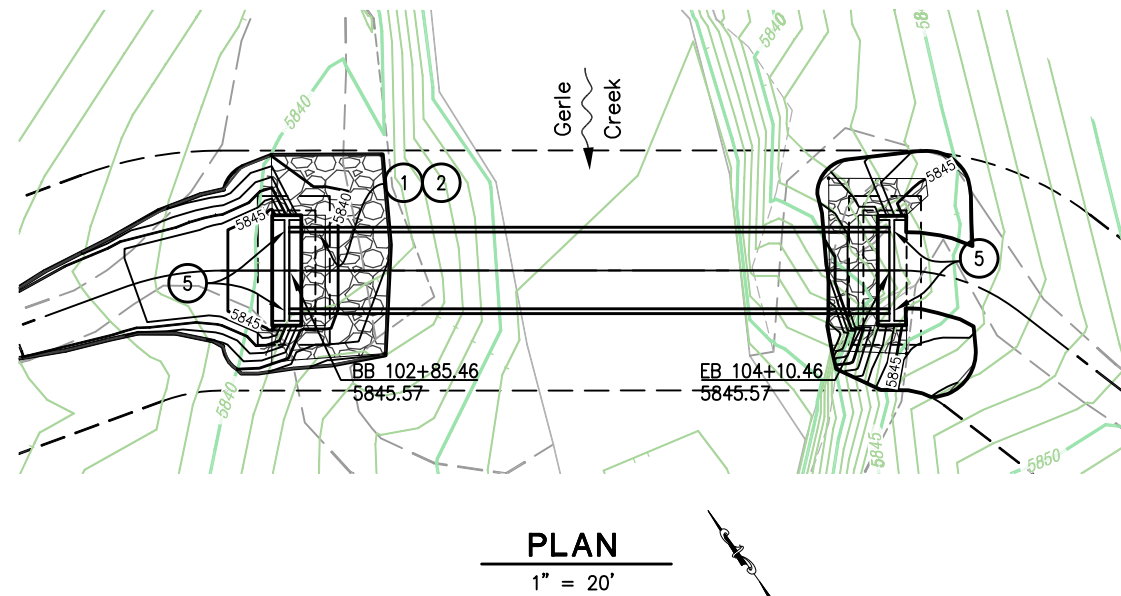
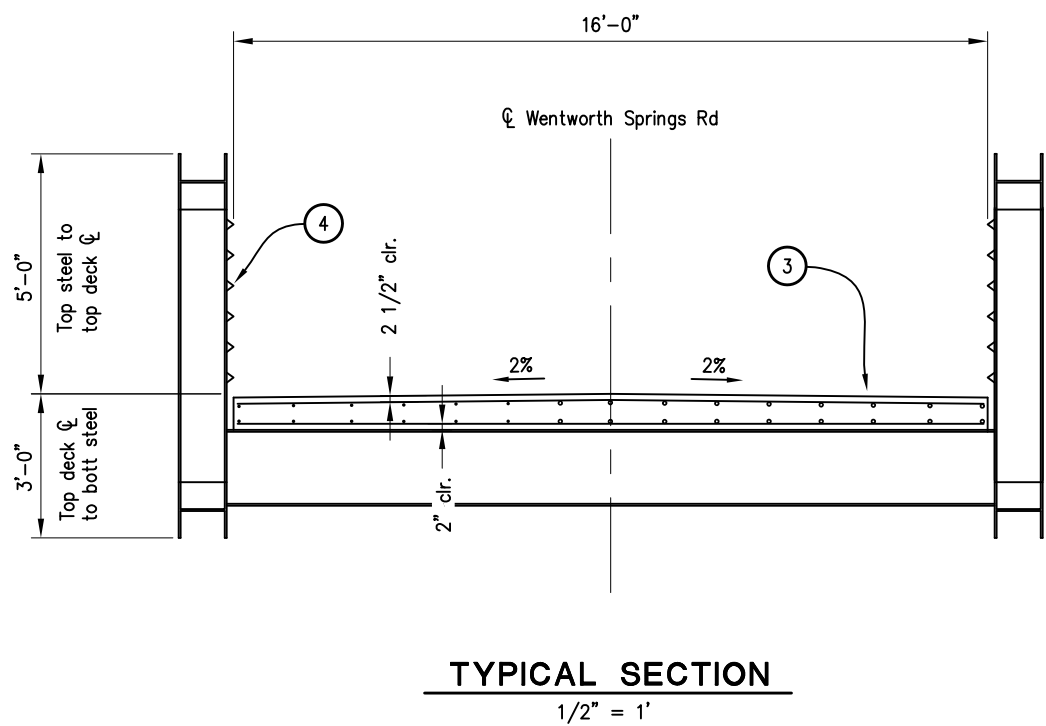
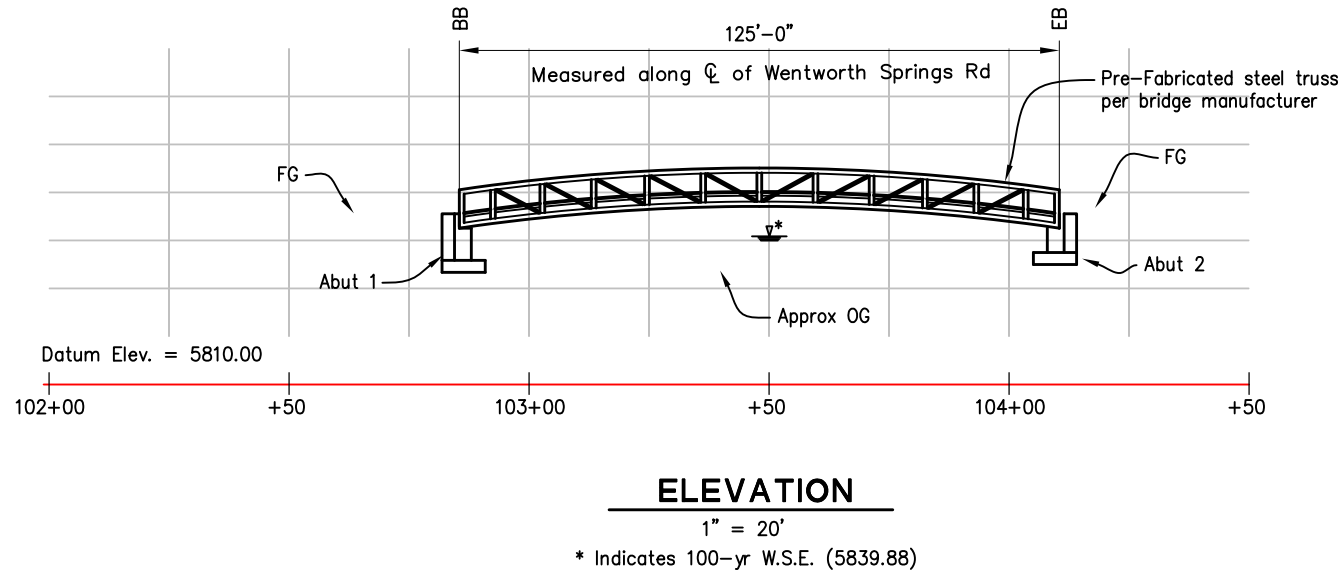
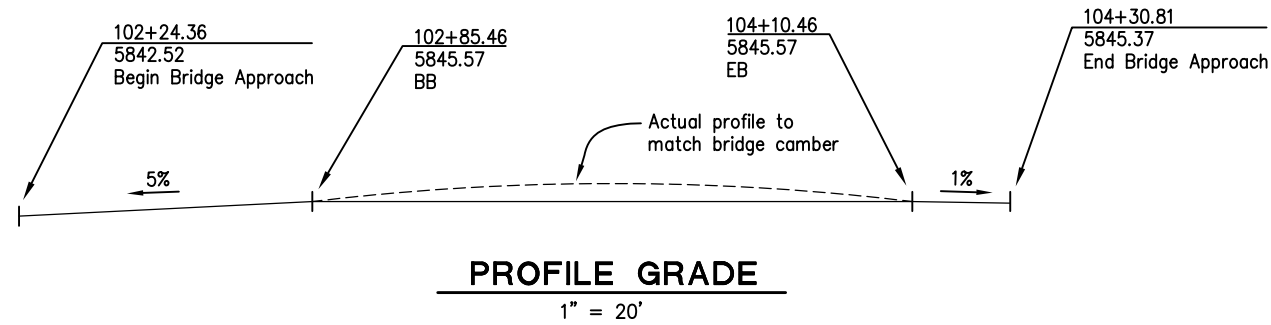
EL DORADO COUNTY
 DEPARTMENT OF TRANSPORTATION

WENTWORTH SPRINGS ROAD
 at GERLE CREEK
 BRIDGE REPLACEMENT PROJECT

SHEET
R-1
 5 OF 13
 W.O. No. 77118

NUMBER	DATE	DESCRIPTION	BY

ORIGINAL SCALE IS IN INCHES
Drawing name: C:\civil 3D\Projects\77118 Gerle Creek\CADD\Files\Sheets\1-2.dwg Layout Tab: S-1 Feb 28, 2012 - 10:03am DHarrington



NOTES

- ① Paint "Wentworth Springs Road"
- ② Paint "Br. No. 25-0131"
- ③ Reinf. Concrete Slab Deck (design by bridge manufacturer). All bridge deck reinforcing steel to be epoxy coated.
- ④ Angle Safety Rail
- ⑤ Object Marker (Type P), Mounted to Truss

INDEX TO PLANS

Sheet No.	Title
S-1	General Plan
S-2	Index to Plans
S-3	Foundation Plan
S-4	Abutment Layout
S-5	Abutment Details
S-6	Sidewall Details
S-7	Rock Slope Protection
S-8	Log of Test Borings

GENERAL PLAN

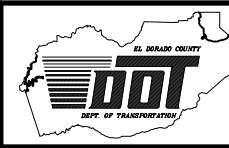
REVISION	NUMBER	DATE	DESCRIPTION	BY



PREPARED UNDER THE SUPERVISION OF :

 REGISTERED CIVIL ENGINEER
 DATE: 2/22/12

DESIGNED: DH
 DRAWN: DH
 CHECKED: RC
 DATE: 12/2/11
 ROAD NUMBER:



EL DORADO COUNTY
DEPARTMENT OF TRANSPORTATION

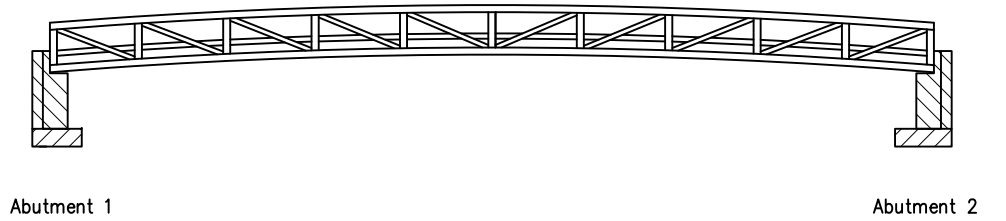
WENTWORTH SPRINGS ROAD
at GERLE CREEK
BRIDGE REPLACEMENT PROJECT

SHEET
S-1
 6 OF 13
 W.O. No. **77118**

ORIGINAL SCALE IS IN INCHES
 Drawing name: C:\Civil 3D Projects\77118 Gerle Creek\CADD Files\Sheets\2.dwg
 Layout Tab: S-2 Feb 24, 2012 - 4:55pm Dharrington
 FOR REDUCED PLANS

GENERAL NOTES

DESIGN: AASHTO LRFD Bridge Design Specifications, 3rd Edition with interims through 2006 and the Caltrans Amendments v3.06.01 except that the abutments are designed using Bridge Design Specifications (LFD Version, April 2000).
SEISMIC DESIGN: CALTRANS Seismic Design Criteria (SDC), Version 1.4, June 2006.
DEAD LOAD: No allowance for future wearing surface.
LIVE LOADING: HL-93 and permit design load.
SNOW LOAD: 291 psf
SEISMIC LOADING: SDC ARS Curve for Soil Profile Type D
 Site Specific Calculated Spectra Curve
 West Tahoe - Dollar Point Fault, Magnitude = 7.0
REINFORCED CONCRETE: $F_y = 60$ ksi
 $f'_c = 3.6$ ksi
 $n = 8$



CONCRETE TYPE AND LIMITS

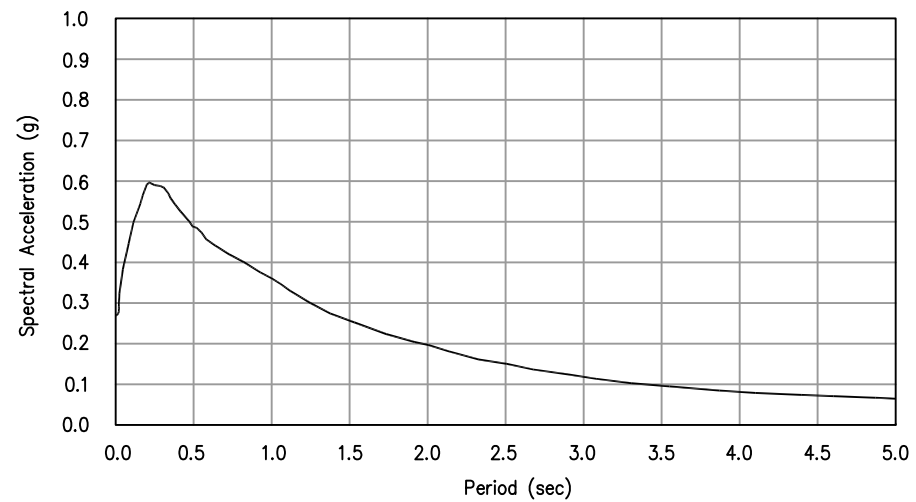
NO SCALE

- Structural Concrete, Bridge
- Structural Concrete, Bridge Footing

BRIDGE SUPPORT REACTIONS

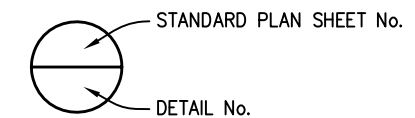
Loading Type	Maximum Design Reactions (kips)	
	Abut 1	Abut 2
Vertical Dead Load	200	200
Vertical Live Loads	107 (HL-93)	107 (HL-93)
	215 (P-15)	215 (P-15)
	291 (Snow)	291 (Snow)
Seismic Load	90	90
Wind Loads	20 (Lateral)	20 (Lateral)
	6 (Uplift)	6 (Uplift)

ACCELERATION RESPONSE SPECTRA CURVE



STANDARD PLANS DATED MAY 2006

- A10A ACRONYMS AND ABBREVIATIONS (A-L)
- A10B ACRONYMS AND ABBREVIATIONS (M-Z)
- A10C SYMBOLS (Sheet 1 of 2)
- A10D SYMBOLS (Sheet 2 of 2)
- A62C LIMITS OF PAYMENT FOR EXCAVATION AND BACKFILL - BRIDGE
- BO-3 BRIDGE DETAILS



INDEX TO PLANS

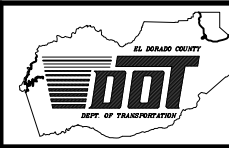
REVISION	NUMBER	DATE	DESCRIPTION	BY



PREPARED UNDER THE SUPERVISION OF :

 REGISTERED CIVIL ENGINEER
 DATE: 2/22/12

DESIGNED: DH
 DRAWN: DH
 CHECKED: RC
 DATE: 12/2/11
 ROAD NUMBER:

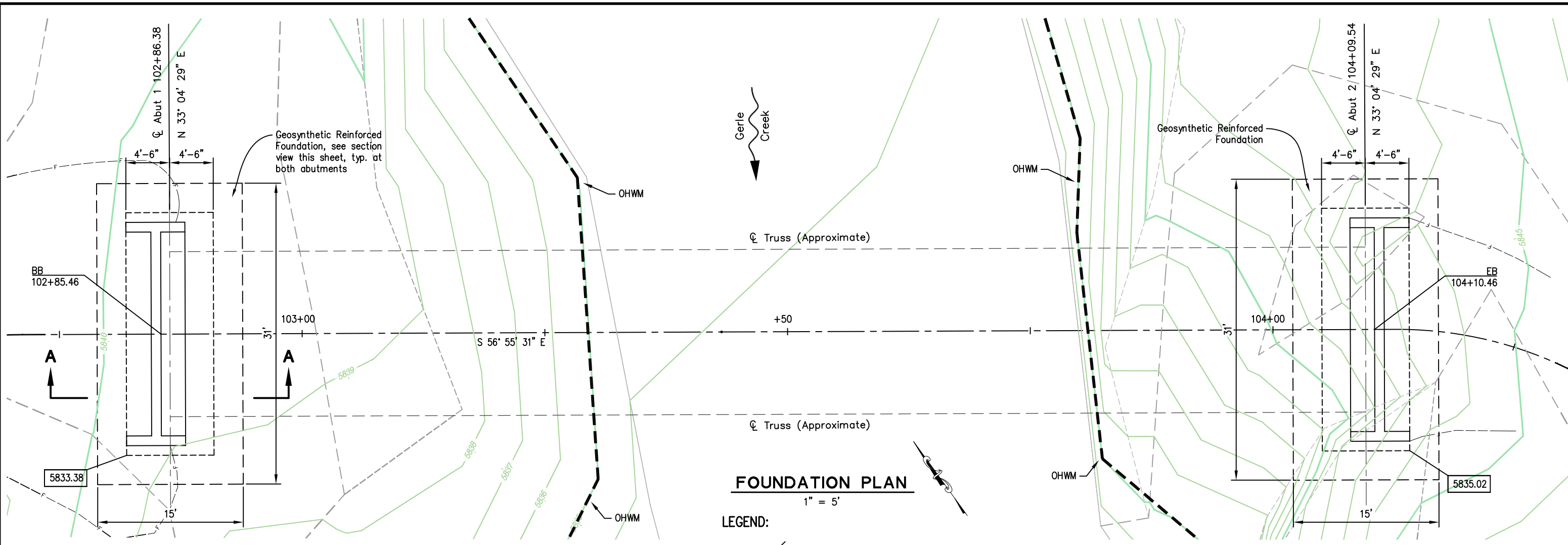


EL DORADO COUNTY
DEPARTMENT OF TRANSPORTATION

WENTWORTH SPRINGS ROAD
at GERLE CREEK
BRIDGE REPLACEMENT PROJECT

SHEET
S-2
 7 OF 13
 W.O. No. **77118**

ORIGINAL SCALE IS IN INCHES
 Drawing name: C:\Civil 3D\Projects\77118 Gerle Creek\CADD_Files\Sheets\2.dwg Layout Tab: S-3 Feb 23, 2012 - 5:22pm Dharrington
 FOR REDUCED PLANS



FOUNDATION PLAN
 1" = 5'

LEGEND:

- Bottom of Footing Elevation
- Indicates Direction of Water Flow

NOTE: Footings shall be centered on geosynthetic reinforced foundation mats.

OHWM Ordinary High Water Mark (Approx. 5835')

CONSTRUCTION NOTES:

- ① — GEOTEXTILE FABRIC
- ② — UNDISTURBED NATIVE SOIL
- ③ — REINFORCED GRANULAR FILL — GENERAL OR WET GRADATION TO BE USED DEPENDING ON SOIL CONDITION ENCOUNTERED — SEE SPECS.
- ④ — 3/4" MIN DIA CLEAN CRUSHED ROCK
- ⑤ — BIAXIAL GEOGRID — WRAP AS SHOWN WITH 1' OVERLAP
- ⑥ — COMPACTED FINISH GRADE

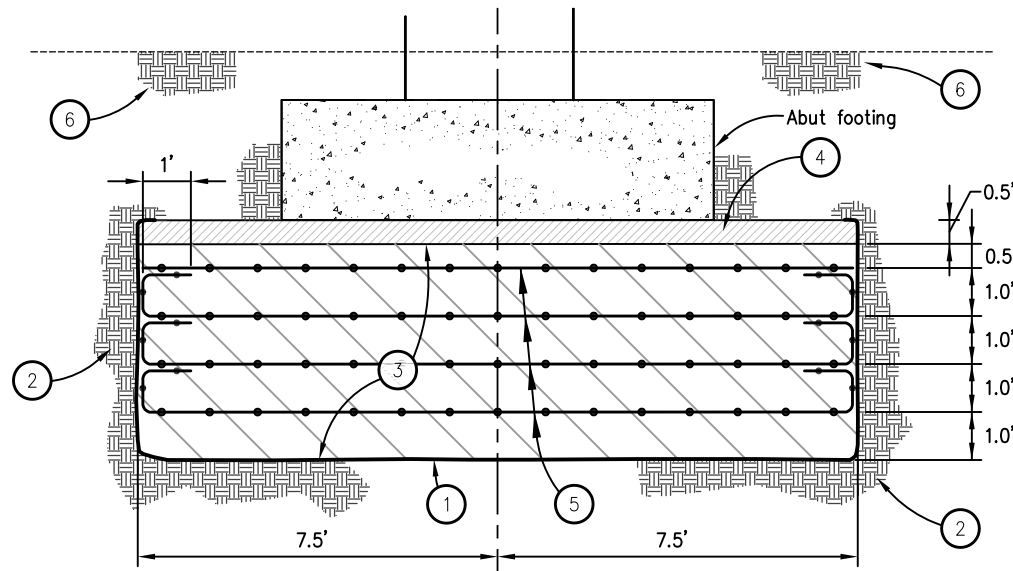
HYDRAULIC SUMMARY

Drainage Area = 21.19 sq. mi.

	Design Flood	Base Flood
Frequency (years)	50	100
Discharge (cfs)	2918	4003
Water Surface Elevation (ft)*	5838.82	5839.88

* Calculated elevation of water surface measured at the upstream face of the bridge.

NOTE: Floodplain data are based upon information available when the plans were prepared and are shown to meet Federal requirements. This information is for the purposes of bridge design only, and any interested or affected parties should make their own investigation.



SECTION A-A
 NTS

FOUNDATION PLAN

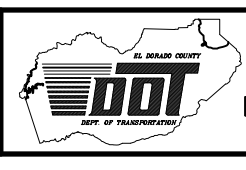
REVISION	NUMBER	DATE	DESCRIPTION	BY



PREPARED UNDER THE SUPERVISION OF:

 REGISTERED CIVIL ENGINEER
 DATE: 2/22/12

DESIGNED: DH
 DRAWN: DH
 CHECKED: RC
 DATE: 2/2/12
 ROAD NUMBER:

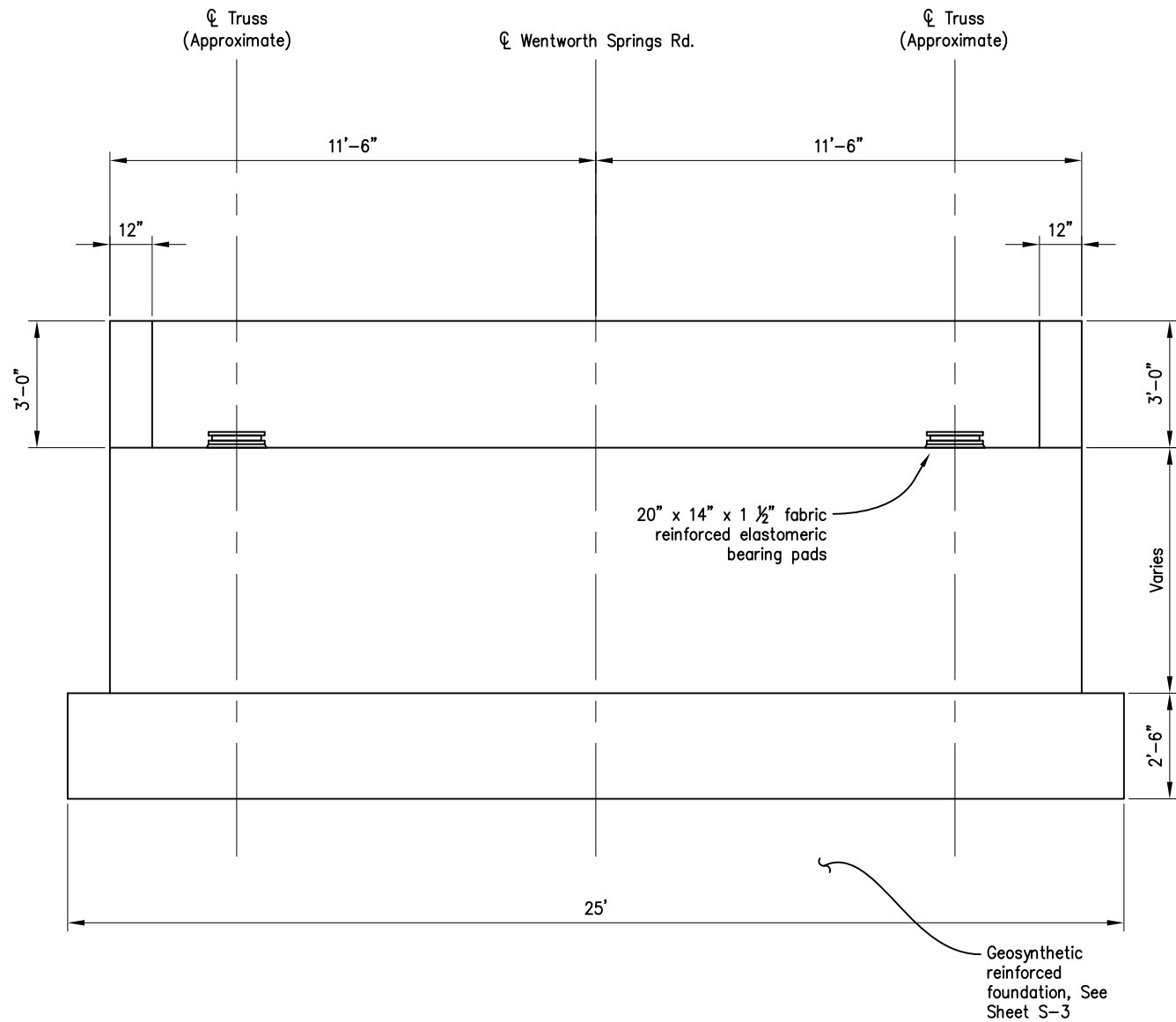


EL DORADO COUNTY
 DEPARTMENT OF TRANSPORTATION

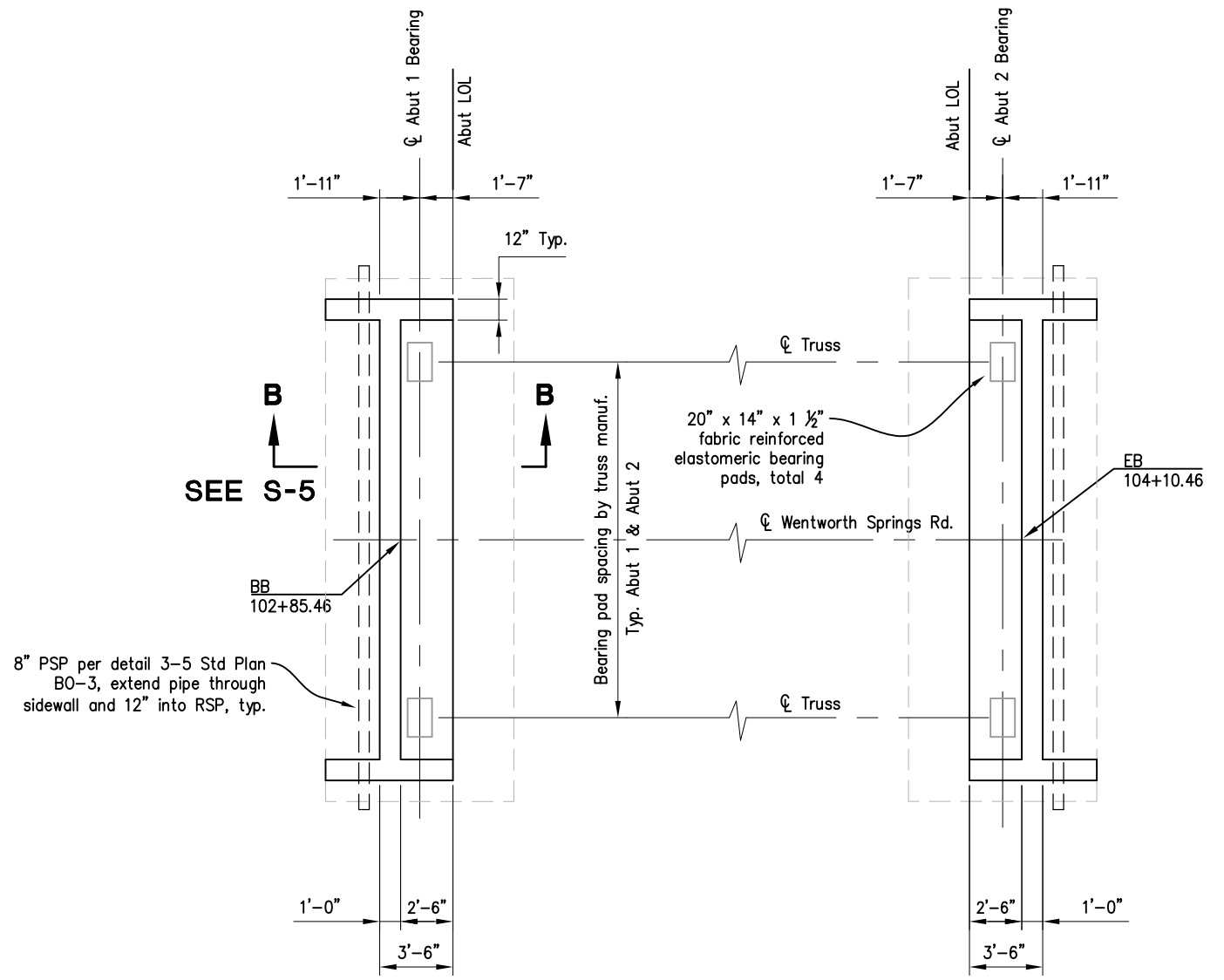
WENTWORTH SPRINGS ROAD
 at GERLE CREEK
 BRIDGE REPLACEMENT PROJECT

SHEET
S-3
 8 OF 13
 W.O. No. 77118

ORIGINAL SCALE IS IN INCHES
 Drawing name: C:\Civil 3D Projects\77118 Gerle Creek\CADD Files\Sheets\2.dwg Layout Tab: S-4 Feb 28, 2012 - 9:52am Dharrington
 FOR REDUCED PLANS



ELEVATION
1/2" = 1'-0"



PLAN
1/4" = 1'-0"

ABUTMENT LAYOUT

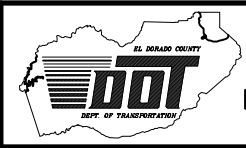
REVISION	NUMBER	DATE	DESCRIPTION	BY



PREPARED UNDER THE SUPERVISION OF :

 REGISTERED CIVIL ENGINEER
 DATE: 2/22/12

DESIGNED: DH
 CHECKED: RC
 ROAD NUMBER:
 DRAWN: DH
 DATE: 12/2/11

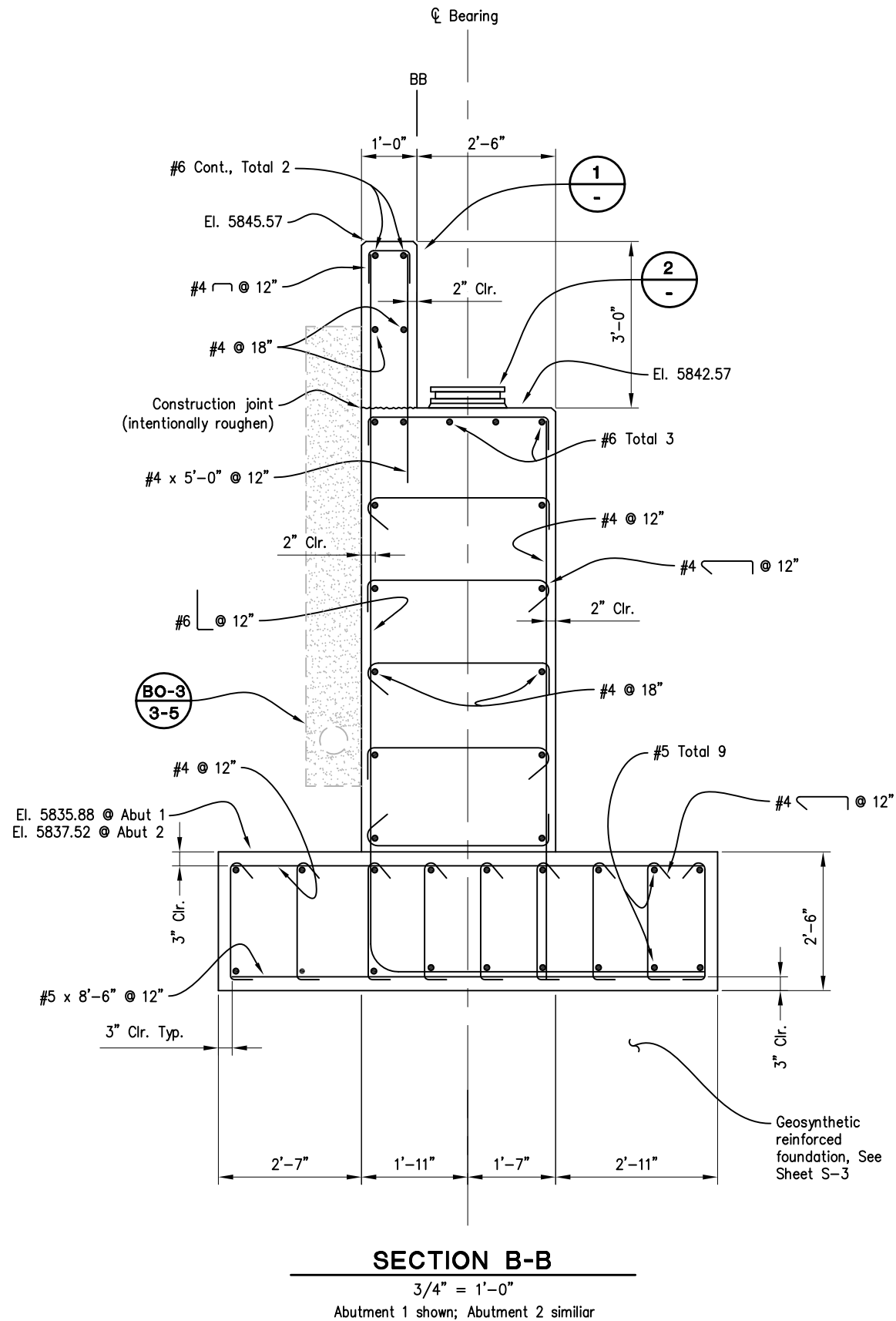


EL DORADO COUNTY
DEPARTMENT OF TRANSPORTATION

WENTWORTH SPRINGS ROAD
at GERLE CREEK
BRIDGE REPLACEMENT PROJECT

SHEET
S-4
 9 OF 13
 W.O. No. 77118

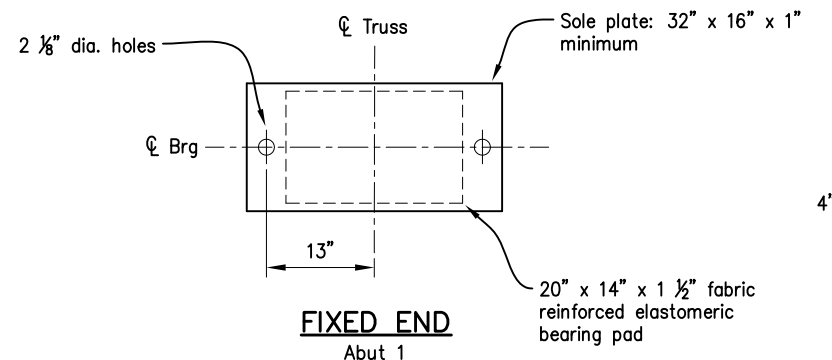
ORIGINAL SCALE IS IN INCHES
Drawing name: C:\Civil 3D\Projects\77118 Gerle Creek\CADD Files\Sheets\2.dwg Layout Tab: S-5 Feb 28, 2012 - 9:55am Dharrington
FOR REDUCED PLANS



SECTION B-B

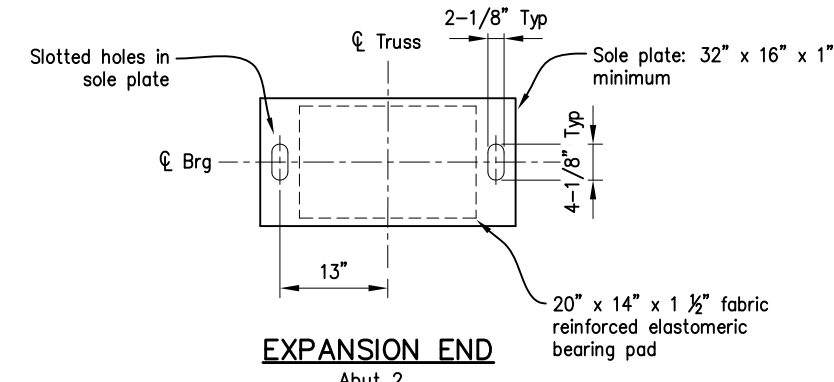
3/4" = 1'-0"

Abutment 1 shown; Abutment 2 similar



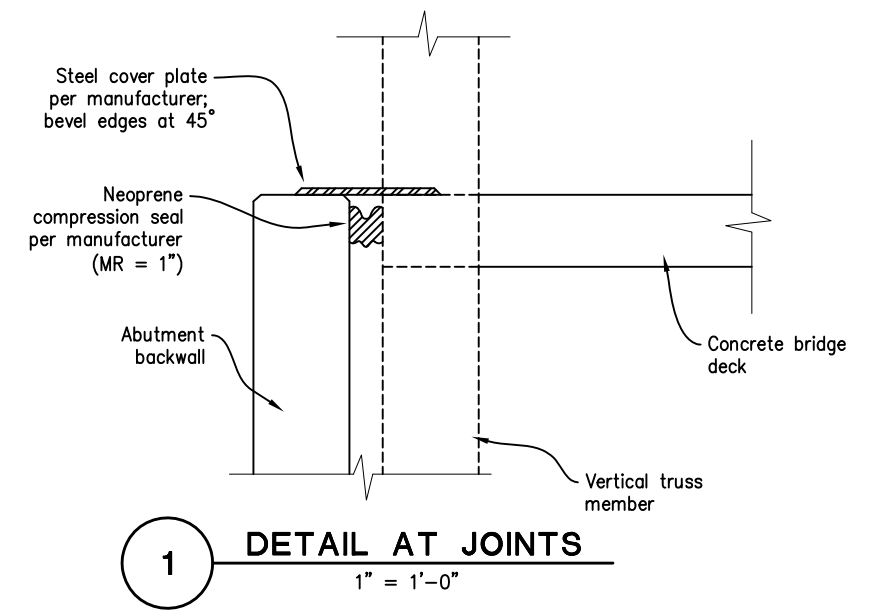
FIXED END

Abut 1



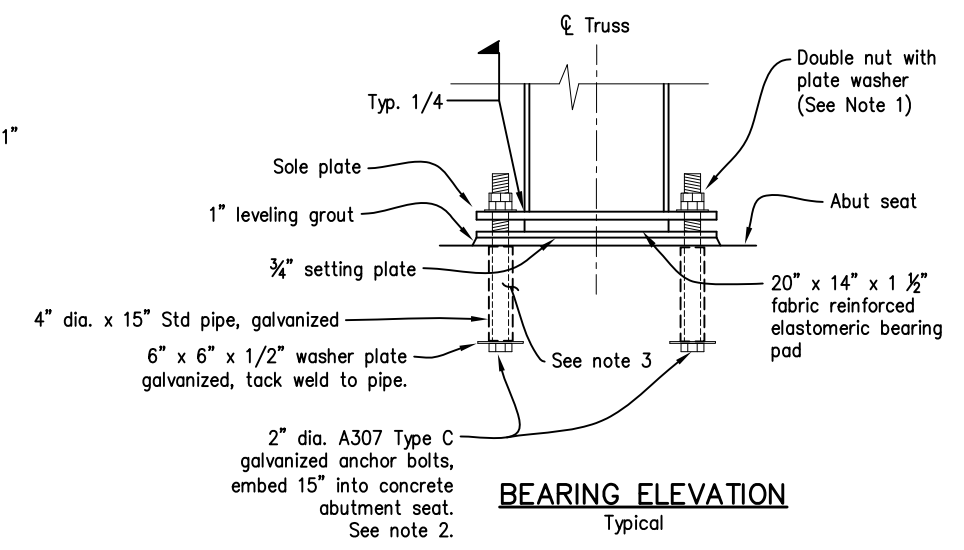
EXPANSION END

Abut 2



1 DETAIL AT JOINTS

1" = 1'-0"



BEARING ELEVATION

Typical

2 BEARING PAD ASSEMBLY

1" = 1'-0"

NOTES

- Expansion End: Tighten bottom nut, loosen 1/4 turn and tighten top nut to bottom nut to allow movement. Fixed End: Both nuts shall be snug tight.
- Slightly move anchor bolt laterally after abutment stem concrete is placed to allow some play for future girder erection.
- Fill pipe with grout containing an approved non-shrink additive after erecting girder and sole plate. Do not fill with grout at future girder locations.

ABUTMENT DETAILS



PREPARED UNDER THE SUPERVISION OF:
[Signature]
REGISTERED CIVIL ENGINEER
2/22/12

DESIGNED: DH
DRAWN: DH
CHECKED: RC
DATE: 12/2/11
ROAD NUMBER:

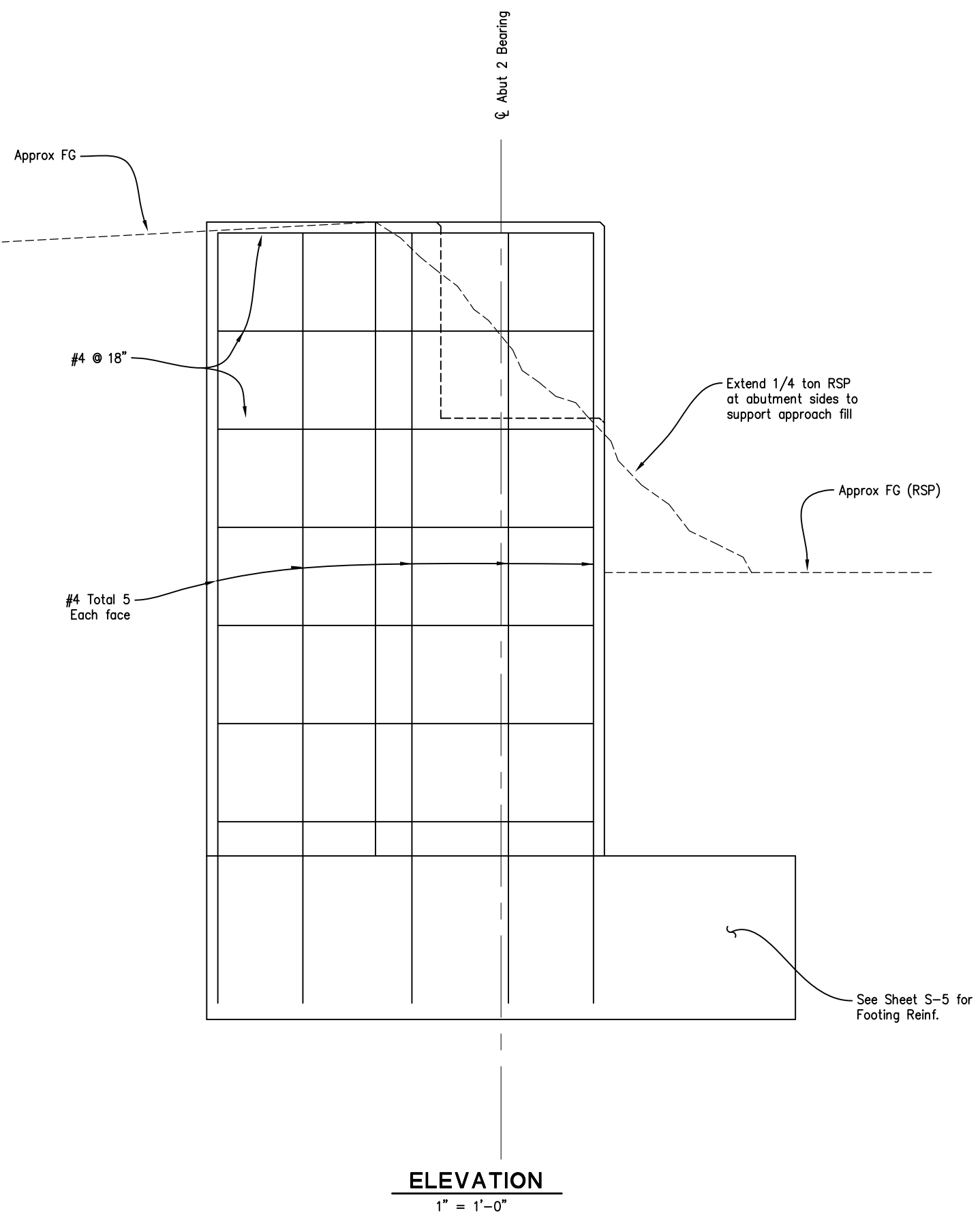


EL DORADO COUNTY
DEPARTMENT OF TRANSPORTATION

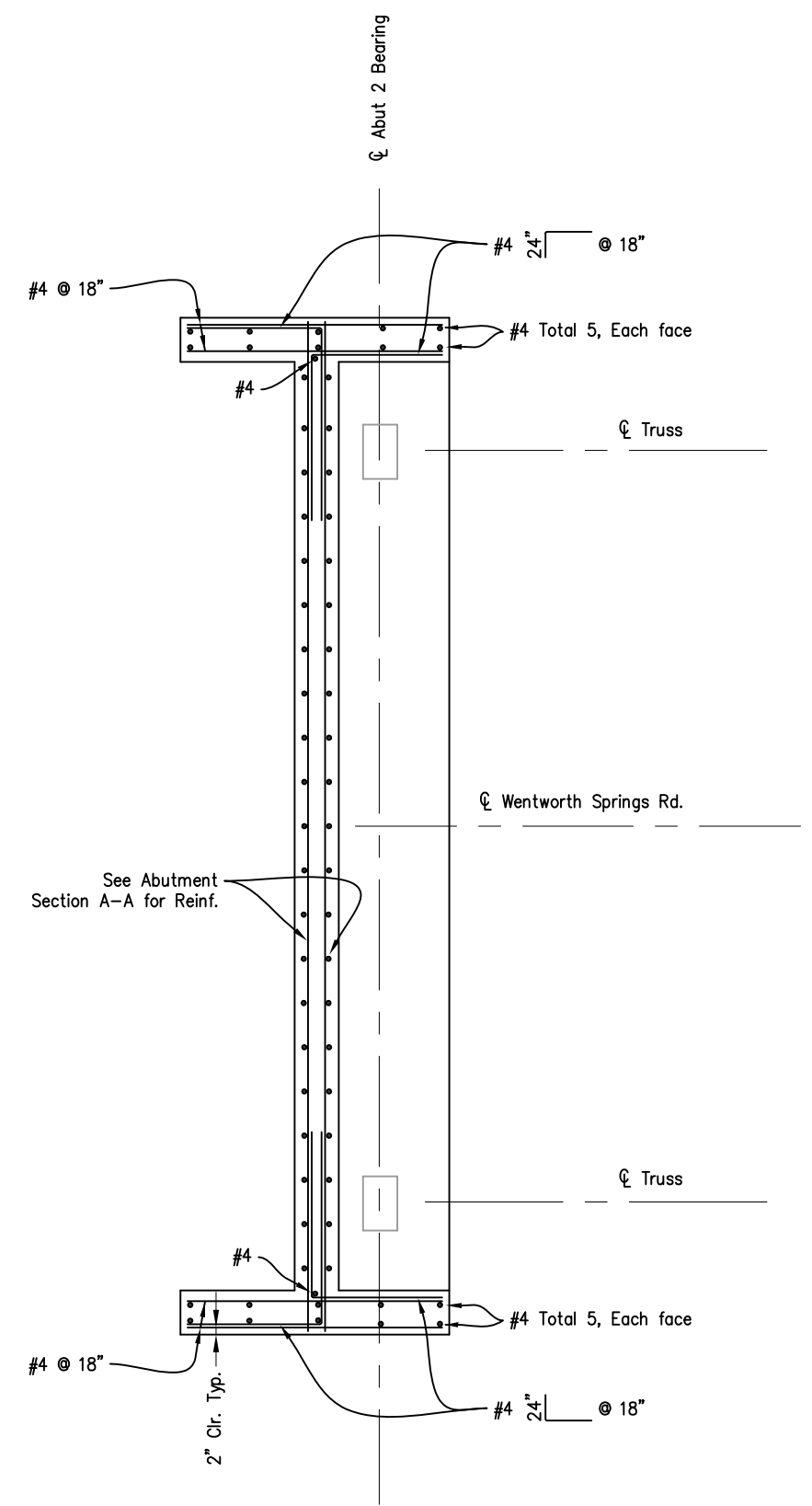
WENTWORTH SPRINGS ROAD
at GERLE CREEK
BRIDGE REPLACEMENT PROJECT

SHEET
S-5
10 OF 13
W.O. No. **77118**

ORIGINAL SCALE IS IN INCHES
 Drawing name: C:\Civil 3D Projects\77118 Gerle Creek\CADD Files\Sheets\2.dwg Layout Tab: S-6 Feb 22, 2012 - 11:21am Dharrington
 FOR REDUCED PLANS



ELEVATION
1" = 1'-0"



PLAN
1/2" = 1'-0"
Abut 1 shown, Abut 2 similar.

SIDEWALL DETAILS

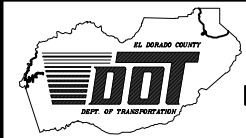
REVISION	NUMBER	DATE	DESCRIPTION	BY



PREPARED UNDER THE SUPERVISION OF :

 REGISTERED CIVIL ENGINEER
 DATE: 2/22/12

DESIGNED: DH
 DRAWN: DH
 CHECKED: RC
 DATE: 12/2/11
 ROAD NUMBER:

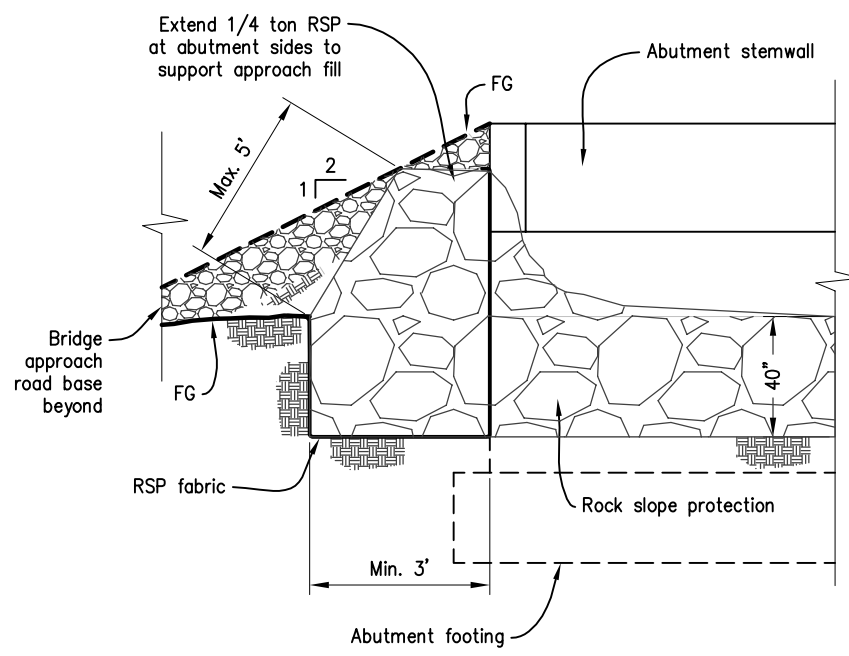


EL DORADO COUNTY
DEPARTMENT OF TRANSPORTATION

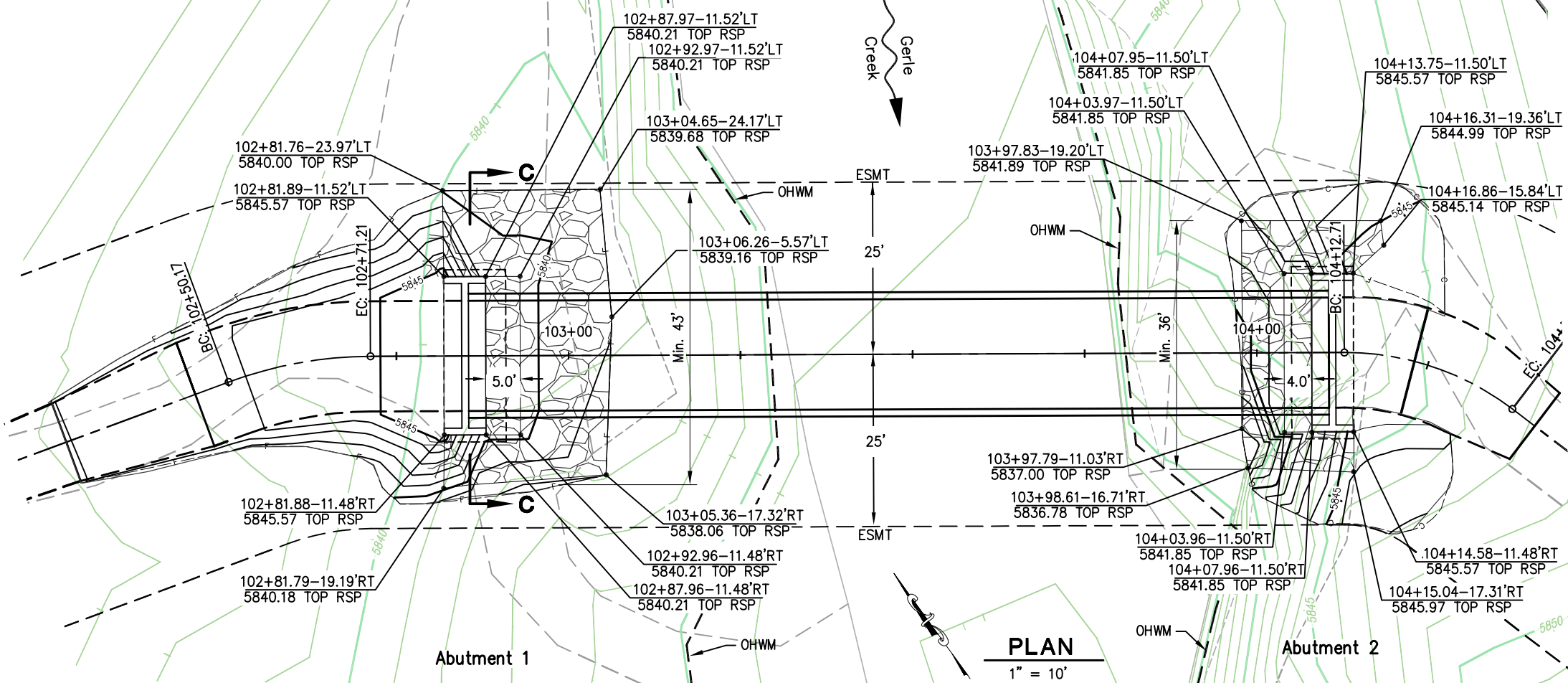
WENTWORTH SPRINGS ROAD
at GERLE CREEK
BRIDGE REPLACEMENT PROJECT

SHEET
S-6
 11 OF 13
 W.O. No. 77118

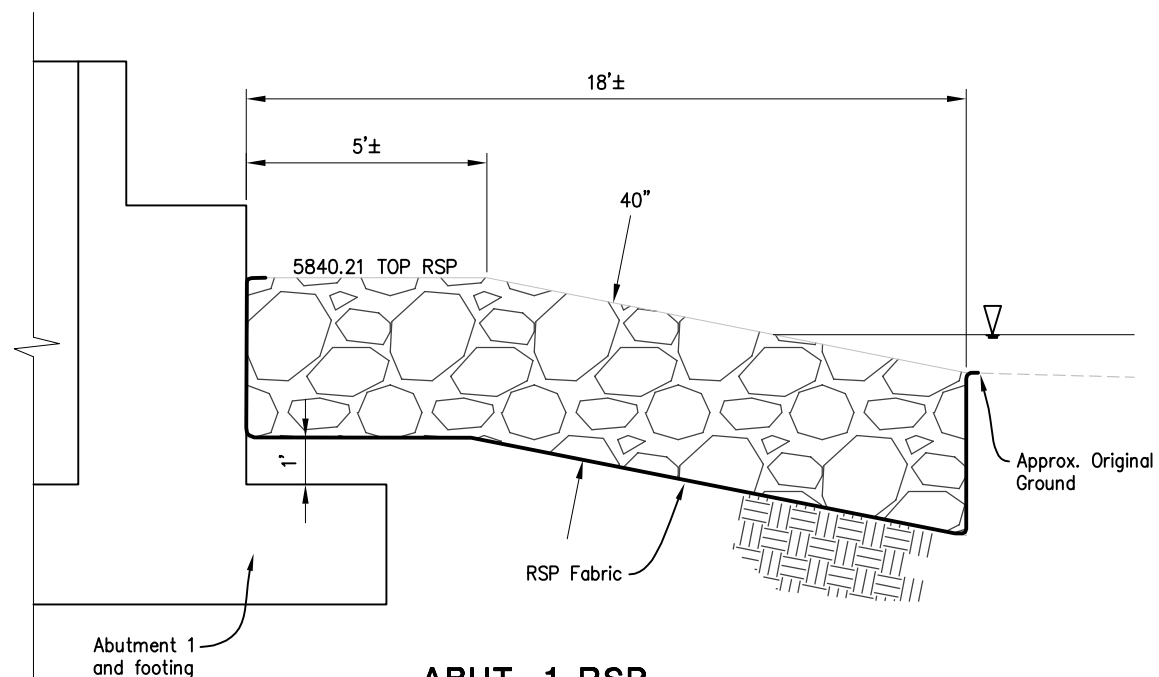
ORIGINAL SCALE IS IN INCHES
 Drawing name: C:\Civil 3D Projects\77118 Gerle Creek\CADD Files\Sheets\2.dwg Layout Tab: S-7 Feb 27, 2012 - 3:47pm richards
 FOR REDUCED PLANS



SECTION C-C
3/8" = 1'

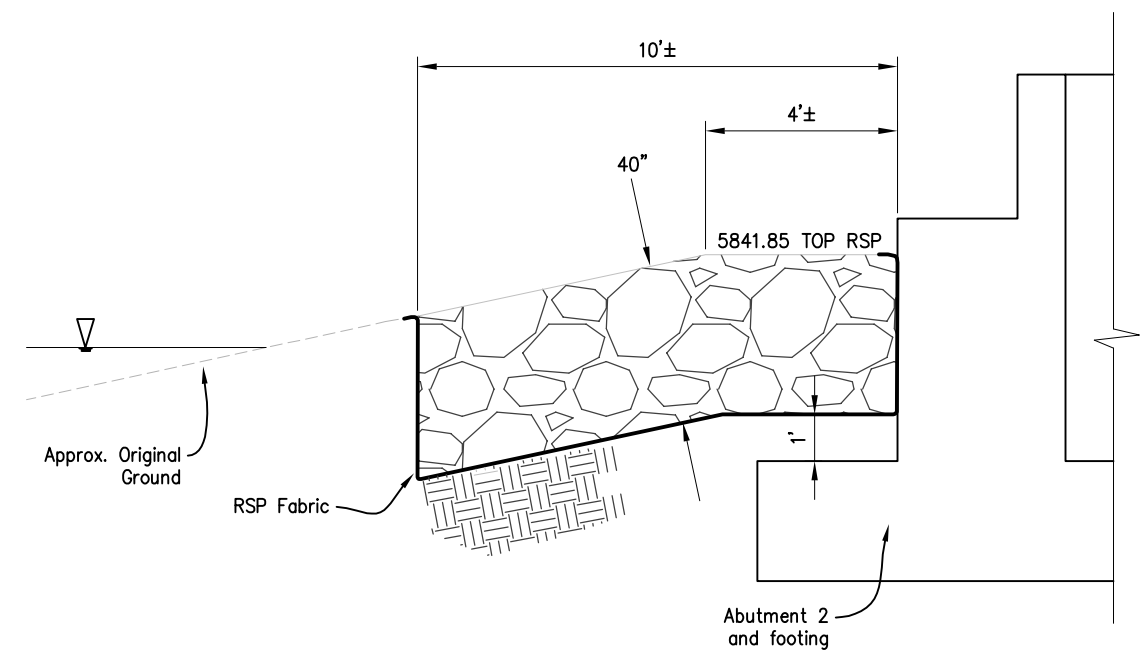


PLAN
1" = 10'



ABUT. 1 RSP
1" = 2'
(Truss bridge not shown for clarity)

- Indicates limits of 1/4 Ton Rock Slope Protection (Method B Placement)
- Indicates 100 year design storm water surface
- OHWM** ORDINARY HIGH WATER MARK (APPROX. 5835')
- RSP ELEVATIONS SHOWN ARE TO THE TOP OF THE 40 INCH THICKNESS



ABUT. 2 RSP
1" = 2'
(Truss bridge not shown for clarity)

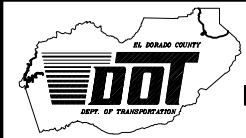
ROCK SLOPE PROTECTION



PREPARED UNDER THE SUPERVISION OF:

 REGISTERED CIVIL ENGINEER
 DATE: 2/22/12

DESIGNED: DH
 DRAWN: DH
 CHECKED: RC
 DATE: 12/2/11
 ROAD NUMBER:



EL DORADO COUNTY
 DEPARTMENT OF TRANSPORTATION

WENTWORTH SPRINGS ROAD
 at GERLE CREEK
 BRIDGE REPLACEMENT PROJECT

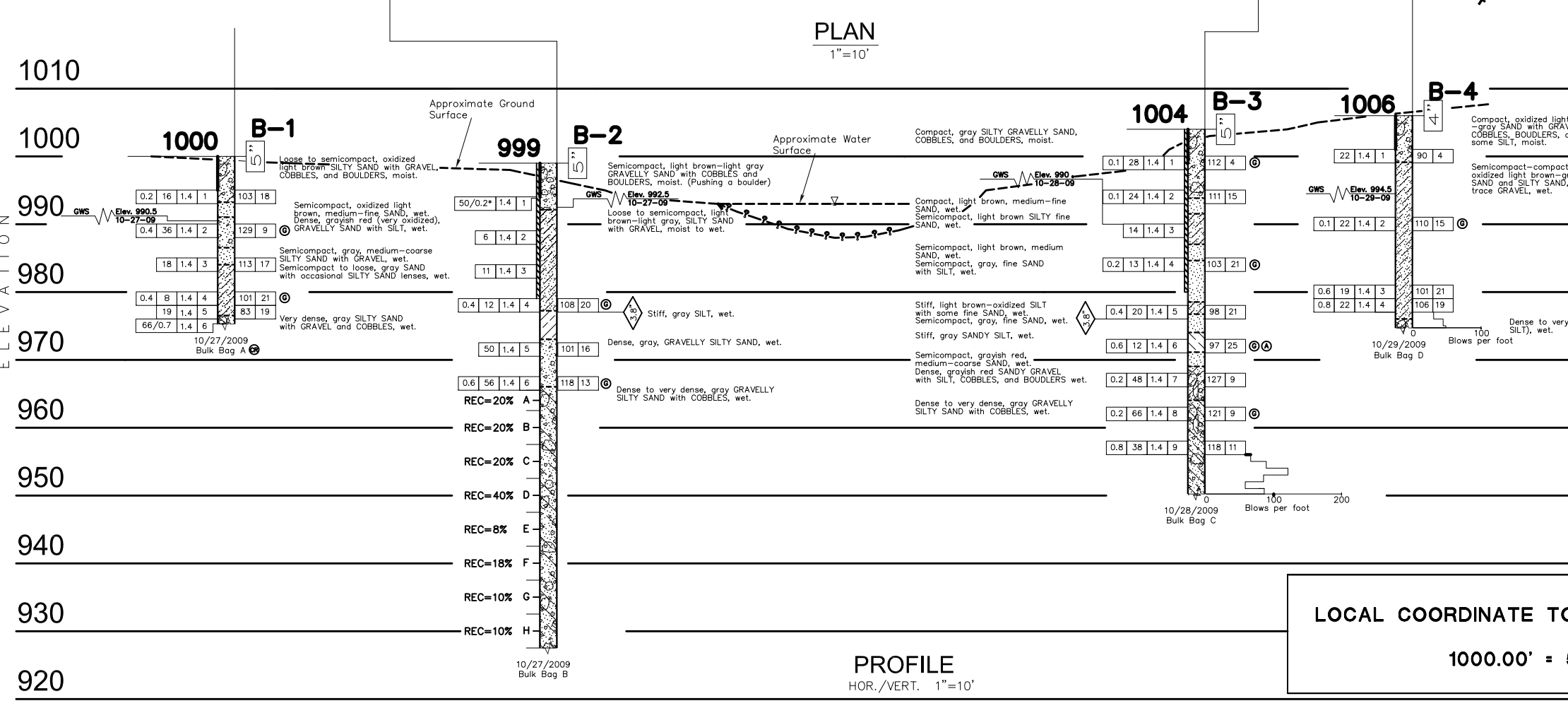
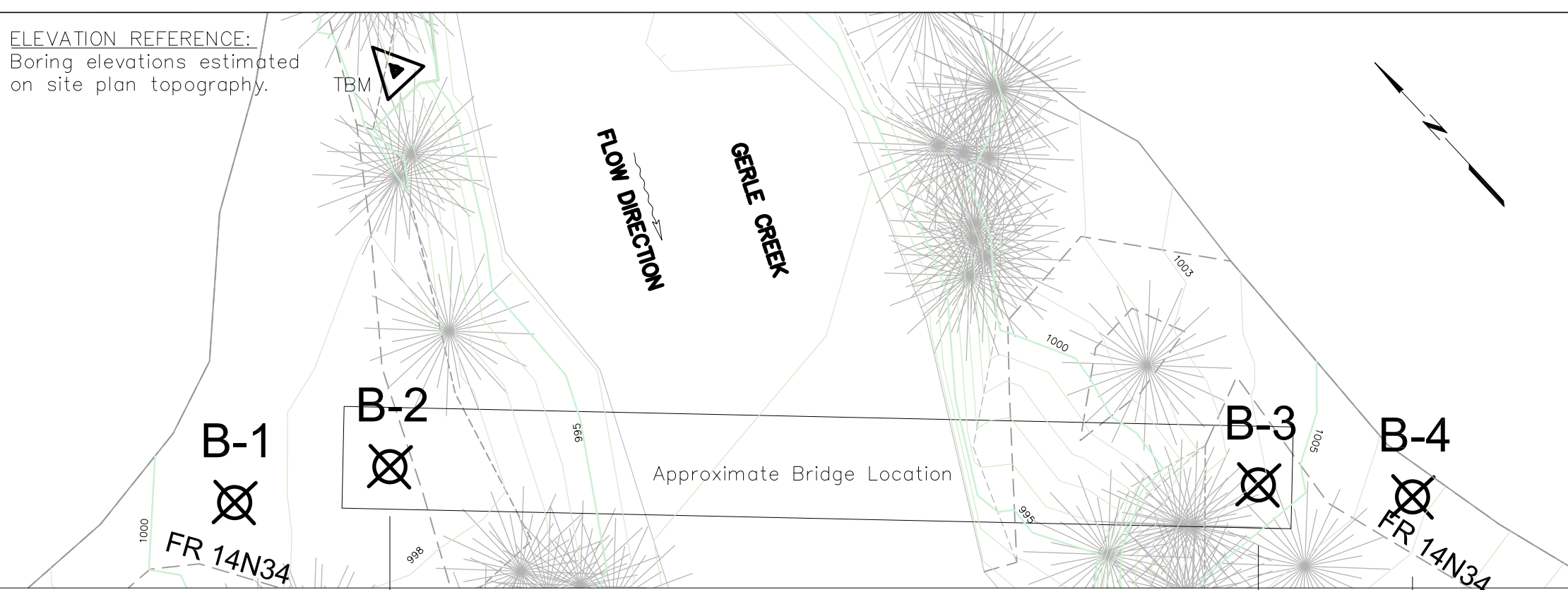
SHEET
S-7
 12 OF 13
 W.O. No. 77118

LEGEND OF BORING OPERATIONS

LEGEND OF EARTH MATERIALS

CONSISTENCY CLASSIFICATION FOR SOILS

NOTE: Classification of earth material as shown on this sheet is based upon field inspection and is not to be construed to imply mechanical analysis.



DIST.	COUNTY	ROUTE	SHEET	SHEET NO.	TOTAL SHEETS
03	ED	C.R.	S-8	13	13

CERTIFIED ENGINEERING GEOLOGIST
No. 2412
EXPIRES 12-31-11

PLANS APPROVAL DATE

TABER CONSULTANTS
3911 West Capitol Avenue
West Sacramento, CA 95691-2116

JOB No. 2009-0152 **LOCATION:** 39120-A4; 15N; 21W

- NOTES:**
- Field classification of soils was in accordance with ASTM D 2488-00 "Description and Identification of Soils (Visual-Manual Procedure)" and the CALTRANS "Soil and Rock Logging, Classification, and Presentation Manual" (June 2007).
 - Standard Penetration tests were performed in accordance with ASTM D 1586-99 using a hammer operated with an automated drop system. Drill rods were 1 5/8-inch diameter "A"-rods; sampler was driven with brass liners.
 - The length of each sampled interval is shown graphically on the boring log. Whole number blow counts ("N") represent the "standard penetration resistance" interval in accordance with ASTM D1586-99. Where less than 1 foot of penetration is achieved, the blow count shown is for that fraction of the "standard penetration resistance" interval actually penetrated.
 - Where indicated by an asterisk (*) the number of blows shown is for only that fraction of the initial 0.5 ft. "seating drive" interval penetrated.
 - REC = Core Recovery (percent).
 - Groundwater (GWS) elevations in the borings indicated on the Log of Test Boring Sheets reflect the fluid level in the borings on the specified date. If groundwater was not encountered it is indicated below the boring log.
 - Groundwater surface elevations are subject to seasonal fluctuations and may occur at higher or lower elevations depending on the conditions at any particular time.
 - Elevations are reported in feet.
 - Electronic media for plan view provided by El Dorado County Department of Transportation.
 - Channel profile and water surface based on site plan topography.

DESIGN OVERSIGHT	DRAWN BY	M. Lattin/K. Kajiwara	Glen Wade FIELD INVESTIGATOR	BRIDGE NO.	25C0131	GERLE CREEK BRIDGE
SIGN OFF DATE	CHECKED BY	D. A. Kitzmann	DATE October 2009	POST MILE		
PREPARED FOR EL DORADO COUNTY DEPARTMENT OF TRANSPORTATION				PROJECT ENGINEER	LOG OF TEST BORINGS	
ORIGINAL SCALE IN INCHES FOR REDUCED PLANS 0 1 2 3				CU EA	DISREGARD PRINTS BEARING EARLIER REVISION DATES	REVISION DATES (PRELIMINARY STAGE ONLY)
12/22/09 2009-0152 Gerle Creek Bridge LTB.dwg				SHEET 9 OF 9		11-0005.2C.13