

Exhibit L Landscape Plan
Exhibit M Landscape Plant List
Exhibit Q Monument Sign

Any deviations from the project description, conditions, or exhibits shall be reviewed and approved by the County for conformity with this approval. Deviations may require approved changes to the permit and/or further environmental review. Deviations without the above described approval will constitute a violation of permit approval.

The project description is as follows:

The project is for an active, senior adult, recreation facility that will be situated on approximately 4.8 acres. The recreation facility will consist of:

- A. A 4,605 square feet in size recreation building consisting of a work out room, aerobics room, bathrooms, locker rooms, and offices.
- B. Outdoor amenities will include one pool, one spa, ~~three~~ two lighted tennis courts, four lighted pickleball courts, central outdoor gathering area, and barbeques. Optionally the pool may be covered.
- C. An area for other passive uses to be determined based on needs assessments of future owners. This area will most likely contain horseshoe pits, shuffleboard courts, bocce courts, and putting green.
- D. The community center will be available to community homeowners and their guests only, and will be maintained by the Carson Creek Homeowners Association. Hours will be based on homeowners needs.

The grading, development, use, and maintenance of the property, the size, shape, arrangement, and location of structures, parking areas and landscape areas, and the protection and preservation of resources shall conform to the project description above and the hearing exhibits and conditions of approval below. The property and any portions thereof shall be sold, leased, or financed in compliance with this project description and the approved hearing exhibits and conditions of approval hereto. All plans must be submitted for review and approval and shall be implemented as approved by the County.

Attachment: Revised Exhibit H
New Exhibit Q

FITNESS CENTER - SITE CONSTRUCTION PLAN
 HERITAGE CARSON CREEK EL DORADO HILLS, CA

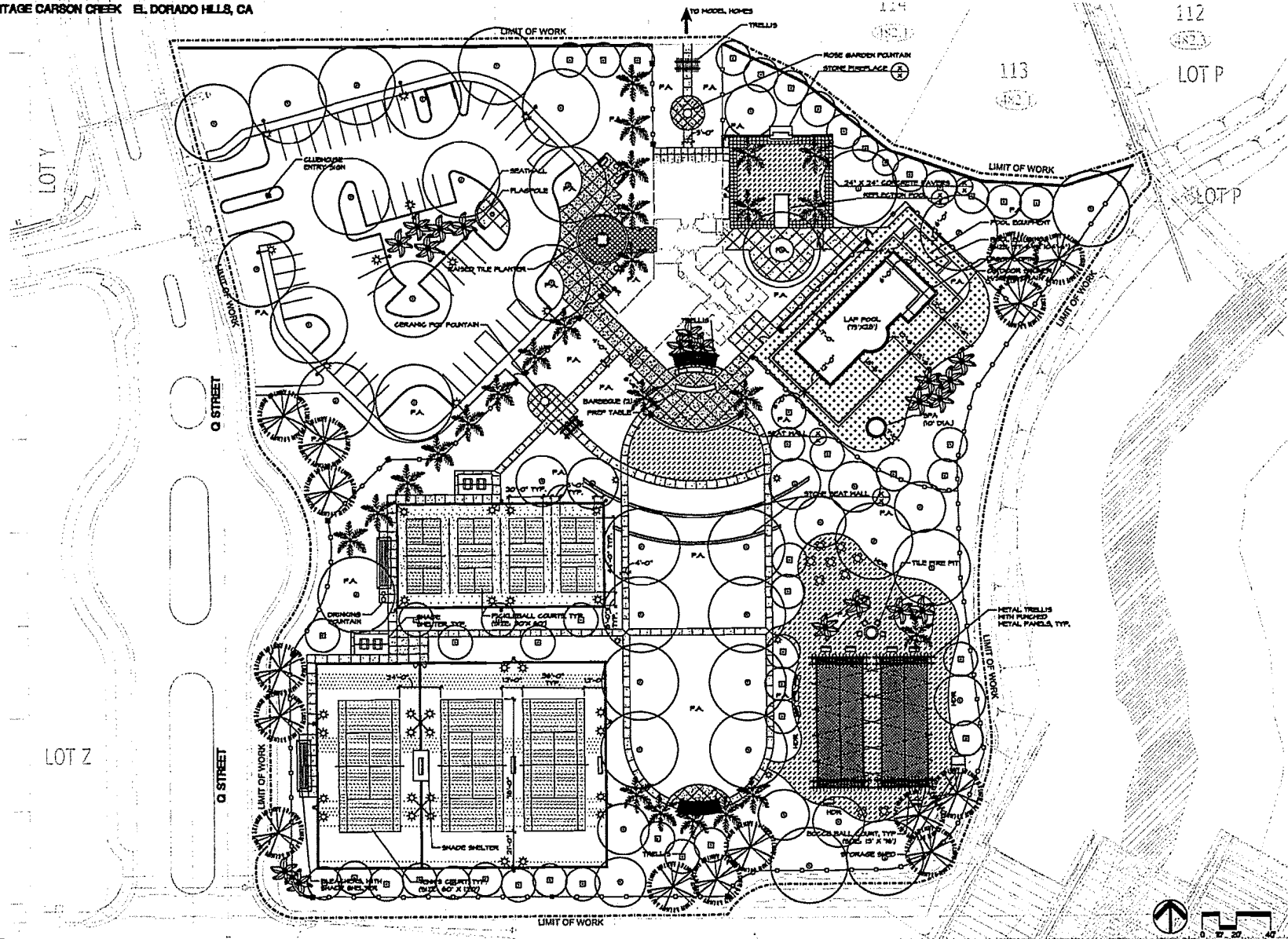


EXHIBIT H REVISED

RECEIVED
PLANNING DEPARTMENT

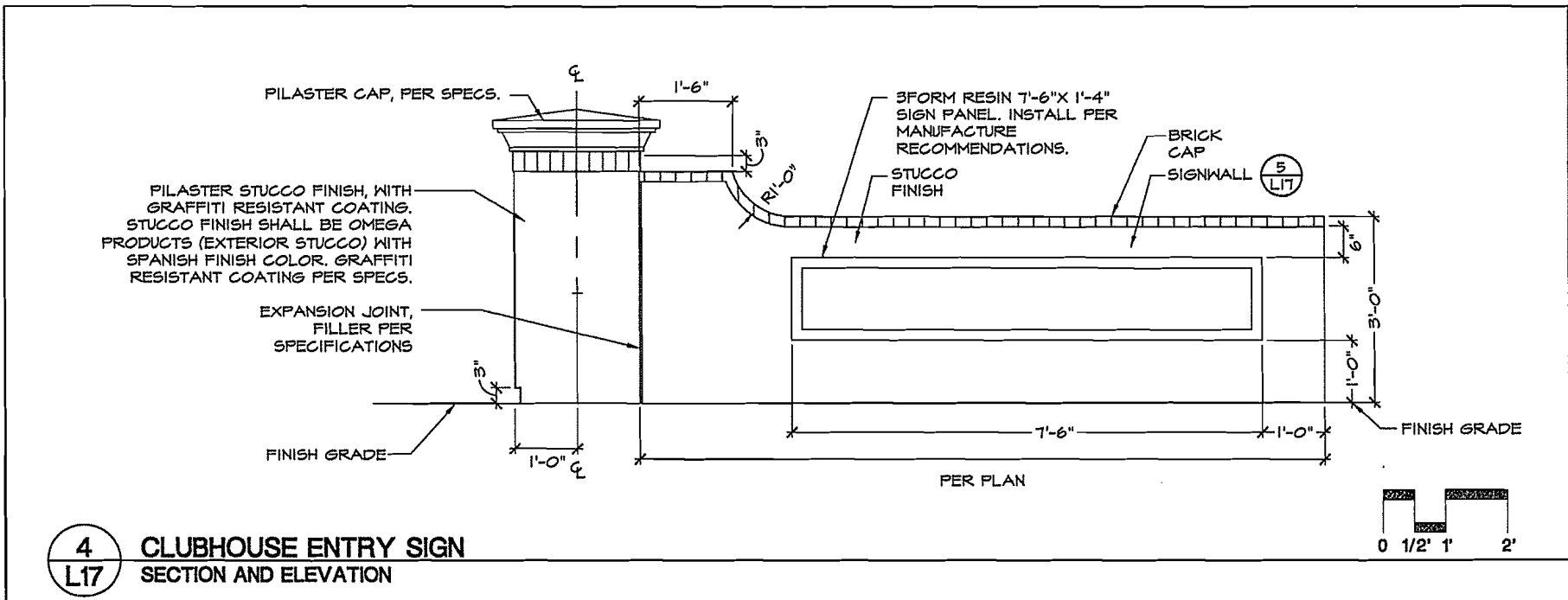


EXHIBIT Q