



CONSTRUCTION UNIT
 2441 Headington Road
 Placerville CA 95667
 Phone: (530) 642-4987
 Fax: (530) 295-2655

JAMES W. WARE, P.E.
 Director of Transportation

 Internet Web Site:
<http://co.el-dorado.ca.us/dot>

MAIN OFFICE:
 2850 Fairlane Court
 Placerville CA 95667
 Phone: (530) 621-5900
 Fax: (530) 626-0387



DATE: September 3, 2010

TO: All Prospective Bidders

SUBJECT: Addendum No. 1
White Rock Road Widening and Signalization
(Contract No. PW 09-30493, CIP No. 72372)

Submit proposals for this work with the understanding and full consideration of this addendum. The revisions declared in this addendum are essential parts of the Contract.

ITEM NO.	LOCATION-PAGE OR DRAWING NO.	INQUIRY/RESPONSE
2.01	N-2, SP-3	<p>Notice to Bidders and Section 2-1.02 "Required Listing of Proposed Subcontractors"</p> <p>Please replace "Required Listing of Proposed Subcontractors" Section in the Notice to Bidders and the first paragraph under 2-1.054 in Section 2-1.02 with the following:</p> <p><i>Each Proposal shall have listed therein the name, contractor's license number and address of each subcontractor to whom the bidder proposes to subcontract portions of the work in an amount in excess of 0.5 % of the total bid or \$10,000, whichever is greater, in accordance with the Subletting and Subcontracting Fair Practices Act, commencing with Section 4100 of the Public Contract Code. The Bidder shall also describe in the Subcontractor Listing the work to be performed by each subcontractor listed. The work to be performed by the subcontractor shall be shown by listing the bid item number, bid item description, and portion of the work to be performed by the subcontractor in the form of a percentage calculated by dividing the work to be performed by the subcontractor by the respective bid item amount(s) (not by the total bid price). The percentage of each bid item subcontracted may be submitted with the Bidder's bid or sent via email or fax to Janel Gifford, El Dorado County Department</i></p>

		<p>of Transportation, email-Janel.Gifford@edcgov.us, Fax-(530) 295-2655 by 4:00 p.m. on the first business day after the bid opening. The email or fax shall contain the name of each subcontractor submitted with the Bidder's bid along with the bid item number, bid item description, and the percentage of each bid item subcontracted, as described above. At the time the contract is awarded, all listed subcontractors shall be properly licensed to perform their designated portion of the work. The bidder's attention is directed to other provisions of the Act related to the imposition of penalties for failure to observe its provisions by using unauthorized subcontractors or by making unauthorized substitutions.</p>
2.02	SP-24	<p>Section 5-1.34 "Payments" Delete the following: 2. Progress Schedule \$2,000</p>
2.03	SP-56	<p>Section 10-1.11 "Temporary Pavement Delineation" In first sentence of the second paragraph under TEMPORARY TRAFFIC STRIPE (PAINT), delete "except for payment".</p>
2.04	SP-61 through SP-65	<p>Section 10-1.16 "Erosion Control (Type D)"</p> <p>On SP-61 and SP-62 under Legume Seed:</p> <ol style="list-style-type: none"> 1) delete items A through D; 2) In the Table for Legume Seed change the 16 {Pounds Pure Live Seed Per Acre} to 32. <p>On SP-62 under Non-Legume Seed:</p> <ol style="list-style-type: none"> 1) In the Table for Non-Legume Seed under HYDROSEEDED change 12 lbs to 24 lbs and in two locations change 9 lbs to 18 lbs. 2) Delete the BROADCASTED section of the Non-Legume Seed Table. <p>On SP 63-64 delete the section entitled Compost.</p>
2.05	SP-73	<p>Section 10-1.26 "Roadside Signs"</p> <p>Replace the first paragraph with the following: <i>"Roadside signs shall be furnished and installed at the locations shown on the plans or where designated by the Engineer and in conformance with the County of El Dorado Design and Improvement Standards Manual, revised March 8, 1994 including Resolutions 199-91 and 58-94 to adopt changes to the Design and Improvement Standards Manual, the MUTCD, the provisions in Section 56-2, "Roadside Signs," of the Standard Specifications and these special provisions."</i></p> <p>Delete the second and fifth paragraphs. In the sixth paragraph replace "M2G=VP56N" with "M2G-VP56N".</p>

2.06	Agreement Exhibit A page C-8	EXHIBIT A, CONTRACTOR'S BID AND BID PRICE SCHEDULE Replace Exhibit A, Contractor's Bid and Bid Price Schedule included in the Agreement section of the Contract Documents with Attachment A.
2.07	Proposal page P-3	PROPOSAL PAY ITEMS AND BID PRICE SCHEDULE Replace Proposal Pay Items and Bid Price Schedule included in the Proposal section of the Contract Documents with Attachment B.
2.08	P-5	Subcontractor Listing Form Replace the Subcontractor Listing Form included in the Proposal section of the Contract Documents with Attachment C.
2.09	Plan Sheet 3	Plan Sheet X-1 (Sheet 3 of 23) has been revised. Bidders are instructed to replace the original plan sheet 3 of 23 with plan sheet 3 of 23 with 9/3/10 revision date attached to this addendum.

Page C-8rev, Exhibit A, Contractor's Bid and Bid Price Schedule, shall be attached to the original Exhibit A, Contractor's Bid and Bid Price Schedule, in the Contract Documents booklet. Page P-3rev, Proposal Pay Items and Bid Price Schedule, shall be attached to the original Proposal Pay Items and Bid Price Schedule in the Contract Documents booklet. Page P-5rev, Subcontractor Listing Form, shall be attached to original Subcontractor Listing Form in the Contract Documents booklet. The remaining pages of this addendum shall be attached to the Contract Documents booklet.

Indicate receipt of this addendum by filling in the number of this addendum in the space provided on the signature page of the proposal.

Holders who have already mailed their proposal can contact Janel Gifford at (530) 642-4988 (email: Janel.Gifford@edcgov.us) to arrange return of their proposal.

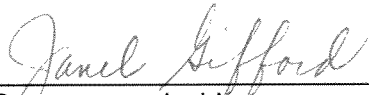
Inform all suppliers and subcontractors as necessary.

The DOT is only sending this addendum by posting on the following website: <http://www.edcgov.us/DOT/bids.html>.

If you are not a Contract Documents Holder, but request a set of documents to bid on this project, you must comply with the requirements of this addendum when submitting your bid.


- Attachments:
- | | |
|---|----------|
| Plan Sheet X-1 (sheet 3 of 23) revised 9/3/10 | - 1 page |
| Attachment A Exhibit A, Contractor's Bid and Bid Price Schedule | - 1 page |
| Attachment B Proposal Pay Items and Bid Price Schedule | - 1 page |
| Attachment C Revised Subcontractor Listing Form | - 1 page |

End of Addendum No. 1



Recommended by:
Janel Gifford, P.E.
Office Engineer

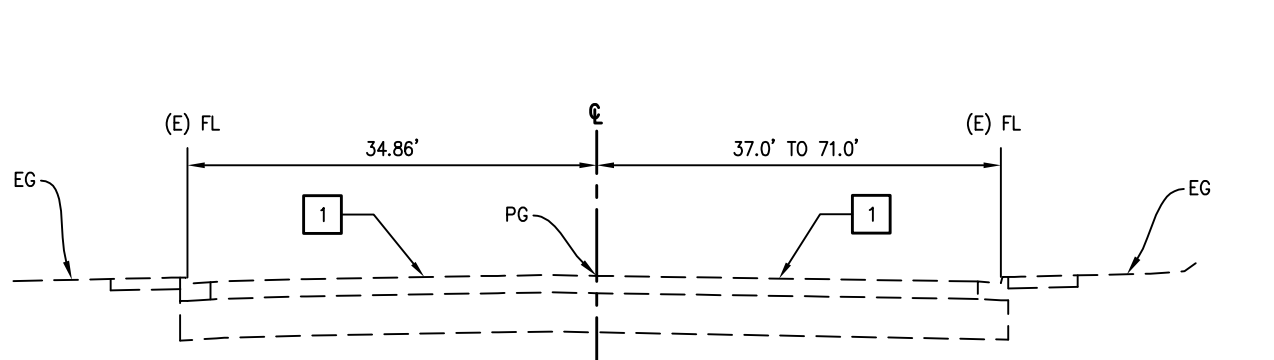
9/7/10
Date



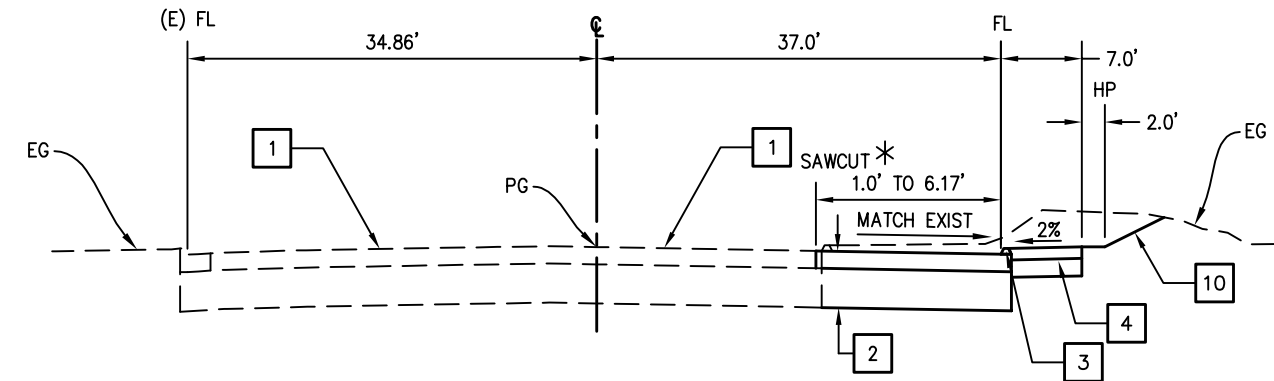
Approved by:
James W. Ware, P.E.
Director of Transportation

9/3/10
Date

Drawing name: C:\Civil 3D Projects\72372 White Rock Road to Keables\CADD Files\Sheets\Reduced Budget Plan Sheets\X-1.dwg Layout Tab: X-1 Sep 03, 2010 - 10:2
 ORIGINAL SCALE IS IN INCHES
 FOR REDUCED PLANS

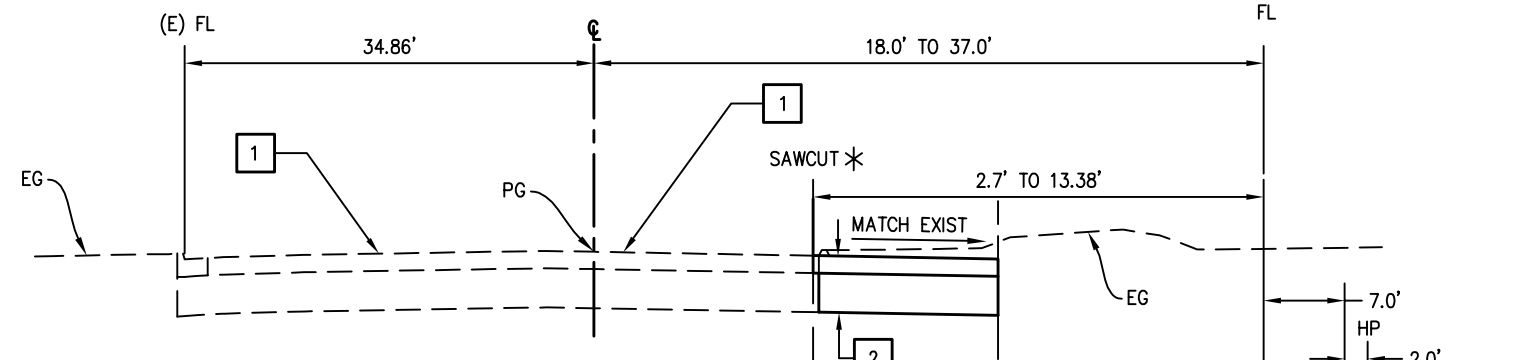


'WR' - 34+85.00 TO 39+21.02



'WR' - 39+21.02 TO 40+92.91

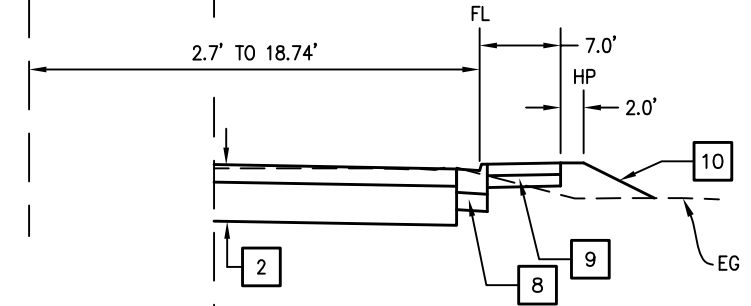
* SEE DETAIL 2 ON SHEET C-1 & SHEET L-2 FOR SAWCUT LOCATIONS



'WR' - 40+92.91 TO 42+05.50

* SEE DETAIL 2 ON SHEET C-1 & SHEET L-2 FOR SAWCUT LOCATIONS

'WR' - 40+92.91 TO 41+33.19
'MV' - 11+44.38 TO 11+84.40



'WR' - 41+65.34 TO 42+05.50
'MV' - 11+44.41 TO 11+84.43

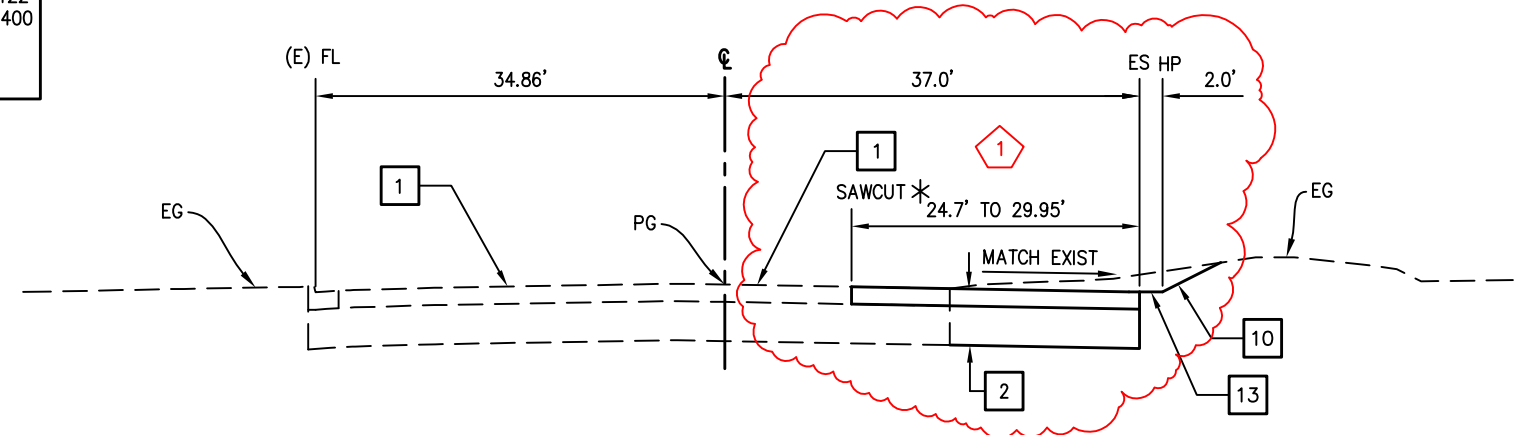
GENERAL NOTES:

- EXACT LOCATION OF SAWCUT, TYPES OF DIKE, CURB AND GUTTER, AND SIDEWALKS ARE SHOWN ON LAYOUT SHEETS.

CONSTRUCTION NOTES:

- 1 — TYPE II SLURRY SEAL.
- 2 — 0.5' HMA (TYPE A)
1.13' AB (CLASS II)
TYPE II SLURRY SEAL
- 3 — TYPE A HMA DIKE ON 0.5' HMA & 1.13' AB. SEE CALTRANS STANDARD A87B.
- 4 — 0.33' HMA ON 0.5' AB (CLASS II) SIDEWALK. SEE DETAIL 3, SHEET C-1.
- 6 — FOR INTERSECTION DETAIL, SEE SHEET C-1
- 8 — TYPE A2-6 CURB AND GUTTER WITH 0.5' AB (CLASS II), SEE CALTRANS STANDARD A88A.
- 9 — 0.33' CONCRETE ON 0.33' AB (CLASS II) SIDEWALK.
- 10 — CUT SLOPE 2:1, FILL SLOPE 3:1
- 13 — 2" AB SHOULDER BACKING

DESIGN DESIGNATION	
2008 ADT	10,122
2030 ADT	53,400
R	13
TI	9



'WR' - 42+05.50 TO 43+76.66

* SEE DETAIL 2 ON SHEET C-1 & SHEET L-2 FOR SAWCUT LOCATIONS

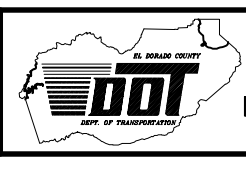
TYPICAL SECTIONS
SCALE : N/A

REVISION	NUMBER	DATE	DESCRIPTION	BY
	1	9/3/10	REVISED DIMENSION ON TYPICAL SECTION.	



PREPARED UNDER THE SUPERVISION OF:
Paul J. Horn
 REGISTERED CIVIL ENGINEER
 DATE: 8-6-2010

DESIGNED: PH
 DRAWN: AN
 CHECKED: DOT
 DATE: 7/21/2010
 ROAD NUMBER: 34



EL DORADO COUNTY
DEPARTMENT OF TRANSPORTATION

**WHITE ROCK ROAD WIDENING
 AND SIGNALIZATION**

SHEET
X-1
 3 OF 23
 W.O. No. **72372**

EXHIBIT A

**CONTRACTOR'S BID PRICE SCHEDULE
CONTRACT NO. PW 09-30491, CIP 72372
WHITE ROCK ROAD WIDENING AND SIGNALIZATION**

Item No.	Item Code	Item Description	Unit of Measure	Estimated Quantity	Unit Price (In Figures)	Item Total (In Figures)
1	071325	Temporary Fence (ESA Type)	LF	117		
2	072010	Trench and Excavation Safety	LS	1		
3	120090	Construction Area Signs	LS	1		
4	120100	Traffic Control System	LS	1		
5	120116	Type I Pedestrian Barricade	EA	2		
6	120159	Temporary Traffic Stripe (Paint)	LF	393		
7	120300	Temporary Pavement Marker	EA	23		
8	128650	Portable Changeable Message Sign	SWD	350		
9	129100	Temporary Crash Cushion Module	EA	11		
10	150714	Remove Traffic Stripe	LF	10512		
11	150715	Remove Pavement Marking	SF	1606		
12	150722	Remove Pavement Marker	EA	205		
13	151274A	Relocate Concrete Barrier (Type K)	LS	1		
14	151281	Remove & Salvage Roadside Sign	EA	6		
15	152390	Relocate Roadside Sign	EA	9		
16	153210	Remove Concrete Sidewalk	SF	546		
17	153214	Remove Concrete Curb	LF	251		
18	160101	Clearing & Grubbing	LS	1		
19	(F) 190101	Roadway Excavation	CY	541		
20	190119	Prepare Fugitive Dust Control Plan	LS	1		
21	190185	Shoulder Backing	CY	4		
22	203016	Erosion Control (Type D)	SY	515		
23	260201	Class 2 Aggregate Base	CY	341		
24	377501	Type II Slurry Seal	SY	13713		
25	390132A	HMA (Type A)	TON	333		
26	566011	Roadside Sign - One Post	EA	7		
27	(F) 641107	18" Storm Drain	LF	4		
28	(F) 707050A	Drainage Inlet (Type GO)	EA	1		
29	(F) 731502	Minor Concrete (Sidewalk)	CY	8		
30	(F) 731501	Minor Concrete (Curb)	CY	9		
31	731623	Curb Ramp	EA	3		
32	820130	Object Marker (Type K-1)	EA	2		
33	840501	Thermoplastic Traffic Stripe	LF	8333		
34	840515	Thermoplastic Pavement Markings	SF	2564		
35	850111	Pavement Marker (Retroreflective, Type D)	EA	104		
36	850112	Pavement Marker (Retroreflective, Type G)	EA	106		
37	850113	Pavement Marker (Retroreflective, Type H)	EA	12		
38	860201	Traffic Signal and Lighting	LS	1		
39	999990	Mobilization	LS	1		
		Total Bid				

(F) Denotes Final Pay Item

(SWD) Sign Working Day

(LS) Denotes Lump Sum

**PROPOSAL PAY ITEMS AND BID PRICE SCHEDULE
CONTRACT NO. PW 09-30493, CIP NO. 72372**

WHITE ROCK ROAD WIDENING AND SIGNALIZATION

Item No.	Item Code	Item Description	Unit of Measure	Estimated Quantity	Unit Price (In Figures)	Item Total (In Figures)
1	071325	Temporary Fence (ESA Type)	LF	117		
2	072010	Trench and Excavation Safety	LS	1		
3	120090	Construction Area Signs	LS	1		
4	120100	Traffic Control System	LS	1		
5	120116	Type I Pedestrian Barricade	EA	2		
6	120159	Temporary Traffic Stripe (Paint)	LF	393		
7	120300	Temporary Pavement Marker	EA	23		
8	128650	Portable Changeable Message Sign	SWD	350		
9	129100	Temporary Crash Cushion Module	EA	11		
10	150714	Remove Traffic Stripe	LF	10512		
11	150715	Remove Pavement Marking	SF	1606		
12	150722	Remove Pavement Marker	EA	205		
13	151274A	Relocate Concrete Barrier (Type K)	LS	1		
14	151281	Remove & Salvage Roadside Sign	EA	6		
15	152390	Relocate Roadside Sign	EA	9		
16	153210	Remove Concrete Sidewalk	SF	546		
17	153214	Remove Concrete Curb	LF	251		
18	160101	Clearing & Grubbing	LS	1		
19	(F) 190101	Roadway Excavation	CY	541		
20	190119	Prepare Fugitive Dust Control Plan	LS	1		
21	190185	Shoulder Backing	CY	4		
22	203016	Erosion Control (Type D)	SY	515		
23	260201	Class 2 Aggregate Base	CY	341		
24	377501	Type II Slurry Seal	SY	13713		
25	390132A	HMA (Type A)	TON	333		
26	566011	Roadside Sign - One Post	EA	7		
27	(F) 641107	18" Storm Drain	LF	4		
28	(F) 707050A	Drainage Inlet (Type GO)	EA	1		
29	(F) 731502	Minor Concrete (Sidewalk)	CY	8		
30	(F) 731501	Minor Concrete (Curb)	CY	9		
31	731623	Curb Ramp	EA	3		
32	820130	Object Marker (Type K-1)	EA	2		
33	840501	Thermoplastic Traffic Stripe	LF	8333		
34	840515	Thermoplastic Pavement Markings	SF	2564		
35	850111	Pavement Marker (Retroreflective, Type D)	EA	104		
36	850112	Pavement Marker (Retroreflective, Type G)	EA	106		
37	850113	Pavement Marker (Retroreflective, Type H)	EA	12		
38	860201	Traffic Signal and Lighting	LS	1		
39	999990	Mobilization	LS	1		
		Total Bid				

(F) Denotes Final Pay Item

(SWD) Sign Working Day

(LS) Denotes Lump Sum

SUBCONTRACTORS LISTING

The Bidder shall list the name, address, and license number, of each subcontractor to whom the Bidder proposes to subcontract portions of the work, as required by the provisions in “Required Listing of Proposed Subcontractors” of the Special Provisions. The Bidder shall also list the work portion to be performed by each subcontractor by listing the bid item number, bid item description, and portion of the work to be performed by the subcontractor in the form of a percentage calculated by dividing the work to be performed by the subcontractor by the respective bid item amount(s) (not by the total bid price).

Name	Location of Business	License No.	Bid Item Number	Bid Item Description	Percentage of Each Bid Item Subcontracted