

INDEX OF PLANS

SHEET No.	DESCRIPTION
1	TITLE SHEET
2	TYPICAL CROSS SECTIONS
3-4	LAYOUT
5	PROFILE
6-8	CONSTRUCTION DETAILS
9-10	EROSION CONTROL PLAN
11	EROSION CONTROL LEGEND
12-15	DRAINAGE PLAN AND DETAILS
16	CONSTRUCTION AREA SIGNS
17-18	STAGE CONSTRUCTION AND TRAFFIC HANDLING PLAN
19	STAGE CONSTRUCTION
20	DETOUR PLAN
21-22	PAVEMENT DELINEATION AND SIGN PLAN
23	PAVEMENT DELINEATION DETAILS
24-27	SUMMARY OF QUANTITIES
28-29	RETAINING WALL PLAN

STATE OF CALIFORNIA
DEPARTMENT OF TRANSPORTATION

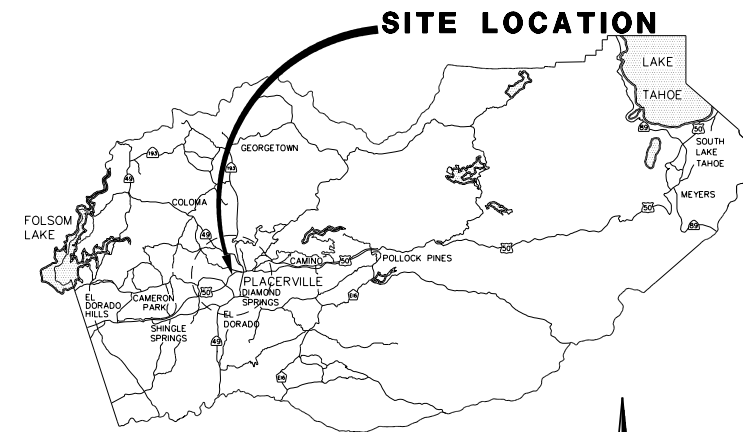
PROJECT PLANS FOR CONSTRUCTION OF
U.S. 50 / MISSOURI FLAT
ROAD-PHASE 1B.2
BIKE PATH

IN EL DORADO COUNTY
NEAR PLACERVILLE
ON US 50 FROM 0.5 MILE EAST
TO 0.75 MILE EAST OF THE US 50
MISSOURI FLAT ROAD OVERCROSSING

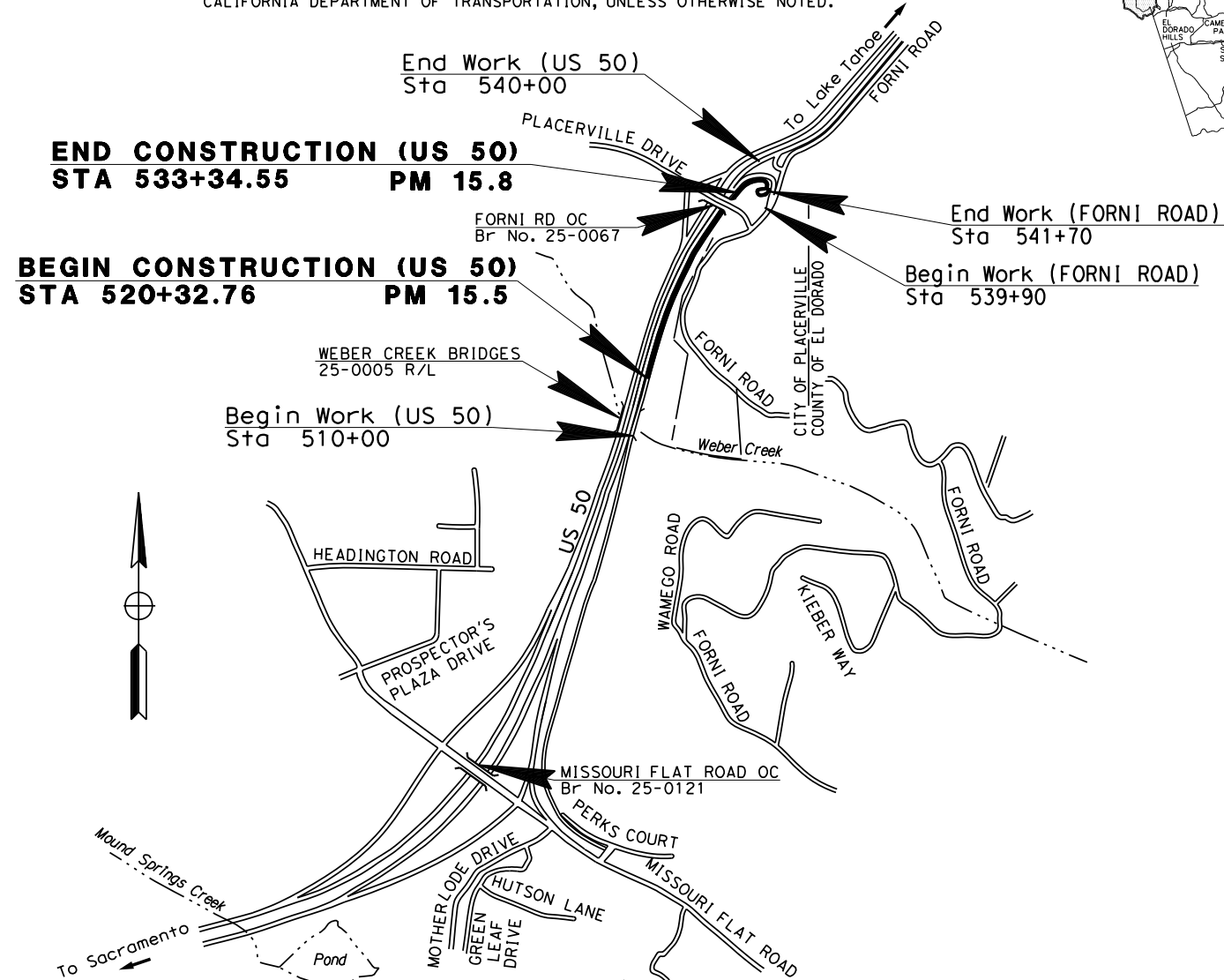
TO BE SUPPLEMENTED WITH STANDARD PLANS AND SPECIFICATIONS DATED 2010,
INCLUDING THE AMENDMENTS TO THE 2010 STANDARD SPECIFICATIONS, OF THE
CALIFORNIA DEPARTMENT OF TRANSPORTATION, UNLESS OTHERWISE NOTED.

Dist	COUNTY	ROUTE	POST MILES TOTAL PROJECT	SHEET No.	TOTAL SHEETS
03	ED	50	15.5/15.8	1	29

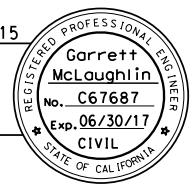
EL DORADO COUNTY
2850 FAIRLANE COURT
PLACERVILLE, CA 95667
QUINCY ENGINEERING, INC
11017 COBBLEROCK DRIVE SUITE 100
RANCHO CORDOVA, CA 95670



VICINITY MAP
COUNTY OF EL DORADO



Garrett M. McLaughlin 5/29/15
PROJECT MANAGER REGISTERED CIVIL ENGINEER DATE
May 29, 2015
PLANS APPROVAL DATE
THE STATE OF CALIFORNIA OR ITS OFFICERS OR AGENTS SHALL NOT BE RESPONSIBLE FOR THE ACCURACY OR COMPLETENESS OF SCANNED COPIES OF THIS PLAN SHEET.



CONTRACTOR'S LICENSE CLASSIFICATION: BIDDERS SHALL BE PROPERLY LICENSED TO PERFORM THE WORK PURSUANT TO THE STATE CONTRACTOR'S LICENSE ACT (BUSINESS AND PROFESSIONS CODE SECTION 7000 ET SEQ.) AND SHALL POSSESS A CLASS A LICENSE OR EQUIVALENT COMBINATION OF CLASSES REQUIRED BY THE CATEGORIES AND TYPE OF WORK INCLUDED IN THE CONTRACT DOCUMENTS AND PLANS. IF THE CONTRACTOR POSSESSES A CLASS A LICENSE INSTEAD OF THE EQUIVALENT COMBINATION OF CLASSES REQUIRED BY THE CATEGORIES AND TYPE OF WORK INCLUDED IN THE CONTRACT DOCUMENTS AND PLANS, THEN THE CONTRACTOR OR A SUBCONTRACTOR MUST ALSO POSSESS A CLASS C27 "LANDSCAPING CONTRACTOR" LICENSE. FAILURE OF THE SUCCESSFUL BIDDER TO OBTAIN PROPER AND ADEQUATE LICENSING FOR AN AWARD OF THE CONTRACT SHALL CONSTITUTE A FAILURE TO EXECUTE THE CONTRACT, AND FORFEITURE AS PROVIDED UNDER THAT SECTION.

APPROVED AND ADOPTED BY:	DATE
RON MIKULACO CHAIRMAN, EL DORADO COUNTY BOARD OF SUPERVISORS APPROVED BY:	
STEVEN W. PEDRETTI DIRECTOR, EL DORADO COUNTY DEPARTMENT OF TRANSPORTATION APPROVED BY:	
JOHN KAHLING P.E. NO. 52426 DEPUTY DIRECTOR OF ENGINEERING, EL DORADO COUNTY DEPT. OF TRANSPORTATION	

COUNTY OF EL DORADO
COMMUNITY DEVELOPMENT AGENCY
TRANSPORTATION DIVISION
2850 FAIRLANE COURT
PLACERVILLE, CA 95667
(530) 621-5900



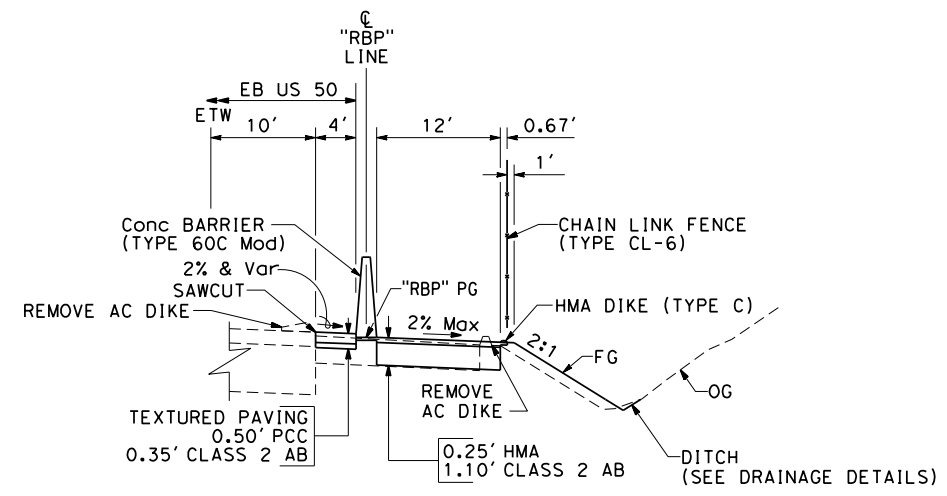
REVISIONS		
MARK	DATE	BY

BOARD OF SUPERVISORS	
RON MIKULACO	I
SHIVA FRENTZEN	II
BRIAN VEERKAMP	III
MICHAEL RANALLI	IV
SUE NOVASEL	V

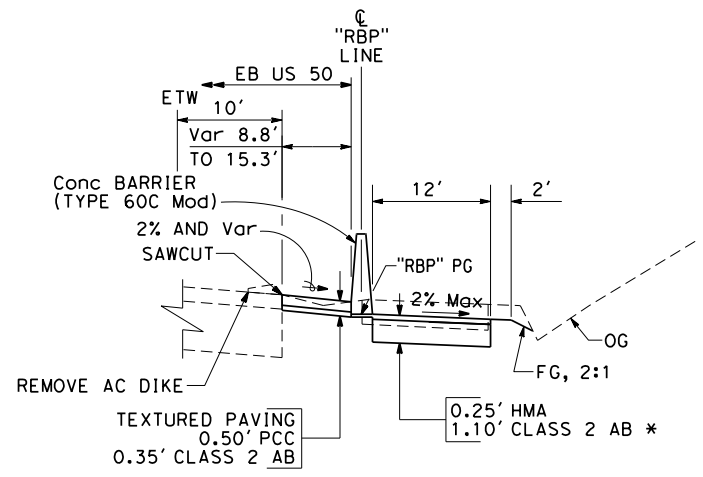
PROJECT ID **0314-NMC0974**
**U.S. 50 / MISSOURI FLAT
ROAD-PHASE 1B.2
BIKE PATH
TITLE SHEET**

XX	XX	XX	XX	XX	XX	XX	XX
REVISOR	DATE	REVISION	BY	DATE	REVISION	BY	DATE
BENJAMIN GRIMM			GARRETT MCLAUGHLIN				
JOHN QUINCY							
STATE OF CALIFORNIA - DEPARTMENT OF TRANSPORTATION							

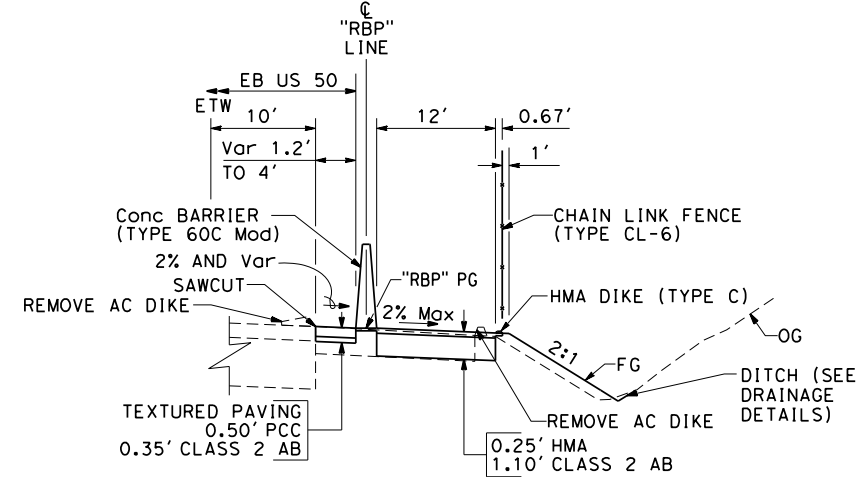
Dist	COUNTY	ROUTE	POST MILES TOTAL PROJECT	SHEET No.	TOTAL SHEETS
03	ED	50	15.5/15.8	2	29
Garrett M. McLaughlin 05/29/15 REGISTERED CIVIL ENGINEER DATE					
May 29, 2015 PLANS APPROVAL DATE					
THE STATE OF CALIFORNIA OR ITS OFFICERS OR AGENTS SHALL NOT BE RESPONSIBLE FOR THE ACCURACY OR COMPLETENESS OF SCANNED COPIES OF THIS PLAN SHEET.					
QUINCY ENGINEERING, INC 1017 COBBLEROCK DRIVE SUITE 100 RANCHO CORDOVA, CA 95670			EL DORADO COUNTY 2850 FAIRLANE COURT PLACERVILLE, CA 95667		



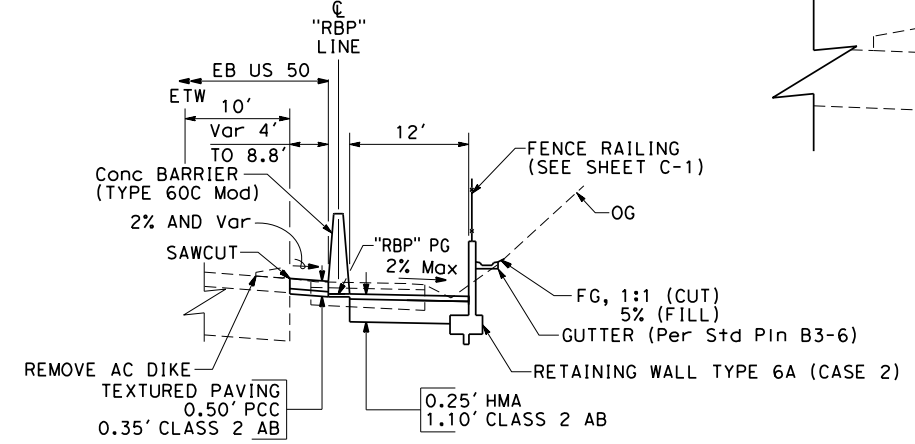
BIKE PATH
STA "RBP" 523+55.02 TO 525+80.15



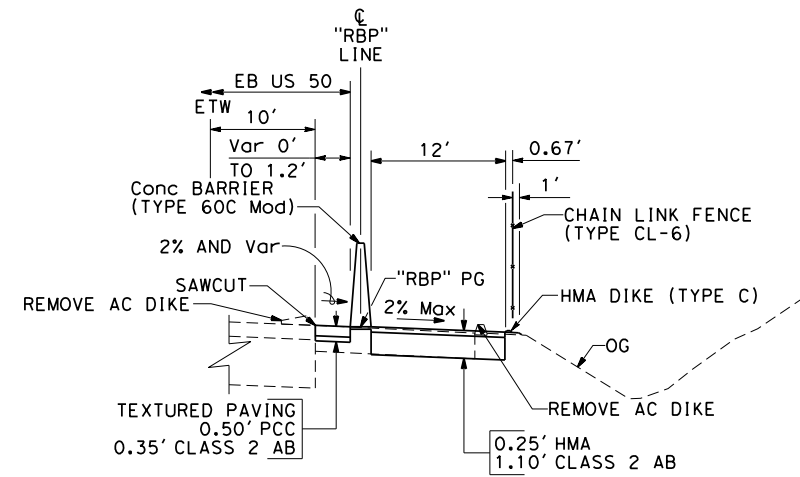
BIKE PATH
STA "RBP" 531+12.19 TO 532+83.58



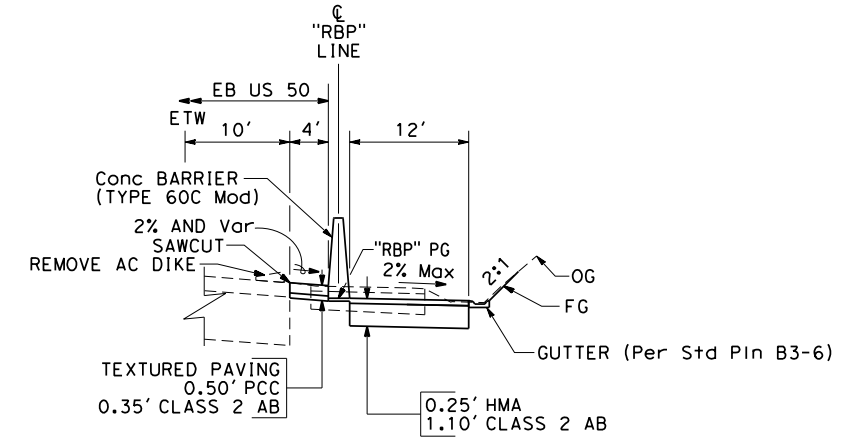
BIKE PATH
STA "RBP" 522+10.82 TO 523+55.02



BIKE PATH
STA "RBP" 527+45.00 TO 531+12.19

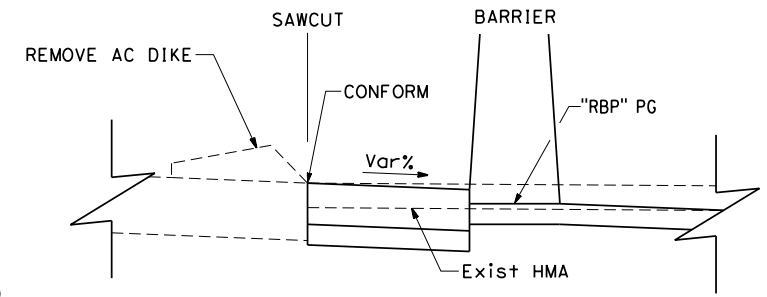


BIKE PATH
STA "RBP" 520+32.76 TO 522+10.82

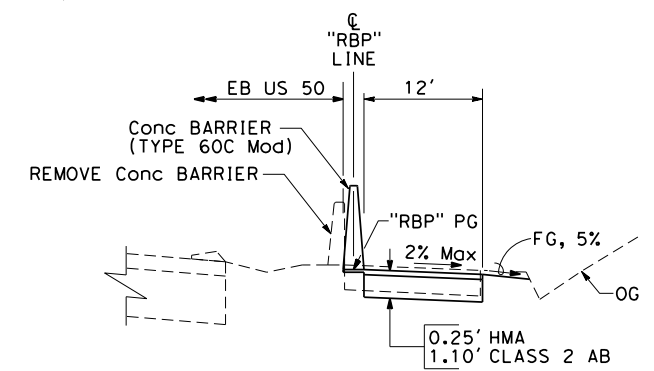


BIKE PATH
STA "RBP" 525+80.15 TO 527+45.00

- NOTES:**
1. DIMENSIONS OF THE PAVEMENT STRUCTURES (STRUCTURAL SECTIONS) ARE SUBJECT TO TOLERANCES SPECIFIED IN THE STANDARD SPECIFICATIONS.
 2. FOR LOCATION OF SAWCUT SEE SAWCUT DETAIL.
 3. * REDUCED CLASS 2 AB SECTION FROM STA "RBP" 531+12.19 TO 531+54.64 (SEE CONSTRUCTION DETAILS C-2).



SAWCUT DETAIL



BIKE PATH
STA "RBP" 532+83.58 TO 533+34.55

TYPICAL CROSS SECTIONS
NO SCALE
X-1

BORDER LAST REVISED 7/2/2010

USERNAME => garrettm
DGN FILE => S:\client\el Dorado\01-501-01-MOFLAT PS&E Phase 1B\Phase 1B.2_Bike Path\01-501-01-MOFLAT PS&E Phase 1B.2_Bike Path.dgn

RELATIVE BORDER SCALE
0 1 2 3

DATE PLOTTED => 3/14/2016
TIME PLOTTED => 9:59:34 AM

STATE OF CALIFORNIA - DEPARTMENT OF TRANSPORTATION
Caltrans
 CONSULTANT SUPERVISOR: JOHN QUINCY
 CHECKED BY: BENJAMIN GRIMM
 DESIGNED BY: GARRETT MCLAUGHLIN
 REVISIONS:
 XX/XX/XX
 XX/XX/XX
 XX/XX/XX

NOTES:
 1. FOR COMPLETE RIGHT OF WAY AND ACCURATE ACCESS DATA, SEE RIGHT OF WAY RECORD MAPS AT THE CALTRANS DISTRICT OR COUNTY OFFICE.
 2. SEE DRAINAGE PLANS FOR HMA OVERSIDE DRAIN DETAILS.

SURVEY CONTROL DATA

HORIZONTAL DATUM: ZONE 2 NAD 83 VERTICAL DATUM: NGVD 29

No.	NORTHING	EASTING	ELEV	DESCRIPTION	STATION	OFFSET
14	2026595.968	6894217.377	1721.0135	SPIKE	"RBP" 529+51.61	162.21' Lt
15	2026412.772	6894327.134	1732.8306	SPIKE	"RBP" 529+13.99	47.60' Rt
16	2026514.530	6894559.927	1768.6736	SPIKE	"RBP" 531+86.52	94.72' Rt
18	2026541.042	6894113.853	1720.9546	MAG	"RBP" 528+55.73	193.53' Lt
82	2025832.303	6893962.154	1664.6916	SPIKE	"RBP" 522+01.65	15.76' Rt

CURVE DATA

No.	R	Δ	T	L	CHORD Brg	CHORD L
1	889.71'	2° 11' 42"	17.04'	34.08'	N 17° 33' 51" E	34.08'
2	1134.60'	27° 36' 49"	278.83'	546.82'	N 32° 28' 06" E	541.54'
3	1179.59'	49° 44' 27"	546.81'	1024.05'	N 41° 20' 13" E	992.19'

Dist	COUNTY	ROUTE	POST MILES TOTAL PROJECT	SHEET No.	TOTAL SHEETS
03	ED	50	15.5/15.8	3	29

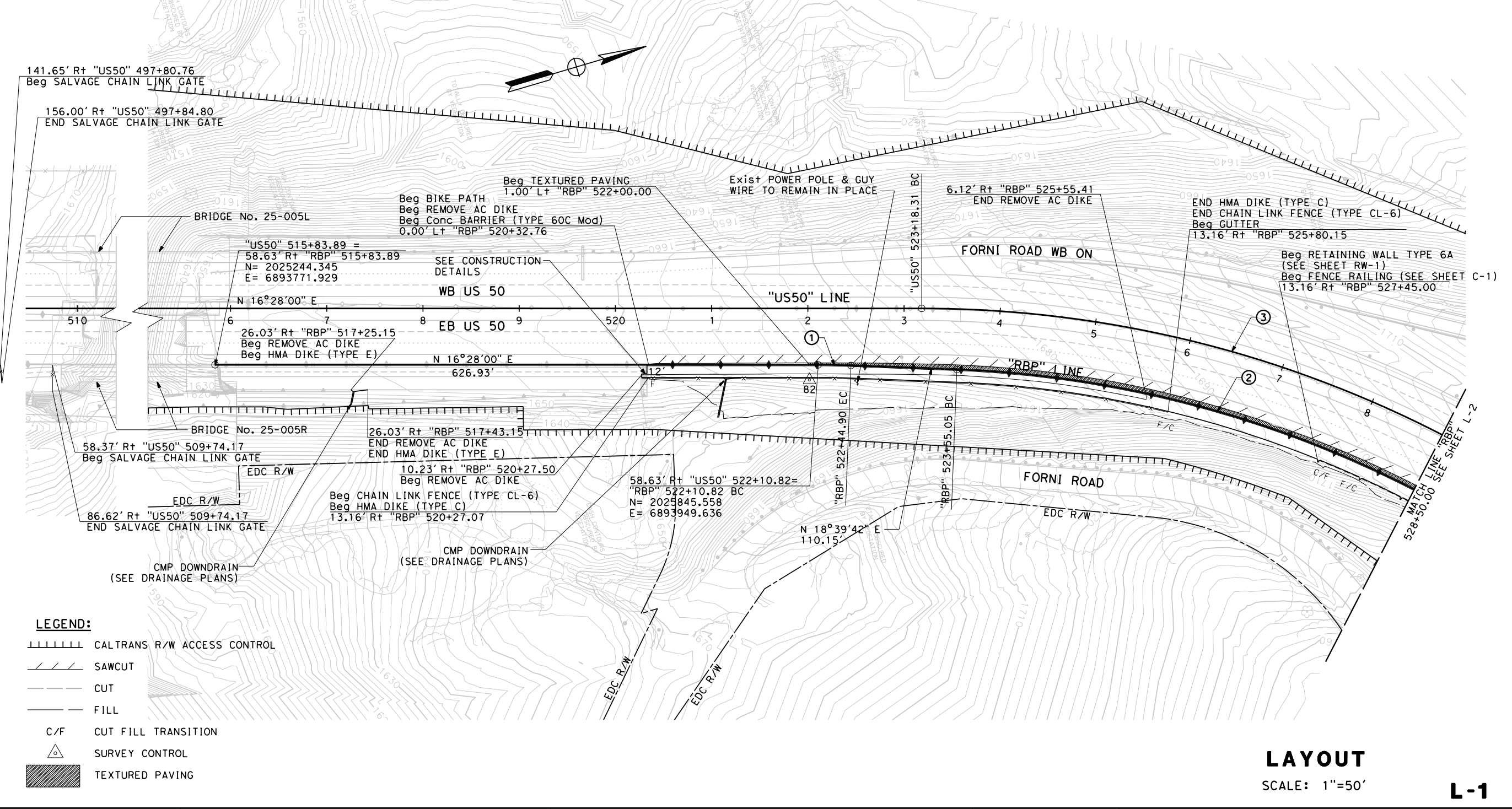
Garrett M. McLaughlin 05/29/15
 REGISTERED CIVIL ENGINEER DATE

May 29, 2015
 PLANS APPROVAL DATE

Garrett McLaughlin
 No. C67687
 Exp. 06/30/17
 CIVIL
 STATE OF CALIFORNIA

QUINCY ENGINEERING, INC
 1017 COBBLEROCK DRIVE SUITE 100
 RANCHO CORDOVA, CA 95670

EL DORADO COUNTY
 2850 FAIRLANE COURT
 PLACERVILLE, CA 95667



STATE OF CALIFORNIA - DEPARTMENT OF TRANSPORTATION
Caltrans

CONSULTANT SUPERVISOR: JOHN QUINCY
 DESIGNED BY: BENJAMIN GRIMM
 CHECKED BY: GARRETT McLAUGHLIN
 REVISIONS: XX/XX/XX, XX/XX/XX, XX/XX/XX, XX/XX/XX

NOTES:
 1. FOR COMPLETE RIGHT OF WAY AND ACCURATE ACCESS DATA, SEE RIGHT OF WAY RECORD MAPS AT THE CALTRANS DISTRICT OR COUNTY OFFICE.

CURVE DATA						
No. ○	R	Δ	T	L	CHORD Brg	CHORD L
3	1179.59'	49° 44' 27"	546.81'	1024.05'	N 41° 20' 13" E	992.19'
4	890.00'	24° 10' 12"	190.56'	375.44'	N 58° 21' 37" E	372.67'
5	144.67'	78° 05' 45"	117.35'	197.19'	S 70° 38' 26" E	182.28'
6	56.11'	104° 29' 38"	72.46'	102.33'	S 20° 39' 15" W	88.73'
7	54.13'	32° 24' 30"	15.73'	30.62'	N 87° 07' 38" W	30.21'
8	35.10'	226° 00' 37"	82.68'	138.48'	S 03° 55' 42" E	64.63'
9	377.72'	13° 09' 34"	43.57'	86.75'	N 56° 29' 13" E	86.56'
10	35.10'	57° 49' 23"	19.39'	35.42'	N 78° 49' 08" E	33.94'

Dist	COUNTY	ROUTE	POST MILES TOTAL PROJECT	SHEET No.	TOTAL SHEETS
03	ED	50	15.5/15.8	4	29

Garrett McLaughlin 05/29/15
 REGISTERED CIVIL ENGINEER DATE

May 29, 2015
 PLANS APPROVAL DATE

THE STATE OF CALIFORNIA OR ITS OFFICERS OR AGENTS SHALL NOT BE RESPONSIBLE FOR THE ACCURACY OR COMPLETENESS OF SCANNED COPIES OF THIS PLAN SHEET.

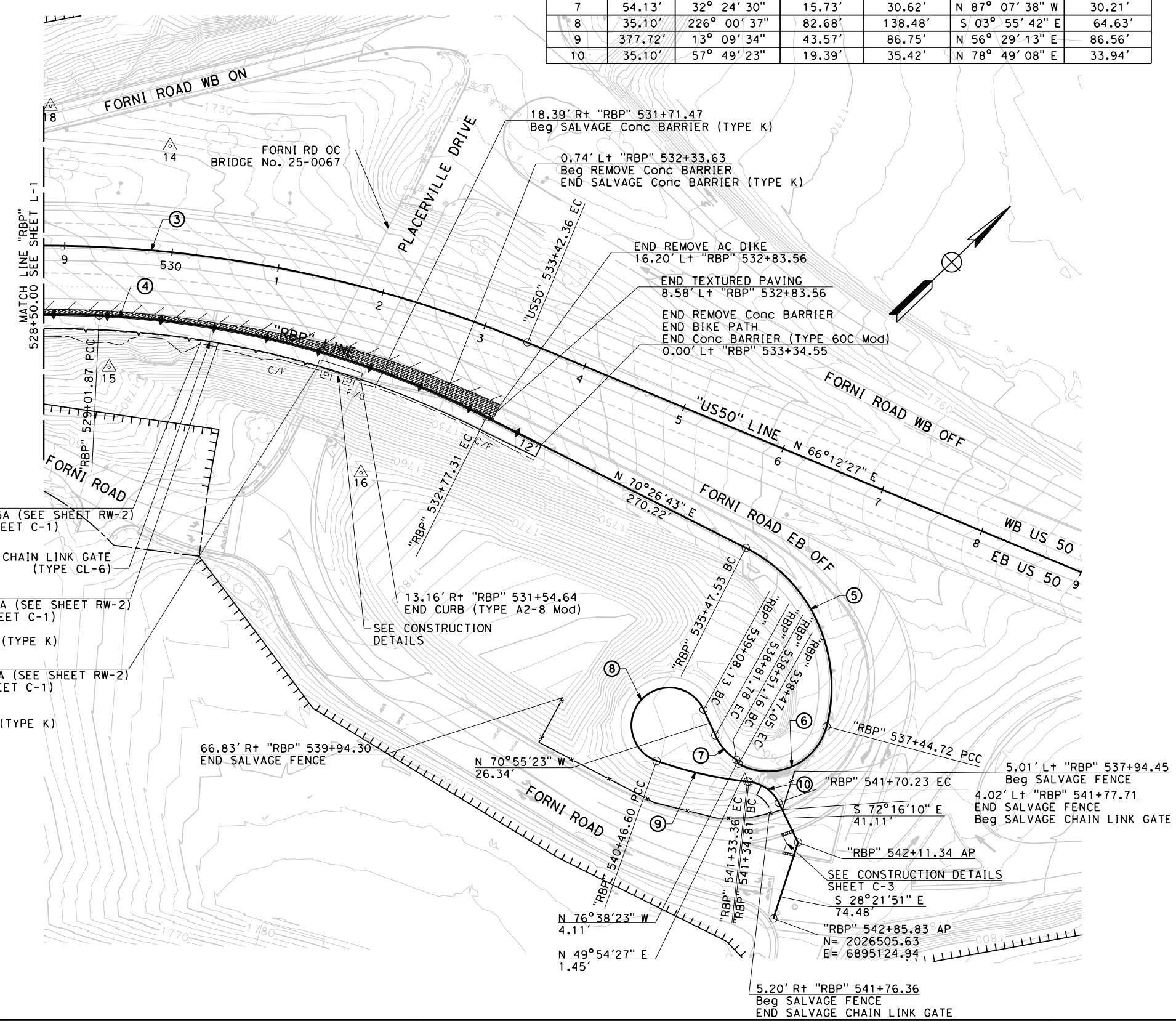
QUINCY ENGINEERING, INC
 1017 COBBLEROCK DRIVE SUITE 100
 RANCHO CORDOVA, CA 95670

EL DORADO COUNTY
 2850 FAIRLANE COURT
 PLACERVILLE, CA 95667

13.16' Rt "RBP" 530+00.00
 END RETAINING WALL TYPE 6A (SEE SHEET RW-2)
 END FENCE RAILING (SEE SHEET C-1)
 END GUTTER
 16' CHAIN LINK GATE (TYPE CL-6)

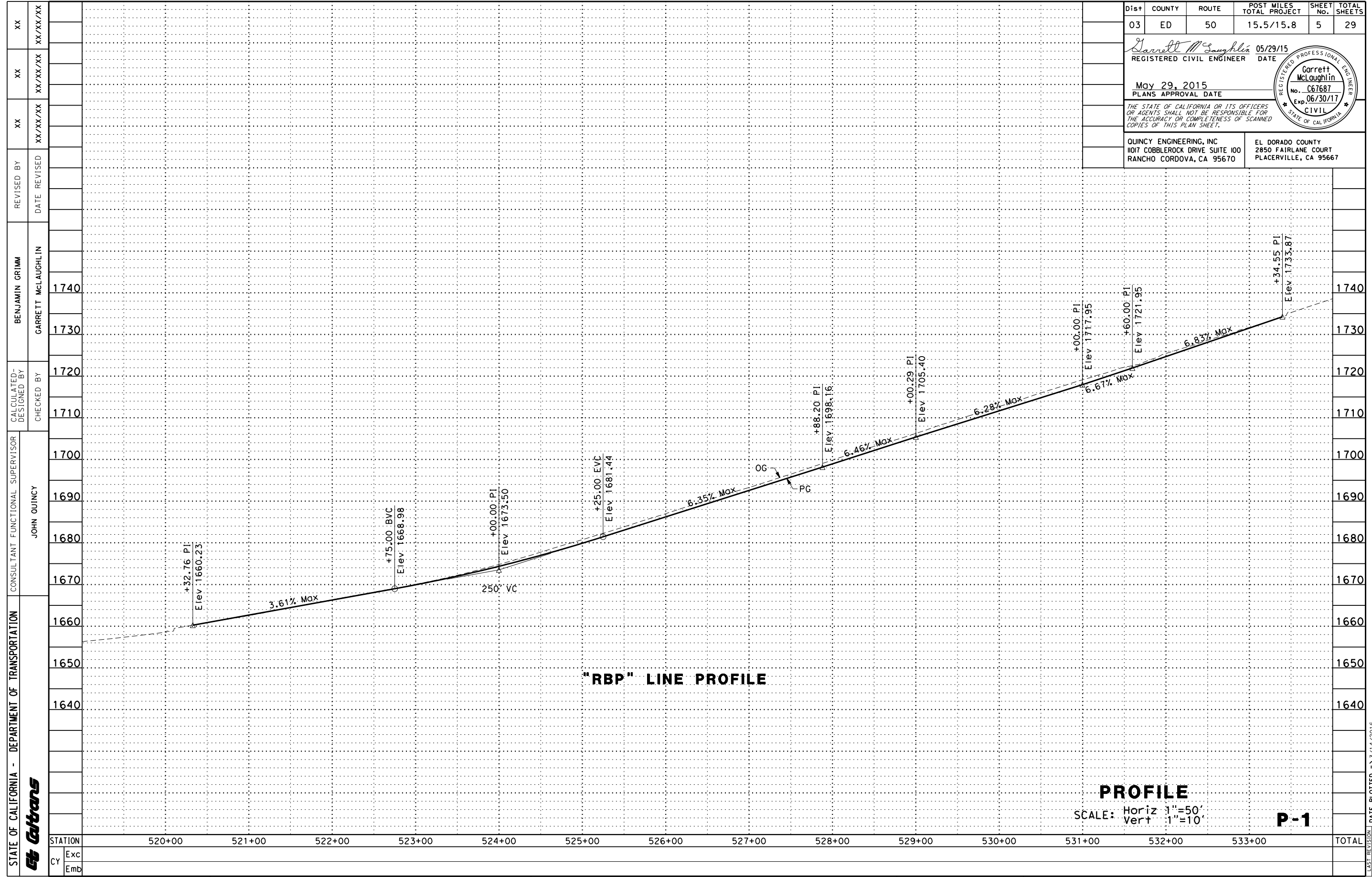
13.16' Rt "RBP" 530+16.24
 Beg RETAINING WALL TYPE 6A (SEE SHEET RW-2)
 Beg FENCE RAILING (SEE SHEET C-1)
 Beg GUTTER
 Beg SALVAGE Conc BARRIER (TYPE K)

13.16' Rt "RBP" 531+12.19
 END RETAINING WALL TYPE 6A (SEE SHEET RW-2)
 END FENCE RAILING (SEE SHEET C-1)
 END GUTTER
 Beg CURB (TYPE A2-8 Mod)
 END SALVAGE Conc BARRIER (TYPE K)



LAYOUT
 SCALE: 1"=50'
L-2

LAST REVISION DATE PLOTTED => 3/18/2016 00-00-00 TIME PLOTTED => 9:21:20 AM



Dist	COUNTY	ROUTE	POST MILES TOTAL PROJECT	SHEET No.	TOTAL SHEETS
03	ED	50	15.5/15.8	5	29
Garrett M. McLaughlin			05/29/15		
REGISTERED CIVIL ENGINEER			DATE		
May 29, 2015					
PLANS APPROVAL DATE					
THE STATE OF CALIFORNIA OR ITS OFFICERS OR AGENTS SHALL NOT BE RESPONSIBLE FOR THE ACCURACY OR COMPLETENESS OF SCANNED COPIES OF THIS PLAN SHEET.					
QUINCY ENGINEERING, INC 1017 COBBLEROCK DRIVE SUITE 100 RANCHO CORDOVA, CA 95670			EL DORADO COUNTY 2850 FAIRLANE COURT PLACERVILLE, CA 95667		

STATION	Exc	Emb	REVISIONS	DATE	BY	REASON
520+00						
521+00						
522+00						
523+00						
524+00						
525+00						
526+00						
527+00						
528+00						
529+00						
530+00						
531+00						
532+00						
533+00						
TOTAL						

STATE OF CALIFORNIA - DEPARTMENT OF TRANSPORTATION
Caltrans
 CONSULTANT FUNCTIONAL SUPERVISOR: JOHN QUINCY
 CHECKED BY: BENJAMIN GRIMM
 REVISIONS: GARRETT MCLAUGHLIN
 DATE REVISION: XX/XX/XX
 USERNAME => garrettm
 DGN FILE => S:\client\El Dorado\01-501-01-MOFLAT PS&E Phase 1B\Phase 1B.2.Bike Path\Revisions\16-0485 C 5.dgn
 RELATIVE BORDER SCALE: 0 1 2 3
 DATE PLOTTED => 3/14/2016
 TIME PLOTTED => 9:59:40 AM

PROFILE
 SCALE: Horiz 1"=50'
 Vert 1"=10'
P-1

Dist	COUNTY	ROUTE	POST MILES TOTAL PROJECT	SHEET No.	TOTAL SHEETS
03	ED	50	15.5/15.8	6	29

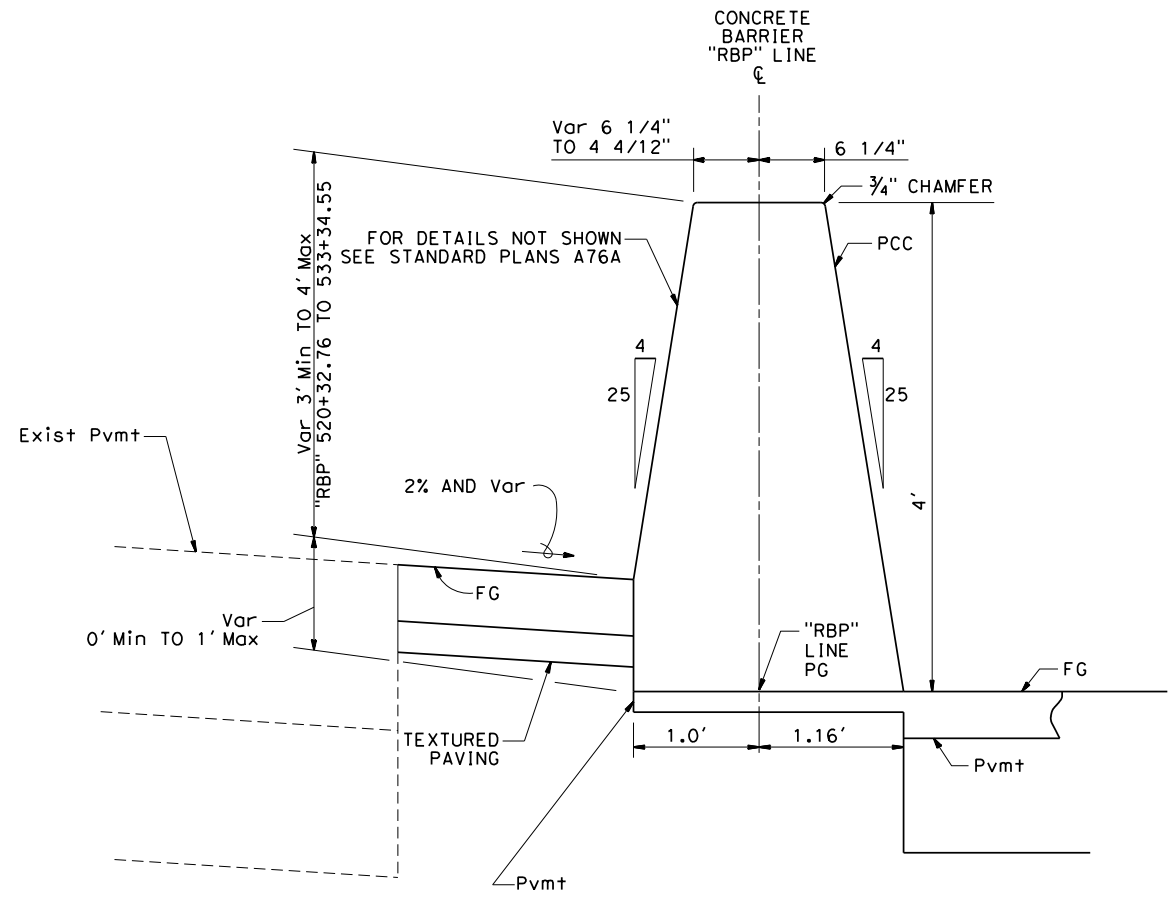
Garrett M. McLaughlin 05/29/15
REGISTERED CIVIL ENGINEER DATE

May 29, 2015
PLANS APPROVAL DATE

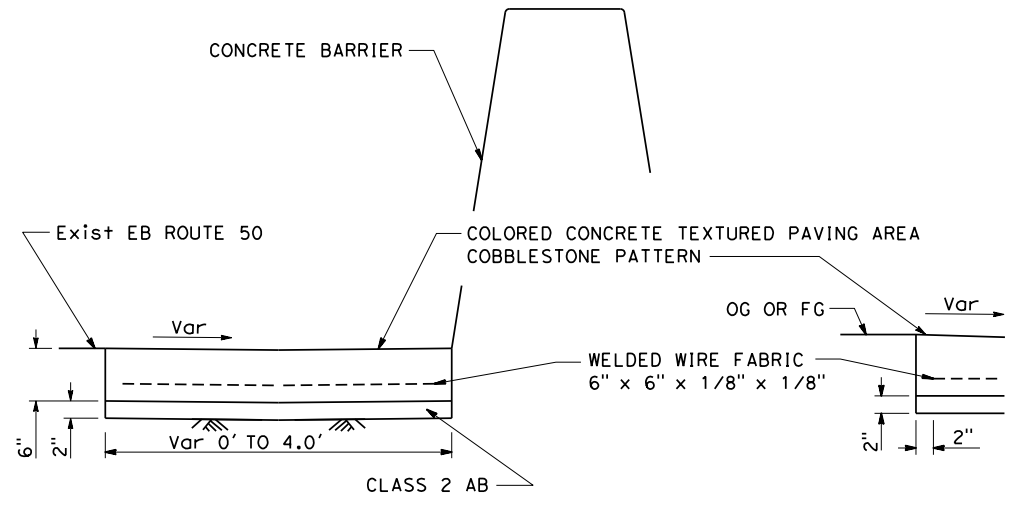
Garrett McLaughlin
No. C67687
Exp. 06/30/17
CIVIL
STATE OF CALIFORNIA

QUINCY ENGINEERING, INC
1017 COBBLEROCK DRIVE SUITE 100
RANCHO CORDOVA, CA 95670

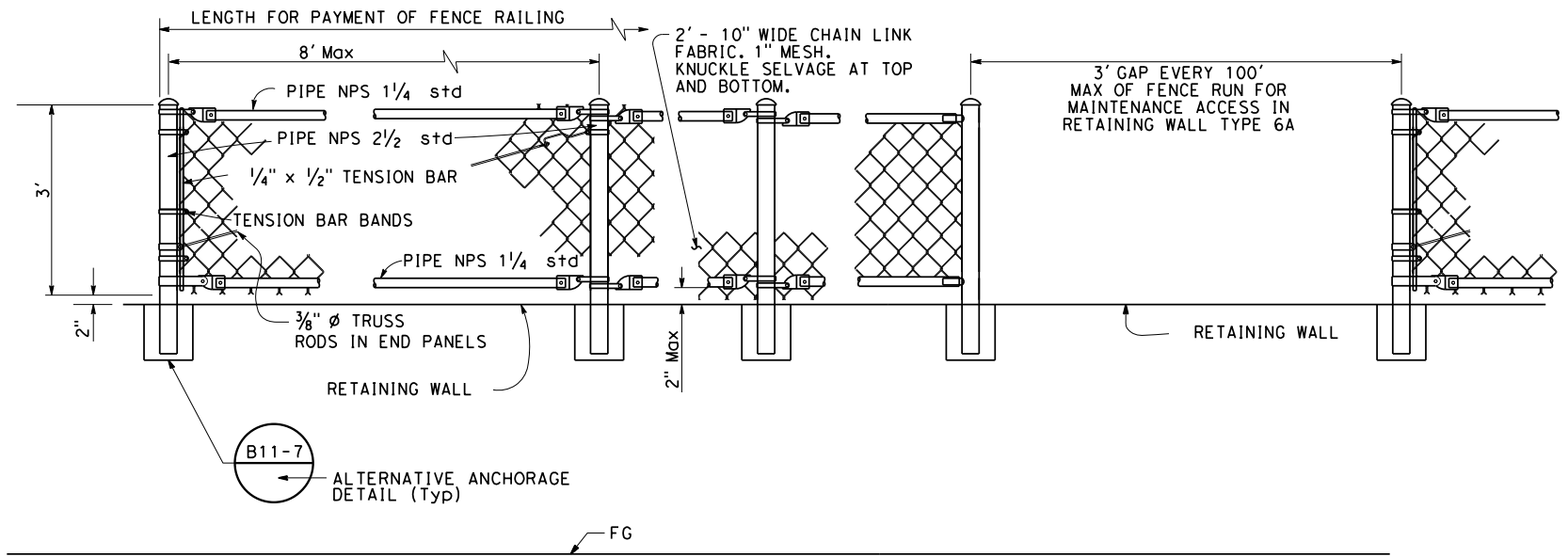
EL DORADO COUNTY
2850 FAIRLANE COURT
PLACERVILLE, CA 95667



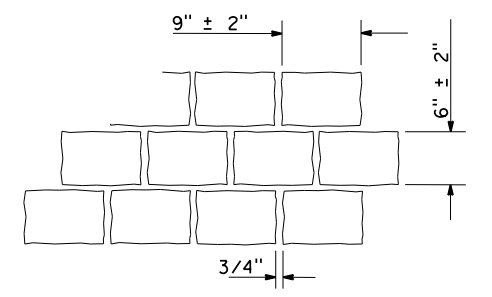
CONCRETE BARRIER (TYPE 60C Mod)



TEXTURED PAVING



FENCE RAILING DETAIL



COBBLESTONE PATTERN

CONSTRUCTION DETAILS

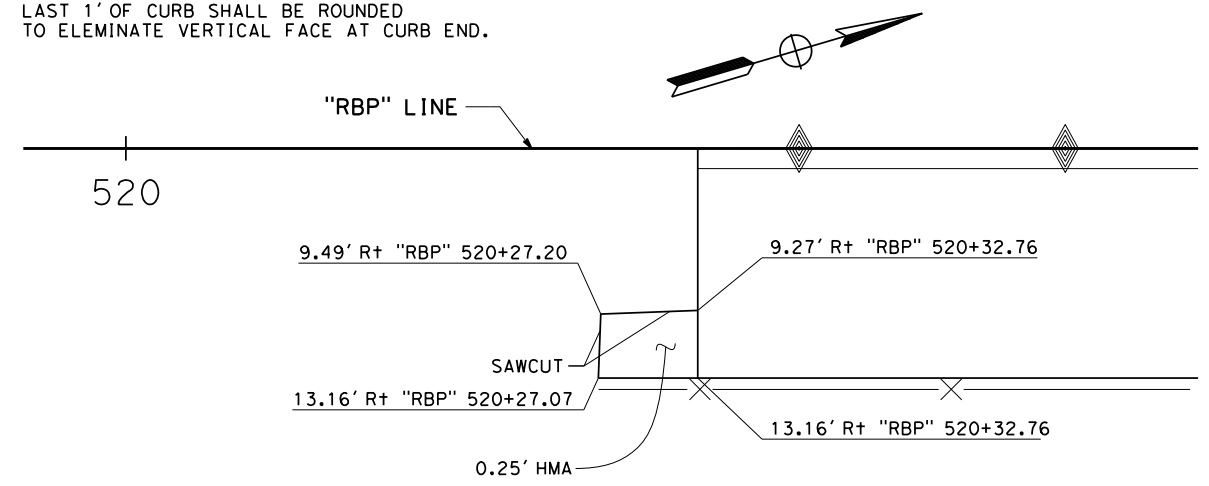
NO SCALE

C-1

STATE OF CALIFORNIA - DEPARTMENT OF TRANSPORTATION
Garrett
CONSULTANT SUPERVISOR JOHN QUINCY
DESIGNED BY GARRETT MCLAUGHLIN
CHECKED BY
REVISOR BY
DATE REVISED
BENJAMIN GRIMM
GARRETT MCLAUGHLIN
XX/XX/XX
XX/XX/XX
XX/XX/XX
XX/XX/XX
XX

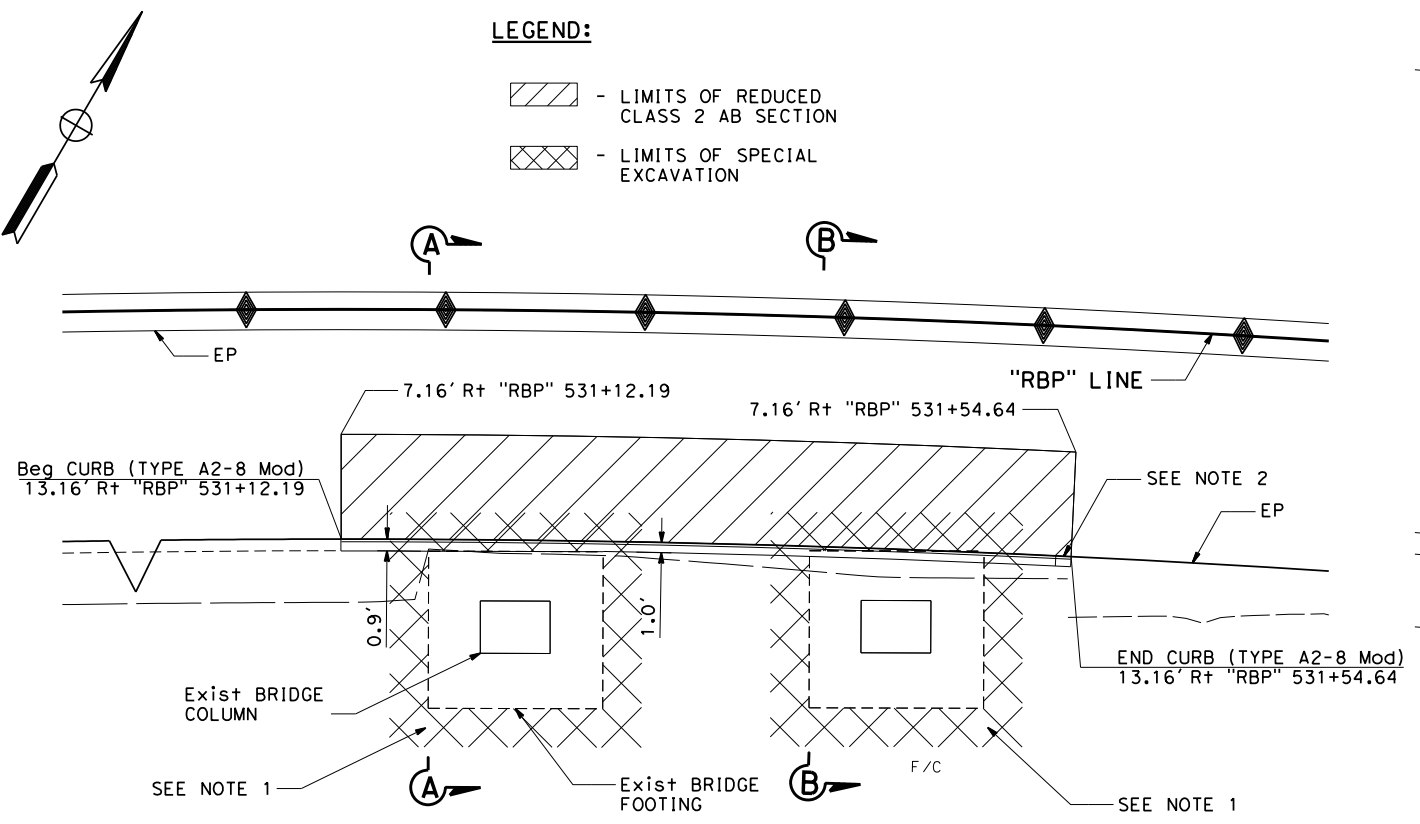
STATE OF CALIFORNIA - DEPARTMENT OF TRANSPORTATION
Caltrans
 CONSULTANT FUNCTIONAL SUPERVISOR JOHN QUINCY
 CALCULATED-DESIGNED BY CHECKED BY
 BENJAMIN GRIMM GARRETT MCLAUGHLIN
 REVISED BY DATE REVISED
 XX/XX/XX XX/XX/XX
 XX/XX/XX XX/XX/XX
 XX/XX/XX XX/XX/XX

- NOTES:**
1. ALL EXCAVATION WITHIN 2' OF EXISTING BRIDGE FOOTING SHALL BE DONE WITH HAND TOOLS.
 2. LAST 1' OF CURB SHALL BE ROUNDED TO ELEMIMATE VERTICAL FACE AT CURB END.

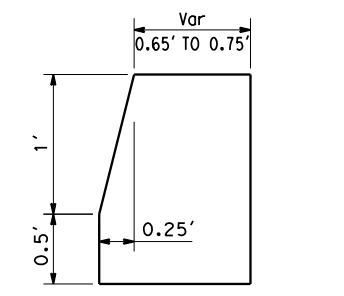


PAVEMENT AT CONFORM

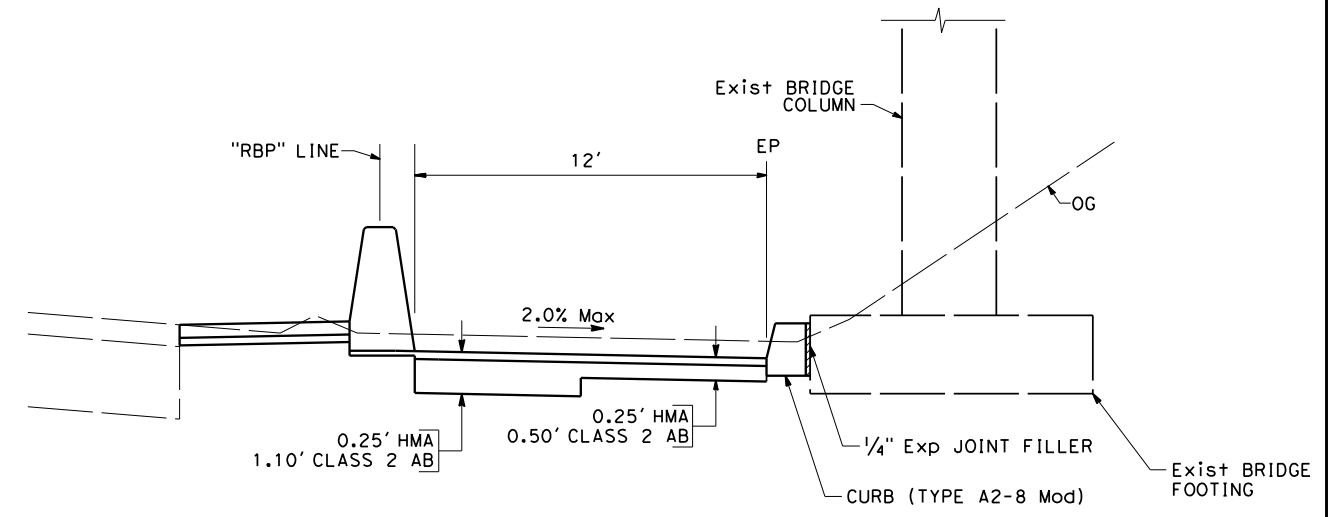
- LEGEND:**
- LIMITS OF REDUCED CLASS 2 AB SECTION
 - LIMITS OF SPECIAL EXCAVATION



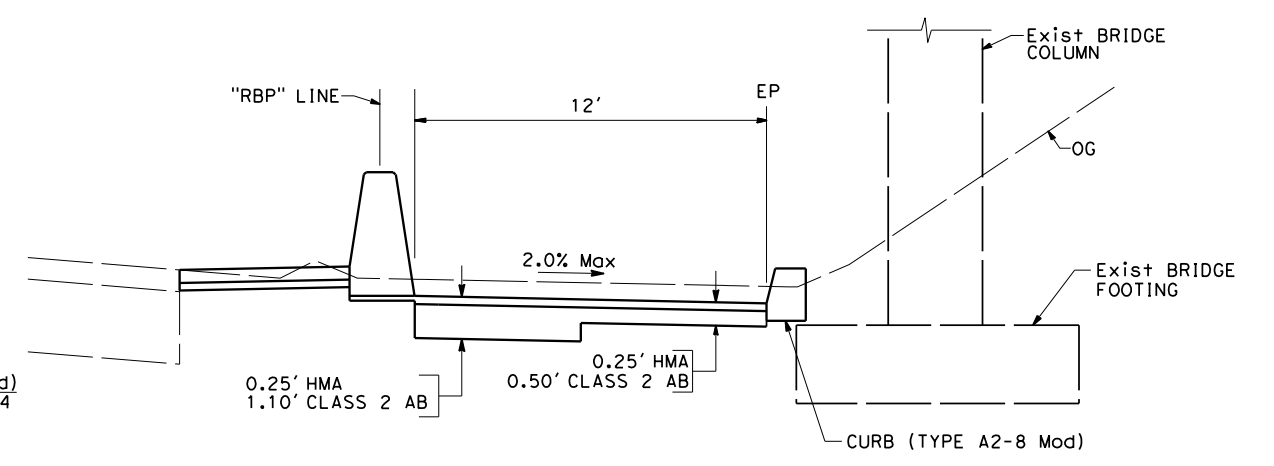
BIKE PATH AT EXISTING BRIDGE COLUMN



CURB (TYPE A2-8 Mod)



SECTION A-A



SECTION B-B

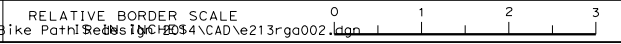
CONSTRUCTION DETAILS

NO SCALE

C-2

BORDER LAST REVISED 7/2/2010

USERNAME => garrettm
 DGN FILE => S:\client\el Dorado\E01-501-01-MOFLAT PS&E Phase 1B\Phase 1B.2_Bike Path\Revisions\16-0485 C 7.dgn



DATE PLOTTED => 3/14/2016
 TIME PLOTTED => 9:59:42 AM
 LAST REVISION 00-00-00

STATE OF CALIFORNIA - DEPARTMENT OF TRANSPORTATION
Caltrans

NOTE:
 1. LAST 1' OF CURB SHALL BE ROUNDED
 BE ELEMIMATE VERTICAL FACE AT CURB END.

Dist	COUNTY	ROUTE	POST MILES TOTAL PROJECT	SHEET No.	TOTAL SHEETS
03	ED	50	15.5/15.8	8	29

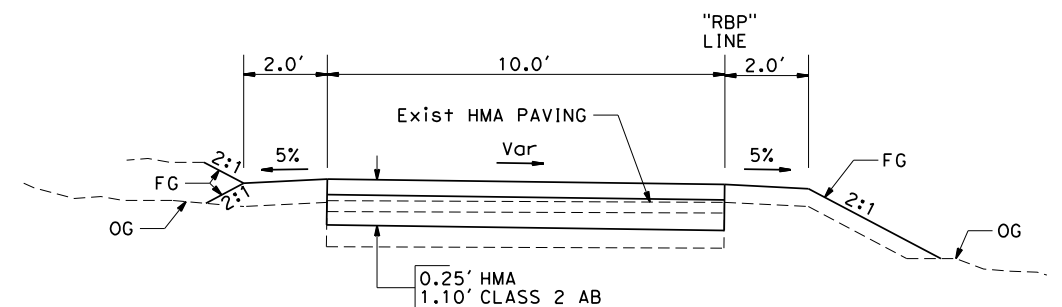
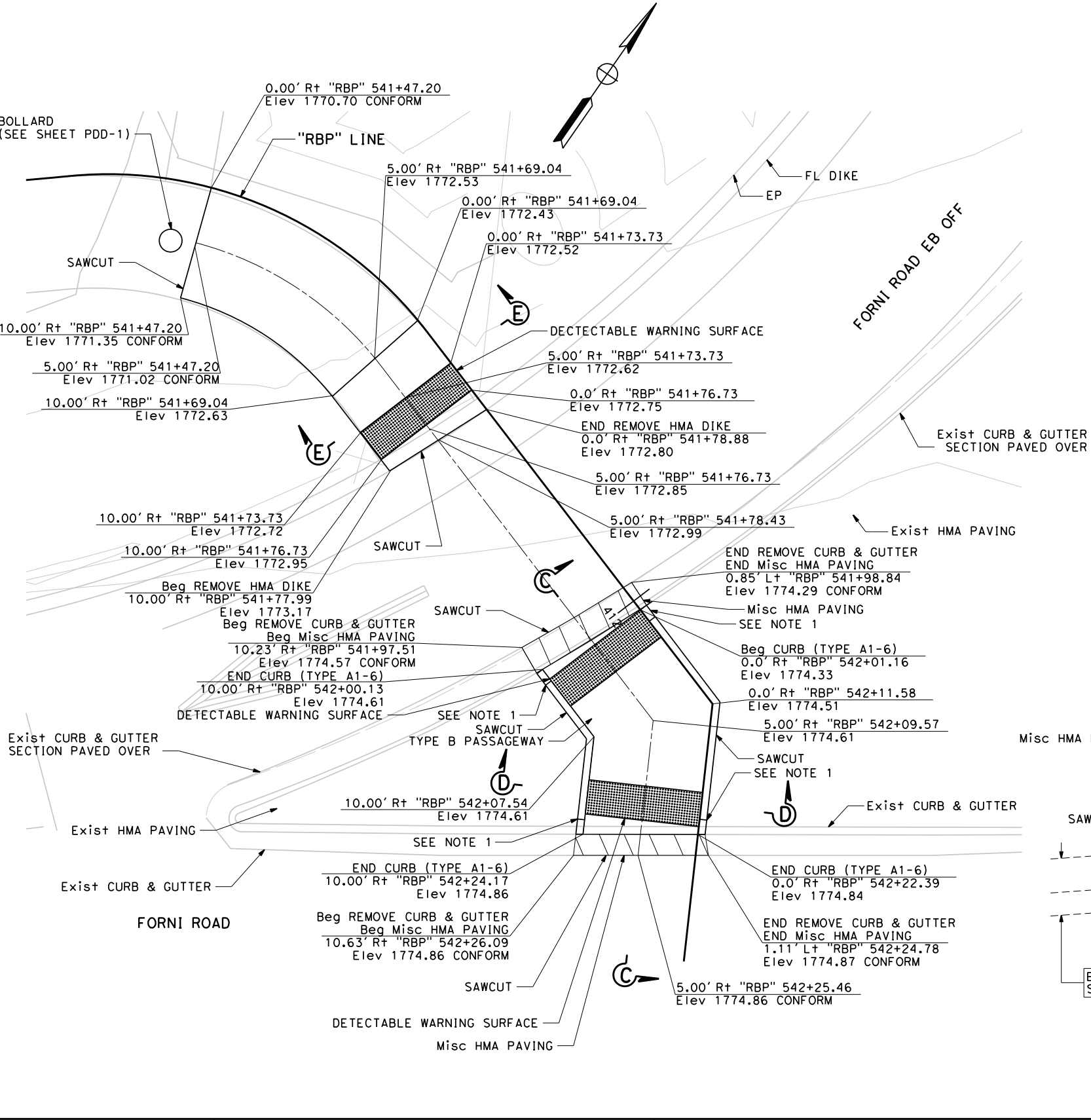
Garrett M. McLaughlin 05/29/15
 REGISTERED CIVIL ENGINEER DATE

May 29, 2015
 PLANS APPROVAL DATE

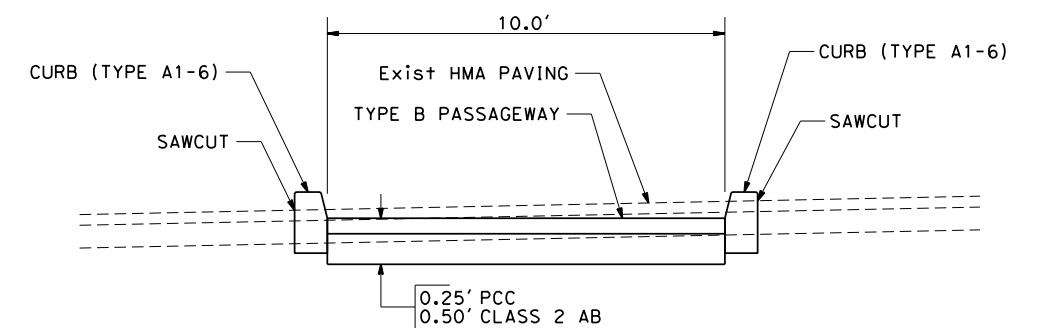
Garrett McLaughlin
 No. C67687
 Exp. 06/30/17
 CIVIL
 STATE OF CALIFORNIA

QUINCY ENGINEERING, INC
 1017 COBBLEROCK DRIVE SUITE 100
 RANCHO CORDOVA, CA 95670

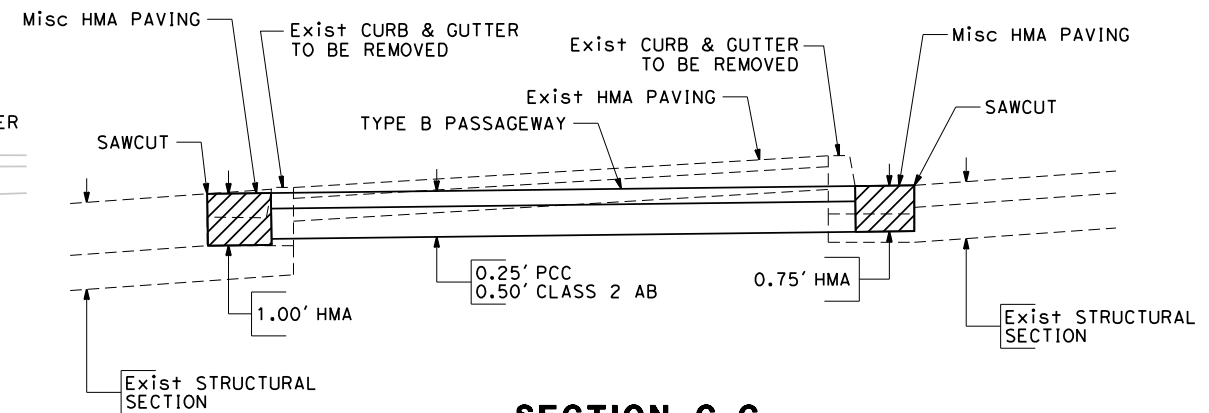
EL DORADO COUNTY
 2850 FAIRLANE COURT
 PLACERVILLE, CA 95667



SECTION E-E



SECTION D-D

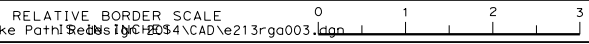


SECTION C-C

CONSTRUCTION DETAILS
 NO SCALE
C-3

BORDER LAST REVISED 7/2/2010

USERNAME => garrettm
 DGN FILE => S:\Client\El Dorado\E01-501-01-MOFLAT PS&E Phase 1B\Phase 1B.2_Bike Path\Roads\10034\CAD\213rga003.dgn



DATE PLOTTED => 3/14/2016
 TIME PLOTTED => 9:59:44 AM

XX	XX	XX	XX	XX	XX	XX	XX	XX	XX
XX/XX/XX	XX/XX/XX	XX/XX/XX	XX/XX/XX	XX/XX/XX	XX/XX/XX	XX/XX/XX	XX/XX/XX	XX/XX/XX	XX/XX/XX
REVISOR	DATE	REVISION	BY	DATE	REVISION	BY	DATE	REVISION	BY
BENJAMIN GRIMM			GARRETT MCLAUGHLIN						
DESIGNED BY	CHECKED BY	DESIGNED BY	CHECKED BY	DESIGNED BY	CHECKED BY	DESIGNED BY	CHECKED BY	DESIGNED BY	CHECKED BY
JOHN QUINCY									
CONSULTANT SUPERVISOR	DESIGNED BY	DESIGNED BY	CHECKED BY	DESIGNED BY	CHECKED BY	DESIGNED BY	CHECKED BY	DESIGNED BY	CHECKED BY
STATE OF CALIFORNIA - DEPARTMENT OF TRANSPORTATION									

NOTES:
 1. THIS PLAN ACCURATE FOR EROSION CONTROL WORK ONLY
 2. ALL DISTURBED SLOPED TO BE COVERED WITH ROLLED EROSION CONTROL PRODUCT (BLANKET).

LEGEND:
 HYDROSEED
 FIBER ROLL (TYPE B MATERIAL) (TYPE 2 INSTALLATION)
 TEMPORARY CHECK DAM (TYPE 1)

Dist	COUNTY	ROUTE	POST MILES TOTAL PROJECT	SHEET No.	TOTAL SHEETS
03	ED	50	15.5/15.8	9	29

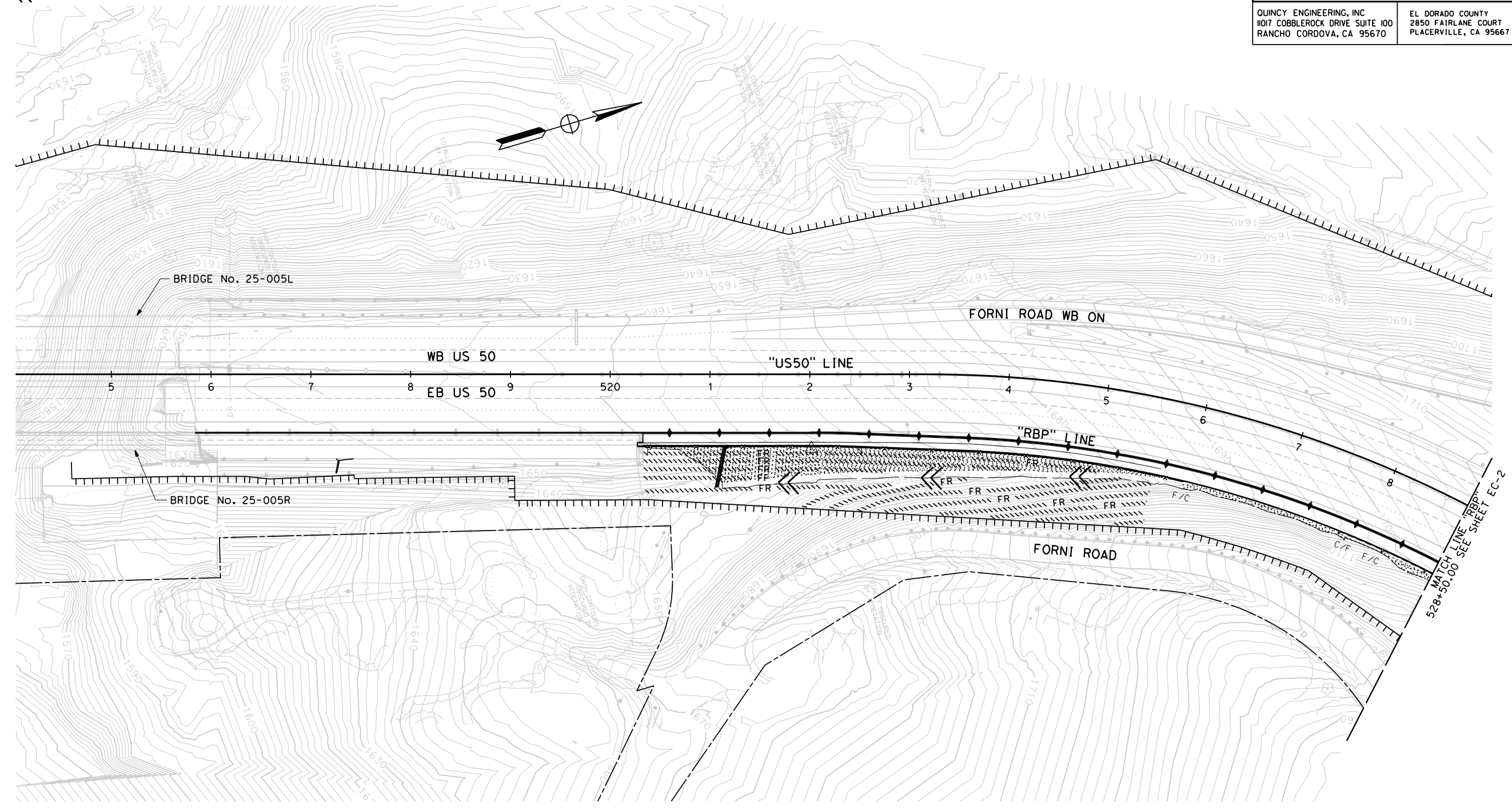
Garrett M. McLaughlin 05/29/15
 REGISTERED CIVIL ENGINEER DATE

May 29, 2015
 PLANS APPROVAL DATE

Garrett McLaughlin
 No. C67687
 Exp. 06/30/17
 CIVIL
 STATE OF CALIFORNIA

QUINCY ENGINEERING, INC
 1017 COBBLEROCK DRIVE SUITE 100
 RANCHO CORDOVA, CA 95670

EL DORADO COUNTY
 2850 FAIRLANE COURT
 PLACERVILLE, CA 95667

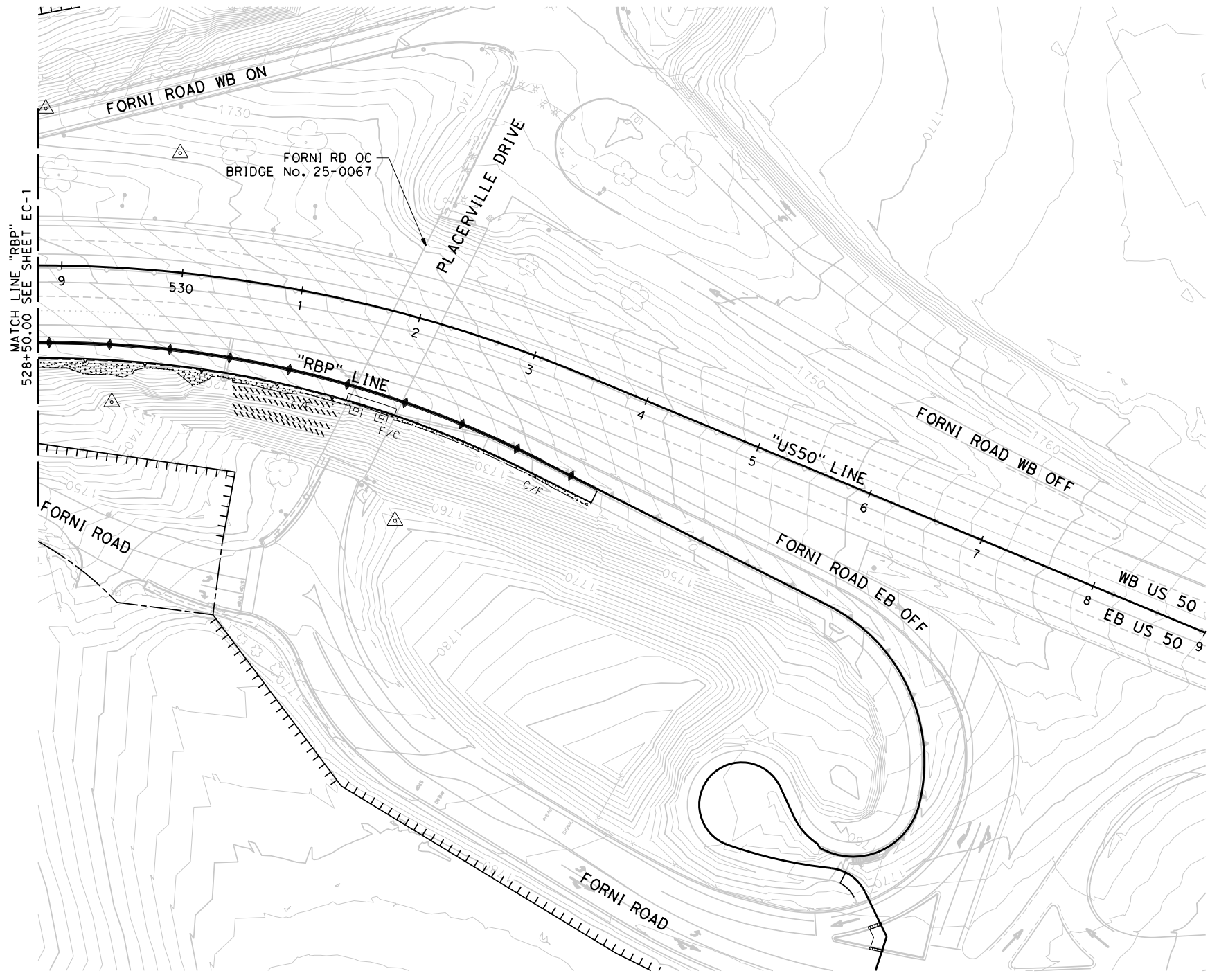


EROSION CONTROL PLAN
 SCALE: 1"=50'
EC-1

LAST REVISION 00-00-00 DATE PLOTTED => 3/14/2016 TIME PLOTTED => 9:59:47 AM

XX	XX	XX	XX	XX	XX	XX	XX	XX	XX
XX/XX/XX	XX/XX/XX	XX/XX/XX	XX/XX/XX	XX/XX/XX	XX/XX/XX	XX/XX/XX	XX/XX/XX	XX/XX/XX	XX/XX/XX
REVISOR	DATE	BY	REVISION	BY	DATE	BY	REVISION	BY	DATE
BENJAMIN GRIMM		GARRETT MCLAUGHLIN							
CALCULATED-DESIGNED BY	CHECKED BY	DESIGNED BY	CHECKED BY	DESIGNED BY	CHECKED BY	DESIGNED BY	CHECKED BY	DESIGNED BY	CHECKED BY
JOHN QUINCY									
CONSULTANT FUNCTIONAL SUPERVISOR									
STATE OF CALIFORNIA - DEPARTMENT OF TRANSPORTATION									
Caltrans									

NOTES:
 1. THIS PLAN ACCURATE FOR EROSION CONTROL WORK ONLY
 2. ALL DISTURBED SLOPED TO BE COVERED WITH ROLLED EROSION CONTROL PRODUCT (BLANKET).



Dist	COUNTY	ROUTE	POST MILES TOTAL PROJECT	SHEET No.	TOTAL SHEETS
03	ED	50	15.5/15.8	10	29

Garrett M. McLaughlin 05/29/15
 REGISTERED CIVIL ENGINEER DATE

May 29, 2015
 PLANS APPROVAL DATE

THE STATE OF CALIFORNIA OR ITS OFFICERS OR AGENTS SHALL NOT BE RESPONSIBLE FOR THE ACCURACY OR COMPLETENESS OF SCANNED COPIES OF THIS PLAN SHEET.

QUINCY ENGINEERING, INC
 1017 COBLEROCK DRIVE SUITE 100
 RANCHO CORDOVA, CA 95670

EL DORADO COUNTY
 2850 FAIRLANE COURT
 PLACERVILLE, CA 95667

EROSION CONTROL PLAN
 SCALE: 1"=50'
EC-2

LAST REVISION: 00-00-00 DATE PLOTTED => 3/14/2016 TIME PLOTTED => 9:59:48 AM

STATE OF CALIFORNIA - DEPARTMENT OF TRANSPORTATION
Caltrans

XX XX XX XX XX XX

REVISOR

REVISOR

REVISOR

REVISOR

REVISOR

REVISOR

REVISOR

REVISOR

REVISOR

REVISOR

REVISOR

REVISOR

REVISOR

REVISOR

REVISOR

REVISOR

REVISOR

REVISOR

REVISOR

REVISOR

REVISOR

Dist	COUNTY	ROUTE	POST MILES TOTAL PROJECT	SHEET No.	TOTAL SHEETS
03	ED	50	15.5/15.8	11	29

Garrett M. McLaughlin 05/29/15
 REGISTERED CIVIL ENGINEER DATE

May 29, 2015
 PLANS APPROVAL DATE

THE STATE OF CALIFORNIA OR ITS OFFICERS OR AGENTS SHALL NOT BE RESPONSIBLE FOR THE ACCURACY OR COMPLETENESS OF SCANNED COPIES OF THIS PLAN SHEET.

QUINCY ENGINEERING, INC
 1017 COBBLEROCK DRIVE SUITE 100
 RANCHO CORDOVA, CA 95670

EL DORADO COUNTY
 2850 FAIRLANE COURT
 PLACERVILLE, CA 95667

HYDROSEED SEED MIX

PLANT No.	BOTANICAL NAME	COMMON NAME	Min GERMINATION RATES	Lbs. PURE LIVE SEED PER ACRE
1	ESCHSCHOLZIA CALIFORNICA	CALIFORNIA POPPY	67.5%	2.5
2	TRIFOLIUM WILLDENOVII	TOMCAT CLOVER	63%	3
3	MELICA CALIFORNICA	CALIFORNIA MELIC	54%	3
4	LEYMUS TRITICOIDES	CREEPING WILDRYE	72%	7
5	NASELLA LEPIDA	FOOTHILL NEEDLEGRASS	63%	5.5
6	LOTUS PURSHIANUS	PURSHING LOTUS	45%	7.5

NOTE:
 1. SEED SOURCE SHALL ORIGINATE FROM SACRAMENTO VALLEY AND SIERRA FOOTHILLS REGIONS.

EROSION CONTROL

SEQUENCE	ITEM	MATERIAL		APPLICAITON RATE
		DESCRIPTION	TYPE	
STEP 1	HYDROSEED	SEED	SEED MIX	28.5 LB/ACRE
STEP 2	HYDROSEED	FIBER	WOOD	1500 LB/ACRE
STEP 3	HYDROSEED	TACKIFIER	PSYLLIUM	180 LB/ACRE
STEP 4	ROLLED EROSION CONTROL PRODUCT	BLANKET	TYPE B	
STEP 5	FIBER ROLLS	STRAW		TYPE 2

EROSION CONTROL LEGEND
 NO SCALE
ECL-1

DATE PLOTTED => 3/14/2016
 TIME PLOTTED => 9:59:45 AM

STATE OF CALIFORNIA - DEPARTMENT OF TRANSPORTATION
 CONSULTANT FUNCTIONAL SUPERVISOR
 JOHN QUINCY
 CHECKED BY
 GARRETT McLAUGHLIN
 REVISIONS:
 XX XX XX XX XX XX
 XX/XX/XX XX/XX/XX XX/XX/XX XX/XX/XX
 REVISED BY
 BENJAMIN GRIMM
 DATE REVISED
 GARRETT McLAUGHLIN

- NOTES:**
- FOR COMPLETE RIGHT OF WAY AND ACCURATE ACCESS DATA, SEE RIGHT OF WAY RECORD MAPS AT THE CALTRANS DISTRICT OR COUNTY OFFICE.
 - LOCATION OF EXISTING DRAINAGE FACILITIES ARE APPROXIMATE. VERIFY LOCATION AND ELEVATION OF EXISTING DRAINAGE FACILITIES PRIOR TO MODIFYING.
 - CONTRACTOR IS RESPONSIBLE TO PROVIDE POSITIVE DRAINAGE FROM ALL ROADWAY AT ALL TIMES.
 - SEE LAYOUT SHEETS FOR LIMITS OF GUTTERS, CURBS AND DIKES.

- ABBREVIATIONS:**
- TCE TEMPORARY CONSTRUCTION EASEMENT
 - DRCB DOUBLE REINFORCED CONCRETE BOX
 - HMAOD HOT MIX ASPHALT OVERSIDE DRAIN
 - DA DEPRESSED APRON

- LEGEND:**
- XXX DRAINAGE SYSTEM NUMBER
 - XX DRAINAGE UNIT NUMBER
 - DIRECTION OF DITCH FLOW
 - DITCH FL
 - GRADE TO DRAIN
 - ROCK SLOPE PROTECTION

Dist	COUNTY	ROUTE	POST MILES TOTAL PROJECT	SHEET No.	TOTAL SHEETS
03	ED	50	15.5/15.8	12	29

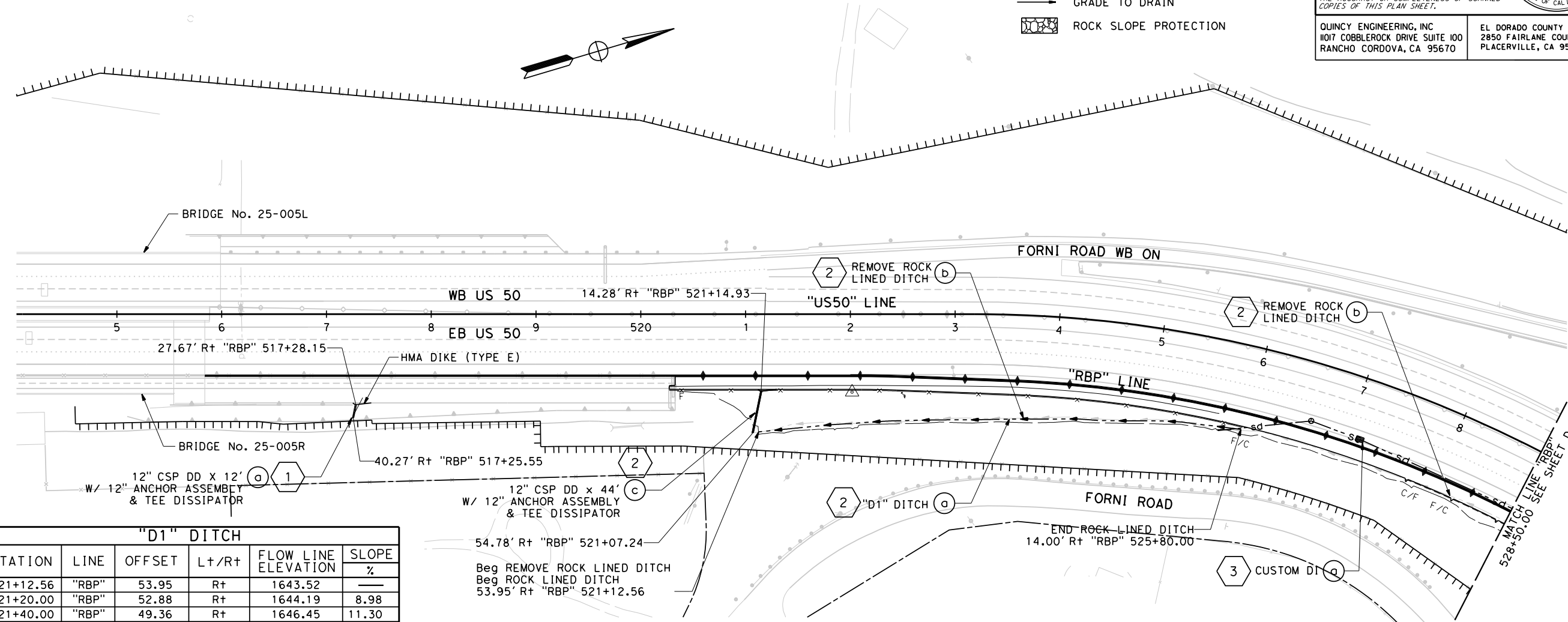
Garrett M. McLaughlin 05/29/15
 REGISTERED CIVIL ENGINEER DATE

May 29, 2015
 PLANS APPROVAL DATE

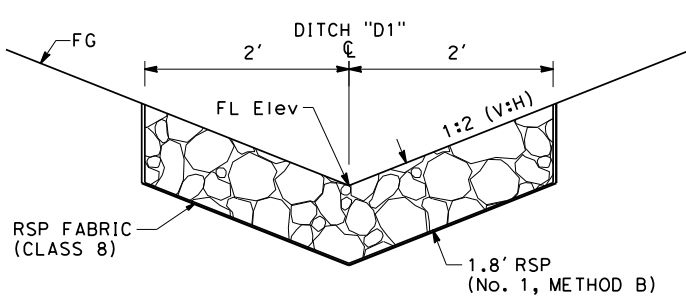
Garrett McLaughlin
 No. C67687
 Exp. 06/30/17
 CIVIL ENGINEER
 STATE OF CALIFORNIA

THE STATE OF CALIFORNIA OR ITS OFFICERS OR AGENTS SHALL NOT BE RESPONSIBLE FOR THE ACCURACY OR COMPLETENESS OF SCANNED COPIES OF THIS PLAN SHEET.

QUINCY ENGINEERING, INC. EL DORADO COUNTY
 1017 COBBLEROCK DRIVE SUITE 100 2850 FAIRLANE COURT
 RANCHO CORDOVA, CA 95670 PLACERVILLE, CA 95667



"D1" DITCH					
STATION	LINE	OFFSET	L+R/+	FLOW LINE ELEVATION	SLOPE %
521+12.56	"RBP"	53.95	R+	1643.52	---
521+20.00	"RBP"	52.88	R+	1644.19	8.98
521+40.00	"RBP"	49.36	R+	1646.45	11.30
521+60.00	"RBP"	46.59	R+	1648.56	10.55
521+80.00	"RBP"	44.93	R+	1650.11	7.75
522+00.00	"RBP"	45.60	R+	1651.15	5.20
522+20.00	"RBP"	45.40	R+	1652.56	7.05
522+40.00	"RBP"	44.25	R+	1653.78	6.10
522+60.00	"RBP"	42.45	R+	1654.92	5.70
522+80.00	"RBP"	40.30	R+	1656.02	5.50
523+00.00	"RBP"	38.99	R+	1657.44	7.10
523+20.00	"RBP"	38.17	R+	1658.66	6.10
523+40.00	"RBP"	36.65	R+	1660.28	8.10
523+60.00	"RBP"	35.68	R+	1661.85	7.85
523+80.00	"RBP"	34.55	R+	1663.13	6.40
524+00.00	"RBP"	33.99	R+	1664.35	6.10
524+20.00	"RBP"	32.37	R+	1666.21	9.30
524+40.00	"RBP"	30.60	R+	1668.16	9.75
524+60.00	"RBP"	28.73	R+	1670.30	10.70
524+80.00	"RBP"	26.16	R+	1672.63	11.65
525+00.00	"RBP"	23.63	R+	1675.10	12.35
525+20.00	"RBP"	21.36	R+	1677.47	11.85
525+40.00	"RBP"	20.87	R+	1679.36	9.45
525+60.00	"RBP"	20.89	R+	1682.58	16.10
525+80.00	"RBP"	14.00	R+	1684.30	8.60



2 "D1" DITCH

Sta "RBP" 521+12.56 TO "RBP" 525+80.00
 NOTE: FOR FLOW LINE ELEVATION, SEE TABLE.

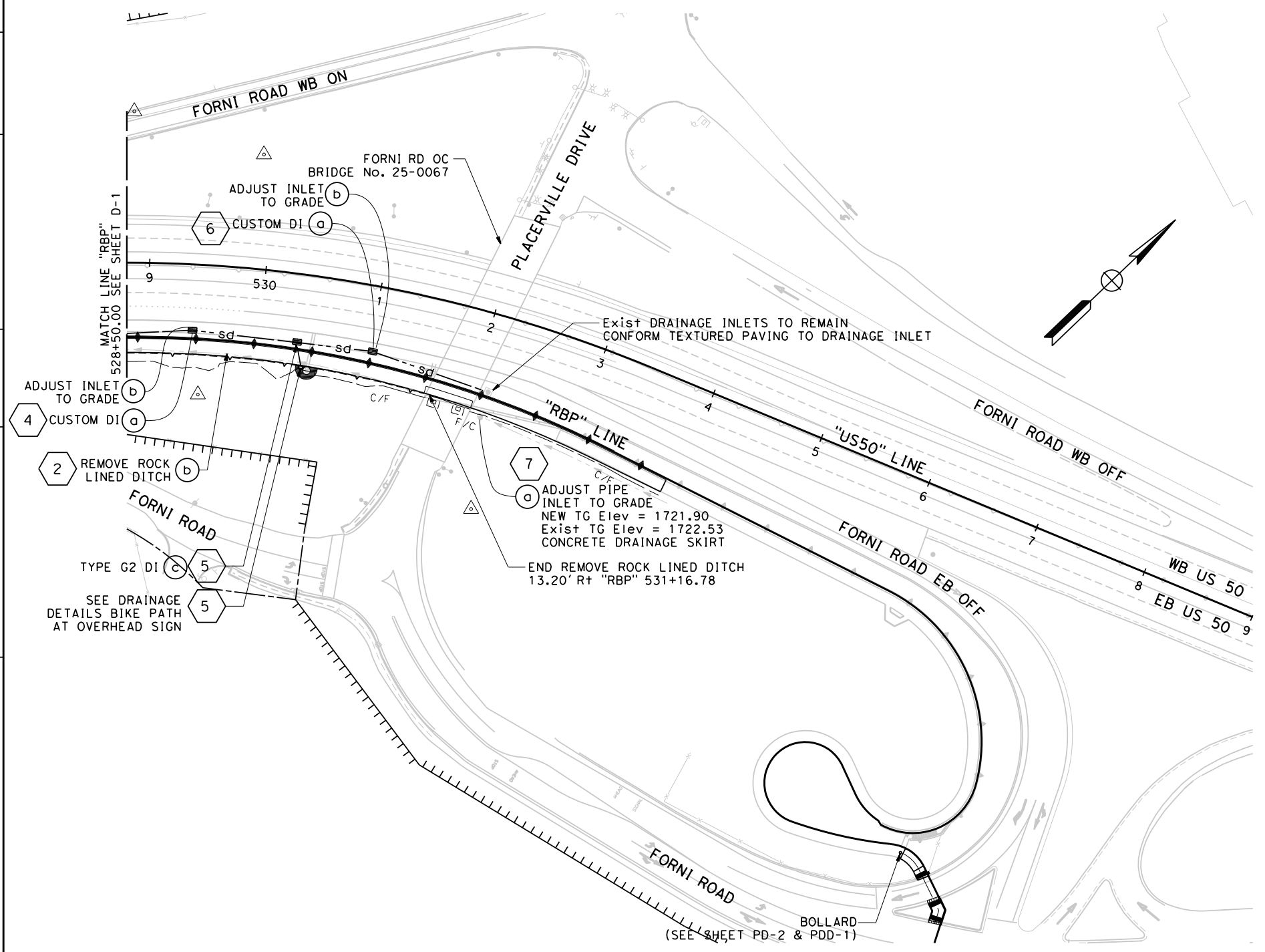
DRAINAGE PLAN
 SCALE: 1"=50'
D-1

XX	XX	XX	XX	XX	XX	XX	XX	XX	XX
XX	XX	XX	XX	XX	XX	XX	XX	XX	XX
XX	XX	XX	XX	XX	XX	XX	XX	XX	XX
REVISOR	BY	DATE	REVISOR	BY	DATE	REVISOR	BY	DATE	REVISOR
BENJAMIN GRIMM	GARRETT McLAUGHLIN		BENJAMIN GRIMM	GARRETT McLAUGHLIN		BENJAMIN GRIMM	GARRETT McLAUGHLIN		BENJAMIN GRIMM
CALCULATED-DESIGNED BY	CHECKED BY		CALCULATED-DESIGNED BY	CHECKED BY		CALCULATED-DESIGNED BY	CHECKED BY		CALCULATED-DESIGNED BY
JOHN QUINCY			JOHN QUINCY			JOHN QUINCY			JOHN QUINCY
CONSULTANT SUPERVISOR			CONSULTANT SUPERVISOR			CONSULTANT SUPERVISOR			CONSULTANT SUPERVISOR
STATE OF CALIFORNIA - DEPARTMENT OF TRANSPORTATION			STATE OF CALIFORNIA - DEPARTMENT OF TRANSPORTATION			STATE OF CALIFORNIA - DEPARTMENT OF TRANSPORTATION			STATE OF CALIFORNIA - DEPARTMENT OF TRANSPORTATION
Caltrans			Caltrans			Caltrans			Caltrans

NOTES:

1. FOR COMPLETE RIGHT OF WAY AND ACCURATE ACCESS DATA, SEE RIGHT OF WAY RECORD MAPS AT THE CALTRANS DISTRICT OR COUNTY OFFICE.

Dist	COUNTY	ROUTE	POST MILES TOTAL PROJECT	SHEET No.	TOTAL SHEETS
03	ED	50	15.5/15.8	13	29
<p>Garrett McLaughlin 05/29/15 REGISTERED CIVIL ENGINEER DATE</p> <p>May 29, 2015 PLANS APPROVAL DATE</p> <p>THE STATE OF CALIFORNIA OR ITS OFFICERS OR AGENTS SHALL NOT BE RESPONSIBLE FOR THE ACCURACY OR COMPLETENESS OF SCANNED COPIES OF THIS PLAN SHEET.</p>					
<p>QUINCY ENGINEERING, INC 1017 COBBLEROCK DRIVE SUITE 100 RANCHO CORDOVA, CA 95670</p>			<p>EL DORADO COUNTY 2850 FAIRLANE COURT PLACERVILLE, CA 95667</p>		



DRAINAGE PLAN
 SCALE: 1"=50'
D-2

DATE PLOTTED => 3/14/2016
 TIME PLOTTED => 9:59:50 AM

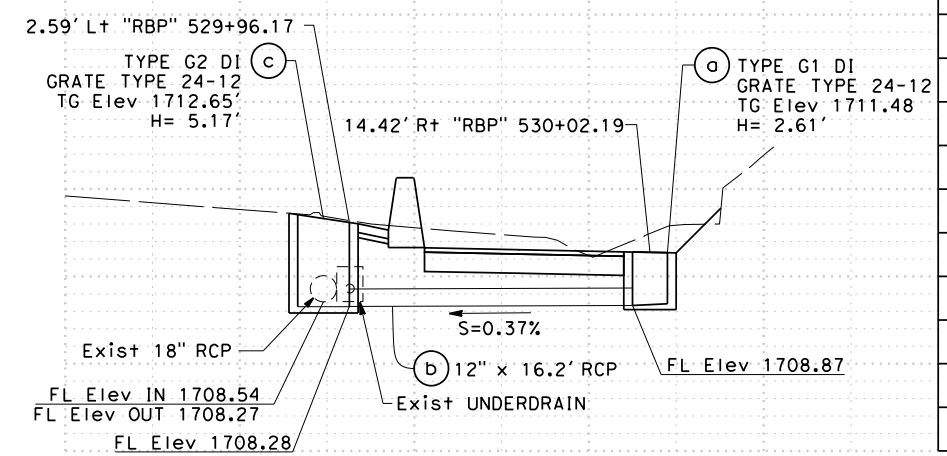
STATE OF CALIFORNIA - DEPARTMENT OF TRANSPORTATION
Caltrans
 CONSULTANT FUNCTIONAL SUPERVISOR: JOHN QUINCY
 CHECKED BY: GARRETT McLAUGHLIN
 DESIGNED BY: BENJAMIN GRIMM
 REVISIONS:
 XX XX XX XX XX XX
 XX XX XX XX XX XX
 XX XX XX XX XX XX
 XX XX XX XX XX XX

Dist	COUNTY	ROUTE	POST MILES TOTAL PROJECT	SHEET No.	TOTAL SHEETS
03	ED	50	15.5/15.8	14	29

Garrett McLaughlin
 REGISTERED CIVIL ENGINEER
 DATE 05/29/15
 May 29, 2015
 PLANS APPROVAL DATE
 No. C67687
 Exp. 06/30/17
 CIVIL
 STATE OF CALIFORNIA

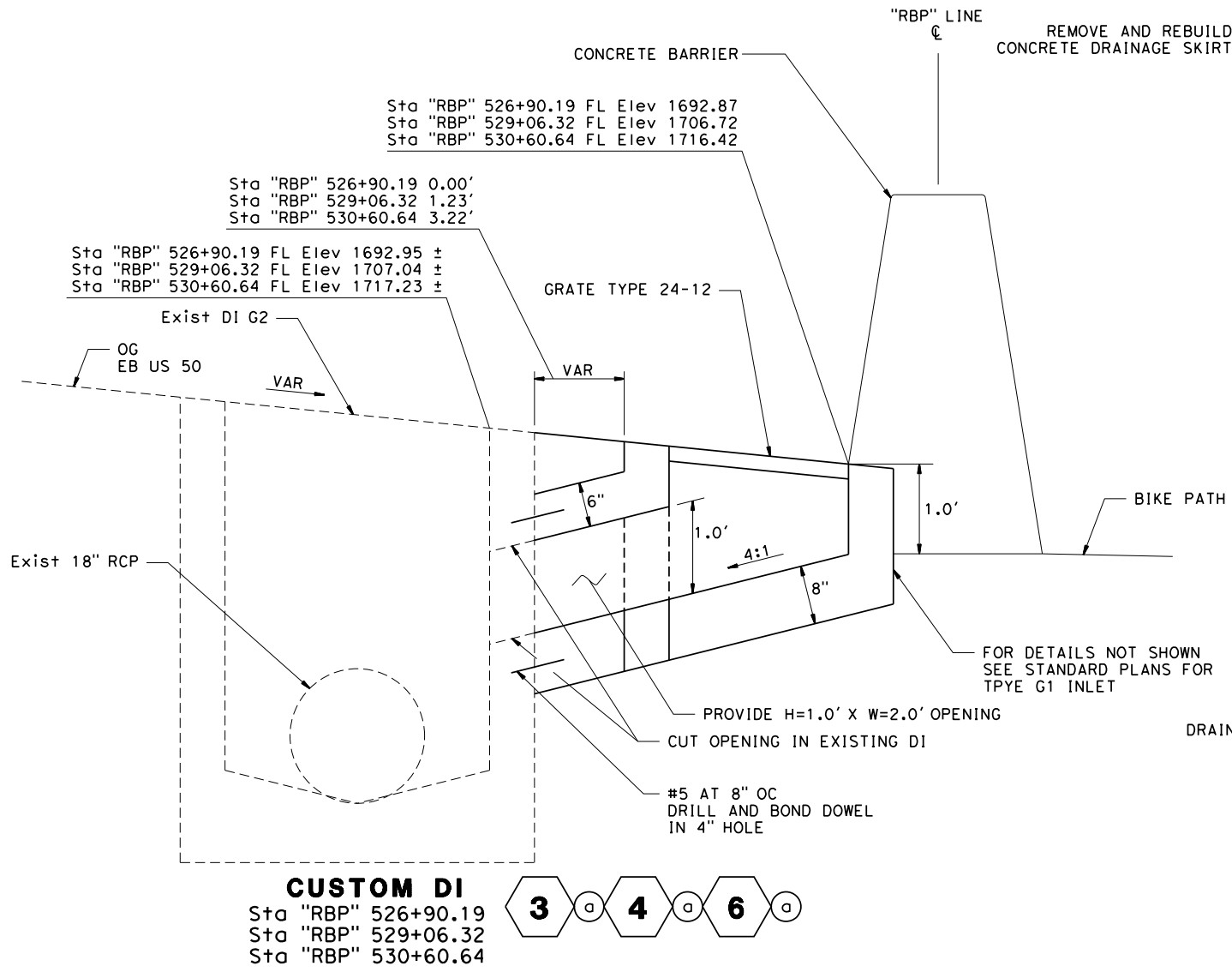
QUINCY ENGINEERING, INC
 1017 COBBLEROCK DRIVE SUITE 100
 RANCHO CORDOVA, CA 95670

EL DORADO COUNTY
 2850 FAIRLANE COURT
 PLACERVILLE, CA 95667

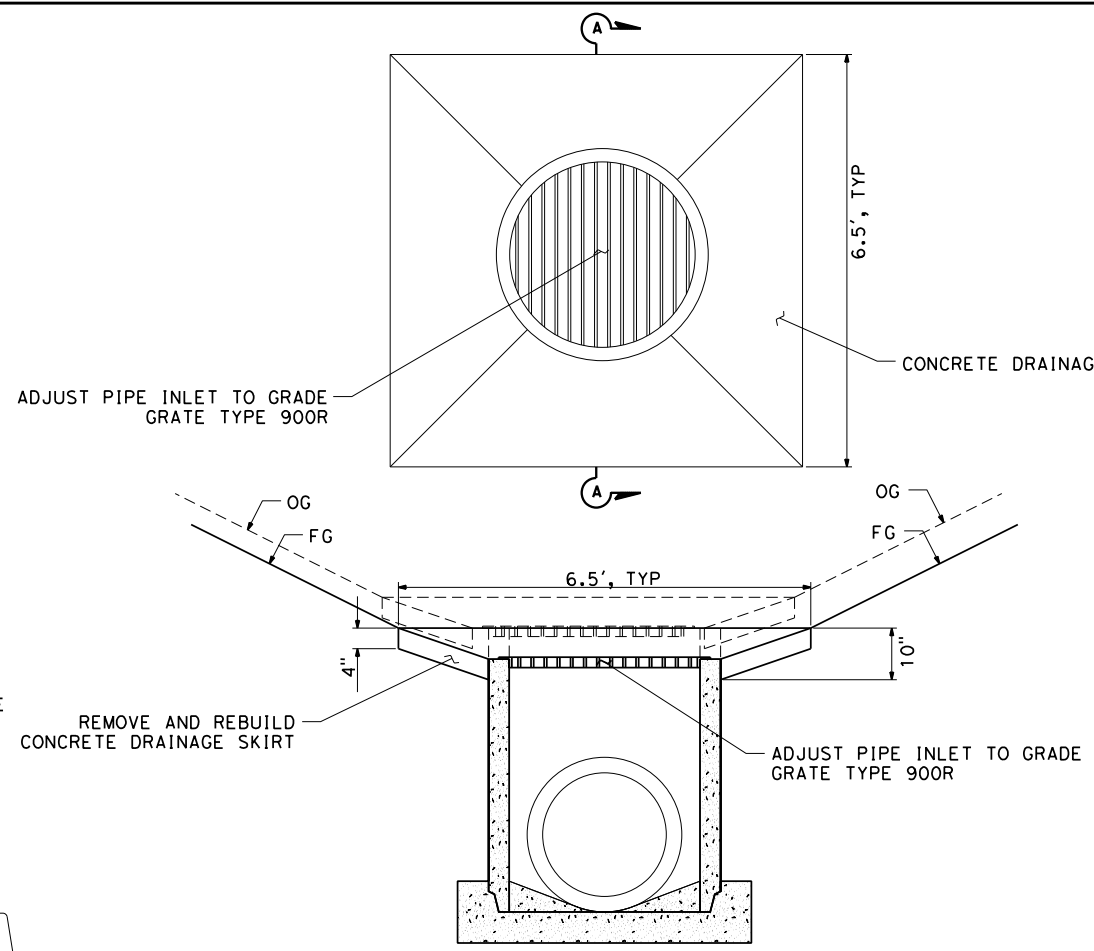


1725
1720
1715
1710
1705

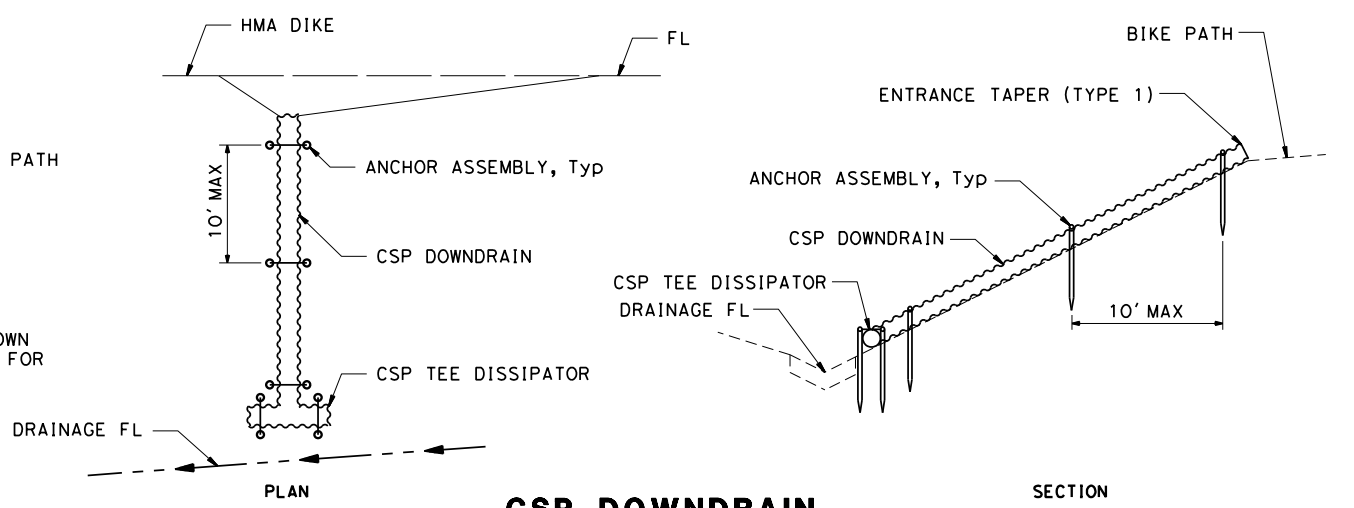
DRAINAGE SYSTEM No. 5
 Horiz : 1" = 5'
 Vert : 1" = 5'



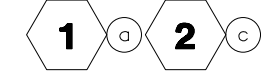
CUSTOM DI
 Sta "RBP" 526+90.19
 Sta "RBP" 529+06.32
 Sta "RBP" 530+60.64



**SECTION A-A
 ADJUST PIPE INLET TO GRADE**



CSP DOWNDRAIN



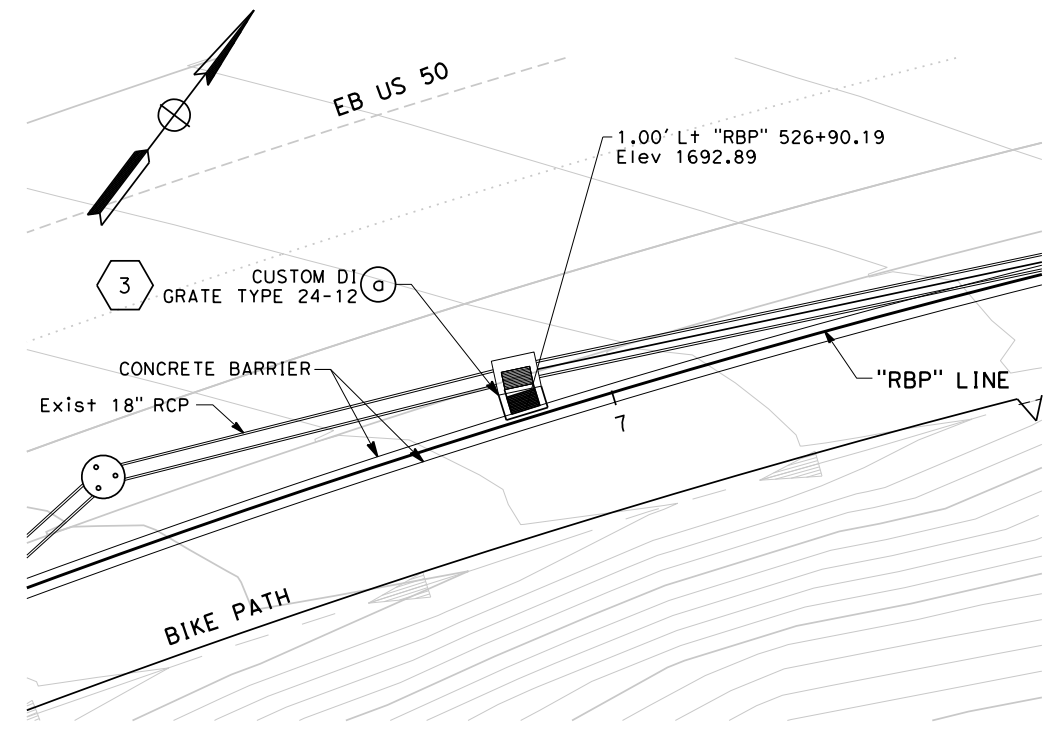
DRAINAGE DETAILS

NO SCALE

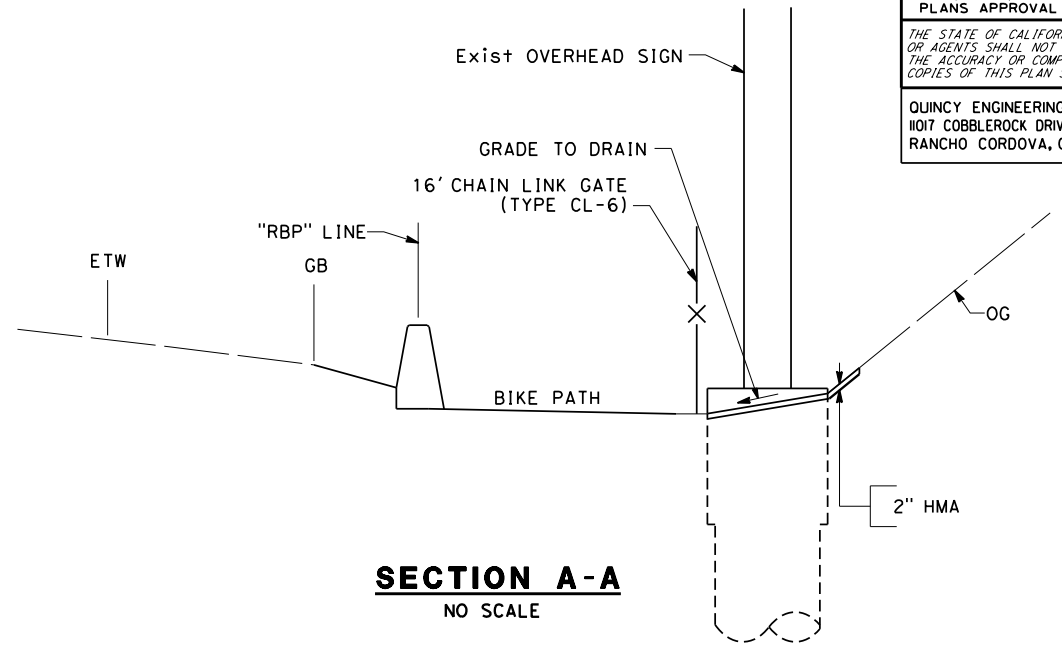
DD-1

STATE OF CALIFORNIA - DEPARTMENT OF TRANSPORTATION	CONSULTANT FUNCTIONAL SUPERVISOR	REVISOR	DATE
Garrett	JOHN QUINCY	BENJAMIN GRIMM	XX/XX/XX
		GARRETT MCLAUGHLIN	XX/XX/XX
		CHECKED BY	XX/XX/XX
		DESIGNED BY	XX/XX/XX
		DATE	XX/XX/XX

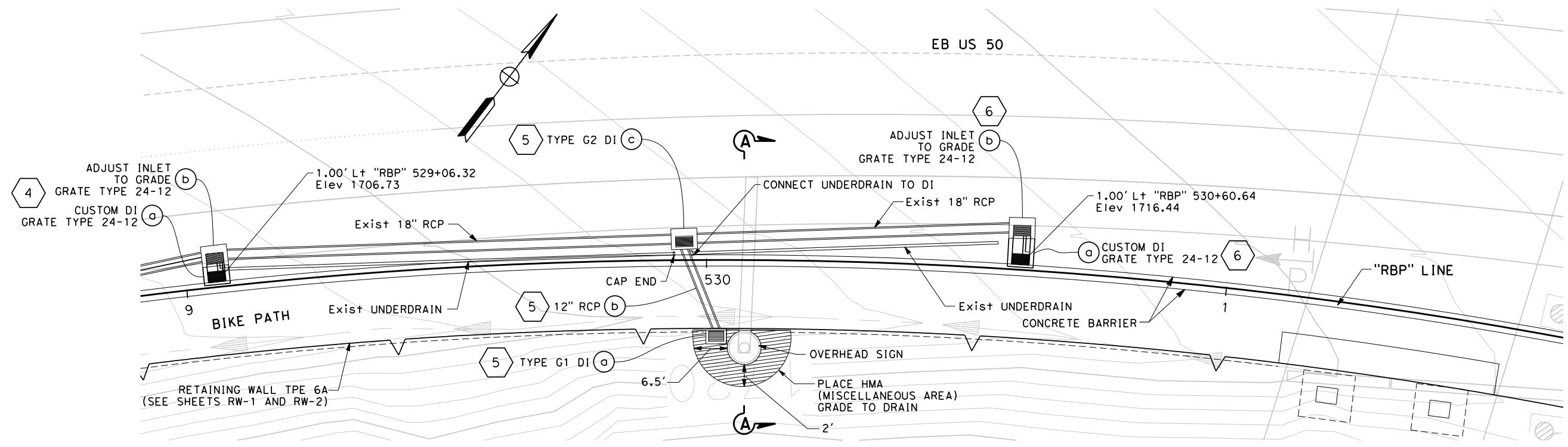
Dist	COUNTY	ROUTE	POST MILES TOTAL PROJECT	SHEET No.	TOTAL SHEETS
03	ED	50	15.5/15.8	15	29
Garrett M. McLaughlin 05/29/15 REGISTERED CIVIL ENGINEER DATE					
May 29, 2015 PLANS APPROVAL DATE					
THE STATE OF CALIFORNIA OR ITS OFFICERS OR AGENTS SHALL NOT BE RESPONSIBLE FOR THE ACCURACY OR COMPLETENESS OF SCANNED COPIES OF THIS PLAN SHEET.					
QUINCY ENGINEERING, INC 1017 COBBLEROCK DRIVE SUITE 100 RANCHO CORDOVA, CA 95670			EL DORADO COUNTY 2850 FAIRLANE COURT PLACERVILLE, CA 95667		



DETAIL 1



SECTION A-A
NO SCALE



BIKE PATH AT OVERHEAD SIGN
NO SCALE

DRAINAGE DETAILS
NO SCALE
DD-2

BORDER LAST REVISED 7/2/2010

USERNAME => garrettm
 DGN FILE => S:\Client\El Dorado\01-501-01-MOFLAT PS&E Phase 1B\Phase 1B.2_Bike Path\Revised\160485 C 15.dgn
 RELATIVE BORDER SCALE 0 1 2 3

DATE PLOTTED => 3/14/2016
 TIME PLOTTED => 9:59:53 AM

STATE OF CALIFORNIA - DEPARTMENT OF TRANSPORTATION
Caltrans
 CONSULTANT FUNCTIONAL SUPERVISOR JOHN QUINCY
 CALCULATED-DESIGNED BY CHECKED BY
 BENJAMIN GRIMM GARRETT McLAUGHLIN
 REVISED BY DATE REVISED
 XX/XX/XX XX/XX/XX
 XX/XX/XX XX/XX/XX
 XX/XX/XX XX/XX/XX

NOTES:

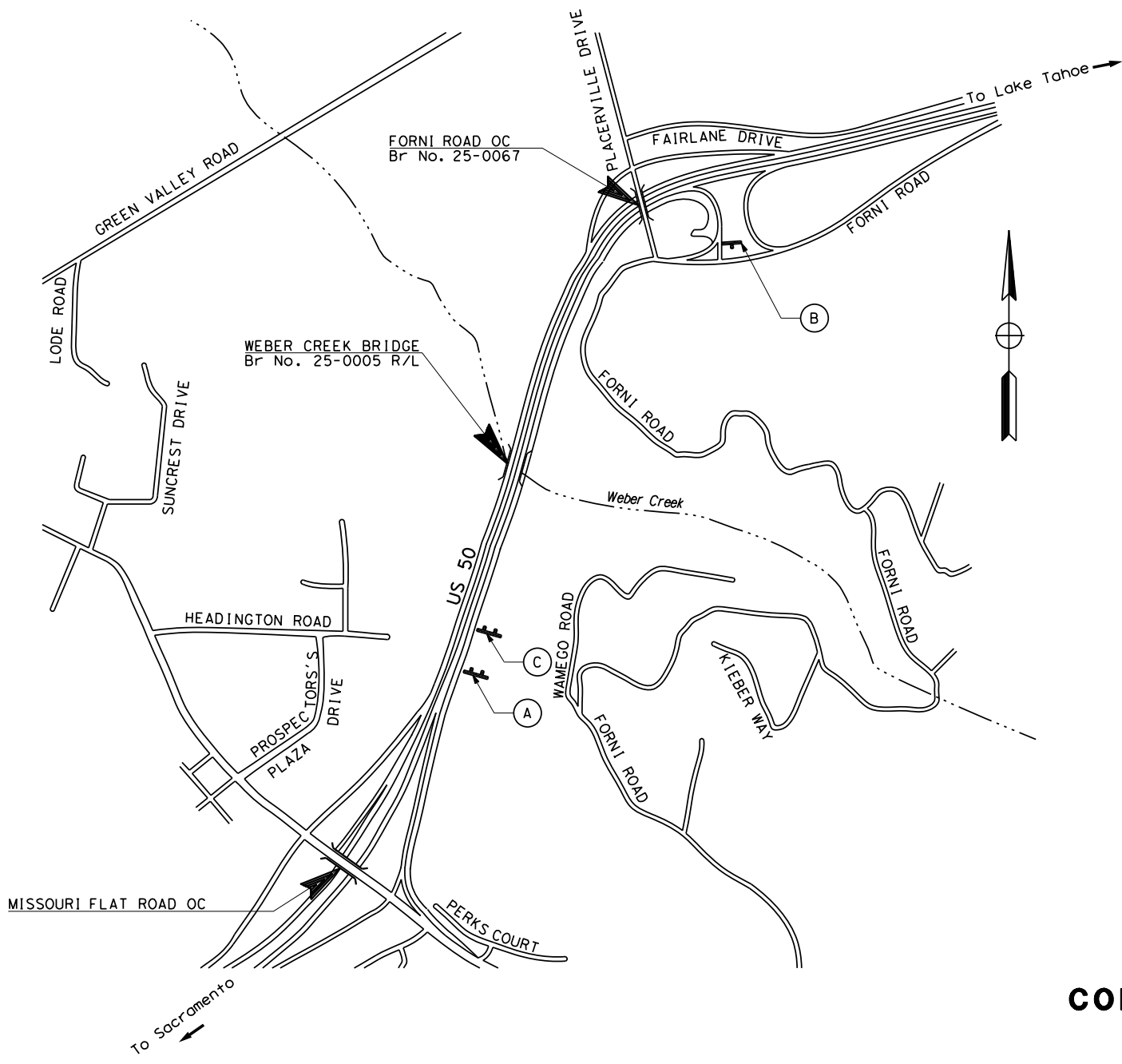
1. THIS PLAN ACCURATE FOR CONSTRUCTION AREA SIGN WORK ONLY.
2. SIGN LOCATIONS ARE APPROXIMATE. EXACT LOCATIONS TO BE DETERMINED BY THE ENGINEER AND APPROVED BY CALTRANS.

LEGEND:

- (X) SIGN LETTER
- ┆ SIGN LOCATION, ONE POST
- ┆┆ SIGN LOCATION, TWO POST

CONSTRUCTION AREA SIGN (STATIONARY MOUNTED) QUANTITIES

SIGN LETTER	MUTCD SIGN CODE	PANEL SIZE (IN X IN)	SIGN MESSAGE	POST SIZE (IN)	No. OF POSTS (EA)
A	W20-1	60 x 60	ROAD WORK AHEAD	4 x 6	2
B	G20-2	36 x 18	END ROAD WORK	4 x 4	1
C	C40(Mod)(CA)	96 x 60	TRAFFIC FINES DOUBLED IN WORK ZONES	6 x 8	2



Dist	COUNTY	ROUTE	POST MILES TOTAL PROJECT	SHEET No.	TOTAL SHEETS
03	ED	50	15.5/15.8	16	29

Garrett M. McLaughlin 05/29/15
 REGISTERED CIVIL ENGINEER DATE

May 29, 2015
 PLANS APPROVAL DATE

Garrett McLaughlin
 No. C67687
 Exp. 06/30/17
 REGISTERED PROFESSIONAL ENGINEER CIVIL STATE OF CALIFORNIA

THE STATE OF CALIFORNIA OR ITS OFFICERS OR AGENTS SHALL NOT BE RESPONSIBLE FOR THE ACCURACY OR COMPLETENESS OF SCANNED COPIES OF THIS PLAN SHEET.

QUINCY ENGINEERING, INC
 1017 COBBLEROCK DRIVE SUITE 100
 RANCHO CORDOVA, CA 95670

EL DORADO COUNTY
 2850 FAIRLANE COURT
 PLACERVILLE, CA 95667

SIGN DETAILS

(C) C40(Mod)(CA)

**TRAFFIC FINES
 DOUBLED IN
 WORK ZONES**

96" x 60"
 RETROREFLECTIVE WHITE BACKGROUND
 WITH BLACK LEGEND AND BORDER

CONSTRUCTION AREA SIGNS
 NO SCALE
CS-1

LAST REVISION 00-00-00 DATE PLOTTED => 3/14/2016 TIME PLOTTED => 9:59:54 AM

STATE OF CALIFORNIA - DEPARTMENT OF TRANSPORTATION
Caltrans

CONSULTANT FUNCTIONAL SUPERVISOR: JOHN QUINCY
 CHECKED BY: GARRETT MCLAUGHLIN
 DESIGNED BY: BENJAMIN GRIMM
 DATE REVISION: XX/XX/XX
 REVISION: XX/XX/XX
 DATE REVISION: XX/XX/XX

NOTES:

1. THIS PLAN ACCURATE FOR STAGE CONSTRUCTION AND TRAFFIC HANDLING ONLY.
2. STATION AND OFFSETS OF TEMPORARY RAILING (TYPE K) ARE LOCATED AT THE CENTERLINE OF RAILING.

LEGEND:

- DIRECTION OF TRAFFIC
- R/W ACCESS CONTROL
- WORK AREA
- TEMPORARY RAILING (TYPE K)
- CHANNELIZERS (SURFACE MOUNTED)
- CONSTRUCTION AREA SIGN CODE
- TEMPORARY CRASH CUSHION MODULES
- TRAFFIC CONES

ABBREVIATIONS:

TCC (TXXX) TEMPORARY CRASH CUSHION SAND FILLED (ARRAY TYPE)

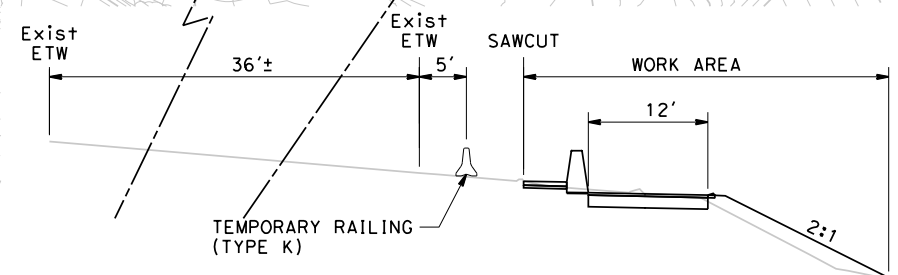
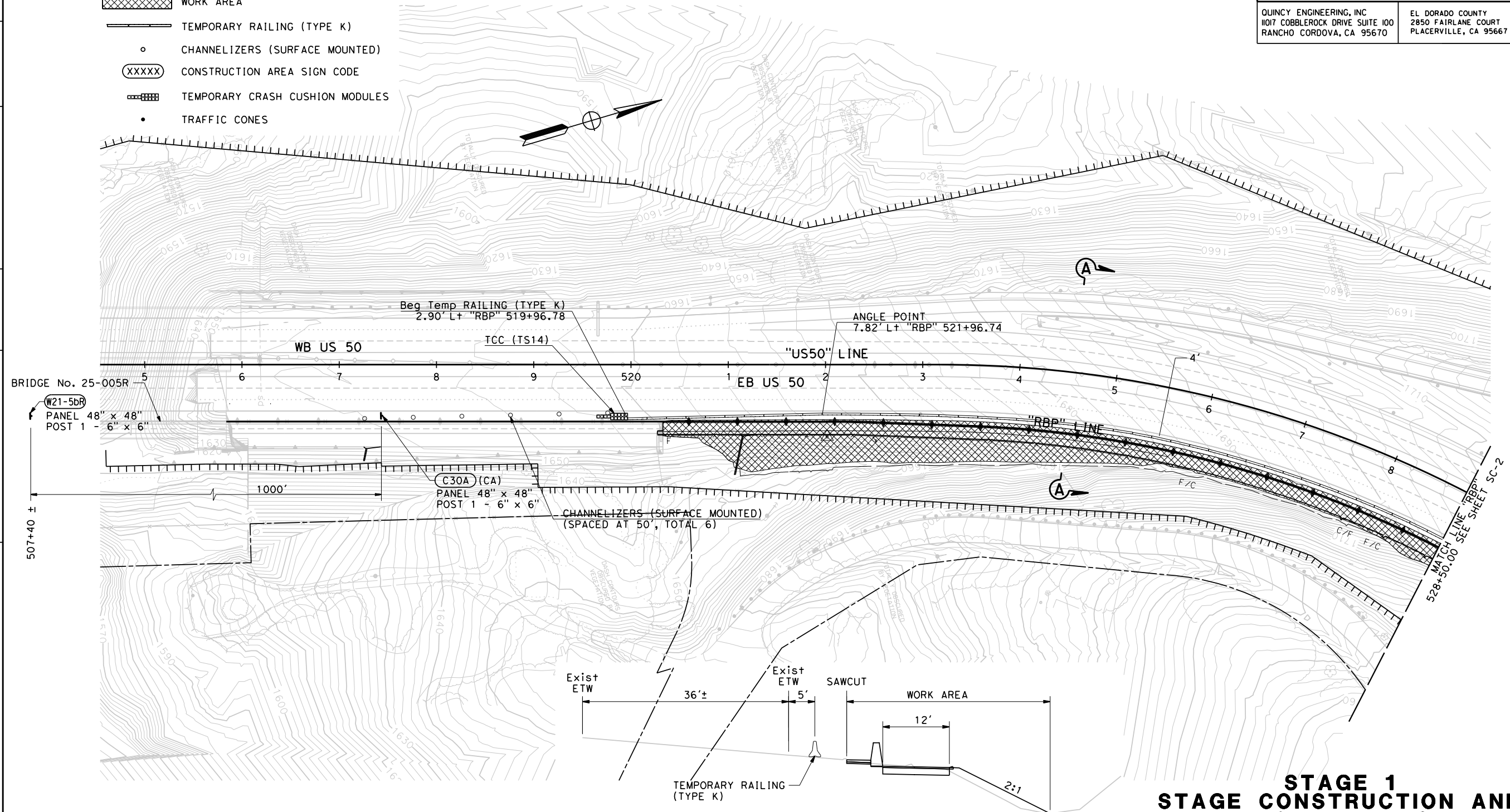
Dist	COUNTY	ROUTE	POST MILES TOTAL PROJECT	SHEET No.	TOTAL SHEETS
03	ED	50	15.5/15.8	17	29

Garrett M. McLaughlin 05/29/15
 REGISTERED CIVIL ENGINEER DATE

May 29, 2015
 PLANS APPROVAL DATE

Garrett McLaughlin
 No. C67687
 Exp. 06/30/17
 CIVIL
 STATE OF CALIFORNIA

QUINCY ENGINEERING, INC. EL DORADO COUNTY
 1017 COBBLEROCK DRIVE SUITE 100 2850 FAIRLANE COURT
 RANCHO CORDOVA, CA 95670 PLACERVILLE, CA 95667



SECTION A-A

**STAGE 1
 STAGE CONSTRUCTION AND
 TRAFFIC HANDLING PLAN**
 SCALE: 1"=50'
SC-1

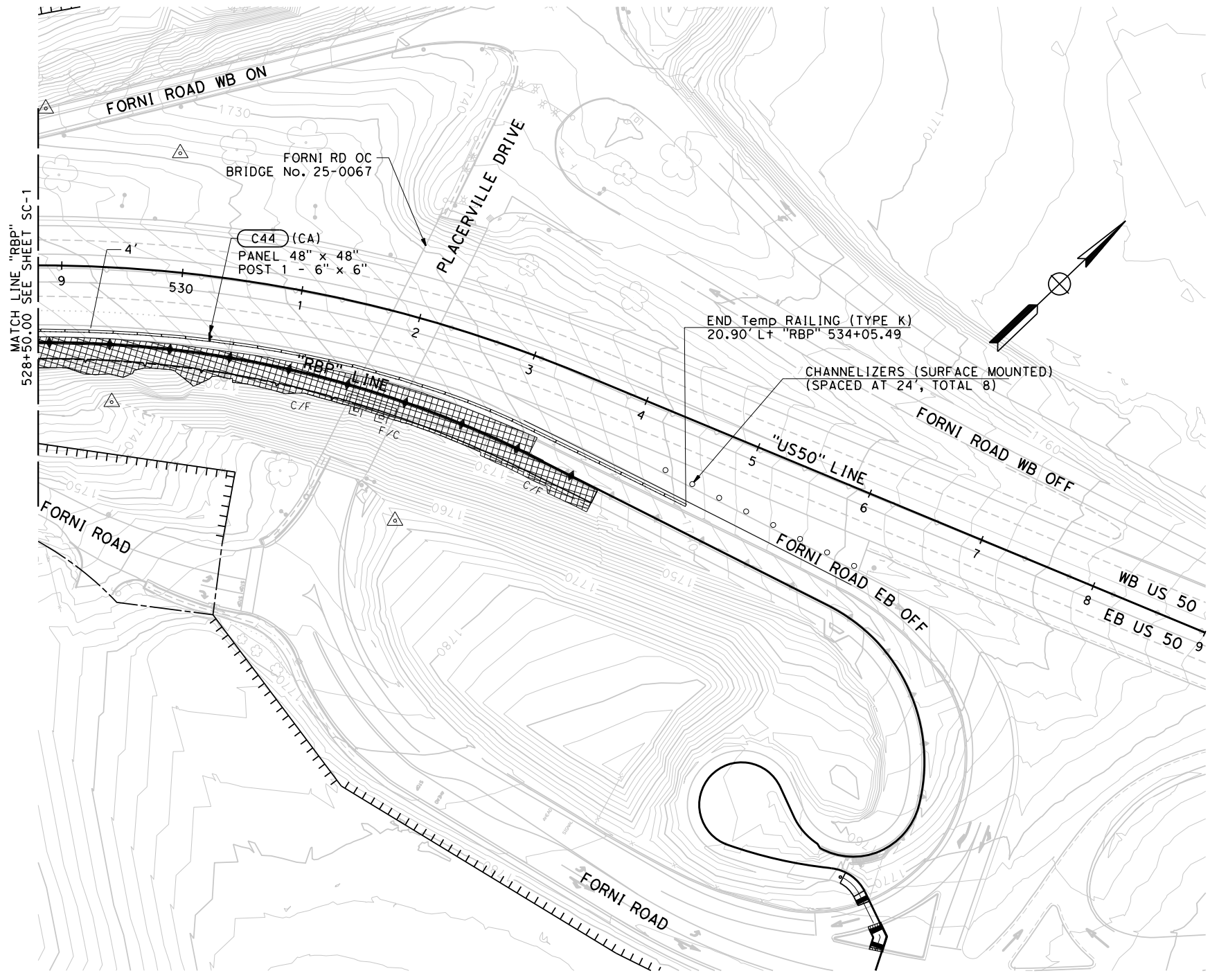
LAST REVISION: 00-00-00 DATE PLOTTED => 3/14/2016 TIME PLOTTED => 9:59:56 AM

XX	XX	XX	XX	XX	XX	XX	XX	XX	XX
XX	XX	XX	XX	XX	XX	XX	XX	XX	XX
XX	XX	XX	XX	XX	XX	XX	XX	XX	XX
REVISOR	DATE	BY	REVISION	BY	DATE	BY	REVISION	BY	DATE
BENJAMIN GRIMM		GARRETT MCLAUGHLIN							
CALCULATED BY	DESIGNED BY	CHECKED BY							
JOHN QUINCY									
CONSULTANT SUPERVISOR									
STATE OF CALIFORNIA - DEPARTMENT OF TRANSPORTATION									
Caltrans									

NOTES:

1. THIS PLAN ACCURATE FOR STAGE CONSTRUCTION AND TRAFFIC HANDLING ONLY.
2. STATION AND OFFSETS OF TEMPORARY RAILING (TYPE K) ARE LOCATED AT THE CENTERLINE OF RAILING.

Dist	COUNTY	ROUTE	POST MILES TOTAL PROJECT	SHEET No.	TOTAL SHEETS
03	ED	50	15.5/15.8	18	29
		Garrett M. McLaughlin 05/29/15			
		REGISTERED CIVIL ENGINEER DATE			
		May 29, 2015			
		PLANS APPROVAL DATE			
<small>THE STATE OF CALIFORNIA OR ITS OFFICERS OR AGENTS SHALL NOT BE RESPONSIBLE FOR THE ACCURACY OR COMPLETENESS OF SCANNED COPIES OF THIS PLAN SHEET.</small>					
QUINCY ENGINEERING, INC 1017 COBBLEROCK DRIVE SUITE 100 RANCHO CORDOVA, CA 95670			EL DORADO COUNTY 2850 FAIRLANE COURT PLACERVILLE, CA 95667		

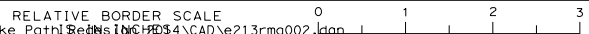


**STAGE 1
STAGE CONSTRUCTION AND
TRAFFIC HANDLING PLAN**

SCALE: 1"=50' **SC-2**

BORDER LAST REVISED 7/2/2010

USERNAME => garrettm
DGN FILE => S:\Client\El Dorado\01-501-01-MOFLAT PS&E Phase 1B\Phase 1B.2_Bike Path\Revisions\CH04\CAD\e213rma002.dgn



LAST REVISION: DATE PLOTTED => 3/14/2016
00-00-00 TIME PLOTTED => 9:59:57 AM

STATE OF CALIFORNIA - DEPARTMENT OF TRANSPORTATION
Caltrans

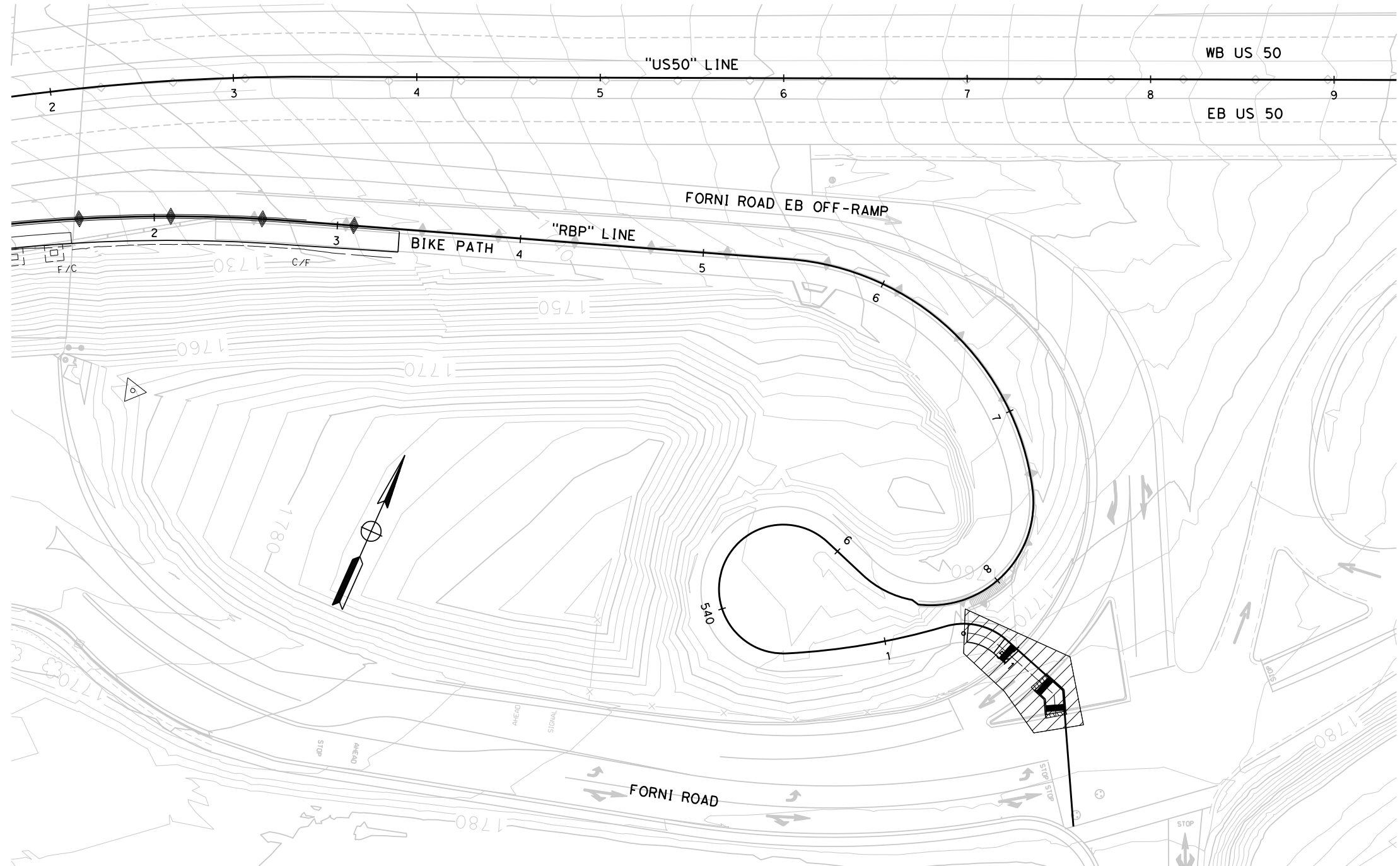
CONSULTANT SUPERVISOR
 JOHN QUINCY

CALCULATED-DESIGNED BY
 CHECKED BY

BENJAMIN GRIMM
 GARRETT MCLAUGHLIN

REVISOR
 DATE REVISION

- NOTES:**
1. THIS PLAN ACCURATE FOR STAGE CONSTRUCTION AND TRAFFIC HANDLING ONLY.
 2. LANE AND RAMP CLOSURES ARE ALLOWED PER THE PROJECT SPECIAL PROVISIONS.
 3. LANE AND RAMP CLOSURES SHALL BE PLACED PER CALTRANS STANDARD PLANS.
 4. FOR DETOUR SEE DETOUR PLAN DE-1.



Dist	COUNTY	ROUTE	POST MILES TOTAL PROJECT	SHEET No.	TOTAL SHEETS
03	ED	50	15.5/15.8	19	29

Garrett M. McLaughlin 05/29/15
 REGISTERED CIVIL ENGINEER DATE

May 29, 2015
 PLANS APPROVAL DATE

Garrett McLaughlin
 No. C67687
 Exp. 06/30/17
 CIVIL
 STATE OF CALIFORNIA

THE STATE OF CALIFORNIA OR ITS OFFICERS OR AGENTS SHALL NOT BE RESPONSIBLE FOR THE ACCURACY OR COMPLETENESS OF SCANNED COPIES OF THIS PLAN SHEET.

QUINCY ENGINEERING, INC
 1017 COBBLEROCK DRIVE SUITE 100
 RANCHO CORDOVA, CA 95670

EL DORADO COUNTY
 2850 FAIRLANE COURT
 PLACERVILLE, CA 95667

— CONSTRUCTION AREA

**STAGE 2
 STAGE CONSTRUCTION**
 SCALE: 1"=30'
SC-3

BORDER LAST REVISED 7/2/2010

USERNAME => garrettm
 DGN FILE => S:\client\El Dorado\01-501-01-MOFLAT PS&E Phase 1B\Phase 1B.2_Bike Path\16-0485 C 19.dgn

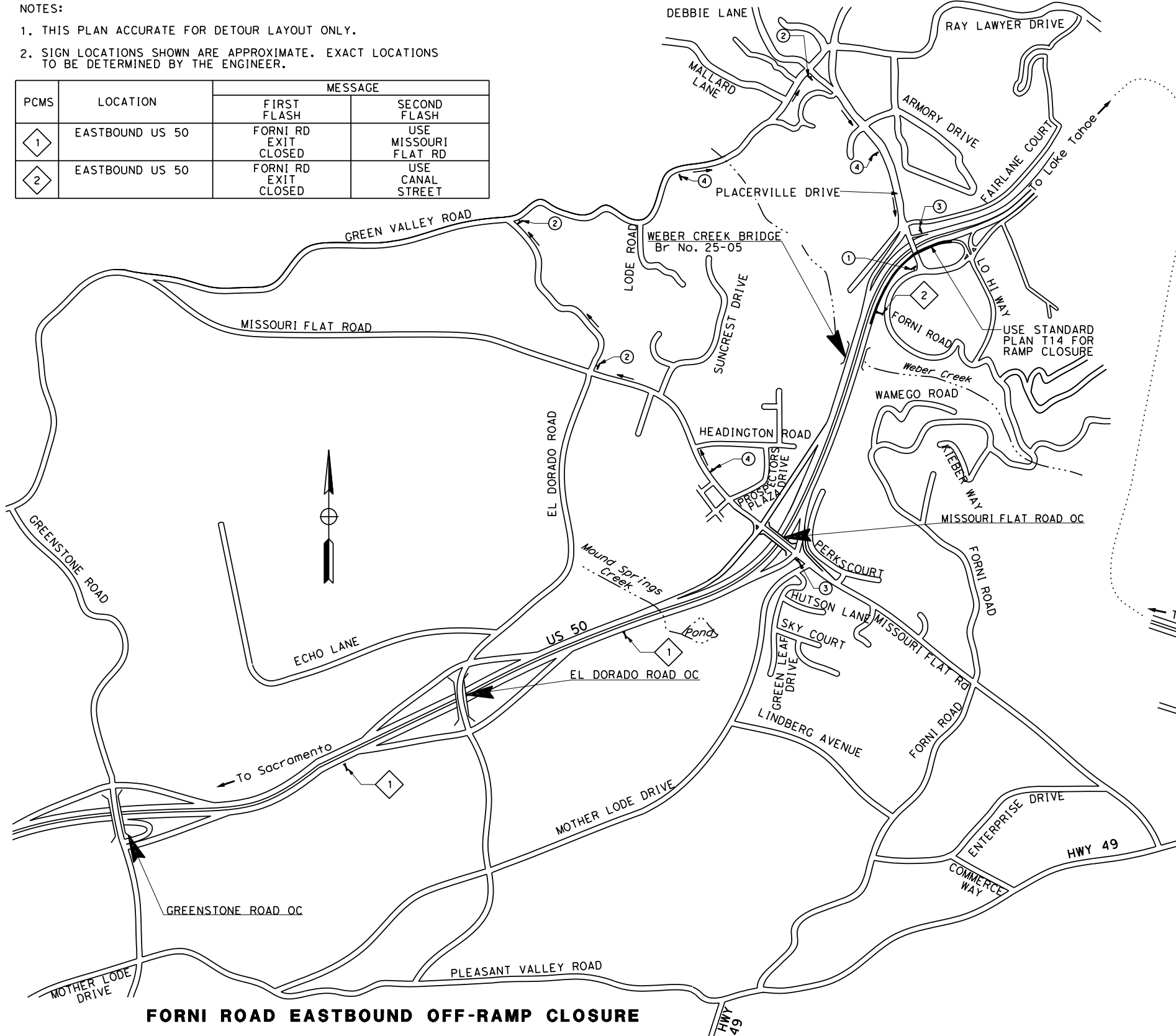
RELATIVE BORDER SCALE
 0 1 2 3

LAST REVISION DATE PLOTTED => 3/14/2016
 00-00-00 TIME PLOTTED => 9:59:58 AM

STATE OF CALIFORNIA - DEPARTMENT OF TRANSPORTATION
Caltrans

NOTES:
 1. THIS PLAN ACCURATE FOR DETOUR LAYOUT ONLY.
 2. SIGN LOCATIONS SHOWN ARE APPROXIMATE. EXACT LOCATIONS TO BE DETERMINED BY THE ENGINEER.

PCMS	LOCATION	MESSAGE	
		FIRST FLASH	SECOND FLASH
1	EASTBOUND US 50	FORNI RD EXIT CLOSED	USE MISSOURI FLAT RD
2	EASTBOUND US 50	FORNI RD EXIT CLOSED	USE CANAL STREET



Dist	COUNTY	ROUTE	POST MILES TOTAL PROJECT	SHEET No.	TOTAL SHEETS
03	ED	50	15.5/15.8	20	29

Garrett M. McLaughlin 05/29/15
 REGISTERED CIVIL ENGINEER DATE

May 29, 2015
 PLANS APPROVAL DATE

Garrett McLaughlin
 No. C67687
 Exp. 06/30/17
 CIVIL
 STATE OF CALIFORNIA

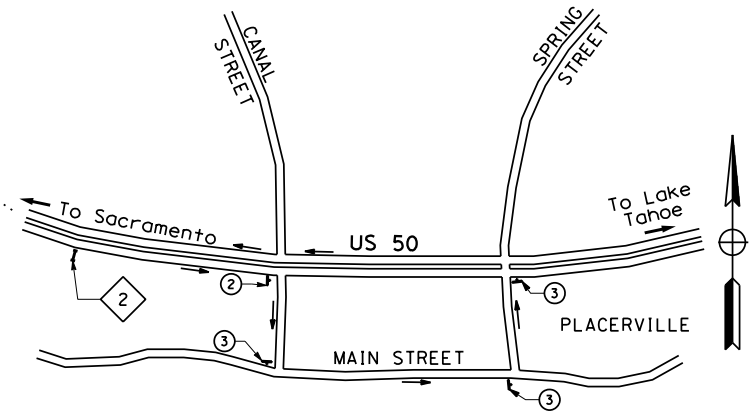
QUINCY ENGINEERING, INC
 1017 COBBLEROCK DRIVE SUITE 100
 RANCHO CORDOVA, CA 95670

EL DORADO COUNTY
 2850 FAIRLANE COURT
 PLACERVILLE, CA 95667

CONSTRUCTION AREA SIGNS (STATIONARY MOUNTED)*

SIGN No.	MUTCD SIGN CODE	SIGN MESSAGE	PANEL SIZE (IN X IN)	No. & SIZE OF POSTS (IN)	No. OF SIGNS
1	M4-8a	END DETOUR	24 x 18	1 - 4 x 4	1
2	M4-8	DETOUR	24 x 12	1 - 4 x 6	4
	M6-1 (R+)	"ARROW RIGHT"	21 x 15		
3	M4-8	DETOUR	24 x 12	1 - 4 x 6	5
	M6-1 (L+)	"ARROW LEFT"	21 x 15		
4	M4-8	DETOUR	24 x 12	1 - 4 x 6	3
	M6-3	"ARROW UP"	21 x 15		
SUBTOTAL					13

* FOR ADDITIONAL CONSTRUCTION AREA SIGNS, SEE CONSTRUCTION AREA SIGNS SHEET AND TRAFFIC HANDLING PLANS.



LEGEND

- DIRECTION OF DETOUR
- 1 CONSTRUCTION AREA SIGN
- ① CONSTRUCTION AREA SIGN No.
- PCMS
- # PCMS No.
- WORK AREA

ABBREVIATIONS

PCMS - PORTABLE CHANGEABLE MESSAGE SIGN

DETOUR PLAN

NO SCALE

DE-1

STATE OF CALIFORNIA - DEPARTMENT OF TRANSPORTATION
Caltrans

CONSULTANT FUNCTIONAL SUPERVISOR: JOHN QUINCY
 CHECKED BY: GARRETT McLAUGHLIN
 DESIGNED BY: BENJAMIN GRIMM
 REVISIONS: XX/XX/XX, XX/XX/XX, XX/XX/XX, XX/XX/XX

NOTES:
 1. THIS PLAN ACCURATE FOR PAVEMENT DELINEATION AND SIGN WORK ONLY.
 2. SIGN LOCATED RIGHT OF BIKE PATH.
 3. CONFIRM SIGN PANEL HEIGHT AND OFFSET, PER CALTRANS Std Pin RS1.

- LEGEND:**
- (No.) PAVEMENT DELINEATION DETAIL NUMBER
 - (BC) BIKE PATH CENTER LINE
 - CHANGE IN STRIPING DETAIL
 - LL LIMIT LINE
 - XW CROSS WALK
 - ◇ DIAMOND (YELLOW STRIPE)
 - S "STOP" (THERMOPLASTIC PAVEMENT MARKING)
 - ↑ ROADSIDE SIGN (ONE POST)
 - ↑↑ ROADSIDE SIGN (TWO POST)
 - (CA) CALIFORNIA SIGN CODE
 - ▲ EXISTING SIGN TO REMAIN
 - REMOVE ROADSIDE SIGN
 - ROADSIDE SIGN (SHEET NUMBER - SIGN NUMBER)
 - TYPE II ARROW (THERMOPLASTIC PAVEMENT MARKING)
 - TYPE III ARROW (THERMOPLASTIC PAVEMENT MARKING)
 - ▬ CONCRETE BARRIER DELINEATOR, 16-INCH (TYPE F)
 - OBJECT MARKER TYPE L-1 (CA)

Dist	COUNTY	ROUTE	POST MILES TOTAL PROJECT	SHEET No.	TOTAL SHEETS
03	ED	50	15.5/15.8	21	29

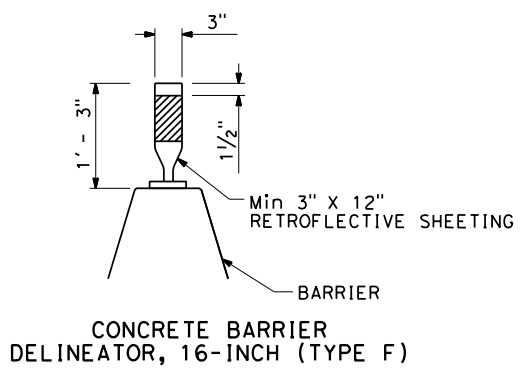
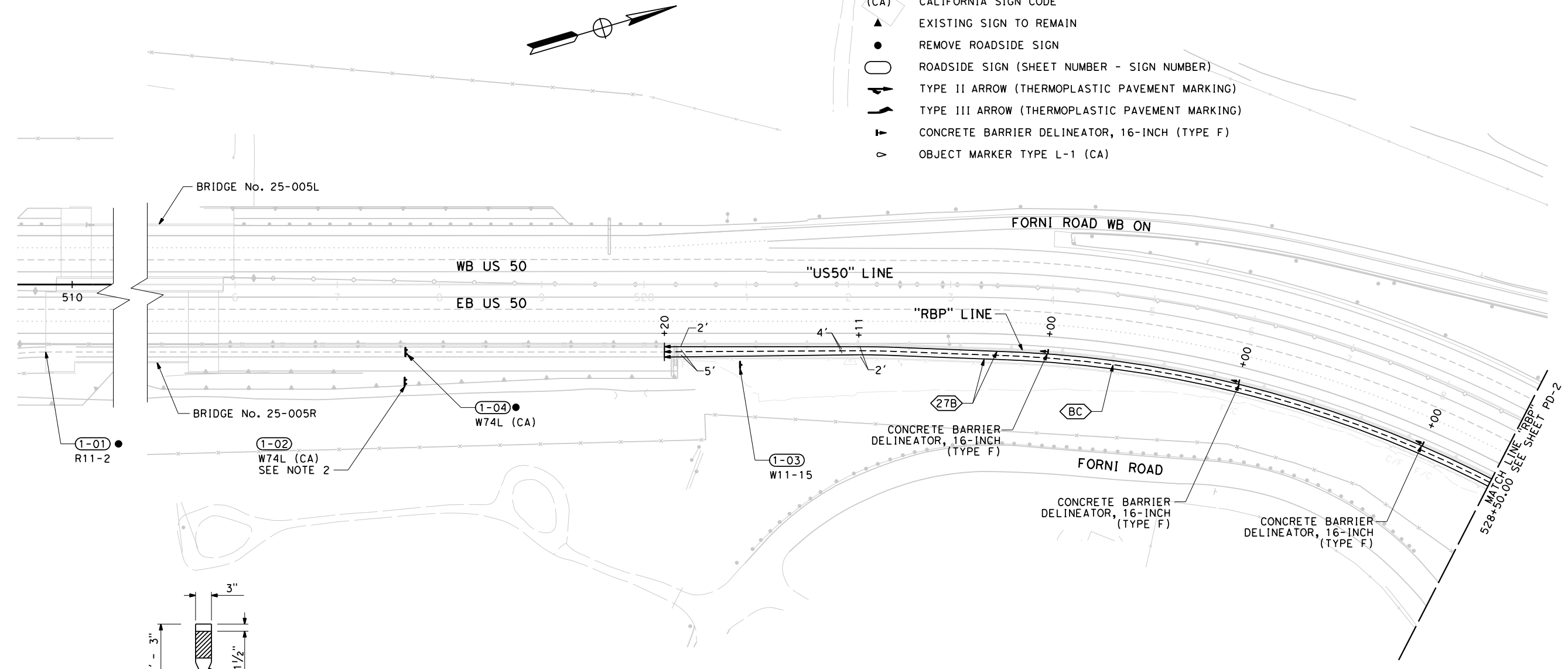
Garrett McLaughlin 05/29/15
 REGISTERED CIVIL ENGINEER DATE

May 29, 2015
 PLANS APPROVAL DATE

Garrett McLaughlin
 No. C67687
 Exp. 06/30/17
 CIVIL
 STATE OF CALIFORNIA

QUINCY ENGINEERING, INC
 1017 COBBLEROCK DRIVE SUITE 100
 RANCHO CORDOVA, CA 95670

EL DORADO COUNTY
 2850 FAIRLANE COURT
 PLACERVILLE, CA 95667

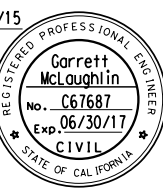


PAVEMENT DELINEATION AND SIGN PLAN
 SCALE: 1"=50'
PD-1

LAST REVISION: 00-00-00 DATE PLOTTED => 3/14/2016 TIME PLOTTED => 10:00:01 AM

Dist	COUNTY	ROUTE	POST MILES TOTAL PROJECT	SHEET No.	TOTAL SHEETS
03	ED	50	15.5/15.8	22	29

Garrett M. McLaughlin 05/29/15
 REGISTERED CIVIL ENGINEER DATE



May 29, 2015
 PLANS APPROVAL DATE

THE STATE OF CALIFORNIA OR ITS OFFICERS OR AGENTS SHALL NOT BE RESPONSIBLE FOR THE ACCURACY OR COMPLETENESS OF SCANNED COPIES OF THIS PLAN SHEET.

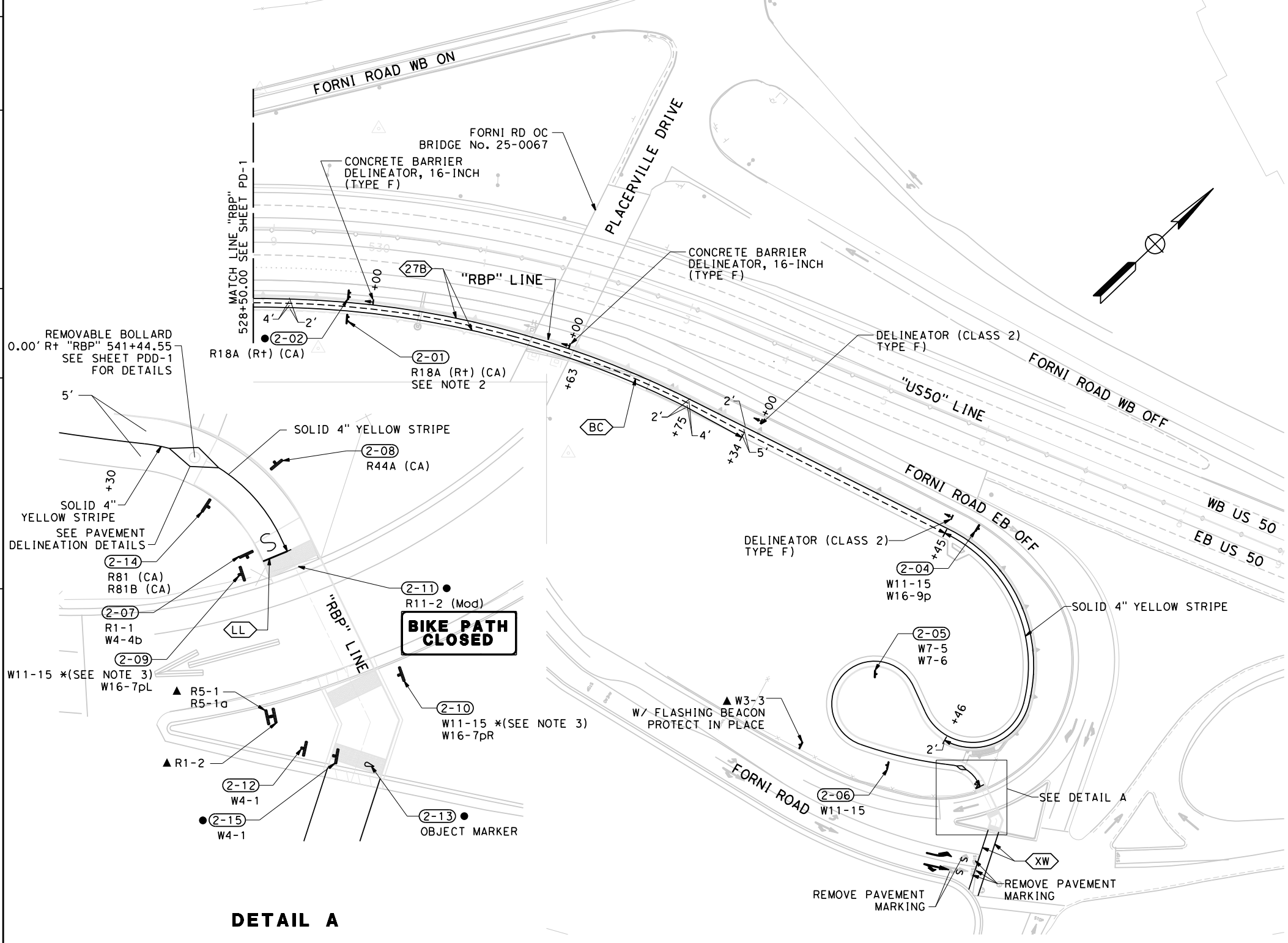
QUINCY ENGINEERING, INC
 1017 COBBLEROCK DRIVE SUITE 100
 RANCHO CORDOVA, CA 95670

EL DORADO COUNTY
 2850 FAIRLANE COURT
 PLACERVILLE, CA 95667

XX	XX	XX	XX	XX	XX
XX/XX/XX	XX/XX/XX	XX/XX/XX	XX/XX/XX	XX/XX/XX	XX/XX/XX

NOTES:

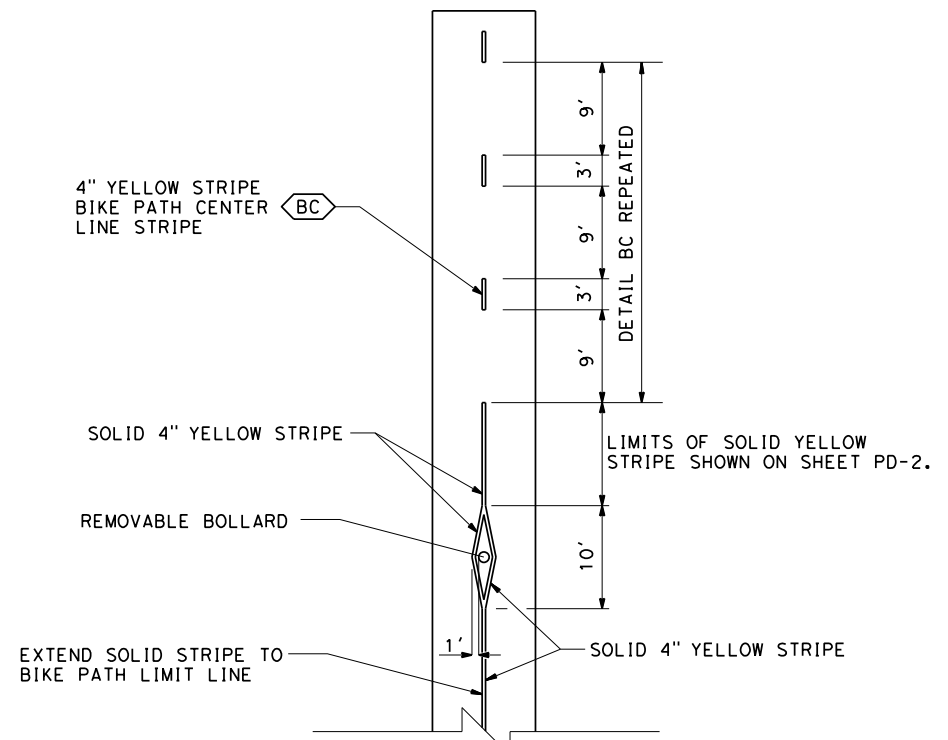
1. THIS PLAN ACCURATE FOR PAVEMENT DELINEATION AND SIGN WORK ONLY.
2. SIGN LOCATED RIGHT OF BIKE PATH.
3. SIGN W11-15 SHALL HAVE SYNCHRONIZED HIGH-INTENSITY LED WARNING LIGHTS INCORPORATED INTO SIGN. SIGNS MUST BE SOLAR POWERED AND ONLY FLASH WHEN ACTIVATED BY PUSH BUTTON. TO BE PAID AS SOLAR POWERED SIGN AND BE BLINKERSIGN, W11-15, BIKE / PED XING, DG3, FYG, SOLAR, AND AMBER LEDS OR SIMILAR AS APPROVED BY RE. POSTS PER STD PLAN ES-7A, DETAIL C.



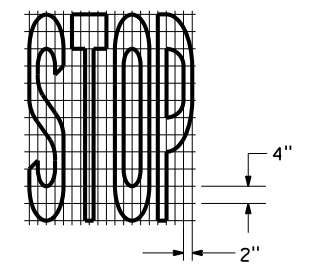
PAVEMENT DELINEATION AND SIGN PLAN
 SCALE: 1"=50'
PD-2

LAST REVISION: DATE PLOTTED => 3/14/2016 TIME PLOTTED => 10:00:02 AM

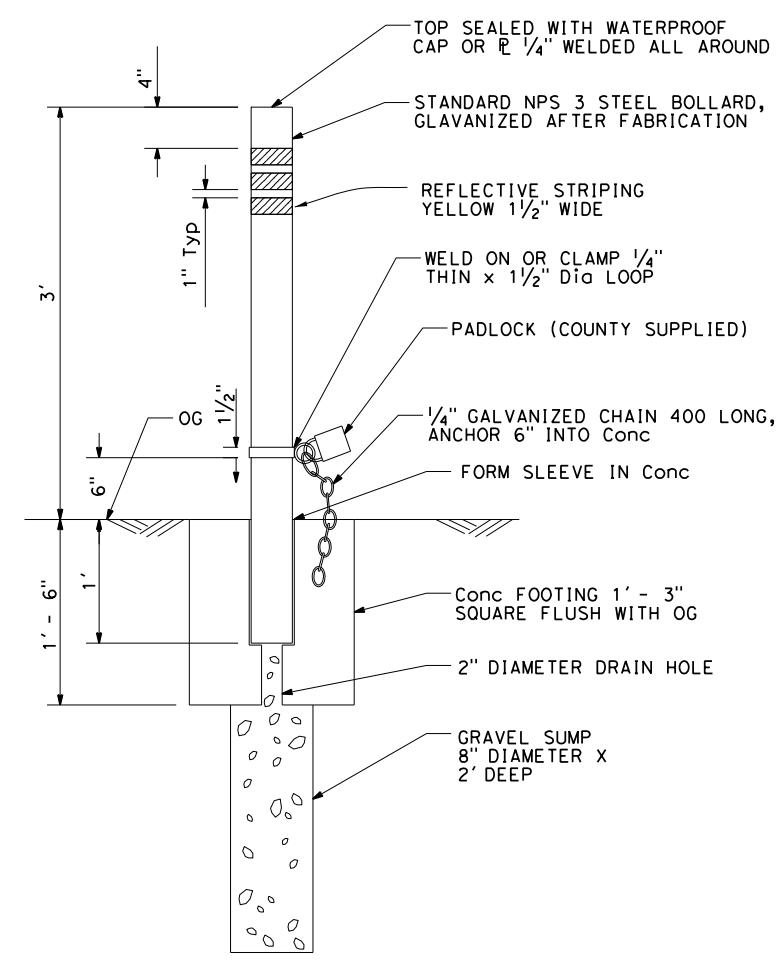
STATE OF CALIFORNIA - DEPARTMENT OF TRANSPORTATION Caltrans	CONSULTANT SUPERVISOR	JOHN QUINCY	CHECKED BY	GARRETT McLAUGHLIN	REVISOR	BENJAMIN GRIMM	DATE	XX/XX/XX
	DESIGNED BY	JOHN QUINCY	CHECKED BY	GARRETT McLAUGHLIN	REVISOR	BENJAMIN GRIMM	DATE	XX/XX/XX
	DESIGNED BY	JOHN QUINCY	CHECKED BY	GARRETT McLAUGHLIN	REVISOR	BENJAMIN GRIMM	DATE	XX/XX/XX
	DESIGNED BY	JOHN QUINCY	CHECKED BY	GARRETT McLAUGHLIN	REVISOR	BENJAMIN GRIMM	DATE	XX/XX/XX



PLAN
BIKE PATH AND BARRIER POST STRIPING



BIKE PATH AND BARRIER POST STRIPING
A = 11 ft²



SECTION
REMOVABLE BOLLARD DETAIL

STA "RBP" 541+44.55
(SEE SHEET PD-2 FOR BOLLARD LOCATION)

Dist	COUNTY	ROUTE	POST MILES TOTAL PROJECT	SHEET No.	TOTAL SHEETS
03	ED	50	15.5/15.8	23	29

Garrett McLaughlin 05/29/15
REGISTERED CIVIL ENGINEER DATE

May 29, 2015
PLANS APPROVAL DATE

Garrett McLaughlin
No. C67687
Exp. 06/30/17
CIVIL
STATE OF CALIFORNIA

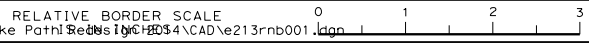
QUINCY ENGINEERING, INC
1017 COBBLEROCK DRIVE SUITE 100
RANCHO CORDOVA, CA 95670

EL DORADO COUNTY
2850 FAIRLANE COURT
PLACERVILLE, CA 95667

**PAVEMENT DELINEATION
DETAILS**
NO SCALE
PDD-1

BORDER LAST REVISED 7/2/2010

USERNAME => garrettm
DGN FILE => S:\Client\El Dorado\E01-501-01-MOFLAT PS&E Phase 1B\Phase 1B.2_Bike Path\Revisions\CHS4\CAD\e213rnb001.dgn



DATE PLOTTED => 3/14/2016
TIME PLOTTED => 10:00:03 AM

STATE OF CALIFORNIA - DEPARTMENT OF TRANSPORTATION
 CONSULTANT SUPERVISOR JOHN QUINCY
 CALCULATED-DESIGNED BY CHECKED BY GARRETT McLAUGHLIN
 BENJAMIN GRIMM
 REVISOR BY DATE REVISOR
 XX XX XX/XX/XX
 XX XX XX/XX/XX
 XX XX XX/XX/XX
 XX XX XX/XX/XX

EARTHWORK SUMMARY

STATION	ROADWAY EXCAVATION	EMBANKMENT (N)	IMPORTED BORROW
	CY		
"RBP" 520+27.50 TO 533+34.55	1399	522	0
"RBP" 541+47.20 TO 541+76.73	3		
"RBP" 541+67.51 TO 542+26.09	5		
TOTAL	1407	522	0

Dist	COUNTY	ROUTE	POST MILES TOTAL PROJECT	SHEET No.	TOTAL SHEETS
03	ED	50	15.5/15.8	24	29
Garrett McLaughlin REGISTERED CIVIL ENGINEER			05/29/15 DATE		
May 29, 2015 PLANS APPROVAL DATE					
THE STATE OF CALIFORNIA OR ITS OFFICERS OR AGENTS SHALL NOT BE RESPONSIBLE FOR THE ACCURACY OR COMPLETENESS OF SCANNED COPIES OF THIS PLAN SHEET.					
QUINCY ENGINEERING, INC 1017 COBBLEROCK DRIVE SUITE 100 RANCHO CORDOVA, CA 95670			EL DORADO COUNTY 2850 FAIRLANE COURT PLACERVILLE, CA 95667		

ROADWAY SUMMARY

SHEET No.	LOCATION	STATION LIMITS	MINOR CONCRETE																				
			CLASS 2 AGGREGATE BASE	HOT MIX ASPHALT (TYPE A)	TACK COAT	PLACE HOT MIX ASPHALT (MISCELLANEOUS AREA)	CONCRETE BARRIER (TYPE 60C Mod)	CONCRETE BARRIER DELINEATOR, 16-INCH (TYPE F)	DELINEATOR (CLASS 2) (TYPE F)	DETECTABLE WARNING SURFACE	REMOVABLE BOLLARD	CHAIN LINK FENCE (TYPE CL-6)	16' CHAIN LINK FENCE GATE (TYPE CL-6)	SALVAGE CHAIN LINK GATE	SALVAGE FENCE	FENCE RAILING	HMA DIKE (TYPE E)	HMA DIKE (TYPE C)	GUTTER	TEXTURED PAVING	CURB RAMP	(TYPE A2-8 Mod)	(TYPE A1-6)
			CY	TON	TON	SOYD	LF	EA	EA	SOFT	EA	LF	EA	EA	LF	LF	LF	LF	CY	CY			
L-1	RBP	520+27.07 TO 520+32.76		1																			
L-1	RBP	520+32.76 TO 522+10.82	103	52	0.02																		
L-1, L-2	RBP	522+10.82 TO 531+12.19	415	428	0.12																		
L-1, L-2	RBP	522+00.00 TO 532+83.56	70																101.0				
C-2	RBP	531+12.19 TO 531+54.12	44	80	0.01																2.6		
L-2	RBP	531+54.12 TO 533+34.55	165	156	0.02																		
C-3	RBP	541+47.20 TO 541+78.43	13	26	0.01																		
C-3	RBP	541+97.51 TO 542+01.16		1		2																	
C-3	RBP	542+22.39 TO 542+26.09		1		2																	
L-1	RBP	520+27.07 TO 525+80.15										550											
L-1	US50	497+80.76 TO 497+84.80													1								
L-1	US50	509+74.17 TO 509+74.17													1								
L-2	RBP	537+94.45 TO 539+94.30													1	318							
L-2	RBP	527+45.00 TO 531+12.19																					
L-1, L-2	RBP	525+80.15 TO 531+12.19																	17				
C-3	RBP	542+01.16 TO 542+22.39																				0.6	
C-3	RBP	542+00.13 TO 542+24.17																				0.4	
L-1, L-2	RBP	520+32.76 TO 533+34.55		31			1,302																
L-1, L-2	US50	524+00.00 TO 532+00.00							5														
L-2	US50	534+00.00 TO 536+00.00								2													
C-3	RBP	541+44.55 TO 541+44.55																					
C-3	RBP	541+98.84 TO 542+22.15	4																				
C-3	RBP	541+73.73 TO 542+22.15								90													
L-1	RBP	520+27.07 TO 525+80.15		4																			
L-1	RBP	517+25.15 TO 517+43.15		0														553					
FROM DRAINAGE				0.2		14												18					
SUBTOTAL			813	781	0.2	19	1,302	5	2	90	1	550	1	3	318	351	18	553	17	101	2	3	1
TOTAL			813	781	0.2	19	1,302	5	2	90	1	550	1	3	318	351	18	553	17	101	2	3	3.6

SUMMARY OF QUANTITIES

NO SCALE **Q-1**

(N) NOT A SEPARATE PAY ITEM, FOR INFORMATION ONLY

LAST REVISION
 DATE PLOTTED => 3/14/2016
 00-00-00 TIME PLOTTED => 10:00:04 AM

STATE OF CALIFORNIA - DEPARTMENT OF TRANSPORTATION
Caltrans
 CONSULTANT FUNCTIONAL SUPERVISOR JOHN QUINCY
 CALCULATED-DESIGNED BY CHECKED BY
 BENJAMIN GRIMM GARRETT McLAUGHLIN
 REVISED BY DATE REVISED
 XX XX XX/XX/XX
 XX XX XX/XX/XX
 XX XX XX/XX/XX

REMOVAL ITEMS

SHEET	LOCATION	REMOVE ASPHALT CONCRETE DIKE	REMOVE CONCRETE BARRIER	REMOVE CONCRETE (CURB & GUTTER)	SALVAGE CONCRETE BARRIER (TYPE K)
		LF	LF		
L-1	"RBP" 517+25.15 TO 517+42.86	18			
L-1	"RBP" 520+27.50 TO 525+55.41	527			
L-1, L-2	"RBP" 520+32.76 TO 532+83.58	1256			
L-2	"RBP" 532+33.63 TO 533+34.55		101		
C-3	"RBP" 541+97.51 TO 541+98.84			11	
C-3	"RBP" 542+26.09 TO 542+24.78			11	
L-2	"RBP" 530+16.24 TO 531+12.19				100
L-2	"RBP" 531+71.47 TO 532+33.63				80
TOTAL		1,802	101	22	180

TRAFFIC HANDLING QUANTITIES

SHEET No.	LOCATION	TEMPORARY RAILING (TYPE K)	TEMPORARY CRASH CUSHION MODULE	CHANNELIZER (SURFACE MOUNTED)
		LF	EA	EA
SC-1	"RBP" 517+25.00 TO 519+96.78			6
SC-1	"RBP" 519+96.78		14	
SC-1, SC-2	"RBP" 519+96.78 TO 534+05.49	1,420		
SC-2	"RBP" 533+75.00 TO 535+43.00			8
TOTAL		1,420	14	14

EROSION CONTROL

SHEET	DESCRIPTION	HYDROSEED	FIBER ROLLS	ROLLED EROSION CONTROL PRODUCT (BLANKET)	TEMPORARY CHECK DAM
		SQFT	LF	SQFT	LF
EC-1	"RBP" 520+32.76 TO 528+50.00	10,010	2,975		
EC-2	"RBP" 528+50.00 TO 533+34.55	1,579	340		
EC-1, EC-2	"RBP" 520+32.76 TO 533+34.55			11,590	
EC-2	"RBP" 521+80.00				12
EC-2	"RBP" 523+20.00				12
EC-2	"RBP" 524+80.00				12
TOTAL		11,589	3,315	11,590	36

DRAINAGE QUANTITIES

DRAINAGE PLAN SHEET	DRAINAGE SYSTEM	DRAINAGE UNIT No.	STATION	OFFSET	Misc IRON AND STEEL	MINOR CONCRETE (MINOR STRUCTURE)	ADJUST INLET TO GRADE	ADJUST PIPE INLET TO GRADE	12" REINFORCED CONCRETE PIPE	12" CORRUGATED STEEL PIPE DOWNDRAIN (.075" THICK)	12" ANCHOR ASSEMBLY	12" ENTRANCE TAPER	PLACE HOT MIX ASPHALT (MISCELLANEOUS AREA) *	HOT MIX ASPHALT (TYPE A) *	REMOVE ROCK LINED DITCH	RSP (No. 1, METHOD B)	RSP FABRIC (CLASS 8)	DESCRIPTION
					LB	CY	EA	EA	LF	EA	EA	SQYD	TON	LF	CY	SQYD		
D-1	1	a	"RBP" 517+28.15	Rt						12	4	1						CSP DOWNDRAIN W/ TEE DISSIPATOR & ANCHORS
D-1	2	a	"RBP" 521+12.56 TO 525+80.00	Rt												138	402	ROCK LINED DITCH
D-1	2	b	"RBP" 521+05.19 TO 531+16.78	Rt											1,003			REMOVE ROCK LINED DITCH
D-1	2	c	"RBP" 521+14.94	Rt					44	6	1							CSP DOWNDRAIN W/ TEE DISSIPATOR & ANCHORS
DD-2	3	a	"RBP" 526+90.16	Lt	326	0.4												CUSTOM DI WITH GRATE TYPE 24-12
DD-2	4	a	"RBP" 529+06.32	Lt	326	0.6												CUSTOM DI WITH GRATE TYPE 24-12
DD-2	4	b	"RBP" 529+06.32	Lt	326		1											ADJUST G2 INLET TO GRADE WITH GRATE TYPE 24-12
DD-2	5	a	"RBP" 530+02.19	Rt	326	1.0												G1 DI GRATE TYPE 24-12
DD-2	5	b							17									12" RCP
DD-2	5	c	"RBP" 529+96.17	Lt	326	1.9												G2 DI GRATE TYPE 24-12
DD-2	6	a	"RBP" 530+60.64	Lt	326	1.0												CUSTOM DI WITH GRATE TYPE 24-12
DD-2	6	b	"RBP" 530+60.64	Lt	326		1											ADJUST G2 INLET TO GRADE WITH GRATE TYPE 24-12
D-2	7	a	"RBP" 531+65.58	Rt			1											ADJUST GCP TO GRADE
DD-2			"RBP" 529+97.29 TO 530+16.36										14	0.2				HMA FOR OVERHEAD SIGN
TOTAL					2,282	5	2	1	17	56	10	2	14	0.2	1,003	138	402	

*FOR TOTAL QUANTITIES, SEE ROAD SUMMARY

SUMMARY OF QUANTITIES

NO SCALE **Q-2**

Dist	COUNTY	ROUTE	POST MILES TOTAL PROJECT	SHEET No.	TOTAL SHEETS
03	ED	50	15.5/15.8	25	29

Garrett McLaughlin 05/29/15
 REGISTERED CIVIL ENGINEER DATE

May 29, 2015
 PLANS APPROVAL DATE

THE STATE OF CALIFORNIA OR ITS OFFICERS OR AGENTS SHALL NOT BE RESPONSIBLE FOR THE ACCURACY OR COMPLETENESS OF SCANNED COPIES OF THIS PLAN SHEET.

QUINCY ENGINEERING, INC
 1017 COBBLEROCK DRIVE SUITE 100
 RANCHO CORDOVA, CA 95670

EL DORADO COUNTY
 2850 FAIRLANE COURT
 PLACERVILLE, CA 95667

STATE OF CALIFORNIA - DEPARTMENT OF TRANSPORTATION
Caltrans

XX XX XX XX XX XX

REVISOR BY DATE

BENJAMIN GRIMM GARRETT McLAUGHLIN

REVISOR BY DATE

BENJAMIN GRIMM GARRETT McLAUGHLIN

REVISOR BY DATE

BENJAMIN GRIMM GARRETT McLAUGHLIN

REVISOR BY DATE

BENJAMIN GRIMM GARRETT McLAUGHLIN

REVISOR BY DATE

BENJAMIN GRIMM GARRETT McLAUGHLIN

REVISOR BY DATE

BENJAMIN GRIMM GARRETT McLAUGHLIN

REVISOR BY DATE

BENJAMIN GRIMM GARRETT McLAUGHLIN

REVISOR BY DATE

BENJAMIN GRIMM GARRETT McLAUGHLIN

REVISOR BY DATE

ROADSIDE SIGNS & MARKERS

SIGN No.	SIGN CODE		SIGN MESSAGE	POST SIZE & LENGTH (N)			ROADSIDE SIGN - ONE POST	ROADSIDE SIGN - TWO POST	REMOVE ROADSIDE SIGN	SOLAR POWERED SIGN *
	FEDERAL	CALIFORNIA		WOOD 4" X 4"	WOOD 4" X 6"	STEEL 2.5" NPS				
				LF	LF	LF				
1-01	R11-2		ROAD CLOSED						1	
1-02		W47L (CA)	THRU TRAFFIC MERGE LEFT		40			1		
1-03	W11-15		(SHARED USE PATH) BIKES / PEDS		18		1			
1-04		W47L (CA)	THRU TRAFFIC MERGE LEFT						1	
2-01		R18A (Rt) (CA)	RIGHT LANE MUST EXIT		36			1		
2-02		R18A (Rt) (CA)	RIGHT LANE MUST EXIT						1	
2-04	W11-15		(SHARED USE PATH) BIKES / PEDS		18		1			
	W16-9P		AHEAD							
2-05	W7-5		BICYCLE HILL		18		1			
	W7-6		HILL BLOCKS VIEW							
2-06	W11-15		(SHARED USE PATH) BIKES / PEDS		18		1			
2-07	R1-1		STOP		16		1			
	W4-4b		ONCOMING TRAFFIC DOES NOT STOP							
2-08		R44A (CA)	BIKE PATH NO MOTOR VEHICLES OR MOTORIZED BICYCLES	12			1			
2-09	W11-15		(SHARED USE PATH) BIKES / PEDS			18				1
	W16-7pL		DIAGONAL DOWNWARD ARROW							
2-10	W11-15		(SHARED USE PATH) BIKES / PEDS			18				1
	W16-7pR		DIAGONAL DOWNWARD ARROW							
2-11	R11-2 (Mod)		BIKE PATH CLOSED						1	
2-12	W4-1		MERGE		15		1			
2-13		OBJECT MARKER TYPE L-1 (CA)							1	
2-14		R81 (CA)	BIKE LANE	12			1			
		R81B (CA)	END							
2-15	W4-1		MERGE						1	
TOTAL							8	2	6	2

(N) NOT A SEPARATE PAY ITEM, FOR INFORMATION ONLY.

NOTES:
 *1. SEE SHEET PD-2 (NOTE 3) FOR SOLAR POWERED SIGN.

Dist	COUNTY	ROUTE	POST MILES TOTAL PROJECT	SHEET No.	TOTAL SHEETS
03	ED	50	15.5/15.8	26	29

Garrett M. McLaughlin 05/29/15
 REGISTERED CIVIL ENGINEER DATE

May 29, 2015
 PLANS APPROVAL DATE

Garrett McLaughlin
 No. C67687
 Exp. 06/30/17
 CIVIL
 STATE OF CALIFORNIA

THE STATE OF CALIFORNIA OR ITS OFFICERS OR AGENTS SHALL NOT BE RESPONSIBLE FOR THE ACCURACY OR COMPLETENESS OF SCANNED COPIES OF THIS PLAN SHEET.

QUINCY ENGINEERING, INC
 1017 COBLEROCK DRIVE SUITE 100
 RANCHO CORDOVA, CA 95670

EL DORADO COUNTY
 2850 FAIRLANE COURT
 PLACERVILLE, CA 95667

SUMMARY OF QUANTITIES
 NO SCALE
Q-3

DATE PLOTTED => 3/14/2016
 TIME PLOTTED => 10:00:09 AM

Dist	COUNTY	ROUTE	POST MILES TOTAL PROJECT	SHEET No.	TOTAL SHEETS
03	ED	50	15.5/15.8	27	29

Garrett M. McLaughlin 05/29/15
 REGISTERED CIVIL ENGINEER DATE

May 29, 2015
 PLANS APPROVAL DATE

Garrett McLaughlin
 No. C67687
 Exp. 06/30/17
 CIVIL ENGINEER
 STATE OF CALIFORNIA

THE STATE OF CALIFORNIA OR ITS OFFICERS OR AGENTS SHALL NOT BE RESPONSIBLE FOR THE ACCURACY OR COMPLETENESS OF SCANNED COPIES OF THIS PLAN SHEET.

QUINCY ENGINEERING, INC
 1107 COBBLEROCK DRIVE SUITE 100
 RANCHO CORDOVA, CA 95670

EL DORADO COUNTY
 2850 FAIRLANE COURT
 PLACERVILLE, CA 95667

SIGN PANEL SUMMARY

No. OF SIGNS	SIGN CODE		PANEL SIZE (L x D)		SIGN AREA SQFT	SINGLE FACED	BACKGROUND		LEGEND		PROTECTIVE OVERLAY PREMIUM	FURNISH SINGLE SHEET ALUMINUM SIGN (0.063" - UNFRAMED) - SQFT
	FEDERAL	CALIFORNIA	INCH x INCH				SHEETING G COLOR	RETROREFLECTIVE ASTM TYPE	SHEETING COLOR	RETROREFLECTIVE ASTM TYPE		
	1		W47L (CA)	48 x 48	16.0	X	YELLOW	XI	BLACK		X	16.0
3	W11-15		36 x 36	9	X	YELLOW	XI	BLACK		X	27.0	
1	W16-9P		30 x 18	3.75	X	YELLOW	XI	BLACK		X	3.8	
1	W7-5		24 x 24	4	X	YELLOW	XI	BLACK		X	4.0	
1	W7-6		24 x 24	4	X	YELLOW	XI	BLACK		X	4.0	
1	R1-1		24 x 24	4	X	RED	XI	WHITE	XI	X	4.0	
1	W4-1		30 x 30	6.25	X	YELLOW	XI	BLACK		X	6.3	
1	W4-4b		24 x 12	2	X	YELLOW	XI	BLACK		X	2.0	
1		R44A (CA)	12 x 24	2	X	WHITE	VIII	BLACK		X	2.0	
1		R18A (Rt) (CA)	48 x 66	22	X	WHITE	VIII	BLACK		X	22.0	
1	W16-7pL		30 x 18	3.75	X	YELLOW	XI	BLACK		X	3.8	
1	W16-7pR		30 x 18	3.75	X	YELLOW	XI	BLACK		X	3.8	
1		R81 (CA)	12 x 8	0.67	X	WHITE	VIII	BLACK		X	0.7	
1		R81B (CA)	12 x 5	0.41	X	WHITE	VIII	BLACK		X	0.4	
TOTAL											99.6	

PAVEMENT DELINATION QUANTITIES

SHEET No.	FROM			TO			DETAIL No.	THERMOPLASTIC TRAFFIC STRIPE		REMOVE THERMOPLASTIC PAVEMENT MARKING	THERMOPLASTIC PAVEMENT MARKING		
	LINE	STATION	L/Rt	LINE	STATION	L/Rt		4"	4" (BROKEN 9-3)		SQFT	SQFT	DESCRIPTION
								LF	LF				
PD-1	RBP	520+20	Rt	RBP	528+50	Rt	27B	830					
PD-1	RBP	520+20	Rt	RBP	528+50	Rt	BC		827				
PD-1	RBP	520+20	Rt	RBP	528+50	Rt	27B	830					
PD-2	RBP	528+50	Rt	RBP	533+34	Rt	27B	484					
PD-2	RBP	528+50	Rt	RBP	541+74	Rt	BC	628	692				
PD-2	RBP	528+50	Rt	RBP	538+46	Rt	27B	996					
PD-2	RBP	541+74	Rt	RBP	541+74	Lt	LL				10		
PD-2	RBP	541+40	Rt	RBP	541+50	Rt				8		BOLLARD STRIPING	
PD-2	RBP	542+23	Rt	RBP	542+89	Rt	XW			36	63	CROSSWALK	
PD-2	RBP	542+24	Rt	RBP	542+83	Rt	XW				59	CROSSWALK	
PD-2	RBP	542+57	Lt								22	"STOP"	
PD-2	RBP	542+70	Lt								22	"STOP"	
PD-2	RBP	542+61	Rt								42	TYPE III ARROW	
PD-2	RBP	542+72	Rt								45	TYPE II ARROW	
PD-2	RBP	541+72	Rt								11	BIKE PATH "STOP"	
PD-2	RBP	542+57	Lt						22			"STOP" BIKE PATH	
PD-2	RBP	542+70	Lt						22			"STOP" BIKE PATH	
PD-2	RBP	542+61	Lt						15			TYPE IV ARROW	
PD-2	RBP	542+72	Lt						45			TYPE II ARROW	
TOTAL								3768	1519	140	282		

SUMMARY OF QUANTITIES
 NO SCALE
Q-4

STATE OF CALIFORNIA - DEPARTMENT OF TRANSPORTATION
 Caltrans

BENJAMIN GRIMM
 GARRETT McLAUGHLIN

REVISER BY DATE REVISED

CONSULTANT SUPERVISOR
 JOHN QUINCY

CALCULATED - DESIGNED BY
 CHECKED BY

BORDER LAST REVISED 7/2/2010

USERNAME => garrettm
 DGN FILE => S:\Client\El Dorado\01-501-01-MOFLAT PS&E Phase 1B\Phase 1B.2_Bike Path\Sigsbee\1104\CAD\1213rpa004.dgn

RELATIVE BORDER SCALE

DATE PLOTTED => 3/14/2016
 TIME PLOTTED => 10:00:11 AM

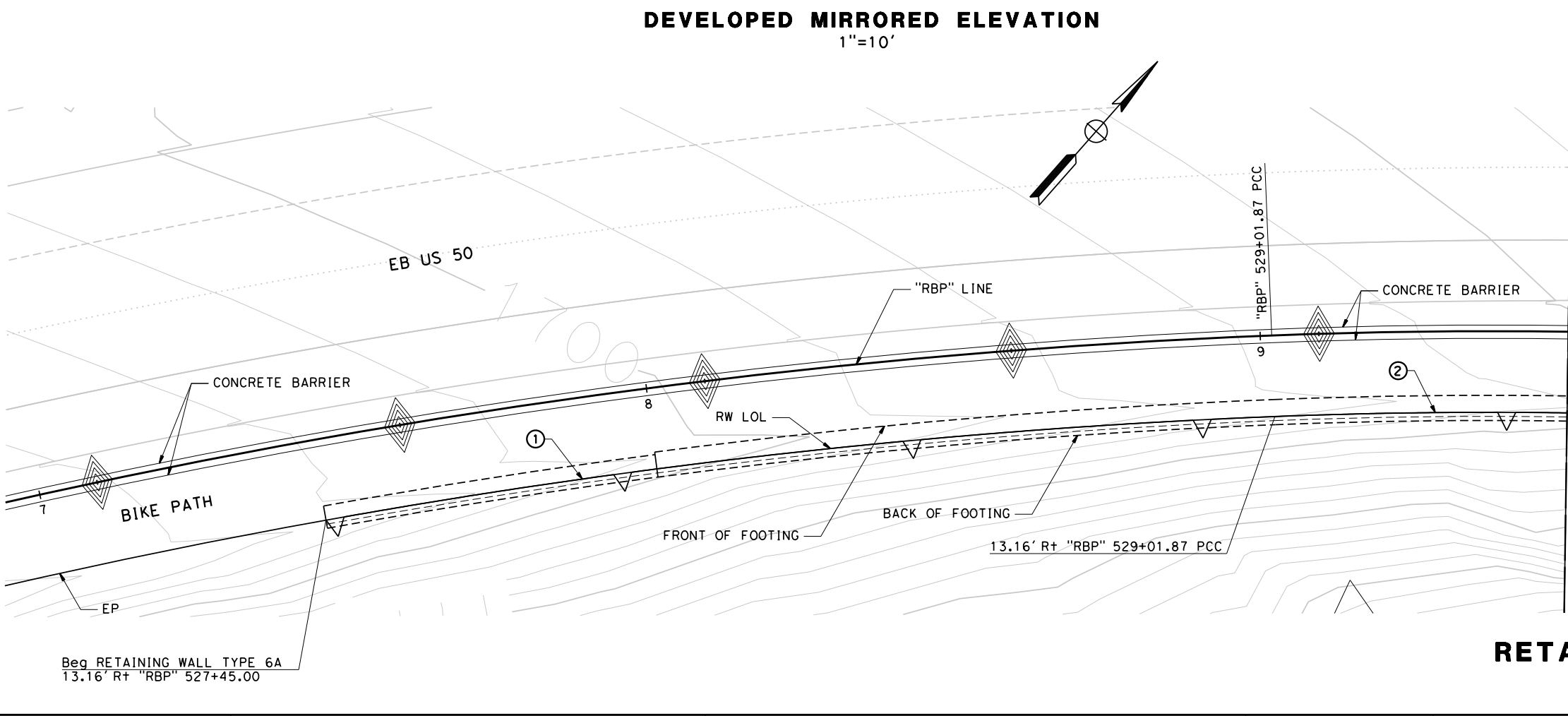
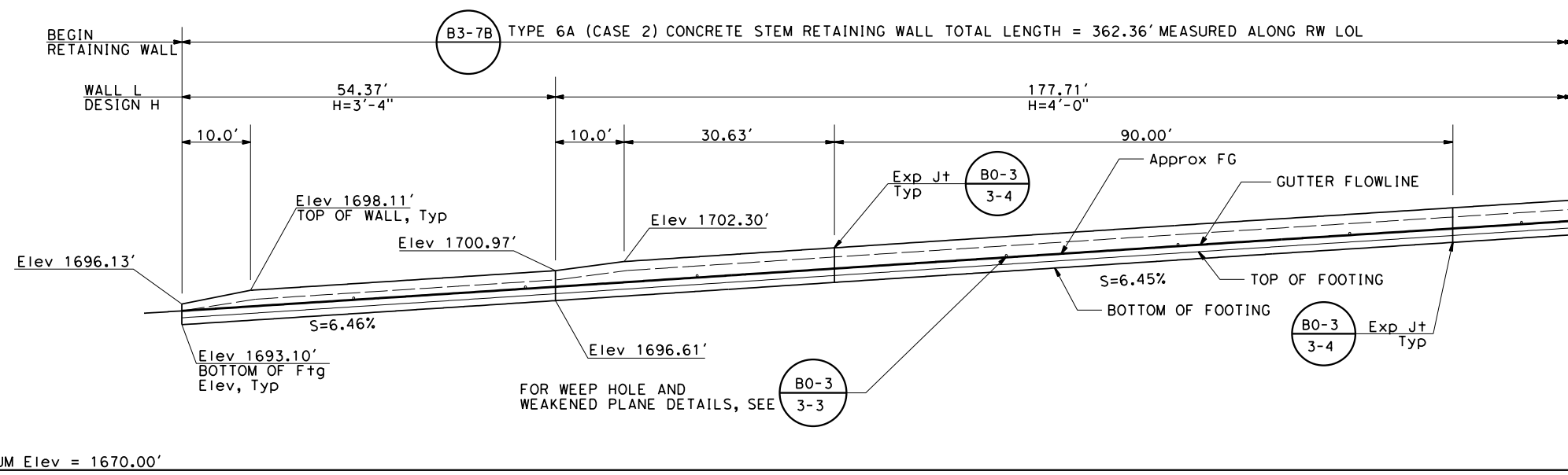
XX XX XX XX XX
 REVISOR: BENJAMIN GRIMM, GARRETT MCLAUGHLIN
 DATE: 05/29/15
 CONSULTANT SUPERVISOR: JOHN QUINCY
 DEPARTMENT OF TRANSPORTATION: CALTRANS

NOTES:
 1. THIS PLAN ACCURATE FOR RETAINING WALL WORK ONLY.
 2. FOOTING TO BE POURED NEAT AGAINST CLEAN ROCK EXCAVATION. ROCK SHOULD HAVE ROUGH SURFACE.

CURVE DATA				
No.	R	Δ	T	L
1	1121.44'	7° 55' 17"	77.65'	155.04'
2	876.84'	13° 32' 24"	104.09'	207.21'

Dist	COUNTY	ROUTE	POST MILES TOTAL PROJECT	SHEET No.	TOTAL SHEETS
03	ED	50	15.5/15.8	28	29

Garrett M. McLaughlin 05/29/15
 REGISTERED CIVIL ENGINEER DATE
 May 29, 2015
 PLANS APPROVAL DATE
 QUINCY ENGINEERING, INC
 1017 COBBLEROCK DRIVE SUITE 100
 RANCHO CORDOVA, CA 95670
 EL DORADO COUNTY
 2850 FAIRLANE COURT
 PLACERVILLE, CA 95667



STATE OF CALIFORNIA - DEPARTMENT OF TRANSPORTATION
Caltrans

CONSULTANT SUPERVISOR: JOHN QUINCY

REVISOR: BENJAMIN GRIMM
 DATE: 05/29/15

DESIGNER: GARRETT MCLAUGHLIN

CHECKED BY: [Blank]

DATE REVISION: 05/29/15

DATE REVISION: 05/29/15

DATE REVISION: 05/29/15

NOTES:
 1. THIS PLAN ACCURATE FOR RETAINING WALL WORK ONLY.
 2. FOOTING TO BE POURED NEAT AGAINST CLEAN ROCK EXCAVATION. ROCK SHOULD HAVE ROUGH SURFACE.

CURVE DATA				
No.	R	Δ	T	L
2	876.84'	13° 32' 24"	104.09'	207.21'

Dist	COUNTY	ROUTE	POST MILES TOTAL PROJECT	SHEET No.	TOTAL SHEETS
03	ED	50	15.5/15.8	29	29

Garrett M. McLaughlin 05/29/15
 REGISTERED CIVIL ENGINEER DATE

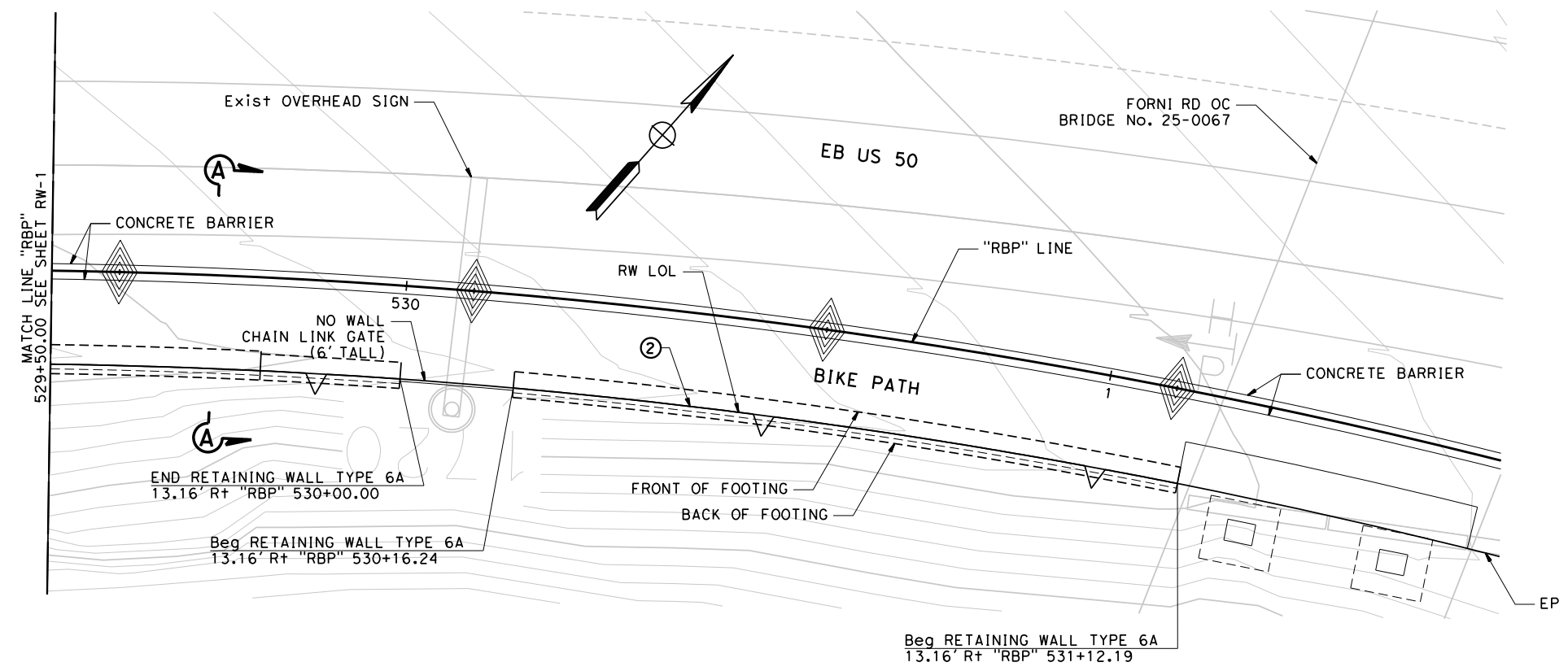
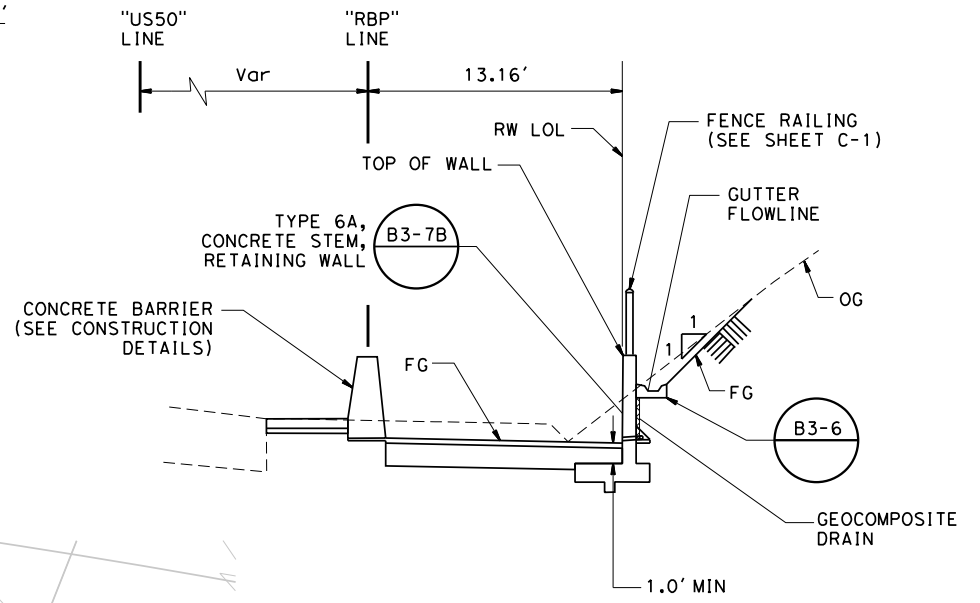
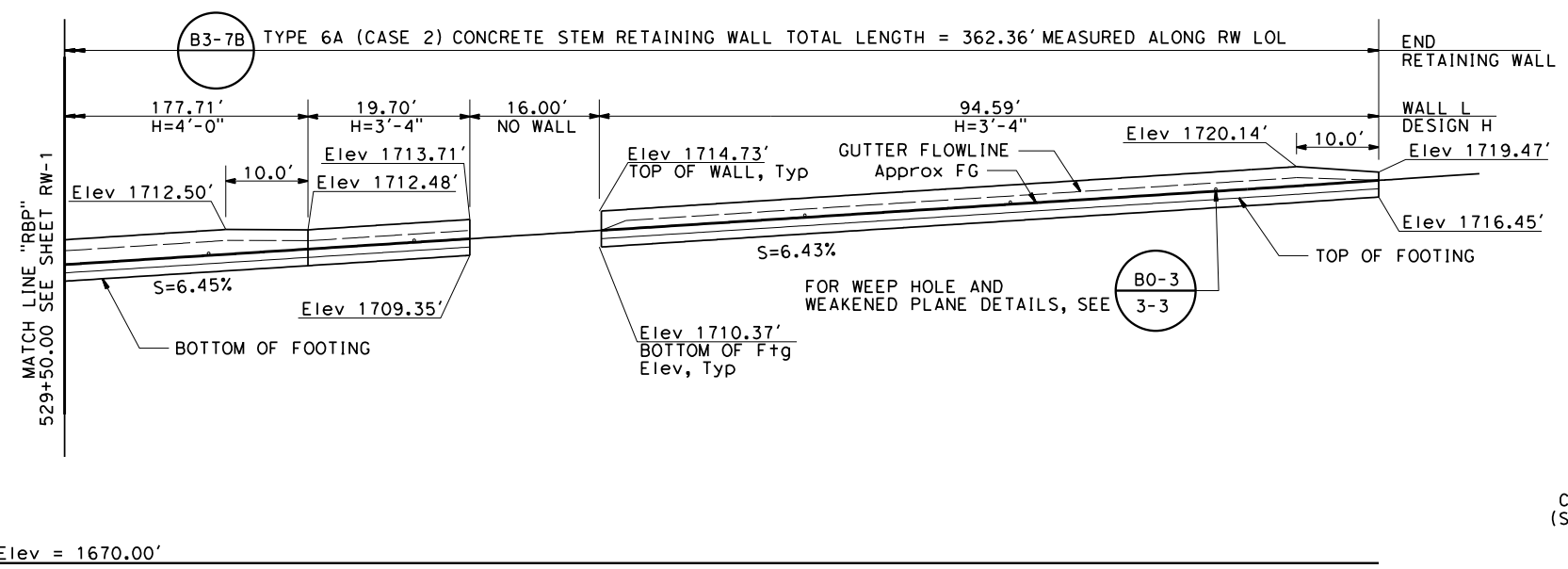
May 29, 2015
 PLANS APPROVAL DATE

Garrett McLaughlin
 No. C67687
 Exp. 06/30/17
 CIVIL
 STATE OF CALIFORNIA

THE STATE OF CALIFORNIA OR ITS OFFICERS OR AGENTS SHALL NOT BE RESPONSIBLE FOR THE ACCURACY OR COMPLETENESS OF SCANNED COPIES OF THIS PLAN SHEET.

QUINCY ENGINEERING, INC
 1017 COBBLEROCK DRIVE SUITE 100
 RANCHO CORDOVA, CA 95670

EL DORADO COUNTY
 2850 FAIRLANE COURT
 PLACERVILLE, CA 95667



RETAINING WALL PLAN
 SCALE: 1"=10'
RW-2