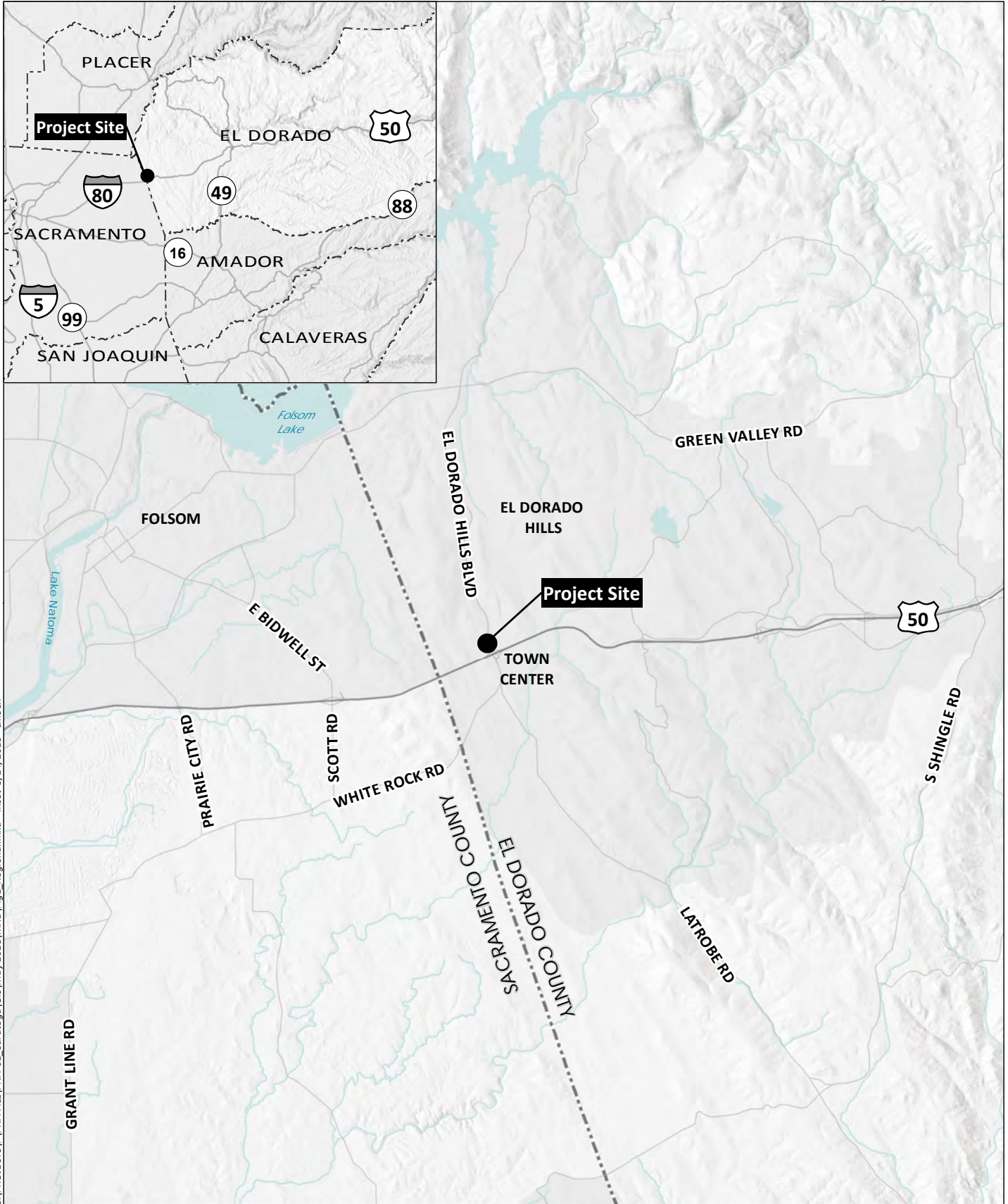




Attachment 1

Figures



S:\PROJECTS\IPNA-ALL\IPNA-01_Saratoga\GIS\May 2018\MXD\Fig1_Regional.mxd Inset 5/14/2018 - chloeh



Source: Base Map Layers (USGS, NGA, NASA)



S:\PROJECTS\IPNA-ALL\IPNA-01_Saratoga\GIS\May 2018\MXD\Fig2_Aerial.mxd PNA-01_5/14/2018 - chloeh

Source: Base Map Layers (Esri)

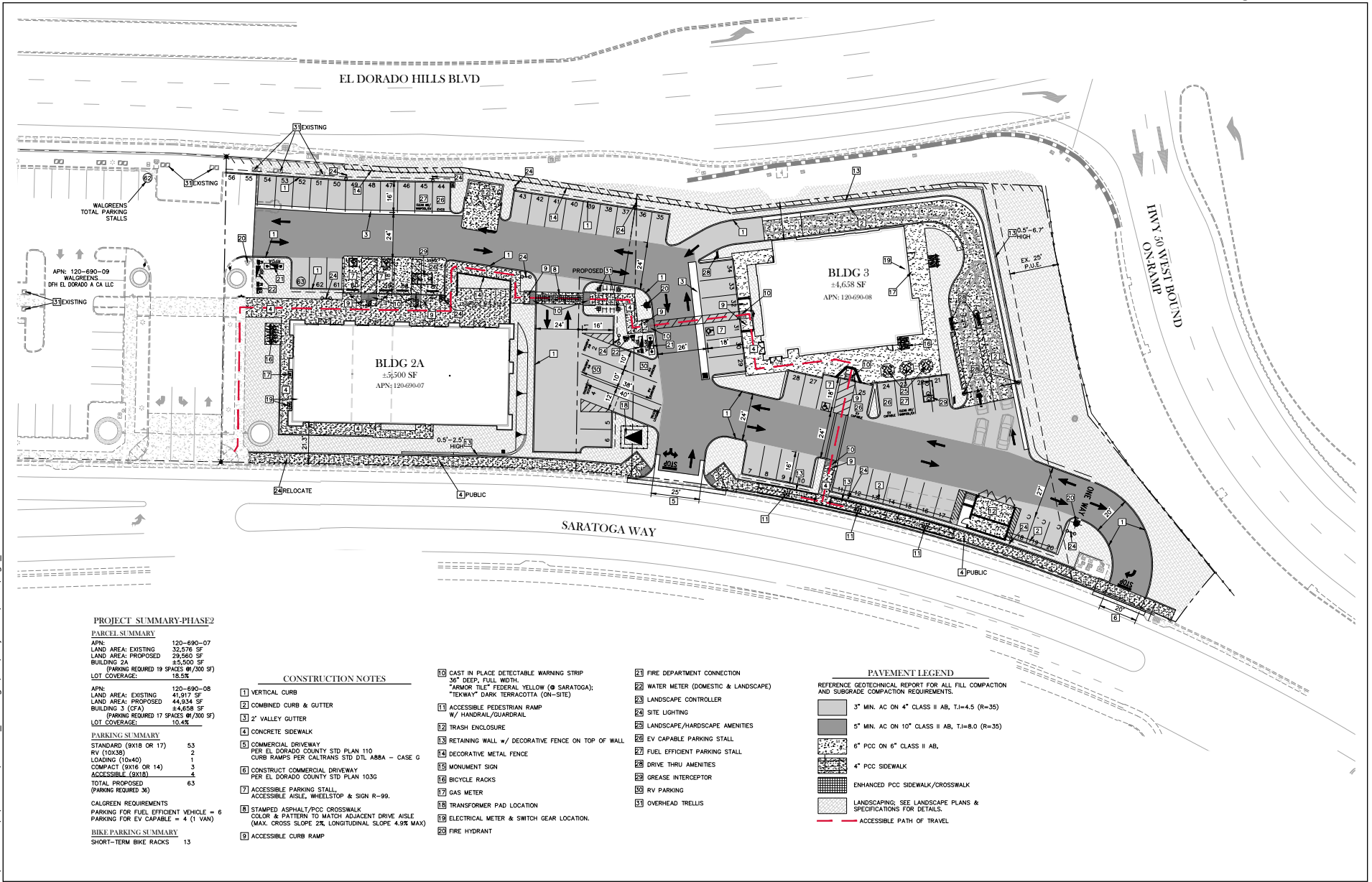
Project Boundary

0 150 Feet



Aerial Map

Figure 2



S:\PROJECTS\IP\PA-ALL\IPNA-01_Saratoga\GIS\May 2018\MXD\Fig3_SitePlan

Source: TSD Engineering, Inc. 2018

PRELIMINARY GRADING PLAN - DESIGN REVIEW
SARATOGA RETAIL - PHASE 2

EL DORADO HILLS, EL DORADO COUNTY

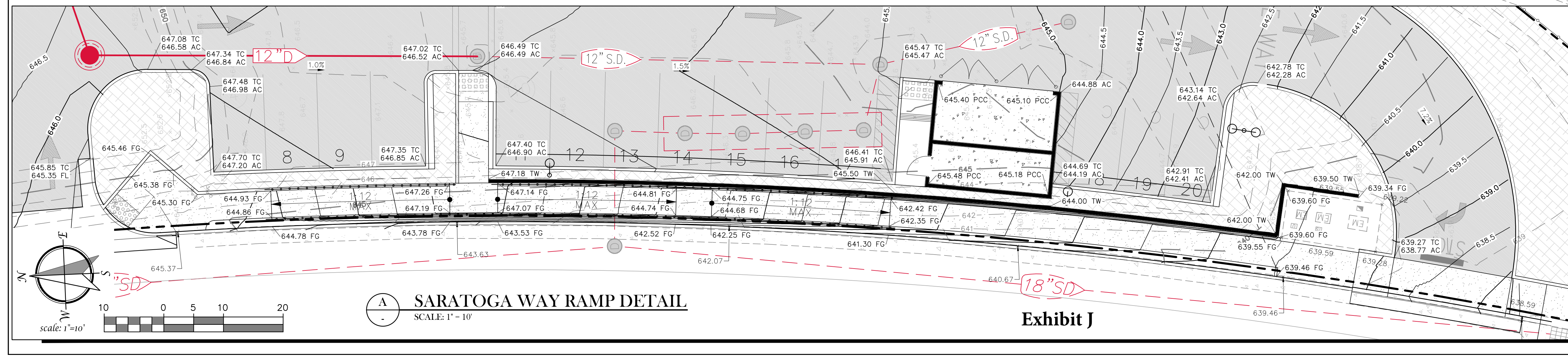
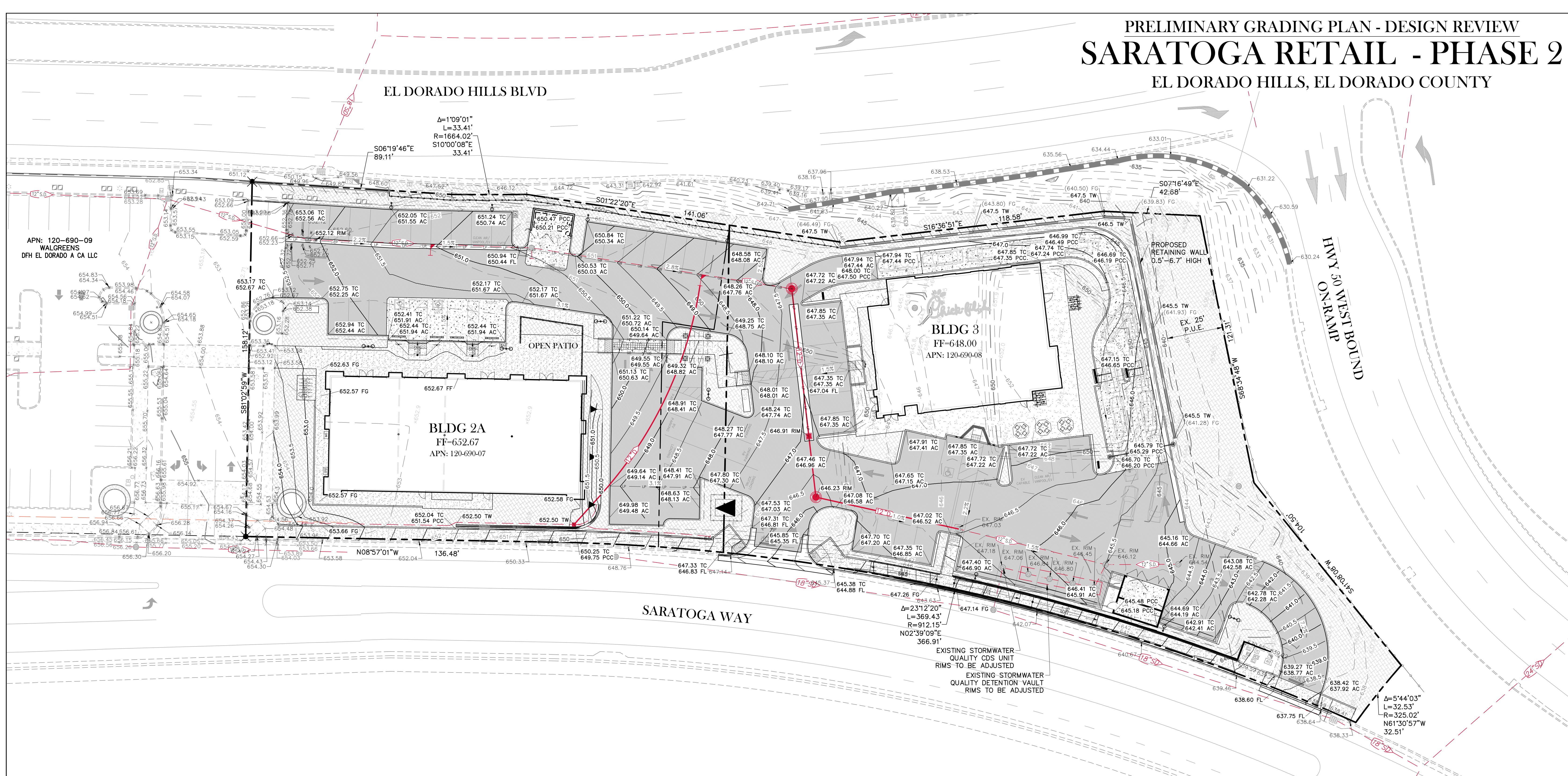
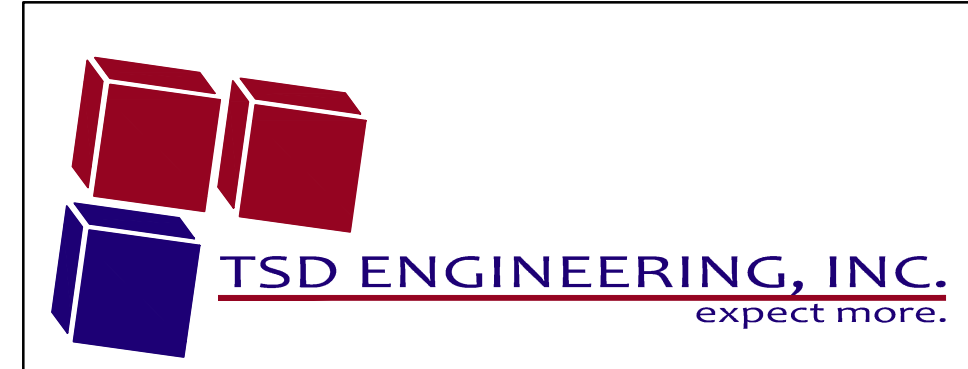


Exhibit J

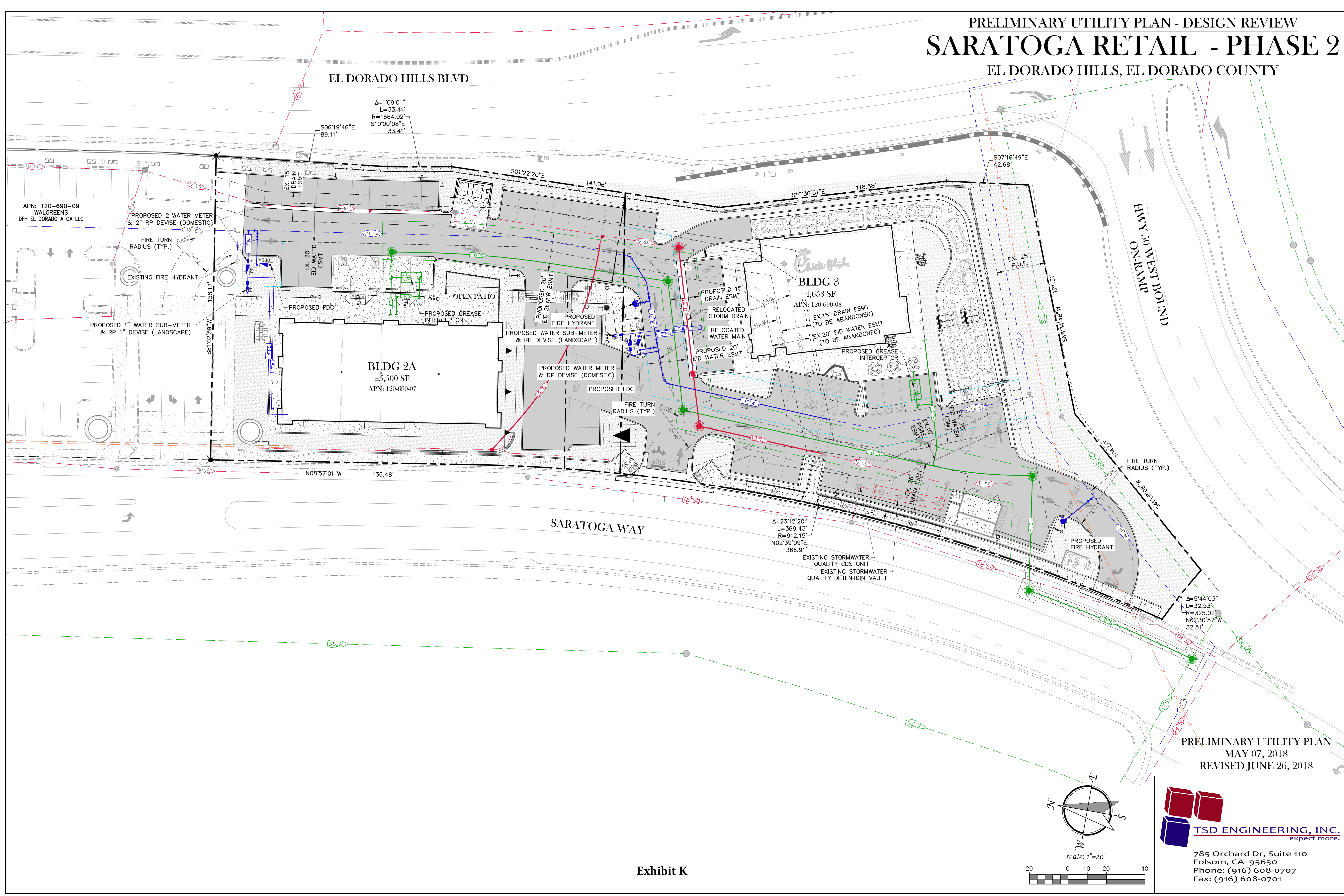
PRELIMINARY GRADING PLAN
 MAY 07, 2018
 REVISED JUNE 26, 2018



785 Orchard Dr, Suite 110
 Folsom, CA 95630
 Phone: (916) 608-0707
 Fax: (916) 608-0701

PRELIMINARY UTILITY PLAN - DESIGN REVIEW
SARATOGA RETAIL - PHASE 2

EL DORADO HILLS, EL DORADO COUNTY

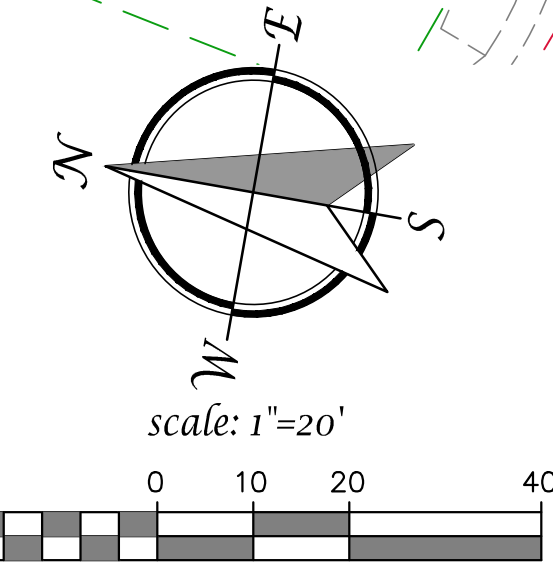


APN: 120-690-09
 WALGREENS
 DFH EL DORADO A CA LLC

BLDG 2A
 ±5,500 SF
 APN: 120-690-07

BLDG 3
 ±4,658 SF
 APN: 120-690-08

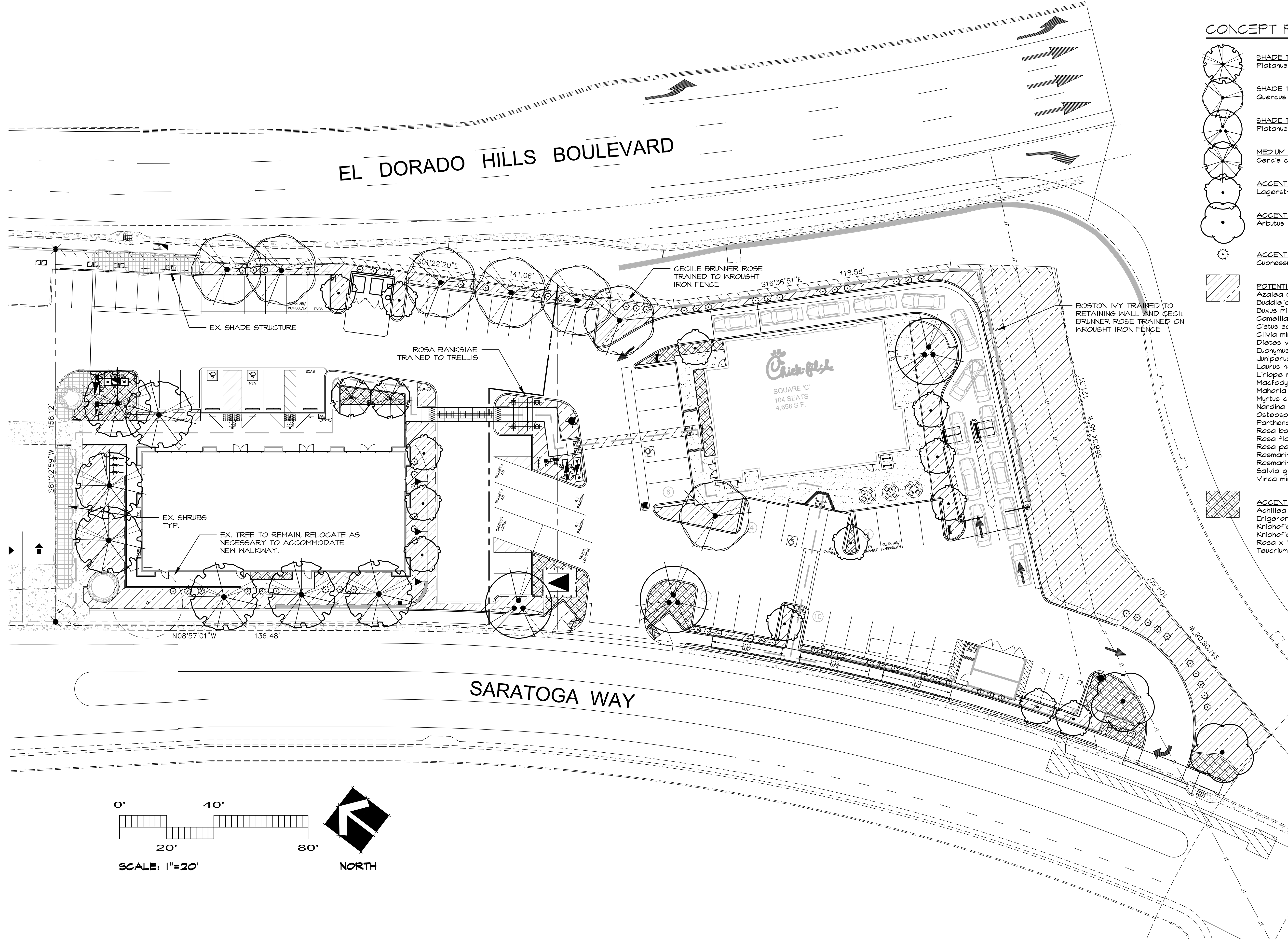
PRELIMINARY UTILITY PLAN
 MAY 07, 2018
 REVISED JUNE 26, 2018



TSD ENGINEERING, INC.
 expect more.

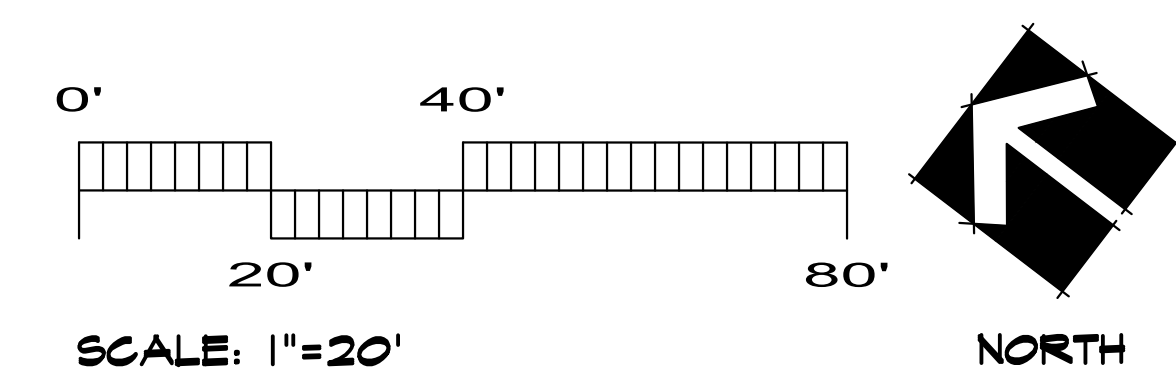
785 Orchard Dr, Suite 110
 Folsom, CA 95630
 Phone: (916) 608-0707
 Fax: (916) 608-0701

Exhibit K



CONCEPT PLANT SCHEDULE

	SHADE TREE 1 Platanus acerifolia 'Yarwood' / London Plane Tree	24'box
	SHADE TREE 2 Quercus lobata / Valley Oak	15 gal
	SHADE TREE 3 Platanus racemosa / California Sycamore Multi-Trunk	24'box
	MEDIUM SHADE TREE Cercis canadensis / Eastern Redbud	15 gal
	ACCENT TREE Lagerstroemia x 'Natchez' / White Grape Myrtle	24'box
	ACCENT TREE 2 Arbutus x 'Marina' / Arbutus Multi-Trunk	24'box
	ACCENT SHRUB Cupressus sempervirens 'Tiny Tower' TM / Tiny Tower Italian Cypress	15 gal
	POTENTIAL SHRUBS Azalea Glenn Dale Hybrid 'Glacier' / Glen Dale Azalea Buddleja davidii nanhoensis 'Petite Plum' TM / Petite Plum Butterfly Bush Buxus microphylla japonica 'Green Beauty' / Green Beauty Boxwood Camellia japonica 'Kramer's Supreme' TM / Kramer's Supreme Camellia Cistus salvifolius 'Frostratus' / Sageleaf Rockrose Clivia miniata / Kaffir Lilly Dietes vegeta / African Iris Eucalyptus fortunei 'Emerald Galety' TM / Emerald Galety Eucalyptus Juniperus chinensis 'Robusta Green' / Robust Green Juniper Larix nobilis / Sweet Bay Liriodendron muscari 'Silver Sunproof' / Silvery Sunproof Blue Lilyturf Macfadajena unguis-cati / Yellow Trumpet Vine Mahonia eurybracteata 'Soft Caress' / Mahonia Soft Caress Myrtus communis 'Microphylla' / Myrtle Nandina domestica 'Lemon Lime' / Lemon Lime Nandina Osteospermum fruticosum 'Power Purple' / African Daisy Parthenocissus tricuspidata / Boston Ivy Rosa banksiae 'Alba Plena' / Lady Bank's Rose Rosa floribunda 'Iceberg' / Iceberg Rose Rosa polyantha 'Cecile Brunner' / Cecile Brunner Rose Rosmarinus officinalis 'Collingwood Ingram' / Rosemary Rosmarinus officinalis 'Irene' TM / Irene Trailing Rosemary Salvia greggii 'Furmans Red' / Furman's Red Salvia Vinca minor	4% 5 gal 60" oc 4% 1 gal 48" oc 4% 5 gal 36" oc 4% 15 gal 72" oc 4% 1 gal 48" oc 4% 1 gal 18" oc 4% 5 gal 36" oc 4% 5 gal 60" oc 4% 5 gal 60" oc 4% 24'box 72" oc 4% 1 gal 18" oc 4% 5 gal 48" oc 4% 5 gal 48" oc 4% 5 gal 48" oc 4% 5 gal 48" oc 4% 5 gal 48" oc 4% 5 gal 48" oc 4% 5 gal 48" oc 4% 5 gal 48" oc 4% 1 gal 36" oc 4% 5 gal 48" oc 4% 5 gal 120" oc 4% 5 gal 48" oc 4% 5 gal 48" oc 4% 5 gal 48" oc 4% 5 gal 48" oc 4% 5 gal 48" oc 4% 1 gal 36" oc 4% 1 gal 24" oc
	ACCENT PLANTINGS AT ENTRY Achillea x 'Moonshine' / Moonshine Yarrow Erigeron karvinskianus 'Maerhelmi' / Pink Santa Barbara Daisy Kniphofia uvaria 'Bees Sunset' / Red Hot Poker Kniphofia uvaria 'Primrose Beauty' / Poker Plant Rosa x 'Flower Carpet White' / Rose Teucrium chamaedrys / Germander	16% 1 gal 24" oc 16% 1 gal 24" oc 16% 1 gal 24" oc 16% 1 gal 24" oc 16% 1 gal 24" oc



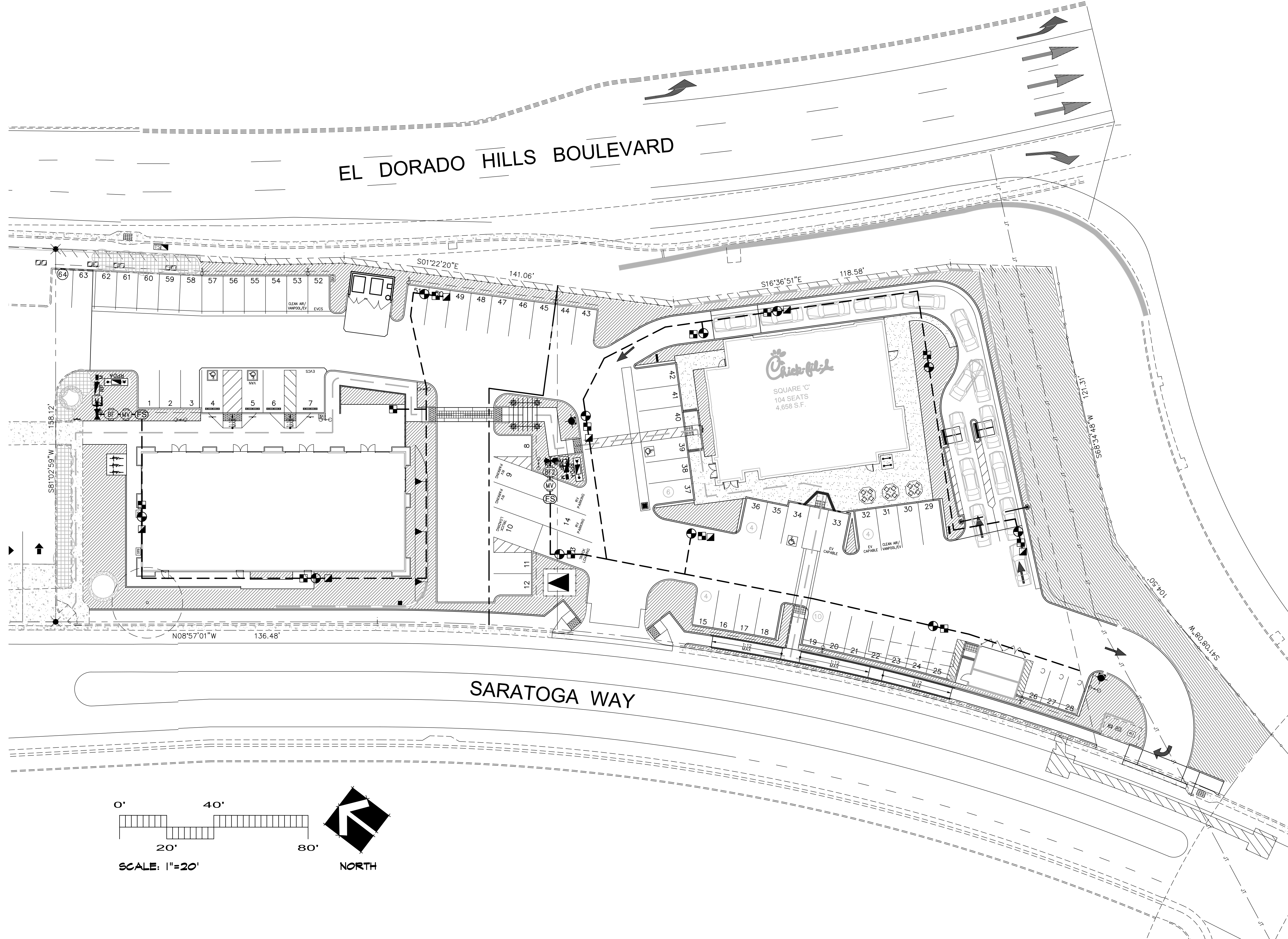
PRELIMINARY PLANTING PLAN - DESIGN REVIEW

SARATOGA RETAIL - PHASE 2

EL DORADO HILLS, EL DORADO COUNTY
JUNE 20, 2018



Exhibit L



IRRIGATION SCHEDULE

SYMBOL	MANUFACTURER/MODEL/DESCRIPTION	PSI
25 50 10 20	Hunter PCB Flood Bubbler, 1/2" FIPT.	20

SYMBOL	MANUFACTURER/MODEL/DESCRIPTION
■	Hunter PCZ-101-25 Drip Control Valve Kit. 1" PGV globe valve with 1" HY100 filter system. Pressure Regulation: 25psi. Flow range: 0.5 GPM to 15 GPM. 150 mesh stainless steel screen.
⊕	Netafim TLO50MFV-1 Automatic flush valve, 1/2" male pipe thread.
⊗	Rain Bird OPERIND Drip System Operation Indicator, stem rises 6" for clear visibility when drip system is charged to a minimum of 20psi. Includes 16" of 1/4" distribution tubing with connection fitting pre-installed.

Area to Receive Dripline
Hunter PLD-06-18 (18)
In-Line Pressure Compensating Landscape Dripline with Built-In Check Valve. 0.6GPH emitters at 18.0" O.C. Dripline laterals spaced at 18.0" apart, with emitters offset for triangular pattern. UV Resistant.

SYMBOL	MANUFACTURER/MODEL/DESCRIPTION
⊙	Hunter ICV-G 1", 1-1/2", 2", and 3" Plastic Electric Remote Control Valves, Globe Configuration, with NPT Threaded Inlet/Outlet, for Commercial/Municipal Use.

Hunter HQ-44LRC
Quick coupler valve, yellow rubber locking cover, red brass and stainless steel, with 1" NPT inlet, 2-piece body.

Nibco T-113
Class 125 bronze gate shut off valve with wheel handle, same size as mainline pipe diameter at valve location. Size Range - 1/4" - 3"

⊗	Hunter ICV-G 1", 1-1/2", 2", and 3" Plastic Electric Master Valve, Globe Configuration, with NPT Threaded Inlet/Outlet, for Commercial/Municipal Use.
---	--

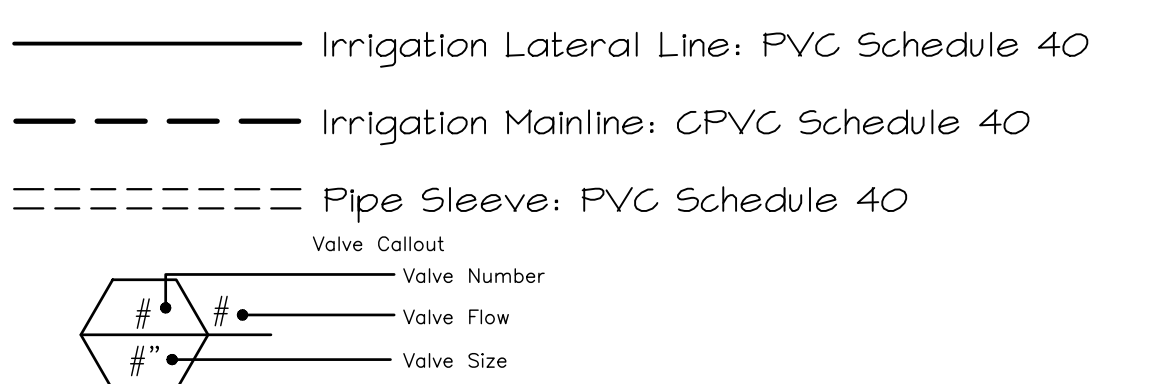
Febco 825Y
Reduced Pressure Backflow Preventer

⊗	Hunter IC-1200-M Modular Controller, 12 stations, Outdoor Model, Metal Cabinet. Commercial Use. With one ICM-600 module included.
---	--

Creative Sensor Technology FSI-T10-001
1" (25mm) PVC tee type flow sensor w/socket ends, custom mounting tee and ultra-lightweight impeller enhances low flow measurement. 2 wire digital output compatible w/all irrigation controllers. Flow range: .86-52 GPM.

Water Meter 1"
See Civil plans.

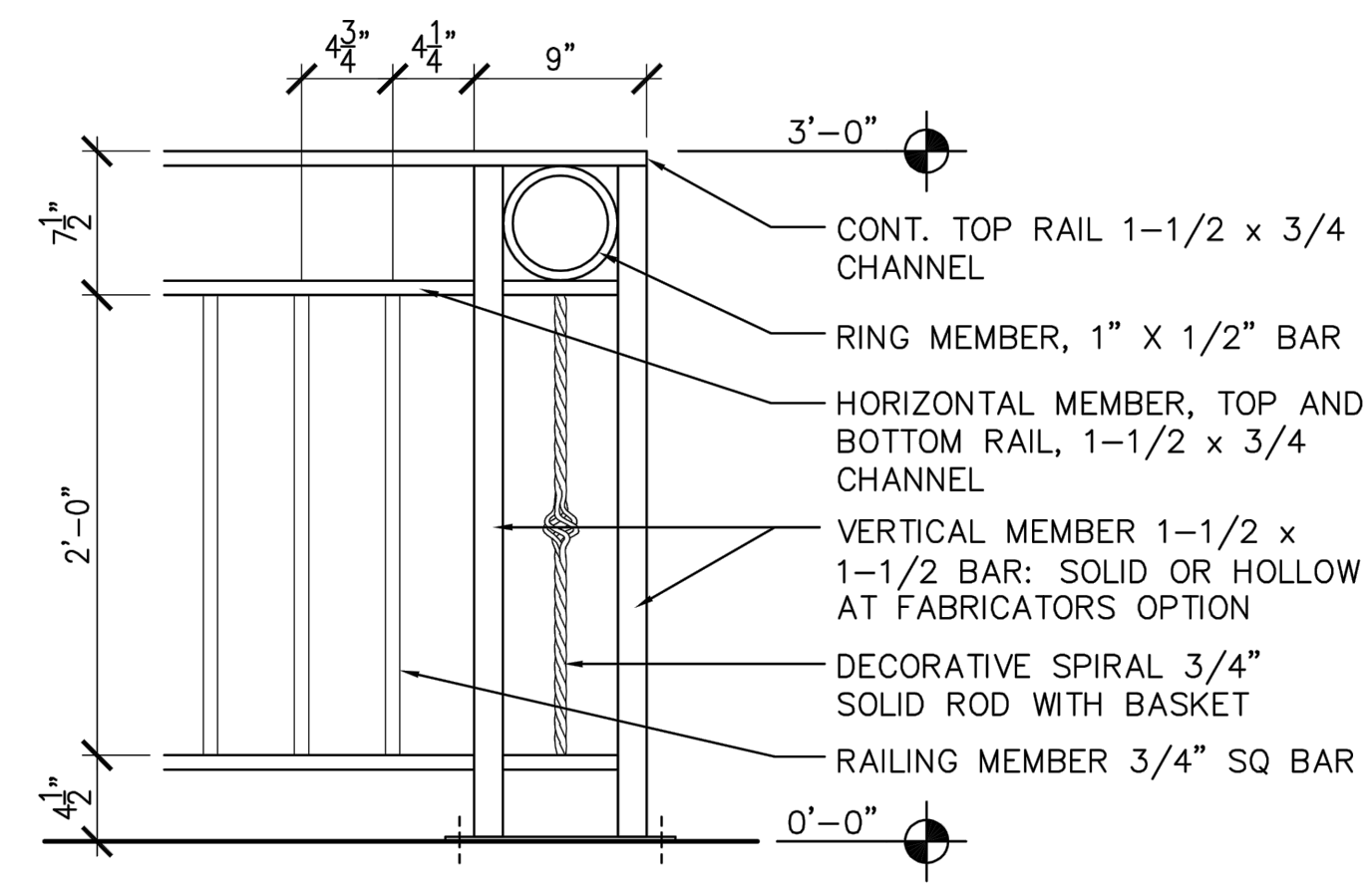
Water Meter 1"
See Civil Plans



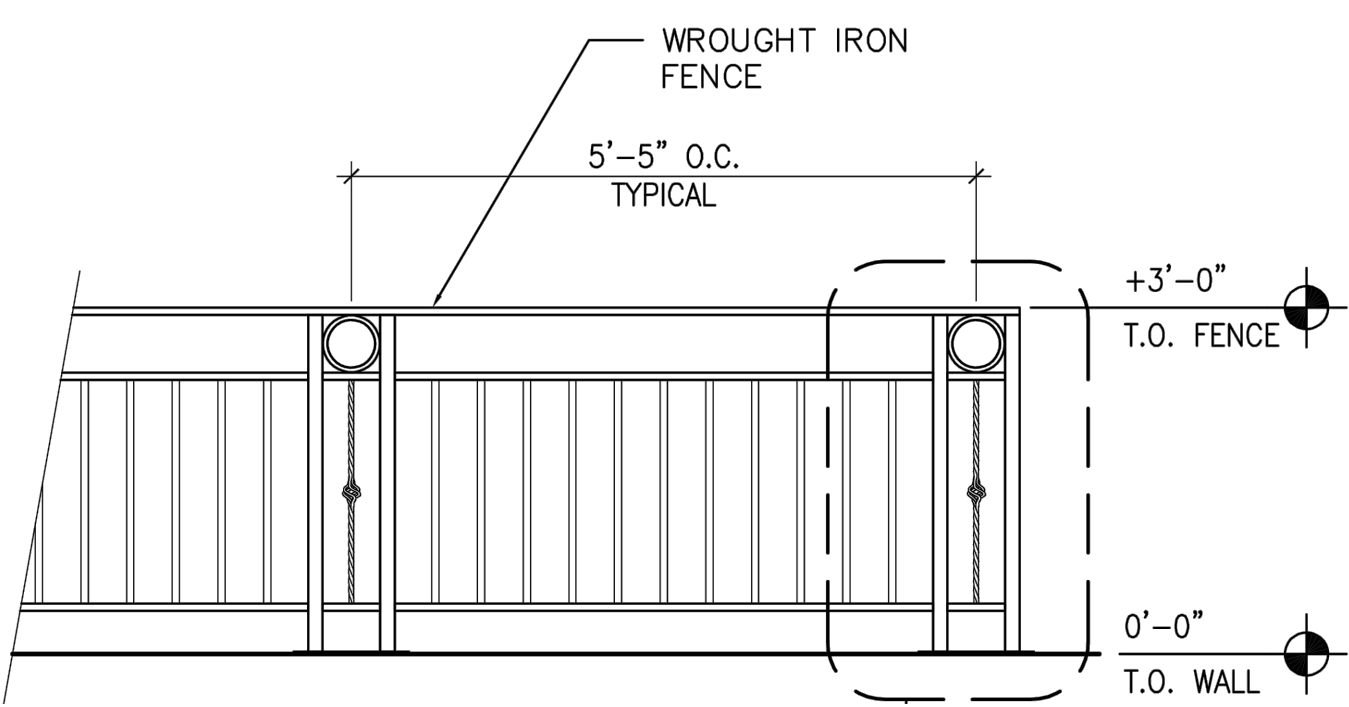
PRELIMINARY IRRIGATION PLAN - DESIGN REVIEW

SARATOGA RETAIL - PHASE 2
EL DORADO HILLS, EL DORADO COUNTY
JUNE 20, 2018

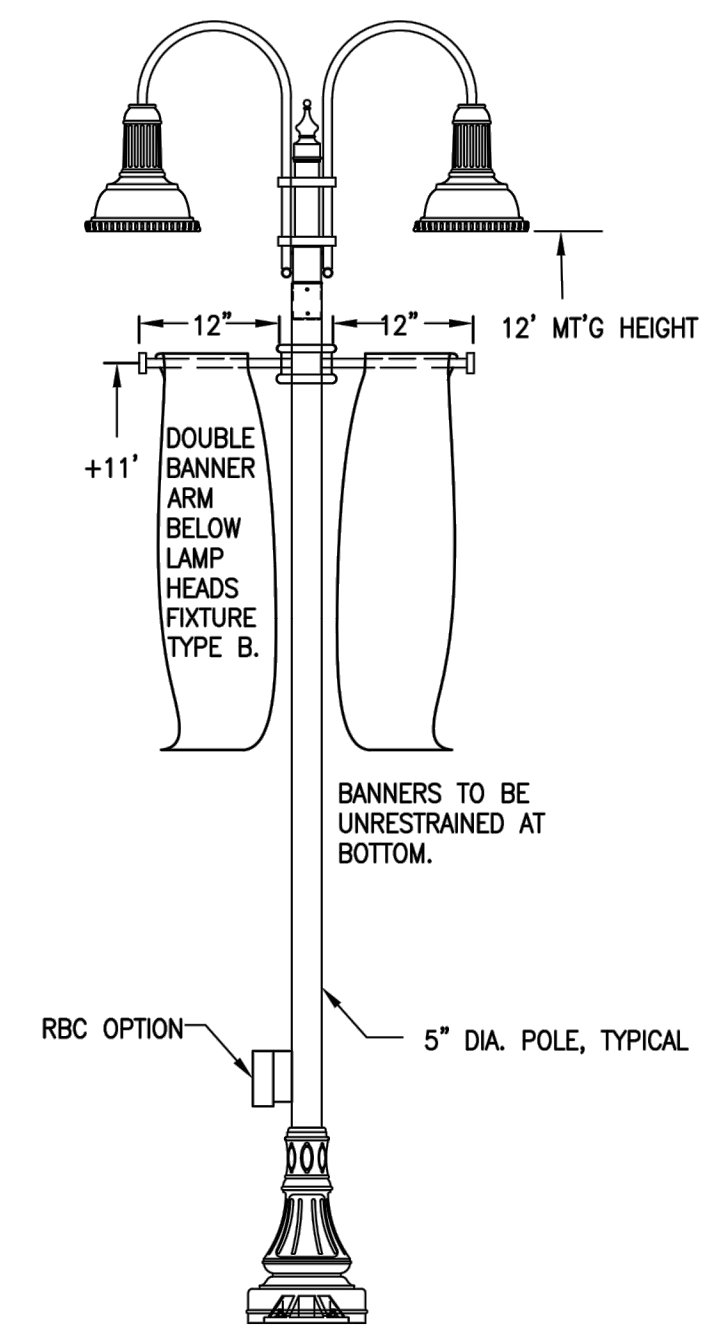
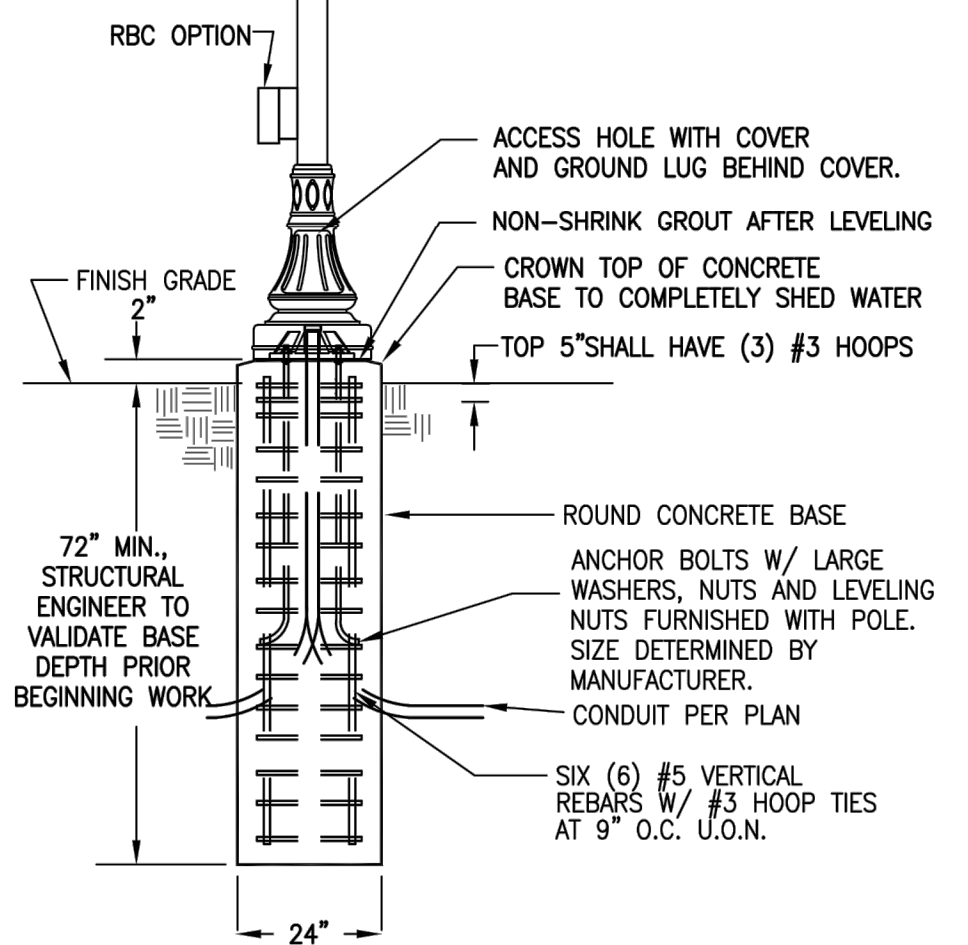
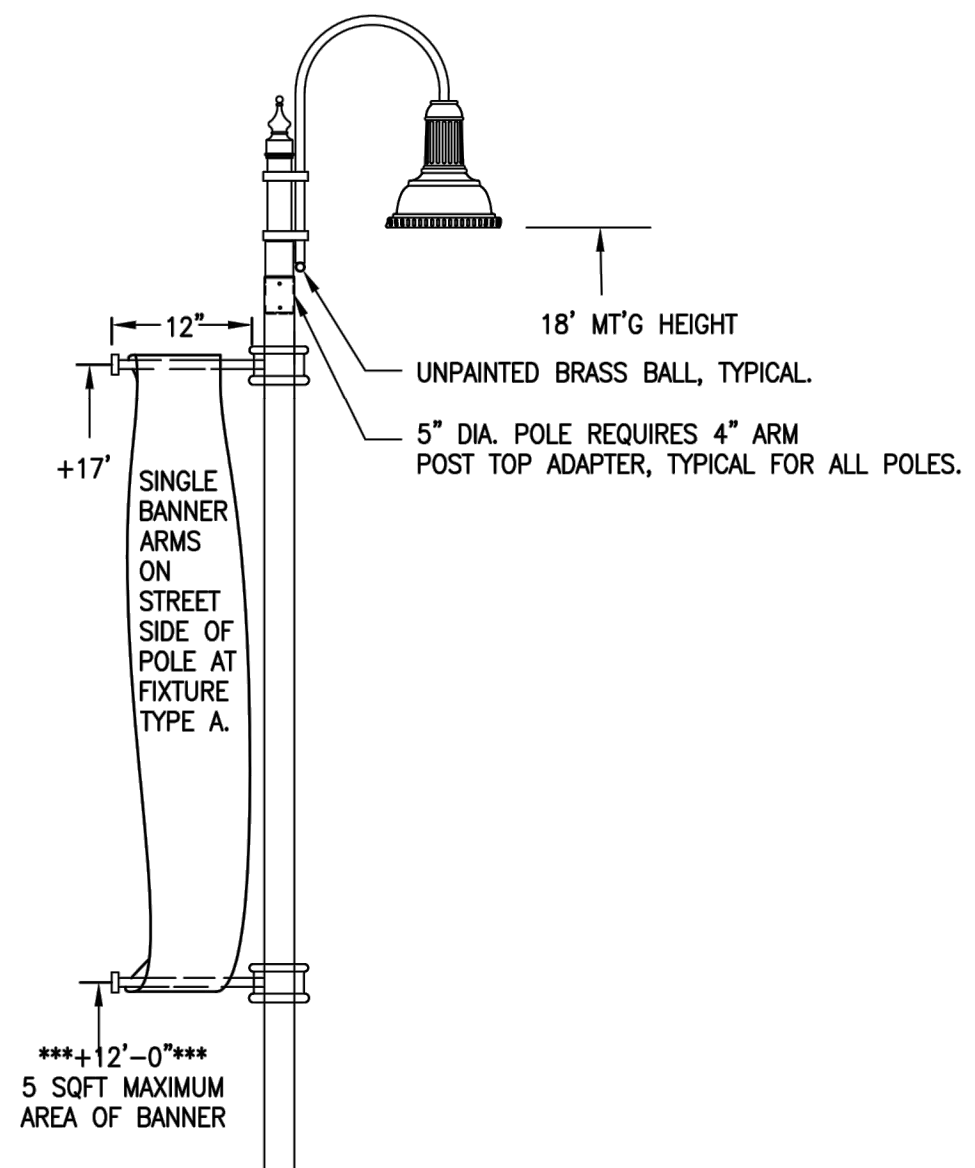
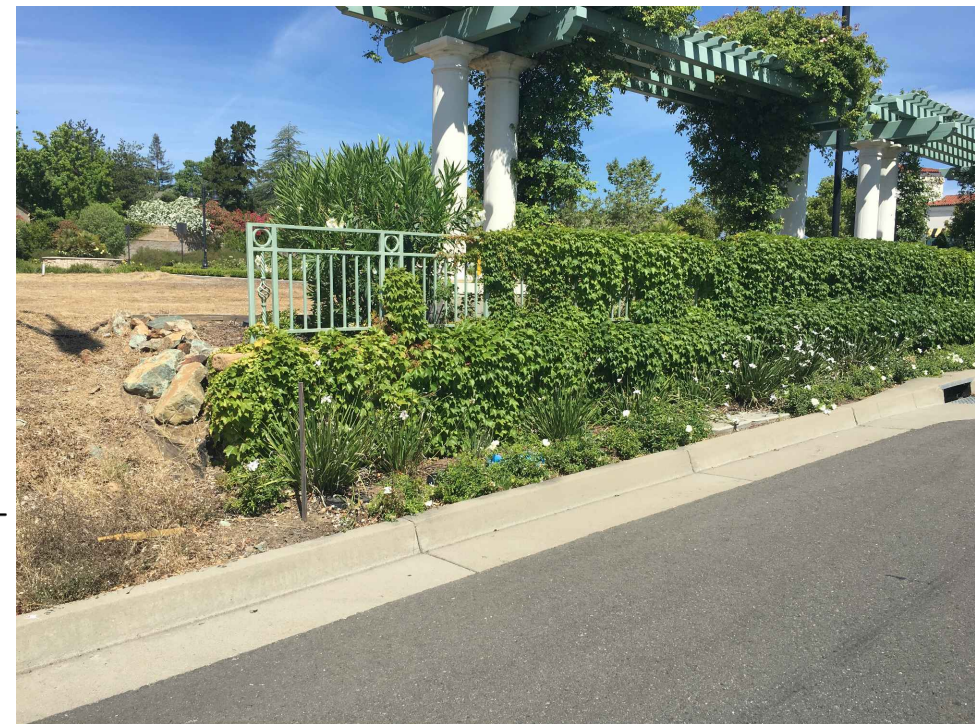




FINISH:
 FENCE ● PATIO TO BE POWDER COATED MATTE BLACK
 FENCE ○ PERIMETER TO BE POWDER COATED
 PITTSBURGH PAINTS "SILVER LEAF 406-4"



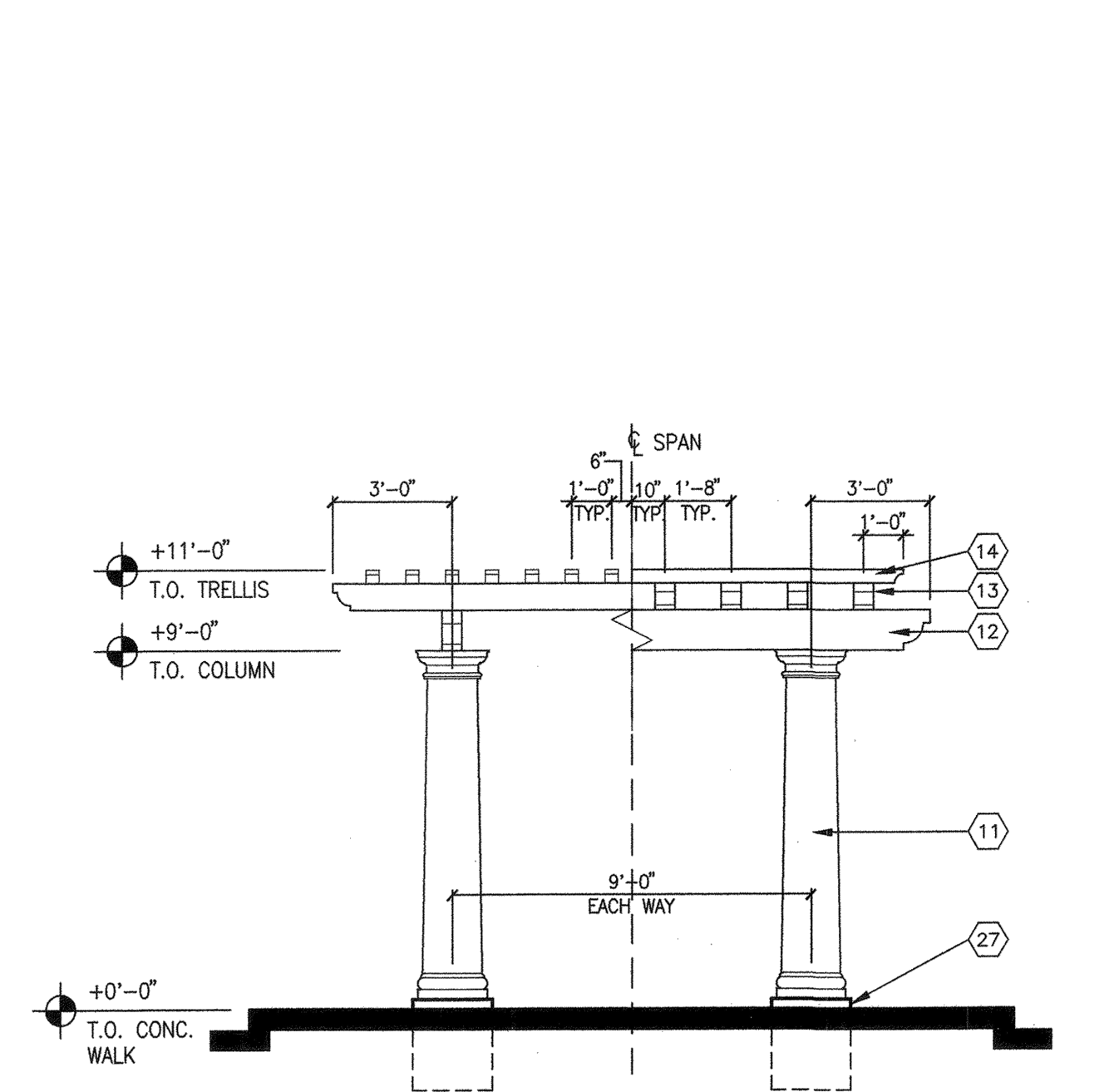
A DECORATIVE METAL FENCE
NOT TO SCALE PRIVATE ONSITE USE ONLY



TYPE B
POLE BASE SHOWN FOR FIXTURE TYPE A TYPICAL FOR TYPE B.

LIGHTING DETAILS
 SCALE: NONE
ALL POLES SHALL WITHSTAND 85 MPH WINDS AND 1.3 GUST FACTOR.
 NOTES: 1. CONTRACTOR TO FIELD INSTALL WP/GFI RECEPTACLES AT ALL LOCATIONS AS SHOWN ON PLAN; RBC OPTION.
 *** 2. BANNER ARMS ARE ADJUSTABLE, BUT SHALL NOT EXCEED MAXIMUM AREAS AS SHOWN ABOVE.

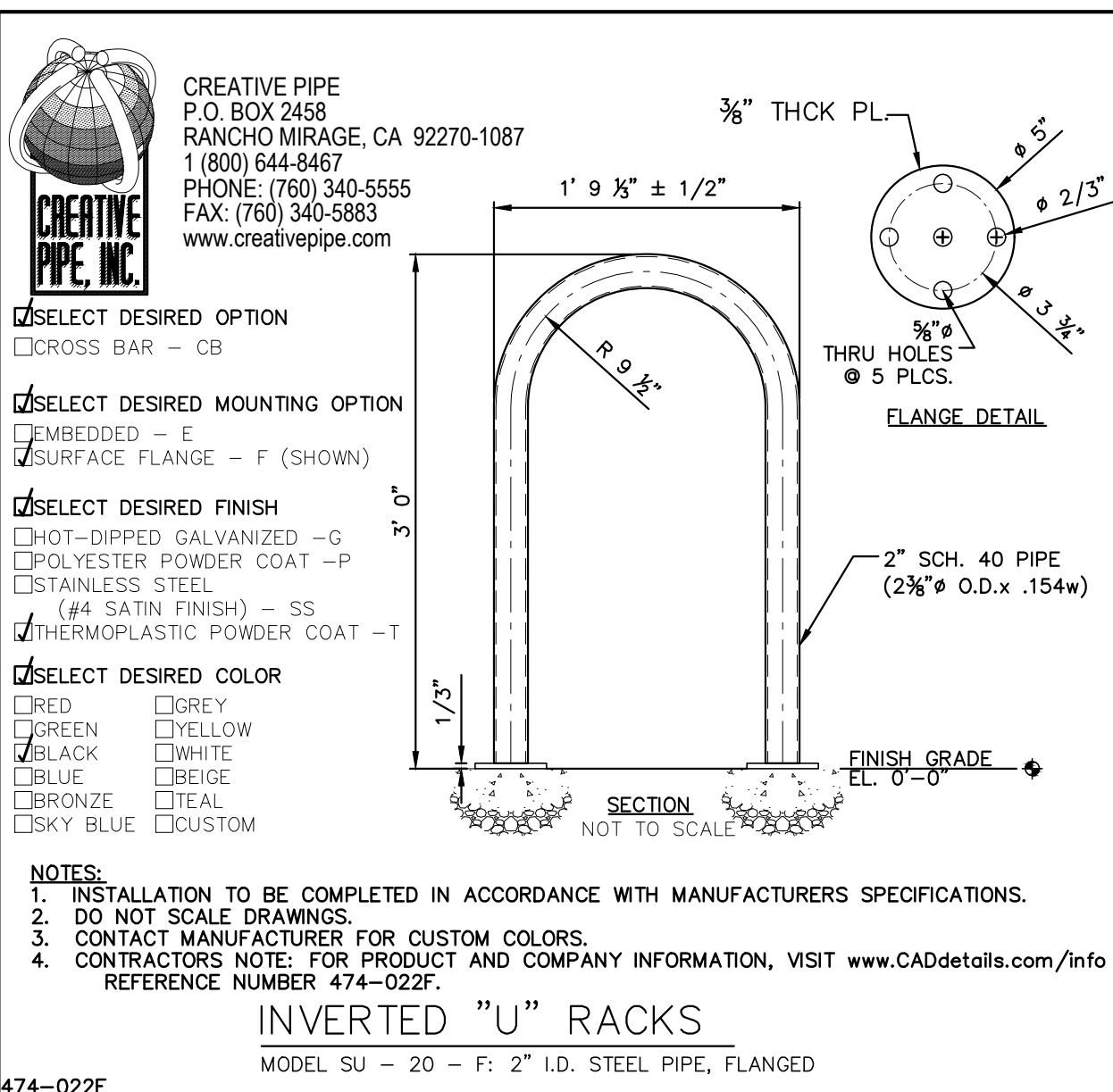
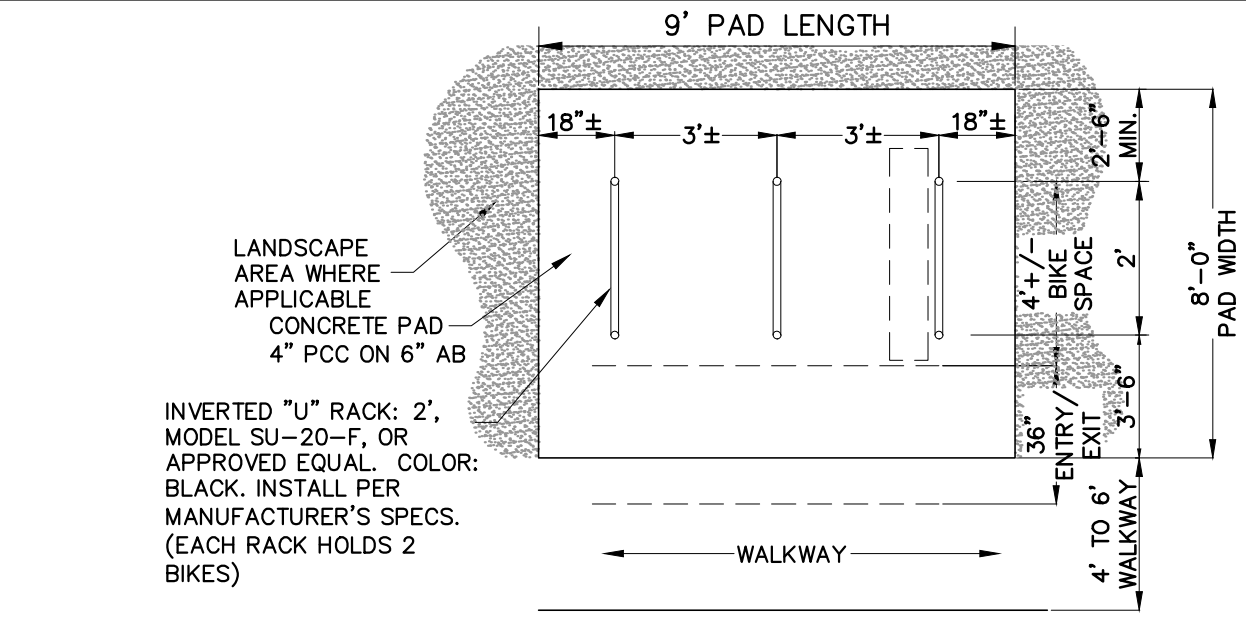
C SITE LIGHTING
NOT TO SCALE PRIVATE ONSITE USE ONLY



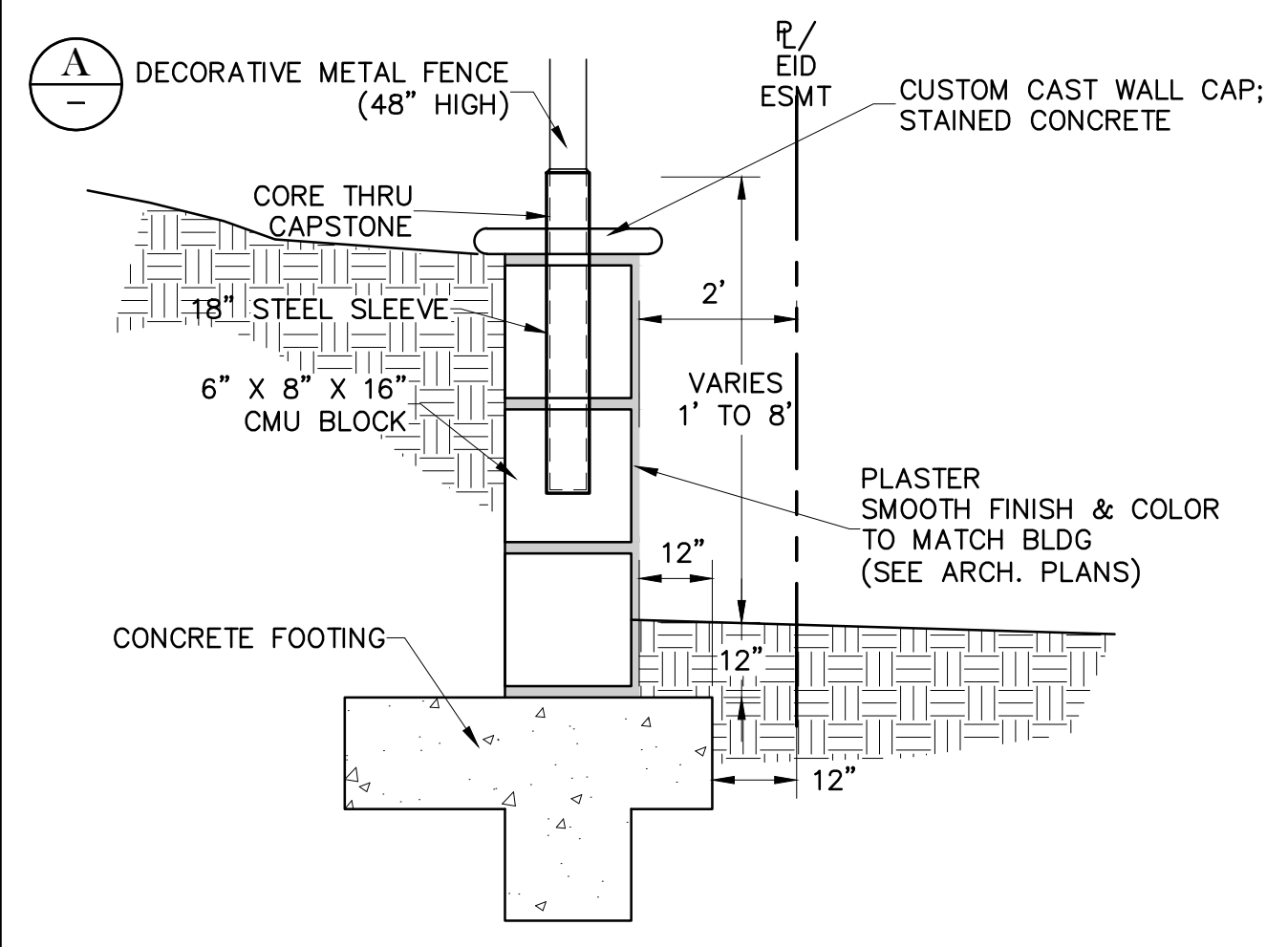
B OVERHEAD TRELLIS
NOT TO SCALE PRIVATE ONSITE USE ONLY



PRELIMINARY SITE DETAILS - DESIGN REVIEW
SARATOGA RETAIL - PHASE 2
 EL DORADO HILLS, EL DORADO COUNTY



D BIKE RACK DETAILS
NOT TO SCALE

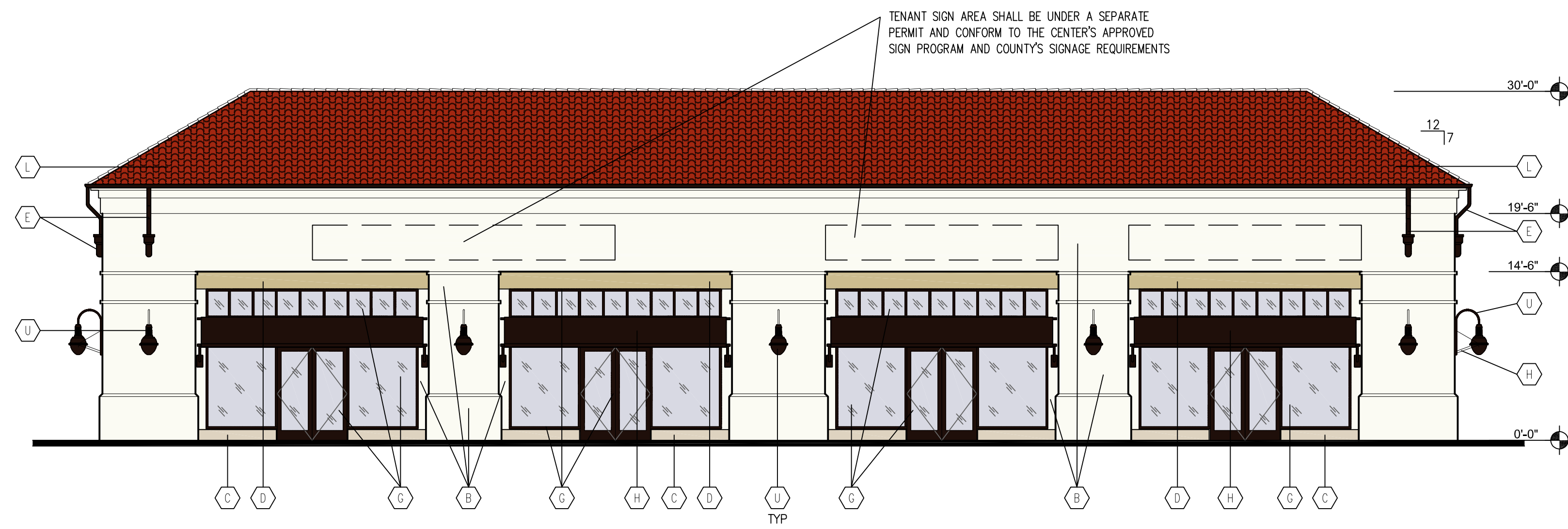


E LANDSCAPE RETAINING WALL
NOT TO SCALE PRIVATE ONSITE USE ONLY

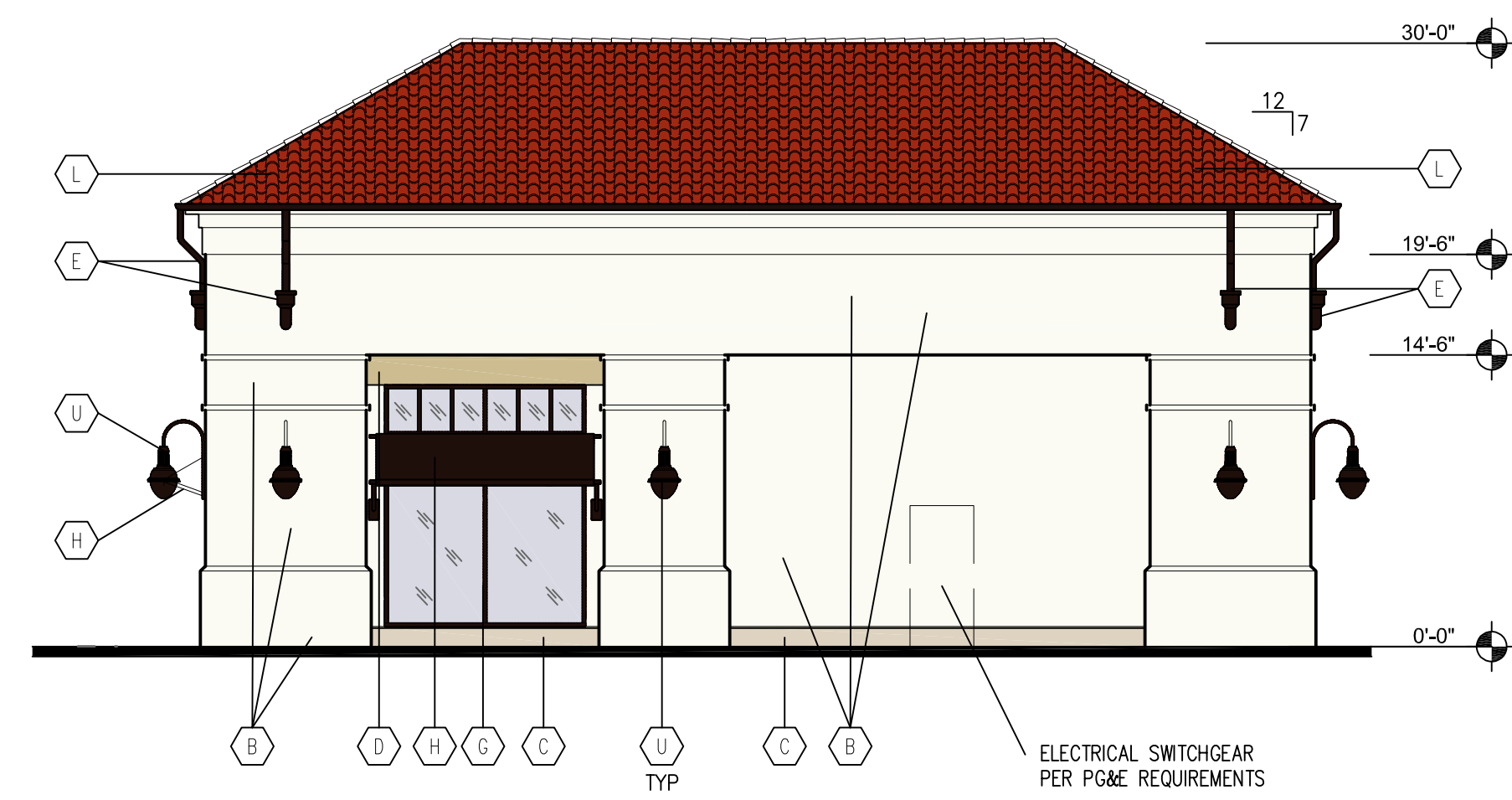


PRELIMINARY SITE DETAILS
 JUNE 26, 2018

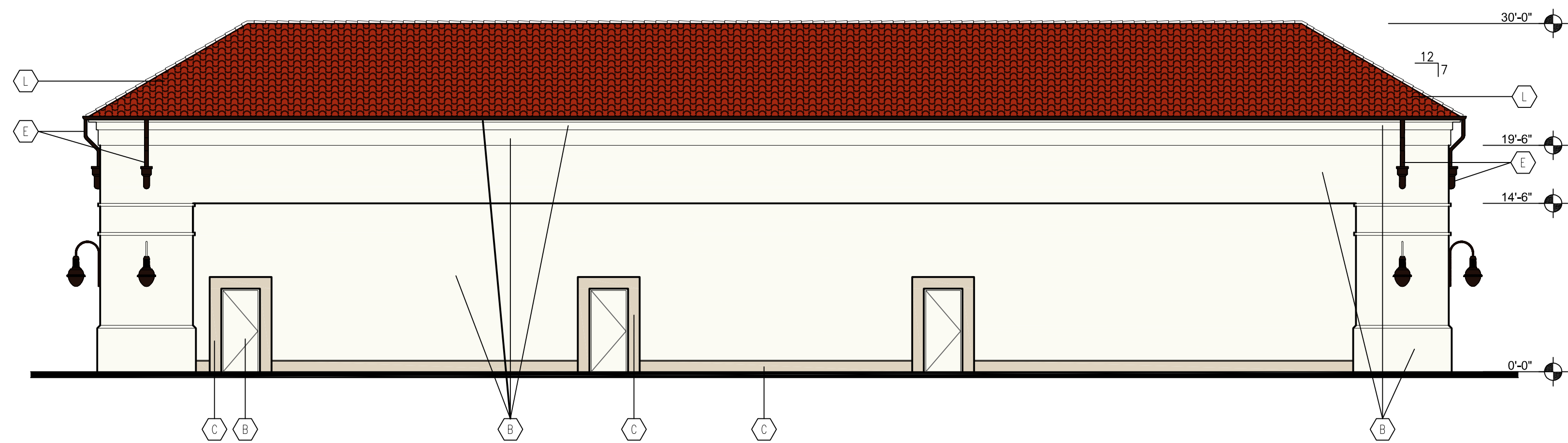
TS&D ENGINEERING, INC.
 expect more.
 785 Orchard Dr, Suite 110
 Folsom, CA 95630
 Phone: (916) 608-0707
 Fax: (916) 608-0701



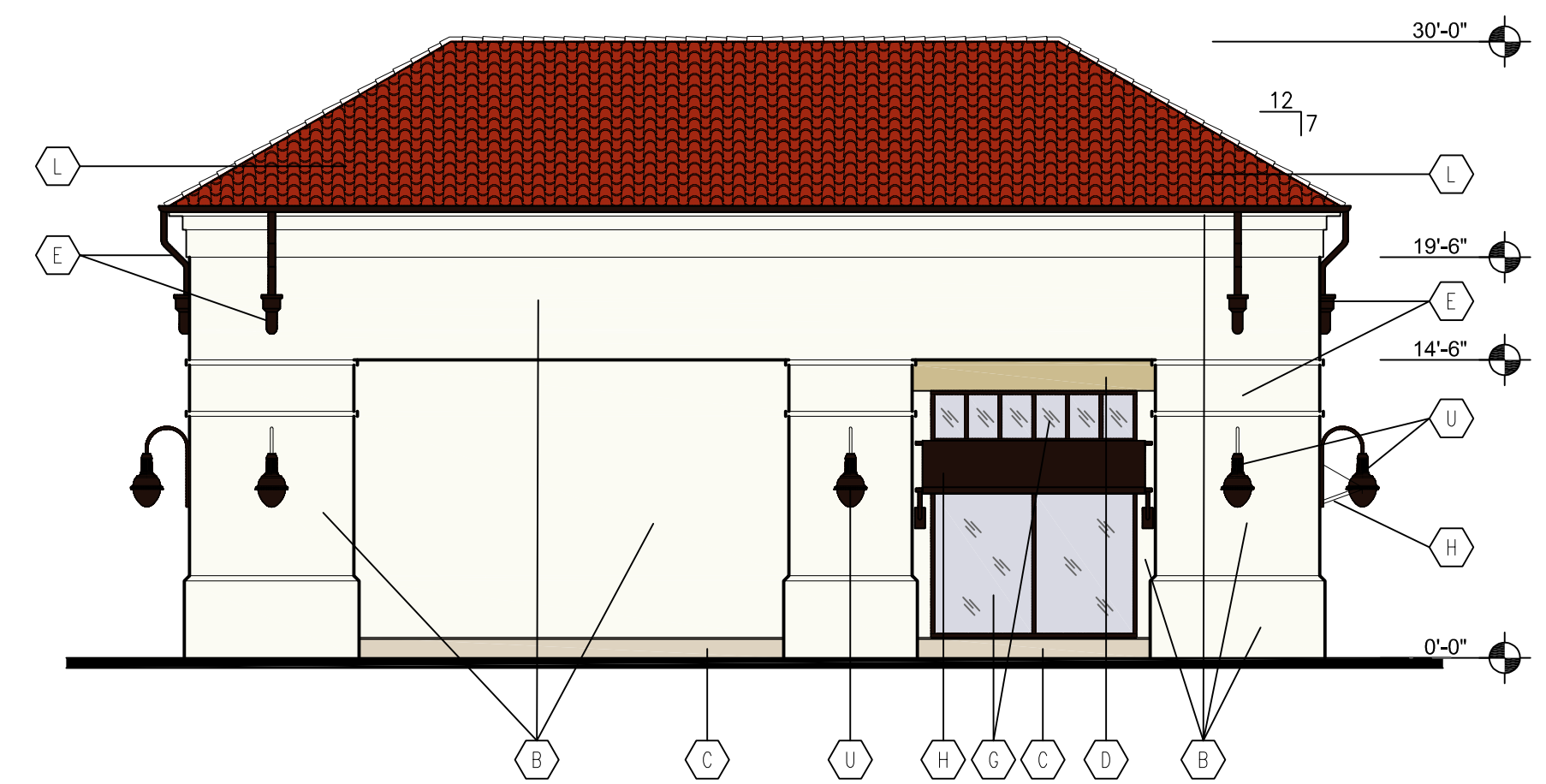
BUILDING 2 - EAST ELEVATION



BUILDING 2 - NORTH ELEVATION



BUILDING 2 - WEST ELEVATION

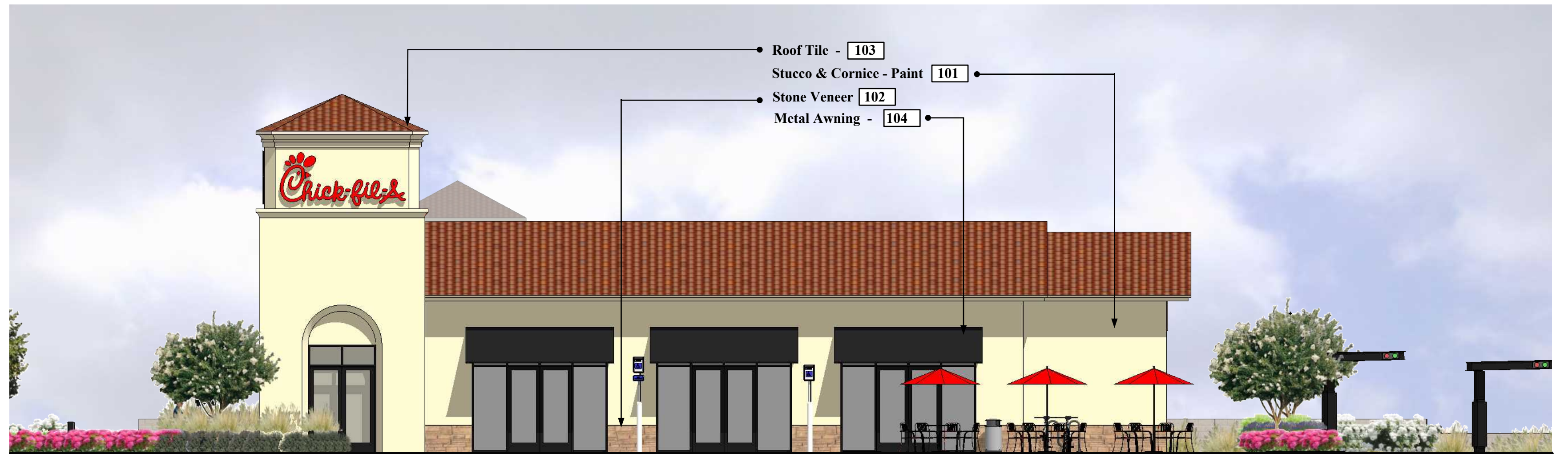


BUILDING 2 - SOUTH ELEVATION

MATERIAL	MANUFACTURER	STYLE / COLOR						
A METAL FLASHING/COPING	UNI-CLAD	BONE WHITE	J - NOT USED -			Q - NOT USED -		W - NOT USED -
B CEMENT PLASTER WALL/CORNICE/ WAINSCOTT/RAIN LEADER/DOOR AND FRAME	PITTSBURGH PAINTS	ENDURING ICE 413-1	K - NOT USED -			R LAMP POST - TYPE B (MATCH EXISTING ON SITE)	ARCHITECTURAL AREA LIGHTING	
C CEMENT PLASTER TRIM	PITTSBURGH PAINTS	WHEAT SHEAF 415-3	L ROOF TILE	REDLAND CLAY TILE	JUNIPERO 9000 SERIES RIOJA #95111 66.7% CAFE ANTIGUA #9543 33.3%	S LAMP POST - TYPE C (MATCH EXISTING ON SITE)	ARCHITECTURAL AREA LIGHTING	HEAD - PRMD H3 (BLACK) POLE - DB10 SR (BLACK) ARM - TRA9 (BLACK)
D CEMENT PLASTER TRIM	PITTSBURGH PAINTS	PONY TAIL 315-4	M - NOT USED -			T - NOT USED -		DUAL HEADS - PRMD H5 (BLACK) POLE - DB6 4R (BLACK) DOUBLE ARMS - TRA9-2 (BLACK)
E PATIO FENCE/RAIN GUTTER	PITTSBURGH PAINTS	MATT BLACK	N - NOT USED -			U WALL MOUNTED LIGHT - TYPE A	ARCHITECTURAL AREA LIGHTING	SINGLE HEAD - PRMD H5 (BLACK) BRACKET - WMA 11 (BLACK)
F METAL FENCE AT SITE RETAINING WALL	PITTSBURGH PAINTS	SILVER LEAF 406-4	P - NOT USED -			V - NOT USED -		X ROUND RECESSED DOWNLIGHT INDY SD88BD (BLACK)
G STOREFRONT	T.B.D.	MATT BLACK						
H AWNING	FABRIC: SUNBRELLA FRAME: ALUMINUM	MATT BLACK MATT BLACK						



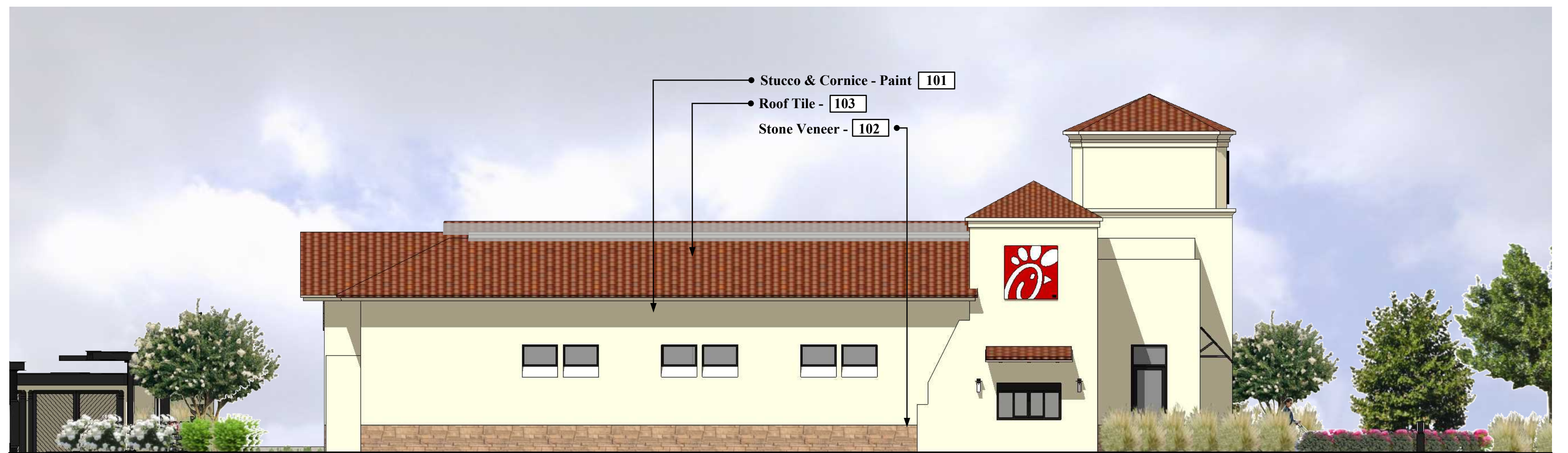
SOUTH ELEVATION



WEST ELEVATION



NORTH ELEVATION



EAST ELEVATION



PRELIMINARY ELEVATIONS
El Dorado Hills, CA

File Name: 15-227 Elevations

8-12-16
Updated: 11-1-16
11-22-16
11-29-16
12-02-16
06-22-17
07/12/17

Note:
All roof top mechanical equipment shall be located in equipment well and screened from view by parapet walls.

COLOR AND MATERIAL LEGEND

- 101 Paint - Sherwin Williams - #SW7541 "Grecian Ivory"
- 102 Stone Veneer - El Dorado Stone - Roughcut "Wheatfield"
- 103 Roof Tile - Redland Clay Tile - Junipero 9000 Series "Rioja Handmade #95111"
- 104 Metal Awning - "Black"



Exhibit Q

C · R · H · O

Architecture Interiors Planning

195 South "C" Street Suite 200

Tustin, California 92780

714 832 1834

FAX 714 832 1910



Attachment 2

Air Quality



Air Quality Analysis



SYCAMORE ENVIRONMENTAL CONSULTANTS, INC.

6355 Riverside Blvd., Suite C, Sacramento, CA 95831
916/ 427-0703 Fax 916/ 427-2175

27 June 2008

Mr. Peter Navarra
Central Pacific Development Company
3220 Northrop Avenue
Sacramento, CA 95864

Phone: 916/ 798-6161
Fax: 916/ 480-9922

Subject: CEQA Evaluation of Potential Air Quality Impacts for “The Shops” Mixed-Use Shopping Center, El Dorado County, CA.

Dear Mr. Navarra:

Sycamore Environmental Consultants, Inc. evaluated potential air quality impacts resulting from the development of “The Shops” mixed-use shopping center on El Dorado County APN 120-070-05-100 in El Dorado Hills, CA. The mixed-use shopping center will be located on the east side of Saratoga Way, east of El Dorado Hills Boulevard, north of the Highway 50 onramp. The project site is located on the Clarksville USGS topographic quad (T9N, R8E, Sections 2 and 11).

The land use designation for the property is commercial (C) and the zone is commercial (C) with a design control (DC) overlay. This project consists of developing 13,368 gross square feet of pharmacy with drive through; 8,500 gross square feet of high turnover, sit-down restaurant; and 9,038 gross square feet of general retail. The attached air quality evaluation provides the County with the information needed to complete the air quality resources section of the California Environmental Quality Act (CEQA) document. A summary of the conclusions is provided below.

Conclusions

Emissions were evaluated for the construction and operation of a mixed-use shopping center. Independent and cumulative air quality impacts resulting from the project were evaluated as less than significant with the implementation of the recommendations listed below. The bid specifications and construction contract should stipulate that the contractor shall:

- Comply with all applicable El Dorado County AQMD Rules including Rule 223 Fugitive Dust;
- Implement Avoidance Measures 1 and 2; and
- Implement Avoidance Measure 3 or 4.

Thank you for the opportunity of evaluating your project. If you have any questions, please call.

Yours truly,

A handwritten signature in green ink, appearing to read "Jeffery Little".

Jeffery Little
Vice President

JJL:dmc

Attachment A

Air Quality Impacts Evaluation

for

“The Shops”

El Dorado County

Introduction

Sycamore Environmental Consultants, Inc. (Sycamore Environmental) evaluated potential air quality impacts resulting from the development of a mixed-use shopping center on El Dorado County APN 120-070-05-100. The mixed-use shopping center will be located on the east side of Saratoga Way, east of El Dorado Hills Boulevard, north of the Highway 50 onramp. The project site is located on the Clarksville USGS topographic quad (T9N, R8E, Sections 2 and 11).

The land use designation and zone for APN 120-070-05-100 is commercial (C) with a design control overlay. The project proposes a total of 13,368 gross square feet of pharmacy with drive through; 8,500 gross square feet of high turnover, sit-down restaurant; and 9,038 gross square feet of general retail. This air quality evaluation provides the information needed for the County to make a California Environmental Quality Act (CEQA) finding with respect to potential air quality impacts. A list of conclusions at the end of this report identifies the actions needed to ensure that the proposed project results in less than significant impacts to air quality.

Methods

The El Dorado County Air Pollution Control District Guide to Air Quality Assessment (CEQA Guide, February 2002, First Edition) was used to evaluate construction and operation of the proposed mixed-use shopping center. URBEMIS 2007 for Windows version 9.2.4 was used to verify the results. Other resources used in our analysis include El Dorado County Air Quality Management District (AQMD) rules for fugitive dust (Rules 223, 223-1, and 223-2); El Dorado County ordinances for projects in areas that may have naturally occurring asbestos (NOA); California Department of Mines and Geology NOA data, and U.S. Environmental Protection Agency (EPA) and California Air Resources Board (CARB) toxic air contaminants data. The following topics are evaluated in this letter:

- Land Use Conflicts and Exposure of Sensitive Receptors
- Compliance with El Dorado County AQMD Rules and Regulations
- Compliance with EPA Conformity Regulations
- Odors
- Construction Activities
- ROG and NO_x Emissions and Mitigation for Project Operation
- CO, PM₁₀, and Other Pollutant Air Quality Impacts
- Evaluation of Toxic Air Contaminants
- Evaluation of Cumulative Impacts

Qualitative Analysis

The CEQA Guide identifies land use conflicts and exposure of sensitive receptors; compliance with El Dorado County AQMD rules and regulations; compliance with EPA Conformity regulations; and odors as topics to be addressed qualitatively. The qualitative evaluation identifies potential issues that lead to additional quantitative analysis.

Land Use Conflicts and Exposure of Sensitive Receptors

There are no habitable structures on the property. The parcel is bound by El Dorado Hills Boulevard to the east and by Saratoga Way to the south, west, and north. Land to the west of the site is multi-family residential development. Commercial development occurs to the north and east. Highway 50 is south of Saratoga Way. Multi-family residential is often used as a transition zone between commercial uses and single-family residential uses. Therefore, the proposed project would not conflict with surrounding land use.

The CEQA Guide identifies sensitive receptors as facilities that house or attract children, the elderly, people with illnesses, or others who are especially sensitive to the effects of air pollutants. Hospitals, schools, and convalescent facilities are examples of sensitive receptors (CEQA Guide page 3-2). Two elementary schools and a preschool are located within one mile of the project: The William Brooks Elementary School is 0.45 mile northwest of the site, and Oak Meadow Elementary School is 0.81 mile northeast of the site, and the KinderCare Learning Center is 0.15 mile east of the site on Park Drive, east of El Dorado Hills Boulevard. Existing multi-family and single-family residential development occurs between the project site and the elementary schools. El Dorado Hills Boulevard and a parking lot occur between the project site and the KinderCare Learning Center. The nearest assisted living facility for seniors is located approximately 9.12 miles from the project site. Because the residential development occurs between the site and the elementary schools and assisted living facilities are located over one mile from the project site, the proposed project would not conflict with these sensitive receptors. Although the KinderCare Learning Center is in close proximity to the proposed project, the project will not conflict with this sensitive receptor for the following reasons:

- The project is not an industrial facility that would produce high levels of air pollutants;
- The project will comply with all El Dorado County AQMD rules and regulations, including Rule 223 Fugitive Dust;
- The project construction and operation emissions of ROG and NO_x are both estimated to be below the 82 lbs/day significance threshold (discussed in more detail in the quantitative analysis below); and
- The project will avoid air quality impacts resulting from grading and construction activities on soil that contains naturally occurring asbestos (NOA) by incorporating NOA Avoidance Measure 3 or Avoidance Measure 4 (discussed below).

Compliance with El Dorado County AQMD Rules and Regulations

Figure 1.1 in the CEQA Guide identifies facilities that require permits from the El Dorado County AQMD. The mixed-use shopping center does not require an Authority to Construct Permit or a Permit to Operate.

The following El Dorado County AQMD Rules apply during the construction of the project:

- Rule 215 Architectural Coatings. Rule 215 defines the quantities of reactive organic compounds permitted for use in new construction.

- Rule 223 Fugitive Dust – General, Rule 223-1 Fugitive Dust – Construction, and Rule 223-2 Fugitive Dust – Asbestos Hazard Mitigation. Rule 223 limits manmade fugitive dust to the property line of the construction site. Rule 223-1 requires a Fugitive Dust Control Plan be prepared and submitted to the El Dorado County AQMD prior to ground disturbing activities. Rule 223-2 requires a geologic evaluation for NOA and the preparation of NOA mitigation plan if NOA were present (or assumed present).
- Rule 224 – Cutback and Emulsified Asphalt. Rule 224 defines the types of cutback and emulsified asphalts permitted for use in El Dorado County.
- Pursuant to Rule 610, the El Dorado County AQMD will charge \$104 to review the Fugitive Dust Control Plan required by Rule 223-1 and \$327 plus \$21 per acre to review the Asbestos Dust Mitigation Plan required by Rule 223-2.

To ensure compliance with applicable El Dorado County AQMD rules, the bid specifications and construction contract should stipulate the following:

The Contractor shall adhere to all applicable El Dorado County AQMD rules, including but not necessarily limited to Rules 215, 223, 223-1, 223-2, and 224. Copies of these rules are available from the El Dorado County AQMD website (<http://www.co.el-dorado.ca.us/emd/apcd/index.html>). The Contractor shall prepare a Fugitive Dust Control Plan for review and approval by the El Dorado County Air Pollution Control Officer pursuant to Rule 223-1 – Fugitive Dust Construction. The contractor shall either demonstrate that Naturally Occurring Asbestos does not occur on-site in accordance with Rule 223-2 or prepare an Asbestos Dust Mitigation Plan for review and approval by the El Dorado County Air Pollution Control Officer.

Compliance with U.S. EPA Conformity Regulations

Federally funded projects or projects with federal discretionary permits must demonstrate conformity with the State Implementation Plan for achieving and maintaining federal ambient air control standards. No federal agency nexus has been identified.

Odors

The CEQA Guide describes the standard for determining whether a project would have potentially significant impacts resulting from odors (page 3-3):

[Odors] “which cause detriment, nuisance, or annoyance to any considerable number of persons or to the public, or which may endanger the comfort, repose, health, or safety of any such person or the public, or which may cause, or have a natural tendency to cause, injury or damage to business or property.”

Table 3.1 in the CEQA Guide lists common types of facilities that are known to produce odors that potentially cause detriment, nuisance, or annoyance to the public. The facilities listed are limited to industrial and waste disposal type land uses. Mixed-use shopping centers are not listed as odor generating facilities. The proposed project would not result in significant impacts resulting from odors.

Quantitative Analysis

Construction Activities

Common construction activities include site preparation, earthmoving, and general construction. Site preparation activities include general land clearing and grubbing. Earthmoving activities include cut and fill operations, trenching, soil compaction, and grading. General construction includes adding improvements such as roadway surfaces, utilities, structures, and facilities.

The emissions generated from these common construction activities include:

- Combustion emissions (ROG, NO_x, CO, SO_x, PM10) from mobile heavy-duty diesel- and gasoline-powered equipment, portable auxiliary equipment, and worker commute trips;
- Combustion emissions from heavy-duty diesel-fueled equipment contain Diesel PM, which has been identified as a potential health risk;
- Fugitive dust (PM10) from soil disturbance or demolition; and
- Evaporative emissions (ROG) from asphalt paving and architectural coating applications.

Demolition and earth disturbance may also result in airborne entrainment of asbestos, a toxic air contaminant, with regard to soil disturbance in areas where there are naturally occurring surface deposits of ultramafic rock. Potential impacts resulting from soil disturbance of NOA are discussed under the toxic air contaminants evaluation in this letter below.

The El Dorado County AQMD evaluates the significance of ROG and NO_x emissions during construction based on the maximum amount of fuel, diesel, and regular gasoline that would be used on the peak equipment use day. Table 4.1 in the CEQA Guide lists the range of maximum daily fuel usage for the sum of all equipment, off-road vehicles and auxiliary handheld equipment, which can be used to ensure less than significant impacts resulting from ROG and NO_x emissions.

Maximum daily fuel usage for all equipment used (vehicles and hand held), if all of the equipment is model year 1995 or earlier, is 337 gallons per day (diesel and gasoline) for a less than significant impact. Maximum daily fuel usage for all equipment model year 1996 or later (vehicles and handheld) for a less than significant impact is 402 gallons per day (diesel and gasoline). A linear interpolation is used between 337 and 402 gallons per day, in proportion to the distribution of equipment into the two age categories, to determine the maximum allowable daily fuel use for a specific fleet mix. For example, a 50/50 age distribution yields allowable fuel use of 370 gallons per day.

The equation to determine the maximum daily fuel usage is expressed as:

Daily maximum fuel usage (diesel and regular gasoline) = $X(65) + 337$, where X equals the number of 1996 and newer equipment divided by the total number of equipment used (off-road vehicles and auxiliary handheld equipment) and 65 is the difference of the maximum gallons permitted for 1996 and newer equipment and the maximum gallons permitted for 1995 and older equipment. For example, if 10 pieces of equipment are used and 3 are 1995 and older and 7 are 1996 and newer, then the ratio of newer equipment to all equipment used is 0.7 ($7/10 = 0.7$). Using the formula $0.7(65) + 337$, the project is allowed to use a maximum of 383 gallons of fuel on that day.

To ensure that construction of the mixed-use shopping center would result in less than significant air quality impacts, the bid specifications and construction contract should stipulate the following:

Avoidance Measure 1.

On any given day during construction, the contractor shall ensure that all equipment used during that day (off-road vehicles and auxiliary handheld equipment) does not exceed the fuel usage limit (diesel and regular gasoline) established in the El Dorado County Air Pollution Control District CEQA Guide. The maximum amount of fuel that can be used is based on the year that the equipment was built.

- The maximum amount of fuel that can be used in one day if all equipment used is 1995 model year or older is 337 gallons.
- The maximum amount of fuel that can be used in one day if all equipment used is 1996 model year or newer is 402 gallons.
- If a combination of 1995 and older and 1996 and newer equipment is used, then divide the number of 1996 and newer equipment by the total number of equipment used. Multiply that number by 65. Add that number to 337. The sum is the maximum number of gallons of fuel permitted for use on that day.

With implementation of this stipulation, ROG and NO_x emissions during construction would be less than significant. To ensure that the daily fuel maximums listed in Avoidance Measure 1 were feasible for this project, daily ROG and NO_x construction-related emissions were estimated using URBEMIS 2007 version 9.2.4. The construction emissions calculation included an estimate of 4,000 cubic yards of soil import/ export to raise the elevation of the southern portion of the site by 8 ft. Daily ROG construction emissions were estimated at 33.0 lbs/day, and daily NO_x construction emissions were estimated at 54.6 lbs/day. The estimated daily ROG and NO_x construction emissions are both well below the 82 lbs/day significance threshold mandated by El Dorado County. Because project construction, as modeled in URBEMIS 2007, results in ROG and NO_x emissions below the significance thresholds, adherence to Avoidance Measure 1 is practicable for this project.

The El Dorado County AQMD determined that if ROG and NO_x emissions are less than significant then exhaust emissions of CO are also deemed less than significant. With adherence to Rule 231 and implementation of the Fugitive Dust Control Plan required by Rule 231-1, PM10 emissions would have a less than significant impact on air quality during construction.

Diesel PM has been identified as a potential health risk. Limiting the amount of diesel fuel used during the entire course of a project reduces the potential health risks to a less than significant level. Table 4.2 in the CEQA Guide provides the maximum amount of fuel that can be used that will ensure less than significant health risks. As with the daily fuel limit described above, the maximum amount of diesel fuel allowed over the entire course of project construction is based on the year that the equipment was built. For equipment that is model year 1996 or newer, the maximum amount of diesel fuel allowed is 37,000 gallons. For equipment that is model year 1995 or older the maximum amount of diesel fuel allowed is 3,700.

The equation to determine the maximum project diesel fuel usage is expressed:

Maximum project diesel fuel usage = $X(33,300) + 3,700$, where X equals the number of 1996 and newer equipment divided by the total number of equipment in the fleet and 33,000 is the difference of the maximum gallons permitted for 1996 and newer equipment and the maximum gallons permitted for 1995 and older equipment. For example, if 10 pieces of equipment are used and 3 are 1995 and older and 7 are 1996 and newer, then the ratio of newer equipment to all equipment used is 0.7 ($7/10 = 0.7$). Using

the formula $0.7(33,300) + 3,700$ the project is allowed to use a maximum of 27,010 gallons of diesel fuel over the course of construction.

To ensure that the potential health risk posed by Diesel PM is reduced to less than significant, the bid specifications and construction contract should stipulate the following:

Avoidance Measure 2.

For the entire course of construction, the contractor shall ensure that all diesel-powered equipment used does not exceed the diesel fuel usage limit established in the El Dorado County Air Pollution Control District CEQA Guide. The maximum amount of diesel fuel that can be used is based on the year that the equipment was built.

- The maximum amount of diesel fuel that can be used during the project if all equipment used is 1995 model year or older is 3,700 gallons.
- The maximum amount of diesel fuel that can be used during the project if all equipment used is 1996 model year or newer is 37,000 gallons.
- If a combination of 1995 and older and 1996 and newer equipment is used, then divide the number of 1996 and newer equipment in the fleet by the total number of equipment in the fleet. Multiply that number by 33,300. Add that number to 3,700. The sum is the maximum number of gallons of diesel fuel use permitted.

The El Dorado County AQMD has determined that mass emissions of PM10 do not need to be quantified and may be deemed less than significant (CEQA Guide page 4-3). Adherence to Rules 223 and 223-1 ensure that PM10 impacts would be less than significant.

ROG and NO_x Emissions and Mitigation for Project Operation

The significance threshold for ROG and NO_x is 82 lbs/day each. Table 5.2 (CEQA Guide page 5-3) lists the type and size of projects that are likely to result in significant ROG and NO_x emissions. For mixed-use projects, the impact of each type of land use is determined separately and then combined with the impacts of the other uses. The El Dorado County AQMD requires verification with URBEMIS computer modeling that the mixed-use project would have a less than significant impact if any of the individual land uses are within 20 percent of the values shown on Table 5.2. The project categories in Table 5.2 of the CEQA Guide are not especially detailed and may have been developed prior to the increase in popularity of drive-through pharmacies because this category is not included. Because URBEMIS 2007 includes more specific project categories, ROG and NO_x emissions for project operation were calculated directly, rather than using Table 5.2 to estimate project impacts. The results of the air quality modeling with a comparison with the thresholds of significance are in Table 1. Based on the URBEMIS modeling, the operation of the proposed mixed-use shopping center would have less than significant impacts resulting from ROG and NO_x emissions.

Table 1. Daily ROG and NO_x emissions during project operation.

Source	ROG	NO _x
Operational emissions	24.10	22.58
Area source	0.59	0.32
Total emissions	24.69	22.90
Significance threshold	82	82
Significant emissions	0	0

¹Units for all values are pounds per day.

CO, PM10, and Other Pollutant Air Quality Impacts

ROG and NO_x emissions from project operations are evaluated for significance under CEQA on a daily mass emission basis. CO, PM10, and other pollutants are evaluated for significance by comparison against the applicable national and state ambient air quality standards (AAQS). The El Dorado County AQMD considers emissions of CO, PM10, and other pollutants from project operation, which are subject to the AAQS significance criteria, significant if:

1. The project's contribution by itself would cause a violation of the AAQS; or
2. The project's contribution plus the background level would result in a violation of the AAQS, and either
 - a. A sensitive receptor is located within a quarter-mile of the project, or
 - b. The project's contribution exceeds five percent of the AAQS.

The El Dorado County AQMD considers development projects of the type and size that fall below the significance cut-points in Table 5.2 for ROG and NO_x also to be insignificant for CO and NO₂ emissions (CEQA Guide 6-2). The detailed URBEMIS modeling showed daily ROG and NO_x emissions from project operation to be below the daily significance thresholds of 82 lbs/day each (Table 1). Therefore, the proposed mixed-use shopping center would have less than significant impacts from CO and NO₂ emissions.

The El Dorado County AQMD considers PM10 and SO₂ emissions from development projects not significant if they are of the type and size below the cut-points in Table 5.2 (CEQA Guide page 6-2). The detailed URBEMIS modeling showed daily ROG and NO_x emissions from project operation to be below the daily significance thresholds of 82 lbs/day each (Table 1). Therefore, the proposed mixed-use shopping center would have less than significant impacts resulting from PM10 and SO₂ emissions.

The El Dorado County AQMD considers lead, sulfates, and H₂S less than significant except for industrial sources such as foundries, acid plants, and paper mills (CEQA Guide page 6-2). The proposed project is a mixed-use shopping center. Therefore, no impact will occur resulting from lead, sulfates, and H₂S.

The El Dorado County AQMD assumes that visibility impacts from development projects in the Mountain Counties Air Basin portion of the County are not significant (CEQA Guide page 6-3). Visibility impacts are controlled through state and national regulatory programs governing vehicle emissions, and through mitigation required for ozone precursors and particulate matter for other development projects throughout the County. Therefore, the mixed-use shopping center will not result in any significant visibility impacts.

Evaluation of Toxic Air Contaminants

Toxic air contaminants (TAC) are pollutants that pose a present or potential hazard to human health. TACs are classified as either carcinogenic or noncarcinogenic. The state and federal governments regulate TACs through statutes and regulations that require maximum or best available technologies be incorporated in the source of the pollutants in order to limit emissions. For example, dry cleaning businesses are regulated in their handling and use of perchloroethylene. The California Air Resources Board (CARB) identified asbestos, including naturally occurring asbestiforms, as a carcinogenic TAC in 1986.

Soil in the project area is Auburn silt loam, 2-30% slopes and Auburn very rocky silt loam, 2-30% slopes (Soil Survey of El Dorado Area, Soil Conservation Service 1974). The property is mapped within a quarter mile of an area more likely to contain naturally occurring asbestos (NOA) (El Dorado County Asbestos Review Areas Western Slope County of El Dorado State of California July 2005). Before any project located within a quarter mile of an "Area More Likely to Contain Asbestos" can begin construction, El Dorado County requires property owners/operators to submit a report prepared by a California-registered geologist that documents the presence or absence of NOA. If NOA is detected on-site, then the property owner/operator must prepare an Asbestos Dust Mitigation Plan that describes mitigation measures that will be implemented to limit the potential health risks to a less than significant level. Alternatively, the property owner/operator may assume that NOA is present on the site and prepare an Asbestos Dust Mitigation Plan. With the incorporation of the following avoidance measures, impacts resulting from grading and construction activities related to the eventual development of the proposed project on soil that contains NOA would be considered less than significant.

Avoidance Measure 3.

Prior to the issuance of any grading permit the property owner/operator shall submit to the El Dorado County AQMD a report prepared by a California-registered geologist that documents the presence or absence of NOA. If El Dorado County AQMD agrees that NOA is not present on-site then no additional avoidance measures are required. If El Dorado County AQMD agrees that NOA is present on-site then the property owner/operator shall prepare and implement an Asbestos Dust Mitigation Plan. The Asbestos Dust Mitigation Plan will be reviewed and approved by El Dorado County Environmental Management and AQMD prior to the issuance of a grading permit. The Asbestos Dust Mitigation Plan shall include BMPs for implementing the asbestos dust control measures identified in the El Dorado County Fugitive Dust Prevention and Control and Contingent Asbestos Hazard Dust Mitigation Plan.

-OR-

Avoidance Measure 4.

If presence of NOA is assumed, then the property owner/operator shall prepare and submit to the El Dorado County Environmental Management and AQMD an Asbestos Dust Mitigation Plan prior to the issuance of a grading permit. The Asbestos Dust Mitigation Plan shall include BMPs for implementing the asbestos dust control measures identified in the El Dorado County Fugitive Dust Prevention and Control and Contingent Asbestos Hazard Dust Mitigation Plan.

With implementation of Avoidance Measure 3 or 4, construction of the project would have less than significant impacts resulting from TACs.

Evaluation of Cumulative Impacts

The El Dorado County AQMDs primary criterion for determining whether a project has significant cumulative impacts is whether the project is consistent with an approved plan or mitigation program of District-wide or regional application in place for the pollutants emitted by the project (CEQA Guide page 8-1).

The General Plan Land Use Designation for the parcel is Commercial in the Community Region of El Dorado Hills. The proposed mixed-use shopping center is consistent with the County's General Plan designation. No General Plan amendment is needed.

The Sacramento Regional Ozone Air Quality Attainment Plan (AQAP) was developed for application in the Sacramento Region, including the Mountain Counties Air Basin portion of El Dorado County, to bring the region into ROG and NO_x attainment as required by the federal and California Clean Air Acts. The AQAP assumes annual increases in air pollutant emissions resulting from regional growth. The proposed project would contribute to the annual regional increase in ROG and NO_x emissions within the parameters of the AQAP assumption. The proposed project is consistent with the Sacramento Regional Ozone AQAP for the following reasons (CEQA Guide page 8-2):

1. The proposed development does not require a change in the existing land use designation and projected emissions of ROG and NO_x from the proposed project are equal to or less than the emissions anticipated for the site if developed under the existing land use designation;
2. The proposed mixed-use shopping center is below the “project alone” significance criteria;
3. The Applicant agrees to include applicable emission reduction measures; and
4. The bid specifications and contract will stipulate that the contractor shall comply with all applicable district rules and regulations during construction of the project.

Therefore, contribution of ROG and NO_x to this regional cumulative impact is evaluated as not considerable.

CO is an attainment pollutant in El Dorado County, and local CO concentrations are expected to decline even further in the future as more stringent CO standards for motor vehicles take effect (CEQA Guide page 8-2). The District does not consider CO to be an area-wide or regional pollutant that is likely to have cumulative effects (*ibid.*). Emissions from the proposed project are less than significant. The El Dorado County AQMD considers contributions of CO from projects with less than significant ROG and NO_x emissions to be less than considerable.

The Mountain Counties portion of El Dorado County is nonattainment for the state 24-hour PM10 standard, which dictates the use of a relatively sensitive criterion for identifying cumulative effects on PM10 ambient concentrations. PM10 directly emitted from a project can have area-wide impacts and can be cumulatively significant even if not significant on a project-alone basis (CEQA Guide page 8-3). The County is in attainment for the SO₂ and NO₂ ambient air quality standards, but SO₂ and NO₂ can also contribute to area-wide PM10 impacts through their transformation into sulfate and nitrate particulate aerosols (CEQA Guide page 8-3). Project contribution of PM10, SO₂, and NO₂ are not evaluated as considerable for the following reasons (CEQA Guide page 8-3):

1. The mixed-use shopping center would not exceed the “project alone” significance criteria for these pollutants;
2. The bid specifications and contract will stipulate that the contractor shall comply with all applicable district rules and regulations during construction of the project; and
3. Emissions from the mixed-use shopping center would not be cumulatively significant for ROG, NO_x, or CO based on the criteria set forth above.

TACs are typically localized and do not occur region-wide. Therefore, the El Dorado County AQMD considers project contribution of TAC emissions cumulatively significant if a large development project occurs on contiguous parcels and each one is emitting TAC (CEQA Guide

8-4). The proposed project is not considered large, is not contiguous to another large development project, and TAC emissions would be negligible with implementation of either Avoidance Measure 3 or 4. Therefore, the project would not have a cumulatively considerable impact resulting from emissions of TACs.

Conclusions

The quantitative analysis included an evaluation of ROG, NO_x, CO, PM10, and other pollutants including TAC. The emissions were evaluated for the construction and operation of a mixed-use shopping center. Air quality impacts resulting from the project independently and cumulatively were evaluated as less than significant with the implementation of the following recommendations:

- The bid specifications and construction contract should stipulate compliance with all applicable El Dorado County AQMD Rules including Rule 223 Fugitive Dust.
- To reduce potential impacts resulting from ROG and NO_x, the bid specifications and construction contract should stipulate implementation of Avoidance Measures 1 and 2 in this Air Quality Impacts Evaluation.
- To reduce potential impacts resulting from NO_x, the bid specifications and construction contract should stipulate implementation of Avoidance Measures 3 or 4 in this Air Quality Impacts Evaluation.



Project Lifecycle

Management Analysis



EMSL Analytical, Inc

2235 Polvorosa Ave , Suite 230, San Leandro, CA 94577

Phone: (510) 895-3675 Fax: (510) 895-3680 Email: milpitaslab@emsl.com

Attn: **Dave Sederguist**
Youngdahl Consulting Group
1234 Glenhaven Court
El Dorado Hills, CA 95762

Customer ID: YOUN22
Customer PO: E10042.000
Received: 04/08/10 10:30 AM
EMSL Order: 091003235


Fax: (916) 933-6482 Phone: (916) 933-0633
Project: **E10042.000**
Saratoga Retail Project

EMSL Proj:
Analysis Date: 4/22/2010

Test Report: PLM Analysis of Bulk Samples for Asbestos via EPA 600/R-93/116 Method with CARB 435 Prep (Milling) Level A for 0.25% Target Analytical Sensitivity

Sample	Description	Appearance	Non-Asbestos		Asbestos
			% Fibrous	% Non-Fibrous	% Type
SRP-1 091003235-0001		Brown Non-Fibrous Homogeneous		100.00% Non-fibrous (other)	None Detected
SRP-2 091003235-0002		Brown Non-Fibrous Homogeneous		100.00% Non-fibrous (other)	None Detected
SRP-3 091003235-0003		Brown Non-Fibrous Homogeneous		100.00% Non-fibrous (other)	None Detected
SRP-4 091003235-0004		Brown Non-Fibrous Homogeneous		100.00% Non-fibrous (other)	None Detected

Analyst(s) _____
Rui Cindy Geng (4)



Baojia Ke, Laboratory Manager
or other approved signatory

This report relates only to the samples listed above and may not be reproduced except in full, without EMSL's written approval. This report must not be used by the client to claim product certification, approval, or endorsement by NVLAP, NIST, or any agency of the federal government. EMSL is not responsible for sample collection activities or method limitations. Some samples may contain asbestos fibers below the resolution limit of PLM. EMSL recommends that samples reported as none detected or less than the limit of detection undergo additional analysis via TEM. Samples received in good condition unless otherwise noted.

Samples analyzed by EMSL Analytical, Inc 2235 Polvorosa Ave , Suite 230, San LeandroCA



Attachment 3

Biological Resources



Phase I Environmental Site Assessment



PHASE I ENVIRONMENTAL SITE ASSESSMENT

Vacant Commercial Land

1000 and 1098 Saratoga Way
El Dorado Hills, California 95762

For:

Bolour Associates, Inc.
8383 Wilshire Boulevard, Suite 920
Beverly Hills, California 90211

By:

Environmental Solutions
2601 E. Chevy Chase Dr.
Glendale, California 91206
Ph: 818-243-2656

Handwritten signature of Michael Rezvani.

Michael Rezvani, PE, REPA, CAC
Senior Environmental Professional

June 28, 2017
Project No. ES17-001

INDEX

1.0	SUMMARY.....	1
2.0	INTRODUCTION.....	1
2.1	Definitions.....	1
2.2	Purpose and Scope.....	2
2.3	Limitations, Exceptions and Methodology of Assessment.....	3
2.4	Data Gaps	4
2.5	Reliance	4
3.0	SITE DESCRIPTION.....	5
3.1	Location and Legal Description.....	5
3.2	Site and Vicinity Characteristics.....	5
3.2.1	Surface Characteristics	5
3.2.2	Drainage Patterns/Basins.....	5
3.2.3	Geology.....	6
3.2.4	Hydrogeology	6
3.2.5	Wetlands	6
3.2.6	Earthquake Fault Lines, Epicenters, and Liquefaction.....	7
3.2.7	Methane Zone.....	7
3.3	Structures, Roads and Other Improvements on the Site.....	7
3.4	Current Uses of the Subject Property	7
3.5	Tenant, User, and Owner Information	8
3.6	Historical Uses of the Subject Property.....	9
3.6.1	Sanborn Fire Insurance Maps.....	9
3.6.2	Historical Aerial Photographs.....	9
3.6.3	Topographic Map	11
3.6.4	Environmental Liens.....	11
3.6.5	Title Report	11
3.6.6	Previous Subject Property Inspection Reports	11
3.7	Current Uses of Adjoining Sites	12
3.8	Past Uses of Adjoining Sites.....	12
3.8.1	North	12
3.8.2	South.....	13
3.8.3	East	13
3.8.4	West	13
3.8.5	Southeast.....	13
4.0	RECORDS REVIEW.....	14
4.1	Standard Environmental Record Sources, Federal and State.....	14
4.1.1	Subject Property Environmental Database Summary	14
4.1.2	Adjacent Sites Environmental Database Summary	14
4.1.3	Sites Within 0.125 Miles of the Subject Property	16
4.1.4	Sites Between 0.125 Miles and 0.25 Miles of the Subject Property	17
4.1.5	Sites Located More than 0.25 miles from the Subject Property.....	17

4.1.6	Orphan (Unmapped) Sites	17
4.1.7	County of El Dorado, Environmental Management Division	17
4.1.8	Central Valley Regional Water Quality Control Board	18
4.1.9	Department of Toxic Substances Control (DTSC).....	18
4.1.10	State Water Resources Control Board (GeoTracker)	18
4.1.11	CalEPA Regulated Sites	19
5.0	INFORMATION FROM SITE RECONNAISSANCE	19
5.1	Hazardous Substances Connected with Identified Uses.....	19
5.2	Unidentified Substance Containers.....	19
5.3	Storage Tanks	19
5.4	Hydraulic Equipment	19
5.5	Indications of PCBs	19
5.6	Indications of Solid Waste Disposal.....	20
5.7	Surface Staining.....	20
5.8	Physical Setting Analysis.....	20
5.9	Pipelines	21
6.0	NON-SCOPE ASTM Considerations	21
6.1	Asbestos	21
6.2	Lead Based Paint	21
6.3	Lead Contamination of Drinking Water	21
6.4	Radon.....	21
6.5	Urea-Formaldehyde	21
6.6	Mold.....	22
6.7	Fluorescent Light Tubes.....	22
6.8	Mercury	22
6.9	Vapor Intrusion.....	22
7.0	FINDINGS, OPINIONS, AND RECOMMENDATIONS	22
8.0	REFERENCES.....	22
9.0	SIGNATURE OF ENVIRONMENTAL PROFESSIONALS	24
10.0	QUALIFICATIONS OF ENVIRONMENTAL PROFESSIONALS PARTICIPATING IN THE PHASE I ESA.....	25
11.0	LIST OF APPENDIX SECTIONS.....	28

LIST OF APPENDIX SECTIONS

APPENDIX A Maps, Figures, Additional Information & Documentation

APPENDIX B Site Photographs

APPENDIX C Aerial Photographs

APPENDIX D Radius Profile Report

APPENDIX E Questionnaires

1.0 SUMMARY

Bolour Associates, Inc. (Client) retained Environmental Solutions (ES) to perform a Phase I Environmental Site Assessment (ESA) of the approximately 1.71-acre site (74,488-square feet) located at 1000 and 1098 Saratoga Way, in the City of El Dorado Hills, in the County of El Dorado, California, 95762 referred to herein as the "subject property."

ES has conducted this Phase I ESA in conformance with the scope and limitations of ASTM Practice E1527-13 of the subject property. Any exceptions to or deletions from this practice are described in Section 2.2 of this report. This report also meets the requirements of All Appropriate Inquiries as defined in CERCLA 42, U.S.C. 9601(35) (B). The enclosed report and opinion are based on the intent to finance the subject property. We understand that you will rely on our opinion for such purposes.

This assessment has revealed no evidence of recognized environmental conditions, historical recognized environmental conditions, controlled recognized environmental conditions, or de minimis conditions connected with the subject property. Based on our findings, no further assessment currently appears warranted.

2.0 INTRODUCTION

2.1 Definitions

To assist the reader with the interpretation of this report, ES would like to provide the following definitions of significant ESA terminology as defined by ASTM E1527-13.

Recognized environmental condition

A recognized environmental condition is defined as, "the presence or likely presence of any hazardous substances or petroleum products in, on, or at a Property: (1) due to any release to the environment; (2) under conditions indicative of a release to the environment; or (3) under conditions that pose a material threat of a future release to the environment."

Historical recognized environmental condition

A historical recognized environmental condition is defined as, "a past release of any hazardous substances or petroleum products that has occurred in connection with the Property and has been addressed to the satisfaction of the applicable regulatory authority or meeting unrestricted use criteria established by a regulatory authority, without subjecting the Property to any required controls (for example, Property use restrictions, activity and use limitations, institutional controls, or engineering controls)."

Controlled recognized environmental condition

A *controlled recognized environmental condition* is defined as, "a *recognized environmental condition* resulting from a past release of hazardous substances or petroleum products that has been addressed to the satisfaction of the applicable regulatory authority (for example, as evidenced by the issuance of a no further action letter or equivalent, or meeting risk-based criteria established by regulatory authority), with *hazardous substances* or *petroleum products* allowed to remain in place subject to the implementation of required controls (for example, *property use restrictions, activity and use limitations, institutional controls, or engineering controls*)."

De minimis condition

A *de minimis condition* is defined as, "a condition that generally does not present a threat to human health or the environment and that generally would not be the subject of an enforcement action if brought to the attention of appropriate governmental agencies. Conditions determined to be *de minimis conditions* are not *recognized environmental conditions* nor *controlled recognized environmental conditions*."

Potential environmental concern

A *potential environmental concern* is defined in ASTM E1528-06 as "the possible presence of any hazardous substances or petroleum products on a property under conditions that indicate the possibility of an existing release, a past release, or the threat of a release of any hazardous substances or petroleum products into structures on the property or into the ground, ground water or surface water of the property." According to ASTM E1528-06, this term includes hazardous substances or petroleum products that are also stored and used under conditions in compliance with environmental laws.

2.2 Purpose and Scope

A Phase I ESA is intended to provide a brief description of the subject property, its location and surroundings and to identify, to the extent feasible, associated *recognized environmental conditions, controlled recognized environmental conditions, historical recognized environmental condition, and de minimis conditions* associated with the subject property or surrounding land use and to create a list of the potential human and environmental receptors. The protocol followed for this assessment is in conformance with the requirements of All Appropriate Inquiries as defined in CERCLA 42, U.S.C. 9601(35) (B) and the American Society for Testing and Materials Standard Practice for Environmental Site Assessment for Commercial Real Estate Transactions, ASTM Standard E1527-13. Any exceptions are noted in Section 2.2 – Limiting Conditions and Methodology Used. ES understands that this ESA will be used by Bolour Associates, Inc. to perform due diligence with respect to environmental conditions at the subject property.

2.3 Limitations, Exceptions and Methodology of Assessment

Although this assessment has attempted to identify *recognized environmental conditions*, ES cannot eliminate all uncertainty as to *recognized environmental conditions* regarding the subject property nor represent or warrant that the subject property contains no hazardous substances or petroleum products or other latent conditions beyond those identified through the scope of work identified herein. It should be noted that all Phase I ESAs are inherently limited in the sense that conclusions are drawn and recommendations developed from information obtained from limited research and site evaluation. Other features, conditions, and constituents may have escaped detection due to: (1) the limited scope of this assessment, (2) the inaccuracy of public records, (3) the presence of undetected or unreported environmental incidents, (4) inaccessible areas, and/or (5) deliberate concealment of detrimental information. The Environmental Professional who performed the subject property reconnaissance is not a specialist trained in wetlands delineation and is not a licensed lead based paint inspector/risk assessor. ES accepts no liability for hidden conditions, variations in composition of materials and identification of materials not normally found in construction use. Subsurface conditions were not field investigated as part of this study and may differ from the conditions implied by the surface observations. ES has relied on one or more documents developed by other parties and is not liable for any conclusions drawn using these sources if their findings or procedures were erroneous. Additionally, the passage of time may result in a change in the environmental characteristics at this subject property and surrounding site.

The scope of work for this report did not include testing of electrical equipment for the potential presence of polychlorinated biphenyls or the collection of other environmental samples. The scope of work did not include a detailed assessment of natural hazards such as naturally occurring asbestos, arsenic, radon gas or methane gas, an assessment of the potential presence of radionuclides, an assessment of nonchemical hazards such as the potential for damage from earthquakes or floods, or the presence of endangered species or wildlife habitats. The scope of work for this report did not include an assessment of the environmental compliance status of the subject property, the businesses operating at the subject property, or a health-based risk assessment. The scope of work for this report did not include any wetland studies, indoor air quality assessment, or vapor intrusion assessment beyond that which is required by ASTM 1527-13.

Our professional services have been performed, our findings obtained and our recommendations prepared in accordance with customary principles and practices in the field of environmental science and engineering. The subject property boundaries and other drawings have been compiled from the best available recorded information and have not been verified by a field survey and may therefore vary from actual conditions. All areas of the subject property were visually inspected for this report.

2.4 Data Gaps

In accordance with the ASTM standard, an attempt to confirm the history and use of the subject property was performed from the present back to when the subject property was first developed with any structures or was used for residential, agricultural, commercial, industrial or governmental purposes. Multiple historical sources were consulted to fill in any data gaps dating back to 1937, the first reasonably available information. Information from the subject property owner representative, Mr. Peter Navarra, dated back approximately ten-years to 2007. Aerial photographs with coverage of the subject property were found and reviewed from the years 1937, 1952, 1966, 1972, 1984, 1993, 2005, 2006, 2009, 2010, 2012, and 2016. A USGS topographic map of the subject property from 2012 was reviewed.

Sanborn Fire Insurance Maps with coverage of the subject property were searched but no maps were made for this area. ASTM E1527-13 does not require the environmental professional to undertake a review of recorded land title records or search for environmental liens. This responsibility is placed upon the user. It is ES's understanding that a lender will engage a title company or title professional to undertake a review of reasonably ascertainable recoded land title records and lien records relating to the subject property. Per the scope of work, ES did not obtain recorded land title records or conduct an environmental lien search.

ES requested records for the subject property from the Central Valley Regional Water Quality Control Board. As of the publication of this report, this agency has not responded to our request. Using various resources referenced in this report, ES formed an opinion on the subject property. ES does not anticipate that there are any significant records to be reviewed for the subject property at this agency. If records are received that will alter the conclusions or recommendations of this report, ES will notify the client.

It is the professional opinion of ES that there were no significant data gaps with regards to the ability of ES to identify conditions indicative of releases and threatened releases.

2.5 Reliance

This report was prepared for the sole use and benefit of Bolour Associates, Inc. The information and opinions rendered in this report are for the exclusive use and reliance by Bolour Associates, Inc. ES will not distribute or publish this report without the consent of Bolour Associates, Inc. except as required by law and court order. The information and opinions expressed in this report are given in response to a limited assignment by Bolour Associates, Inc. and should be considered and implemented only in respects to that assignment. The services provided by ES in completing this project have been provided in a manner consistent with normal standards of the profession. This report is not a legal opinion and does not offer warranties or guarantees expressed or implied.

3.0 SITE DESCRIPTION

3.1 Location and Legal Description

The subject property is approximately 1.71-acres and the street addresses as reported by the Client are 1000 and 1098 Saratoga Way, in the City of El Dorado Hills, in the County of El Dorado, California, 95762. The subject property is located on the northwest corner of the intersection of Park Drive and El Dorado Hills Boulevard. Saratoga Way delimits the subject property to the west, El Dorado Hills Boulevard delimits the subject property to the east, ramps to Highway 50 delimit the subject property to the south, and an adjacent site delimits the subject property to the north.

The approximate latitude and longitude near the center of the subject property are 38°39'16.99" north and 121°4'19.10" west, respectively. The subject property is composed of two parcels. The APN numbers for the subject property are 120-690-07 and 120-690-08. The subject property is irregular in shape with the longest dimensions consisting of approximately 200-feet from east to west and 415-feet from north to south.

The subject property was vacant. The owners of the subject property were reported to be Peter L. Navarra. ES was not provided with a legal description of the subject property.

3.2 Site and Vicinity Characteristics

3.2.1 Surface Characteristics

The general topography of the subject property slopes to the east. According to the U.S. Geological Survey (USGS) topographic map, Clarksville California Quadrangle, the finished elevation of the subject property is approximately 650-feet above Mean Sea Level (MSL). The subject property is graded and undeveloped. There are no paved areas on the subject property.

3.2.2 Drainage Patterns/Basins

The subject property is in an area designated as "Zone X" on the FEMA Q3 Flood Insurance Rate Map, subject El Dorado County, map number 06017C0725E, panel number 725, dated September 26, 2008. These areas have been determined to be outside the 0.2% annual chance floodplain. The nearest significant surface water is an un-named creek located approximately 0.17-miles east of the subject property.

There was no industrial wastewater or sanitary sewer discharges from the subject property. Stormwater drainage on the subject property is primarily downward surface percolation. Stormwater from adjacent sites is not expected to enter the subject property under normal conditions. There were no drinking water wells, groundwater monitoring wells, floor drains, clarifiers, sumps, septic system, or french drains noted on the subject property.

3.2.3 Geology

According to “*Geology of the Conterminous U.S. at 1:2,500,000 Scale*,” a digital representation of the 1974 P.B. King and H.M. Beikman Map, the rock stratigraphic unit Geologic Code is Imze, Era is Mesozoic, the System is Lower Jurassic and Upper Triassic and the Series is Lower Mesozoic.

According to the *Web Soil Survey* by the National Resources Conservation Service dated September 21, 2016, the primary soil type at the subject property is Auburn silt loam. The landform setting for this soil is described as hills with a slope of 2 to 30 percent. This soil is well drained and the depth to the water table is more than 80-inches.

3.2.4 Hydrogeology

ES reviewed subsurface data from investigations on a nearby site. The former Wetsel-Oviatt Sawmill was located approximately 3.3-miles south of the subject property. In a report dated October 30, 2008 by AMEC Geomatrix, Inc. entitled “*Third Quarter 2008 Groundwater Monitoring Report*” groundwater was reported to be at a depth of approximately 5.10 to 13.40 feet below ground surface (bgs).

Shallow groundwater generally flows in directions subparallel to the ground surface slopes and under the influence of gravity toward points of discharge such as creeks, swamps, drainage swales, or pumped groundwater wells. Based upon review of the topographic map, the presumed groundwater flow direction in the uppermost water-bearing unit across the subject property would be to the east, towards and unnamed creek located approximately 0.17-miles east of the subject property. East is only the presumed groundwater flow direction and only physical testing can accurately state the true groundwater flow direction.

3.2.5 Wetlands

ES screened the subject property for the presence of suspect wetlands during the site reconnaissance and by reviewing the U.S. Department of the Interior, Fish and Wildlife Service, *National Wetlands Inventory* online map researched on June 21, 2017 and the most recently available topographic map dated 2012. These sources indicated that the subject property is not in an area mapped as a potential wetlands area and there were no mapped bodies of water indicative of possible wetlands on the subject property. During ES’s site reconnaissance, no suspect wetlands areas were observed on the subject property. A wetland delineation was beyond the scope of this assessment. No further assessment is recommended. No further assessment is recommended.

3.2.6 Earthquake Fault Lines, Epicenters, and Liquefaction

A USGS graphic map published in 1975 shows digitized quaternary fault lines in California. This map shows no fault lines located within one-quarter of a mile of the subject property.

The Department of Commerce, National Oceanic and Atmospheric Administration (NOAA) publishes the locations of earthquake epicenters measuring five (5) or greater on the Richter scale. This information was researched and there were no such epicenters reported with one-mile of the subject property.

Liquefaction and earthquake induced landslide area maps have not been generated for the subject property area.

3.2.7 Methane Zone

According to a State OF California, Department of Conservation, Division of Oil, Gas, and Geothermal Resources (DOGGR) Well Finder search, the subject property is not located within an oil field. There were no oil wells depicted on the subject property or adjacent sites.

3.3 Structures, Roads and Other Improvements on the Site

At the time of the subject property reconnaissance, the subject property was vacant, undeveloped except for utilities, and had been graded and cleared of native vegetation. The subject property can be accessed from Saratoga Way.

Electricity and natural gas in the area are supplied by Pacific Gas & Electric (PG&E). Solid waste in the city is provided by El Dorado Disposal. Sewer service is provided by the city municipal system. The supplier of potable water is the El Dorado Irrigation District. In a report entitled, "2016 Water Quality Report" by the El Dorado Irrigation District dated 2017, there were no significant exceedances noted.

3.4 Current Uses of the Subject Property

At the time of the subject property reconnaissance on June 28, the subject property was vacant, undeveloped, had been graded and cleared of native vegetation.

3.5 Tenant, User, and Owner Information

Tenant

There were no tenants on the subject property at the time of the site reconnaissance.

Owner

Mr. Peter Navarra, the subject property owner, filled out an environmental questionnaire dated June 22, 2017. A copy of this form is provided in Appendix E. Mr. Navarra indicated that he had firsthand knowledge of the subject property since approximately 2007. He indicated that he knew of no significant amounts of hazardous or petroleum products used on the subject property. Mr. Navarra marked that he knew of no current or past environmental liens in association with the subject property. He was not aware of any Activity or Use Limitations (ALUs) such as engineering controls, land use restrictions or institutional controls in place or on file under federal, tribal, state or local law. He indicated that he had no knowledge of any Underground Storage Tanks (USTs), Above Ground Storage Tanks (ASTs) or the storage of any hazardous materials or petroleum products on the subject property. Mr. Navarra stated that to the best of his knowledge, there had never been any spills or violations on the subject property in association with hazardous materials or petroleum products. Mr. Navarra was aware of no soil or groundwater contamination on the subject property or on adjacent sites. He wrote that he was not aware of a reduction in the subject property value due to environmental issues. Mr. Navarra wrote that to the best of his knowledge, there was a small office on the subject property approximately 20 to 25-years ago. Mr. Navarra also indicated that Phase I ESA had previously been performed on the subject property with the findings being, "No further study needed." He also indicated that asbestos soil tests had been performed on the subject property with no asbestos found.

User

Mr. Katherine Mah, Operations Associate with Bolour Associates, Inc., the users of this report, filled out an environmental questionnaire dated June 14th Street, 2017. A copy of this form is provided in Appendix E. Ms. Mah indicated that she knew of no significant amounts of hazardous or petroleum products used on the subject property. Ms. Mah marked that she knew of no current or past environmental liens in association with the subject property. She was not aware of any Activity or Use Limitations (ALUs) such as engineering controls, land use restrictions or institutional controls in place or on file under federal, tribal, state or local law. She indicated that she had no knowledge of any Underground Storage Tanks (USTs), Above Ground Storage Tanks (ASTs) or the storage of any hazardous materials or petroleum products on the subject property. Ms. Mah wrote that to the best of her knowledge, there have never been any spills or violations on the subject property in association with hazardous materials or petroleum products. Ms. Mah was aware of no soil or groundwater contamination on the subject property or on adjacent sites. She wrote that she was not aware of a reduction in the subject property value due to environmental issues. Ms. Mah wrote that she has no historical knowledge regarding the subject property.

3.6 Historical Uses of the Subject Property

Historical information was obtained from aerial photographs (1937, 1952, 1966, 1972, 1984, 1993, 2005, 2006, 2009, 2010, 2012, and 2016) presented in Appendix C and a USGS Topographic maps (2012) presented in Appendix A. Information from the subject property owner representative, Mr. Peter Navarra, dated back approximately ten-years to 2007.

The subject property appears to have never been developed and has had no obvious historical uses.

There were no past tenants that would be expected to have used significant quantities of hazardous materials or petroleum products and there were no records of such uses. There were no records of spills, releases, or violations from former subject property tenants. There were no historical recognized environmental conditions or controlled recognized environmental conditions identified in the historical documents reviewed.

3.6.1 Sanborn Fire Insurance Maps

Sanborn Fire Insurance Maps with coverage of the subject property area were searched but no maps were generated in the subject property area.

3.6.2 Historical Aerial Photographs

The following are descriptions of the historical aerial photographs taken at the subject property and reviewed by ES. This review has been supplemented by geographic place names and other data obtained in other assessment activities of this ESA. These photographs can be found in Appendix C. These photographs were used for descriptions in other sections of this report.

1937

In the 1937 aerial photograph, the subject property and adjacent sites and surrounding area appeared to have been undeveloped, had no obvious use or were possibly ranch land. There were no adjacent roads and only a small shed on the east adjacent site. There were no obvious signs of the storage or disposal of hazardous materials on the subject property in this photograph.

1952

There were no changes in the subject property or the adjacent sites in the 1952 aerial photograph from the 1937 photograph. The shed on the east adjacent site was gone. There were no obvious signs of the storage or disposal of hazardous materials on the subject property in this photograph.

1966

In the 1966 aerial photograph, the subject property appeared to have been cleared and vacant. El Dorado Hills Boulevard and portions of Saratoga Way had been graded and paved. The north adjacent site was vacant with a small commercial building and parking lot beyond. The south adjacent site was developed with the freeway ramps and freeway beyond. The east adjacent sites, across El Dorado Hills Boulevard, were vacant except for a commercial building on the south end. What appeared to be a smaller gasoline station than currently exists was observed on the southeast adjacent site, across El Dorado Hills Boulevard and Park Drive. There were no obvious signs of the storage or disposal of hazardous materials on the subject property in this photograph.

1972 and 1984

With a few exceptions, there were no significant differences on the subject property or adjacent sites in the 1972 and 1984 aerial photographs from the 1966 photograph. In 1972 the shopping plaza on the east adjacent site, across El Dorado Hills Boulevard, was being graded and the existing gasoline station on the south end was also visible. The residential developed west of the subject property, across Saratoga Way, was first visible in the 1984 photograph. There were no obvious signs of the storage or disposal of hazardous materials on the subject property in these photographs.

1993

In the 1993 aerial photograph, the subject property remained cleared and vacant. The north adjacent site was vacant and had been cleared of the former small commercial building and parking. The south adjacent site was developed with the freeway ramps and freeway beyond. The east and southeast adjacent sites, across El Dorado Hills Boulevard, were developed with the existing gasoline stations and shopping plaza parking lot. There were no obvious signs of the storage or disposal of hazardous materials on the subject property in this photograph.

2005, 2006, 2009, 2010, 2012, and 2016

With a few exceptions, there were no significant differences on the subject property or adjacent sites in the 2005, 2006, 2009, 2010, 2012, and 2016 aerial photographs from the 1993 photograph. Saratoga Way was paved along the west subject property border between 2005 and 2006. The north adjacent site was developed as it currently exists between 2010 and 2012. There were no obvious signs of the storage or disposal of hazardous materials on the subject property in these photographs.

3.6.3 Topographic Map

The 7.5-minute topographic map from 2012, Clarksville Quadrangle, showed the subject property and surrounding area as vacant or developed using house omission tint indicating dense urban development. There were no obvious signs of the storage or disposal of hazardous materials on the subject property in this map. This map is presented in Appendix A.

3.6.4 Environmental Liens

No environmental liens were found during this investigation. The subject property was not listed in the search of the Federal NPL Liens database. The subject property owner stated that there were no environmental liens on the subject property. For there to be an environmental lien against the subject property, it must be a suspected, or confirmed, contributor to subsurface contamination. Research conducted for this report did not find any uses that would have contributed to subsurface contamination on the subject property and no regulatory agencies identified it as such.

3.6.5 Title Report

It was not in the scope of work for ES to obtain a Title report for the subject property. The Client did not provide ES with a Title report for review.

3.6.6 Previous Subject Property Inspection Reports

The Client did not provide any previous inspection reports or Phase I Environmental Site Assessments for the subject property. Mr. Peter Navarra, the subject property owner, stated that a Phase I ESA had previously been performed on the subject property with the findings being, "No further study needed." He also indicated that asbestos soil tests had been performed on the subject property with no asbestos found. ES was not provided with these reports by the publication date of this report.

3.7 Current Uses of Adjoining Sites

Current uses of the immediately adjacent sites and their addresses as noted on the buildings or researched on-line are as follows:

- North – Paved parking lot followed by a Walgreen's drug store; 8230 Saratoga Way;
- East – El Dorado Hills Boulevard followed by a parking lot for Raley's supermarket shopping center at 3965 Park Drive and Just ATM's and a Shell gasoline station at 1021 Saratoga Way;
- Southeast – El Dorado Hills Boulevard and Park Drive followed by a 76 gasoline and service station;
- South – Highway 50 ramps followed by Highway 50;
- West – Saratoga Way followed by residential buildings; 3901-3915 Hills Court and 3881-3891 Scenic Court.

Based on observations and research, there is a low likelihood that a recognized environmental condition exists at the subject property because of the current adjacent land use to the west and south. ES did not detect obvious indications that these adjacent sites have Underground Storage Tanks (USTs) or have been identified as a business that would involve the use of significant quantities of hazardous materials.

The north, east, and southeast adjacent sites utilize hazardous materials and/or petroleum products and are discussed in more detail below in Section 4.1.2.

3.8 Past Uses of Adjoining Sites

3.8.1 North

Historical sources indicated that the site adjacent to and north of the subject property was undeveloped in 1937. Between 1952 and 1966, this site has been cleared and immediately adjacent to the north of the subject property remained vacant. Between these years a small commercial building and paved parking lot were developed beyond. This building and parking lot were cleared between 1984 and 1993. This site remained vacant until the existing Walgreens and paved parking lot were developed between 2010 and 2012.

There were no indications from historical sources indicating that the subject property has been impacted from the north adjacent site. This site was listed in one or more environmental databases. Specific information regarding hazardous materials or petroleum products on this site is discussed below in Section 4.1.2.

3.8.2 South

Historical sources indicated that the site adjacent to and south of the subject property was undeveloped in 1937. The ramps to Highway 50 with Highway 50 beyond were developed between 1952 and 1966.

There were no signs of the storage or disposal of hazardous materials on the south adjacent site in the historical information reviewed. There were no indications from any historical sources that the subject property has been impacted from this adjacent site.

3.8.3 East

Historical sources indicated that the sites adjacent to and east of the subject property, across El Dorado Hills Boulevard, were undeveloped in 1937 except for a small shed. The shed had been removed by 1952. Between 1952 and 1966, this area was vacant except for a commercial building on the south end where the current day gasoline station exists. Between 1966 and 1972, the commercial building had been replaced by the existing gasoline station and the shopping plaza was partially developed. Between 1984 and 1993, the parking lot and shopping plaza were developed as they currently exist.

These sites were listed in one or more environmental databases. Specific information regarding hazardous materials or petroleum products on these sites is discussed below in Section 4.1.2.

3.8.4 West

Historical sources indicated that the sites adjacent to and west of the subject property, across Saratoga Way, were undeveloped in 1937. These sites were developed with the existing residential developments between 1972 and 1984.

There were no signs of the storage or disposal of hazardous materials on the west adjacent sites in the historical information reviewed. There were no indications from any historical sources that the subject property has been impacted from these adjacent sites.

3.8.5 Southeast

Historical sources indicated that the site adjacent to and southeast of the subject property, across El Dorado Hills Boulevard and Park Drive, was undeveloped in 1937. Between 1952 and 1966, a small gasoline station was developed on this site. Between 1984 and 1993, this site was redeveloped with the existing gasoline station.

This site was listed in one or more environmental databases. Specific information regarding hazardous materials or petroleum products on this site is discussed below in Section 4.1.2.

4.0 RECORDS REVIEW

4.1 Standard Environmental Record Sources, Federal and State

A Federal, State and Local Radius Profile Report from Environmental Data Resources, Inc. dated June 15, 2017 was reviewed by ES. The radius report, found in Appendix D, contains records of registered sites surrounding the subject property for the classifications and distances as required by ASTM Practice E1527-13. Descriptions of each database, their source, and publication dates are detailed in this appendix section.

4.1.1 Subject Property Environmental Database Summary

The subject property was not listed in any of the databases searched.

When ordering the database, ES misinterpreted the addresses provided by the client to be a spread of numbers instead of individual numbers. As a result, the southeast adjacent site at 1020 Saratoga Way, across El Dorado Hills Boulevard and Park Drive, was listed as the subject property. Instead, the listing for the site at 1020 Saratoga Way will be discussed in this report as the southeast adjacent site.

4.1.2 Adjacent Sites Environmental Database Summary

The adjacent sites to the west and south were not listed in any of the databases searched.

North Adjacent Site

Walgreens #12840 at 8230 Saratoga Way is located adjacent to the north and crossgradient of the subject property. This site was listed in the FINDS, ECHO, and CUPA listings databases. This site generates small quantities of hazardous waste and/or petroleum products for off-site disposal or recycling since 2013. The quantities of wastes make this tenant a conditionally exempt generator. ES performed additional research regarding this site as published by CalEPA. This site did not report any releases or violations. There is a low likelihood that a recognized environmental condition exists at the subject property due to this site for the following reasons: its location crossgradient from the subject property; only small quantities of wastes have been generated; there were no records of spills, releases, or violations on this site; and there were no records of USTs or ASTs on this site. No further action is recommended regarding this site.

East Adjacent Site

Raley's Inc. at 3965 and 3935 Park Drive is located adjacent to the east of the subject property, across El Dorado Hills Boulevard, and downgradient of the subject property. This site was listed in the RCRA-SQG and CUPA Listings database. This site generates small quantities of hazardous waste and/or petroleum products for off-site disposal or recycling. ES performed additional research regarding this site as published by CalEPA. Chemicals identified at this site, and the maximum quantity on site at any one time, included: refrigerant gasses (4,999-pounds), carbon dioxide (2,599-cubic feet), helium (2,599-cubic feet), and propane (999-pounds). During an inspection in 2016, this tenant was issued violations for the lack of proper employee training and for not submitting a Hazardous Materials Release Response Plan (HMRRP). There were no reports of violations indicating that a release had occurred on this site. There is a low likelihood that a recognized environmental condition exists at the subject property due to this site for the following reasons: its distance from the subject property, its location downgradient from the subject property; only small quantities of wastes have been generated; there were no records of spills or releases on this site; and there were no records of USTs or ASTs on this site. No further action is recommended regarding this site.

East Adjacent Site

Shell Service Station/El Dorado Hills Shell/Tooley Oil Company/Swanson's Cleaners at 1021 Saratoga Way, is located adjacent to the east, across El Dorado Hills Boulevard, and downgradient of the subject property. This site was listed in the RCRA-SQG, UST, HAZNET, CUPA Listings, Historic Auto Stations, and Historic Cleaners databases. This site generates small quantities of hazardous waste and/or petroleum products for off-site disposal or recycling. This site is an active gasoline with multiple USTs and was a drycleaner in at least 1993 and 1994.

ES performed additional research regarding this site as published by CalEPA. Listed hazardous materials and petroleum products on this site were consistent with a gasoline station and included diesel fuel. Liquid was observed at the bottom of several fill sumps and this facility had been cited during inspections in 2009, 2010, 2011, 2012, 2013, 2014, 2015, and 2016. This was deemed a Class 2 Recalcitrant Violation. The sumps are required to remain free and clear of all liquid and debris. The liquid was removed by the service technician during the inspection and the site was returned to compliance on April 6, 2016. There were no reports of spills or other violations.

There is a low likelihood that a recognized environmental condition exists at the subject property due to this site for the following reasons: because of its distance from the subject property; its location downgradient from the subject property; only small quantities of wastes have been generated; there were no records of solvent waste generated at this location; and there were no records of spills or releases on this site. No further action is recommended regarding this site.

East Adjacent Site

Swanson's Cleaners at 3919 Park Drive is located adjacent to the east, across El Dorado Hills Boulevard, and downgradient of the subject property. This site was listed in the Historic Cleaners database. This tenant has existed in this location from at least 2002 through 2014. There is a low likelihood that a recognized environmental condition exists at the subject property due to this site for the following reasons: because of its distance from the subject property; its location downgradient from the subject property; there was no records of solvent waste generated at this location; and there were no records of spills, releases, or violations on this site. No further action is recommended regarding this site.

Southeast Adjacent Site

Union Service Station/Norris Enterprises/Tosco Corporation/El Dorado Hills Union Station/El Dorado Hills Carwash at 1020 Saratoga Way is located adjacent to the southeast, across El Dorado Hills Boulevard and Park Avenue, and downgradient of the subject property. This site was listed in the RGA LUST, Historic Auto Stations, UST, HAZNET, FINDS, LUST, SWEEPS UST, HIST UST, and CUPA Listings databases. This site generates small quantities of hazardous waste and/or petroleum products for off-site disposal or recycling. This site is an active gasoline station with multiple USTs. This site had a release of gasoline that impacted soil discovered in 1987. Testing and/or remediation have been performed on this site and its status as of 1991 has been closed. There is a low likelihood that a recognized environmental condition exists at the subject property due to this site for the following reasons: because of its distance from the subject property; its location downgradient from the subject property; it is located at a lower elevation and contamination is therefore not likely to migrate to the subject property; the release had been limited to the soil and is therefore not anticipated to migrate to the subject property; and the site status has been closed with remedial action completed or deemed unnecessary. No further action is recommended regarding this site.

4.1.3 Sites Within 0.125 Miles of the Subject Property

El Dorado Hills Golf Corp at 3864 Park Drive is located approximately 457-feet northwest and crossgradient of the subject property. This site was listed in the UST database. This site has three petroleum product USTs; a 1,000-gallon gasoline UST, a 550-gallon diesel UST, and a 550-gallon gasoline UST. The tanks were installed in approximately 1989. There is a low likelihood that a recognized environmental condition exists at the subject property due to this site for the following reasons: because of its distance from the subject property; its location crossgradient from the subject property; and there were no records of spills or releases on this site. No further action is recommended regarding this site.

Richardo Arts at 3941 Park Drive is located approximately 619-feet east and downgradient of the subject property. This site was listed in the Historic Auto Stations databases. This site was a gasoline service station in at least 2011 and 2012. There is a low likelihood that a recognized environmental condition exists at the subject property due to this site for the following reasons: because of its distance from the subject property; its location downgradient from the subject property; and there were no records of spills or releases on this site. No further action is recommended regarding this site.

4.1.4 Sites Between 0.125 Miles and 0.25 Miles of the Subject Property

CVS Pharmacy #3909 at 4560 Post Street is located approximately 1,254-feet southeast and downgradient of the subject property. This site was listed in the CUPA Listings database. This site generates small quantities of hazardous waste and/or petroleum products for off-site disposal or recycling. There is a low likelihood that a recognized environmental condition exists at the subject property due to this site for the following reasons: because of its distance from the subject property; its location downgradient from the subject property; only small quantities of wastes have been generated; there were no USTs or ASTs on this site; and there were no records of spills or releases on this site. No further action is recommended regarding this site.

4.1.5 Sites Located More than 0.25 miles from the Subject Property

Russel Ranch Elementary at 375 Dry Creek Road is located approximately 4,925-feet west, southwest and upgradient of the subject property. This site was listed in the ENVIROSTOR database. Studies were performed on this site in preparation for the development, or additions to, an elementary school. There is a low likelihood that a recognized environmental condition exists at the subject property due to this because of its distance from the subject property and there were no records of spills or releases on this site. No further action is recommended regarding this site.

4.1.6 Orphan (Unmapped) Sites

Orphan (unmapped) sites indicated in the radius report were reviewed to determine their locations relative to the subject property. These sites were not found to be near the subject property or their location could not be determined. Based upon ES's area reconnaissance, types of regulatory listings identified for the orphan facilities, and conditions typical of the identified facilities activities, the orphan facilities were not considered suspect *recognized environmental conditions* to the subject property.

4.1.7 County of El Dorado, Environmental Management Division

ES requested to review records for the subject property from the County of El Dorado, Environmental Management Division (EMD). Ms. Donna stated in an e-mail dated June 21, 2017 that they searched their records and did not have any CUPA files for the subject property.

4.1.8 Central Valley Regional Water Quality Control Board

ES requested to review records for the subject 1000 and 1098 Saratoga Way from the Central Coast Regional Water Quality Control Board. As of the publication of this report, this agency had not responded to our request. Using other resources referenced in this report, ES formulated an opinion on the subject property. ES does not anticipate that there are any significant records to be reviewed for the subject property at this agency that would change our opinion. If records are received that will alter the conclusions or recommendations of this report, ES will notify the client.

4.1.9 Department of Toxic Substances Control (DTSC)

DTSC Files

ES requested information on file for the subject property from the Department of Toxic Substances Control (DTSC). Ms. Jan Pappararo, Regional Records Coordinator, wrote in a letter dated June 20, 2017 that after a thorough review of their files, they have found no records that exist pertaining to the subject property.

Generator Information Services Section

The letter from Ms. Pappararo did not indicate that their Generator Information Services Section had any manifests that were generated from the subject property.

EnviroStor

ES searched for the subject property and adjacent sites on the EnviroStor website published by the DTSC. This website contains listings of Federal Superfund sites, State Response sites, Voluntary Cleanup sites, School Cleanup sites, Evaluation sites, School Evaluation sites, Military Evaluation sites, Tiered Permit sites, Corrective Action sites, Operating Permit sites, Post Closure Permit sites, and Non-Operating Permit sites. The subject property and adjacent sites were not listed on the EnviroStor website.

4.1.10 State Water Resources Control Board (GeoTracker)

ES searched for the subject property and adjacent sites on the GeoTracker website published by the State Water Resources Control Board. This site contains listing of DTSC cleanup sites, other cleanup sites, LUST sites, UST sites, land disposal sites, military sites, and DTSC Disposal Permit sites. The subject property and adjacent sites to the north, east, south, and west were not listed on the GeoTracker website. Information on the southwest adjacent site, across Saratoga Way and Park Drive, is discussed above in Section 4.1.2.

4.1.11 CalEPA Regulated Sites

ES searched for the subject property and adjacent sites on the CalEPA Regulated Site Portal. This site combines data about environmentally regulated sites and facilities in California. These activities include hazardous materials and wastes, state and federal cleanups, impacted ground and surface waters, and toxic materials. The subject property and adjacent sites south and west were not listed in the CalEPA Regulated Site Portal. Information published for the north, east, and southeast adjacent site are discussed above in Section 4.1.2.

5.0 INFORMATION FROM SITE RECONNAISSANCE

5.1 Hazardous Substances Connected with Identified Uses

An unaccompanied site reconnaissance of the subject property was performed on June 28 by Mr. Doug Kochanowski, Biologist and Project Manager that included a walk of the subject property to determine the presence of hazardous materials and environmental conditions. Mr. Kochanowski is an Environmental Professional as defined by ASTM E1527-13 and 40 CFR §312.10(b). All areas of the subject property were inspected as part of this investigation.

There were no signs of hazardous materials being used or stored on the subject property.

5.2 Unidentified Substance Containers

There were no unidentified substance containers observed on the subject property.

5.3 Storage Tanks

No USTs, ASTs, or clarifiers were noted on the subject property at the time of the subject property reconnaissance.

5.4 Hydraulic Equipment

There were no above or below-grade hydraulic lift systems observed on the subject property.

5.5 Indications of PCBs

There were no pad-mounted transformers, pole-mounted transformers, ballasts, or hydraulic lift systems located on the subject property.

5.6 Indications of Solid Waste Disposal

There was no evidence observed of buried drums, buried containers, free liquids, odors, unusual depressions, or excavations that would indicate solid waste disposal activity on the subject property. There was no surface evidence of spills, releases, or illegal disposal noted during the subject property reconnaissance.

Several areas of the subject property appeared to have occupied by fill material. Using a review of aerial photographs taken of the subject property and published by Google Earth, it was determined that this fill appeared between 2010 and 2011 when the subject property was being graded. ES asked the subject property owner representative, Mr. Peter Navarra, about this fill. Mr. Navarra stated that, "The fill was in fact stockpiled when we did the grading. It is for "backfill" for the 8' tall retaining wall at the southeast corner, next to the fill. There was no imported fill on any of the property. That stockpile is from the site itself and is native soil." This confirmed ES's opinion and therefore, there is no fill on the subject property from an unknown source.

5.7 Surface Staining

There was no evidence noted of discolored soils, odors or surface staining on the subject property during the site reconnaissance. There was no evidence of sparse, stressed, or dead vegetation (from other than insufficient water). There was no visual evidence of improper handling or disposal of hazardous chemicals or materials on the grounds of the subject property.

5.8 Physical Setting Analysis

The subject property is in an area surrounded by commercial and residential developments. The area around the subject property began to significantly develop in the 1970s.

There were no indications that the subject property or any of the sites adjacent to the subject property have been affected by the presence of oil or natural gas deposits. According to the California Department of Conservation Field and Wells Map from 2001, the subject property is not located in the proximity of an oil or gas field.

State of California, Department of Conservation, Division of Oil, Gas and Geothermal Resources (DOGGR) on-line, digital database, *Oil Well Finder* map was reviewed which contains the most current information on oil well locations. According to this map there were no oil wells located on the subject property or adjacent sites.

5.9 Pipelines

ES reviewed the online National Pipeline Mapping System published by the Pipeline and Hazardous Materials Safety Administration, a division of the Department of Transportation. According to this agency, there were no pipelines mapped on the subject property.

6.0 NON-SCOPE ASTM CONSIDERATIONS

6.1 Asbestos

The subject property was undeveloped at the time of the site reconnaissance, therefore, no suspect asbestos containing materials were noted on the subject property.

6.2 Lead Based Paint

The subject property was undeveloped at the time of the site reconnaissance; therefore, no suspect lead based paint was noted on the subject property.

6.3 Lead Contamination of Drinking Water

The condition of the drinking water at the subject property is unknown; the subject property was undeveloped at the time of the subject property reconnaissance.

6.4 Radon

Based on the results of the State of California Department of Health Services' 1990 California Statewide Radon Survey, the U.S. Environmental Protection Agency (U.S. EPA) lists subject El Dorado County as being in Radon Zone 2. Zone 2 areas have a predicated average indoor radon screening potential of between 2.0 picocuries per liter (pCi/L) and 4.0 pCi/L. The level at which the U.S. EPA considers radon levels to be unhealthy is 4.0 pCi/L in residential structures.

There can be extreme variations of indoor radon levels within a local area based upon geologic, soil structure and building characteristics. The EPA recommends testing as the definitive method in determining the radon level within a specific structure. Radon testing was not part of this project's scope of work.

6.5 Urea-Formaldehyde

The subject property was undeveloped at the time of the site reconnaissance; therefore, no suspect urea-formaldehyde containing materials were noted on the subject property.

6.6 Mold

The subject property was undeveloped at the time of the site reconnaissance, therefore, no molds that could potentially affect indoor air quality were present.

6.7 Fluorescent Light Tubes

The subject property was undeveloped at the time of the site reconnaissance, therefore, there were no fluorescent light tubes identified on the subject property.

6.8 Mercury

The subject property was undeveloped at the time of the site reconnaissance, therefore, no mercury containing components were identified on the subject property.

6.9 Vapor Intrusion

Based on a review of agency records, historical documents, and current site uses, there were no onsite sources identified that had the potential to have created a vapor intrusion issue on the subject property. There were no offsite properties identified in the database research that had an open release of petroleum hydrocarbons within 528-feet (one-tenth of a mile (0.1-miles)) upgradient, 165-feet crossgradient, or 100-feet downgradient of the subject property. There were no offsite properties identified in the database research that had a documented release of other chemicals, such as VOCs, identified within 1,760-feet (one-third of a mile (1/3-mile)) upgradient, 365-feet crossgradient, or 100-feet downgradient of the subject property. It should be noted that ES was not contracted to perform an assessment of the subject property in accordance with ASTM Standard E2600 nor does this assessment meet the requirements of said standard.

7.0 FINDINGS, OPINIONS, AND RECOMMENDATIONS

This assessment has revealed no evidence of recognized environmental conditions, historical recognized environmental conditions, controlled recognized environmental conditions, or de minimis conditions in connection with the subject property.

8.0 REFERENCES

Aerial Photographs, EDR Collection; 1937, 1952, 1966, 1972, 1984, 1993, 2005, 2006, 2009, 2010, 2012, and 2016.

California Statewide Radon Survey. 1990. California Department of Health Services.

EnviroStor website, Department of Toxic Substances Control, June 28, <http://www.envirostor.dtsc.ca.gov/public>.

Federal Emergency Management Agency (FEMA) on-line "Flood Map Service Center" 06017C0725E, panel number 725, September 26, 2008: <https://msc.fema.gov/portal/search>.

GeoTracker website, State Water Resources Control Board, June 28, <http://geotracker.waterboards.ca.gov>.

CalEPA Regulated Site Portal, California Environmental Protection Agency, June 28, <https://siteportal.calepa.ca>.

Sanborn Fire Insurance Maps, The Sanborn Library, LLC; no coverage found for the subject property.

National Pipeline Mapping System, Pipeline and Hazardous Materials Safety Administration, Department of Transportation, June 28.

The EDR Radius Map Report with GeoCheck, Environmental Data Resources, Inc., June 15, 2017.

Digitized quaternary fault lines, United State Geological Survey (USGS), 1975.

Oil Well Finder, State of California, Department of Conservation, Division of Oil, Gas and Geothermal Resources, Online Mapping, June 28, <http://www.conservation.ca.gov/dog/Pages/Wellfinder.aspx>.

United States Geological Survey Topographic Map, 2012, *Clarksville California Quadrangle*.

National Wetlands Inventory, Wetlands Mapper, U.S. Department of the Interior, Fish and Wildlife Service, June 21, 2017, <http://www.fws.gov/wetlands/Data/Mapper.html>.

2016 Water Quality Report, El Dorado Irrigation District, 2017.

Web Soil Survey, National Resources Conservation Service, September 21, 2016, <http://websoilsurvey.nrcs.usda.gov/app/>.

Third Quarter 2008 Groundwater Monitoring Report, AMEC Geomatrix, Inc., October 30, 2008.

9.0 SIGNATURE OF ENVIRONMENTAL PROFESSIONALS

The undersigned certifies that the professional services have been performed, our findings obtained and our recommendations have been prepared in accordance with customary principles and practices in the field of environmental science and engineering. ES has acted in good faith and has no relationship with sellers, buyers or agents of the subject property. There have been no conflicts of interest involved in the drawing of conclusions, which have been based solely on materials reviewed and visual inspections performed by ES. The undersigned declares that to the best of our professional knowledge and belief, we meet the definition of Environmental Professional as defined in 40 CFR 312 Section 312.10. We have the specific qualifications based on education, training, and experience to assess a subject property of the nature, history and setting of the subject property. We have developed and performed the all appropriate inquiries in conformance with the standards and practices set forth in 40 CFR Part 312 with any exceptions noted in Section 2.2 - Limitations, Exceptions and Methodology of Assessment.

Prepared and reviewed by:



Douglas B. Kochanowski
Biologist and Project Manager
CHMM (#9970), CAC (#99-2699)



Prepared and reviewed by:



Michael Rezvani, PE, REPA #554617, CAC#93-1225
Senior Environmental Consultant

10.0 QUALIFICATIONS OF ENVIRONMENTAL PROFESSIONALS PARTICIPATING IN THE PHASE I ESA

Michael Rezvani **PE, REPA, CAC (Senior Environmental Consultant)**

Professional Experience:

Michael Rezvani has been directly involved with various aspects of the environmental engineering and consulting industry for over 33 years (since 1982). As the principal officer of The Environmental Solutions, he actively continues to develop and execute new environmental projects and sustains his lasting relationships with his older clients. He is knowledgeable in understanding the intent and the importance of environmental site assessments (phase I and phase II), subsurface soils-testing and soil-gas surveys, asbestos consulting services, physical risk assessments, indoor air quality testing, emission testing, lead surveys and hazard mitigation monitoring. He involves himself personally in the daily activities and correspondences of his projects. He is uniquely qualified when it comes to making sense out of an overwhelming amount of technical data and simplifying the results into an understandable form for his clients. He has performed hundreds of "phase I and phase II" environmental site assessments since 1988 and specifically prior to the issuance of the current ASTM standards.

He has uniquely designed and personally managed major construction and/or demolition projects involving asbestos and lead abatement. He has been conducting asbestos and lead awareness classes since 1990. He is unique in his ability to educate his clients about a given environmental or geotechnical problem and involving them in the step by step process of mitigation. He creates a sense of personal trust and transparency in his execution of a given environmental project. His litigation experience as an expert witness which stems from many years in the consulting industry is further exemplified by his personal participation as a key part of several defense teams for his clients in environmental related law suits. He has testified as an expert witness at the Superior Court of Los Angeles and in out-of-court settlements for environmental mitigation cases. His knowledge, common sense and uniquely simple approach to interpret the intent of the environmental regulations have assisted legal teams to succeed in several significant cases.

In the late 1980's he performed over 10 million square feet of EPA/AHERA asbestos surveys and provided the documentation for the associated EPA management plans for the schools (K-12) throughout the central and western parts of the United States. In the mid 1980's, he performed the original volumetric testing and damage assessment of the underground storage tanks (USTs) in Southern and Central California following the US EPA issuance of the Subtitle I & II of RCRA. He later managed the subsequent phase II assessment and the removal of the USTs.

In the early 1980's, and on behalf of Halliburton's subsidiary, Analytical Inspection Inc., he utilized his radiography and radiation training to coordinate and performed the radiographic inspections of the Louisiana and Texas off-shore production platforms for determination of internal erosion throughout the Gulf of Mexico. He worked under direct supervision of the Louisiana Chief Radiation Safety Officer (RSO), Lloyd Anderson.

Education:

Bachelor of Science Industrial Technology, University of Louisiana, 1982
Bachelor of Science Civil Engineering, University of Louisiana, 1982
EPA-NIOSH Microscopy, University of Southern California, 1989

Registrations and Certifications:

Registered Environmental Property Assessor
Certified Asbestos Consultant
Certified UST Assessor
Certified EPA/NIOSH 582
Certified EPA Hazardous Waste Operations
Certified Level II Radiographer

Doug Kochanowski
CHMM, CAC (Biologist and Project Manager)

Professional Experience:

Mr. Kochanowski has been performing Phase I Environmental Site Assessments (ESAs) for over 29 years and is considered an industry expert. The environmental consulting profession was in its infancy when he performed his first ESA. Over the past two decades, Mr. Kochanowski has performed ESAs on almost every type of real property in over ten different states and in Europe. This includes military bases, medical facilities, high-rise office buildings, learning institutions, factories, shopping malls and plazas, gasoline stations, industrial parks, vacant land, agricultural land, housing tracks, multifamily developments, and government facilities. His wide array of experience has made him a key component of complex ESAs and his expertise is sought after by a wide variety of clients and other consulting firms. His practical approach and comprehensive knowledge of the ASTM standards result in ESAs that are accurate, comprehensive, and address environmental issues with a common-sense approach.

Some ESAs must make recommendations for subsurface testing, also referred to as Phase II's. Mr. Kochanowski's extensive ESA portfolio has lead him to a perform Phase II's at a variety of locations and property types for as long as he has been in the industry. His Phase II experience includes soil testing, groundwater testing and modeling, landfill leachate testing, and soil vapor studies. Where contamination has been identified in a Phase II, Mr. Kochanowski has worked with clients to remedy the situation. He has implemented remedial systems for contaminated soil and groundwater. He has also assisted clients in obtaining regulatory closures of releases without the need for remediation.

For as long as Mr. Kochanowski has been writing ESAs and performing Phase II's, he has been performing asbestos testing and consulting. Mr. Kochanowski performs asbestos surveys, develops removal specifications and drawings, writes Operations and Management (O&M) Plans, and performs contractor observation and air monitoring during abatement projects. His asbestos experience includes schools, nuclear facilities, universities, airports, hospitals, military bases, shopping malls, high-rise office buildings, industrial complexes, port facilities, apartments and single-family homes. Mr. Kochanowski was the Manager and Facility Security Officer (FSO) for a high-profile asbestos survey, air monitoring and abatement project of the White House, Washington D.C. His AHERA survey experience includes inspecting over eight million square feet of building space for school districts in California, Kansas, New Mexico and Tennessee.

Mr. Kochanowski has teaching experience including OSHA 1910.120 HAZWOPR, Confined Space Entry, and asbestos awareness classes. He has served as Secretary on the Board of Directors and is a founding father for the SoCal ACHMM chapter. In the past, he has served on the technical committee for a Local Emergency Planning Commission (LEPC) and was elected Secretary on the Board of Directors for the Rhine-Main Post of the Society of American Military Engineers (SAME). He has managed several large IDT contracts for the European District Corps of Engineers, working at over twenty bases in Germany and Spain. Projects included remediation design, soil and groundwater sampling, landfill leachate testing, asbestos surveys, air monitoring, and radon testing.

Education:

Bachelor of Science, Biology, San Diego State University, 1987.
Continuing Education; Strategies for Conducting Meaningful Microbial IAQ Investigations/American Indoor Air Quality Council

Registrations and Certifications:

CHMM, Master Level; Secretary of the SoCal ACHMM Chapter
California Certified Asbestos Consultant (#09-2699)
Registered Environmental Assessor-I (#07411)
NIOSH 582 Accredited Sampling and Evaluation Airborne Asbestos
Certified, OSHA 40Hr Trained 1910.120/Site Supervisor
Certified TRGS 519 Under German Hazardous Materials Regulations
AHERA Certified Asbestos Inspector, Management Planner, Designer, and Abatement Supervisor
Certified Radiation Worker
Confined Space Entry Certified

11.0 LIST OF APPENDIX SECTIONS

APPENDIX A Maps, Figures, Additional Information & Documentation

APPENDIX B Site Photographs

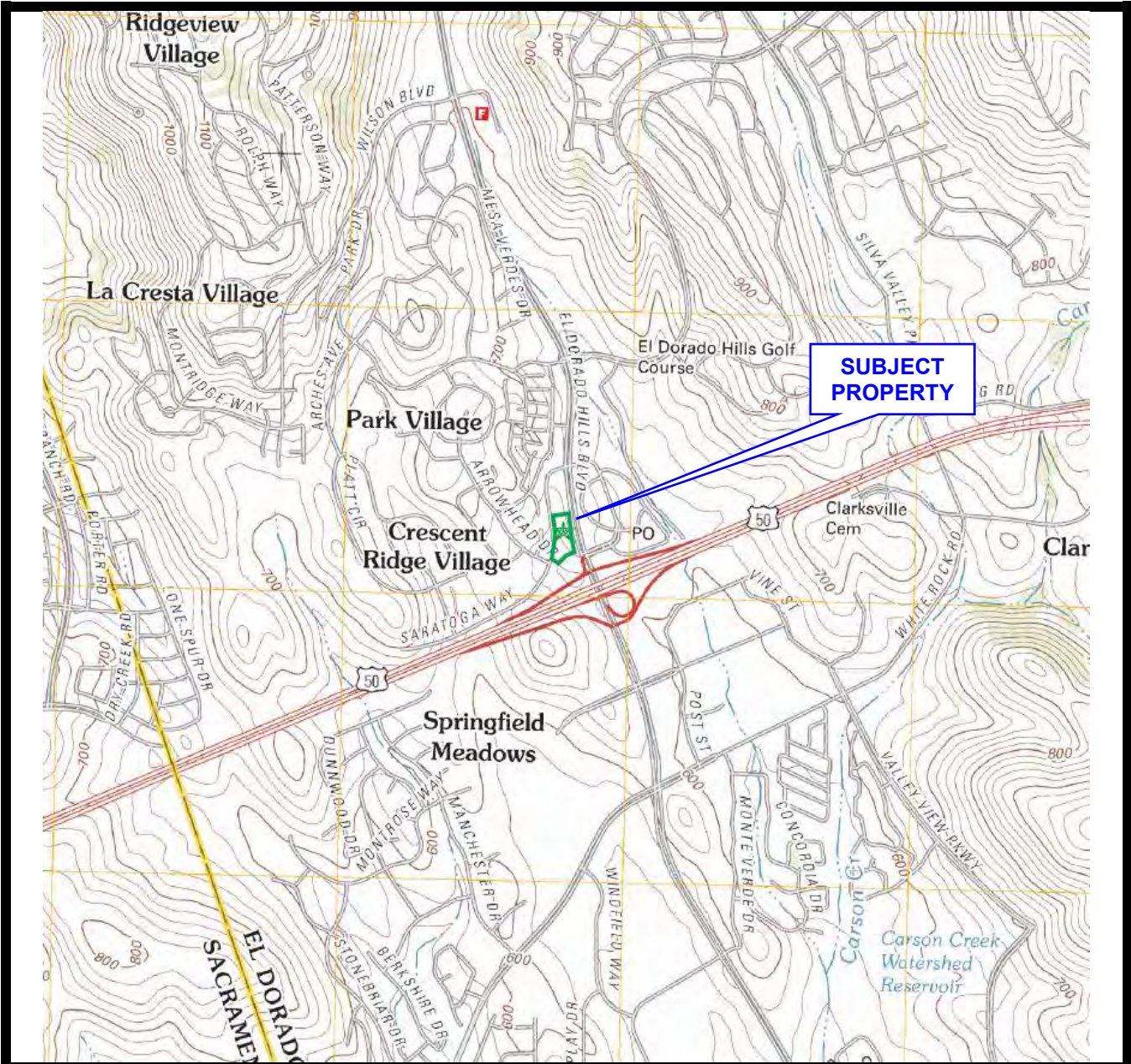
APPENDIX C Aerial Photographs

APPENDIX D Radius Profile Report

APPENDIX E Questionnaires

APPENDIX A

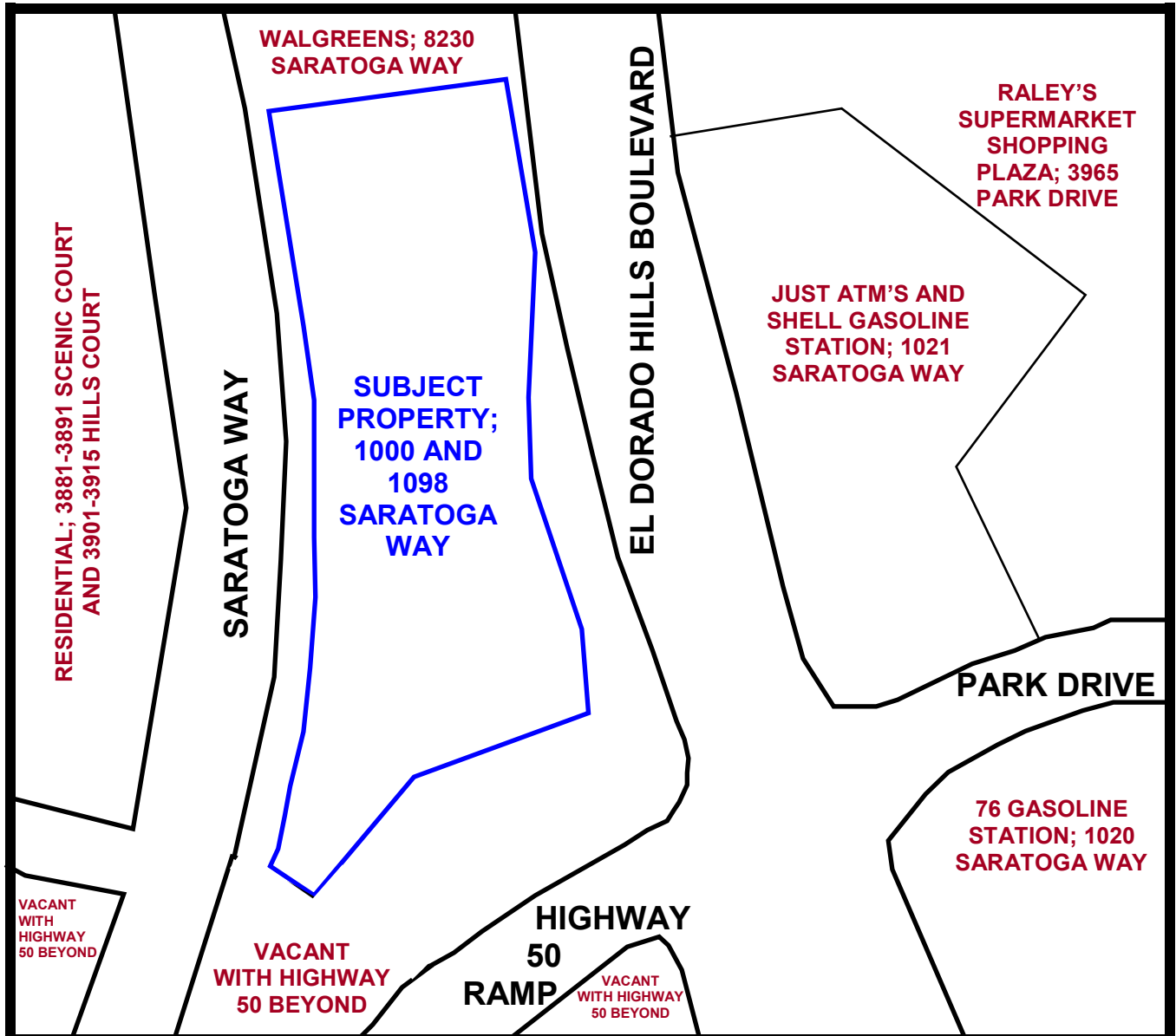
Maps, Figures, Additional Information & Documentation



Item: Clarksville Topographic Map
Date: 2012
Scale: 7.5 Minute
Project: 1000 and 1098 Saratoga Way
Project Number: ES17-001

Environmental Solutions
 Assessment - Engineering - Management





Item: Map of Subject Property & Adjacent Sites
Date: June 28
Scale: Not to Scale
Project: 1000 and 1098 Saratoga Way
Project Number: ES17-001

Environmental Solutions

Assessment – Engineering - Management





Item: Site Plan
Date: June 28
Scale: None
Project: 1000 and 1098 Saratoga Way
Project Number: ES17-001

Environmental Solutions

Assessment – Engineering · Management

APPENDIX B
Site Photographs

1000 AND 1098 SARATOGA WAY PHASE I ESA SITE PHOTOGRAPHS



SUBJECT PROPERTY LOOKING SOUTH FROM NORTH ADJACENT SITE



SUBJECT PROPERTY LOOKING NORTH FROM THE SOUTH SUBJECT PROPERTY BORDER



UTILITIES ON SUBJECT PROPERTY LOOKING SOUTHWEST



NORTH SUBJECT PROPERTY BORDER LOOKING EAST FROM THE NORTHWEST CORNER



SOUTH SUBJECT PROPERTY BORDER LOOKING EAST FROM THE SOUTHWEST CORNER



EAST SUBJECT PROPERTY BORDER LOOKING NORTH FROM THE SOUTHEAST CORNER



WEST SUBJECT PROPERTY BORDER LOOKING SOUTH FROM THE NORTHWEST CORNER



NORTH ADJACENT SITE LOOKING NORTHEAST FROM THE NORTHWEST SUBJECT PROPERTY CORNER

1000 AND 1098 SARATOGA WAY PHASE I ESA SITE PHOTOGRAPHS



**SOUTH ADJACENT SITE LOOKING SOUTHWEST
FROM THE SOUTHEAST SUBJECT PROPERTY
CORNER**



**EAST ADJACENT STIES LOOKING NORTHEAST
FROM THE SOUTHEAST SUBJECT PROPERTY
CORNER**

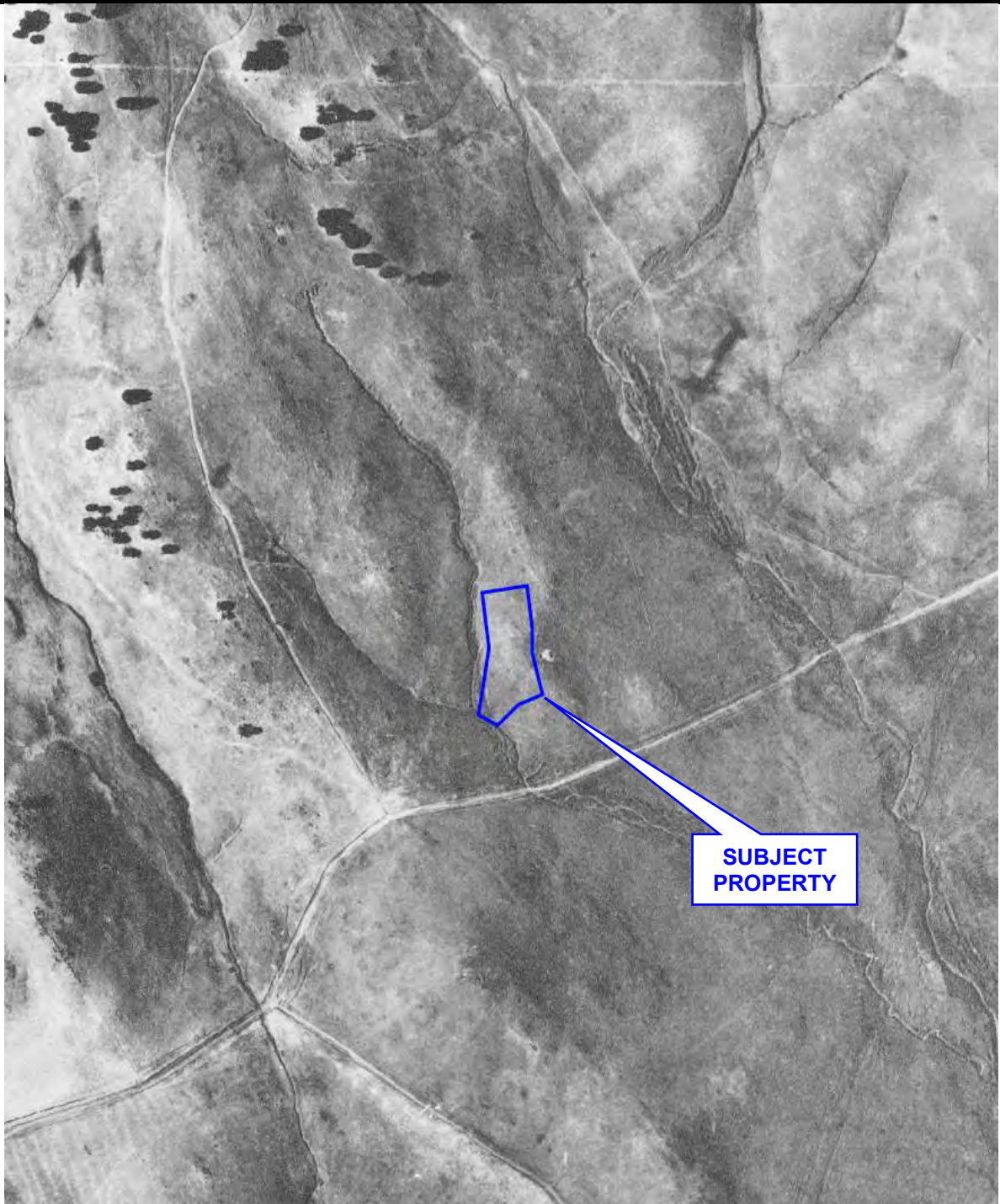


**SOUTHEAST ADJACENT SITE LOOKING
SOUTHEAST FROM THE SOUTHEAST SUBJECT
PROPERTY CORNER**



**WEST ADJACENT SITES LOOKING NORTHWEST
FROM THE SOUTHWEST SUBJECT PROPERTY
CORNER**

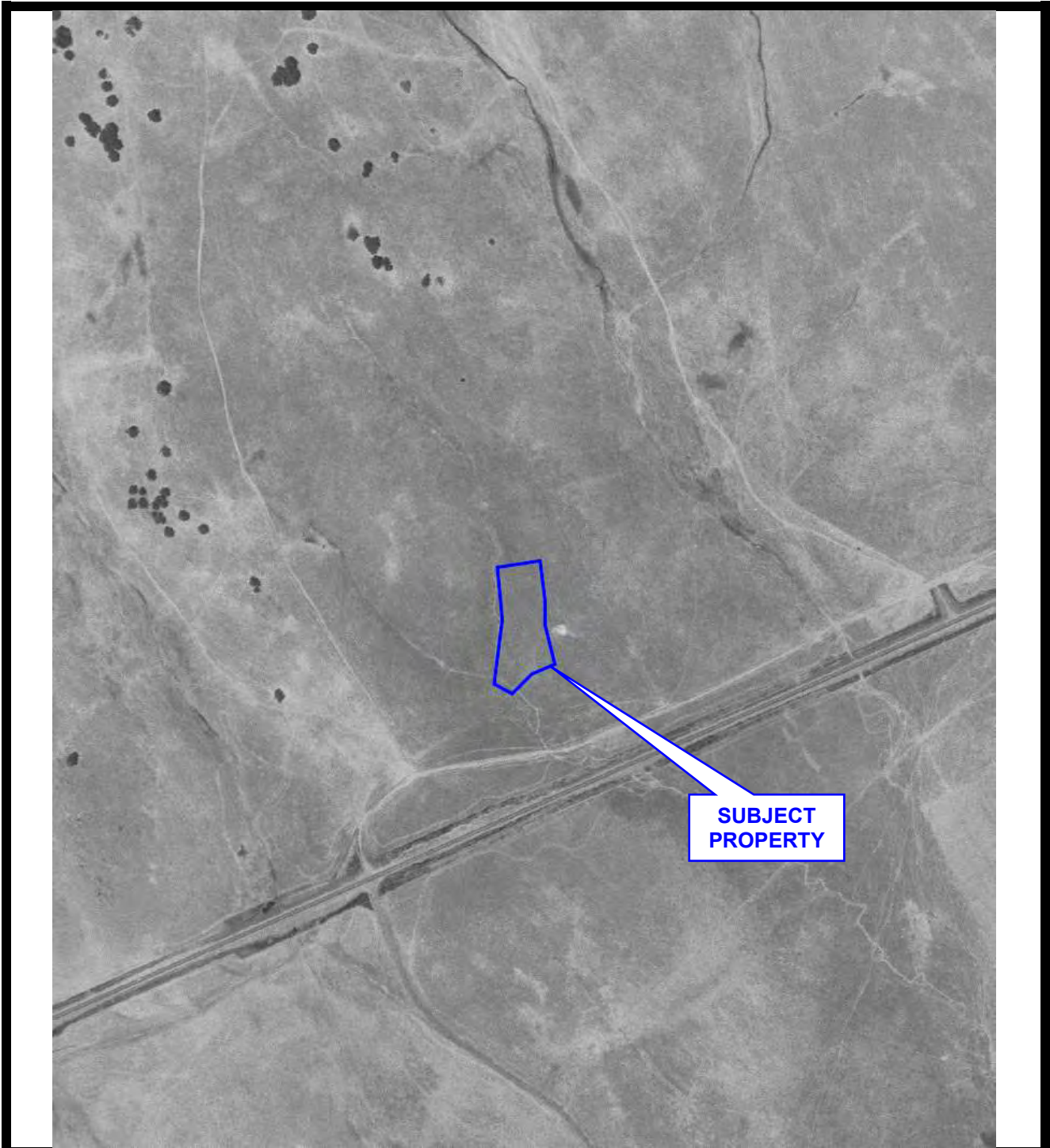
APPENDIX C
Aerial Photographs



Item: Aerial Photograph
Date: 1937
Scale: None
Project: 1000 and 1098 Saratoga Way
Project Number: ES17-001

Environmental Solutions
Assessment – Engineering - Management



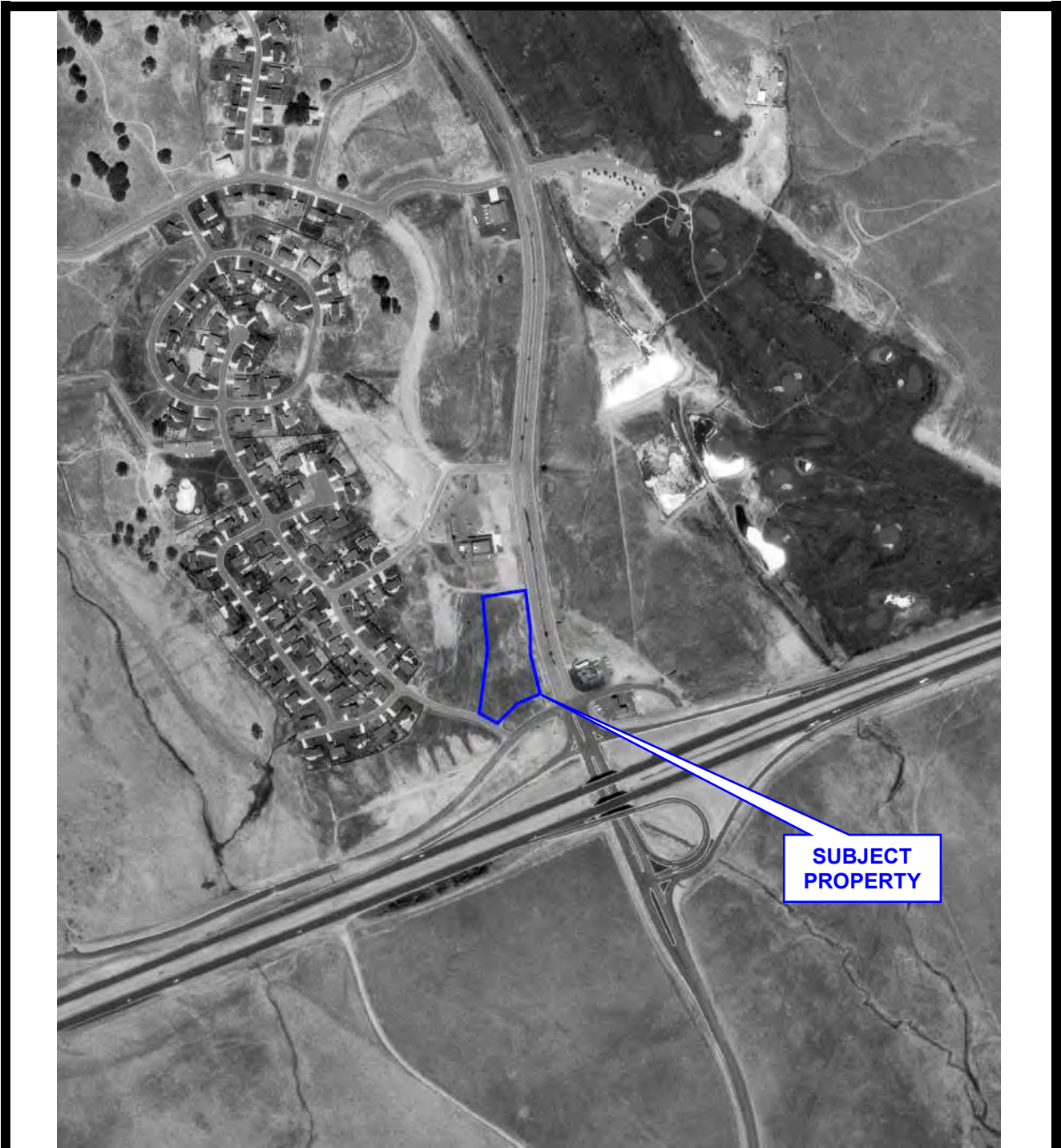


Item: Aerial Photograph
Date: 1952
Scale: None
Project: 1000 and 1098 Saratoga Way
Project Number: ES17-001



Environmental Solutions
Assessment – Engineering - Management



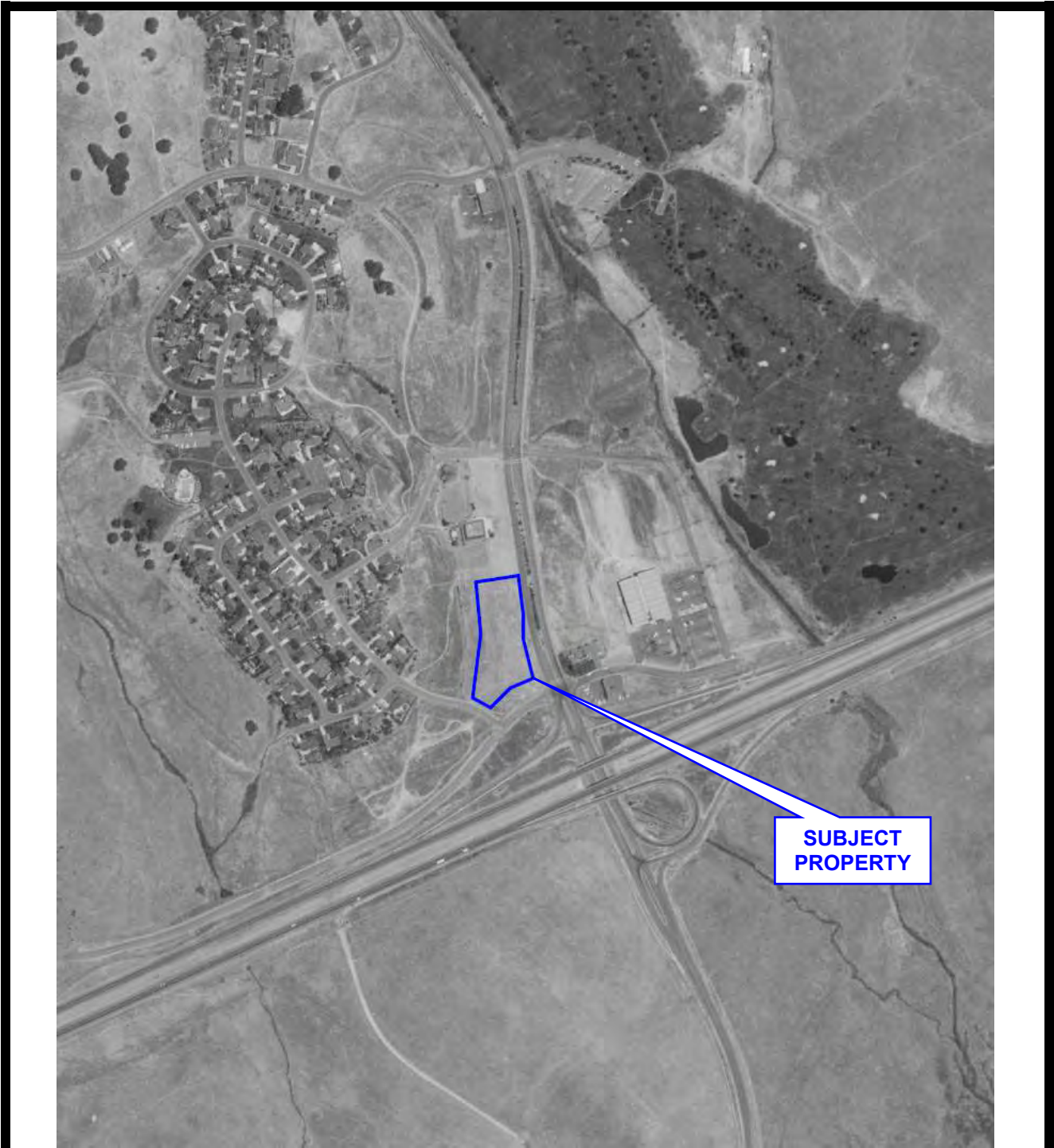


Item: Aerial Photograph
Date: 1966
Scale: None
Project: 1000 and 1098 Saratoga Way
Project Number: ES17-001

Environmental Solutions

Assessment – Engineering - Management

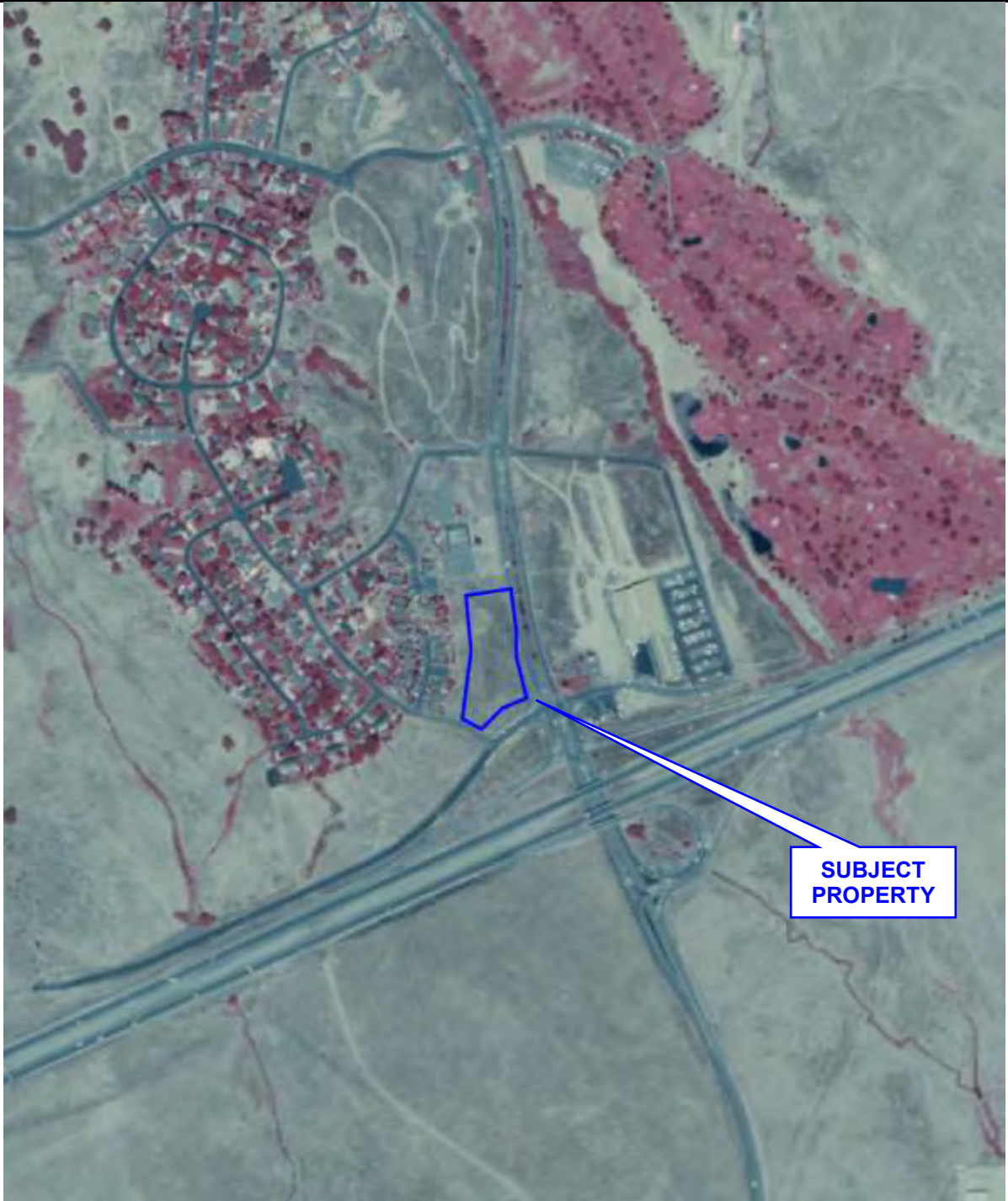




Item: Aerial Photograph
Date: 1972
Scale: None
Project: 1000 and 1098 Saratoga Way
Project Number: ES17-001

Environmental Solutions
Assessment – Engineering - Management





Item: Aerial Photograph
Date: 1984
Scale: None
Project: 1000 and 1098 Saratoga Way
Project Number: ES17-001





Item: Aerial Photograph
Date: 1993
Scale: None
Project: 1000 and 1098 Saratoga Way
Project Number: ES17-001





Item: Aerial Photograph
Date: 2005
Scale: None
Project: 1000 and 1098 Saratoga Way
Project Number: ES17-001

Environmental Solutions
Assessment – Engineering - Management





Item: Aerial Photograph
Date: 2006
Scale: None
Project: 1000 and 1098 Saratoga Way
Project Number: ES17-001

Environmental Solutions
Assessment – Engineering - Management





Item: Aerial Photograph
Date: 2009
Scale: None
Project: 1000 and 1098 Saratoga Way
Project Number: ES17-001



Environmental Solutions
Assessment – Engineering - Management





Item: Aerial Photograph
Date: 2010
Scale: None
Project: 1000 and 1098 Saratoga Way
Project Number: ES17-001

Environmental Solutions
Assessment – Engineering - Management





Item: Aerial Photograph
Date: 2012
Scale: None
Project: 1000 and 1098 Saratoga Way
Project Number: ES17-001

Environmental Solutions
Assessment – Engineering - Management





Aerial Photograph, Courtesy of Google Earth
Date: 2016
Scale: None
Project: 1000 and 1098 Saratoga Way
Project Number: ES17-001

Environmental Solutions
Assessment – Engineering - Management



APPENDIX D
Radius Profile Report

El Dorado Hills ESA
1000-1098 Saratoga Way
El Dorado Hills, CA 95762

Inquiry Number: 4966999.2s
June 15, 2017

The EDR Radius Map™ Report with GeoCheck®



6 Armstrong Road, 4th floor
Shelton, CT 06484
Toll Free: 800.352.0050
www.edrnet.com

TABLE OF CONTENTS

<u>SECTION</u>	<u>PAGE</u>
Executive Summary	ES1
Overview Map	2
Detail Map	3
Map Findings Summary	4
Map Findings	8
Orphan Summary	45
Government Records Searched/Data Currency Tracking	GR-1
 <u>GEOCHECK ADDENDUM</u>	
Physical Setting Source Addendum	A-1
Physical Setting Source Summary	A-2
Physical Setting SSURGO Soil Map	A-5
Physical Setting Source Map	A-8
Physical Setting Source Map Findings	A-10
Physical Setting Source Records Searched	PSGR-1

Thank you for your business.
Please contact EDR at 1-800-352-0050
with any questions or comments.

Disclaimer - Copyright and Trademark Notice

This Report contains certain information obtained from a variety of public and other sources reasonably available to Environmental Data Resources, Inc. It cannot be concluded from this Report that coverage information for the target and surrounding properties does not exist from other sources. **NO WARRANTY EXPRESSED OR IMPLIED, IS MADE WHATSOEVER IN CONNECTION WITH THIS REPORT. ENVIRONMENTAL DATA RESOURCES, INC. SPECIFICALLY DISCLAIMS THE MAKING OF ANY SUCH WARRANTIES, INCLUDING WITHOUT LIMITATION, MERCHANTABILITY OR FITNESS FOR A PARTICULAR USE OR PURPOSE. ALL RISK IS ASSUMED BY THE USER. IN NO EVENT SHALL ENVIRONMENTAL DATA RESOURCES, INC. BE LIABLE TO ANYONE, WHETHER ARISING OUT OF ERRORS OR OMISSIONS, NEGLIGENCE, ACCIDENT OR ANY OTHER CAUSE, FOR ANY LOSS OF DAMAGE, INCLUDING, WITHOUT LIMITATION, SPECIAL, INCIDENTAL, CONSEQUENTIAL, OR EXEMPLARY DAMAGES. ANY LIABILITY ON THE PART OF ENVIRONMENTAL DATA RESOURCES, INC. IS STRICTLY LIMITED TO A REFUND OF THE AMOUNT PAID FOR THIS REPORT.** Purchaser accepts this Report "AS IS". Any analyses, estimates, ratings, environmental risk levels or risk codes provided in this Report are provided for illustrative purposes only, and are not intended to provide, nor should they be interpreted as providing any facts regarding, or prediction or forecast of, any environmental risk for any property. Only a Phase I Environmental Site Assessment performed by an environmental professional can provide information regarding the environmental risk for any property. Additionally, the information provided in this Report is not to be construed as legal advice.

Copyright 2017 by Environmental Data Resources, Inc. All rights reserved. Reproduction in any media or format, in whole or in part, of any report or map of Environmental Data Resources, Inc., or its affiliates, is prohibited without prior written permission. EDR and its logos (including Sanborn and Sanborn Map) are trademarks of Environmental Data Resources, Inc. or its affiliates. All other trademarks used herein are the property of their respective owners.

EXECUTIVE SUMMARY

A search of available environmental records was conducted by Environmental Data Resources, Inc (EDR). The report was designed to assist parties seeking to meet the search requirements of EPA's Standards and Practices for All Appropriate Inquiries (40 CFR Part 312), the ASTM Standard Practice for Environmental Site Assessments (E 1527-13) or custom requirements developed for the evaluation of environmental risk associated with a parcel of real estate.

TARGET PROPERTY INFORMATION

ADDRESS

1000-1098 SARATOGA WAY
EL DORADO HILLS, CA 95762

COORDINATES

Latitude (North): 38.6547190 - 38° 39' 16.98"
Longitude (West): 121.0719730 - 121° 4' 19.10"
Universal Transverse Mercator: Zone 10
UTM X (Meters): 667770.9
UTM Y (Meters): 4280018.0
Elevation: 649 ft. above sea level

USGS TOPOGRAPHIC MAP ASSOCIATED WITH TARGET PROPERTY

Target Property Map: 5629046 CLARKSVILLE, CA
Version Date: 2012

AERIAL PHOTOGRAPHY IN THIS REPORT

Portions of Photo from: 20140713, 20140621
Source: USDA

MAPPED SITES SUMMARY

Target Property Address:
 1000-1098 SARATOGA WAY
 EL DORADO HILLS, CA 95762

Click on Map ID to see full detail.

MAP ID	SITE NAME	ADDRESS	DATABASE ACRONYMS	RELATIVE ELEVATION	DIST (ft. & mi.) DIRECTION
A1	UNION SS #5162 (CLOS	1020 SARATOGA WY	RGA LUST		TP
A2	UNION SS #5162	1020 SARATOGA WY	RGA LUST		TP
A3	NORRIS ENTERPRISES I	1020 SARATOGA WAY	EDR Hist Auto		TP
A4	EL DORADO HILLS CAR	1020 SARATOGA WAY	UST		TP
A5	NORRIS ENT INC DBA E	1020 SARATOGA WY	HAZNET		TP
A6	UNION #5162	1020 SARATOGA WY	RGA LUST		TP
A7	UNION #5162	1020 SARATOGA WY	FINDS		TP
A8	UNOCAL SERVICE STATI	1020 SARATOGA WAY	HAZNET		TP
A9	TOSCO CORPORATION SS	1020 SARATOGA WAY	HAZNET		TP
A10	UNION #5162	1020 SARATOGA WY	LUST, CUPA Listings, HAZNET, HIST CORTESE		TP
A11	UNOCAL SS #5162	1020 SARATOGA WAY	SWEEPS UST, HIST UST		TP
A12	EL DORADO HILLS UNIO	1020 SARATOGA WAY	EDR Hist Auto		TP
A13	UNION #5162	1020 SARATOGA WY	RGA LUST		TP
A14	EL DORADO HILLS CAR	1020 SARATOGA WAY	FINDS		TP
A15	WALGREENS #12840	8230 SARATOGA WAY	FINDS, ECHO	Lower	4, 0.001,
B16	EL DORADO HILLS SHEL	1021 SARATOGA WAY	UST	Lower	209, 0.040, East
B17	SWANSONS CLEANERS	1021 SARATOGA WAY	EDR Hist Cleaner	Lower	209, 0.040, East
B18	TOOLEY OIL COMPANY	1021 SARATOGA WAY	EDR Hist Auto	Lower	209, 0.040, East
B19	SHELL SERVICE STATIO	1021 SARATOGA WAY	RCRA-SQG, FINDS, ECHO, CUPA Listings, HAZNET	Lower	209, 0.040, East
20	WALGREENS #12840	8230 SARATOGA WAY	CUPA Listings	Higher	299, 0.057, North
C21	RALEY'S SUPERMARKET	3935 PARK DR A	CUPA Listings	Lower	423, 0.080, ENE
22	EL DORADO HILLS GOLF	3864 PARK DR	SWEEPS UST	Higher	457, 0.087, NW
C23	SWANSONS CLEANERS	3919 PARK DR STE 100	EDR Hist Cleaner	Lower	503, 0.095, NE
24	RALEYS INC	3965 PARK DR STE B	RCRA-SQG, FINDS, ECHO	Lower	545, 0.103, East
C25	RICHARDO ARTS	3941 PARK DR STE 20	EDR Hist Auto	Lower	619, 0.117, ENE
26	CVS/PHARMACY #3909	4560 POST ST	CUPA Listings	Lower	1254, 0.237, SE
27	RUSSELL RANCH ELEMEN	375 DRY CREEK ROAD	ENVIROSTOR, SCH	Higher	4925, 0.933, WSW

EXECUTIVE SUMMARY

TARGET PROPERTY SEARCH RESULTS

The target property was identified in the following records. For more information on this property see page 8 of the attached EDR Radius Map report:

Site	Database(s)	EPA ID
UNION SS #5162 (CLOS 1020 SARATOGA WY EL DORADO HILLS, CA	RGA LUST	N/A
UNION SS #5162 1020 SARATOGA WY EL DORADO HILLS, CA	RGA LUST	N/A
NORRIS ENTERPRISES I 1020 SARATOGA WAY EL DORADO HILLS, CA 95762	EDR Hist Auto	N/A
EL DORADO HILLS CAR 1020 SARATOGA WAY EL DORADO HILLS, CA 95762	UST Database: UST, Date of Government Version: 03/12/2017 Facility Id: FA0000392	N/A
NORRIS ENT INC DBA E 1020 SARATOGA WY EL DORADO HILLS, CA 95762	HAZNET GEPaid: CAL000117531	N/A
UNION #5162 1020 SARATOGA WY EL DORADO HILL, CA	RGA LUST	N/A
UNION #5162 1020 SARATOGA WY EL DORADO HILLS, CA 95630	FINDS Registry ID:: 110065484728	N/A
UNOCAL SERVICE STATI 1020 SARATOGA WAY EL DORADO HILLS, CA 95762	HAZNET GEPaid: CAL000000548	N/A
TOSCO CORPORATION SS 1020 SARATOGA WAY EL DORADO, CA 95630	HAZNET GEPaid: CAL000161496	N/A
UNION #5162 1020 SARATOGA WY EL DORADO HILLS, CA 95630	LUST Database: LUST REG 5, Date of Government Version: 07/01/2008 Database: LUST, Date of Government Version: 03/13/2017	N/A

EXECUTIVE SUMMARY

Status: Completed - Case Closed

Status: Case Closed

Global Id: T0601700004

CUPA Listings

Database: CUPA EL DORADO, Date of Government Version: 02/24/2017

Status: Active, billable

HAZNET

GEPaid: CAL000346904

HIST CORTESE

Reg Id: 090006

UNOCAL SS #5162
1020 SARATOGA WAY
EL DORADO HILLS, CA 95630

SWEEPS UST

N/A

Status: A

Tank Status: A

Comp Number: 56433

HIST UST

Facility Id: 00000056433

EL DORADO HILLS UNIO
1020 SARATOGA WAY
FOLSOM, CA 95630

EDR Hist Auto

N/A

UNION #5162
1020 SARATOGA WY
EL DORADO HILLS, CA

RGA LUST

N/A

EL DORADO HILLS CAR
1020 SARATOGA WAY
EL DORADO HILLS, CA 95762

FINDS

N/A

Registry ID:: 110066031939

DATABASES WITH NO MAPPED SITES

No mapped sites were found in EDR's search of available ("reasonably ascertainable ") government records either on the target property or within the search radius around the target property for the following databases:

STANDARD ENVIRONMENTAL RECORDS

Federal NPL site list

NPL..... National Priority List
Proposed NPL..... Proposed National Priority List Sites
NPL LIENS..... Federal Superfund Liens

EXECUTIVE SUMMARY

Federal Delisted NPL site list

Delisted NPL..... National Priority List Deletions

Federal CERCLIS list

FEDERAL FACILITY..... Federal Facility Site Information listing
SEMS..... Superfund Enterprise Management System

Federal CERCLIS NFRAP site list

SEMS-ARCHIVE..... Superfund Enterprise Management System Archive

Federal RCRA CORRACTS facilities list

CORRACTS..... Corrective Action Report

Federal RCRA non-CORRACTS TSD facilities list

RCRA-TSDF..... RCRA - Treatment, Storage and Disposal

Federal RCRA generators list

RCRA-LQG..... RCRA - Large Quantity Generators
RCRA-CESQG..... RCRA - Conditionally Exempt Small Quantity Generator

Federal institutional controls / engineering controls registries

LUCIS..... Land Use Control Information System
US ENG CONTROLS..... Engineering Controls Sites List
US INST CONTROL..... Sites with Institutional Controls

Federal ERNS list

ERNS..... Emergency Response Notification System

State- and tribal - equivalent NPL

RESPONSE..... State Response Sites

State and tribal landfill and/or solid waste disposal site lists

SWF/LF..... Solid Waste Information System

State and tribal leaking storage tank lists

INDIAN LUST..... Leaking Underground Storage Tanks on Indian Land
SLIC..... Statewide SLIC Cases

State and tribal registered storage tank lists

FEMA UST..... Underground Storage Tank Listing
AST..... Aboveground Petroleum Storage Tank Facilities
INDIAN UST..... Underground Storage Tanks on Indian Land

EXECUTIVE SUMMARY

State and tribal voluntary cleanup sites

VCP..... Voluntary Cleanup Program Properties
INDIAN VCP..... Voluntary Cleanup Priority Listing

State and tribal Brownfields sites

BROWNFIELDS..... Considered Brownfields Sites Listing

ADDITIONAL ENVIRONMENTAL RECORDS

Local Brownfield lists

US BROWNFIELDS..... A Listing of Brownfields Sites

Local Lists of Landfill / Solid Waste Disposal Sites

WMUDS/SWAT..... Waste Management Unit Database
SWRCY..... Recycler Database
HAULERS..... Registered Waste Tire Haulers Listing
INDIAN ODI..... Report on the Status of Open Dumps on Indian Lands
DEBRIS REGION 9..... Torres Martinez Reservation Illegal Dump Site Locations
ODI..... Open Dump Inventory
IHS OPEN DUMPS..... Open Dumps on Indian Land

Local Lists of Hazardous waste / Contaminated Sites

US HIST CDL..... Delisted National Clandestine Laboratory Register
HIST Cal-Sites..... Historical Calsites Database
SCH..... School Property Evaluation Program
CDL..... Clandestine Drug Labs
Toxic Pits..... Toxic Pits Cleanup Act Sites
US CDL..... National Clandestine Laboratory Register

Local Lists of Registered Storage Tanks

CA FID UST..... Facility Inventory Database

Local Land Records

LIENS..... Environmental Liens Listing
LIENS 2..... CERCLA Lien Information
DEED..... Deed Restriction Listing

Records of Emergency Release Reports

HMIRS..... Hazardous Materials Information Reporting System
CHMIRS..... California Hazardous Material Incident Report System
LDS..... Land Disposal Sites Listing
MCS..... Military Cleanup Sites Listing
SPILLS 90..... SPILLS 90 data from FirstSearch

Other Ascertainable Records

RCRA NonGen / NLR..... RCRA - Non Generators / No Longer Regulated

EXECUTIVE SUMMARY

FUDS.....	Formerly Used Defense Sites
DOD.....	Department of Defense Sites
SCRD DRYCLEANERS.....	State Coalition for Remediation of Drycleaners Listing
US FIN ASSUR.....	Financial Assurance Information
EPA WATCH LIST.....	EPA WATCH LIST
2020 COR ACTION.....	2020 Corrective Action Program List
TSCA.....	Toxic Substances Control Act
TRIS.....	Toxic Chemical Release Inventory System
SSTS.....	Section 7 Tracking Systems
ROD.....	Records Of Decision
RMP.....	Risk Management Plans
RAATS.....	RCRA Administrative Action Tracking System
PRP.....	Potentially Responsible Parties
PADS.....	PCB Activity Database System
ICIS.....	Integrated Compliance Information System
FTTS.....	FIFRA/ TSCA Tracking System - FIFRA (Federal Insecticide, Fungicide, & Rodenticide Act)/TSCA (Toxic Substances Control Act)
MLTS.....	Material Licensing Tracking System
COAL ASH DOE.....	Steam-Electric Plant Operation Data
COAL ASH EPA.....	Coal Combustion Residues Surface Impoundments List
PCB TRANSFORMER.....	PCB Transformer Registration Database
RADINFO.....	Radiation Information Database
HIST FTTS.....	FIFRA/TSCA Tracking System Administrative Case Listing
DOT OPS.....	Incident and Accident Data
CONSENT.....	Superfund (CERCLA) Consent Decrees
INDIAN RESERV.....	Indian Reservations
FUSRAP.....	Formerly Utilized Sites Remedial Action Program
UMTRA.....	Uranium Mill Tailings Sites
LEAD SMELTERS.....	Lead Smelter Sites
US AIRS.....	Aerometric Information Retrieval System Facility Subsystem
US MINES.....	Mines Master Index File
ABANDONED MINES.....	Abandoned Mines
UXO.....	Unexploded Ordnance Sites
DOCKET HWC.....	Hazardous Waste Compliance Docket Listing
FUELS PROGRAM.....	EPA Fuels Program Registered Listing
CA BOND EXP. PLAN.....	Bond Expenditure Plan
Cortese.....	"Cortese" Hazardous Waste & Substances Sites List
DRYCLEANERS.....	Cleaner Facilities
EMI.....	Emissions Inventory Data
ENF.....	Enforcement Action Listing
Financial Assurance.....	Financial Assurance Information Listing
ICE.....	ICE
HWP.....	EnviroStor Permitted Facilities Listing
HWT.....	Registered Hazardous Waste Transporter Database
MINES.....	Mines Site Location Listing
MWMP.....	Medical Waste Management Program Listing
NPDES.....	NPDES Permits Listing
PEST LIC.....	Pesticide Regulation Licenses Listing
PROC.....	Certified Processors Database
Notify 65.....	Proposition 65 Records
UIC.....	UIC Listing
WASTEWATER PITS.....	Oil Wastewater Pits Listing
WDS.....	Waste Discharge System
WIP.....	Well Investigation Program Case List

EDR HIGH RISK HISTORICAL RECORDS

EDR Exclusive Records

EDR MGP..... EDR Proprietary Manufactured Gas Plants

EXECUTIVE SUMMARY

EDR RECOVERED GOVERNMENT ARCHIVES

Exclusive Recovered Govt. Archives

RGA LF..... Recovered Government Archive Solid Waste Facilities List

SURROUNDING SITES: SEARCH RESULTS

Surrounding sites were identified in the following databases.

Elevations have been determined from the USGS Digital Elevation Model and should be evaluated on a relative (not an absolute) basis. Relative elevation information between sites of close proximity should be field verified. Sites with an elevation equal to or higher than the target property have been differentiated below from sites with an elevation lower than the target property. Page numbers and map identification numbers refer to the EDR Radius Map report where detailed data on individual sites can be reviewed.

Sites listed in ***bold italics*** are in multiple databases.

Unmappable (orphan) sites are not considered in the foregoing analysis.

STANDARD ENVIRONMENTAL RECORDS

Federal RCRA generators list

RCRA-SQG: RCRAInfo is EPA's comprehensive information system, providing access to data supporting the Resource Conservation and Recovery Act (RCRA) of 1976 and the Hazardous and Solid Waste Amendments (HSWA) of 1984. The database includes selective information on sites which generate, transport, store, treat and/or dispose of hazardous waste as defined by the Resource Conservation and Recovery Act (RCRA). Small quantity generators (SQGs) generate between 100 kg and 1,000 kg of hazardous waste per month.

A review of the RCRA-SQG list, as provided by EDR, and dated 12/12/2016 has revealed that there are 2 RCRA-SQG sites within approximately 0.25 miles of the target property.

<u>Lower Elevation</u>	<u>Address</u>	<u>Direction / Distance</u>	<u>Map ID</u>	<u>Page</u>
<i>SHELL SERVICE STATIO</i>	<i>1021 SARATOGA WAY</i>	<i>E 0 - 1/8 (0.040 mi.)</i>	<i>B19</i>	<i>21</i>
<i>RALEYS INC</i>	<i>3965 PARK DR STE B</i>	<i>E 0 - 1/8 (0.103 mi.)</i>	<i>24</i>	<i>27</i>

State- and tribal - equivalent CERCLIS

ENVIROSTOR: The Department of Toxic Substances Control's (DTSC's) Site Mitigation and Brownfields Reuse Program's (SMBRP's) EnviroStor database identifies sites that have known contamination or sites for which there may be reasons to investigate further. The database includes the following site types: Federal Superfund sites (National Priorities List (NPL)); State Response, including Military Facilities and State Superfund; Voluntary Cleanup; and School sites. EnviroStor provides similar information to the information that was available in CalSites, and provides additional site information, including, but not limited to, identification of formerly-contaminated properties that have been released for reuse, properties where environmental deed restrictions have been recorded to prevent inappropriate land uses, and risk characterization information that is used to assess potential impacts to public health and the environment at contaminated sites.

A review of the ENVIROSTOR list, as provided by EDR, and dated 01/30/2017 has revealed that there is

EXECUTIVE SUMMARY

1 ENVIROSTOR site within approximately 1 mile of the target property.

<u>Equal/Higher Elevation</u>	<u>Address</u>	<u>Direction / Distance</u>	<u>Map ID</u>	<u>Page</u>
RUSSELL RANCH ELEMEN Facility Id: 34650003 Status: Certified / Operation & Maintenance	375 DRY CREEK ROAD	WSW 1/2 - 1 (0.933 mi.)	27	29

State and tribal registered storage tank lists

UST: The Underground Storage Tank database contains registered USTs. USTs are regulated under Subtitle I of the Resource Conservation and Recovery Act (RCRA). The data come from the State Water Resources Control Board's Hazardous Substance Storage Container Database.

A review of the UST list, as provided by EDR, has revealed that there is 1 UST site within approximately 0.25 miles of the target property.

<u>Lower Elevation</u>	<u>Address</u>	<u>Direction / Distance</u>	<u>Map ID</u>	<u>Page</u>
EL DORADO HILLS SHEL Database: UST, Date of Government Version: 03/12/2017 Facility Id: FA0001880	1021 SARATOGA WAY	E 0 - 1/8 (0.040 mi.)	B16	20

ADDITIONAL ENVIRONMENTAL RECORDS

Local Lists of Registered Storage Tanks

SWEEPS UST: Statewide Environmental Evaluation and Planning System. This underground storage tank listing was updated and maintained by a company contacted by the SWRCB in the early 1990's. The listing is no longer updated or maintained. The local agency is the contact for more information on a site on the SWEEPS list.

A review of the SWEEPS UST list, as provided by EDR, and dated 06/01/1994 has revealed that there is 1 SWEEPS UST site within approximately 0.25 miles of the target property.

<u>Equal/Higher Elevation</u>	<u>Address</u>	<u>Direction / Distance</u>	<u>Map ID</u>	<u>Page</u>
EL DORADO HILLS GOLF Status: A Tank Status: A Comp Number: 505	3864 PARK DR	NW 0 - 1/8 (0.087 mi.)	22	25

Other Ascertainable Records

FINDS: The Facility Index System contains both facility information and "pointers" to other sources of information that contain more detail. These include: RCRIS; Permit Compliance System (PCS); Aerometric Information Retrieval System (AIRS); FATES (FIFRA [Federal Insecticide Fungicide Rodenticide Act] and TSCA Enforcement System, FTTS [FIFRA/TSCA Tracking System]; CERCLIS; DOCKET (Enforcement Docket used to

EXECUTIVE SUMMARY

manage and track information on civil judicial enforcement cases for all environmental statutes); Federal Underground Injection Control (FURS); Federal Reporting Data System (FRDS); Surface Impoundments (SIA); TSCA Chemicals in Commerce Information System (CICS); PADS; RCRA-J (medical waste transporters/disposers); TRIS; and TSCA. The source of this database is the U.S. EPA/NTIS.

A review of the FINDS list, as provided by EDR, and dated 04/04/2017 has revealed that there is 1 FINDS site within approximately 0.001 miles of the target property.

<u>Lower Elevation</u>	<u>Address</u>	<u>Direction / Distance</u>	<u>Map ID</u>	<u>Page</u>
WALGREENS #12840	8230 SARATOGA WAY	0 - 1/8 (0.001 mi.)	A15	20

ECHO: ECHO provides integrated compliance and enforcement information for about 800,000 regulated facilities nationwide.

A review of the ECHO list, as provided by EDR, and dated 03/19/2017 has revealed that there is 1 ECHO site within approximately 0.001 miles of the target property.

<u>Lower Elevation</u>	<u>Address</u>	<u>Direction / Distance</u>	<u>Map ID</u>	<u>Page</u>
WALGREENS #12840	8230 SARATOGA WAY	0 - 1/8 (0.001 mi.)	A15	20

CUPA Listings: A listing of sites included in the county's Certified Unified Program Agency database. California's Secretary for Environmental Protection established the unified hazardous materials and hazardous waste regulatory program as required by chapter 6.11 of the California Health and Safety Code. The Unified Program consolidates the administration, permits, inspections, and enforcement activities.

A review of the CUPA Listings list, as provided by EDR, has revealed that there are 4 CUPA Listings sites within approximately 0.25 miles of the target property.

<u>Equal/Higher Elevation</u>	<u>Address</u>	<u>Direction / Distance</u>	<u>Map ID</u>	<u>Page</u>
WALGREENS #12840 Database: CUPA EL DORADO, Date of Government Version: 02/24/2017 Status: Active, billable	8230 SARATOGA WAY	N 0 - 1/8 (0.057 mi.)	20	24

<u>Lower Elevation</u>	<u>Address</u>	<u>Direction / Distance</u>	<u>Map ID</u>	<u>Page</u>
SHELL SERVICE STATIO Database: CUPA EL DORADO, Date of Government Version: 02/24/2017 Status: Active, billable	1021 SARATOGA WAY	E 0 - 1/8 (0.040 mi.)	B19	21
RALEY'S SUPERMARKET Database: CUPA EL DORADO, Date of Government Version: 02/24/2017 Status: Active, billable	3935 PARK DR A	ENE 0 - 1/8 (0.080 mi.)	C21	25
CVS/PHARMACY #3909 Database: CUPA EL DORADO, Date of Government Version: 02/24/2017 Status: Inactive, non-billable	4560 POST ST	SE 1/8 - 1/4 (0.237 mi.)	26	28

EXECUTIVE SUMMARY

EDR HIGH RISK HISTORICAL RECORDS

EDR Exclusive Records

EDR Hist Auto: EDR has searched selected national collections of business directories and has collected listings of potential gas station/filling station/service station sites that were available to EDR researchers. EDR's review was limited to those categories of sources that might, in EDR's opinion, include gas station/filling station/service station establishments. The categories reviewed included, but were not limited to gas, gas station, gasoline station, filling station, auto, automobile repair, auto service station, service station, etc. This database falls within a category of information EDR classifies as "High Risk Historical Records", or HRHR. EDR's HRHR effort presents unique and sometimes proprietary data about past sites and operations that typically create environmental concerns, but may not show up in current government records searches.

A review of the EDR Hist Auto list, as provided by EDR, has revealed that there are 2 EDR Hist Auto sites within approximately 0.125 miles of the target property.

<u>Lower Elevation</u>	<u>Address</u>	<u>Direction / Distance</u>	<u>Map ID</u>	<u>Page</u>
TOOLEY OIL COMPANY	1021 SARATOGA WAY	E 0 - 1/8 (0.040 mi.)	B18	21
RICHARDO ARTS	3941 PARK DR STE 20	ENE 0 - 1/8 (0.117 mi.)	C25	28

EDR Hist Cleaner: EDR has searched selected national collections of business directories and has collected listings of potential dry cleaner sites that were available to EDR researchers. EDR's review was limited to those categories of sources that might, in EDR's opinion, include dry cleaning establishments. The categories reviewed included, but were not limited to dry cleaners, cleaners, laundry, laundromat, cleaning/laundry, wash & dry etc. This database falls within a category of information EDR classifies as "High Risk Historical Records", or HRHR. EDR's HRHR effort presents unique and sometimes proprietary data about past sites and operations that typically create environmental concerns, but may not show up in current government records searches.

A review of the EDR Hist Cleaner list, as provided by EDR, has revealed that there are 2 EDR Hist Cleaner sites within approximately 0.125 miles of the target property.

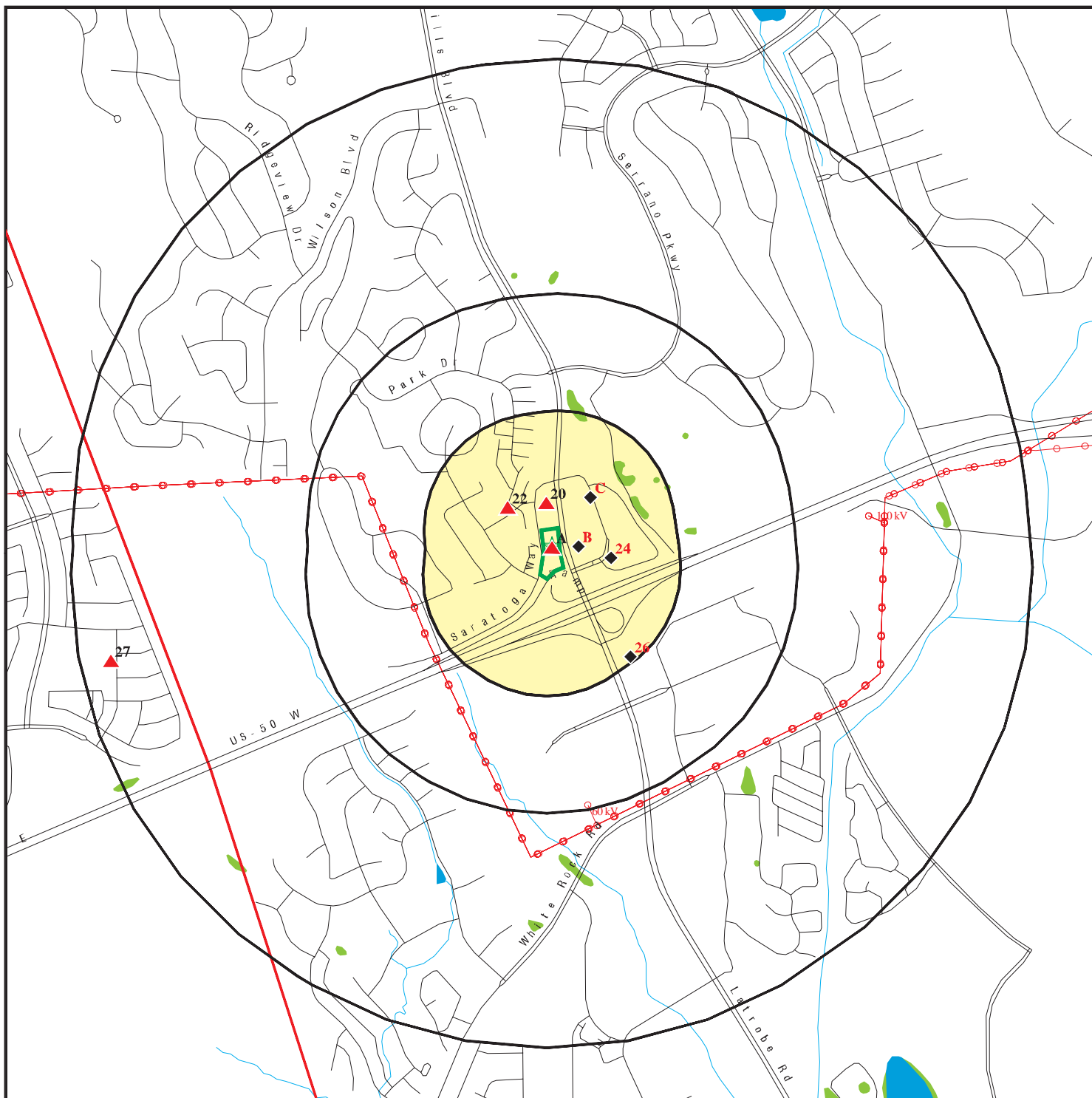
<u>Lower Elevation</u>	<u>Address</u>	<u>Direction / Distance</u>	<u>Map ID</u>	<u>Page</u>
SWANSONS CLEANERS	1021 SARATOGA WAY	E 0 - 1/8 (0.040 mi.)	B17	21
SWANSONS CLEANERS	3919 PARK DR STE 100	NE 0 - 1/8 (0.095 mi.)	C23	26

EXECUTIVE SUMMARY

Due to poor or inadequate address information, the following sites were not mapped. Count: 2 records.

<u>Site Name</u>	<u>Database(s)</u>
HWY 50 AT EL DORADO HILLS BLVD PH	NPDES
EL DORADO HILLS PHASE 1 2 B	NPDES

OVERVIEW MAP - 4966999.2S



Target Property

Sites at elevations higher than or equal to the target property

Sites at elevations lower than the target property

Manufactured Gas Plants

National Priority List Sites

Dept. Defense Sites

Indian Reservations BIA

County Boundary

Power transmission lines

100-year flood zone

500-year flood zone

National Wetland Inventory

State Wetlands

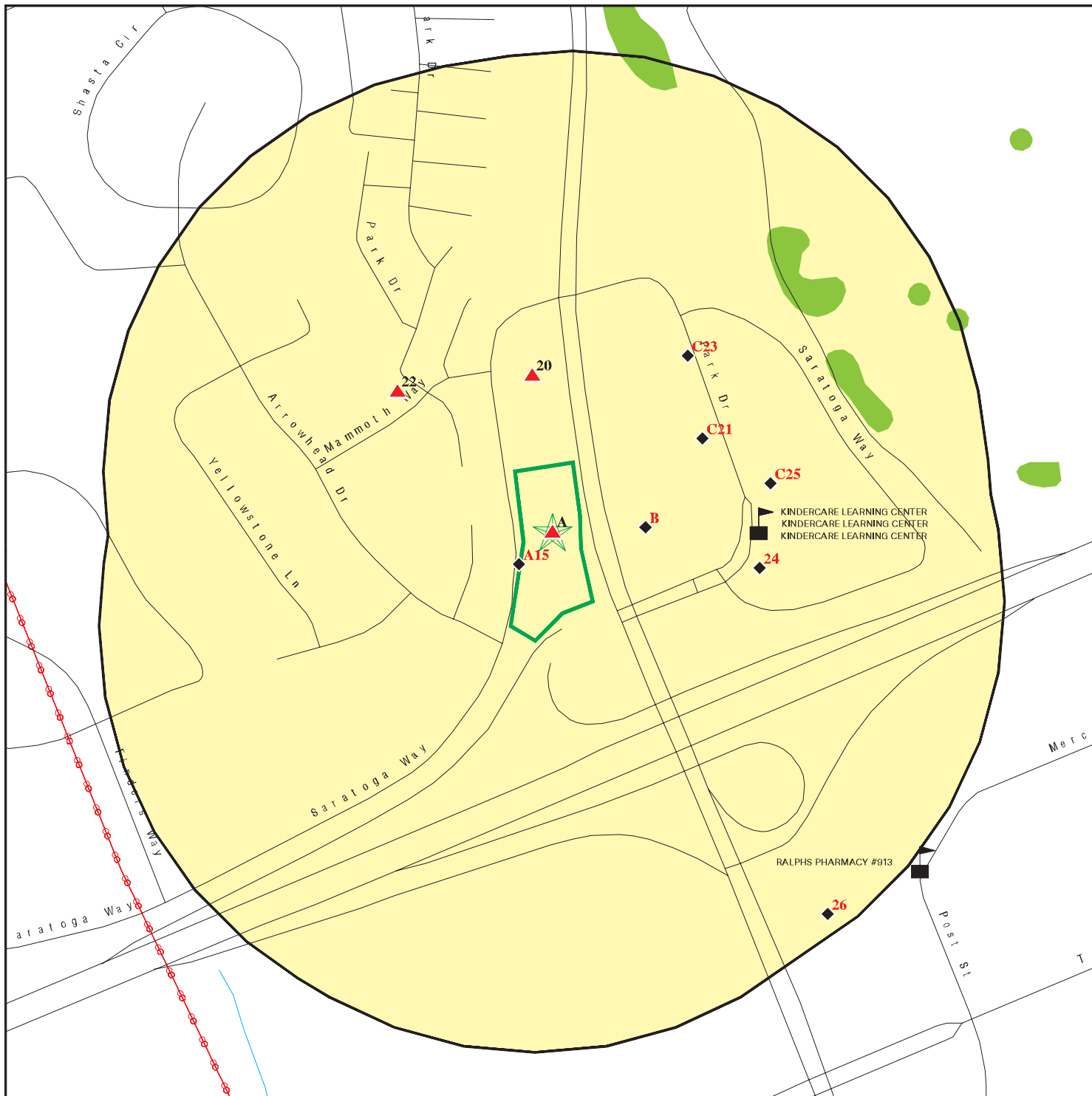
Areas of Concern

This report includes Interactive Map Layers to display and/or hide map information. The legend includes only those icons for the default map view.

SITE NAME: El Dorado Hills ESA
 ADDRESS: 1000-1098 Saratoga Way
 El Dorado Hills CA 95762
 LAT/LONG: 38.654719 / 121.071973

CLIENT: Environmental Solutions
 CONTACT: Mike Rezvani
 INQUIRY #: 4966999.2s
 DATE: June 15, 2017 11:11 am

DETAIL MAP - 4966999.2S



- Target Property
- Sites at elevations higher than or equal to the target property
- Sites at elevations lower than the target property
- Manufactured Gas Plants
- Sensitive Receptors
- National Priority List Sites
- Dept. Defense Sites

- Indian Reservations BIA
- Power transmission lines
- 100-year flood zone
- 500-year flood zone
- National Wetland Inventory
- State Wetlands
- Areas of Concern



This report includes Interactive Map Layers to display and/or hide map information. The legend includes only those icons for the default map view.

SITE NAME: El Dorado Hills ESA
 ADDRESS: 1000-1098 Saratoga Way
 El Dorado Hills CA 95762
 LAT/LONG: 38.654719 / 121.071973

CLIENT: Environmental Solutions
 CONTACT: Mike Rezvani
 INQUIRY #: 4966999.2s
 DATE: June 15, 2017 11:14 am

MAP FINDINGS SUMMARY

Database	Search Distance (Miles)	Target Property	< 1/8	1/8 - 1/4	1/4 - 1/2	1/2 - 1	> 1	Total Plotted
STANDARD ENVIRONMENTAL RECORDS								
<i>Federal NPL site list</i>								
NPL	1.000		0	0	0	0	NR	0
Proposed NPL	1.000		0	0	0	0	NR	0
NPL LIENS	0.001		0	NR	NR	NR	NR	0
<i>Federal Delisted NPL site list</i>								
Delisted NPL	1.000		0	0	0	0	NR	0
<i>Federal CERCLIS list</i>								
FEDERAL FACILITY	0.500		0	0	0	NR	NR	0
SEMS	0.500		0	0	0	NR	NR	0
<i>Federal CERCLIS NFRAP site list</i>								
SEMS-ARCHIVE	0.500		0	0	0	NR	NR	0
<i>Federal RCRA CORRACTS facilities list</i>								
CORRACTS	1.000		0	0	0	0	NR	0
<i>Federal RCRA non-CORRACTS TSD facilities list</i>								
RCRA-TSDF	0.500		0	0	0	NR	NR	0
<i>Federal RCRA generators list</i>								
RCRA-LQG	0.250		0	0	NR	NR	NR	0
RCRA-SQG	0.250		2	0	NR	NR	NR	2
RCRA-CESQG	0.250		0	0	NR	NR	NR	0
<i>Federal institutional controls / engineering controls registries</i>								
LUCIS	0.500		0	0	0	NR	NR	0
US ENG CONTROLS	0.500		0	0	0	NR	NR	0
US INST CONTROL	0.500		0	0	0	NR	NR	0
<i>Federal ERNS list</i>								
ERNS	0.001		0	NR	NR	NR	NR	0
<i>State- and tribal - equivalent NPL RESPONSE</i>								
RESPONSE	1.000		0	0	0	0	NR	0
<i>State- and tribal - equivalent CERCLIS ENVIROSTOR</i>								
ENVIROSTOR	1.000		0	0	0	1	NR	1
<i>State and tribal landfill and/or solid waste disposal site lists</i>								
SWF/LF	0.500		0	0	0	NR	NR	0
<i>State and tribal leaking storage tank lists</i>								
LUST	0.500	1	0	0	0	NR	NR	1

MAP FINDINGS SUMMARY

Database	Search Distance (Miles)	Target Property	< 1/8	1/8 - 1/4	1/4 - 1/2	1/2 - 1	> 1	Total Plotted
INDIAN LUST	0.500		0	0	0	NR	NR	0
SLIC	0.500		0	0	0	NR	NR	0
State and tribal registered storage tank lists								
FEMA UST	0.250		0	0	NR	NR	NR	0
UST	0.250	1	1	0	NR	NR	NR	2
AST	0.250		0	0	NR	NR	NR	0
INDIAN UST	0.250		0	0	NR	NR	NR	0
State and tribal voluntary cleanup sites								
VCP	0.500		0	0	0	NR	NR	0
INDIAN VCP	0.500		0	0	0	NR	NR	0
State and tribal Brownfields sites								
BROWNFIELDS	0.500		0	0	0	NR	NR	0
ADDITIONAL ENVIRONMENTAL RECORDS								
Local Brownfield lists								
US BROWNFIELDS	0.500		0	0	0	NR	NR	0
Local Lists of Landfill / Solid Waste Disposal Sites								
WMUDS/SWAT	0.500		0	0	0	NR	NR	0
SWRCY	0.500		0	0	0	NR	NR	0
HAULERS	0.001		0	NR	NR	NR	NR	0
INDIAN ODI	0.500		0	0	0	NR	NR	0
DEBRIS REGION 9	0.500		0	0	0	NR	NR	0
ODI	0.500		0	0	0	NR	NR	0
IHS OPEN DUMPS	0.500		0	0	0	NR	NR	0
Local Lists of Hazardous waste / Contaminated Sites								
US HIST CDL	0.001		0	NR	NR	NR	NR	0
HIST Cal-Sites	1.000		0	0	0	0	NR	0
SCH	0.250		0	0	NR	NR	NR	0
CDL	0.001		0	NR	NR	NR	NR	0
Toxic Pits	1.000		0	0	0	0	NR	0
US CDL	0.001		0	NR	NR	NR	NR	0
Local Lists of Registered Storage Tanks								
SWEEPS UST	0.250	1	1	0	NR	NR	NR	2
HIST UST	0.250	1	0	0	NR	NR	NR	1
CA FID UST	0.250		0	0	NR	NR	NR	0
Local Land Records								
LIENS	0.001		0	NR	NR	NR	NR	0
LIENS 2	0.001		0	NR	NR	NR	NR	0
DEED	0.500		0	0	0	NR	NR	0
Records of Emergency Release Reports								
HMIRS	0.001		0	NR	NR	NR	NR	0

MAP FINDINGS SUMMARY

Database	Search Distance (Miles)	Target Property	< 1/8	1/8 - 1/4	1/4 - 1/2	1/2 - 1	> 1	Total Plotted
CHMIRS	0.001		0	NR	NR	NR	NR	0
LDS	0.001		0	NR	NR	NR	NR	0
MCS	0.001		0	NR	NR	NR	NR	0
SPILLS 90	0.001		0	NR	NR	NR	NR	0
Other Ascertainable Records								
RCRA NonGen / NLR	0.250		0	0	NR	NR	NR	0
FUDS	1.000		0	0	0	0	NR	0
DOD	1.000		0	0	0	0	NR	0
SCRD DRYCLEANERS	0.500		0	0	0	NR	NR	0
US FIN ASSUR	0.001		0	NR	NR	NR	NR	0
EPA WATCH LIST	0.001		0	NR	NR	NR	NR	0
2020 COR ACTION	0.250		0	0	NR	NR	NR	0
TSCA	0.001		0	NR	NR	NR	NR	0
TRIS	0.001		0	NR	NR	NR	NR	0
SSTS	0.001		0	NR	NR	NR	NR	0
ROD	1.000		0	0	0	0	NR	0
RMP	0.001		0	NR	NR	NR	NR	0
RAATS	0.001		0	NR	NR	NR	NR	0
PRP	0.001		0	NR	NR	NR	NR	0
PADS	0.001		0	NR	NR	NR	NR	0
ICIS	0.001		0	NR	NR	NR	NR	0
FTTS	0.001		0	NR	NR	NR	NR	0
MLTS	0.001		0	NR	NR	NR	NR	0
COAL ASH DOE	0.001		0	NR	NR	NR	NR	0
COAL ASH EPA	0.500		0	0	0	NR	NR	0
PCB TRANSFORMER	0.001		0	NR	NR	NR	NR	0
RADINFO	0.001		0	NR	NR	NR	NR	0
HIST FTTS	0.001		0	NR	NR	NR	NR	0
DOT OPS	0.001		0	NR	NR	NR	NR	0
CONSENT	1.000		0	0	0	0	NR	0
INDIAN RESERV	0.001		0	NR	NR	NR	NR	0
FUSRAP	1.000		0	0	0	0	NR	0
UMTRA	0.500		0	0	0	NR	NR	0
LEAD SMELTERS	0.001		0	NR	NR	NR	NR	0
US AIRS	0.001		0	NR	NR	NR	NR	0
US MINES	0.250		0	0	NR	NR	NR	0
ABANDONED MINES	0.001		0	NR	NR	NR	NR	0
FINDS	0.001	2	1	NR	NR	NR	NR	3
UXO	1.000		0	0	0	0	NR	0
DOCKET HWC	0.001		0	NR	NR	NR	NR	0
ECHO	0.001		1	NR	NR	NR	NR	1
FUELS PROGRAM	0.250		0	0	NR	NR	NR	0
CA BOND EXP. PLAN	1.000		0	0	0	0	NR	0
Cortese	0.500		0	0	0	NR	NR	0
CUPA Listings	0.250	1	3	1	NR	NR	NR	5
DRYCLEANERS	0.250		0	0	NR	NR	NR	0
EMI	0.001		0	NR	NR	NR	NR	0
ENF	0.001		0	NR	NR	NR	NR	0
Financial Assurance	0.001		0	NR	NR	NR	NR	0
HAZNET	0.001	4	0	NR	NR	NR	NR	4

MAP FINDINGS

Map ID
Direction
Distance
Elevation

Site

Database(s)

EDR ID Number
EPA ID Number

A1 **UNION SS #5162 (CLOSED-CO)**
Target **1020 SARATOGA WY**
Property **EL DORADO HILLS, CA**

RGA LUST **S114709445**
N/A

Site 1 of 15 in cluster A

Actual: RGA LUST:
649 ft. 1993 UNION SS #5162 (CLOSED-CO) 1020 SARATOGA WY

A2 **UNION SS #5162**
Target **1020 SARATOGA WY**
Property **EL DORADO HILLS, CA**

RGA LUST **S114709446**
N/A

Site 2 of 15 in cluster A

Actual: RGA LUST:
649 ft. 1994 UNION SS #5162 1020 SARATOGA WY

A3 **NORRIS ENTERPRISES INC**
Target **1020 SARATOGA WAY**
Property **EL DORADO HILLS, CA 95762**

EDR Hist Auto **1020905098**
N/A

Site 3 of 15 in cluster A

Actual: EDR Hist Auto
649 ft.

Year:	Name:	Type:
1992	NORRIS ENTERPRISES	Gasoline Service Stations
1993	NORRIS ENTERPRISES INC	Gasoline Service Stations
1994	NORRIS ENTERPRISES INC	Gasoline Service Stations
1995	NORRIS ENTERPRISES INC	Gasoline Service Stations
1996	NORRIS ENTERPRISES INC	Gasoline Service Stations
1997	NORRIS ENTERPRISES INC	Gasoline Service Stations
1998	NORRIS ENTERPRISES INC	Gasoline Service Stations
1999	NORRIS ENTERPRISES INC	Gasoline Service Stations
2000	NORRIS ENTERPRISES INC	Gasoline Service Stations
2001	NORRIS ENTERPRISES INC	Gasoline Service Stations
2002	NORRIS ENTERPRISES INC	Gasoline Service Stations
2003	NORRIS ENTERPRISES INC	Gasoline Service Stations
2004	NORRIS ENTERPRISES INC	Gasoline Service Stations
2005	NORRIS ENTERPRISES INC	Gasoline Service Stations
2006	NORRIS ENTERPRISES INC	Gasoline Service Stations
2007	NORRIS ENTERPRISES INC	Gasoline Service Stations
2008	NORRIS ENTERPRISES INC	Gasoline Service Stations
2009	NORRIS ENTERPRISES INC	Gasoline Service Stations
2010	NORRIS ENTERPRISES INC	Gasoline Service Stations
2011	NORRIS ENTERPRISES INC	Gasoline Service Stations
2012	NORRIS ENTERPRISES INC	Gasoline Service Stations
2013	NORRIS ENTERPRISES INC	Gasoline Service Stations
2014	NORRIS ENTERPRISES INC	Gasoline Service Stations

Map ID
Direction
Distance
Elevation

MAP FINDINGS

Site

Database(s)

EDR ID Number
EPA ID Number

A4 EL DORADO HILLS CAR CARE
Target 1020 SARATOGA WAY
Property EL DORADO HILLS, CA 95762

UST U004082763
N/A

Site 4 of 15 in cluster A

Actual:
649 ft.

UST:

Facility ID: Not reported
Permitting Agency: El Dorado County Environmental Management
Latitude: 38.6539
Longitude: -121.0704

Facility ID: Not reported
Permitting Agency: El Dorado County Environmental Management
Latitude: 38.654
Longitude: -121.0703

Facility ID: FA0000392
Permitting Agency: EL DORADO COUNTY
Latitude: 38.6553062
Longitude: -121.0690249

A5 NORRIS ENT INC DBA EL DORADO HILLS 76
Target 1020 SARATOGA WY
Property EL DORADO HILLS, CA 95762

HAZNET S113067103
N/A

Site 5 of 15 in cluster A

Actual:
649 ft.

HAZNET:

envid: S113067103
Year: 2008
GEPaid: CAL000117531
Contact: HARRY NORRIS PRESIDENT
Telephone: 9169334079
Mailing Name: Not reported
Mailing Address: 2520 MORMON ISLAND DR
Mailing City,St,Zip: EL DORADO HILLS, CA 95762
Gen County: Not reported
TSD EPA ID: CAD982444481
TSD County: Not reported
Waste Category: Aqueous solution with total organic residues less than 10 percent
Disposal Method: Storage, Bulking, And/Or Transfer Off Site--No Treatment/Recovery (H010-H129) Or (H131-H135)
Tons: 0.42
Cat Decode: Not reported
Method Decode: Not reported
Facility County: El Dorado

envid: S113067103
Year: 2004
GEPaid: CAL000117531
Contact: HARRY NORRIS PRESIDENT
Telephone: 9169334079
Mailing Name: Not reported
Mailing Address: 2520 MORMON ISLAND DR
Mailing City,St,Zip: EL DORADO HILLS, CA 95762
Gen County: Not reported
TSD EPA ID: CA0000084517
TSD County: Not reported
Waste Category: Aqueous solution with total organic residues less than 10 percent

Map ID
Direction
Distance
Elevation

MAP FINDINGS

Site

Database(s)

EDR ID Number
EPA ID Number

NORRIS ENT INC DBA EL DORADO HILLS 76 (Continued)

S113067103

Disposal Method: Transfer Station
Tons: 0.03
Cat Decode: Not reported
Method Decode: Not reported
Facility County: El Dorado

envid: S113067103
Year: 2003
GEPaid: CAL000117531
Contact: HARRY NORRIS PRESIDENT
Telephone: 9169334079
Mailing Name: Not reported
Mailing Address: 2520 MORMON ISLAND DR
Mailing City,St,Zip: EL DORADO HILLS, CA 95762
Gen County: Not reported
TSD EPA ID: CA0000084517
TSD County: Not reported
Waste Category: Aqueous solution with total organic residues less than 10 percent
Disposal Method: Transfer Station
Tons: 0.05
Cat Decode: Not reported
Method Decode: Not reported
Facility County: El Dorado

envid: S113067103
Year: 2002
GEPaid: CAL000117531
Contact: HARRY NORRIS PRESIDENT
Telephone: 9169334079
Mailing Name: Not reported
Mailing Address: 2520 MORMON ISLAND DR
Mailing City,St,Zip: EL DORADO HILLS, CA 95762
Gen County: Not reported
TSD EPA ID: CA0000084517
TSD County: Not reported
Waste Category: Aqueous solution with total organic residues less than 10 percent
Disposal Method: Transfer Station
Tons: 0.01
Cat Decode: Not reported
Method Decode: Not reported
Facility County: El Dorado

envid: S113067103
Year: 1996
GEPaid: CAL000117531
Contact: NORRIS ENTERPRISES INC
Telephone: 9169334079
Mailing Name: Not reported
Mailing Address: 1020 SARATOGA WAY
Mailing City,St,Zip: EL DORADO HILLS, CA 957620000
Gen County: Not reported
TSD EPA ID: CAD980887418
TSD County: Not reported
Waste Category: Waste oil and mixed oil
Disposal Method: Recycler
Tons: 1.1467
Cat Decode: Not reported

Map ID
Direction
Distance
Elevation

MAP FINDINGS

Site

Database(s)

EDR ID Number
EPA ID Number

NORRIS ENT INC DBA EL DORADO HILLS 76 (Continued)

S113067103

Method Decode: Not reported
Facility County: 9

[Click this hyperlink](#) while viewing on your computer to access
1 additional CA_HAZNET: record(s) in the EDR Site Report.

**A6
Target
Property**

**UNION #5162
1020 SARATOGA WY
EL DORADO HILL, CA**

**RGA LUST S114709097
N/A**

Site 6 of 15 in cluster A

**Actual:
649 ft.**

RGA LUST:
2001 UNION #5162 1020 SARATOGA WY

**A7
Target
Property**

**UNION #5162
1020 SARATOGA WY
EL DORADO HILLS, CA 95630**

**FINDS 1023259224
N/A**

Site 7 of 15 in cluster A

**Actual:
649 ft.**

FINDS:
Registry ID: 110065484728
Environmental Interest/Information System
STATE MASTER

[Click this hyperlink](#) while viewing on your computer to access
additional FINDS: detail in the EDR Site Report.

**A8
Target
Property**

**UNOCAL SERVICE STATION #5162
1020 SARATOGA WAY
EL DORADO HILLS, CA 95762**

**HAZNET S113021845
N/A**

Site 8 of 15 in cluster A

**Actual:
649 ft.**

HAZNET:
envid: S113021845
Year: 1997
GEPaid: CAL000000548
Contact: UNION OIL CO
Telephone: 7144286560
Mailing Name: Not reported
Mailing Address: PO BOX 25376
Mailing City,St,Zip: SANTA ANA, CA 927995376
Gen County: Not reported
TSD EPA ID: CAD009452657
TSD County: Not reported
Waste Category: Aqueous solution with total organic residues 10 percent or more
Disposal Method: Recycler
Tons: .0417
Cat Decode: Not reported
Method Decode: Not reported

Map ID
Direction
Distance
Elevation

MAP FINDINGS

Site

Database(s)

EDR ID Number
EPA ID Number

UNOCAL SERVICE STATION #5162 (Continued)

S113021845

Facility County: 9

**A9
Target
Property**

**TOSCO CORPORATION SS#30814
1020 SARATOGA WAY
EL DORADO, CA 95630**

**HAZNET S113086244
N/A**

Site 9 of 15 in cluster A

**Actual:
649 ft.**

HAZNET:

envid: S113086244
Year: 2001
GEPAID: CAL000161496
Contact: HAZMAT SPECIALIST
Telephone: 6027284180
Mailing Name: Not reported
Mailing Address: PO BOX 52085
Mailing City,St,Zip: PHOENIX, AZ 850722085
Gen County: Not reported
TSD EPA ID: CAD028409019
TSD County: Not reported
Waste Category: Unspecified organic liquid mixture
Disposal Method: Transfer Station
Tons: 0.16
Cat Decode: Not reported
Method Decode: Not reported
Facility County: El Dorado

envid: S113086244
Year: 2000
GEPAID: CAL000161496
Contact: HAZMAT SPECIALIST
Telephone: 6027284180
Mailing Name: Not reported
Mailing Address: PO BOX 52085
Mailing City,St,Zip: PHOENIX, AZ 850722085
Gen County: Not reported
TSD EPA ID: CAD009452657
TSD County: Not reported
Waste Category: Aqueous solution with total organic residues 10 percent or more
Disposal Method: Recycler
Tons: 0.14
Cat Decode: Not reported
Method Decode: Not reported
Facility County: El Dorado

envid: S113086244
Year: 1999
GEPAID: CAL000161496
Contact: TOSCO MARKETING
Telephone: 6027284180
Mailing Name: Not reported
Mailing Address: P O BOX 52085
Mailing City,St,Zip: PHOENIX, AZ 850722085
Gen County: Not reported
TSD EPA ID: CAD009452657
TSD County: Not reported
Waste Category: Aqueous solution with total organic residues 10 percent or more
Disposal Method: Recycler

Map ID
Direction
Distance
Elevation

MAP FINDINGS

Site

Database(s)

EDR ID Number
EPA ID Number

TOSCO CORPORATION SS#30814 (Continued)

S113086244

Tons: .0625
Cat Decode: Not reported
Method Decode: Not reported
Facility County: 9

envid: S113086244
Year: 1998
GEPaid: CAL000161496
Contact: TOSCO MARKETING
Telephone: 6027284180
Mailing Name: Not reported
Mailing Address: P O BOX 52085
Mailing City,St,Zip: PHOENIX, AZ 850722085
Gen County: Not reported
TSD EPA ID: CAD009452657
TSD County: Not reported
Waste Category: Aqueous solution with total organic residues 10 percent or more
Disposal Method: Recycler
Tons: .1667
Cat Decode: Not reported
Method Decode: Not reported
Facility County: 9

envid: S113086244
Year: 1997
GEPaid: CAL000161496
Contact: TOSCO MARKETING
Telephone: 6027284180
Mailing Name: Not reported
Mailing Address: P O BOX 52085
Mailing City,St,Zip: PHOENIX, AZ 850722085
Gen County: Not reported
TSD EPA ID: CAD009466392
TSD County: Not reported
Waste Category: Other empty containers 30 gallons or more
Disposal Method: Recycler
Tons: .5000
Cat Decode: Not reported
Method Decode: Not reported
Facility County: 9

[Click this hyperlink](#) while viewing on your computer to access additional CA_HAZNET: detail in the EDR Site Report.

A10 **UNION #5162**
Target **1020 SARATOGA WY**
Property **EL DORADO HILLS, CA 95630**

LUST **S103620615**
CUPA Listings **N/A**
HAZNET
HIST CORTESE

Site 10 of 15 in cluster A

Actual: **LUST:**
649 ft. Region: STATE
 Global Id: T0601700004
 Latitude: 38.654002
 Longitude: -121.070229
 Case Type: LUST Cleanup Site
 Status: Completed - Case Closed
 Status Date: 06/13/1991

Map ID
Direction
Distance
Elevation

MAP FINDINGS

Site

Database(s)

EDR ID Number
EPA ID Number

UNION #5162 (Continued)

S103620615

Lead Agency: CENTRAL VALLEY RWQCB (REGION 5S)
Case Worker: Not reported
Local Agency: Not reported
RB Case Number: 090006
LOC Case Number: Not reported
File Location: Not reported
Potential Media Affect: Soil
Potential Contaminants of Concern: Gasoline
Site History: Not reported

[Click here to access the California GeoTracker records for this facility:](#)

Status History:

Global Id: T0601700004
Status: Completed - Case Closed
Status Date: 06/13/1991

Global Id: T0601700004
Status: Open - Case Begin Date
Status Date: 09/22/1987

Global Id: T0601700004
Status: Open - Site Assessment
Status Date: 09/22/1987

Regulatory Activities:

Global Id: T0601700004
Action Type: Other
Date: 11/01/1989
Action: Leak Discovery

Global Id: T0601700004
Action Type: Other
Date: 01/05/1993
Action: Leak Reported

Global Id: T0601700004
Action Type: ENFORCEMENT
Date: 01/05/1993
Action: Referral to Regional Board

LUST REG 5:

Region: 5
Status: Case Closed
Case Number: 090006
Case Type: Soil only
Substance: GASOLINE
Staff Initials: PGM
Lead Agency: Regional
Program: LUST
MTBE Code: N/A

CUPA EL DORADO:

PE: BUSINESS PLANS/SMALL BUSINESS
Status: Active, billable

Map ID
Direction
Distance
Elevation

MAP FINDINGS

Site

Database(s)

EDR ID Number
EPA ID Number

UNION #5162 (Continued)

S103620615

Latitude: 38.653919
Longitude: -121.070406
Name: Sukhbir Singh Bhullar
Email: Not reported
Address2: Not reported
Permit: PT0001394
Phone: 9169338122
Second Phone: 9169338122
APN: Not reported
RP Name: Sukhbir Singh Bhullar
RP Care of: Sukhbir Singh Bhullar
RP Phone: 9163001992
GIS Elevation: 620
CERSID: 10202527
Business Type: MOTOR VEHICLE FUEL
Current Inspection Date: 06/03/2019
Last Inspection Date: 08/11/2017

PE: U.G.S.T. ANNUAL PERMIT
Status: Active, billable
Latitude: 38.653919
Longitude: -121.070406
Name: Sukhbir Singh Bhullar
Email: Not reported
Address2: Not reported
Permit: PT0000031
Phone: 9169338122
Second Phone: 9169338122
APN: Not reported
RP Name: Sukhbir Singh Bhullar
RP Care of: Sukhbir Singh Bhullar
RP Phone: 9163001992
GIS Elevation: 620
CERSID: 10202527
Business Type: MOTOR VEHICLE FUEL
Current Inspection Date: 06/03/2019
Last Inspection Date: 08/11/2017

PE: U.G.S.T. ANNUAL PERMIT
Status: Active, billable
Latitude: 38.654000
Longitude: -121.070300
Name: Michael Cox
Email: Not reported
Address2: Not reported
Permit: PT0014743
Phone: 9169330835
Second Phone: 9163081044
APN: Not reported
RP Name: Michael Cox
RP Care of: Not reported
RP Phone: 9163081044
GIS Elevation: Not reported
CERSID: 10509229
Business Type: OTHER
Current Inspection Date: 06/03/2019
Last Inspection Date: 08/11/2017

Map ID
Direction
Distance
Elevation

MAP FINDINGS

Site

Database(s)

EDR ID Number
EPA ID Number

UNION #5162 (Continued)

S103620615

HAZNET:

envid: S103620615
Year: 2015
GEPaid: CAL000346904
Contact: SUKHBIR BHULLAR
Telephone: 9163001992
Mailing Name: Not reported
Mailing Address: 1020 SARATOGA WAY
Mailing City,St,Zip: EL DORADO HILLS, CA 957620000
Gen County: El Dorado
TSD EPA ID: CAT080013352
TSD County: Los Angeles
Waste Category: Unspecified organic liquid mixture
Disposal Method: Other Recovery Of Reclamation For Reuse Including Acid Regeneration,
Organics Recovery Ect
Tons: 0.17
Cat Decode: Unspecified organic liquid mixture
Method Decode: Other Recovery Of Reclamation For Reuse Including Acid Regeneration,
Organics Recovery Ect
Facility County: El Dorado

HIST CORTESE:

Region: CORTESE
Facility County Code: 9
Reg By: LTNKA
Reg Id: 090006

A11 UNOCAL SS #5162
Target 1020 SARATOGA WAY
Property EL DORADO HILLS, CA 95630

SWEEPS UST U001612911
HIST UST N/A

Site 11 of 15 in cluster A

**Actual:
649 ft.**

SWEEPS UST:

Status: Active
Comp Number: 56433
Number: 1
Board Of Equalization: 44-001057
Referral Date: 12-21-92
Action Date: 06-01-93
Created Date: 10-13-88
Owner Tank Id: 5162-11
SWRCB Tank Id: 09-000-056433-000001
Tank Status: A
Capacity: 12000
Active Date: 12-21-92
Tank Use: M.V. FUEL
STG: P
Content: REG UNLEADED
Number Of Tanks: 4

Status: Active
Comp Number: 56433
Number: 1
Board Of Equalization: 44-001057
Referral Date: 12-21-92
Action Date: 06-01-93

Map ID
Direction
Distance
Elevation

MAP FINDINGS

Site

Database(s)

EDR ID Number
EPA ID Number

UNOCAL SS #5162 (Continued)

U001612911

Created Date: 10-13-88
Owner Tank Id: 5162-22
SWRCB Tank Id: 09-000-056433-000002
Tank Status: A
Capacity: 12000
Active Date: 12-21-92
Tank Use: M.V. FUEL
STG: P
Content: PRM UNLEADED
Number Of Tanks: Not reported

Status: Active
Comp Number: 56433
Number: 1
Board Of Equalization: 44-001057
Referral Date: 12-21-92
Action Date: 06-01-93
Created Date: 10-13-88
Owner Tank Id: 5162-3-1
SWRCB Tank Id: 09-000-056433-000003
Tank Status: A
Capacity: 520
Active Date: 04-08-88
Tank Use: M.V. FUEL
STG: P
Content: DIESEL
Number Of Tanks: Not reported

Status: Active
Comp Number: 56433
Number: 1
Board Of Equalization: 44-001057
Referral Date: 12-21-92
Action Date: 06-01-93
Created Date: 10-13-88
Owner Tank Id: 5162-3-4
SWRCB Tank Id: 09-000-056433-000004
Tank Status: A
Capacity: 550
Active Date: 12-21-92
Tank Use: OIL
STG: W
Content: WASTE OIL
Number Of Tanks: Not reported

HIST UST:

File Number: 00023678
URL: <http://geotracker.waterboards.ca.gov/ustpdfs/pdf/00023678.pdf>
Region: STATE
Facility ID: 00000056433
Facility Type: Gas Station
Other Type: Not reported
Contact Name: HARRY J. NORRIS
Telephone: 9169330835
Owner Name: UNION OIL COMPANY OF CALIFORNI
Owner Address: P.O. BOX 1948
Owner City,St,Zip: SACRAMENTO, CA 95809

Map ID
 Direction
 Distance
 Elevation

MAP FINDINGS

Site

Database(s)

EDR ID Number
 EPA ID Number

UNOCAL SS #5162 (Continued)

U001612911

Total Tanks: 0004

Tank Num: 001
 Container Num: 1
 Year Installed: Not reported
 Tank Capacity: 00010000
 Tank Used for: PRODUCT
 Type of Fuel: UNLEADED
 Container Construction Thickness: Not reported
 Leak Detection: Stock Inventor, None

Tank Num: 002
 Container Num: 2
 Year Installed: Not reported
 Tank Capacity: 00010000
 Tank Used for: PRODUCT
 Type of Fuel: PREMIUM
 Container Construction Thickness: Not reported
 Leak Detection: Stock Inventor

Tank Num: 003
 Container Num: 3
 Year Installed: Not reported
 Tank Capacity: 00000500
 Tank Used for: PRODUCT
 Type of Fuel: DIESEL
 Container Construction Thickness: Not reported
 Leak Detection: Visual

Tank Num: 004
 Container Num: 4
 Year Installed: Not reported
 Tank Capacity: 00000000
 Tank Used for: WASTE
 Type of Fuel: WASTE OIL
 Container Construction Thickness: Not reported
 Leak Detection: Visual

[Click here for Geo Tracker PDF:](#)

**A12
 Target
 Property**

**EL DORADO HILLS UNION SERVICE
 1020 SARATOGA WAY
 FOLSOM, CA 95630**

**EDR Hist Auto 1022229637
 N/A**

Site 12 of 15 in cluster A

**Actual:
 649 ft.**

EDR Hist Auto

Year:	Name:	Type:
1969	EL DORADO HILLS UNION SERVICE	Gasoline Service Stations
1970	EL DORADO HILLS UNION SERVICE	Gasoline Service Stations
1971	EL DORADO HILLS UNION SERVICE	Gasoline Service Stations
1972	EL DORADO HILLS UNION SERVICE	Gasoline Service Stations
1973	EL DORADO HILLS UNION SERVICE	Gasoline Service Stations
1974	EL DORADO HILLS UNION SERVICE	Gasoline Service Stations
1975	EL DORADO HILLS UNION SERVICE	Gasoline Service Stations
1985	EL DORADO HILLS UNION SERVICE*	Gasoline Service Stations
1986	EL DORADO HILLS UNION SERVICE	Gasoline Service Stations

Map ID
 Direction
 Distance
 Elevation

MAP FINDINGS

Site

Database(s)

EDR ID Number
 EPA ID Number

EL DORADO HILLS UNION SERVICE (Continued)

1022229637

1987	EL DORADO HILLS UNION SERVICE	Gasoline Service Stations
1988	EL DORADO HILLS UNION SERVICE	Gasoline Service Stations
1989	NORRIS ENTERPRISES	Gasoline Service Stations
1990	NORRIS ENTERPRISES	Gasoline Service Stations
1991	NORRIS ENTERPRISES	Gasoline Service Stations

A13
 Target
 Property

UNION #5162
1020 SARATOGA WY
EL DORADO HILLS, CA

RGA LUST **S114709098**
 N/A

Site 13 of 15 in cluster A

Actual:
649 ft.

RGA LUST:

2012	UNION #5162	1020 SARATOGA WY
2011	UNION #5162	1020 SARATOGA WY
2010	UNION #5162	1020 SARATOGA WY
2009	UNION #5162	1020 SARATOGA WY
2008	UNION #5162	1020 SARATOGA WY
2007	UNION #5162	1020 SARATOGA WY
2006	UNION #5162	1020 SARATOGA WY
2005	UNION #5162	1020 SARATOGA WY
2003	UNION #5162	1020 SARATOGA WY
2002	UNION #5162	1020 SARATOGA WY
2000	UNION #5162	1020 SARATOGA WY
1998	UNION #5162	1020 SARATOGA WY
1997	UNION #5162	1020 SARATOGA WY
1996	UNION #5162	1020 SARATOGA WY
1995	UNION #5162	1020 SARATOGA WY

A14
 Target
 Property

EL DORADO HILLS CAR CARE
1020 SARATOGA WAY
EL DORADO HILLS, CA 95762

FINDS **1023310410**
 N/A

Site 14 of 15 in cluster A

Actual:
649 ft.

FINDS:

Registry ID: 110066031939

Environmental Interest/Information System
 STATE MASTER

Click this hyperlink while viewing on your computer to access additional FINDS: detail in the EDR Site Report.

MAP FINDINGS

Map ID
Direction
Distance
Elevation

Site

Database(s)

EDR ID Number
EPA ID Number

A15 **WALGREENS #12840**
8230 SARATOGA WAY
< 1/8 **EL DORADO HILLS, CA 95762**
0.001 mi.
4 ft. **Site 15 of 15 in cluster A**

FINDS **1016784931**
ECHO **N/A**

Relative:
Lower

FINDS:

Registry ID: 110058262758

Actual:
635 ft.

Environmental Interest/Information System

RCRAInfo is a national information system that supports the Resource Conservation and Recovery Act (RCRA) program through the tracking of events and activities related to facilities that generate, transport, and treat, store, or dispose of hazardous waste. RCRAInfo allows RCRA program staff to track the notification, permit, compliance, and corrective action activities required under RCRA.

STATE MASTER

HAZARDOUS WASTE BIENNIAL REPORTER

[Click this hyperlink](#) while viewing on your computer to access additional FINDS: detail in the EDR Site Report.

ECHO:

Envid: 1016784931
Registry ID: 110058262758
DFR URL: <http://echo.epa.gov/detailed-facility-report?fid=110058262758>

B16 **EL DORADO HILLS SHELL**
East **1021 SARATOGA WAY**
< 1/8 **EL DORADO HILLS, CA 95762**
0.040 mi.
209 ft. **Site 1 of 4 in cluster B**

UST **U003785994**
N/A

Relative:
Lower

UST:

Facility ID: Not reported
Permitting Agency: El Dorado County Environmental Management
Latitude: 38.6545
Longitude: -121.071

Actual:
645 ft.

Facility ID: FA0001880
Permitting Agency: EL DORADO COUNTY
Latitude: 38.6562384
Longitude: -121.0693661

MAP FINDINGS

Map ID
Direction
Distance
Elevation

Site

Database(s)

EDR ID Number
EPA ID Number

B17 SWANSONS CLEANERS
East 1021 SARATOGA WAY
< 1/8 EL DORADO HILLS, CA 95762
0.040 mi.
209 ft. Site 2 of 4 in cluster B

EDR Hist Cleaner 1020100680
N/A

Relative:
Lower

EDR Hist Cleaner

Actual:
645 ft.

Year: Name:
1993 SWANSONS CLEANERS
1994 SWANSONS CLEANERS

Type:
Drycleaning Plants, Except Rugs
Drycleaning Plants, Except Rugs

B18 TOOLEY OIL COMPANY
East 1021 SARATOGA WAY
< 1/8 EL DORADO HILLS, CA 95762
0.040 mi.
209 ft. Site 3 of 4 in cluster B

EDR Hist Auto 1021545268
N/A

Relative:
Lower

EDR Hist Auto

Actual:
645 ft.

Year:	Name:	Type:
2001	TOOLEY OIL CO	Gasoline Service Stations
2002	TOOLEY OIL CO	Gasoline Service Stations
2003	TOOLEY OIL COMPANY	Gasoline Service Stations
2004	TOOLEY OIL COMPANY	Gasoline Service Stations
2005	TOOLEY OIL COMPANY	Gasoline Service Stations
2006	TOOLEY OIL COMPANY	Gasoline Service Stations
2007	TOOLEY OIL COMPANY	Gasoline Service Stations
2008	TOOLEY OIL COMPANY	Gasoline Service Stations
2009	TOOLEY OIL COMPANY	Gasoline Service Stations
2010	TOOLEY OIL COMPANY	Gasoline Service Stations
2011	TOOLEY OIL COMPANY	Gasoline Service Stations
2012	TOOLEY OIL COMPANY	Gasoline Service Stations
2013	TOOLEY OIL COMPANY	Gasoline Service Stations
2014	TOOLEY OIL COMPANY	Gasoline Service Stations

B19 SHELL SERVICE STATION
East 1021 SARATOGA WAY
< 1/8 EL DORADO HILLS, CA 95762
0.040 mi.
209 ft. Site 4 of 4 in cluster B

RCRA-SQG 1005904547
FINDS CAR000127621
ECHO
CUPA Listings
HAZNET

Relative:
Lower

RCRA-SQG:

Actual:
645 ft.

Date form received by agency: 09/03/2002
Facility name: SHELL SERVICE STATION
Facility address: 1021 SARATOGA WAY
S A P 135253
EL DORADO HILLS, CA 95762
EPA ID: CAR000127621
Mailing address: P O BOX 2648
HOUSTON, TX 772522648
Contact: SONDRA BIENVENU
Contact address: P O BOX 2648
HOUSTON, TX 772522648
Contact country: US
Contact telephone: (713) 241-5036
Contact email: Not reported
EPA Region: 09

Map ID
Direction
Distance
Elevation

MAP FINDINGS

Site

Database(s)

EDR ID Number
EPA ID Number

SHELL SERVICE STATION (Continued)

1005904547

Classification: Small Small Quantity Generator
Description: Handler: generates more than 100 and less than 1000 kg of hazardous waste during any calendar month and accumulates less than 6000 kg of hazardous waste at any time; or generates 100 kg or less of hazardous waste during any calendar month, and accumulates more than 1000 kg of hazardous waste at any time

Owner/Operator Summary:

Owner/operator name: EQUILON ENTERPRISES LLC DBA
Owner/operator address: P O BOX 2648
HOUSTON, TX 77252
Owner/operator country: Not reported
Owner/operator telephone: (713) 241-5036
Legal status: Private
Owner/Operator Type: Owner
Owner/Op start date: Not reported
Owner/Op end date: Not reported

Handler Activities Summary:

U.S. importer of hazardous waste: No
Mixed waste (haz. and radioactive): No
Recycler of hazardous waste: No
Transporter of hazardous waste: No
Treater, storer or disposer of HW: No
Underground injection activity: No
On-site burner exemption: No
Furnace exemption: No
Used oil fuel burner: No
Used oil processor: No
Used oil refiner: No
Used oil fuel marketer to burner: No
Used oil Specification marketer: No
Used oil transfer facility: No
Used oil transporter: No

. Waste code: D001
. Waste name: IGNITABLE WASTE

. Waste code: D018
. Waste name: BENZENE

Violation Status: No violations found

FINDS:

Registry ID: 110013306430

Environmental Interest/Information System

California Hazardous Waste Tracking System - Datamart (HWTS-DATAMART) provides California with information on hazardous waste shipments for generators, transporters, and treatment, storage, and disposal facilities.

RCRAInfo is a national information system that supports the Resource Conservation and Recovery Act (RCRA) program through the tracking of events and activities related to facilities that generate, transport, and treat, store, or dispose of hazardous waste. RCRAInfo allows RCRA

Map ID
Direction
Distance
Elevation

MAP FINDINGS

Site

Database(s)

EDR ID Number
EPA ID Number

SHELL SERVICE STATION (Continued)

1005904547

program staff to track the notification, permit, compliance, and corrective action activities required under RCRA.

[Click this hyperlink](#) while viewing on your computer to access additional FINDS: detail in the EDR Site Report.

ECHO:

Envid: 1005904547
Registry ID: 110013306430
DFR URL: <http://echo.epa.gov/detailed-facility-report?fid=110013306430>

CUPA EL DORADO:

PE: BUSINESS PLANS/SMALL BUSINESS
Status: Active, billable
Latitude: 38.654500
Longitude: -121.071000
Name: Micnan, LLC
Email: MARIEANNE@TOOLEYOIL.COM
Address2: Not reported
Permit: PT0002998
Phone: 9169339092
Second Phone: 9169721228
APN: 121-180-08
RP Name: Michael Tooley
RP Care of: Not reported
RP Phone: 9169721228
GIS Elevation: 631
CERSID: 10203127
Business Type: MOTOR VEHICLE FUEL
Current Inspection Date: 04/07/2019
Last Inspection Date: 04/07/2016

PE: U.G.S.T. ANNUAL PERMIT
Status: Active, billable
Latitude: 38.654500
Longitude: -121.071000
Name: Micnan, LLC
Email: MARIEANNE@TOOLEYOIL.COM
Address2: Not reported
Permit: PT0002999
Phone: 9169339092
Second Phone: 9169721228
APN: 121-180-08
RP Name: Michael Tooley
RP Care of: Not reported
RP Phone: 9169721228
GIS Elevation: 631
CERSID: 10203127
Business Type: MOTOR VEHICLE FUEL
Current Inspection Date: 04/07/2019
Last Inspection Date: 04/07/2016

HAZNET:

envid: 1005904547
Year: 2003

Map ID
Direction
Distance
Elevation

MAP FINDINGS

Site

Database(s)

EDR ID Number
EPA ID Number

SHELL SERVICE STATION (Continued)

1005904547

GEPaid: CAR000127621
Contact: N CORTEZ/ENVTL DATA ANALYST
Telephone: 2818742224
Mailing Name: Not reported
Mailing Address: 12700 NORTHBOROUGH DRIVE MFT 240-G
Mailing City,St,Zip: Houston, TX 770672508
Gen County: Not reported
TSD EPA ID: CAD028409019
TSD County: Not reported
Waste Category: Other organic solids
Disposal Method: Transfer Station
Tons: 0.01
Cat Decode: Not reported
Method Decode: Not reported
Facility County: El Dorado

envid: 1005904547
Year: 2002
GEPaid: CAR000127621
Contact: N CORTEZ/ENVTL DATA ANALYST
Telephone: 2818742224
Mailing Name: Not reported
Mailing Address: 12700 NORTHBOROUGH DRIVE MFT 240-G
Mailing City,St,Zip: Houston, TX 770672508
Gen County: Not reported
TSD EPA ID: CAD028409019
TSD County: Not reported
Waste Category: Unspecified organic liquid mixture
Disposal Method: Treatment, Tank
Tons: 0.45
Cat Decode: Not reported
Method Decode: Not reported
Facility County: El Dorado

20
North
< 1/8
0.057 mi.
299 ft.

WALGREENS #12840
8230 SARATOGA WAY
EL DORADO HILLS, CA 95762

CUPA Listings S111347274
N/A

Relative:
Higher

CUPA EL DORADO:
PE: BUSINESS PLANS/SMALL BUSINESS
Status: Active, billable
Latitude: 38.656100
Longitude: -121.072200
Name: Walgreen Co.
Email: Not reported
Address2: Not reported
Permit: PT0013147
Phone: 9169396439
Second Phone: 8479142264
APN: 120-690-09
RP Name: 3E Company, Regulatory Dept / Walgreens
RP Care of: REGULATORY DEPARTMENT
RP Phone: 7606028700
GIS Elevation: Not reported
CERSID: 10204462
Business Type: OTHER

Actual:
663 ft.

Map ID
Direction
Distance
Elevation

MAP FINDINGS

Site

Database(s)

EDR ID Number
EPA ID Number

WALGREENS #12840 (Continued)

S111347274

Current Inspection Date: 11/01/2016
Last Inspection Date: Not reported

**C21
ENE
< 1/8
0.080 mi.
423 ft.**

**RALEY'S SUPERMARKET #424
3935 PARK DR A
EL DORADO HILLS, CA 95762**

**CUPA Listings S110984014
N/A**

Site 1 of 3 in cluster C

**Relative:
Lower**

CUPA EL DORADO:

**Actual:
631 ft.**

PE: BUSINESS PLANS/LARGE BUSINESSES
Status: Active, billable
Latitude: 38.655700
Longitude: -121.069600
Name: Raley's Family of Fine Stores
Email: Not reported
Address2: Not reported
Permit: PT0002342
Phone: 9169330518
Second Phone: 0000000000
APN: 12118002
RP Name: Not reported
RP Care of: Not reported
RP Phone: 0000000000
GIS Elevation: Not reported
CERSID: 10202461
Business Type: OTHER
Current Inspection Date: 08/17/2019
Last Inspection Date: 06/30/2016

**22
NW
< 1/8
0.087 mi.
457 ft.**

**EL DORADO HILLS GOLF CORP
3864 PARK DR
EL DORADO HILLS, CA 95630**

**SWEEPS UST S106925770
N/A**

**Relative:
Higher**

SWEEPS UST:

**Actual:
692 ft.**

Status: Active
Comp Number: 505
Number: 1
Board Of Equalization: 44-002882
Referral Date: 08-02-89
Action Date: 08-02-89
Created Date: 08-02-89
Owner Tank Id: G01
SWRCB Tank Id: 09-000-000505-000001
Tank Status: A
Capacity: 1000
Active Date: 08-02-89
Tank Use: M.V. FUEL
STG: P
Content: LEADED
Number Of Tanks: 3

Status: Active
Comp Number: 505

Map ID
 Direction
 Distance
 Elevation

MAP FINDINGS

Site

Database(s)

EDR ID Number
 EPA ID Number

EL DORADO HILLS GOLF CORP (Continued)

S106925770

Number: 1
 Board Of Equalization: 44-002882
 Referral Date: 08-02-89
 Action Date: 08-02-89
 Created Date: 08-02-89
 Owner Tank Id: D02
 SWRCB Tank Id: 09-000-000505-000002
 Tank Status: A
 Capacity: 550
 Active Date: 08-02-89
 Tank Use: M.V. FUEL
 STG: P
 Content: DIESEL
 Number Of Tanks: Not reported

Status: Active
 Comp Number: 505
 Number: 1
 Board Of Equalization: 44-002882
 Referral Date: 08-02-89
 Action Date: 08-02-89
 Created Date: 08-02-89
 Owner Tank Id: 003
 SWRCB Tank Id: 09-000-000505-000003
 Tank Status: A
 Capacity: 550
 Active Date: 08-02-89
 Tank Use: M.V. FUEL
 STG: P
 Content: LEADED
 Number Of Tanks: Not reported

**C23
 NE
 < 1/8
 0.095 mi.
 503 ft.**

**SWANSONS CLEANERS
 3919 PARK DR STE 100
 EL DORADO HILLS, CA 95762**

**EDR Hist Cleaner 1020100687
 N/A**

Site 2 of 3 in cluster C

**Relative:
 Lower**

EDR Hist Cleaner

**Actual:
 622 ft.**

Year:	Name:	Type:
2002	SWANSONS CLEANERS	Drycleaning Plants, Except Rugs
2003	SWANSONS CLEANERS	Drycleaning Plants, Except Rugs
2004	SWANSONS CLEANERS	Drycleaning Plants, Except Rugs
2005	SWANSONS CLEANERS	Drycleaning Plants, Except Rugs
2006	SWANSONS CLEANERS	Drycleaning Plants, Except Rugs
2007	SWANSONS CLEANERS	Drycleaning Plants, Except Rugs
2008	SWANSONS CLEANERS	Drycleaning Plants, Except Rugs
2009	SWANSONS CLEANERS	Drycleaning Plants, Except Rugs
2010	SWANSONS CLEANERS	Drycleaning Plants, Except Rugs
2011	SWANSONS CLEANERS	Drycleaning Plants, Except Rugs
2012	SWANSONS CLEANERS	Drycleaning Plants, Except Rugs
2013	SWANSONS CLEANERS	Drycleaning Plants, Except Rugs
2014	SWANSONS CLEANERS	Drycleaning Plants, Except Rugs

MAP FINDINGS

Map ID
Direction
Distance
Elevation

Site

Database(s)

EDR ID Number
EPA ID Number

24
East
< 1/8
0.103 mi.
545 ft.

RALEYS INC
3965 PARK DR STE B
EL DORADO HILLS, CA 95762

RCRA-SQG 1000820139
FINDS CAD983661653
ECHO

Relative:
Lower

RCRA-SQG:

Date form received by agency: 03/12/1993
Facility name: RALEYS INC
Facility address: 3965 PARK DR STE B
EL DORADO HILLS, CA 95762
EPA ID: CAD983661653
Mailing address: PARK DR STE B
EL DORADO HILLS, CA 95762
Contact: GARY COAN
Contact address: 3965 PARK DR STE B
EL DORADO HILLS, CA 95762
Contact country: US
Contact telephone: (916) 933-1535
Contact email: Not reported
EPA Region: 09
Classification: Small Small Quantity Generator
Description: Handler: generates more than 100 and less than 1000 kg of hazardous waste during any calendar month and accumulates less than 6000 kg of hazardous waste at any time; or generates 100 kg or less of hazardous waste during any calendar month, and accumulates more than 1000 kg of hazardous waste at any time

Actual:
627 ft.

Owner/Operator Summary:

Owner/operator name: RALEYS INC
Owner/operator address: 500 W CAPITOL AVE
WEST SACRAMENTO, CA 95605
Owner/operator country: Not reported
Owner/operator telephone: (916) 373-3333
Legal status: Private
Owner/Operator Type: Owner
Owner/Op start date: Not reported
Owner/Op end date: Not reported

Handler Activities Summary:

U.S. importer of hazardous waste: No
Mixed waste (haz. and radioactive): No
Recycler of hazardous waste: No
Transporter of hazardous waste: No
Treater, storer or disposer of HW: No
Underground injection activity: No
On-site burner exemption: No
Furnace exemption: No
Used oil fuel burner: No
Used oil processor: No
User oil refiner: No
Used oil fuel marketer to burner: No
Used oil Specification marketer: No
Used oil transfer facility: No
Used oil transporter: No

Violation Status: No violations found

Map ID
 Direction
 Distance
 Elevation

MAP FINDINGS

Site

Database(s)

EDR ID Number
 EPA ID Number

RALEYS INC (Continued)

1000820139

FINDS:

Registry ID: 110002894342

Environmental Interest/Information System

California Hazardous Waste Tracking System - Datamart (HWTS-DATAMART) provides California with information on hazardous waste shipments for generators, transporters, and treatment, storage, and disposal facilities.

RCRAInfo is a national information system that supports the Resource Conservation and Recovery Act (RCRA) program through the tracking of events and activities related to facilities that generate, transport, and treat, store, or dispose of hazardous waste. RCRAInfo allows RCRA program staff to track the notification, permit, compliance, and corrective action activities required under RCRA.

[Click this hyperlink](#) while viewing on your computer to access additional FINDS: detail in the EDR Site Report.

ECHO:

Envid: 1000820139
 Registry ID: 110002894342
 DFR URL: <http://echo.epa.gov/detailed-facility-report?fid=110002894342>

C25
ENE
< 1/8
0.117 mi.
619 ft.

RICHARDO ARTS
3941 PARK DR STE 20
EL DORADO HILLS, CA 95762

EDR Hist Auto 1020848133
N/A

Site 3 of 3 in cluster C

Relative:
Lower

EDR Hist Auto

Actual:
617 ft.

Year:	Name:	Type:
2011	RICHARDO ARTS	Gasoline Service Stations, NEC
2012	RICHARDO ARTS	Gasoline Service Stations, NEC

26
SE
1/8-1/4
0.237 mi.
1254 ft.

CVS/PHARMACY #3909
4560 POST ST
EL DORADO HILLS, CA 95762

CUPA Listings S110983634
N/A

Relative:
Lower

CUPA EL DORADO:

Actual:
606 ft.

PE: BUSINESS PLANS/SMALL BUSINESS
 Status: Inactive, non-billable
 Latitude: 38.651286
 Longitude: -121.069244
 Name: Longs Drug Stores California, L.L.C.
 Email: Not reported
 Address2: Not reported
 Permit: PT0005360
 Phone: 9169340133
 Second Phone: 0000000000

Map ID
Direction
Distance
Elevation

MAP FINDINGS

Site

Database(s)

EDR ID Number
EPA ID Number

CVS/PHARMACY #3909 (Continued)

S110983634

APN: 12128010
RP Name: Not reported
RP Care of: Not reported
RP Phone: 0000000000
GIS Elevation: Not reported
CERSID: Not reported
Business Type: OTHER
Current Inspection Date: 12/19/2010
Last Inspection Date: Not reported

27
WSW
1/2-1
0.933 mi.
4925 ft.

RUSSELL RANCH ELEMENTARY SCHOOL
375 DRY CREEK ROAD
FOLSOM, CA 95630

ENVIROSTOR S108936055
SCH N/A

Relative:
Higher

ENVIROSTOR:

Actual:
663 ft.

Facility ID: 34650003
Status: Certified / Operation & Maintenance
Status Date: 03/21/2008
Site Code: 104402
Site Type: School Cleanup
Site Type Detailed: School
Acres: 10
NPL: NO
Regulatory Agencies: SMBRP
Lead Agency: SMBRP
Program Manager: Mellan Songco
Supervisor: Jose Salcedo
Division Branch: Northern California Schools & Santa Susana
Assembly: 06
Senate: 01
Special Program: Not reported
Restricted Use: NO
Site Mgmt Req: NONE SPECIFIED
Funding: School District
Latitude: 38.65131
Longitude: -121.0907
APN: 072-250-071, 07225000710000
Past Use: NONE
Potential COC: Naturally Occurring Asbestos (NOA)
Confirmed COC: Naturally Occurring Asbestos (NOA)
Potential Description: SOIL
Alias Name: 375 Dry Creek Road, Folsom, California
Alias Type: Alternate Name
Alias Name: EMPIRE RANCH NEW ELEMENTARY
Alias Type: Alternate Name
Alias Name: FOLSOM CORDOVA USD-EMPIRE RANCH NEW ES
Alias Type: Alternate Name
Alias Name: FOLSOM-CORDOVA UNIFIED SCHOOL DISTRICT
Alias Type: Alternate Name
Alias Name: Russell Ranch Elementary School
Alias Type: Alternate Name
Alias Name: 072-250-071
Alias Type: APN
Alias Name: 07225000710000
Alias Type: APN
Alias Name: 110033608950

Map ID
Direction
Distance
Elevation

MAP FINDINGS

Site

Database(s)

EDR ID Number
EPA ID Number

RUSSELL RANCH ELEMENTARY SCHOOL (Continued)

S108936055

Alias Type: EPA (FRS #)
Alias Name: 104402
Alias Type: Project Code (Site Code)
Alias Name: 34650003
Alias Type: Envirostor ID Number

Completed Info:

Completed Area Name: PROJECT WIDE
Completed Sub Area Name: Not reported
Completed Document Type: Site Inspections/Visit (Non LUR)
Completed Date: 08/11/2006
Comments: Not reported

Completed Area Name: PROJECT WIDE
Completed Sub Area Name: Not reported
Completed Document Type: Site Inspections/Visit (Non LUR)
Completed Date: 02/26/2016
Comments: Not reported

Completed Area Name: PROJECT WIDE
Completed Sub Area Name: Not reported
Completed Document Type: Site Inspections/Visit (Non LUR)
Completed Date: 02/24/2009
Comments: Conducted 2009 Annual Inspection - First Annual Inspection. Issues found are: 1) not everyone is up to date with annual NOA training; 2) O&M Inspection training needs to be done; and 3) there was a discrepancy between the O&M Plan and what was seen in the field for the fill used for the three play apparatus.

Completed Area Name: PROJECT WIDE
Completed Sub Area Name: Not reported
Completed Document Type: Site Inspections/Visit (Non LUR)
Completed Date: 09/30/2004
Comments: Not reported

Completed Area Name: PROJECT WIDE
Completed Sub Area Name: Not reported
Completed Document Type: Preliminary Endangerment Assessment Workplan
Completed Date: 09/22/2004
Comments: Not reported

Completed Area Name: PROJECT WIDE
Completed Sub Area Name: Not reported
Completed Document Type: Preliminary Endangerment Assessment Report
Completed Date: 09/26/2005
Comments: DTSC approved the PEA with a further action determination.

Completed Area Name: PROJECT WIDE
Completed Sub Area Name: Not reported
Completed Document Type: Removal Action Workplan
Completed Date: 05/11/2006
Comments: DTSC approved the RAW as final. Responded to a single public comment. Soils containing naturally occurring asbestos will be capped by hardscape and landscape. Landscaped areas will include a warning barrier covered by clean-fill.

Completed Area Name: PROJECT WIDE
Completed Sub Area Name: Not reported

Map ID
Direction
Distance
Elevation

MAP FINDINGS

Site

Database(s)

EDR ID Number
EPA ID Number

RUSSELL RANCH ELEMENTARY SCHOOL (Continued)

S108936055

Completed Document Type: Fact Sheets
Completed Date: 04/06/2006
Comments: Fact Sheet for naturally occurring asbestos Removal Action Workplan issued for public comment period.

Completed Area Name: PROJECT WIDE
Completed Sub Area Name: Not reported
Completed Document Type: Public Notice
Completed Date: 04/06/2006
Comments: Issue Public Notice for naturally occurring asbestos Removal Action Workplan.

Completed Area Name: PROJECT WIDE
Completed Sub Area Name: Not reported
Completed Document Type: 4.15 Request
Completed Date: 06/05/2006
Comments: DTSC approved the Form 4.15.

Completed Area Name: PROJECT WIDE
Completed Sub Area Name: Not reported
Completed Document Type: Technical Workplan
Completed Date: 12/08/2006
Comments: DTSC approved the request for modification to the air monitoring program.

Completed Area Name: PROJECT WIDE
Completed Sub Area Name: Not reported
Completed Document Type: Removal Action Completion Report
Completed Date: 12/06/2007
Comments: DTSC approved the RACR.

Completed Area Name: PROJECT WIDE
Completed Sub Area Name: Not reported
Completed Document Type: Operations and Maintenance Plan
Completed Date: 03/21/2008
Comments: Not reported

Completed Area Name: PROJECT WIDE
Completed Sub Area Name: Not reported
Completed Document Type: Operations and Maintenance Report
Completed Date: 09/29/2009
Comments: DTSC contingently approved the Revised Annual NOA CAP Inspection Report with the following condition: an addendum letter is provided with proof that the maintenance supervisor and the principal attended an annual asbestos awareness training course.

Completed Area Name: PROJECT WIDE
Completed Sub Area Name: Not reported
Completed Document Type: Operations and Maintenance Report
Completed Date: 06/23/2010
Comments: DTSC approved the 2010 Annual O&M Report.

Completed Area Name: PROJECT WIDE
Completed Sub Area Name: Not reported
Completed Document Type: Operations and Maintenance Report
Completed Date: 05/27/2011
Comments: DTSC approves the 2011 Annual O&M Report and informs the District of

Map ID
Direction
Distance
Elevation

MAP FINDINGS

Site

Database(s)

EDR ID Number
EPA ID Number

RUSSELL RANCH ELEMENTARY SCHOOL (Continued)

S108936055

two issues that requires attention. 1)The 2010 annual inspection is the second year where bare cap soil, in the northeast corner of the Kinderplay area, was noted. This area needs to be repaired by August 1, 2011. 2)One of the quarterly periodic inspections was missed during the 2010 year. If the District fails to comply with the O&M Plan the District may be liable for penalties.

Completed Area Name: PROJECT WIDE
Completed Sub Area Name: Not reported
Completed Document Type: Operations and Maintenance Report
Completed Date: 06/28/2012
Comments: DTSC approved the 2012 Annual Inspection summary report and informs the District the to verify all contracted workers comply with training requirements in the O&M Plan. If the District fails to comply with the O&M Plan the District may be liable for penalties.

Completed Area Name: PROJECT WIDE
Completed Sub Area Name: Not reported
Completed Document Type: 5 Year Review Reports
Completed Date: 01/14/2014
Comments: On January 14, 2014, DTSC approved the 2013 5-Year Inspection Summary Report.

Completed Area Name: PROJECT WIDE
Completed Sub Area Name: Not reported
Completed Document Type: Public Notice
Completed Date: 02/12/2013
Comments: Informed, by PPS, both the English and Spanish notices will be placed in the Folsom Telegraph on February 13, 2013

Completed Area Name: PROJECT WIDE
Completed Sub Area Name: Not reported
Completed Document Type: Operations and Maintenance Report
Completed Date: 06/13/2014
Comments: On June 13, 2014, DTSC approved the 2014 Annual Report.

Completed Area Name: PROJECT WIDE
Completed Sub Area Name: Not reported
Completed Document Type: Operations and Maintenance Plan
Completed Date: 03/05/2014
Comments: On February 13, 2014, DTSC approved the revised Updated O&M Plan.

Completed Area Name: PROJECT WIDE
Completed Sub Area Name: Not reported
Completed Document Type: Public Notice
Completed Date: 03/07/2014
Comments: On March 7, 2014, DTSC notified the District via email about the public notice for the completion of the Five-Year Review for the O&M activities at the Russell Ranch Elementary School. The public notice is scheduled to run in the Folsom Telegraph on March 12, 2014. The District must post the emailed Public Notices (English and Spanish versions) at Russell Ranch Elementary School starting on or before March 12 until April 11, 2014.

Completed Area Name: PROJECT WIDE
Completed Sub Area Name: Not reported
Completed Document Type: Operations and Maintenance Report

Map ID
Direction
Distance
Elevation

MAP FINDINGS

Site

Database(s)

EDR ID Number
EPA ID Number

RUSSELL RANCH ELEMENTARY SCHOOL (Continued)

S108936055

Completed Date: 10/02/2015
Comments: Not reported

Completed Area Name: PROJECT WIDE
Completed Sub Area Name: Not reported
Completed Document Type: Operations and Maintenance Report
Completed Date: 11/30/2016
Comments: Not reported

Completed Area Name: PROJECT WIDE
Completed Sub Area Name: Not reported
Completed Document Type: Site Inspections/Visit (Non LUR)
Completed Date: 02/28/2012
Comments: On February 28, 2012, the 2012 Annual O&M Inspection was conducted at Russell Ranch Elementary School. John Pfeiffer, Josh Townsend and Mary Gaspari inspected the school campus. Tony Peterson joined in the discussion after the inspection. Changes that have occurred since the 2011 Annual Inspections are: 1) During the 2011 summer, three portable classrooms, numbered 27, 28, and 29, were placed south of Building E within the asphalted area called the future portable area. The engineered cap was breached to place the utilities to support the new portables. The cap intrusive work was completed in less than seven days. Most of the utility work was located on the south side of the three portables as seen by asphalt patches. It appears the integrity of the cap was restored. 2) The fall protection/fill material within three apparatus play areas was removed and replaced, changing the engineering controls within these areas. The original engineering controls consisted of playground rubber fiber over drain rock over the warning barrier. The rubber fiber and drain rock was removed and replaced with wood chips over the warning barrier. It appeared the integrity of the cap was restored. It was noted that the completed periodic inspection checklists were not being signed by the Project Coordinator or a copy being kept at the District administrative. It was concluded that once the periodic inspections were completed they would be sent by pdf to the Project Coordinator for signature and placement within the administrative file. Please keep an eye out for the engineering controls associated with the soccer field and the flower garden northwest of Building F. During the inspection there were bare patches within high activity areas on the soccer field and a teacher has planted bulbs within a planter area. Please confirm that the workers who conducted the intrusive work associated with the utilities for the new portables were NOA trained prior to conducting the intrusive work. Possible future work: 1) placement of additional wood chips and 2) changing the planter to a sand box play area within the northeast corner of the kinder play area.

Completed Area Name: PROJECT WIDE
Completed Sub Area Name: Not reported
Completed Document Type: Site Inspections/Visit (Non LUR)
Completed Date: 08/05/2008
Comments: Not reported

Completed Area Name: PROJECT WIDE
Completed Sub Area Name: Not reported
Completed Document Type: Site Inspections/Visit (Non LUR)
Completed Date: 02/27/2014

Map ID
Direction
Distance
Elevation

MAP FINDINGS

Site

Database(s)

EDR ID Number
EPA ID Number

RUSSELL RANCH ELEMENTARY SCHOOL (Continued)

S108936055

Comments: On February 27, 2014, DTSC participated on the annual site inspection of the NOA engineering controls with the District (Jim Bonovich and Josh Townsend) and their consultant (John Pfeifer -Geocon).

Completed Area Name: PROJECT WIDE
Completed Sub Area Name: Not reported
Completed Document Type: Certification
Completed Date: 03/21/2008
Comments: A Certification package was completed and signed and the O&M Plan was approved.

Completed Area Name: PROJECT WIDE
Completed Sub Area Name: Not reported
Completed Document Type: Correspondence
Completed Date: 11/15/2013
Comments: On November 15, 2013, DTSC notified the District about the DTSC Project Manager change.

Completed Area Name: PROJECT WIDE
Completed Sub Area Name: Not reported
Completed Document Type: Site Inspections/Visit (Non LUR)
Completed Date: 08/22/2006
Comments: Not reported

Completed Area Name: PROJECT WIDE
Completed Sub Area Name: Not reported
Completed Document Type: Site Inspections/Visit (Non LUR)
Completed Date: 10/02/2006
Comments: Meeting to view site and discuss possible additional sampling for NOA. Results will be used to reassess site conditions relative to the RAW and the DTSC's new NOA guidance. Attendees included Mark Malinowski, Lauren Johnson, Bud Duke, Gabriele Windgasse, Matt Washburn, Fred Gius, and others.

Completed Area Name: PROJECT WIDE
Completed Sub Area Name: Not reported
Completed Document Type: Site Inspections/Visit (Non LUR)
Completed Date: 03/02/2011
Comments: On March 2, 2011, the 2011 Annual O&M Inspection was conducted. Minor issues found: 1) Change in Project Coordinator, 2) Exposed cap soil in the kinder area, and 3) Confirmation that soil to be and/or has been placed on the playfield has DTSC approval.

Completed Area Name: PROJECT WIDE
Completed Sub Area Name: Not reported
Completed Document Type: Site Inspections/Visit (Non LUR)
Completed Date: 02/24/2010
Comments: 2010 Annual Inspection was conducted on February 24, 2010. Minor issues found: 1) change in consultants and Project Coordinator and 2) exposed cap soil in the kinder area. Both will be documented in the 2010 Annual Report.

Completed Area Name: PROJECT WIDE
Completed Sub Area Name: Not reported
Completed Document Type: Amendment - Order/Agreement
Completed Date: 03/24/2015
Comments: Not reported

Map ID
Direction
Distance
Elevation

MAP FINDINGS

Site

Database(s)

EDR ID Number
EPA ID Number

RUSSELL RANCH ELEMENTARY SCHOOL (Continued)

S108936055

Completed Area Name: PROJECT WIDE
Completed Sub Area Name: Not reported
Completed Document Type: Site Inspections/Visit (Non LUR)
Completed Date: 03/27/2015
Comments: Not reported

Completed Area Name: PROJECT WIDE
Completed Sub Area Name: Not reported
Completed Document Type: Amendment - Order/Agreement
Completed Date: 01/25/2006
Comments: Not reported

Completed Area Name: PROJECT WIDE
Completed Sub Area Name: Not reported
Completed Document Type: Correspondence
Completed Date: 10/03/2007
Comments: DTSC issued notice to the District that Mary Gaspari assumed the role Bud Duke previously held as project manager for this site.

Completed Area Name: PROJECT WIDE
Completed Sub Area Name: Not reported
Completed Document Type: Environmental Oversight Agreement
Completed Date: 04/05/2004
Comments: Not reported

Completed Area Name: PROJECT WIDE
Completed Sub Area Name: Not reported
Completed Document Type: Site Inspections/Visit (Non LUR)
Completed Date: 02/22/2007
Comments: Discussed O&M Plan, O&M agreement and steps to complete the RACR and get to certification and O&M before they open the school in August 2007.

Completed Area Name: PROJECT WIDE
Completed Sub Area Name: Not reported
Completed Document Type: Operation & Maintenance Order/Agreement
Completed Date: 10/11/2007
Comments: Not reported

Completed Area Name: PROJECT WIDE
Completed Sub Area Name: Not reported
Completed Document Type: CEQA - Notice of Exemption
Completed Date: 05/11/2006
Comments: Notice of Exemption for Removal Action Workplan signed by Branch Chief.

Completed Area Name: PROJECT WIDE
Completed Sub Area Name: Not reported
Completed Document Type: Site Inspections/Visit (Non LUR)
Completed Date: 02/20/2013
Comments: On February 20, 2013, the 2013 O&M Annual / First Five Year Inspection was conducted. The inspection was conducted by Jim Bonovich (District), John Pfeiffer (Geocon), and Mary Gaspari (DTSC). Tony Peterson (District) and Josh Townsend (District) were at the site and available when needed. Matt Tidwell (Geocon) measured the thickness of the cap in several landscaped areas. One minor issue was found: A teacher was using a landscaped planter area of the cap as a

MAP FINDINGS

RUSSELL RANCH ELEMENTARY SCHOOL (Continued)

S108936055

garden. This area is located northwest of Building F. There was evidence of soil disturbance from the gardening activities, and a small compost container was located next to the area. It was concluded that a wooden above-ground planter should be constructed for future gardening activities. During the inspection, the cap thickness was measured in 10 landscaped areas throughout the site. All cap thickness measurements appeared to be within expectations. Future Plans: The District would like to plant trees within several landscaped areas. However, the District is concerned about dealing with native soil that possibly contains NOA. After discussions, a possible solution was found. Because planter areas do not have a warning barrier (whereas play areas do have a warning barrier) overlying the native soils but do have a clean soil cap approximately 12-inches in thickness. The District shall remove 10-inches from the top of the clean soil cap and treat the remaining soil as though it were NOA-impacted soil in concurrence with the O&M Plan. In the kinder play area, there is a planter area that is unable to maintain vegetation due to the high activity by the children, and the District has been considering capping the planter area with concrete. Again, this area may have up to 10-inches of the clean soil cap removed. The NOA-impacted soil displaced from planting the trees may be placed within the kinder planter area and capped with concrete. This would prevent the District from having to pay to have the NOA-impacted soil disposed of while the concrete cap would be protecting the children and staff from exposure to NOA-impacted soil. The 2013 O&M Five Year Report (that will also include the 2013 Annual Report) is due to DTSC by May 1, 2013. Please update the O&M Plan and provide the final copy in a three ring binder. The updated O&M Plan will need to include an updated cost estimate and schedule for the next five years. DTSC notes show that the annual NOA Training will expire on Nov. 20, 2013. Please remember to maintain the NOA training.

Future Area Name:	PROJECT WIDE
Future Sub Area Name:	Not reported
Future Document Type:	Operations and Maintenance Report
Future Due Date:	2017
Future Area Name:	PROJECT WIDE
Future Sub Area Name:	Not reported
Future Document Type:	5 Year Review Reports
Future Due Date:	2018
Future Area Name:	PROJECT WIDE
Future Sub Area Name:	Not reported
Future Document Type:	Public Notice
Future Due Date:	2018
Schedule Area Name:	Not reported
Schedule Sub Area Name:	Not reported
Schedule Document Type:	Not reported
Schedule Due Date:	Not reported
Schedule Revised Date:	Not reported

SCH:

Facility ID:	34650003
Site Type:	School Cleanup
Site Type Detail:	School
Site Mgmt. Req.:	NONE SPECIFIED
Acres:	10

Map ID
Direction
Distance
Elevation

MAP FINDINGS

Site

Database(s)

EDR ID Number
EPA ID Number

RUSSELL RANCH ELEMENTARY SCHOOL (Continued)

S108936055

National Priorities List: NO
Cleanup Oversight Agencies: SMBRP
Lead Agency: SMBRP
Lead Agency Description: DTSC - Site Cleanup Program
Project Manager: Mellan Songco
Supervisor: Jose Salcedo
Division Branch: Northern California Schools & Santa Susana
Site Code: 104402
Assembly: 06
Senate: 01
Special Program Status: Not reported
Status: Certified / Operation & Maintenance
Status Date: 03/21/2008
Restricted Use: NO
Funding: School District
Latitude: 38.65131
Longitude: -121.0907
APN: 072-250-071, 07225000710000
Past Use: NONE
Potential COC: Naturally Occurring Asbestos (NOA)
Confirmed COC: Naturally Occurring Asbestos (NOA)
Potential Description: SOIL
Alias Name: 375 Dry Creek Road, Folsom, California
Alias Type: Alternate Name
Alias Name: EMPIRE RANCH NEW ELEMENTARY
Alias Type: Alternate Name
Alias Name: FOLSOM CORDOVA USD-EMPIRE RANCH NEW ES
Alias Type: Alternate Name
Alias Name: FOLSOM-CORDOVA UNIFIED SCHOOL DISTRICT
Alias Type: Alternate Name
Alias Name: Russell Ranch Elementary School
Alias Type: Alternate Name
Alias Name: 072-250-071
Alias Type: APN
Alias Name: 07225000710000
Alias Type: APN
Alias Name: 110033608950
Alias Type: EPA (FRS #)
Alias Name: 104402
Alias Type: Project Code (Site Code)
Alias Name: 34650003
Alias Type: Envirostor ID Number

Completed Info:

Completed Area Name: PROJECT WIDE
Completed Sub Area Name: Not reported
Completed Document Type: Site Inspections/Visit (Non LUR)
Completed Date: 08/11/2006
Comments: Not reported

Completed Area Name: PROJECT WIDE
Completed Sub Area Name: Not reported
Completed Document Type: Site Inspections/Visit (Non LUR)
Completed Date: 02/26/2016
Comments: Not reported

Completed Area Name: PROJECT WIDE
Completed Sub Area Name: Not reported

Map ID
Direction
Distance
Elevation

MAP FINDINGS

Site

Database(s)

EDR ID Number
EPA ID Number

RUSSELL RANCH ELEMENTARY SCHOOL (Continued)

S108936055

Completed Document Type: Site Inspections/Visit (Non LUR)
Completed Date: 02/24/2009
Comments: Conducted 2009 Annual Inspection - First Annual Inspection. Issues found are: 1) not everyone is up to date with annual NOA training; 2) O&M Inspection training needs to be done; and 3) there was a discrepancy between the O&M Plan and what was seen in the field for the fill used for the three play apparatus.

Completed Area Name: PROJECT WIDE
Completed Sub Area Name: Not reported
Completed Document Type: Site Inspections/Visit (Non LUR)
Completed Date: 09/30/2004
Comments: Not reported

Completed Area Name: PROJECT WIDE
Completed Sub Area Name: Not reported
Completed Document Type: Preliminary Endangerment Assessment Workplan
Completed Date: 09/22/2004
Comments: Not reported

Completed Area Name: PROJECT WIDE
Completed Sub Area Name: Not reported
Completed Document Type: Preliminary Endangerment Assessment Report
Completed Date: 09/26/2005
Comments: DTSC approved the PEA with a further action determination.

Completed Area Name: PROJECT WIDE
Completed Sub Area Name: Not reported
Completed Document Type: Removal Action Workplan
Completed Date: 05/11/2006
Comments: DTSC approved the RAW as final. Responded to a single public comment. Soils containing naturally occurring asbestos will be capped by hardscape and landscape. Landscaped areas will include a warning barrier covered by clean-fill.

Completed Area Name: PROJECT WIDE
Completed Sub Area Name: Not reported
Completed Document Type: Fact Sheets
Completed Date: 04/06/2006
Comments: Fact Sheet for naturally occurring asbestos Removal Action Workplan issued for public comment period.

Completed Area Name: PROJECT WIDE
Completed Sub Area Name: Not reported
Completed Document Type: Public Notice
Completed Date: 04/06/2006
Comments: Issue Public Notice for naturally occurring asbestos Removal Action Workplan.

Completed Area Name: PROJECT WIDE
Completed Sub Area Name: Not reported
Completed Document Type: 4.15 Request
Completed Date: 06/05/2006
Comments: DTSC approved the Form 4.15.

Completed Area Name: PROJECT WIDE
Completed Sub Area Name: Not reported

Map ID
Direction
Distance
Elevation

MAP FINDINGS

Site

Database(s)

EDR ID Number
EPA ID Number

RUSSELL RANCH ELEMENTARY SCHOOL (Continued)

S108936055

Completed Document Type: Technical Workplan
Completed Date: 12/08/2006
Comments: DTSC approved the request for modification to the air monitoring program.

Completed Area Name: PROJECT WIDE
Completed Sub Area Name: Not reported
Completed Document Type: Removal Action Completion Report
Completed Date: 12/06/2007
Comments: DTSC approved the RACR.

Completed Area Name: PROJECT WIDE
Completed Sub Area Name: Not reported
Completed Document Type: Operations and Maintenance Plan
Completed Date: 03/21/2008
Comments: Not reported

Completed Area Name: PROJECT WIDE
Completed Sub Area Name: Not reported
Completed Document Type: Operations and Maintenance Report
Completed Date: 09/29/2009
Comments: DTSC contingently approved the Revised Annual NOA CAP Inspection Report with the following condition: an addendum letter is provided with proof that the maintenance supervisor and the principal attended an annual asbestos awareness training course.

Completed Area Name: PROJECT WIDE
Completed Sub Area Name: Not reported
Completed Document Type: Operations and Maintenance Report
Completed Date: 06/23/2010
Comments: DTSC approved the 2010 Annual O&M Report.

Completed Area Name: PROJECT WIDE
Completed Sub Area Name: Not reported
Completed Document Type: Operations and Maintenance Report
Completed Date: 05/27/2011
Comments: DTSC approves the 2011 Annual O&M Report and informs the District of two issues that requires attention. 1)The 2010 annual inspection is the second year where bare cap soil, in the northeast corner of the Kinderplay area, was noted. This area needs to be repaired by August 1, 2011. 2)One of the quarterly periodic inspections was missed during the 2010 year. If the District fails to comply with the O&M Plan the District may be liable for penalties.

Completed Area Name: PROJECT WIDE
Completed Sub Area Name: Not reported
Completed Document Type: Operations and Maintenance Report
Completed Date: 06/28/2012
Comments: DTSC approved the 2012 Annual Inspection summary report and informs the District the to verify all contracted workers comply with training requirements in the O&M Plan. If the District fails to comply with the O&M Plan the District may be liable for penalties.

Completed Area Name: PROJECT WIDE
Completed Sub Area Name: Not reported
Completed Document Type: 5 Year Review Reports
Completed Date: 01/14/2014

Map ID
Direction
Distance
Elevation

MAP FINDINGS

Site

Database(s)

EDR ID Number
EPA ID Number

RUSSELL RANCH ELEMENTARY SCHOOL (Continued)

S108936055

Comments: On January 14, 2014, DTSC approved the 2013 5-Year Inspection Summary Report.

Completed Area Name: PROJECT WIDE
Completed Sub Area Name: Not reported
Completed Document Type: Public Notice
Completed Date: 02/12/2013
Comments: Informed, by PPS, both the English and Spanish notices will be placed in the Folsom Telegraph on February 13, 2013

Completed Area Name: PROJECT WIDE
Completed Sub Area Name: Not reported
Completed Document Type: Operations and Maintenance Report
Completed Date: 06/13/2014
Comments: On June 13, 2014, DTSC approved the 2014 Annual Report.

Completed Area Name: PROJECT WIDE
Completed Sub Area Name: Not reported
Completed Document Type: Operations and Maintenance Plan
Completed Date: 03/05/2014
Comments: On February 13, 2014, DTSC approved the revised Updated O&M Plan.

Completed Area Name: PROJECT WIDE
Completed Sub Area Name: Not reported
Completed Document Type: Public Notice
Completed Date: 03/07/2014
Comments: On March 7, 2014, DTSC notified the District via email about the public notice for the completion of the Five-Year Review for the O&M activities at the Russell Ranch Elementary School. The public notice is scheduled to run in the Folsom Telegraph on March 12, 2014. The District must post the emailed Public Notices (English and Spanish versions) at Russell Ranch Elementary School starting on or before March 12 until April 11, 2014.

Completed Area Name: PROJECT WIDE
Completed Sub Area Name: Not reported
Completed Document Type: Operations and Maintenance Report
Completed Date: 10/02/2015
Comments: Not reported

Completed Area Name: PROJECT WIDE
Completed Sub Area Name: Not reported
Completed Document Type: Operations and Maintenance Report
Completed Date: 11/30/2016
Comments: Not reported

Completed Area Name: PROJECT WIDE
Completed Sub Area Name: Not reported
Completed Document Type: Site Inspections/Visit (Non LUR)
Completed Date: 02/28/2012
Comments: On February 28, 2012, the 2012 Annual O&M Inspection was conducted at Russell Ranch Elementary School. John Pfeiffer, Josh Townsend and Mary Gaspari inspected the school campus. Tony Peterson joined in the discussion after the inspection. Changes that have occurred since the 2011 Annual Inspections are: 1) During the 2011 summer, three portable classrooms, numbered 27, 28, and 29, were placed south of Building E within the asphalted area called the future portable area.

Map ID
Direction
Distance
Elevation

MAP FINDINGS

Site

Database(s)

EDR ID Number
EPA ID Number

RUSSELL RANCH ELEMENTARY SCHOOL (Continued)

S108936055

The engineered cap was breached to place the utilities to support the new portables. The cap intrusive work was completed in less than seven days. Most of the utility work was located on the south side of the three portables as seen by asphalt patches. It appears the integrity of the cap was restored. 2) The fall protection/fill material within three apparatus play areas was removed and replaced, changing the engineering controls within these areas. The original engineering controls consisted of playground rubber fiber over drain rock over the warning barrier. The rubber fiber and drain rock was removed and replaced with wood chips over the warning barrier. It appeared the integrity of the cap was restored. It was noted that the completed periodic inspection checklists were not being signed by the Project Coordinator or a copy being kept at the District administrative. It was concluded that once the periodic inspections were completed they would be sent by pdf to the Project Coordinator for signature and placement within the administrative file. Please keep an eye out for the engineering controls associated with the soccer field and the flower garden northwest of Building F. During the inspection there were bare patches within high activity areas on the soccer field and a teacher has planted bulbs within a planter area. Please confirm that the workers who conducted the intrusive work associated with the utilities for the new portables were NOA trained prior to conducting the intrusive work. Possible future work: 1) placement of additional wood chips and 2) changing the planter to a sand box play area within the northeast corner of the kinder play area.

Completed Area Name: PROJECT WIDE
Completed Sub Area Name: Not reported
Completed Document Type: Site Inspections/Visit (Non LUR)
Completed Date: 08/05/2008
Comments: Not reported

Completed Area Name: PROJECT WIDE
Completed Sub Area Name: Not reported
Completed Document Type: Site Inspections/Visit (Non LUR)
Completed Date: 02/27/2014
Comments: On February 27, 2014, DTSC participated on the annual site inspection of the NOA engineering controls with the District (Jim Bonovich and Josh Townsend) and their consultant (John Pfiefer -Geocon).

Completed Area Name: PROJECT WIDE
Completed Sub Area Name: Not reported
Completed Document Type: Certification
Completed Date: 03/21/2008
Comments: A Certification package was completed and signed and the O&M Plan was approved.

Completed Area Name: PROJECT WIDE
Completed Sub Area Name: Not reported
Completed Document Type: Correspondence
Completed Date: 11/15/2013
Comments: On November 15, 2013, DTSC notified the District about the DTSC Project Manager change.

Completed Area Name: PROJECT WIDE
Completed Sub Area Name: Not reported

Map ID
Direction
Distance
Elevation

MAP FINDINGS

Site

Database(s)

EDR ID Number
EPA ID Number

RUSSELL RANCH ELEMENTARY SCHOOL (Continued)

S108936055

Completed Document Type: Site Inspections/Visit (Non LUR)

Completed Date: 08/22/2006

Comments: Not reported

Completed Area Name: PROJECT WIDE

Completed Sub Area Name: Not reported

Completed Document Type: Site Inspections/Visit (Non LUR)

Completed Date: 10/02/2006

Comments: Meeting to view site and discuss possible additional sampling for NOA. Results will be used to reassess site conditions relative to the RAW and the DTSC's new NOA guidance. Attendees included Mark Malinowski, Lauren Johnson, Bud Duke, Gabriele Windgasse, Matt Washburn, Fred Gius, and others.

Completed Area Name: PROJECT WIDE

Completed Sub Area Name: Not reported

Completed Document Type: Site Inspections/Visit (Non LUR)

Completed Date: 03/02/2011

Comments: On March 2, 2011, the 2011 Annual O&M Inspection was conducted. Minor issues found: 1) Change in Project Coordinator, 2) Exposed cap soil in the kinder area, and 3) Confirmation that soil to be and/or has been placed on the playfield has DTSC approval.

Completed Area Name: PROJECT WIDE

Completed Sub Area Name: Not reported

Completed Document Type: Site Inspections/Visit (Non LUR)

Completed Date: 02/24/2010

Comments: 2010 Annual Inspection was conducted on February 24, 2010. Minor issues found: 1) change in consultants and Project Coordinator and 2) exposed cap soil in the kinder area. Both will be documented in the 2010 Annual Report.

Completed Area Name: PROJECT WIDE

Completed Sub Area Name: Not reported

Completed Document Type: Amendment - Order/Agreement

Completed Date: 03/24/2015

Comments: Not reported

Completed Area Name: PROJECT WIDE

Completed Sub Area Name: Not reported

Completed Document Type: Site Inspections/Visit (Non LUR)

Completed Date: 03/27/2015

Comments: Not reported

Completed Area Name: PROJECT WIDE

Completed Sub Area Name: Not reported

Completed Document Type: Amendment - Order/Agreement

Completed Date: 01/25/2006

Comments: Not reported

Completed Area Name: PROJECT WIDE

Completed Sub Area Name: Not reported

Completed Document Type: Correspondence

Completed Date: 10/03/2007

Comments: DTSC issued notice to the District that Mary Gaspari assumed the role Bud Duke previously held as project manager for this site.

Map ID
Direction
Distance
Elevation

MAP FINDINGS

Site

Database(s)

EDR ID Number
EPA ID Number

RUSSELL RANCH ELEMENTARY SCHOOL (Continued)

S108936055

Completed Area Name: PROJECT WIDE
Completed Sub Area Name: Not reported
Completed Document Type: Environmental Oversight Agreement
Completed Date: 04/05/2004
Comments: Not reported

Completed Area Name: PROJECT WIDE
Completed Sub Area Name: Not reported
Completed Document Type: Site Inspections/Visit (Non LUR)
Completed Date: 02/22/2007
Comments: Discussed O&M Plan, O&M agreement and steps to complete the RACR and get to certification and O&M before they open the school in August 2007.

Completed Area Name: PROJECT WIDE
Completed Sub Area Name: Not reported
Completed Document Type: Operation & Maintenance Order/Agreement
Completed Date: 10/11/2007
Comments: Not reported

Completed Area Name: PROJECT WIDE
Completed Sub Area Name: Not reported
Completed Document Type: CEQA - Notice of Exemption
Completed Date: 05/11/2006
Comments: Notice of Exemption for Removal Action Workplan signed by Branch Chief.

Completed Area Name: PROJECT WIDE
Completed Sub Area Name: Not reported
Completed Document Type: Site Inspections/Visit (Non LUR)
Completed Date: 02/20/2013
Comments: On February 20, 2013, the 2013 O&M Annual / First Five Year Inspection was conducted. The inspection was conducted by Jim Bonovich (District), John Pfeiffer (Geocon), and Mary Gaspari (DTSC). Tony Peterson (District) and Josh Townsend (District) were at the site and available when needed. Matt Tidwell (Geocon) measured the thickness of the cap in several landscaped areas. One minor issue was found: A teacher was using a landscaped planter area of the cap as a garden. This area is located northwest of Building F. There was evidence of soil disturbance from the gardening activities, and a small compost container was located next to the area. It was concluded that a wooden above-ground planter should be constructed for future gardening activities. During the inspection, the cap thickness was measured in 10 landscaped areas throughout the site. All cap thickness measurements appeared to be within expectations. Future Plans: The District would like to plant trees within several landscaped areas. However, the District is concerned about dealing with native soil that possibly contains NOA. After discussions, a possible solution was found. Because planter areas do not have a warning barrier (whereas play areas do have a warning barrier) overlying the native soils but do have a clean soil cap approximately 12-inches in thickness. The District shall remove 10-inches from the top of the clean soil cap and treat the remaining soil as though it were NOA-impacted soil in concurrence with the O&M Plan. In the kinder play area, there is a planter area that is unable to maintain vegetation due to the high activity by the children, and the District has been considering capping the planter area with concrete. Again,

Map ID
Direction
Distance
Elevation

MAP FINDINGS

Site

Database(s)

EDR ID Number
EPA ID Number

RUSSELL RANCH ELEMENTARY SCHOOL (Continued)

S108936055

this area may have up to 10-inches of the clean soil cap removed. The NOA-impacted soil displaced from planting the trees may be placed within the kinder planter area and capped with concrete. This would prevent the District from having to pay to have the NOA-impacted soil disposed of while the concrete cap would be protecting the children and staff from exposure to NOA-impacted soil. The 2013 O&M Five Year Report (that will also include the 2013 Annual Report) is due to DTSC by May 1, 2013. Please update the O&M Plan and provide the final copy in a three ring binder. The updated O&M Plan will need to include an updated cost estimate and schedule for the next five years. DTSC notes show that the annual NOA Training will expire on Nov. 20, 2013. Please remember to maintain the NOA training.

Future Area Name:	PROJECT WIDE
Future Sub Area Name:	Not reported
Future Document Type:	Operations and Maintenance Report
Future Due Date:	2017
Future Area Name:	PROJECT WIDE
Future Sub Area Name:	Not reported
Future Document Type:	5 Year Review Reports
Future Due Date:	2018
Future Area Name:	PROJECT WIDE
Future Sub Area Name:	Not reported
Future Document Type:	Public Notice
Future Due Date:	2018
Schedule Area Name:	Not reported
Schedule Sub Area Name:	Not reported
Schedule Document Type:	Not reported
Schedule Due Date:	Not reported
Schedule Revised Date:	Not reported

Count: 2 records.

ORPHAN SUMMARY

<u>City</u>	<u>EDR ID</u>	<u>Site Name</u>	<u>Site Address</u>	<u>Zip</u>	<u>Database(s)</u>
EL DORADO HILLS	S112142252	HWY 50 AT EL DORADO HILLS BLVD PH	HWY 50 AT EL DORADO HILLS BLVD	95762	NPDES
EL DORADO HILLS	S117699487	EL DORADO HILLS PHASE 1 2 B	HIGHWAY US 50 AND EL DORADO HI	95762	NPDES

GOVERNMENT RECORDS SEARCHED / DATA CURRENCY TRACKING

To maintain currency of the following federal and state databases, EDR contacts the appropriate governmental agency on a monthly or quarterly basis, as required.

Number of Days to Update: Provides confirmation that EDR is reporting records that have been updated within 90 days from the date the government agency made the information available to the public.

STANDARD ENVIRONMENTAL RECORDS

Federal NPL site list

NPL: National Priority List

National Priorities List (Superfund). The NPL is a subset of CERCLIS and identifies over 1,200 sites for priority cleanup under the Superfund Program. NPL sites may encompass relatively large areas. As such, EDR provides polygon coverage for over 1,000 NPL site boundaries produced by EPA's Environmental Photographic Interpretation Center (EPIC) and regional EPA offices.

Date of Government Version: 04/05/2017	Source: EPA
Date Data Arrived at EDR: 04/21/2017	Telephone: N/A
Date Made Active in Reports: 05/12/2017	Last EDR Contact: 06/08/2017
Number of Days to Update: 21	Next Scheduled EDR Contact: 07/17/2017
	Data Release Frequency: Quarterly

NPL Site Boundaries

Sources:

EPA's Environmental Photographic Interpretation Center (EPIC)
Telephone: 202-564-7333

EPA Region 1
Telephone 617-918-1143

EPA Region 6
Telephone: 214-655-6659

EPA Region 3
Telephone 215-814-5418

EPA Region 7
Telephone: 913-551-7247

EPA Region 4
Telephone 404-562-8033

EPA Region 8
Telephone: 303-312-6774

EPA Region 5
Telephone 312-886-6686

EPA Region 9
Telephone: 415-947-4246

EPA Region 10
Telephone 206-553-8665

Proposed NPL: Proposed National Priority List Sites

A site that has been proposed for listing on the National Priorities List through the issuance of a proposed rule in the Federal Register. EPA then accepts public comments on the site, responds to the comments, and places on the NPL those sites that continue to meet the requirements for listing.

Date of Government Version: 04/05/2017	Source: EPA
Date Data Arrived at EDR: 04/21/2017	Telephone: N/A
Date Made Active in Reports: 05/12/2017	Last EDR Contact: 06/09/2017
Number of Days to Update: 21	Next Scheduled EDR Contact: 07/17/2017
	Data Release Frequency: Quarterly

NPL LIENS: Federal Superfund Liens

Federal Superfund Liens. Under the authority granted the USEPA by CERCLA of 1980, the USEPA has the authority to file liens against real property in order to recover remedial action expenditures or when the property owner received notification of potential liability. USEPA compiles a listing of filed notices of Superfund Liens.

Date of Government Version: 10/15/1991	Source: EPA
Date Data Arrived at EDR: 02/02/1994	Telephone: 202-564-4267
Date Made Active in Reports: 03/30/1994	Last EDR Contact: 08/15/2011
Number of Days to Update: 56	Next Scheduled EDR Contact: 11/28/2011
	Data Release Frequency: No Update Planned

GOVERNMENT RECORDS SEARCHED / DATA CURRENCY TRACKING

Federal Delisted NPL site list

Delisted NPL: National Priority List Deletions

The National Oil and Hazardous Substances Pollution Contingency Plan (NCP) establishes the criteria that the EPA uses to delete sites from the NPL. In accordance with 40 CFR 300.425.(e), sites may be deleted from the NPL where no further response is appropriate.

Date of Government Version: 04/05/2017	Source: EPA
Date Data Arrived at EDR: 04/21/2017	Telephone: N/A
Date Made Active in Reports: 05/12/2017	Last EDR Contact: 06/09/2017
Number of Days to Update: 21	Next Scheduled EDR Contact: 07/17/2017
	Data Release Frequency: Quarterly

Federal CERCLIS list

FEDERAL FACILITY: Federal Facility Site Information listing

A listing of National Priority List (NPL) and Base Realignment and Closure (BRAC) sites found in the Comprehensive Environmental Response, Compensation and Liability Information System (CERCLIS) Database where EPA Federal Facilities Restoration and Reuse Office is involved in cleanup activities.

Date of Government Version: 11/07/2016	Source: Environmental Protection Agency
Date Data Arrived at EDR: 01/05/2017	Telephone: 703-603-8704
Date Made Active in Reports: 04/07/2017	Last EDR Contact: 04/07/2017
Number of Days to Update: 92	Next Scheduled EDR Contact: 07/17/2017
	Data Release Frequency: Varies

SEMS: Superfund Enterprise Management System

SEMS (Superfund Enterprise Management System) tracks hazardous waste sites, potentially hazardous waste sites, and remedial activities performed in support of EPA's Superfund Program across the United States. The list was formerly know as CERCLIS, renamed to SEMS by the EPA in 2015. The list contains data on potentially hazardous waste sites that have been reported to the USEPA by states, municipalities, private companies and private persons, pursuant to Section 103 of the Comprehensive Environmental Response, Compensation, and Liability Act (CERCLA). This dataset also contains sites which are either proposed to or on the National Priorities List (NPL) and the sites which are in the screening and assessment phase for possible inclusion on the NPL.

Date of Government Version: 02/07/2017	Source: EPA
Date Data Arrived at EDR: 04/19/2017	Telephone: 800-424-9346
Date Made Active in Reports: 05/05/2017	Last EDR Contact: 06/08/2017
Number of Days to Update: 16	Next Scheduled EDR Contact: 07/31/2017
	Data Release Frequency: Quarterly

Federal CERCLIS NFRAP site list

SEMS-ARCHIVE: Superfund Enterprise Management System Archive

GOVERNMENT RECORDS SEARCHED / DATA CURRENCY TRACKING

SEMS-ARCHIVE (Superfund Enterprise Management System Archive) tracks sites that have no further interest under the Federal Superfund Program based on available information. The list was formerly known as the CERCLIS-NFRAP, renamed to SEMS ARCHIVE by the EPA in 2015. EPA may perform a minimal level of assessment work at a site while it is archived if site conditions change and/or new information becomes available. Archived sites have been removed and archived from the inventory of SEMS sites. Archived status indicates that, to the best of EPA's knowledge, assessment at a site has been completed and that EPA has determined no further steps will be taken to list the site on the National Priorities List (NPL), unless information indicates this decision was not appropriate or other considerations require a recommendation for listing at a later time. The decision does not necessarily mean that there is no hazard associated with a given site; it only means that, based upon available information, the location is not judged to be potential NPL site.

Date of Government Version: 02/07/2017	Source: EPA
Date Data Arrived at EDR: 04/19/2017	Telephone: 800-424-9346
Date Made Active in Reports: 05/05/2017	Last EDR Contact: 06/08/2017
Number of Days to Update: 16	Next Scheduled EDR Contact: 07/31/2017
	Data Release Frequency: Quarterly

Federal RCRA CORRACTS facilities list

CORRACTS: Corrective Action Report

CORRACTS identifies hazardous waste handlers with RCRA corrective action activity.

Date of Government Version: 12/12/2016	Source: EPA
Date Data Arrived at EDR: 12/28/2016	Telephone: 800-424-9346
Date Made Active in Reports: 02/10/2017	Last EDR Contact: 05/02/2017
Number of Days to Update: 44	Next Scheduled EDR Contact: 04/10/2017
	Data Release Frequency: Quarterly

Federal RCRA non-CORRACTS TSD facilities list

RCRA-TSDF: RCRA - Treatment, Storage and Disposal

RCRAInfo is EPA's comprehensive information system, providing access to data supporting the Resource Conservation and Recovery Act (RCRA) of 1976 and the Hazardous and Solid Waste Amendments (HSWA) of 1984. The database includes selective information on sites which generate, transport, store, treat and/or dispose of hazardous waste as defined by the Resource Conservation and Recovery Act (RCRA). Transporters are individuals or entities that move hazardous waste from the generator offsite to a facility that can recycle, treat, store, or dispose of the waste. TSDFs treat, store, or dispose of the waste.

Date of Government Version: 12/12/2016	Source: Environmental Protection Agency
Date Data Arrived at EDR: 12/28/2016	Telephone: (415) 495-8895
Date Made Active in Reports: 02/10/2017	Last EDR Contact: 05/02/2017
Number of Days to Update: 44	Next Scheduled EDR Contact: 04/10/2017
	Data Release Frequency: Quarterly

Federal RCRA generators list

RCRA-LQG: RCRA - Large Quantity Generators

RCRAInfo is EPA's comprehensive information system, providing access to data supporting the Resource Conservation and Recovery Act (RCRA) of 1976 and the Hazardous and Solid Waste Amendments (HSWA) of 1984. The database includes selective information on sites which generate, transport, store, treat and/or dispose of hazardous waste as defined by the Resource Conservation and Recovery Act (RCRA). Large quantity generators (LQGs) generate over 1,000 kilograms (kg) of hazardous waste, or over 1 kg of acutely hazardous waste per month.

Date of Government Version: 12/12/2016	Source: Environmental Protection Agency
Date Data Arrived at EDR: 12/28/2016	Telephone: (415) 495-8895
Date Made Active in Reports: 02/10/2017	Last EDR Contact: 05/02/2017
Number of Days to Update: 44	Next Scheduled EDR Contact: 04/10/2017
	Data Release Frequency: Quarterly

GOVERNMENT RECORDS SEARCHED / DATA CURRENCY TRACKING

RCRA-SQG: RCRA - Small Quantity Generators

RCRAInfo is EPA's comprehensive information system, providing access to data supporting the Resource Conservation and Recovery Act (RCRA) of 1976 and the Hazardous and Solid Waste Amendments (HSWA) of 1984. The database includes selective information on sites which generate, transport, store, treat and/or dispose of hazardous waste as defined by the Resource Conservation and Recovery Act (RCRA). Small quantity generators (SQGs) generate between 100 kg and 1,000 kg of hazardous waste per month.

Date of Government Version: 12/12/2016	Source: Environmental Protection Agency
Date Data Arrived at EDR: 12/28/2016	Telephone: (415) 495-8895
Date Made Active in Reports: 02/10/2017	Last EDR Contact: 05/02/2017
Number of Days to Update: 44	Next Scheduled EDR Contact: 04/10/2017
	Data Release Frequency: Quarterly

RCRA-CESQG: RCRA - Conditionally Exempt Small Quantity Generators

RCRAInfo is EPA's comprehensive information system, providing access to data supporting the Resource Conservation and Recovery Act (RCRA) of 1976 and the Hazardous and Solid Waste Amendments (HSWA) of 1984. The database includes selective information on sites which generate, transport, store, treat and/or dispose of hazardous waste as defined by the Resource Conservation and Recovery Act (RCRA). Conditionally exempt small quantity generators (CESQGs) generate less than 100 kg of hazardous waste, or less than 1 kg of acutely hazardous waste per month.

Date of Government Version: 12/12/2016	Source: Environmental Protection Agency
Date Data Arrived at EDR: 12/28/2016	Telephone: (415) 495-8895
Date Made Active in Reports: 02/10/2017	Last EDR Contact: 05/02/2017
Number of Days to Update: 44	Next Scheduled EDR Contact: 04/10/2017
	Data Release Frequency: Varies

Federal institutional controls / engineering controls registries

LUCIS: Land Use Control Information System

LUCIS contains records of land use control information pertaining to the former Navy Base Realignment and Closure properties.

Date of Government Version: 12/28/2016	Source: Department of the Navy
Date Data Arrived at EDR: 01/04/2017	Telephone: 843-820-7326
Date Made Active in Reports: 04/07/2017	Last EDR Contact: 05/15/2017
Number of Days to Update: 93	Next Scheduled EDR Contact: 08/28/2017
	Data Release Frequency: Varies

US ENG CONTROLS: Engineering Controls Sites List

A listing of sites with engineering controls in place. Engineering controls include various forms of caps, building foundations, liners, and treatment methods to create pathway elimination for regulated substances to enter environmental media or effect human health.

Date of Government Version: 02/13/2017	Source: Environmental Protection Agency
Date Data Arrived at EDR: 02/28/2017	Telephone: 703-603-0695
Date Made Active in Reports: 06/09/2017	Last EDR Contact: 05/31/2017
Number of Days to Update: 101	Next Scheduled EDR Contact: 09/11/2017
	Data Release Frequency: Varies

US INST CONTROL: Sites with Institutional Controls

A listing of sites with institutional controls in place. Institutional controls include administrative measures, such as groundwater use restrictions, construction restrictions, property use restrictions, and post remediation care requirements intended to prevent exposure to contaminants remaining on site. Deed restrictions are generally required as part of the institutional controls.

Date of Government Version: 02/13/2017	Source: Environmental Protection Agency
Date Data Arrived at EDR: 02/28/2017	Telephone: 703-603-0695
Date Made Active in Reports: 06/09/2017	Last EDR Contact: 05/31/2017
Number of Days to Update: 101	Next Scheduled EDR Contact: 09/11/2017
	Data Release Frequency: Varies

GOVERNMENT RECORDS SEARCHED / DATA CURRENCY TRACKING

Federal ERNS list

ERNS: Emergency Response Notification System

Emergency Response Notification System. ERNS records and stores information on reported releases of oil and hazardous substances.

Date of Government Version: 09/26/2016
Date Data Arrived at EDR: 09/29/2016
Date Made Active in Reports: 11/11/2016
Number of Days to Update: 43

Source: National Response Center, United States Coast Guard
Telephone: 202-267-2180
Last EDR Contact: 03/29/2017
Next Scheduled EDR Contact: 07/10/2017
Data Release Frequency: Annually

State- and tribal - equivalent NPL

RESPONSE: State Response Sites

Identifies confirmed release sites where DTSC is involved in remediation, either in a lead or oversight capacity. These confirmed release sites are generally high-priority and high potential risk.

Date of Government Version: 01/30/2017
Date Data Arrived at EDR: 01/31/2017
Date Made Active in Reports: 05/23/2017
Number of Days to Update: 112

Source: Department of Toxic Substances Control
Telephone: 916-323-3400
Last EDR Contact: 05/02/2017
Next Scheduled EDR Contact: 08/14/2017
Data Release Frequency: Quarterly

State- and tribal - equivalent CERCLIS

ENVIROSTOR: EnviroStor Database

The Department of Toxic Substances Control's (DTSC's) Site Mitigation and Brownfields Reuse Program's (SMBRP's) EnviroStor database identifies sites that have known contamination or sites for which there may be reasons to investigate further. The database includes the following site types: Federal Superfund sites (National Priorities List (NPL)); State Response, including Military Facilities and State Superfund; Voluntary Cleanup; and School sites. EnviroStor provides similar information to the information that was available in CalSites, and provides additional site information, including, but not limited to, identification of formerly-contaminated properties that have been released for reuse, properties where environmental deed restrictions have been recorded to prevent inappropriate land uses, and risk characterization information that is used to assess potential impacts to public health and the environment at contaminated sites.

Date of Government Version: 01/30/2017
Date Data Arrived at EDR: 01/31/2017
Date Made Active in Reports: 05/23/2017
Number of Days to Update: 112

Source: Department of Toxic Substances Control
Telephone: 916-323-3400
Last EDR Contact: 05/02/2017
Next Scheduled EDR Contact: 08/14/2017
Data Release Frequency: Quarterly

State and tribal landfill and/or solid waste disposal site lists

SWF/LF (SWIS): Solid Waste Information System

Active, Closed and Inactive Landfills. SWF/LF records typically contain an inventory of solid waste disposal facilities or landfills. These may be active or inactive facilities or open dumps that failed to meet RCRA Section 4004 criteria for solid waste landfills or disposal sites.

Date of Government Version: 02/13/2017
Date Data Arrived at EDR: 02/15/2017
Date Made Active in Reports: 05/02/2017
Number of Days to Update: 76

Source: Department of Resources Recycling and Recovery
Telephone: 916-341-6320
Last EDR Contact: 05/17/2017
Next Scheduled EDR Contact: 08/28/2017
Data Release Frequency: Quarterly

State and tribal leaking storage tank lists

GOVERNMENT RECORDS SEARCHED / DATA CURRENCY TRACKING

LUST: Leaking Underground Fuel Tank Report (GEOTRACKER)

Leaking Underground Storage Tank (LUST) Sites included in GeoTracker. GeoTracker is the Water Boards data management system for sites that impact, or have the potential to impact, water quality in California, with emphasis on groundwater.

Date of Government Version: 03/13/2017	Source: State Water Resources Control Board
Date Data Arrived at EDR: 03/14/2017	Telephone: see region list
Date Made Active in Reports: 05/02/2017	Last EDR Contact: 06/14/2017
Number of Days to Update: 49	Next Scheduled EDR Contact: 09/25/2017
	Data Release Frequency: Quarterly

LUST REG 6V: Leaking Underground Storage Tank Case Listing

Leaking Underground Storage Tank locations. Inyo, Kern, Los Angeles, Mono, San Bernardino counties.

Date of Government Version: 06/07/2005	Source: California Regional Water Quality Control Board Victorville Branch Office (6)
Date Data Arrived at EDR: 06/07/2005	Telephone: 760-241-7365
Date Made Active in Reports: 06/29/2005	Last EDR Contact: 09/12/2011
Number of Days to Update: 22	Next Scheduled EDR Contact: 12/26/2011
	Data Release Frequency: No Update Planned

LUST REG 4: Underground Storage Tank Leak List

Los Angeles, Ventura counties. For more current information, please refer to the State Water Resources Control Board's LUST database.

Date of Government Version: 09/07/2004	Source: California Regional Water Quality Control Board Los Angeles Region (4)
Date Data Arrived at EDR: 09/07/2004	Telephone: 213-576-6710
Date Made Active in Reports: 10/12/2004	Last EDR Contact: 09/06/2011
Number of Days to Update: 35	Next Scheduled EDR Contact: 12/19/2011
	Data Release Frequency: No Update Planned

LUST REG 3: Leaking Underground Storage Tank Database

Leaking Underground Storage Tank locations. Monterey, San Benito, San Luis Obispo, Santa Barbara, Santa Cruz counties.

Date of Government Version: 05/19/2003	Source: California Regional Water Quality Control Board Central Coast Region (3)
Date Data Arrived at EDR: 05/19/2003	Telephone: 805-542-4786
Date Made Active in Reports: 06/02/2003	Last EDR Contact: 07/18/2011
Number of Days to Update: 14	Next Scheduled EDR Contact: 10/31/2011
	Data Release Frequency: No Update Planned

LUST REG 2: Fuel Leak List

Leaking Underground Storage Tank locations. Alameda, Contra Costa, Marin, Napa, San Francisco, San Mateo, Santa Clara, Solano, Sonoma counties.

Date of Government Version: 09/30/2004	Source: California Regional Water Quality Control Board San Francisco Bay Region (2)
Date Data Arrived at EDR: 10/20/2004	Telephone: 510-622-2433
Date Made Active in Reports: 11/19/2004	Last EDR Contact: 09/19/2011
Number of Days to Update: 30	Next Scheduled EDR Contact: 01/02/2012
	Data Release Frequency: Quarterly

LUST REG 1: Active Toxic Site Investigation

Del Norte, Humboldt, Lake, Mendocino, Modoc, Siskiyou, Sonoma, Trinity counties. For more current information, please refer to the State Water Resources Control Board's LUST database.

Date of Government Version: 02/01/2001	Source: California Regional Water Quality Control Board North Coast (1)
Date Data Arrived at EDR: 02/28/2001	Telephone: 707-570-3769
Date Made Active in Reports: 03/29/2001	Last EDR Contact: 08/01/2011
Number of Days to Update: 29	Next Scheduled EDR Contact: 11/14/2011
	Data Release Frequency: No Update Planned

LUST REG 6L: Leaking Underground Storage Tank Case Listing

For more current information, please refer to the State Water Resources Control Board's LUST database.

GOVERNMENT RECORDS SEARCHED / DATA CURRENCY TRACKING

Date of Government Version: 09/09/2003
Date Data Arrived at EDR: 09/10/2003
Date Made Active in Reports: 10/07/2003
Number of Days to Update: 27

Source: California Regional Water Quality Control Board Lahontan Region (6)
Telephone: 530-542-5572
Last EDR Contact: 09/12/2011
Next Scheduled EDR Contact: 12/26/2011
Data Release Frequency: No Update Planned

LUST REG 5: Leaking Underground Storage Tank Database

Leaking Underground Storage Tank locations. Alameda, Alpine, Amador, Butte, Colusa, Contra Costa, Calveras, El Dorado, Fresno, Glenn, Kern, Kings, Lake, Lassen, Madera, Mariposa, Merced, Modoc, Napa, Nevada, Placer, Plumas, Sacramento, San Joaquin, Shasta, Solano, Stanislaus, Sutter, Tehama, Tulare, Tuolumne, Yolo, Yuba counties.

Date of Government Version: 07/01/2008
Date Data Arrived at EDR: 07/22/2008
Date Made Active in Reports: 07/31/2008
Number of Days to Update: 9

Source: California Regional Water Quality Control Board Central Valley Region (5)
Telephone: 916-464-4834
Last EDR Contact: 07/01/2011
Next Scheduled EDR Contact: 10/17/2011
Data Release Frequency: No Update Planned

LUST REG 7: Leaking Underground Storage Tank Case Listing

Leaking Underground Storage Tank locations. Imperial, Riverside, San Diego, Santa Barbara counties.

Date of Government Version: 02/26/2004
Date Data Arrived at EDR: 02/26/2004
Date Made Active in Reports: 03/24/2004
Number of Days to Update: 27

Source: California Regional Water Quality Control Board Colorado River Basin Region (7)
Telephone: 760-776-8943
Last EDR Contact: 08/01/2011
Next Scheduled EDR Contact: 11/14/2011
Data Release Frequency: No Update Planned

LUST REG 8: Leaking Underground Storage Tanks

California Regional Water Quality Control Board Santa Ana Region (8). For more current information, please refer to the State Water Resources Control Board's LUST database.

Date of Government Version: 02/14/2005
Date Data Arrived at EDR: 02/15/2005
Date Made Active in Reports: 03/28/2005
Number of Days to Update: 41

Source: California Regional Water Quality Control Board Santa Ana Region (8)
Telephone: 909-782-4496
Last EDR Contact: 08/15/2011
Next Scheduled EDR Contact: 11/28/2011
Data Release Frequency: Varies

LUST REG 9: Leaking Underground Storage Tank Report

Orange, Riverside, San Diego counties. For more current information, please refer to the State Water Resources Control Board's LUST database.

Date of Government Version: 03/01/2001
Date Data Arrived at EDR: 04/23/2001
Date Made Active in Reports: 05/21/2001
Number of Days to Update: 28

Source: California Regional Water Quality Control Board San Diego Region (9)
Telephone: 858-637-5595
Last EDR Contact: 09/26/2011
Next Scheduled EDR Contact: 01/09/2012
Data Release Frequency: No Update Planned

INDIAN LUST R1: Leaking Underground Storage Tanks on Indian Land

A listing of leaking underground storage tank locations on Indian Land.

Date of Government Version: 11/14/2016
Date Data Arrived at EDR: 01/26/2017
Date Made Active in Reports: 05/05/2017
Number of Days to Update: 99

Source: EPA Region 1
Telephone: 617-918-1313
Last EDR Contact: 04/28/2017
Next Scheduled EDR Contact: 08/07/2017
Data Release Frequency: Varies

INDIAN LUST R4: Leaking Underground Storage Tanks on Indian Land

LUSTs on Indian land in Florida, Mississippi and North Carolina.

Date of Government Version: 10/14/2016
Date Data Arrived at EDR: 01/27/2017
Date Made Active in Reports: 05/05/2017
Number of Days to Update: 98

Source: EPA Region 4
Telephone: 404-562-8677
Last EDR Contact: 04/28/2017
Next Scheduled EDR Contact: 08/07/2017
Data Release Frequency: Semi-Annually

GOVERNMENT RECORDS SEARCHED / DATA CURRENCY TRACKING

INDIAN LUST R10: Leaking Underground Storage Tanks on Indian Land
LUSTs on Indian land in Alaska, Idaho, Oregon and Washington.

Date of Government Version: 10/07/2016	Source: EPA Region 10
Date Data Arrived at EDR: 01/26/2017	Telephone: 206-553-2857
Date Made Active in Reports: 05/05/2017	Last EDR Contact: 04/28/2017
Number of Days to Update: 99	Next Scheduled EDR Contact: 08/07/2017
	Data Release Frequency: Quarterly

INDIAN LUST R9: Leaking Underground Storage Tanks on Indian Land
LUSTs on Indian land in Arizona, California, New Mexico and Nevada

Date of Government Version: 10/06/2016	Source: Environmental Protection Agency
Date Data Arrived at EDR: 01/26/2017	Telephone: 415-972-3372
Date Made Active in Reports: 05/05/2017	Last EDR Contact: 04/28/2017
Number of Days to Update: 99	Next Scheduled EDR Contact: 08/07/2017
	Data Release Frequency: Quarterly

INDIAN LUST R6: Leaking Underground Storage Tanks on Indian Land
LUSTs on Indian land in New Mexico and Oklahoma.

Date of Government Version: 10/01/2016	Source: EPA Region 6
Date Data Arrived at EDR: 01/26/2017	Telephone: 214-665-6597
Date Made Active in Reports: 05/05/2017	Last EDR Contact: 04/28/2017
Number of Days to Update: 99	Next Scheduled EDR Contact: 08/07/2017
	Data Release Frequency: Varies

INDIAN LUST R5: Leaking Underground Storage Tanks on Indian Land
Leaking underground storage tanks located on Indian Land in Michigan, Minnesota and Wisconsin.

Date of Government Version: 11/14/2016	Source: EPA, Region 5
Date Data Arrived at EDR: 01/26/2017	Telephone: 312-886-7439
Date Made Active in Reports: 05/05/2017	Last EDR Contact: 04/28/2017
Number of Days to Update: 99	Next Scheduled EDR Contact: 08/07/2017
	Data Release Frequency: Varies

INDIAN LUST R8: Leaking Underground Storage Tanks on Indian Land
LUSTs on Indian land in Colorado, Montana, North Dakota, South Dakota, Utah and Wyoming.

Date of Government Version: 10/17/2016	Source: EPA Region 8
Date Data Arrived at EDR: 01/26/2017	Telephone: 303-312-6271
Date Made Active in Reports: 05/05/2017	Last EDR Contact: 04/28/2017
Number of Days to Update: 99	Next Scheduled EDR Contact: 08/07/2017
	Data Release Frequency: Quarterly

INDIAN LUST R7: Leaking Underground Storage Tanks on Indian Land
LUSTs on Indian land in Iowa, Kansas, and Nebraska

Date of Government Version: 09/01/2016	Source: EPA Region 7
Date Data Arrived at EDR: 01/26/2017	Telephone: 913-551-7003
Date Made Active in Reports: 05/05/2017	Last EDR Contact: 04/28/2017
Number of Days to Update: 99	Next Scheduled EDR Contact: 08/07/2017
	Data Release Frequency: Varies

SLIC: Statewide SLIC Cases (GEOTRACKER)

Cleanup Program Sites (CPS; also known as Site Cleanups [SC] and formerly known as Spills, Leaks, Investigations, and Cleanups [SLIC] sites) included in GeoTracker. GeoTracker is the Water Boards data management system for sites that impact, or have the potential to impact, water quality in California, with emphasis on groundwater.

Date of Government Version: 03/13/2017	Source: State Water Resources Control Board
Date Data Arrived at EDR: 03/14/2017	Telephone: 866-480-1028
Date Made Active in Reports: 05/02/2017	Last EDR Contact: 06/14/2017
Number of Days to Update: 49	Next Scheduled EDR Contact: 09/25/2017
	Data Release Frequency: Varies

GOVERNMENT RECORDS SEARCHED / DATA CURRENCY TRACKING

SLIC REG 1: Active Toxic Site Investigations

The SLIC (Spills, Leaks, Investigations and Cleanup) program is designed to protect and restore water quality from spills, leaks, and similar discharges.

Date of Government Version: 04/03/2003
Date Data Arrived at EDR: 04/07/2003
Date Made Active in Reports: 04/25/2003
Number of Days to Update: 18

Source: California Regional Water Quality Control Board, North Coast Region (1)
Telephone: 707-576-2220
Last EDR Contact: 08/01/2011
Next Scheduled EDR Contact: 11/14/2011
Data Release Frequency: No Update Planned

SLIC REG 2: Spills, Leaks, Investigation & Cleanup Cost Recovery Listing

The SLIC (Spills, Leaks, Investigations and Cleanup) program is designed to protect and restore water quality from spills, leaks, and similar discharges.

Date of Government Version: 09/30/2004
Date Data Arrived at EDR: 10/20/2004
Date Made Active in Reports: 11/19/2004
Number of Days to Update: 30

Source: Regional Water Quality Control Board San Francisco Bay Region (2)
Telephone: 510-286-0457
Last EDR Contact: 09/19/2011
Next Scheduled EDR Contact: 01/02/2012
Data Release Frequency: Quarterly

SLIC REG 3: Spills, Leaks, Investigation & Cleanup Cost Recovery Listing

The SLIC (Spills, Leaks, Investigations and Cleanup) program is designed to protect and restore water quality from spills, leaks, and similar discharges.

Date of Government Version: 05/18/2006
Date Data Arrived at EDR: 05/18/2006
Date Made Active in Reports: 06/15/2006
Number of Days to Update: 28

Source: California Regional Water Quality Control Board Central Coast Region (3)
Telephone: 805-549-3147
Last EDR Contact: 07/18/2011
Next Scheduled EDR Contact: 10/31/2011
Data Release Frequency: Semi-Annually

SLIC REG 4: Spills, Leaks, Investigation & Cleanup Cost Recovery Listing

The SLIC (Spills, Leaks, Investigations and Cleanup) program is designed to protect and restore water quality from spills, leaks, and similar discharges.

Date of Government Version: 11/17/2004
Date Data Arrived at EDR: 11/18/2004
Date Made Active in Reports: 01/04/2005
Number of Days to Update: 47

Source: Region Water Quality Control Board Los Angeles Region (4)
Telephone: 213-576-6600
Last EDR Contact: 07/01/2011
Next Scheduled EDR Contact: 10/17/2011
Data Release Frequency: Varies

SLIC REG 5: Spills, Leaks, Investigation & Cleanup Cost Recovery Listing

The SLIC (Spills, Leaks, Investigations and Cleanup) program is designed to protect and restore water quality from spills, leaks, and similar discharges.

Date of Government Version: 04/01/2005
Date Data Arrived at EDR: 04/05/2005
Date Made Active in Reports: 04/21/2005
Number of Days to Update: 16

Source: Regional Water Quality Control Board Central Valley Region (5)
Telephone: 916-464-3291
Last EDR Contact: 09/12/2011
Next Scheduled EDR Contact: 12/26/2011
Data Release Frequency: Semi-Annually

SLIC REG 6V: Spills, Leaks, Investigation & Cleanup Cost Recovery Listing

The SLIC (Spills, Leaks, Investigations and Cleanup) program is designed to protect and restore water quality from spills, leaks, and similar discharges.

Date of Government Version: 05/24/2005
Date Data Arrived at EDR: 05/25/2005
Date Made Active in Reports: 06/16/2005
Number of Days to Update: 22

Source: Regional Water Quality Control Board, Victorville Branch
Telephone: 619-241-6583
Last EDR Contact: 08/15/2011
Next Scheduled EDR Contact: 11/28/2011
Data Release Frequency: Semi-Annually

GOVERNMENT RECORDS SEARCHED / DATA CURRENCY TRACKING

SLIC REG 6L: SLIC Sites

The SLIC (Spills, Leaks, Investigations and Cleanup) program is designed to protect and restore water quality from spills, leaks, and similar discharges.

Date of Government Version: 09/07/2004
Date Data Arrived at EDR: 09/07/2004
Date Made Active in Reports: 10/12/2004
Number of Days to Update: 35

Source: California Regional Water Quality Control Board, Lahontan Region
Telephone: 530-542-5574
Last EDR Contact: 08/15/2011
Next Scheduled EDR Contact: 11/28/2011
Data Release Frequency: No Update Planned

SLIC REG 7: SLIC List

The SLIC (Spills, Leaks, Investigations and Cleanup) program is designed to protect and restore water quality from spills, leaks, and similar discharges.

Date of Government Version: 11/24/2004
Date Data Arrived at EDR: 11/29/2004
Date Made Active in Reports: 01/04/2005
Number of Days to Update: 36

Source: California Regional Quality Control Board, Colorado River Basin Region
Telephone: 760-346-7491
Last EDR Contact: 08/01/2011
Next Scheduled EDR Contact: 11/14/2011
Data Release Frequency: No Update Planned

SLIC REG 8: Spills, Leaks, Investigation & Cleanup Cost Recovery Listing

The SLIC (Spills, Leaks, Investigations and Cleanup) program is designed to protect and restore water quality from spills, leaks, and similar discharges.

Date of Government Version: 04/03/2008
Date Data Arrived at EDR: 04/03/2008
Date Made Active in Reports: 04/14/2008
Number of Days to Update: 11

Source: California Region Water Quality Control Board Santa Ana Region (8)
Telephone: 951-782-3298
Last EDR Contact: 09/12/2011
Next Scheduled EDR Contact: 12/26/2011
Data Release Frequency: Semi-Annually

SLIC REG 9: Spills, Leaks, Investigation & Cleanup Cost Recovery Listing

The SLIC (Spills, Leaks, Investigations and Cleanup) program is designed to protect and restore water quality from spills, leaks, and similar discharges.

Date of Government Version: 09/10/2007
Date Data Arrived at EDR: 09/11/2007
Date Made Active in Reports: 09/28/2007
Number of Days to Update: 17

Source: California Regional Water Quality Control Board San Diego Region (9)
Telephone: 858-467-2980
Last EDR Contact: 08/08/2011
Next Scheduled EDR Contact: 11/21/2011
Data Release Frequency: Annually

State and tribal registered storage tank lists

FEMA UST: Underground Storage Tank Listing

A listing of all FEMA owned underground storage tanks.

Date of Government Version: 01/01/2010
Date Data Arrived at EDR: 02/16/2010
Date Made Active in Reports: 04/12/2010
Number of Days to Update: 55

Source: FEMA
Telephone: 202-646-5797
Last EDR Contact: 04/11/2017
Next Scheduled EDR Contact: 07/24/2017
Data Release Frequency: Varies

UST: Active UST Facilities

Active UST facilities gathered from the local regulatory agencies

Date of Government Version: 03/12/2017
Date Data Arrived at EDR: 03/16/2017
Date Made Active in Reports: 05/12/2017
Number of Days to Update: 57

Source: SWRCB
Telephone: 916-341-5851
Last EDR Contact: 06/14/2017
Next Scheduled EDR Contact: 09/25/2017
Data Release Frequency: Semi-Annually

GOVERNMENT RECORDS SEARCHED / DATA CURRENCY TRACKING

AST: Aboveground Petroleum Storage Tank Facilities

A listing of aboveground storage tank petroleum storage tank locations.

Date of Government Version: 07/06/2016	Source: California Environmental Protection Agency
Date Data Arrived at EDR: 07/12/2016	Telephone: 916-327-5092
Date Made Active in Reports: 09/19/2016	Last EDR Contact: 03/24/2017
Number of Days to Update: 69	Next Scheduled EDR Contact: 07/10/2017
	Data Release Frequency: Quarterly

INDIAN UST R5: Underground Storage Tanks on Indian Land

The Indian Underground Storage Tank (UST) database provides information about underground storage tanks on Indian land in EPA Region 5 (Michigan, Minnesota and Wisconsin and Tribal Nations).

Date of Government Version: 01/14/2017	Source: EPA Region 5
Date Data Arrived at EDR: 01/26/2017	Telephone: 312-886-6136
Date Made Active in Reports: 05/05/2017	Last EDR Contact: 04/28/2017
Number of Days to Update: 99	Next Scheduled EDR Contact: 08/07/2017
	Data Release Frequency: Varies

INDIAN UST R6: Underground Storage Tanks on Indian Land

The Indian Underground Storage Tank (UST) database provides information about underground storage tanks on Indian land in EPA Region 6 (Louisiana, Arkansas, Oklahoma, New Mexico, Texas and 65 Tribes).

Date of Government Version: 10/01/2016	Source: EPA Region 6
Date Data Arrived at EDR: 01/26/2017	Telephone: 214-665-7591
Date Made Active in Reports: 05/05/2017	Last EDR Contact: 04/28/2017
Number of Days to Update: 99	Next Scheduled EDR Contact: 08/07/2017
	Data Release Frequency: Semi-Annually

INDIAN UST R7: Underground Storage Tanks on Indian Land

The Indian Underground Storage Tank (UST) database provides information about underground storage tanks on Indian land in EPA Region 7 (Iowa, Kansas, Missouri, Nebraska, and 9 Tribal Nations).

Date of Government Version: 09/01/2016	Source: EPA Region 7
Date Data Arrived at EDR: 01/26/2017	Telephone: 913-551-7003
Date Made Active in Reports: 05/05/2017	Last EDR Contact: 04/28/2017
Number of Days to Update: 99	Next Scheduled EDR Contact: 08/07/2017
	Data Release Frequency: Varies

INDIAN UST R8: Underground Storage Tanks on Indian Land

The Indian Underground Storage Tank (UST) database provides information about underground storage tanks on Indian land in EPA Region 8 (Colorado, Montana, North Dakota, South Dakota, Utah, Wyoming and 27 Tribal Nations).

Date of Government Version: 10/17/2016	Source: EPA Region 8
Date Data Arrived at EDR: 01/26/2017	Telephone: 303-312-6137
Date Made Active in Reports: 05/05/2017	Last EDR Contact: 04/28/2017
Number of Days to Update: 99	Next Scheduled EDR Contact: 08/07/2017
	Data Release Frequency: Quarterly

INDIAN UST R9: Underground Storage Tanks on Indian Land

The Indian Underground Storage Tank (UST) database provides information about underground storage tanks on Indian land in EPA Region 9 (Arizona, California, Hawaii, Nevada, the Pacific Islands, and Tribal Nations).

Date of Government Version: 10/06/2016	Source: EPA Region 9
Date Data Arrived at EDR: 01/26/2017	Telephone: 415-972-3368
Date Made Active in Reports: 05/05/2017	Last EDR Contact: 04/28/2017
Number of Days to Update: 99	Next Scheduled EDR Contact: 08/07/2017
	Data Release Frequency: Quarterly

GOVERNMENT RECORDS SEARCHED / DATA CURRENCY TRACKING

INDIAN UST R1: Underground Storage Tanks on Indian Land

The Indian Underground Storage Tank (UST) database provides information about underground storage tanks on Indian land in EPA Region 1 (Connecticut, Maine, Massachusetts, New Hampshire, Rhode Island, Vermont and ten Tribal Nations).

Date of Government Version: 11/14/2016	Source: EPA, Region 1
Date Data Arrived at EDR: 01/26/2017	Telephone: 617-918-1313
Date Made Active in Reports: 05/05/2017	Last EDR Contact: 04/28/2017
Number of Days to Update: 99	Next Scheduled EDR Contact: 08/07/2017
	Data Release Frequency: Varies

INDIAN UST R4: Underground Storage Tanks on Indian Land

The Indian Underground Storage Tank (UST) database provides information about underground storage tanks on Indian land in EPA Region 4 (Alabama, Florida, Georgia, Kentucky, Mississippi, North Carolina, South Carolina, Tennessee and Tribal Nations)

Date of Government Version: 10/14/2016	Source: EPA Region 4
Date Data Arrived at EDR: 01/27/2017	Telephone: 404-562-9424
Date Made Active in Reports: 05/05/2017	Last EDR Contact: 04/28/2017
Number of Days to Update: 98	Next Scheduled EDR Contact: 08/07/2017
	Data Release Frequency: Semi-Annually

INDIAN UST R10: Underground Storage Tanks on Indian Land

The Indian Underground Storage Tank (UST) database provides information about underground storage tanks on Indian land in EPA Region 10 (Alaska, Idaho, Oregon, Washington, and Tribal Nations).

Date of Government Version: 10/07/2016	Source: EPA Region 10
Date Data Arrived at EDR: 01/26/2017	Telephone: 206-553-2857
Date Made Active in Reports: 05/05/2017	Last EDR Contact: 04/28/2017
Number of Days to Update: 99	Next Scheduled EDR Contact: 08/07/2017
	Data Release Frequency: Quarterly

State and tribal voluntary cleanup sites

INDIAN VCP R1: Voluntary Cleanup Priority Listing

A listing of voluntary cleanup priority sites located on Indian Land located in Region 1.

Date of Government Version: 07/27/2015	Source: EPA, Region 1
Date Data Arrived at EDR: 09/29/2015	Telephone: 617-918-1102
Date Made Active in Reports: 02/18/2016	Last EDR Contact: 03/27/2017
Number of Days to Update: 142	Next Scheduled EDR Contact: 07/10/2017
	Data Release Frequency: Varies

INDIAN VCP R7: Voluntary Cleanup Priority Listing

A listing of voluntary cleanup priority sites located on Indian Land located in Region 7.

Date of Government Version: 03/20/2008	Source: EPA, Region 7
Date Data Arrived at EDR: 04/22/2008	Telephone: 913-551-7365
Date Made Active in Reports: 05/19/2008	Last EDR Contact: 04/20/2009
Number of Days to Update: 27	Next Scheduled EDR Contact: 07/20/2009
	Data Release Frequency: Varies

VCP: Voluntary Cleanup Program Properties

Contains low threat level properties with either confirmed or unconfirmed releases and the project proponents have request that DTSC oversee investigation and/or cleanup activities and have agreed to provide coverage for DTSC's costs.

Date of Government Version: 01/30/2017	Source: Department of Toxic Substances Control
Date Data Arrived at EDR: 01/31/2017	Telephone: 916-323-3400
Date Made Active in Reports: 05/23/2017	Last EDR Contact: 05/02/2017
Number of Days to Update: 112	Next Scheduled EDR Contact: 08/14/2017
	Data Release Frequency: Quarterly

GOVERNMENT RECORDS SEARCHED / DATA CURRENCY TRACKING

State and tribal Brownfields sites

BROWNFIELDS: Considered Brownfields Sites Listing

A listing of sites the SWRCB considers to be Brownfields since these are sites have come to them through the MOA Process.

Date of Government Version: 01/03/2017
Date Data Arrived at EDR: 01/04/2017
Date Made Active in Reports: 03/02/2017
Number of Days to Update: 57

Source: State Water Resources Control Board
Telephone: 916-323-7905
Last EDR Contact: 03/29/2017
Next Scheduled EDR Contact: 07/10/2017
Data Release Frequency: Varies

ADDITIONAL ENVIRONMENTAL RECORDS

Local Brownfield lists

US BROWNFIELDS: A Listing of Brownfields Sites

Brownfields are real property, the expansion, redevelopment, or reuse of which may be complicated by the presence or potential presence of a hazardous substance, pollutant, or contaminant. Cleaning up and reinvesting in these properties takes development pressures off of undeveloped, open land, and both improves and protects the environment. Assessment, Cleanup and Redevelopment Exchange System (ACRES) stores information reported by EPA Brownfields grant recipients on brownfields properties assessed or cleaned up with grant funding as well as information on Targeted Brownfields Assessments performed by EPA Regions. A listing of ACRES Brownfield sites is obtained from Cleanups in My Community. Cleanups in My Community provides information on Brownfields properties for which information is reported back to EPA, as well as areas served by Brownfields grant programs.

Date of Government Version: 03/02/2017
Date Data Arrived at EDR: 03/02/2017
Date Made Active in Reports: 04/07/2017
Number of Days to Update: 36

Source: Environmental Protection Agency
Telephone: 202-566-2777
Last EDR Contact: 03/02/2017
Next Scheduled EDR Contact: 07/03/2017
Data Release Frequency: Semi-Annually

Local Lists of Landfill / Solid Waste Disposal Sites

WMUDS/SWAT: Waste Management Unit Database

Waste Management Unit Database System. WMUDS is used by the State Water Resources Control Board staff and the Regional Water Quality Control Boards for program tracking and inventory of waste management units. WMUDS is composed of the following databases: Facility Information, Scheduled Inspections Information, Waste Management Unit Information, SWAT Program Information, SWAT Report Summary Information, SWAT Report Summary Data, Chapter 15 (formerly Subchapter 15) Information, Chapter 15 Monitoring Parameters, TPCA Program Information, RCRA Program Information, Closure Information, and Interested Parties Information.

Date of Government Version: 04/01/2000
Date Data Arrived at EDR: 04/10/2000
Date Made Active in Reports: 05/10/2000
Number of Days to Update: 30

Source: State Water Resources Control Board
Telephone: 916-227-4448
Last EDR Contact: 05/05/2017
Next Scheduled EDR Contact: 08/21/2017
Data Release Frequency: No Update Planned

SWRCY: Recycler Database

A listing of recycling facilities in California.

Date of Government Version: 03/13/2017
Date Data Arrived at EDR: 03/14/2017
Date Made Active in Reports: 05/03/2017
Number of Days to Update: 50

Source: Department of Conservation
Telephone: 916-323-3836
Last EDR Contact: 06/14/2017
Next Scheduled EDR Contact: 09/25/2017
Data Release Frequency: Quarterly

HAULERS: Registered Waste Tire Haulers Listing

A listing of registered waste tire haulers.

GOVERNMENT RECORDS SEARCHED / DATA CURRENCY TRACKING

Date of Government Version: 01/13/2017
Date Data Arrived at EDR: 01/17/2017
Date Made Active in Reports: 05/31/2017
Number of Days to Update: 134

Source: Integrated Waste Management Board
Telephone: 916-341-6422
Last EDR Contact: 05/15/2017
Next Scheduled EDR Contact: 08/28/2017
Data Release Frequency: Varies

INDIAN ODI: Report on the Status of Open Dumps on Indian Lands

Location of open dumps on Indian land.

Date of Government Version: 12/31/1998
Date Data Arrived at EDR: 12/03/2007
Date Made Active in Reports: 01/24/2008
Number of Days to Update: 52

Source: Environmental Protection Agency
Telephone: 703-308-8245
Last EDR Contact: 05/01/2017
Next Scheduled EDR Contact: 08/14/2017
Data Release Frequency: Varies

ODI: Open Dump Inventory

An open dump is defined as a disposal facility that does not comply with one or more of the Part 257 or Part 258 Subtitle D Criteria.

Date of Government Version: 06/30/1985
Date Data Arrived at EDR: 08/09/2004
Date Made Active in Reports: 09/17/2004
Number of Days to Update: 39

Source: Environmental Protection Agency
Telephone: 800-424-9346
Last EDR Contact: 06/09/2004
Next Scheduled EDR Contact: N/A
Data Release Frequency: No Update Planned

DEBRIS REGION 9: Torres Martinez Reservation Illegal Dump Site Locations

A listing of illegal dump sites location on the Torres Martinez Indian Reservation located in eastern Riverside County and northern Imperial County, California.

Date of Government Version: 01/12/2009
Date Data Arrived at EDR: 05/07/2009
Date Made Active in Reports: 09/21/2009
Number of Days to Update: 137

Source: EPA, Region 9
Telephone: 415-947-4219
Last EDR Contact: 04/24/2017
Next Scheduled EDR Contact: 08/07/2017
Data Release Frequency: No Update Planned

IHS OPEN DUMPS: Open Dumps on Indian Land

A listing of all open dumps located on Indian Land in the United States.

Date of Government Version: 04/01/2014
Date Data Arrived at EDR: 08/06/2014
Date Made Active in Reports: 01/29/2015
Number of Days to Update: 176

Source: Department of Health & Human Services, Indian Health Service
Telephone: 301-443-1452
Last EDR Contact: 05/05/2017
Next Scheduled EDR Contact: 08/14/2017
Data Release Frequency: Varies

Local Lists of Hazardous waste / Contaminated Sites

US HIST CDL: National Clandestine Laboratory Register

A listing of clandestine drug lab locations that have been removed from the DEAs National Clandestine Laboratory Register.

Date of Government Version: 02/09/2017
Date Data Arrived at EDR: 03/08/2017
Date Made Active in Reports: 06/09/2017
Number of Days to Update: 93

Source: Drug Enforcement Administration
Telephone: 202-307-1000
Last EDR Contact: 02/28/2017
Next Scheduled EDR Contact: 06/12/2017
Data Release Frequency: No Update Planned

HIST CAL-SITES: Calsites Database

The Calsites database contains potential or confirmed hazardous substance release properties. In 1996, California EPA reevaluated and significantly reduced the number of sites in the Calsites database. No longer updated by the state agency. It has been replaced by ENVIROSTOR.

GOVERNMENT RECORDS SEARCHED / DATA CURRENCY TRACKING

Date of Government Version: 08/08/2005
Date Data Arrived at EDR: 08/03/2006
Date Made Active in Reports: 08/24/2006
Number of Days to Update: 21

Source: Department of Toxic Substance Control
Telephone: 916-323-3400
Last EDR Contact: 02/23/2009
Next Scheduled EDR Contact: 05/25/2009
Data Release Frequency: No Update Planned

SCH: School Property Evaluation Program

This category contains proposed and existing school sites that are being evaluated by DTSC for possible hazardous materials contamination. In some cases, these properties may be listed in the CalSites category depending on the level of threat to public health and safety or the environment they pose.

Date of Government Version: 01/30/2017
Date Data Arrived at EDR: 01/31/2017
Date Made Active in Reports: 05/23/2017
Number of Days to Update: 112

Source: Department of Toxic Substances Control
Telephone: 916-323-3400
Last EDR Contact: 05/02/2017
Next Scheduled EDR Contact: 08/14/2017
Data Release Frequency: Quarterly

CDL: Clandestine Drug Labs

A listing of drug lab locations. Listing of a location in this database does not indicate that any illegal drug lab materials were or were not present there, and does not constitute a determination that the location either requires or does not require additional cleanup work.

Date of Government Version: 12/31/2016
Date Data Arrived at EDR: 03/17/2017
Date Made Active in Reports: 05/10/2017
Number of Days to Update: 54

Source: Department of Toxic Substances Control
Telephone: 916-255-6504
Last EDR Contact: 04/10/2017
Next Scheduled EDR Contact: 07/24/2017
Data Release Frequency: Varies

TOXIC PITS: Toxic Pits Cleanup Act Sites

Toxic PITS Cleanup Act Sites. TOXIC PITS identifies sites suspected of containing hazardous substances where cleanup has not yet been completed.

Date of Government Version: 07/01/1995
Date Data Arrived at EDR: 08/30/1995
Date Made Active in Reports: 09/26/1995
Number of Days to Update: 27

Source: State Water Resources Control Board
Telephone: 916-227-4364
Last EDR Contact: 01/26/2009
Next Scheduled EDR Contact: 04/27/2009
Data Release Frequency: No Update Planned

US CDL: Clandestine Drug Labs

A listing of clandestine drug lab locations. The U.S. Department of Justice ("the Department") provides this web site as a public service. It contains addresses of some locations where law enforcement agencies reported they found chemicals or other items that indicated the presence of either clandestine drug laboratories or dumpsites. In most cases, the source of the entries is not the Department, and the Department has not verified the entry and does not guarantee its accuracy. Members of the public must verify the accuracy of all entries by, for example, contacting local law enforcement and local health departments.

Date of Government Version: 02/09/2017
Date Data Arrived at EDR: 03/08/2017
Date Made Active in Reports: 06/09/2017
Number of Days to Update: 93

Source: Drug Enforcement Administration
Telephone: 202-307-1000
Last EDR Contact: 05/31/2017
Next Scheduled EDR Contact: 09/11/2017
Data Release Frequency: Quarterly

Local Lists of Registered Storage Tanks

SWEEPS UST: SWEEPS UST Listing

Statewide Environmental Evaluation and Planning System. This underground storage tank listing was updated and maintained by a company contacted by the SWRCB in the early 1990's. The listing is no longer updated or maintained. The local agency is the contact for more information on a site on the SWEEPS list.

GOVERNMENT RECORDS SEARCHED / DATA CURRENCY TRACKING

Date of Government Version: 06/01/1994
Date Data Arrived at EDR: 07/07/2005
Date Made Active in Reports: 08/11/2005
Number of Days to Update: 35

Source: State Water Resources Control Board
Telephone: N/A
Last EDR Contact: 06/03/2005
Next Scheduled EDR Contact: N/A
Data Release Frequency: No Update Planned

UST MENDOCINO: Mendocino County UST Database

A listing of underground storage tank locations in Mendocino County.

Date of Government Version: 03/09/2017
Date Data Arrived at EDR: 03/17/2017
Date Made Active in Reports: 05/23/2017
Number of Days to Update: 67

Source: Department of Public Health
Telephone: 707-463-4466
Last EDR Contact: 05/24/2017
Next Scheduled EDR Contact: 09/11/2017
Data Release Frequency: Annually

HIST UST: Hazardous Substance Storage Container Database

The Hazardous Substance Storage Container Database is a historical listing of UST sites. Refer to local/county source for current data.

Date of Government Version: 10/15/1990
Date Data Arrived at EDR: 01/25/1991
Date Made Active in Reports: 02/12/1991
Number of Days to Update: 18

Source: State Water Resources Control Board
Telephone: 916-341-5851
Last EDR Contact: 07/26/2001
Next Scheduled EDR Contact: N/A
Data Release Frequency: No Update Planned

CA FID UST: Facility Inventory Database

The Facility Inventory Database (FID) contains a historical listing of active and inactive underground storage tank locations from the State Water Resource Control Board. Refer to local/county source for current data.

Date of Government Version: 10/31/1994
Date Data Arrived at EDR: 09/05/1995
Date Made Active in Reports: 09/29/1995
Number of Days to Update: 24

Source: California Environmental Protection Agency
Telephone: 916-341-5851
Last EDR Contact: 12/28/1998
Next Scheduled EDR Contact: N/A
Data Release Frequency: No Update Planned

Local Land Records

LIENS: Environmental Liens Listing

A listing of property locations with environmental liens for California where DTSC is a lien holder.

Date of Government Version: 03/06/2017
Date Data Arrived at EDR: 03/07/2017
Date Made Active in Reports: 04/21/2017
Number of Days to Update: 45

Source: Department of Toxic Substances Control
Telephone: 916-323-3400
Last EDR Contact: 06/02/2017
Next Scheduled EDR Contact: 09/18/2017
Data Release Frequency: Varies

LIENS 2: CERCLA Lien Information

A Federal CERCLA ('Superfund') lien can exist by operation of law at any site or property at which EPA has spent Superfund monies. These monies are spent to investigate and address releases and threatened releases of contamination. CERCLIS provides information as to the identity of these sites and properties.

Date of Government Version: 02/18/2014
Date Data Arrived at EDR: 03/18/2014
Date Made Active in Reports: 04/24/2014
Number of Days to Update: 37

Source: Environmental Protection Agency
Telephone: 202-564-6023
Last EDR Contact: 06/09/2017
Next Scheduled EDR Contact: 08/07/2017
Data Release Frequency: Varies

DEED: Deed Restriction Listing

GOVERNMENT RECORDS SEARCHED / DATA CURRENCY TRACKING

Site Mitigation and Brownfields Reuse Program Facility Sites with Deed Restrictions & Hazardous Waste Management Program Facility Sites with Deed / Land Use Restriction. The DTSC Site Mitigation and Brownfields Reuse Program (SMBRP) list includes sites cleaned up under the program's oversight and generally does not include current or former hazardous waste facilities that required a hazardous waste facility permit. The list represents deed restrictions that are active. Some sites have multiple deed restrictions. The DTSC Hazardous Waste Management Program (HWMP) has developed a list of current or former hazardous waste facilities that have a recorded land use restriction at the local county recorder's office. The land use restrictions on this list were required by the DTSC HWMP as a result of the presence of hazardous substances that remain on site after the facility (or part of the facility) has been closed or cleaned up. The types of land use restriction include deed notice, deed restriction, or a land use restriction that binds current and future owners.

Date of Government Version: 03/06/2017	Source: DTSC and SWRCB
Date Data Arrived at EDR: 03/07/2017	Telephone: 916-323-3400
Date Made Active in Reports: 05/23/2017	Last EDR Contact: 06/06/2017
Number of Days to Update: 77	Next Scheduled EDR Contact: 09/18/2017
	Data Release Frequency: Semi-Annually

Records of Emergency Release Reports

HMIRS: Hazardous Materials Information Reporting System

Hazardous Materials Incident Report System. HMIRS contains hazardous material spill incidents reported to DOT.

Date of Government Version: 12/28/2016	Source: U.S. Department of Transportation
Date Data Arrived at EDR: 12/28/2016	Telephone: 202-366-4555
Date Made Active in Reports: 02/03/2017	Last EDR Contact: 03/29/2017
Number of Days to Update: 37	Next Scheduled EDR Contact: 07/10/2017
	Data Release Frequency: Annually

CHMIRS: California Hazardous Material Incident Report System

California Hazardous Material Incident Reporting System. CHMIRS contains information on reported hazardous material incidents (accidental releases or spills).

Date of Government Version: 12/06/2016	Source: Office of Emergency Services
Date Data Arrived at EDR: 01/25/2017	Telephone: 916-845-8400
Date Made Active in Reports: 05/10/2017	Last EDR Contact: 04/28/2017
Number of Days to Update: 105	Next Scheduled EDR Contact: 08/07/2017
	Data Release Frequency: Varies

LDS: Land Disposal Sites Listing (GEOTRACKER)

Land Disposal sites (Landfills) included in GeoTracker. GeoTracker is the Water Boards data management system for sites that impact, or have the potential to impact, water quality in California, with emphasis on groundwater.

Date of Government Version: 03/13/2017	Source: State Water Quality Control Board
Date Data Arrived at EDR: 03/14/2017	Telephone: 866-480-1028
Date Made Active in Reports: 05/02/2017	Last EDR Contact: 06/14/2017
Number of Days to Update: 49	Next Scheduled EDR Contact: 09/25/2017
	Data Release Frequency: Quarterly

MCS: Military Cleanup Sites Listing (GEOTRACKER)

Military sites (consisting of: Military UST sites; Military Privatized sites; and Military Cleanup sites [formerly known as DoD non UST]) included in GeoTracker. GeoTracker is the Water Boards data management system for sites that impact, or have the potential to impact, water quality in California, with emphasis on groundwater.

Date of Government Version: 03/13/2017	Source: State Water Resources Control Board
Date Data Arrived at EDR: 03/14/2017	Telephone: 866-480-1028
Date Made Active in Reports: 05/02/2017	Last EDR Contact: 06/14/2017
Number of Days to Update: 49	Next Scheduled EDR Contact: 09/25/2017
	Data Release Frequency: Quarterly

GOVERNMENT RECORDS SEARCHED / DATA CURRENCY TRACKING

SPILLS 90: SPILLS90 data from FirstSearch

Spills 90 includes those spill and release records available exclusively from FirstSearch databases. Typically, they may include chemical, oil and/or hazardous substance spills recorded after 1990. Duplicate records that are already included in EDR incident and release records are not included in Spills 90.

Date of Government Version: 06/06/2012	Source: FirstSearch
Date Data Arrived at EDR: 01/03/2013	Telephone: N/A
Date Made Active in Reports: 02/22/2013	Last EDR Contact: 01/03/2013
Number of Days to Update: 50	Next Scheduled EDR Contact: N/A
	Data Release Frequency: No Update Planned

Other Ascertainable Records

RCRA NonGen / NLR: RCRA - Non Generators / No Longer Regulated

RCRAInfo is EPA's comprehensive information system, providing access to data supporting the Resource Conservation and Recovery Act (RCRA) of 1976 and the Hazardous and Solid Waste Amendments (HSWA) of 1984. The database includes selective information on sites which generate, transport, store, treat and/or dispose of hazardous waste as defined by the Resource Conservation and Recovery Act (RCRA). Non-Generators do not presently generate hazardous waste.

Date of Government Version: 12/12/2016	Source: Environmental Protection Agency
Date Data Arrived at EDR: 12/28/2016	Telephone: (415) 495-8895
Date Made Active in Reports: 02/10/2017	Last EDR Contact: 05/02/2017
Number of Days to Update: 44	Next Scheduled EDR Contact: 04/10/2017
	Data Release Frequency: Varies

FUDS: Formerly Used Defense Sites

The listing includes locations of Formerly Used Defense Sites properties where the US Army Corps of Engineers is actively working or will take necessary cleanup actions.

Date of Government Version: 01/31/2015	Source: U.S. Army Corps of Engineers
Date Data Arrived at EDR: 07/08/2015	Telephone: 202-528-4285
Date Made Active in Reports: 10/13/2015	Last EDR Contact: 02/24/2017
Number of Days to Update: 97	Next Scheduled EDR Contact: 06/05/2017
	Data Release Frequency: Varies

DOD: Department of Defense Sites

This data set consists of federally owned or administered lands, administered by the Department of Defense, that have any area equal to or greater than 640 acres of the United States, Puerto Rico, and the U.S. Virgin Islands.

Date of Government Version: 12/31/2005	Source: USGS
Date Data Arrived at EDR: 11/10/2006	Telephone: 888-275-8747
Date Made Active in Reports: 01/11/2007	Last EDR Contact: 04/14/2017
Number of Days to Update: 62	Next Scheduled EDR Contact: 07/24/2017
	Data Release Frequency: Semi-Annually

FEDLAND: Federal and Indian Lands

Federally and Indian administrated lands of the United States. Lands included are administrated by: Army Corps of Engineers, Bureau of Reclamation, National Wild and Scenic River, National Wildlife Refuge, Public Domain Land, Wilderness, Wilderness Study Area, Wildlife Management Area, Bureau of Indian Affairs, Bureau of Land Management, Department of Justice, Forest Service, Fish and Wildlife Service, National Park Service.

Date of Government Version: 12/31/2005	Source: U.S. Geological Survey
Date Data Arrived at EDR: 02/06/2006	Telephone: 888-275-8747
Date Made Active in Reports: 01/11/2007	Last EDR Contact: 04/14/2017
Number of Days to Update: 339	Next Scheduled EDR Contact: 07/24/2017
	Data Release Frequency: N/A

SCRD DRYCLEANERS: State Coalition for Remediation of Drycleaners Listing

The State Coalition for Remediation of Drycleaners was established in 1998, with support from the U.S. EPA Office of Superfund Remediation and Technology Innovation. It is comprised of representatives of states with established drycleaner remediation programs. Currently the member states are Alabama, Connecticut, Florida, Illinois, Kansas, Minnesota, Missouri, North Carolina, Oregon, South Carolina, Tennessee, Texas, and Wisconsin.

GOVERNMENT RECORDS SEARCHED / DATA CURRENCY TRACKING

Date of Government Version: 01/01/2017
Date Data Arrived at EDR: 02/03/2017
Date Made Active in Reports: 04/07/2017
Number of Days to Update: 63

Source: Environmental Protection Agency
Telephone: 615-532-8599
Last EDR Contact: 05/19/2017
Next Scheduled EDR Contact: 08/28/2017
Data Release Frequency: Varies

US FIN ASSUR: Financial Assurance Information

All owners and operators of facilities that treat, store, or dispose of hazardous waste are required to provide proof that they will have sufficient funds to pay for the clean up, closure, and post-closure care of their facilities.

Date of Government Version: 02/13/2017
Date Data Arrived at EDR: 02/15/2017
Date Made Active in Reports: 05/12/2017
Number of Days to Update: 86

Source: Environmental Protection Agency
Telephone: 202-566-1917
Last EDR Contact: 05/17/2017
Next Scheduled EDR Contact: 08/28/2017
Data Release Frequency: Quarterly

EPA WATCH LIST: EPA WATCH LIST

EPA maintains a "Watch List" to facilitate dialogue between EPA, state and local environmental agencies on enforcement matters relating to facilities with alleged violations identified as either significant or high priority. Being on the Watch List does not mean that the facility has actually violated the law only that an investigation by EPA or a state or local environmental agency has led those organizations to allege that an unproven violation has in fact occurred. Being on the Watch List does not represent a higher level of concern regarding the alleged violations that were detected, but instead indicates cases requiring additional dialogue between EPA, state and local agencies - primarily because of the length of time the alleged violation has gone unaddressed or unresolved.

Date of Government Version: 08/30/2013
Date Data Arrived at EDR: 03/21/2014
Date Made Active in Reports: 06/17/2014
Number of Days to Update: 88

Source: Environmental Protection Agency
Telephone: 617-520-3000
Last EDR Contact: 05/08/2017
Next Scheduled EDR Contact: 08/21/2017
Data Release Frequency: Quarterly

2020 COR ACTION: 2020 Corrective Action Program List

The EPA has set ambitious goals for the RCRA Corrective Action program by creating the 2020 Corrective Action Universe. This RCRA cleanup baseline includes facilities expected to need corrective action. The 2020 universe contains a wide variety of sites. Some properties are heavily contaminated while others were contaminated but have since been cleaned up. Still others have not been fully investigated yet, and may require little or no remediation. Inclusion in the 2020 Universe does not necessarily imply failure on the part of a facility to meet its RCRA obligations.

Date of Government Version: 04/22/2013
Date Data Arrived at EDR: 03/03/2015
Date Made Active in Reports: 03/09/2015
Number of Days to Update: 6

Source: Environmental Protection Agency
Telephone: 703-308-4044
Last EDR Contact: 05/05/2017
Next Scheduled EDR Contact: 08/21/2017
Data Release Frequency: Varies

TSCA: Toxic Substances Control Act

Toxic Substances Control Act. TSCA identifies manufacturers and importers of chemical substances included on the TSCA Chemical Substance Inventory list. It includes data on the production volume of these substances by plant site.

Date of Government Version: 12/31/2012
Date Data Arrived at EDR: 01/15/2015
Date Made Active in Reports: 01/29/2015
Number of Days to Update: 14

Source: EPA
Telephone: 202-260-5521
Last EDR Contact: 03/24/2017
Next Scheduled EDR Contact: 07/03/2017
Data Release Frequency: Every 4 Years

TRIS: Toxic Chemical Release Inventory System

Toxic Release Inventory System. TRIS identifies facilities which release toxic chemicals to the air, water and land in reportable quantities under SARA Title III Section 313.

GOVERNMENT RECORDS SEARCHED / DATA CURRENCY TRACKING

Date of Government Version: 12/31/2014
Date Data Arrived at EDR: 11/24/2015
Date Made Active in Reports: 04/05/2016
Number of Days to Update: 133

Source: EPA
Telephone: 202-566-0250
Last EDR Contact: 05/26/2017
Next Scheduled EDR Contact: 09/04/2017
Data Release Frequency: Annually

SSTS: Section 7 Tracking Systems

Section 7 of the Federal Insecticide, Fungicide and Rodenticide Act, as amended (92 Stat. 829) requires all registered pesticide-producing establishments to submit a report to the Environmental Protection Agency by March 1st each year. Each establishment must report the types and amounts of pesticides, active ingredients and devices being produced, and those having been produced and sold or distributed in the past year.

Date of Government Version: 12/31/2009
Date Data Arrived at EDR: 12/10/2010
Date Made Active in Reports: 02/25/2011
Number of Days to Update: 77

Source: EPA
Telephone: 202-564-4203
Last EDR Contact: 04/26/2017
Next Scheduled EDR Contact: 08/07/2017
Data Release Frequency: Annually

ROD: Records Of Decision

Record of Decision. ROD documents mandate a permanent remedy at an NPL (Superfund) site containing technical and health information to aid in the cleanup.

Date of Government Version: 11/25/2013
Date Data Arrived at EDR: 12/12/2013
Date Made Active in Reports: 02/24/2014
Number of Days to Update: 74

Source: EPA
Telephone: 703-416-0223
Last EDR Contact: 06/09/2017
Next Scheduled EDR Contact: 09/18/2017
Data Release Frequency: Annually

RMP: Risk Management Plans

When Congress passed the Clean Air Act Amendments of 1990, it required EPA to publish regulations and guidance for chemical accident prevention at facilities using extremely hazardous substances. The Risk Management Program Rule (RMP Rule) was written to implement Section 112(r) of these amendments. The rule, which built upon existing industry codes and standards, requires companies of all sizes that use certain flammable and toxic substances to develop a Risk Management Program, which includes a(n): Hazard assessment that details the potential effects of an accidental release, an accident history of the last five years, and an evaluation of worst-case and alternative accidental releases; Prevention program that includes safety precautions and maintenance, monitoring, and employee training measures; and Emergency response program that spells out emergency health care, employee training measures and procedures for informing the public and response agencies (e.g the fire department) should an accident occur.

Date of Government Version: 02/01/2017
Date Data Arrived at EDR: 02/09/2017
Date Made Active in Reports: 04/07/2017
Number of Days to Update: 57

Source: Environmental Protection Agency
Telephone: 202-564-8600
Last EDR Contact: 04/21/2017
Next Scheduled EDR Contact: 08/07/2017
Data Release Frequency: Varies

RAATS: RCRA Administrative Action Tracking System

RCRA Administration Action Tracking System. RAATS contains records based on enforcement actions issued under RCRA pertaining to major violators and includes administrative and civil actions brought by the EPA. For administration actions after September 30, 1995, data entry in the RAATS database was discontinued. EPA will retain a copy of the database for historical records. It was necessary to terminate RAATS because a decrease in agency resources made it impossible to continue to update the information contained in the database.

Date of Government Version: 04/17/1995
Date Data Arrived at EDR: 07/03/1995
Date Made Active in Reports: 08/07/1995
Number of Days to Update: 35

Source: EPA
Telephone: 202-564-4104
Last EDR Contact: 06/02/2008
Next Scheduled EDR Contact: 09/01/2008
Data Release Frequency: No Update Planned

GOVERNMENT RECORDS SEARCHED / DATA CURRENCY TRACKING

PRP: Potentially Responsible Parties

A listing of verified Potentially Responsible Parties

Date of Government Version: 10/25/2013	Source: EPA
Date Data Arrived at EDR: 10/17/2014	Telephone: 202-564-6023
Date Made Active in Reports: 10/20/2014	Last EDR Contact: 06/06/2017
Number of Days to Update: 3	Next Scheduled EDR Contact: 08/21/2017
	Data Release Frequency: Quarterly

PADS: PCB Activity Database System

PCB Activity Database. PADS Identifies generators, transporters, commercial storers and/or brokers and disposers of PCB's who are required to notify the EPA of such activities.

Date of Government Version: 01/20/2016	Source: EPA
Date Data Arrived at EDR: 04/28/2016	Telephone: 202-566-0500
Date Made Active in Reports: 09/02/2016	Last EDR Contact: 04/10/2017
Number of Days to Update: 127	Next Scheduled EDR Contact: 07/24/2017
	Data Release Frequency: Annually

ICIS: Integrated Compliance Information System

The Integrated Compliance Information System (ICIS) supports the information needs of the national enforcement and compliance program as well as the unique needs of the National Pollutant Discharge Elimination System (NPDES) program.

Date of Government Version: 11/18/2016	Source: Environmental Protection Agency
Date Data Arrived at EDR: 11/23/2016	Telephone: 202-564-2501
Date Made Active in Reports: 02/10/2017	Last EDR Contact: 04/10/2017
Number of Days to Update: 79	Next Scheduled EDR Contact: 07/24/2017
	Data Release Frequency: Quarterly

FTTS: FIFRA/ TSCA Tracking System - FIFRA (Federal Insecticide, Fungicide, & Rodenticide Act)/TSCA (Toxic Substances Control Act)

FTTS tracks administrative cases and pesticide enforcement actions and compliance activities related to FIFRA, TSCA and EPCRA (Emergency Planning and Community Right-to-Know Act). To maintain currency, EDR contacts the Agency on a quarterly basis.

Date of Government Version: 04/09/2009	Source: EPA/Office of Prevention, Pesticides and Toxic Substances
Date Data Arrived at EDR: 04/16/2009	Telephone: 202-566-1667
Date Made Active in Reports: 05/11/2009	Last EDR Contact: 05/19/2017
Number of Days to Update: 25	Next Scheduled EDR Contact: 09/04/2017
	Data Release Frequency: Quarterly

FTTS INSP: FIFRA/ TSCA Tracking System - FIFRA (Federal Insecticide, Fungicide, & Rodenticide Act)/TSCA (Toxic Substances Control Act)

A listing of FIFRA/TSCA Tracking System (FTTS) inspections and enforcements.

Date of Government Version: 04/09/2009	Source: EPA
Date Data Arrived at EDR: 04/16/2009	Telephone: 202-566-1667
Date Made Active in Reports: 05/11/2009	Last EDR Contact: 05/19/2017
Number of Days to Update: 25	Next Scheduled EDR Contact: 09/04/2017
	Data Release Frequency: Quarterly

MLTS: Material Licensing Tracking System

MLTS is maintained by the Nuclear Regulatory Commission and contains a list of approximately 8,100 sites which possess or use radioactive materials and which are subject to NRC licensing requirements. To maintain currency, EDR contacts the Agency on a quarterly basis.

Date of Government Version: 08/30/2016	Source: Nuclear Regulatory Commission
Date Data Arrived at EDR: 09/08/2016	Telephone: 301-415-7169
Date Made Active in Reports: 10/21/2016	Last EDR Contact: 05/08/2017
Number of Days to Update: 43	Next Scheduled EDR Contact: 08/21/2017
	Data Release Frequency: Quarterly

GOVERNMENT RECORDS SEARCHED / DATA CURRENCY TRACKING

COAL ASH DOE: Steam-Electric Plant Operation Data

A listing of power plants that store ash in surface ponds.

Date of Government Version: 12/31/2005	Source: Department of Energy
Date Data Arrived at EDR: 08/07/2009	Telephone: 202-586-8719
Date Made Active in Reports: 10/22/2009	Last EDR Contact: 06/05/2017
Number of Days to Update: 76	Next Scheduled EDR Contact: 09/18/2017
	Data Release Frequency: Varies

COAL ASH EPA: Coal Combustion Residues Surface Impoundments List

A listing of coal combustion residues surface impoundments with high hazard potential ratings.

Date of Government Version: 07/01/2014	Source: Environmental Protection Agency
Date Data Arrived at EDR: 09/10/2014	Telephone: N/A
Date Made Active in Reports: 10/20/2014	Last EDR Contact: 06/05/2017
Number of Days to Update: 40	Next Scheduled EDR Contact: 09/18/2017
	Data Release Frequency: Varies

PCB TRANSFORMER: PCB Transformer Registration Database

The database of PCB transformer registrations that includes all PCB registration submittals.

Date of Government Version: 02/01/2011	Source: Environmental Protection Agency
Date Data Arrived at EDR: 10/19/2011	Telephone: 202-566-0517
Date Made Active in Reports: 01/10/2012	Last EDR Contact: 04/28/2017
Number of Days to Update: 83	Next Scheduled EDR Contact: 08/07/2017
	Data Release Frequency: Varies

RADINFO: Radiation Information Database

The Radiation Information Database (RADINFO) contains information about facilities that are regulated by U.S. Environmental Protection Agency (EPA) regulations for radiation and radioactivity.

Date of Government Version: 01/04/2017	Source: Environmental Protection Agency
Date Data Arrived at EDR: 01/06/2017	Telephone: 202-343-9775
Date Made Active in Reports: 02/10/2017	Last EDR Contact: 04/06/2017
Number of Days to Update: 35	Next Scheduled EDR Contact: 07/17/2017
	Data Release Frequency: Quarterly

HIST FTTS: FIFRA/TSCA Tracking System Administrative Case Listing

A complete administrative case listing from the FIFRA/TSCA Tracking System (FTTS) for all ten EPA regions. The information was obtained from the National Compliance Database (NCDB). NCDB supports the implementation of FIFRA (Federal Insecticide, Fungicide, and Rodenticide Act) and TSCA (Toxic Substances Control Act). Some EPA regions are now closing out records. Because of that, and the fact that some EPA regions are not providing EPA Headquarters with updated records, it was decided to create a HIST FTTS database. It included records that may not be included in the newer FTTS database updates. This database is no longer updated.

Date of Government Version: 10/19/2006	Source: Environmental Protection Agency
Date Data Arrived at EDR: 03/01/2007	Telephone: 202-564-2501
Date Made Active in Reports: 04/10/2007	Last EDR Contact: 12/17/2007
Number of Days to Update: 40	Next Scheduled EDR Contact: 03/17/2008
	Data Release Frequency: No Update Planned

HIST FTTS INSP: FIFRA/TSCA Tracking System Inspection & Enforcement Case Listing

A complete inspection and enforcement case listing from the FIFRA/TSCA Tracking System (FTTS) for all ten EPA regions. The information was obtained from the National Compliance Database (NCDB). NCDB supports the implementation of FIFRA (Federal Insecticide, Fungicide, and Rodenticide Act) and TSCA (Toxic Substances Control Act). Some EPA regions are now closing out records. Because of that, and the fact that some EPA regions are not providing EPA Headquarters with updated records, it was decided to create a HIST FTTS database. It included records that may not be included in the newer FTTS database updates. This database is no longer updated.

GOVERNMENT RECORDS SEARCHED / DATA CURRENCY TRACKING

Date of Government Version: 10/19/2006
Date Data Arrived at EDR: 03/01/2007
Date Made Active in Reports: 04/10/2007
Number of Days to Update: 40

Source: Environmental Protection Agency
Telephone: 202-564-2501
Last EDR Contact: 12/17/2008
Next Scheduled EDR Contact: 03/17/2008
Data Release Frequency: No Update Planned

DOT OPS: Incident and Accident Data

Department of Transportation, Office of Pipeline Safety Incident and Accident data.

Date of Government Version: 07/31/2012
Date Data Arrived at EDR: 08/07/2012
Date Made Active in Reports: 09/18/2012
Number of Days to Update: 42

Source: Department of Transportation, Office of Pipeline Safety
Telephone: 202-366-4595
Last EDR Contact: 05/02/2017
Next Scheduled EDR Contact: 08/14/2017
Data Release Frequency: Varies

CONSENT: Superfund (CERCLA) Consent Decrees

Major legal settlements that establish responsibility and standards for cleanup at NPL (Superfund) sites. Released periodically by United States District Courts after settlement by parties to litigation matters.

Date of Government Version: 09/30/2016
Date Data Arrived at EDR: 11/18/2016
Date Made Active in Reports: 02/03/2017
Number of Days to Update: 77

Source: Department of Justice, Consent Decree Library
Telephone: Varies
Last EDR Contact: 03/27/2017
Next Scheduled EDR Contact: 07/10/2017
Data Release Frequency: Varies

BRS: Biennial Reporting System

The Biennial Reporting System is a national system administered by the EPA that collects data on the generation and management of hazardous waste. BRS captures detailed data from two groups: Large Quantity Generators (LQG) and Treatment, Storage, and Disposal Facilities.

Date of Government Version: 12/31/2013
Date Data Arrived at EDR: 02/24/2015
Date Made Active in Reports: 09/30/2015
Number of Days to Update: 218

Source: EPA/NTIS
Telephone: 800-424-9346
Last EDR Contact: 05/26/2017
Next Scheduled EDR Contact: 09/04/2017
Data Release Frequency: Biennially

INDIAN RESERV: Indian Reservations

This map layer portrays Indian administered lands of the United States that have any area equal to or greater than 640 acres.

Date of Government Version: 12/31/2014
Date Data Arrived at EDR: 07/14/2015
Date Made Active in Reports: 01/10/2017
Number of Days to Update: 546

Source: USGS
Telephone: 202-208-3710
Last EDR Contact: 04/14/2017
Next Scheduled EDR Contact: 07/24/2017
Data Release Frequency: Semi-Annually

FUSRAP: Formerly Utilized Sites Remedial Action Program

DOE established the Formerly Utilized Sites Remedial Action Program (FUSRAP) in 1974 to remediate sites where radioactive contamination remained from Manhattan Project and early U.S. Atomic Energy Commission (AEC) operations.

Date of Government Version: 12/23/2016
Date Data Arrived at EDR: 12/27/2016
Date Made Active in Reports: 02/17/2017
Number of Days to Update: 52

Source: Department of Energy
Telephone: 202-586-3559
Last EDR Contact: 05/05/2017
Next Scheduled EDR Contact: 08/21/2017
Data Release Frequency: Varies

UMTRA: Uranium Mill Tailings Sites

Uranium ore was mined by private companies for federal government use in national defense programs. When the mills shut down, large piles of the sand-like material (mill tailings) remain after uranium has been extracted from the ore. Levels of human exposure to radioactive materials from the piles are low; however, in some cases tailings were used as construction materials before the potential health hazards of the tailings were recognized.

GOVERNMENT RECORDS SEARCHED / DATA CURRENCY TRACKING

Date of Government Version: 09/14/2010
Date Data Arrived at EDR: 10/07/2011
Date Made Active in Reports: 03/01/2012
Number of Days to Update: 146

Source: Department of Energy
Telephone: 505-845-0011
Last EDR Contact: 05/22/2017
Next Scheduled EDR Contact: 09/04/2017
Data Release Frequency: Varies

LEAD SMELTER 1: Lead Smelter Sites

A listing of former lead smelter site locations.

Date of Government Version: 12/05/2016
Date Data Arrived at EDR: 01/05/2017
Date Made Active in Reports: 02/10/2017
Number of Days to Update: 36

Source: Environmental Protection Agency
Telephone: 703-603-8787
Last EDR Contact: 06/09/2017
Next Scheduled EDR Contact: 07/17/2017
Data Release Frequency: Varies

LEAD SMELTER 2: Lead Smelter Sites

A list of several hundred sites in the U.S. where secondary lead smelting was done from 1931 and 1964. These sites may pose a threat to public health through ingestion or inhalation of contaminated soil or dust

Date of Government Version: 04/05/2001
Date Data Arrived at EDR: 10/27/2010
Date Made Active in Reports: 12/02/2010
Number of Days to Update: 36

Source: American Journal of Public Health
Telephone: 703-305-6451
Last EDR Contact: 12/02/2009
Next Scheduled EDR Contact: N/A
Data Release Frequency: No Update Planned

US AIRS (AFS): Aerometric Information Retrieval System Facility Subsystem (AFS)

The database is a sub-system of Aerometric Information Retrieval System (AIRS). AFS contains compliance data on air pollution point sources regulated by the U.S. EPA and/or state and local air regulatory agencies. This information comes from source reports by various stationary sources of air pollution, such as electric power plants, steel mills, factories, and universities, and provides information about the air pollutants they produce. Action, air program, air program pollutant, and general level plant data. It is used to track emissions and compliance data from industrial plants.

Date of Government Version: 10/12/2016
Date Data Arrived at EDR: 10/26/2016
Date Made Active in Reports: 02/03/2017
Number of Days to Update: 100

Source: EPA
Telephone: 202-564-2496
Last EDR Contact: 03/07/2017
Next Scheduled EDR Contact: 07/10/2017
Data Release Frequency: Annually

US AIRS MINOR: Air Facility System Data

A listing of minor source facilities.

Date of Government Version: 10/12/2016
Date Data Arrived at EDR: 10/26/2016
Date Made Active in Reports: 02/03/2017
Number of Days to Update: 100

Source: EPA
Telephone: 202-564-2496
Last EDR Contact: 03/07/2017
Next Scheduled EDR Contact: 04/10/2017
Data Release Frequency: Annually

US MINES: Mines Master Index File

Contains all mine identification numbers issued for mines active or opened since 1971. The data also includes violation information.

Date of Government Version: 02/08/2017
Date Data Arrived at EDR: 02/28/2017
Date Made Active in Reports: 04/07/2017
Number of Days to Update: 38

Source: Department of Labor, Mine Safety and Health Administration
Telephone: 303-231-5959
Last EDR Contact: 05/31/2017
Next Scheduled EDR Contact: 09/11/2017
Data Release Frequency: Semi-Annually

US MINES 2: Ferrous and Nonferrous Metal Mines Database Listing

This map layer includes ferrous (ferrous metal mines are facilities that extract ferrous metals, such as iron ore or molybdenum) and nonferrous (Nonferrous metal mines are facilities that extract nonferrous metals, such as gold, silver, copper, zinc, and lead) metal mines in the United States.

GOVERNMENT RECORDS SEARCHED / DATA CURRENCY TRACKING

Date of Government Version: 12/05/2005	Source: USGS
Date Data Arrived at EDR: 02/29/2008	Telephone: 703-648-7709
Date Made Active in Reports: 04/18/2008	Last EDR Contact: 05/31/2017
Number of Days to Update: 49	Next Scheduled EDR Contact: 09/11/2017
	Data Release Frequency: Varies

US MINES 3: Active Mines & Mineral Plants Database Listing

Active Mines and Mineral Processing Plant operations for commodities monitored by the Minerals Information Team of the USGS.

Date of Government Version: 04/14/2011	Source: USGS
Date Data Arrived at EDR: 06/08/2011	Telephone: 703-648-7709
Date Made Active in Reports: 09/13/2011	Last EDR Contact: 06/02/2017
Number of Days to Update: 97	Next Scheduled EDR Contact: 09/11/2017
	Data Release Frequency: Varies

ABANDONED MINES: Abandoned Mines

An inventory of land and water impacted by past mining (primarily coal mining) is maintained by OSMRE to provide information needed to implement the Surface Mining Control and Reclamation Act of 1977 (SMCRA). The inventory contains information on the location, type, and extent of AML impacts, as well as, information on the cost associated with the reclamation of those problems. The inventory is based upon field surveys by State, Tribal, and OSMRE program officials. It is dynamic to the extent that it is modified as new problems are identified and existing problems are reclaimed.

Date of Government Version: 03/14/2017	Source: Department of Interior
Date Data Arrived at EDR: 03/17/2017	Telephone: 202-208-2609
Date Made Active in Reports: 04/07/2017	Last EDR Contact: 06/09/2017
Number of Days to Update: 21	Next Scheduled EDR Contact: 09/25/2017
	Data Release Frequency: Quarterly

FINDS: Facility Index System/Facility Registry System

Facility Index System. FINDS contains both facility information and 'pointers' to other sources that contain more detail. EDR includes the following FINDS databases in this report: PCS (Permit Compliance System), AIRS (Aerometric Information Retrieval System), DOCKET (Enforcement Docket used to manage and track information on civil judicial enforcement cases for all environmental statutes), FURS (Federal Underground Injection Control), C-DOCKET (Criminal Docket System used to track criminal enforcement actions for all environmental statutes), FFIS (Federal Facilities Information System), STATE (State Environmental Laws and Statutes), and PADS (PCB Activity Data System).

Date of Government Version: 04/04/2017	Source: EPA
Date Data Arrived at EDR: 04/07/2017	Telephone: (415) 947-8000
Date Made Active in Reports: 05/12/2017	Last EDR Contact: 06/07/2017
Number of Days to Update: 35	Next Scheduled EDR Contact: 09/18/2017
	Data Release Frequency: Quarterly

ECHO: Enforcement & Compliance History Information

ECHO provides integrated compliance and enforcement information for about 800,000 regulated facilities nationwide.

Date of Government Version: 03/19/2017	Source: Environmental Protection Agency
Date Data Arrived at EDR: 03/21/2017	Telephone: 202-564-2280
Date Made Active in Reports: 05/12/2017	Last EDR Contact: 06/07/2017
Number of Days to Update: 52	Next Scheduled EDR Contact: 09/18/2017
	Data Release Frequency: Quarterly

UXO: Unexploded Ordnance Sites

A listing of unexploded ordnance site locations

Date of Government Version: 10/25/2015	Source: Department of Defense
Date Data Arrived at EDR: 01/29/2016	Telephone: 571-373-0407
Date Made Active in Reports: 04/05/2016	Last EDR Contact: 05/22/2017
Number of Days to Update: 67	Next Scheduled EDR Contact: 07/31/2017
	Data Release Frequency: Varies

GOVERNMENT RECORDS SEARCHED / DATA CURRENCY TRACKING

DOCKET HWC: Hazardous Waste Compliance Docket Listing

A complete list of the Federal Agency Hazardous Waste Compliance Docket Facilities.

Date of Government Version: 06/02/2016	Source: Environmental Protection Agency
Date Data Arrived at EDR: 06/03/2016	Telephone: 202-564-0527
Date Made Active in Reports: 09/02/2016	Last EDR Contact: 05/24/2017
Number of Days to Update: 91	Next Scheduled EDR Contact: 09/11/2017
	Data Release Frequency: Varies

FUELS PROGRAM: EPA Fuels Program Registered Listing

This listing includes facilities that are registered under the Part 80 (Code of Federal Regulations) EPA Fuels Programs. All companies now are required to submit new and updated registrations.

Date of Government Version: 02/22/2017	Source: EPA
Date Data Arrived at EDR: 02/22/2017	Telephone: 800-385-6164
Date Made Active in Reports: 05/12/2017	Last EDR Contact: 05/24/2017
Number of Days to Update: 79	Next Scheduled EDR Contact: 09/04/2017
	Data Release Frequency: Quarterly

CA BOND EXP. PLAN: Bond Expenditure Plan

Department of Health Services developed a site-specific expenditure plan as the basis for an appropriation of Hazardous Substance Cleanup Bond Act funds. It is not updated.

Date of Government Version: 01/01/1989	Source: Department of Health Services
Date Data Arrived at EDR: 07/27/1994	Telephone: 916-255-2118
Date Made Active in Reports: 08/02/1994	Last EDR Contact: 05/31/1994
Number of Days to Update: 6	Next Scheduled EDR Contact: N/A
	Data Release Frequency: No Update Planned

CORTESE: "Cortese" Hazardous Waste & Substances Sites List

The sites for the list are designated by the State Water Resource Control Board (LUST), the Integrated Waste Board (SWF/LS), and the Department of Toxic Substances Control (Cal-Sites).

Date of Government Version: 12/28/2016	Source: CAL EPA/Office of Emergency Information
Date Data Arrived at EDR: 12/28/2016	Telephone: 916-323-3400
Date Made Active in Reports: 03/02/2017	Last EDR Contact: 03/29/2017
Number of Days to Update: 64	Next Scheduled EDR Contact: 07/10/2017
	Data Release Frequency: Quarterly

DRYCLEANERS: Cleaner Facilities

A list of drycleaner related facilities that have EPA ID numbers. These are facilities with certain SIC codes: power laundries, family and commercial; garment pressing and cleaner's agents; linen supply; coin-operated laundries and cleaning; drycleaning plants, except rugs; carpet and upholster cleaning; industrial launderers; laundry and garment services.

Date of Government Version: 03/09/2017	Source: Department of Toxic Substance Control
Date Data Arrived at EDR: 04/11/2017	Telephone: 916-327-4498
Date Made Active in Reports: 05/23/2017	Last EDR Contact: 06/02/2017
Number of Days to Update: 42	Next Scheduled EDR Contact: 09/18/2017
	Data Release Frequency: Annually

EMI: Emissions Inventory Data

Toxics and criteria pollutant emissions data collected by the ARB and local air pollution agencies.

Date of Government Version: 12/31/2014	Source: California Air Resources Board
Date Data Arrived at EDR: 09/23/2016	Telephone: 916-322-2990
Date Made Active in Reports: 10/24/2016	Last EDR Contact: 03/21/2017
Number of Days to Update: 31	Next Scheduled EDR Contact: 07/03/2017
	Data Release Frequency: Varies

GOVERNMENT RECORDS SEARCHED / DATA CURRENCY TRACKING

ENF: Enforcement Action Listing

A listing of Water Board Enforcement Actions. Formal is everything except Oral/Verbal Communication, Notice of Violation, Expedited Payment Letter, and Staff Enforcement Letter.

Date of Government Version: 01/23/2017	Source: State Water Resources Control Board
Date Data Arrived at EDR: 01/27/2017	Telephone: 916-445-9379
Date Made Active in Reports: 05/25/2017	Last EDR Contact: 04/24/2017
Number of Days to Update: 118	Next Scheduled EDR Contact: 08/07/2017
	Data Release Frequency: Varies

Financial Assurance 1: Financial Assurance Information Listing

Financial Assurance information

Date of Government Version: 04/25/2016	Source: Department of Toxic Substances Control
Date Data Arrived at EDR: 04/29/2016	Telephone: 916-255-3628
Date Made Active in Reports: 06/21/2016	Last EDR Contact: 06/02/2017
Number of Days to Update: 53	Next Scheduled EDR Contact: 08/07/2017
	Data Release Frequency: Varies

Financial Assurance 2: Financial Assurance Information Listing

A listing of financial assurance information for solid waste facilities. Financial assurance is intended to ensure that resources are available to pay for the cost of closure, post-closure care, and corrective measures if the owner or operator of a regulated facility is unable or unwilling to pay.

Date of Government Version: 02/14/2017	Source: California Integrated Waste Management Board
Date Data Arrived at EDR: 02/17/2017	Telephone: 916-341-6066
Date Made Active in Reports: 05/25/2017	Last EDR Contact: 05/15/2017
Number of Days to Update: 97	Next Scheduled EDR Contact: 08/28/2017
	Data Release Frequency: Varies

HAZNET: Facility and Manifest Data

Facility and Manifest Data. The data is extracted from the copies of hazardous waste manifests received each year by the DTSC. The annual volume of manifests is typically 700,000 - 1,000,000 annually, representing approximately 350,000 - 500,000 shipments. Data are from the manifests submitted without correction, and therefore many contain some invalid values for data elements such as generator ID, TSD ID, waste category, and disposal method. This database begins with calendar year 1993.

Date of Government Version: 12/31/2015	Source: California Environmental Protection Agency
Date Data Arrived at EDR: 10/12/2016	Telephone: 916-255-1136
Date Made Active in Reports: 12/15/2016	Last EDR Contact: 04/14/2017
Number of Days to Update: 64	Next Scheduled EDR Contact: 07/24/2017
	Data Release Frequency: Annually

ICE: ICE

Contains data pertaining to the Permitted Facilities with Inspections / Enforcements sites tracked in Envirostor.

Date of Government Version: 11/21/2016	Source: Department of Toxic Substances Control
Date Data Arrived at EDR: 11/22/2016	Telephone: 877-786-9427
Date Made Active in Reports: 01/23/2017	Last EDR Contact: 05/24/2017
Number of Days to Update: 62	Next Scheduled EDR Contact: 09/04/2017
	Data Release Frequency: Quarterly

HIST CORTESE: Hazardous Waste & Substance Site List

The sites for the list are designated by the State Water Resource Control Board [LUST], the Integrated Waste Board [SWF/LS], and the Department of Toxic Substances Control [CALSITES]. This listing is no longer updated by the state agency.

Date of Government Version: 04/01/2001	Source: Department of Toxic Substances Control
Date Data Arrived at EDR: 01/22/2009	Telephone: 916-323-3400
Date Made Active in Reports: 04/08/2009	Last EDR Contact: 01/22/2009
Number of Days to Update: 76	Next Scheduled EDR Contact: N/A
	Data Release Frequency: No Update Planned

GOVERNMENT RECORDS SEARCHED / DATA CURRENCY TRACKING

HWP: EnviroStor Permitted Facilities Listing

Detailed information on permitted hazardous waste facilities and corrective action ("cleanups") tracked in EnviroStor.

Date of Government Version: 11/21/2016	Source: Department of Toxic Substances Control
Date Data Arrived at EDR: 11/22/2016	Telephone: 916-323-3400
Date Made Active in Reports: 01/23/2017	Last EDR Contact: 05/24/2017
Number of Days to Update: 62	Next Scheduled EDR Contact: 09/04/2017
	Data Release Frequency: Quarterly

HWT: Registered Hazardous Waste Transporter Database

A listing of hazardous waste transporters. In California, unless specifically exempted, it is unlawful for any person to transport hazardous wastes unless the person holds a valid registration issued by DTSC. A hazardous waste transporter registration is valid for one year and is assigned a unique registration number.

Date of Government Version: 04/11/2017	Source: Department of Toxic Substances Control
Date Data Arrived at EDR: 04/13/2017	Telephone: 916-440-7145
Date Made Active in Reports: 04/26/2017	Last EDR Contact: 04/13/2017
Number of Days to Update: 13	Next Scheduled EDR Contact: 07/24/2017
	Data Release Frequency: Quarterly

MINES: Mines Site Location Listing

A listing of mine site locations from the Office of Mine Reclamation.

Date of Government Version: 09/12/2016	Source: Department of Conservation
Date Data Arrived at EDR: 09/14/2016	Telephone: 916-322-1080
Date Made Active in Reports: 10/14/2016	Last EDR Contact: 06/14/2017
Number of Days to Update: 30	Next Scheduled EDR Contact: 09/25/2017
	Data Release Frequency: Varies

MWMP: Medical Waste Management Program Listing

The Medical Waste Management Program (MWMP) ensures the proper handling and disposal of medical waste by permitting and inspecting medical waste Offsite Treatment Facilities (PDF) and Transfer Stations (PDF) throughout the state. MWMP also oversees all Medical Waste Transporters.

Date of Government Version: 12/02/2016	Source: Department of Public Health
Date Data Arrived at EDR: 12/06/2016	Telephone: 916-558-1784
Date Made Active in Reports: 03/02/2017	Last EDR Contact: 06/06/2017
Number of Days to Update: 86	Next Scheduled EDR Contact: 09/18/2017
	Data Release Frequency: Varies

NPDES: NPDES Permits Listing

A listing of NPDES permits, including stormwater.

Date of Government Version: 11/14/2016	Source: State Water Resources Control Board
Date Data Arrived at EDR: 11/15/2016	Telephone: 916-445-9379
Date Made Active in Reports: 03/02/2017	Last EDR Contact: 05/17/2017
Number of Days to Update: 107	Next Scheduled EDR Contact: 08/28/2017
	Data Release Frequency: Quarterly

PEST LIC: Pesticide Regulation Licenses Listing

A listing of licenses and certificates issued by the Department of Pesticide Regulation. The DPR issues licenses and/or certificates to: Persons and businesses that apply or sell pesticides; Pest control dealers and brokers; Persons who advise on agricultural pesticide applications.

Date of Government Version: 12/06/2016	Source: Department of Pesticide Regulation
Date Data Arrived at EDR: 12/06/2016	Telephone: 916-445-4038
Date Made Active in Reports: 03/03/2017	Last EDR Contact: 06/07/2017
Number of Days to Update: 87	Next Scheduled EDR Contact: 09/18/2017
	Data Release Frequency: Quarterly

GOVERNMENT RECORDS SEARCHED / DATA CURRENCY TRACKING

PROC: Certified Processors Database

A listing of certified processors.

Date of Government Version: 03/13/2017
Date Data Arrived at EDR: 03/14/2017
Date Made Active in Reports: 05/03/2017
Number of Days to Update: 50

Source: Department of Conservation
Telephone: 916-323-3836
Last EDR Contact: 06/14/2017
Next Scheduled EDR Contact: 09/25/2017
Data Release Frequency: Quarterly

NOTIFY 65: Proposition 65 Records

Listings of all Proposition 65 incidents reported to counties by the State Water Resources Control Board and the Regional Water Quality Control Board. This database is no longer updated by the reporting agency.

Date of Government Version: 12/16/2016
Date Data Arrived at EDR: 12/22/2016
Date Made Active in Reports: 03/02/2017
Number of Days to Update: 70

Source: State Water Resources Control Board
Telephone: 916-445-3846
Last EDR Contact: 04/03/2017
Next Scheduled EDR Contact: 07/03/2017
Data Release Frequency: No Update Planned

UIC: UIC Listing

A listing of wells identified as underground injection wells, in the California Oil and Gas Wells database.

Date of Government Version: 01/20/2017
Date Data Arrived at EDR: 03/14/2017
Date Made Active in Reports: 05/03/2017
Number of Days to Update: 50

Source: Department of Conservation
Telephone: 916-445-2408
Last EDR Contact: 06/14/2017
Next Scheduled EDR Contact: 09/25/2017
Data Release Frequency: Varies

WASTEWATER PITS: Oil Wastewater Pits Listing

Water officials discovered that oil producers have been dumping chemical-laden wastewater into hundreds of unlined pits that are operating without proper permits. Inspections completed by the Central Valley Regional Water Quality Control Board revealed the existence of previously unidentified waste sites. The water board's review found that more than one-third of the region's active disposal pits are operating without permission.

Date of Government Version: 04/15/2015
Date Data Arrived at EDR: 04/17/2015
Date Made Active in Reports: 06/23/2015
Number of Days to Update: 67

Source: RWQCB, Central Valley Region
Telephone: 559-445-5577
Last EDR Contact: 04/14/2017
Next Scheduled EDR Contact: 07/24/2017
Data Release Frequency: Varies

WDS: Waste Discharge System

Sites which have been issued waste discharge requirements.

Date of Government Version: 06/19/2007
Date Data Arrived at EDR: 06/20/2007
Date Made Active in Reports: 06/29/2007
Number of Days to Update: 9

Source: State Water Resources Control Board
Telephone: 916-341-5227
Last EDR Contact: 05/22/2017
Next Scheduled EDR Contact: 09/04/2017
Data Release Frequency: Quarterly

WIP: Well Investigation Program Case List

Well Investigation Program case in the San Gabriel and San Fernando Valley area.

Date of Government Version: 07/03/2009
Date Data Arrived at EDR: 07/21/2009
Date Made Active in Reports: 08/03/2009
Number of Days to Update: 13

Source: Los Angeles Water Quality Control Board
Telephone: 213-576-6726
Last EDR Contact: 03/24/2017
Next Scheduled EDR Contact: 07/10/2017
Data Release Frequency: Varies

GOVERNMENT RECORDS SEARCHED / DATA CURRENCY TRACKING

EDR HIGH RISK HISTORICAL RECORDS

EDR Exclusive Records

EDR MGP: EDR Proprietary Manufactured Gas Plants

The EDR Proprietary Manufactured Gas Plant Database includes records of coal gas plants (manufactured gas plants) compiled by EDR's researchers. Manufactured gas sites were used in the United States from the 1800's to 1950's to produce a gas that could be distributed and used as fuel. These plants used whale oil, rosin, coal, or a mixture of coal, oil, and water that also produced a significant amount of waste. Many of the byproducts of the gas production, such as coal tar (oily waste containing volatile and non-volatile chemicals), sludges, oils and other compounds are potentially hazardous to human health and the environment. The byproduct from this process was frequently disposed of directly at the plant site and can remain or spread slowly, serving as a continuous source of soil and groundwater contamination.

Date of Government Version: N/A
Date Data Arrived at EDR: N/A
Date Made Active in Reports: N/A
Number of Days to Update: N/A

Source: EDR, Inc.
Telephone: N/A
Last EDR Contact: N/A
Next Scheduled EDR Contact: N/A
Data Release Frequency: No Update Planned

EDR Hist Auto: EDR Exclusive Historic Gas Stations

EDR has searched selected national collections of business directories and has collected listings of potential gas station/filling station/service station sites that were available to EDR researchers. EDR's review was limited to those categories of sources that might, in EDR's opinion, include gas station/filling station/service station establishments. The categories reviewed included, but were not limited to gas, gas station, gasoline station, filling station, auto, automobile repair, auto service station, service station, etc. This database falls within a category of information EDR classifies as "High Risk Historical Records", or HRHR. EDR's HRHR effort presents unique and sometimes proprietary data about past sites and operations that typically create environmental concerns, but may not show up in current government records searches.

Date of Government Version: N/A
Date Data Arrived at EDR: N/A
Date Made Active in Reports: N/A
Number of Days to Update: N/A

Source: EDR, Inc.
Telephone: N/A
Last EDR Contact: N/A
Next Scheduled EDR Contact: N/A
Data Release Frequency: Varies

EDR Hist Cleaner: EDR Exclusive Historic Dry Cleaners

EDR has searched selected national collections of business directories and has collected listings of potential dry cleaner sites that were available to EDR researchers. EDR's review was limited to those categories of sources that might, in EDR's opinion, include dry cleaning establishments. The categories reviewed included, but were not limited to dry cleaners, cleaners, laundry, laundromat, cleaning/laundry, wash & dry etc. This database falls within a category of information EDR classifies as "High Risk Historical Records", or HRHR. EDR's HRHR effort presents unique and sometimes proprietary data about past sites and operations that typically create environmental concerns, but may not show up in current government records searches.

Date of Government Version: N/A
Date Data Arrived at EDR: N/A
Date Made Active in Reports: N/A
Number of Days to Update: N/A

Source: EDR, Inc.
Telephone: N/A
Last EDR Contact: N/A
Next Scheduled EDR Contact: N/A
Data Release Frequency: Varies

EDR RECOVERED GOVERNMENT ARCHIVES

Exclusive Recovered Govt. Archives

RGA LF: Recovered Government Archive Solid Waste Facilities List

The EDR Recovered Government Archive Landfill database provides a list of landfills derived from historical databases and includes many records that no longer appear in current government lists. Compiled from Records formerly available from the Department of Resources Recycling and Recovery in California.

GOVERNMENT RECORDS SEARCHED / DATA CURRENCY TRACKING

Date of Government Version: N/A
Date Data Arrived at EDR: 07/01/2013
Date Made Active in Reports: 01/13/2014
Number of Days to Update: 196

Source: Department of Resources Recycling and Recovery
Telephone: N/A
Last EDR Contact: 06/01/2012
Next Scheduled EDR Contact: N/A
Data Release Frequency: Varies

RGA LUST: Recovered Government Archive Leaking Underground Storage Tank

The EDR Recovered Government Archive Leaking Underground Storage Tank database provides a list of LUST incidents derived from historical databases and includes many records that no longer appear in current government lists. Compiled from Records formerly available from the State Water Resources Control Board in California.

Date of Government Version: N/A
Date Data Arrived at EDR: 07/01/2013
Date Made Active in Reports: 12/30/2013
Number of Days to Update: 182

Source: State Water Resources Control Board
Telephone: N/A
Last EDR Contact: 06/01/2012
Next Scheduled EDR Contact: N/A
Data Release Frequency: Varies

COUNTY RECORDS

ALAMEDA COUNTY:

Contaminated Sites

A listing of contaminated sites overseen by the Toxic Release Program (oil and groundwater contamination from chemical releases and spills) and the Leaking Underground Storage Tank Program (soil and ground water contamination from leaking petroleum USTs).

Date of Government Version: 04/10/2017
Date Data Arrived at EDR: 04/11/2017
Date Made Active in Reports: 05/12/2017
Number of Days to Update: 31

Source: Alameda County Environmental Health Services
Telephone: 510-567-6700
Last EDR Contact: 04/10/2017
Next Scheduled EDR Contact: 07/24/2017
Data Release Frequency: Semi-Annually

Underground Tanks

Underground storage tank sites located in Alameda county.

Date of Government Version: 04/10/2017
Date Data Arrived at EDR: 04/11/2017
Date Made Active in Reports: 05/02/2017
Number of Days to Update: 21

Source: Alameda County Environmental Health Services
Telephone: 510-567-6700
Last EDR Contact: 04/10/2017
Next Scheduled EDR Contact: 04/24/2047
Data Release Frequency: Semi-Annually

AMADOR COUNTY:

CUPA Facility List

Cupa Facility List

Date of Government Version: 03/06/2017
Date Data Arrived at EDR: 03/08/2017
Date Made Active in Reports: 04/14/2017
Number of Days to Update: 37

Source: Amador County Environmental Health
Telephone: 209-223-6439
Last EDR Contact: 06/02/2017
Next Scheduled EDR Contact: 09/18/2017
Data Release Frequency: Varies

BUTTE COUNTY:

CUPA Facility Listing

Cupa facility list.

GOVERNMENT RECORDS SEARCHED / DATA CURRENCY TRACKING

Date of Government Version: 01/31/2017
Date Data Arrived at EDR: 02/07/2017
Date Made Active in Reports: 05/12/2017
Number of Days to Update: 94

Source: Public Health Department
Telephone: 530-538-7149
Last EDR Contact: 04/10/2017
Next Scheduled EDR Contact: 07/24/2017
Data Release Frequency: No Update Planned

CALVERAS COUNTY:

CUPA Facility Listing Cupa Facility Listing

Date of Government Version: 01/09/2017
Date Data Arrived at EDR: 01/11/2017
Date Made Active in Reports: 03/02/2017
Number of Days to Update: 50

Source: Calveras County Environmental Health
Telephone: 209-754-6399
Last EDR Contact: 03/27/2017
Next Scheduled EDR Contact: 07/10/2017
Data Release Frequency: Quarterly

COLUSA COUNTY:

CUPA Facility List Cupa facility list.

Date of Government Version: 02/23/2017
Date Data Arrived at EDR: 02/24/2017
Date Made Active in Reports: 05/12/2017
Number of Days to Update: 77

Source: Health & Human Services
Telephone: 530-458-0396
Last EDR Contact: 06/02/2017
Next Scheduled EDR Contact: 08/21/2017
Data Release Frequency: Varies

CONTRA COSTA COUNTY:

Site List

List includes sites from the underground tank, hazardous waste generator and business plan/2185 programs.

Date of Government Version: 11/17/2016
Date Data Arrived at EDR: 11/22/2016
Date Made Active in Reports: 01/26/2017
Number of Days to Update: 65

Source: Contra Costa Health Services Department
Telephone: 925-646-2286
Last EDR Contact: 05/01/2017
Next Scheduled EDR Contact: 08/14/2017
Data Release Frequency: Semi-Annually

DEL NORTE COUNTY:

CUPA Facility List Cupa Facility list

Date of Government Version: 01/31/2017
Date Data Arrived at EDR: 02/03/2017
Date Made Active in Reports: 04/14/2017
Number of Days to Update: 70

Source: Del Norte County Environmental Health Division
Telephone: 707-465-0426
Last EDR Contact: 05/01/2017
Next Scheduled EDR Contact: 08/14/2017
Data Release Frequency: Varies

EL DORADO COUNTY:

CUPA Facility List CUPA facility list.

GOVERNMENT RECORDS SEARCHED / DATA CURRENCY TRACKING

Date of Government Version: 02/24/2017
Date Data Arrived at EDR: 02/28/2017
Date Made Active in Reports: 05/12/2017
Number of Days to Update: 73

Source: El Dorado County Environmental Management Department
Telephone: 530-621-6623
Last EDR Contact: 05/01/2017
Next Scheduled EDR Contact: 08/14/2017
Data Release Frequency: Varies

FRESNO COUNTY:

CUPA Resources List

Certified Unified Program Agency. CUPA's are responsible for implementing a unified hazardous materials and hazardous waste management regulatory program. The agency provides oversight of businesses that deal with hazardous materials, operate underground storage tanks or aboveground storage tanks.

Date of Government Version: 04/06/2017
Date Data Arrived at EDR: 04/07/2017
Date Made Active in Reports: 05/17/2017
Number of Days to Update: 40

Source: Dept. of Community Health
Telephone: 559-445-3271
Last EDR Contact: 03/31/2017
Next Scheduled EDR Contact: 07/17/2017
Data Release Frequency: Semi-Annually

GLENN COUNTY:

CUPA Facility List

Cupa facility list

Date of Government Version: 12/02/2016
Date Data Arrived at EDR: 02/03/2017
Date Made Active in Reports: 05/25/2017
Number of Days to Update: 111

Source: Glenn County Air Pollution Control District
Telephone: 830-934-6500
Last EDR Contact: 04/24/2017
Next Scheduled EDR Contact: 08/07/2017
Data Release Frequency: Varies

HUMBOLDT COUNTY:

CUPA Facility List

CUPA facility list.

Date of Government Version: 03/20/2017
Date Data Arrived at EDR: 03/21/2017
Date Made Active in Reports: 05/17/2017
Number of Days to Update: 57

Source: Humboldt County Environmental Health
Telephone: N/A
Last EDR Contact: 05/22/2017
Next Scheduled EDR Contact: 09/04/2017
Data Release Frequency: Varies

IMPERIAL COUNTY:

CUPA Facility List

Cupa facility list.

Date of Government Version: 01/23/2017
Date Data Arrived at EDR: 01/25/2017
Date Made Active in Reports: 03/02/2017
Number of Days to Update: 36

Source: San Diego Border Field Office
Telephone: 760-339-2777
Last EDR Contact: 04/24/2017
Next Scheduled EDR Contact: 08/07/2017
Data Release Frequency: Varies

INYO COUNTY:

GOVERNMENT RECORDS SEARCHED / DATA CURRENCY TRACKING

CUPA Facility List

Cupa facility list.

Date of Government Version: 03/09/2017
Date Data Arrived at EDR: 03/09/2017
Date Made Active in Reports: 05/25/2017
Number of Days to Update: 77

Source: Inyo County Environmental Health Services
Telephone: 760-878-0238
Last EDR Contact: 06/02/2017
Next Scheduled EDR Contact: 09/04/2017
Data Release Frequency: Varies

KERN COUNTY:

Underground Storage Tank Sites & Tank Listing Kern County Sites and Tanks Listing.

Date of Government Version: 02/07/2017
Date Data Arrived at EDR: 02/10/2017
Date Made Active in Reports: 05/02/2017
Number of Days to Update: 81

Source: Kern County Environment Health Services Department
Telephone: 661-862-8700
Last EDR Contact: 05/05/2017
Next Scheduled EDR Contact: 08/21/2017
Data Release Frequency: Quarterly

KINGS COUNTY:

CUPA Facility List

A listing of sites included in the county's Certified Unified Program Agency database. California's Secretary for Environmental Protection established the unified hazardous materials and hazardous waste regulatory program as required by chapter 6.11 of the California Health and Safety Code. The Unified Program consolidates the administration, permits, inspections, and enforcement activities.

Date of Government Version: 03/06/2017
Date Data Arrived at EDR: 03/07/2017
Date Made Active in Reports: 05/17/2017
Number of Days to Update: 71

Source: Kings County Department of Public Health
Telephone: 559-584-1411
Last EDR Contact: 05/22/2017
Next Scheduled EDR Contact: 09/04/2017
Data Release Frequency: Varies

LAKE COUNTY:

CUPA Facility List

Cupa facility list

Date of Government Version: 01/18/2017
Date Data Arrived at EDR: 01/20/2017
Date Made Active in Reports: 03/02/2017
Number of Days to Update: 41

Source: Lake County Environmental Health
Telephone: 707-263-1164
Last EDR Contact: 04/17/2017
Next Scheduled EDR Contact: 07/31/2017
Data Release Frequency: Varies

LASSEN COUNTY:

CUPA Facility List

Cupa facility list

Date of Government Version: 11/30/2016
Date Data Arrived at EDR: 02/03/2017
Date Made Active in Reports: 05/25/2017
Number of Days to Update: 111

Source: Lassen County Environmental Health
Telephone: 530-251-8528
Last EDR Contact: 11/30/2017
Next Scheduled EDR Contact: 08/07/2017
Data Release Frequency: Varies

LOS ANGELES COUNTY:

GOVERNMENT RECORDS SEARCHED / DATA CURRENCY TRACKING

San Gabriel Valley Areas of Concern

San Gabriel Valley areas where VOC contamination is at or above the MCL as designated by region 9 EPA office.

Date of Government Version: 03/30/2009
Date Data Arrived at EDR: 03/31/2009
Date Made Active in Reports: 10/23/2009
Number of Days to Update: 206

Source: EPA Region 9
Telephone: 415-972-3178
Last EDR Contact: 03/20/2017
Next Scheduled EDR Contact: 07/03/2017
Data Release Frequency: No Update Planned

HMS: Street Number List

Industrial Waste and Underground Storage Tank Sites.

Date of Government Version: 11/14/2016
Date Data Arrived at EDR: 11/18/2016
Date Made Active in Reports: 01/23/2017
Number of Days to Update: 66

Source: Department of Public Works
Telephone: 626-458-3517
Last EDR Contact: 04/10/2017
Next Scheduled EDR Contact: 07/24/2017
Data Release Frequency: Semi-Annually

List of Solid Waste Facilities

Solid Waste Facilities in Los Angeles County.

Date of Government Version: 04/17/2017
Date Data Arrived at EDR: 04/18/2017
Date Made Active in Reports: 05/02/2017
Number of Days to Update: 14

Source: La County Department of Public Works
Telephone: 818-458-5185
Last EDR Contact: 04/18/2017
Next Scheduled EDR Contact: 07/31/2017
Data Release Frequency: Varies

City of Los Angeles Landfills

Landfills owned and maintained by the City of Los Angeles.

Date of Government Version: 01/01/2016
Date Data Arrived at EDR: 01/26/2016
Date Made Active in Reports: 03/22/2016
Number of Days to Update: 56

Source: Engineering & Construction Division
Telephone: 213-473-7869
Last EDR Contact: 04/17/2017
Next Scheduled EDR Contact: 07/31/2017
Data Release Frequency: Varies

Site Mitigation List

Industrial sites that have had some sort of spill or complaint.

Date of Government Version: 03/29/2016
Date Data Arrived at EDR: 04/06/2016
Date Made Active in Reports: 06/13/2016
Number of Days to Update: 68

Source: Community Health Services
Telephone: 323-890-7806
Last EDR Contact: 04/17/2017
Next Scheduled EDR Contact: 07/31/2017
Data Release Frequency: Annually

City of El Segundo Underground Storage Tank

Underground storage tank sites located in El Segundo city.

Date of Government Version: 01/17/2017
Date Data Arrived at EDR: 01/18/2017
Date Made Active in Reports: 05/10/2017
Number of Days to Update: 112

Source: City of El Segundo Fire Department
Telephone: 310-524-2236
Last EDR Contact: 04/17/2017
Next Scheduled EDR Contact: 07/31/2017
Data Release Frequency: Semi-Annually

City of Long Beach Underground Storage Tank

Underground storage tank sites located in the city of Long Beach.

Date of Government Version: 03/09/2017
Date Data Arrived at EDR: 03/10/2017
Date Made Active in Reports: 05/03/2017
Number of Days to Update: 54

Source: City of Long Beach Fire Department
Telephone: 562-570-2563
Last EDR Contact: 04/24/2017
Next Scheduled EDR Contact: 08/07/2017
Data Release Frequency: Annually

GOVERNMENT RECORDS SEARCHED / DATA CURRENCY TRACKING

City of Torrance Underground Storage Tank

Underground storage tank sites located in the city of Torrance.

Date of Government Version: 01/10/2017
Date Data Arrived at EDR: 01/13/2017
Date Made Active in Reports: 05/03/2017
Number of Days to Update: 110

Source: City of Torrance Fire Department
Telephone: 310-618-2973
Last EDR Contact: 04/10/2017
Next Scheduled EDR Contact: 07/24/2017
Data Release Frequency: Semi-Annually

MADERA COUNTY:

CUPA Facility List

A listing of sites included in the county's Certified Unified Program Agency database. California's Secretary for Environmental Protection established the unified hazardous materials and hazardous waste regulatory program as required by chapter 6.11 of the California Health and Safety Code. The Unified Program consolidates the administration, permits, inspections, and enforcement activities.

Date of Government Version: 03/03/2017
Date Data Arrived at EDR: 03/07/2017
Date Made Active in Reports: 05/17/2017
Number of Days to Update: 71

Source: Madera County Environmental Health
Telephone: 559-675-7823
Last EDR Contact: 05/22/2017
Next Scheduled EDR Contact: 09/04/2017
Data Release Frequency: Varies

MARIN COUNTY:

Underground Storage Tank Sites

Currently permitted USTs in Marin County.

Date of Government Version: 03/31/2017
Date Data Arrived at EDR: 04/06/2017
Date Made Active in Reports: 05/03/2017
Number of Days to Update: 27

Source: Public Works Department Waste Management
Telephone: 415-499-6647
Last EDR Contact: 03/31/2017
Next Scheduled EDR Contact: 07/17/2017
Data Release Frequency: Semi-Annually

MERCED COUNTY:

CUPA Facility List

CUPA facility list.

Date of Government Version: 02/22/2017
Date Data Arrived at EDR: 02/23/2017
Date Made Active in Reports: 05/17/2017
Number of Days to Update: 83

Source: Merced County Environmental Health
Telephone: 209-381-1094
Last EDR Contact: 06/02/2017
Next Scheduled EDR Contact: 09/04/2017
Data Release Frequency: Varies

MONO COUNTY:

CUPA Facility List

CUPA Facility List

Date of Government Version: 02/21/2017
Date Data Arrived at EDR: 03/02/2017
Date Made Active in Reports: 05/17/2017
Number of Days to Update: 76

Source: Mono County Health Department
Telephone: 760-932-5580
Last EDR Contact: 05/24/2017
Next Scheduled EDR Contact: 09/11/2017
Data Release Frequency: Varies

MONTEREY COUNTY:

GOVERNMENT RECORDS SEARCHED / DATA CURRENCY TRACKING

CUPA Facility Listing

CUPA Program listing from the Environmental Health Division.

Date of Government Version: 06/24/2016
Date Data Arrived at EDR: 06/27/2016
Date Made Active in Reports: 08/09/2016
Number of Days to Update: 43

Source: Monterey County Health Department
Telephone: 831-796-1297
Last EDR Contact: 05/22/2017
Next Scheduled EDR Contact: 09/04/2017
Data Release Frequency: Varies

NAPA COUNTY:

Sites With Reported Contamination

A listing of leaking underground storage tank sites located in Napa county.

Date of Government Version: 01/09/2017
Date Data Arrived at EDR: 01/11/2017
Date Made Active in Reports: 03/02/2017
Number of Days to Update: 50

Source: Napa County Department of Environmental Management
Telephone: 707-253-4269
Last EDR Contact: 05/24/2017
Next Scheduled EDR Contact: 09/11/2017
Data Release Frequency: No Update Planned

Closed and Operating Underground Storage Tank Sites

Underground storage tank sites located in Napa county.

Date of Government Version: 03/15/2017
Date Data Arrived at EDR: 03/16/2017
Date Made Active in Reports: 05/09/2017
Number of Days to Update: 54

Source: Napa County Department of Environmental Management
Telephone: 707-253-4269
Last EDR Contact: 05/24/2017
Next Scheduled EDR Contact: 09/11/2017
Data Release Frequency: No Update Planned

NEVADA COUNTY:

CUPA Facility List

CUPA facility list.

Date of Government Version: 02/09/2017
Date Data Arrived at EDR: 02/10/2017
Date Made Active in Reports: 05/17/2017
Number of Days to Update: 96

Source: Community Development Agency
Telephone: 530-265-1467
Last EDR Contact: 05/01/2017
Next Scheduled EDR Contact: 08/14/2017
Data Release Frequency: Varies

ORANGE COUNTY:

List of Industrial Site Cleanups

Petroleum and non-petroleum spills.

Date of Government Version: 02/06/2017
Date Data Arrived at EDR: 02/10/2017
Date Made Active in Reports: 04/21/2017
Number of Days to Update: 70

Source: Health Care Agency
Telephone: 714-834-3446
Last EDR Contact: 05/08/2017
Next Scheduled EDR Contact: 08/21/2017
Data Release Frequency: Annually

List of Underground Storage Tank Cleanups

Orange County Underground Storage Tank Cleanups (LUST).

Date of Government Version: 11/04/2016
Date Data Arrived at EDR: 11/11/2016
Date Made Active in Reports: 01/23/2017
Number of Days to Update: 73

Source: Health Care Agency
Telephone: 714-834-3446
Last EDR Contact: 05/08/2017
Next Scheduled EDR Contact: 08/21/2017
Data Release Frequency: Quarterly

GOVERNMENT RECORDS SEARCHED / DATA CURRENCY TRACKING

List of Underground Storage Tank Facilities

Orange County Underground Storage Tank Facilities (UST).

Date of Government Version: 02/06/2017	Source: Health Care Agency
Date Data Arrived at EDR: 02/07/2017	Telephone: 714-834-3446
Date Made Active in Reports: 05/03/2017	Last EDR Contact: 05/09/2017
Number of Days to Update: 85	Next Scheduled EDR Contact: 08/21/2017
	Data Release Frequency: Quarterly

PLACER COUNTY:

Master List of Facilities

List includes aboveground tanks, underground tanks and cleanup sites.

Date of Government Version: 09/02/2016	Source: Placer County Health and Human Services
Date Data Arrived at EDR: 09/06/2016	Telephone: 530-745-2363
Date Made Active in Reports: 10/14/2016	Last EDR Contact: 06/02/2017
Number of Days to Update: 38	Next Scheduled EDR Contact: 09/18/2017
	Data Release Frequency: Semi-Annually

PLUMAS COUNTY:

CUPA Facility List

Plumas County CUPA Program facilities.

Date of Government Version: 01/31/2017	Source: Plumas County Environmental Health
Date Data Arrived at EDR: 02/03/2017	Telephone: 530-283-6355
Date Made Active in Reports: 05/25/2017	Last EDR Contact: 06/02/2017
Number of Days to Update: 111	Next Scheduled EDR Contact: 08/07/2017
	Data Release Frequency: Varies

RIVERSIDE COUNTY:

Listing of Underground Tank Cleanup Sites

Riverside County Underground Storage Tank Cleanup Sites (LUST).

Date of Government Version: 04/18/2017	Source: Department of Environmental Health
Date Data Arrived at EDR: 04/20/2017	Telephone: 951-358-5055
Date Made Active in Reports: 04/21/2017	Last EDR Contact: 03/20/2017
Number of Days to Update: 1	Next Scheduled EDR Contact: 07/03/2017
	Data Release Frequency: Quarterly

Underground Storage Tank Tank List

Underground storage tank sites located in Riverside county.

Date of Government Version: 01/19/2017	Source: Department of Environmental Health
Date Data Arrived at EDR: 01/25/2017	Telephone: 951-358-5055
Date Made Active in Reports: 05/03/2017	Last EDR Contact: 03/20/2017
Number of Days to Update: 98	Next Scheduled EDR Contact: 07/03/2017
	Data Release Frequency: Quarterly

SACRAMENTO COUNTY:

Toxic Site Clean-Up List

List of sites where unauthorized releases of potentially hazardous materials have occurred.

GOVERNMENT RECORDS SEARCHED / DATA CURRENCY TRACKING

Date of Government Version: 11/07/2016
Date Data Arrived at EDR: 01/05/2017
Date Made Active in Reports: 03/02/2017
Number of Days to Update: 56

Source: Sacramento County Environmental Management
Telephone: 916-875-8406
Last EDR Contact: 04/04/2017
Next Scheduled EDR Contact: 07/17/2017
Data Release Frequency: Quarterly

Master Hazardous Materials Facility List

Any business that has hazardous materials on site - hazardous material storage sites, underground storage tanks, waste generators.

Date of Government Version: 11/08/2016
Date Data Arrived at EDR: 01/05/2017
Date Made Active in Reports: 03/02/2017
Number of Days to Update: 56

Source: Sacramento County Environmental Management
Telephone: 916-875-8406
Last EDR Contact: 04/04/2017
Next Scheduled EDR Contact: 07/17/2017
Data Release Frequency: Quarterly

SAN BENITO COUNTY:

CUPA Facility List

Cupa facility list

Date of Government Version: 11/30/2016
Date Data Arrived at EDR: 02/09/2017
Date Made Active in Reports: 05/25/2017
Number of Days to Update: 105

Source: San Benito County Environmental Health
Telephone: N/A
Last EDR Contact: 05/05/2017
Next Scheduled EDR Contact: 08/21/2017
Data Release Frequency: Varies

SAN BERNARDINO COUNTY:

Hazardous Material Permits

This listing includes underground storage tanks, medical waste handlers/generators, hazardous materials handlers, hazardous waste generators, and waste oil generators/handlers.

Date of Government Version: 12/09/2016
Date Data Arrived at EDR: 12/13/2016
Date Made Active in Reports: 03/03/2017
Number of Days to Update: 80

Source: San Bernardino County Fire Department Hazardous Materials Division
Telephone: 909-387-3041
Last EDR Contact: 05/08/2017
Next Scheduled EDR Contact: 08/21/2017
Data Release Frequency: Quarterly

SAN DIEGO COUNTY:

Hazardous Materials Management Division Database

The database includes: HE58 - This report contains the business name, site address, business phone number, establishment 'H' permit number, type of permit, and the business status. HE17 - In addition to providing the same information provided in the HE58 listing, HE17 provides inspection dates, violations received by the establishment, hazardous waste generated, the quantity, method of storage, treatment/disposal of waste and the hauler, and information on underground storage tanks. Unauthorized Release List - Includes a summary of environmental contamination cases in San Diego County (underground tank cases, non-tank cases, groundwater contamination, and soil contamination are included.)

Date of Government Version: 10/05/2016
Date Data Arrived at EDR: 12/06/2016
Date Made Active in Reports: 03/02/2017
Number of Days to Update: 86

Source: Hazardous Materials Management Division
Telephone: 619-338-2268
Last EDR Contact: 06/07/2017
Next Scheduled EDR Contact: 09/18/2017
Data Release Frequency: Quarterly

GOVERNMENT RECORDS SEARCHED / DATA CURRENCY TRACKING

Solid Waste Facilities

San Diego County Solid Waste Facilities.

Date of Government Version: 10/31/2015
Date Data Arrived at EDR: 11/07/2015
Date Made Active in Reports: 01/04/2016
Number of Days to Update: 58

Source: Department of Health Services
Telephone: 619-338-2209
Last EDR Contact: 04/24/2017
Next Scheduled EDR Contact: 08/07/2017
Data Release Frequency: Varies

Environmental Case Listing

The listing contains all underground tank release cases and projects pertaining to properties contaminated with hazardous substances that are actively under review by the Site Assessment and Mitigation Program.

Date of Government Version: 03/23/2010
Date Data Arrived at EDR: 06/15/2010
Date Made Active in Reports: 07/09/2010
Number of Days to Update: 24

Source: San Diego County Department of Environmental Health
Telephone: 619-338-2371
Last EDR Contact: 06/05/2017
Next Scheduled EDR Contact: 09/18/2017
Data Release Frequency: No Update Planned

SAN FRANCISCO COUNTY:

Local Oversight Facilities

A listing of leaking underground storage tank sites located in San Francisco county.

Date of Government Version: 09/19/2008
Date Data Arrived at EDR: 09/19/2008
Date Made Active in Reports: 09/29/2008
Number of Days to Update: 10

Source: Department Of Public Health San Francisco County
Telephone: 415-252-3920
Last EDR Contact: 05/05/2017
Next Scheduled EDR Contact: 08/21/2017
Data Release Frequency: Quarterly

Underground Storage Tank Information

Underground storage tank sites located in San Francisco county.

Date of Government Version: 02/28/2017
Date Data Arrived at EDR: 03/02/2017
Date Made Active in Reports: 05/03/2017
Number of Days to Update: 62

Source: Department of Public Health
Telephone: 415-252-3920
Last EDR Contact: 05/05/2017
Next Scheduled EDR Contact: 08/21/2017
Data Release Frequency: Quarterly

SAN JOAQUIN COUNTY:

San Joaquin Co. UST

A listing of underground storage tank locations in San Joaquin county.

Date of Government Version: 03/21/2017
Date Data Arrived at EDR: 03/23/2017
Date Made Active in Reports: 05/09/2017
Number of Days to Update: 47

Source: Environmental Health Department
Telephone: N/A
Last EDR Contact: 03/20/2017
Next Scheduled EDR Contact: 07/03/2017
Data Release Frequency: Semi-Annually

SAN LUIS OBISPO COUNTY:

CUPA Facility List

Cupa Facility List.

Date of Government Version: 02/21/2017
Date Data Arrived at EDR: 02/21/2017
Date Made Active in Reports: 05/23/2017
Number of Days to Update: 91

Source: San Luis Obispo County Public Health Department
Telephone: 805-781-5596
Last EDR Contact: 06/02/2017
Next Scheduled EDR Contact: 09/04/2017
Data Release Frequency: Varies

SAN MATEO COUNTY:

GOVERNMENT RECORDS SEARCHED / DATA CURRENCY TRACKING

Business Inventory

List includes Hazardous Materials Business Plan, hazardous waste generators, and underground storage tanks.

Date of Government Version: 03/15/2017
Date Data Arrived at EDR: 04/07/2017
Date Made Active in Reports: 05/10/2017
Number of Days to Update: 33

Source: San Mateo County Environmental Health Services Division
Telephone: 650-363-1921
Last EDR Contact: 06/09/2017
Next Scheduled EDR Contact: 09/25/2017
Data Release Frequency: Annually

Fuel Leak List

A listing of leaking underground storage tank sites located in San Mateo county.

Date of Government Version: 03/15/2017
Date Data Arrived at EDR: 04/07/2017
Date Made Active in Reports: 04/21/2017
Number of Days to Update: 14

Source: San Mateo County Environmental Health Services Division
Telephone: 650-363-1921
Last EDR Contact: 06/09/2017
Next Scheduled EDR Contact: 09/25/2017
Data Release Frequency: Semi-Annually

SANTA BARBARA COUNTY:

CUPA Facility Listing

CUPA Program Listing from the Environmental Health Services division.

Date of Government Version: 09/08/2011
Date Data Arrived at EDR: 09/09/2011
Date Made Active in Reports: 10/07/2011
Number of Days to Update: 28

Source: Santa Barbara County Public Health Department
Telephone: 805-686-8167
Last EDR Contact: 05/22/2017
Next Scheduled EDR Contact: 09/04/2017
Data Release Frequency: Varies

SANTA CLARA COUNTY:

Cupa Facility List

Cupa facility list

Date of Government Version: 02/22/2017
Date Data Arrived at EDR: 02/23/2017
Date Made Active in Reports: 05/23/2017
Number of Days to Update: 89

Source: Department of Environmental Health
Telephone: 408-918-1973
Last EDR Contact: 05/22/2017
Next Scheduled EDR Contact: 09/04/2017
Data Release Frequency: Varies

HIST LUST - Fuel Leak Site Activity Report

A listing of open and closed leaking underground storage tanks. This listing is no longer updated by the county. Leaking underground storage tanks are now handled by the Department of Environmental Health.

Date of Government Version: 03/29/2005
Date Data Arrived at EDR: 03/30/2005
Date Made Active in Reports: 04/21/2005
Number of Days to Update: 22

Source: Santa Clara Valley Water District
Telephone: 408-265-2600
Last EDR Contact: 03/23/2009
Next Scheduled EDR Contact: 06/22/2009
Data Release Frequency: No Update Planned

LOP Listing

A listing of leaking underground storage tanks located in Santa Clara county.

Date of Government Version: 03/03/2014
Date Data Arrived at EDR: 03/05/2014
Date Made Active in Reports: 03/18/2014
Number of Days to Update: 13

Source: Department of Environmental Health
Telephone: 408-918-3417
Last EDR Contact: 05/24/2017
Next Scheduled EDR Contact: 09/11/2017
Data Release Frequency: Annually

GOVERNMENT RECORDS SEARCHED / DATA CURRENCY TRACKING

Hazardous Material Facilities

Hazardous material facilities, including underground storage tank sites.

Date of Government Version: 11/07/2016
Date Data Arrived at EDR: 11/10/2016
Date Made Active in Reports: 01/24/2017
Number of Days to Update: 75

Source: City of San Jose Fire Department
Telephone: 408-535-7694
Last EDR Contact: 05/05/2017
Next Scheduled EDR Contact: 08/21/2017
Data Release Frequency: Annually

SANTA CRUZ COUNTY:

CUPA Facility List

CUPA facility listing.

Date of Government Version: 01/21/2017
Date Data Arrived at EDR: 02/22/2017
Date Made Active in Reports: 05/23/2017
Number of Days to Update: 90

Source: Santa Cruz County Environmental Health
Telephone: 831-464-2761
Last EDR Contact: 05/22/2017
Next Scheduled EDR Contact: 09/04/2017
Data Release Frequency: Varies

SHASTA COUNTY:

CUPA Facility List

Cupa Facility List.

Date of Government Version: 03/14/2017
Date Data Arrived at EDR: 03/17/2017
Date Made Active in Reports: 05/23/2017
Number of Days to Update: 67

Source: Shasta County Department of Resource Management
Telephone: 530-225-5789
Last EDR Contact: 05/22/2017
Next Scheduled EDR Contact: 09/04/2017
Data Release Frequency: Varies

SOLANO COUNTY:

Leaking Underground Storage Tanks

A listing of leaking underground storage tank sites located in Solano county.

Date of Government Version: 11/29/2016
Date Data Arrived at EDR: 12/21/2016
Date Made Active in Reports: 12/22/2016
Number of Days to Update: 1

Source: Solano County Department of Environmental Management
Telephone: 707-784-6770
Last EDR Contact: 06/09/2017
Next Scheduled EDR Contact: 09/25/2017
Data Release Frequency: Quarterly

Underground Storage Tanks

Underground storage tank sites located in Solano county.

Date of Government Version: 03/15/2017
Date Data Arrived at EDR: 03/17/2017
Date Made Active in Reports: 05/03/2017
Number of Days to Update: 47

Source: Solano County Department of Environmental Management
Telephone: 707-784-6770
Last EDR Contact: 06/09/2017
Next Scheduled EDR Contact: 09/25/2017
Data Release Frequency: Quarterly

SONOMA COUNTY:

Cupa Facility List

Cupa Facility list

GOVERNMENT RECORDS SEARCHED / DATA CURRENCY TRACKING

Date of Government Version: 03/01/2017
Date Data Arrived at EDR: 03/30/2017
Date Made Active in Reports: 05/23/2017
Number of Days to Update: 54

Source: County of Sonoma Fire & Emergency Services Department
Telephone: 707-565-1174
Last EDR Contact: 03/27/2017
Next Scheduled EDR Contact: 07/10/2017
Data Release Frequency: Varies

Leaking Underground Storage Tank Sites

A listing of leaking underground storage tank sites located in Sonoma county.

Date of Government Version: 01/04/2017
Date Data Arrived at EDR: 01/06/2017
Date Made Active in Reports: 03/02/2017
Number of Days to Update: 55

Source: Department of Health Services
Telephone: 707-565-6565
Last EDR Contact: 03/27/2017
Next Scheduled EDR Contact: 07/10/2017
Data Release Frequency: Quarterly

STANISLAUS COUNTY:

CUPA Facility List

Cupa facility list

Date of Government Version: 01/20/2017
Date Data Arrived at EDR: 01/24/2017
Date Made Active in Reports: 05/18/2017
Number of Days to Update: 114

Source: Stanislaus County Department of Environmental Protection
Telephone: 209-525-6751
Last EDR Contact: 11/30/2017
Next Scheduled EDR Contact: 07/31/2017
Data Release Frequency: Varies

SUTTER COUNTY:

Underground Storage Tanks

Underground storage tank sites located in Sutter county.

Date of Government Version: 12/02/2016
Date Data Arrived at EDR: 12/06/2016
Date Made Active in Reports: 01/10/2017
Number of Days to Update: 35

Source: Sutter County Department of Agriculture
Telephone: 530-822-7500
Last EDR Contact: 06/02/2017
Next Scheduled EDR Contact: 09/18/2017
Data Release Frequency: Semi-Annually

TEHAMA COUNTY:

CUPA Facility List

Cupa facilities

Date of Government Version: 01/05/2017
Date Data Arrived at EDR: 02/10/2017
Date Made Active in Reports: 05/25/2017
Number of Days to Update: 104

Source: Tehama County Department of Environmental Health
Telephone: 530-527-8020
Last EDR Contact: 05/05/2017
Next Scheduled EDR Contact: 08/21/2017
Data Release Frequency: Varies

TRINITY COUNTY:

CUPA Facility List

Cupa facility list

Date of Government Version: 01/23/2017
Date Data Arrived at EDR: 01/25/2017
Date Made Active in Reports: 05/18/2017
Number of Days to Update: 113

Source: Department of Toxic Substances Control
Telephone: 760-352-0381
Last EDR Contact: 04/24/2017
Next Scheduled EDR Contact: 08/07/2017
Data Release Frequency: Varies

TULARE COUNTY:

GOVERNMENT RECORDS SEARCHED / DATA CURRENCY TRACKING

CUPA Facility List

Cupa program facilities

Date of Government Version: 01/05/2017
Date Data Arrived at EDR: 02/10/2017
Date Made Active in Reports: 05/25/2017
Number of Days to Update: 104

Source: Tulare County Environmental Health Services Division
Telephone: 559-624-7400
Last EDR Contact: 06/02/2017
Next Scheduled EDR Contact: 08/21/2017
Data Release Frequency: Varies

TUOLUMNE COUNTY:

CUPA Facility List

Cupa facility list

Date of Government Version: 01/25/2017
Date Data Arrived at EDR: 01/27/2017
Date Made Active in Reports: 03/02/2017
Number of Days to Update: 34

Source: Divison of Environmental Health
Telephone: 209-533-5633
Last EDR Contact: 04/24/2017
Next Scheduled EDR Contact: 08/07/2017
Data Release Frequency: Varies

VENTURA COUNTY:

Business Plan, Hazardous Waste Producers, and Operating Underground Tanks

The BWT list indicates by site address whether the Environmental Health Division has Business Plan (B), Waste Producer (W), and/or Underground Tank (T) information.

Date of Government Version: 12/27/2016
Date Data Arrived at EDR: 01/27/2017
Date Made Active in Reports: 05/10/2017
Number of Days to Update: 103

Source: Ventura County Environmental Health Division
Telephone: 805-654-2813
Last EDR Contact: 04/24/2017
Next Scheduled EDR Contact: 08/07/2017
Data Release Frequency: Quarterly

Inventory of Illegal Abandoned and Inactive Sites

Ventura County Inventory of Closed, Illegal Abandoned, and Inactive Sites.

Date of Government Version: 12/01/2011
Date Data Arrived at EDR: 12/01/2011
Date Made Active in Reports: 01/19/2012
Number of Days to Update: 49

Source: Environmental Health Division
Telephone: 805-654-2813
Last EDR Contact: 03/31/2017
Next Scheduled EDR Contact: 07/17/2017
Data Release Frequency: Annually

Listing of Underground Tank Cleanup Sites

Ventura County Underground Storage Tank Cleanup Sites (LUST).

Date of Government Version: 05/29/2008
Date Data Arrived at EDR: 06/24/2008
Date Made Active in Reports: 07/31/2008
Number of Days to Update: 37

Source: Environmental Health Division
Telephone: 805-654-2813
Last EDR Contact: 05/15/2017
Next Scheduled EDR Contact: 08/28/2017
Data Release Frequency: Quarterly

Medical Waste Program List

To protect public health and safety and the environment from potential exposure to disease causing agents, the Environmental Health Division Medical Waste Program regulates the generation, handling, storage, treatment and disposal of medical waste throughout the County.

Date of Government Version: 09/26/2016
Date Data Arrived at EDR: 10/27/2016
Date Made Active in Reports: 01/24/2017
Number of Days to Update: 89

Source: Ventura County Resource Management Agency
Telephone: 805-654-2813
Last EDR Contact: 04/24/2017
Next Scheduled EDR Contact: 08/07/2017
Data Release Frequency: Quarterly

GOVERNMENT RECORDS SEARCHED / DATA CURRENCY TRACKING

Underground Tank Closed Sites List

Ventura County Operating Underground Storage Tank Sites (UST)/Underground Tank Closed Sites List.

Date of Government Version: 02/27/2017	Source: Environmental Health Division
Date Data Arrived at EDR: 03/15/2017	Telephone: 805-654-2813
Date Made Active in Reports: 05/03/2017	Last EDR Contact: 06/14/2017
Number of Days to Update: 49	Next Scheduled EDR Contact: 09/25/2017
	Data Release Frequency: Quarterly

YOLO COUNTY:

Underground Storage Tank Comprehensive Facility Report

Underground storage tank sites located in Yolo county.

Date of Government Version: 03/31/2017	Source: Yolo County Department of Health
Date Data Arrived at EDR: 04/06/2017	Telephone: 530-666-8646
Date Made Active in Reports: 05/03/2017	Last EDR Contact: 03/31/2017
Number of Days to Update: 27	Next Scheduled EDR Contact: 07/17/2017
	Data Release Frequency: Annually

YUBA COUNTY:

CUPA Facility List

CUPA facility listing for Yuba County.

Date of Government Version: 01/30/2017	Source: Yuba County Environmental Health Department
Date Data Arrived at EDR: 01/31/2017	Telephone: 530-749-7523
Date Made Active in Reports: 05/23/2017	Last EDR Contact: 05/01/2017
Number of Days to Update: 112	Next Scheduled EDR Contact: 08/14/2017
	Data Release Frequency: Varies

OTHER DATABASE(S)

Depending on the geographic area covered by this report, the data provided in these specialty databases may or may not be complete. For example, the existence of wetlands information data in a specific report does not mean that all wetlands in the area covered by the report are included. Moreover, the absence of any reported wetlands information does not necessarily mean that wetlands do not exist in the area covered by the report.

CT MANIFEST: Hazardous Waste Manifest Data

Facility and manifest data. Manifest is a document that lists and tracks hazardous waste from the generator through transporters to a tsd facility.

Date of Government Version: 07/30/2013	Source: Department of Energy & Environmental Protection
Date Data Arrived at EDR: 08/19/2013	Telephone: 860-424-3375
Date Made Active in Reports: 10/03/2013	Last EDR Contact: 05/15/2017
Number of Days to Update: 45	Next Scheduled EDR Contact: 08/28/2017
	Data Release Frequency: No Update Planned

NJ MANIFEST: Manifest Information

Hazardous waste manifest information.

Date of Government Version: 12/31/2015	Source: Department of Environmental Protection
Date Data Arrived at EDR: 09/29/2016	Telephone: N/A
Date Made Active in Reports: 01/03/2017	Last EDR Contact: 04/11/2017
Number of Days to Update: 96	Next Scheduled EDR Contact: 07/24/2017
	Data Release Frequency: Annually

GOVERNMENT RECORDS SEARCHED / DATA CURRENCY TRACKING

NY MANIFEST: Facility and Manifest Data

Manifest is a document that lists and tracks hazardous waste from the generator through transporters to a TSD facility.

Date of Government Version: 01/30/2017
Date Data Arrived at EDR: 02/01/2017
Date Made Active in Reports: 02/13/2017
Number of Days to Update: 12

Source: Department of Environmental Conservation
Telephone: 518-402-8651
Last EDR Contact: 05/03/2017
Next Scheduled EDR Contact: 08/14/2017
Data Release Frequency: Annually

PA MANIFEST: Manifest Information

Hazardous waste manifest information.

Date of Government Version: 12/31/2015
Date Data Arrived at EDR: 07/22/2016
Date Made Active in Reports: 11/22/2016
Number of Days to Update: 123

Source: Department of Environmental Protection
Telephone: 717-783-8990
Last EDR Contact: 04/18/2017
Next Scheduled EDR Contact: 07/31/2017
Data Release Frequency: Annually

RI MANIFEST: Manifest information

Hazardous waste manifest information

Date of Government Version: 12/31/2013
Date Data Arrived at EDR: 06/19/2015
Date Made Active in Reports: 07/15/2015
Number of Days to Update: 26

Source: Department of Environmental Management
Telephone: 401-222-2797
Last EDR Contact: 05/22/2017
Next Scheduled EDR Contact: 09/04/2017
Data Release Frequency: Annually

WI MANIFEST: Manifest Information

Hazardous waste manifest information.

Date of Government Version: 12/31/2015
Date Data Arrived at EDR: 04/14/2016
Date Made Active in Reports: 06/03/2016
Number of Days to Update: 50

Source: Department of Natural Resources
Telephone: N/A
Last EDR Contact: 06/12/2017
Next Scheduled EDR Contact: 09/25/2017
Data Release Frequency: Annually

Oil/Gas Pipelines

Source: PennWell Corporation

Petroleum Bundle (Crude Oil, Refined Products, Petrochemicals, Gas Liquids (LPG/NGL), and Specialty Gases (Miscellaneous)) N = Natural Gas Bundle (Natural Gas, Gas Liquids (LPG/NGL), and Specialty Gases (Miscellaneous)). This map includes information copyrighted by PennWell Corporation. This information is provided on a best effort basis and PennWell Corporation does not guarantee its accuracy nor warrant its fitness for any particular purpose. Such information has been reprinted with the permission of PennWell.

Electric Power Transmission Line Data

Source: PennWell Corporation

This map includes information copyrighted by PennWell Corporation. This information is provided on a best effort basis and PennWell Corporation does not guarantee its accuracy nor warrant its fitness for any particular purpose. Such information has been reprinted with the permission of PennWell.

Sensitive Receptors: There are individuals deemed sensitive receptors due to their fragile immune systems and special sensitivity to environmental discharges. These sensitive receptors typically include the elderly, the sick, and children. While the location of all sensitive receptors cannot be determined, EDR indicates those buildings and facilities - schools, daycares, hospitals, medical centers, and nursing homes - where individuals who are sensitive receptors are likely to be located.

AHA Hospitals:

Source: American Hospital Association, Inc.
Telephone: 312-280-5991

The database includes a listing of hospitals based on the American Hospital Association's annual survey of hospitals.

Medical Centers: Provider of Services Listing

Source: Centers for Medicare & Medicaid Services
Telephone: 410-786-3000

A listing of hospitals with Medicare provider number, produced by Centers of Medicare & Medicaid Services, a federal agency within the U.S. Department of Health and Human Services.

GOVERNMENT RECORDS SEARCHED / DATA CURRENCY TRACKING

Nursing Homes

Source: National Institutes of Health

Telephone: 301-594-6248

Information on Medicare and Medicaid certified nursing homes in the United States.

Public Schools

Source: National Center for Education Statistics

Telephone: 202-502-7300

The National Center for Education Statistics' primary database on elementary and secondary public education in the United States. It is a comprehensive, annual, national statistical database of all public elementary and secondary schools and school districts, which contains data that are comparable across all states.

Private Schools

Source: National Center for Education Statistics

Telephone: 202-502-7300

The National Center for Education Statistics' primary database on private school locations in the United States.

Daycare Centers: Licensed Facilities

Source: Department of Social Services

Telephone: 916-657-4041

Flood Zone Data: This data was obtained from the Federal Emergency Management Agency (FEMA). It depicts 100-year and 500-year flood zones as defined by FEMA. It includes the National Flood Hazard Layer (NFHL) which incorporates Flood Insurance Rate Map (FIRM) data and Q3 data from FEMA in areas not covered by NFHL.

Source: FEMA

Telephone: 877-336-2627

Date of Government Version: 2003, 2015

NWI: National Wetlands Inventory. This data, available in select counties across the country, was obtained by EDR in 2002, 2005 and 2010 from the U.S. Fish and Wildlife Service.

State Wetlands Data: Wetland Inventory

Source: Department of Fish & Game

Telephone: 916-445-0411

Current USGS 7.5 Minute Topographic Map

Source: U.S. Geological Survey

STREET AND ADDRESS INFORMATION

© 2015 TomTom North America, Inc. All rights reserved. This material is proprietary and the subject of copyright protection and other intellectual property rights owned by or licensed to Tele Atlas North America, Inc. The use of this material is subject to the terms of a license agreement. You will be held liable for any unauthorized copying or disclosure of this material.

GEOCHECK[®] - PHYSICAL SETTING SOURCE ADDENDUM

TARGET PROPERTY ADDRESS

EL DORADO HILLS ESA
1000-1098 SARATOGA WAY
EL DORADO HILLS, CA 95762

TARGET PROPERTY COORDINATES

Latitude (North):	38.654719 - 38° 39' 16.99"
Longitude (West):	121.071973 - 121° 4' 19.10"
Universal Tranverse Mercator:	Zone 10
UTM X (Meters):	667770.9
UTM Y (Meters):	4280018.0
Elevation:	649 ft. above sea level

USGS TOPOGRAPHIC MAP

Target Property Map:	5629046 CLARKSVILLE, CA
Version Date:	2012

EDR's GeoCheck Physical Setting Source Addendum is provided to assist the environmental professional in forming an opinion about the impact of potential contaminant migration.

Assessment of the impact of contaminant migration generally has two principal investigative components:

1. Groundwater flow direction, and
2. Groundwater flow velocity.

Groundwater flow direction may be impacted by surface topography, hydrology, hydrogeology, characteristics of the soil, and nearby wells. Groundwater flow velocity is generally impacted by the nature of the geologic strata.

GEOCHECK® - PHYSICAL SETTING SOURCE SUMMARY

GROUNDWATER FLOW DIRECTION INFORMATION

Groundwater flow direction for a particular site is best determined by a qualified environmental professional using site-specific well data. If such data is not reasonably ascertainable, it may be necessary to rely on other sources of information, such as surface topographic information, hydrologic information, hydrogeologic data collected on nearby properties, and regional groundwater flow information (from deep aquifers).

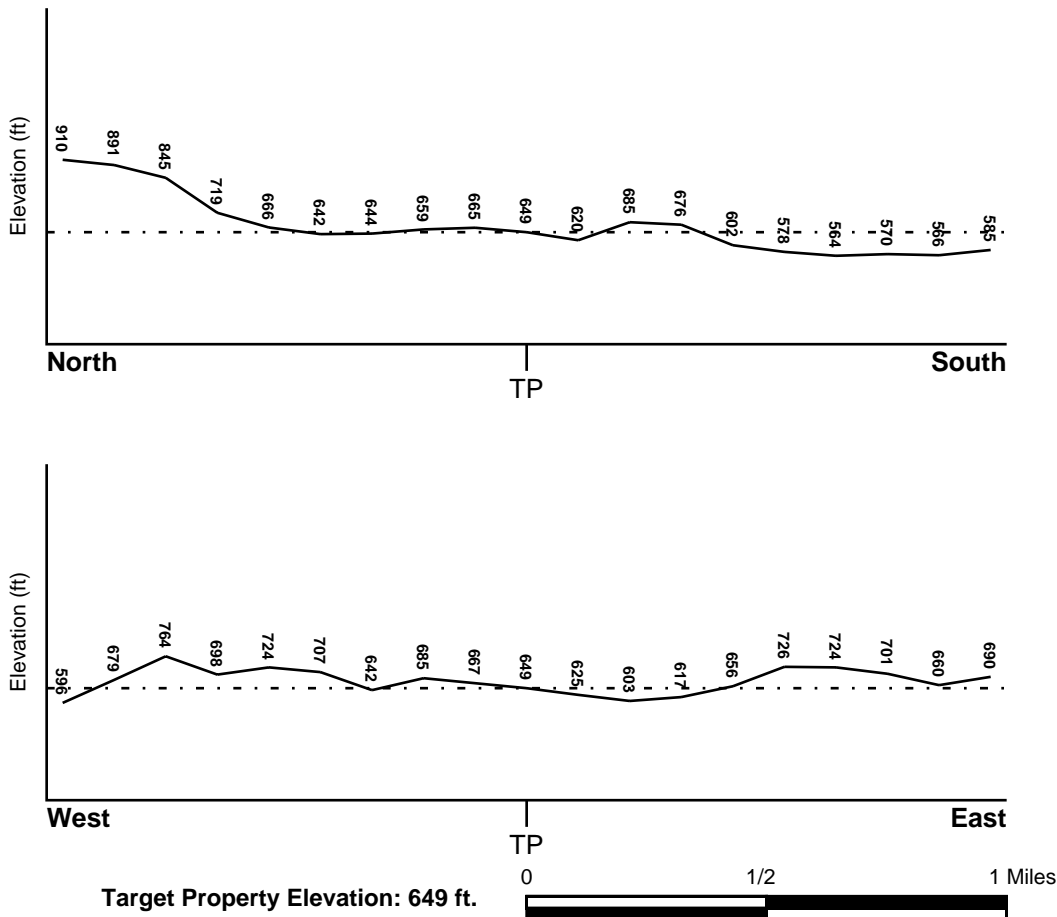
TOPOGRAPHIC INFORMATION

Surface topography may be indicative of the direction of surficial groundwater flow. This information can be used to assist the environmental professional in forming an opinion about the impact of nearby contaminated properties or, should contamination exist on the target property, what downgradient sites might be impacted.

TARGET PROPERTY TOPOGRAPHY

General Topographic Gradient: General ENE

SURROUNDING TOPOGRAPHY: ELEVATION PROFILES



Source: Topography has been determined from the USGS 7.5' Digital Elevation Model and should be evaluated on a relative (not an absolute) basis. Relative elevation information between sites of close proximity should be field verified.

GEOCHECK® - PHYSICAL SETTING SOURCE SUMMARY

HYDROLOGIC INFORMATION

Surface water can act as a hydrologic barrier to groundwater flow. Such hydrologic information can be used to assist the environmental professional in forming an opinion about the impact of nearby contaminated properties or, should contamination exist on the target property, what downgradient sites might be impacted.

Refer to the Physical Setting Source Map following this summary for hydrologic information (major waterways and bodies of water).

FEMA FLOOD ZONE

<u>Flood Plain Panel at Target Property</u>	<u>FEMA Source Type</u>
06067C0140H	FEMA FIRM Flood data
<u>Additional Panels in search area:</u>	<u>FEMA Source Type</u>
06017C0725E	FEMA FIRM Flood data

NATIONAL WETLAND INVENTORY

<u>NWI Quad at Target Property</u>	<u>NWI Electronic Data Coverage</u>
CLARKSVILLE	YES - refer to the Overview Map and Detail Map

HYDROGEOLOGIC INFORMATION

Hydrogeologic information obtained by installation of wells on a specific site can often be an indicator of groundwater flow direction in the immediate area. Such hydrogeologic information can be used to assist the environmental professional in forming an opinion about the impact of nearby contaminated properties or, should contamination exist on the target property, what downgradient sites might be impacted.

Site-Specific Hydrogeological Data*:

Search Radius:	1.25 miles
Status:	Not found

AQUIFLOW®

Search Radius: 1.000 Mile.

EDR has developed the AQUIFLOW Information System to provide data on the general direction of groundwater flow at specific points. EDR has reviewed reports submitted by environmental professionals to regulatory authorities at select sites and has extracted the date of the report, groundwater flow direction as determined hydrogeologically, and the depth to water table.

<u>MAP ID</u>	<u>LOCATION FROM TP</u>	<u>GENERAL DIRECTION GROUNDWATER FLOW</u>
Not Reported		

* ©1996 Site-specific hydrogeological data gathered by CERCLIS Alerts, Inc., Bainbridge Island, WA. All rights reserved. All of the information and opinions presented are those of the cited EPA report(s), which were completed under a Comprehensive Environmental Response Compensation and Liability Information System (CERCLIS) investigation.

GEOCHECK® - PHYSICAL SETTING SOURCE SUMMARY

GROUNDWATER FLOW VELOCITY INFORMATION

Groundwater flow velocity information for a particular site is best determined by a qualified environmental professional using site specific geologic and soil strata data. If such data are not reasonably ascertainable, it may be necessary to rely on other sources of information, including geologic age identification, rock stratigraphic unit and soil characteristics data collected on nearby properties and regional soil information. In general, contaminant plumes move more quickly through sandy-gravelly types of soils than silty-clayey types of soils.

GEOLOGIC INFORMATION IN GENERAL AREA OF TARGET PROPERTY

Geologic information can be used by the environmental professional in forming an opinion about the relative speed at which contaminant migration may be occurring.

ROCK STRATIGRAPHIC UNIT

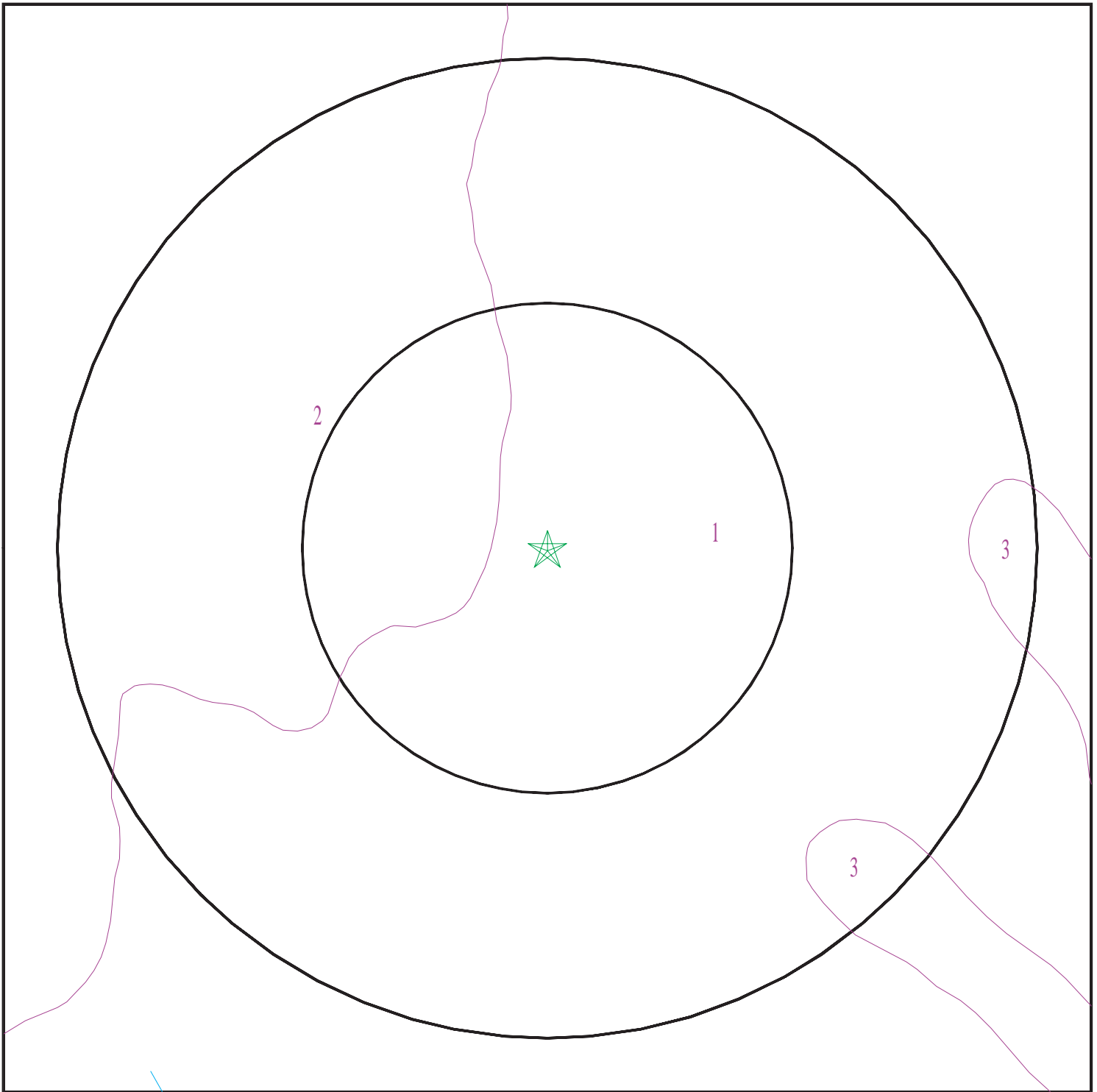
Era: Mesozoic
System: Lower Jurassic and Upper Triassic
Series: Lower Mesozoic
Code: IMze (*decoded above as Era, System & Series*)

GEOLOGIC AGE IDENTIFICATION

Category: Eugeosynclinal Deposits

Geologic Age and Rock Stratigraphic Unit Source: P.G. Schruben, R.E. Arndt and W.J. Bawiec, Geology of the Conterminous U.S. at 1:2,500,000 Scale - a digital representation of the 1974 P.B. King and H.M. Beikman Map, USGS Digital Data Series DDS - 11 (1994).

SSURGO SOIL MAP - 4966999.2s



- ★ Target Property
- SSURGO Soil
- Water



SITE NAME: El Dorado Hills ESA
ADDRESS: 1000-1098 Saratoga Way
El Dorado Hills CA 95762
LAT/LONG: 38.654719 / 121.071973

CLIENT: Environmental Solutions
CONTACT: Mike Rezvani
INQUIRY #: 4966999.2s
DATE: June 15, 2017 11:15 am

GEOCHECK® - PHYSICAL SETTING SOURCE SUMMARY

DOMINANT SOIL COMPOSITION IN GENERAL AREA OF TARGET PROPERTY

The U.S. Department of Agriculture's (USDA) Soil Conservation Service (SCS) leads the National Cooperative Soil Survey (NCSS) and is responsible for collecting, storing, maintaining and distributing soil survey information for privately owned lands in the United States. A soil map in a soil survey is a representation of soil patterns in a landscape. The following information is based on Soil Conservation Service SSURGO data.

Soil Map ID: 1

Soil Component Name: AUBURN

Soil Surface Texture: silt loam

Hydrologic Group: Class D - Very slow infiltration rates. Soils are clayey, have a high water table, or are shallow to an impervious layer.

Soil Drainage Class: Well drained

Hydric Status: Not hydric

Corrosion Potential - Uncoated Steel: Moderate

Depth to Bedrock Min: > 48 inches

Depth to Watertable Min: > 0 inches

Soil Layer Information							
Layer	Boundary		Soil Texture Class	Classification		Saturated hydraulic conductivity micro m/sec	Soil Reaction (pH)
	Upper	Lower		AASHTO Group	Unified Soil		
1	0 inches	14 inches	silt loam	Not reported	FINE-GRAINED SOILS, Silts and Clays (liquid limit less than 50%), Lean Clay. FINE-GRAINED SOILS, Silts and Clays (liquid limit less than 50%), silt.	Max: 14 Min: 4	Max: 7.3 Min: 6.1
2	14 inches	18 inches	unweathered bedrock	Not reported	Not reported	Max: Min:	Max: Min:

Soil Map ID: 2

Soil Component Name: AUBURN

Soil Surface Texture: silt loam

Hydrologic Group: Class D - Very slow infiltration rates. Soils are clayey, have a high water table, or are shallow to an impervious layer.

Soil Drainage Class: Well drained

GEOCHECK® - PHYSICAL SETTING SOURCE SUMMARY

Hydric Status: Not hydric

Corrosion Potential - Uncoated Steel: Moderate

Depth to Bedrock Min: > 48 inches

Depth to Watertable Min: > 0 inches

Soil Layer Information							
Layer	Boundary		Soil Texture Class	Classification		Saturated hydraulic conductivity micro m/sec	Soil Reaction (pH)
	Upper	Lower		AASHTO Group	Unified Soil		
1	0 inches	14 inches	silt loam	Not reported	FINE-GRAINED SOILS, Silts and Clays (liquid limit less than 50%), Lean Clay. FINE-GRAINED SOILS, Silts and Clays (liquid limit less than 50%), silt.	Max: 14 Min: 4	Max: 7.3 Min: 6.1
2	14 inches	18 inches	unweathered bedrock	Not reported	Not reported	Max: Min:	Max: Min:

Soil Map ID: 3

Soil Component Name: PLACER DIGGINGS

Soil Surface Texture: fine sandy loam, cobbles

Hydrologic Group: Class A - High infiltration rates. Soils are deep, well drained to excessively drained sands and gravels.

Soil Drainage Class:
Hydric Status: Not hydric

Corrosion Potential - Uncoated Steel: Not Reported

Depth to Bedrock Min: > 0 inches

Depth to Watertable Min: > 0 inches

GEOCHECK® - PHYSICAL SETTING SOURCE SUMMARY

Soil Layer Information							
Layer	Boundary		Soil Texture Class	Classification		Saturated hydraulic conductivity micro m/sec	Soil Reaction (pH)
	Upper	Lower		AASHTO Group	Unified Soil		
1	0 inches	59 inches	fine sandy loam, cobbles	Not reported	COARSE-GRAINED SOILS, Gravels, Clean gravels, Poorly Graded Gravel.	Max: 141 Min: 42	Max: Min:

LOCAL / REGIONAL WATER AGENCY RECORDS

EDR Local/Regional Water Agency records provide water well information to assist the environmental professional in assessing sources that may impact ground water flow direction, and in forming an opinion about the impact of contaminant migration on nearby drinking water wells.

WELL SEARCH DISTANCE INFORMATION

<u>DATABASE</u>	<u>SEARCH DISTANCE (miles)</u>
Federal USGS	1.000
Federal FRDS PWS	Nearest PWS within 0.001 miles
State Database	1.000

FEDERAL USGS WELL INFORMATION

<u>MAP ID</u>	<u>WELL ID</u>	<u>LOCATION FROM TP</u>
No Wells Found		

FEDERAL FRDS PUBLIC WATER SUPPLY SYSTEM INFORMATION

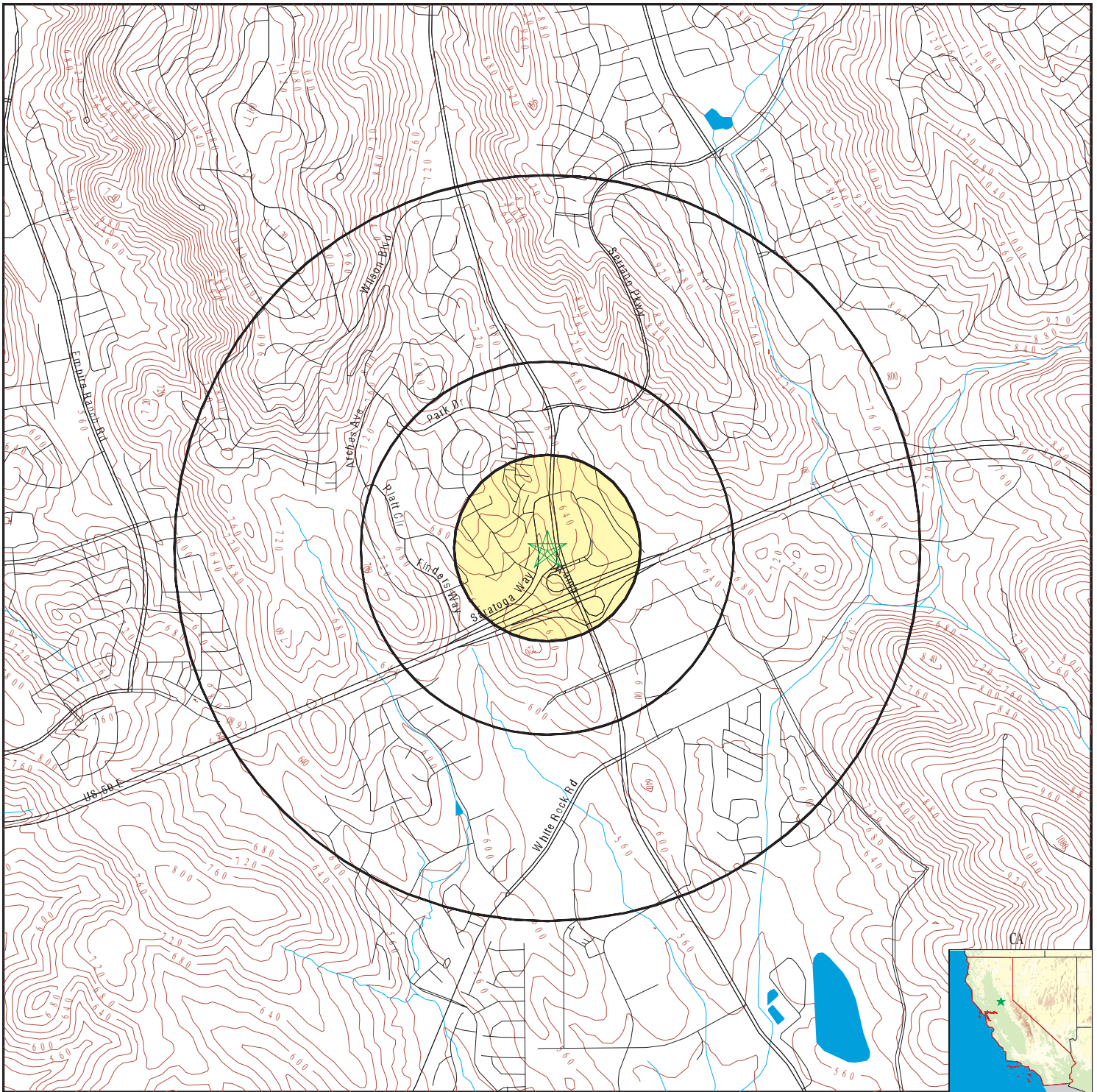
<u>MAP ID</u>	<u>WELL ID</u>	<u>LOCATION FROM TP</u>
No PWS System Found		

Note: PWS System location is not always the same as well location.

STATE DATABASE WELL INFORMATION

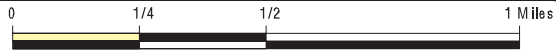
<u>MAP ID</u>	<u>WELL ID</u>	<u>LOCATION FROM TP</u>
No Wells Found		

PHYSICAL SETTING SOURCE MAP - 4966999.2s



- County Boundary
- Major Roads
- Contour Lines
- Earthquake Fault Lines
- Earthquake epicenter, Richter 5 or greater
- Water Wells
- Public Water Supply Wells
- Cluster of Multiple Icons

- Groundwater Flow Direction
- Indeterminate Groundwater Flow at Location
- Groundwater Flow Varies at Location
- Closest Hydrogeological Data
- Oil, gas or related wells



SITE NAME: El Dorado Hills ESA
 ADDRESS: 1000-1098 Saratoga Way
 El Dorado Hills CA 95762
 LAT/LONG: 38.654719 / 121.071973

CLIENT: Environmental Solutions
 CONTACT: Mike Rezvani
 INQUIRY #: 4966999.2s
 DATE: June 15, 2017 11:15 am

GEOCHECK® - PHYSICAL SETTING SOURCE MAP FINDINGS RADON

AREA RADON INFORMATION

State Database: CA Radon

Radon Test Results

Zipcode	Num Tests	> 4 pCi/L
95762	31	3

Federal EPA Radon Zone for EL DORADO County: 2

- Note: Zone 1 indoor average level > 4 pCi/L.
 : Zone 2 indoor average level >= 2 pCi/L and <= 4 pCi/L.
 : Zone 3 indoor average level < 2 pCi/L.

Federal Area Radon Information for EL DORADO COUNTY, CA

Number of sites tested: 27

Area	Average Activity	% <4 pCi/L	% 4-20 pCi/L	% >20 pCi/L
Living Area - 1st Floor	0.844 pCi/L	100%	0%	0%
Living Area - 2nd Floor	Not Reported	Not Reported	Not Reported	Not Reported
Basement	3.400 pCi/L	50%	50%	0%

PHYSICAL SETTING SOURCE RECORDS SEARCHED

TOPOGRAPHIC INFORMATION

USGS 7.5' Digital Elevation Model (DEM)

Source: United States Geologic Survey

EDR acquired the USGS 7.5' Digital Elevation Model in 2002 and updated it in 2006. The 7.5 minute DEM corresponds to the USGS 1:24,000- and 1:25,000-scale topographic quadrangle maps. The DEM provides elevation data with consistent elevation units and projection.

Current USGS 7.5 Minute Topographic Map

Source: U.S. Geological Survey

HYDROLOGIC INFORMATION

Flood Zone Data: This data was obtained from the Federal Emergency Management Agency (FEMA). It depicts 100-year and 500-year flood zones as defined by FEMA. It includes the National Flood Hazard Layer (NFHL) which incorporates Flood Insurance Rate Map (FIRM) data and Q3 data from FEMA in areas not covered by NFHL.

Source: FEMA

Telephone: 877-336-2627

Date of Government Version: 2003, 2015

NWI: National Wetlands Inventory. This data, available in select counties across the country, was obtained by EDR in 2002, 2005 and 2010 from the U.S. Fish and Wildlife Service.

State Wetlands Data: Wetland Inventory

Source: Department of Fish & Game

Telephone: 916-445-0411

HYDROGEOLOGIC INFORMATION

AQUIFLOW^R Information System

Source: EDR proprietary database of groundwater flow information

EDR has developed the AQUIFLOW Information System (AIS) to provide data on the general direction of groundwater flow at specific points. EDR has reviewed reports submitted to regulatory authorities at select sites and has extracted the date of the report, hydrogeologically determined groundwater flow direction and depth to water table information.

GEOLOGIC INFORMATION

Geologic Age and Rock Stratigraphic Unit

Source: P.G. Schruben, R.E. Arndt and W.J. Bawiec, Geology of the Conterminous U.S. at 1:2,500,000 Scale - A digital representation of the 1974 P.B. King and H.M. Beikman Map, USGS Digital Data Series DDS - 11 (1994).

STATSGO: State Soil Geographic Database

Source: Department of Agriculture, Natural Resources Conservation Service (NRCS)

The U.S. Department of Agriculture's (USDA) Natural Resources Conservation Service (NRCS) leads the national Conservation Soil Survey (NCSS) and is responsible for collecting, storing, maintaining and distributing soil survey information for privately owned lands in the United States. A soil map in a soil survey is a representation of soil patterns in a landscape. Soil maps for STATSGO are compiled by generalizing more detailed (SSURGO) soil survey maps.

SSURGO: Soil Survey Geographic Database

Source: Department of Agriculture, Natural Resources Conservation Service (NRCS)

Telephone: 800-672-5559

SSURGO is the most detailed level of mapping done by the Natural Resources Conservation Service, mapping scales generally range from 1:12,000 to 1:63,360. Field mapping methods using national standards are used to construct the soil maps in the Soil Survey Geographic (SSURGO) database. SSURGO digitizing duplicates the original soil survey maps. This level of mapping is designed for use by landowners, townships and county natural resource planning and management.

PHYSICAL SETTING SOURCE RECORDS SEARCHED

LOCAL / REGIONAL WATER AGENCY RECORDS

FEDERAL WATER WELLS

PWS: Public Water Systems

Source: EPA/Office of Drinking Water

Telephone: 202-564-3750

Public Water System data from the Federal Reporting Data System. A PWS is any water system which provides water to at least 25 people for at least 60 days annually. PWSs provide water from wells, rivers and other sources.

PWS ENF: Public Water Systems Violation and Enforcement Data

Source: EPA/Office of Drinking Water

Telephone: 202-564-3750

Violation and Enforcement data for Public Water Systems from the Safe Drinking Water Information System (SDWIS) after August 1995. Prior to August 1995, the data came from the Federal Reporting Data System (FRDS).

USGS Water Wells: USGS National Water Inventory System (NWIS)

This database contains descriptive information on sites where the USGS collects or has collected data on surface water and/or groundwater. The groundwater data includes information on wells, springs, and other sources of groundwater.

STATE RECORDS

Water Well Database

Source: Department of Water Resources

Telephone: 916-651-9648

California Drinking Water Quality Database

Source: Department of Public Health

Telephone: 916-324-2319

The database includes all drinking water compliance and special studies monitoring for the state of California since 1984. It consists of over 3,200,000 individual analyses along with well and water system information.

OTHER STATE DATABASE INFORMATION

California Oil and Gas Well Locations

Source: Department of Conservation

Telephone: 916-323-1779

Oil and Gas well locations in the state.

RADON

State Database: CA Radon

Source: Department of Health Services

Telephone: 916-324-2208

Radon Database for California

Area Radon Information

Source: USGS

Telephone: 703-356-4020

The National Radon Database has been developed by the U.S. Environmental Protection Agency (USEPA) and is a compilation of the EPA/State Residential Radon Survey and the National Residential Radon Survey. The study covers the years 1986 - 1992. Where necessary data has been supplemented by information collected at private sources such as universities and research institutions.

EPA Radon Zones

Source: EPA

Telephone: 703-356-4020

Sections 307 & 309 of IRAA directed EPA to list and identify areas of U.S. with the potential for elevated indoor radon levels.

APPENDIX E
Questionnaires

Environmental Solutions

Assessment - Engineering - Management

Environmental Solutions is conducting a Phase I ESA of the site located at 1000-1098 Saratoga Way, El Dorado Hills, California, hereinafter referred to as the, "Property." Please answer the following questions to the best of your knowledge, scan and e-mail to: es65@pacbell.net or FAX to: (714) 593-0012.

- 1) Is the property, past or present, been occupied by a tenant using significant amounts of hazardous materials or petroleum products?

YES NO/DON'T KNOW IF YES, EXPLAIN:

- 2) Are there any adjoining sites, past or present, occupied by a tenant using significant amounts of hazardous materials or petroleum products?

YES NO/DON'T KNOW IF YES, EXPLAIN:

- 3) Are you aware of spills or releases on the Property or adjacent sites?

YES NO/DON'T KNOW IF YES, EXPLAIN:

- 4) In regards to the Property, are there any environmental liens or Activity or Use Limitations (ALUs) such as engineering controls, land use restrictions or institutional controls in place or on file under federal, tribal, state or local law?

YES NO/DON'T KNOW IF YES, EXPLAIN:

- 5) Are you aware of any fill (dirt) on the Property that originated from a contaminated site or that is of an unknown origin?

YES NO/DON'T KNOW IF YES, EXPLAIN:

- 6) Have there been any pits, ponds, or lagoons located on the Property?

YES NO/DON'T KNOW IF YES, EXPLAIN:

- 7) Have there been any Underground Storage Tanks (USTs) or Aboveground Storage Tanks (ASTs) located on the Property?

YES NO/DON'T KNOW IF YES, EXPLAIN:

- 8) Has the sale price of the Property been discounted for any environmental reason?

YES NO/DON'T KNOW IF YES, EXPLAIN:

- 9) Have you been informed of any environmental violations with respect to the Property?

YES NO/DON'T KNOW IF YES, EXPLAIN:

- 10) Do you have knowledge of any past environmental reports performed on the Property such as: an environmental site assessment, asbestos survey, lead based paint survey, mold testing, soil and/or groundwater testing?
YES NO/DON'T KNOW IF YES, EXPLAIN: *Previous Phase I with finding of "no further study needed. Asbestos soil tests with result of "NO Asbestos" found.*
- 11) Do you know of any past, threatened, or pending lawsuits or administrative proceedings concerning a release or threatened release of a hazardous substance or petroleum product involving the Property?
YES NO/DON'T KNOW IF YES, EXPLAIN:
- 12) Does the Property discharge any industrial wastewater, other than stormwater, into a sanitary sewer system?
YES NO/DON'T KNOW IF YES, EXPLAIN:
- 13) What is the reason for having the Phase I Environmental Site Assessment performed?
 Purchase Lease Other (please attach explanation)
 Sale Loan
- 14) Are there hydraulic lifts and or elevators on the subject property? If so, please provide the number of lifts and the name of the company that has been hired to maintain the hydraulic lifts or elevators.
YES NO/DON'T KNOW IF YES, NUMBER OF LIFTS AND NAME OF MAINTENANCE COMPANY:
- 15) Has the hydraulic lift/elevator maintenance company ever indicated that there had been significant releases of hydraulic fluid from the system(s)?
YES NO/DON'T KNOW IF YES, EXPLAIN:
- 16) How many years of firsthand knowledge do you possess regarding the Property: *Since 2007.*
- 17) Please explain your relationship to the Property (owner, tenant, purchaser, real estate agent), the company you represent, and your title:
Owner,
- 18) Please provide, to the best of your knowledge, a brief description of the present and historical uses and/or tenants on the Property:
Previously there was a small office on the property. About 20 to 25 years ago.
- 19) Please list the Property owner's name on record along with a representative's name and phone number:
Peter NAVARRA (916) 798-6161

Peter Navarra
Completed By (Signature)

Peter NAVARRA
Printed Name

Owner
Title

6-22-2017
Date

Company

Environmental Solutions

Assessment – Engineering - Management

Environmental Solutions is conducting a Phase I ESA of the site located at 1000-1098 Saratoga Way, El Dorado Hills, California, hereinafter referred to as the, "Property." Please answer the following questions to the best of your knowledge, scan and e-mail to: **es65@pacbell.net** or FAX to: **(714) 593-0012**.

- 1) Is the property, past or present, been occupied by a tenant using significant amounts of hazardous materials or petroleum products?
YES NO/DON'T KNOW IF YES, EXPLAIN: *Unknown*
- 2) Are there any adjoining sites, past or present, occupied by a tenant using significant amounts of hazardous materials or petroleum products?
YES NO/DON'T KNOW IF YES, EXPLAIN: *Unknown*
- 3) Are you aware of spills or releases on the Property or adjacent sites?
YES NO/DON'T KNOW IF YES, EXPLAIN: *Unknown*
- 4) In regards to the Property, are there any environmental liens or Activity or Use Limitations (ALUs) such as engineering controls, land use restrictions or institutional controls in place or on file under federal, tribal, state or local law?
YES NO/DON'T KNOW IF YES, EXPLAIN: *Unknown*
- 5) Are you aware of any fill (dirt) on the Property that originated from a contaminated site or that is of an unknown origin?
YES NO/DON'T KNOW IF YES, EXPLAIN: *Unknown*
- 6) Have there been any pits, ponds, or lagoons located on the Property?
YES NO/DON'T KNOW IF YES, EXPLAIN: *Unknown*
- 7) Have there been any Underground Storage Tanks (USTs) or Aboveground Storage Tanks (ASTs) located on the Property?
YES NO/DON'T KNOW IF YES, EXPLAIN: *Unknown*
- 8) Has the sale price of the Property been discounted for any environmental reason?
YES NO/DON'T KNOW IF YES, EXPLAIN: *Unknown*
- 9) Have you been informed of any environmental violations with respect to the Property?
YES NO/DON'T KNOW IF YES, EXPLAIN: *Unknown*

10) Do you have knowledge of any past environmental reports performed on the Property such as: an environmental site assessment, asbestos survey, lead based paint survey, mold testing, soil and/or groundwater testing?

YES NO/DON'T KNOW

IF YES, EXPLAIN: unknown

11) Do you know of any past, threatened, or pending lawsuits or administrative proceedings concerning a release or threatened release of a hazardous substance or petroleum product involving the Property?

YES NO/DON'T KNOW

IF YES, EXPLAIN: unknown

12) Does the Property discharge any industrial wastewater, other than stormwater, into a sanitary sewer system?

YES NO/DON'T KNOW

IF YES, EXPLAIN: unknown

13) What is the reason for having the Phase I Environmental Site Assessment performed?

Purchase Lease Other (please attach explanation)

Sale Loan

14) Are there hydraulic lifts and or elevators on the subject property? If so, please provide the number of lifts and the name of the company that has been hired to maintain the hydraulic lifts or elevators.

YES NO/DON'T KNOW

IF YES, NUMBER OF LIFTS AND NAME OF MAINTENANCE COMPANY: unknown

15) Has the hydraulic lift/elevator maintenance company ever indicated that there had been significant releases of hydraulic fluid from the system(s)?

YES NO/DON'T KNOW

IF YES, EXPLAIN: unknown

16) How many years of firsthand knowledge do you possess regarding the Property:

unknown

17) Please explain your relationship to the Property (owner, tenant, purchaser, real estate agent), the company you represent, and your title:

Lender, Bolour Associates, operations associate

18) Please provide, to the best of your knowledge, a brief description of the present and historical uses and/or tenants on the Property:

unknown

19) Please list the Property owner's name on record along with a representative's name and phone number:

Under separate email

KCM
Completed By (Signature)
Katharine Hall
Printed Name
Bolour Associates
Company

operations associate
Title
6/14/17
Date



Attachment 4

Letter of Correspondence



U.S. Army Corps of
Engineers Letter



REPLY TO
ATTENTION OF

DEPARTMENT OF THE ARMY
U.S. ARMY ENGINEER DISTRICT, SACRAMENTO
CORPS OF ENGINEERS
1325 J STREET
SACRAMENTO, CALIFORNIA 95814-2922

March 30, 2007

Regulatory Branch (200600761)

Kirk Bone
Serrano Associates, L.L.C.
4525 Serrano Parkway
El Dorado Hills, California 95762

Dear Mr. Bone:

We are responding to your consultant's request for an approved jurisdictional determination for the Westside Commercial site. This approximately 2.45-acre site is located in the northwest corner of Highway 50 and El Dorado Hills Boulevard in Sections 2 and 11, Township 9 North, Range 8 East, MDB&M, Latitude 038° 39' 18.7", Longitude 121° 04' 16.0", El Dorado County, California.

Based on available information, we do not concur with the estimate of waters of the United States, as depicted on the September 19, 2006, Westside Wetland Delineation drawing prepared by ECORP Consulting, Inc. Based on our site visit with ECORP staff on January 18, 2007, the approximately 0.007-acre isolated depressional feature on the above drawing does not appear to have hydric soils and lacks any apparent interstate or foreign commerce connection. As such the site does not contain any features currently regulated by the Corps of Engineers.

This disclaimer of jurisdiction is only for Section 404 of the Federal Clean Water Act. Other Federal, State, and local laws may apply to your activities. In particular, you may need authorization from the California State Water Resources Control Board and/or the U.S. Fish and Wildlife Service.

This verification is valid for five years from the date of this letter, unless new information warrants revision of the determination before the expiration date. This letter contains an approved jurisdictional determination for your subject site. If you object to this determination, you may request an administrative appeal under Corps regulations at 33 CFR Part 331. Enclosed you will find a Notification of Appeal Process (NAP) fact sheet and Request for Appeal (RFA) form. If you request to appeal this determination you must submit a completed RFA form to the South Pacific Division Office at the following address: Doug Pomeroy, Administrative Appeal Review Officer, Army Corps of Engineers, South Pacific Division, CESPDPDS-O, 333 Market Street, Room 923, San Francisco, California 94105-2195, Telephone: 415-977-8035 FAX: 415-977-8129.

In order for an RFA to be accepted by the Corps, the Corps must determine that it is complete, that it meets the criteria for appeal under 33 CFR Part 331.5, and that it has been received by the Division Office within 60 days of the NAP. Should you decide to submit an RFA form, it must be received at the above address by May 29, 2007. It is not necessary to submit an RFA form to the Division Office if you do not object to the determination in this letter.

You should provide a copy of this letter and notice to all other affected parties, including any individual who has an identifiable and substantial legal interest in the property.

This determination has been conducted to identify the limits of Corps of Engineers' Clean Water Act jurisdiction for the particular site identified in this request. This determination may not be valid for the wetland conservation provisions of the Food Security Act of 1985. If you or your tenant are USDA program participants, or anticipate participation in USDA programs, you should request a certified wetland determination from the local office of the Natural Resources Conservation Service, prior to starting work.

Please refer to identification number 200600761 in any correspondence concerning this project. If you have any questions, please contact Michael Finan at our San Joaquin Valley Office, 1325 J Street, Room 1480, Sacramento, California 95814-2922, email Michael.C.Finan@usace.army.mil, or telephone 916-557-5324. You may also use our website: www.spk.usace.army.mil/regulatory.html.

Sincerely,

ORIGINAL SIGNED

Kathy Norton
Chief, San Joaquin Valley Office

Enclosure(s)

Copy furnished without enclosure(s):

✓ Cynthia Herzog, ECORP Consulting, Inc., 2525 Warren Drive, Rocklin, California 95677
William Marshall, Storm Water and Water Quality Certification Unit, Central Valley
Regional Water Quality Control Board, 11020 Sun Center Drive #200, Rancho
Cordova, California 95670-6114
Chief, Water Quality Certification Unit, California State Water Resources Control
Board, 1001 I Street, Sacramento, California 95814
U.S. Fish and Wildlife Service, Endangered Species Division, 2800 Cottage Way, Suite
W2605, Sacramento, California 95825-3901