

INDEX OF SHEETS

SHEET	PLAN SHEET	TITLE
1		TITLE SHEET
2	L-1	SITE PLAN
3	L-2	LAYOUT
4	L-3	RAILROAD RECONSTRUCTION

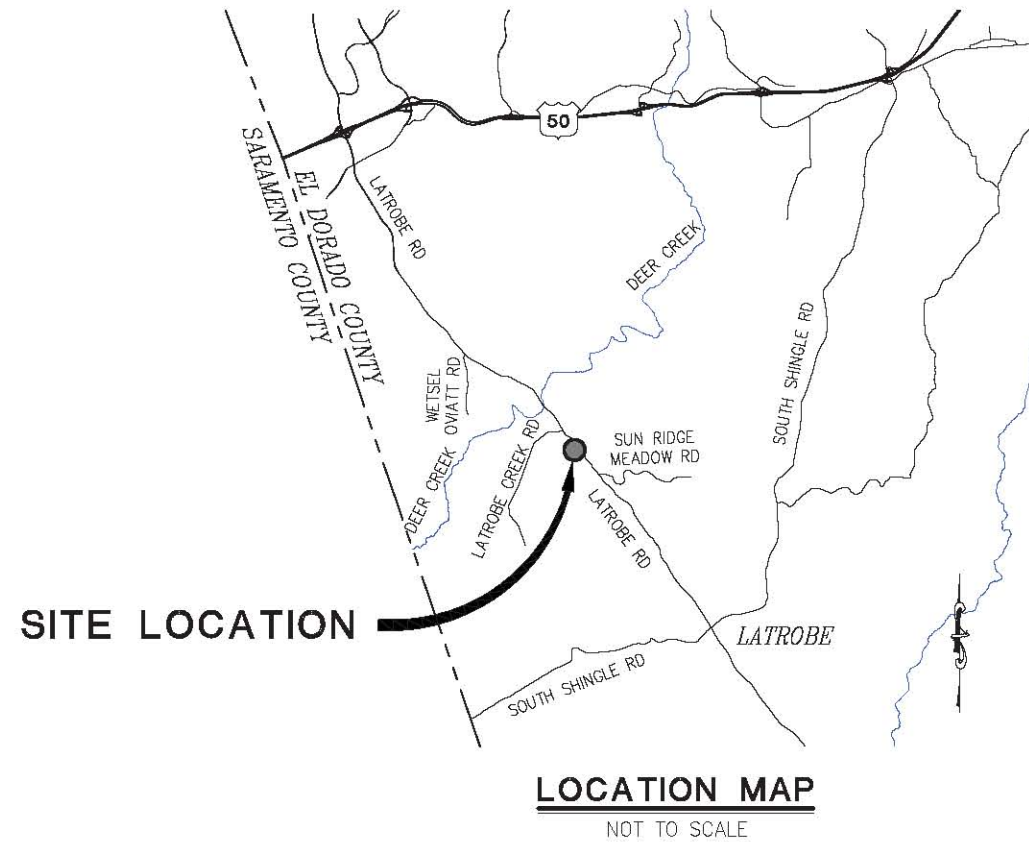
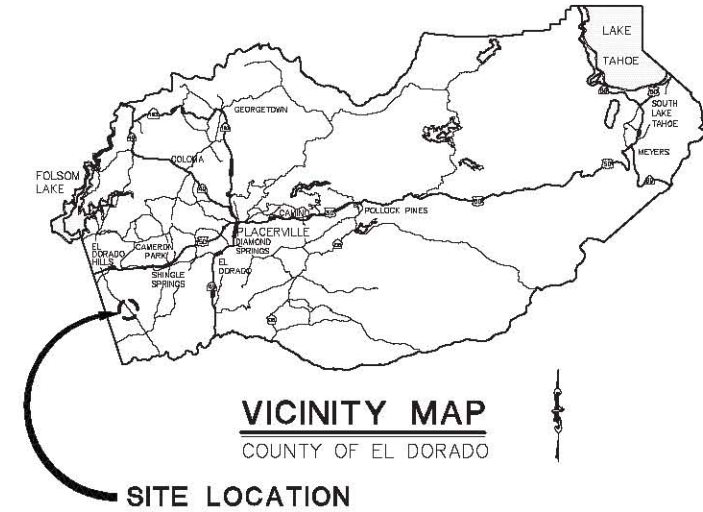
COUNTY OF EL DORADO, CA  
DEPARTMENT OF TRANSPORTATION

PROJECT PLANS FOR THE CONSTRUCTION OF

LATROBE RAILROAD  
STORM DAMAGE REPAIR

IN THE COUNTY OF EL DORADO, DISTRICT 2  
APPROX. 5.4 MILES OUTH OF THE U.S. HWY 50/LATROBE RD INTERCHANGE

To be supplemented with Standard Plans and Specifications dated 2015, including the 2015 Revised Standard Specifications, of the California Department of Transportation, unless otherwise noted.



**FEMA PROJECT No.**  
EELG20

**BOARD OF SUPERVISORS**  
I JOHN HIDAHL  
II SHIVA FRENTZEN  
III BRIAN VEERKAMP  
IV LORI PARLIN  
V SUE NOVASEL

**COUNTY OF EL DORADO  
DEPARTMENT OF TRANSPORTATION**  
  
(530) 621-5900  
2850 FAIRLAKE CT  
PLACERVILLE, CA 95667

ADOPTED AND APPROVED BY:  
SUE NOVASEL, CHAIR, EL DORADO COUNTY BOARD OF SUPERVISORS  
APPROVED BY:  
RAFAEL MARTINEZ, DIRECTOR, DEPARTMENT OF TRANSPORTATION  
MATTHEW D. SNEITZER, P.E. NO. C55832, DEPUTY DIRECTOR, ENGINEERING

CONTRACT NO. 4025 CIP NO. 99454  
**LATROBE RAILROAD  
STORM DAMAGE REPAIR**  
**TITLE SHEET**  
SHEET 1 OF 4

CONTRACTOR'S LICENSE CLASSIFICATION: Bidders shall be properly licensed to perform the Work pursuant to the State Contractor's License Act (Business and Professions Code section 7000 et seq.) and shall possess a CLASS A LICENSE or equivalent combination of Classes required by the categories and type of Work included in the Contract Documents and Plans. Failure of the successful Bidder to obtain proper and adequate licensing at the time bids are submitted shall constitute a failure to execute the Contract, and forfeiture as provided under that section.

REVISIONS		
MARK	DATE	BY



ORIGINAL SCALE IS IN INCHES  
 Drawing name: C:\Civil 3D Projects\99454 LATROBE RAILROAD REPAIR\CADD Files\Production Drawings\Master.dwg Layout Tab: L-1 Oct 22, 2019 11:57am SMC\ey  
 FOR REDUCED PLANS  
 REVISION



**SITE PLAN**  
SCALE: 1"=100'

- CONSTRUCTION NOTES:**
- ① — PLACE BALLAST AT VARIOUS LOCATIONS ALONG RAILROAD AS DIRECTED BY ENGINEER
  - ② — WASHOUT REPAIR SITE, SEE SHEETS L-2 THRU L-3
  - ③ — 30' WIDE TEMPORARY CONSTRUCTION EASEMENT (TCE) FOR ACCESS TO SITE FROM LATROBE RD

**SITE PLAN**  
SCALE : AS SHOWN

REVISION	NUMBER	DATE	DESCRIPTION	BY

PREPARED UNDER THE SUPERVISION OF :	DESIGNED: JIB	DRAWN: SGM
REGISTERED CIVIL ENGINEER	CHECKED: JIB	DATE: 10/22/19
DATE:	ROAD NUMBER:	-

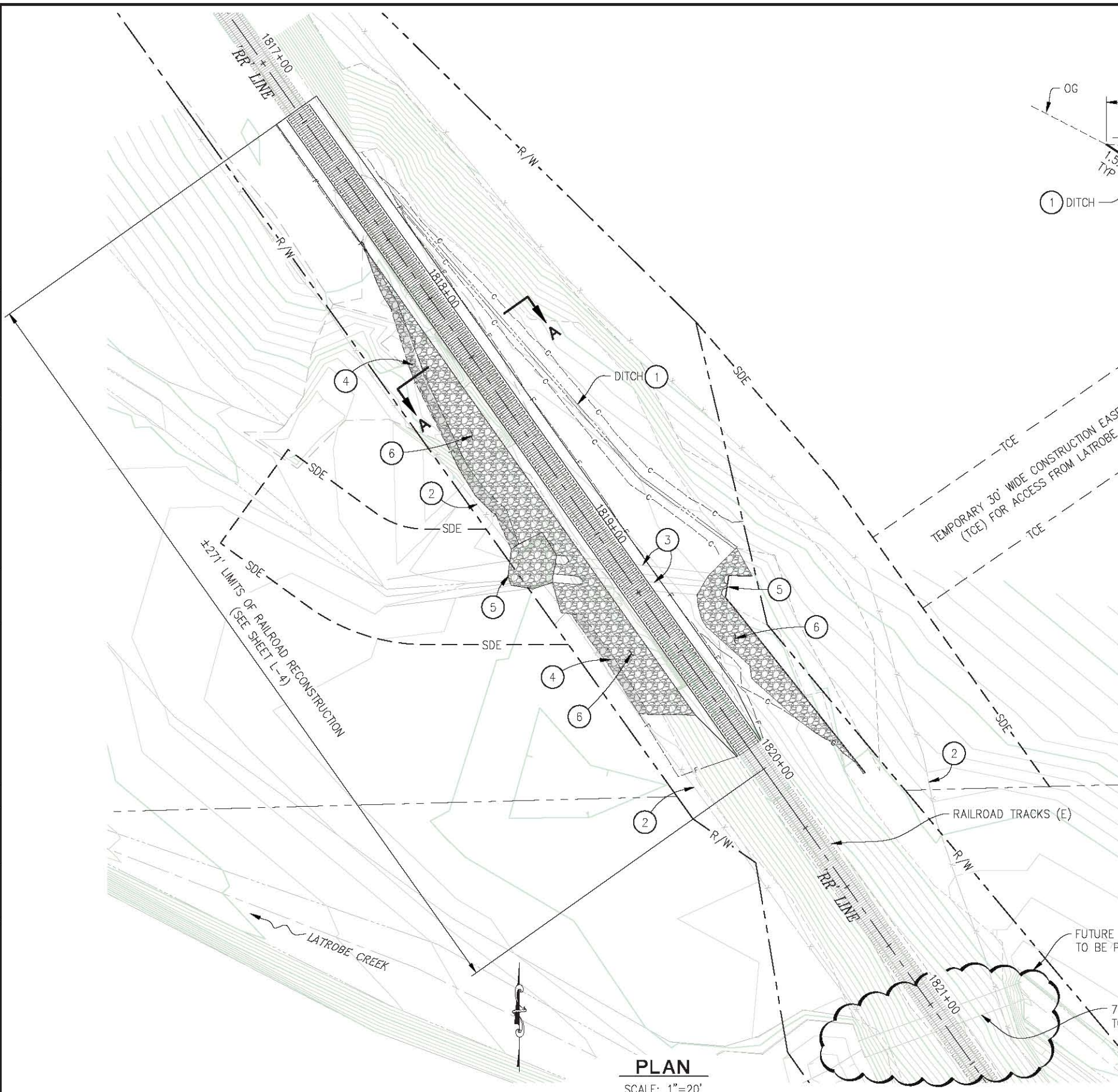


**COUNTY OF EL DORADO**  
**DEPARTMENT OF TRANSPORTATION**

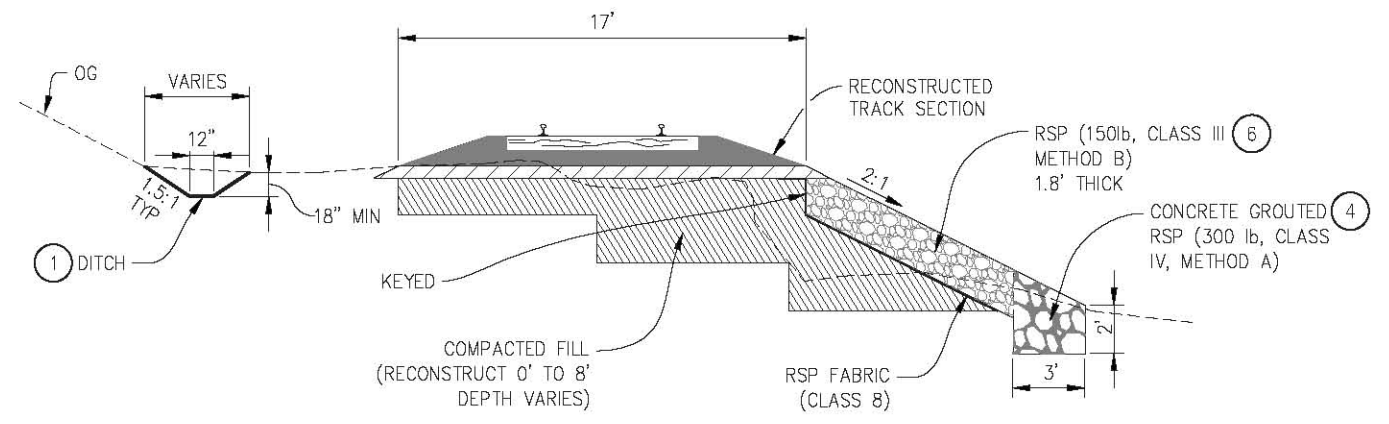
**LATROBE RAILROAD**  
**STORM DAMAGE REPAIR**

SHEET	L-1
2 OF 4	
W.O. No.	99454

ORIGINAL SCALE IS IN INCHES  
 Drawing name: C:\Civil 3D\Projects\99454 LATROBE RAILROAD REPAIR\CADD Files\Production Drawings\Master.dwg Layout Tab: L-2 Nov 05 2019 6:08am SiteVey  
 FOR REDUCED PLANS  
 REVISION



**PLAN**  
SCALE: 1"=20'



**SECTION A-A**  
NTS

**GENERAL NOTES:**

1. HYDROSEED ALL DISTURBED AREAS
2. PRESERVE AND PROTECT TREES WHERE POSSIBLE

**CONSTRUCTION NOTES:**

- 1 — RECONSTRUCT/REESTABLISH APPROX 171 LF OF DITCH AS SHOWN
- 2 — REMOVE AND REPLACE EXIST BW FENCE AS NECESSARY. NEW BW FENCE LOCATION TO MATCH EXISTING WHERE POSSIBLE, FINAL LOCATION AS DIRECTED BY ENGINEER.
- 3 — (E) DOUBLE 36" CMP TO REMAIN, (SLURRY GROUT VOID SPACE)

**ADDITIVE ALTERNATE (SCHEDULE B) ITEMS:**

- 4 — PLACE RSP (CL IV) INTERLOCKED WITH SMALLER RSP (CL III) & PARTIALLY GROUT IN PLACE AS DIRECTED BY ENGINEER
- 5 — PLACE RSP (CL III) AS DIRECTED BY ENGINEER ALONG INVERT IN AREAS WHERE SUBGRADE OCCURS IN ERODIBLE MATERIAL
- 6 — PLACE RSP (CL III) AT EMBANKMENT SLOPE FACE

RSP QUANTITIES			
		CLASS III	CLASS IV
'RR' LINE	RAILROAD EMBANKMENT	191 CY	49 CY*
TOTAL		191 CY	49 CY

\* INDICATES GROUTED-RSP

REVISION	NUMBER	DATE	DESCRIPTION	BY

PREPARED UNDER THE SUPERVISION OF :

DESIGNED: JIB SGM  
 DRAWN: SGM  
 CHECKED: JIB  
 DATE: 10/22/19  
 ROAD NUMBER: -

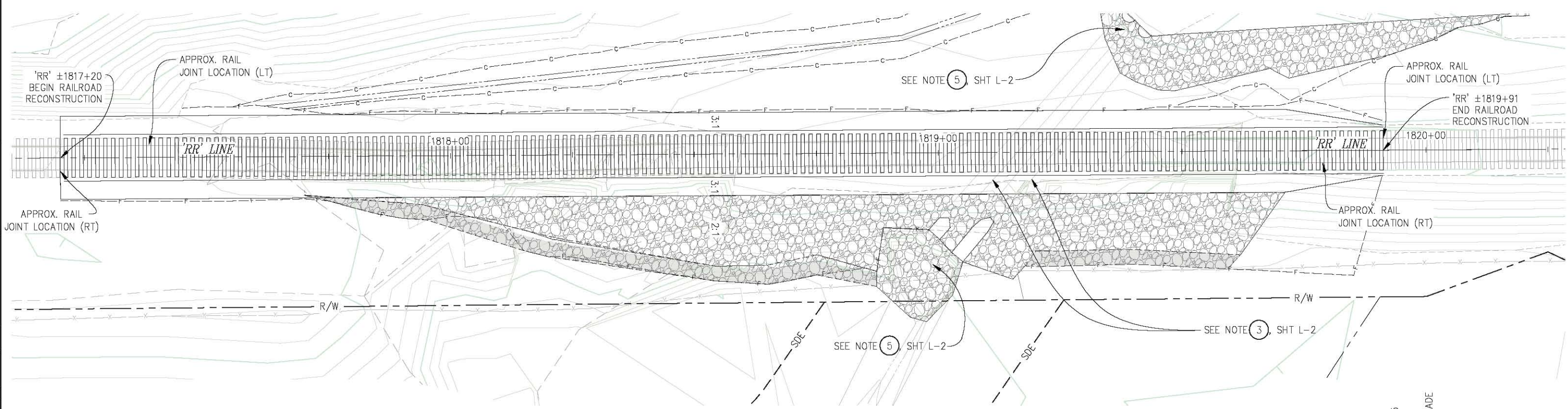
REGISTERED CIVIL ENGINEER  
 DATE: -


  
**COUNTY OF EL DORADO**  
**DEPARTMENT OF TRANSPORTATION**

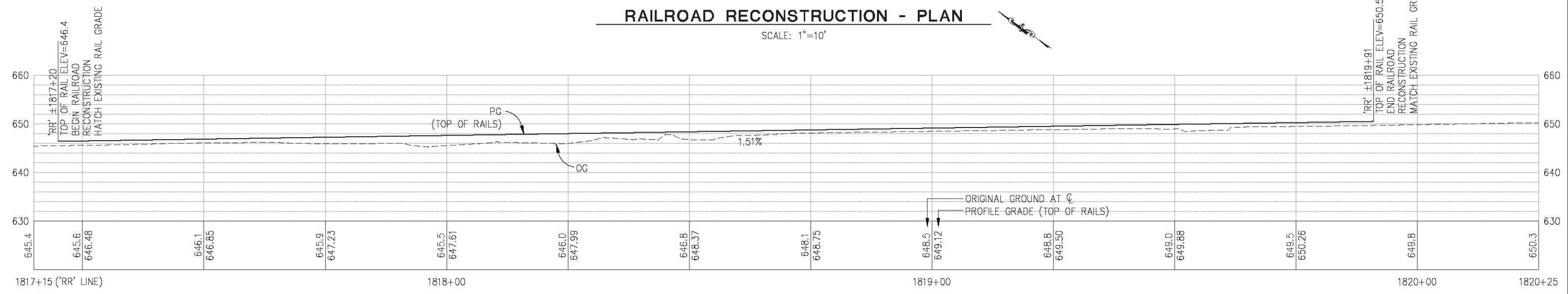
**LATROBE RAILROAD**  
**STORM DAMAGE REPAIR**

**LAYOUT**  
**SCALE : AS SHOWN**  
 SHEET  
**L-2**  
 3 OF 4  
 W.C. No. **99454**

ORIGINAL SCALE IS IN INCHES  
 Drawing name: C:\Civil 3D\Projects\99454 LATROBE RAILROAD REPAIR\CADD Files\Production Drawings\Master.dwg Layout Tab: L-3 Nov 05 2019 6:08am SiteVey  
 FOR REDUCED PLANS

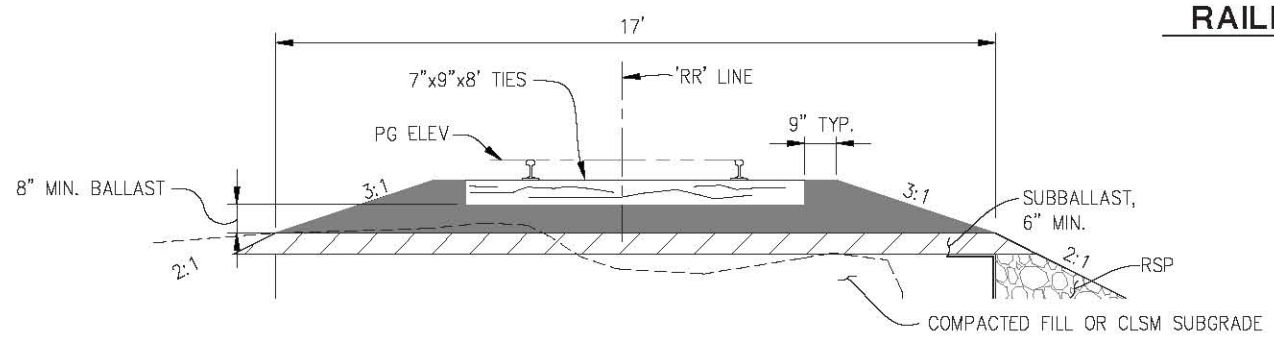


**RAILROAD RECONSTRUCTION - PLAN**  
SCALE: 1"=10'



**RAILROAD RECONSTRUCTION - PROFILE**  
SCALE: 1"=10' H,V

BALLAST QUANTITY		
LOCATION	QTY	REFERENCE
WASHOUT REPAIR SITE	136 CY	L-4
MISC & ERODED AREAS (AS DIRECTED BY ENGINEER)	40 CY	L-1
<b>TOTAL</b>	<b>176 CY</b>	



**RAILROAD - TYPICAL SECTION**  
NTS

**RAILROAD RECONSTRUCTION**  
SCALE : AS SHOWN

REVISION	NUMBER	DATE	DESCRIPTION	BY

PREPARED UNDER THE SUPERVISION OF :  
 REGISTERED CIVIL ENGINEER  
 DATE:

DESIGNED: JOB SGM  
 DRAWN: SGM  
 CHECKED: JOB  
 DATE: 10/22/19  
 ROAD NUMBER:



**COUNTY OF EL DORADO**  
**DEPARTMENT OF TRANSPORTATION**

**LATROBE RAILROAD**  
**STORM DAMAGE REPAIR**

SHEET  
**L-3**  
 4 OF 4  
 W.C. No. **99454**

INDEX OF SHEETS

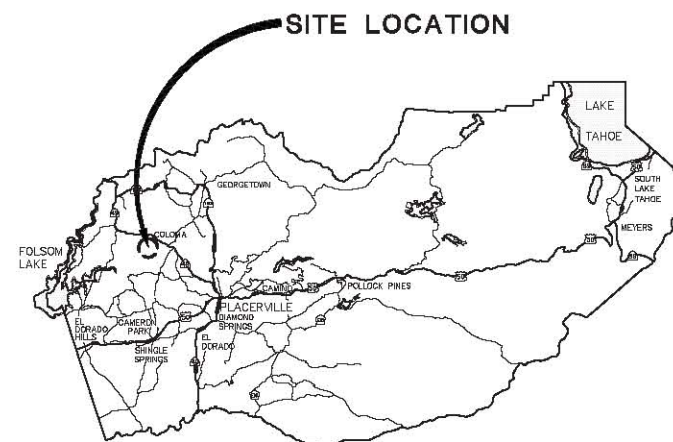
SHEET	PLAN SHEET	TITLE
1		TITLE SHEET
2	L-1	LAYOUT
3	L-2	LAYOUT
4	C-1	CONSTRUCTION DETAILS

COUNTY OF EL DORADO, CA  
DEPARTMENT OF TRANSPORTATION

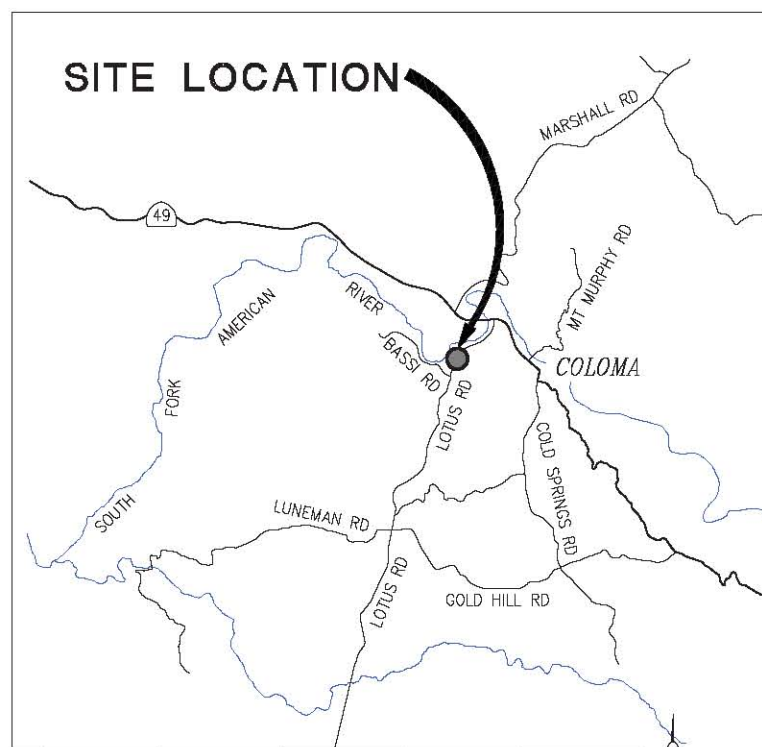
PROJECT PLANS FOR THE CONSTRUCTION OF  
**HENNINGSEN LOTUS PARK  
RIVERBANK RESTORATION**

IN THE COUNTY OF EL DORADO, DISTRICT 4  
APPROX 1.4 MILES NORTHWEST OF THE TOWN OF COLOMA

To be supplemented with Standard Plans and Specifications dated 2015, including the 2015 Revised Standard Specifications, of the California Department of Transportation, unless otherwise noted.



**VICINITY MAP**  
COUNTY OF EL DORADO



**LOCATION MAP**  
NOT TO SCALE

CONTRACTOR'S LICENSE CLASSIFICATION: Bidders shall be properly licensed to perform the Work pursuant to the State Contractor's License Act (Business and Professions Code section 7000 et seq.) and shall possess a CLASS A LICENSE or equivalent combination of Classes required by the categories and type of Work included in the Contract Documents and Plans. Failure of the successful Bidder to obtain proper and adequate licensing at the time bids are submitted shall constitute a failure to execute the Contract, and forfeiture as provided under that section.

REVISIONS		
MARK	DATE	BY



**BOARD OF SUPERVISORS**

JOHN HIDAHL	I
SHIVA FRENTZEN	II
BRIAN VEERKAMP	III
LORI PARLIN	IV
SUE NOVASEL	V

**COUNTY OF EL DORADO  
DEPARTMENT OF TRANSPORTATION**

(530) 621-5900  
2850 FAIRLAKE CT  
PLACERVILLE, CA 95667

ADOPTED AND APPROVED BY:

SUE NOVASEL, CHAIR, EL DORADO COUNTY BOARD OF SUPERVISORS  
DATE: \_\_\_\_\_

APPROVED BY:

RAFAEL MARTINEZ, DIRECTOR, DEPARTMENT OF TRANSPORTATION  
DATE: \_\_\_\_\_

MATTHEW D. SNEITZER, P.E. NO. C55832  
DEPUTY DIRECTOR, ENGINEERING  
DATE: \_\_\_\_\_

**FEMA PROJECT No.**

ELELG56

CONTRACT NO. 4025 CIP NO. 99455

**HENNINGSEN LOTUS PARK  
RIVERBANK RESTORATION**

**TITLE SHEET**

SHEET 1 OF 4

ORIGINAL SCALE IS IN INCHES  
 Drawing name: C:\Civil 3D Projects\99455 LOTUS PARK STREAMBANK RESTORE\CADD Files\Sheets\1-Sheets.dwg Layout: Tab: L-1 Oct. 22, 2019 12:04pm Shikley  
 FOR REDUCED PLANS  
 REVISION



SEE SHEET H-2

**NOTES:**

- REFER TO SHEETS H-1 AND H-2 FOR APPROXIMATE LOCATIONS OF RSP, SHOULDER BACKING AND DECOMPOSED GRANITE PLACEMENT.
- DIMENSIONS AND QUANTITIES SHOWN AT LOCATION(S) ARE APPROXIMATE. ACTUAL PLACEMENT LIMITS AND LOCATIONS WILL BE DETERMINED BY ENGINEER.
- "RSP CL III/CL IV" INDICATES AN AGGREGATE SIZING OF RSP MATERIAL THAT IS COMPOSED OF BOTH CL III & CL IV SIZING (APPROXIMATELY 40/60 SPLIT OR AS DETERMINED BY ENGINEER)
- APPROXIMATELY 3 EA. "PEDESTRIAN PATHS" MUST BE MADE AVAILABLE IN THE FINAL RSP SLOPE CONFIGURATION. LIMITS OF THE RSP & CONFIGURATION DETAILS OF THE PEDESTRIAN PATHS WILL BE DETERMINED BY ENGINEER.
- ADDITIONAL SHOULDER BACKING MATERIAL MAY BE NEEDED IN EXCESS OF THE AVAILABLE MATERIAL SHOWN ON SHEET H-1.
- REFER TO SHEET H-3 FOR CONSTRUCTION DETAILS.



QUANTITIES ALONG RIVERBANK SLOPE				
LOCATION	APPROXIMATE DIMENSIONS	RSP CL III/CL IV (METHOD B)	SHLD BACKING	DG (CY)
1	APPROX. 400' LONG X (VARIES 3'-20') WIDE X 3' THICK (AVG)	650 CY		
2	SHOULDER BACKING AT BACK OF WALK (AS NEEDED/SHOWN) 500 LF X (VARIES 0-6") X WIDTH AS SHOWN ON SHEET H-3		20 CY	
3	75' LONG X (VARIES 3'-12') WIDE X 3' DEEP	100 CY		15 CY
TOTAL		750 CY	20 CY	15 CY


NUMBER	DATE	DESCRIPTION	BY

PREPARED UNDER THE SUPERVISION OF :

REGISTERED CIVIL ENGINEER

DATE:

DESIGNED: JIB  
DRAWN: SGM  
CHECKED: JIB  
DATE: 10/22/19  
ROAD NUMBER: -

  
**COUNTY OF EL DORADO**  
**DEPARTMENT OF TRANSPORTATION**

**HENNINGSEN LOTUS PARK**  
**RIVERBANK RESTORATION**

LAYOUT SCALE : AS SHOWN

SHEET L-1  
2 OF 4  
W.D. No. 99455

ORIGINAL SCALE IS IN INCHES  
 Drawing name: C:\Civil 3D Projects\99455 LOTUS PARK STREAMBANK RESTORE\CADD Files\Sheets\L-2-Sheets.dwg Layout Tab: L-2 Oct 22, 2019 12:04pm SMC/vey  
 FOR REDUCED PLANS  
 2  
 1  
 0

SEE SHEET H-1



**SITE PLAN**

SCALE: 1"=40'

LAYOUT  
SCALE : AS SHOWN

REVISION	NUMBER	DATE	DESCRIPTION	BY

PREPARED UNDER THE SUPERVISION OF :	DESIGNED: JB	DRAWN: SGM
REGISTERED CIVIL ENGINEER	CHECKED: JB	DATE: 10/22/19
DATE:	ROAD NUMBER:	-

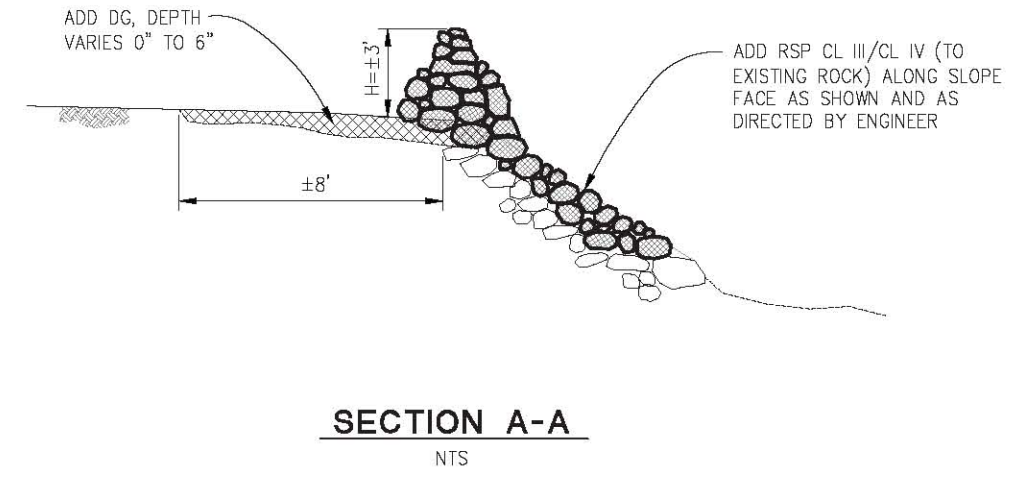
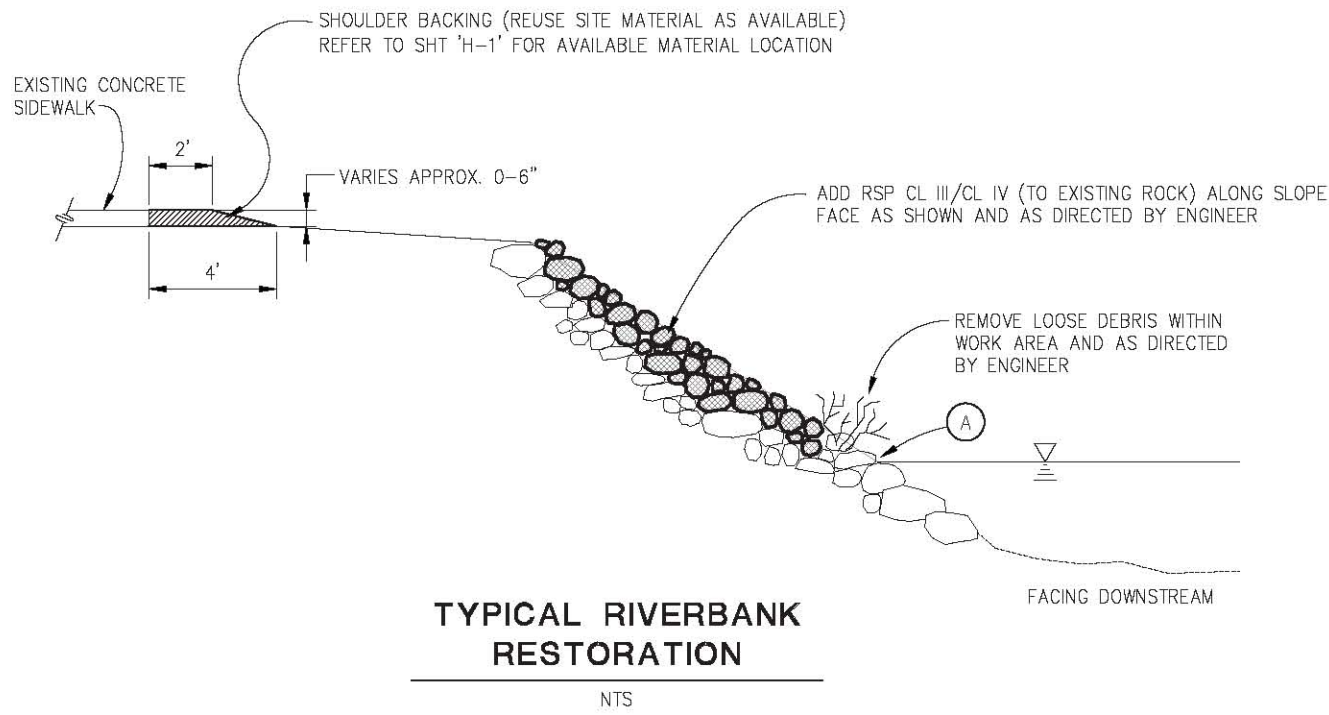


COUNTY OF EL DORADO  
DEPARTMENT OF TRANSPORTATION

HENNINGSEN LOTUS PARK  
RIVERBANK RESTORATION

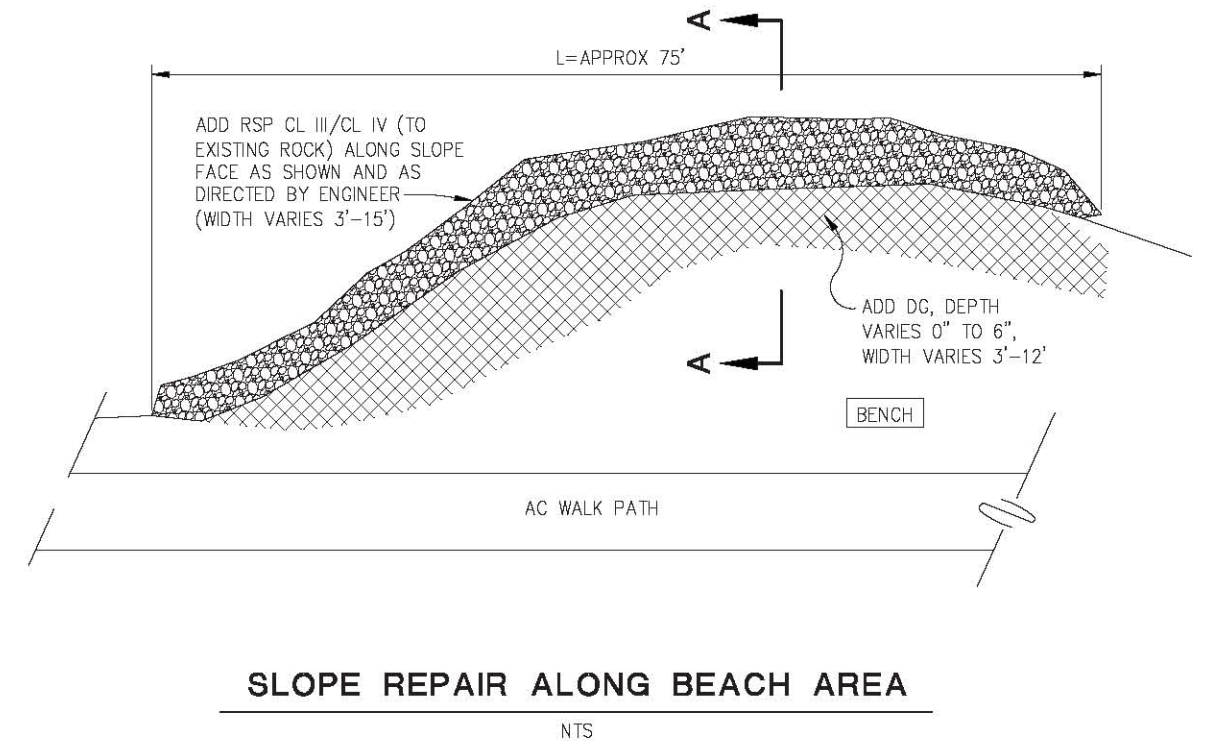
SHEET	L-2
3 OF 4	
W.G. No.	99455

ORIGINAL SCALE IS IN INCHES  
 Drawing name: C:\Civil 3D Projects\99455 LOTUS PARK STREAMBANK RESTORE\CADD Files\Sheets\C-Sheets.dwg Layout Tab: C-1 Oct 22, 2019 12:06pm SMC\ey  
 FOR REDUCED PLANS  
 2  
 1  
 0



**CONSTRUCTION NOTES:**

- (A) — ALL CONSTRUCTION ACTIVITIES AND WORK AREA MUST REMAIN ABOVE THE PEAK WATER LEVEL AT ALL TIMES



REVISION	NUMBER	DATE	DESCRIPTION	BY

PREPARED UNDER THE SUPERVISION OF :	DESIGNED: JB	DRAWN: SGM
REGISTERED CIVIL ENGINEER	CHECKED: JB	DATE: 10/22/19
DATE:	ROAD NUMBER:	-



**COUNTY OF EL DORADO  
DEPARTMENT OF TRANSPORTATION**

**HENNINGSEN LOTUS PARK  
RIVERBANK RESTORATION**

**CONSTRUCTION DETAILS  
SCALE : AS SHOWN**

SHEET	C-1
4 OF 4	
W.C. No.	99455