

COUNTY OF EL DORADO, CA DEPARTMENT OF TRANSPORTATION

PROJECT PLANS FOR THE CONSTRUCTION OF EL DORADO HILLS BLVD SARATOGA WAY TURN LANES

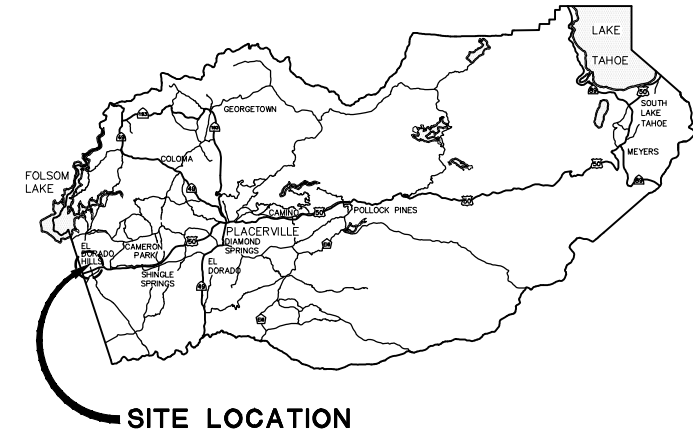
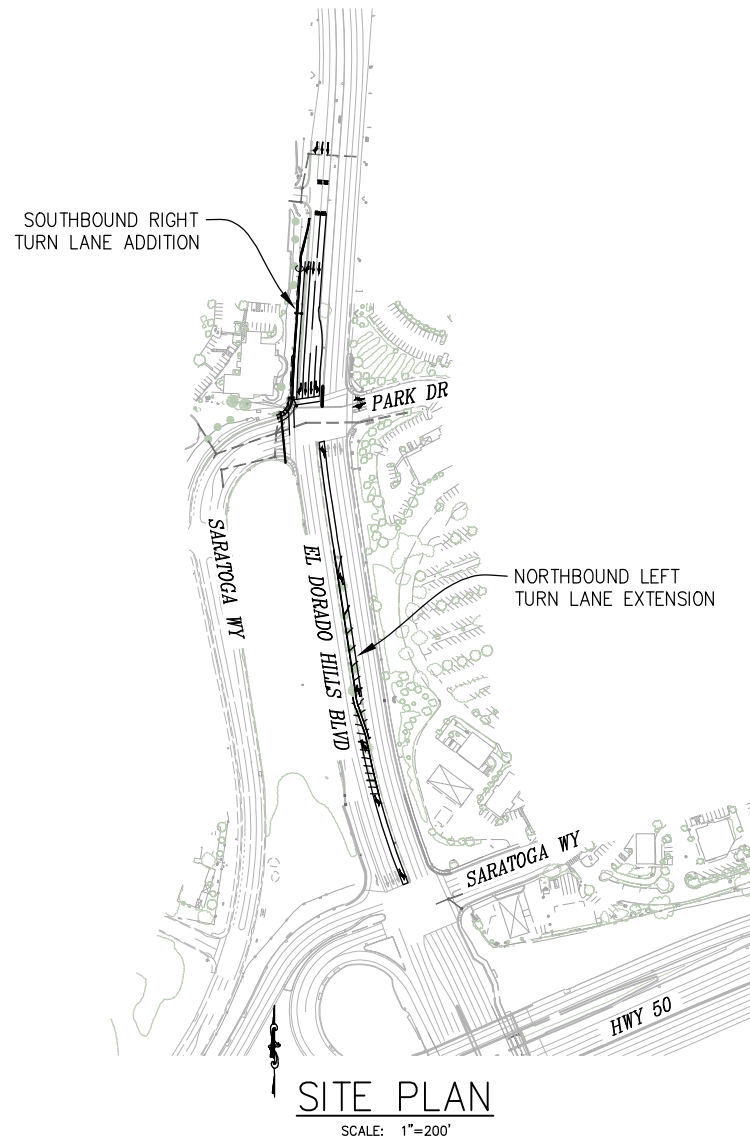
IN THE COUNTY OF EL DORADO, DISTRICT I
IMMEDIATELY NORTH OF THE HWY 50/EL DORADO HILLS BLVD INTERCHANGE
To be supplemented with Standard Plans and Specifications dated 2022
of the California Department of Transportation, unless otherwise noted.

INDEX OF SHEETS

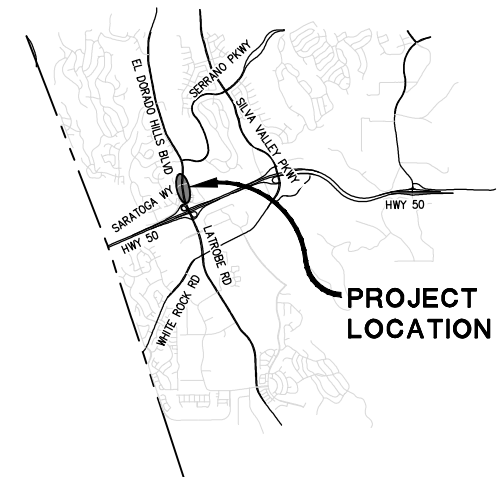
SHEET	PLAN SHEET	TITLE
1		TITLE SHEET
2	CD-1	SURVEY AND CONTROL DIAGRAM
3	X-1	TYPICAL SECTIONS
4-9	L-1 THRU L-6	LAYOUT
10	D-1	DRAINAGE
11	RW-1	RETAINING WALL
12-13	SPD-1 THRU SPD-2	SIGNING AND PAVEMENT DELINEATION
14-16	U-1 THRU U-3	UTILITY RELOCATION

CONTRACTOR'S LICENSE CLASSIFICATION: Bidders shall be properly licensed to perform the Work pursuant to the State Contractor's License Act (Business and Professions Code section 7000 et seq.) and shall possess a CLASS A LICENSE or equivalent combination of Classes required by the categories and type of Work included in the Contract Documents and Plans. Failure of the successful Bidder to obtain proper and adequate licensing at the time bids are submitted shall constitute a failure to execute the Contract, and forfeiture as provided under that section.

REVISIONS		
MARK	DATE	BY



VICINITY MAP
COUNTY OF EL DORADO



LOCATION MAP
NOT TO SCALE

FUNDING AGENCY

SUBMITTED BY: _____ DATE _____
CIVIL ENGINEER
STATE OF CALIFORNIA NO. _____

BOARD OF SUPERVISORS

JOHN HIDAHL	I
GEORGE TURNBOO	II
WENDY THOMAS	III
LORI PARLIN	IV
BROOKE LAINE	V

**COUNTY OF EL DORADO
DEPARTMENT OF TRANSPORTATION**

(530) 621-5900
2850 FAIRLANE CT
PLACERVILLE, CA 95667

ADOPTED AND APPROVED BY:

WENDY THOMAS CHAIR, EL DORADO COUNTY BOARD OF SUPERVISORS	DATE _____
APPROVED BY:	DATE _____
RAFAEL MARTINEZ, DIRECTOR DEPARTMENT OF TRANSPORTATION	DATE _____
JOHN KAHLING P.E. NO. C52426 DEPUTY DIRECTOR, ENGINEERING	DATE _____

CONTRACT NO. 7447 CIP NO. 36105076

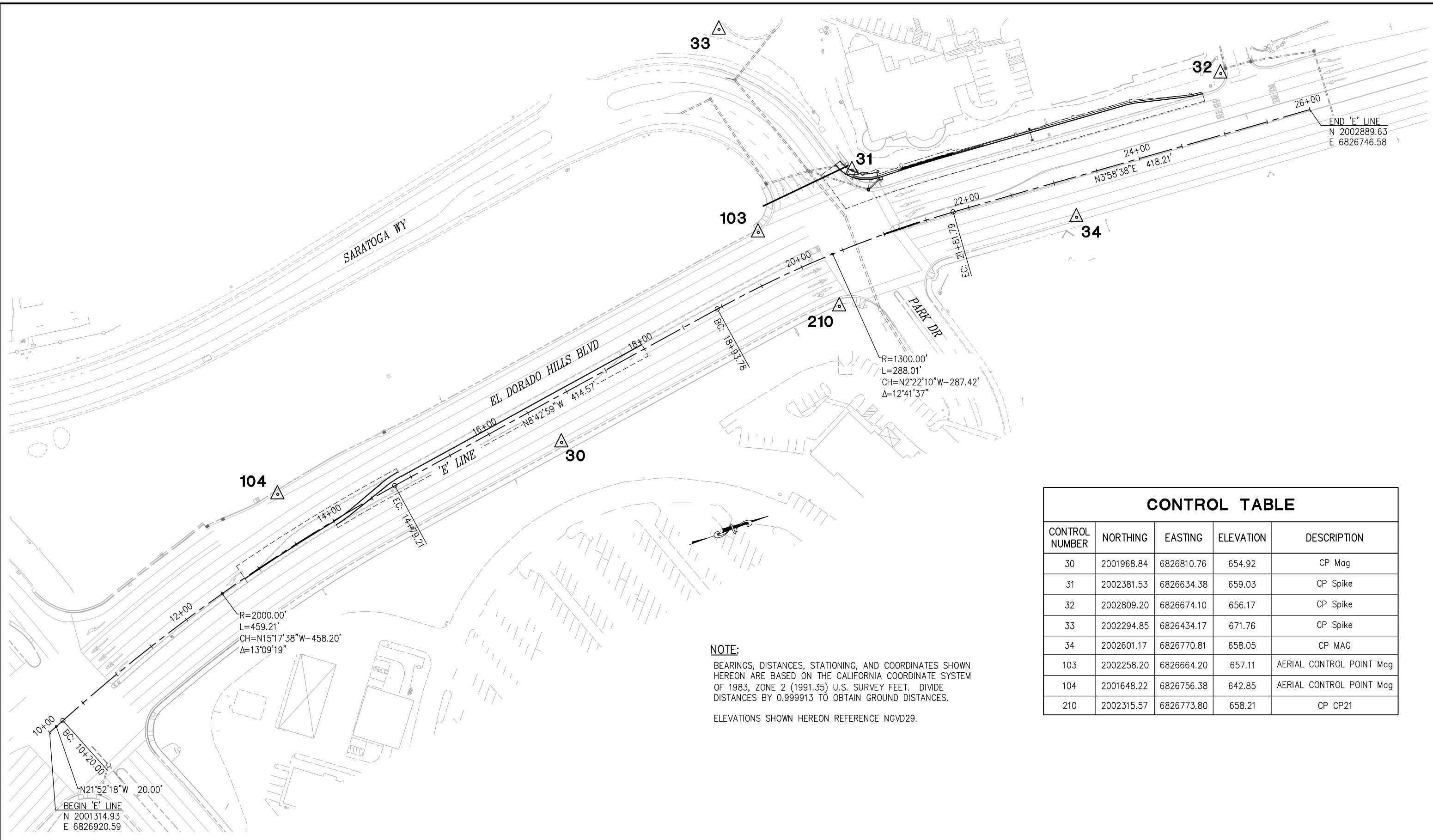
**EL DORADO HILLS BLVD
SARATOGA WAY TURN LANES**

TITLE SHEET

SHEET **1** OF **16**

Drawing name: Z:\Civil 3D Projects\36105076 El Dorado Hills Blvd and Saratoga Way Left Turn Lanes\CADD Files\Consultant Data\Cadre Updates 4:23,24\Title Sheet.dwg Layout Tab: Title Apr 30,2024 - 9:50am jujano

ORIGINAL SCALE IS IN INCHES
 Drawing name: Z:\Civil 3D Projects\36105076 El Dorado Hills Blvd and Saratoga Wy Left Turn Lanes\CADD Files\Consultant Data\Cadre Updates 4.23.24\CD-Sheets.dwg Layout Tab: CD-1 Apr 30,2024 9:21 AM
 FOR REDUCED PLANS



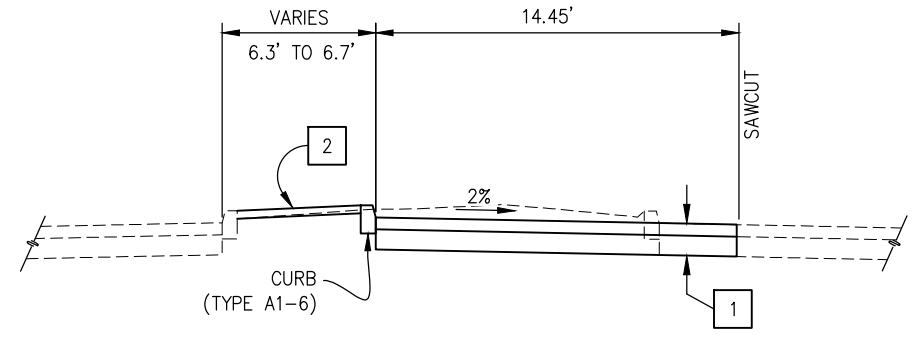
NOTE:
 BEARINGS, DISTANCES, STATIONING, AND COORDINATES SHOWN HEREON ARE BASED ON THE CALIFORNIA COORDINATE SYSTEM OF 1983, ZONE 2 (1991.35) U.S. SURVEY FEET. DIVIDE DISTANCES BY 0.999913 TO OBTAIN GROUND DISTANCES.
 ELEVATIONS SHOWN HEREON REFERENCE NGVD29.

CONTROL TABLE				
CONTROL NUMBER	NORTHING	EASTING	ELEVATION	DESCRIPTION
30	2001968.84	6826810.76	654.92	CP Mag
31	2002381.53	6826634.38	659.03	CP Spike
32	2002809.20	6826674.10	656.17	CP Spike
33	2002294.85	6826434.17	671.76	CP Spike
34	2002601.17	6826770.81	658.05	CP MAG
103	2002258.20	6826664.20	657.11	AERIAL CONTROL POINT Mag
104	2001648.22	6826756.38	642.85	AERIAL CONTROL POINT Mag
210	2002315.57	6826773.80	658.21	CP CP21

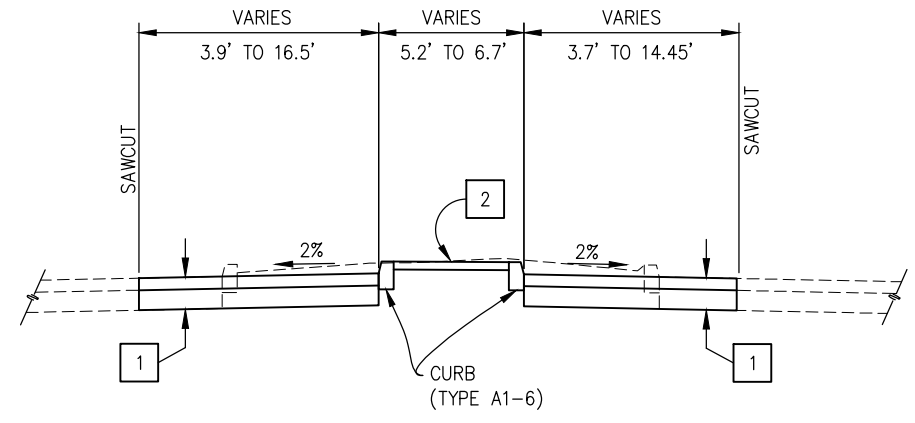
SURVEY AND CONTROL DIAGRAM
 SCALE : 1" = 50'

REVISION NUMBER DATE DESCRIPTION BY		PREPARED UNDER THE SUPERVISION OF : Chandra Ghimire REGISTERED CIVIL ENGINEER DATE: 04/30/24	DESIGNED: CG DRAWN: SGM CHECKED: CG DATE: 11/08/22 ROAD NUMBER: 219		COUNTY OF EL DORADO DEPARTMENT OF TRANSPORTATION	EL DORADO HILLS BLVD SARATOGA WAY TURN LANES	SHEET CD-1 2 OF 16 W.O. No. 36105076
							24-0980 C 2 of 16

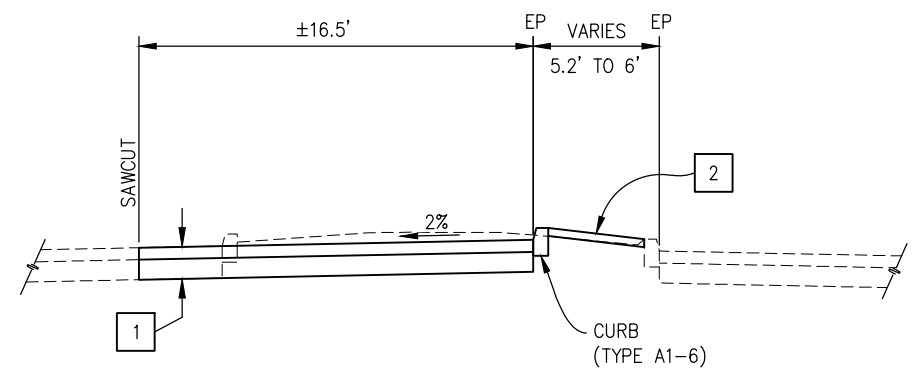
ORIGINAL SCALE IS IN INCHES
 Drawing name: Z:\Civil 3D Projects\36105076 El Dorado Hills Blvd and Saratoga Wy Left Turn Lanes\CADD Files\Consultant Data\Cadre Updates 4.23.24\X-Sheets.dwg Layout Tab: X-1 Apr 30, 2024 9:22 AM
 FOR REDUCED PLANS
 REVISION
 NUMBER DATE DESCRIPTION BY



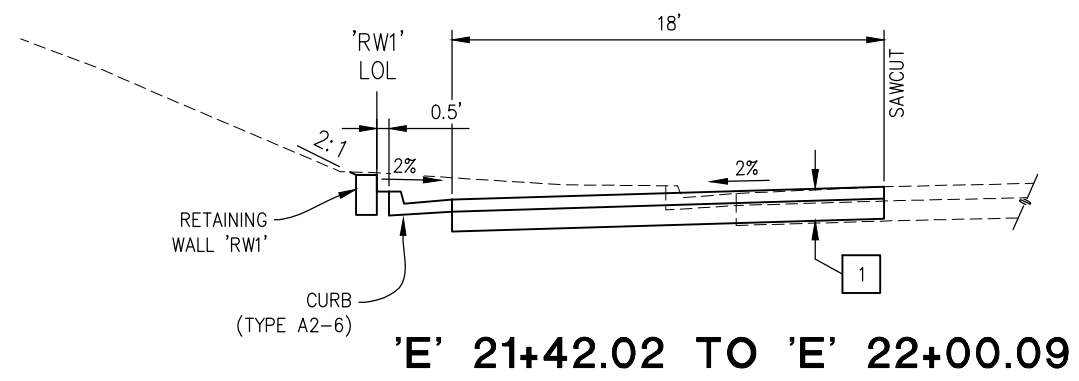
'E' 14+90.00 TO 'E' 18+00.00



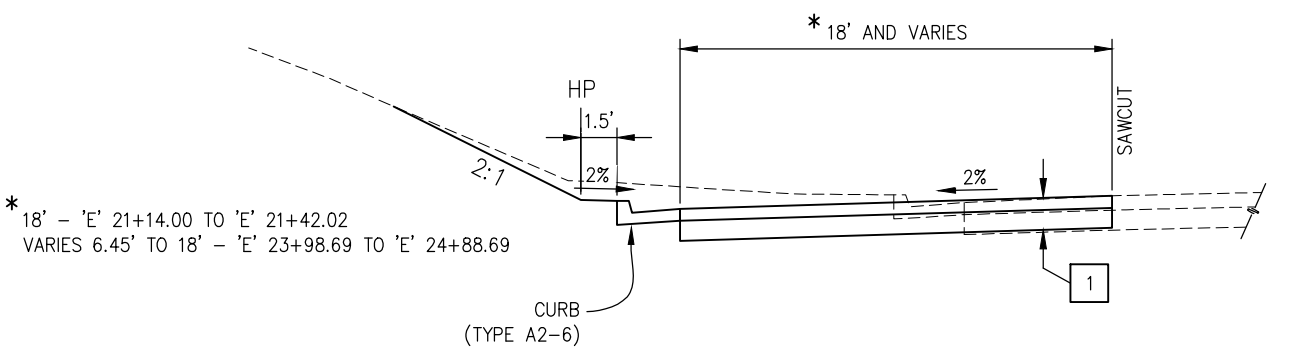
'E' 14+00.00 TO 'E' 14+90.00



'E' 12+80.36 TO 'E' 14+00.00

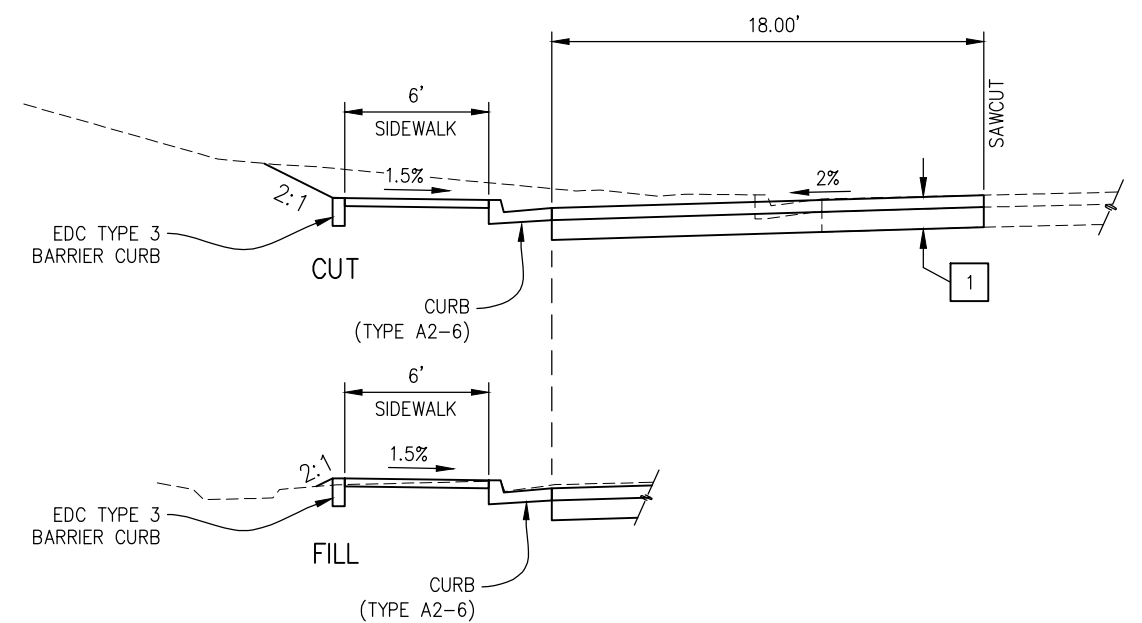


'E' 21+42.02 TO 'E' 22+00.09



**'E' 21+14.00 TO 'E' 21+42.02
'E' 22+00.09 TO 'E' 24+88.69**

* 18' - 'E' 21+14.00 TO 'E' 21+42.02
 VARIES 6.45' TO 18' - 'E' 23+98.69 TO 'E' 24+88.69



'E' 20+76.12 TO 'E' 21+14.37

CONSTRUCTION NOTES:

- 1 - 6" HMA (TYPE A)
10" AB (CLASS 2)
- 2 - 4" PCC TEXTURED MEDIAN
("ASHLAR" PATTERN TO MATCH EXISTING MEDIAN)

**TYPICAL SECTIONS
SCALE : NONE**



PREPARED UNDER THE SUPERVISION OF:
Chandras Ghimire
 REGISTERED CIVIL ENGINEER
 DATE: 04/30/24

DESIGNED: CG
 DRAWN: SGM
 CHECKED: CG
 DATE: 03/29/22
 ROAD NUMBER: 219

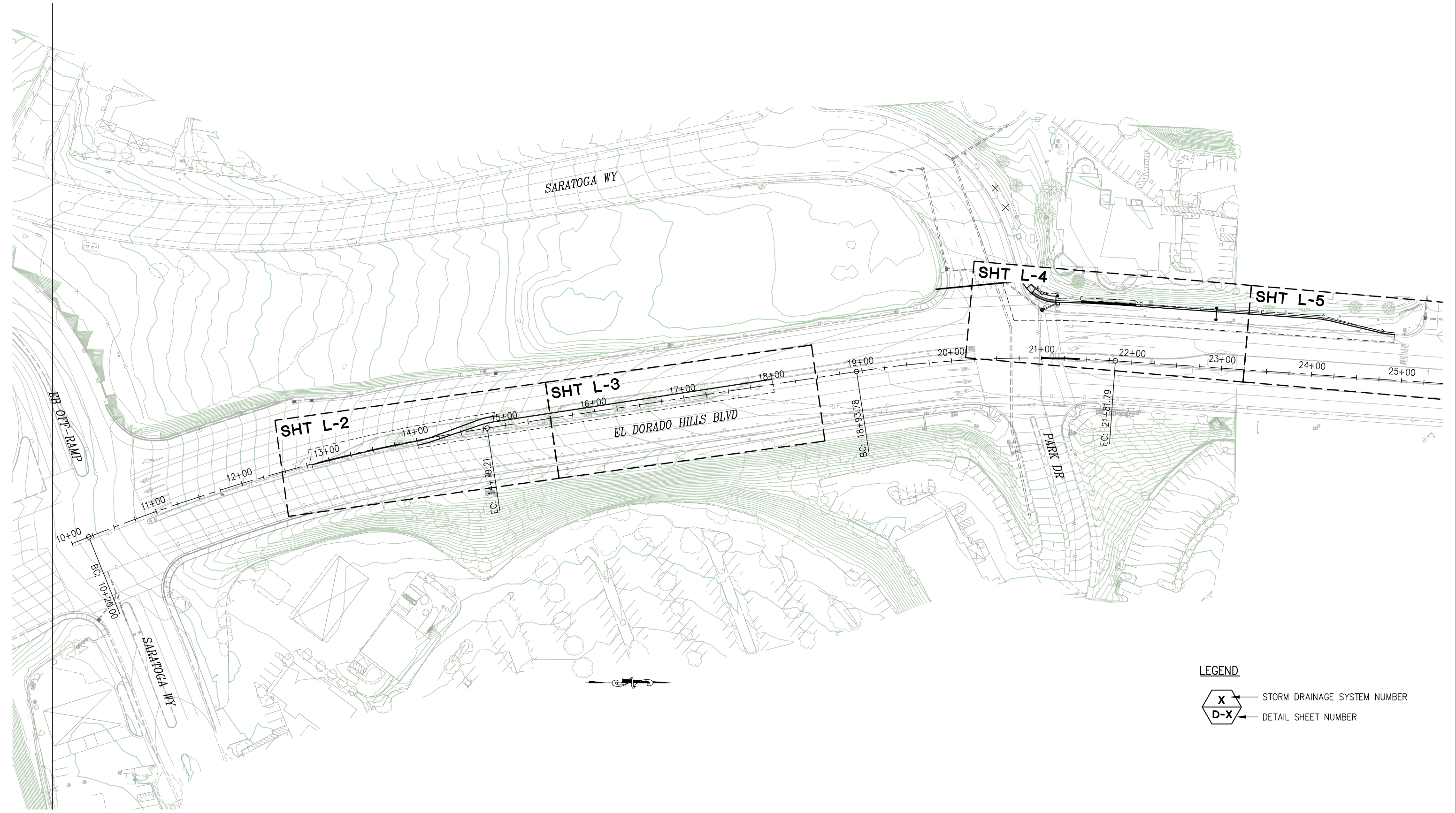


**COUNTY OF EL DORADO
DEPARTMENT OF TRANSPORTATION**

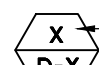

**EI DORADO HILLS BLVD
SARATOGA WAY TURN LANES**

SHEET
X-1
 3 OF 16
 W.O. No. 36105076

ORIGINAL SCALE IS IN INCHES
 Drawing name: Z:\Civil 3D Projects\36105076 El Dorado Hills Blvd and Saratoga Wy Left Turn Lanes\CADD Files\Consultant Data\Cadre Updates 4.23.24\1- Streets.dwg Layout Tab: L-1 Apr 30, 2024 9:23
 FOR REDUCED PLANS
 REVISION



LEGEND

 STORM DRAINAGE SYSTEM NUMBER
 DETAIL SHEET NUMBER

LAYOUT - KEY MAP
SCALE : 1" = 50'

REVISION	NUMBER	DATE	DESCRIPTION	BY



PREPARED UNDER THE SUPERVISION OF :

Chandra Ghimire

REGISTERED CIVIL ENGINEER

DATE: 04/30/24

DESIGNED: CG	DRAWN: SGM
CHECKED: CG	DATE: 11/08/22
ROAD NUMBER: 219	

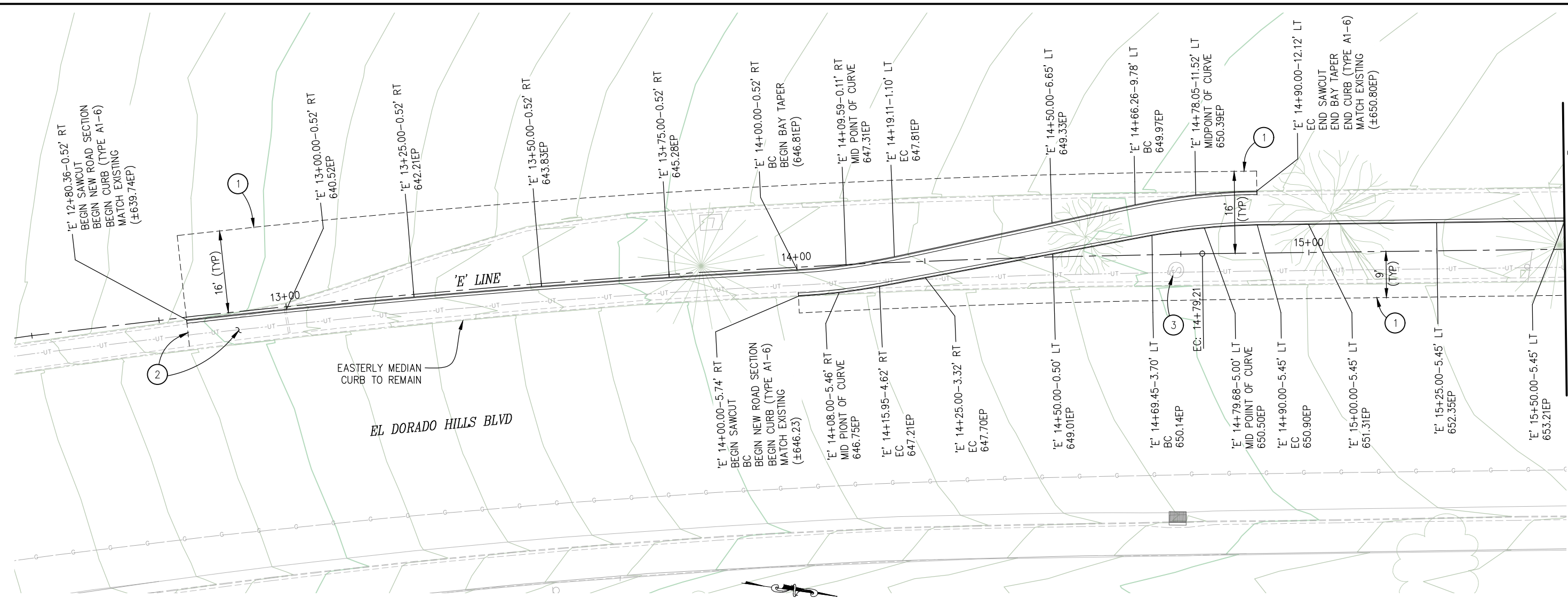


COUNTY OF EL DORADO
DEPARTMENT OF TRANSPORTATION

EI DORADO HILLS BLVD
SARATOGA WAY TURN LANES

SHEET
L-1
4 OF 16
W.O. No.
36105076

ORIGINAL SCALE IS IN INCHES
 Drawing name: Z:\Civil 3D Projects\36105076 El Dorado Hills Blvd and Saratoga Way Left Turn Lanes\CADD Files\Consultant Data\Cadre Updates 4.23.24\L-2 Streets.dwg Layout Tab: L-2 Apr 30, 2024 9:23 AM
 FOR REDUCED PLANS
 REVISION



EL DORADO HILLS BLVD - PLAN

SCALE: 1"=10'

GENERAL NOTES:

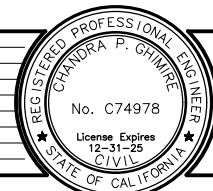
1. UNLESS OTHERWISE NOTED: STATIONS, OFFSETS, AND GRADES ALONG TYPE A1-6 CURB ARE TO EDGE OF PAVEMENT (EP)
2. REMOVE ALL MEDIAN LANDSCAPING AND VEGETATION MATERIAL BETWEEN STATIONS 'E' 12+80.36 AND 'E' 18+00.00
3. CUT AND CAP ALL IRRIGATION INCLUDING ELECTRICAL CONNECTION AS DIRECTED BY THE ENGINEER

CONSTRUCTION NOTES:

- ① — SAWCUT TO A CLEAN UNIFORM LINE
- ② — SAWCUT MEDIAN AND REMOVE INTERIOR BRICK WORK WITHIN SAWCUT LIMITS. EASTERLY CURB TO REMAIN
- ③ — RESET MANHOLE LID TO GRADE

LAYOUT
SCALE : 1" = 10'

NUMBER	DATE	DESCRIPTION	BY



PREPARED UNDER THE SUPERVISION OF:
Chandra Ghimire
 REGISTERED CIVIL ENGINEER
 License Expires 04/30/24

DESIGNED: CG
 CHECKED: CG
 ROAD NUMBER: 219
 DRAWN: SGM
 DATE: 11/08/22



**COUNTY OF EL DORADO
 DEPARTMENT OF TRANSPORTATION**

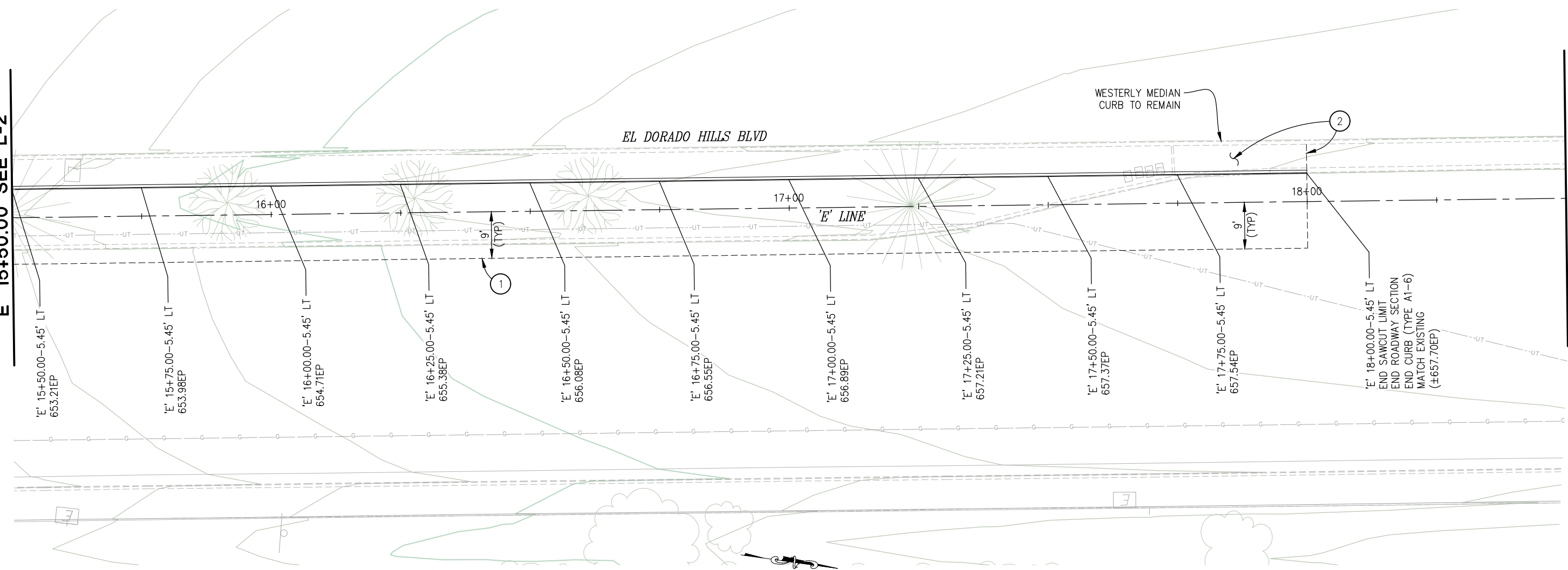
**EI DORADO HILLS BLVD
 SARATOGA WAY TURN LANES**

SHEET
L-2
5 OF 16
W.O. No. **36105076**

ORIGINAL SCALE IS IN INCHES
 Drawing name: Z:\Civil 3D Projects\36105076 El Dorado Hills Blvd and Saratoga Wy Left Turn Lanes\CADD Files\Consultant Data\Cadre Updates 4.23.24\--Streets.dwg Layout Tab: L-3 Apr 30, 2024 -- 9:23:23
 FOR REDUCED PLANS

'E' 15+50.00 SEE L-2

'E' 18+50.00 SEE L-4



EL DORADO HILLS BLVD - PLAN

SCALE: 1"=10'

GENERAL NOTES:

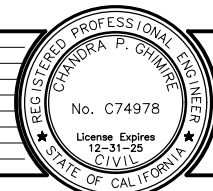
1. UNLESS OTHERWISE NOTED: STATIONS, OFFSETS, AND GRADES ALONG TYPE A1-6 CURB ARE TO EDGE OF PAVEMENT (EP)
2. REMOVE ALL MEDIAN LANDSCAPING, VEGETATION, AND IRRIGATION MATERIAL BETWEEN STATIONS 'E' 12+80.36 AND 'E' 18+00.00

CONSTRUCTION NOTES:

- ① — SAWCUT TO A CLEAN UNIFORM LINE
- ② — SAWCUT MEDIAN AND REMOVE INTERIOR BRICK WORK WITHIN SAWCUT LIMITS. WESTERLY CURB TO REMAIN

LAYOUT
SCALE : 1" = 10'

REVISION	NUMBER	DATE	DESCRIPTION	BY



PREPARED UNDER THE SUPERVISION OF:
Chandra Ghimire
 REGISTERED CIVIL ENGINEER
 DATE: 04/30/24

DESIGNED: CG	DRAWN: SGM
CHECKED: CG	DATE: 11/08/22
ROAD NUMBER: 219	

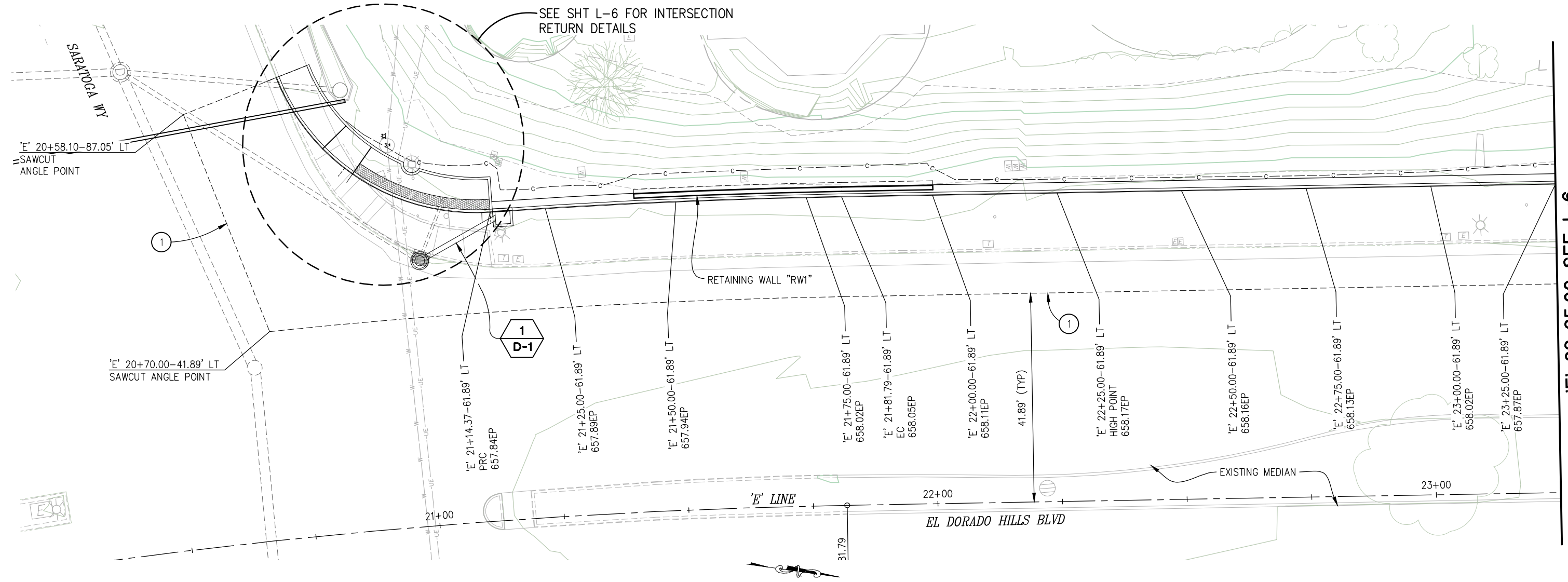


**COUNTY OF EL DORADO
 DEPARTMENT OF TRANSPORTATION**

**EI DORADO HILLS BLVD
 SARATOGA WAY TURN LANES**

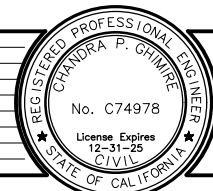
SHEET
L-3
6 OF 16
W.O. No. **36105076**

ORIGINAL SCALE IS IN INCHES
 Drawing name: Z:\Civil 3D Projects\36105076 El Dorado Hills Blvd and Saratoga Wy Left Turn Lanes\CADD Files\Consultant Data\Cadre Updates 4.23.24\L- Streets.dwg Layout Tab: L-4 Apr 30, 2024 9:23
 FOR REDUCED PLANS
 REVISION
 NUMBER DATE DESCRIPTION BY



EL DORADO HILLS BLVD - PLAN
SCALE: 1"=10'

- GENERAL NOTES:**
- UNLESS OTHERWISE NOTED: STATIONS, OFFSETS, AND GRADES ALONG TYPE A2-6 CURB & GUTTER ARE TO FLOW LINE (FL)
 - SEE 'U' SHEETS FOR UTILITY RELOCATION
- CONSTRUCTION NOTES:**
- ① — SAWCUT TO A CLEAN UNIFORM LINE



PREPARED UNDER THE SUPERVISION OF:
Chandra Ghimire
 REGISTERED CIVIL ENGINEER
 DATE: 04/30/24

DESIGNED: CG
 CHECKED: CG
 ROAD NUMBER: 219

DRAWN: SGM
 DATE: 11/08/22

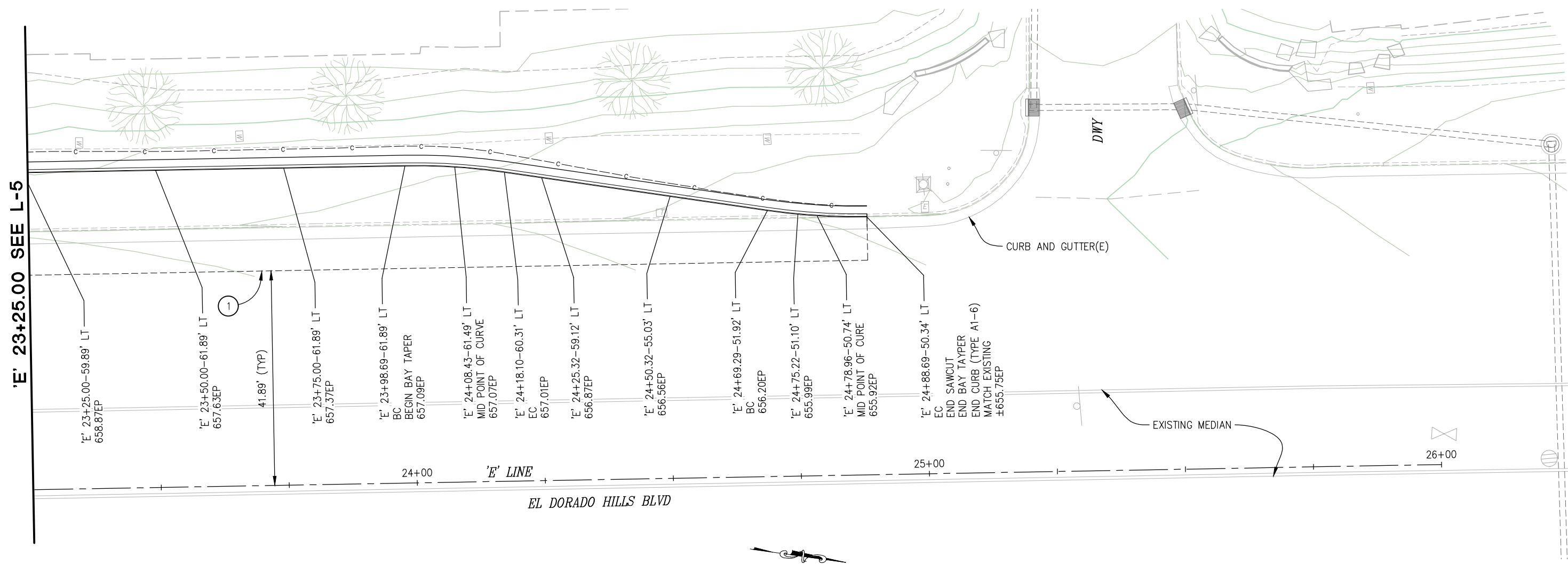


**COUNTY OF EL DORADO
 DEPARTMENT OF TRANSPORTATION**

**EI DORADO HILLS BLVD
 SARATOGA WAY TURN LANES**

LAYOUT
 SCALE : 1" = 10'
 SHEET
L-4
 7 OF 16
 W.O. No.
36105076

ORIGINAL SCALE IS IN INCHES
 Drawing name: Z:\Civil 3D Projects\36105076 El Dorado Hills Blvd and Saratoga Way Left Turn Lanes\CADD Files\Consultant Data\Cadre Updates 4.23.24\L-5 Streets.dwg Layout Tab: L-5 Apr 30, 2024 9:24 AM
 FOR REDUCED PLANS



EL DORADO HILLS BLVD - PLAN

SCALE: 1"=10'

GENERAL NOTES:

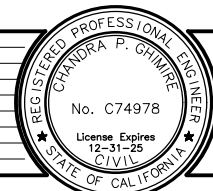
- UNLESS OTHERWISE NOTED: STATIONS, OFFSETS, AND GRADES ALONG TYPE A2-6 CURB & GUTTER ARE TO FLOW LINE (FL)
- SEE 'U' SHEETS FOR UTILITY RELOCATION

CONSTRUCTION NOTES:

- ① — SAWCUT TO A CLEAN UNIFORM LINE

LAYOUT
SCALE : 1" = 10'

REVISION	NUMBER	DATE	DESCRIPTION	BY



PREPARED UNDER THE SUPERVISION OF:
Chandra Ghimire
 REGISTERED CIVIL ENGINEER
 DATE: 04/30/24

DESIGNED: CG
 CHECKED: CG
 ROAD NUMBER: 219

DRAWN: SGM
 DATE: 11/08/22

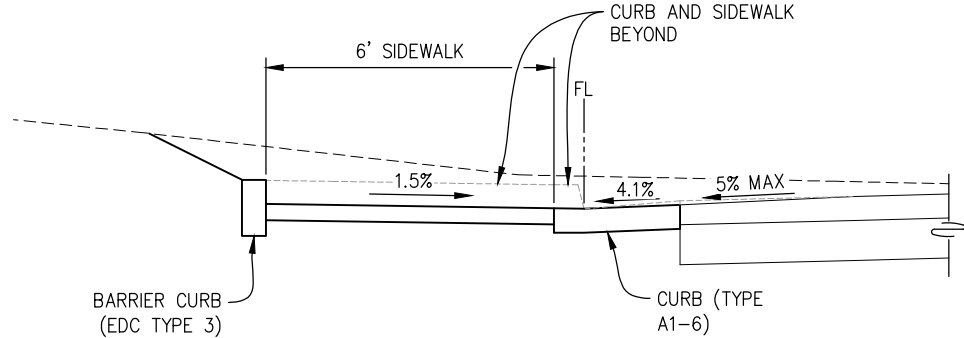
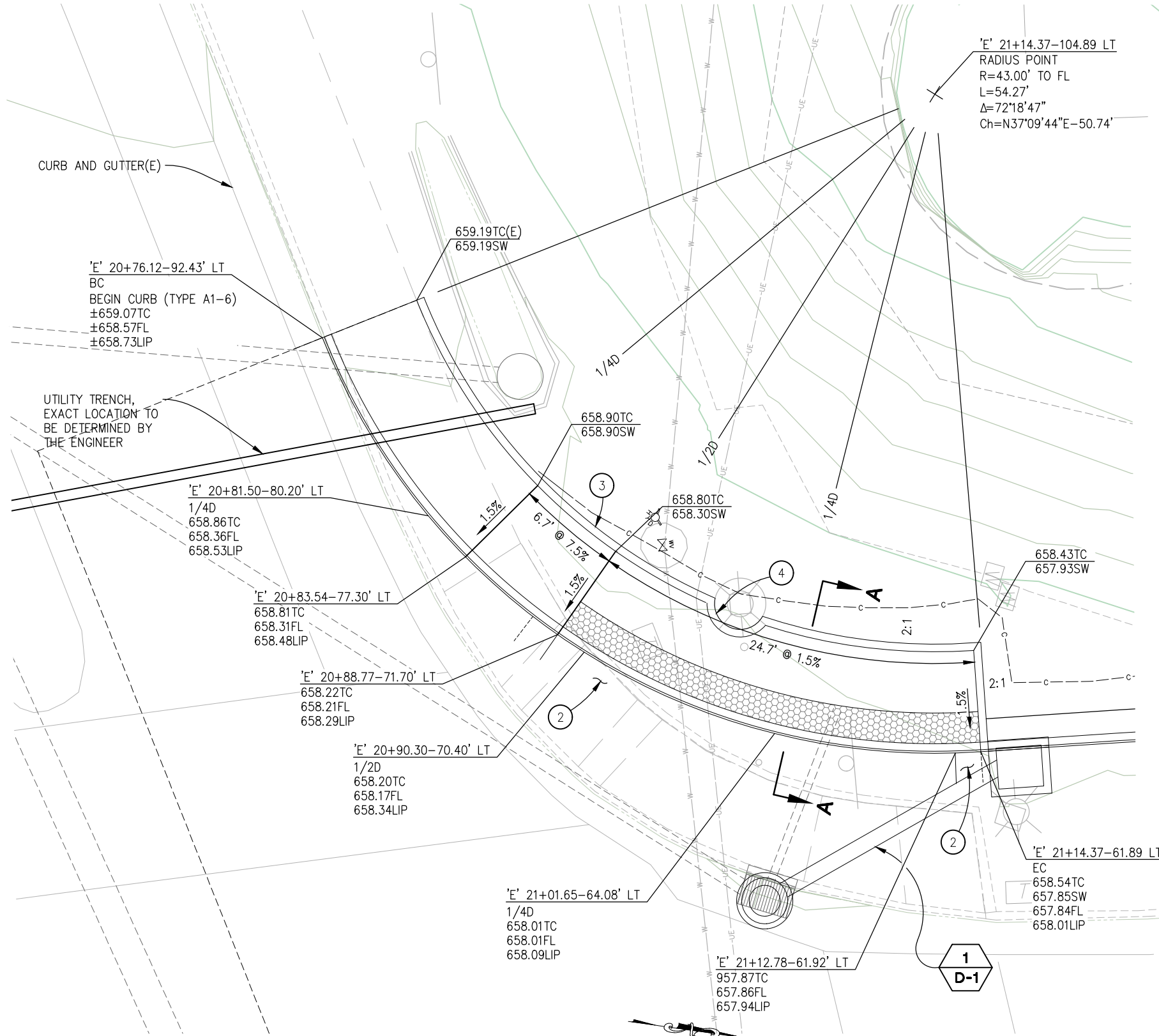


COUNTY OF EL DORADO
DEPARTMENT OF TRANSPORTATION

EI DORADO HILLS BLVD
SARATOGA WAY TURN LANES

SHEET
L-5
 8 OF 16
 W.O. No.
36105076

ORIGINAL SCALE IS IN INCHES
 DRAWING NAME: Z:\Civil 3D Projects\36105076 El Dorado Hills Blvd and Saratoga Way Left Turn Lanes\CADD Files\Consultant Data\Cadre Updates 4.23.24\Layout Tab: L-6 Apr 30, 2024 - 9:24
 FOR REDUCED PLANS
 REVISION



SECTION A-A
NTS

SARATOGA WAY INTERSECTION CURB RETURN
SCALE: 1"=4'

GENERAL NOTES:

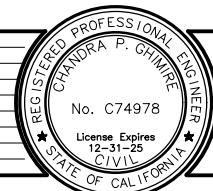
1. UNLESS OTHERWISE NOTE: STATIONS, OFFSETS, AND GRADES ALONG TYPE A2-6 CURB & GUTTER ARE TO FLOW LINE (FL)
2. SEE 'U' SHEETS FOR UTILITY RELOCATION

CONSTRUCTION NOTES:

- ① — SAWCUT TO A CLEAN UNIFORM LINE
- ② — 2' GUTTER CROSS SLOPE TRANSITION, 4.1% AT EDGE OF RAMP TO STANDARD TYPE A2-6 CURB SLOPE AT TRANSITION END. (LOWER LIP OF GUTTER TO ACHIEVE DESIRED CROSS SLOPE)
- ③ — EDC TYPE 3 BARRIER CURB
- ④ — FORM BARRIER CURB AROUND FOUNDATION OF EXISTING SIGNAL POLE AS NEEDED

LAYOUT
SCALE : 1" = 10'

NUMBER	DATE	DESCRIPTION	BY



PREPARED UNDER THE SUPERVISION OF:
Chandra Ghimire
REGISTERED CIVIL ENGINEER
DATE: 04/30/24

DESIGNED: CG DRAWN: SGM
CHECKED: CG DATE: 11/08/22
ROAD NUMBER: XXXX

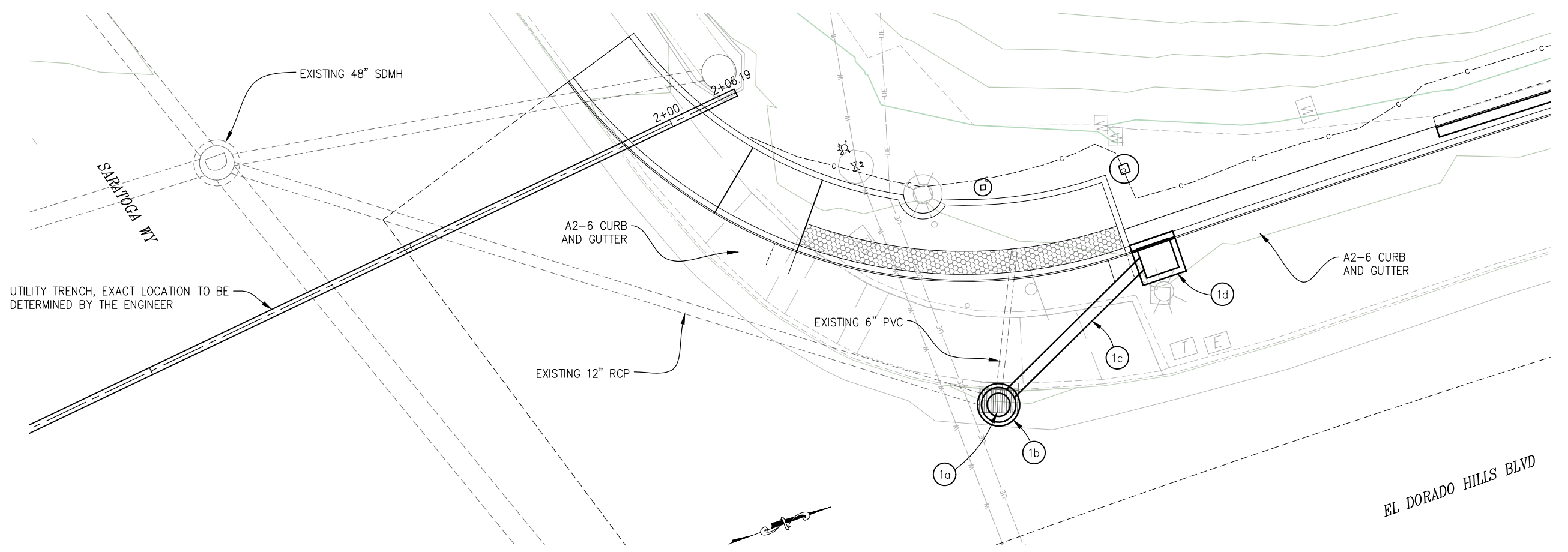


COUNTY OF EL DORADO
DEPARTMENT OF TRANSPORTATION

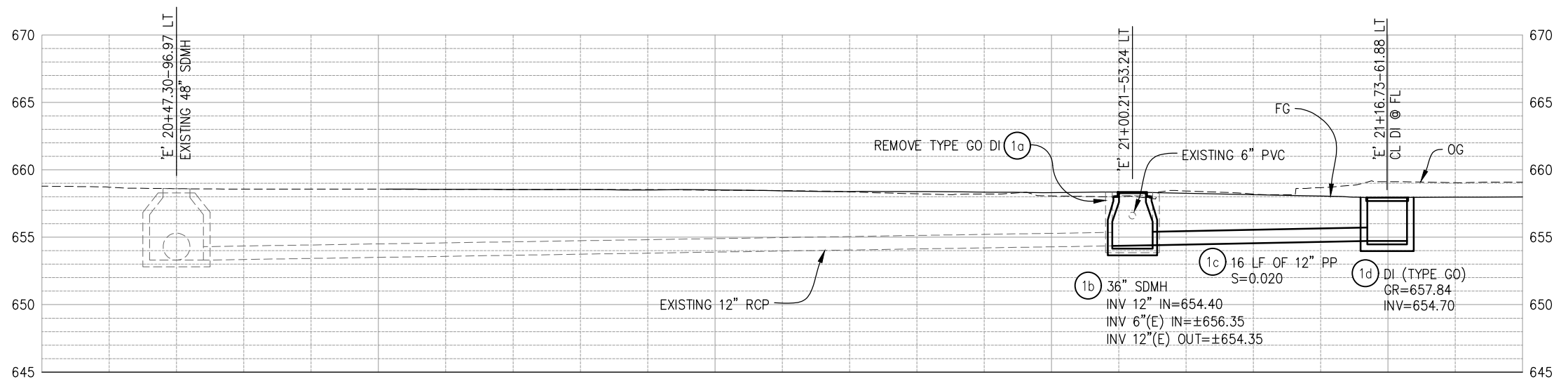
EI DORADO HILLS BLVD
SARATOGA WAY TURN LANES

SHEET
L-6
9 OF 16
W.O. No. **36105076**

ORIGINAL SCALE IS IN INCHES
 Drawing name: Z:\Civil 3D Projects\36105076 El Dorado Hills Blvd and Saratoga Wy Left Turn Lanes\CADD Files\Consultant Data\Cadre Updates 4.23.24\D-Sheets.dwg Layout Tab: D-1 Apr 30, 2024 10:40:24
 FOR REDUCED PLANS



SYSTEM 'SD1' - PLAN
SCALE: 1"=5'

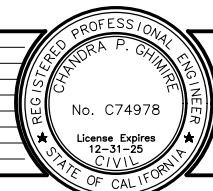


SYSTEM 'SD1' - PROFILE
SCALE: 1"=5' H,V

THIS SHEET ACCURATE FOR DRAINAGE WORK ONLY

DRAINAGE
SCALE : AS SHOWN

REVISION	NUMBER	DATE	DESCRIPTION	BY



PREPARED UNDER THE SUPERVISION OF :
Chandra Ghimire
 REGISTERED CIVIL ENGINEER
 DATE: 04/30/24

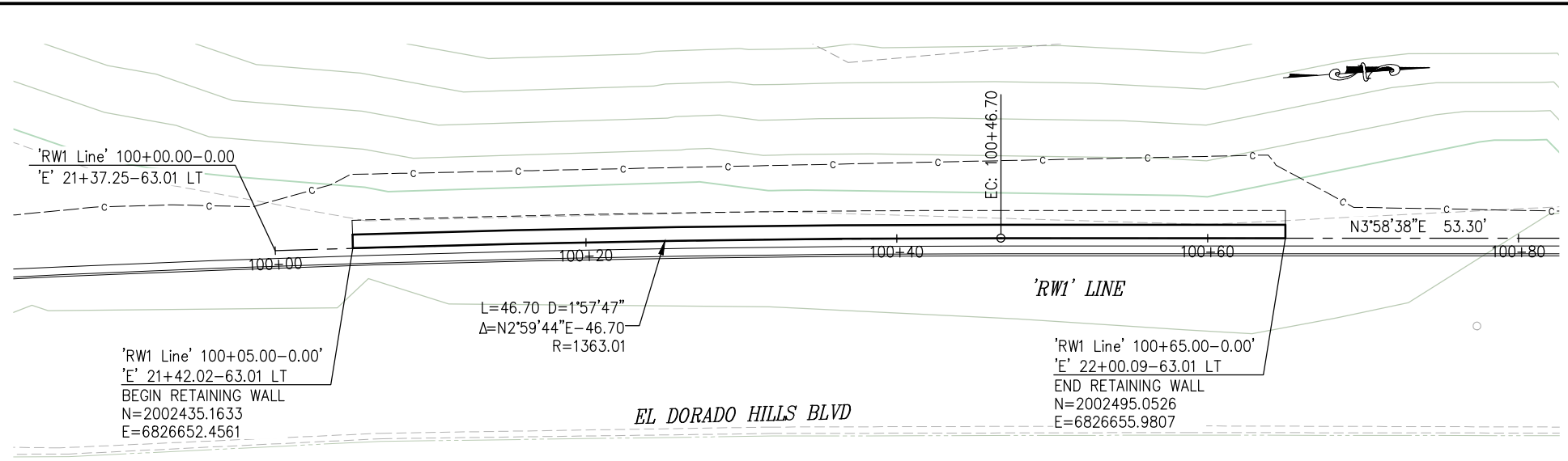
DESIGNED: CG
 DRAWN: SGM
 CHECKED: CG
 DATE: 11/07/22
 ROAD NUMBER: 219



COUNTY OF EL DORADO
DEPARTMENT OF TRANSPORTATION

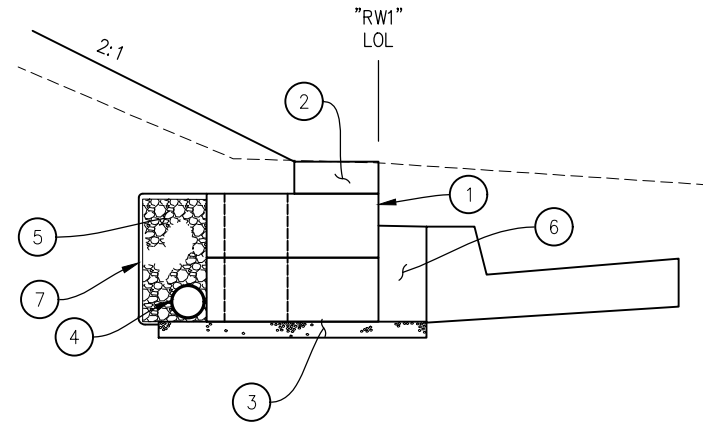
EL DORADO HILLS BLVD
SARATOGA WY TURN LANES

SHEET
D-1
 10 OF 16
 W.O. No.
36105076



BLOCK RETAINING WALL - 'RW1' LINE PLAN

SCALE: 1"=5'

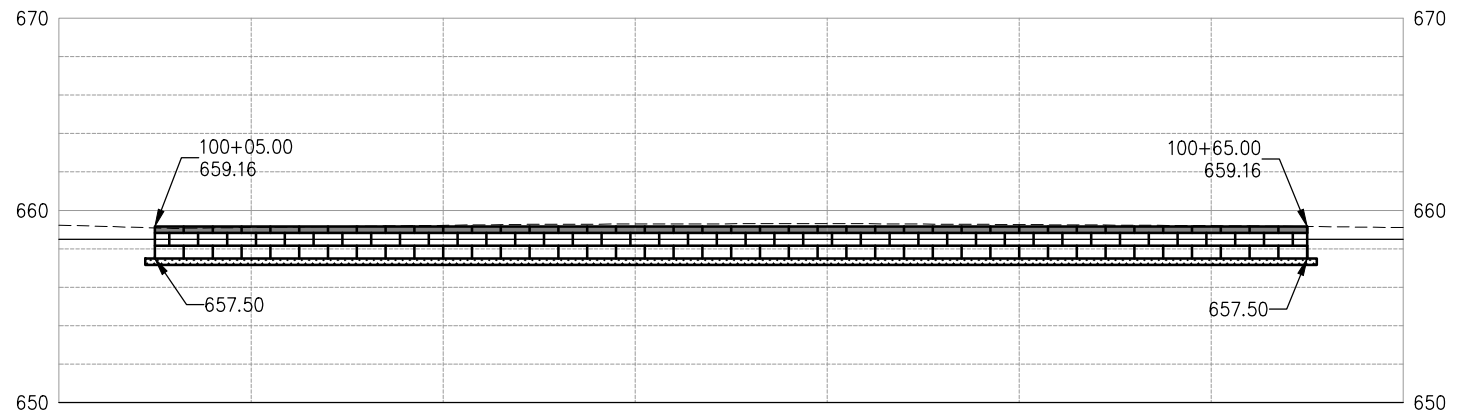


TYPICAL WALL SECTION

NTS

CONSTRUCTION NOTES:

- 1 — KEYSTONE STANDARD BLOCK, DIAMOND PRO BEVELED FACE, ROCKWOOD CLASSIC 8, OR EQUIVALENT (TYPICAL)
- 2 — MINI CAP UNIT AS SHOWN IN PROFILE VIEW. CAPS UNITS WILL BE GROUTED OR EPOXYED IN
- 3 — LEVELING PAD, COMPACTED GRANULAR FILL 1/2" TO 3/4" CRUSHED STONE OR GRAVEL
- 4 — 4" PERFORATED PIPE, 2% MINIMUM GRADE
- 5 — CRUSHED DRAINAGE MATERIAL, BACKFILL VOIDS IN BLOCK WALL WITH DRAINAGE MATERIAL
- 6 — BACKFILL WITH NATIVE MATERIAL, 8" MINIMUM EMBEDMENT
- 7 — FABRIC FILTER



BLOCK RETAINING WALL - 'RW1' LINE PROFILE

SCALE: 1"=5' H,V

GENERAL NOTES:

- █ — 4" HIGH KEYSTONE, DIAMOND PRO, ROCKWOOD CAP UNIT OR EQUIVALENT, AS REQUIRED
- — 8" HIGH KEYSTONE STANDARD UNIT, DIAMOND PRO BEVELED FACE, ROCKWOOD CLASSIC 8, OR EQUIVALENT
- ▨ — LEVELING PAD, SEE WALL SECTION DETAIL

RETAINING WALL "RW-1"
SCALE : AS SHOWN

REVISION	NUMBER	DATE	DESCRIPTION	BY



PREPARED UNDER THE SUPERVISION OF :
Chandra Ghimire
REGISTERED CIVIL ENGINEER
DATE: 04/30/24

DESIGNED: CG
DRAWN: CDG
CHECKED: CG
DATE: 03/08/24
ROAD NUMBER: 219

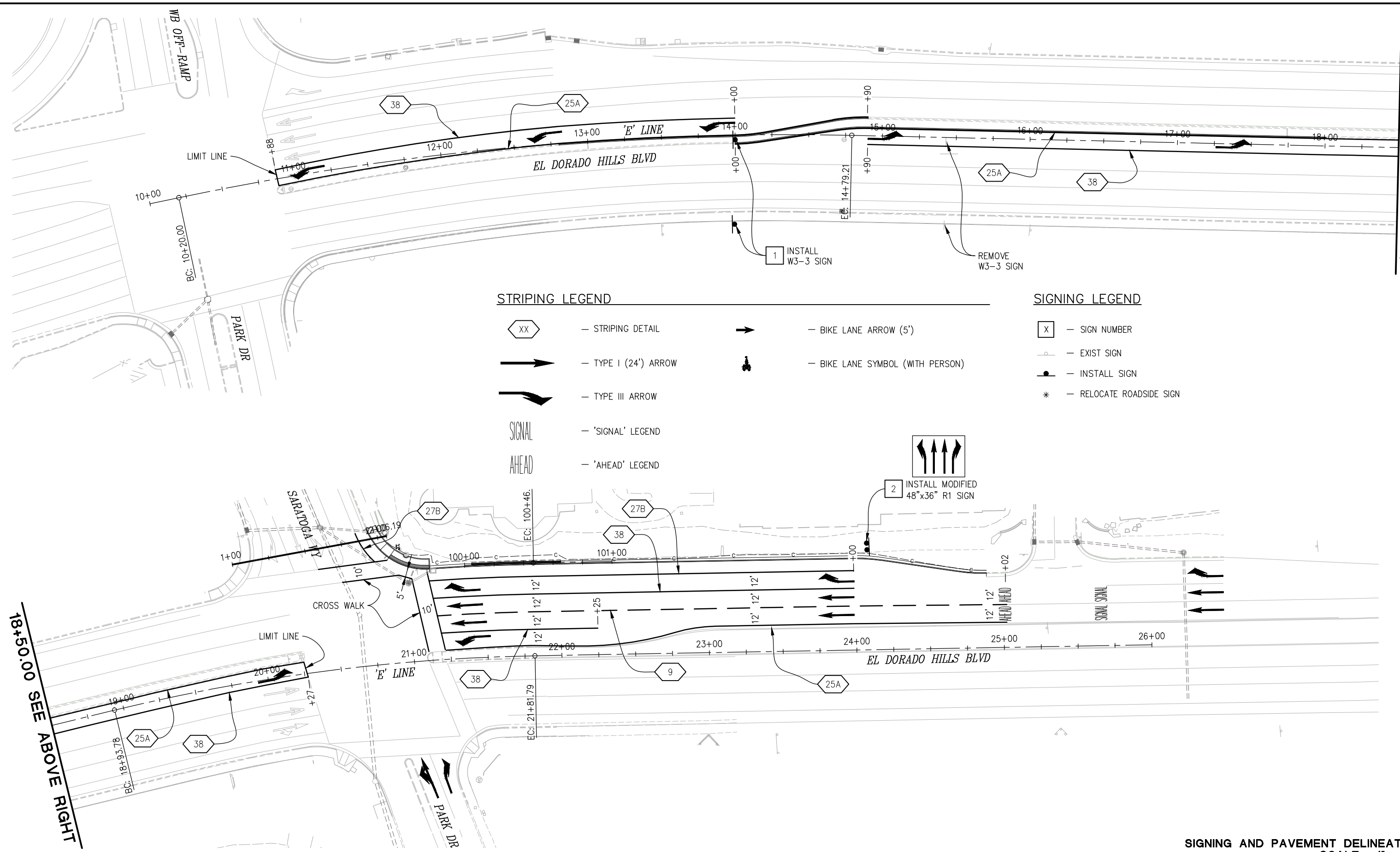


COUNTY OF EL DORADO
DEPARTMENT OF TRANSPORTATION

EL DORADO HILLS BLVD
SARATOGA WY TURN LANES

SHEET
RW-1
11 OF 16
W.O. No. 36105076

ORIGINAL SCALE IS IN INCHES
 Drawing name: Z:\Civil_3D\Projects\36105076 El Dorado Hills Blvd and Saratoga Wy Left Turn Lanes\CADD Files\Consultant Data\Cadre Updates 4.23.24\SPD-Sheets.dwg Layout Tab: SPD-1 Apr 30, 2024
 FOR REDUCED PLANS
 2
 1
 0



18+50.00 SEE BELOW LEFT

18+50.00 SEE ABOVE RIGHT

STRIPING LEGEND

- STRIPING DETAIL
- TYPE I (24') ARROW
- TYPE III ARROW
- 'SIGNAL' LEGEND
- 'AHEAD' LEGEND

SIGNING LEGEND

- SIGN NUMBER
- EXIST SIGN
- INSTALL SIGN
- RELOCATE ROADSIDE SIGN
- BIKE LANE ARROW (5')
- BIKE LANE SYMBOL (WITH PERSON)

THIS SHEET ACCURATE FOR PAVEMENT DELINEATION WORK ONLY

SIGNING AND PAVEMENT DELINEATION
SCALE : 1" = 30'

REVISION	NUMBER	DATE	DESCRIPTION	BY



PREPARED UNDER THE SUPERVISION OF:
Chandra Ghimire
 REGISTERED CIVIL ENGINEER
 DATE: 04/30/24

DESIGNED: CR SGM
 CHECKED: CG
 DATE: 11/07/22
 ROAD NUMBER: 219



COUNTY OF EL DORADO
DEPARTMENT OF TRANSPORTATION

EL DORADO HILLS BLVD
SARATOGA WY TURN LANES

SHEET
SPD-1
 12 OF 16
 W.O. No. **36105076**

ORIGINAL SCALE IS IN INCHES
 Drawing name: Z:\Civil 3D Projects\36105076 El Dorado Hills Blvd and Saratoga Wy Left Turn Lanes\CADD Files\Consultant Data\Cadre Updates 4.23.24\SPD-Sheets.dwg Layout Tab: SPD-2 Apr 30,2024
 FOR REDUCED PLANS
 REVISION
 2
 1
 0

THERMOPLASTIC STRIPING & PAVEMENT MARKERS								
STANDARD PLAN NO.	FROM	TO	SPRAYABLE THERMOPLASTIC		PAVEMENT MARKER (RETROREFLECTIVE)			REMARKS
			WHITE FT	YELLOW FT	TYPE D EA	TYPE G EA	TYPE RY EA	
DETAIL 9	'E' 22+25 LT	'E' 25+00 LT	386			9		
DETAIL 25A	'E' 10+88 RT	'E' 14+90 LT		403			18	
	'E' 14+00 RT	'E' 20+27 LT		627			27	
	'E' 21+22 LT	'E' 25+02 LT		382			16	
DETAIL 27B	'E' 20+69 LT	'E' 20+80 LT	24					
	'E' 21+15 LT	'E' 24+00 LT	286					
DETAIL 38	'E' 10+88 LT	'E' 14+00 LT	314			14		
	'E' 14+90 RT	'E' 20+27 RT	537			23		
	'E' 21+20 LT	'E' 22+25 LT	106			5		
	'E' 21+16 LT	'E' 24+00 LT	285			13		
SUBTOTAL			1938	1412	-	64	61	
TOTAL			3350			125		

GENERAL NOTES

- ALL STRIPING, LIMIT LINES, AND PAVEMENT MARKINGS SHALL BE SPRAYED THERMOPLASTIC, UNLESS OTHERWISE NOTED.
- ALL PAVEMENT MARKINGS AT INTERSECTIONS SHALL BE PLACED 8' BEHIND LIMIT LINE.
- ALL PAVEMENT MARKINGS ARE PER CALTRANS STANDARD PLANS.
- LOCATIONS OF SIGNS SHOWN ARE APPROXIMATE. EXACT LOCATION TO BE DETERMINED BY THE ENGINEER IN THE FIELD.
- VERIFY HORIZONTAL AND VERTICAL LOCATION OF EXISTING UTILITIES PRIOR TO SIGN POST INSTALLATION.
- ALL PERMANENT SIGNS WILL BE INSTALLED ON 2"x2", 11 GAUGE GALVANIZED POSTS FOR SINGLE SIGNS, AND 2.5"x2.5", 11 GAUGE GALVANIZED POSTS FOR LARGE OR MULTIPLE SIGNS.
- ANY RELOCATED SIGNS DAMAGED BY THE RELOCATION PROCESS SHALL BE REPLACED AT CONTRACTOR'S EXPENSE. DAMAGED SIGNS ARE TO BE SALVAGED AND RETURNED TO EL DORADO COUNTY.
- ALL EXISTING SIGNS ARE TO REMAIN IN PLACE UNLESS OTHERWISE NOTED.

PAVEMENT MARKING				
DESCRIPTION	THERMOPLASTIC FT2	DETAIL	STANDARD DRAWING	REMARKS
STRAIGHT ARROW	186	TYPE I (24)	A24A	6 @ 31 FT2
LEFT TURN ARROW	294	TYPE III (L)	A24B	7 @ 42 FT2
RIGHT TURN ARROW	168	TYPE III (R)	A24B	4 @ 42 FT2
STRAIGHT/LEFT TURN ARROW	45	TYPE II (L)	A24B	1 @ 45 FT2
"SIGNAL" LEGEND	62	-	A24D	2 @ 31 FT2
"AHEAD" LEGEND	64	-	A24D	2 @ 32 FT2
LIMIT/CROSSWALK LINE	221	-	A24E/A24F	221 LF @ 1 WIDE
TOTAL	1040			

SIGN QUANTITIES											
SIGN NO.	SIGN	CALIFORNIA MUTCD CODE	PANEL SIZE (INCHES)	ROADSIDE SIGNS					EXISTING LOCATION	PROPOSED LOCATION (APPROXIMATELY)	REMARKS
				ONE POST EA	TWO POST EA	ONE SIGN EA	RELOCATE SIGN EA	SALVAGE EA			
1	SIGNAL AHEAD	W3-3	48x48	2					'E' ±15+43.6 RT	'E' ±14+00 RT	CENTERED IN MEDIAN ISLAND & RIGHT ETW
2	INTERSECTION LANE CONTROL	R1 (MOD)	48x36		1					'E' ±24+10 LT	LEFT ETW
TOTAL				2	1						

**SIGNING AND PAVEMENT DELINEATION
SCALE : NONE**



PREPARED UNDER THE SUPERVISION OF :
Chandra Ghimire
 REGISTERED CIVIL ENGINEER
 DATE: 04/30/24

DESIGNED: CR
 DRAWN: SGM
 CHECKED: CG
 DATE: 11/08/22
 ROAD NUMBER: 219

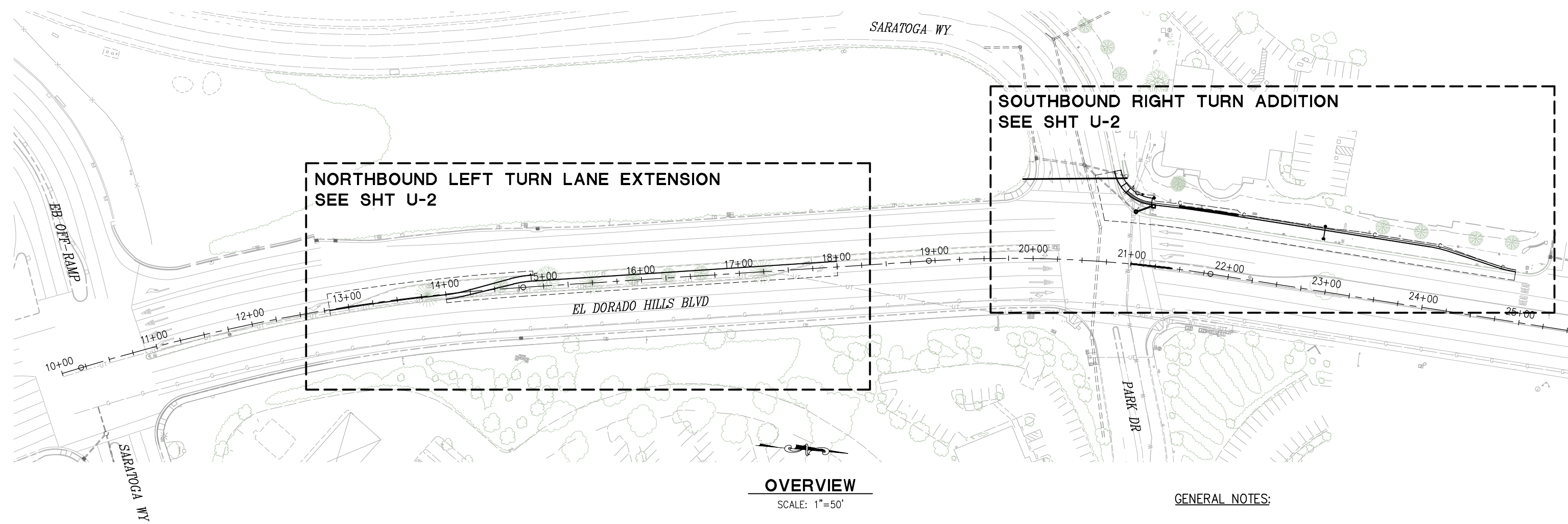


**COUNTY OF EL DORADO
DEPARTMENT OF TRANSPORTATION**

**EL DORADO HILLS BLVD
SARATOGA WY TURN LANES**

SHEET
SPD-2
 13 OF 16
 W.O. No.
36105076

ORIGINAL SCALE IS IN INCHES
 Drawing name: Z:\Civil 3D Projects\36105076 El Dorado Hills Blvd and Saratoga Wy Left Turn Lanes\CADD Files\Consultant Data\Cadre Updates 4.23.24\U-Sheets.dwg Layout Tab: U-1 Apr 30, 2024 9:20 AM
 FOR REDUCED PLANS
 2
 1
 0



OVERVIEW
SCALE: 1"=50'

GENERAL NOTES:

UTILITY RELOCATION
SCALE : AS SHOWN

REVISION	NUMBER	DATE	DESCRIPTION	BY



PREPARED UNDER THE SUPERVISION OF:
Chandra Ghimire
 REGISTERED CIVIL ENGINEER
 License Expires 12-31-25
 DATE: 04/30/24

DESIGNED: CR
 CHECKED: CG
 ROAD NUMBER: 219
 DRAWN: SGM
 DATE: 11/14/22

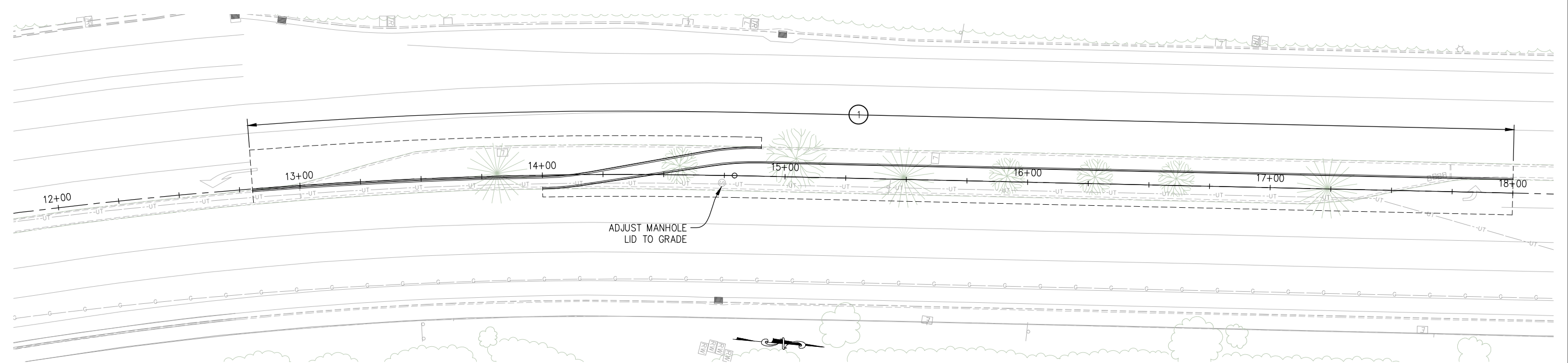


COUNTY OF EL DORADO
DEPARTMENT OF TRANSPORTATION

EL DORADO HILLS BLVD
SARATOGA WY TURN LANES

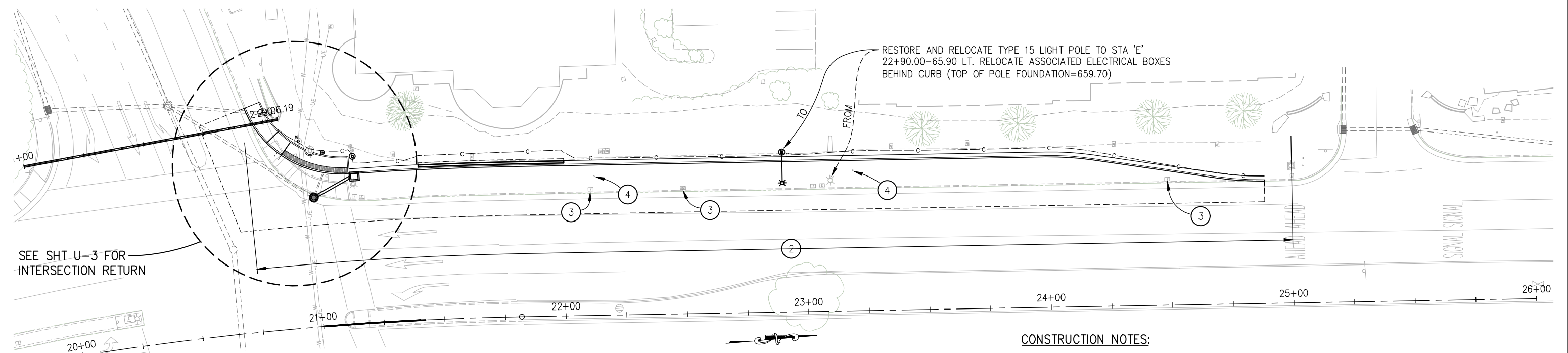
SHEET
U-1
14 OF 16
W.O. No. **36105076**

ORIGINAL SCALE IS IN INCHES
 Drawing name: Z:\Civil_3D\Projects\36105076 El Dorado Hills Blvd and Saratoga Wy Left Turn Lanes\CADD Files\Consultant Data\Cadre Updates 4.23.24\U-Sheets.dwg Layout Tab: U-2 Apr 30, 2024 - 9:28 AM
 FOR REDUCED PLANS



NORTHBOUND LEFT TURN LANE EXTENSION

SCALE: 1"=20'



SOUTHBOUND RIGHT TURN ADDITION

SCALE: 1"=20'

CONSTRUCTION NOTES:

- ① — REMOVE ALL LANDSCAPE AND VEGETATION. CUT AND CAP ALL IRRIGATION INCLUDING ELECTRICAL CONNECTION AS DIRECTED BY THE ENGINEER
- ② — REMOVE ALL LANDSCAPE IRRIGATION COMPONENTS WITHIN RIGHT TURN LANE IMPROVEMENTS. REESTABLISH IRRIGATION FOR ADJACENT SLOPE AND LANDSCAPING. ENSURE SYSTEM IS OPERATIONAL AT COMPLETION OF CONSTRUCTION. ('E' 20+75 TO 'E' 25+00)
- ③ — RELOCATE ELECTRICAL SERVICE BOXES TO LOCATION BEHIND NEW CURB
- ④ — RELOCATE COMMUNICATION SPLICE PEDESTAL TO LOCATION BEHIND NEW CURB

**UTILITY RELOCATION
SCALE : AS SHOWN**

REVISION	NUMBER	DATE	DESCRIPTION	BY



PREPARED UNDER THE SUPERVISION OF:
Chandra Ghimire
 REGISTERED CIVIL ENGINEER
 DATE: 04/30/24

DESIGNED: CR
 DRAWN: SGM
 CHECKED: CG
 DATE: 11/14/22
 ROAD NUMBER: 219



**COUNTY OF EL DORADO
DEPARTMENT OF TRANSPORTATION**

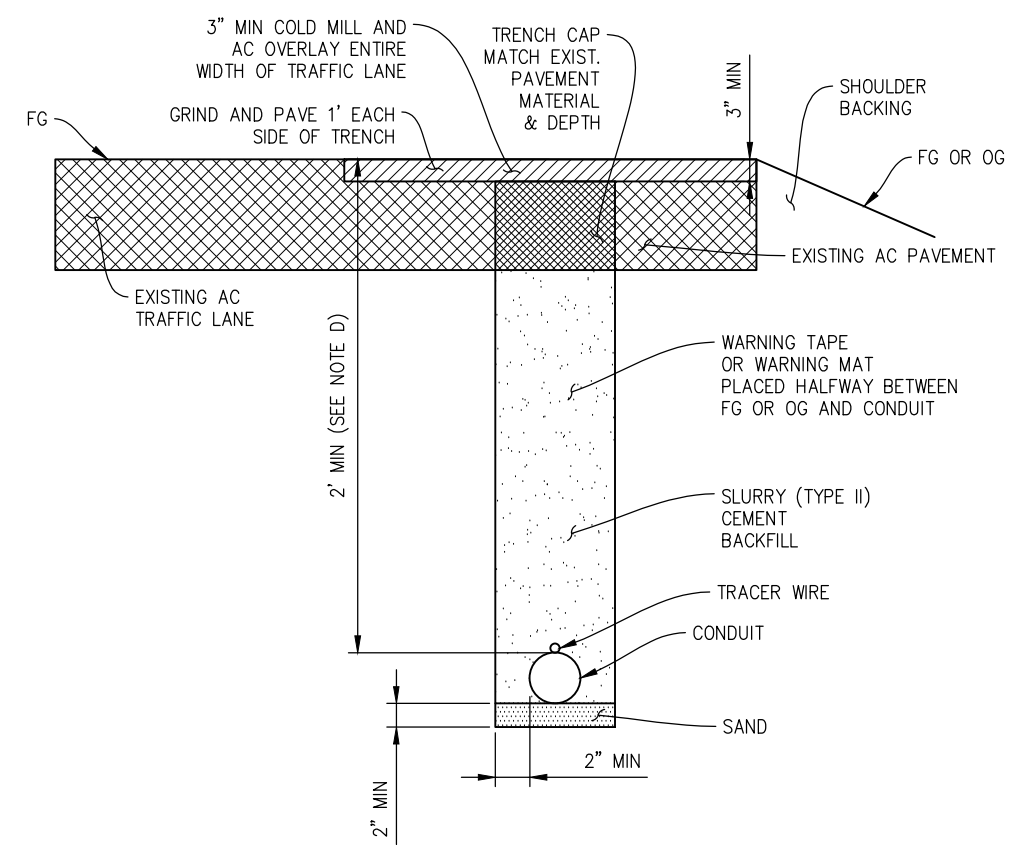
**EL DORADO HILLS BLVD
SARATOGA WY TURN LANES**

SHEET
U-2
15 OF 16
W.O. No. **36105076**

ORIGINAL SCALE IS IN INCHES
 Drawing name: Z:\Civil 3D Projects\36105076 El Dorado Hills Blvd and Saratoga Wy Left Turn Lanes\CADD Files\Consultant Data\Cadre Updates 4.23.24\U-Sheets.dwg Layout Tab: U-3 Apr 30, 2024 10:10:10 AM
 FOR REDUCED PLANS

GENERAL NOTES:

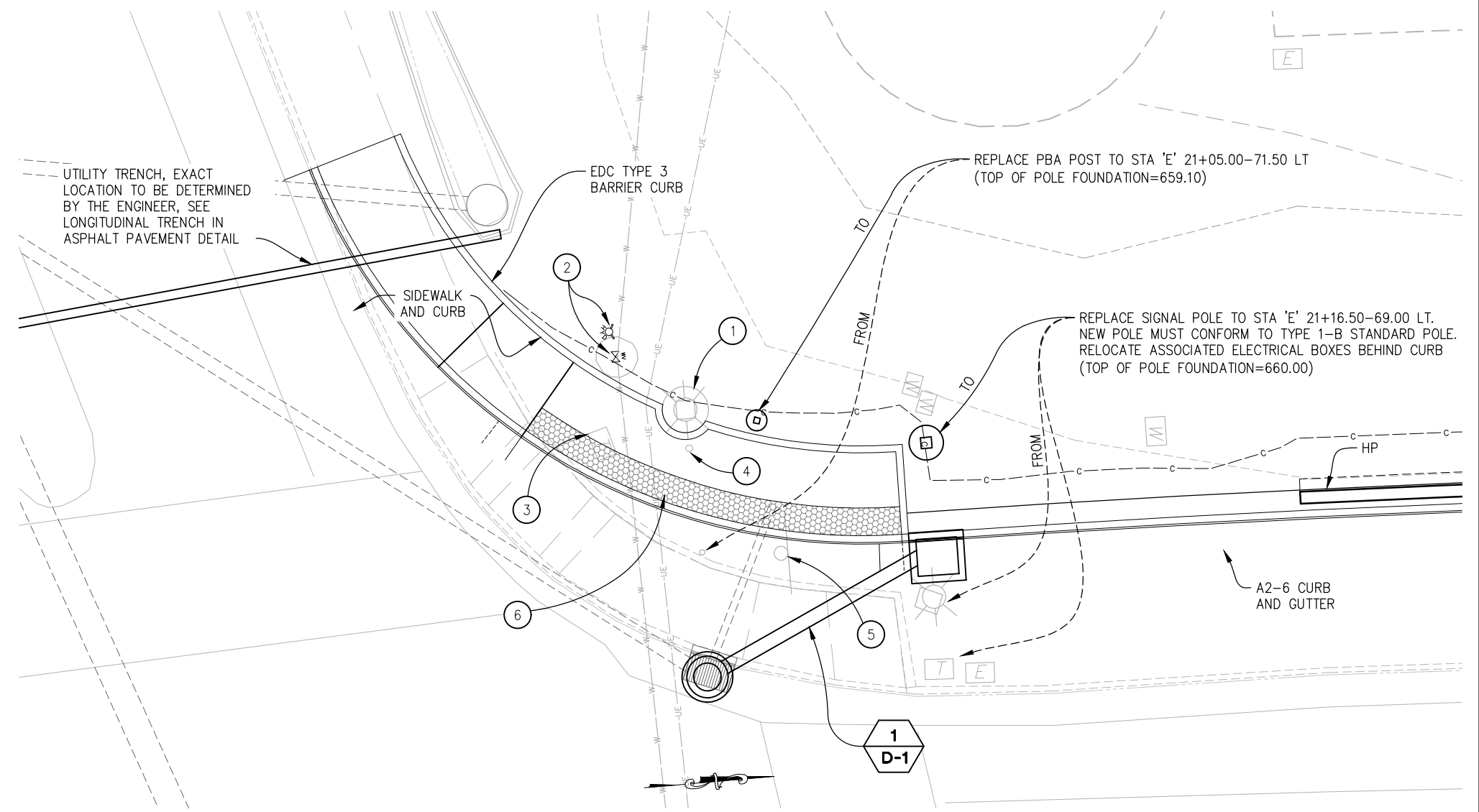
1. DEPTH OF COVER AS IDENTIFIED & APPROVED BASED ON SUBMITTED PLANS.



LONGITUDINAL TRENCH IN ASPHALT PAVEMENT

NTS

UTILITY TRENCH, EXACT LOCATION TO BE DETERMINED BY THE ENGINEER, SEE LONGITUDINAL TRENCH IN ASPHALT PAVEMENT DETAIL



**INTERSECTION RETURN
(EL DORADO HILLS BLVD/SARATOGA WAY)**

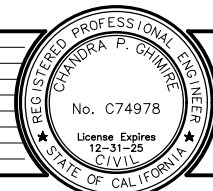
SCALE: 1"=10'

CONSTRUCTION NOTES:

- 1 — SIGNAL POLE TO REMAIN, SEE SHT L-6 FOR ADDITIONAL DETAILS
- 2 — FIRE HYDRANT AND VALVE TO REMAIN
- 3 — RELOCATE ELECTRICAL SERVICE BOXES TO LOCATION BEHIND NEW CURB
- 4 — RELOCATE COMMUNICATION SPLICE PEDESTAL TO LOCATION BEHIND NEW CURB. TRENCH ACROSS SARATOGA WY TO END AT PEDESTAL LOCATION
- 5 — REMOVE SIGN POST
- 6 — TRUNCATED DOMES MUST MATCH EXISTING COLOR

**UTILITY RELOCATION
SCALE : AS SHOWN**

REVISION	NUMBER	DATE	DESCRIPTION	BY



PREPARED UNDER THE SUPERVISION OF:
Chandra Ghimire
 REGISTERED CIVIL ENGINEER
 DATE: 04/30/24

DESIGNED: CR
 DRAWN: SGM
 CHECKED: CG
 DATE: 11/14/22
 ROAD NUMBER: 219



**COUNTY OF EL DORADO
DEPARTMENT OF TRANSPORTATION**

**EL DORADO HILLS BLVD
SARATOGA WY TURN LANES**

SHEET
U-3
 16 OF 16
 W.O. No. **36105076**