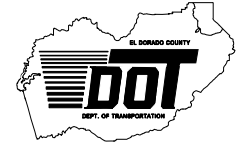




**CONSTRUCTION DIVISION:**  
 2441 Headington Road  
 Placerville, CA 95667  
 Phone: (916) 642-4987  
 Fax: (916) 295-2655

Kimberly A. Kerr  
 Interim Director of  
 Transportation  
  
 Internet Web Site:  
<http://edcgov.us/dot>

**MAIN OFFICE**  
 2850 Fairlane Court  
 Placerville CA 95667  
 Phone: (530) 621-5900  
 Fax: (530) 626-0387



**DATE:** July 11, 2012

**TO:** All Prospective Bidders

**SUBJECT:** Addendum No. 2  
 US 50 HOV Lanes Phase 0 El Dorado Hills Interchange  
 Project  
 Contract No. PW 12-30639, CIP No. 53124

Submit proposals for this work with the understanding and full consideration of this addendum. The revisions declared in this addendum are essential parts of the Contract.

ADDENDUM ITEM NO.	PAGE OR DRAWING NO.	DESCRIPTION OF CHANGE
2.01	Agreement, Exhibit A	Replace Exhibit A, Contractor's Bid and Bid Schedule (Engineer's Estimate) with the Attachment 1 attached to this addendum.
2.02	Proposal, P-3 thru P-12	Replace Proposal Pay Items and Price Schedule (Engineer's Estimate) with Attachment 2 attached to this addendum.
2.03	Page SP-1	Replace the EID website referenced in the first paragraph of Section 1-1.01 "General" for EID Design and Construction Standards with the following:  <a href="http://www.eid.org/index.aspx?page=135">"http://www.eid.org/index.aspx?page=135"</a>
2.04	Page SP-29	Section 5-1.33 "Asbestos Containing Material", the following paragraph is added after the last paragraph of this section on page SP-29:  "Full Compensation for conforming to the requirements of this section shall be considered as included in the contract prices paid for the various items involved, and no additional compensation will be allowed therefor."
2.05	Page SP-136	Section 10-1.20 "Cooperation" is revised to read as follows:  <b>"10-1.20 COOPERATION</b>  Contractor shall notify the El Dorado Irrigation District 72 hours prior to working on any of their facilities, including but not limited to the removal of the abandoned lines. Contact Mike Brink, El Dorado Irrigation District 2890 Mosquito Road, Placerville, CA 95667, telephone (530) 642-4054.  Comply with Section 7-1.14, "Cooperation," of the Standard Specifications and "Coordination with Property Owners" of these special provisions."

2.06	Page SP-146	Replace lane closure chart No. 1 with Attachment 3 attached to this addendum.
2.07	Page SP-168	<p>Section 10-1.37 "Existing Highway Facilities", Subsection "Remove Manhole", is revised to read as follows:</p> <p><b>"REMOVE MANHOLE</b></p> <p>Existing manholes and PG&amp;E vault, at locations shown on the plans to be removed, shall be removed and disposed of.</p> <p>Manholes and vault shall not be removed until their use is no longer required. The Contractor shall notify the Engineer in advance of any intended manhole or vault removal.</p> <p>Remove PG&amp;E vault will be measured and paid for as Remove Manhole.</p> <p>Full compensation for removing and disposing of frames and covers shall be considered as included in the contract unit price paid for remove manhole and no additional compensation will be allowed therefor."</p>
2.08	Page SP-168	<p>Section 10-1.37 "Existing Highway Facilities", Subsection "Remove Abandon Sewer Pipe", is revised to read as follows:</p> <p><b>"REMOVE ABANDONED SEWER PIPE</b></p> <p>Abandoned sewer pipes, at locations shown on the plans to be removed, shall be removed and disposed of.</p> <p>Abandoned sewer pipes are constructed of either PVC or Asbestos Cement. If Asbestos Cement, the Contractor's attention is directed to "Asbestos Containing Material", "Air Quality-Basic NESHAP Asbestos Notification," "Removal of Asbestos Containing Material" and Cooperation" of these special provisions."</p>
2.09	Page SP-168	<p>Section 10-1.37 "Existing Highway Facilities", Subsection "Remove Abandon Water Pipeline", is revised to read as follows:</p> <p><b>"REMOVE ABANDONED WATER PIPELINE</b></p> <p>Abandoned water pipeline, at locations shown on the plans to be removed, shall be removed and disposed of.</p> <p>Abandoned water pipeline are constructed of either PVC or Asbestos Cement. If Asbestos Cement, the Contractor's attention is directed to "Asbestos Containing Material", "Air Quality-Basic NESHAP Asbestos Notification," "Removal of Asbestos Containing Material" and Cooperation" of these special provisions."</p>
2.10	Page SP-172	<p>Section 10-1.37 "Existing Highway Facilities", Add the following new Subsection "Remove Fence:</p> <p><b>"REMOVE FENCE</b></p> <p>Existing fence, at locations shown on the plans to be removed, shall be removed and disposed of."</p>

2.11	Page SP-173	<p>Section 10-1.42 "Earthwork", the following is added after the first paragraph:</p> <p>"The following existing abandoned utilities may require removal during roadway excavation: AT&amp;T Fiber Optic conduit, PG&amp;E conduit and Gas and Electrical lines, AT&amp;T telephone conduit and risers. Full compensation for removing these abandoned utilities shall be considered as included in the contract price paid per cubic yard for roadway excavation and no separate payment will be made therefor."</p>
2.12	TOC -4 and Page SP-188	<p><b><u>Table of Contents:</u></b> The following Section is added after Section 10-1.54 Hot Mix Asphalt: <b>"10-1.541 HOT MIX ASPHALT (DEEP LIFT)"</b></p> <p><b><u>SP-188:</u></b> The following Section is added after Section 10-1.54 Hot Mix Asphalt: <b>"10-1.541 HOT MIX ASPHALT (DEEP LIFT)"</b></p> <p>This work includes producing and placing hot mix asphalt (HMA) in deep lift areas designated on the plans. Comply with "Hot Mix Asphalt" of these special provisions and Section 39, "Hot Mix Asphalt," of the Standard Specifications. Hot Mix Asphalt (Deep Lift) shall be measured and paid for in the same manner as Hot Mix Asphalt."</p>
2.13	Page SP-190	<p>The heading of Section 10-1.58 is revised to read as follows:</p> <p><b>"10-1.58 TEMPORARY HOT MIX ASPHALT TAPERS"</b></p>
2.14	Plan Sheets: CSS-1, X-1, X-2, X-3, X-4, C-3, C-4, U-2, U-3, U-5, TH- 11, TH-16, SQ-6, Q-2, Q-3, Q-4, Q-5 and Q-6	<p>These plan sheets are replaced with the plan sheets attached.</p>

**Pages P-3 rev through P-12 rev, Proposal Pay Items and Bid Price Schedule, shall be attached to the respective page in the original Proposal Pay Items and Bid Price Schedule, in the Contract Documents booklet. Pages C-11 through C-21, Exhibit A, Contractor's Bid and Bid Price Schedule, shall be attached to the respective page in the original Exhibit A, Contractor's Bid and Bid Price Schedule, in the Contract Documents booklet. The remaining pages of this addendum other than the revised plan sheets shall be attached to the Contract Documents booklet.**

Indicate receipt of this addendum by filling in the number of this addendum in the space provided on the signature page of the proposal.

Holders who have already mailed their proposal can contact Janel Gifford at (email: Janel.Gifford@edcgov.us) to arrange for the return of their proposal.

Inform all suppliers and subcontractors as necessary.


The DOT is only sending this addendum by posting on the following website:  
<http://www.edcgov.us/Government/DOT/Bids.aspx>.

If you are not a Contract Documents Holder, but request a set of documents to bid on this project, you must comply with the requirements of this addendum when submitting your bid.


Attachments:

Attachment 1 - Exhibit A, Contractor's Bid and Bid Schedule (Engineer's Estimate) pages C-11 through C-21	11 pages
Attachment 2 - Proposal Pay Items and Price Schedule (Engineer's Estimate) pages P-3 rev through P-12 rev	10 pages
Attachment 3 - revised lane closure chart No. 1	1 page
Revised Plan Sheets: CSS-1 (2 R1), X-1 (3 R1), X-2 (4 R1), X-3 (5 R1), X-4 (6 R1), C-3 (26 R1), C-4 (27 R1), U-2 (81 R1), U-3 (82 R1), U-5 (84 R1), TH-11 (105 R1), TH-16 (110 R1), SQ-6 (159 R1), Q-2 (161 R1), Q-3 (162 R1), Q-4 (163 R1), Q-5 (164 R1) and Q-6 (165 R1)	18 pages

**End of Addendum No. 2**

  
 \_\_\_\_\_  
 Recommended by:  
 Janel Gifford, P.E.  
 Office Engineer

7/11/12  
 \_\_\_\_\_  
 Date

  
 \_\_\_\_\_  
 Approved by:  
 Kimberly A. Kerr, Interim Director  
 Department of Transportation

7/11/12  
 \_\_\_\_\_  
 Date

**EXHIBIT A**

**CONTRACTOR'S BID AND BID PRICE SCHEDULE  
(ENGINEER'S ESTIMATE)**

**U.S. 50 HOV LANES PHASE 0  
EL DORADO HILLS INTERCHANGE**

**CONTRACT NO. PW 12-30639 – CIP NO. 53124**

ITEM NO.	ITEM CODE	ITEM DESCRIPTION	UNIT OF MEASURE	ESTIMATED QUANTITY	UNIT PRICE (In Figures)	TOTAL PRICE (In Figures)
1	070012	PROGRESS SCHEDULE (CRITICAL PATH METHOD)	LS	LUMP SUM		
2	071325	TEMPORARY FENCE (TYPE ESA)	LF	1140		
3	071326	TEMPORARY HOT MIX ASPHALT	TON	27		
4	074014	FURNISH FIELD OFFICE	LS	LUMP SUM		
5	074016	CONSTRUCTION SITE MANAGEMENT	LS	LUMP SUM		
6	074019	PREPARE STORM WATER POLLUTION PREVENTION PLAN	LS	LUMP SUM		
7	074056	RAIN EVENT ACTION PLAN	EA	88	\$500.00	\$44,000.00
8	074057	STORM WATER ANNUAL REPORT	EA	4	\$2,000.00	\$8,000.00
9	074058	STORM WATER SAMPLING AND ANALYSIS DAY	EA	32		
10	120090	CONSTRUCTION AREA SIGNS	LS	LUMP SUM		
11	120100	TRAFFIC CONTROL SYSTEM	LS	LUMP SUM		
12	120149	TEMPORARY PAVEMENT MARKING (PAINT)	SQFT	2100		
13	120159	TEMPORARY TRAFFIC STRIPE (PAINT)	LF	19900		
14	120165	CHANNELIZER (SURFACE MOUNTED)	EA	210		

ITEM NO.	ITEM CODE	ITEM DESCRIPTION	UNIT OF MEASURE	ESTIMATED QUANTITY	UNIT PRICE (In Figures)	TOTAL PRICE (In Figures)
15	120300	TEMPORARY PAVEMENT MARKER	EA	820		
16	128650	PORTABLE CHANGEABLE MESSAGE SIGN	SWD			
17	129000	TEMPORARY RAILING (TYPE K)	LF	0		
18	129100	TEMPORARY CRASH CUSHION MODULE	EA			
19	129111	TEMPORARY CRASH CUSHION (10)	EA	20		
20	129150	TEMPORARY TRAFFIC STRIPE	LF	14600		
21	150200	REPLACE AND REPAIR AND REPAIR CURB	LS	LUMP SUM		
22	150200	ABANDON CULVERT	LF	240		
23	150305	OBLITERATE SURFACING	SQYD	6370		
24	150605	REMOVE FENCE	LF	1180		
25	150662	REMOVE METAL BEAM GUARD RAILING	LF	63		
26	150710	REMOVE TRAFFIC STRIPE	LF	10300		
27	150713	REMOVE PAVEMENT MARKING	SQFT	1490		
28	150722	REMOVE PAVEMENT MARKER	EA	140		
29	150742	REMOVE ROADSIDE SIGN	EA	34		
30	150757	REMOVE SIGN STRUCTURE	EA	1		
31	150771	REMOVE ASPHALT CONCRETE DIKE	LF	760		
32	150772	REMOVE CURB	LF	720		

ITEM NO.	ITEM CODE	ITEM DESCRIPTION	UNIT OF MEASURE	ESTIMATED QUANTITY	UNIT PRICE (In Figures)	TOTAL PRICE (In Figures)
33	150811	REMOVE ABANDONED WATER PIPELINE	LF	250		
34	150812	REMOVE PIPE	LF			
35	150820	REMOVE INLET	EA			
36	150826	REMOVE MANHOLE	EA			
37	150841	REMOVE MANHOLE TO SEWER PIPE	LF	1340		
38	152390	RELOC ROAD SIDE SIGN	EA	1		
39	152400	ADJUST UTILITY COVER TO GRADE	EA	1		
40	152430	ADJUST INLET	EA	6		
41	152440	ADJUST MANHOLE TO GRADE	EA	11		
42	152469	ADJUST UTILITY COVER TO GRADE	EA	13		
43	152610	MODIFY PRECAST CONCRETE MANHOLE	EA	1		
44	153103	COLD PLANE ASPHALT CONCRETE PAVEMENT	SQYD	10600		
45	153139	REMOVE CONCRETE SIDEWALK (LF)	LF	550		
46	153215	REMOVE CONCRETE (CURB AND GUTTER)	LF	3290		
47	153221	REMOVE CONCRETE BARRIER	LF	320		
48	153239	REMOVE CONCRETE (CURB, GUTTER AND SIDEWALK)	LF	420		
49	155003	CAP INLET	EA	6		
50	156585	REMOVE CRASH CUSHION	EA	1		

ITEM NO.	ITEM CODE	ITEM DESCRIPTION	UNIT OF MEASURE	ESTIMATED QUANTITY	UNIT PRICE (In Figures)	TOTAL PRICE (In Figures)
51	160102	CLEARING AND GRUBBING	LS	LUMP SUM		
52	(F) 190101	ROADWAY EXCAVATION	CY			
53	(F) 190102	BIOFILTRATION SWALE	L			
54	190110	LEAD COMPLIANCE PLAN	LS	LUMP SUM		
55	190112	COMPLIANCE PLAN	LS	LUMP SUM		
56	190118	REPAIRS TO BERMS & DUST MITIGATION PLAN (DMP)	LS	LUMP SUM		
57	190140	REMOVAL AND EXCAVATION SAFETY	LS	LUMP SUM		
58	(F) 192000	STRUCTURE EXCAVATION	CY	91		
59	(F) 193001	STRUCTURE BACKFILL	CY	46		
60	(F) 192003	STRUCTURE EXCAVATION (BRIDGE)	CY	1660		
61	(F) 193003	STRUCTURE BACKFILL (BRIDGE)	CY	2070		
62	193114	SAND BACKFILL	CY	9		
63	193118	CONCRETE BACKFILL	CY	1.6		
64	203002	EROSION CONTROL (COMPOST BLANKET)	CY	29		
65	203021	FIBER ROLLS	LF	760		
66	203025	COMPOST (INCORPORATE)	SQYD	130		
67	203026	MOVE-IN/MOVE-OUT (EROSION CONTROL)	EA	4		
68	203031	EROSION CONTROL (HYDROSEED) (SQFT)	SQFT	212000		



ITEM NO.	ITEM CODE	ITEM DESCRIPTION	UNIT OF MEASURE	ESTIMATED QUANTITY	UNIT PRICE (In Figures)	TOTAL PRICE (In Figures)
69	203034	ROLLED EROSION CONTROL PRODUCT (NETTING)	SQFT	20500		
70	204013	PLANT (GROUP M) ((LINER))	EA			
71	208310	IRRIGATION SLEEVE	L			
72	260201	CLASS 2 AGGREGATE BASE	CY			
73	390095	PORTLAND CEMENT CONCRETE	CY	835		
74	390130	HOT MIX ASPHALT (DEEP L)	TON	4280		
75	390130	HOT MIX ASPHALT (TYPE A)	TON	13500		
76	390130	EMULSIFIED HOT MIX ASPHALT (OPEN GRADED)	TON	1510		
77	391007	PAVING ASPHALT (BINDER, GEOSYNTHETIC PAVEMENT INTERLAYER)	TON	10		
78	393003	GEOSYNTHETIC PAVEMENT INTERLAYER	SQYD	7950		
79	394074	PLACE HOT MIX ASPHALT DIKE (TYPE C)	LF	1420		
80	394076	PLACE HOT MIX ASPHALT DIKE (TYPE E)	LF	4540		
81	394077	PLACE HOT MIX ASPHALT DIKE (TYPE F)	LF	350		
82	394090	PLACE HOT MIX ASPHALT (MISCELLANEOUS AREA)	SQYD	2020		
83	397005	TACK COAT	TON	58		
84	(P) 500001	PRESTRESSING CAST-IN-PLACE CONCRETE	LS	LUMP SUM		
85	(F) 510050	STRUCTURAL CONCRETE	CY	29		
86	(F) 510051	STRUCTURAL CONCRETE, BRIDGE FOOTING	CY	350		

ITEM NO.		ITEM CODE	ITEM DESCRIPTION	UNIT OF MEASURE	ESTIMATED QUANTITY	UNIT PRICE (In Figures)	TOTAL PRICE (In Figures)
87	(F)	510053	STRUCTURAL CONCRETE, BRIDGE	CY	750		
88	(F)	510086	STRUCTURAL CONCRETE, APPROACH SLAB (TYPE N)	CY			
89	(F)	510502	MINOR CONCRETE (MINOR STRUCTURE)	CY			
90		510527	CONCRETE (CONCRETE ANCHOR BLOCK)	CY			
91		511045	CONCRETE FINISH	SQFT	1690		
92		511051	CONCRETE TEXTURE	SQFT	3440		
93	(P)	512220	FURNISH PRECAST PRESTRESSED CONCRETE BOX GIRDER (90'-100')	EA	10		
94		512500	PRECAST PRESTRESSED CONCRETE BOX GIRDER	EA	10		
95	(F-P)	519100	JOINT SEAL (TYPE B MR 2")	LF	78		
96	(F-P)	520101	BAR REINFORCING STEEL	LB	5279		
97	(F-P)	520102	BAR REINFORCING STEEL (BRIDGE)	LB	217784		
98	(F-P)	560203	FURNISH SIGN STRUCTURE (BRIDGE MOUNTED WITH WALKWAY)	LB	2200		
99	(F)	560204	INSTALL SIGN STRUCTURE (BRIDGE MOUNTED WITH WALKWAY)	LB	2200		
100	(F-P)	560218	FURNISH SIGN STRUCTURE (TRUSS)	LB	54600		
101	(F)	560219	INSTALL SIGN STRUCTURE (TRUSS)	LB	54600		
102	(P)	560244	FURNISH LAMINATED PANEL SIGN (1"-TYPE A)	SQFT	780		
103		560248	FURNISH SINGLE SHEET ALUMINUM SIGN (0.063"-UNFRAMED)	SQFT	190		
104		560249	FURNISH SINGLE SHEET ALUMINUM SIGN (0.080"-UNFRAMED)	SQFT	290		

ITEM NO.	ITEM CODE	ITEM DESCRIPTION	UNIT OF MEASURE	ESTIMATED QUANTITY	UNIT PRICE (In Figures)	TOTAL PRICE (In Figures)
105	560252	FURNISH SINGLE SHEET ALUMINUM SIGN (0.080"-FRAMED)	SQFT	92		
106	561014	54" CAST-IN-DRILLED-HOLE CONCRETE PILE (SIGN FOUNDATION)	LF			
107	561016	60" CAST-IN-DRILLED-HOLE CONCRETE PILE (SIGN FOUNDATION)	LF			
108	566011	ROADSIDE SIGN - ONE POST	EA			
109	566012	ROADSIDE SIGN - TWO POST	EA	1		
110	56800	INSTALL SIGN (ONE-POST AND RACK METHOD)	EA	8		
111	56801	INSTALL SIGN (TWO-ARM HANGER METHOD)	EA	9		
112	(P) 64110	2" PLASTIC PIPE	LF	32		
113	(P) 641125	36" PLASTIC PIPE	LF	22		
114	(P) 650010	12" REINFORCED CONCRETE PIPE	LF	210		
115	(P) 650014	18" REINFORCED CONCRETE PIPE	LF	1990		
116	(P) 650018	24" REINFORCED CONCRETE PIPE	LF	1250		
117	(P) 650022	30" REINFORCED CONCRETE PIPE	LF	25		
118	(P) 650026	36" REINFORCED CONCRETE PIPE	LF	350		
119	(P) 650034	48" REINFORCED CONCRETE PIPE	LF	74		
120	(P) 665716	18" SLOTTED CORRUGATED STEEL PIPE (.064" THICK)	LF	410		
121	(P) 680286	4" PERFORATED PLASTIC PIPE	LF	1290		
122	(P) 690116	18" CORRUGATED STEEL PIPE DOWNDRAIN (.064" THICK)	LF	61		

ITEM NO.	ITEM CODE	ITEM DESCRIPTION	UNIT OF MEASURE	ESTIMATED QUANTITY	UNIT PRICE (In Figures)	TOTAL PRICE (In Figures)
123	(P) 692307	18" ANCHOR ASSEMBLY	EA	6		
124	700617	DRAINAGE INLET MARKER	EA			
125	(P) 702016	18" TO 12" CORRUGATED STEEL REDUCER (.064" THICK)	EA			
126	(P) 703233	GRATED LINE DRAIN	LF			
127	(P) 705011	36" PRECAST CONCRETE PIPE MANHOLE	EA	1		
128	(P) 705200	3" CONCRETE MANHOLE END	EA	3		
129	(P) 705200	4" CONCRETE MANHOLE END	EA	3		
130	(P) 707111	36" PRECAST CONCRETE PIPE INLET	LF	13		
131	(P) 707217	36" PRECAST CONCRETE PIPE MANHOLE	LF	6		
132	(P) 707233	60" PRECAST CONCRETE PIPE MANHOLE	LF	51		
133	(P) 707241	72" PRECAST CONCRETE PIPE MANHOLE	LF	44		
134	709522	INLET DEPRESSION	EA	42		
135	719569	MINOR CONCRETE (PIPE ENCASMENT)	CY	36		
136	721010	ROCK SLOPE PROTECTION (BACKING NO. 1, METHOD B)	CY	64		
137	721431	CONCRETE (CONCRETE APRON)	CY	2.5		
138	(P) 729011	ROCK SLOPE PROTECTION FABRIC (CLASS 8)	SQYD	190		
139	730020	MINOR CONCRETE (CURB) (CY)	CY	62		
140	731502	MINOR CONCRETE (MISCELLANEOUS CONSTRUCTION)	CY	52		

ITEM NO.	ITEM CODE	ITEM DESCRIPTION	UNIT OF MEASURE	ESTIMATED QUANTITY	UNIT PRICE (In Figures)	TOTAL PRICE (In Figures)
141	731504	MINOR CONCRETE (CURB AND GUTTER)	CY	40		
142	731516	MINOR CONCRETE (DRIVEWAY)	CY			
143	731521	MINOR CONCRETE (SIDEWALK)	CY			
144	731530	MINOR CONCRETE (TEXTURED PAVING)	CY			
145	(F-P) 750001	STEEL REINFORCEMENT AND S	LB	25200		
146	(P) 800320	CHAIN LINK FENCE (TYPE CL-4)	LF	830		
147	(P) 800360	CHAIN LINK FENCE (TYPE CL-6)	LF	360		
148	820100	CONCRETE BARRIER DELINEATOR (TYPE F)	EA	10		
149	820107	DELINEATOR (CLASS 1)	EA	38		
150	820110	HIGHWAY POST MARKER	EA	6		
151	820141	OBJECT MARKER (TYPE K-1)	EA	4		
152	820151	OBJECT MARKER (TYPE L-1)	EA	5		
153	(P) 832003	METAL BEAM GUARD RAILING (WOOD POST)	LF	1140		
154	832070	VEGETATION CONTROL (MINOR CONCRETE)	SQYD	580		
155	(F-P) 839521	CABLE RAILING	LF	180		
156	(P) 839541	TRANSITION RAILING (TYPE WB)	EA	7		
157	(P) 839576	END CAP (TYPE A)	EA	2		
158	(P) 839581	END ANCHOR ASSEMBLY (TYPE SFT)	EA	4		

ITEM NO.	ITEM CODE	ITEM DESCRIPTION	UNIT OF MEASURE	ESTIMATED QUANTITY	UNIT PRICE (In Figures)	TOTAL PRICE (In Figures)
159	(P) 839584	ALTERNATIVE IN-LINE TERMINAL SYSTEM	EA	3		
160	(P) 839585	ALTERNATIVE FLARED TERMINAL SYSTEM	EA			
161	(P) 839601	CRASH CUSHION (TYPE CAT)	EA			
162	(P) 839602	CRASH CUSHION (TYPE CAT) BACKUP	EA			
163	(P) 839608	CONCRETE BARRIER (TYPE 60) CONTRACT	EA	1		
164	839700	CONCRETE BARRIER (TYPE 60)	LF	240		
165	839700	CONCRETE BARRIER (TYPE 60)	LF	830		
166	839700	CONCRETE BARRIER (TYPE 60D)	LF	350		
167	839727	CONCRETE BARRIER (TYPE 736 MOD)	LF	556		
168	839741	BARRIER WALL	LF	130		
169	840504	4" THERMOPLASTIC TRAFFIC STRIPE	LF	14400		
170	840505	6" THERMOPLASTIC TRAFFIC STRIPE	LF	2490		
171	840506	8" THERMOPLASTIC TRAFFIC STRIPE	LF	6150		
172	840515	THERMOPLASTIC PAVEMENT MARKING	SQFT	2650		
173	840521	4" THERMOPLASTIC TRAFFIC STRIPE (BROKEN 6-1)	LF	530		
174	840525	4" THERMOPLASTIC TRAFFIC STRIPE (BROKEN 36-12)	LF	7380		
175	840526	4" THERMOPLASTIC TRAFFIC STRIPE (BROKEN 17-7)	LF	1840		
176	840551	6" THERMOPLASTIC TRAFFIC STRIPE (BROKEN 8-4)	LF	200		

ITEM NO.	ITEM CODE	ITEM DESCRIPTION	UNIT OF MEASURE	ESTIMATED QUANTITY	UNIT PRICE (In Figures)	TOTAL PRICE (In Figures)
177	850111	PAVEMENT MARKER (RETROREFLECTIVE)	EA	770		
178	860090	MAINTAINING EXISTING TRAFFIC MANAGEMENT SYSTEM ELEMENTS DURING CONSTRUCTION	LS	LUMP SUM		
179	860251	SIGNAL AND LIGHTING (LOCATION 1) (REMOVAL)	LS	LUMP SUM		
180	(P) 860298	SIGNAL AND LIGHTING (STAGE CONSTRUCTION)	LS	LUMP SUM		
181	(P) 860402	LIGHTING (LOCATION STREET)	LS	LUMP SUM		
182	(P) 860414	LIGHTING (LOCATION STREET STAGE CONSTRUCTION)	LS	LUMP SUM		
183	(P) 860550	LIGHTING AND SIGN ILLUMINATION (STAGE CONSTRUCTION)	LS	LUMP SUM		
184	(P) 861100	CAMP METERING SYSTEM	LS	LUMP SUM		
185	(P) 861491	EMERGENCY VEHICLE DETECTOR SYSTEM	LS	LUMP SUM		
186	861498	MODIFY SIGNAL AND LIGHTING (LOCATION 2)	LS	LUMP SUM		
187	861504	MODIFY LIGHTING AND SIGN ILLUMINATION	LS	LUMP SUM		
188	999990	MOBILIZATION	LS	LUMP SUM		
<b>TOTAL BID</b>						

(F) Final Pay Quantity  
(P) Item Eligible for Partial Payment  
(LS) Lump Sum  
(SWD) Sign working day

**PROPOSAL PAY ITEMS AND BID PRICE SCHEDULE  
(ENGINEER'S ESTIMATE)**

**U.S. 50 HOV LANES PHASE 0  
EL DORADO HILLS INTERCHANGE  
CONTRACT NO. PW 12-30639, CIP NO. 53124**

ITEM NO.	ITEM CODE	ITEM DESCRIPTION	UNIT OF MEASURE	ESTIMATED QUANTITY	UNIT PRICE (In Figures)	TOTAL PRICE (In Figures)
1	070012	PROGRESS SCHEDULE (CRITICAL PATH METHOD)	LS	LUMP SUM		
2	071325	TEMPORARY FENCE (TYPE ESA)	LF	1140		
3	071326	TEMPORARY HOT MIX ASPHALT	TON	27		
4	074014	FURNISH FIELD OFFICE	LS	LUMP SUM		
5	074016	CONSTRUCTION SITE MANAGEMENT	LS	LUMP SUM		
6	074019	PREPARE STORM WATER POLLUTION PREVENTION PLAN	LS	LUMP SUM		
7	074056	RAIN EVENT ACTION PLAN	EA	88	\$500.00	\$44,000.00
8	074057	STORM WATER ANNUAL REPORT	EA	4	\$2,000.00	\$8,000.00
9	074058	STORM WATER SAMPLING AND ANALYSIS DAY	EA	32		
10	120090	CONSTRUCTION AREA SIGNS	LS	LUMP SUM		
11	120100	TRAFFIC CONTROL SYSTEM	LS	LUMP SUM		
12	120149	TEMPORARY PAVEMENT MARKING (PAINT)	SQFT	2100		
13	120159	TEMPORARY TRAFFIC STRIPE (PAINT)	LF	19900		
14	120165	CHANNELIZER (SURFACE MOUNTED)	EA	210		
15	120300	TEMPORARY PAVEMENT MARKER	EA	820		
16	128650	PORTABLE CHANGEABLE MESSAGE SIGN	SWD	1000		
17	129000	TEMPORARY RAILING (TYPE K)	LF	14600		



ITEM NO.	ITEM CODE	ITEM DESCRIPTION	UNIT OF MEASURE	ESTIMATED QUANTITY	UNIT PRICE (In Figures)	TOTAL PRICE (In Figures)
18	129100	TEMPORARY CRASH CUSHION MODULE	EA	21		
19	129111	TEMPORARY CRASH CUSHION (ABSORB 350)	EA	20		
20	129150	TEMPORARY TRAFFIC SCREEN	LF	14600		
21	150200	REPLACE LANDSCAPING AND IRRIGATION	LS	LUMP SUM		
22	150204	ABANDON CULVERT	LF	240		
23	150305	OBLITERATE SURFACING	SQYD	6370		
24	150605	REMOVE FENCE	LF	1180		
25	150662	REMOVE METAL BEAM GUARD RAILING	LF	63		
26	150710	REMOVE TRAFFIC STRIPE	LF	10300		
27	150713	REMOVE PAVEMENT MARKING	SQFT	1490		
28	150722	REMOVE PAVEMENT MARKER	EA	140		
29	150742	REMOVE ROADSIDE SIGN	EA	34		
30	150757	REMOVE SIGN STRUCTURE	EA	1		
31	150771	REMOVE ASPHALT CONCRETE DIKE	LF	760		
32	150772	REMOVE CURB	LF	720		
33	150811	REMOVE ABANDONED WATER PIPELINE	LF	250		
34	150812	REMOVE PIPE	LF	1580		
35	150820	REMOVE INLET	EA	12		
36	150826	REMOVE MANHOLE	EA	12		
37	150841	REMOVE ABANDONED SEWER PIPE	LF	1340		

ITEM NO.	ITEM CODE	ITEM DESCRIPTION	UNIT OF MEASURE	ESTIMATED QUANTITY	UNIT PRICE (In Figures)	TOTAL PRICE (In Figures)
38	152390	RELOCATE ROADSIDE SIGN	EA	1		
39	152402	ADJUST WATER VALVE COVER TO GRADE	EA	1		
40	152430	ADJUST INLET	EA	6		
41	152440	ADJUST MANHOLE TO GRADE	EA	11		
42	152469	ADJUST UTILITY COVER TO GRADE	EA	13		
43	152610	MODIFY PRECAST CONCRETE MANHOLE	EA	1		
44	153103	COLD PLANE ASPHALT CONCRETE PAVEMENT	SQYD	10600		
45	153139	REMOVE CONCRETE SIDEWALK (LF)	LF	550		
46	153215	REMOVE CONCRETE (CURB AND GUTTER)	LF	3290		
47	153221	REMOVE CONCRETE BARRIER	LF	320		
48	153239	REMOVE CONCRETE (CURB, GUTTER AND SIDEWALK)	LF	420		
49	155003	CAP INLET	EA	6		
50	156585	REMOVE CRASH CUSHION	EA	1		
51	160102	CLEARING AND GRUBBING	LS	LUMP SUM		
52	(F) 190101	ROADWAY EXCAVATION	CY	68100		
53	(F) 190102	BIOFILTRATION SWALE	LF	380		
54	190110	LEAD COMPLIANCE PLAN	LS	LUMP SUM		
55	190113	ASBESTOS COMPLIANCE PLAN	LS	LUMP SUM		
56	190118	PREPARE ASBESTOS DUST MITIGATION PLAN (ADMP)	LS	LUMP SUM		
57	190140	TRENCH AND EXCAVATION SAFETY	LS	LUMP SUM		

ITEM NO.	ITEM CODE	ITEM DESCRIPTION	UNIT OF MEASURE	ESTIMATED QUANTITY	UNIT PRICE (In Figures)	TOTAL PRICE (In Figures)
58	(F)	192001	STRUCTURE EXCAVATION	CY	91	
59	(F)	193001	STRUCTURE BACKFILL	CY	46	
60	(F)	192003	STRUCTURE EXCAVATION (BRIDGE)	CY	1660	
61	(F)	193003	STRUCTURE BACKFILL (BRIDGE)	CY	2070	
62		193114	SAND BACKFILL	CY	9	
63		193118	CONCRETE BACKFILL	CY	1.6	
64		203002	EROSION CONTROL (COMPOST BLANKET)	CY	29	
65		203021	FIBER ROLLS	LF	760	
66		203025	COMPOST (INCORPORATE)	SQYD	130	
67		203026	MOVE-IN/MOVE-OUT (EROSION CONTROL)	EA	4	
68		203031	EROSION CONTROL (HYDROSEED) (SQFT)	SQFT	212000	
69		203034	ROLLED EROSION CONTROL PRODUCT (NETTING)	SQFT	20500	
70		204013	PLANT (GROUP M) ((LINER))	EA	250	
71		208310	IRRIGATION SLEEVE	LF	450	
72		260201	CLASS 2 AGGREGATE BASE	CY	13400	
73		390095	REPLACE ASPHALT CONCRETE SURFACING	CY	835	
74		390130	HOT MIX ASPHALT (DEEP LIFT)	TON	4280	
75		390132	HOT MIX ASPHALT (TYPE A)	TON	13500	
76		390138	RUBBERIZED HOT MIX ASPHALT (OPEN GRADED)	TON	1510	
77		391007	PAVING ASPHALT (BINDER, GEOSYNTHETIC PAVEMENT INTERLAYER)	TON	10	

ITEM NO.	ITEM CODE	ITEM DESCRIPTION	UNIT OF MEASURE	ESTIMATED QUANTITY	UNIT PRICE (In Figures)	TOTAL PRICE (In Figures)
78	393003	GEOSYNTHETIC PAVEMENT INTERLAYER	SQYD	7950		
79	394074	PLACE HOT MIX ASPHALT DIKE (TYPE C)	LF	1420		
80	394076	PLACE HOT MIX ASPHALT DIKE (TYPE E)	LF	4540		
81	394077	PLACE HOT MIX ASPHALT DIKE (TYPE F)	LF	350		
82	394090	PLACE HOT MIX ASPHALT (MISCELLANEOUS AREA)	SQYD	2020		
83	397005	TACK COAT	TON	58		
84	(P) 500001	PRESTRESSING CAST-IN-PLACE CONCRETE	LS	LUMP SUM		
85	(F) 510050	STRUCTURAL CONCRETE	CY	29		
86	(F) 510051	STRUCTURAL CONCRETE, BRIDGE FOOTING	CY	350		
87	(F) 510053	STRUCTURAL CONCRETE, BRIDGE	CY	750		
88	(F) 510086	STRUCTURAL CONCRETE, APPROACH SLAB (TYPE N)	CY	85		
89	(F) 510502	MINOR CONCRETE (MINOR STRUCTURE)	CY	117		
90	510527	CONCRETE (CONCRETE ANCHOR BLOCK)	CY	2		
91	511045	EXPOSED AGGREGATE FINISH	SQFT	1690		
92	511057	DRY STACK ROCK TEXTURE	SQFT	3440		
93	(P) 512226	FURNISH PRECAST PRESTRESSED CONCRETE BOX GIRDER (90'-100')	EA	10		
94	512502	ERECT PRECAST PRESTRESSED CONCRETE BOX GIRDER	EA	10		
95	(F-P) 519100	JOINT SEAL (TYPE B MR 2")	LF	78		
96	(F-P) 520101	BAR REINFORCING STEEL	LB	5279		
97	(F-P) 520102	BAR REINFORCING STEEL (BRIDGE)	LB	217784		

ITEM NO.		ITEM CODE	ITEM DESCRIPTION	UNIT OF MEASURE	ESTIMATED QUANTITY	UNIT PRICE (In Figures)	TOTAL PRICE (In Figures)
98	(F-P)	560203	FURNISH SIGN STRUCTURE (BRIDGE MOUNTED WITH WALKWAY)	LB	2200		
99	(F)	560204	INSTALL SIGN STRUCTURE (BRIDGE MOUNTED WITH WALKWAY)	LB	2200		
100	(F-P)	560218	FURNISH SIGN STRUCTURE (TRUSS)	LB	54600		
101	(F)	560219	INSTALL SIGN STRUCTURE (TRUSS)	LB	54600		
102	(P)	560244	FURNISH LAMINATED PANEL SIGN (1"-TYPE A)	SQFT	780		
103		560248	FURNISH SINGLE SHEET ALUMINUM SIGN (0.063"-UNFRAMED)	SQFT	190		
104		560249	FURNISH SINGLE SHEET ALUMINUM SIGN (0.080"-UNFRAMED)	SQFT	290		
105		560252	FURNISH SINGLE SHEET ALUMINUM SIGN (0.080"-FRAMED)	SQFT	92		
106		561014	54" CAST-IN-DRILLED-HOLE CONCRETE PILE (SIGN FOUNDATION)	LF	36		
107		561016	60" CAST-IN-DRILLED-HOLE CONCRETE PILE (SIGN FOUNDATION)	LF	22		
108		566011	ROADSIDE SIGN - ONE POST	EA	26		
109		566012	ROADSIDE SIGN - TWO POST	EA	1		
110		568001	INSTALL SIGN (STRAP AND SADDLE BRACKET METHOD)	EA	8		
111		568015	INSTALL SIGN (MAST-ARM HANGER METHOD)	EA	9		
112	(P)	641101	12" PLASTIC PIPE	LF	32		
113	(P)	641125	36" PLASTIC PIPE	LF	22		
114	(P)	650010	12" REINFORCED CONCRETE PIPE	LF	210		
115	(P)	650014	18" REINFORCED CONCRETE PIPE	LF	1990		
116	(P)	650018	24" REINFORCED CONCRETE PIPE	LF	1250		
117	(P)	650022	30" REINFORCED CONCRETE PIPE	LF	25		

ITEM NO.	ITEM CODE	ITEM DESCRIPTION	UNIT OF MEASURE	ESTIMATED QUANTITY	UNIT PRICE (In Figures)	TOTAL PRICE (In Figures)
118	(P)	650026	36" REINFORCED CONCRETE PIPE	LF	350	
119	(P)	650034	48" REINFORCED CONCRETE PIPE	LF	74	
120	(P)	665716	18" SLOTTED CORRUGATED STEEL PIPE (.064" THICK)	LF	410	
121	(P)	680286	4" PERFORATED PLASTIC PIPE	LF	1290	
122	(P)	690116	18" CORRUGATED STEEL PIPE DOWNDRAIN (.064" THICK)	LF	61	
123	(P)	692307	18" ANCHOR ASSEMBLY	EA	6	
124		700617	DRAINAGE INLET MARKER	EA	13	
125	(P)	702016	18" TO 12" CORRUGATED STEEL REDUCER (.064" THICK)	EA	6	
126	(P)	703233	GRATED LINE DRAIN	LF	430	
127	(P)	705011	18" STEEL FLARED END SECTION	EA	1	
128	(P)	705204	18" CONCRETE FLARED END SECTION	EA	3	
129	(P)	705206	24" CONCRETE FLARED END SECTION	EA	3	
130	(P)	707117	36" PRECAST CONCRETE PIPE INLET	LF	13	
131	(P)	707217	36" PRECAST CONCRETE PIPE MANHOLE	LF	6	
132	(P)	707233	60" PRECAST CONCRETE PIPE MANHOLE	LF	51	
133	(P)	707241	72" PRECAST CONCRETE PIPE MANHOLE	LF	44	
134		709522	INLET DEPRESSION	EA	42	
135		719569	MINOR CONCRETE (PIPE ENCASEMENT)	CY	36	
136		721010	ROCK SLOPE PROTECTION (BACKING NO. 1, METHOD B)	CY	64	
137		721431	CONCRETE (CONCRETE APRON)	CY	2.5	

ITEM NO.		ITEM CODE	ITEM DESCRIPTION	UNIT OF MEASURE	ESTIMATED QUANTITY	UNIT PRICE (In Figures)	TOTAL PRICE (In Figures)
138	(P)	729011	ROCK SLOPE PROTECTION FABRIC (CLASS 8)	SQYD	190		
139		730020	MINOR CONCRETE (CURB) (CY)	CY	62		
140		731502	MINOR CONCRETE (MISCELLANEOUS CONSTRUCTION)	CY	52		
141		731504	MINOR CONCRETE (CURB AND GUTTER)	CY	40		
142		731516	MINOR CONCRETE (DRIVEWAY)	CY	9.5		
143		731521	MINOR CONCRETE (SIDEWALK)	CY	220		
144		731530	MINOR CONCRETE (TEXTURED PAVING)	CY	170		
145	(F-P)	750001	MISCELLANEOUS IRON AND STEEL	LB	25200		
146	(P)	800320	CHAIN LINK FENCE (TYPE CL-4)	LF	830		
147	(P)	800360	CHAIN LINK FENCE (TYPE CL-6)	LF	360		
148		820106	CONCRETE BARRIER DELINEATOR (TYPE F)	EA	10		
149		820107	DELINEATOR (CLASS 1)	EA	38		
150		820110	HIGHWAY POST MARKER	EA	6		
151		820141	OBJECT MARKER (TYPE K-1)	EA	4		
152		820151	OBJECT MARKER (TYPE L-1)	EA	5		
153	(P)	832003	METAL BEAM GUARD RAILING (WOOD POST)	LF	1140		
154		832070	VEGETATION CONTROL (MINOR CONCRETE)	SQYD	580		
155	(F-P)	839521	CABLE RAILING	LF	180		
156	(P)	839541	TRANSITION RAILING (TYPE WB)	EA	7		
157	(P)	839576	END CAP (TYPE A)	EA	2		

ITEM NO.	ITEM CODE	ITEM DESCRIPTION	UNIT OF MEASURE	ESTIMATED QUANTITY	UNIT PRICE (In Figures)	TOTAL PRICE (In Figures)
158	(P)	839581	END ANCHOR ASSEMBLY (TYPE SFT)	EA	4	
159	(P)	839584	ALTERNATIVE IN-LINE TERMINAL SYSTEM	EA	3	
160	(P)	839585	ALTERNATIVE FLARED TERMINAL SYSTEM	EA	2	
161	(P)	839601	CRASH CUSHION (TYPE CAT)	EA	1	
162	(P)	839602	CRASH CUSHION (TYPE CAT) BACKUP	EA	1	
163	(P)	839608	CRASH CUSHION (SHORTRACC)	EA	1	
164		839700	CONCRETE BARRIER (TYPE 60F)	LF	240	
165		839701	CONCRETE BARRIER (TYPE 60)	LF	830	
166		839704	CONCRETE BARRIER (TYPE 60D)	LF	350	
167		839727	CONCRETE BARRIER (TYPE 736 MOD)	LF	556	
168		839741	BARRIER WALL	LF	130	
169		840504	4" THERMOPLASTIC TRAFFIC STRIPE	LF	14400	
170		840505	6" THERMOPLASTIC TRAFFIC STRIPE	LF	2490	
171		840506	8" THERMOPLASTIC TRAFFIC STRIPE	LF	6150	
172		840515	THERMOPLASTIC PAVEMENT MARKING	SQFT	2650	
173		840521	4" THERMOPLASTIC TRAFFIC STRIPE (BROKEN 6-1)	LF	530	
174		840525	4" THERMOPLASTIC TRAFFIC STRIPE (BROKEN 36-12)	LF	7380	
175		840526	4" THERMOPLASTIC TRAFFIC STRIPE (BROKEN 17-7)	LF	1840	
176		840551	6" THERMOPLASTIC TRAFFIC STRIPE (BROKEN 8-4)	LF	200	
177		850111	PAVEMENT MARKER (RETROREFLECTIVE)	EA	770	



ITEM NO.	ITEM CODE	ITEM DESCRIPTION	UNIT OF MEASURE	ESTIMATED QUANTITY	UNIT PRICE (In Figures)	TOTAL PRICE (In Figures)
178	860090	MAINTAINING EXISTING TRAFFIC MANAGEMENT SYSTEM ELEMENTS DURING CONSTRUCTION	LS	LUMP SUM		
179	860251	SIGNAL AND LIGHTING (LOCATION 1) (REMOVAL)	LS	LUMP SUM		
180	(P) 860298	SIGNAL AND LIGHTING (STAGE CONSTRUCTION)	LS	LUMP SUM		
181	(P) 860402	LIGHTING (COUNTY STREET)	LS	LUMP SUM		
182	(P) 860415	LIGHTING (COUNTY STREET) (STAGE CONSTRUCTION)	LS	LUMP SUM		
183	(P) 860556	LIGHTING AND SIGN ILLUMINATION (STAGE CONSTRUCTION)	LS	LUMP SUM		
184	(P) 861100	RAMP METERING SYSTEM	LS	LUMP SUM		
185	(P) 861491	EMERGENCY VEHICLE DETECTOR SYSTEM	LS	LUMP SUM		
186	861498	MODIFY SIGNAL AND LIGHTING (LOCATION 2)	LS	LUMP SUM		
187	861504	MODIFY LIGHTING AND SIGN ILLUMINATION	LS	LUMP SUM		
188	999990	MOBILIZATION	LS	LUMP SUM		
<b>TOTAL BID</b>						

(F) Final Pay Quantity  
(P) Item Eligible for Partial Payment  
(LS) Lump Sum  
(SWD) Sign working day

(NOTICE: Bidder's failure to execute the questionnaires and statements contained in this Proposal as required by applicable laws and regulations, or the determinations by El Dorado County based upon those questionnaires and statements, may prohibit award of the subject Contract to the Bidder.)

**Chart No. 1  
Freeway/ Lane Requirements**

County: <b>El Dorado</b>	Route/Direction: <b>SR 50/WB</b>	PM: <b>0.6/1.35</b>																							
Closure Limits: <b>PM 0.0/2.9</b>																									
<b>FROM HOUR TO HOUR</b>	<b>24</b>	<b>1</b>	<b>2</b>	<b>3</b>	<b>4</b>	<b>5</b>	<b>6</b>	<b>7</b>	<b>8</b>	<b>9</b>	<b>10</b>	<b>11</b>	<b>12</b>	<b>13</b>	<b>14</b>	<b>15</b>	<b>16</b>	<b>17</b>	<b>18</b>	<b>19</b>	<b>20</b>	<b>21</b>	<b>22</b>	<b>23</b>	<b>24</b>
Mondays through Thursdays	1	1	1	1	1	2					2	2	2	2	2					2	1	1	1	1	
Fridays	1	1	1	1	1	2					2	2	2	2	2					2	2	2	1	1	
Saturdays	1	1	1	1	1	1	1	1	2	2	2	2	2	2	2	2	2	2	2	2	2	2	1	1	
Sundays	1	1	1	1	1	1	1	1	1	2	2	2	2	2	2	2	2	2	2	2	2	2	1	1	

Legend:

- 1 Provide at least one through freeway lane open in direction of travel
- 2 Provide at least two adjacent through freeway lanes open in direction of travel
- Work allowed within the highway where shoulder or lane closure is not required

REMARKS:

- 3 traffic lanes are available on SR-50 in direction of travel.
- See Lane closure restriction for designated legal holidays and special days table in maintain traffic of these special provisions for additional closure restrictions.
- Night time construction activity must not exceed 14 consecutive days.

Dist	COUNTY	ROUTE	POST MILES TOTAL PROJECT	SHEET No.	TOTAL SHEETS
03	ED	50	0.60/1.35	2 R1	245

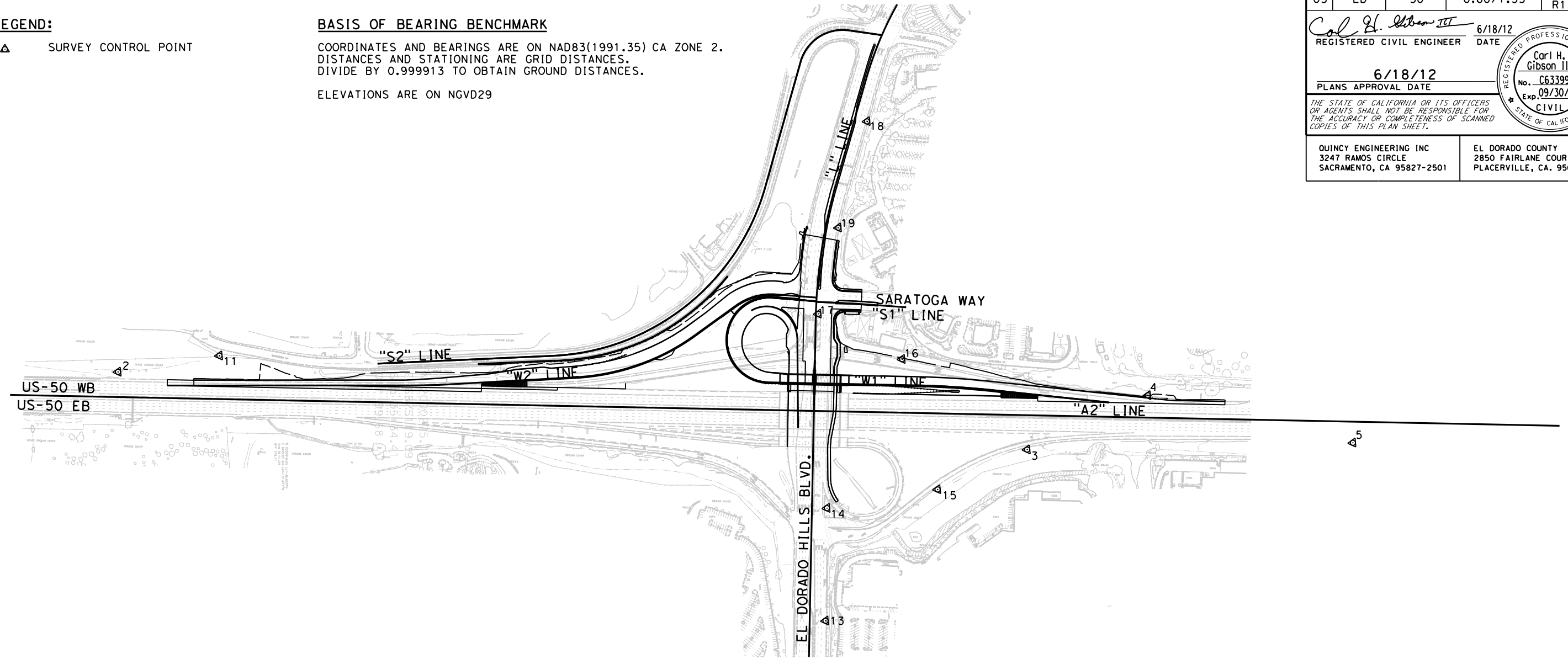
*Carl H. Gibson III* 6/18/12  
 REGISTERED CIVIL ENGINEER DATE  
 6/18/12  
 PLANS APPROVAL DATE  
THE STATE OF CALIFORNIA OR ITS OFFICERS OR AGENTS SHALL NOT BE RESPONSIBLE FOR THE ACCURACY OR COMPLETENESS OF SCANNED COPIES OF THIS PLAN SHEET.

REGISTERED PROFESSIONAL ENGINEER  
 Carl H. Gibson III  
 No. C63399  
 Exp. 09/30/12  
 CIVIL  
 STATE OF CALIFORNIA

QUINCY ENGINEERING INC 3247 RAMOS CIRCLE SACRAMENTO, CA 95827-2501	EL DORADO COUNTY 2850 FAIRLANE COURT PLACERVILLE, CA. 95667
--	---

**LEGEND:**  
 ▲ SURVEY CONTROL POINT

**BASIS OF BEARING BENCHMARK**  
 COORDINATES AND BEARINGS ARE ON NAD83(1991.35) CA ZONE 2.  
 DISTANCES AND STATIONING ARE GRID DISTANCES.  
 DIVIDE BY 0.999913 TO OBTAIN GROUND DISTANCES.  
 ELEVATIONS ARE ON NGVD29



NO.	POINT #	COORDINATES		ELEVATION	LINE	STATION	OFFSET	LT/RT	DESCRIPTION
		NORTHING	EASTING						
1	25105	1999123.000	6823071.754	651.862	A2	11+95.15	82.41	RT	121 PRH FD CDOH BC
2	25107	1999995.705	6824627.916	643.011	A2	29+70.51	94.66	LT	120 PRHV FD CDOH BC
3	25118	2001165.082	6827867.515	603.995	A2	64+07.36	130.02	RT	120 PRHV FD CDOH BC
4	25119	2001541.745	6828195.569	611.941	A2	68+58.73	83.9	LT	120 PRHV FD CDOH BC
5	25120	2001702.890	6828973.291	645.681	A2	76+35.95	79.63	RT	120 PRHV FD CDOH BC
6	25124	2002545.427	6830886.322	695.468	A2	97+27.96	71.8	RT	120 PRHV FD CDOH BC
7	25133	2002653.055	6834532.230	883.505	-	-	-	-	120 PRHV FD CDOH BC
8	25135	2001808.690	6835645.256	991.809	-	-	-	-	120 PRHV FD CDOH BC
9	25136	2001696.440	6836289.621	1032.19	-	-	-	-	120 PRHV FD CDOH BC
10	25137	2001582.677	6836894.715	1042.212	-	-	-	-	120 PRHV FD CDOH BC
11	25108REY	2000211.421	6824949.974	683.18	W2	33+54.14	112.56	LT	120 PRHV FD CDOH BC
12	25122REY	2002391.240	6830131.824	685.613	A2	89+73.13	87.61	LT	120 PRHV FD CDOH BC
13	FX179	2000259.576	6827446.865	619.337	L	503+53.27	60.29	RT	140 PHHV FD MAG
14	FX180	2000648.085	6827273.611	610.18	L	507+78.65	56.98	RT	140 PHHV FD MAG
15	FX181	2000886.911	6827623.311	607.137	L	508+57.58	473.03	RT	140 PHHV FD MAG
16	FX182	2001277.763	6827295.805	606.93	W1	59+27.20	98.02	LT	140 PHHV FD MAG
17	FX183	2001300.709	6826936.891	621.622	L	515+11.58	9.44	RT	140 PHHV FD MAG
18	FX184	2002037.857	6826800.122	655.972	L	522+68.42	47.51	RT	140 PHHV FD MAG
19	FX185	2001627.917	6826869.609	640.679	L	518+48.66	47.71	RT	140 PHHV FD MAG
20	FX186	2002545.752	6826766.672	658.323	L	527+89.35	43.95	RT	140 PHHV FD MAG

MARK	DATE	DESCRIPTIONS	BY	CH'D
▲	7-12	SURVEY CONTROL DATA REVISIONS	VFD	CG3
REVISIONS				

**CONSTRUCTION STAKING  
SURVEY CONTROL DATA**

SCALE: 1"=200'

**CSS-1**

NOTE: SOME SURVEY CONTROL POINTS ARE OUTSIDE THE LIMITS OF THIS SHEET AND ARE NOT SHOWN.

STATE OF CALIFORNIA - DEPARTMENT OF TRANSPORTATION	CONSULTANT - FUNCTIONAL SUPERVISOR	REVISOR
R. BRENT LEMON	ERIN SICKLER	CARL GIBSON
CHECKED BY	DESIGNED BY	DATE REVISED
R. BRENT LEMON	ERIN SICKLER	CARL GIBSON

LAST REVISION DATE PLOTTED => 7/10/2012 00:00:00 TIME PLOTTED => 7:24:55 AM

**NOTES:**

1. DIMENSIONS OF THE PAVEMENT STRUCTURES (STRUCTURAL SECTIONS) ARE SUBJECT TO TOLERANCES SPECIFIED IN THE STANDARD SPECIFICATIONS.
2. SHOULDER AREAS WITH SUPERELEVATIONS SHALL BE PAVED RHMA-O FROM EDGE OF TRAVELWAY TO EDGE OF TRAVELWAY OR AS DIRECTED BY THE ENGINEER.
3. SEE SUMMARY OF QUANTITY SHEETS AND CONSTRUCTION DETAIL SHEETS FOR EXACT LOCATIONS OF METAL BEAM GUARD RAILING.
4. SEE SUMMARY OF QUANTITY SHEETS AND LAYOUT SHEETS FOR EXACT LOCATIONS AND TYPE OF DIKE.
5. SEE SUMMARY OF QUANTITY SHEETS AND CONSTRUCTION DETAIL SHEETS FOR EXACT LOCATIONS OF CONCRETE BARRIER.
6. SEE DRAINAGE SHEETS FOR EXACT LOCATIONS OF MEDIAN FLOW LINE.
7. SEE DRAINAGE DETAIL SHEETS FOR LOCATIONS AND THICKNESS OF DITCHES.
8. SUPERELEVATIONS ARE SHOWN ON THE SUPERELEVATION DIAGRAMS.
9. ALL HMA, EXCEPT FINAL LIFT, SHALL BE HOT MIX ASPHALT (DEEP LIFT).

**ABBREVIATIONS:**

- TCE TEMPORARY CONSTRUCTION EASEMENT
- RHMA-O RUBBERIZED HOT MIX ASPHALT (OPEN GRADED)
- BOS BACK OF SIDEWALK
- SR SUPERELEVATION RATE
- OGFC OPEN GRADED FRICTION COURSE

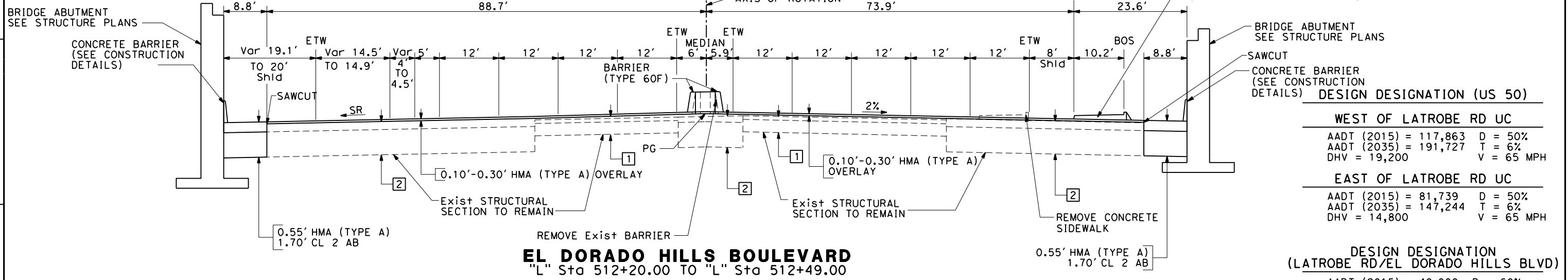
MARK	DATE	DESCRIPTIONS	BY	CH'D
7-12		HOT MIX ASPHALT (DEEP LIFT) REVISIONS	VFD	CG3
REVISIONS				

Dist	COUNTY	ROUTE	POST MILES TOTAL PROJECT	SHEET No.	TOTAL SHEETS
03	ED	50	0.60/1.35	3 R1	245

*Carl H. Gibson III*  
 REGISTERED CIVIL ENGINEER DATE 6/18/12  
 PLANS APPROVAL DATE 6/18/12  
 No. C63399  
 Exp. 09/30/12  
 CIVIL  
 STATE OF CALIFORNIA

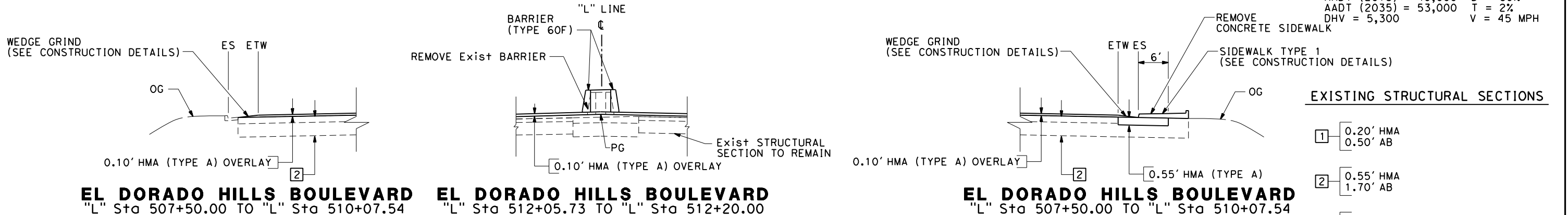
QUINCY ENGINEERING INC  
 3247 RAMOS CIRCLE  
 SACRAMENTO, CA 95827-2501

EL DORADO COUNTY  
 2850 FAIRLANE COURT  
 PLACERVILLE, CA. 95667



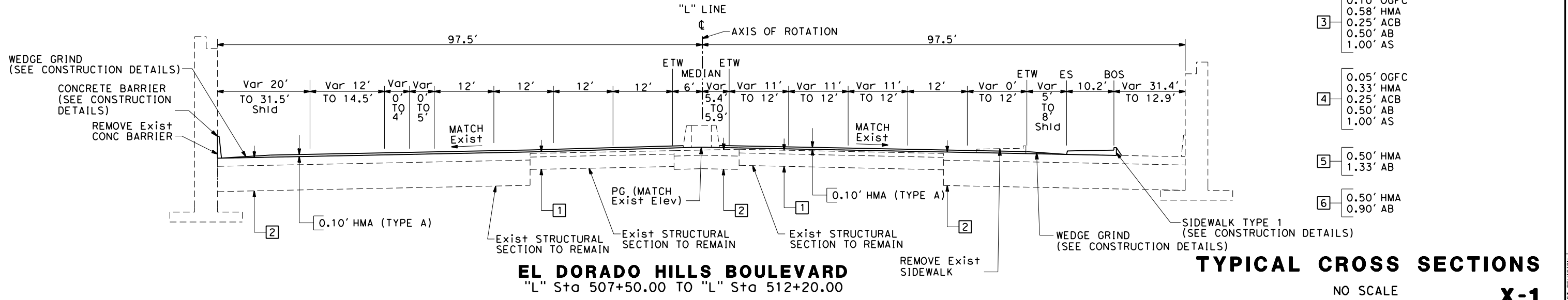
**DESIGN DESIGNATION (US 50)**

<b>WEST OF LATROBE RD UC</b>			
AADT (2015) = 117,863	D = 50%	AADT (2035) = 191,727	T = 6%
DHV = 19,200	V = 65 MPH		
<b>EAST OF LATROBE RD UC</b>			
AADT (2015) = 81,739	D = 50%	AADT (2035) = 147,244	T = 6%
DHV = 14,800	V = 65 MPH		
<b>DESIGN DESIGNATION (LATROBE RD/EL DORADO HILLS BLVD)</b>			
AADT (2015) = 40,000	D = 60%	AADT (2035) = 53,000	T = 2%
DHV = 5,300	V = 45 MPH		



**EXISTING STRUCTURAL SECTIONS**

1	0.20' HMA 0.50' AB
2	0.55' HMA 1.70' AB
3	0.10' OGFC 0.58' HMA 0.25' ACB 0.50' AB 1.00' AS
4	0.05' OGFC 0.33' HMA 0.25' ACB 0.50' AB 1.00' AS
5	0.50' HMA 1.33' AB
6	0.50' HMA 0.90' AB



**TYPICAL CROSS SECTIONS**  
NO SCALE  
**X-1**

STATE OF CALIFORNIA - DEPARTMENT OF TRANSPORTATION  
**Caltrans**  
 CONSULTANT: FUNCTIONAL SUPERVISOR: R. BRENT LEMON  
 CALCULATED/DESIGNED BY: ERIN SICKLER  
 CHECKED BY: CARL GIBSON  
 REVISED BY: DATE  
 REVISIONS

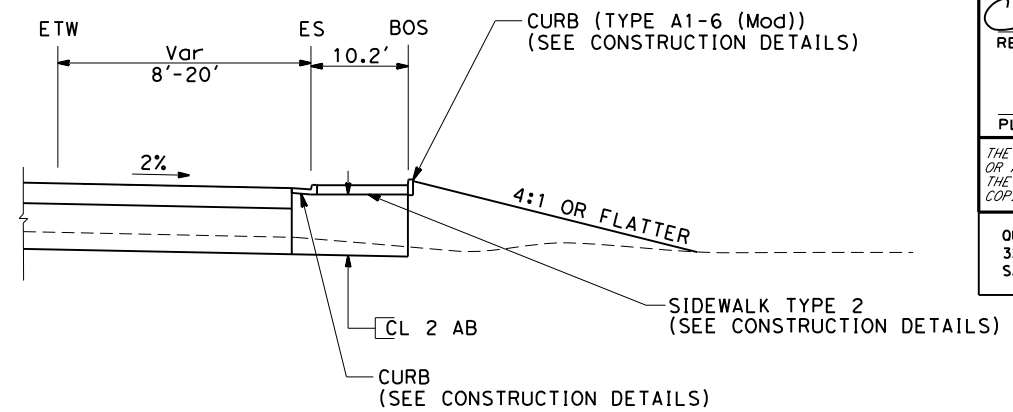
MARK	DATE	DESCRIPTIONS	BY	CH'D
▲	7-12	HOT MIX ASPHALT (DEEP LIFT) REVISIONS	VFD	CG3
REVISIONS				

Dist	COUNTY	ROUTE	POST MILES TOTAL PROJECT	SHEET No.	TOTAL SHEETS
03	ED	50	0.60/1.35	4 R1	245

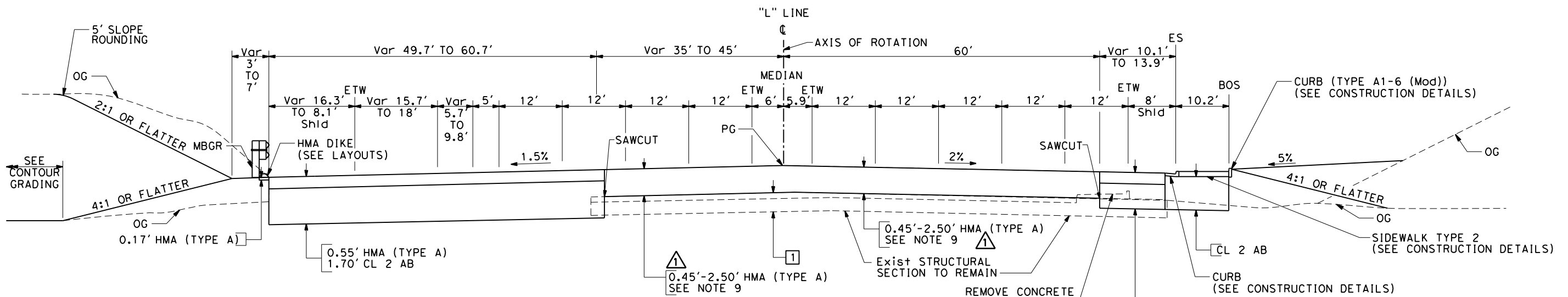
6/18/12  
 REGISTERED CIVIL ENGINEER DATE  
 PLANS APPROVAL DATE  
 No. C63399  
 Exp. 09/30/12  
 CIVIL  
 STATE OF CALIFORNIA

QUINCY ENGINEERING INC  
 3247 RAMOS CIRCLE  
 SACRAMENTO, CA 95827-2501

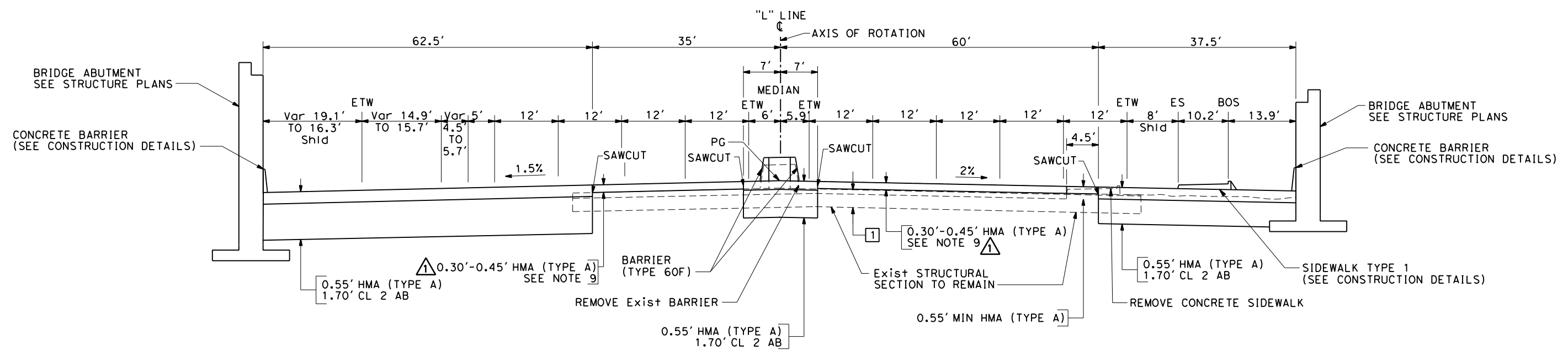
EL DORADO COUNTY  
 2850 FAIRLANE COURT  
 PLACERVILLE, CA. 95667



**EL DORADO HILLS BOULEVARD**  
 "L" Sta 513+13.38 TO "L" Sta 514+18.38



**EL DORADO HILLS BOULEVARD**  
 "L" Sta 512+82.29 TO "L" Sta 514+57.36



**EL DORADO HILLS BOULEVARD**  
 "L" Sta 512+49.00 TO "L" Sta 512+82.29

**TYPICAL CROSS SECTIONS**  
 NO SCALE  
**X-2**

Dist	COUNTY	ROUTE	POST MILES TOTAL PROJECT	SHEET No.	TOTAL SHEETS
03	ED	50	0.60/1.35	5 R1	245

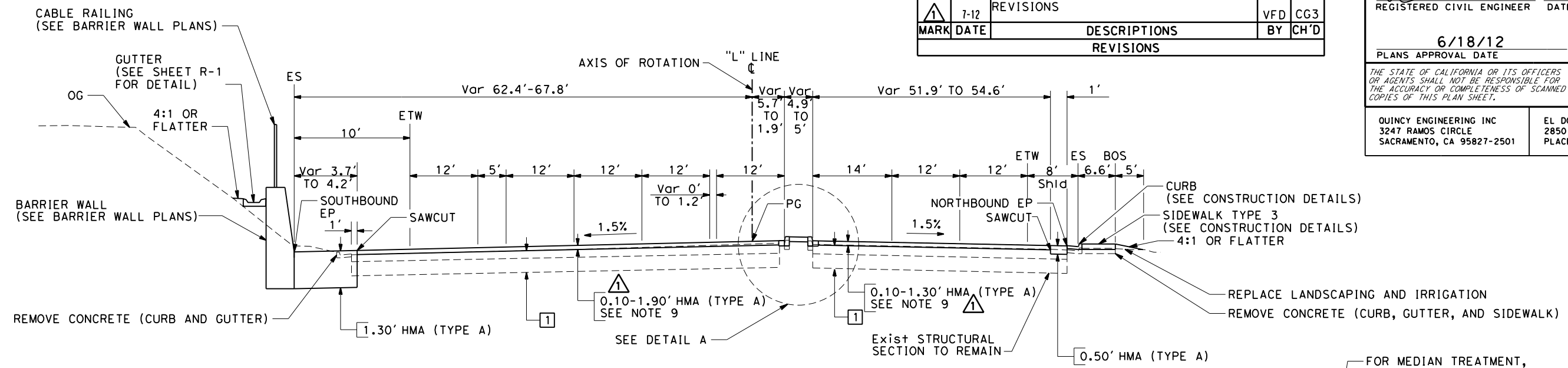
  

Col. H. Gibson III REGISTERED CIVIL ENGINEER DATE 6/18/12		
PLANS APPROVAL DATE 6/18/12		

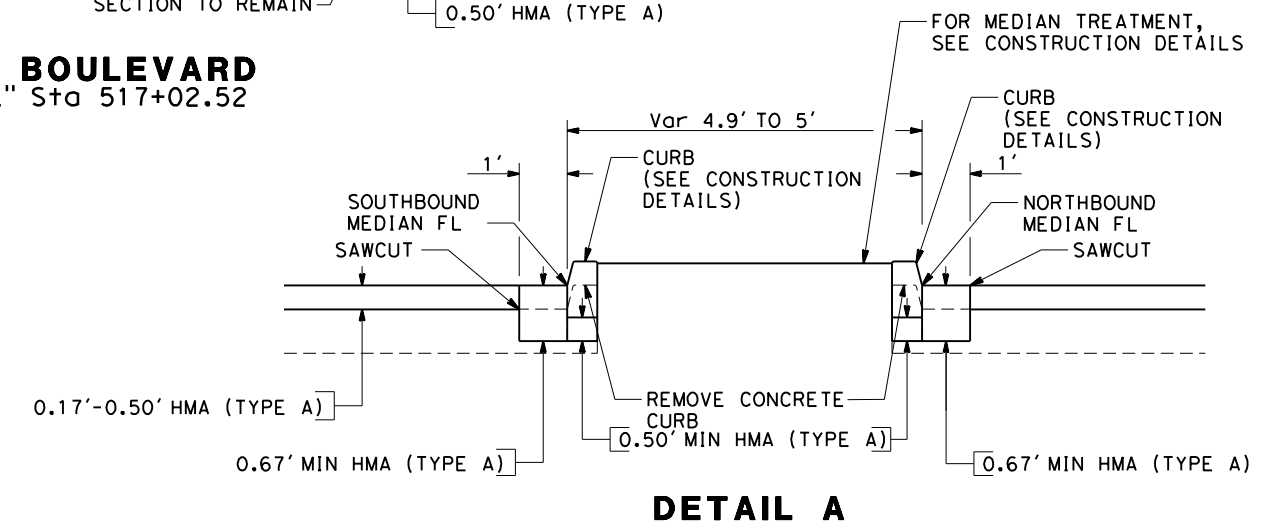
  

QUINCY ENGINEERING INC 3247 RAMOS CIRCLE SACRAMENTO, CA 95827-2501	EL DORADO COUNTY 2850 FAIRLANE COURT PLACERVILLE, CA. 95667
--	---

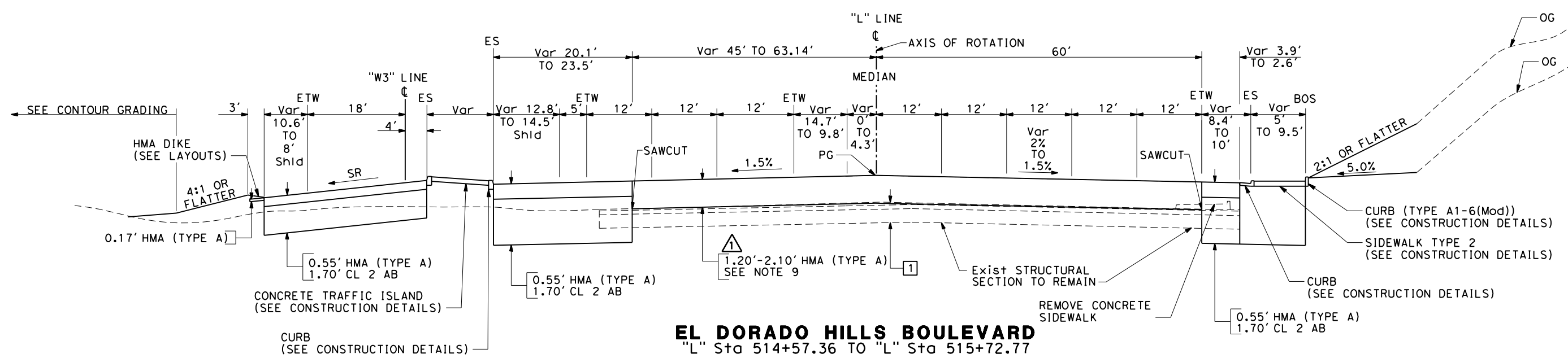
HOT MIX ASPHALT (DEEP LIFT) REVISIONS			
MARK	DATE	DESCRIPTIONS	BY CH'D
1	7-12		VFD CG3



**EL DORADO HILLS BOULEVARD**  
 "L" Sta 515+72.77 TO "L" Sta 517+02.52



**DETAIL A**



**EL DORADO HILLS BOULEVARD**  
 "L" Sta 514+57.36 TO "L" Sta 515+72.77

**TYPICAL CROSS SECTIONS**

NO SCALE **X-3**

STATE OF CALIFORNIA - DEPARTMENT OF TRANSPORTATION	CONSULTANT FUNCTIONAL SUPERVISOR	REVISOR
Ervin SICKLER	R. BRENT LEMON	ERIN SICKLER
Carl GIBSON		CARL GIBSON
Checked by	Designed by	Revised by

**NOTES:**

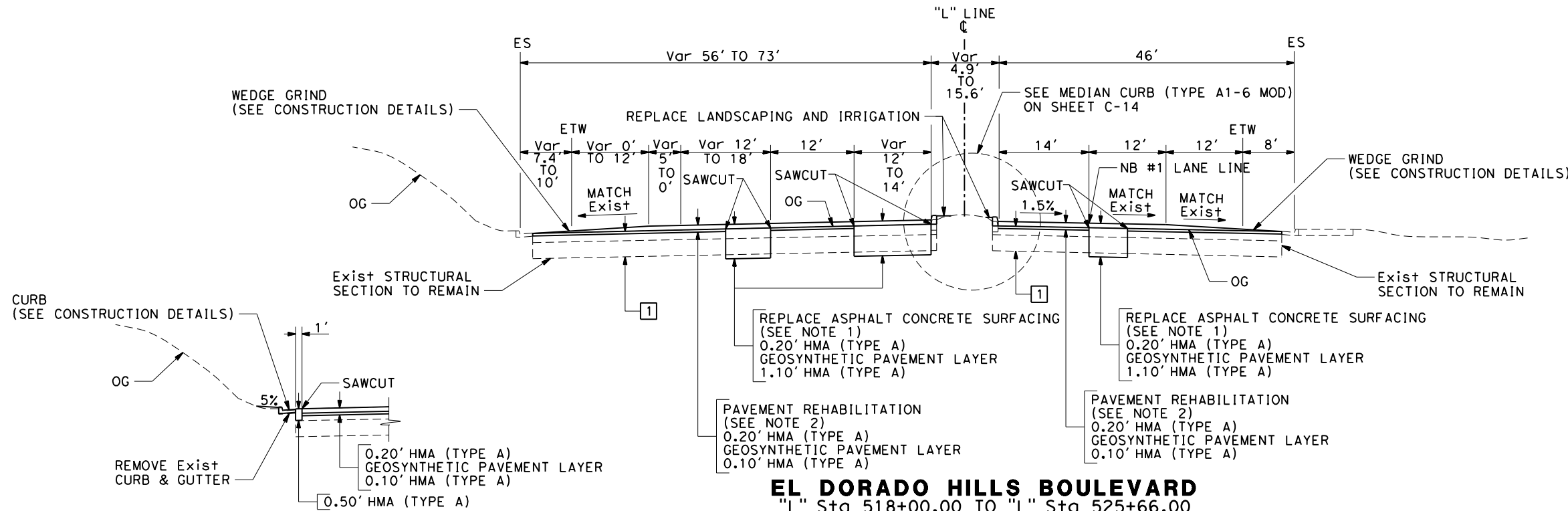
- FOR EXACT LOCATIONS OF REPLACE ASPHALT CONCRETE SURFACING AREAS, SEE LAYOUT AND CONSTRUCTION DETAIL SHEETS. LOCATIONS SHOWN ON TYPICAL SECTIONS ARE SCHEMATIC ONLY.
- FOR EXACT LOCATIONS OF PAVEMENT REHABILITATION AREAS, SEE LAYOUT AND CONSTRUCTION DETAIL SHEETS. LOCATIONS SHOWN ON TYPICAL SECTIONS ARE SCHEMATIC ONLY.

7-12	HOT MIX ASPHALT (DEEP LIFT) REVISIONS	VFD	CG3
MARK	DATE	DESCRIPTIONS	BY
		REVISIONS	CH'D

Dist	COUNTY	ROUTE	POST MILES TOTAL PROJECT	SHEET No.	TOTAL SHEETS
03	ED	50	0.60/1.35	6 R1	245

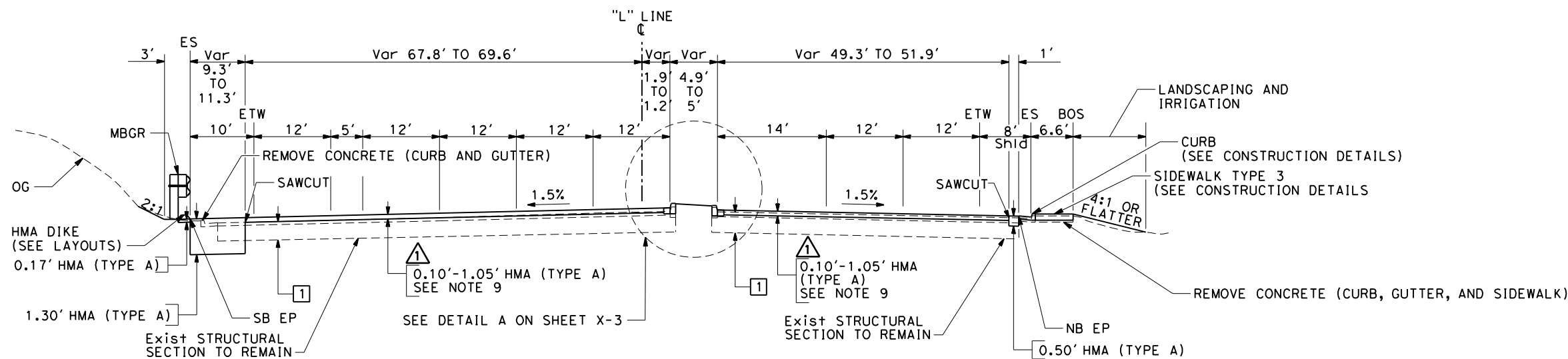
*Carl H. Gibson III*  
 REGISTERED CIVIL ENGINEER DATE 6/18/12  
 PLANS APPROVAL DATE 6/18/12  
 No. C63399  
 Exp. 09/30/12  
 CIVIL  
 STATE OF CALIFORNIA

QUINCY ENGINEERING INC  
 3247 RAMOS CIRCLE  
 SACRAMENTO, CA 95827-2501  
 EL DORADO COUNTY  
 2850 FAIRLANE COURT  
 PLACERVILLE, CA. 95667



**EL DORADO HILLS BOULEVARD**  
 "L" Sta 518+00.00 TO "L" Sta 518+29.49

**EL DORADO HILLS BOULEVARD**  
 "L" Sta 518+00.00 TO "L" Sta 525+66.00



**EL DORADO HILLS BOULEVARD**  
 "L" Sta 517+02.52 TO "L" Sta 518+00.00

**TYPICAL CROSS SECTIONS**

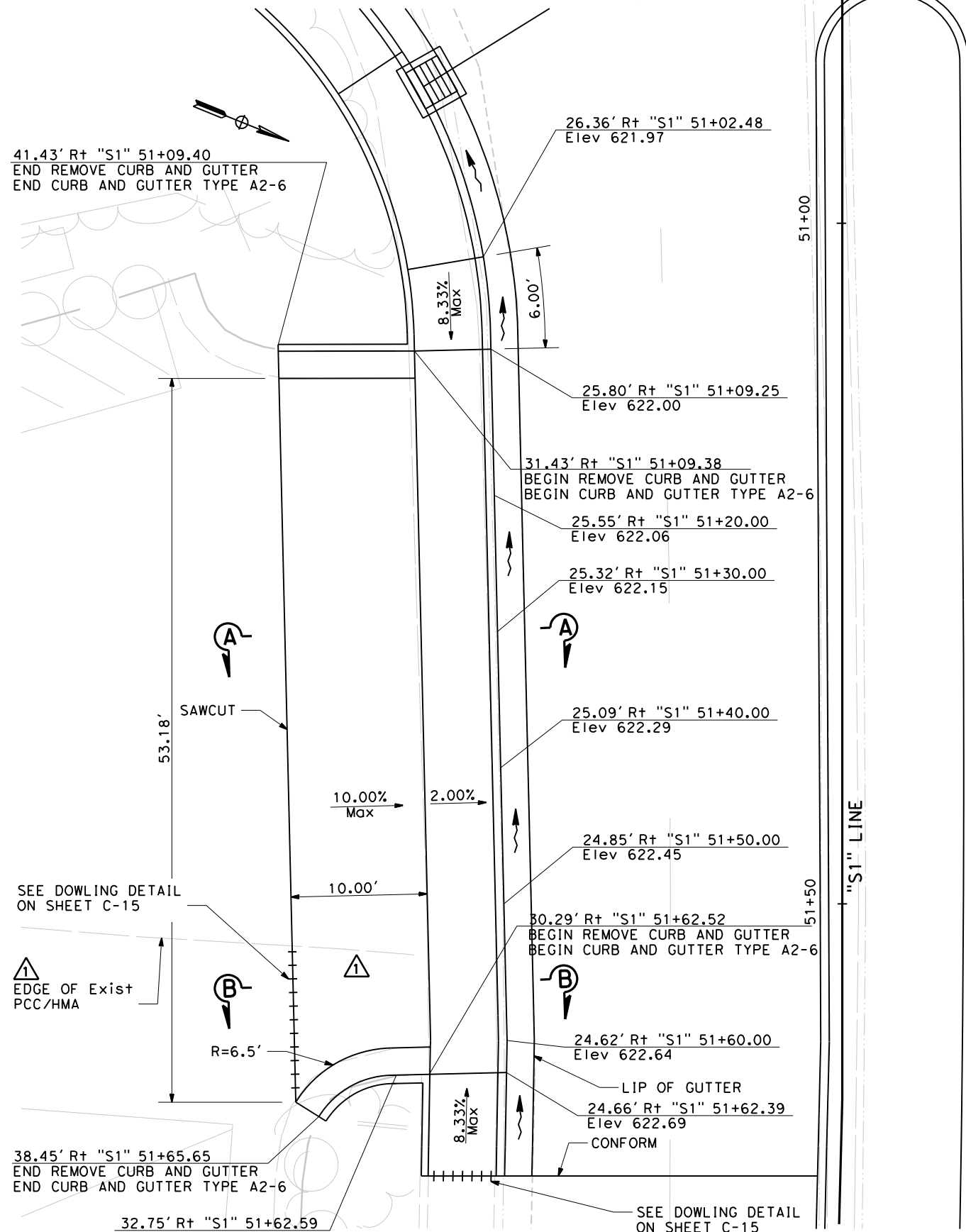
NO SCALE

**X-4**

FOR COMPLETE RIGHT OF WAY AND ACCURATE ACCESS DATA, SEE RIGHT OF WAY RECORD MAPS AT DISTRICT OFFICE, AND COUNTY SURVEYORS OFFICE.

**NOTES:**

1. ALL CALLOUTS REFER TO CURB FLOWLINE UNLESS OTHERWISE NOTED.
2. CONTRACTOR TO PROVIDE 24 HOUR PUBLIC DRIVEWAY ACCESS (20' WIDE MIN).



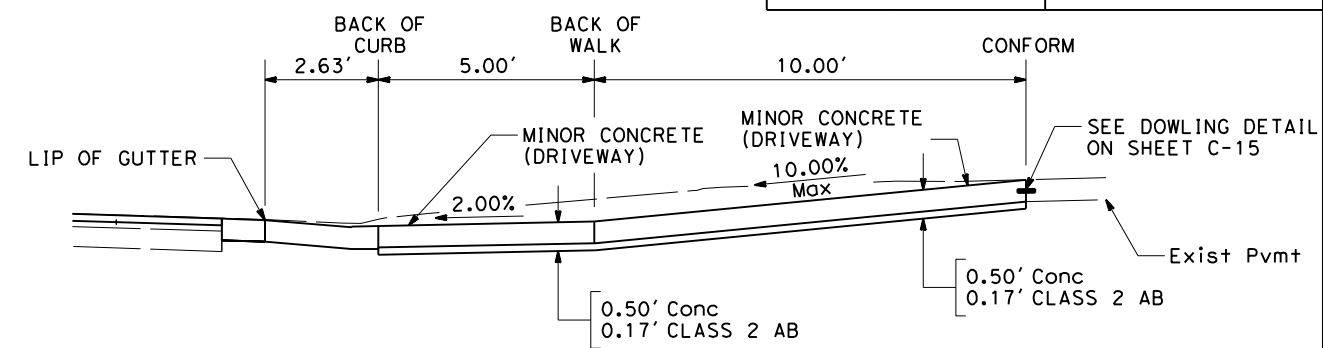
**PLAN**

MARK	DATE	DESCRIPTIONS	BY	CH'D
▲	7-12	MINOR CONCRETE (DRIVEWAY) REVISION	VFD	CG3
REVISIONS				

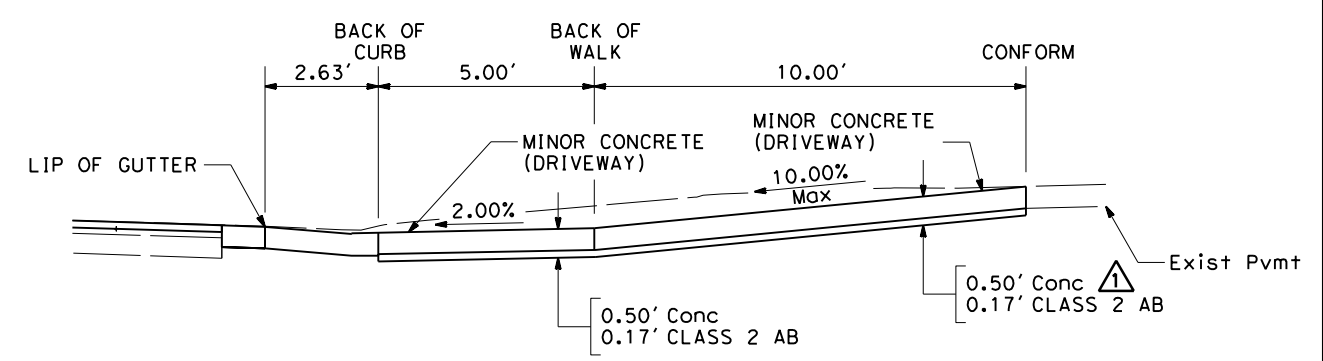
Dist	COUNTY	ROUTE	POST MILES TOTAL PROJECT	SHEET No.	TOTAL SHEETS
03	ED	50	0.60/1.35	26 R1	245

Col. H. Gibson III  
 REGISTERED CIVIL ENGINEER  
 DATE 6/18/12  
 PLANS APPROVAL DATE 6/18/12  
 No. C63399  
 Exp. 09/30/12  
 CIVIL  
 STATE OF CALIFORNIA

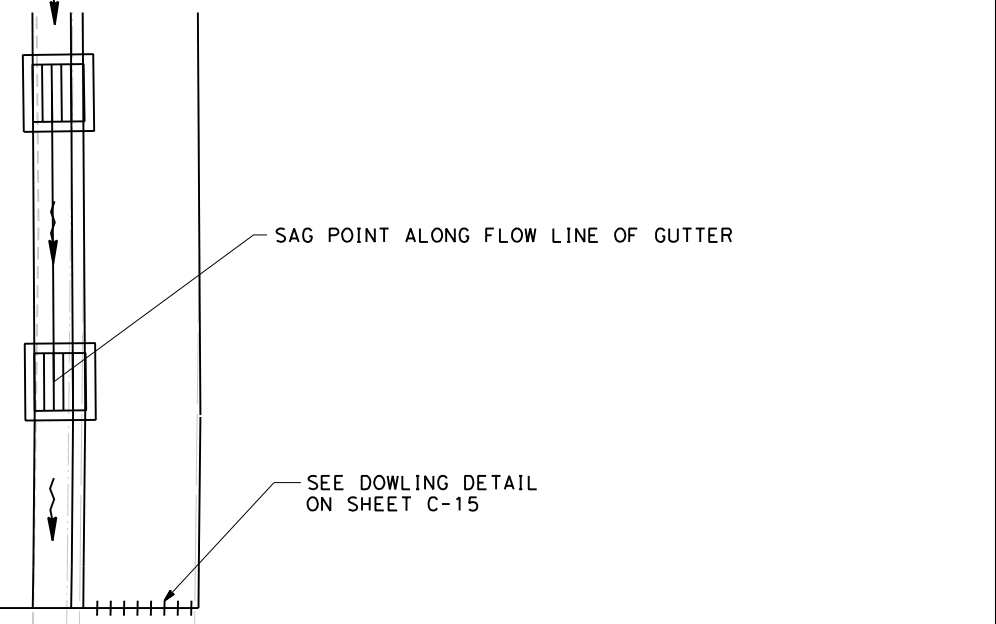
QUINCY ENGINEERING INC  
 3247 RAMOS CIRCLE  
 SACRAMENTO, CA 95827-2501  
 EL DORADO COUNTY  
 2850 FAIRLANE COURT  
 PLACERVILLE, CA. 95667



**SECTION B-B**



**SECTION A-A**



**CONSTRUCTION DETAILS**

NO SCALE **C-3**

**DRIVEWAY DETAILS**



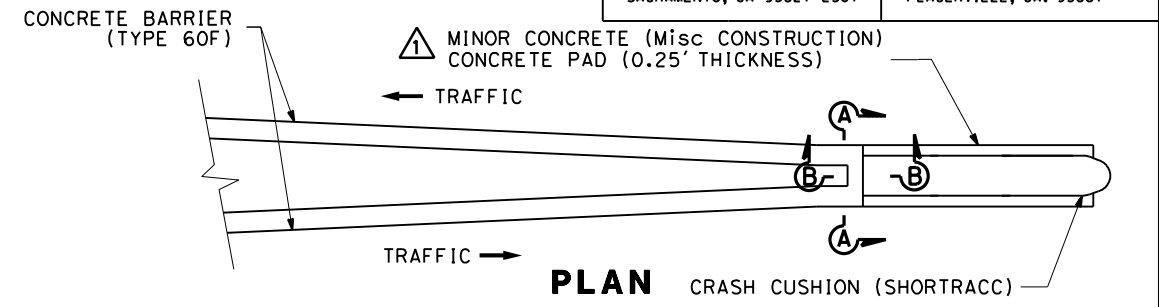
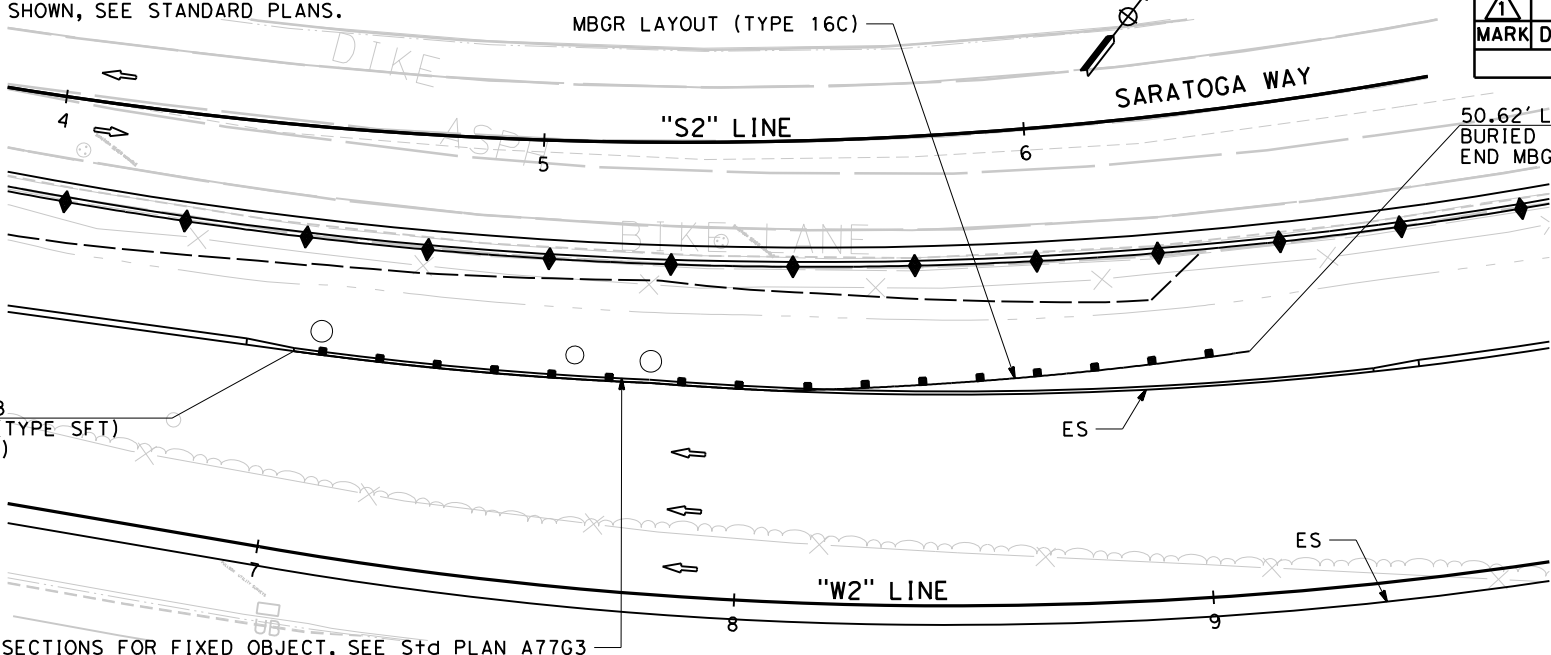
NOTES:  
1. FOR DETAILS NOT SHOWN, SEE STANDARD PLANS.

MARK	DATE	DESCRIPTIONS	BY	CH'D
1	7-12	CONCRETE PAD REVISION	VFD	CG3
		REVISIONS		

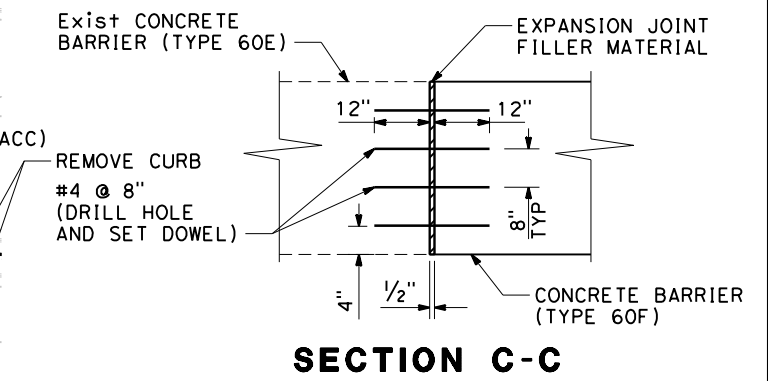
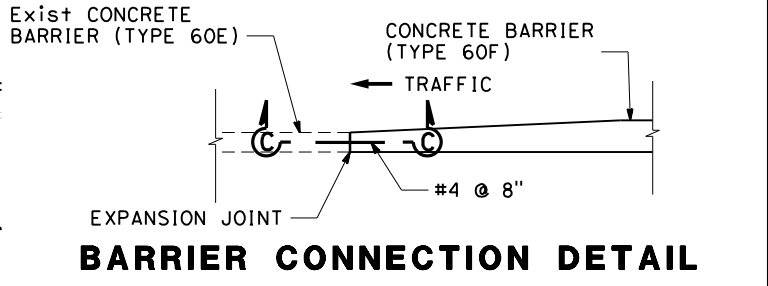
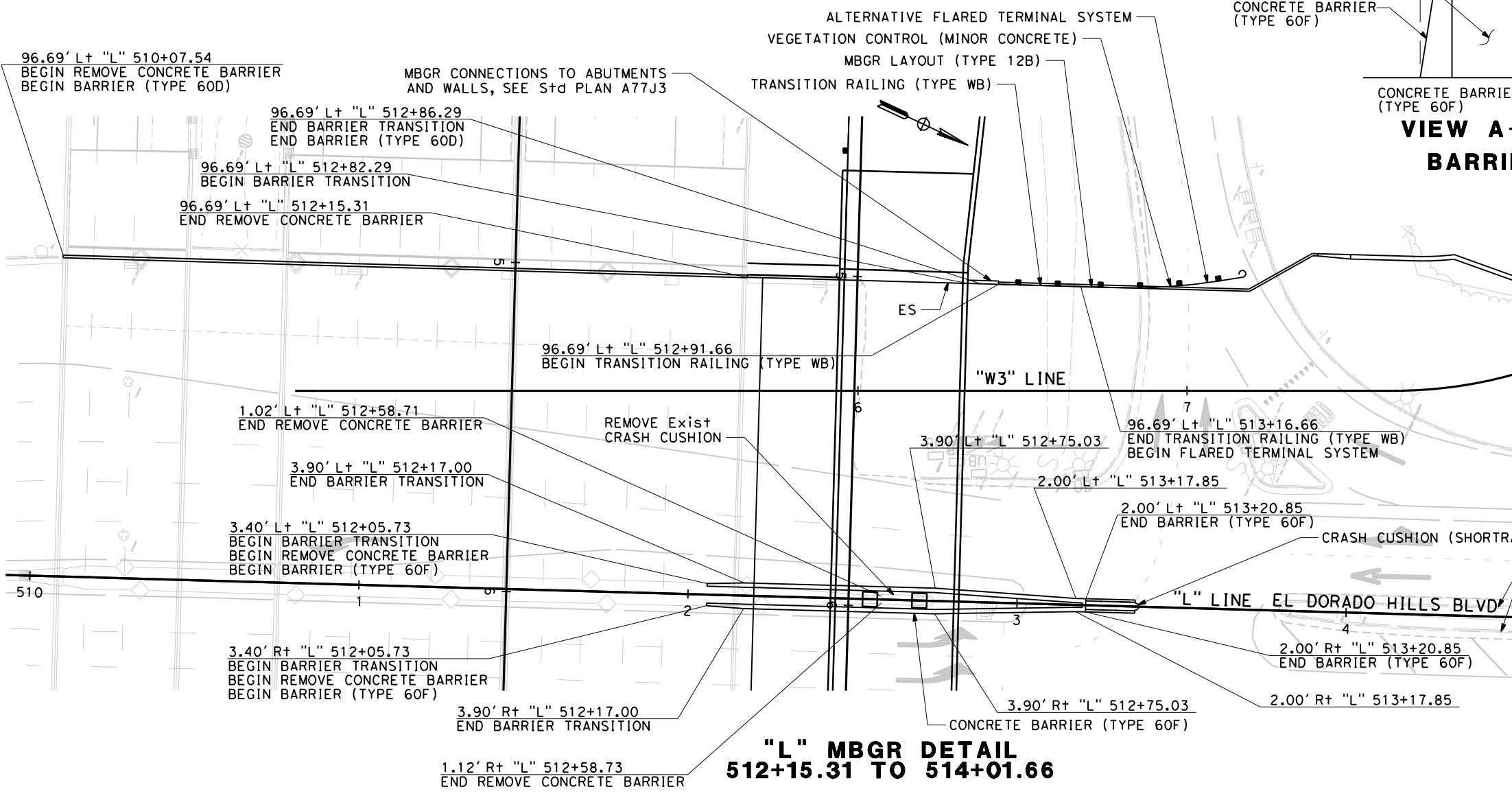
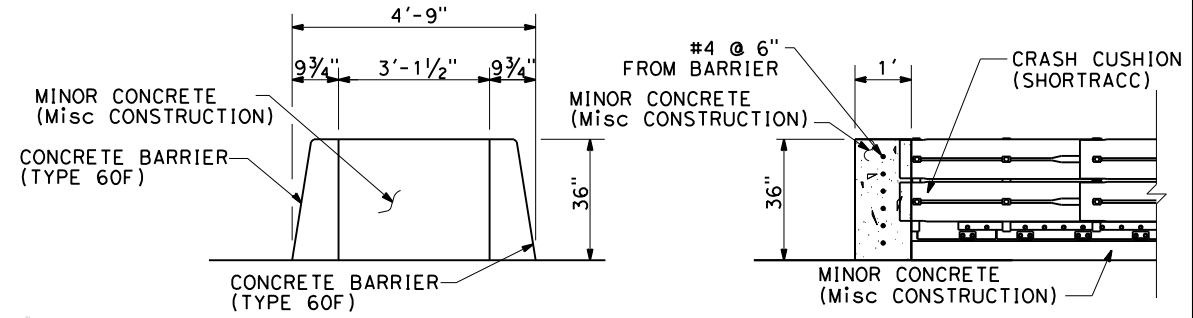
DIST	COUNTY	ROUTE	POST MILES TOTAL PROJECT	SHEET No.	TOTAL SHEETS
03	ED	50	0.60/1.35	27 R1	245

Col. H. Gibson III  
 REGISTERED CIVIL ENGINEER  
 DATE 6/18/12  
 PLANS APPROVAL DATE 6/18/12  
 No. C63399  
 Exp. 09/30/12  
 CIVIL  
 STATE OF CALIFORNIA

QUINCY ENGINEERING INC  
 3247 RAMOS CIRCLE  
 SACRAMENTO, CA 95827-2501  
 EL DORADO COUNTY  
 2850 FAIRLANE COURT  
 PLACERVILLE, CA. 95667



**"W2" MBGR DETAIL**



**"L" MBGR DETAIL 512+15.31 TO 514+01.66**

**C-4**  
 NO SCALE

STATE OF CALIFORNIA - DEPARTMENT OF TRANSPORTATION  
 MATT RUBLE  
 CARL GIBSON  
 R. BRENT LEMON  
 REVISIONS: 00-00-00 DATE PLOTTED => 7/3/2012 TIME PLOTTED => 10:50:21 AM

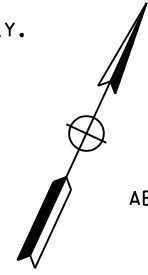
FOR COMPLETE RIGHT OF WAY AND ACCURATE ACCESS DATA, SEE RIGHT OF WAY RECORD MAPS AT DISTRICT OFFICE, AND COUNTY SURVEYORS OFFICE.

**NOTES:**

1. THIS PLAN FOR UTILITY INFORMATION ONLY.

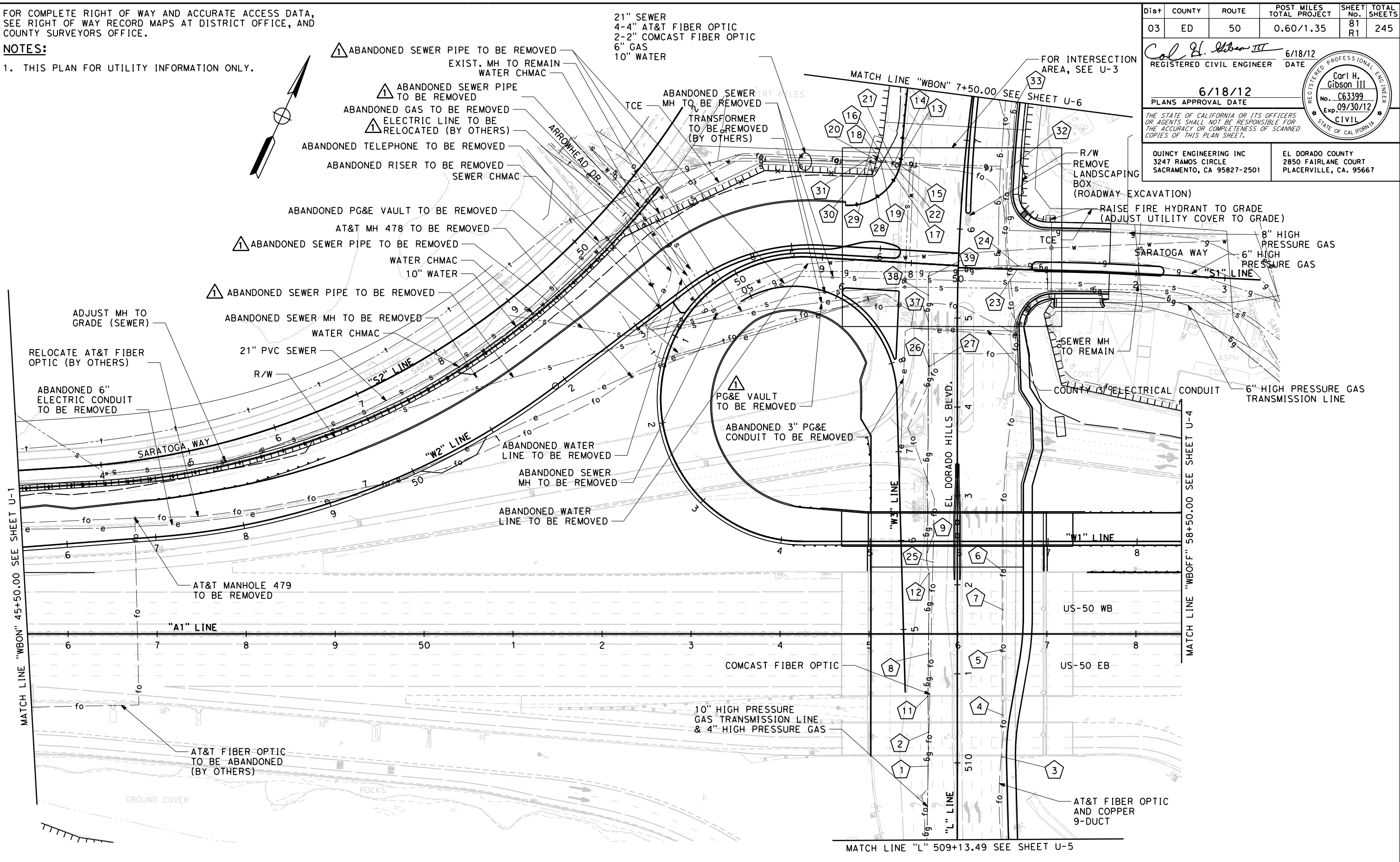
- △ ABANDONED SEWER PIPE TO BE REMOVED  
EXIST. MH TO REMAIN  
WATER CHMAC
- △ ABANDONED SEWER PIPE TO BE REMOVED
- △ ABANDONED GAS TO BE REMOVED  
ELECTRIC LINE TO BE RELOCATED (BY OTHERS)
- △ ABANDONED TELEPHONE TO BE REMOVED
- △ ABANDONED RISER TO BE REMOVED  
SEWER CHMAC

- 21" SEWER
- 4-4" AT&T FIBER OPTIC
- 2-2" COMCAST FIBER OPTIC
- 6" GAS
- 10" WATER



Dist	COUNTY	ROUTE	POST MILES TOTAL PROJECT	SHEET No.	TOTAL SHEETS
03	ED	50	0.60/1.35	81 R1	245

6/18/12  
 REGISTERED CIVIL ENGINEER DATE  
 6/18/12  
 PLANS APPROVAL DATE  
 THE STATE OF CALIFORNIA OR ITS OFFICERS OR AGENTS SHALL NOT BE RESPONSIBLE FOR THE ACCURACY OR COMPLETENESS OF SCANNED COPIES OF THIS PLAN SHEET.  
 QUINCY ENGINEERING INC  
 3247 RAMOS CIRCLE  
 SACRAMENTO, CA 95827-2501  
 EL DORADO COUNTY  
 2850 FAIRLANE COURT  
 PLACERVILLE, CA. 95667



REVISIONS: 7-12 UTILITY CALLOUT REVISIONS VFD CG3  
 MARK DATE DESCRIPTIONS BY CH'D REVISIONS

△	7-12	UTILITY CALLOUT REVISIONS	VFD	CG3
MARK	DATE	DESCRIPTIONS	BY	CH'D
REVISIONS				

**UTILITY PLAN**  
 SCALE: 1"=50'  
**U-2**

FOR COMPLETE RIGHT OF WAY AND ACCURATE ACCESS DATA,  
SEE RIGHT OF WAY RECORD MAPS AT DISTRICT OFFICE, AND  
COUNTY SURVEYORS OFFICE.

**NOTES:**

1. THIS PLAN FOR UTILITY INFORMATION ONLY.

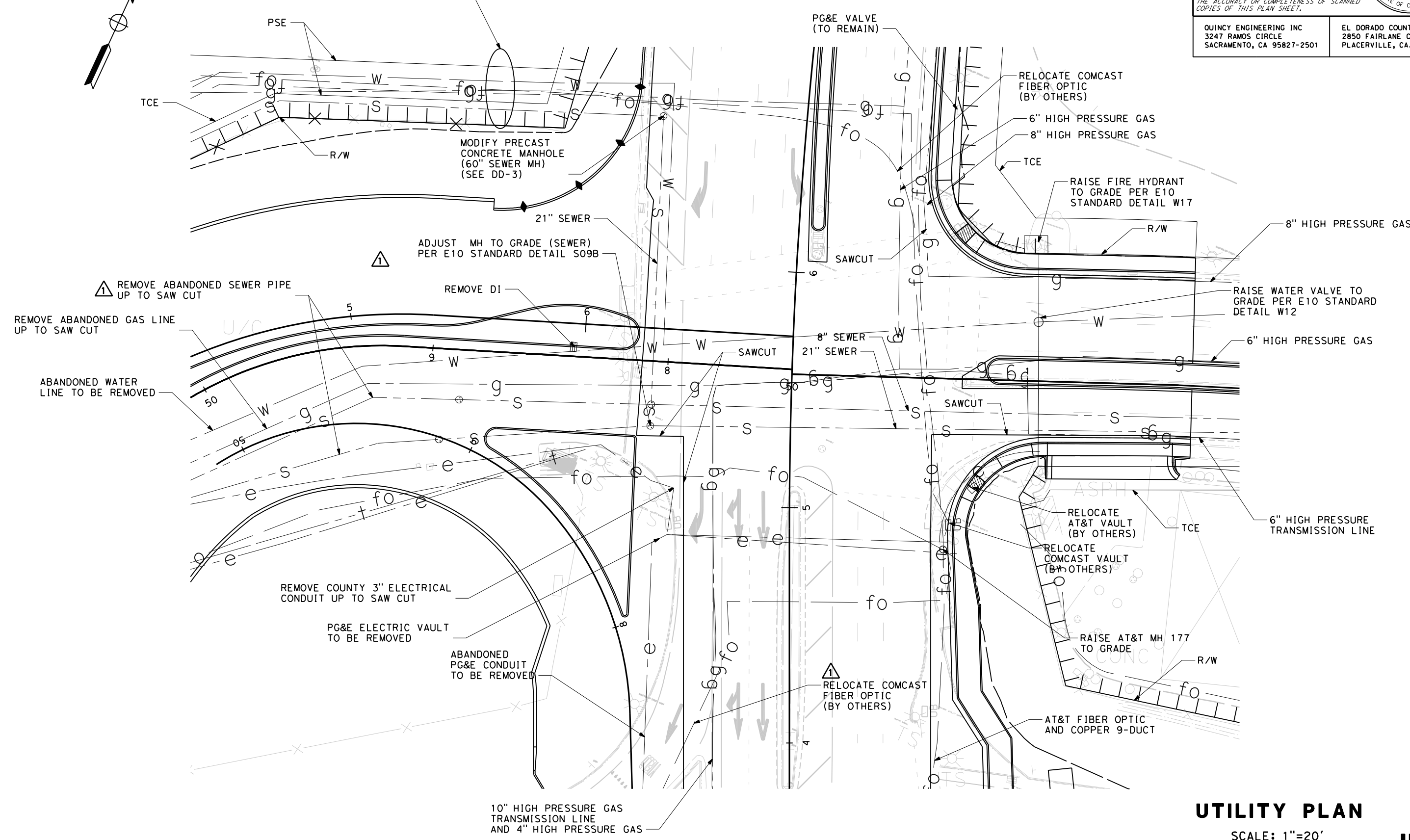
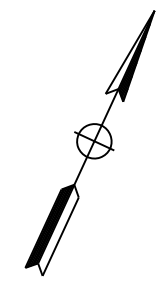
21" SEWER  
4-4" AT&T FIBER OPTIC  
2-2" COMCAST FIBER OPTIC  
6" GAS  
10" WATER

MARK	DATE	DESCRIPTIONS	BY	CH'D
1	7-12	UTILITY CALLOUT REVISIONS	VFD	CG3
		REVISIONS		

Dist	COUNTY	ROUTE	POST MILES TOTAL PROJECT	SHEET No.	TOTAL SHEETS
03	ED	50	0.60/1.35	82 R1	245

*Carl H. Gibson III*  
 REGISTERED CIVIL ENGINEER DATE 6/18/12  
 PLANS APPROVAL DATE 6/18/12  
 No. C63399  
 Exp. 09/30/12  
 CIVIL  
 STATE OF CALIFORNIA

QUINCY ENGINEERING INC  
 3247 RAMOS CIRCLE  
 SACRAMENTO, CA 95827-2501  
 EL DORADO COUNTY  
 2850 FAIRLANE COURT  
 PLACERVILLE, CA. 95667



STATE OF CALIFORNIA - DEPARTMENT OF TRANSPORTATION  
 ERIN SICKLER  
 CARL GIBSON  
 R. BRENT LEMON  
 CALTRANS

**UTILITY PLAN**

SCALE: 1"=20'

**U-3**

FOR COMPLETE RIGHT OF WAY AND ACCURATE ACCESS DATA, SEE RIGHT OF WAY RECORD MAPS AT DISTRICT OFFICE, AND COUNTY SURVEYORS OFFICE.

**NOTES:**

1 THIS PLAN FOR UTILITY INFORMATION ONLY.

Dist	COUNTY	ROUTE	POST MILES TOTAL PROJECT	SHEET No.	TOTAL SHEETS
03	ED	50	0.60/1.35	84 R1	245

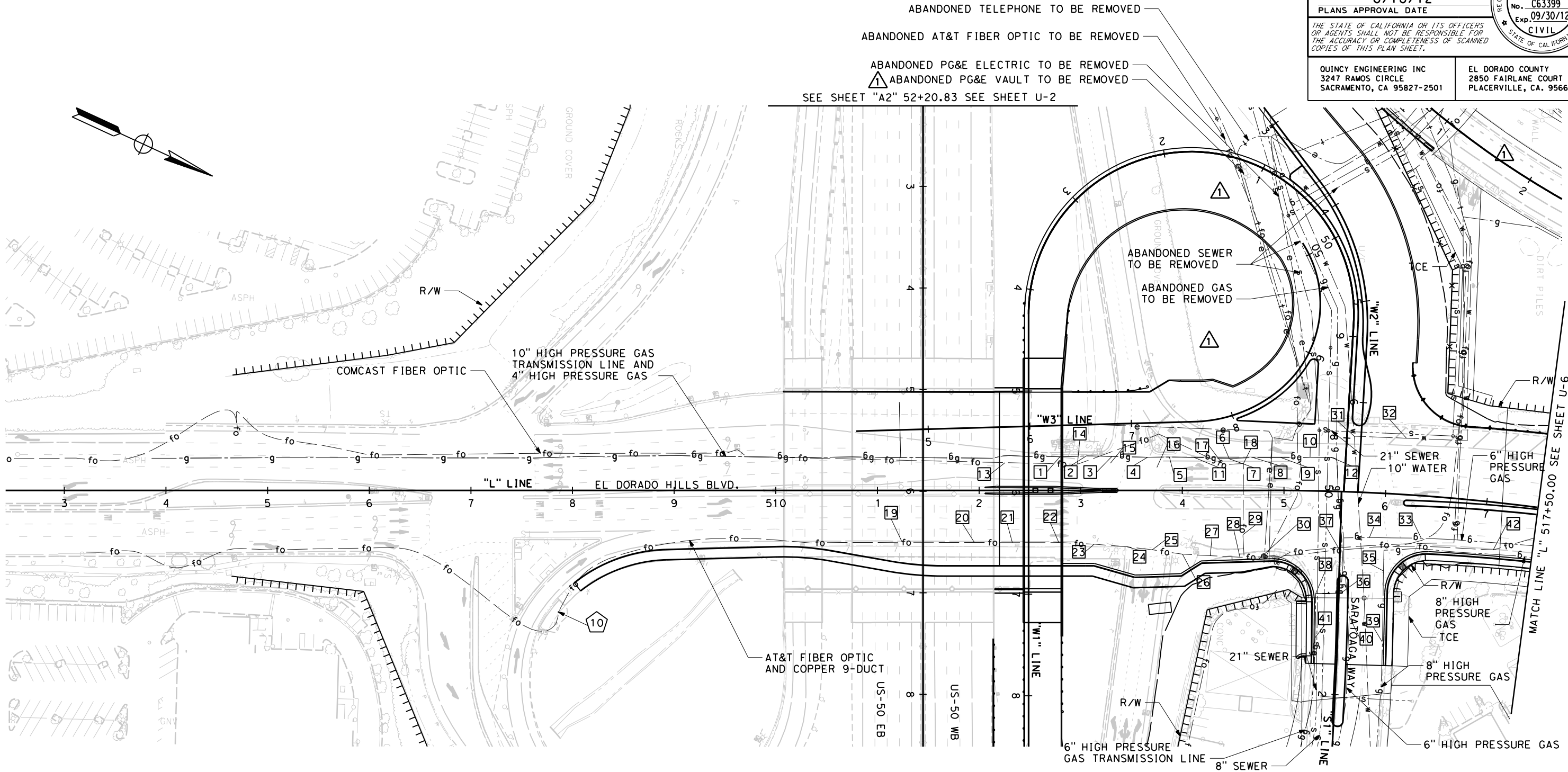
Col. H. Gibson III  
 REGISTERED CIVIL ENGINEER DATE 6/18/12  
 PLANS APPROVAL DATE 6/18/12  
 No. C63399  
 Exp. 09/30/12  
 CIVIL  
 STATE OF CALIFORNIA

THE STATE OF CALIFORNIA OR ITS OFFICERS OR AGENTS SHALL NOT BE RESPONSIBLE FOR THE ACCURACY OR COMPLETENESS OF SCANNED COPIES OF THIS PLAN SHEET.

QUINCY ENGINEERING INC  
 3247 RAMOS CIRCLE  
 SACRAMENTO, CA 95827-2501

EL DORADO COUNTY  
 2850 FAIRLANE COURT  
 PLACERVILLE, CA. 95667

STATE OF CALIFORNIA - DEPARTMENT OF TRANSPORTATION  
 ERIN SICKLER  
 CARL GIBSON  
 R. BRENT LEMON  
 CALTRANS



MARK	DATE	DESCRIPTIONS	BY	CH'D
△	7-12	UTILITY CALLOUT REVISIONS	VFD	CG3
REVISIONS				

**UTILITY PLAN**  
 SCALE: 1"=50'  
**U-5**

LAST REVISION DATE PLOTTED => 7/3/2012  
 00-00-00 TIME PLOTTED => 10:33:09 AM

FOR COMPLETE RIGHT OF WAY AND ACCURATE ACCESS DATA, SEE RIGHT OF WAY RECORD MAPS AT DISTRICT OFFICE, AND COUNTY SURVEYORS OFFICE.

**NOTES:**

1. THIS PLAN ACCURATE FOR TRAFFIC HANDLING WORK ONLY.
2. SIGN LOCATIONS SHOWN ARE APPROXIMATE. EXACT LOCATIONS TO BE DETERMINED BY ENGINEER.
3. SEE CONSTRUCTION AREA SIGNS PLAN AND DETOUR PLANS FOR ADDITIONAL CONSTRUCTION SIGNS.
4. Temp RAILING (TYPE K) SHALL HAVE SCUPPERS TO ALLOW DRAINAGE RELIEF.
5. Temp RAILING (TYPE K) SHALL BE PINNED PER STANDARD PLANS.
6. STATION AND OFFSETS OF TEMPORARY RAILING (TYPE K) ARE LOCATED AT THE CENTERLINE OF RAILING.

MARK	DATE	DESCRIPTIONS	BY	CH'D
1	7-12	TEMP RAILING CALLOUT REVISIONS	VFD	CG3
REVISIONS				

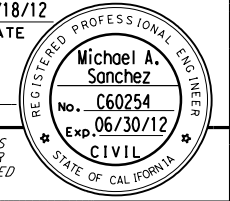
Dist	COUNTY	ROUTE	POST MILES TOTAL PROJECT	SHEET No.	TOTAL SHEETS
03	ED	50	0.60/1.35	105 R1	245

*Michael A. Sanchez* 6/18/12  
 REGISTERED CIVIL ENGINEER DATE

**6/18/12**  
 PLANS APPROVAL DATE

THE STATE OF CALIFORNIA OR ITS OFFICERS OR AGENTS SHALL NOT BE RESPONSIBLE FOR THE ACCURACY OR COMPLETENESS OF SCANNED COPIES OF THIS PLAN SHEET.

QUINCY ENGINEERING INC 3247 RAMOS CIRCLE SACRAMENTO, CA 95827-2501	EL DORADO COUNTY 2850 FAIRLANE COURT PLACERVILLE, CA. 95667
--	---



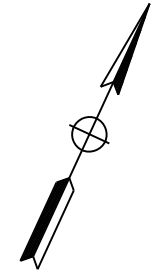
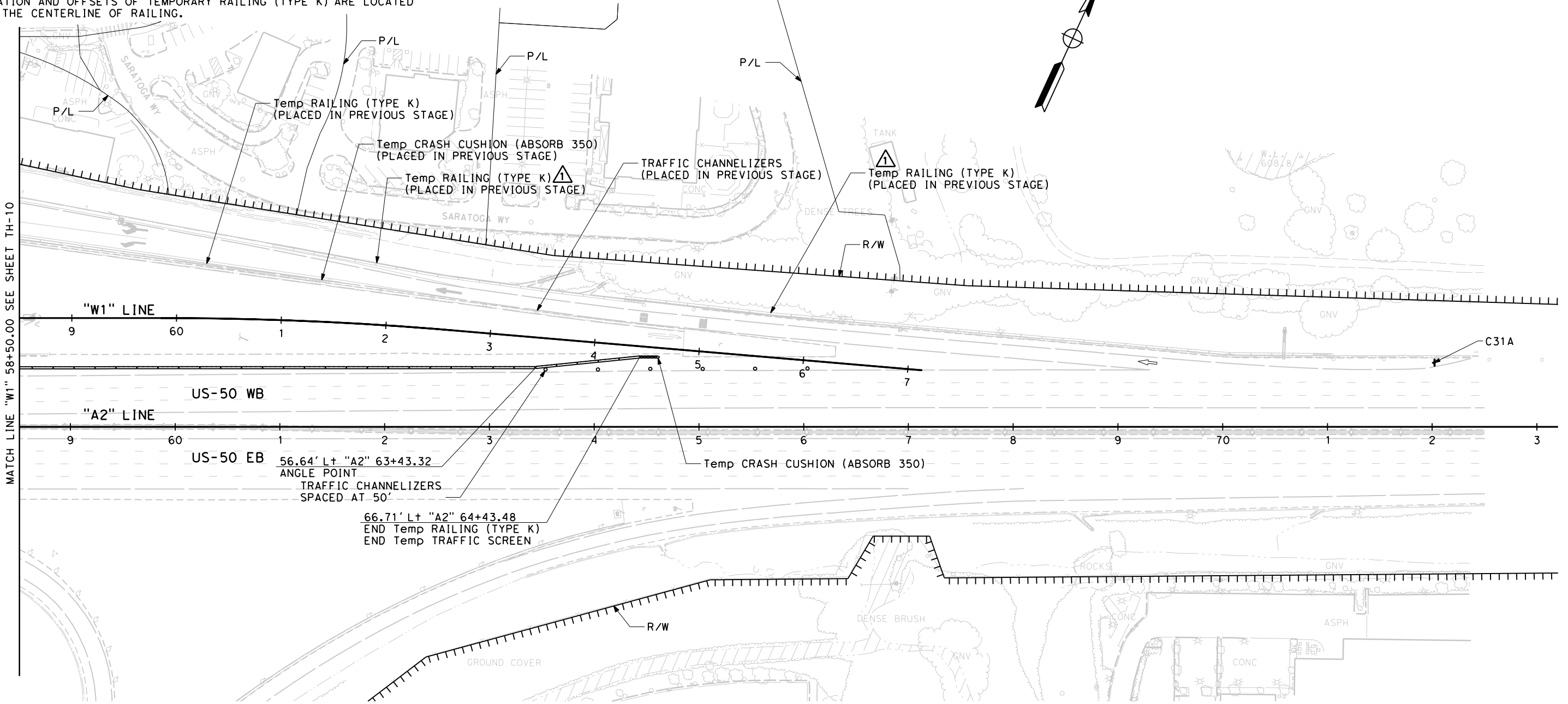
STATE OF CALIFORNIA - DEPARTMENT OF TRANSPORTATION  
 Caltrans

CONSULTANT FUNCTIONAL SUPERVISOR  
 R. BRENT LEMON

CALCULATED-DESIGNED BY  
 CHECKED BY

VANESSA DOCTOLERO  
 MICHAEL SANCHEZ

REVISED BY  
 DATE REVISED



**STAGE 1 - PHASE 2**  
**TRAFFIC HANDLING PLAN**  
 SCALE: 1"=50'  
**TH-11**

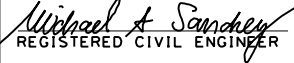

LAST REVISION DATE PLOTTED => 7/10/2012  
 00-00-00 TIME PLOTTED => 4:41:52 PM

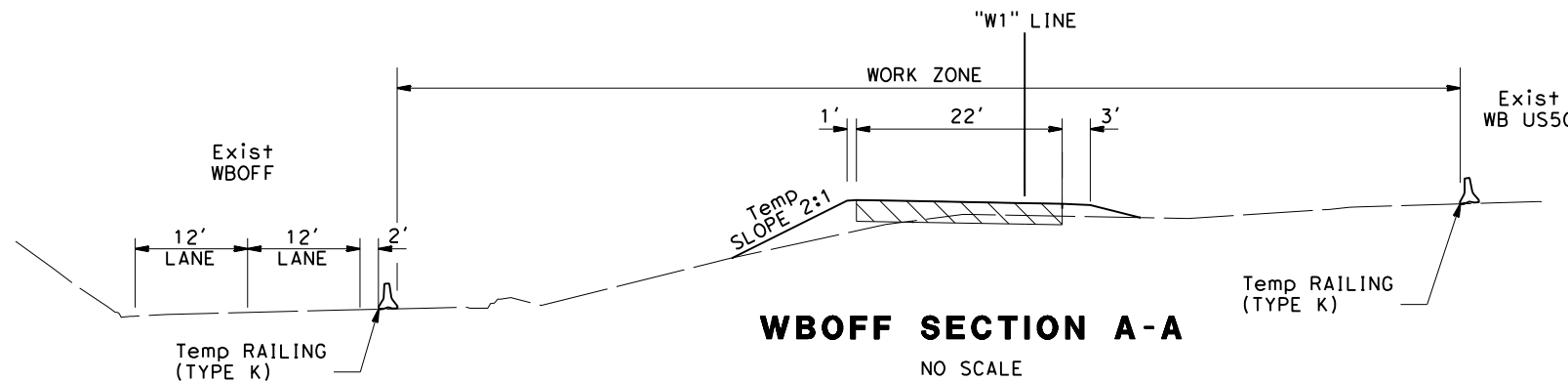
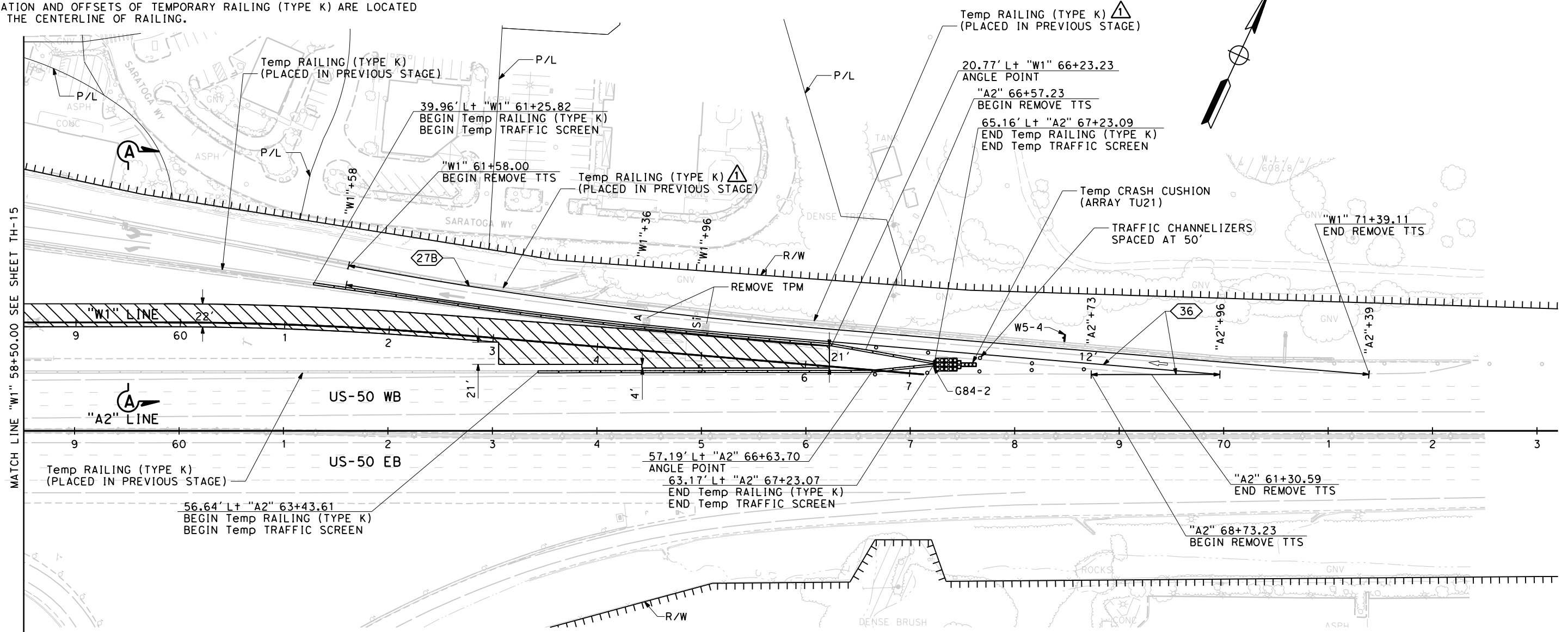
FOR COMPLETE RIGHT OF WAY AND ACCURATE ACCESS DATA, SEE RIGHT OF WAY RECORD MAPS AT DISTRICT OFFICE, AND COUNTY SURVEYORS OFFICE.

**NOTES:**

1. THIS PLAN ACCURATE FOR TRAFFIC HANDLING WORK ONLY.
2. SIGN LOCATIONS SHOWN ARE APPROXIMATE. EXACT LOCATIONS TO BE DETERMINED BY ENGINEER.
3. SEE CONSTRUCTION AREA SIGNS PLAN AND DETOUR PLANS FOR ADDITIONAL CONSTRUCTION AREA SIGNS.
4. Temp RAILING (TYPE K) SHALL HAVE SCUPPERS TO ALLOW DRAINAGE RELIEF.
5. Temp RAILING (TYPE K) SHALL BE PINNED PER STANDARD PLANS.
6. STATION AND OFFSETS OF TEMPORARY RAILING (TYPE K) ARE LOCATED AT THE CENTERLINE OF RAILING.

MARK	DATE	DESCRIPTIONS	BY	CH'D
1	7-12	TEMP RAILING CALLOUT REVISIONS	VFD	CG3
REVISIONS				

Dist	COUNTY	ROUTE	POST MILES TOTAL PROJECT	SHEET No.	TOTAL SHEETS
03	ED	50	0.60/1.35	110 R1	245
 REGISTERED CIVIL ENGINEER			6/18/12	DATE	
6/18/12 PLANS APPROVAL DATE					
QUINCY ENGINEERING INC 3247 RAMOS CIRCLE SACRAMENTO, CA 95827-2501			EL DORADO COUNTY 2850 FAIRLANE COURT PLACERVILLE, CA. 95667		



**WBOFF SECTION A-A**  
NO SCALE

**STAGE 2 - PHASE 1**  
**TRAFFIC HANDLING PLAN**  
SCALE: 1"=50'  
**TH-16**

STATE OF CALIFORNIA - DEPARTMENT OF TRANSPORTATION  
*Caltrans*  
 CONSULTANT - FUNCTIONAL SUPERVISOR  
 R. BRENT LEMON  
 CALCULATED-DESIGNED BY  
 GARRETT McLAUGHLIN  
 CHECKED BY  
 DANNY MOSSMAN  
 REVISED BY  
 DATE REVISED

MARK	7-12	CORRECTED SPELLING	RHG	CG3
		DESCRIPTIONS	BY	CH'D
		REVISIONS		

Dist	COUNTY	ROUTE	POST MILES TOTAL PROJECT	SHEET No.	TOTAL SHEETS
03	ED	50	0.60/1.35	159 R1	245

Garrett B. McLaughlin  
 REGISTERED CIVIL ENGINEER  
 6/18/12  
 DATE

6/18/12  
 PLANS APPROVAL DATE

Garrett B. McLaughlin  
 No. C67687  
 Exp. 06/30/13  
 CIVIL  
 STATE OF CALIFORNIA

THE STATE OF CALIFORNIA OR ITS OFFICERS OR AGENTS SHALL NOT BE RESPONSIBLE FOR THE ACCURACY OR COMPLETENESS OF SCANNED COPIES OF THIS PLAN SHEET.

QUINCY ENGINEERING INC  
 3247 RAMOS CIRCLE  
 SACRAMENTO, CA 95827-2501

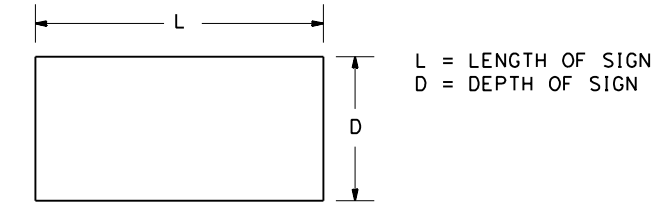
EL DORADO COUNTY  
 2850 FAIRLANE COURT  
 PLACERVILLE, CA. 95667

### OVERHEAD SIGNS

SHEET No.	OVERHEAD SIGN LETTER	CALIFORNIA SIGN CODE	INSTALL SIGN STRUCTURE (TRUSS)	FURNISH SIGN STRUCTURE (TRUSS)	INSTALL SIGN STRUCTURE (BRIDGE MOUNTED WITH WALKWAY)	FURNISH SIGN STRUCTURE (BRIDGE MOUNTED WITH WALKWAY)	54" CIDH CONCRETE PILE (SIGN FOUNDATION)	60" CIDH CONCRETE PILE (SIGN FOUNDATION)	REMOVE SIGN STRUCTURE
			LB	LB	LB	LB	LF	LF	EA
S-2	C	W4-10, G24-5, G20-1	20,700	20,700				36	
S-2	D	G24-5			2,200	2,200			
S-3	F	G85-11	14,500	14,500			22		
S-3	G	G85-11							1
S-5	H	G78-1, G24-5	19,400	19,400					
TOTAL			54,600	54,600	2,200	2,200	36	22	1

### OVERHEAD SIGN FOUNDATION

SHEET No.	OVERHEAD SIGN LETTER	STRUCTURE EXCAVATION	STRUCTURE BACKFILL	STRUCTURE CONCRETE	BAR REINFORCING STEEL
		CY	CY	CY	LB
SD-1	H	91	46	29	5,279
TOTAL		91	46	29	5,279



### OVERHEAD SIGN PANEL (CONTRACTOR FURNISHED)

SHEET No.	OVERHEAD SIGN LETTER	CALIFORNIA SIGN CODE	SIGN MESSAGE / DESCRIPTION	NUMBER OF SIGNS	BACKGROUND		LEGEND		FURNISH LAMINATED PANEL SIGN (1" - TYPE A)		
					SHEETING COLOR	RETROREFLECTIVE ASTM TYPE	SHEETING COLOR	RETROREFLECTIVE ASTM TYPE	PROTECTIVE OVERLAY	SIGN SIZE	SIGN AREA
SD-4	C	W4-10	COMBINATION TURN / ADVISORY SPEED	1	YELLOW	III	BLACK		X	72" X 70"	35.0
		W4-10	COMBINATION TURN / ADVISORY SPEED	1	YELLOW	III	BLACK		X	72" X 70"	35.0
		G20-1	Latrobe Road - Right Lane	1	GREEN	III	WHITE	IX	X	120" X 70"	58.3
		G24-5	El Dorado Hills Blvd - 270° ARROW - 270° ARROW	1	GREEN	III	WHITE	IX	X	216" X 70"	105.0
SD-4	D	G24-5	50 EAST - South Lake Tahoe - W61D - 270° ARROW - FWY ONLY	1	GREEN	III	WHITE	IX	X	216" X 90"	135.0
SD-4	F	G85-11	EXIT 30 - El Dorado Hills Blvd - Latrobe Rd - 60° ARROW	1	GREEN	III	WHITE	IX	X	288" X 120"	240.0
SD-4	H	G24-5	50 WEST - Sacramento - FWY - 270° ARROW - ONLY	1	GREEN	III	WHITE	IX	X	144" X 90"	90.0
		G78-1	90° ARROW - 50 EAST - South - Lake Tahoe	1	GREEN	III	WHITE	IX	X	120" X 90"	75.0
TOTAL											773.3

- NOTES:  
 1. USE RETROREFLECTIVE ASTM TYPE III YELLOW SHEETING FOR W61D(CA) PANELS.  
 2. USE RETROREFLECTIVE ASTM TYPE III WHITE SHEETING FOR G26-1(CA) PANELS.

**SIGN QUANTITIES**  
 NO SCALE  
**SQ-6**

# MINOR CONCRETE

Dist	COUNTY	ROUTE	POST MILES TOTAL PROJECT	SHEET No.	TOTAL SHEETS
03	ED	50	0.60/1.35	161 R1	245

*Carl H. Gibson III* 6/18/12  
 REGISTERED CIVIL ENGINEER DATE  
 PLANS APPROVAL DATE 6/18/12  
 No. C63399  
 Exp. 09/30/12  
 CIVIL  
 STATE OF CALIFORNIA

QUINCY ENGINEERING INC  
 3247 RAMOS CIRCLE  
 SACRAMENTO, CA 95827-2501

EL DORADO COUNTY  
 2850 FAIRLANE COURT  
 PLACERVILLE, CA. 95667

STATE OF CALIFORNIA - DEPARTMENT OF TRANSPORTATION  
 CONSULTANT - FUNCTIONAL SUPERVISOR  
 CALCULATED/DESIGNED BY  
 CHECKED BY  
 MATTHEW RUBLE  
 CARL GIBSON  
 REVISED BY  
 DATE REVISED  
 R. BRENT LEMON  
 Et-Catrans

SHEET No.	FROM		TO		CLASS 2 AGGREGATE BASE*	MINOR CONCRETE (CURB)	MINOR CONCRETE (CURB AND GUTTER)	MINOR CONCRETE (SIDEWALK)	MINOR CONCRETE (TEXTURED PAVING)	EXPOSED AGGREGATE FINISH	VEGETATION CONTROL (MINOR CONCRETE)	REMOVE CURB	REMOVE CONCRETE (CURB AND GUTTER)	REMOVE CONCRETE SIDEWALK	REMOVE CONCRETE (CURB, GUTTER, AND SIDEWALK)	MINOR CONCRETE (DRIVEWAY)	PLACE HOT MIX ASPHALT (MISCELLANEOUS AREA)	HOT MIX ASPHALT (TYPE A)*	MINOR CONCRETE (MISC CONSTRUCTION)	CONCRETE (CONCRETE ANCHOR BLOCK)	COMMENTS
	LINE	STATION	LINE	STATION																	
L-1	"S2"	40+90.00	"S2"	41+00.00			0.6														CURB (TYPE A2-6) TRANSITION
L-2	"S2"	50+96.54	"S2"	51+06.61			0.6														CURB (TYPE A2-6) TRANSITION
L-2	"W2"	53+00.00	"W1"	50+71.21	25.7	15.9			17.1												CURB (TYPE A1-6)
C-1	"W3"	48+93.00	"W3"	48+04.00	23.7	6.3			15.8												CURB (TYPE A1-6)
C-1	"L"	516+21.00	"L"	518+00.00	7.3	9.4			4.9												CURB (TYPE A1-6)
L-4	"S2"	50+88.00	"S2"	52+25.00	16.1	8.0			10.7												CURB (TYPE A1-6)
L-4	"L"	507+99.00	"L"	510+07.54				73.0													SIDEWALK TYPE 1
L-4	"L"	510+07.54	"L"	512+82.29				96.2									107.2	52.4			SIDEWALK TYPE 1
L-4	"L"	512+82.29	"L"	514+57.96	183.4	3.3	10.4	20.7													SIDEWALK TYPE 2
L-4	"L"	514+57.96	"L"	514+87.80	3.9	0.6	1.8	2.7													SIDEWALK TYPE 2
L-4	"L"	514+87.80	"S1"	51+09.25	6.5	1.2	3.8	4.0													SIDEWALK TYPE 2
L-4	"S1"	51+09.25	"S1"	51+62.39	7.0		4.3						20.0			9.3	△				DRIVEWAY
L-4	"S1"	51+62.39	"S1"	51+70.60	0.6	0.1	0.2	0.1													SIDEWALK TYPE 2
L-4	"S1"	51+68.84	"L"	517+50.00	26.8		13.9	17.4		1,390.2											SIDEWALK TYPE 3
L-5	"L"	517+50.00	"L"	518+00.00	5.7		3.0	3.7		291.6											SIDEWALK TYPE 3
L-5	"L"	518+16.72	"L"	518+30.00			0.8														CURB (TYPE A2-8)
C-12	"W1"	63+05.00	"W1"	64+43.00	128.1				49.0												CONTRASTING GORE TREATMENT
C-12	"W2"	43+42.00	"W2"	45+15.00	167.2				63.9												CONTRASTING GORE TREATMENT
C-4	"L"	512+82.00	"L"	512+91.00																2.0	ANCHOR BLOCK
C-4	"L"	512+91.66	"L"	513+77.78									41.5								
C-5	"S2"	41+25.00	"S2"	42+00.00									32.0								
C-5	"S2"	50+00.00	"S2"	50+72.40									28.4								
C-5	"W1"	57+27.91	"W1"	61+14.00									324.5								
C-5	"W1"	57+41.66	"W1"	58+16.67									32.0								
C-6	"W1"	54+05.87	"W1"	54+67.91									29.7								
C-6	"W1"	54+12.06	"W1"	54+46.19									14.3								
C-7	"L"	517+26.63	"L"	518+22.86									30.6								
C-7	"A2"	68+46.02	"A2"	69+31.88									46.4								
L-1	"S2"	40+90.00	"S2"	45+50.00									460.0								
L-2	"S2"	45+50.00	"S2"	51+06.61									557.0								
L-2	"W2"	48+76.38	"L"	512+69.50									740.0								
L-3	"W1"	56+68.58	"W1"	64+83.98									826.0								
L-4	"L"	507+99.00	"L"	513+43.78										550.0							
L-4	"L"	512+15.36	"L"	512+50.00									35.0								
L-4	"L"	512+15.00	"L"	512+50.00									35.0								
L-4	"S1"	50+73.49	"S1"	52+31.41									320.0								
L-4	"S1"	51+68.84	"L"	517+50.00																	235.0
L-5	"L"	517+50.00	"L"	518+00.00																	49.0
L-5	"L"	517+50.00	"L"	518+30.00									83.0								
C-1	"L"	513+66.46	"L"	513+92.41									82.0								
C-1	"L"	513+79.62	"L"	515+07.14									261.0								
C-1	"L"	514+90.95	"S1"	51+70.60																	130.0
C-1	"L"	516+05.89	"L"	518+00.00									391.0								
C-1	"L"	515+73.42	"L"	517+50.00									183.0								
C-4	"L"	513+20.85	"L"	513+35.85																	
C-4	"L"	513+20.85	"L"	513+35.85																51.3	SHORTRACC CONCRETE PAD
DD-6	"W1"	56+97.91	"W1"	63+05.44												1,905.6					
C-11,C-12	"L"	518+00.00	"L"	525+57.40		16.6															CURB (TYPE A1-6 MOD) NB & SB
TOTAL					602.0	61.5	39.4	217.8	161.4	1,681.8	579.4	711.0	3,282.0	550.0	414.0	9.3	2,012.8	52.4	51.3	2.0	

7-12	CHANGE DRIVEWAY TO CONCRETE	RHG	CG3
MARK DATE	DESCRIPTIONS	BY	CH'D
	REVISIONS		

\* FOR TOTAL QUANTITY, SEE "ROADWAY ITEMS" QUANTITY TABLE. SUMMARY OF QUANTITIES

NO SCALE Q-2



7-12	UPDATED SHEET NUMBERS	RHG	CG3
MARK	DATE	BY	CH'D
REVISIONS			

Dist	COUNTY	ROUTE	POST MILES TOTAL PROJECT	SHEET No.	TOTAL SHEETS
03	ED	50	0.60/1.35	162 R1	245

*Carl H. Gibson III* 6/18/12  
 REGISTERED CIVIL ENGINEER DATE  
 6/18/12  
 PLANS APPROVAL DATE  
 THE STATE OF CALIFORNIA OR ITS OFFICERS OR AGENTS SHALL NOT BE RESPONSIBLE FOR THE ACCURACY OR COMPLETENESS OF SCANNED COPIES OF THIS PLAN SHEET.  
 QUINCY ENGINEERING INC 3247 RAMOS CIRCLE SACRAMENTO, CA 95827-2501  
 EL DORADO COUNTY 2850 FAIRLANE COURT PLACERVILLE, CA. 95667

### METAL BEAM GUARD RAILING

SHEET No.	FROM		TO		METAL BEAM GUARD RAILING (WOOD POST)	TRANSITION RAILING (TYPE WB)	BURIED POST END ANCHOR (N)	END ANCHOR ASSEMBLY (TYPE SFT)	REMOVE METAL BEAM GUARD RAILING	TERMINAL SYSTEM		CRASH CUSHION (TYPE CAT)	CRASH CUSHION (TYPE CAT) BACKUP	CRASH CUSHION (SHORTRACC)	END CAP (TYPE A)
	LINE	STATION	LINE	STATION						LF	EA				
C-4	"W2"	47+00.58	"W2"	499+11.51	200.0		1	1							
C-4	"L"	512+91.66	"L"	513+16.66		1					1				
C-4	"L"	513+20.85	"L"	513+20.85										1	
C-6	"S2"	41+25.00	"S2"	41+75.00						1					
C-6	"S2"	41+75.00	"S2"	42+00.00		1									
C-6	"S2"	50+00.00	"S2"	50+24.13		1									
C-6	"S2"	50+24.13	"S2"	50+72.40						1					
C-6	"W1"	57+41.66	"W1"	57+66.66		1									
C-6	"W1"	57+66.66	"W1"	58+16.66						1					
C-6	"W1"	57+27.91	"W1"	57+52.91		1									
C-6	"W1"	57+52.91	"W1"	61+14.16	361.7							1	1		
C-6	"W1"	61+14.16	"W1"	61+14.16											
C-6	"W1"	57+43.66	"W1"	58+06.50					62.8						
C-6	"W1"	57+43.66	"W1"	57+68.66		1									
C-6	"W1"	57+68.66	"W1"	61+14.32	345.9										
C-7	"W1"	54+12.06	"W1"	54+46.19	31.3			1							1
C-7	"W1"	54+05.87	"W1"	54+67.91	62.5			1							1
C-8	"L"	517+02.51	"L"	517+26.63		1									
C-8	"L"	517+26.63	"L"	518+22.86	100.0		1								
C-8	"A2"	68+46.02	"A2"	68+81.89	36.0			1			1				
TOTAL					1,137.3	7	2	4	62.8	3	2	1	1	1	2

(N) NOT A SEPARATE PAY ITEM, FOR INFORMATION ONLY.

## SUMMARY OF QUANTITIES

NO SCALE **Q-3**

STATE OF CALIFORNIA - DEPARTMENT OF TRANSPORTATION  
 CONSULTANT - FUNCTIONAL SUPERVISOR  
 R. BRENT LEMON  
 CALCULATED-DESIGNED BY  
 CHECKED BY  
 NICK CLARK  
 CARL GIBSON  
 REVISIONS BY  
 DATE REVISIONS

MARK	DATE	DESCRIPTIONS	BY	CH'D
7-12		ADDED HMA (DEEP LIFT) ITEM	RHG	CG3
REVISIONS				

Dist	COUNTY	ROUTE	POST MILES TOTAL PROJECT	SHEET No.	TOTAL SHEETS
03	ED	50	0.60/1.35	163 R1	245
			6/18/12		
			DATE		
6/18/12					
PLANS APPROVAL DATE					
THE STATE OF CALIFORNIA OR ITS OFFICERS OR AGENTS SHALL NOT BE RESPONSIBLE FOR THE ACCURACY OR COMPLETENESS OF SCANNED COPIES OF THIS PLAN SHEET.					
QUINCY ENGINEERING INC 3247 RAMOS CIRCLE SACRAMENTO, CA 95827-2501			EL DORADO COUNTY 2850 FAIRLANE COURT PLACERVILLE, CA. 95667		

### ROADWAY ITEMS

SHEET No.	FROM		TO		ROADWAY EXCAVATION CY	EMBANKMENT (N) CY	TACK COAT TON	GEOSYNTHETIC PAVEMENT INTERLAYER SQYD	PAVING ASPHALT (BINDER, GEOSYNTHETIC PAVEMENT LAYER) TON	CLASS 2 AGGREGATE BASE CY	HOT MIX ASPHALT (TYPE A) TON	HOT MIX ASPHALT (DEEP LIFT) TON	RUBBERIZED HOT MIX ASPHALT (OPEN GRADED) TON	COLD PLANE ASPHALT CONCRETE PAVEMENT SQYD	OBLITERATE SURFACING SQYD	REPLACE ASPHALT CONCRETE SURFACING CY	COMMENTS
	LINE	STATION	LINE	STATION													
C-11	"S1"	50+85.00	"S1"	52+32.27										323.4			
C-11	"S1"	50+85.00	"S1"	52+32.27										567.8			
C-11	"L"	516+04.91	"L"	518+00.00										969.8			
C-11	"L"	516+05.09	"L"	518+00.00										711.8			
C-11	"L"	518+00.00	"L"	520+50.00										1,455.7			
C-11	"L"	518+00.00	"L"	520+50.00										1,213.6			
C-12	"L"	520+50.00	"L"	525+53.76										2,429.5			
C-12	"L"	520+50.00	"L"	525+66.00										2,850.5			
C-8	"W2"	45+13.00	"W2"	56+03.00											3,395		Exist WB ON RAMP
C-8	"A2"	56+92.00	"A2"	70+05.00											2,973		Exist WB OFF RAMP
L-4, L-5	"L"	512+20.00	"L"	518+29.00	1,727.6	449.1											EL DORADO
L-2	"S1"	50+70.00	"S1"	52+30.00	88.6	10.6											SARATOGA EAST
L-1, L-2	"S2"	40+90.00	"S2"	51+06.00	73.4	0.2											SARATOGA WEST
L-1, L-2	"W2"	32+58.00	"W2"	56+25.00	32,176.7	1,582.8											WB ON RAMP
L-2	"WL0L"	100+00.00	"WL0L"	101+21.00	292.6	18.1											WB ON RAMP RETAINING WALL
L-2	"W1"	48+12.00	"W1"	54+95.00	11,667.2	7,901.5											WB OFF RAMP WEST OF BRIDGE
L-3	"W1"	58+50.00	"W1"	67+10.00	1,207.4	422.9											WB OFF RAMP EAST OF BRIDGE - STAGE 2 PHASE 1
L-3	"W1"	60+40.00	"W1"	67+10.00	1,693.1	6,058.1											WB OFF RAMP EAST OF BRIDGE - STAGE 2 PHASE 2a
L-4	"W3"	47+70.00	"W3"	50+00.00	4,760.2	2.2											WB OFF RAMP FREE RIGHT
L-3	"A2"	67+15.00	"A2"	71+50.00	638.5	8.3											WB OFF LOOP TIE-IN
L-2	"W1"	48+48.00	"W1"	54+66.00	3,841.7	251.4											CONTOUR GRADING LOOP RAMP
L-2	"W1"	48+48.00	"W1"	54+66.00	1,812.1	0.0											SWALE LOOP - #1
L-2	"W1"	48+48.00	"W1"	54+66.00	519.4												SWALE LOOP - #1 NORTH END
L-2	"W1"	48+48.00	"W1"	54+66.00	0.1	23.3											SWALE LOOP - #1 SOUTH END
L-2	"W1"	48+48.00	"W1"	54+66.00	814.8	10.0											SWALE LOOP - #2
L-2	"W1"	48+48.00	"W1"	54+66.00	334.6												SWALE LOOP - #2 WEST END
L-1, L-2	"W2"	45+15.00	"W2"	53+40.00	3,602.7	2,544.7											DITCH WB ON - #1
L-1, L-2	"W2"	45+15.00	"W2"	53+40.00	2,507.8	3,450.1											DITCH WB ON - #1A
L-2	"W1"	54+48.00	"W1"	54+99.00		624.6											WEST BRIDGE GRADING
L-2	"W1"	56+98.00	"W1"	57+42.00	69.5	137.7											EAST BRIDGE GRADING
L-4	"L"	512+83.00	"L"	514+00.00	210.8	255.9											EL DORADO EAST SIDE GRADING
L-4	"S1"	51+09.32	"S1"	51+62.49	19.3					2.7	15.9						DRIVEWAY
L-2	"W1"	56+97.91	"W1"	57+27.91						31.5							END PANEL
L-2	"W1"	56+97.91	"W1"	52+80.00						91.7	76.7						STAGE 2 - PHASE 1
L-2	"W1"	57+27.91	"W1"	58+50.00						290.6	196.7		36				STAGE 2 - PHASE 1
L-3	"W1"	58+50.00	"W1"	66+00.00						696.1	471.3		86				STAGE 2 - PHASE 2a
SUBTOTAL					68,058.2	23,751.4	2.2			1,112.6	760.6		121	10,522.0	6,368		

(N) NOT A SEPARATE PAY ITEM, FOR INFORMATION ONLY.

### SUMMARY OF QUANTITIES

NO SCALE **Q-4**

Dist	COUNTY	ROUTE	POST MILES TOTAL PROJECT	SHEET No.	TOTAL SHEETS
03	ED	50	0.60/1.35	164 R1	245

6/18/12  
 REGISTERED CIVIL ENGINEER DATE  
 Carl H. Gibson III  
 No. C63399  
 Exp. 09/30/12  
 CIVIL  
 STATE OF CALIFORNIA

6/18/12  
 PLANS APPROVAL DATE

THE STATE OF CALIFORNIA OR ITS OFFICERS OR AGENTS SHALL NOT BE RESPONSIBLE FOR THE ACCURACY OR COMPLETENESS OF SCANNED COPIES OF THIS PLAN SHEET.

MARK	DATE	DESCRIPTIONS	BY	CH'D
	7-12	ADDED HMA (DEEP LIFT) ITEM	RHG	CG3
REVISIONS				

### ROADWAY ITEMS

SHEET No.	FROM		TO		ROADWAY EXCAVATION CY	EMBANKMENT (N) CY	TACK COAT TON	GEOSYNTHETIC PAVEMENT INTERLAYER SQYD	PAVING ASPHALT (BINDER, GEOSYNTHETIC PAVEMENT LAYER) TON	CLASS 2 AGGREGATE BASE CY	HOT MIX ASPHALT (TYPE A) TON	HOT MIX ASPHALT (DEEP LIFT) TON	RUBBERIZED HOT MIX ASPHALT (OPEN GRADED) TON	COLD PLANE ASPHALT CONCRETE PAVEMENT SQYD	OBLITERATE SURFACING SQYD	REPLACE ASPHALT CONCRETE SURFACING CY	COMMENTS
	LINE	STATION	LINE	STATION													
L-3	"W1"	58+50.00	"W1"	63+06.77			4.1			1,998.7	1,353.1		246				STAGE 2 - PHASE 1
L-3	"W1"	58+50.00	"W1"	71+50.00			0.6			241.8	202.4						STAGE 2 - PHASE 1
L-2	"W1"	48+11.05	"W1"	54+67.91			3.8			1,861.0	1,259.9		229				WB OFF RAMP WEST OF THE BRIDGE
L-2	"W1"	54+67.91	"W1"	54+97.91						32.4							WB OFF RAMP WEST OF THE BRIDGE
L-2	"W3"	47+63.26	"W3"	50+13.00			0.9			451.1	305.4		56				WB OFF RAMP FREE RIGHT
L-2	"W2"	55+00.00	"W2"	56+25.14			0.7				245.7						STAGE 3
L-2	"W1"	48+10.86	"W1"	49+50.94			0.3				105.0						STAGE 2 - PHASE 2b
L-1	"W2"	31+57.29	"W2"	32+57.30			0.1				35.8		18				
L-1	"W2"	32+57.30	"W2"	43+41.83			0.5				171.3		86				
L-1	"W2"	32+57.30	"W2"	44+50.00			4.2			2,091.8	1,416.1		257				
L-1	"W2"	43+41.83	"W2"	44+50.00			0.1				17.6		9				
L-2	"W2"	44+50.00	"W2"	46+28.81			0.1				29.1		15				
L-2	"W2"	44+50.00	"W2"	56+25.20			7.5			3,707.3	2,509.8		456				
L-2	"W2"	50+04.34	"W2"	50+95.65						17.5							AB BLOCK AT MVP
L-2	"W2"	52+10.00	"W2"	55+58.03			0.2			90.5	61.3		12				HIGH SIDE SUPER DITCH
L-2	"W2"	55+58.03	"W2"	56+25.20			0.2				61.8		5				
L-4	"L"	507+50.00	"L"	509+13.49			0.5				165.1						
L-4	"L"	507+95.82	"L"	509+13.49			0.2				64.9						
L-2	"L"	509+13.49	"L"	512+20.00			1.2				384.0						
L-2	"L"	509+13.49	"L"	510+07.54			0.1				49.2						
L-2	"L"	512+47.30	"L"	512+78.30			0.1			30.9	20.9						
L-2	"L"	512+15.31	"L"	515+29.35			1.7			830.6	562.3						
L-2	"L"	512+15.31	"L"	515+32.26			0.7			321.3	217.5						
L-2	"L"	512+20.00	"L"	518+00.00			16.6				1,313.3						
L-2	"L"	516+05.02	"L"	517+50.00			0.1				29.5						
L-2	"L"	516+25.30	"L"	517+50.00			0.1				31.1						
L-5	"L"	517+50.00	"L"	518+00.00			0.0				2.0						
L-5	"L"	517+50.00	"L"	518+00.00			0.0				2.0						
L-5	"L"	517+50.00	"L"	518+00.00			0.0				2.0						
L-5	"L"	517+50.00	"L"	518+16.15			0.1				27.0						
L-5	"L"	518+16.15	"L"	518+29.46			0.0				0.6						
L-2	"S1"	50+85.00	"S1"	51+69.56			0.7				238.8						
L-2	"S1"	51+70.00	"S1"	52+32.26			0.0				10.2						
L-2	"S1"	50+72.44	"S1"	52+32.26			0.1				32.2						
L-2	"S1"	51+70.00	"S1"	52+32.26			0.1				18.0						
L-2	"S1"	50+65.43	"S1"	51+70.00			0.0				11.0						
SUBTOTAL							45.5			11,675.0	10,956.0		1,388				

(N) NOT A SEPARATE PAY ITEM, FOR INFORMATION ONLY.

## SUMMARY OF QUANTITIES

NO SCALE **Q-5**

STATE OF CALIFORNIA - DEPARTMENT OF TRANSPORTATION  
 R. BRENT LEMON  
 CONSULTANT - FUNCTIONAL SUPERVISOR  
 NICK CLARK  
 CARL GIBSON  
 CALCULATED - DESIGNED BY  
 CHECKED BY  
 REVISIONS  
 DATE  
 REVISIONS  
 DATE

7-12	ADDED HMA (DEEP LIFT) ITEM AND CHANGE DRIVEWAY TO CONCRETE	RHG	CG3
MARK	DATE	DESCRIPTIONS	BY
REVISIONS			

Dist	COUNTY	ROUTE	POST MILES TOTAL PROJECT	SHEET No.	TOTAL SHEETS
03	ED	50	0.60/1.35	165 R1	245

*Carl H. Gibson III*  
 REGISTERED CIVIL ENGINEER DATE 6/18/12  
 PLANS APPROVAL DATE 6/18/12  
 No. C63399  
 Exp. 09/30/12  
 CIVIL  
 STATE OF CALIFORNIA

QUINCY ENGINEERING INC  
 3247 RAMOS CIRCLE  
 SACRAMENTO, CA 95827-2501

EL DORADO COUNTY  
 2850 FAIRLANE COURT  
 PLACERVILLE, CA. 95667

### ROADWAY ITEMS

SHEET No.	FROM		TO		ROADWAY EXCAVATION CY	EMBANKMENT (N) CY	TACK COAT TON	GEOSYNTHETIC PAVEMENT INTERLAYER SQYD	PAVING ASPHALT (BINDER, GEOSYNTHETIC PAVEMENT LAYER) TON	CLASS 2 AGGREGATE BASE CY	HOT MIX ASPHALT (TYPE A) TON	HOT MIX ASPHALT (DEEP LIFT) TON	RUBBERIZED HOT MIX ASPHALT (OPEN GRADED) TON	COLD PLANE ASPHALT CONCRETE PAVEMENT SQYD	OBLITERATE SURFACING SQYD	REPLACE ASPHALT CONCRETE SURFACING CY	COMMENTS
	LINE	STATION	LINE	STATION													
L-1	"S2"	40+90.00	"S2"	42+05.23			0.0				13.3						
L-1	"S2"	42+00.00	"S2"	42+05.29			0.0				0.1						
L-2	"S2"	42+05.23	"S2"	50+96.62			0.3				111.5						
L-2	"S2"	42+05.29	"S2"	50+00.00			0.1				22.6						
L-5	"L"	518+00.00	"L"	520+50.00				1,455.7	1.7								
L-5	"L"	518+00.00	"L"	520+50.00				1,213.6	1.4								
L-5	"L"	520+50.00	"L"	525+53.76				2,429.5	2.9								
L-5	"L"	520+50.00	"L"	525+65.95				2,850.5	3.4								
C-11, C-12	"L"	518+00.00	"L"	525+66.00			1.9				645.5						NB PAVEMENT REHABILITATION
C-11, C-12	"L"	518+00.00	"L"	525+45.83			2.0				667.8						SB PAVEMENT REHABILITATION
C-11, C-12	"L"	518+00.00	"L"	525+60.68			1.4									218.3	NB PAVEMENT RECONSTRUCTION
C-11, C-12	"L"	521+94.48	"L"	524+41.39			1.0									164.2	NB PAVEMENT RECONSTRUCTION
C-12	"L"	521+00.00	"L"	525+51.01			1.9									300.2	SB PAVEMENT RECONSTRUCTION
C-11, C-12	"L"	520+00.00	"L"	524+70.00			0.9									152.2	SB PAVEMENT RECONSTRUCTION
L-4, L-5	"L"	512+20.00	"L"	518+00.00								4,232.0					EDH BLVD OVERLAY (EXCLUDES FINAL LIFT)
HOT MIX ASPHALT (TYPE A) (FROM Q-2)																	
CLASS 2 AGGREGATE BASE (FROM Q-2)																	
HOT MIX ASPHALT DIKE (FROM Q-1)																	
SUBTOTAL FROM SHEET Q-6																	
SUBTOTAL FROM SHEET Q-4																	
SUBTOTAL FROM SHEET Q-5																	
TOTAL																	

(N) NOT A SEPARATE PAY ITEM, FOR INFORMATION ONLY.

### SUMMARY OF QUANTITIES

NO SCALE **Q-6**

STATE OF CALIFORNIA - DEPARTMENT OF TRANSPORTATION  
 R. BRENT LEMON  
 CONSULTANT - FUNCTIONAL SUPERVISOR  
 NICK CLARK  
 CARL GIBSON  
 CALCULATED-DESIGNED BY  
 CHECKED BY  
 REVISED BY  
 DATE REVISED



LAST REVISION DATE PLOTTED => 7/3/2012  
 00-00-00 TIME PLOTTED => 10:36:16 AM