

COUNTY OF EL DORADO, CA
DEPARTMENT OF TRANSPORTATION

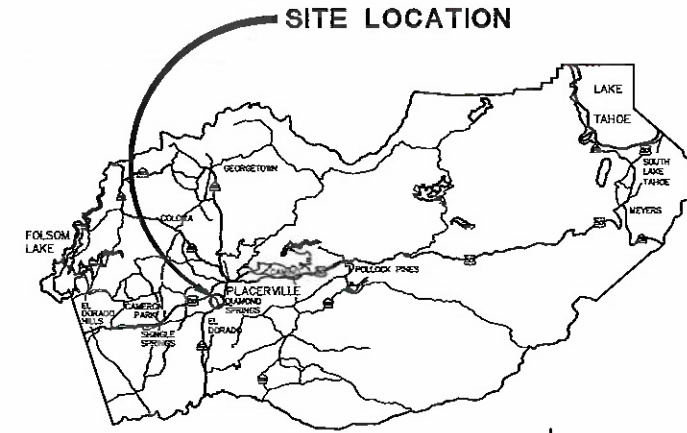
PROJECT PLANS FOR THE CONSTRUCTION OF
**ENTERPRISE DR AND INDUSTRIAL DR
INTERSECTION IMPROVEMENTS**

IN THE COUNTY OF EL DORADO, DISTRICT 3
ON MISSOURI FLAT RD, APPROX. 1.3 MILES SOUTH OF THE U.S. HWY 50/MISSOURI FLAT RD INTERCHANGE

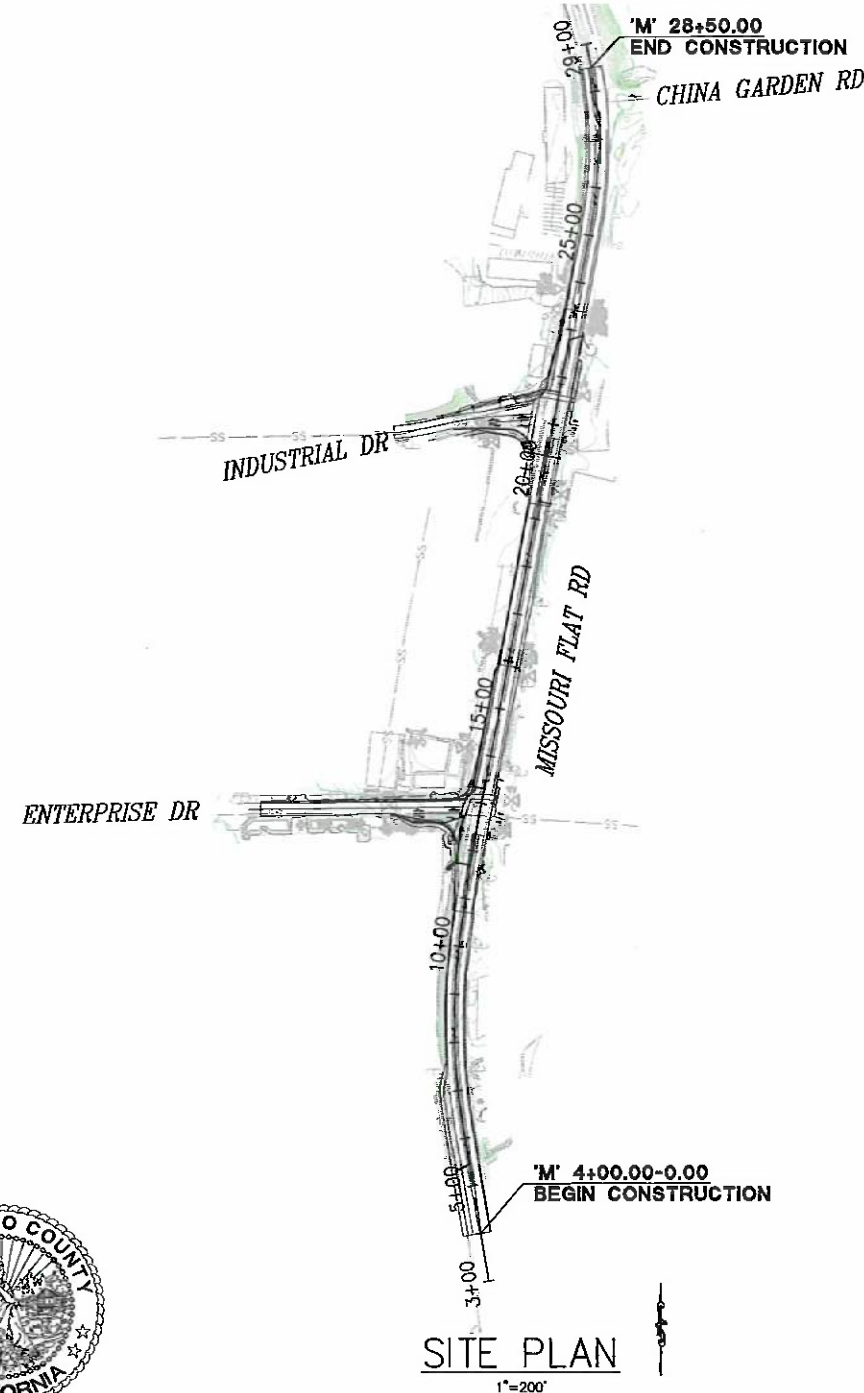
To be supplemented with Standard Plans and Specifications dated 2018, including
the 2018 Revised Standard Specifications, of the California Department of
Transportation, unless otherwise noted.

INDEX OF SHEETS

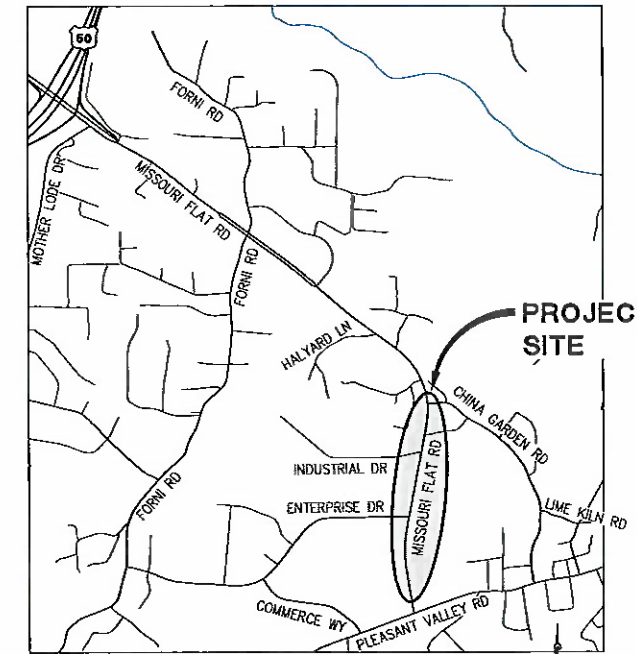
SHEET	PLAN SHEET	TITLE
1		TITLE SHEET
2-3	CD-1 THRU CD-2	SURVEY AND CONTROL DIAGRAM
4	X-1	TYPICAL SECTIONS-MISSOURI FLAT RD AND ENTERPRISE DR
5	X-2	TYPICAL SECTIONS-MISSOURI FLAT RD AND INDUSTRIAL DR
6-11	L-1 THRU L-6	LAYOUT
12-21	C-1 THRU C-10	CONSTRUCTION DETAILS
22-37	D-1 THRU D-16	DRAINAGE
38-48	SC-1 THRU SC-11	STAGE CONSTRUCTION
49-57	SPD-1 THRU SPD-9	SIGNING AND PAVEMENT DELINEATION
58	RW-1	RETAINING WALL
59-61	E-1 THRU E-3	SIGNAL AND LIGHTING PLANS-ENTERPRISE DR
62-64	E-4 THRU E-6	SIGNAL AND LIGHTING PLANS-INDUSTRIAL DR
65-66	E-7 THRU E-8	SIGNAL AND LIGHTING DETAILS



VICINITY MAP
COUNTY OF EL DORADO



SITE PLAN
1"=200'



LOCATION MAP
NOT TO SCALE

CONTRACTOR'S LICENSE CLASSIFICATION: Bidders shall be properly licensed to perform the Work pursuant to the State Contractor's License Act (Business and Professions Code section 7000 et seq.) and shall possess a CLASS A LICENSE or equivalent combination of Classes required by the categories and type of Work included in the Contract Documents and Plans. Failure of the successful Bidder to obtain proper and adequate licensing at the time bids are submitted shall constitute a failure to execute the Contract, and forfeiture as provided under that section.

REVISIONS

MARK	DATE	BY



SUBMITTED BY:
CIVIL ENGINEER
STATE OF CALIFORNIA NO.

4/18/2023
DATE

BOARD OF SUPERVISORS
I JOHN HIDAHL
II GEORGE TURNBOO
III WENDY THOMAS
IV LORI PARLIN
V BROOKE LAINE

COUNTY OF EL DORADO
DEPARTMENT OF TRANSPORTATION

(530) 621-5900
2850 FAIRLANE CT
PLACERVILLE, CA 95667

APPROVED BY: *[Signature]* DATE: 4/18/23
CHIEF OF COUNTY BOARD OF SUPERVISORS
APPROVED BY: *[Signature]* DATE: 4/18/23
RAFAEL MARTINEZ, DIRECTOR
DEPARTMENT OF TRANSPORTATION
MATTHEW D. SWELTER P.E. NO. C59632
DEPUTY DIRECTOR, ENGINEERING

CONTRACT NO. 6286 CIP NO. 73365 & 73366

ENTERPRISE DR AND
INDUSTRIAL DR INTERSECTION
IMPROVEMENTS
TITLE SHEET

SHEET 1 OF 66

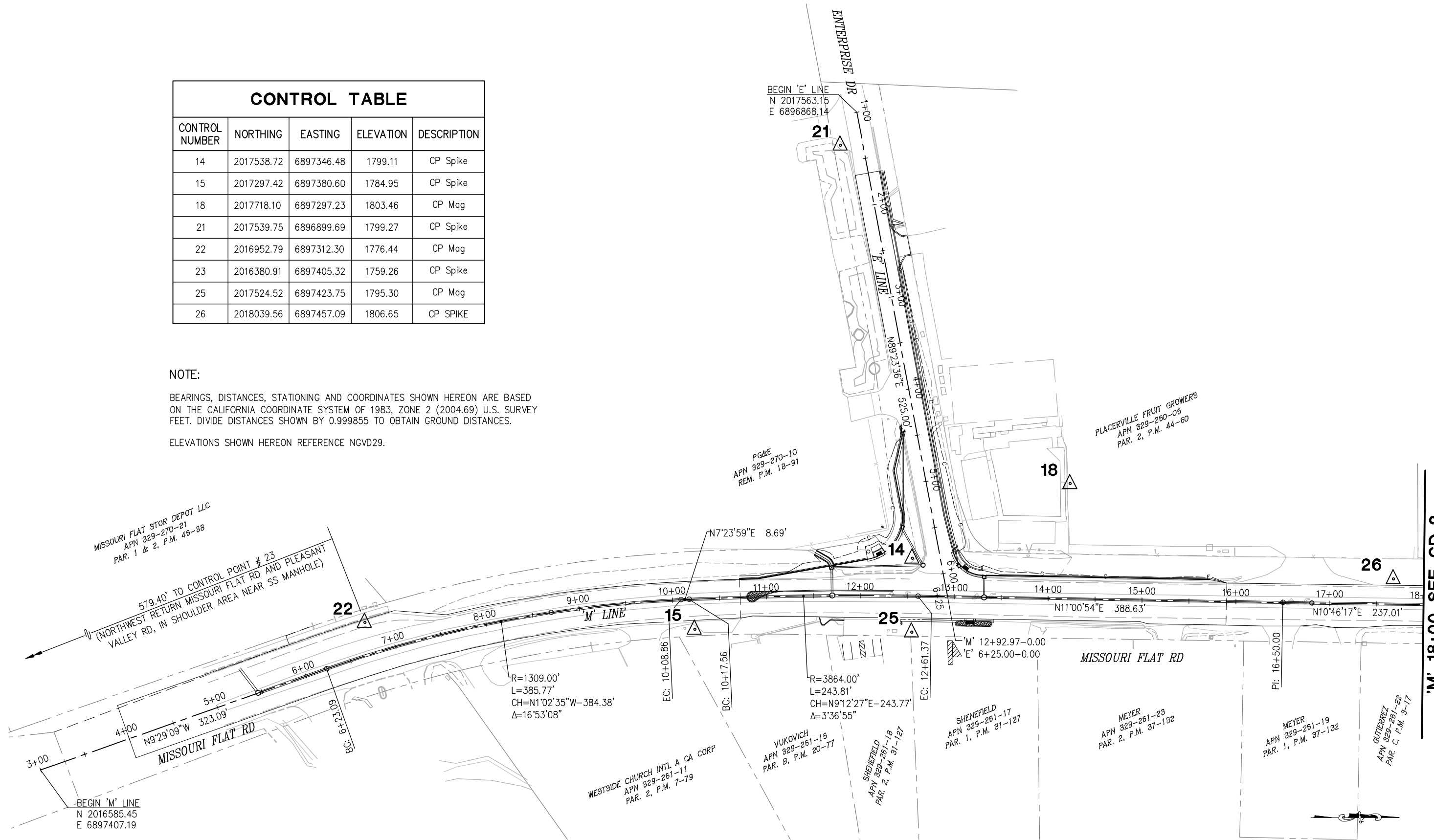
ORIGINAL SCALE IS IN INCHES
Drawing name: Z:\Civil 3D Projects\73366 Enterprise-Industrial\CADD_Files\Sheets\CD-Sheets.dwg Layout Tab: CD-1 Apr 10, 2023 1:40pm smcvey

CONTROL TABLE				
CONTROL NUMBER	NORTHING	EASTING	ELEVATION	DESCRIPTION
14	2017538.72	6897346.48	1799.11	CP Spike
15	2017297.42	6897380.60	1784.95	CP Spike
18	2017718.10	6897297.23	1803.46	CP Mag
21	2017539.75	6896899.69	1799.27	CP Spike
22	2016952.79	6897312.30	1776.44	CP Mag
23	2016380.91	6897405.32	1759.26	CP Spike
25	2017524.52	6897423.75	1795.30	CP Mag
26	2018039.56	6897457.09	1806.65	CP SPIKE

NOTE:

BEARINGS, DISTANCES, STATIONING AND COORDINATES SHOWN HEREON ARE BASED ON THE CALIFORNIA COORDINATE SYSTEM OF 1983, ZONE 2 (2004.69) U.S. SURVEY FEET. DIVIDE DISTANCES SHOWN BY 0.999855 TO OBTAIN GROUND DISTANCES.

ELEVATIONS SHOWN HEREON REFERENCE NGVD29.



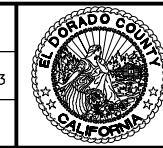
SURVEY AND CONTROL DIAGRAM
SCALE : 1" = 50'

REVISION	NUMBER	DATE	DESCRIPTION	BY



PREPARED UNDER THE SUPERVISION OF:
Joseph C. Neely
PROFESSIONAL LAND SURVEYOR
DATE: 4/18/23

DESIGNED: DWH
DRAWN: SGM
CHECKED: DWH
DATE: 03/29/23
ROAD NUMBER: 009



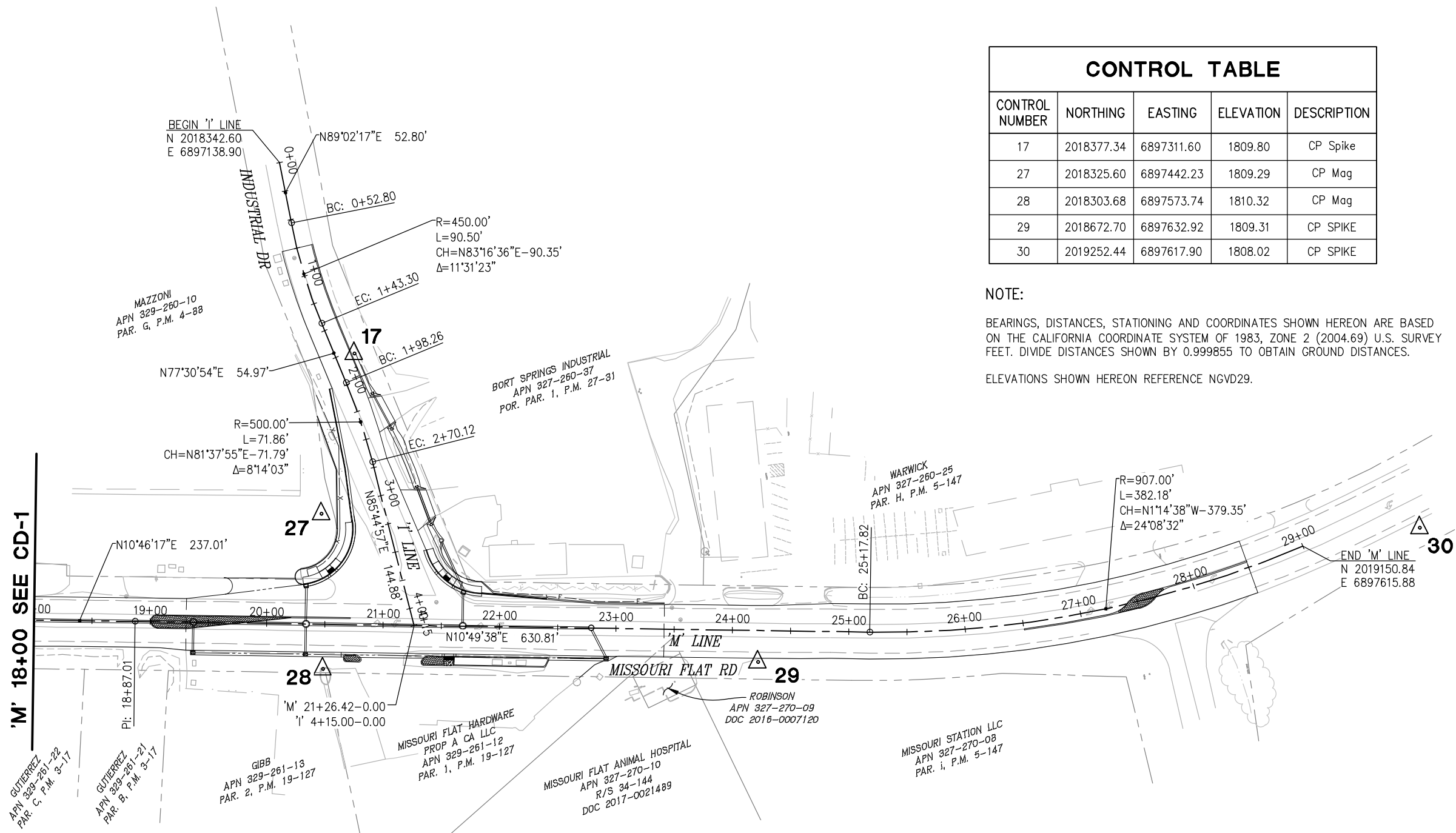
COUNTY OF EL DORADO
DEPARTMENT OF TRANSPORTATION

ENTERPRISE DR AND INDUSTRIAL DR
INTERSECTION IMPROVEMENTS

SHEET
CD-1
2 OF 66
CONTRACT NO.
6286

'M' 18+00 SEE CD-2

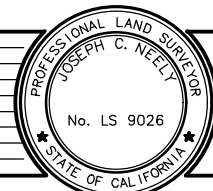
ORIGINAL SCALE IS IN INCHES
 Drawing name: Z:\Civil 3D Projects\73366 Enterprise-Industrial\CADD Files\Sheets\CD-Sheets.dwg Layout Tab: CD-2 Apr 14, 2023 - 10:07am smcvey
 FOR REDUCED PLANS



CONTROL TABLE				
CONTROL NUMBER	NORTHING	EASTING	ELEVATION	DESCRIPTION
17	2018377.34	6897311.60	1809.80	CP Spike
27	2018325.60	6897442.23	1809.29	CP Mag
28	2018303.68	6897573.74	1810.32	CP Mag
29	2018672.70	6897632.92	1809.31	CP SPIKE
30	2019252.44	6897617.90	1808.02	CP SPIKE

NOTE:
 BEARINGS, DISTANCES, STATIONING AND COORDINATES SHOWN HEREON ARE BASED ON THE CALIFORNIA COORDINATE SYSTEM OF 1983, ZONE 2 (2004.69) U.S. SURVEY FEET. DIVIDE DISTANCES SHOWN BY 0.999855 TO OBTAIN GROUND DISTANCES.
 ELEVATIONS SHOWN HEREON REFERENCE NGVD29.

SURVEY AND CONTROL DIAGRAM
 SCALE : 1" = 50'



PREPARED UNDER THE SUPERVISION OF:
Joseph C. Neely
 PROFESSIONAL LAND SURVEYOR
 DATE: 4/18/23

DESIGNED: DWH
 DRAWN: SGM
 CHECKED: DWH
 DATE: 01/31/23
 ROAD NUMBER: 009



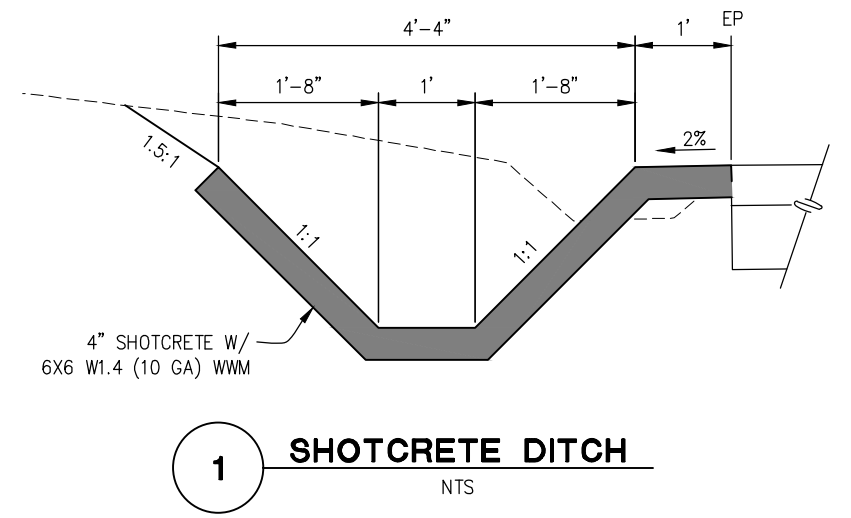
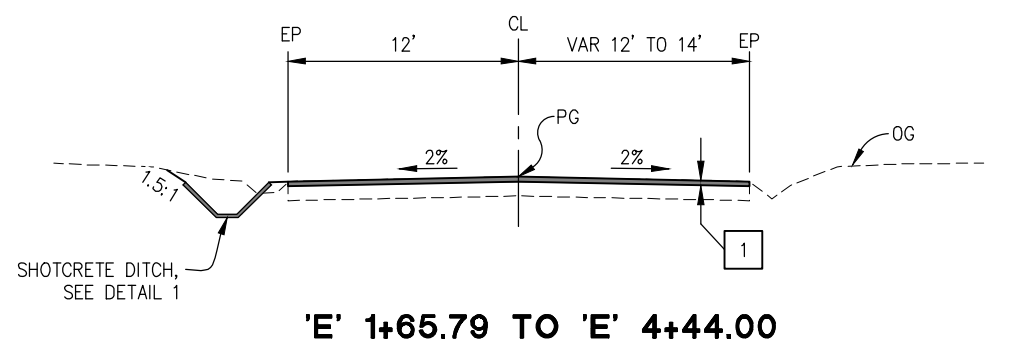
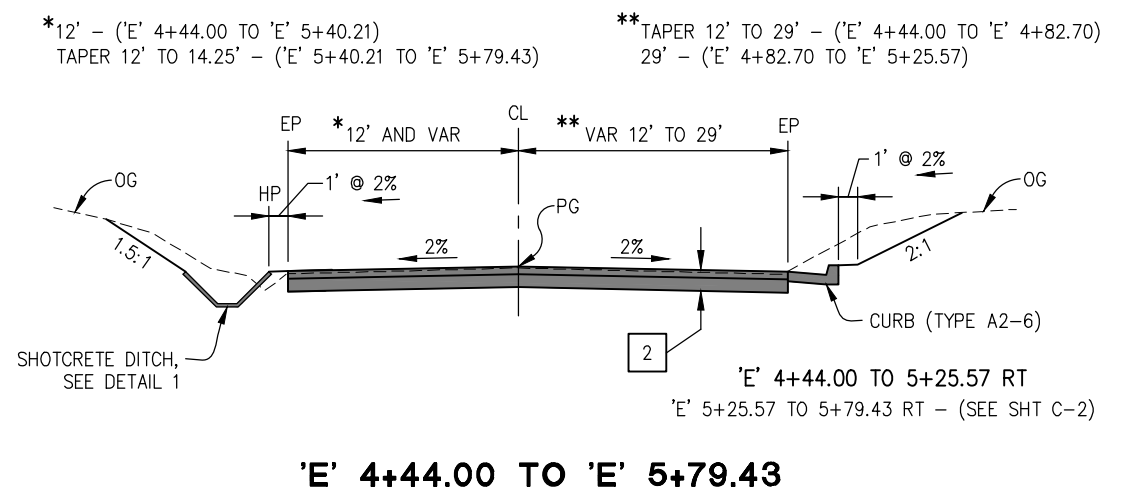
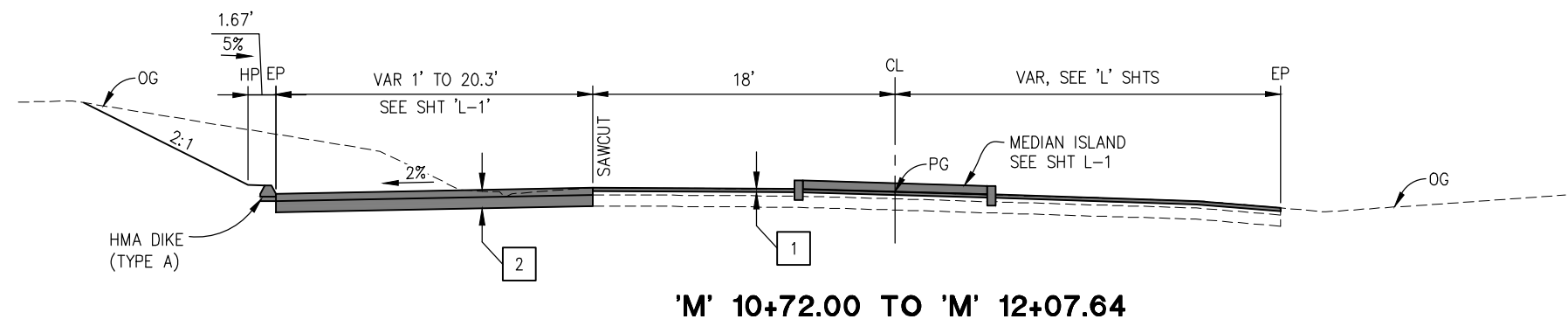
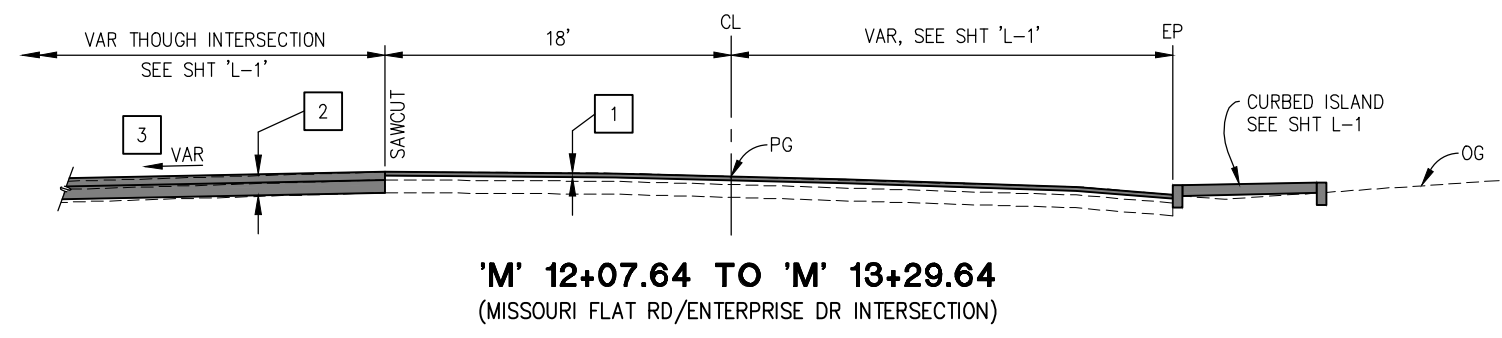
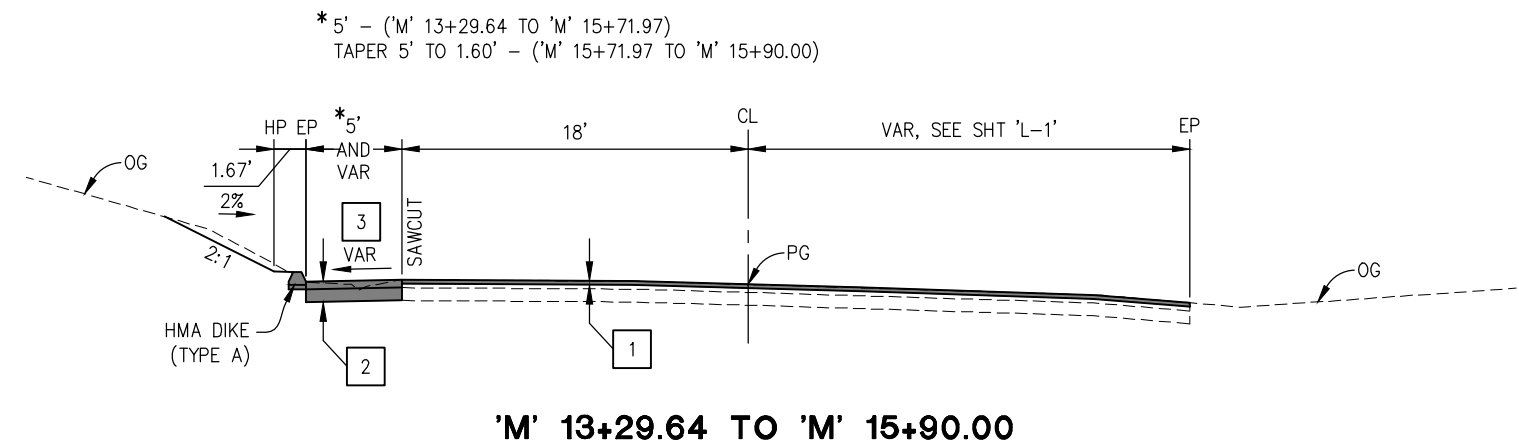
COUNTY OF EL DORADO
DEPARTMENT OF TRANSPORTATION

ENTERPRISE DR AND INDUSTRIAL DR
INTERSECTION IMPROVEMENTS

SHEET
CD-2
 3 OF 66
 CONTRACT NO.
6286

REVISION	NUMBER	DATE	DESCRIPTION	BY

ORIGINAL SCALE IS IN INCHES
 Drawing name: Z:\Civil 3D Projects\73365 Enterprise-Industrial\CADD_Files\Sheets\X-Sheets.dwg Layout Tab: X-1 Apr 10, 2023 1:41pm smcvey



CONSTRUCTION NOTES:

- 1 - 0.2' MIN GRIND AND OVERLAY, HMA (TYPE A)
- 2 - 5" HMA (TYPE A)
8" AB (CLASS 2)
- 3 - CROSS SLOPE VARIES, SEE SHT 'L-1'

TYPICAL SECTIONS
MISSOURI FLAT RD AND ENTERPRISE DR
SCALE : NONE

REVISION	NUMBER	DATE	DESCRIPTION	BY



PREPARED UNDER THE SUPERVISION OF :
Justin W. Harrington
 REGISTERED CIVIL ENGINEER
 DATE: 4/18/23

DESIGNED: DWH
 DRAWN: SGM
 CHECKED: DWH
 DATE: 03/29/23
 ROAD NUMBER: 009

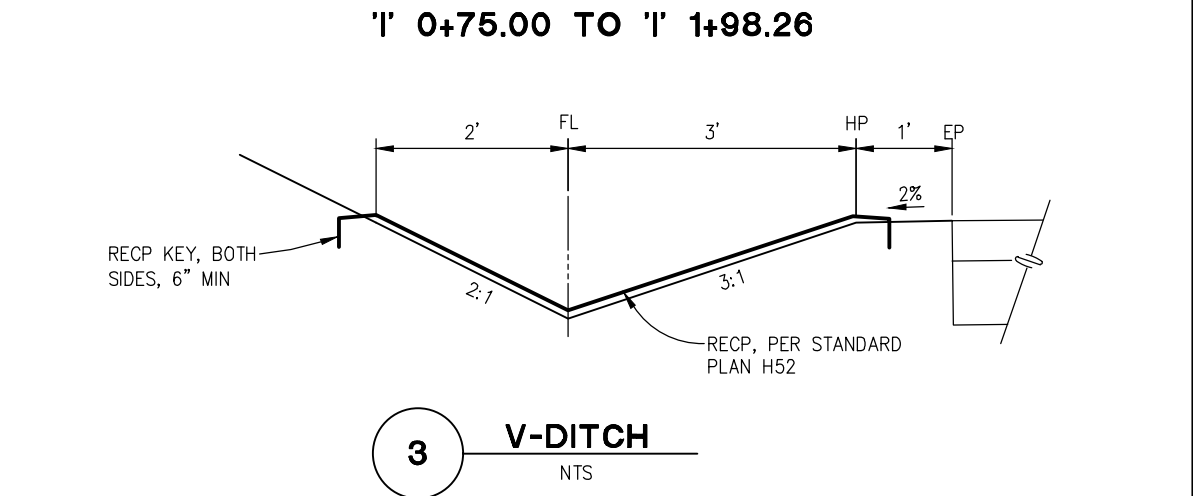
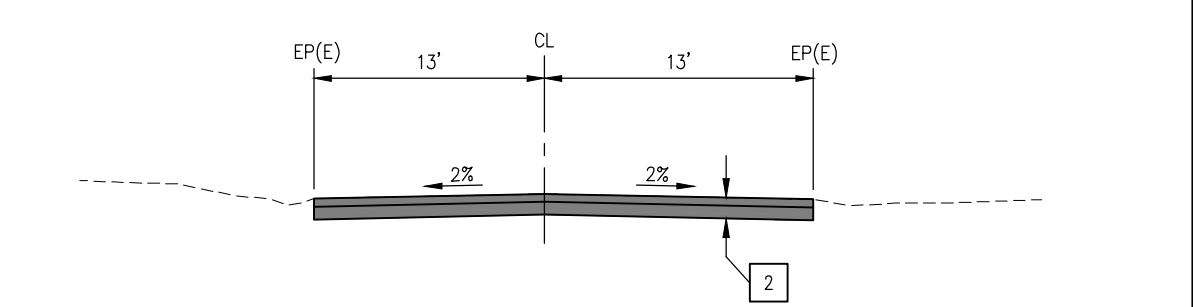
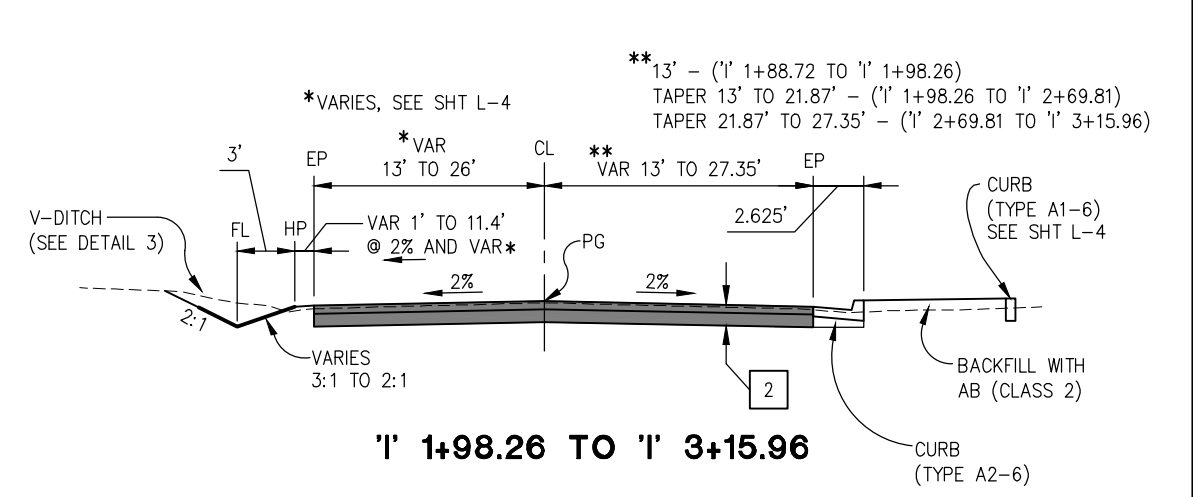
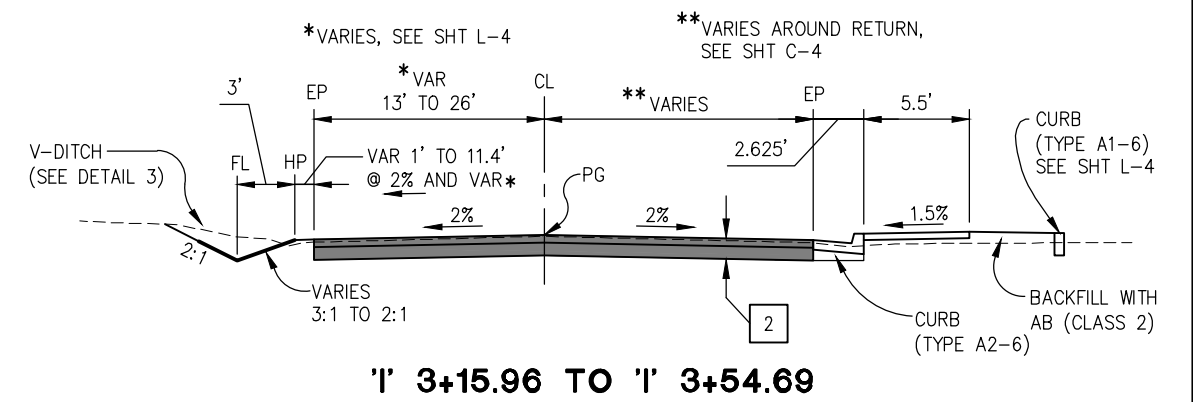
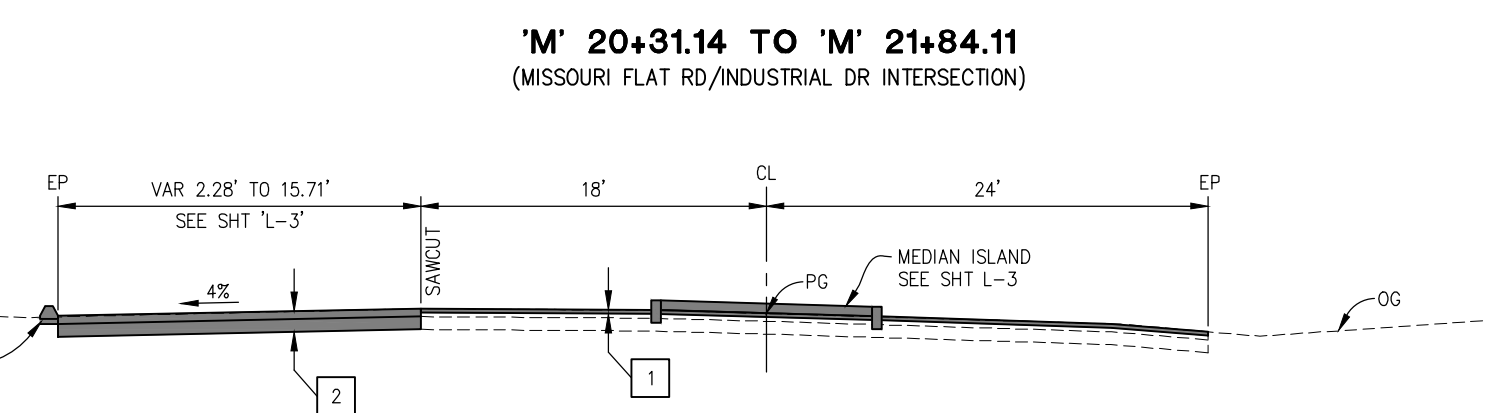
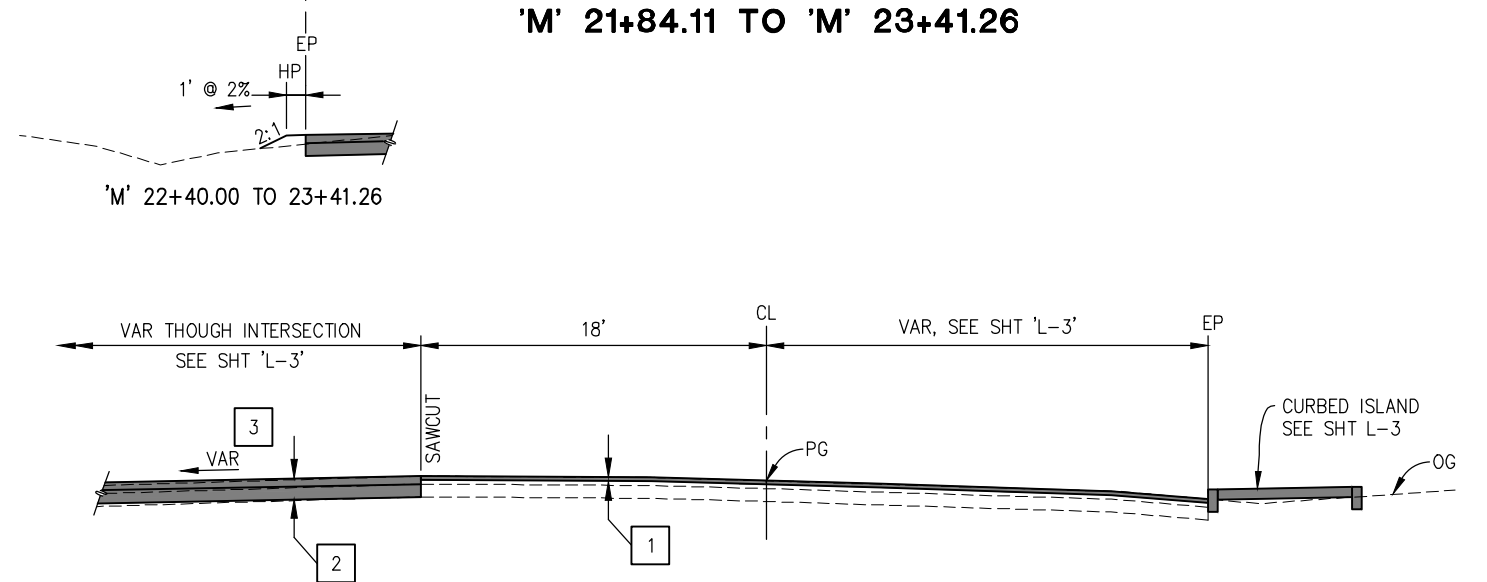
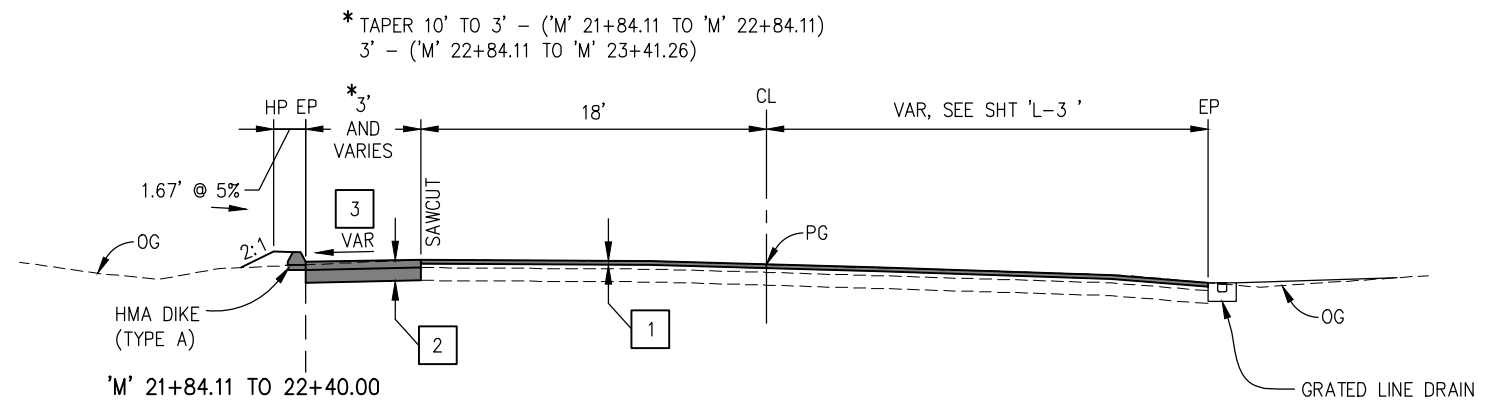


COUNTY OF EL DORADO
DEPARTMENT OF TRANSPORTATION

ENTERPRISE DR AND INDUSTRIAL DR
INTERSECTION IMPROVEMENTS

SHEET
X-1
 4 OF 66
 CONTRACT NO.
6286

ORIGINAL SCALE IS IN INCHES
 Drawing name: Z:\Civil 3D Projects\73365 73366 Enterprise-Industrial\CADD_Files\Sheets\X-Sheets.dwg Layout Tab: X-2 Apr 10, 2023 1:42pm smcvey
 FOR REDUCED PLANS
 2
 1
 0



CONSTRUCTION NOTES:

- 1 — 0.2' MIN GRIND AND OVERLAY, HMA (TYPE A)
- 2 — 5" HMA (TYPE A)
8" AB (CLASS 2)
- 3 — CROSS SLOPE VARIES, SEE SHT 'L-1'

**TYPICAL SECTIONS
 MISSOURI FLAT RD AND INDUSTRIAL DR
 SCALE : NONE**

REVISION	NUMBER	DATE	DESCRIPTION	BY



PREPARED UNDER THE SUPERVISION OF:
 [Signature]
 REGISTERED CIVIL ENGINEER
 DATE: 4/18/23

DESIGNED: DWH
 DRAWN: SGM
 CHECKED: DWH
 DATE: 03/29/23
 ROAD NUMBER: 009

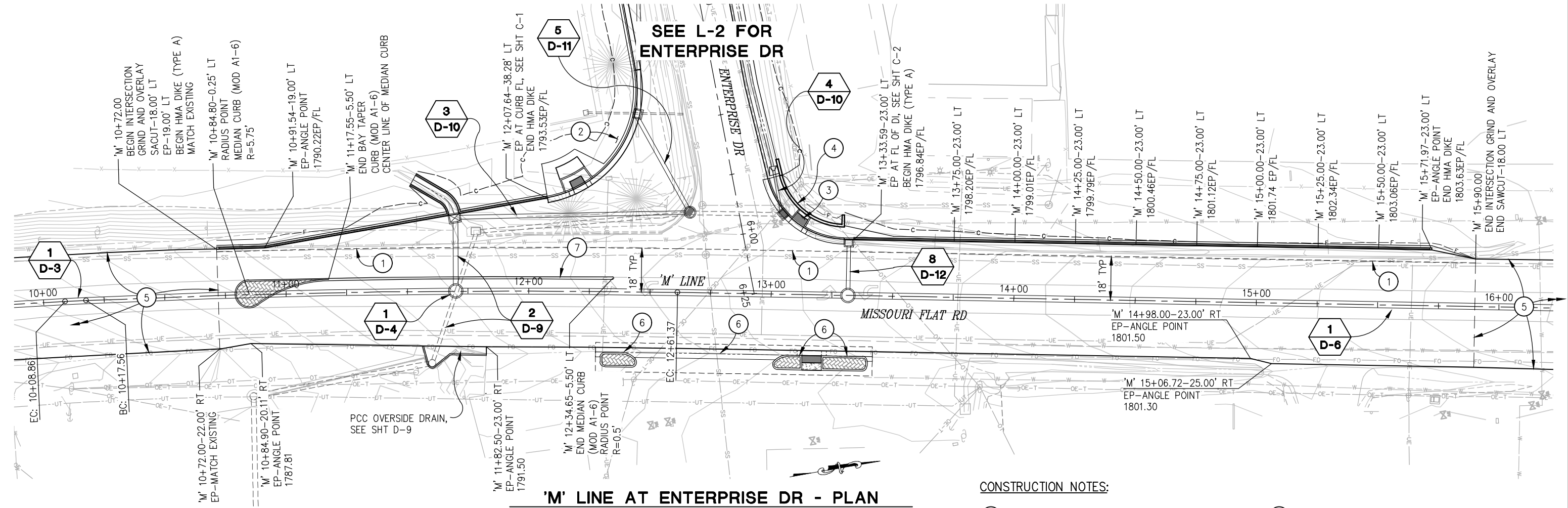


**COUNTY OF EL DORADO
 DEPARTMENT OF TRANSPORTATION**

**ENTERPRISE DR AND INDUSTRIAL DR
 INTERSECTION IMPROVEMENTS**

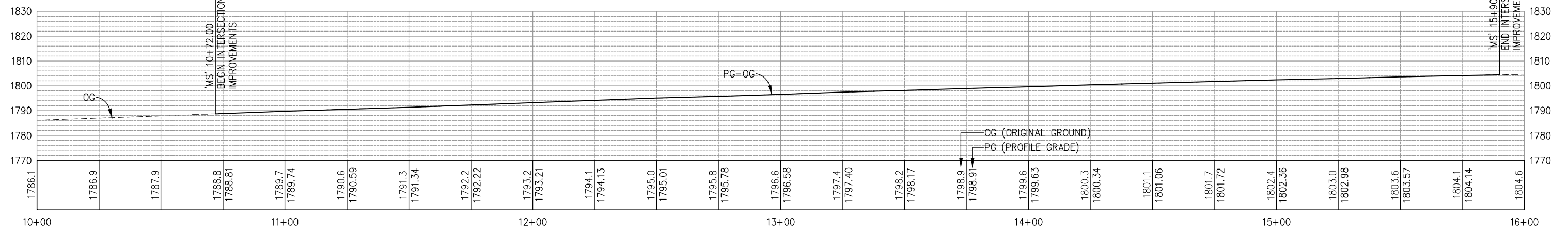
SHEET
X-2
 5 OF 66
 CONTRACT NO.
6286

ORIGINAL SCALE IS IN INCHES
 Drawing name: Z:\Civil_3D\Projects\73365\73366 Enterprise-Industrial\CADD\Files\Sheets\L-Sheets.dwg Layout Tab: L-1 Apr 10, 2023 1:43pm smcvey
 FOR REDUCED PLANS



CONSTRUCTION NOTES:

- ① — SAWCUT TO A CLEAN UNIFORM LINE
- ② — SEE SHT C-1 FOR SOUTHWEST RETURN DETAILS
- ③ — SEE SHT C-2 FOR NORTHWEST RETURN DETAILS
- ④ — BLOCK RETAINING WALL, SEE 'RW' SHTS FOR LAYOUT AND DETAILS
- ⑤ — GRIND AND OVERLAY MISSOURI FLAT RD, SEE SHT L-5 FOR DETAILS
- ⑥ — CURBED ISLAND AND VALLEY GUTTER, SEE SHT C-7 FOR DETAILS
- ⑦ — MEDIAN, SEE SHT C-7 FOR DETAILS



REVISION	NUMBER	DATE	DESCRIPTION	BY



PREPARED UNDER THE SUPERVISION OF:
 [Signature]
 REGISTERED CIVIL ENGINEER
 DATE: 4/18/23

DESIGNED: DWH
 DRAWN: SGM
 CHECKED: DWH
 DATE: 03/29/23
 ROAD NUMBER: 009

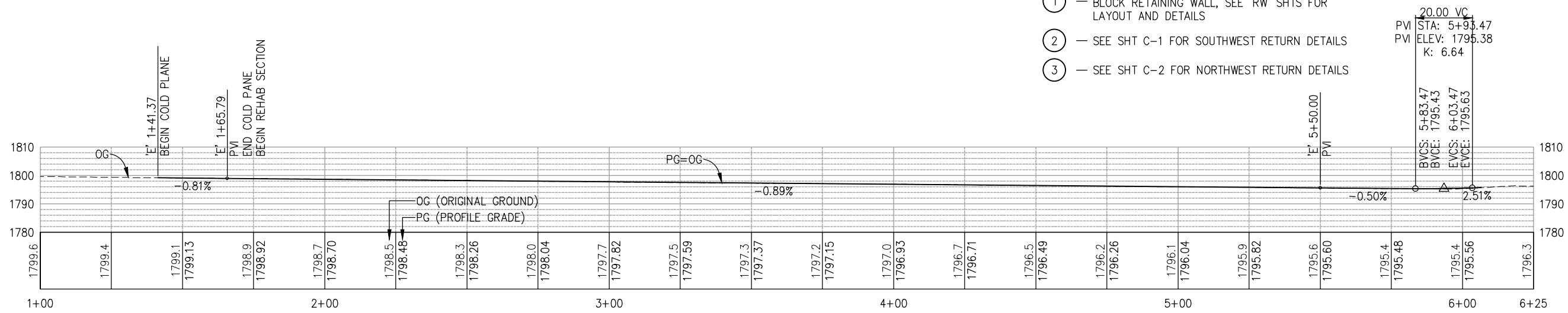
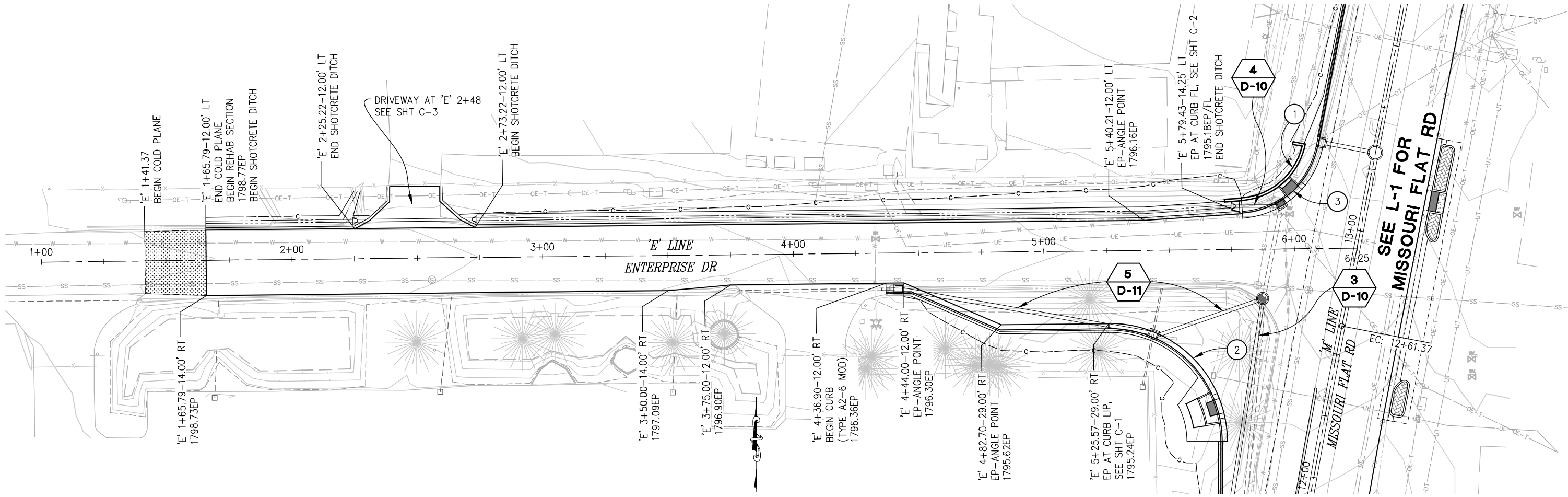


COUNTY OF EL DORADO
DEPARTMENT OF TRANSPORTATION

ENTERPRISE DR AND INDUSTRIAL DR
INTERSECTION IMPROVEMENTS

SHEET
L-1
 6 OF 66
 CONTRACT NO.
6286

ORIGINAL SCALE IS IN INCHES
 Drawing name: Z:\Civil_3D\Projects\73365\73366 Enterprise-Industrial\CADD Files\Sheets_-Sheets.dwg Layout Tab: L-2 Apr 14, 2023 9:32am smrcvry
 FOR REDUCED PLANS



CONSTRUCTION NOTES:

- ① — BLOCK RETAINING WALL, SEE 'RW' SHTS FOR LAYOUT AND DETAILS
- ② — SEE SHT C-1 FOR SOUTHWEST RETURN DETAILS
- ③ — SEE SHT C-2 FOR NORTHWEST RETURN DETAILS

20.00 VC
 PVI STA: 5+93.47
 ELEV: 1795.38
 K: 6.64
 BYCS: 5+83.47
 BYCE: 1795.43
 EYCS: 6+03.47
 EYCE: 1795.63



PREPARED UNDER THE SUPERVISION OF:

 REGISTERED CIVIL ENGINEER
 DATE: 4/18/23

DESIGNED: DWH
 DRAWN: SGM
 CHECKED: DWH
 DATE: 03/29/23
 ROAD NUMBER: 009



COUNTY OF EL DORADO
DEPARTMENT OF TRANSPORTATION

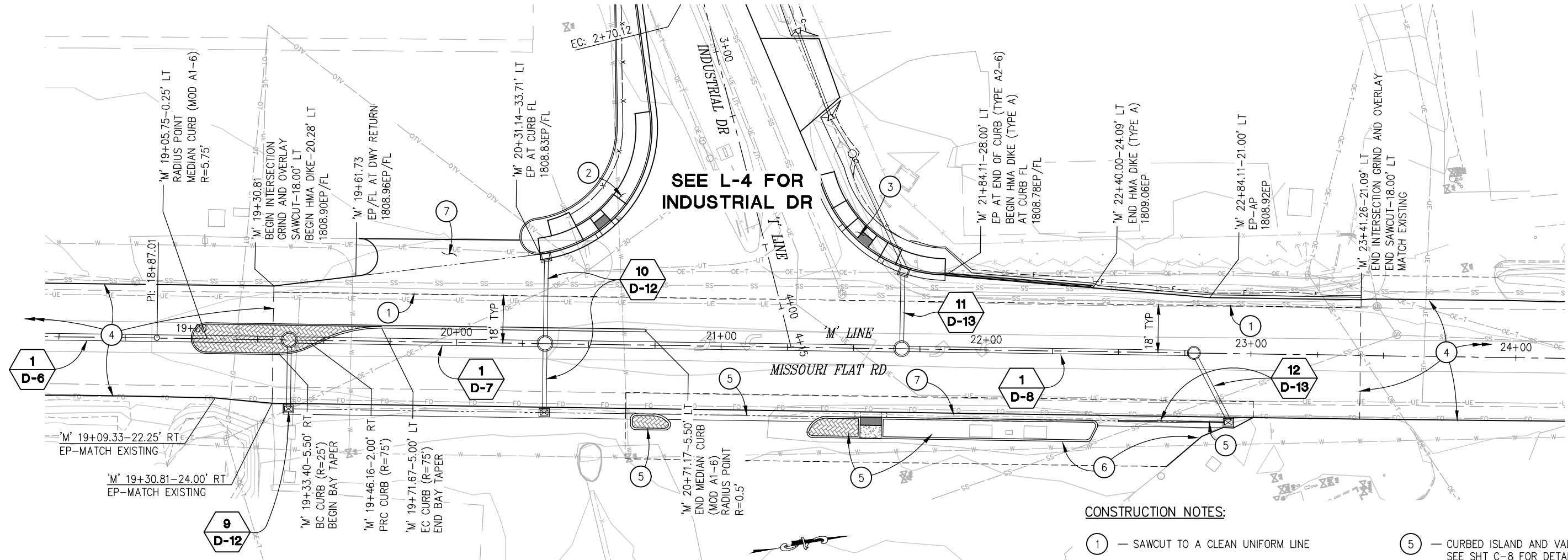
ENTERPRISE DR AND INDUSTRIAL DR
INTERSECTION IMPROVEMENTS

ENTERPRISE DR
LAYOUT
SCALE : AS SHOWN

SHEET
L-2
 7 OF 66
 CONTRACT NO.
6286

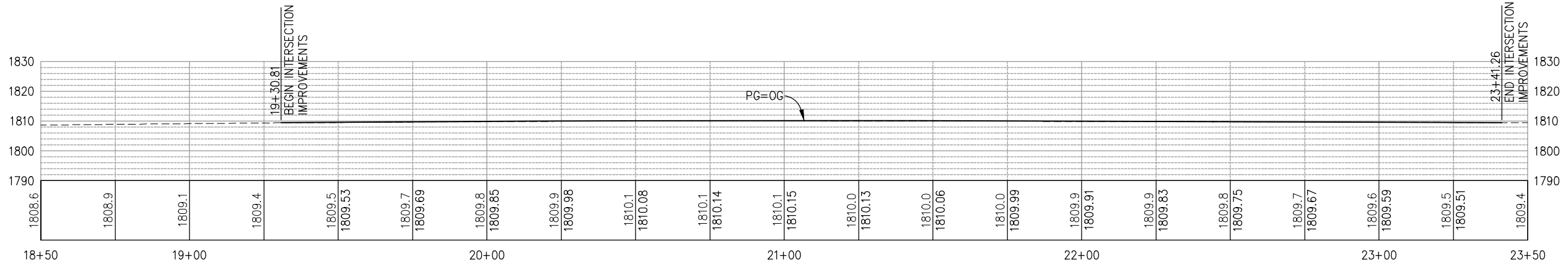
REVISION	NUMBER	DATE	DESCRIPTION	BY

ORIGINAL SCALE IS IN INCHES
 Drawing name: Z:\Civil_3D\Projects\73365\73366 Enterprise-Industrial\CADD\Files\Sheets\L-Sheets.dwg Layout Tab: L-3 Apr 18, 2023 9:09am srtvcy
 FOR REDUCED PLANS



CONSTRUCTION NOTES:

- ① - SAWCUT TO A CLEAN UNIFORM LINE
- ② - SEE SHT C-4 FOR SOUTHWEST RETURN DETAILS
- ③ - SEE SHT C-5 FOR NORTHWEST RETURN DETAILS
- ④ - GRIND AND OVERLAY MISSOURI FLAT RD, SEE SHT L-5 FOR DETAILS
- ⑤ - CURBED ISLAND AND VALLEY GUTTER, SEE SHT C-8 FOR DETAILS
- ⑥ - DWY IMPROVEMENTS, SEE SHT C-9 FOR DETAILS
- ⑦ - DWY IMPROVEMENTS, SEE SHT C-10 FOR DETAILS



INDUSTRIAL DR INTERSECTION LAYOUT
 SCALE : AS SHOWN

REVISION	NUMBER	DATE	DESCRIPTION	BY



PREPARED UNDER THE SUPERVISION OF :

 REGISTERED CIVIL ENGINEER
 DATE: 4/18/23

DESIGNED: DWH
 DRAWN: SGM
 CHECKED: DWH
 DATE: 03/29/23
 ROAD NUMBER: 009

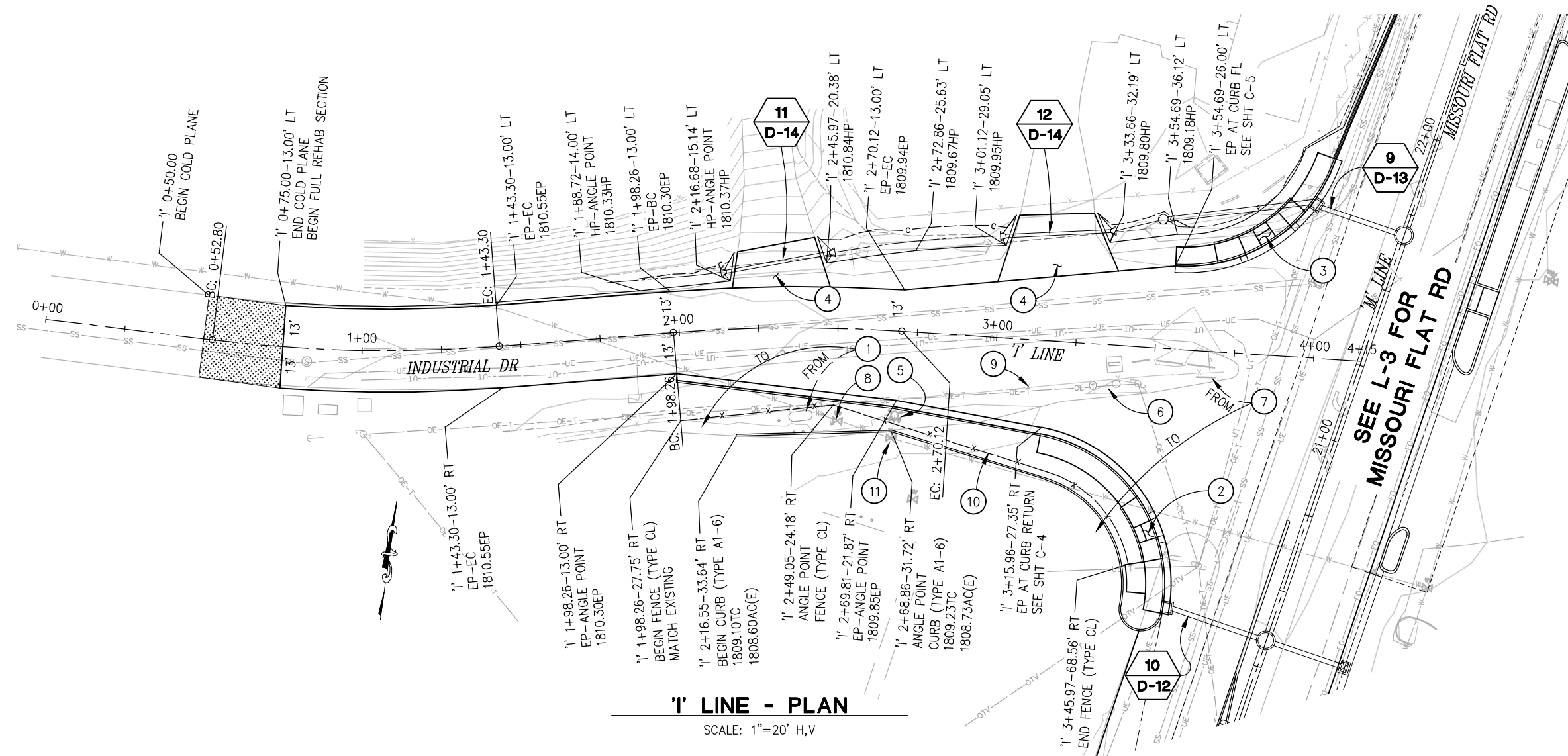


COUNTY OF EL DORADO
DEPARTMENT OF TRANSPORTATION

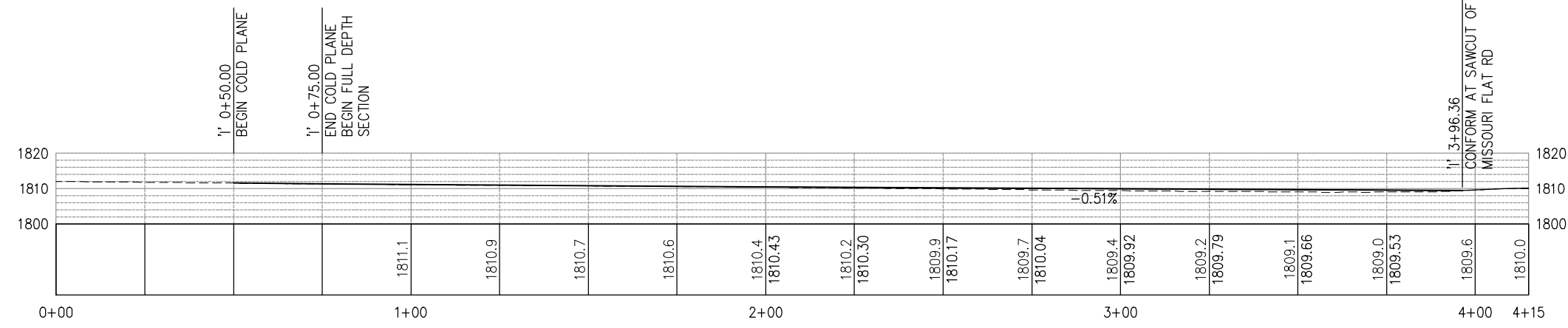
ENTERPRISE DR AND INDUSTRIAL DR
INTERSECTION IMPROVEMENTS

SHEET
L-3
 8 OF 66
 CONTRACT NO.
6286

ORIGINAL SCALE IS IN INCHES
 Drawing name: Z:\Civil_3D\Projects\73365_73366 Enterprise-Industrial\CADD_Files\Sheets\L-Sheets.dwg Layout Tab: L-4 Apr 14, 2023 10:00am smcovey
 FOR REDUCED PLANS



'I' LINE - PLAN
SCALE: 1"=20' H,V



'I' LINE - PROFILE
SCALE: 1"=20' H,V

GENERAL NOTES:

- REFER TO CALTRANS STD PLAN A88A FOR CURB RAMP DETAILS NOT SHOWN

CONSTRUCTION NOTES:

- RELOCATE PROPANE TANK AND INSTALL NEW BOLLARDS AS DIRECTED BY THE ENGINEER. NEW TANK LOCATION TO BE MIN. 25' CLEAR TO BUILDINGS.
- SEE SHT C-4 FOR SOUTHWEST RETURN DETAILS
- SEE SHT C-5 FOR NORTHWEST RETURN DETAILS
- SEE SHT C-6 FOR DRIVEWAY DETAILS
- REPLACE FIRE HYDRANT IN PLACE, ADJUST VERTICAL POSITION PER EID STD DWG W18 (RAISE APPROX 1')
- REMOVE MAILBOXES & INSTALL NEW 8-DOOR CLUSTER MAILBOX UNIT AT LOCATION AGREED BY THE PROPERTY OWNER AND USPS AND AS DIRECTED BY THE ENGINEER
- RELOCATE GREEN STEEL SIGN FRAME AS DIRECTED BY THE ENGINEER
- REPLACE WATER METER BOXES TO MATCH FG
- REMOVE APPROX 123 LF OF CL FENCE
- FENCE (TYPE CL), PLACE APPROX 2' BEHIND TYPE A1-6 CURB AS DIRECTED BY THE ENGINEER
- PROTECT HYDRANT VALVE BOX & LID IN PLACE

INDUSTRIAL DR LAYOUT SCALE : AS SHOWN



PREPARED UNDER THE SUPERVISION OF:
[Signature]
 REGISTERED CIVIL ENGINEER
 DATE: 4/18/23

DESIGNED: DWH
 DRAWN: SGM
 CHECKED: DWH
 DATE: 03/29/23
 ROAD NUMBER: 009



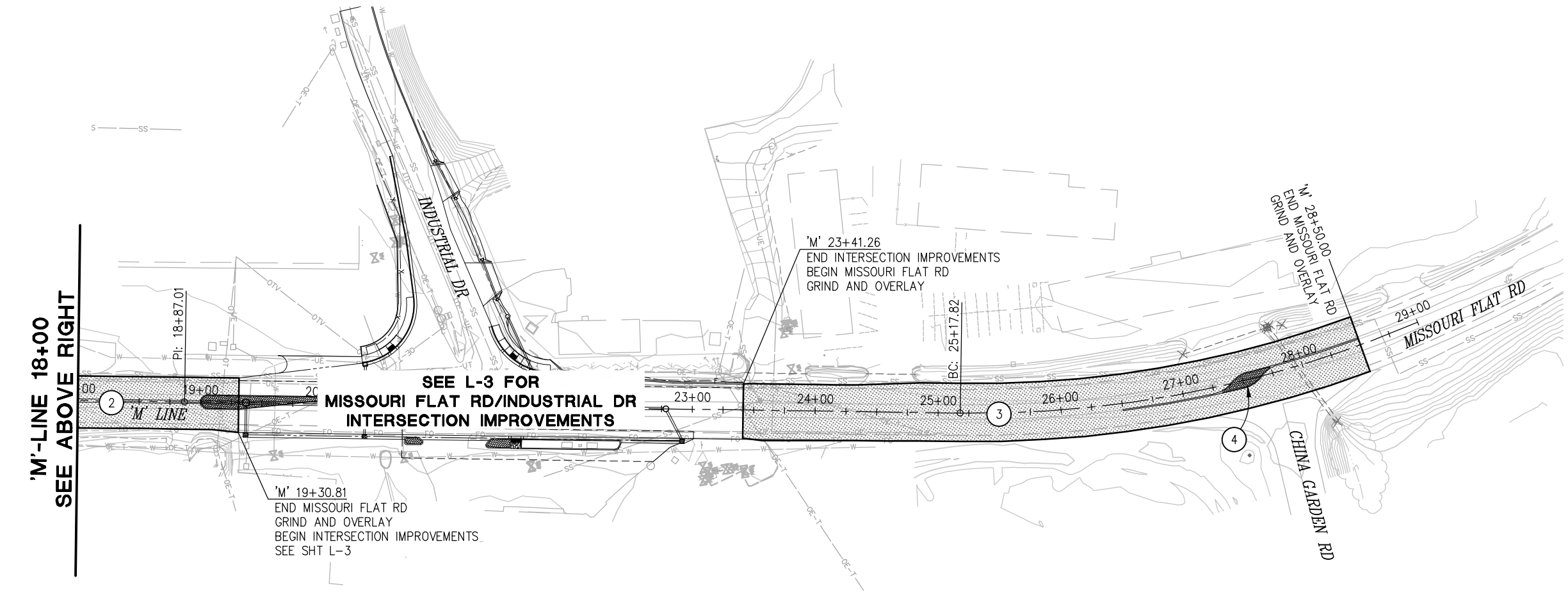
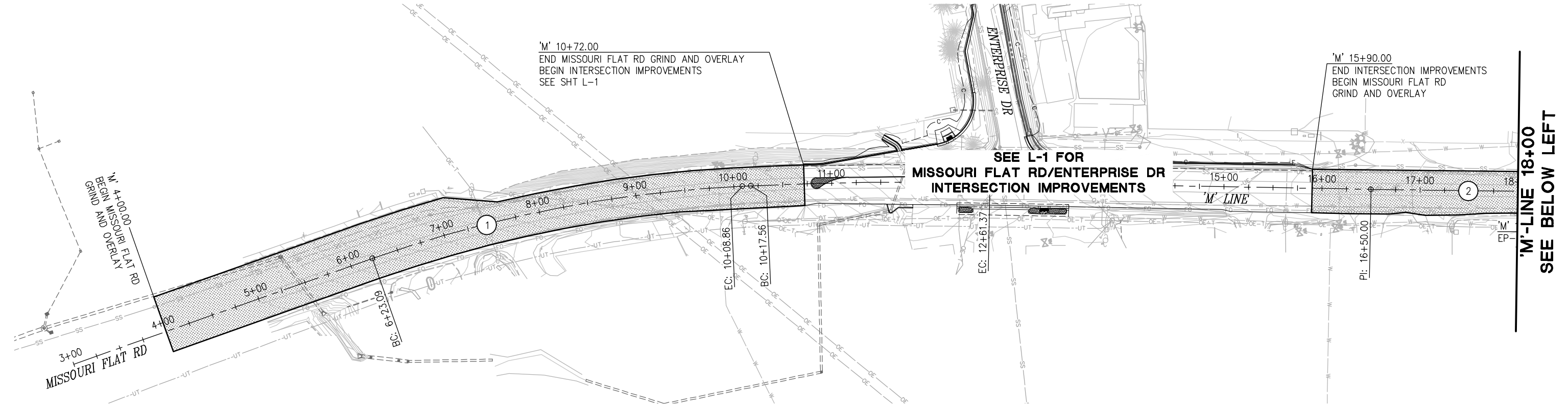
COUNTY OF EL DORADO DEPARTMENT OF TRANSPORTATION

ENTERPRISE DR AND INDUSTRIAL DR INTERSECTION IMPROVEMENTS

REVISION NUMBER	DATE	DESCRIPTION	BY

SHEET
L-4
 9 OF 66
 CONTRACT NO.
6286

ORIGINAL SCALE IS IN INCHES
 Drawing name: Z:\Civil_3D\Projects\73365_73366 Enterprise-Industrial\CADD_Files\Sheets\L-Sheets.dwg Layout Tab: L-5 Apr 10, 2023 1:44pm smrcvay
 FOR REDUCED PLANS



- CONSTRUCTION NOTES:**
- ① — GRIND AND OVERLAY MISSOURI FLAT ROAD, (FULL WIDTH, EP TO EP, 0.2' MIN) ±33,665 S.F.
 - ② — GRIND AND OVERLAY MISSOURI FLAT ROAD, (FULL WIDTH, EP TO EP, 0.2' MIN) ±14,865 S.F.
 - ③ — GRIND AND OVERLAY MISSOURI FLAT ROAD, (FULL WIDTH, EP TO EP, 0.2' MIN) ±23,775 S.F.
 - ④ — SEE SHT L-6 FOR RAISED MEDIAN

MISSOURI FLAT RD GRIND AND OVERLAY LAYOUT
SCALE : 1"=50'

REVISION	NUMBER	DATE	DESCRIPTION	BY



PREPARED UNDER THE SUPERVISION OF :

 REGISTERED CIVIL ENGINEER
 DATE: 4/18/23

DESIGNED: DWH
 DRAWN: SGM
 CHECKED: DWH
 DATE: 03/29/23
 ROAD NUMBER: 009

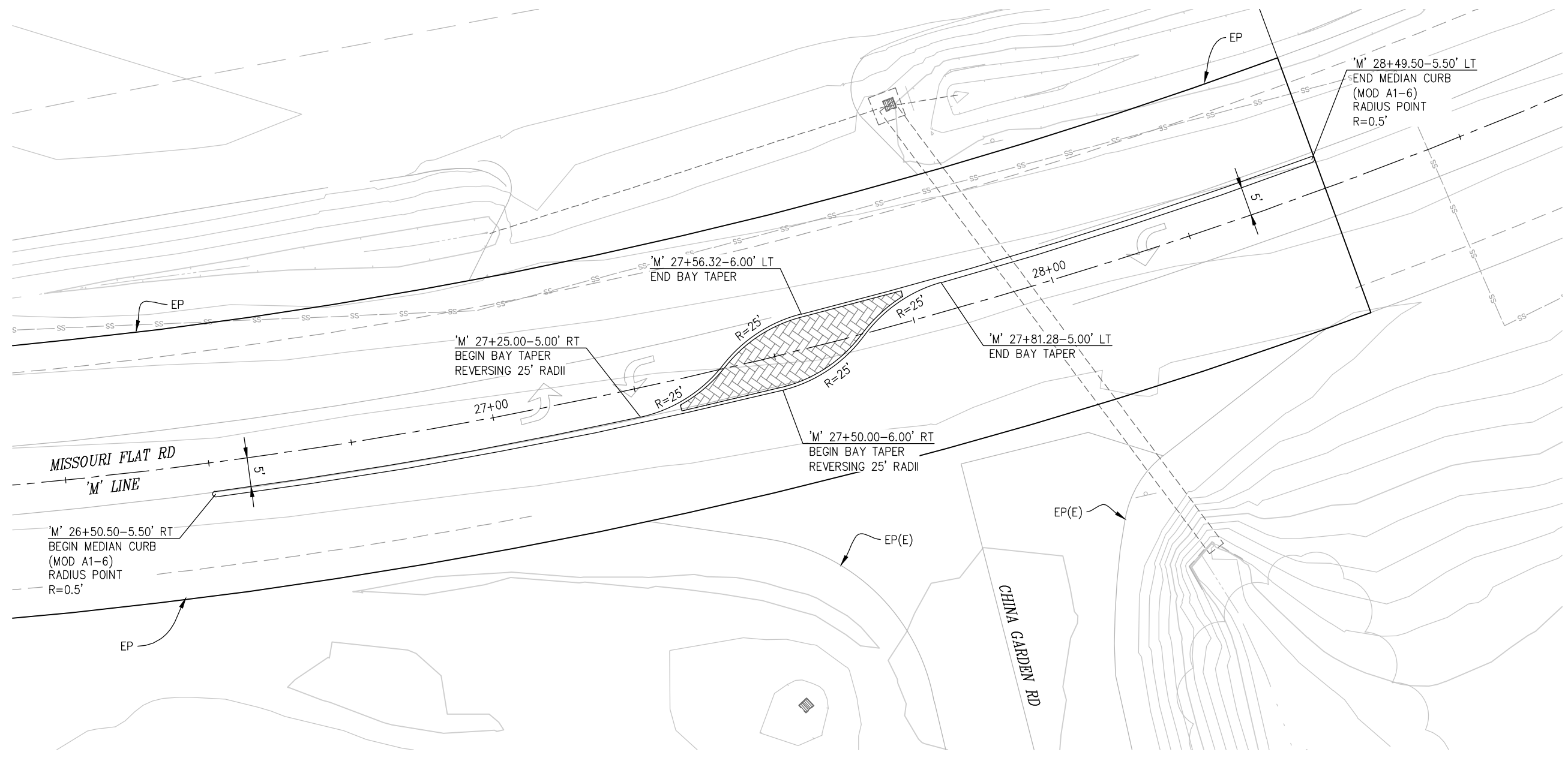


COUNTY OF EL DORADO
DEPARTMENT OF TRANSPORTATION

ENTERPRISE DR AND INDUSTRIAL DR
INTERSECTION IMPROVEMENTS

SHEET
L-5
 10 OF 66
 CONTRACT NO.
6286

ORIGINAL SCALE IS IN INCHES
 Drawing name: Z:\Civil_3D\Projects\73365\73366 Enterprise-Industrial\CADD Files\Sheets\L-Sheets.dwg Layout Tab: L-6 Apr 10, 2023 1:44pm smrcv
 FOR REDUCED PLANS
 REVISION



RAISED MEDIAN AT CHINA GARDEN RD

SCALE: 1"=10'

**RAISED MEDIAN AT CHINA GARDEN RD
 LAYOUT
 SCALE : AS SHOWN**

REVISION	NUMBER	DATE	DESCRIPTION	BY



PREPARED UNDER THE SUPERVISION OF :

 REGISTERED CIVIL ENGINEER
 DATE: 4/18/23

DESIGNED: DWH
 CHECKED: DWH
 ROAD NUMBER: 009
 DRAWN: SGM
 DATE: 03/29/23



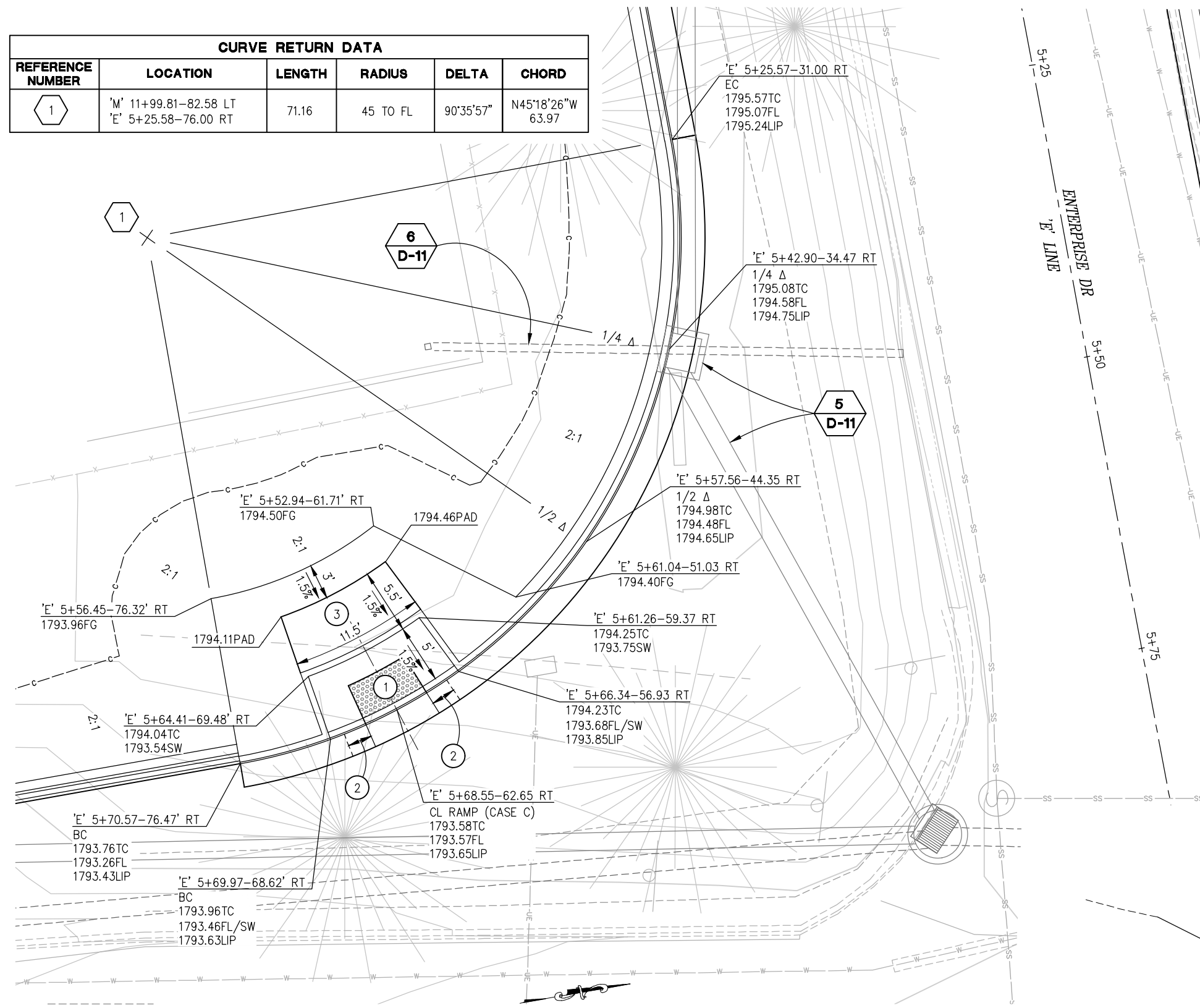
**COUNTY OF EL DORADO
 DEPARTMENT OF TRANSPORTATION**

**ENTERPRISE DR AND INDUSTRIAL DR
 INTERSECTION IMPROVEMENTS**

SHEET
L-6
 11 OF 66
 CONTRACT NO.
6286

ORIGINAL SCALE IS IN INCHES
 Drawing name: Z:\Civil_3D\Projects\73366 Enterprise-Industrial\CADD Files\Sheets\C-Sheets.dwg Layout Tab: C-1 Apr 10, 2023 1:45pm smcvey
 FOR REDUCED PLANS

CURVE RETURN DATA					
REFERENCE NUMBER	LOCATION	LENGTH	RADIUS	DELTA	CHORD
1	'M' 11+99.81-82.58 LT 'E' 5+25.58-76.00 RT	71.16	45 TO FL	90°35'57"	N45°18'26"W 63.97



SOUTHWEST RETURN (ENTERPRISE DR)

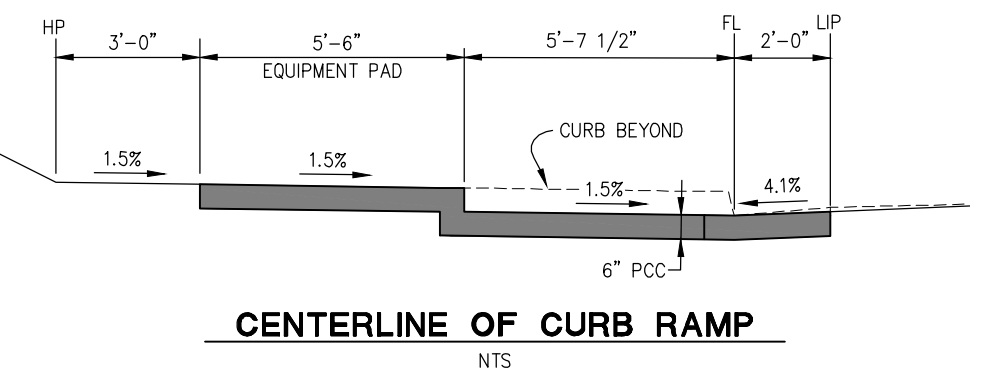
SCALE: 1"=5'

GENERAL NOTES:

1. REFER TO CALTRANS STD PLAN A88A FOR CURB RAMP DETAILS NOT SHOWN

CONSTRUCTION NOTES:

- ① — DETECTABLE WARNING SURFACE
- ② — 2' GUTTER CROSS SLOPE TRANSITION, 4.1% AT EDGE OF RAMP TO STANDARD TYPE 2 CURB SLOPE AT TRANSITION END. (LOWER LIP OF GUTTER TO ACHIEVE DESIRED CROSS SLOPE)
- ③ — SIGNAL EQUIPMENT PAD, SEE 'E' SHEETS



CENTERLINE OF CURB RAMP

NTS

**CONSTRUCTION DETAILS
SCALE : AS SHOWN**

REVISION	NUMBER	DATE	DESCRIPTION	BY



PREPARED UNDER THE SUPERVISION OF:
 [Signature]
 REGISTERED CIVIL ENGINEER
 DATE: 4/18/23

DESIGNED: DWH
 DRAWN: SGM
 CHECKED: DWH
 DATE: 03/29/23
 ROAD NUMBER: 009

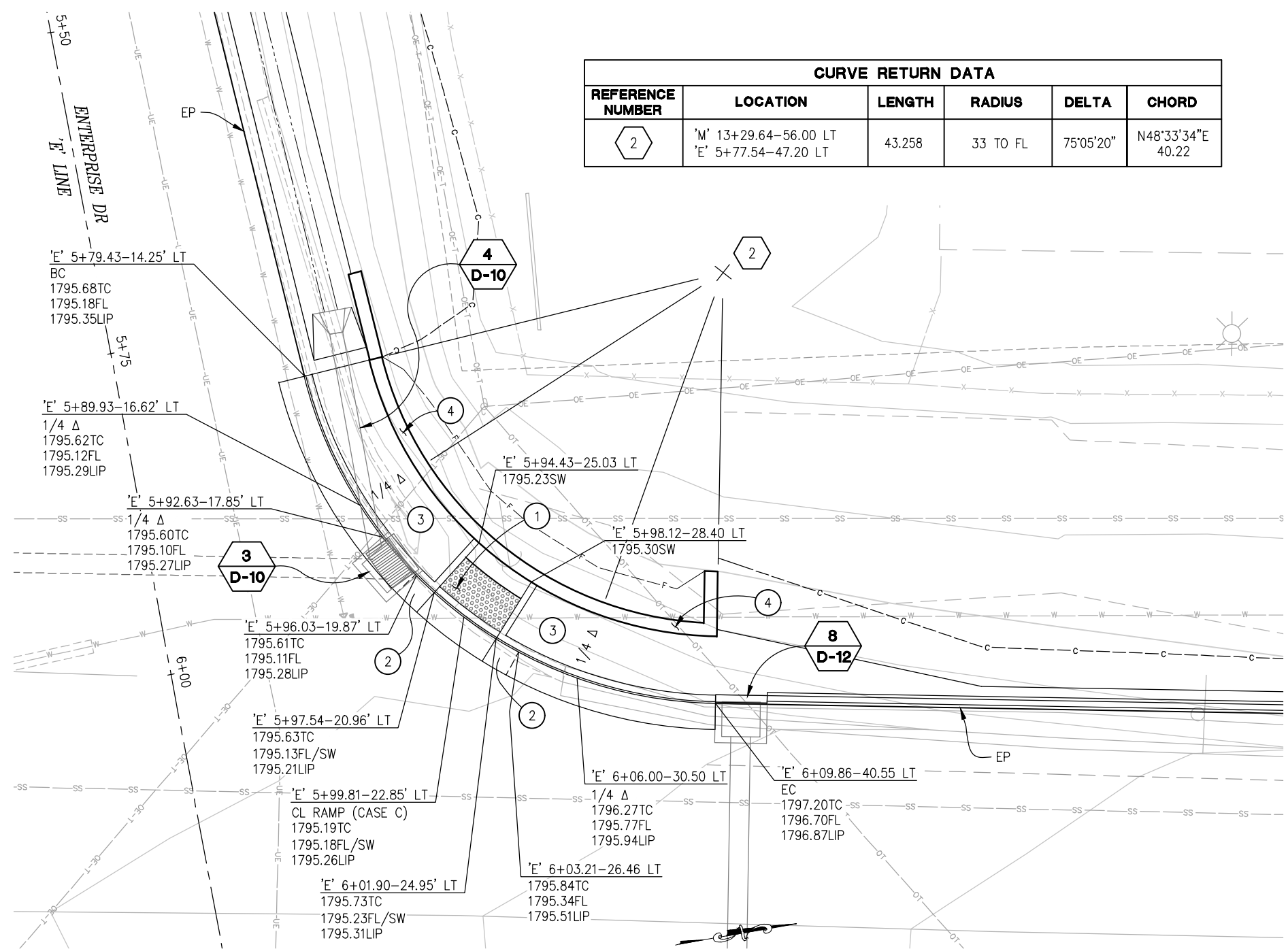


**COUNTY OF EL DORADO
DEPARTMENT OF TRANSPORTATION**

**ENTERPRISE DR AND INDUSTRIAL DR
INTERSECTION IMPROVEMENTS**

SHEET
C-1
 12 OF 66
 CONTRACT NO.
6286

ORIGINAL SCALE IS IN INCHES
 Drawing name: Z:\Civil_3D\Projects\73565 Enterprise-Industrial\CADD_Files\Sheets\C-Sheets.dwg Layout Tab: C-2 Apr 10, 2023 1:50pm sncvwy
 FOR REDUCED PLANS

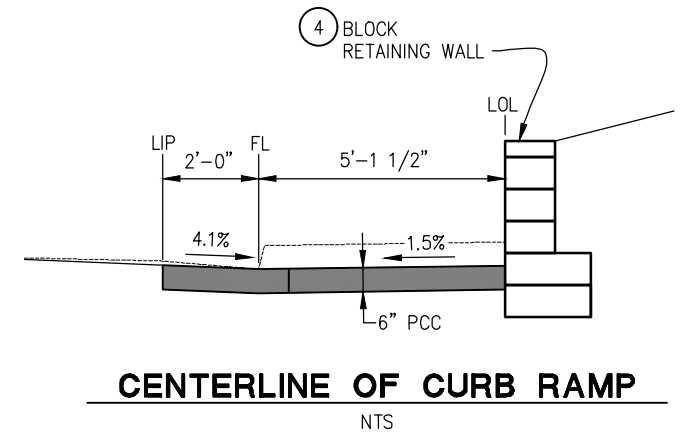


GENERAL NOTES:

1. REFER TO CALTRANS STD PLAN A88A FOR CURB RAMP DETAILS NOT SHOWN

CONSTRUCTION NOTES:

- 1 — DETECTABLE WARNING SURFACE
- 2 — 2' GUTTER CROSS SLOPE TRANSITION, 4.1% AT EDGE OF RAMP TO STANDARD TYPE 2 CURB SLOPE AT TRANSITION END. (LOWER LIP OF GUTTER TO ACHIEVE DESIRED CROSS SLOPE)
- 3 — BACKFILL WITH NATIVE MATERIAL, 95% RELATIVE COMPACTION
- 4 — BLOCK RETAINING WALL, SEE SHT RW-1



NORTHWEST RETURN (ENTERPRISE DR)
 SCALE: 1"=5'

CONSTRUCTION DETAILS
 SCALE : AS SHOWN

REVISION	NUMBER	DATE	DESCRIPTION	BY



PREPARED UNDER THE SUPERVISION OF :

 REGISTERED CIVIL ENGINEER
 DATE: 4/18/23

DESIGNED: DWH
 DRAWN: SGM
 CHECKED: DWH
 DATE: 03/29/23
 ROAD NUMBER: 009

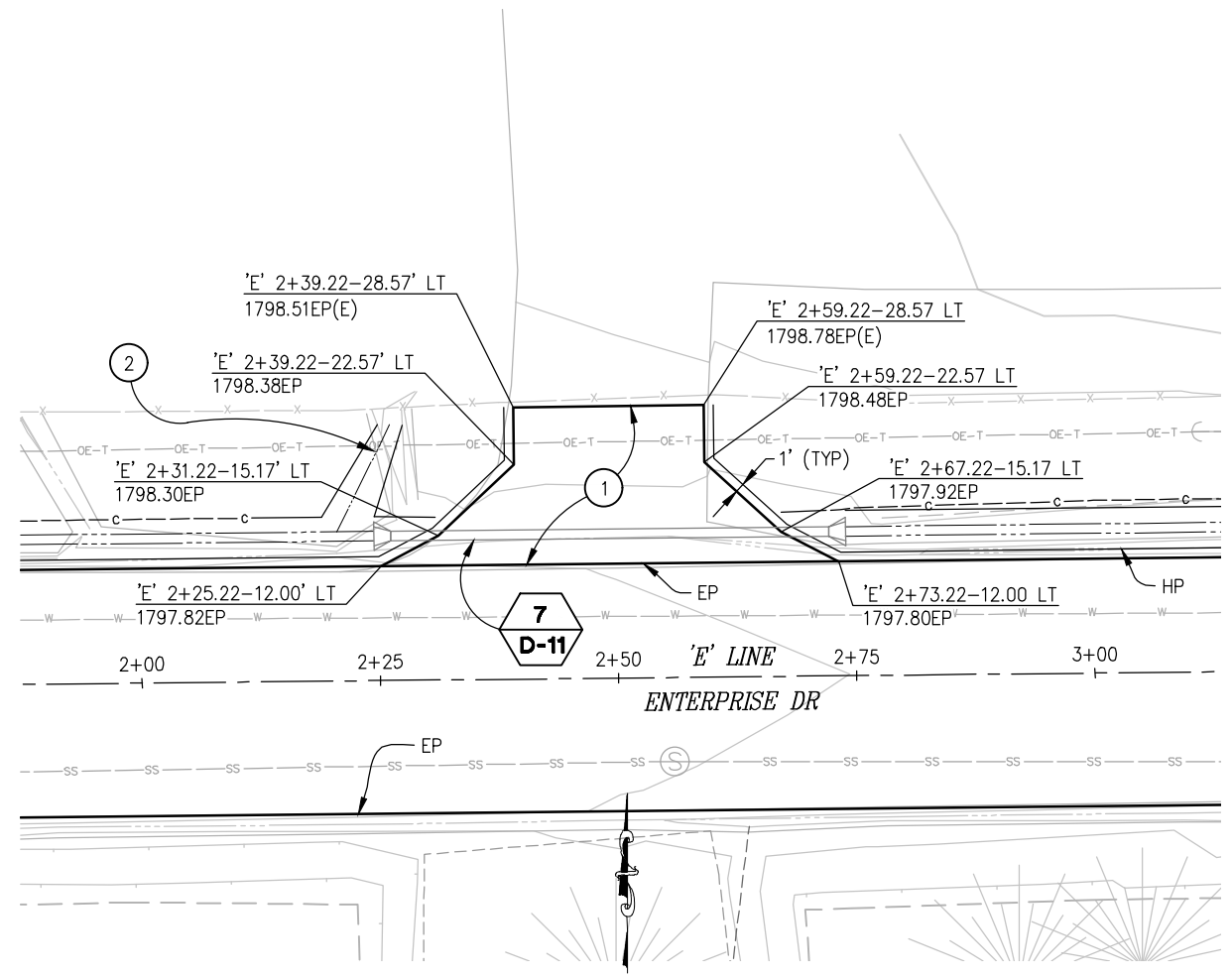


COUNTY OF EL DORADO
DEPARTMENT OF TRANSPORTATION

ENTERPRISE DR AND INDUSTRIAL DR
INTERSECTION IMPROVEMENTS

SHEET
C-2
 13 OF 66
 CONTRACT NO.
6286

ORIGINAL SCALE IS IN INCHES
 Drawing name: Z:\Civil 3D Projects\73365 73366 Enterprise-Industrial\CADD Files\Sheets\C-Sheets.dwg Layout Tab: C-3 Apr 10, 2023 1:51pm srtvcy
 FOR REDUCED PLANS
 2
 1
 0



DRIVEWAY AT 'E' 2+48.00 LT
 SCALE: 1"=10'

CONSTRUCTION NOTES:

- ① — 3" HMA (TYPE A) OVER 4" AB (CLASS 2)
- ② — GRADE AREA TO DRAIN

CONSTRUCTION DETAILS
 SCALE : AS SHOWN

REVISION	NUMBER	DATE	DESCRIPTION	BY



PREPARED UNDER THE SUPERVISION OF :

 REGISTERED CIVIL ENGINEER
 DATE: 4/18/23

DESIGNED: DWH
 CHECKED: DWH
 ROAD NUMBER: 009
 DRAWN: SGM
 DATE: 03/29/23



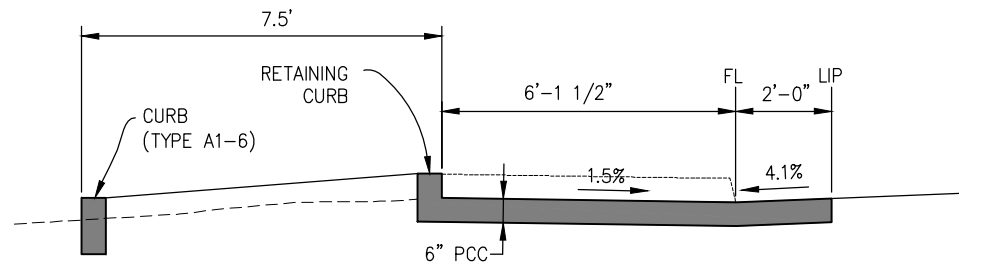
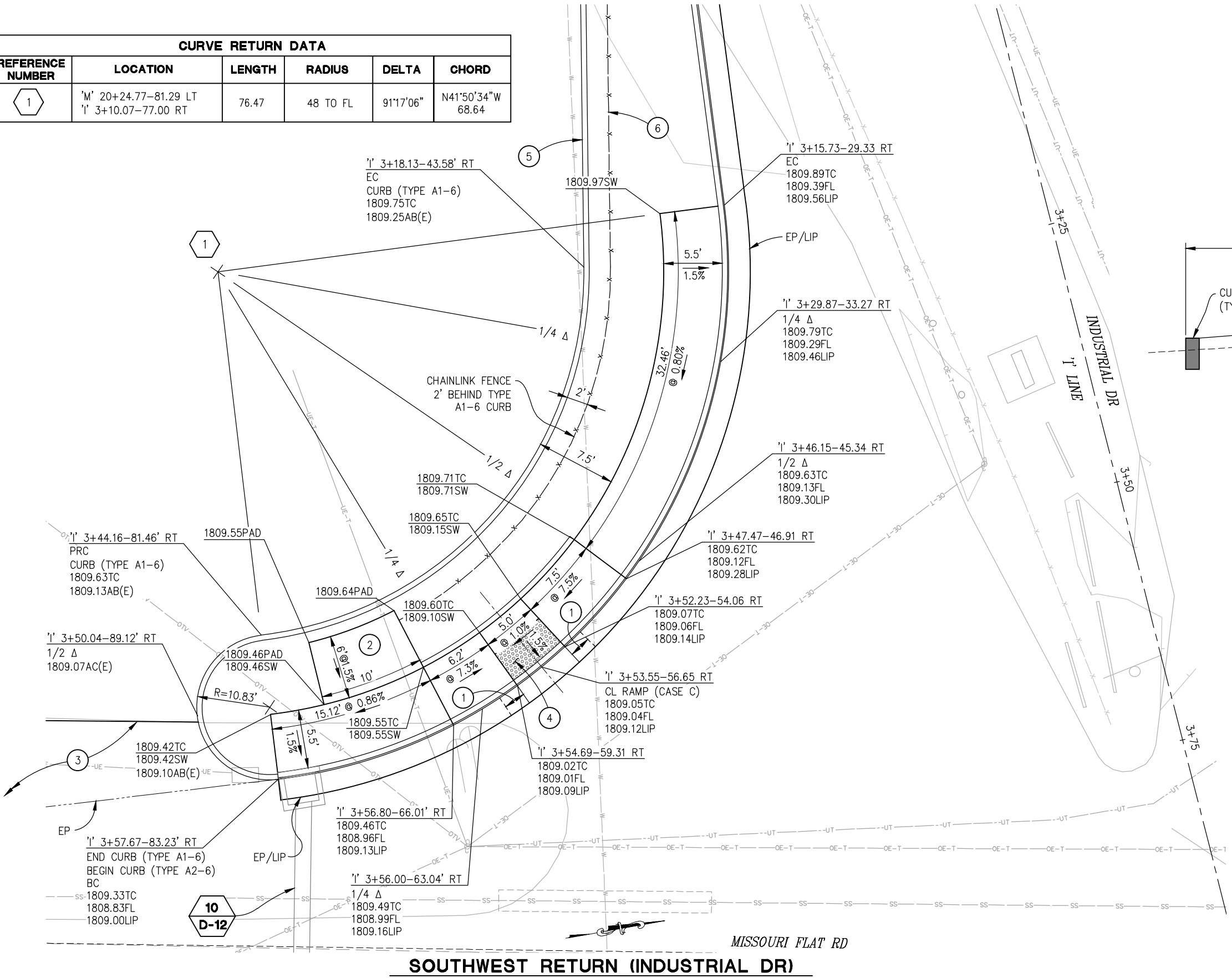
COUNTY OF EL DORADO
DEPARTMENT OF TRANSPORTATION

ENTERPRISE DR AND INDUSTRIAL DR
INTERSECTION IMPROVEMENTS

SHEET
C-3
 14 OF 66
 CONTRACT NO.
6286

ORIGINAL SCALE IS IN INCHES
 Drawing name: Z:\Civil_3D\Projects\73365\73366 Enterprise-Industrial\CADD Files\Sheets\C-Sheets.dwg Layout Tab: C-4 Apr 14, 2023 - 9:57am smcvey
 FOR REDUCED PLANS

CURVE RETURN DATA					
REFERENCE NUMBER	LOCATION	LENGTH	RADIUS	DELTA	CHORD
1	M' 20+24.77-81.29 LT I' 3+10.07-77.00 RT	76.47	48 TO FL	91°17'06"	N41°50'34"W 68.64



CENTERLINE OF CURB RAMP
NTS

GENERAL NOTES:

1. REFER TO CALTRANS STD PLAN A88A FOR CURB RAMP AND SIDEWALK DETAILS NOT SHOWN

CONSTRUCTION NOTES:

- ① — 2' GUTTER CROSS SLOPE TRANSITION, 4.1% AT EDGE OF RAMP TO STANDARD TYPE 2 CURB SLOPE AT TRANSITION END. (LOWER LIP OF GUTTER TO ACHIEVE DESIRED CROSS SLOPE)
- ② — SIGNAL EQUIPMENT PAD
- ③ — DWY, SEE SHT C-10
- ④ — DETECTABLE WARNING SURFACE
- ⑤ — CURB (TYPE A1-6), SEE SHT L-4 FOR CONTINUATION
- ⑥ — FENCE (TYPE CL), SEE SHT L-4 FOR CONTINUATION



PREPARED UNDER THE SUPERVISION OF:

 REGISTERED CIVIL ENGINEER
 DATE: 4/18/23

DESIGNED: DWH
 DRAWN: SGM
 CHECKED: DWH
 DATE: 03/29/23
 ROAD NUMBER: 009



**COUNTY OF EL DORADO
 DEPARTMENT OF TRANSPORTATION**

**ENTERPRISE DR AND INDUSTRIAL DR
 INTERSECTION IMPROVEMENTS**

**CONSTRUCTION DETAILS
 SCALE : AS SHOWN**

REVISION	NUMBER	DATE	DESCRIPTION	BY

SHEET
C-4
 15 OF 66
 CONTRACT NO.
6286

ORIGINAL SCALE IS IN INCHES
 Drawing name: Z:\Civil_3D\Projects\73365\Enterprise-Industrial\CADD\Files\Sheets\C-Sheets.dwg Layout Tab: C-5 Apr 10, 2023 1:59pm smcvey
 FOR REDUCED PLANS
 2
 1
 0

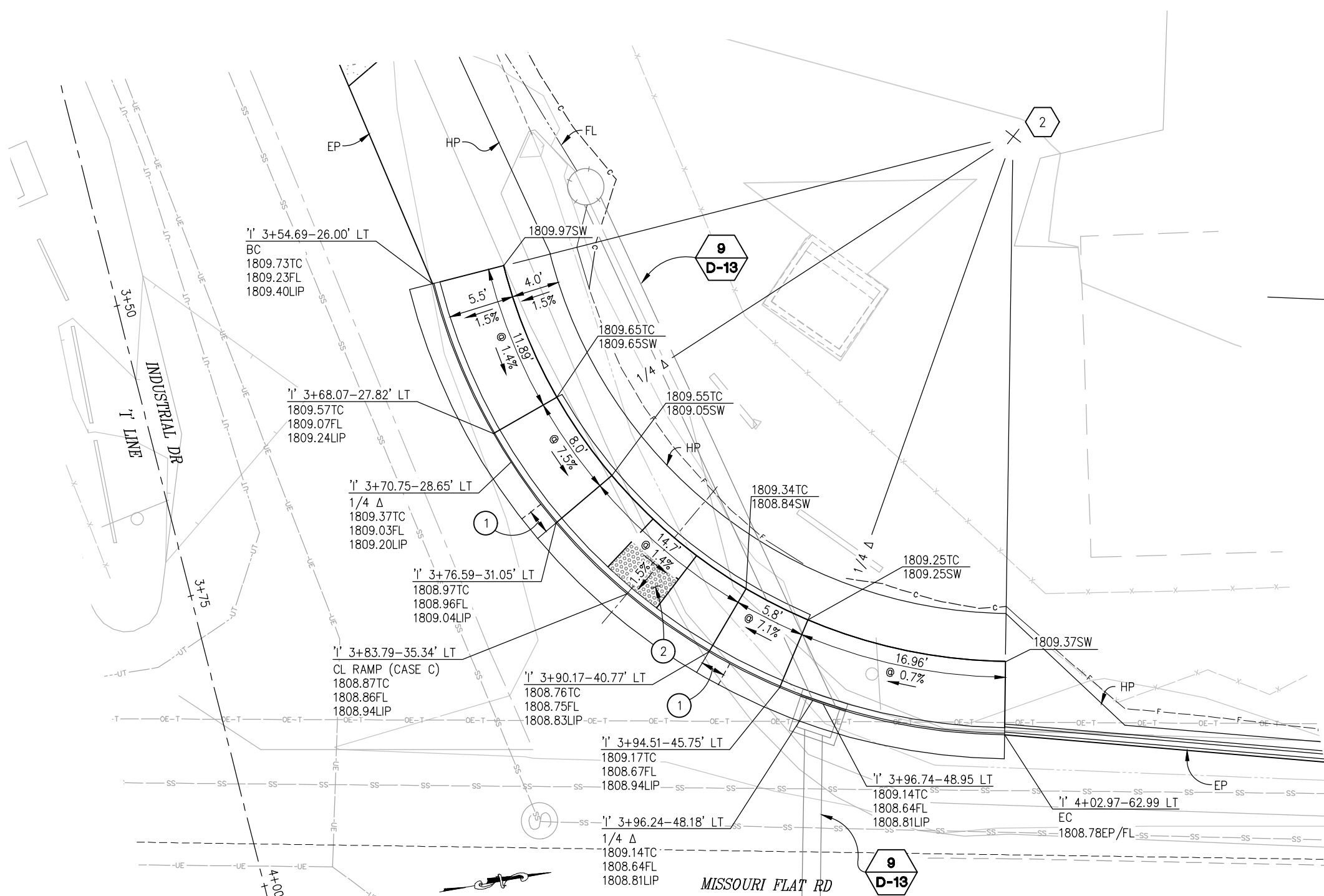
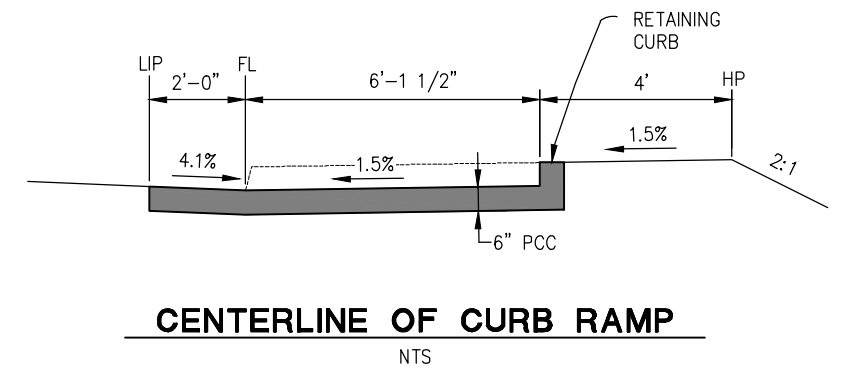
CURVE RETURN DATA					
REFERENCE NUMBER	LOCATION	LENGTH	RADIUS	DELTA	CHORD
2	'M' 21+84.11-78.00 LT 'I' 3+54.69-76.00 LT	65.38	50 TO FL	74°55'18"	N48°17'17"E 60.82

GENERAL NOTES:

1. REFER TO CALTRANS STD PLAN A88A FOR CURB RAMP AND SIDEWALK DETAILS NOT SHOWN

CONSTRUCTION NOTES:

- ① — 2' GUTTER CROSS SLOPE TRANSITION, 4.1% AT EDGE OF RAMP TO STANDARD TYPE 2 CURB SLOPE AT TRANSITION END. (LOWER LIP OF GUTTER TO ACHIEVE DESIRED CROSS SLOPE)
- ② — DETECTABLE WARNING SURFACE



NORTHWEST RETURN (INDUSTRIAL DR)
SCALE: 1"=5'

CONSTRUCTION DETAILS
SCALE : AS SHOWN



PREPARED UNDER THE SUPERVISION OF:

 REGISTERED CIVIL ENGINEER
 DATE: 4/18/23

DESIGNED: DWH
 DRAWN: SGM
 CHECKED: DWH
 DATE: 03/29/23
 ROAD NUMBER: 009



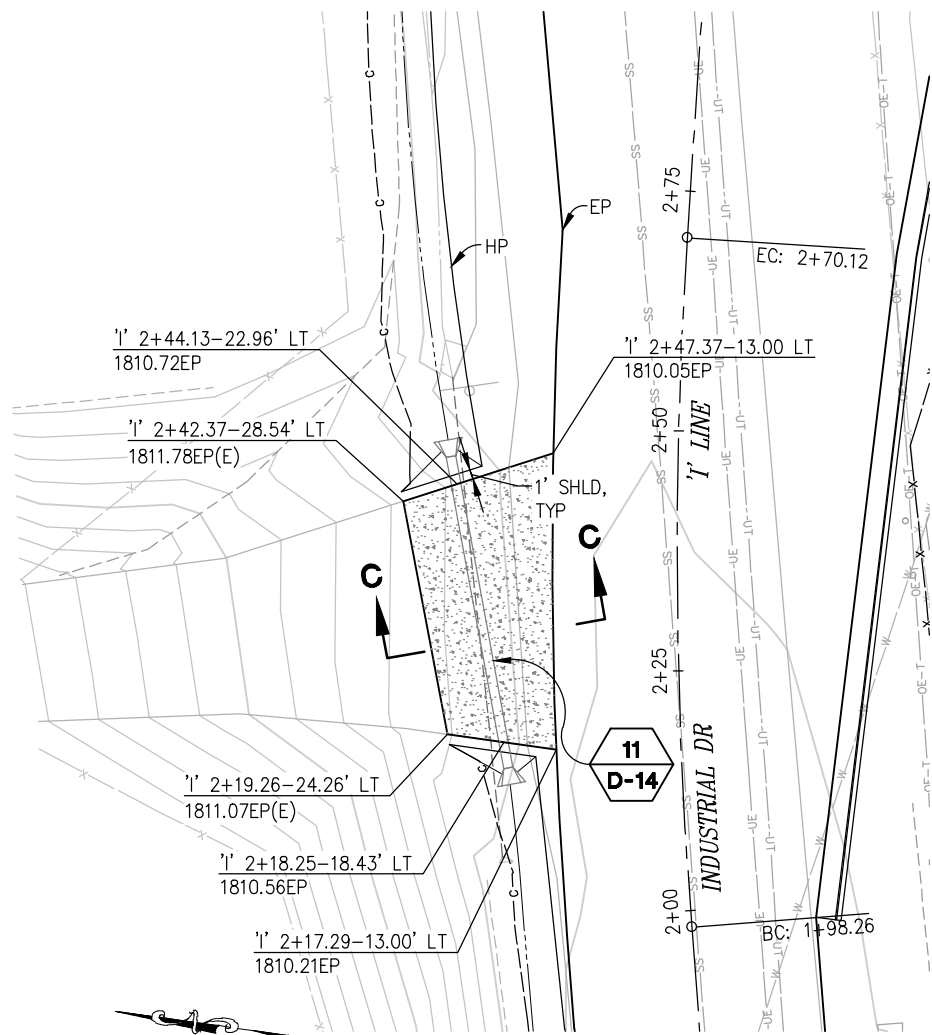
COUNTY OF EL DORADO
DEPARTMENT OF TRANSPORTATION

ENTERPRISE DR AND INDUSTRIAL DR
INTERSECTION IMPROVEMENTS

SHEET
C-5
 16 OF 66
 CONTRACT NO.
6286

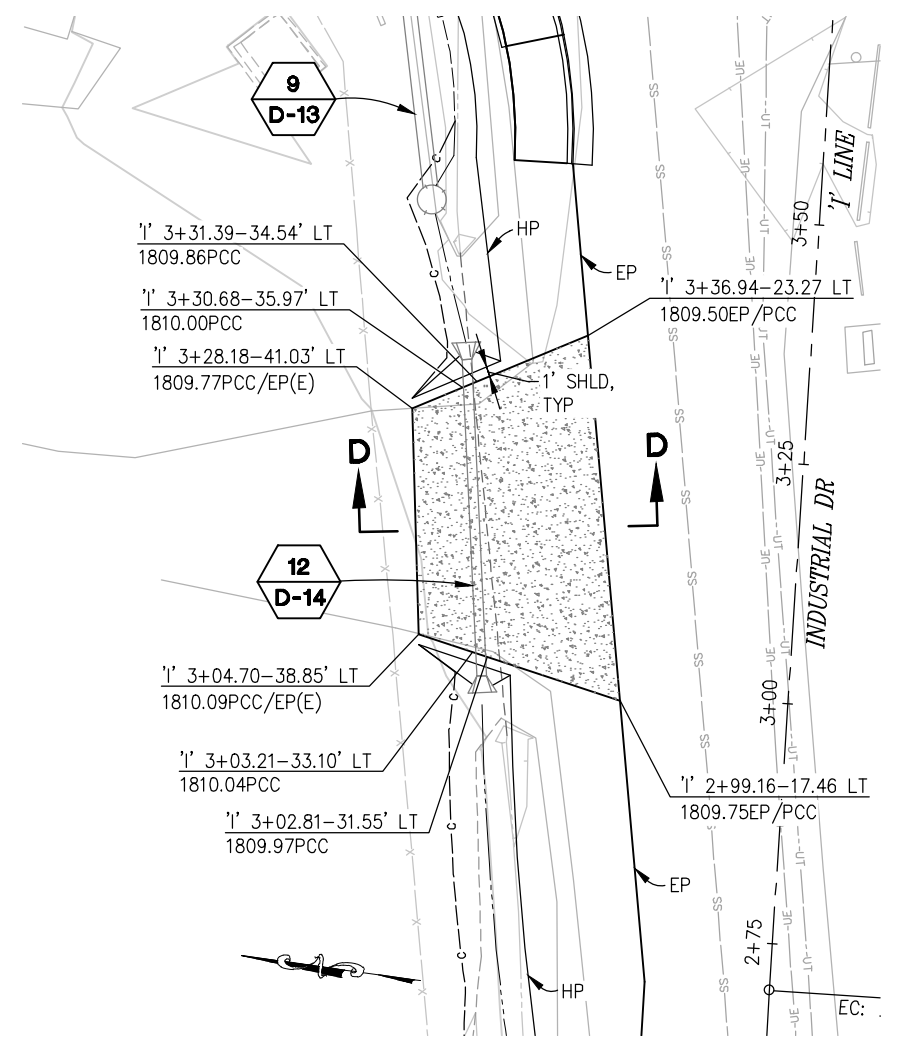
REVISION	NUMBER	DATE	DESCRIPTION	BY

ORIGINAL SCALE IS IN INCHES
 Drawing name: Z:\Civil_3D\Projects\73365\73366 Enterprise-Industrial\CADD\Files\Sheets\C-Sheets.dwg Layout Tab: C-6 Apr 10, 2023 1:59pm smcvey
 FOR REDUCED PLANS
 2
 1
 0



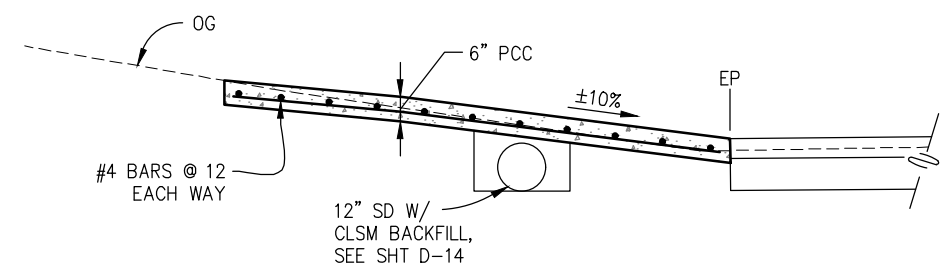
DWY AT 'I' 2+33 LT

SCALE: 1"=10'



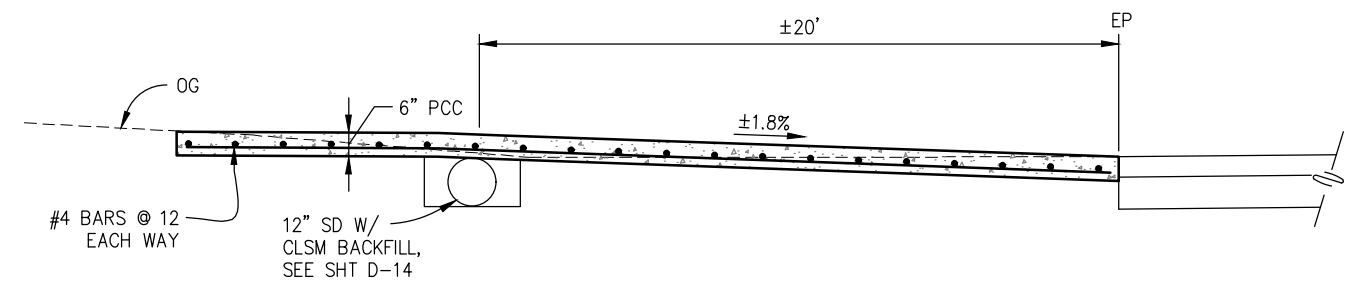
DWY AT 'I' 3+18 LT

SCALE: 1"=10'



SECTION C-C

NTS



SECTION D-D

NTS

CONSTRUCTION DETAILS
SCALE : AS SHOWN



PREPARED UNDER THE SUPERVISION OF:
Dustin W. Harrington
 REGISTERED CIVIL ENGINEER
 DATE: 4/18/23

DESIGNED: DWH
 DRAWN: SGM
 CHECKED: DWH
 DATE: 03/29/23
 ROAD NUMBER: 009



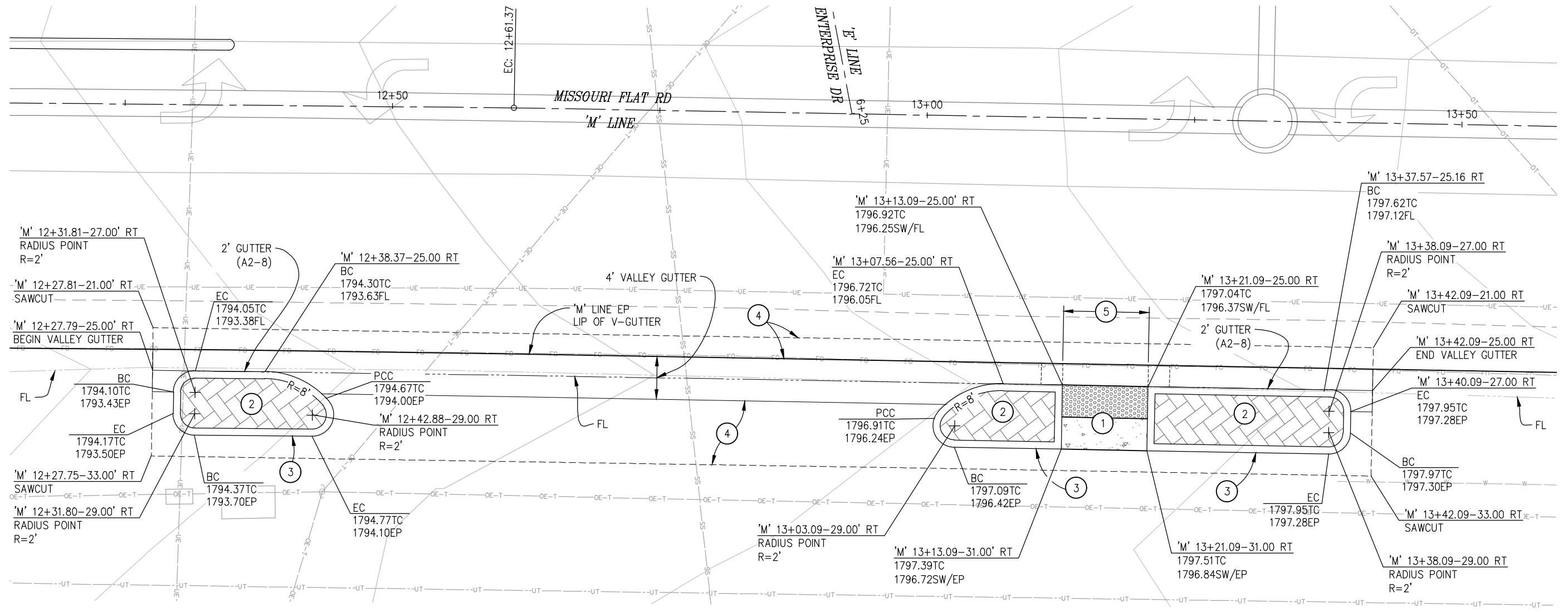
COUNTY OF EL DORADO
DEPARTMENT OF TRANSPORTATION

ENTERPRISE DR AND INDUSTRIAL DR
INTERSECTION IMPROVEMENTS

SHEET
C-6
17 OF 66
CONTRACT NO.
6286

REVISION	NUMBER	DATE	DESCRIPTION	BY

ORIGINAL SCALE IS IN INCHES
 Drawing name: Z:\Civil 3D Projects\73365 73366 Enterprise-Industrial\CADD Files\Sheets\C-Sheets.dwg Layout Tab: C-7 Apr 10, 2023 1:53pm smcvey
 FOR REDUCED PLANS



IDLE WHEELS RV CENTER ENTRANCE

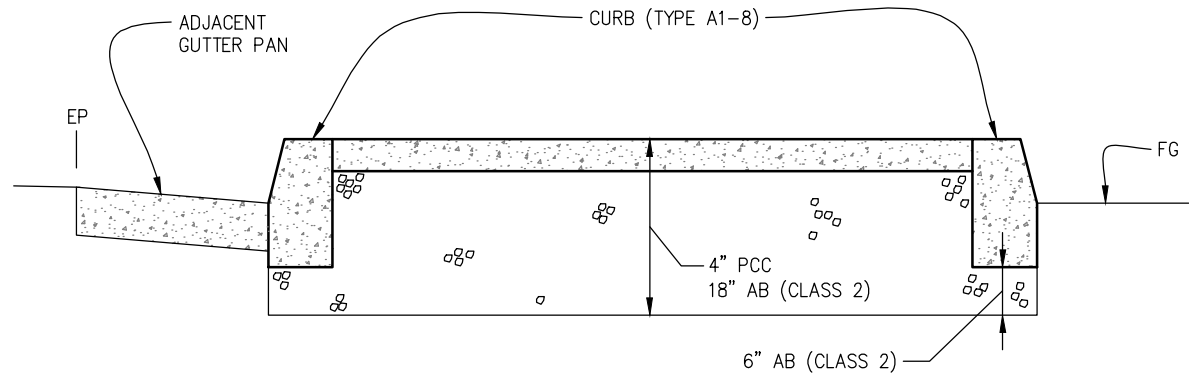
SCALE: 1"=5'

GENERAL NOTES:

- REFER TO CALTRANS STD PLAN A88A FOR CURB RAMP AND SIDEWALK DETAILS NOT SHOWN

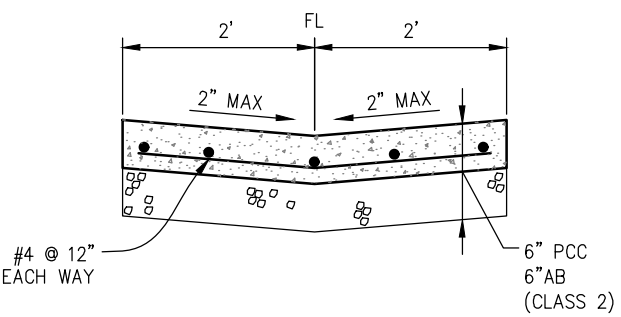
CONSTRUCTION NOTES:

- 4" PCC AND DETECTABLE WARNING SURFACE
- 4" PCC, STAMPED HERRING BONE PATTERN, RED STAIN (FED STD 21105)
- CURB (TYPE A1-8)
- 3" HMA (TYPE A)
4" AB (CLASS 2)
- GUTTER PAN SLOPE SHALL NOT EXCEED 1" OF DEPTH FOR EACH 2' OF WIDTH THROUGH PEDESTRIAN LANDING (DEPRESS GUTTER PAN AT EDGE OF PAVEMENT TO ACHIEVE CROSS SLOPE OF 4.1%)



CURBED ISLAND DETAIL

NTS



VALLEY GUTTER

NTS

CONSTRUCTION DETAILS SCALE : AS SHOWN

REVISION	NUMBER	DATE	DESCRIPTION	BY



PREPARED UNDER THE SUPERVISION OF :
 [Signature]
 REGISTERED CIVIL ENGINEER
 4/18/23

DESIGNED: DWH
 DRAWN: SGM
 CHECKED: DWH
 DATE: 03/29/23
 ROAD NUMBER: 009

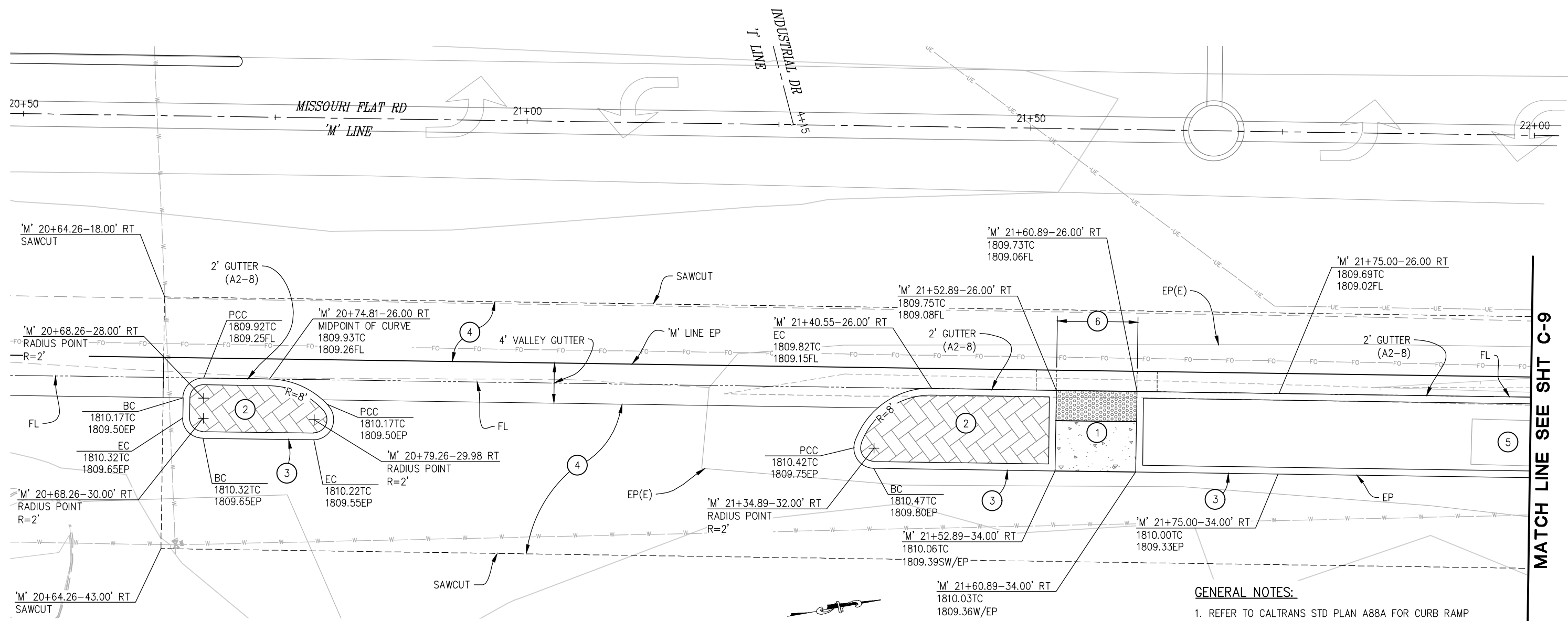


COUNTY OF EL DORADO
DEPARTMENT OF TRANSPORTATION

ENTERPRISE DR AND INDUSTRIAL DR
INTERSECTION IMPROVEMENTS

SHEET
C-7
 18 OF 66
 CONTRACT NO.
6286

ORIGINAL SCALE IS IN INCHES
 Drawing name: Z:\Civil_3D\Projects\73365\73365 Enterprise-Industrial\CADD\Files\Sheets\C-Sheets.dwg Layout Tab: C-8 Apr 10, 2023 1:53pm smcvey
 FOR REDUCED PLANS
 2
 1
 0



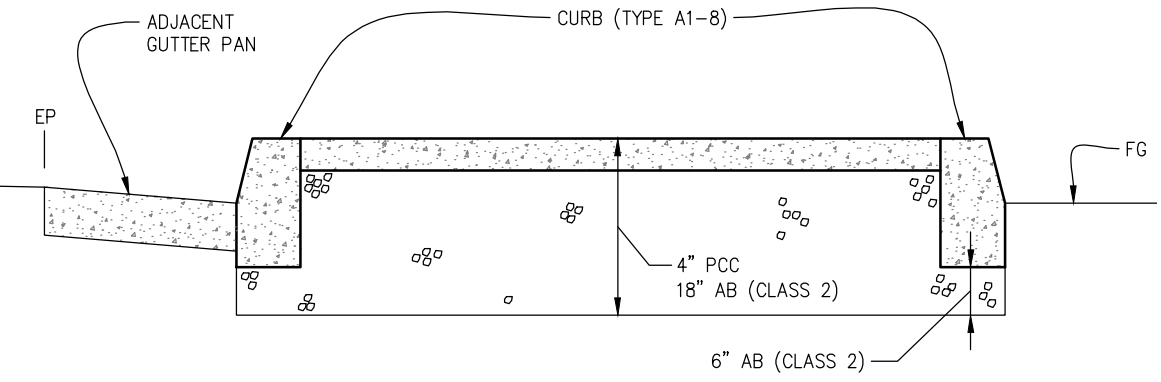
MATCH LINE SEE SHT C-9

TRUE VALUE HARDWARE ENTRANCE

SCALE: 1"=5'

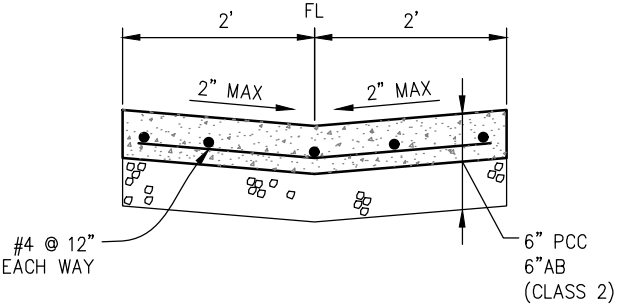
- GENERAL NOTES:**
- REFER TO CALTRANS STD PLAN A88A FOR CURB RAMP AND SIDEWALK DETAILS NOT SHOWN

- CONSTRUCTION NOTES:**
- 4" PCC AND DETECTABLE WARNING SURFACE
 - 4" PCC, STAMPED HERRING BONE PATTERN, RED STAIN (FED STD 21105)
 - CURB (TYPE A1-8)
 - 3" HMA (TYPE A)
4" AB (CLASS 2)
 - EXISTING ELECTRICAL BOXES, PROTECT IN PLACE
 - GUTTER PAN SLOPE SHALL NOT EXCEED 1" OF DEPTH FOR EACH 2' OF WIDTH THROUGH PEDESTRIAN LANDING (DEPRESS GUTTER PAN AT EDGE OF PAVEMENT TO ACHIEVE CROSS SLOPE OF 4.1%)



CURBED ISLAND DETAIL

NTS



VALLEY GUTTER

NTS

CONSTRUCTION DETAILS
SCALE : AS SHOWN

REVISION	NUMBER	DATE	DESCRIPTION	BY



PREPARED UNDER THE SUPERVISION OF :

 REGISTERED CIVIL ENGINEER
 DATE: 4/18/23

DESIGNED: DWH
 DRAWN: SGM
 CHECKED: DWH
 DATE: 03/29/23
 ROAD NUMBER: 009



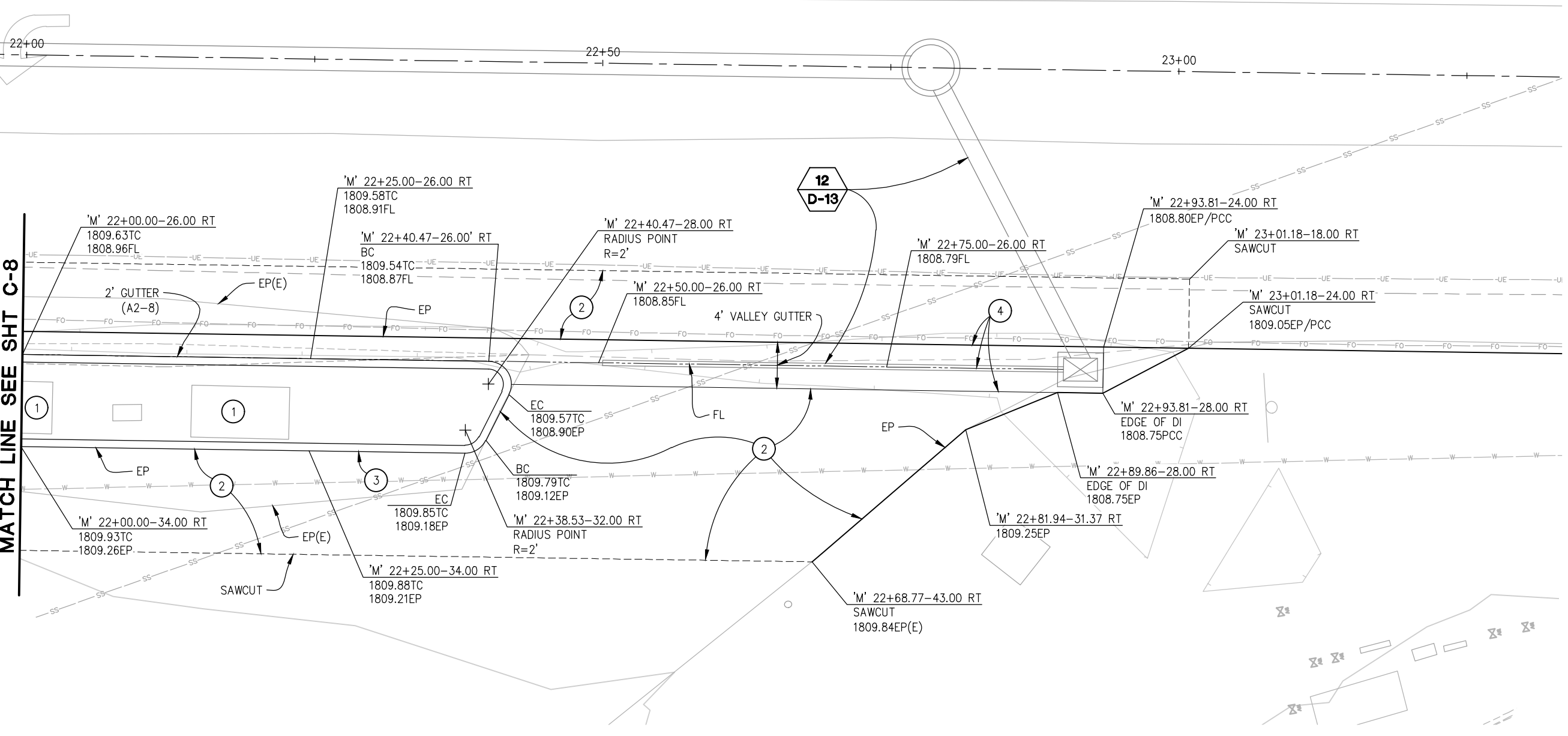
COUNTY OF EL DORADO
DEPARTMENT OF TRANSPORTATION

ENTERPRISE DR AND INDUSTRIAL DR
INTERSECTION IMPROVEMENTS

SHEET
C-8
19 OF 66
CONTRACT NO.
6286

ORIGINAL SCALE IS IN INCHES
 Drawing name: Z:\Civil_3D\Projects\73365_73366 Enterprise-Industrial\CADD_Files\Sheets\C-Sheets.dwg Layout Tab: C-9 Apr 10, 2023 1:54pm smcvey
 FOR REDUCED PLANS
 2
 1
 0

MATCH LINE SEE SHT C-8



TRUE VALUE HARDWARE EXIT

SCALE: 1"=5'

CONSTRUCTION NOTES:

- ① — EXISTING ELECTRICAL BOXES, PROTECT IN PLACE
- ② — 3" HMA (TYPE A)
4" AB (CLASS 2)
- ③ — CURB (TYPE A1-8)
- ④ — PCC VALLEY GUTTER AND SLOTTED DRAIN, SEE SHT D-13

**CONSTRUCTION DETAILS
SCALE : AS SHOWN**



PREPARED UNDER THE SUPERVISION OF:
[Signature]
 REGISTERED CIVIL ENGINEER
 DATE: 4/18/23

DESIGNED: DWH	DRAWN: SGM
CHECKED: DWH	DATE: 03/29/23
ROAD NUMBER: 009	



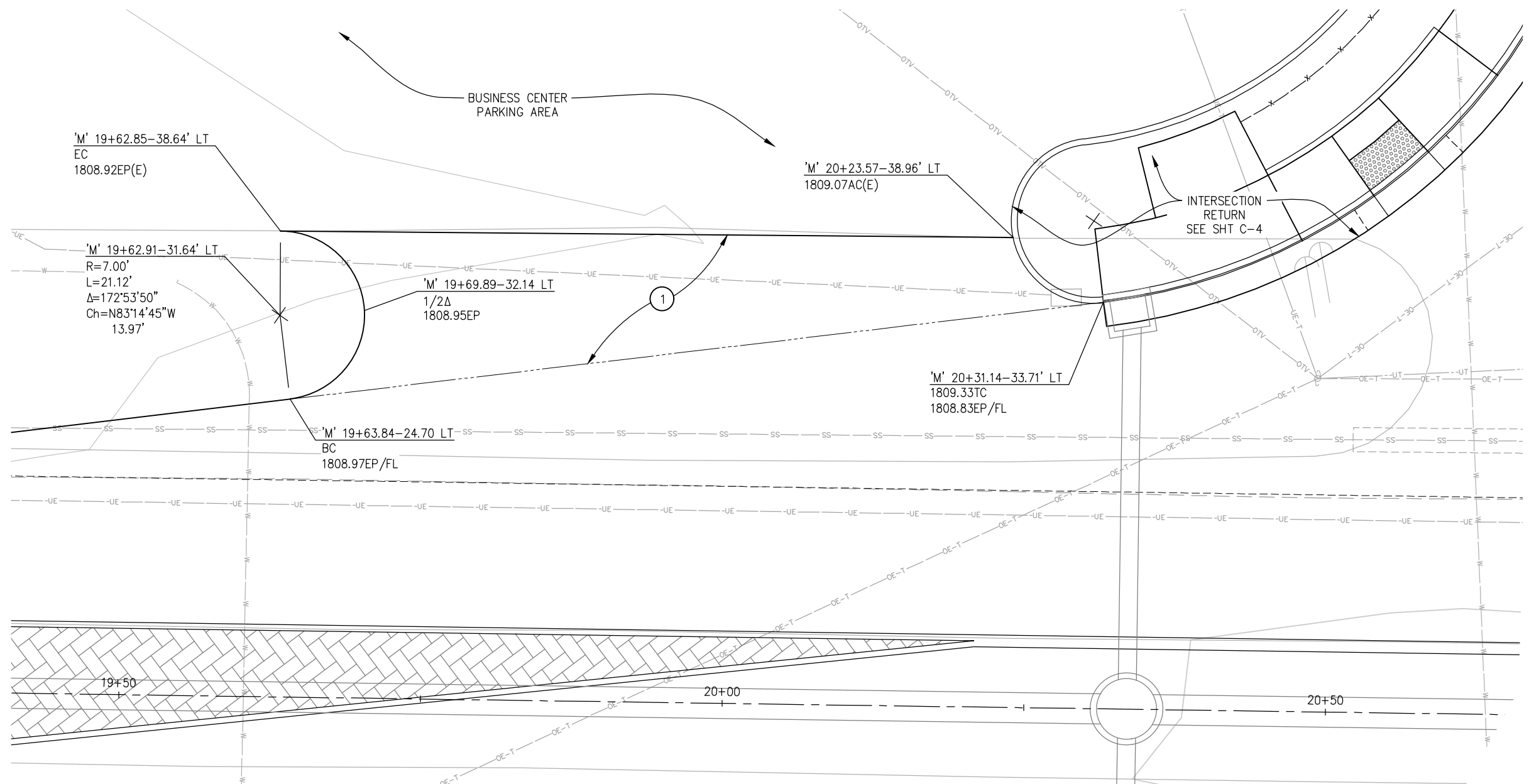
**COUNTY OF EL DORADO
DEPARTMENT OF TRANSPORTATION**

**ENTERPRISE DR AND INDUSTRIAL DR
INTERSECTION IMPROVEMENTS**

SHEET
C-9
20 OF 66
CONTRACT NO.
6286

REVISION	NUMBER	DATE	DESCRIPTION	BY

ORIGINAL SCALE IS IN INCHES
 Drawing name: Z:\Civil 3D Projects\73365 73366 Enterprise-Industrial\CADD Files\Sheets\C-Sheets.dwg Layout Tab: C-10 Apr 14, 2023 - 9:56am smevey
 FOR REDUCED PLANS
 2
 1
 0



BUSINESS CENTER DRIVEWAY
 SCALE: 1"=5'

CONSTRUCTION NOTES:
 ① — 3" HMA (TYPE A)
 4" AB (CLASS 2)

CONSTRUCTION DETAILS
SCALE : AS SHOWN

REVISION	NUMBER	DATE	DESCRIPTION	BY



PREPARED UNDER THE SUPERVISION OF :

 REGISTERED CIVIL ENGINEER
 DATE: 4/18/23

DESIGNED: DWH
 CHECKED: DWH
 ROAD NUMBER: 009
 DRAWN: SGM
 DATE: 03/29/23

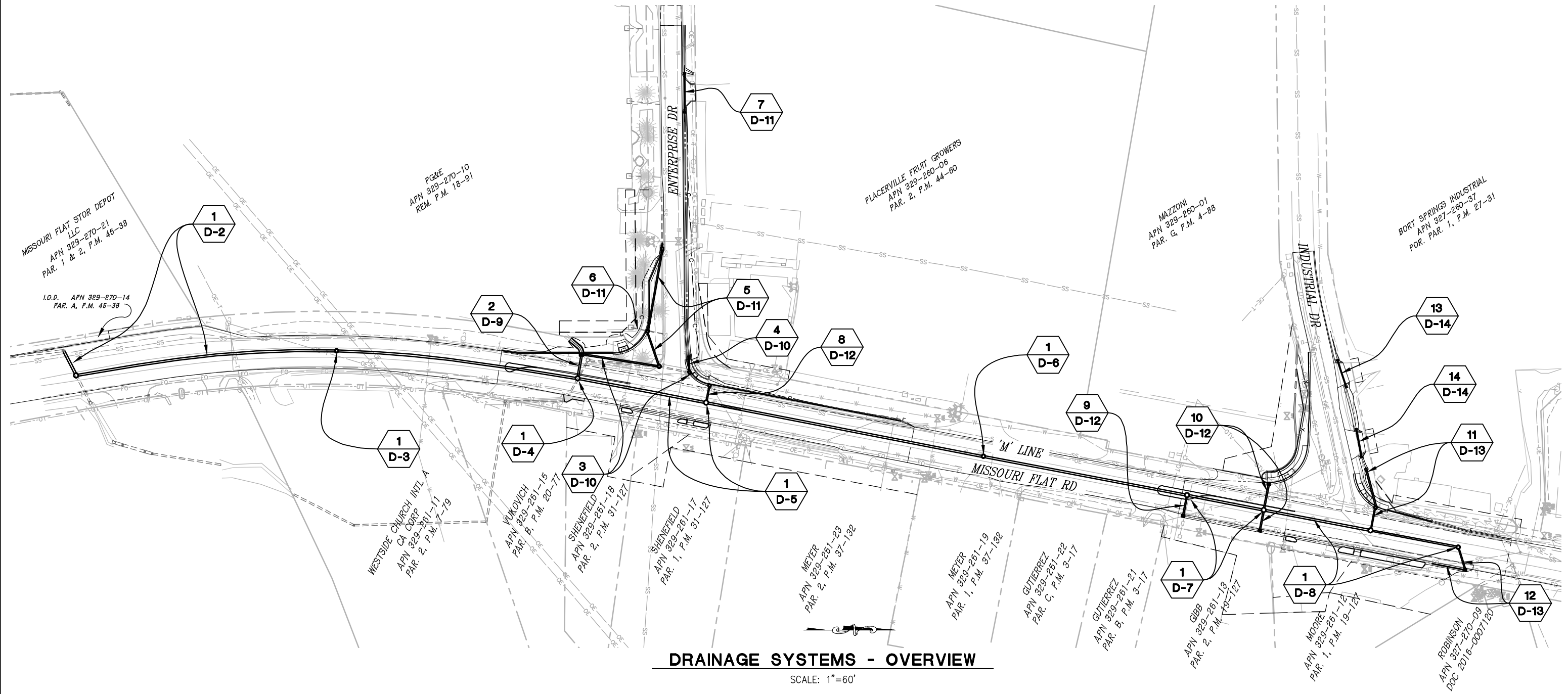


COUNTY OF EL DORADO
DEPARTMENT OF TRANSPORTATION

ENTERPRISE DR AND INDUSTRIAL DR
INTERSECTION IMPROVEMENTS

SHEET
C-10
 21 OF 66
 CONTRACT NO.
6286

ORIGINAL SCALE IS IN INCHES
 Drawing name: Z:\Civil 3D Projects\73366 Enterprise-Industrial\CADD Files\Sheets\D-Sheets.dwg Layout Tab: D-1 Apr 18, 2023 8:39am sncvvey
 FOR REDUCED PLANS
 REVISION



DRAINAGE SYSTEMS - OVERVIEW

SCALE: 1"=60'

LEGEND

- STORM DRAINAGE SYSTEM NUMBER
- DETAIL SHEET NUMBER

THIS SHEET ACCURATE FOR DRAINAGE WORK ONLY

**DRAINAGE SYSTEMS
SCALE : AS SHOWN**



PREPARED UNDER THE SUPERVISION OF :

 REGISTERED CIVIL ENGINEER
 DATE: 4/18/23

DESIGNED: DWH
 DRAWN: SGM
 CHECKED: DWH
 DATE: 03/29/23
 ROAD NUMBER: 009



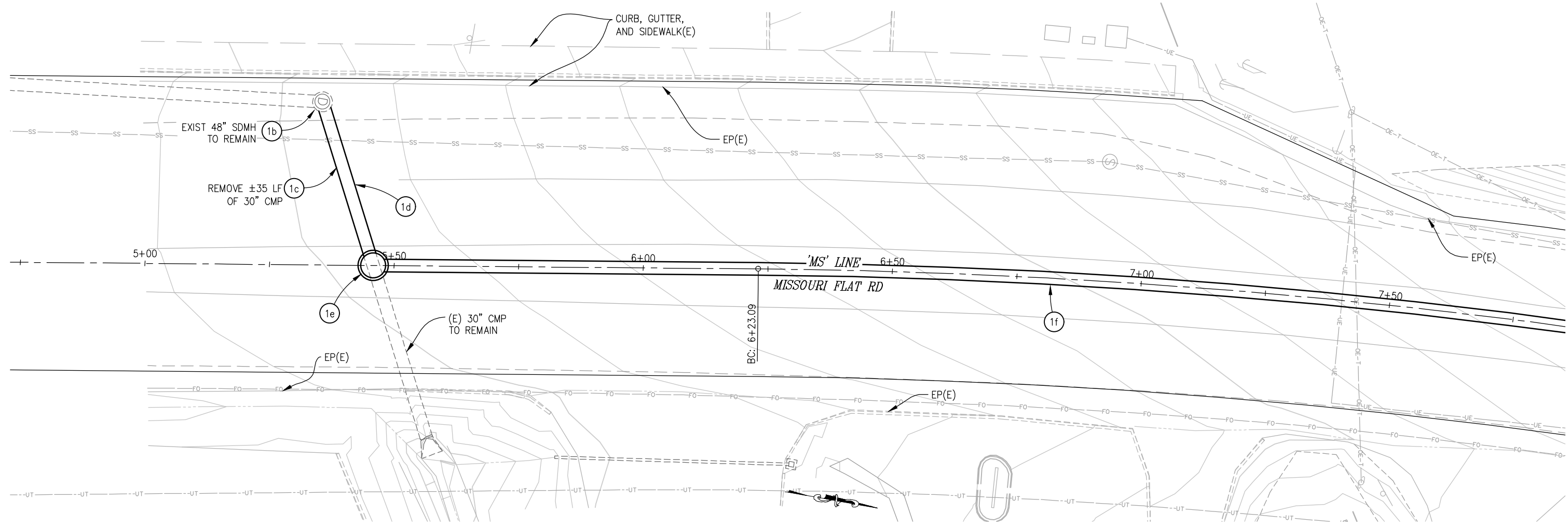
**COUNTY OF EL DORADO
DEPARTMENT OF TRANSPORTATION**

**ENTERPRISE DR AND INDUSTRIAL DR
INTERSECTION IMPROVEMENTS**

SHEET
D-1
 22 OF 66
 CONTRACT NO.
6286

REVISION	NUMBER	DATE	DESCRIPTION	BY

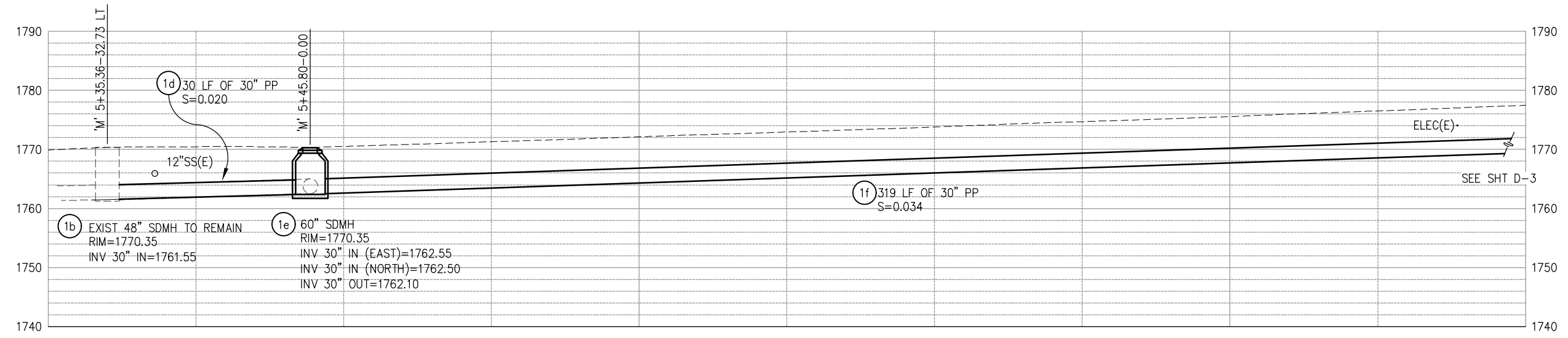
ORIGINAL SCALE IS IN INCHES
 Drawing name: Z:\Civil_3D\Projects\73365\73366 Enterprise-Industrial\CADD Files\Sheets\0-Sheets.dwg Layout Tab: D-2 Apr 10, 2023 1:55pm smcvey
 FOR REDUCED PLANS
 2
 1
 0



SYSTEM 'SD1' - PLAN

SCALE: 1"=10'

NOTE: (10) NOT USED



SYSTEM 'SD1' - PROFILE

SCALE: 1"=10' H,V

THIS SHEET ACCURATE FOR DRAINAGE WORK ONLY

DRAINAGE PLAN & PROFILE
SCALE : AS SHOWN

REVISION	NUMBER	DATE	DESCRIPTION	BY



PREPARED UNDER THE SUPERVISION OF:

 REGISTERED CIVIL ENGINEER
 DATE: 4/18/23

DESIGNED: DWH
 DRAWN: SGM
 CHECKED: DWH
 DATE: 03/29/23
 ROAD NUMBER: 009

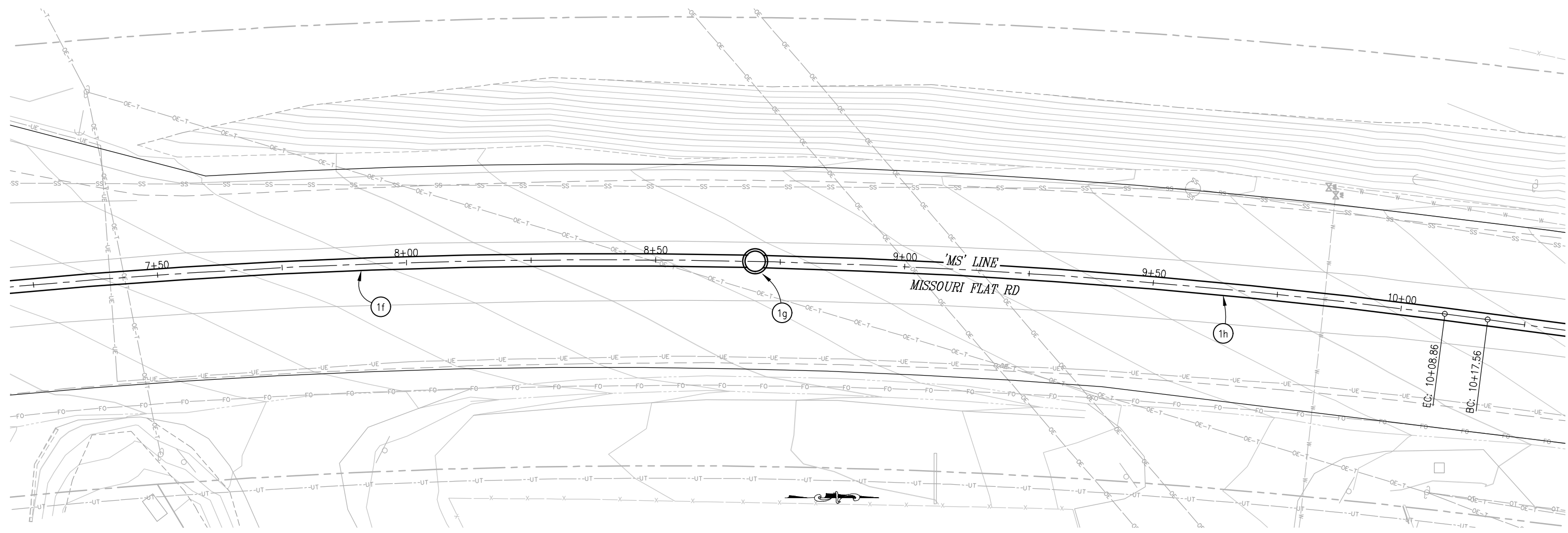


COUNTY OF EL DORADO
DEPARTMENT OF TRANSPORTATION

ENTERPRISE DR AND INDUSTRIAL DR
INTERSECTION IMPROVEMENTS

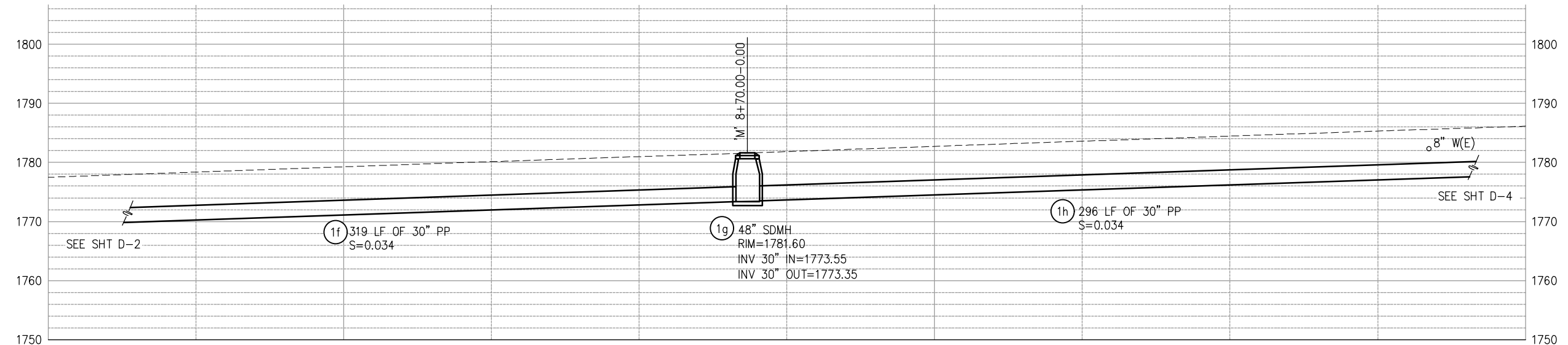
SHEET
D-2
 23 OF 66
 CONTRACT NO.
6286

ORIGINAL SCALE IS IN INCHES
 Drawing name: Z:\Civil_3D\Projects\73566 Enterprise-Industrial\CADD_Files\Sheets\0-Sheets.dwg Layout Tab: D-3 Apr 10, 2023 1:55pm sncvwy
 FOR REDUCED PLANS
 2
 1
 0



SYSTEM 'SD1' - PLAN

SCALE: 1"=10'



SYSTEM 'SD1' - PROFILE

SCALE: 1"=10' H,V

THIS SHEET ACCURATE FOR DRAINAGE WORK ONLY **DRAINAGE PLAN & PROFILE**
SCALE : AS SHOWN



PREPARED UNDER THE SUPERVISION OF:
[Signature]
 REGISTERED CIVIL ENGINEER
 DATE: 4/18/23

DESIGNED: DWH
 DRAWN: SGM
 CHECKED: DWH
 DATE: 03/29/23
 ROAD NUMBER: 009



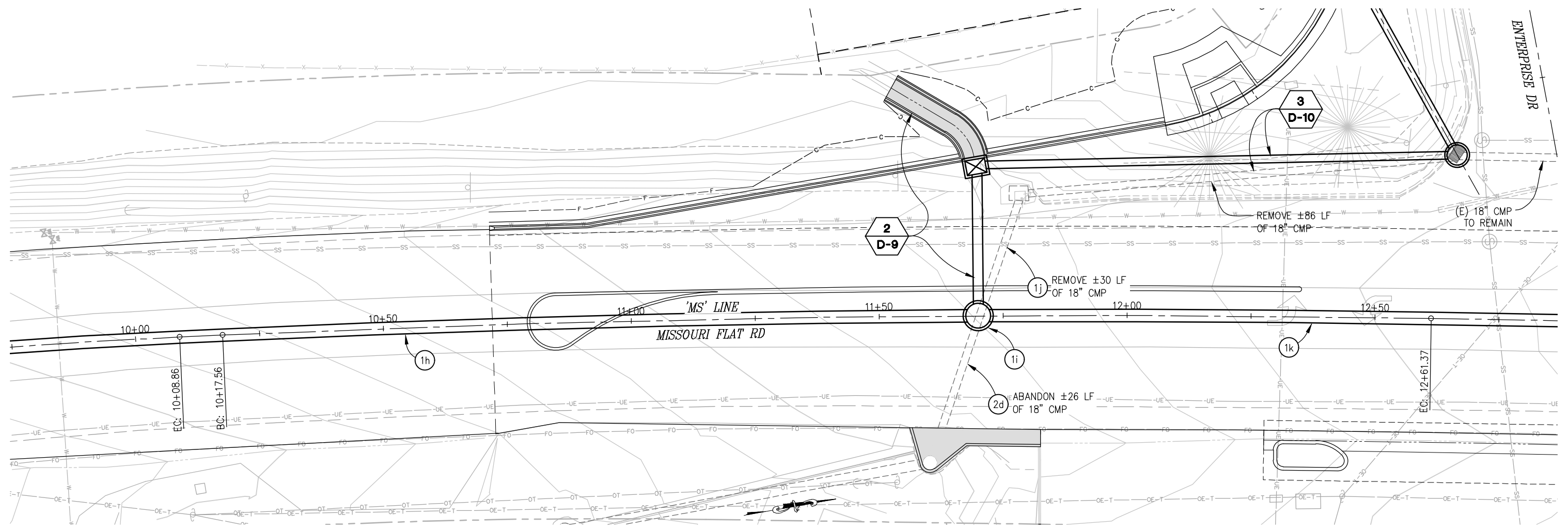
COUNTY OF EL DORADO
DEPARTMENT OF TRANSPORTATION

ENTERPRISE DR AND INDUSTRIAL DR
INTERSECTION IMPROVEMENTS

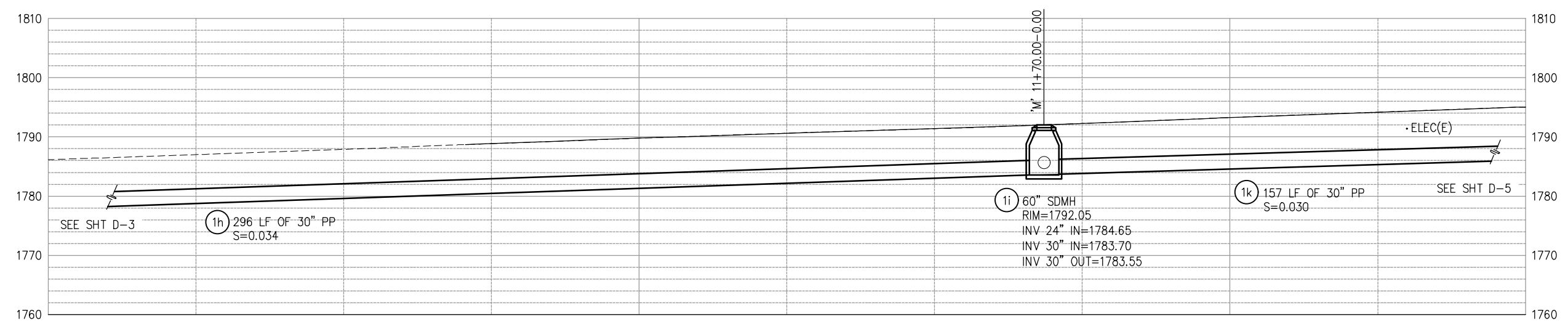
REVISION	NUMBER	DATE	DESCRIPTION	BY

SHEET
D-3
 24 OF 66
 CONTRACT NO.
6286

ORIGINAL SCALE IS IN INCHES
 Drawing name: Z:\Civil_3D\Projects\73365\73366 Enterprise-Industrial\CADD Files\Sheets\D-Sheets.dwg Layout Tab: D-4 Apr 10, 2023 1:56pm sncvwy
 FOR REDUCED PLANS
 2
 1
 0



SYSTEM 'SD1' - PLAN
SCALE: 1"=10'



SYSTEM 'SD1' - PROFILE
SCALE: 1"=10' H,V

THIS SHEET ACCURATE FOR DRAINAGE WORK ONLY
DRAINAGE PLAN & PROFILE
SCALE : AS SHOWN

REVISION	NUMBER	DATE	DESCRIPTION	BY



PREPARED UNDER THE SUPERVISION OF :

 REGISTERED CIVIL ENGINEER
 DATE: 4/18/23

DESIGNED: DWH
 DRAWN: SGM
 CHECKED: DWH
 DATE: 03/29/23
 ROAD NUMBER: 009

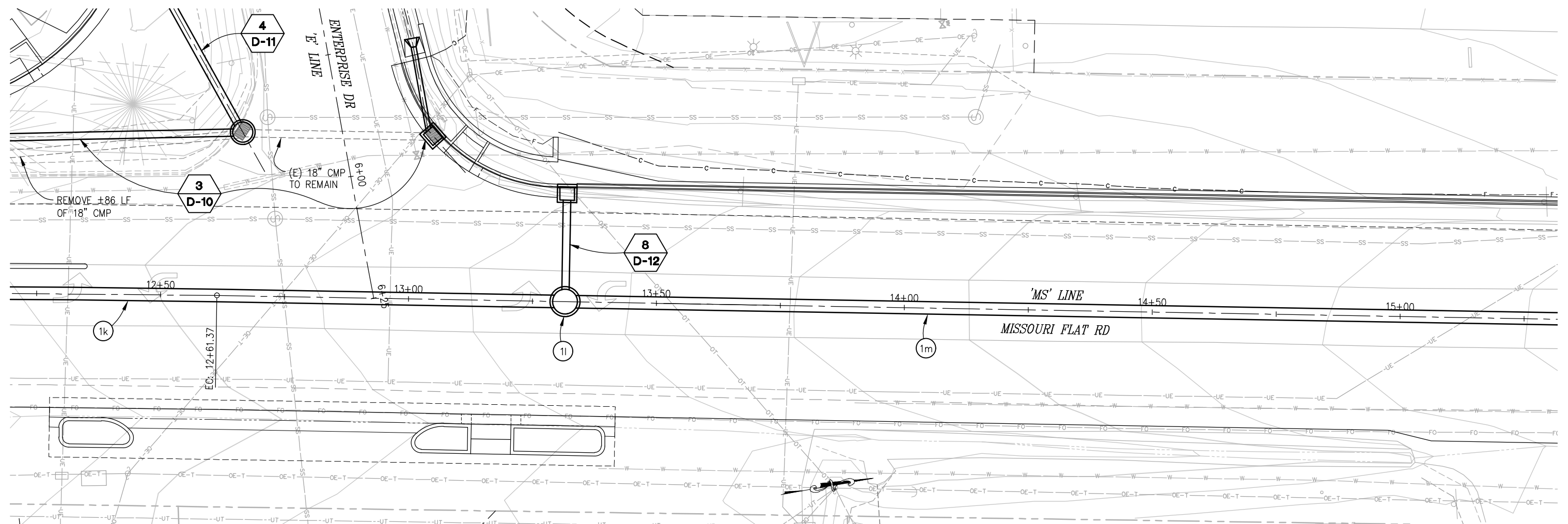


COUNTY OF EL DORADO
DEPARTMENT OF TRANSPORTATION

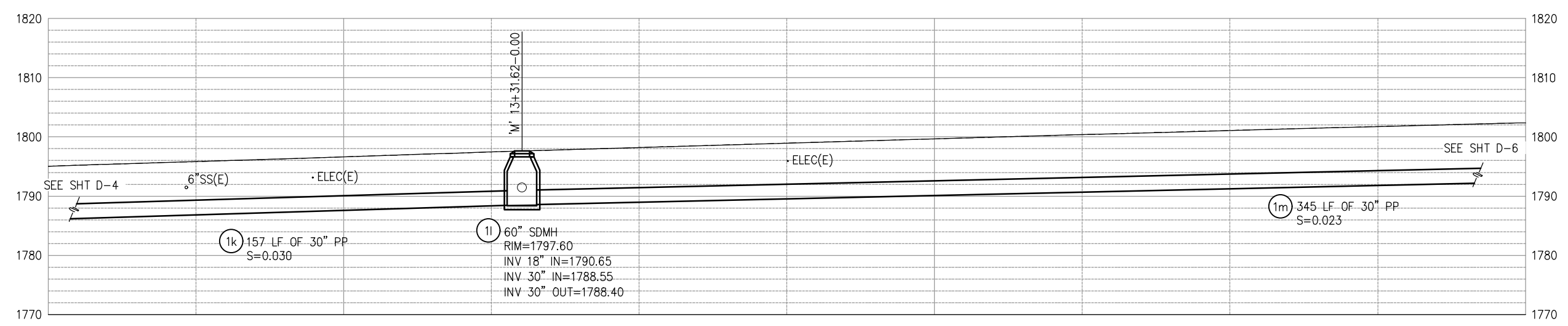
ENTERPRISE DR AND INDUSTRIAL DR
INTERSECTION IMPROVEMENTS

SHEET
D-4
 25 OF 66
 CONTRACT NO.
6286

ORIGINAL SCALE IS IN INCHES
 Drawing name: Z:\Civil_3D\Projects\73566 Enterprise-Industrial\CADD Files\Sheets\D-Sheets.dwg Layout Tab: D-5 Apr 10, 2023 1:56pm sncvwy
 FOR REDUCED PLANS
 REVISION



SYSTEM 'SD1' - PLAN
SCALE: 1"=10'



SYSTEM 'SD1' - PROFILE
SCALE: 1"=10' H,V

THIS SHEET ACCURATE FOR DRAINAGE WORK ONLY
DRAINAGE PLAN & PROFILE
SCALE : AS SHOWN

REVISION	NUMBER	DATE	DESCRIPTION	BY



PREPARED UNDER THE SUPERVISION OF :

 REGISTERED CIVIL ENGINEER
 DATE: 4/18/23

DESIGNED: DWH
 DRAWN: SGM
 CHECKED: DWH
 DATE: 03/29/23
 ROAD NUMBER: 009

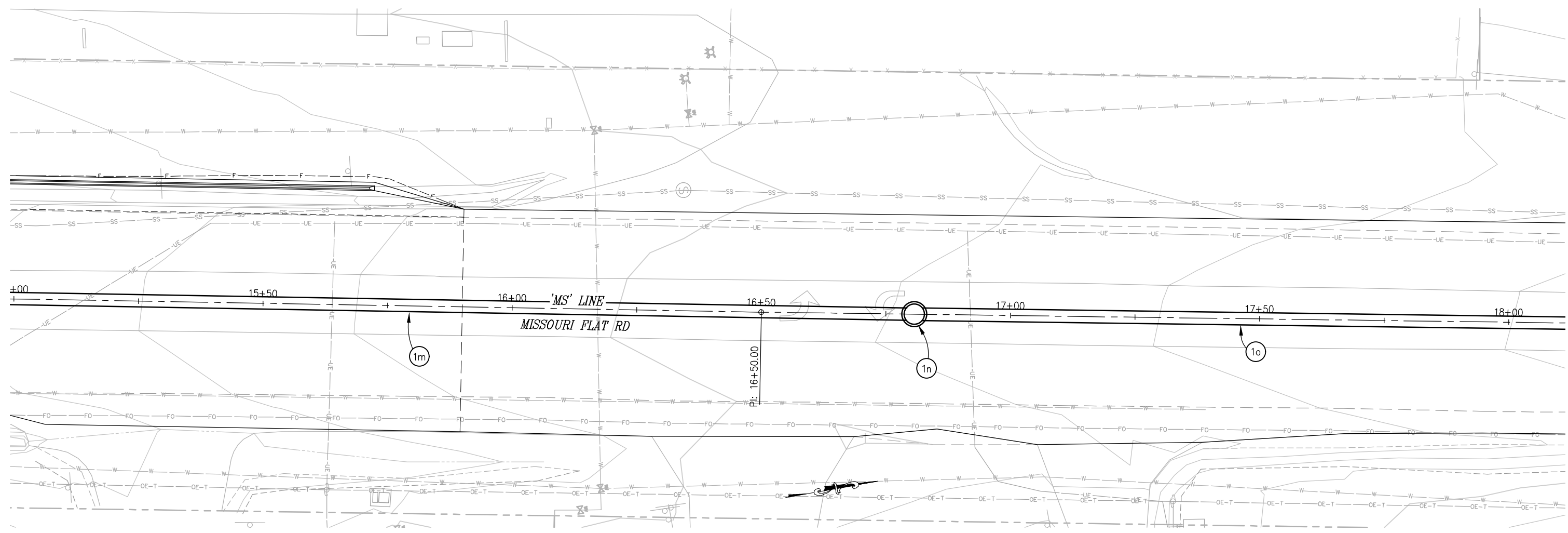


COUNTY OF EL DORADO
DEPARTMENT OF TRANSPORTATION

ENTERPRISE DR AND INDUSTRIAL DR
INTERSECTION IMPROVEMENTS

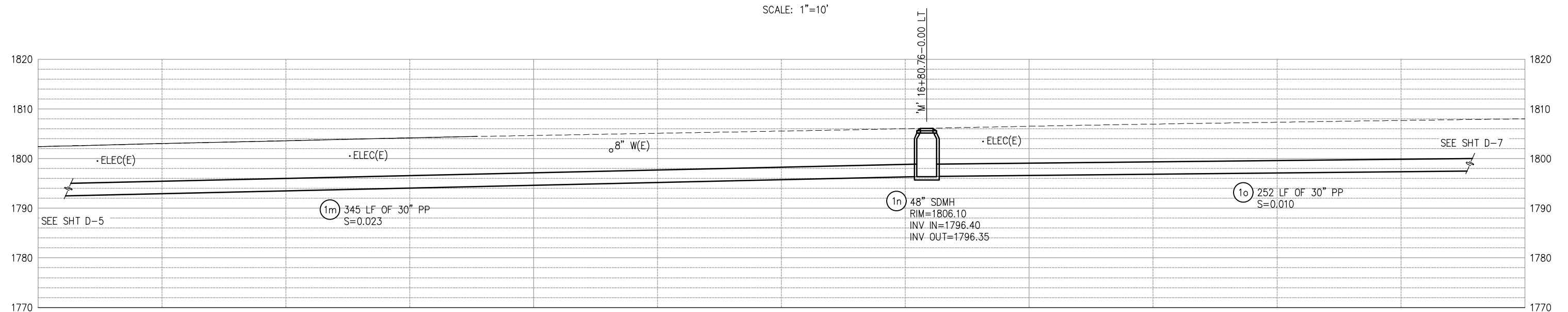
SHEET
D-5
 26 OF 66
 CONTRACT NO.
6286

ORIGINAL SCALE IS IN INCHES
 Drawing name: Z:\Civil_3D\Projects\73365_73366 Enterprise-Industrial\CADD_Files\Sheets\0-Sheets.dwg Layout: Tab: D-6 Apr 10, 2023 1:56pm smcvey
 FOR REDUCED PLANS
 2
 1
 0



SYSTEM 'SD1' - PLAN

SCALE: 1"=10'



SYSTEM 'SD1' - PROFILE

SCALE: 1"=10' H,V

THIS SHEET ACCURATE FOR DRAINAGE WORK ONLY **DRAINAGE PLAN & PROFILE**
SCALE : AS SHOWN

REVISION	NUMBER	DATE	DESCRIPTION	BY



PREPARED UNDER THE SUPERVISION OF:
[Signature]
 REGISTERED CIVIL ENGINEER
 DATE: 4/18/23

DESIGNED: DWH
 DRAWN: SGM
 CHECKED: DWH
 DATE: 03/29/23
 ROAD NUMBER: 009

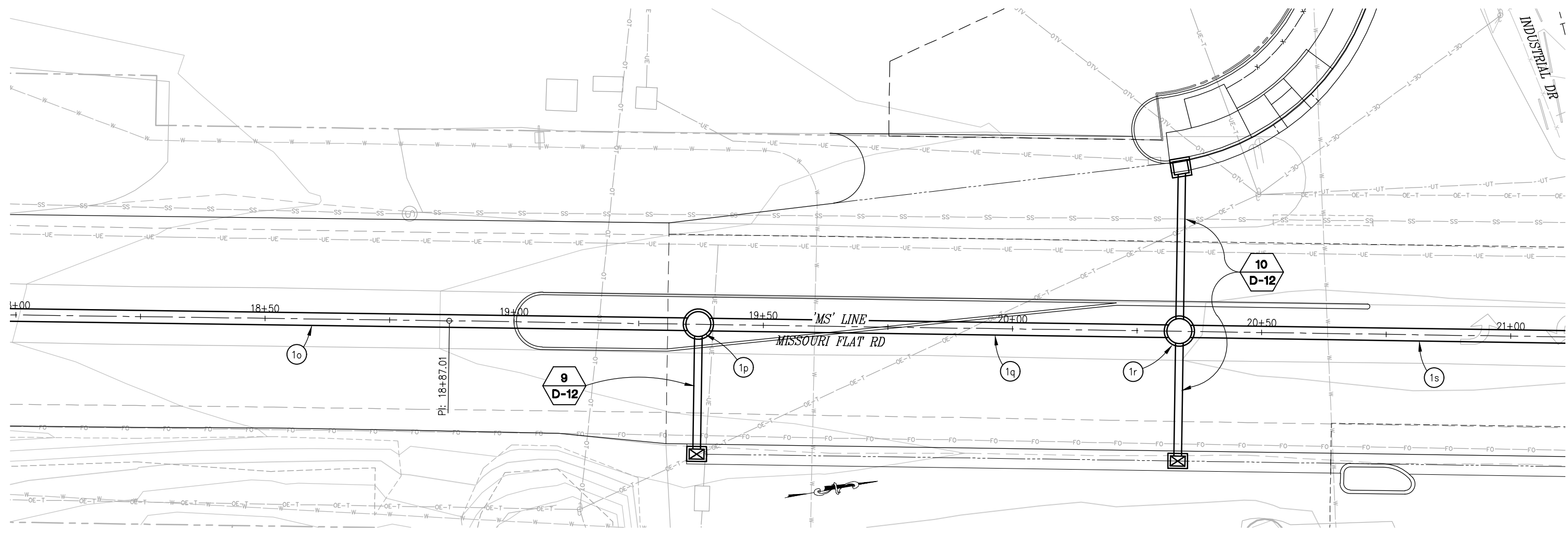


COUNTY OF EL DORADO
DEPARTMENT OF TRANSPORTATION

ENTERPRISE DR AND INDUSTRIAL DR
INTERSECTION IMPROVEMENTS

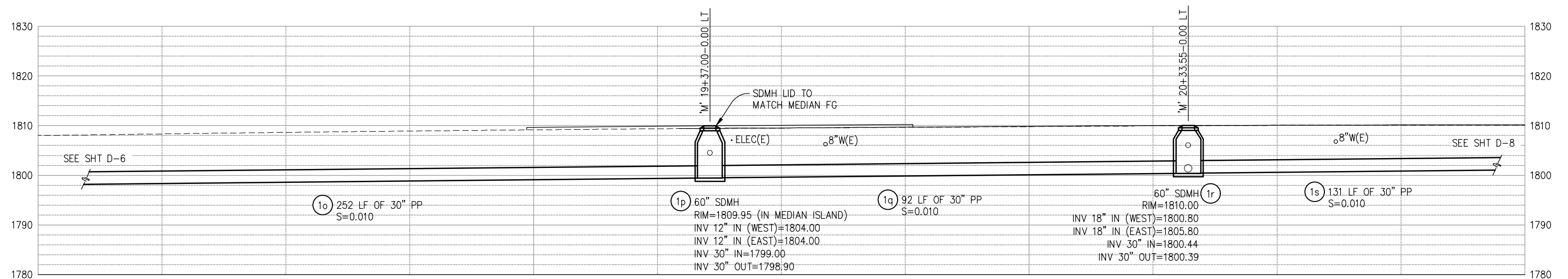
SHEET
D-6
 27 OF 66
 CONTRACT NO.
6286

ORIGINAL SCALE IS IN INCHES
 Drawing name: Z:\Civil_3D\Projects\73366 Enterprise-Industrial\CADD_Files\Sheets\0-Sheets.dwg Layout Tab: D-7 Apr 14, 2023 - 10:10am smevey
 FOR REDUCED PLANS
 2
 1
 0



SYSTEM 'SD1' - PLAN

SCALE: 1"=10'



SYSTEM 'SD1' - PROFILE

SCALE: 1"=10' H,V

THIS SHEET ACCURATE FOR DRAINAGE WORK ONLY **DRAINAGE PLAN & PROFILE**
SCALE : AS SHOWN

REVISION	NUMBER	DATE	DESCRIPTION	BY



PREPARED UNDER THE SUPERVISION OF :

 REGISTERED CIVIL ENGINEER
 DATE: 4/18/23

DESIGNED: DWH
 DRAWN: SGM
 CHECKED: DWH
 DATE: 03/29/23
 ROAD NUMBER: 009

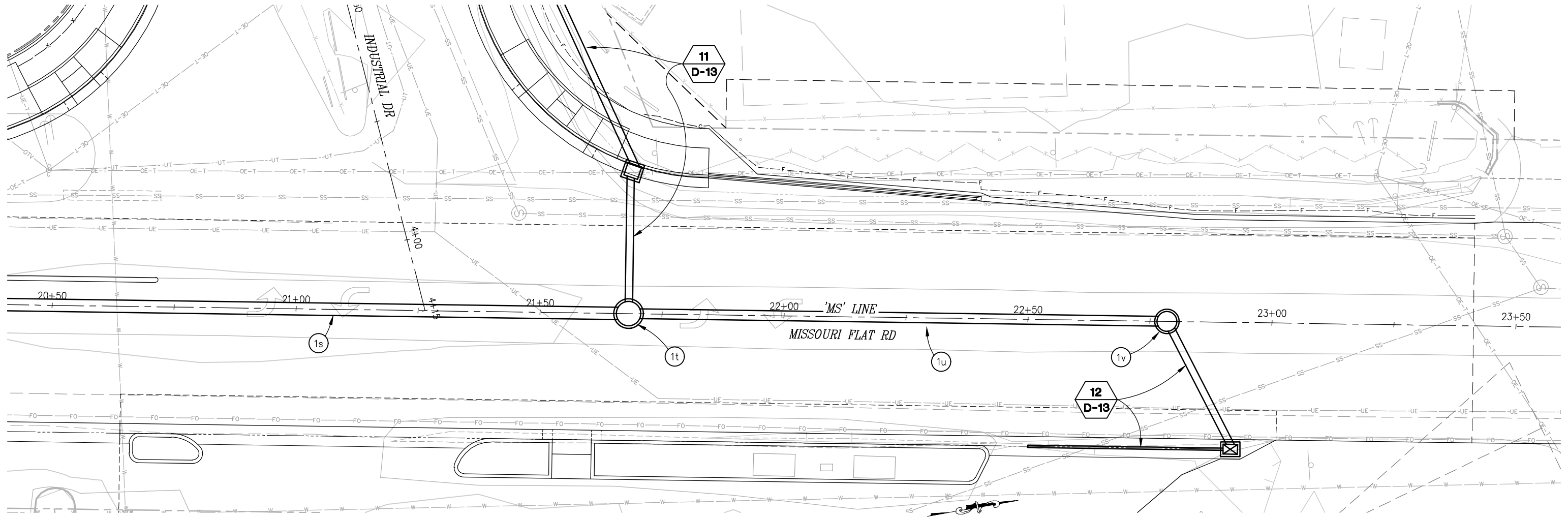


COUNTY OF EL DORADO
DEPARTMENT OF TRANSPORTATION

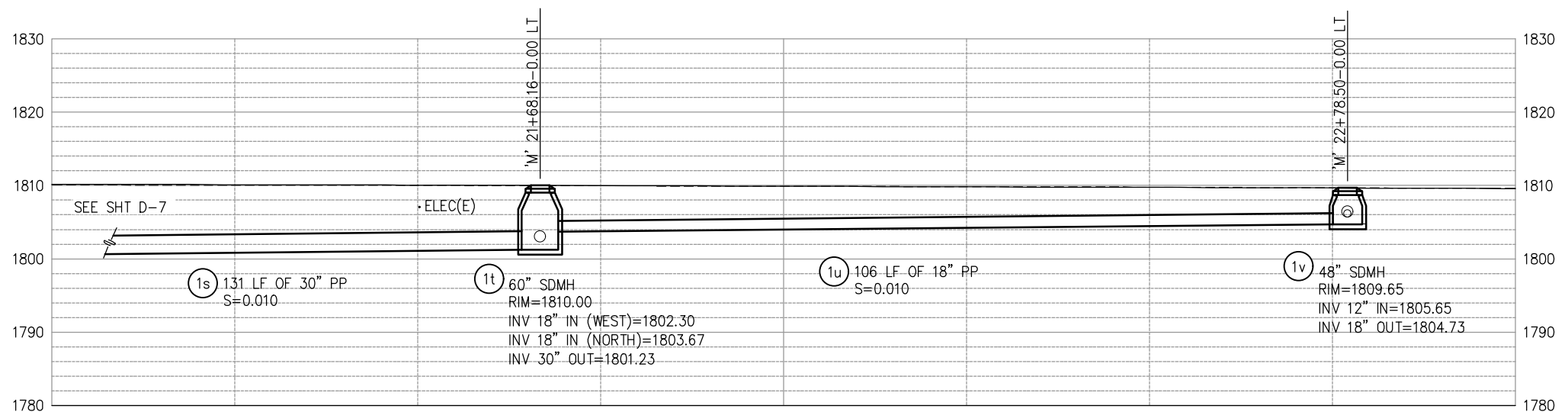
ENTERPRISE DR AND INDUSTRIAL DR
INTERSECTION IMPROVEMENTS

SHEET
D-7
 28 OF 66
 CONTRACT NO.
6286

ORIGINAL SCALE IS IN INCHES
 Drawing name: Z:\Civil_3D\Projects\73365_73366 Enterprise-Industrial\CADD Files\Sheets\0-Sheets.dwg Layout Tab: D-8 Apr 10, 2023 1:57pm smcvey
 FOR REDUCED PLANS
 2
 1
 0



SYSTEM 'SD1' - PLAN
SCALE: 1"=10'



SYSTEM 'SD1' - PROFILE
SCALE: 1"=10' H,V

THIS SHEET ACCURATE FOR DRAINAGE WORK ONLY
DRAINAGE PLAN & PROFILE
SCALE : AS SHOWN



PREPARED UNDER THE SUPERVISION OF :

 REGISTERED CIVIL ENGINEER
 DATE: 4/18/23

DESIGNED: DWH
 DRAWN: SGM
 CHECKED: DWH
 DATE: 03/29/23
 ROAD NUMBER: 009



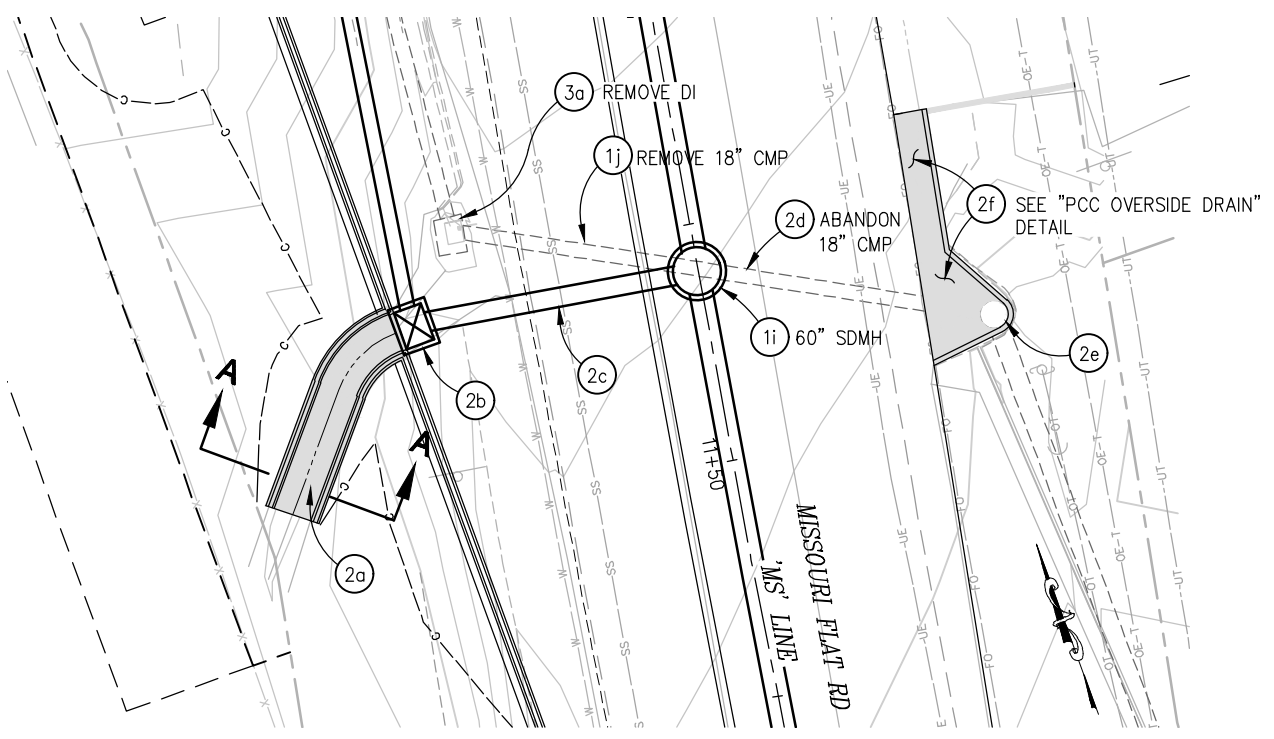
COUNTY OF EL DORADO
DEPARTMENT OF TRANSPORTATION

ENTERPRISE DR AND INDUSTRIAL DR
INTERSECTION IMPROVEMENTS

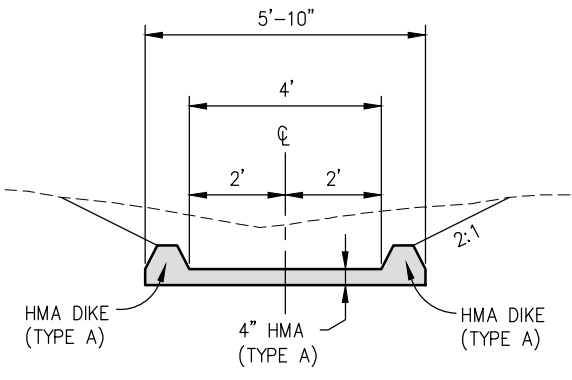
REVISION	NUMBER	DATE	DESCRIPTION	BY

SHEET
D-8
 29 OF 66
 CONTRACT NO.
6286

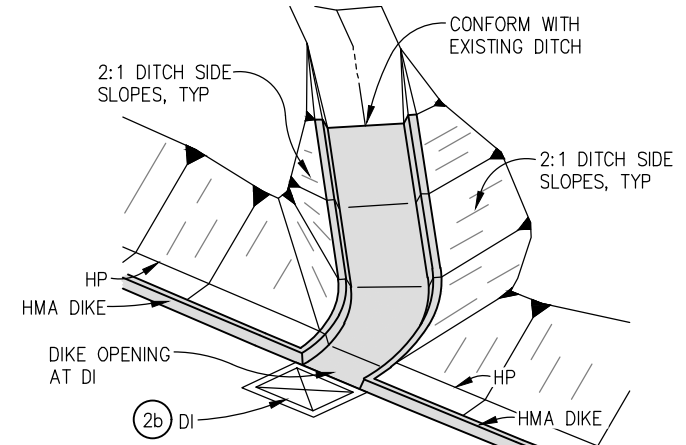
ORIGINAL SCALE IS IN INCHES
 Drawing name: Z:\Civil_3D\Projects\73365_73366 Enterprise-Industrial\CADD_Files\Sheets\0-Sheets.dwg Layout Tab: D-9 Apr 10, 2023 1:57pm sncvwy
 FOR REDUCED PLANS
 2
 1
 0



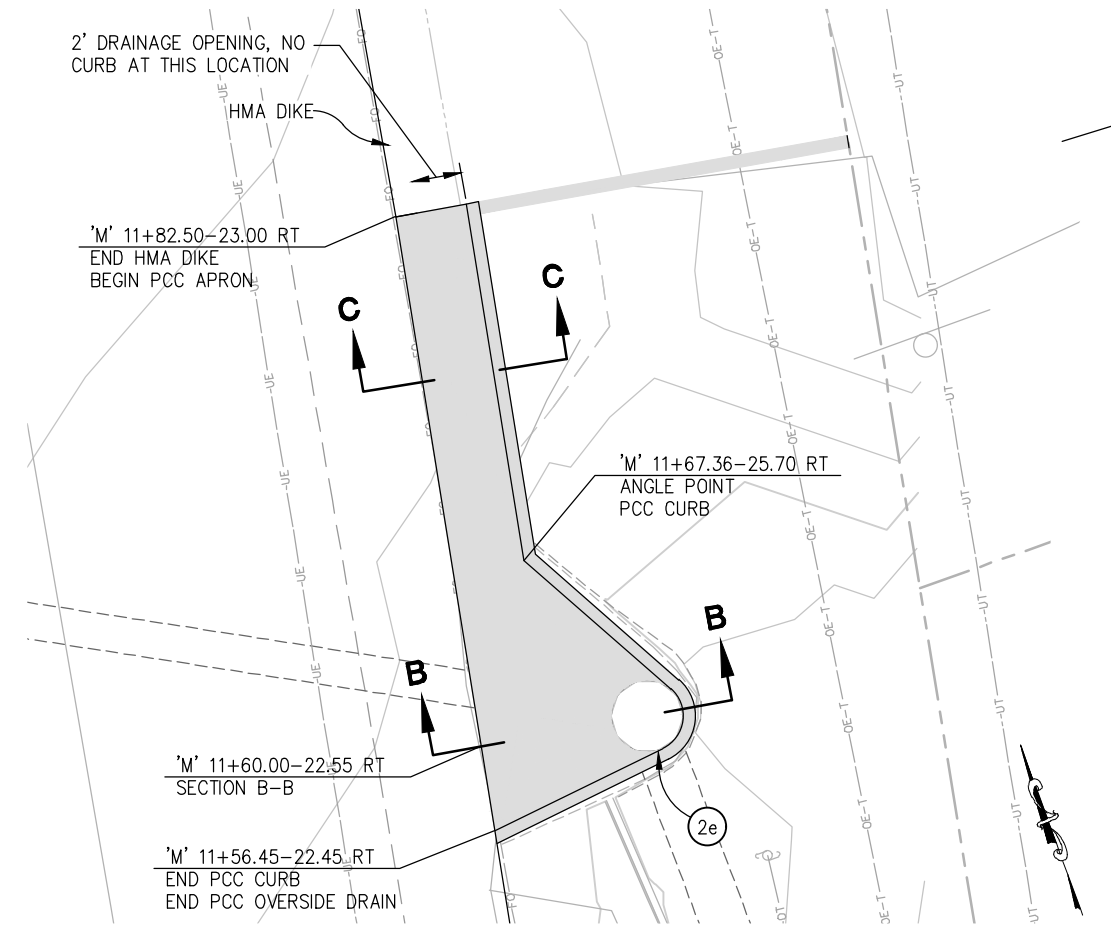
SYSTEM 'SD2' - PLAN
SCALE: 1"=10'



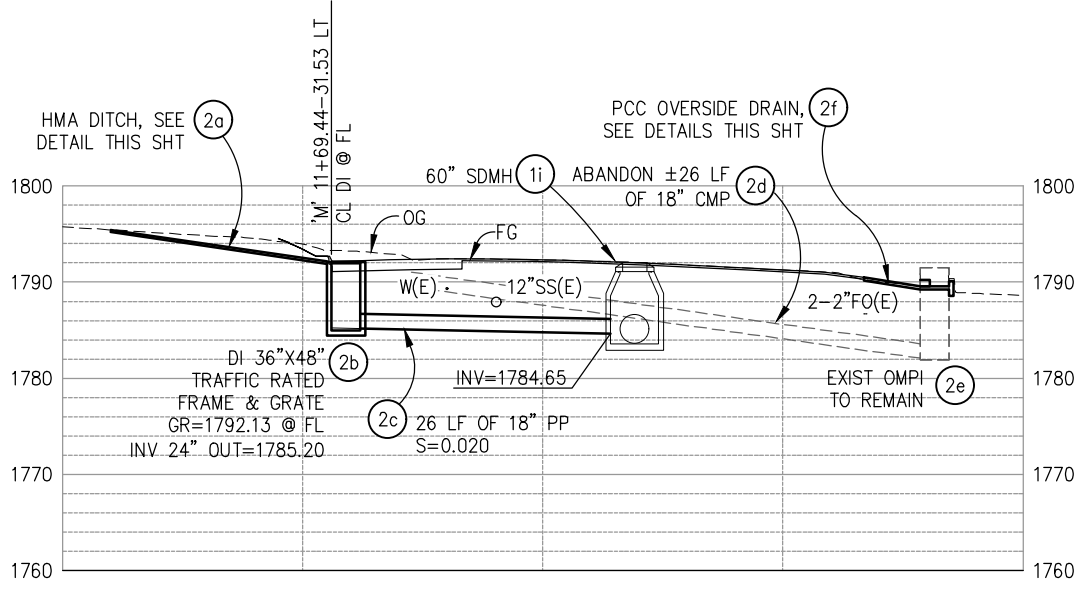
SECTION A-A
NTS



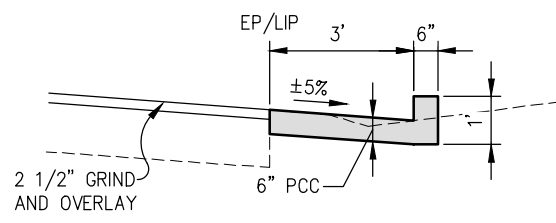
HMA DITCH DETAIL
NTS



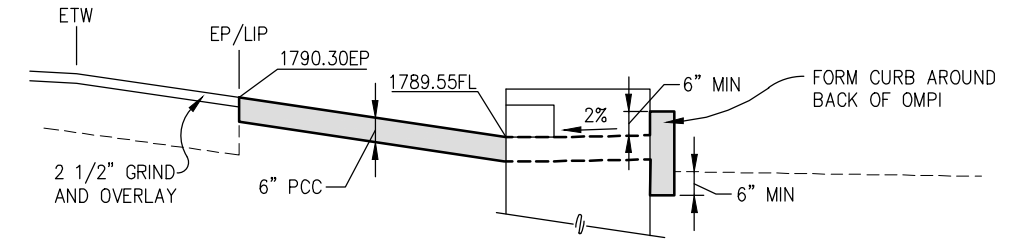
PCC OVERSIDE DRAIN
SCALE: 1"=4'



SYSTEM 'SD2' - PROFILE
SCALE: 1"=10' H,V



SECTION C-C
NTS



SECTION B-B
NTS

THIS SHEET ACCURATE FOR DRAINAGE WORK ONLY

DRAINAGE DETAILS
SCALE : AS SHOWN

REVISION	NUMBER	DATE	DESCRIPTION	BY



PREPARED UNDER THE SUPERVISION OF:
Dustin W. Harrington
 REGISTERED CIVIL ENGINEER
 DATE: 4/18/23

DESIGNED: DWH
 DRAWN: SGM
 CHECKED: DWH
 DATE: 03/29/23
 ROAD NUMBER: 009

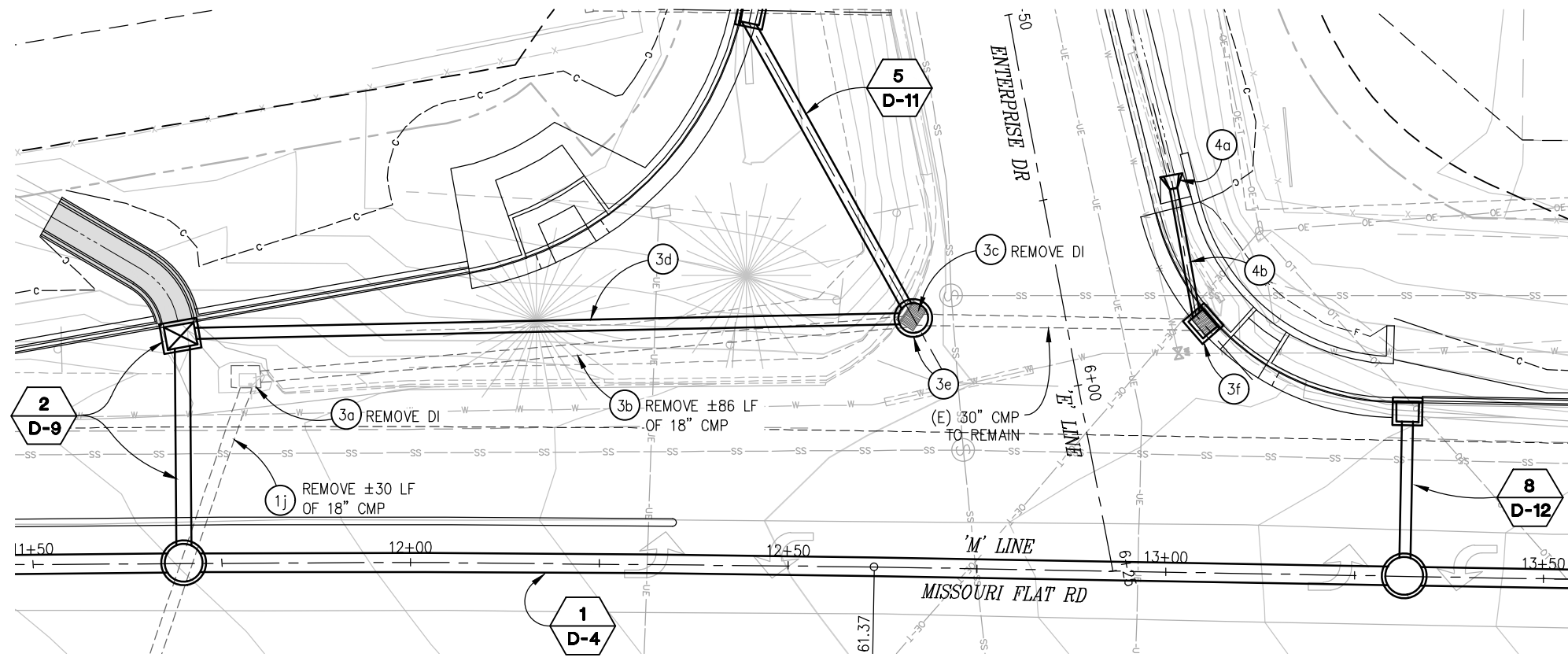


COUNTY OF EL DORADO
DEPARTMENT OF TRANSPORTATION

ENTERPRISE DR AND INDUSTRIAL DR
INTERSECTION IMPROVEMENTS

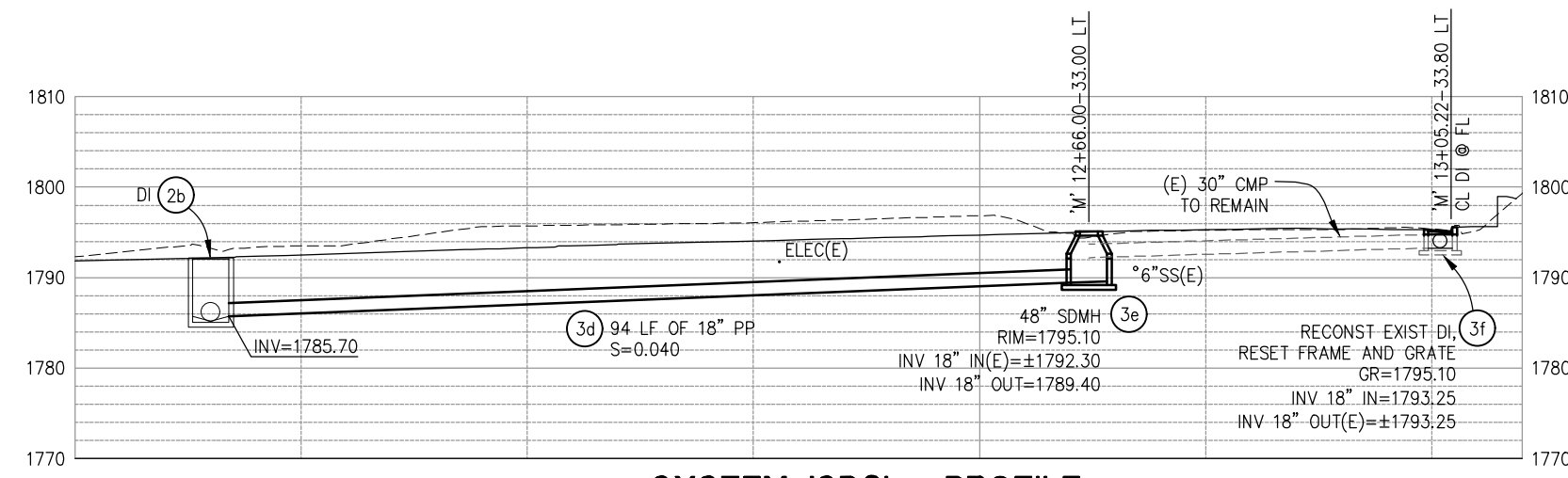
SHEET
D-9
 30 OF 66
 CONTRACT NO.
6286

ORIGINAL SCALE IS IN INCHES
 Drawing name: Z:\Civil_3D\Projects\73565_73566 Enterprise-Industrial\CADD_Files\Sheets\0-Sheets.dwg Layout Tab: D-10 Apr 10, 2023 1:58pm srmvev
 FOR REDUCED PLANS
 REVISION
 NUMBER DATE DESCRIPTION BY



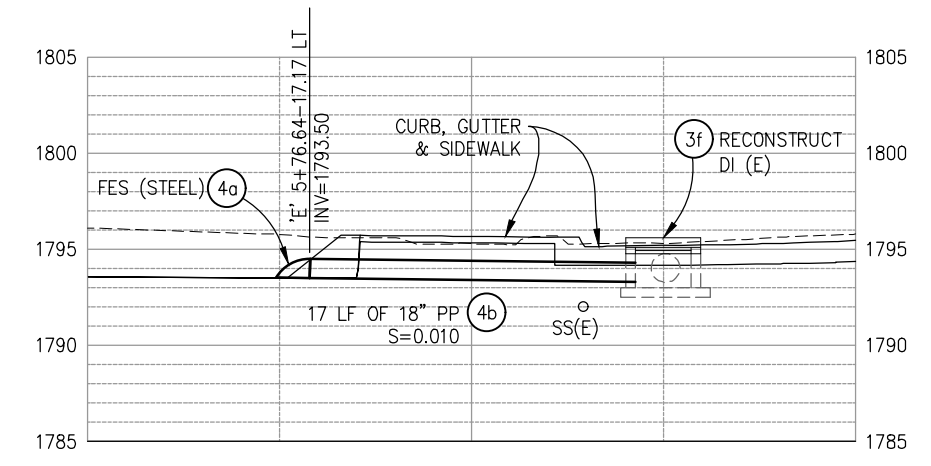
SYSTEM 'SD3' - PLAN

SCALE: 1"=10'



SYSTEM 'SD3' - PROFILE

SCALE: 1"=10' H,V



SYSTEM 'SD4' - PROFILE

SCALE: 1"=5' H,V

THIS SHEET ACCURATE FOR DRAINAGE WORK ONLY **DRAINAGE PLAN & PROFILE**
SCALE : AS SHOWN



PREPARED UNDER THE SUPERVISION OF:
[Signature]
 REGISTERED CIVIL ENGINEER
 DATE: 4/18/23

DESIGNED: DWH
 DRAWN: SGM
 CHECKED: DWH
 DATE: 03/29/23
 ROAD NUMBER: 009

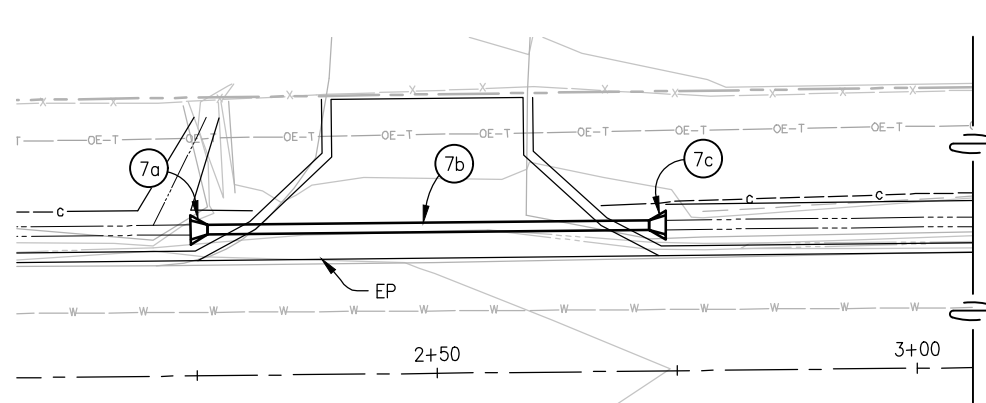


COUNTY OF EL DORADO
DEPARTMENT OF TRANSPORTATION

ENTERPRISE DR AND INDUSTRIAL DR
INTERSECTION IMPROVEMENTS

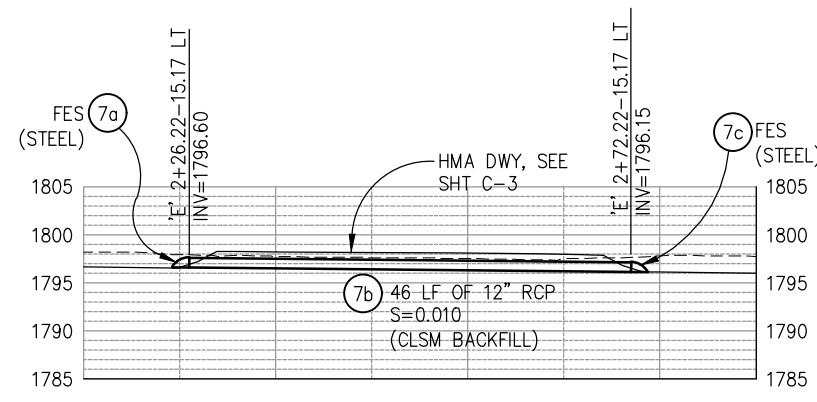
SHEET
D-10
 31 OF 66
 CONTRACT NO.
6286

ORIGINAL SCALE IS IN INCHES
 Drawing name: Z:\Civil_3D\Projects\73365_73366 Enterprise-Industrial\CADD Files\Sheets\Sheet\0-Sheets.dwg Layout Tab: D-11 Apr 10, 2023 1:58pm smcvey
 FOR REDUCED PLANS
 2
 1
 0



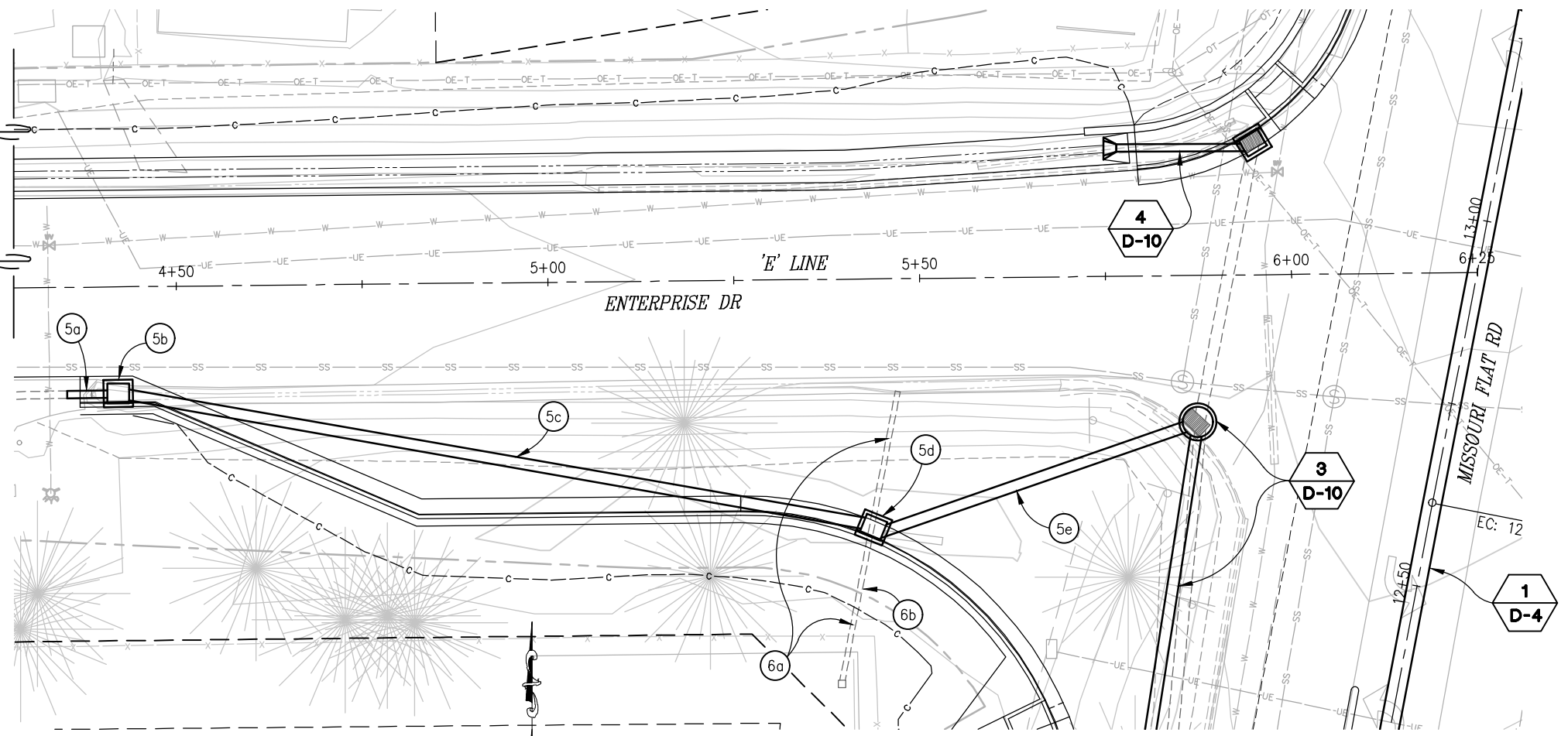
SYSTEM 'SD7' - PLAN

SCALE: 1"=10'



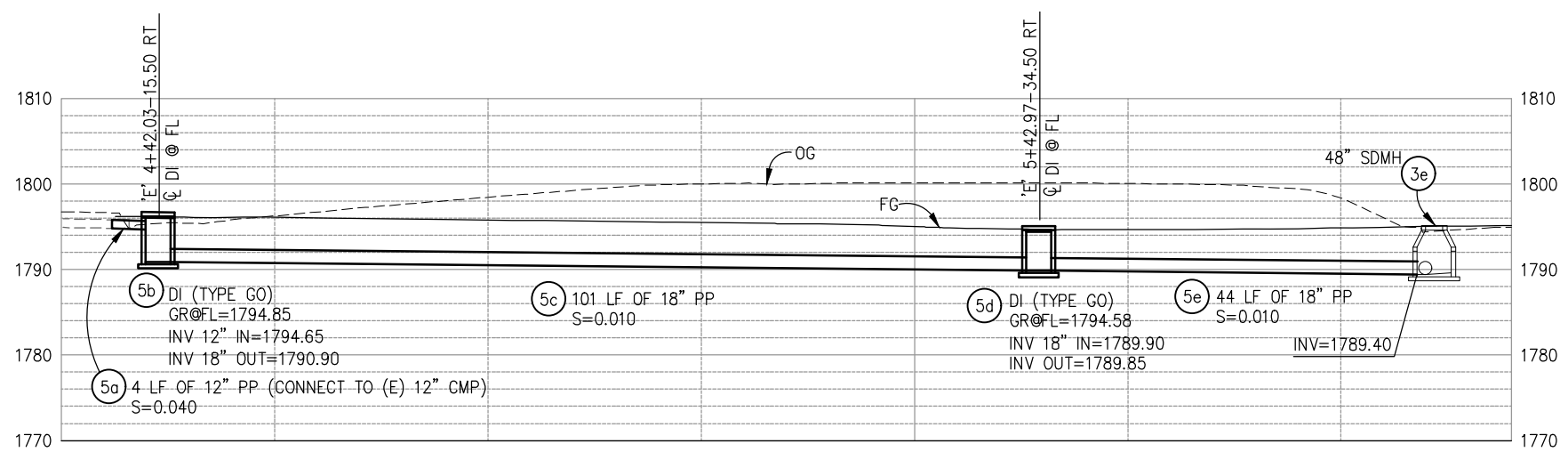
SYSTEM 'SD7' - PROFILE

SCALE: 1"=5' H,V



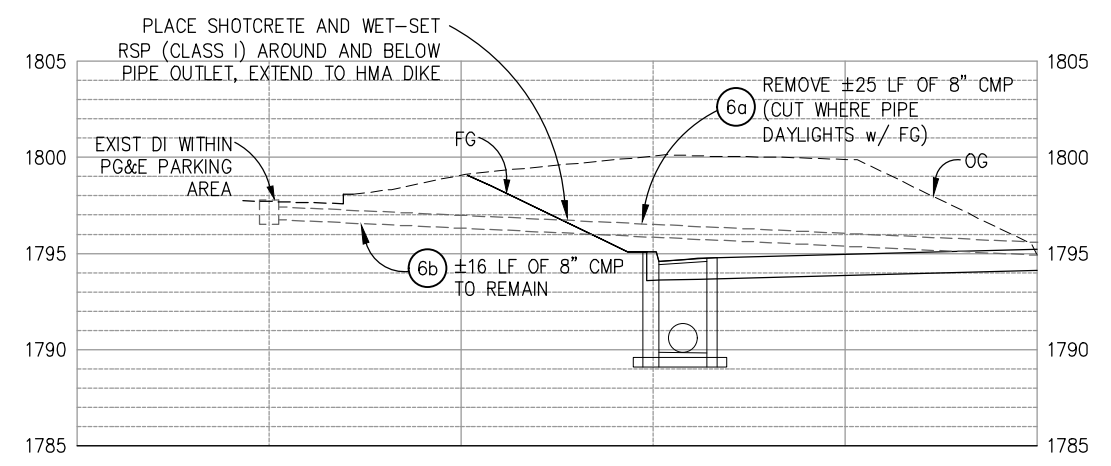
SYSTEM 'SD5' & 'SD6' - PLAN

SCALE: 1"=10'



SYSTEM 'SD5' - PROFILE

SCALE: 1"=10' H,V



SYSTEM 'SD6' - PROFILE

SCALE: 1"=5' H,V

THIS SHEET ACCURATE FOR DRAINAGE WORK ONLY

DRAINAGE PLAN & PROFILE
SCALE: AS SHOWN

REVISION	NUMBER	DATE	DESCRIPTION	BY



PREPARED UNDER THE SUPERVISION OF:

 REGISTERED CIVIL ENGINEER
 DATE: 4/18/23

DESIGNED: DWH
 DRAWN: SGM
 CHECKED: DWH
 DATE: 03/29/23
 ROAD NUMBER: 009

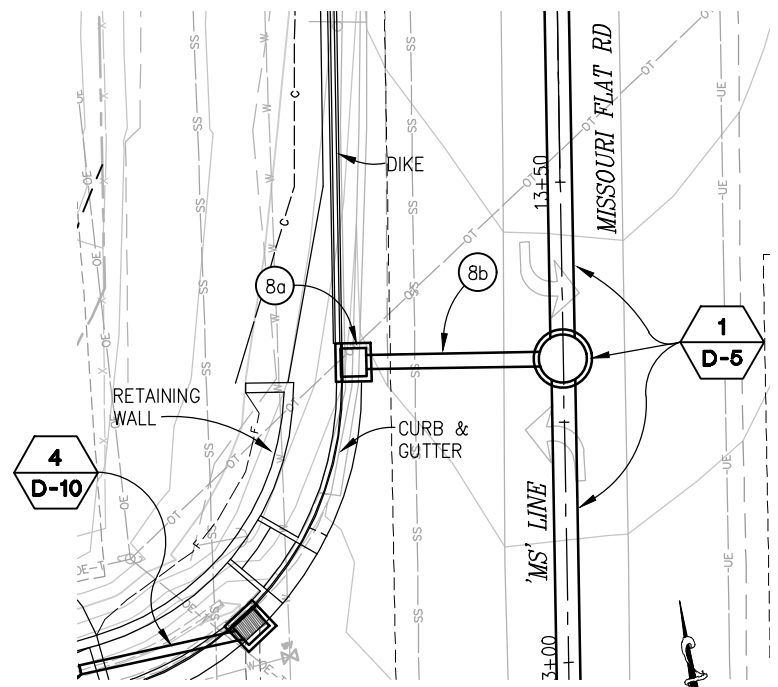


COUNTY OF EL DORADO
DEPARTMENT OF TRANSPORTATION

ENTERPRISE DR AND INDUSTRIAL DR
INTERSECTION IMPROVEMENTS

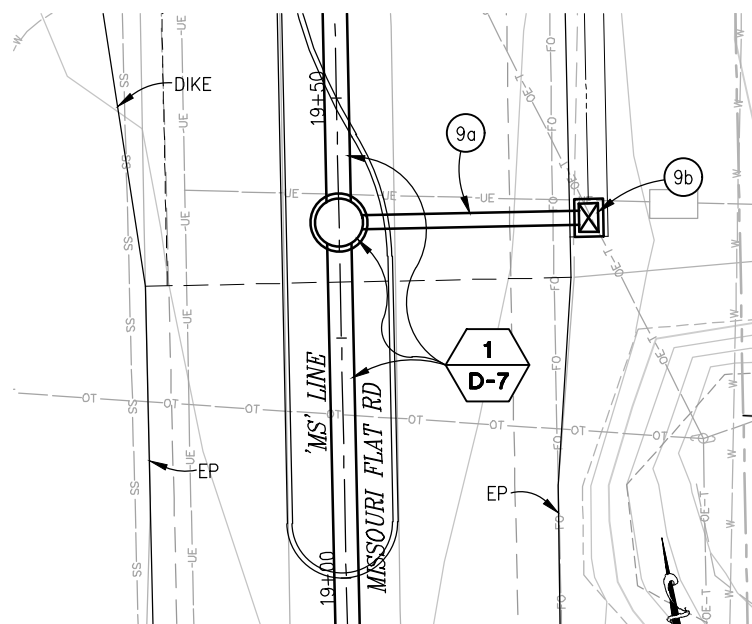
SHEET
D-11
 32 OF 66
 CONTRACT NO.
6286

ORIGINAL SCALE IS IN INCHES
 Drawing name: Z:\Civil_3D\Projects\73366 Enterprise-Industrial\CADD_Files\Sheets\0-Sheets.dwg Layout Tab: D-12 Apr 18, 2023 - 8:44am smevey



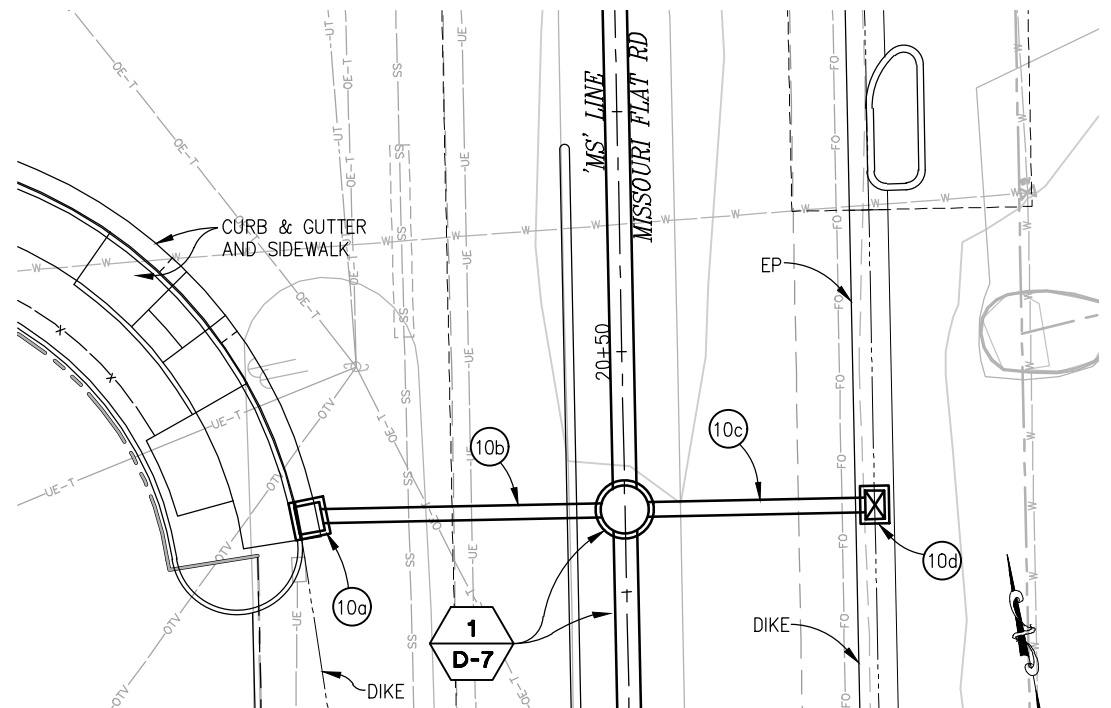
SYSTEM 'SD8' - PLAN

SCALE: 1"=10'



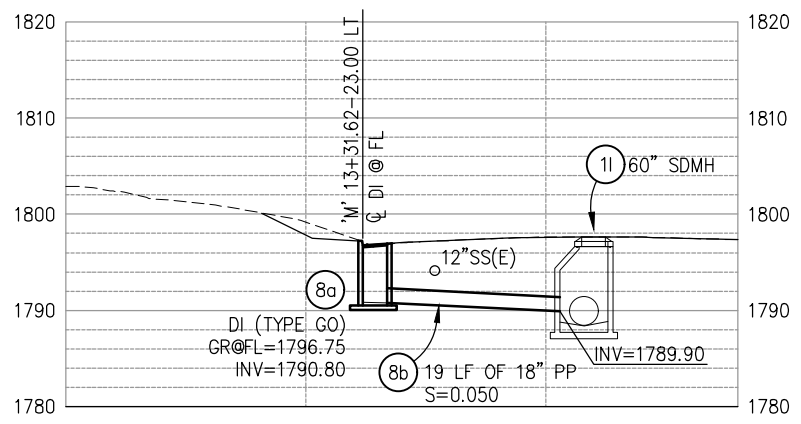
SYSTEM 'SD9' - PLAN

SCALE: 1"=10'



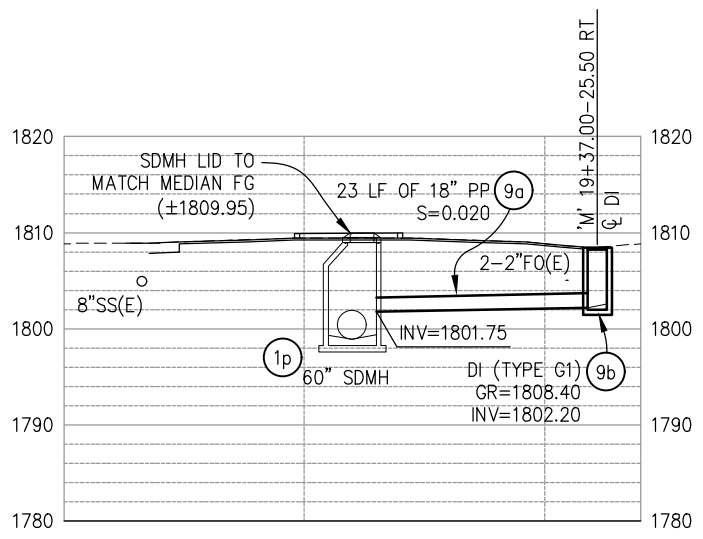
SYSTEM 'SD10' - PLAN

SCALE: 1"=10'



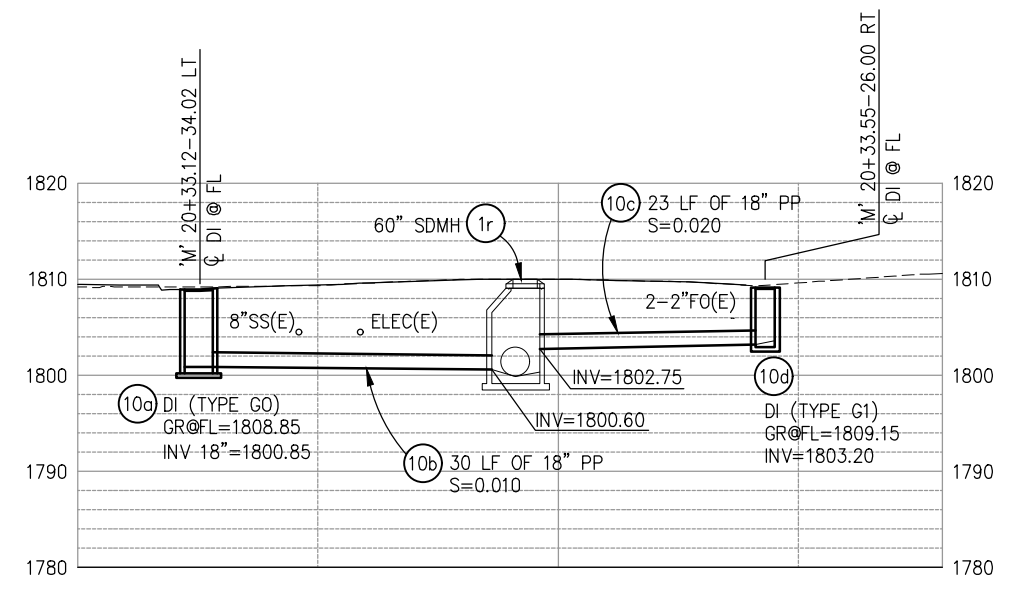
SYSTEM 'SD8' - PROFILE

SCALE: 1"=10' H,V



SYSTEM 'SD9' - PROFILE

SCALE: 1"=10' H,V



SYSTEM 'SD10' - PROFILE

SCALE: 1"=10' H,V

THIS SHEET ACCURATE FOR DRAINAGE WORK ONLY **DRAINAGE PLAN & PROFILE SCALE : AS SHOWN**

REVISION	NUMBER	DATE	DESCRIPTION	BY



PREPARED UNDER THE SUPERVISION OF:
[Signature]
 REGISTERED CIVIL ENGINEER
 DATE: 4/18/23

DESIGNED: DWH
 DRAWN: SGM
 CHECKED: DWH
 DATE: 03/29/23
 ROAD NUMBER: 009

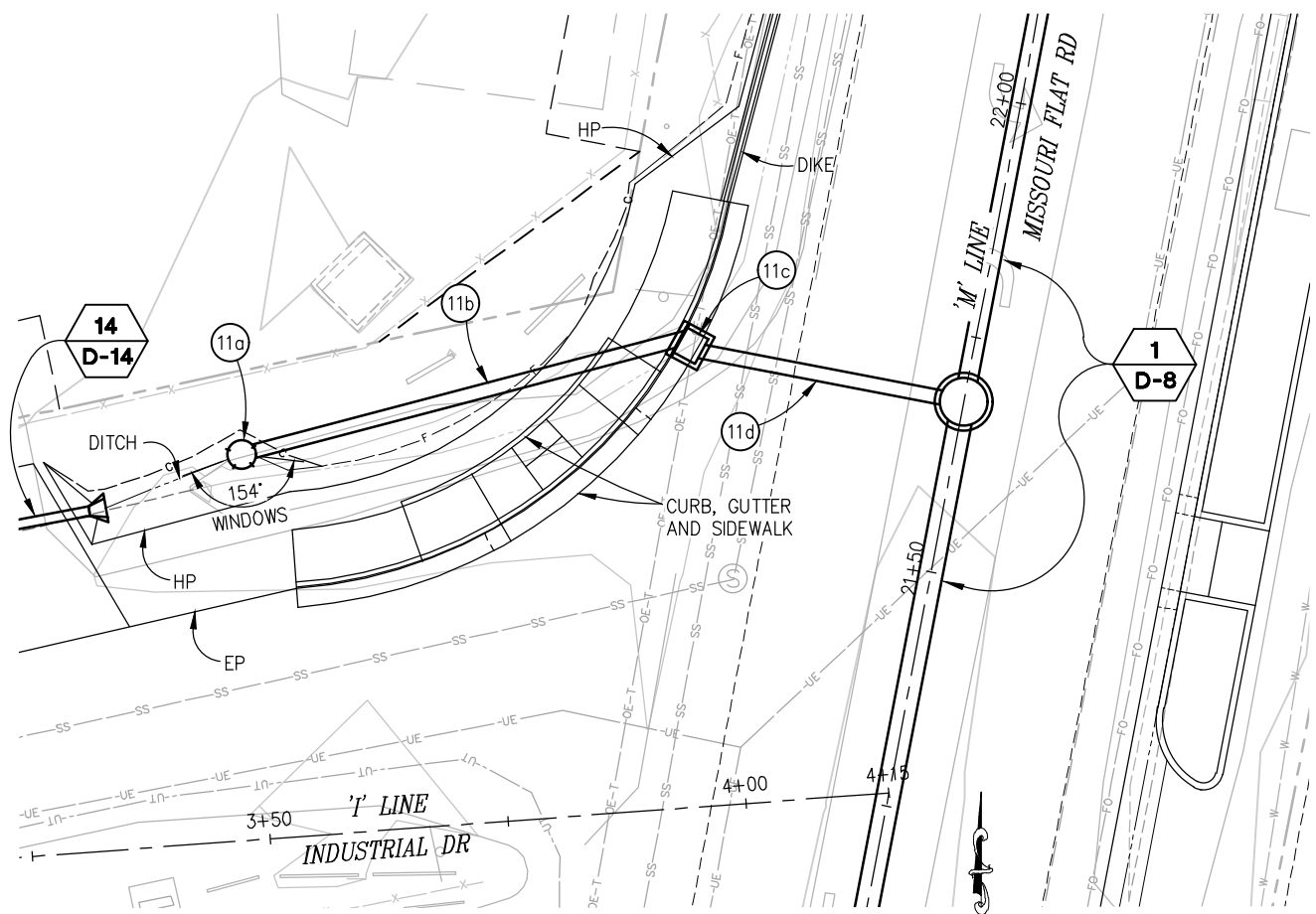


COUNTY OF EL DORADO DEPARTMENT OF TRANSPORTATION

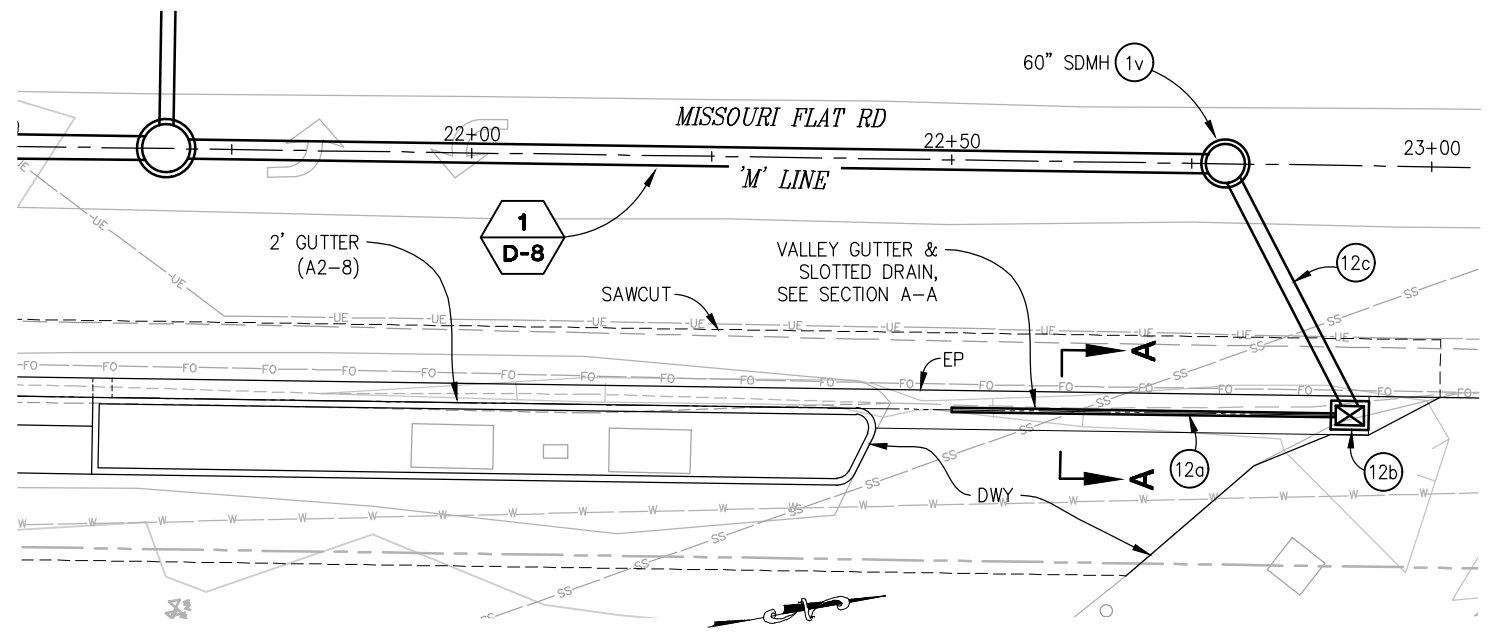
ENTERPRISE DR AND INDUSTRIAL DR INTERSECTION IMPROVEMENTS

SHEET **D-12**
 33 OF 66
 CONTRACT NO. **6286**

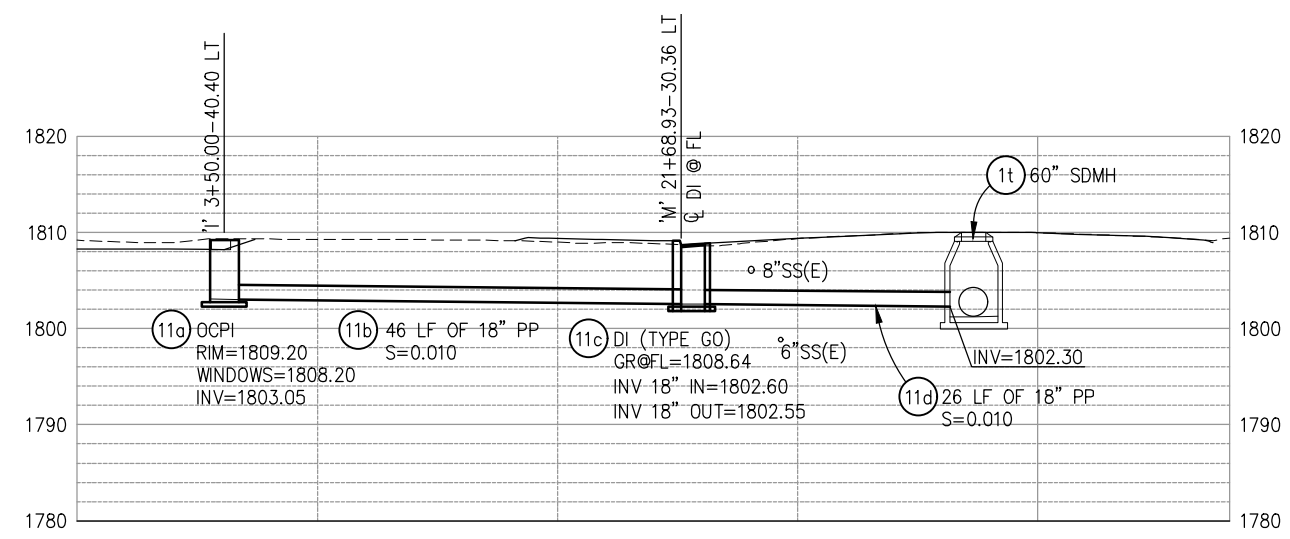
ORIGINAL SCALE IS IN INCHES
 Drawing name: Z:\Civil_3D\Projects\73365 73366 Enterprise-Industrial\CADD Files\Sheets\D-Sheets.dwg Layout Tab: D-13 Apr 10, 2023 1:59pm smvevy
 FOR REDUCED PLANS
 2
 1
 0



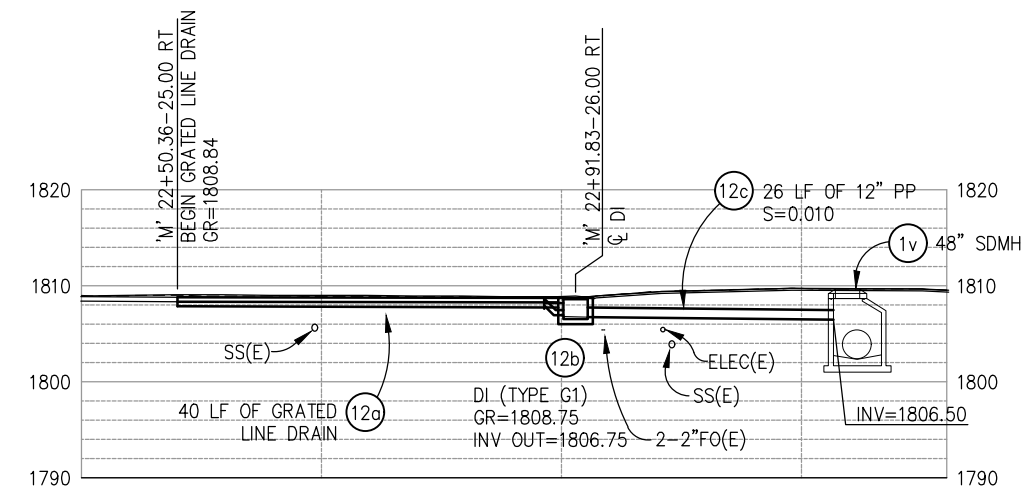
SYSTEM 'SD11' - PLAN
SCALE: 1"=10'



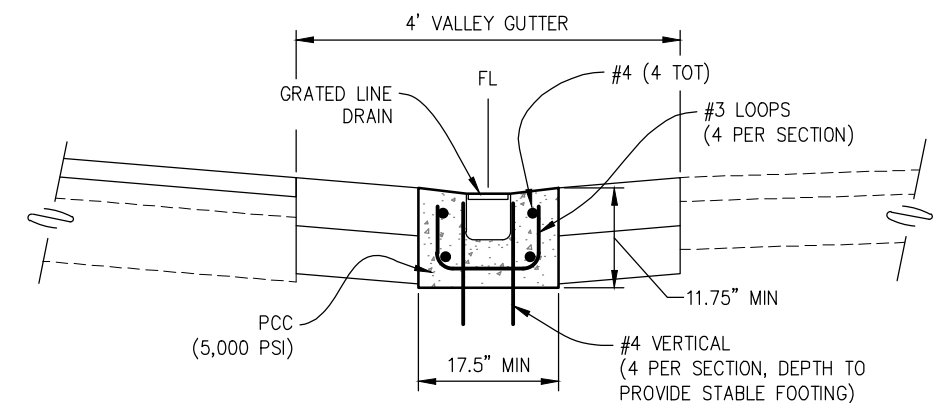
SYSTEM 'SD12' - PLAN
SCALE: 1"=10'



SYSTEM 'SD11' - PROFILE
SCALE: 1"=10' H,V



SYSTEM 'SD12' - PROFILE
SCALE: 1"=10' H,V



SECTION A-A
NTS

THIS SHEET ACCURATE FOR DRAINAGE WORK ONLY

DRAINAGE PLAN & PROFILE
SCALE : AS SHOWN



PREPARED UNDER THE SUPERVISION OF :

 REGISTERED CIVIL ENGINEER
 DATE: 4/18/23

DESIGNED: DWH
 DRAWN: SGM
 CHECKED: DWH
 DATE: 03/29/23
 ROAD NUMBER: 009



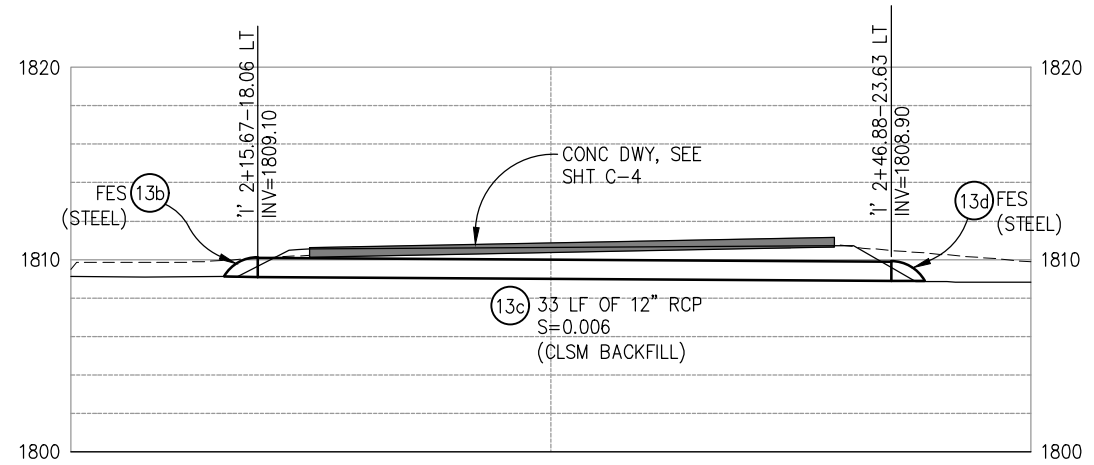
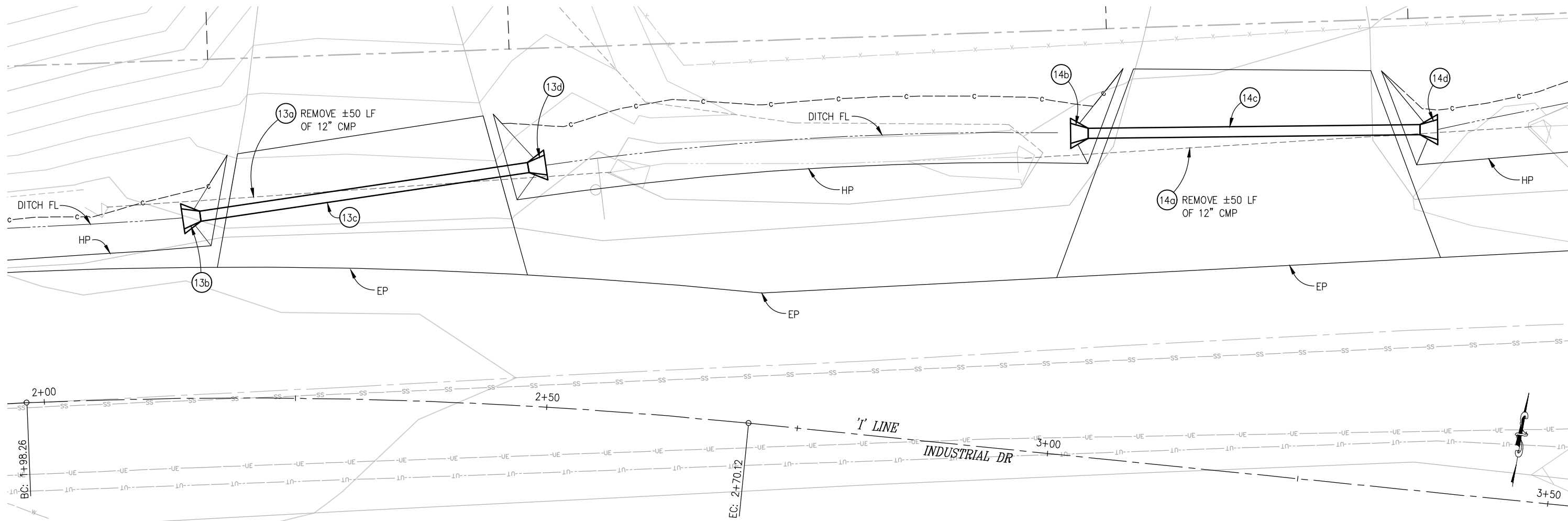
COUNTY OF EL DORADO
DEPARTMENT OF TRANSPORTATION

ENTERPRISE DR AND INDUSTRIAL DR
INTERSECTION IMPROVEMENTS

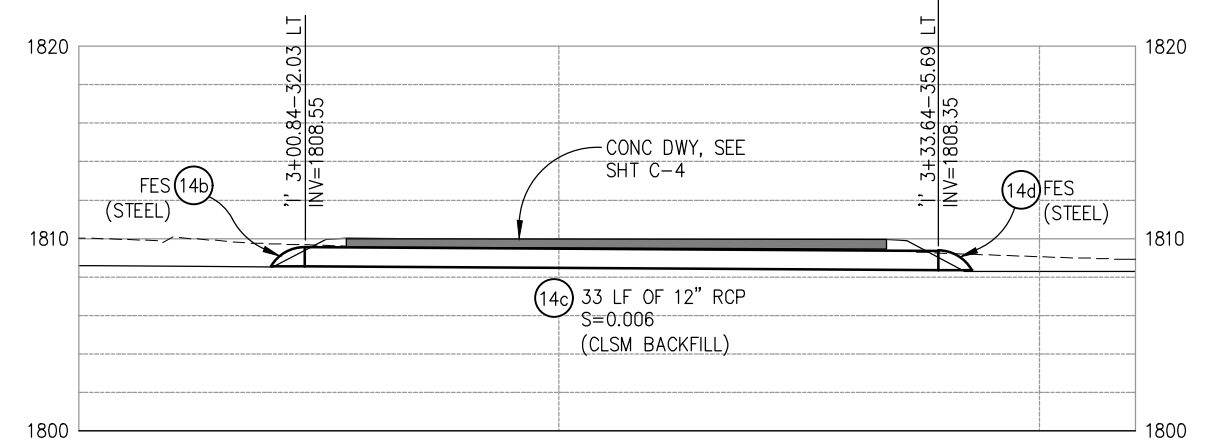
SHEET
D-13
 34 OF 66
 CONTRACT NO.
6286

REVISION	NUMBER	DATE	DESCRIPTION	BY

ORIGINAL SCALE IS IN INCHES
 Drawing name: Z:\Civil_3D\Projects\73365\73366 Enterprise-Industrial\CADD Files\Sheets\0-Sheets.dwg Layout Tab: D-14 Apr 10, 2023 1:59pm smovey
 FOR REDUCED PLANS



SD SYSTEM 'SD13' - PROFILE
 SCALE: 1"=5' H,V



SD SYSTEM 'SD14' - PROFILE
 SCALE: 1"=5' H,V

THIS SHEET ACCURATE FOR DRAINAGE WORK ONLY **DRAINAGE PLAN & PROFILE**
SCALE : AS SHOWN

REVISION	NUMBER	DATE	DESCRIPTION	BY



PREPARED UNDER THE SUPERVISION OF:
[Signature]
 REGISTERED CIVIL ENGINEER
 DATE: 4/18/23

DESIGNED: DWH
 DRAWN: SGM
 CHECKED: DWH
 DATE: 03/29/23
 ROAD NUMBER: 009



COUNTY OF EL DORADO
DEPARTMENT OF TRANSPORTATION

ENTERPRISE DR AND INDUSTRIAL DR
INTERSECTION IMPROVEMENTS

SHEET
D-14
 35 OF 66
 CONTRACT NO.
6286

ORIGINAL SCALE IS IN INCHES
 Drawing name: Z:\Civil_3D_Projects\73365\73366 Enterprise-Industrial\CADD_Files\Sheets\0-Sheets.dwg Layout Tab: D-15 Apr 10, 2023 1:59pm smvevy
 FOR REDUCED PLANS
 0 1 2

DRAINAGE PLAN SHEET NO.	DRAINAGE SYSTEM NO.	DRAINAGE UNIT	60" SDMH	48" SDMH	DI (36" X 48")	DI (TYPE G0)	DI (TYPE G1)	36" OCPI			12" PLASTIC PIPE	12" REINFORCED CONCRETE PIPE	18" PLASTIC PIPE		30" PLASTIC PIPE	12" FES (STEEL)	18" FES (STEEL)	HMA DITCH	PCC OVERSIDE DRAIN	RECONSTRUCT DI	ABANDON 18" CMP	REMOVE DI	REMOVE 8" CMP	REMOVE 12" CMP	REMOVE 18" CMP	REMOVE 30" CMP	DESCRIPTION	STATION	DRAINAGE UNIT	DRAINAGE SYSTEM NO.	DRAINAGE PLAN SHEET NO.	
D-2	1	a	EA								LF																					
		b																														
		c																									35					
		d														30												S=0.020				
		e	1													319												S=0.034	'M' 5+45.80-0.00 LT			
		f																														
D-3	1	g		1																							S=0.034	'M' 8+70.00-0.00 LT				
		h													296																	
D-4	1	i	1																							30						
		j																									S=0.030	'M' 11+70.00-0.00 LT				
D-5	1	k													157																	
		l	1													345											S=0.023	'M' 13+31.62-0.00 LT				
D-6	1	m																														
		n		1												252												S=0.010	'M' 16+80.76-0.00 LT			
D-7	1	o																														
		p	1													92																
		q																										S=0.010	'M' 19+37.00-0.00 LT			
D-8	1	r	1																													
		s														131																
		t																										S=0.010	'M' 21+68.16-0.00 LT			
D-9	2	u											106																			
		v		1																												
		w																	2.5													
D-10	3	x			1																							S=0.020	'M' 11+69.44-31.53 LT			
		y											26									26										
		z																			4											
D-10	4	aa																														
		ab																														
		ac																										S=0.040	'M' 12+66.00-33.00 LT			
D-10	4	ad											94																			
		ae		1																												
D-10	4	af																														
		ag																														
D-10	4	ah																														
		ai												17																		
SHEET TOTAL			6	4	1							243			1,622		1	2.5	4	1	26	2				116	35					

**DRAINAGE QUANTITIES
SCALE : NONE**



PREPARED UNDER THE SUPERVISION OF :
[Signature]
 REGISTERED CIVIL ENGINEER
 DATE: 4/18/23

DESIGNED: DWH
 DRAWN: SGM
 CHECKED: DWH
 DATE: 03/29/23
 ROAD NUMBER: 009



**COUNTY OF EL DORADO
DEPARTMENT OF TRANSPORTATION**

**ENTERPRISE DR AND INDUSTRIAL DR
INTERSECTION IMPROVEMENTS**

SHEET
D-15
 36 OF 66
 CONTRACT NO.
6286

REVISION	NUMBER	DATE	DESCRIPTION	BY

ORIGINAL SCALE IS IN INCHES
 Drawing name: Z:\Civil_3D_Projects\73366 Enterprise-Industrial\CADD_Files\Sheets\0-Sheets.dwg Layout Tab: D-16 Apr 10, 2023 1:59pm smevey
 FOR REDUCED PLANS

DRAINAGE PLAN SHEET NO.	DRAINAGE SYSTEM NO.	DRAINAGE UNIT	60" SDMH	48" SDMH	DI (36" X 48")	DI (TYPE G0)	DI (TYPE G1)	36" OCPI			12" PLASTIC PIPE	12" REINFORCED CONCRETE PIPE	18" PLASTIC PIPE		30" PLASTIC PIPE	12" FES (STEEL)	18" FES (STEEL)	GRADED LINE DRAIN		HMA DITCH	PCC OVERSIDE DRAIN	RECONSTRUCT DI	ABANDON 18" CMP	REMOVE DI	REMOVE 8" CMP	REMOVE 12" CMP	REMOVE 18" CMP	REMOVE 30" CMP	DESCRIPTION	STATION	DRAINAGE UNIT	DRAINAGE SYSTEM NO.	DRAINAGE PLAN SHEET NO.	
D-11	5	a	EA	EA	EA	EA	EA	EA			LF	LF	LF		LF	EA	EA	LF			CY	CY	EA	LF	EA	LF	LF	LF						
		b				1						4																	S=0.040		a	5	D-11	
		c											101																S=0.010	'E' 4+42.03-15.50 RT	b			
		d				1																							S=0.010	'E' 5+42.97-34.50 RT	c			
		e												44															S=0.010		d			
a																								25					a					
D-11	7	a														1																a	7	D-11
		b										46																	S=0.010	'E' 2+26.22-15.17 LT	b			
		c															1														c			
D-12	8	a				1																										a	8	D-12
		b											19																S=0.050	'M' 13+31.62-23.00 LT	b			
D-12	9	a					1																									a	9	D-12
		b											23																S=0.020	'M' 19+37.00-25.50 RT	b			
D-12	10	a				1																										a	10	D-12
		b											30																	S=0.010	'M' 20+33.12-34.02 LT LT	b		
		c											23																	S=0.020		c		
		d						1																							'M' 20+33.55-26.00 RT	d		
D-13	11	a						1																								a	11	D-13
		b					1						46																	S=0.010	'I' 3+50.00-40.40 LT	b		
		c																													'M' 21+68.93-30.36 LT	c		
		d											26																S=0.010		d			
D-13	12	a																	40													a	12	D-13
		b																													'M' 22+91.83-26.00 RT	b		
		c					1						26																S=0.010		c			
D-14	13	a														1											50					a	13	D-14
		b																													'I' 2+15.67-18.06 LT	b		
		c											33																	S=0.006		c		
		d															1														'I' 2+46.88-23.63 LT	d		
D-14	14	a																									50					a	14	D-14
		b																													'I' 3+00.84-32.03 LT	b		
		c											33																	S=0.006		c		
		d															1														'I' 3+33.64-35.69 LT	d		
SHEET TOTAL						5	3	1			30	112	312			6		40								25	100							
GRAND TOTAL			6	4	1	5	3	1			30	112	555		1,622	6	1	40			2.5	4	1	26	2	25	100	116	35					

**DRAINAGE QUANTITIES
SCALE : NONE**



PREPARED UNDER THE SUPERVISION OF :

 REGISTERED CIVIL ENGINEER
 DATE: 4/18/23

DESIGNED: DWH
 DRAWN: SGM
 CHECKED: DWH
 DATE: 03/29/23
 ROAD NUMBER: 009



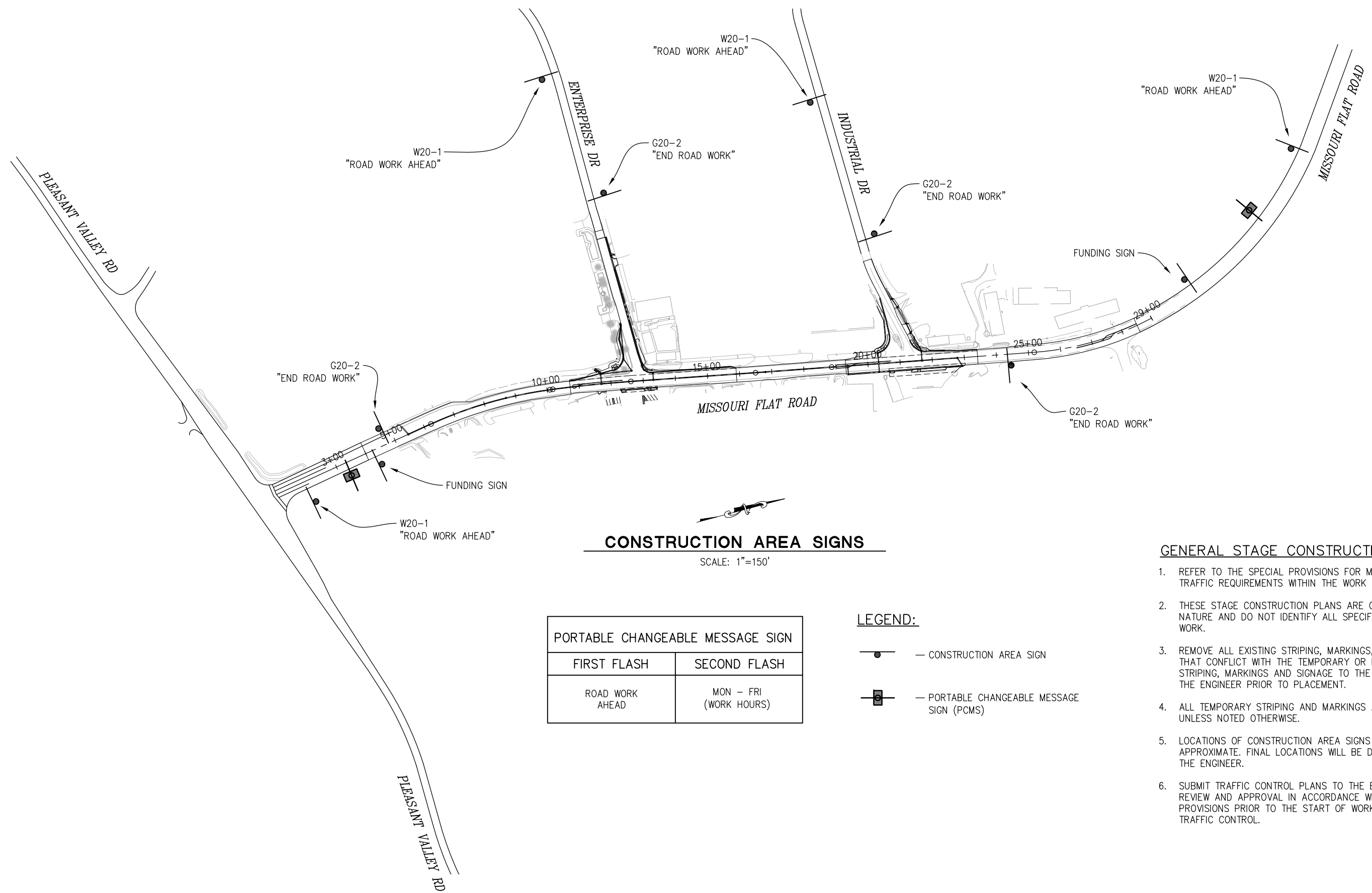
**COUNTY OF EL DORADO
DEPARTMENT OF TRANSPORTATION**

**ENTERPRISE DR AND INDUSTRIAL DR
INTERSECTION IMPROVEMENTS**

SHEET
D-16
 37 OF 66
 CONTRACT NO.
6286

REVISION	NUMBER	DATE	DESCRIPTION	BY

ORIGINAL SCALE IS IN INCHES
 Drawing name: Z:\Civil 3D Projects\73365 Enterprise-Industrial\CADD Files\Sheets\SC-Sheets.dwg Layout Tab: SC-1 Apr 20, 2023 1:43pm Dharrington
 FOR REDUCED PLANS
 REVISION



CONSTRUCTION AREA SIGNS

SCALE: 1"=150'

PORTABLE CHANGEABLE MESSAGE SIGN	
FIRST FLASH	SECOND FLASH
ROAD WORK AHEAD	MON - FRI (WORK HOURS)

LEGEND:

- CONSTRUCTION AREA SIGN
- PORTABLE CHANGEABLE MESSAGE SIGN (PCMS)

GENERAL STAGE CONSTRUCTION NOTES:

1. REFER TO THE SPECIAL PROVISIONS FOR MAINTAINING TRAFFIC REQUIREMENTS WITHIN THE WORK AREA.
2. THESE STAGE CONSTRUCTION PLANS ARE GENERAL IN NATURE AND DO NOT IDENTIFY ALL SPECIFIC ITEMS OF WORK.
3. REMOVE ALL EXISTING STRIPING, MARKINGS, AND SIGNAGE THAT CONFLICT WITH THE TEMPORARY OR PERMANENT STRIPING, MARKINGS AND SIGNAGE TO THE SATISFACTION OF THE ENGINEER PRIOR TO PLACEMENT.
4. ALL TEMPORARY STRIPING AND MARKINGS ARE TO BE PAINT UNLESS NOTED OTHERWISE.
5. LOCATIONS OF CONSTRUCTION AREA SIGNS ARE APPROXIMATE. FINAL LOCATIONS WILL BE DETERMINED BY THE ENGINEER.
6. SUBMIT TRAFFIC CONTROL PLANS TO THE ENGINEER FOR REVIEW AND APPROVAL IN ACCORDANCE WITH THE SPECIAL PROVISIONS PRIOR TO THE START OF WORK REQUIRING TRAFFIC CONTROL.

**STAGE CONSTRUCTION
CONSTRUCTION AREA SIGNS
SCALE : AS SHOWN**



PREPARED UNDER THE SUPERVISION OF :

 REGISTERED CIVIL ENGINEER
 DATE: 4/18/23

DESIGNED: DWH
 DRAWN: SGM
 CHECKED: DWH
 DATE: 03/29/23
 ROAD NUMBER: 009



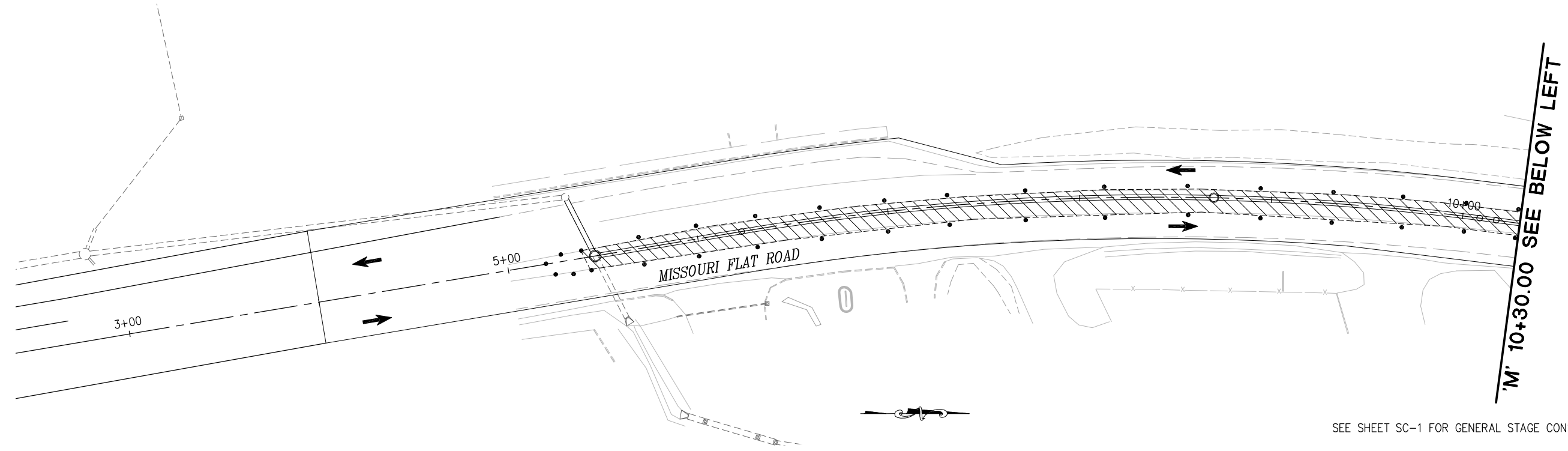
**COUNTY OF EL DORADO
DEPARTMENT OF TRANSPORTATION**

**ENTERPRISE DR AND INDUSTRIAL DR
INTERSECTION IMPROVEMENTS**

SHEET
SC-1
 38 OF 66
 CONTRACT NO.
6286

NUMBER	DATE	DESCRIPTION	BY

ORIGINAL SCALE IS IN INCHES
 Drawing name: Z:\Civil 3D Projects\73365 73366 Enterprise-Industrial\CADD Files\Sheets\SC-Sheets.dwg Layout Tab: SC-2 Apr 20, 2023 1:43pm Dharrington
 FOR REDUCED PLANS



- LEGEND:**
- WORK AREA
 - DIRECTION OF TRAFFIC
 - PORTABLE DELINEATOR

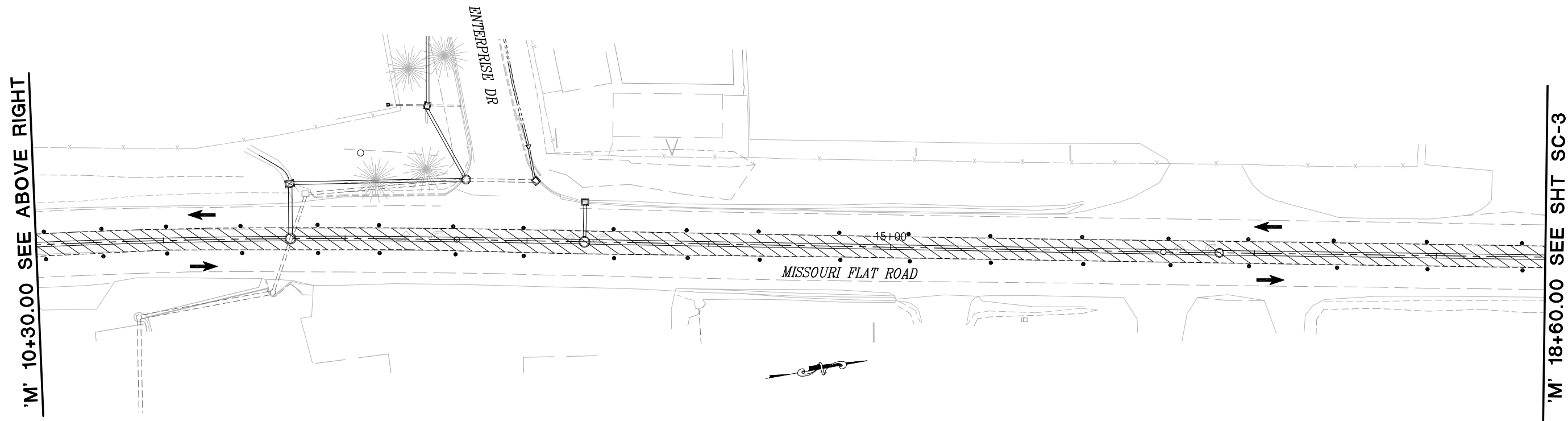
SEE SHEET SC-1 FOR GENERAL STAGE CONSTRUCTION NOTES.

NOTES (THIS SHEET):

1. STAGE 1 IS INTENDED TO CONSTRUCT:
 - STORM DRAIN SYSTEMS ALONG CENTER OF MISSOURI FLAT ROAD
 - CENTER MEDIAN AND RELATED SIGNAGE AT CHINA GARDEN ROAD INTERSECTION

STAGE 1 CONSTRUCTION

SCALE: 1"=30'



STAGE 1 CONSTRUCTION

SCALE: 1"=30'

STAGE 1 CONSTRUCTION
SCALE : AS SHOWN

REVISION	NUMBER	DATE	DESCRIPTION	BY



PREPARED UNDER THE SUPERVISION OF :

 REGISTERED CIVIL ENGINEER
 DATE: 4/18/23

DESIGNED: DWH
 DRAWN: SGM
 CHECKED: DWH
 DATE: 03/29/23
 ROAD NUMBER: 009



COUNTY OF EL DORADO
DEPARTMENT OF TRANSPORTATION

ENTERPRISE DR AND INDUSTRIAL DR
INTERSECTION IMPROVEMENTS

SHEET
SC-2
39 OF 66
CONTRACT NO.
6286

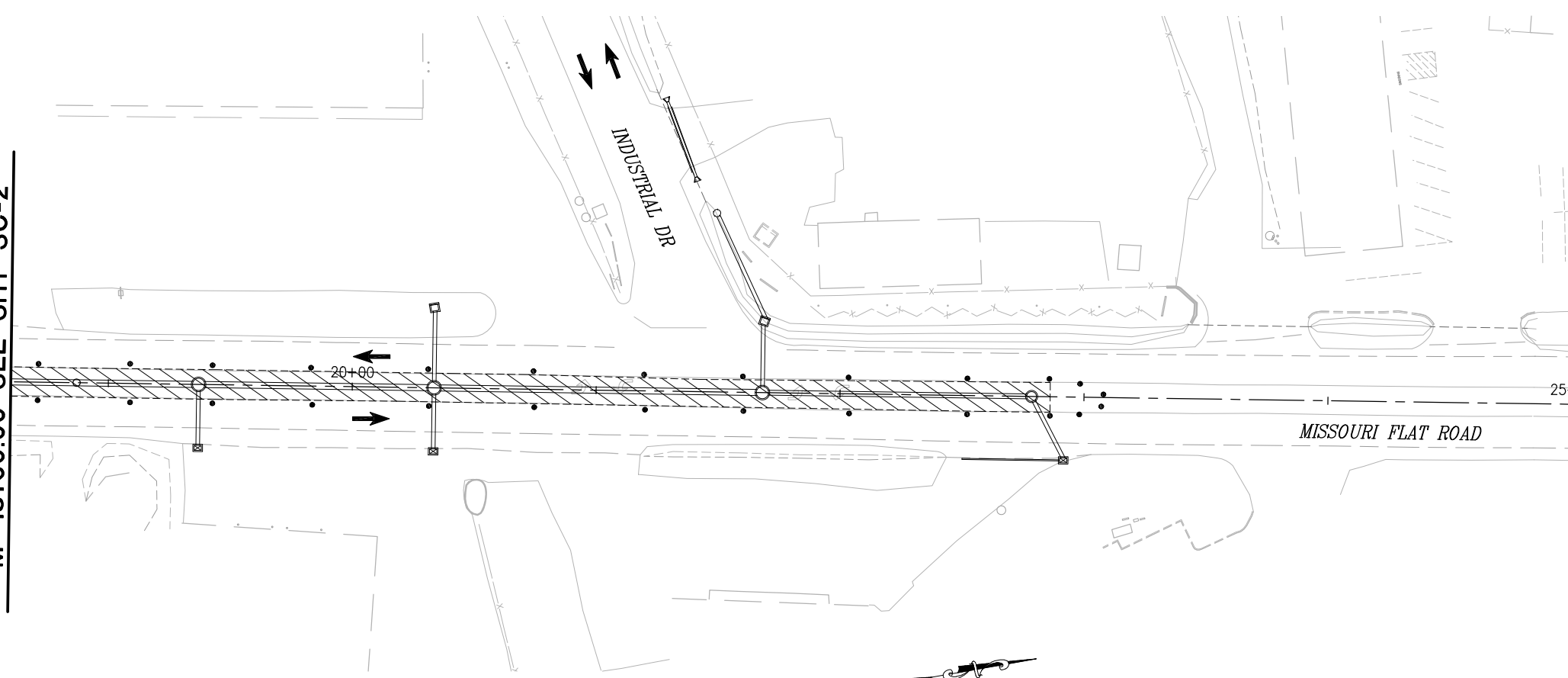
ORIGINAL SCALE IS IN INCHES
 Drawing name: Z:\Civil 3D Projects\73365 Enterprise-Industrial\CADD Files\Sheets\SC-Sheets.dwg Layout Tab: SC-3 Apr 20, 2023 1:44pm Dharrington
 FOR REDUCED PLANS
 REVISION

'M' 18+60.00 SEE SHT SC-2

'M' 25+00.00 SEE BELOW LEFT

LEGEND:

- WORK AREA
- DIRECTION OF TRAFFIC
- PORTABLE DELINEATOR



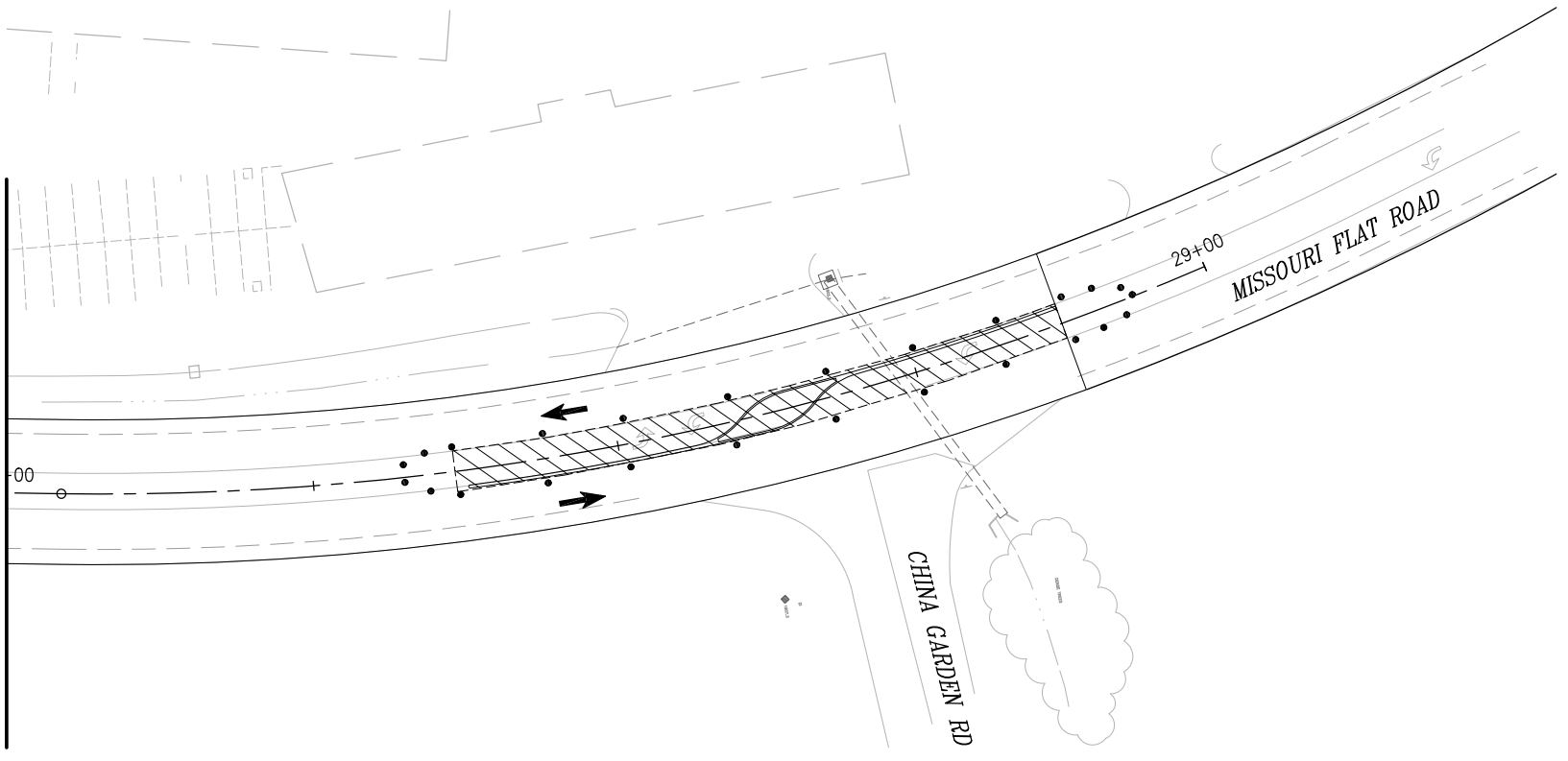
STAGE 1 CONSTRUCTION
SCALE: 1"=30'

SEE SHEET SC-1 FOR GENERAL STAGE CONSTRUCTION NOTES.

NOTES (THIS SHEET):

1. STAGE 1 IS INTENDED TO CONSTRUCT:
 - STORM DRAIN SYSTEMS ALONG CENTER OF MISSOURI FLAT ROAD
 - CENTER MEDIAN AND RELATED SIGNAGE AT CHINA GARDEN ROAD INTERSECTION

'M' 25+00.00 SEE ABOVE RIGHT



STAGE 1 CONSTRUCTION
SCALE: 1"=30'

STAGE 1 CONSTRUCTION
SCALE : AS NOTED

NUMBER	DATE	DESCRIPTION	BY



PREPARED UNDER THE SUPERVISION OF :

 REGISTERED CIVIL ENGINEER
 DATE: 4/18/23

DESIGNED: DWH
 DRAWN: SGM
 CHECKED: DWH
 DATE: 03/29/23
 ROAD NUMBER: 009

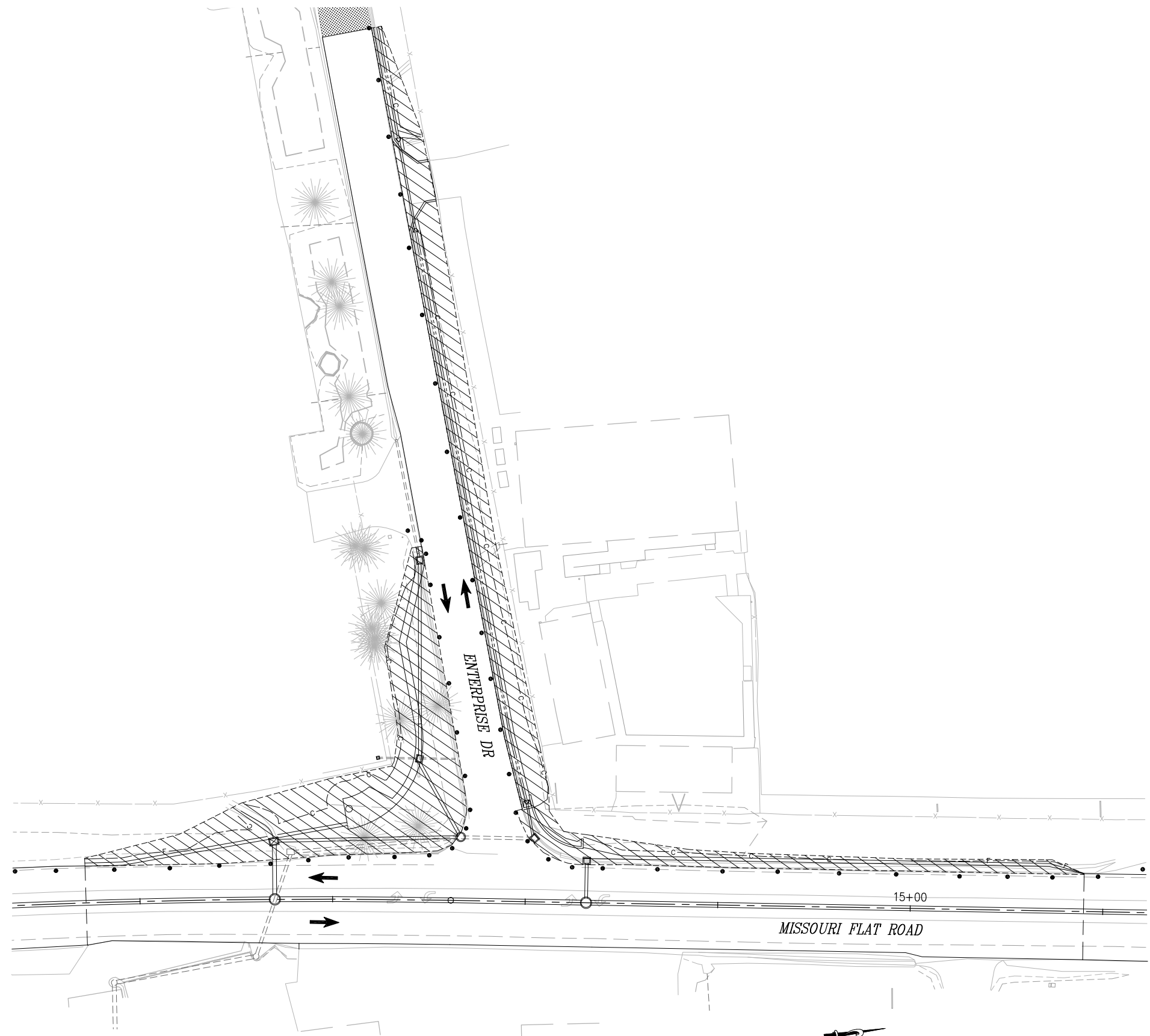


COUNTY OF EL DORADO
DEPARTMENT OF TRANSPORTATION

ENTERPRISE DR AND INDUSTRIAL DR
INTERSECTION IMPROVEMENTS

SHEET
SC-3
40 OF 66
CONTRACT NO.
6286

ORIGINAL SCALE IS IN INCHES
 Drawing name: Z:\Civil 3D Projects\73365 Enterprise-Industrial\CADD Files\Sheets\SC-Sheets.dwg Layout Tab: SC-4 Apr 20, 2023 1:44pm Dharrington
 FOR REDUCED PLANS
 2
 1
 0



LEGEND:

- WORK AREA
- DIRECTION OF TRAFFIC
- PORTABLE DELINEATOR

SEE SHEET SC-1 FOR GENERAL STAGE CONSTRUCTION NOTES.

NOTES (THIS SHEET):

1. STAGE 2 IS INTENDED TO CONSTRUCT:
 - ROADWAY WIDENING & DRAINAGE IMPROVEMENTS ON BOTH SHOULDERS OF ENTERPRISE DRIVE AND ALONG THE WESTERN SHOULDER OF MISSOURI FLAT ROAD NEAR THE ENTERPRISE DRIVE INTERSECTION
 - TRAFFIC SIGNAL FOUNDATIONS, POLES, AND CONDUITS

STAGE 2 CONSTRUCTION

SCALE: 1"=30'

**STAGE 2 CONSTRUCTION
SCALE : AS SHOWN**

REVISION	NUMBER	DATE	DESCRIPTION	BY



PREPARED UNDER THE SUPERVISION OF :

 REGISTERED CIVIL ENGINEER
 DATE: 4/18/23

DESIGNED: DWH
 DRAWN: SGM
 CHECKED: DWH
 DATE: 03/29/23
 ROAD NUMBER: 009



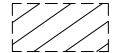


**COUNTY OF EL DORADO
DEPARTMENT OF TRANSPORTATION**

**ENTERPRISE DR AND INDUSTRIAL DR
INTERSECTION IMPROVEMENTS**

SHEET
SC-4
 41 OF 66
 CONTRACT NO.
6286

ORIGINAL SCALE IS IN INCHES
 Drawing name: Z:\Civil 3D Projects\73365 Enterprise-Industrial\CADD Files\Sheets\SC-Sheets.dwg Layout Tab: SC-5 Apr 20, 2023 1:44pm Dharrington
 FOR REDUCED PLANS
 REVISION

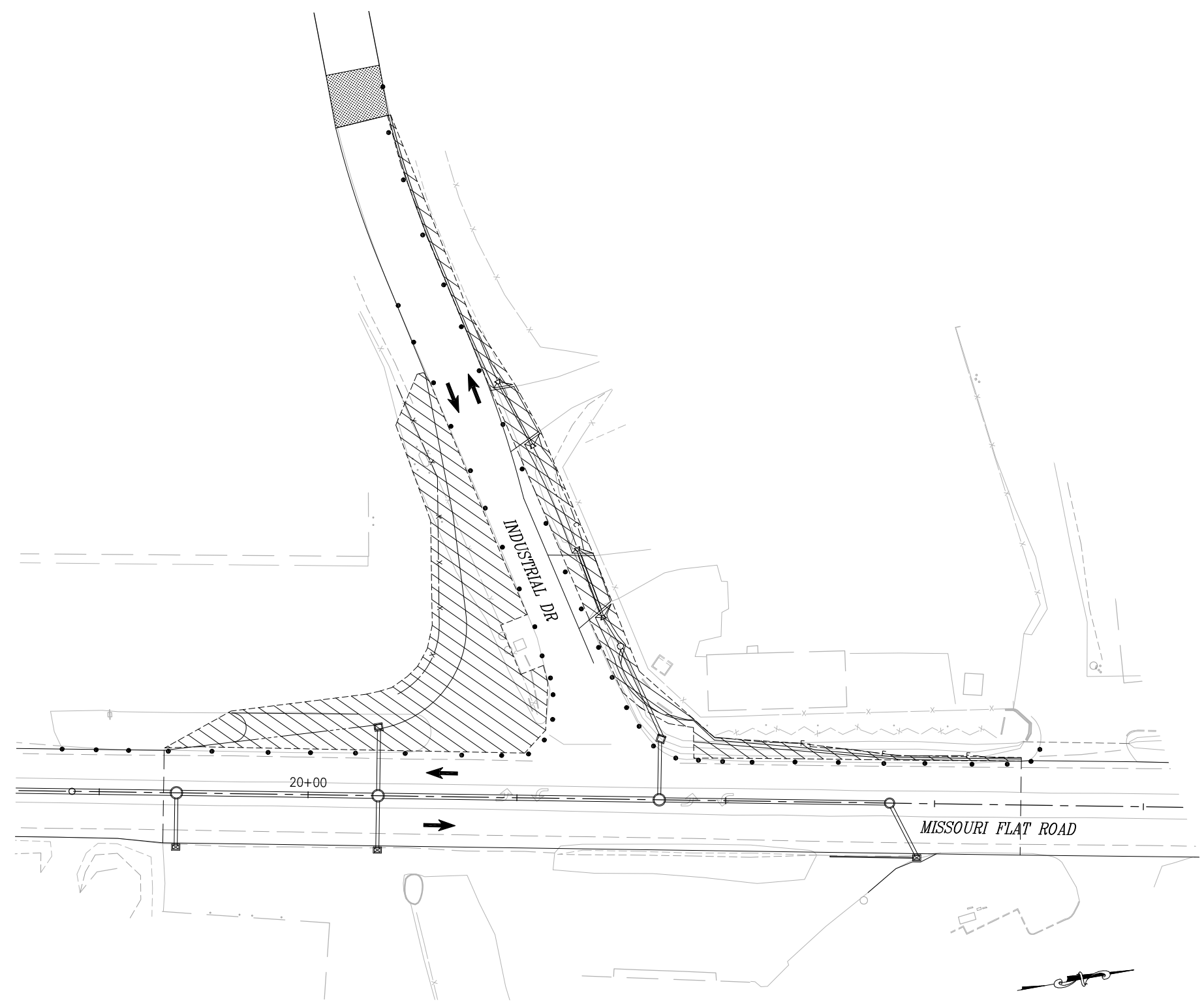
LEGEND:

-  — WORK AREA
-  — DIRECTION OF TRAFFIC
-  — PORTABLE DELINEATOR

SEE SHEET SC-1 FOR GENERAL STAGE CONSTRUCTION NOTES.

NOTES (THIS SHEET):

1. STAGE 2 IS INTENDED TO CONSTRUCT:
 - ROADWAY WIDENING & DRAINAGE IMPROVEMENTS ON BOTH SHOULDERS OF INDUSTRIAL DRIVE AND ALONG THE WESTERN SHOULDER OF MISSOURI FLAT ROAD NEAR THE INDUSTRIAL DRIVE INTERSECTION
 - TRAFFIC SIGNAL FOUNDATIONS, POLES, AND CONDUITS
2. TEMPORARY TRAFFIC SIGNAL SYSTEM TO REMAIN IN SERVICE
3. REMOVAL OF THE TEMPORARY SIGNAL SYSTEM POLES AND CONTROLLER/BBS CABINETS ARE NOT INCLUDED IN STAGE 2 CONSTRUCTION
4. IMPROVEMENTS AT THE NORTHWEST RETURN ARE NOT INCLUDED IN STAGE 2 CONSTRUCTION

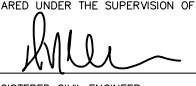


STAGE 2 CONSTRUCTION

SCALE: 1"=30'

**STAGE 2 CONSTRUCTION
SCALE : AS SHOWN**



PREPARED UNDER THE SUPERVISION OF :

 REGISTERED CIVIL ENGINEER
 DATE: 4/18/23

DESIGNED: DWH
 DRAWN: SGM
 CHECKED: DWH
 DATE: 03/29/23
 ROAD NUMBER: 009



**COUNTY OF EL DORADO
DEPARTMENT OF TRANSPORTATION**

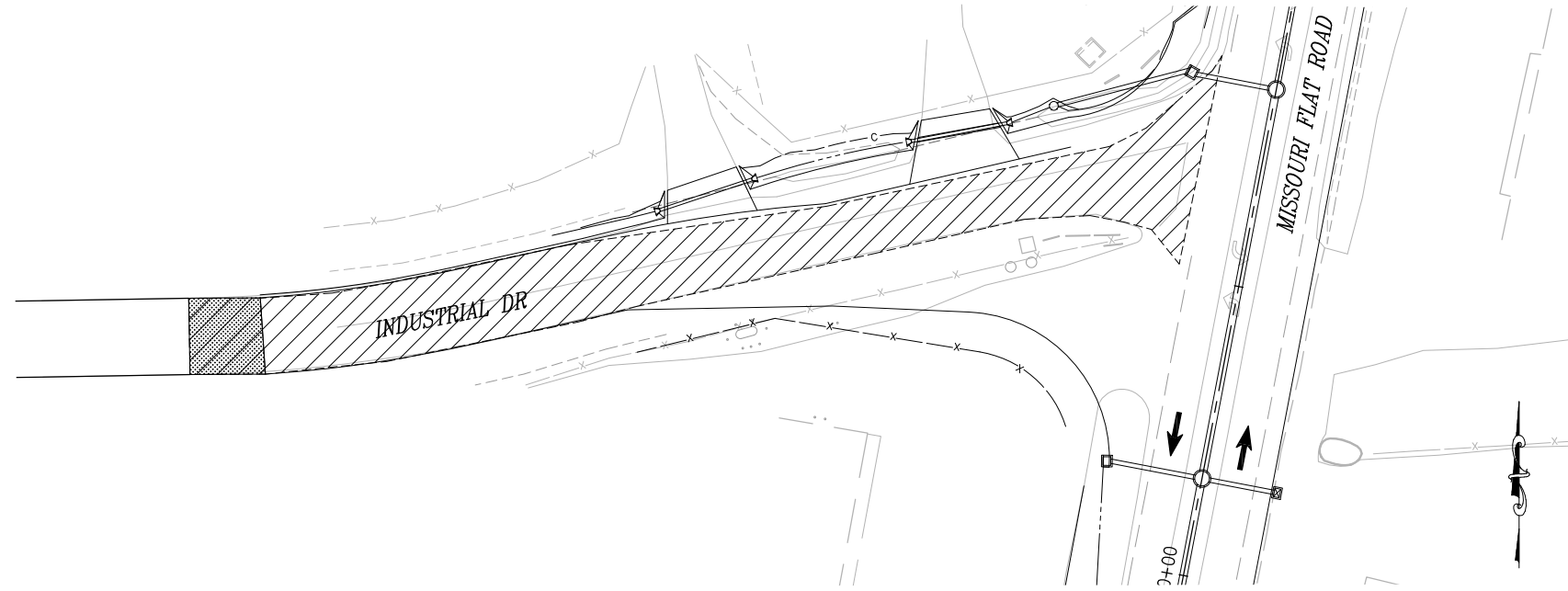
**ENTERPRISE DR AND INDUSTRIAL DR
INTERSECTION IMPROVEMENTS**

SHEET
SC-5
 42 OF 66
 CONTRACT NO.
6286

NUMBER	DATE	DESCRIPTION	BY

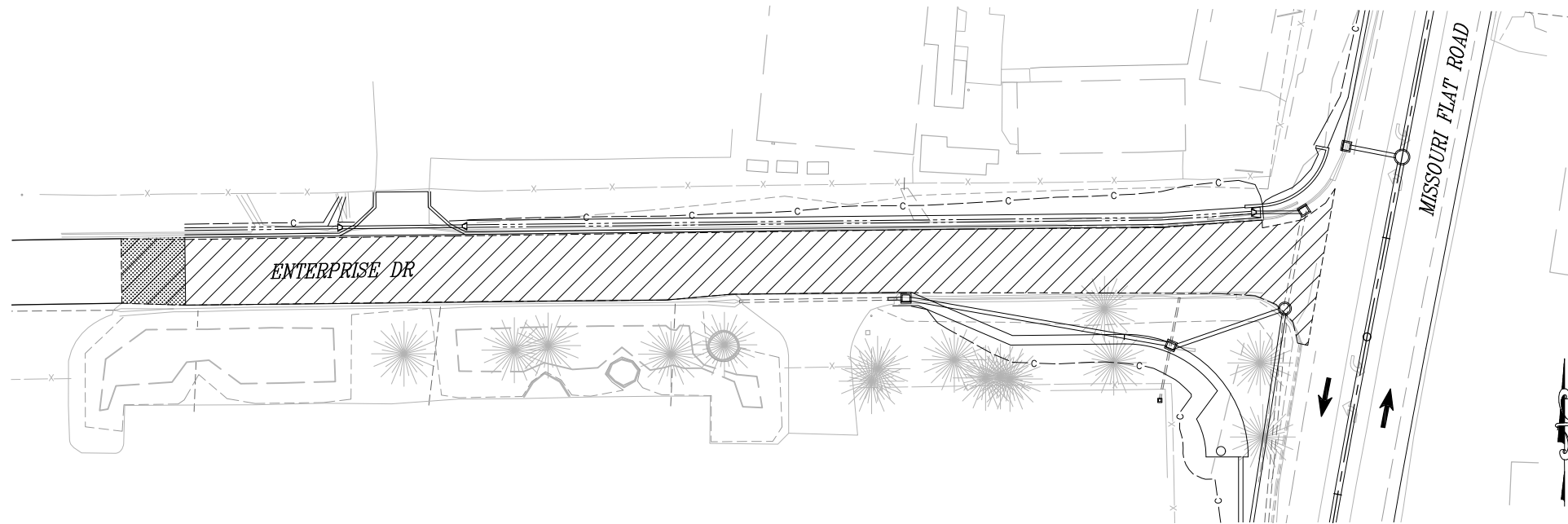
ORIGINAL SCALE IS IN INCHES
 Drawing name: Z:\Civil 3D\Projects\73365\73366 Enterprise-Industrial\CADD Files\Sheets\SC-Sheets.dwg Layout Tab: SC-6 Apr 20, 2023 1:45pm Dharrington
 FOR REDUCED PLANS

2
1
0



STAGE 3 CONSTRUCTION

SCALE: 1"=30'



STAGE 3 CONSTRUCTION

SCALE: 1"=30'

LEGEND:

- WORK AREA
- DIRECTION OF TRAFFIC
- PORTABLE DELINEATOR

SEE SHEET SC-1 FOR GENERAL STAGE CONSTRUCTION NOTES.

NOTES (THIS SHEET):

1. STAGE 3 IS INTENDED TO CONSTRUCT:
 - ROADWAY RECONSTRUCTION ALONG INDUSTRIAL DRIVE AND ENTERPRISE DRIVE OUTSIDE OF THE WIDENING LIMITS

**STAGE 3 CONSTRUCTION
SCALE : AS SHOWN**

REVISION	NUMBER	DATE	DESCRIPTION	BY



PREPARED UNDER THE SUPERVISION OF :

 REGISTERED CIVIL ENGINEER
 DATE: 4/18/23

DESIGNED: DWH
 DRAWN: SGM
 CHECKED: DWH
 DATE: 03/29/23
 ROAD NUMBER: 009

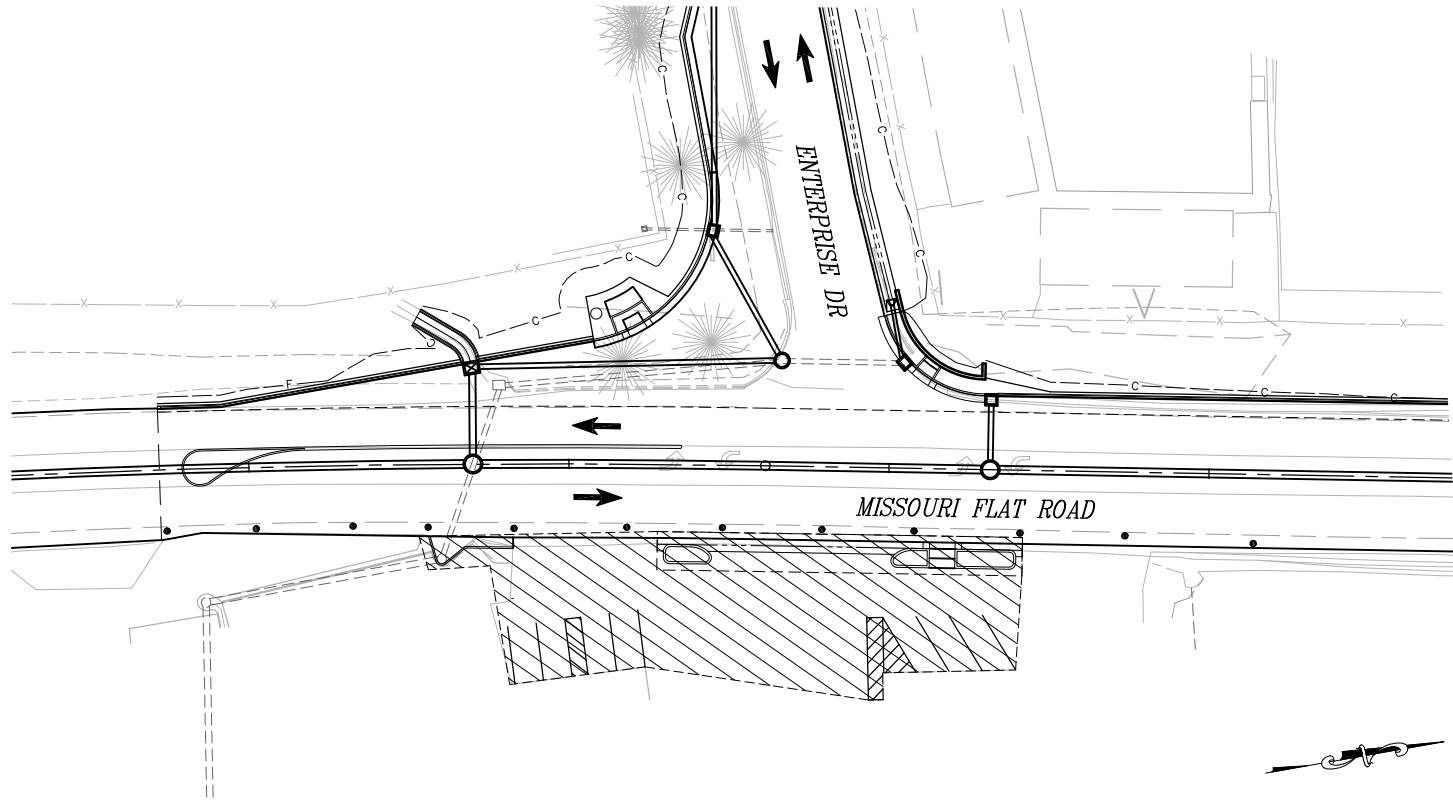


**COUNTY OF EL DORADO
 DEPARTMENT OF TRANSPORTATION**

**ENTERPRISE DR AND INDUSTRIAL DR
 INTERSECTION IMPROVEMENTS**

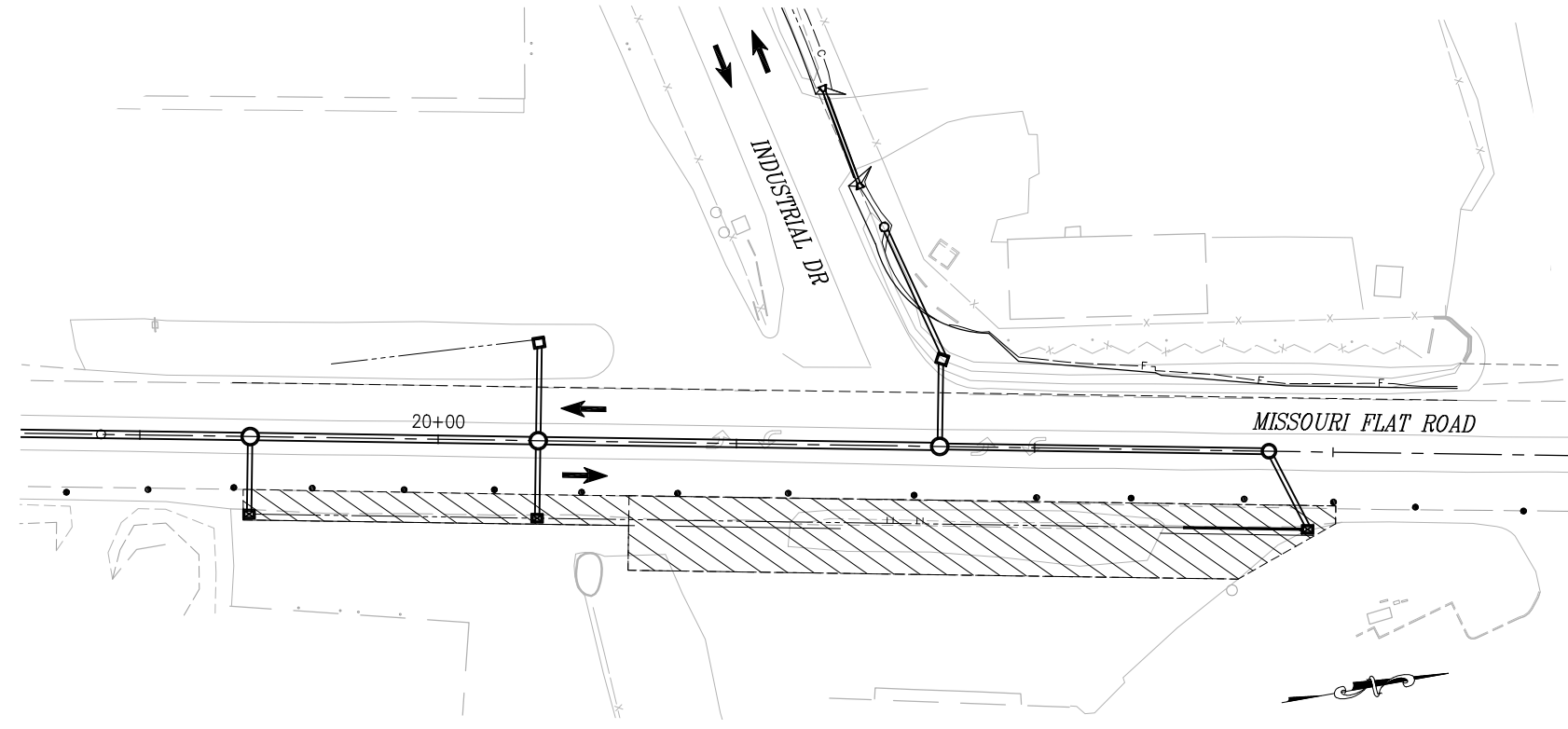
SHEET
SC-6
 43 OF 66
 CONTRACT NO.
6286

ORIGINAL SCALE IS IN INCHES
 Drawing name: Z:\Civil 3D Projects\73365 73366 Enterprise-Industrial\CADD Files\Sheets\SC-Sheets.dwg Layout Tab: SC-7 Apr 20, 2023 1:45pm Dharrington
 FOR REDUCED PLANS
 REVISION



STAGE 4 CONSTRUCTION

SCALE: 1"=30'



STAGE 4 CONSTRUCTION

SCALE: 1"=30'

LEGEND:

- WORK AREA
- DIRECTION OF TRAFFIC
- PORTABLE DELINEATOR

SEE SHEET SC-1 FOR GENERAL STAGE CONSTRUCTION NOTES.

NOTES (THIS SHEET):

1. STAGE 4 IS INTENDED TO CONSTRUCT:
 - ROADWAY WIDENING AND DRAINAGE IMPROVEMENTS ALONG THE EASTERN SHOULDER OF MISSOURI FLAT ROAD AT THE ENTERPRISE AND INDUSTRIAL DRIVE INTERSECTIONS
 - TRAFFIC SIGNAL FOUNDATIONS, POLES, AND CONDUITS
 - IMPROVEMENTS AND STRIPING AT TRUE VALUE HARDWARE AND IDLE WHEELS RV DRIVEWAYS / PARKING AREAS

**STAGE 4 CONSTRUCTION
SCALE : AS SHOWN**



PREPARED UNDER THE SUPERVISION OF :

 REGISTERED CIVIL ENGINEER
 DATE: 4/18/23

DESIGNED: DWH
 DRAWN: SGM
 CHECKED: DWH
 DATE: 03/29/23
 ROAD NUMBER: 009



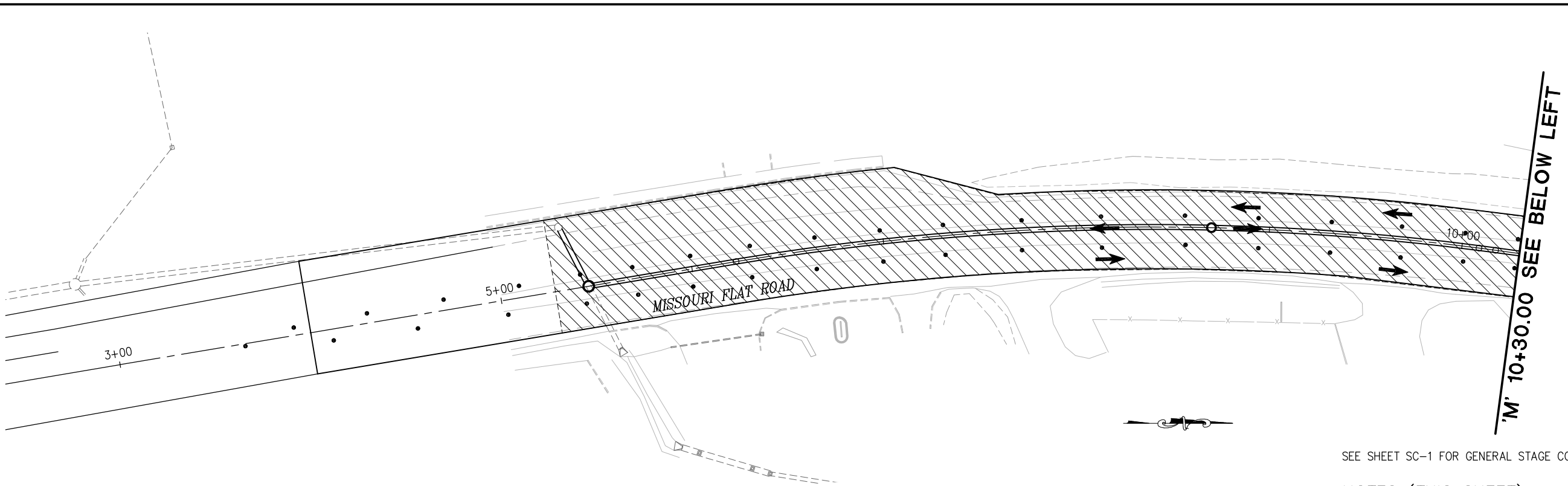
**COUNTY OF EL DORADO
DEPARTMENT OF TRANSPORTATION**

**ENTERPRISE DR AND INDUSTRIAL DR
INTERSECTION IMPROVEMENTS**

SHEET
SC-7
 44 OF 66
 CONTRACT NO.
6286

NUMBER	DATE	DESCRIPTION	BY

ORIGINAL SCALE IS IN INCHES
 Drawing name: Z:\Civil 3D Projects\73365 73366 Enterprise-Industrial\CADD Files\Sheets\SC-Sheets.dwg Layout Tab: SC-8 Apr 20, 2023 1:45pm Dharrington
 FOR REDUCED PLANS



- LEGEND:**
- WORK AREA
 - DIRECTION OF TRAFFIC
 - PORTABLE DELINEATOR

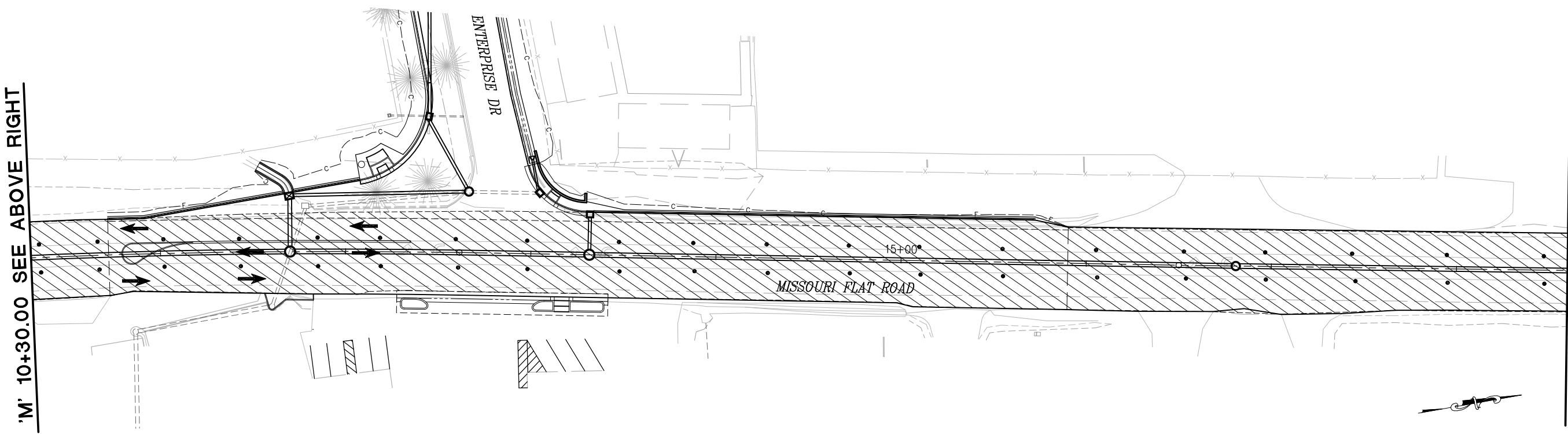
SEE SHEET SC-1 FOR GENERAL STAGE CONSTRUCTION NOTES.

NOTES (THIS SHEET):

1. STAGE 5 IS INTENDED TO CONSTRUCT:
 - RAISED MEDIAN ISLANDS
 - COLD PLANE AND HMA OVERLAY ALONG MISSOURI FLAT ROAD

STAGE 5 CONSTRUCTION

SCALE: 1"=30'



STAGE 5 CONSTRUCTION

SCALE: 1"=30'

STAGE 5 CONSTRUCTION
SCALE : AS SHOWN

REVISION	NUMBER	DATE	DESCRIPTION	BY



PREPARED UNDER THE SUPERVISION OF :

 REGISTERED CIVIL ENGINEER
 DATE: 4/18/23

DESIGNED: DWH
 DRAWN: SGM
 CHECKED: DWH
 DATE: 03/29/23
 ROAD NUMBER: 009



COUNTY OF EL DORADO
DEPARTMENT OF TRANSPORTATION

ENTERPRISE DR AND INDUSTRIAL DR
INTERSECTION IMPROVEMENTS

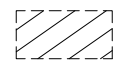


SHEET
SC-8
 45 OF 66
 CONTRACT NO.
6286

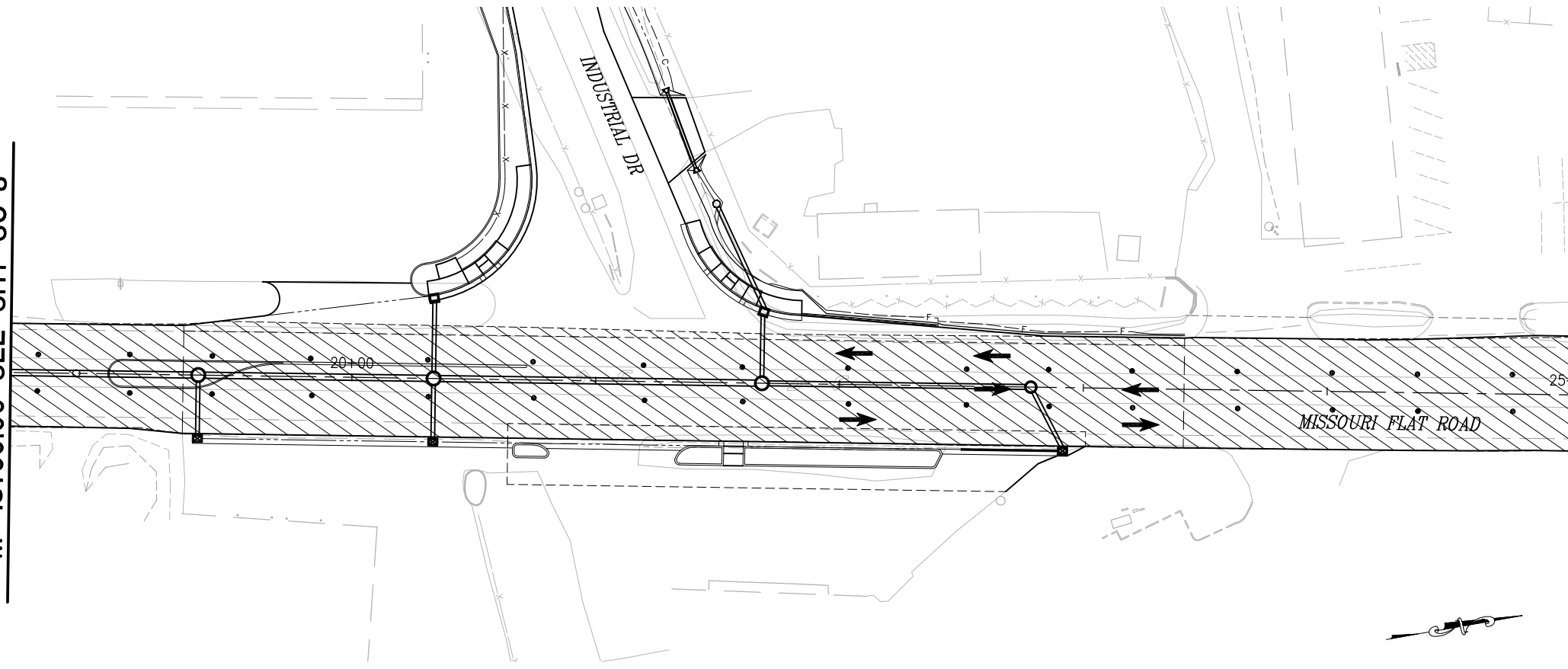
ORIGINAL SCALE IS IN INCHES
 Drawing name: Z:\Civil 3D Projects\73365 Enterprise-Industrial\CADD Files\Sheets\SC-Sheets.dwg Layout Tab: SC-9 Apr 20, 2023 1:45pm Dharrington
 FOR REDUCED PLANS

'M' 18+60.00 SEE SHT SC-8

'M' 25+00.00 SEE BELOW LEFT

LEGEND:

-  — WORK AREA
-  — DIRECTION OF TRAFFIC
-  — PORTABLE DELINEATOR



STAGE 5 CONSTRUCTION

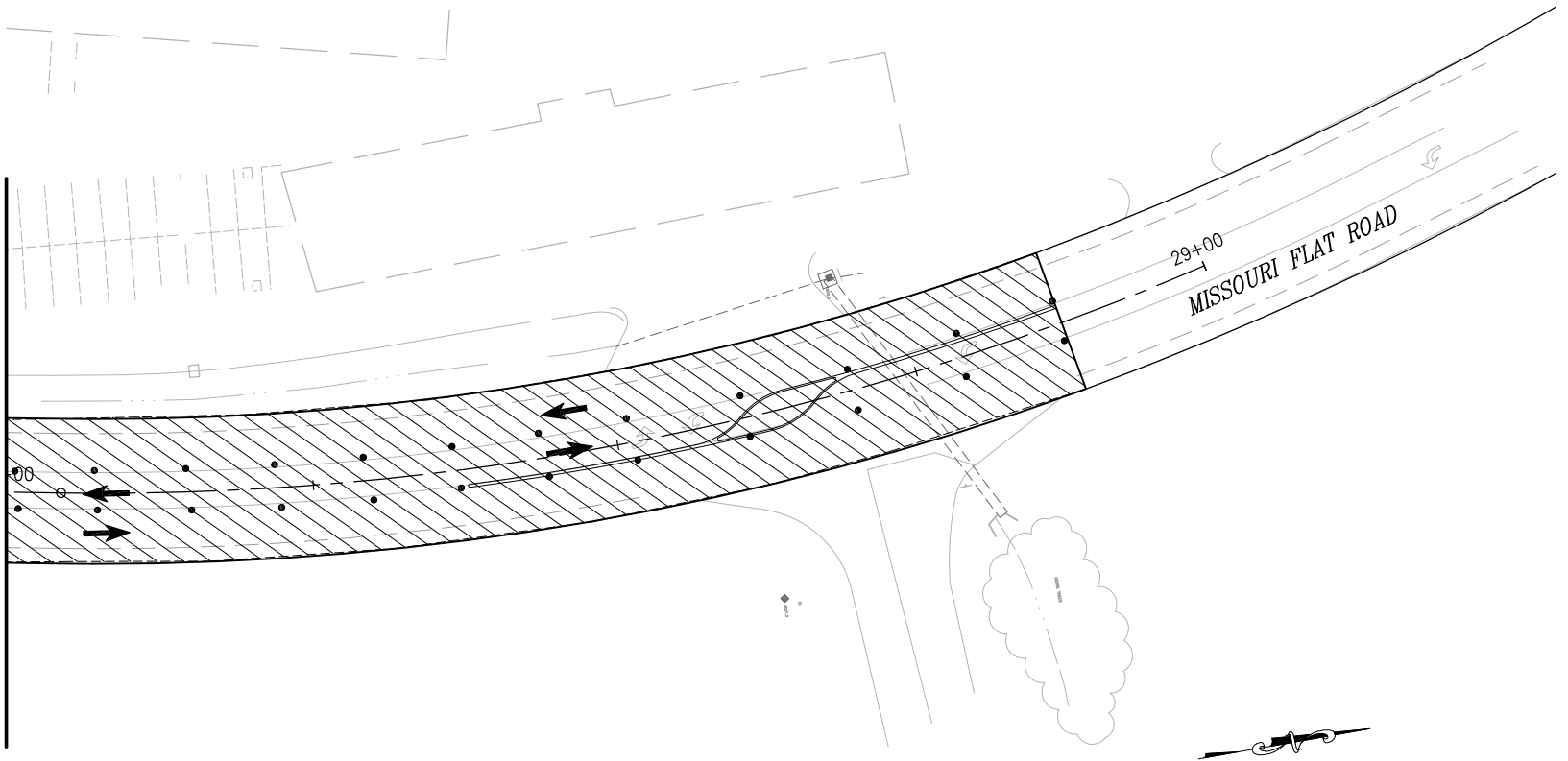
SCALE: 1"=30'

SEE SHEET SC-1 FOR GENERAL STAGE CONSTRUCTION NOTES.

NOTES (THIS SHEET):

1. STAGE 5 IS INTENDED TO CONSTRUCT:
 - RAISED MEDIAN ISLANDS
 - COLD PLANE AND HMA OVERLAY ALONG MISSOURI FLAT ROAD

'M' 25+00.00 SEE ABOVE RIGHT



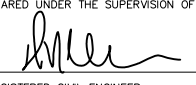
STAGE 5 CONSTRUCTION

SCALE: 1"=30'

STAGE 5 CONSTRUCTION
SCALE : AS SHOWN

REVISION	NUMBER	DATE	DESCRIPTION	BY



PREPARED UNDER THE SUPERVISION OF :

 REGISTERED CIVIL ENGINEER
 DATE: 4/18/23

DESIGNED: DWH
 DRAWN: SGM
 CHECKED: DWH
 DATE: 03/29/23
 ROAD NUMBER: 009

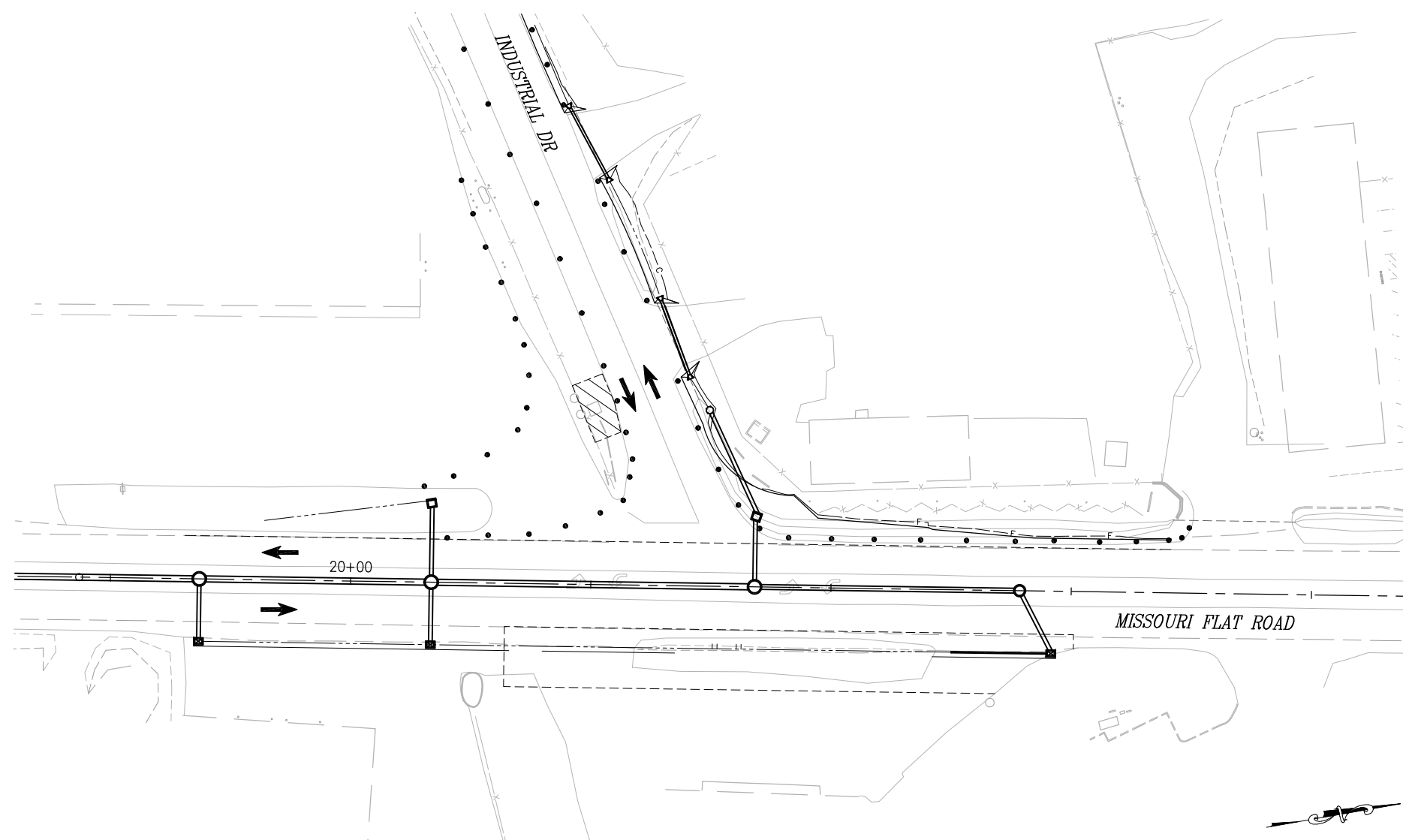


COUNTY OF EL DORADO
DEPARTMENT OF TRANSPORTATION

ENTERPRISE DR AND INDUSTRIAL DR
INTERSECTION IMPROVEMENTS

SHEET
SC-9
 46 OF 66
 CONTRACT NO.
6286

ORIGINAL SCALE IS IN INCHES
 Drawing name: Z:\Civil 3D Projects\73366 Enterprise-Industrial\CADD Files\Sheets\SC-Sheets.dwg Layout Tab: SC-10 Apr 20, 2023 1:46pm Dharrington
 FOR REDUCED PLANS
 2
 1
 0



LEGEND:

- WORK AREA
- DIRECTION OF TRAFFIC
- PORTABLE DELINEATOR

SEE SHEET SC-1 FOR GENERAL STAGE CONSTRUCTION NOTES.

NOTES (THIS SHEET):

1. STAGE 6 IS INTENDED TO CONSTRUCT:
 - REMOVAL OF THE TEMPORARY TRAFFIC SIGNAL SYSTEM
 - REMAINING ROADWAY CONSTRUCTION AT TEMPORARY TRAFFIC SIGNAL AREAS (CONTROLLER/BBS CABINETS, CONDUITS, PULL BOXES, ETC)
 - TURN-ON OF THE PERMANENT TRAFFIC SIGNALS AT ENTERPRISE AND INDUSTRIAL DRIVE INTERSECTIONS
2. PROVIDE NECESSARY TEMPORARY TRAFFIC DELINEATION AND/OR SIGNAGE DURING THE INTERIM PERIOD WITHOUT SIGNAL CONTROL (1 WEEK MAXIMUM)

STAGE 6 CONSTRUCTION

SCALE: 1"=30'

**STAGE 6 CONSTRUCTION
SCALE : AS SHOWN**

REVISION	NUMBER	DATE	DESCRIPTION	BY



PREPARED UNDER THE SUPERVISION OF :

 REGISTERED CIVIL ENGINEER
 DATE: 4/18/23

DESIGNED: DWH
 DRAWN: SGM
 CHECKED: DWH
 DATE: 03/29/23
 ROAD NUMBER: 009

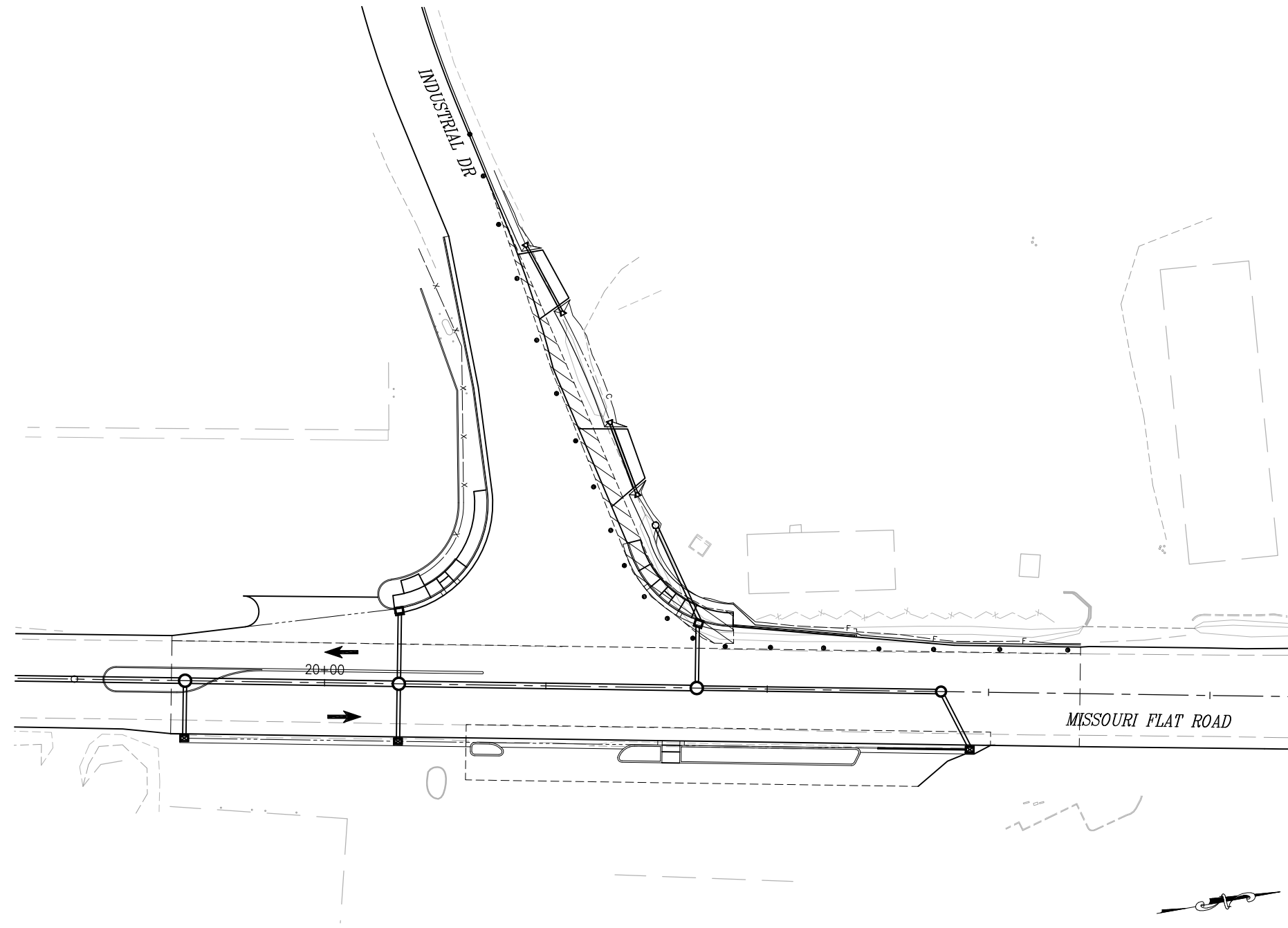


**COUNTY OF EL DORADO
DEPARTMENT OF TRANSPORTATION**

**ENTERPRISE DR AND INDUSTRIAL DR
INTERSECTION IMPROVEMENTS**

SHEET
SC-10
 47 OF 66
 CONTRACT NO.
6286

ORIGINAL SCALE IS IN INCHES
 Drawing name: Z:\Civil 3D Projects\73365 Enterprise-Industrial\CADD Files\Sheets\SC-Sheets.dwg Layout Tab: SC-11 Apr 20, 2023 1:46pm Dharrington
 FOR REDUCED PLANS
 2
 1
 0



- LEGEND:**
- WORK AREA
 - DIRECTION OF TRAFFIC
 - PORTABLE DELINEATOR

SEE SHEET SC-1 FOR GENERAL STAGE CONSTRUCTION NOTES.

- NOTES:**
1. STAGE 7 IS INTENDED TO CONSTRUCT:
 - REMAINING IMPROVEMENTS AT THE NORTHWEST RETURN AND NORTHERN EDGE/SHOULDER OF ENTERPRISE DRIVE
 - FINAL STRIPING, SIGNAGE, AND PAVEMENT MARKINGS NOT COMPLETED IN PREVIOUS STAGES

STAGE 7 CONSTRUCTION
SCALE: 1"=30'

STAGE 7 CONSTRUCTION
SCALE : AS SHOWN

REVISION	NUMBER	DATE	DESCRIPTION	BY



PREPARED UNDER THE SUPERVISION OF :

 REGISTERED CIVIL ENGINEER
 DATE: 4/18/23

DESIGNED: DWH
 DRAWN: SGM
 CHECKED: DWH
 DATE: 03/29/23
 ROAD NUMBER: 009



COUNTY OF EL DORADO
DEPARTMENT OF TRANSPORTATION

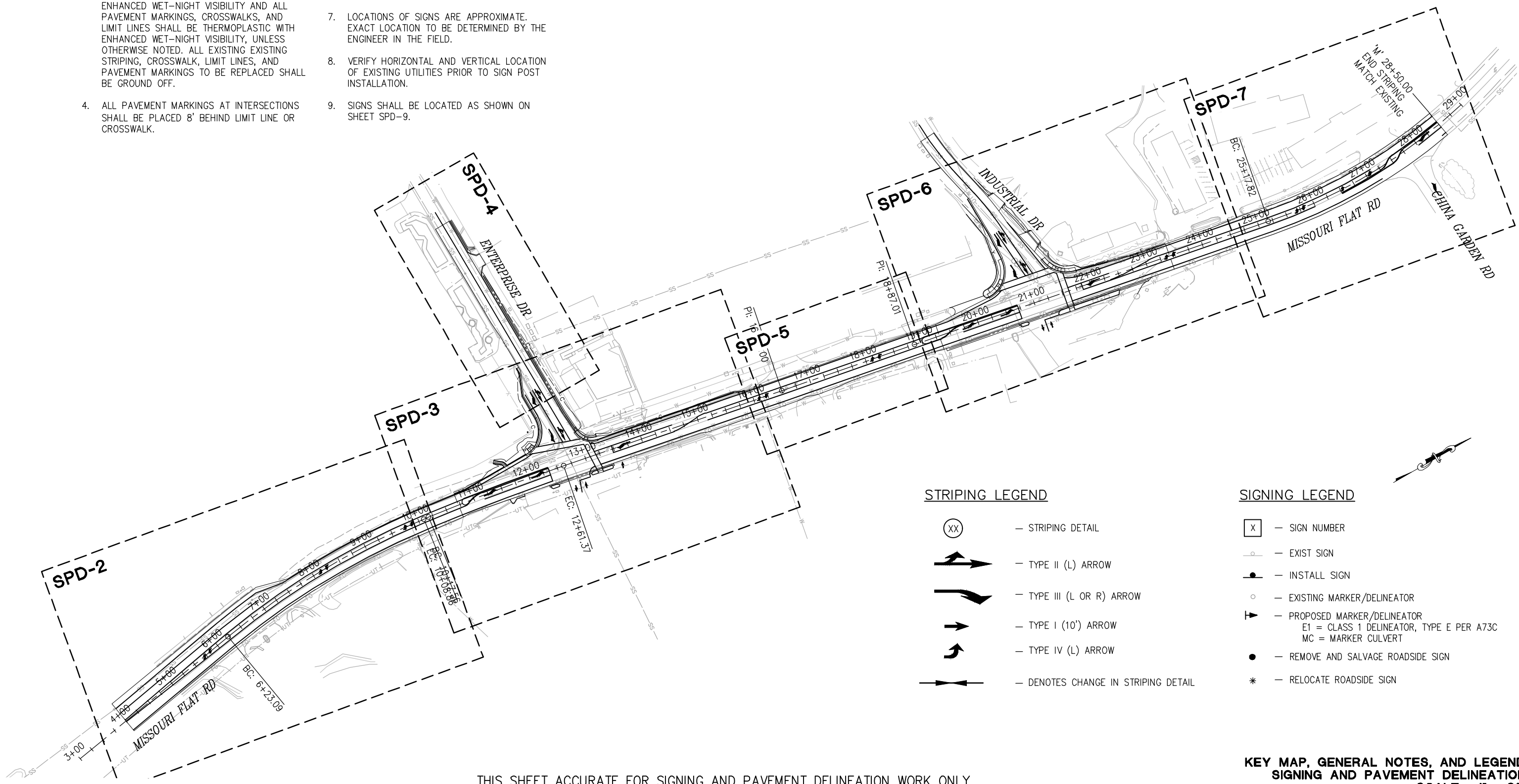
ENTERPRISE DR AND INDUSTRIAL DR
INTERSECTION IMPROVEMENTS

SHEET
SC-11
48 OF 66
CONTRACT NO.
6286

GENERAL NOTES

- THIS PLAN IS ACCURATE FOR SIGNING AND PAVEMENT DELINEATION ONLY. SEE "SC" SHEETS FOR CONSTRUCTION AREA SIGNS.
- ALL PAVEMENT MARKERS SHALL BE RETROREFLECTIVE-RECESSED PER RSP A20D.
- ALL STRIPING SHALL BE THERMOPLASTIC WITH ENHANCED WET-NIGHT VISIBILITY AND ALL PAVEMENT MARKINGS, CROSSWALKS, AND LIMIT LINES SHALL BE THERMOPLASTIC WITH ENHANCED WET-NIGHT VISIBILITY, UNLESS OTHERWISE NOTED. ALL EXISTING STRIPING, CROSSWALK, LIMIT LINES, AND PAVEMENT MARKINGS TO BE REPLACED SHALL BE GROUND OFF.
- ALL PAVEMENT MARKINGS AT INTERSECTIONS SHALL BE PLACED 8' BEHIND LIMIT LINE OR CROSSWALK.
- LIMIT LINE SIDE OF CROSSWALK STRIPING SHALL BE PLACED BY STATION AND OFFSET SHOWN ON PLANS. CROSSWALK STRIPING SHALL BE PER STD PLAN A24F AT 10' C-C. LIMIT LINES SHALL BE PER RSP A24G.
- ALL PAVEMENT MARKINGS ARE PER CALTRANS STANDARD PLANS.
- LOCATIONS OF SIGNS ARE APPROXIMATE. EXACT LOCATION TO BE DETERMINED BY THE ENGINEER IN THE FIELD.
- VERIFY HORIZONTAL AND VERTICAL LOCATION OF EXISTING UTILITIES PRIOR TO SIGN POST INSTALLATION.
- SIGNS SHALL BE LOCATED AS SHOWN ON SHEET SPD-9.
- ALL SIGN CODES ARE FEDERAL SIGN CODES UNLESS DESIGNATED AS CALIFORNIA SIGN CODES.
- EXISTING SIGNS ON METAL POSTS MUST BE RELOCATED ON NEW FOUNDATIONS. SEE SHEET SPD-9 FOR POST INSTALLATION DETAILS.

ORIGINAL SCALE IS IN INCHES
 Drawing name: Z:\Civil_3D\Projects\73365_73366 Enterprise-Industrial\CADD_Files\Sheets\SPD-Sheets.dwg Layout Tab: SPD-1 Apr 20, 2023 12:01pm smcvey
 FOR REDUCED PLANS
 2
 1
 0



STRIPING LEGEND

- (XX) — STRIPING DETAIL
- — TYPE II (L) ARROW
- ↪ — TYPE III (L OR R) ARROW
- — TYPE I (10') ARROW
- ↪ — TYPE IV (L) ARROW
- ↔ — DENOTES CHANGE IN STRIPING DETAIL

SIGNING LEGEND

- [X] — SIGN NUMBER
- — EXIST SIGN
- — INSTALL SIGN
- — EXISTING MARKER/DELINEATOR
- ▶ — PROPOSED MARKER/DELINEATOR
E1 = CLASS 1 DELINEATOR, TYPE E PER A73C
MC = MARKER CULVERT
- — REMOVE AND SALVAGE ROADSIDE SIGN
- * — RELOCATE ROADSIDE SIGN

THIS SHEET ACCURATE FOR SIGNING AND PAVEMENT DELINEATION WORK ONLY

**KEY MAP, GENERAL NOTES, AND LEGEND
SIGNING AND PAVEMENT DELINEATION
SCALE : 1" = 80'**

REVISION	NUMBER	DATE	DESCRIPTION	BY



PREPARED UNDER THE SUPERVISION OF :

 REGISTERED CIVIL ENGINEER
 DATE: 4/18/23

DESIGNED: DWH
 DRAWN: SGM
 CHECKED: DWH
 DATE: 03/29/23
 ROAD NUMBER: 009



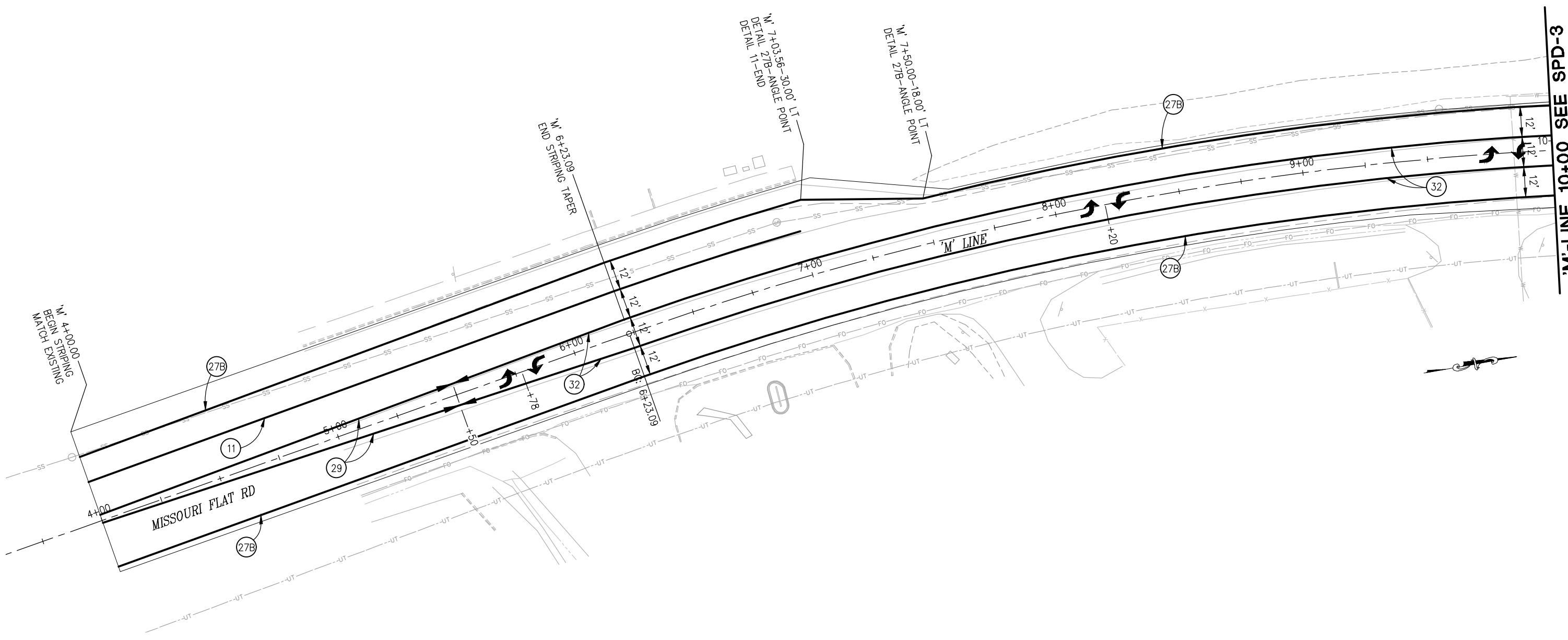
**COUNTY OF EL DORADO
DEPARTMENT OF TRANSPORTATION**

**ENTERPRISE DR AND INDUSTRIAL DR
INTERSECTION IMPROVEMENTS**

SHEET
SPD-1
 49 OF 66
 CONTRACT NO
6286

ORIGINAL SCALE IS IN INCHES
Drawing name: Z:\Civil_3D\Projects\73365_73366 Enterprise-Industrial\CADD Files\Sheets\SPD-Sheets.dwg Layout Tab: SPD-2 Apr 20, 2023 12:01pm smcvey

FOR REDUCED PLANS
2
1
0



'M'-LINE 10+00 SEE SPD-3

THIS SHEET ACCURATE FOR SIGNING AND PAVEMENT DELINEATION WORK ONLY

SIGNING AND PAVEMENT DELINEATION
SCALE : 1" = 20'

REVISION	NUMBER	DATE	DESCRIPTION	BY



PREPARED UNDER THE SUPERVISION OF :

REGISTERED CIVIL ENGINEER
DATE: 4/18/23

DESIGNED: DWH
DRAWN: SGM
CHECKED: DWH
DATE: 03/29/23
ROAD NUMBER: 009

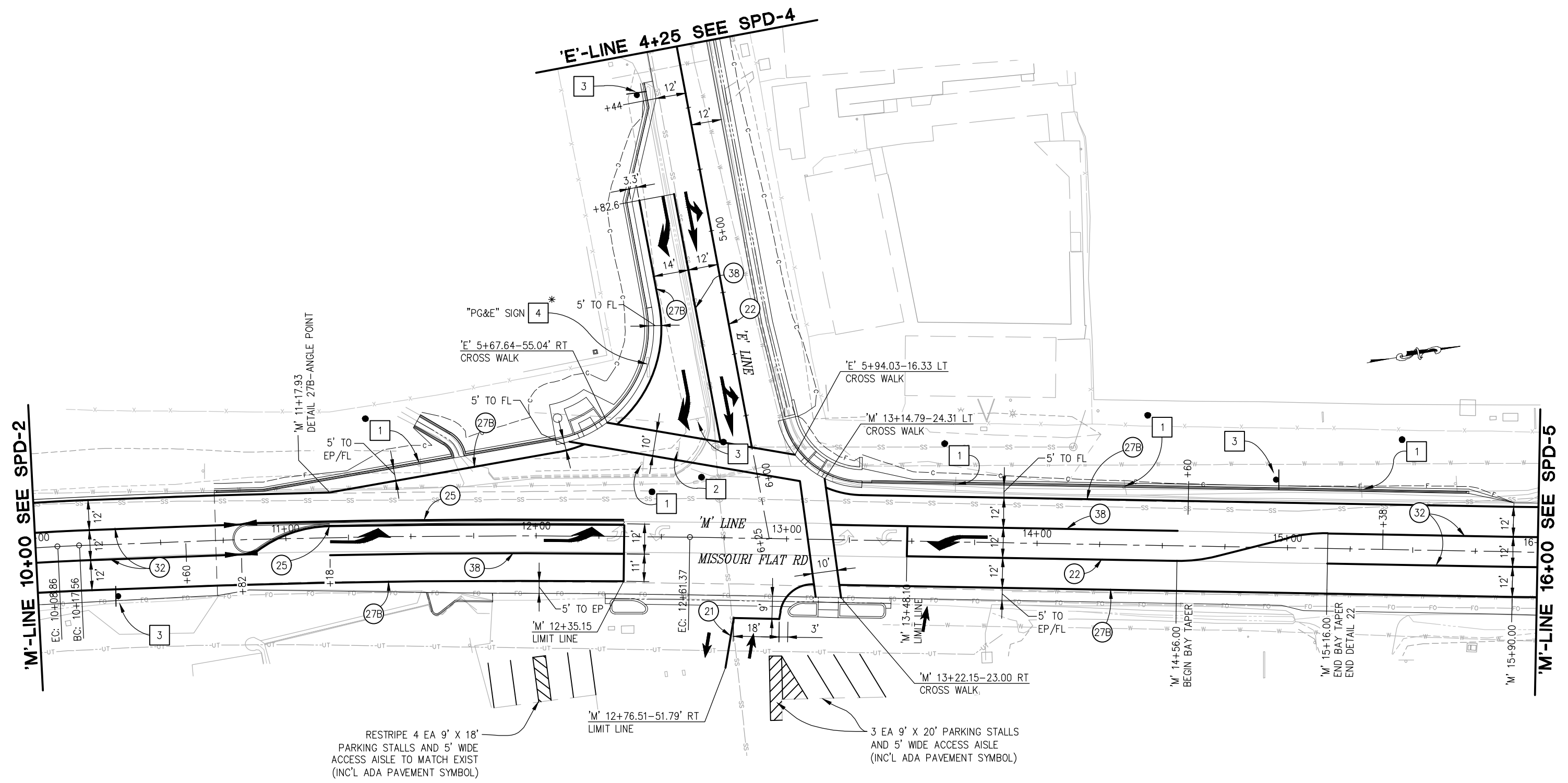


COUNTY OF EL DORADO
DEPARTMENT OF TRANSPORTATION

ENTERPRISE DR AND INDUSTRIAL DR
INTERSECTION IMPROVEMENTS

SHEET
SPD-2
50 OF 66
CONTRACT NO
6286

ORIGINAL SCALE IS IN INCHES
 Drawing name: Z:\Civil_3D\Projects\73366 Enterprise-Industrial\CADD_Files\Sheets\SPD-Sheets.dwg Layout Tab: SPD-3 Apr 20,2023 12:02pm stncvey
 FOR REDUCED PLANS
 2
 1
 0



THIS SHEET ACCURATE FOR SIGNING AND PAVEMENT DELINEATION WORK ONLY

SIGNING AND PAVEMENT DELINEATION
SCALE : 1" = 20'

REVISION	NUMBER	DATE	DESCRIPTION	BY



PREPARED UNDER THE SUPERVISION OF:
Dustin W. Harrington
 REGISTERED CIVIL ENGINEER
 DATE: 4/18/23

DESIGNED: DWH
 DRAWN: SGM
 CHECKED: DWH
 DATE: 03/29/23
 ROAD NUMBER: 009

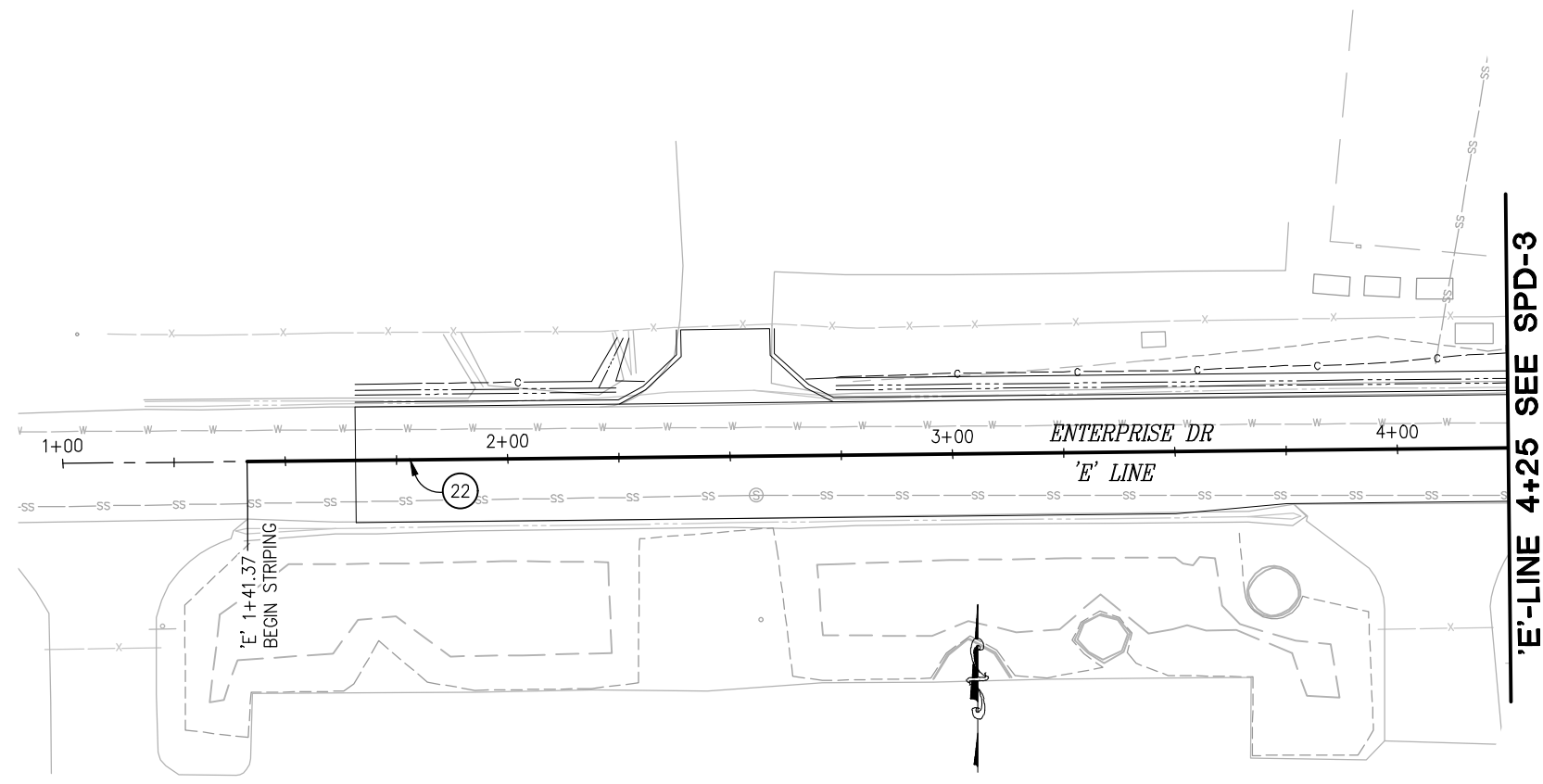


COUNTY OF EL DORADO
DEPARTMENT OF TRANSPORTATION

ENTERPRISE DR AND INDUSTRIAL DR
INTERSECTION IMPROVEMENTS

SHEET
SPD-3
 51 OF 66
 CONTRACT NO
6286

ORIGINAL SCALE IS IN INCHES
 Drawing name: Z:\Civil 3D Projects\73365 73366 Enterprise-Industrial\CADD Files\Sheets\SPD-Sheets.dwg Layout Tab: SPD-4 Apr 20,2023 - 12:02pm sticvey
 FOR REDUCED PLANS
 REVISION



THIS SHEET ACCURATE FOR SIGNING AND PAVEMENT DELINEATION WORK ONLY

SIGNING AND PAVEMENT DELINEATION
SCALE : 1" = 20'



PREPARED UNDER THE SUPERVISION OF :

 REGISTERED CIVIL ENGINEER
 DATE: 4/18/23

DESIGNED: DWH
 CHECKED: DWH
 ROAD NUMBER: 009
 DRAWN: SGM
 DATE: 03/29/23



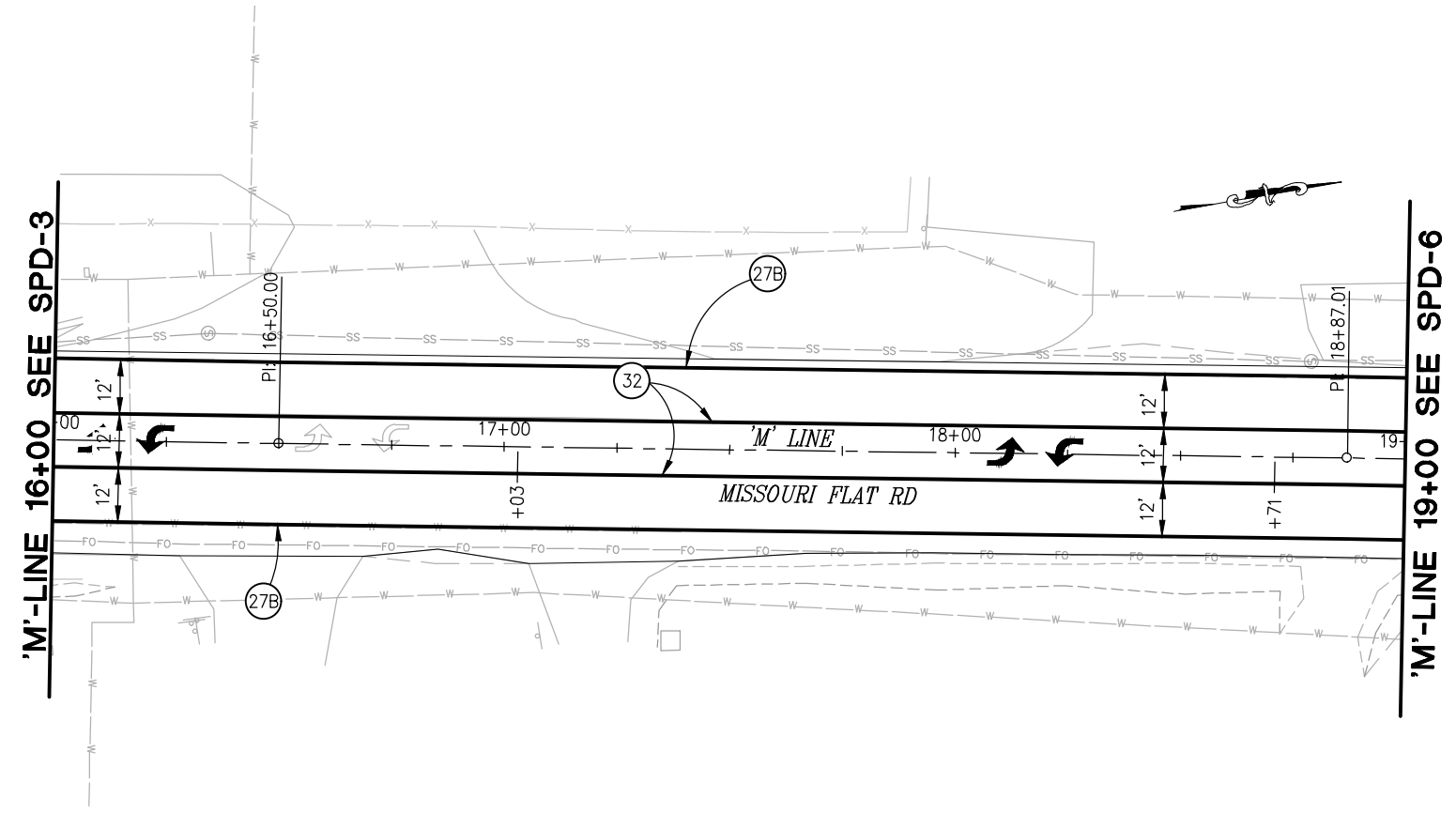
COUNTY OF EL DORADO
DEPARTMENT OF TRANSPORTATION

ENTERPRISE DR AND INDUSTRIAL DR
INTERSECTION IMPROVEMENTS

SHEET
SPD-4
 52 OF 66
 CONTRACT NO
6286

NUMBER	DATE	DESCRIPTION	BY

ORIGINAL SCALE IS IN INCHES
 Drawing name: Z:\Civil_3D_Projects\73365_73366 Enterprise-Industrial\CADD_Files\Sheets\SPD-Sheets.dwg Layout Tab: SPD-5 Apr 20,2023 - 12:03pm srticvey
 FOR REDUCED PLANS
 2
 1
 0



THIS SHEET ACCURATE FOR SIGNING AND PAVEMENT DELINEATION WORK ONLY

SIGNING AND PAVEMENT DELINEATION
SCALE : 1" = 20'

REVISION	NUMBER	DATE	DESCRIPTION	BY



PREPARED UNDER THE SUPERVISION OF :

 REGISTERED CIVIL ENGINEER
 DATE: 4/18/23

DESIGNED: DWH
 CHECKED: DWH
 ROAD NUMBER: 009
 DRAWN: SGM
 DATE: 03/29/23

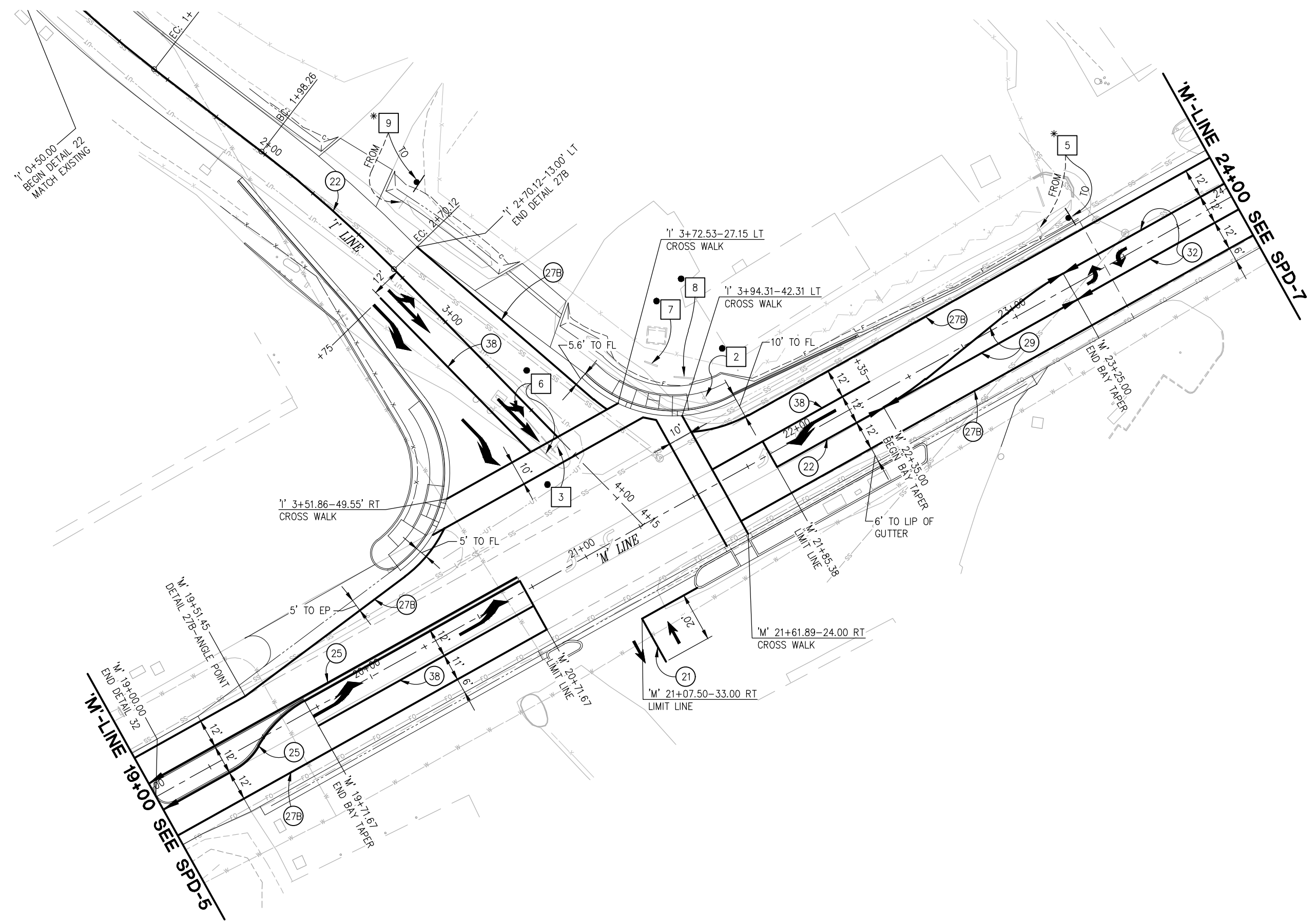


COUNTY OF EL DORADO
DEPARTMENT OF TRANSPORTATION

ENTERPRISE DR AND INDUSTRIAL DR
INTERSECTION IMPROVEMENTS

SHEET
SPD-5
 53 OF 66
 CONTRACT NO
6286

ORIGINAL SCALE IS IN INCHES
 Drawing name: Z:\Civil_3D\Projects\73365_73366 Enterprise-Industrial\CADD_Files\Sheets\SPD-Sheets.dwg Layout Tab: SPD-6 Apr 20, 2023 12:03pm sncvwy
 FOR REDUCED PLANS



THIS SHEET ACCURATE FOR SIGNING AND PAVEMENT DELINEATION WORK ONLY

SIGNING AND PAVEMENT DELINEATION
 SCALE : 1" = 20'

REVISION	NUMBER	DATE	DESCRIPTION	BY



PREPARED UNDER THE SUPERVISION OF:
[Signature]
 REGISTERED CIVIL ENGINEER
 DATE: 4/18/23

DESIGNED: DWH
 DRAWN: SGM
 CHECKED: DWH
 DATE: 03/29/23
 ROAD NUMBER: 009

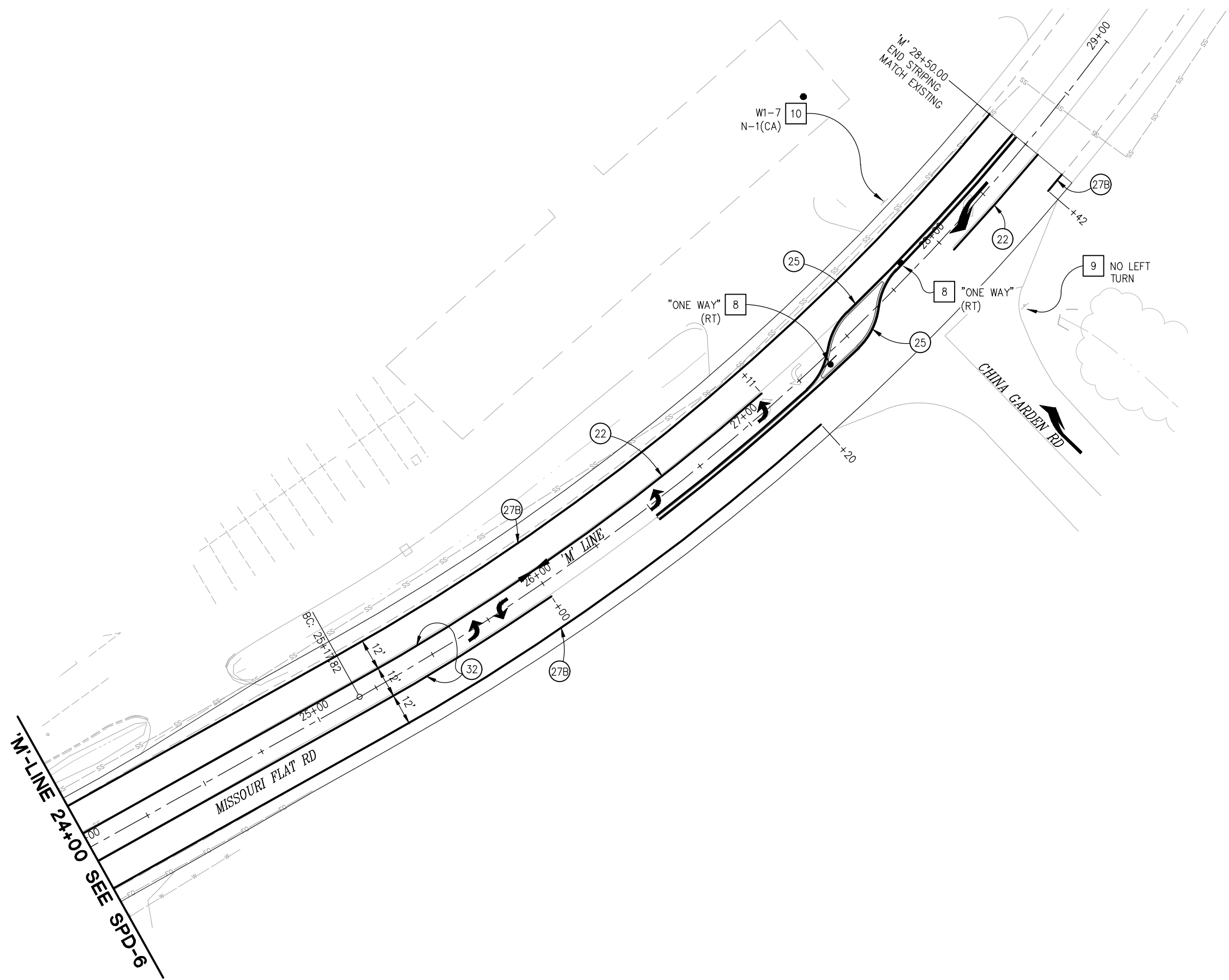


COUNTY OF EL DORADO
DEPARTMENT OF TRANSPORTATION

ENTERPRISE DR AND INDUSTRIAL DR
INTERSECTION IMPROVEMENTS

SHEET
SPD-6
 54 OF 66
 CONTRACT NO
6286

ORIGINAL SCALE IS IN INCHES
 Drawing name: Z:\Civil 3D Projects\73365 73366 Enterprise-Industrial\CADD Files\Sheets\SPD-Sheets.dwg Layout Tab: SPD-7 Apr 20/2023 12:03pm stncvey
 FOR REDUCED PLANS
 2
 1
 0



THIS SHEET ACCURATE FOR SIGNING AND PAVEMENT DELINEATION WORK ONLY

SIGNING AND PAVEMENT DELINEATION
SCALE : 1" = 20'

REVISION	NUMBER	DATE	DESCRIPTION	BY



PREPARED UNDER THE SUPERVISION OF :
[Signature]
 REGISTERED CIVIL ENGINEER
 DATE: 4/18/23

DESIGNED: DWH
 CHECKED: DWH
 ROAD NUMBER: 009
 DRAWN: SGM
 DATE: 03/29/23



COUNTY OF EL DORADO
DEPARTMENT OF TRANSPORTATION

ENTERPRISE DR AND INDUSTRIAL DR
INTERSECTION IMPROVEMENTS

SHEET
SPD-7
 55 OF 66
 CONTRACT NO
6286

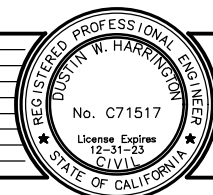
ORIGINAL SCALE IS IN INCHES
 Drawing name: Z:\Civil 3D Projects\73365 73366 Enterprise-Industrial\CADD Files\Sheets\SPD-Sheets.dwg Layout Tab: SPD-8 Apr 20, 2023 12:03pm sticvey
 FOR REDUCED PLANS
 2
 1
 0

SIGN QUANTITIES										
SIGN NO.	SIGN	CALIFORNIA MUTCD CODE	PANEL SIZE (INCHES)	ROADSIDE SIGNS				EXISTING LOCATION	PROPOSED LOCATION (APPROXIMATE)	REMARKS
				INSTALL (STRAP & SADDLE) EA	ONE POST EA	RELOCATE EA	REMOVE EA			
1	"NO PARKING"	R26(CA)				1		'M' 11+52 LT	'M' 11+52 LT	
							1	'M' 12+54 LT		
								'M' 13+66 LT	'M' 13+66 LT	
						3		'M' 14+34 LT	'M' 14+34 LT	
								'M' 15+29 LT	'M' 15+29 LT	
2	STREET NAME SIGN						2	'M' 12+56 LT		
								'M' 21+73 LT		
3	"SIGNAL AHEAD"	W3-3	36 x 36			3			'M' 10+35 RT	
								'M' 14+90 LT		
								'E' 4+40 RT		
4	"NO TURN ON RED"	R13A(CA)	18 x 30	1						INSTALL ON POLE 'E', SHEET E-1.
				1						INSTALL ON POLE 'H', SHEET E-1.
				1						INSTALL ON POLE 'E', SHEET E-4.
				1						INSTALL ON POLE 'H', SHEET E-4.
5	"SPEED LIMIT 45"	R2-1			1		'M' 23+25 LT	'M' 23+38-25' LT	RELOCATE w/ METAL POST	
6	"STOP"	R1-1				1	'M' 12+64 LT			
7	"NO OUTLET"	W14-2			1		'I' 2+53 LT	'I' 2+53 LT		
8	ONE WAY (RT)	R6-1	12 X 36		1				'M' 23+45 RT	
					1				'M' 27+84 LT	
9	NO LEFT TURN	R3-2	24 X 24		1				MOUNT ON POST BELOW EXISTING R1-1	
10	DIRECTIONAL ARROW OBJECT MARKER	W1-7 N-1(CA)					1	'M' 28+00 LT		
11	"STOP HERE ON RED"	R10-6 (LT)					1	'M' 20+71 RT		
12	"WRONG WAY" "DO NOT ENTER"	R5-1a					2	'M' 20+80 RT		
								'M' 21+30 RT		
TOTAL				4	6	6	8			

PAVEMENT MARKING				
DESCRIPTION	THERMOPLASTIC SQ FT	DETAIL	STANDARD DRAWING	REMARKS
STRAIGHT ARROW	70	TYPE I (10')	A24A	5 @ 14 SF
STRAIGHT/LEFT ARROW	180	TYPE II (L)	A24B	4 @ 45 SF
LEFT TURN ARROW	336	TYPE III (L)	A24B	8 @ 42 SF
RIGHT TURN ARROW	210	TYPE III (R)	A24B	5 @ 42 SF
LEFT TURN ARROW	240	TYPE IV (L)	A24A	16 @ 15 SF
LIMIT/CROSSWALK LINE	744	-	A24E/A24F	744 LF @ 1' WIDE
TOTAL	1780			

SIGNING AND PAVEMENT DELINEATION
SCALE : NONE

REVISION	NUMBER	DATE	DESCRIPTION	BY



PREPARED UNDER THE SUPERVISION OF :

 REGISTERED CIVIL ENGINEER
 DATE: 4/18/23

DESIGNED: DWH
 DRAWN: SGM
 CHECKED: DWH
 DATE: 03/29/23
 ROAD NUMBER: 009



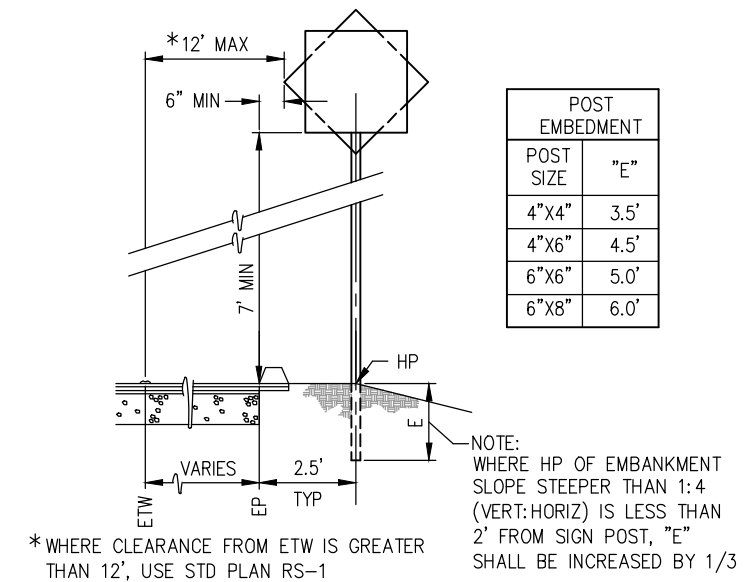
COUNTY OF EL DORADO
DEPARTMENT OF TRANSPORTATION

ENTERPRISE DR AND INDUSTRIAL DR
INTERSECTION IMPROVEMENTS

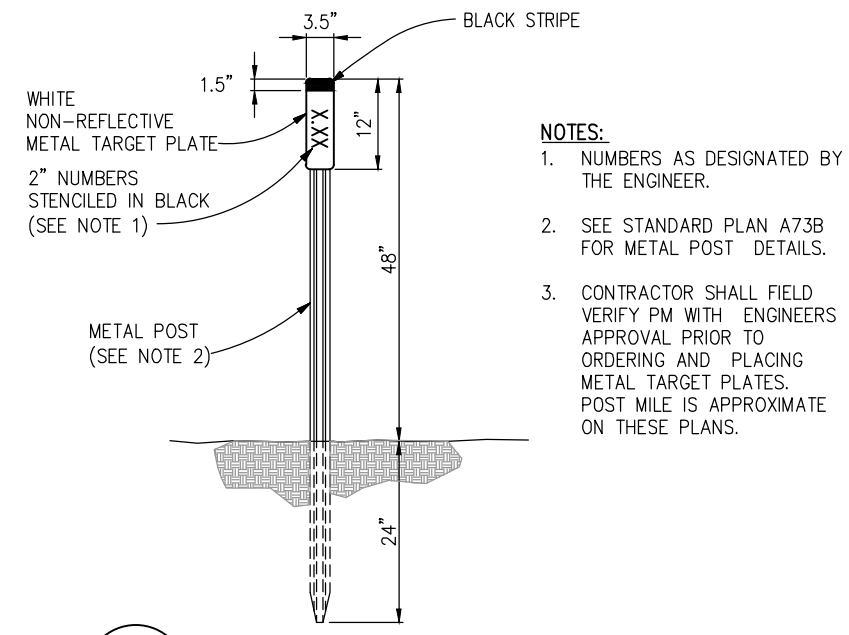
SHEET
SPD-8
56 OF 66
CONTRACT NO
6286

ORIGINAL SCALE IS IN INCHES
 Drawing name: Z:\Civil_3D\Projects\73365 73366 Enterprise-Industrial\CADD_Files\Sheets\SPD-Sheets.dwg Layout Tab: SPD-9 Apr 20/2023 - 12:04pm srticvey
 FOR REDUCED PLANS
 2
 1
 0

THERMOPLASTIC STRIPING & PAVEMENT MARKERS								
STANDARD PLAN NO.	FROM	TO	SPRAYABLE THERMOPLASTIC		PAVEMENT MARKER (RECESSED RETROREFLECTIVE)			REMARKS
			WHITE FT	YELLOW FT	TYPE D EA	TYPE G EA	TYPE RY EA	
DETAIL 11	'M' 4+00 LT	'M' 7+00 LT	301					
DETAIL 21	'M' 12+88 RT	'M' 12+88 RT		27				DRIVEWAY ENTRANCE
	'M' 21+16 RT	'M' 21+16 RT		15				DRIVEWAY ENTRANCE
DETAIL 22	'M' 13+48 RT	'M' 15+16 LT		169	16			
	'E' 1+41.4	'E' 5+62.5		443	38			
	'M' 21+85.38	'M' 22+35		50	6			
	'I' 1+50	'I' 3+61		311	26			
	'M' 28+02 RT	'M' 28+50 RT		48	4			
	'M' 26+00 LT	'M' 27+11 LT		111	10			
DETAIL 25	'M' 10+82 LT	'M' 12+35 LT		153			5	
	'M' 10+82 RT	'M' 12+35 RT		154			5	
	'M' 19+00 LT	'M' 20+71 LT		171			5	
	'M' 19+00 RT	'M' 20+71 RT		172			5	
	'M' 26+75 RT	'M' 28+50 LT		202			5	
	'M' 26+75 RT	'M' 28+50 LT		202			5	
DETAIL 27B	'M' 4+00 LT	'M' 12+19 LT	830					
	'M' 4+00 RT	'M' 12+35 RT	829					
	'M' 13+15 LT	'M' 20+55 LT	743					
	'M' 12+98 RT	'M' 20+71.67 RT	742					
	'E' 4+83 RT	'E' 5+68 RT	96					
	'M' 21+62 LT	'M' 28+50 LT	682					
	'M' 21+62 RT	'M' 27+20 RT	562					
	'I' 2+70 LT	'I' 3+72 LT	102					
	'M' 28+42 RT	'M' 28+50 RT	8					
	DETAIL 29	'M' 4+00	'M' 5+50		300	14		
'M' 22+35		'M' 23+25		181	8			
DETAIL 32	'M' 5+50	'M' 10+82		1064	56			
	'M' 15+16	'M' 19+00		768	40			
	'M' 23+25	'M' 26+00		550	32			
DETAIL 38	'M' 11+46 RT	'M' 12+35 RT	89				5	
	'M' 13+22 LT	'M' 14+56 LT	134				7	
	'E' 4+83 RT	'E' 5+80 RT	97				5	
	'M' 19+72 RT	'M' 20+72 RT	100				8	
	'M' 21+66 LT	'M' 22+35 LT	69				4	
	'I' 2+75 RT	'I' 3+58 RT	83				5	
SUBTOTAL			5579	5091	250	34	30	
TOTAL			10670			314		



1 SIGN LOCATION DETAIL
NTS
SEE ALSO STD PLAN RS-2



2 MARKER (CULVERT)
NTS

SIGNING AND PAVEMENT DELINEATION SCALE : NONE



PREPARED UNDER THE SUPERVISION OF:

 REGISTERED CIVIL ENGINEER
 DATE: 4/18/23

DESIGNED: DWH
 DRAWN: SGM
 CHECKED: DWH
 DATE: 03/29/23
 ROAD NUMBER: 009



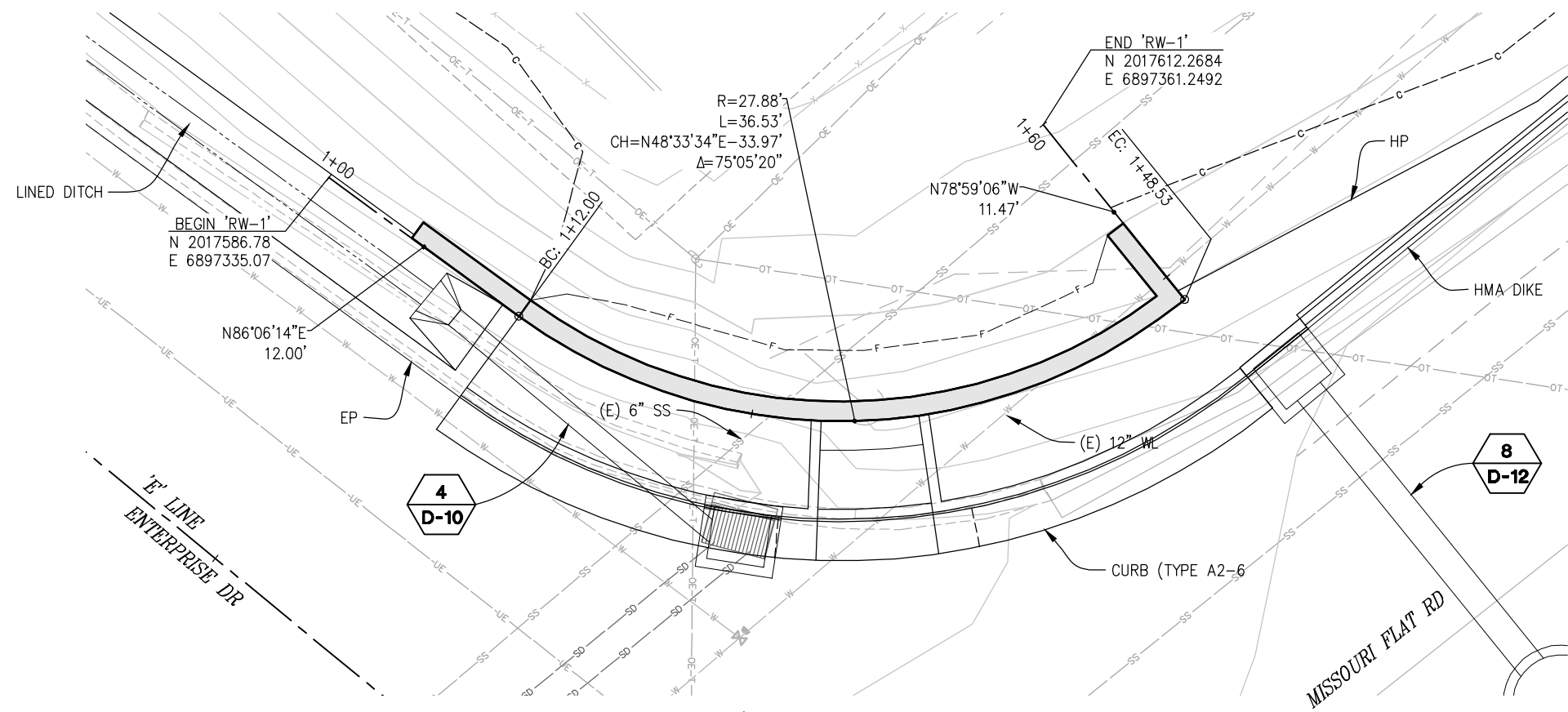
COUNTY OF EL DORADO DEPARTMENT OF TRANSPORTATION

ENTERPRISE DR AND INDUSTRIAL DR INTERSECTION IMPROVEMENTS

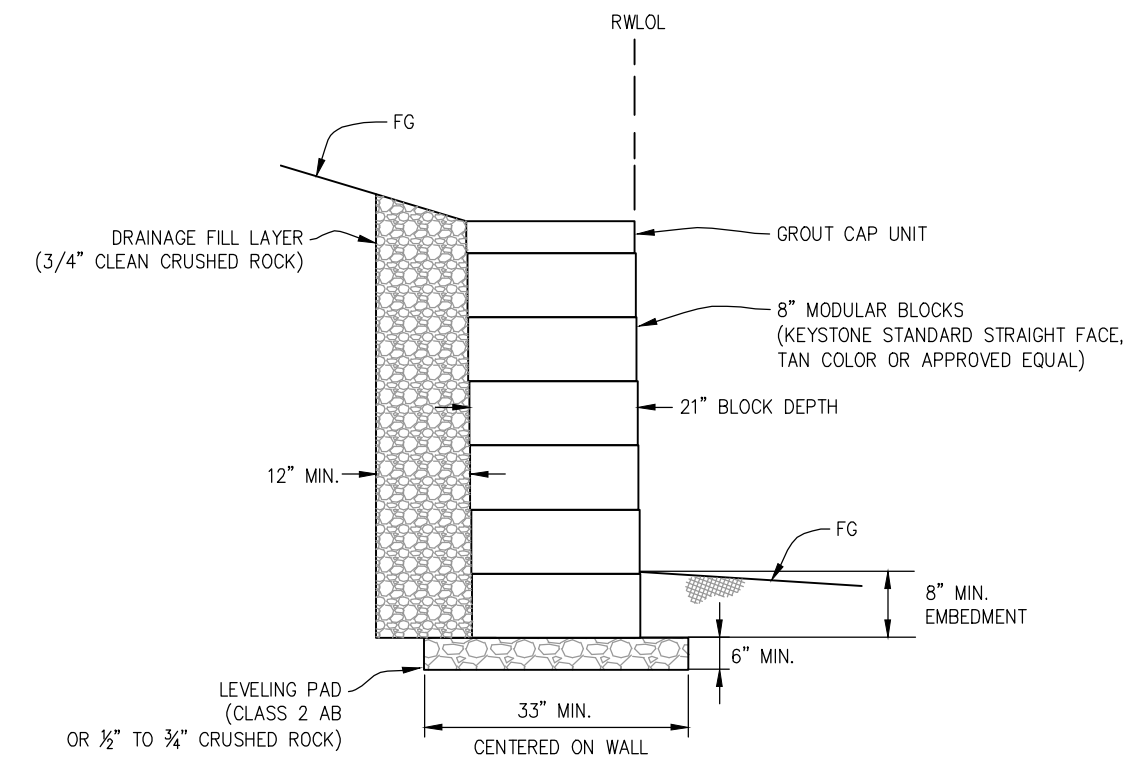
SHEET
SPD-9
 57 OF 66
 CONTRACT NO
6286

REVISION	NUMBER	DATE	DESCRIPTION	BY

ORIGINAL SCALE IS IN INCHES
 Drawing name: Z:\Civil_3D\Projects\73365 Enterprise-Industrial\CADD Files\Sheets\RW-Sheets.dwg Layout Tab: RW-1 Apr 20, 2023 12:05pm smcwey
 FOR REDUCED PLANS

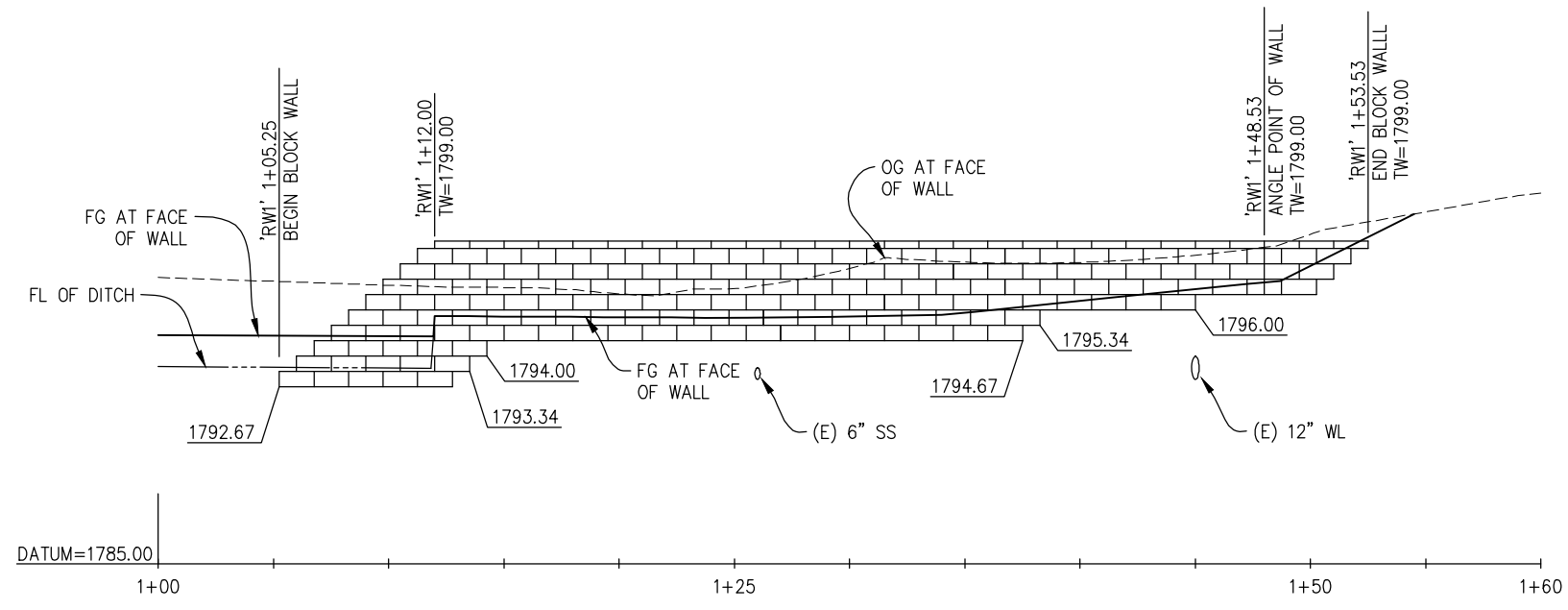


'RW-1' - PLAN
SCALE: 1"=4'



MODULAR BLOCK RETAINING WALL TYPICAL SECTION
SCALE: 1"=1'

NOTE:
CONSTRUCT WALL WITH NEAR-VERTICAL (APPROX 1° BATTER) PIN CONFIGURATION.



'RW-1' - ELEVATION
SCALE: 1"=4' H, V

RETAINING WALL 'RW-1'
SCALE : AS SHOWN



PREPARED UNDER THE SUPERVISION OF:
[Signature]
REGISTERED CIVIL ENGINEER
DATE: 4/18/23

DESIGNED: DWH
DRAWN: SGM
CHECKED: DWH
DATE: 03/29/23
ROAD NUMBER: 009



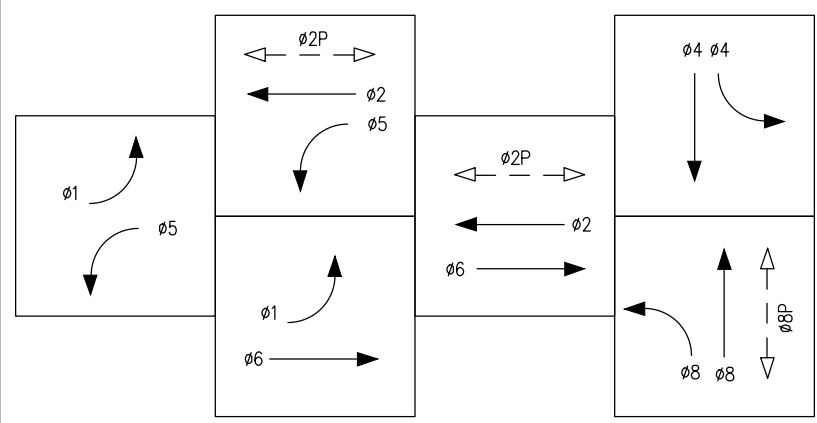
COUNTY OF EL DORADO
DEPARTMENT OF TRANSPORTATION

ENTERPRISE DR AND INDUSTRIAL DR
INTERSECTION IMPROVEMENTS

SHEET
RW-1
58 OF 66
CONTRACT NO.
6286

REVISION	NUMBER	DATE	DESCRIPTION	BY

ORIGINAL SCALE IS IN INCHES
 Drawing name: Z:\Civil 3D\Projects\73365 73366 Enterprise-Industrial\CADD_Files\Sheets\E-Sheets.dwg Layout Tab: E-1 Apr 20, 2023 12:07pm smevey
 FOR REDUCED PLANS
 REVISION



PROPOSED TRAFFIC PHASE DIAGRAM

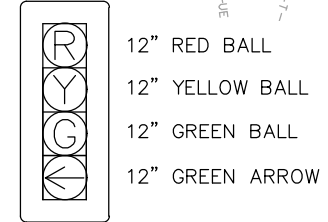
DESIGN SPEED:
 ENTERPRISE DRIVE = 30 MPH
 MISSOURI FLAT ROAD = 45 MPH
 EVDa = ø1, ø6
 EVDb = ø8
 EVDc = ø5, ø2
 EVDd = ø8

PROJECT NOTES (FOR THIS SHEET ONLY):

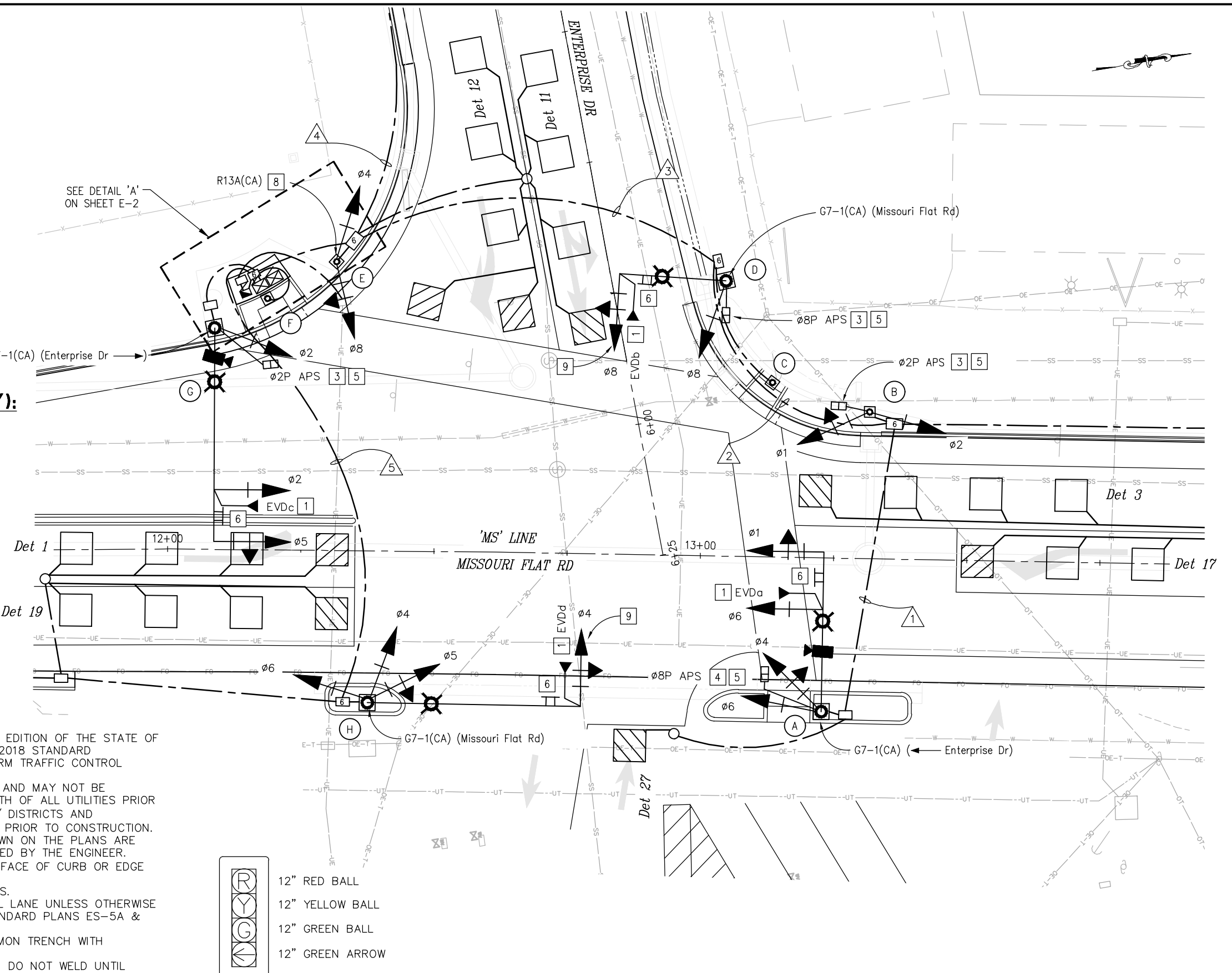
1. INSTALL EVD ON SIGNAL HEAD PER RSP ES-4E.
2. INSTALL CCTV AND CAMERA INTERCONNECT CABLE TO CONTROLLER CABINET. SEE CALTRANS REVISED STANDARD PLAN ES-16B FOR POLE DETAILS.
3. INSTALL APS ON PBA POLE.
4. INSTALL APS ON SIGNAL POLE.
5. INSTALL PEDESTRIAN SIGNAL MODULE WITH COUNTDOWN.
6. INSTALL SIGN R3-4.
7. G7-1(CA) SIGN PANELS TO BE MOUNTED ON SIGNAL STANDARD DIRECTLY ABOVE THE SIGNAL MAST ARM CONNECTION.
8. R13A(CA) SIGN PANELS TO BE MOUNTED ON SIGNAL STANDARD DIRECTLY BELOW THE SIGNAL HEAD.
9. INSTALL 4-SECTION VEHICLE SIGNAL HEAD. SEE DETAIL THIS SHEET.

TRAFFIC SIGNAL GENERAL NOTES:

1. ALL WORK SHALL BE PERFORMED IN ACCORDANCE WITH THE CURRENT 2018 EDITION OF THE STATE OF CALIFORNIA DEPARTMENT OF TRANSPORTATION STANDARD PLANS AND THE 2018 STANDARD SPECIFICATIONS, THE 2014 REVISION OF THE CALIFORNIA MANUAL OF UNIFORM TRAFFIC CONTROL DEVICES, AND THE SPECIAL PROVISIONS.
2. LOCATIONS OF EXISTING UTILITIES SHOWN ON THIS PLAN ARE APPROXIMATE AND MAY NOT BE COMPLETE. CONTRACTOR SHALL VERIFY THE EXISTENCE, LOCATION AND DEPTH OF ALL UTILITIES PRIOR TO CONSTRUCTION. CONTRACTOR SHALL CONTACT ALL UTILITY COMPANIES / DISTRICTS AND UNDERGROUND SERVICE ALERT (USA, 800-642-2444) AT LEAST 72 HOURS PRIOR TO CONSTRUCTION.
3. THE LOCATION OF ALL PULL BOXES, CONDUITS AND OTHER EQUIPMENT SHOWN ON THE PLANS ARE APPROXIMATE AND MAY BE CHANGED TO SUIT FIELD CONDITIONS AS DIRECTED BY THE ENGINEER.
4. ALL SIGNAL POLES SHALL HAVE A MINIMUM OF 4.5' CLEARANCE FROM THE FACE OF CURB OR EDGE OF PAVEMENT UNLESS OTHERWISE NOTED ON THE PLANS.
5. ALL PULL BOXES SHALL BE No. 5 UNLESS OTHERWISE NOTED ON THE PLANS.
6. ALL DETECTOR LOOPS SHALL BE INSTALLED AT THE CENTER OF THE TRAVEL LANE UNLESS OTHERWISE NOTED ON THE PLANS OR DIRECTED BY THE ENGINEER. SEE CALTRANS STANDARD PLANS ES-5A & ES-5B FOR DETAILS.
7. DETECTOR HANDHOLES AND HOME RUN CONDUIT SHALL BE PLACED IN COMMON TRENCH WITH PARALLEL CONDUITS.
8. ALL TRAFFIC PULL BOXES SHALL BE WELDED. SEE DETAIL ON SHEET E-8. DO NOT WELD UNTIL INSPECTION COMPLETE.
9. ALL ADVANCE LOOPS SHALL BE PRE-FORMED TYPE "A" LOOPS.
10. ALL PULL BOXES MUST BE TRAFFIC RATED OTHERWISE NOTED ON THE PLANS.
11. ALL SIGNAL HEADS SHALL HAVE 2-INCH TYPE XI FLUORESCENT YELLOW RETROREFLECTIVE STRIP AROUND THE PERIMETER FACE.



DETAIL A
 4-SECTION SIGNAL HEAD
 NO SCALE



THIS SHEET ACCURATE FOR ELECTRICAL WORK ONLY

ENTERPRISE DR
SIGNAL AND LIGHTING PLAN
SCALE : 1" = 10'

REVISION	NUMBER	DATE	DESCRIPTION	BY



PREPARED UNDER THE SUPERVISION OF :

 REGISTERED CIVIL ENGINEER
 DATE: 4/18/23

DESIGNED: JUN AN
 DRAWN: AN
 CHECKED: DH
 DATE: 03/29/23
 ROAD NUMBER: 009



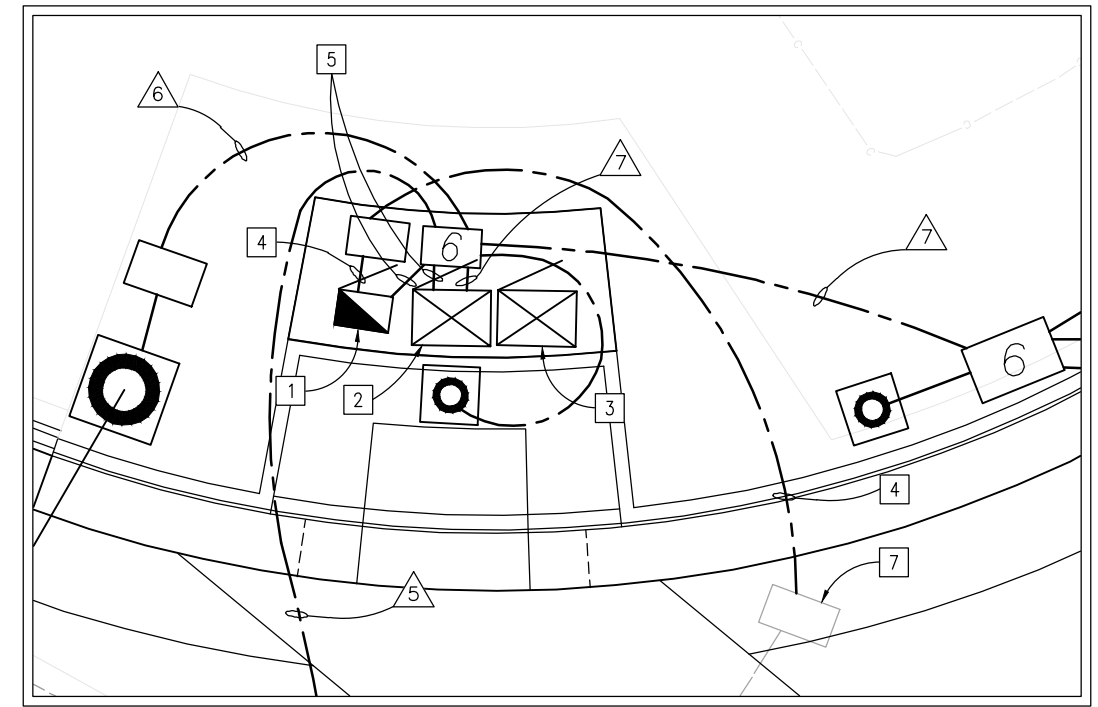
COUNTY OF EL DORADO
DEPARTMENT OF TRANSPORTATION

ENTERPRISE DR AND INDUSTRIAL DR
INTERSECTION IMPROVEMENTS

SHEET
E-1
 59 OF 66
 W.O. No. **6286**

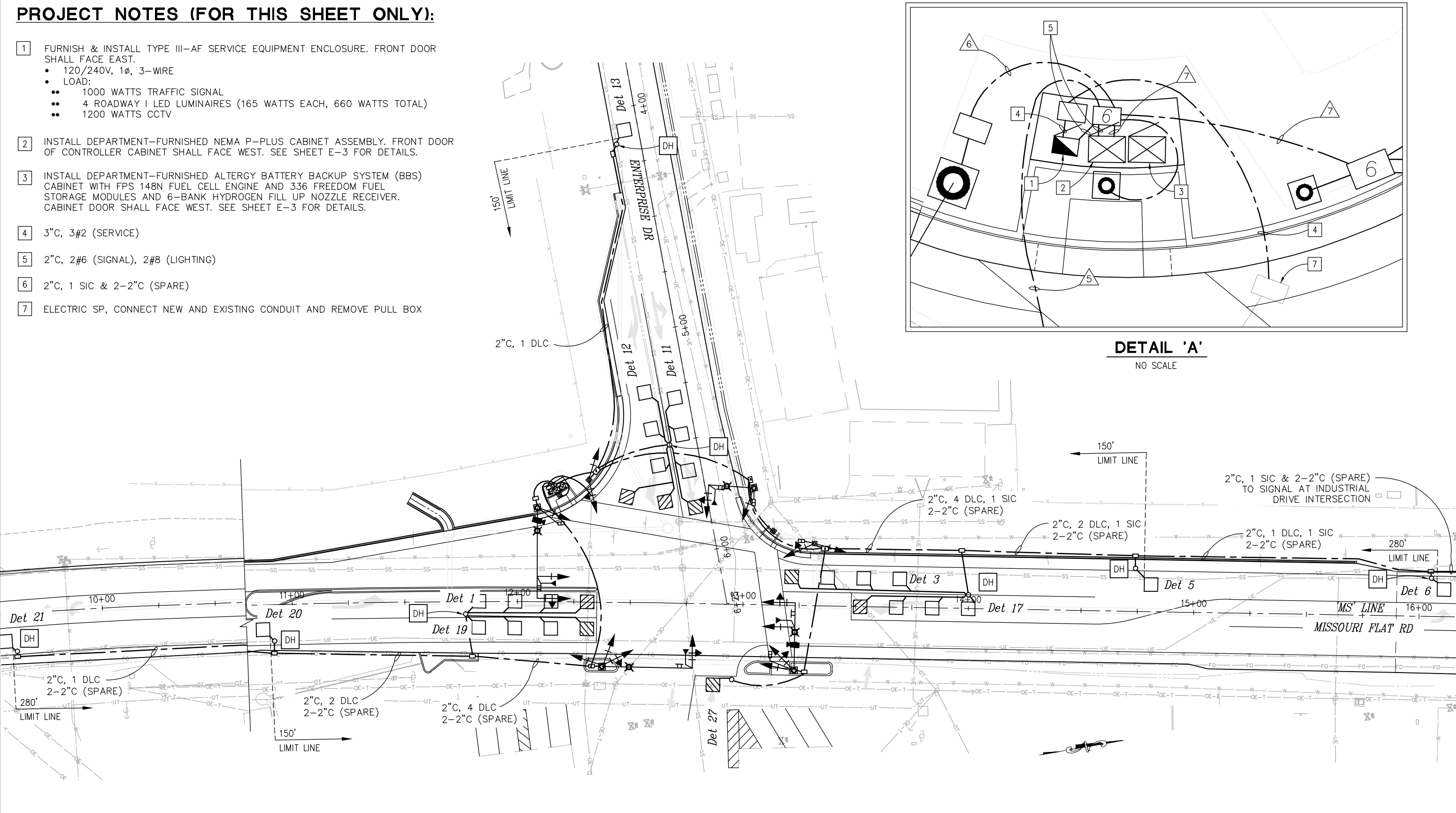
PROJECT NOTES (FOR THIS SHEET ONLY):

- 1 FURNISH & INSTALL TYPE III-AF SERVICE EQUIPMENT ENCLOSURE. FRONT DOOR SHALL FACE EAST.
 - 120/240V, 1Ø, 3-WIRE
 - LOAD:
 - 1000 WATTS TRAFFIC SIGNAL
 - 4 ROADWAY I LED LUMINAIRES (165 WATTS EACH, 660 WATTS TOTAL)
 - 1200 WATTS CCTV
- 2 INSTALL DEPARTMENT-FURNISHED NEMA P-PLUS CABINET ASSEMBLY. FRONT DOOR OF CONTROLLER CABINET SHALL FACE WEST. SEE SHEET E-3 FOR DETAILS.
- 3 INSTALL DEPARTMENT-FURNISHED ALTERGY BATTERY BACKUP SYSTEM (BBS) CABINET WITH FPS 148N FUEL CELL ENGINE AND 336 FREEDOM FUEL STORAGE MODULES AND 6-BANK HYDROGEN FILL UP NOZZLE RECEIVER. CABINET DOOR SHALL FACE WEST. SEE SHEET E-3 FOR DETAILS.
- 4 3"C, 3#2 (SERVICE)
- 5 2"C, 2#6 (SIGNAL), 2#8 (LIGHTING)
- 6 2"C, 1 SIC & 2-2"C (SPARE)
- 7 ELECTRIC SP, CONNECT NEW AND EXISTING CONDUIT AND REMOVE PULL BOX



DETAIL 'A'
NO SCALE

ORIGINAL SCALE IS IN INCHES
 Drawing name: Z:\Civil 3D\Projects\73365 Enterprise-Industrial\CADD_Files\Sheets\E-Sheets.dwg Layout Tab: E-2 Apr 20, 2023 12:08pm smevey
 FOR REDUCED PLANS



THIS SHEET ACCURATE FOR ELECTRICAL WORK ONLY

**ENTERPRISE DR
SIGNAL AND LIGHTING PLAN
SCALE : 1" = 10'**

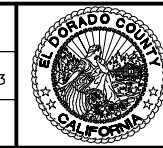
REVISION	NUMBER	DATE	DESCRIPTION	BY



PREPARED UNDER THE SUPERVISION OF:

 REGISTERED CIVIL ENGINEER
 DATE: 4/18/23

DESIGNED: JUN AN
 DRAWN: AN
 CHECKED: DH
 DATE: 03/29/23
 ROAD NUMBER: 009



**COUNTY OF EL DORADO
DEPARTMENT OF TRANSPORTATION**

**ENTERPRISE DR AND INDUSTRIAL DR
INTERSECTION IMPROVEMENTS**

SHEET
E-2
 60 OF 66
 W.O. No. **6286**

ORIGINAL SCALE IS IN INCHES
Drawing name: Z:\Civil 3D Projects\73366 Enterprise-Industrial\CADD Files\Sheets\E-Sheets.dwg Layout Tab: E-3 Apr 20, 2023 - 12:08pm smevey

POLE AND EQUIPMENT SCHEDULE

NO.	STANDARD			VEHICLE SIGNAL MOUNTING			PEDESTRIAN SIGNAL MOUNTING		PBA		LED LUMINAIRE (WATTS)	LOCATION		REMARKS *
	TYPE	SIG. MA (FT)	LUM. MA (FT)	Ø	MAST ARM	Ø	POLE	Ø	POLE	Ø		ARROW	STATION **	
(A)	26-3-100	30	12	6 1	MAS MAS	4 6	SV-2-TB	6 8	SP-2-T	6 8	→ ←	ROADWAY I (165 W)	'MS' 13+31.00 26.00 RT	INSTALL EVDa ON SIGNAL HEAD. INSTALL R73-3(CA) ON SIGNAL MAST ARM. INSTALL APS SIGN ON SIGNAL POLE. INSTALL G7-1(CA) (ENTERPRISE DRIVE) ON STANDARD DIRECTLY ABOVE THE MAST ARM CONNECTION WITH STRAP & SADDLE BRACKET METHOD. F=13' *
(B)	1-B					1 2	TV-2-T	2	SP-1-T				'MS' 13+50.00 52.68 LT	
(C)	PBA									2 8	← →		'MS' 13+27.00 61.50 LT	INSTALL APS SIGN.
(D)	17-2-100	20	12	8	MAS-4B	8	SV-1-T	8	SP-1-T			ROADWAY I (165 W)	'MS' 13+18.00 71.00 LT	INSTALL EVDb ON SIGNAL HEAD. INSTALL R73-3(CA) ON SIGNAL MAST ARM. INSTALL G7-1(CA) (MISSOURI FLAT ROAD) ON STANDARD DIRECTLY ABOVE THE MAST ARM CONNECTION WITH STRAP & SADDLE BRACKET METHOD.
(E)	1-B					4 8	TV-2-T						'MS' 12+35.00 87.50 LT	
(F)	PBA							2	SP-1-T	2	→		'MS' 12+33.00 64.00 LT	INSTALL APS SIGN.
(G)	26-3-100	40	12	2 5	MAS MAS	2	SV-1-T					ROADWAY I (165 W)	'MS' 12+08.50 47.00 LT	INSTALL EVDc ON SIGNAL HEAD. INSTALL R73-3(CA) ON SIGNAL MAST ARM. INSTALL CCTV ON STANDARD. INSTALL G7-1(CA) (ENTERPRISE DRIVE) ON STANDARD DIRECTLY ABOVE THE MAST ARM CONNECTION WITH STRAP & SADDLE BRACKET METHOD. F=12.5' *
(H)	19-2-100	30	12	4	MAS-4B	4 5 6	SV-3-TB					ROADWAY I (165 W)	'MS' 12+50.00 26.50 RT	INSTALL EVDd ON SIGNAL HEAD. INSTALL R73-3(CA) ON SIGNAL MAST ARM. INSTALL APS SIGN ON SIGNAL POLE. INSTALL G7-1(CA) (MISSOURI FLAT ROAD) ON STANDARD DIRECTLY ABOVE THE MAST ARM CONNECTION WITH STRAP & SADDLE BRACKET METHOD. F=12.76' *

* OTHER REQUIREMENTS ARE COVERED BY NOTES, LEGEND, SPECIAL PROVISIONS AND STANDARD SPECIFICATIONS.
FOR TYPE OF STANDARD AND VEHICLE SIGNAL MOUNTING, SEE CALTRANS STANDARD PLANS.

** FINAL LOCATION WILL BE DETERMINE BY THE ENGINEER.

CONDUCTOR & CONDUIT SCHEDULE

CABLE TYPE	PHASE	STD	NUMBER OF CONDUCTORS									
			RUN NUMBER									
			1	2	3	4	5	6	7			
VEH-PED 12CSC	1, 4, 6, 8P	8PBA POLE (A)	1	1	1	1	1	1	1	1	1	1
	1, 2, 2P	POLE (B)	1	1	1	1					1	1
	2PBA, 8PBA	POLE (C)		1	1	1						1
	8, 8P	POLE (D)			1	1						1
	4, 8	POLE (E)				1						1
	2PBA	POLE (F)										1
	2, 5, 2P	POLE (G)								1		1
	4, 5, 6	POLE (H)						1				1
TOTAL CABLES 12/3 CONDUCTORS			1	2	3	4	2	1	1	6	3	
#8	LIGHTING		2	2	2	2	2	2				
#6	CONTROLLER											
TYPE B DLC	Det 1							1			1	
	Det 3			1	1	1					1	
	Det 5			1	1	1					1	
	Det 6			1	1	1					1	
	Det 11					1					1	
	Det 12					1					1	
	Det 13					1					1	
	Det 17			1	1	1					1	
	Det 19							1			1	
	Det 20							1			1	
Det 21							1			1		
Det 27			1	1	1	1				1		
TOTAL			1	5	5	8	4			12		
GRIDSART CAMERA CABLE			1	1	1	1				1	2	
EVD			1	1	2	2	1	1		4		
CONDUIT SIZE			3"	4"	4"	4"	3"	2"	2-4"			
% FILL			12	15	19	26	13	20	19			

- NOTES:
- CAMERA INTERCONNECT CABLE PLACED IN 1-2" C BY ITSELF.
 - APS SIGN MUST BE R10-3eR OR R10-3eL.
 - ADD 2-2" C (SPARE) TO RUNS 2, 3, 4, 5, AND 7. SPARE CONDUIT TO BE SCHEDULE 40 HDPE, ORANGE COLOR.

ENTERPRISE DR
SIGNAL AND LIGHTING PLAN
SCALE : AS SHOWN



PREPARED UNDER THE SUPERVISION OF:
Justin W. Harrington
REGISTERED CIVIL ENGINEER
DATE: 4/18/23

DESIGNED: JN
DRAWN: AN
CHECKED: DH
DATE: 03/29/23
ROAD NUMBER: 009



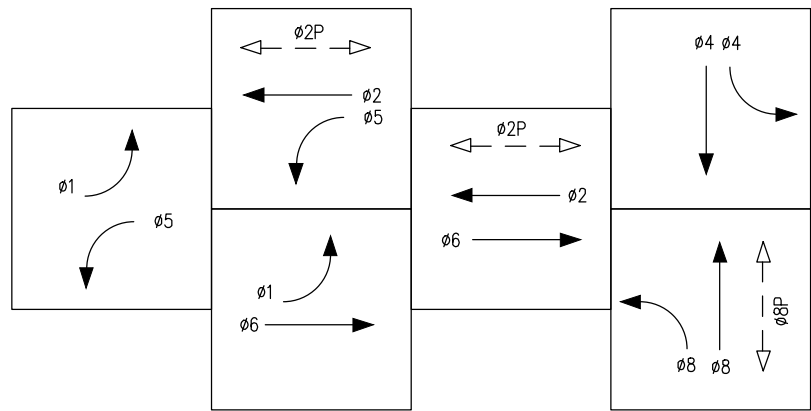
COUNTY OF EL DORADO
DEPARTMENT OF TRANSPORTATION

ENTERPRISE DR AND INDUSTRIAL DR
INTERSECTION IMPROVEMENTS

SHEET
E-3
61 OF 66
W.O. No. 6286

REVISION	NUMBER	DATE	DESCRIPTION	BY

ORIGINAL SCALE IS IN INCHES
 Drawing name: Z:\Civil 3D\Projects\73365 Enterprise-Industrial\CADD_Files\Sheets\E-Sheets.dwg Layout Tab: E-4 Apr 20, 2023 - 12:08pm smevey
 FOR REDUCED PLANS
 2
 1
 0



PROPOSED TRAFFIC PHASE DIAGRAM

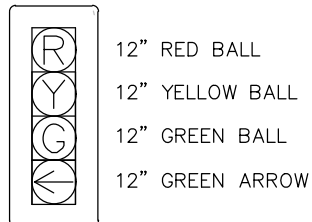
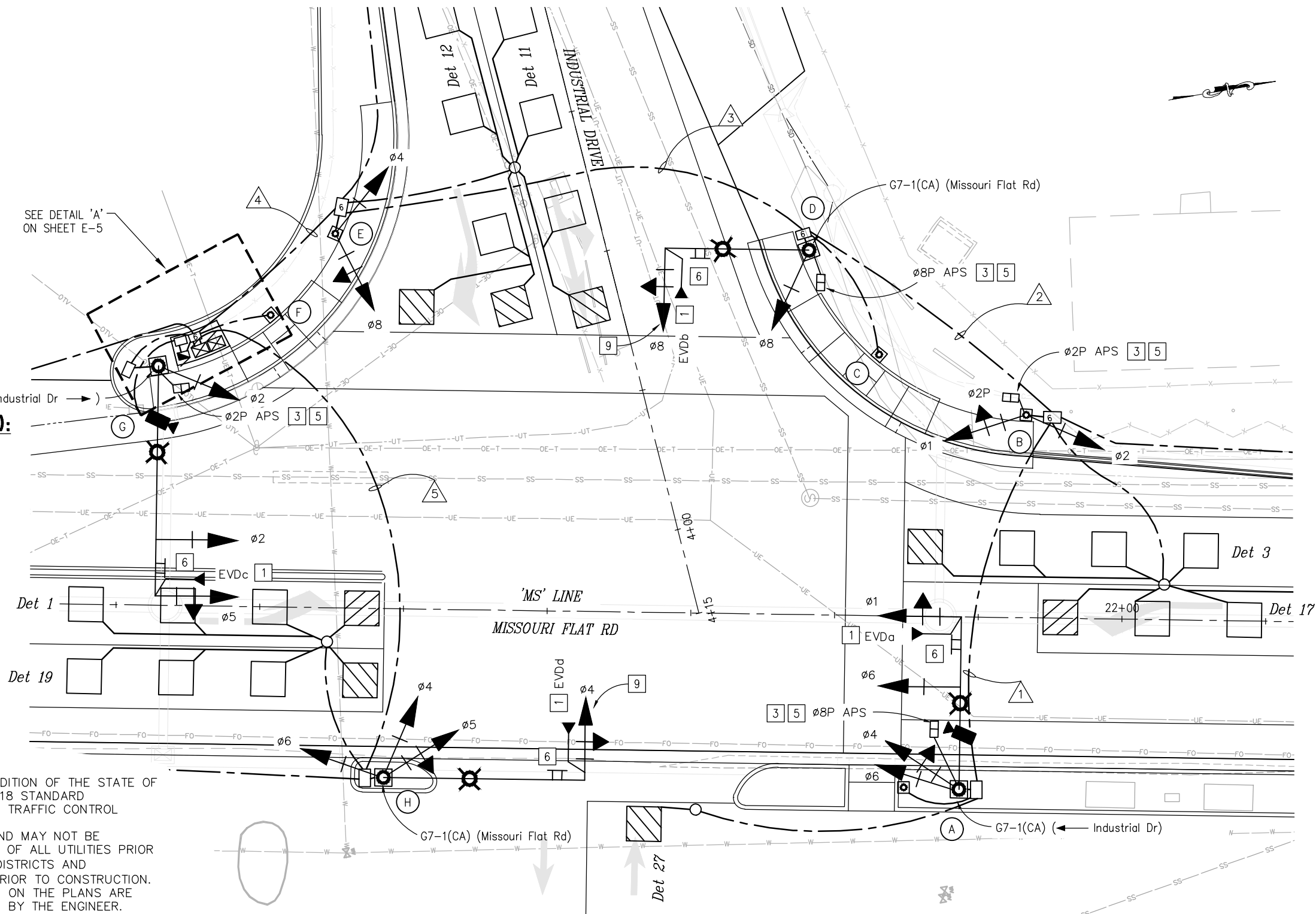
DESIGN SPEED:
 ENTERPRISE DRIVE = 30 MPH
 MISSOURI FLAT ROAD = 45 MPH
 EVDa = 01, 06
 EVDb = 08
 EVDc = 05, 02
 EVDd = 08

PROJECT NOTES (FOR THIS SHEET ONLY):

- 1 INSTALL EVD ON SIGNAL HEAD PER RSP ES-4E.
- 2 INSTALL CCTV AND CAMERA INTERCONNECT CABLE TO CONTROLLER CABINET. SEE CALTRANS REVISED STANDARD PLAN ES-16B FOR POLE DETAILS.
- 3 INSTALL APS ON PBA POLE.
- 4 INSTALL APS ON SIGNAL POLE.
- 5 INSTALL PEDESTRIAN SIGNAL MODULE WITH COUNTDOWN.
- 6 INSTALL SIGN R3-4.
- 7 G7-1(CA) SIGN PANELS TO BE MOUNTED ON SIGNAL STANDARD DIRECTLY ABOVE THE SIGNAL MAST ARM CONNECTION.
- 8 R13A(CA) SIGN PANELS TO BE MOUNTED ON SIGNAL STANDARD DIRECTLY BELOW THE SIGNAL HEAD.
- 9 INSTALL 4-SECTION VEHICLE SIGNAL HEAD. SEE DETAIL THIS SHEET.

TRAFFIC SIGNAL GENERAL NOTES:

1. ALL WORK SHALL BE PERFORMED IN ACCORDANCE WITH THE CURRENT 2018 EDITION OF THE STATE OF CALIFORNIA DEPARTMENT OF TRANSPORTATION STANDARD PLANS AND THE 2018 STANDARD SPECIFICATIONS, THE 2014 REVISION OF THE CALIFORNIA MANUAL OF UNIFORM TRAFFIC CONTROL DEVICES, AND THE SPECIAL PROVISIONS.
2. LOCATIONS OF EXISTING UTILITIES SHOWN ON THIS PLAN ARE APPROXIMATE AND MAY NOT BE COMPLETE. CONTRACTOR SHALL VERIFY THE EXISTENCE, LOCATION AND DEPTH OF ALL UTILITIES PRIOR TO CONSTRUCTION. CONTRACTOR SHALL CONTACT ALL UTILITY COMPANIES / DISTRICTS AND UNDERGROUND SERVICE ALERT (USA, 800-642-2444) AT LEAST 72 HOURS PRIOR TO CONSTRUCTION.
3. THE LOCATION OF ALL PULL BOXES, CONDUITS AND OTHER EQUIPMENT SHOWN ON THE PLANS ARE APPROXIMATE AND MAY BE CHANGED TO SUIT FIELD CONDITIONS AS DIRECTED BY THE ENGINEER.
4. ALL SIGNAL POLES SHALL HAVE A MINIMUM OF 4.5' CLEARANCE FROM THE FACE OF CURB OR EDGE OF PAVEMENT UNLESS OTHERWISE NOTED ON THE PLANS.
5. ALL PULL BOXES SHALL BE No. 5 UNLESS OTHERWISE NOTED ON THE PLANS.
6. ALL DETECTOR LOOPS SHALL BE INSTALLED AT THE CENTER OF THE TRAVEL LANE UNLESS OTHERWISE NOTED ON THE PLANS OR DIRECTED BY THE ENGINEER. SEE CALTRANS STANDARD PLANS ES-5A & ES-5B FOR DETAILS.
7. DETECTOR HANDHOLES AND HOME RUN CONDUIT SHALL BE PLACED IN COMMON TRENCH WITH PARALLEL CONDUITS.
8. ALL TRAFFIC PULL BOXES SHALL BE WELDED. SEE DETAIL ON SHEET E-8. DO NOT WELD UNTIL INSPECTION COMPLETE.
9. ALL ADVANCE LOOPS SHALL BE PRE-FORMED TYPE "A" LOOPS.
10. ALL PULL BOXES MUST BE TRAFFIC RATED OTHERWISE NOTED ON THE PLANS.
11. ALL SIGNAL HEADS SHALL HAVE 2-INCH TYPE XI FLUORESCENT YELLOW RETROREFLECTIVE STRIP AROUND THE PERIMETER FACE.



DETAIL A
4-SECTION SIGNAL HEAD
NO SCALE

THIS SHEET ACCURATE FOR ELECTRICAL WORK ONLY

**INDUSTRIAL DR
SIGNAL AND LIGHTING PLAN
SCALE : 1" = 10'**



PREPARED UNDER THE SUPERVISION OF:

 REGISTERED CIVIL ENGINEER
 DATE: 4/18/23

DESIGNED: JN AN
 DRAWN: AN
 CHECKED: DH
 DATE: 03/29/23
 ROAD NUMBER: 009



**COUNTY OF EL DORADO
DEPARTMENT OF TRANSPORTATION**

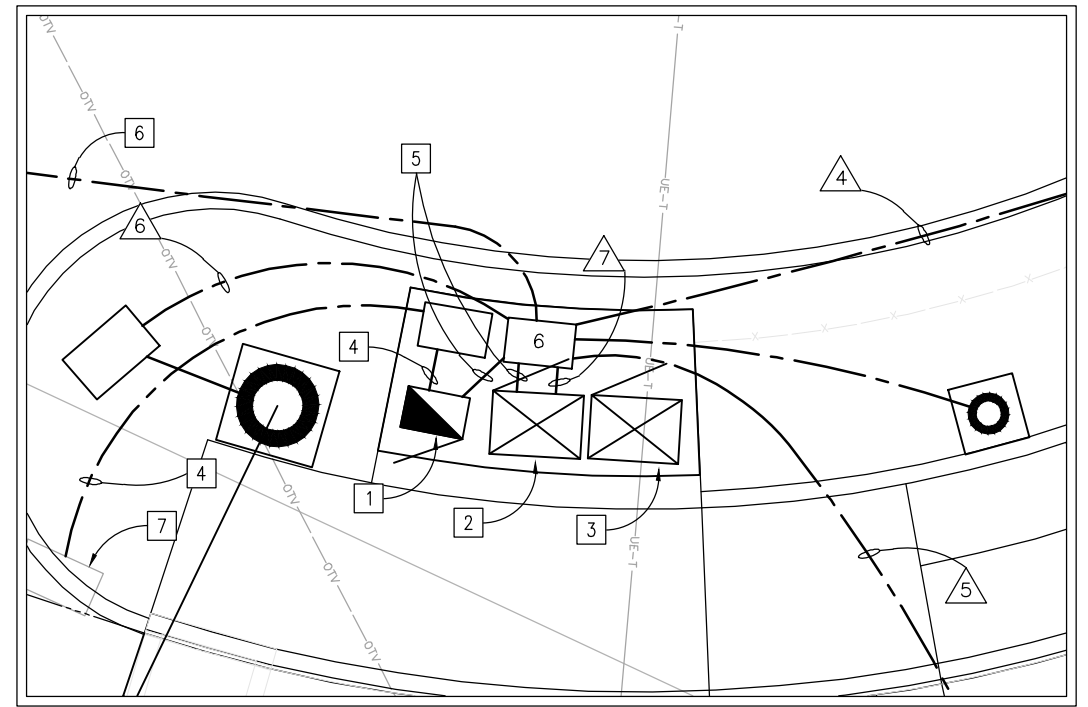
**ENTERPRISE DR AND INDUSTRIAL DR
INTERSECTION IMPROVEMENTS**

REVISION	NUMBER	DATE	DESCRIPTION	BY

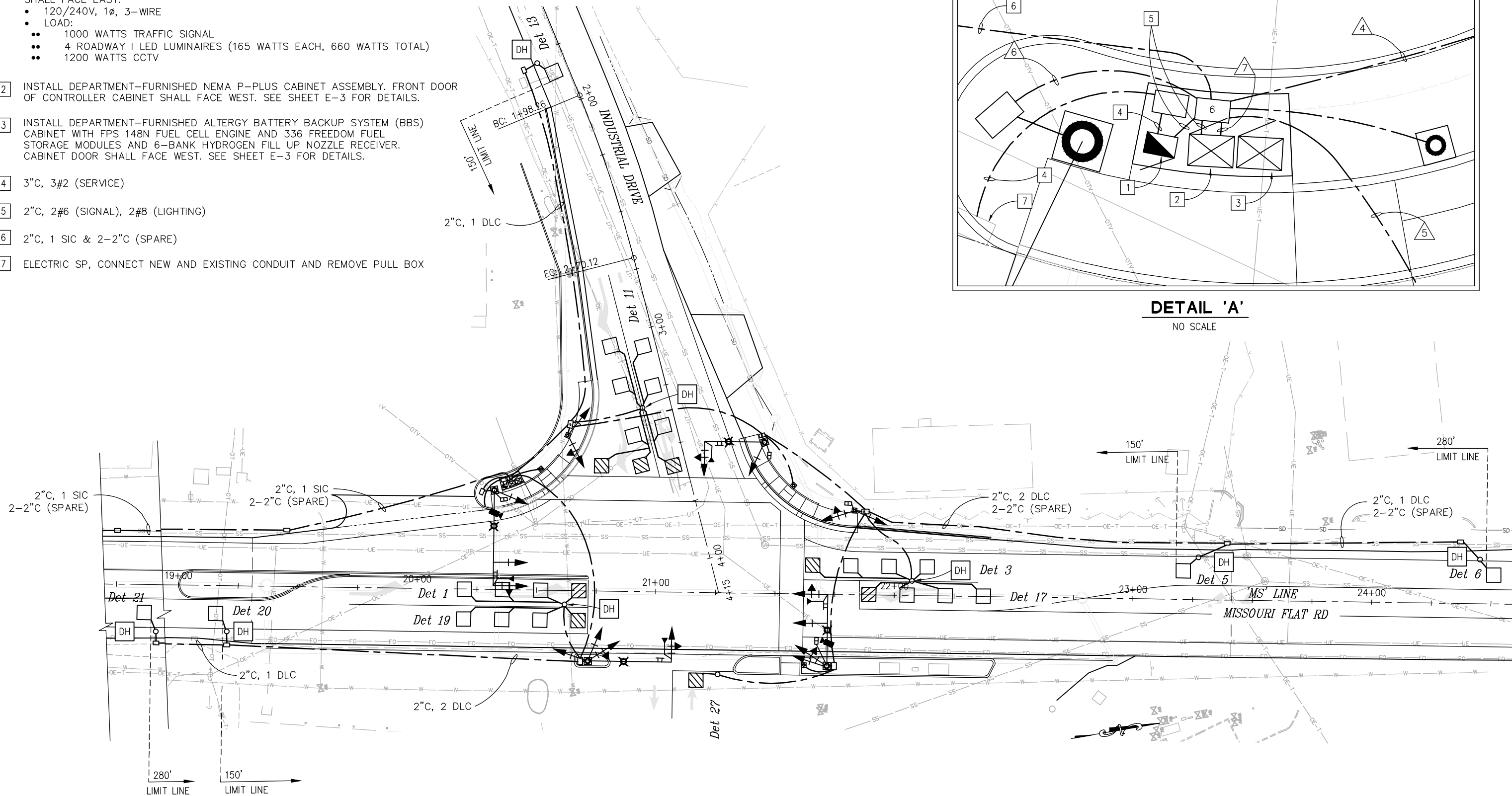
SHEET
E-4
 62 OF 66
 W.O. No. **6286**

PROJECT NOTES (FOR THIS SHEET ONLY):

- 1 FURNISH & INSTALL TYPE III-AF SERVICE EQUIPMENT ENCLOSURE. FRONT DOOR SHALL FACE EAST.
 - 120/240V, 1Ø, 3-WIRE
 - LOAD:
 - 1000 WATTS TRAFFIC SIGNAL
 - 4 ROADWAY I LED LUMINAIRES (165 WATTS EACH, 660 WATTS TOTAL)
 - 1200 WATTS CCTV
- 2 INSTALL DEPARTMENT-FURNISHED NEMA P-PLUS CABINET ASSEMBLY. FRONT DOOR OF CONTROLLER CABINET SHALL FACE WEST. SEE SHEET E-3 FOR DETAILS.
- 3 INSTALL DEPARTMENT-FURNISHED ALTERGY BATTERY BACKUP SYSTEM (BBS) CABINET WITH FPS 148N FUEL CELL ENGINE AND 336 FREEDOM FUEL STORAGE MODULES AND 6-BANK HYDROGEN FILL UP NOZZLE RECEIVER. CABINET DOOR SHALL FACE WEST. SEE SHEET E-3 FOR DETAILS.
- 4 3" C, 3#2 (SERVICE)
- 5 2" C, 2#6 (SIGNAL), 2#8 (LIGHTING)
- 6 2" C, 1 SIC & 2-2" C (SPARE)
- 7 ELECTRIC SP, CONNECT NEW AND EXISTING CONDUIT AND REMOVE PULL BOX



DETAIL 'A'
NO SCALE



ORIGINAL SCALE IS IN INCHES
 Drawing name: Z:\Civil 3D Projects\73365 73366 Enterprise-Industrial\CADD_Files\Sheets\E-Sheets.dwg Layout Tab: E-5 Apr 20, 2023 - 12:09pm smevey
 FOR REDUCED PLANS
 2
 1
 0

THIS SHEET ACCURATE FOR ELECTRICAL WORK ONLY

**INDUSTRIAL DR
SIGNAL AND LIGHTING PLAN
SCALE : 1" = 10'**

REVISION	NUMBER	DATE	DESCRIPTION	BY



PREPARED UNDER THE SUPERVISION OF:

 REGISTERED CIVIL ENGINEER
 DATE: 4/18/23

DESIGNED: JN
 DRAWN: AN
 CHECKED: DH
 DATE: 03/29/23
 ROAD NUMBER: 009



**COUNTY OF EL DORADO
DEPARTMENT OF TRANSPORTATION**

**ENTERPRISE DR AND INDUSTRIAL DR
INTERSECTION IMPROVEMENTS**

SHEET
E-5
 63 OF 66
 W.O. No. **6286**

ORIGINAL SCALE IS IN INCHES
 Drawing name: Z:\Civil 3D Projects\73365 Enterprise-Industrial\CADD Files\Sheets\E-Sheets.dwg Layout Tab: E-6 Apr 20, 2023 - 12:09pm smevey
 FOR REDUCED PLANS
 2
 1
 0

POLE AND EQUIPMENT SCHEDULE

NO.	STANDARD			VEHICLE SIGNAL MOUNTING			PEDESTRIAN SIGNAL MOUNTING		PBA		LED LUMINAIRE (WATTS)	LOCATION		REMARKS *
	TYPE	SIG. MA (FT)	LUM. MA (FT)	Ø	MAST ARM	Ø	POLE	Ø	POLE	Ø		ARROW	STATION **	
(A)	26-3-100	30	12	6 1	MAS MAS	4 6	SV-2-TB	8	SP-1-T	8	→	ROADWAY I (165 W)	'MS' 22+80.00 30.00 RT	INSTALL EVD _a ON SIGNAL HEAD. INSTALL R73-3(CA) ON SIGNAL MAST ARM. INSTALL APS SIGN ON SIGNAL POLE. INSTALL G7-1(CA) (ENTERPRISE DRIVE) ON STANDARD DIRECTLY ABOVE THE MAST ARM CONNECTION WITH STRAP & SADDLE BRACKET METHOD. F=11.92' *
(B)	1-B					1 2	TV-2-T	2	SP-1-T				'MS' 22+93.00 37.25 LT	
(C)	PBA									2 8	← →		'MS' 22+75.00 50.00 LT	INSTALL APS SIGN.
(D)	19-2-100	25	12	8	MAS-4B	8	SV-1-T	8	SP-1-T			ROADWAY I (165 W)	'MS' 22+61.50 69.00 LT	INSTALL EVD _b ON SIGNAL HEAD. INSTALL R73-3(CA) ON SIGNAL MAST ARM. INSTALL G7-1(CA) (MISSOURI FLAT ROAD) ON STANDARD DIRECTLY ABOVE THE MAST ARM CONNECTION WITH STRAP & SADDLE BRACKET METHOD.
(E)	1-B					4 8	TV-2-T						'MS' 21+76.00 87.00 LT	
(F)	1-B							2	SP-1-T	2	→		'MS' 21+70.00 59.00 LT	INSTALL APS SIGN.
(G)	26-3-100	40	12	2 5	MAS MAS	2	SV-1-T					ROADWAY I (165 W)	'MS' 21+45.00 42.50 LT	INSTALL EVD _c ON SIGNAL HEAD. INSTALL R73-3(CA) ON SIGNAL MAST ARM. INSTALL CCTV ON STANDARD. INSTALL G7-1(CA) (ENTERPRISE DRIVE) ON STANDARD DIRECTLY ABOVE THE MAST ARM CONNECTION WITH STRAP & SADDLE BRACKET METHOD. F=10.62' *
(H)	19-2-100	30	12	4	MAS-4B	4 5 6	SV-3-TB					ROADWAY I (165 W)	'MN' 21+85.00 28.00 RT	INSTALL EVD _d ON SIGNAL HEAD. INSTALL R73-3(CA) ON SIGNAL MAST ARM. INSTALL APS SIGN ON SIGNAL POLE. INSTALL G7-1(CA) (MISSOURI FLAT ROAD) ON STANDARD DIRECTLY ABOVE THE MAST ARM CONNECTION WITH STRAP & SADDLE BRACKET METHOD.

* OTHER REQUIREMENTS ARE COVERED BY NOTES, LEGEND, SPECIAL PROVISIONS AND STANDARD SPECIFICATIONS.
 FOR TYPE OF STANDARD AND VEHICLE SIGNAL MOUNTING, SEE CALTRANS STANDARD PLANS.
 ** FINAL LOCATION WILL BE DETERMINE BY THE ENGINEER.

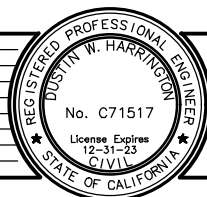
CONDUCTOR & CONDUIT SCHEDULE

CABLE TYPE	PHASE	STD	NUMBER OF CONDUCTORS														
			RUN NUMBER														
			△1	△2	△3	△4	△5	△6	△7								
VEH-PED 12CSC	1, 4, 6, 8P	8PBA	POLE (A)	1	1	1	1	1	1	1	1	1	1	1	1	1	
	1, 2, 2P		POLE (B)		1	1	1	1								1	
		2PBA, 8PBA	POLE (C)			1	1	1								1	
	8, 8P		POLE (D)			1	1									1	
	4, 8		POLE (E)				1									1	
		2PBA	POLE (F)														1
	2, 5, 2P		POLE (G)												1	1	
	4, 5, 6		POLE (H)											1	1	1	
TOTAL CABLES 12/3 CONDUCTORS				1	1	2	3	2	4	2	1	1	1	6	3		
#8	LIGHTING			2	2	2	2	2	2	2							
#6	CONTROLLER																
TYPE B DLC	Det 1													1	1		
	Det 3															1	
	Det 5															1	
	Det 6															1	
	Det 11															1	
	Det 12															1	
	Det 13															1	
	Det 17															1	
	Det 19															1	
	Det 20															1	
Det 21															1		
Det 27															1		
TOTAL																12	
GRIDSMArt CAMERA CABLE				1	1	1	1							1	2		
EVD				1	1	2	2	1	1	1				1	4		
CONDUIT SIZE				3"	4"	4"	4"	4"	3"	2"						2-4"	
% FILL				12	15	19	26	13	20							19	

- NOTES:
- CAMERA INTERCONNECT CABLE PLACED IN 1-2"C BY ITSELF.
 - APS SIGN MUST BE R10-3eR OR R10-3eL.
 - ADD 2-2"C (SPARE) TO RUNS △2, △3, △4, △5, AND △7. SPARE CONDUIT TO BE SCHEDULE 40 HDPE, ORANGE COLOR.

INDUSTRIAL DR
 SIGNAL AND LIGHTING PLAN
 SCALE : NONE

REVISION	NUMBER	DATE	DESCRIPTION	BY



PREPARED UNDER THE SUPERVISION OF :
Justin W. Harrington
 REGISTERED CIVIL ENGINEER
 DATE: 4/18/23

DESIGNED: JN
 DRAWN: AN
 CHECKED: DH
 DATE: 03/29/23
 ROAD NUMBER: 009

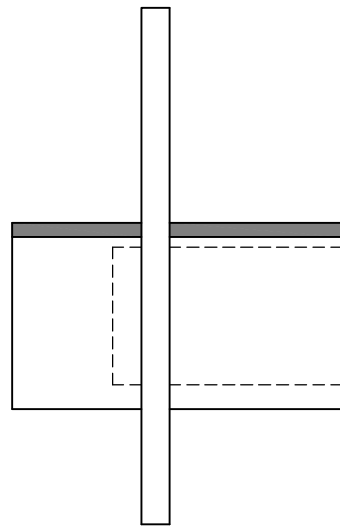
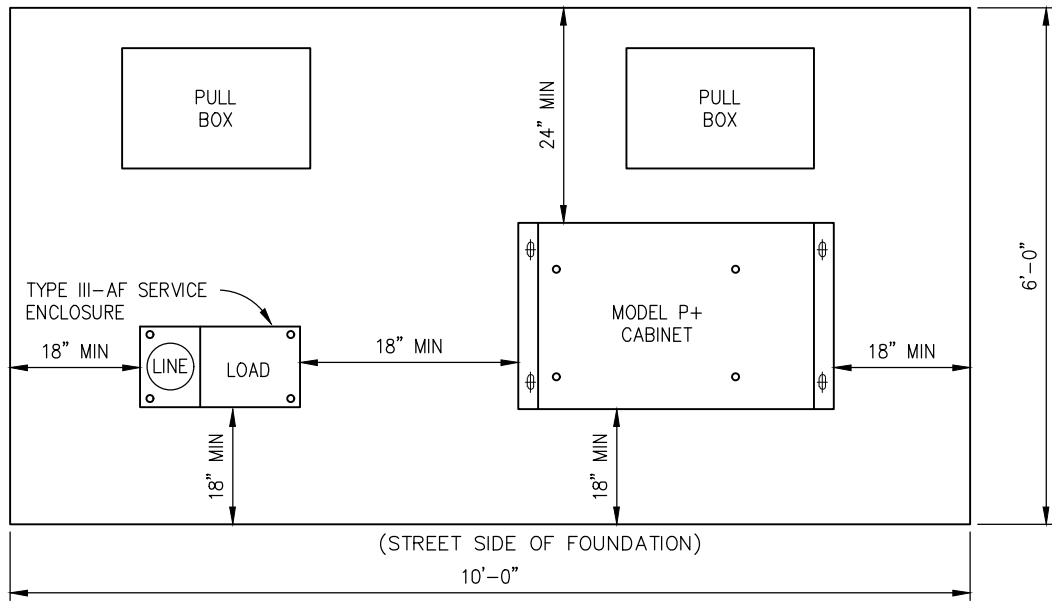


COUNTY OF EL DORADO
 DEPARTMENT OF TRANSPORTATION

ENTERPRISE DR AND INDUSTRIAL DR
 INTERSECTION IMPROVEMENTS

SHEET
E-6
 64 OF 66
 W.O. No. **6286**

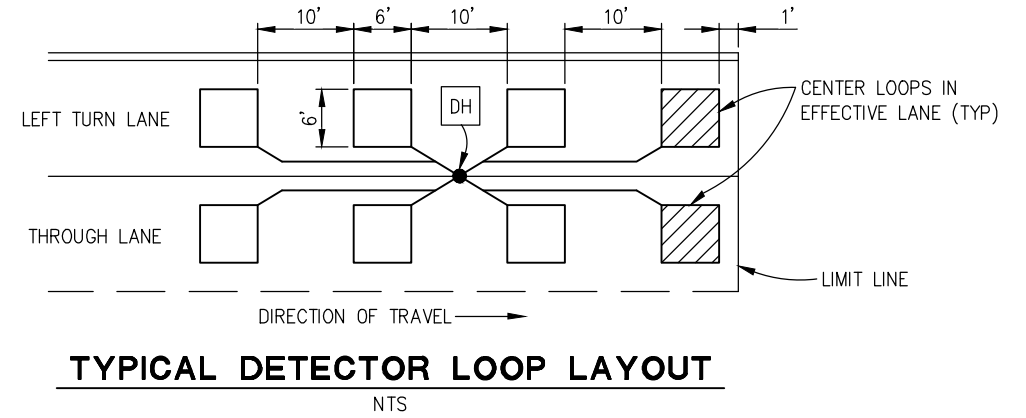
ORIGINAL SCALE IS IN INCHES
 Drawing name: Z:\Civil 3D Projects\73365 Enterprise-Industrial\CADD Files\Sheets\E-Sheets.dwg Layout: Tab: E-7 Apr 20, 2023 - 12:10pm smevey
 FOR REDUCED PLANS



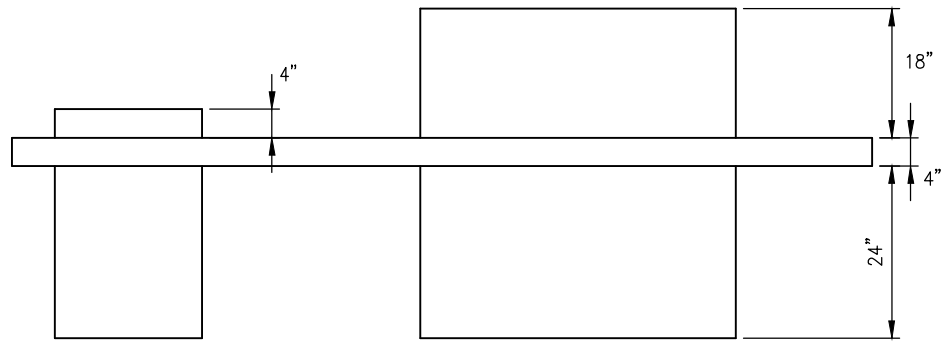
FOUNDATION END PROFILE

IN ADDITION TO MEETING ALL CURRENT CALTRANS SPECIFICATIONS, THE FOUNDATION FOR THE ELECTRICAL SYSTEMS CONTROLLER CABINET SHALL MEET THE FOLLOWING EL DORADO COUNTY SPECIAL PROVISIONS:

- 3" LONG SLEEVE NUTS ARE TO BE PROVIDED TO ACCOMMODATE THE INSTALLATION OF EITHER A MODEL 332 CABINET OR A CALTRANS TYPE P CABINET. SLEEVE INSTALLATION SHALL CONFORM TO CALTRANS 2006 STANDARD PLAN ES-6B, DETAIL B.
- ELECTRICAL PULL BOXES SHALL NOT BE LOCATED IN PEDESTRIAN TRAVELWAY (SIDEWALK).
- CABINET DOORS SHALL NOT PROTRUDE INTO PEDESTRIAN TRAVELWAY (SIDEWALK) WHEN OPEN.
- IN NO CASE SHALL THE SIGNAL CABINET, BATTERY BACKUP CABINET OR SERVICE CABINET BE LESS THAN FOUR (4) FEET FROM THE EDGE OF PAVEMENT OR TOP BACK OF CURB, WHICH EVER IS GREATER.



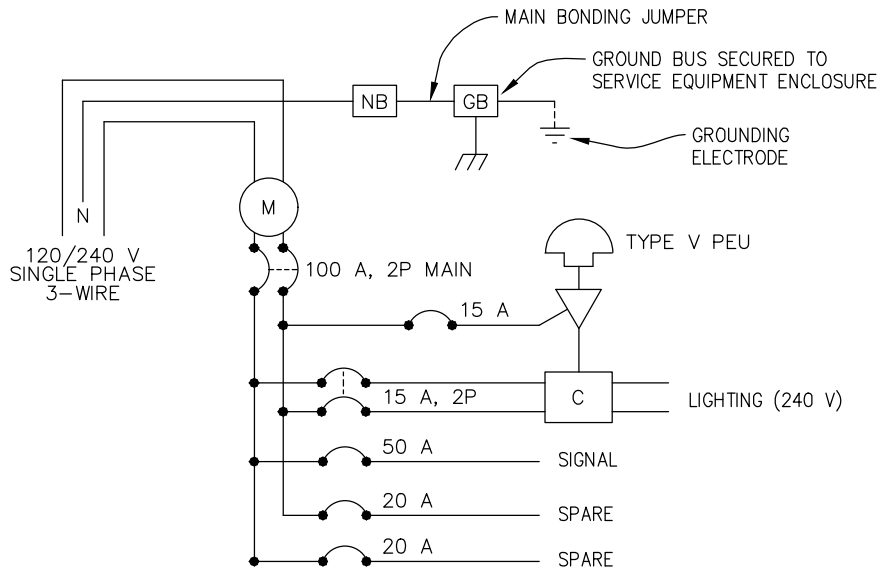
TYPICAL DETECTOR LOOP LAYOUT



FOUNDATION SIDE PROFILE

TYPICAL SIGNAL CONTROLLER PAD

NTS

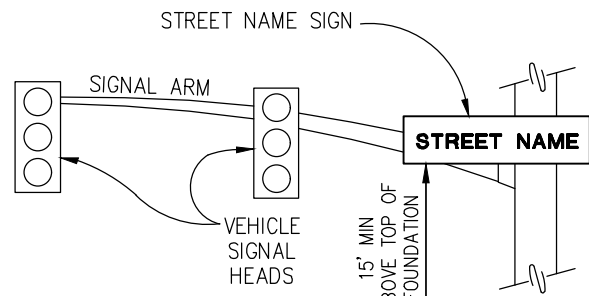


WIRING DIAGRAM LEGEND:

- C CONTACTOR
- GB GROUND BUS
- NB NEUTRAL BUS
- AUTO-TEST SWITCH (15 A, 1P)
- PHOTOELECTRIC UNIT
- M METER SOCKET

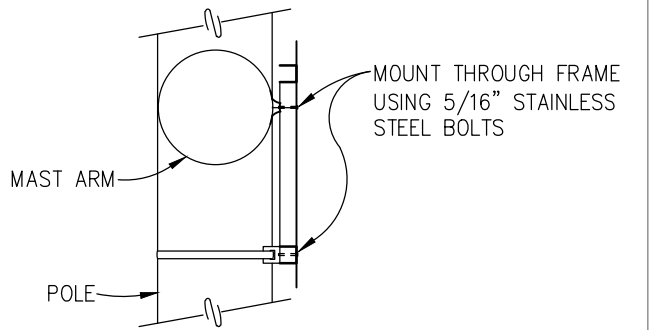
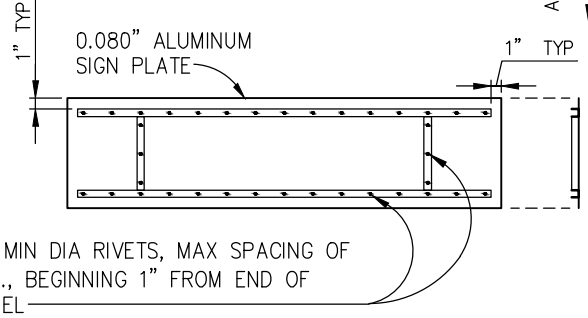
SERVICE EQUIPMENT WIRING DIAGRAM

NTS



NOTES:

- ALL HANGER COMPONENTS TO BE GALVANIZED, EXCEPT STAINLESS STEEL BANDS.
- ATTACH SIGN TO POLE AND SIGNAL MAST ARM VIA SADDLE BRACKETS.
- SEE EQUIPMENT SCHEDULE FOR MESSAGE.
- SEE SPECIAL PROVISIONS FOR SIGN SPECIFICATIONS.
- FRAME MATERIAL: 1 1/4" X 1 1/4" X 3/16" ALUMINUM CHANNEL -ALLOY 6063-T5



STREET NAME SIGN MOUNTING DETAIL

NTS

THIS SHEET ACCURATE FOR ELECTRICAL WORK ONLY

SIGNAL AND LIGHTING DETAILS
SCALE : AS SHOWN

REVISION	NUMBER	DATE	DESCRIPTION	BY



PREPARED UNDER THE SUPERVISION OF:
Justin W. Harrington
 REGISTERED CIVIL ENGINEER
 DATE: 4/18/23

DESIGNED: JN AN
 DRAWN: AN
 CHECKED: DH
 DATE: 03/29/23
 ROAD NUMBER: 009

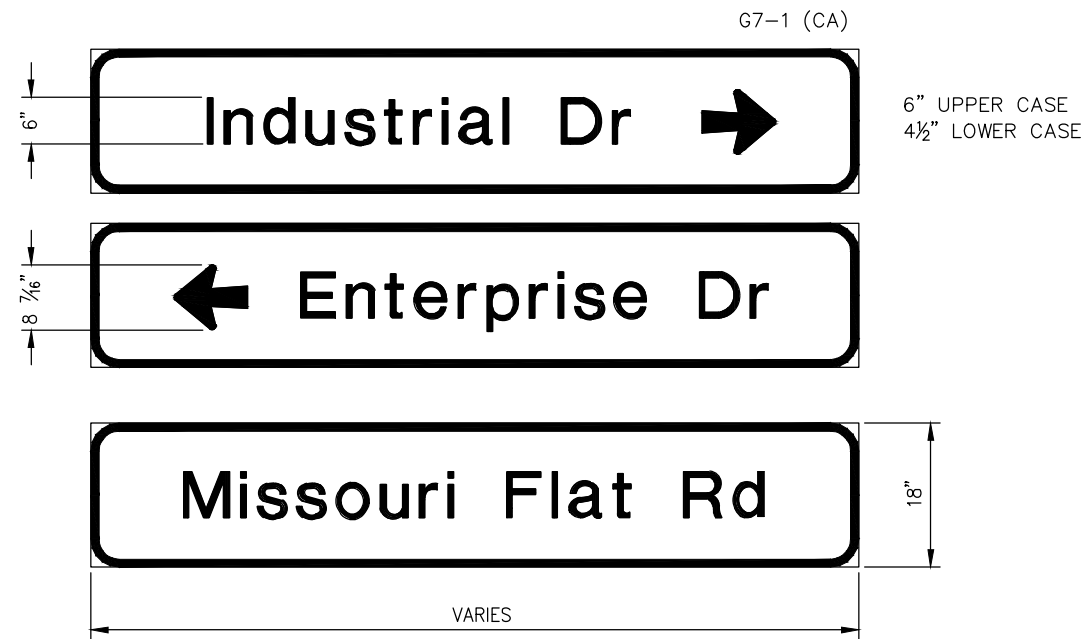


COUNTY OF EL DORADO
DEPARTMENT OF TRANSPORTATION

ENTERPRISE DR AND INDUSTRIAL DR
INTERSECTION IMPROVEMENTS

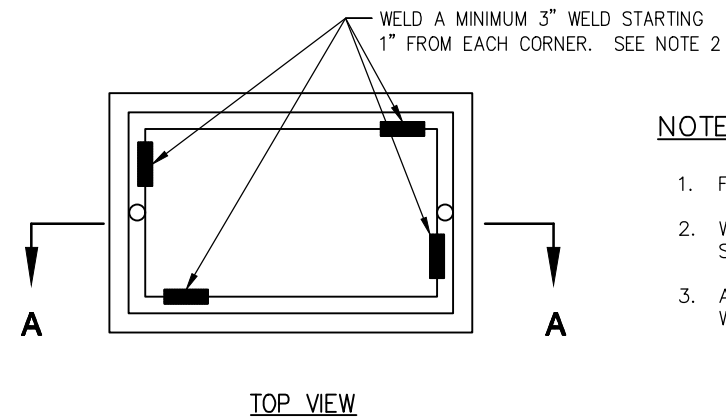
SHEET
E-7
65 OF 66
W.O. No. **6286**

ORIGINAL SCALE IS IN INCHES
 Drawing name: Z:\Civil 3D Projects\73365 73366 Enterprise-Industrial\CADD Files\Sheets\E-Sheets.dwg Layout Tab: E-8 Apr 20, 2023 - 12:10pm smevey
 FOR REDUCED PLANS
 2
 1
 0



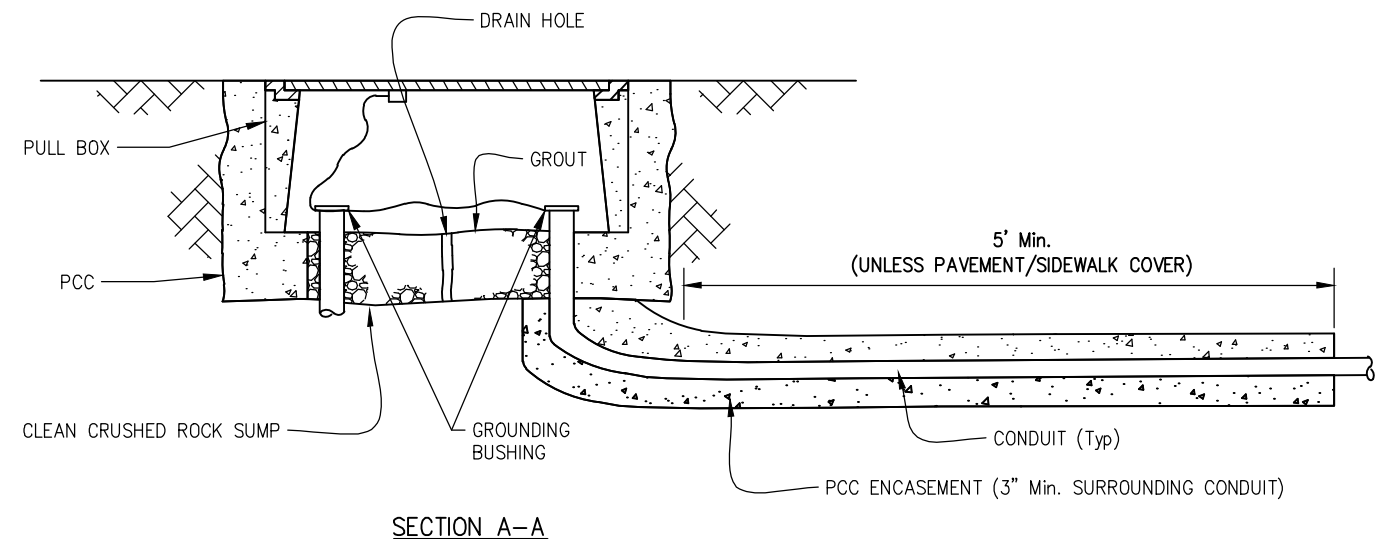
NOTES:
 1. SIGN PANEL DIMENSIONS SHOWN ARE TYPICAL.

STREET NAME SIGN PANELS
 NO SCALE



NOTES ON PULL BOXES:

1. FOR ADDITIONAL DETAILS, SEE STANDARD PLAN ES-8B.
2. WELDING SHALL COMPLY WITH REQUIREMENT IN STANDARD SPECIFICATION SECTION 75.
3. A PULL BOX FOR A POST OR A POLE STANDARD MUST BE LOCATED WITHIN 5 FEET OF THE STANDARD.



TRAFFIC PULL BOX
 NO SCALE

THIS SHEET ACCURATE FOR ELECTRICAL WORK ONLY

SIGNAL AND LIGHTING DETAILS
SCALE : AS SHOWN

REVISION	NUMBER	DATE	DESCRIPTION	BY



PREPARED UNDER THE SUPERVISION OF :
Justin W. Harrington
 REGISTERED CIVIL ENGINEER
 DATE: 4/18/23

DESIGNED: JN
 DRAWN: AN
 CHECKED: DH
 DATE: 03/29/23
 ROAD NUMBER: 009



COUNTY OF EL DORADO
DEPARTMENT OF TRANSPORTATION

ENTERPRISE DR AND INDUSTRIAL DR
INTERSECTION IMPROVEMENTS

SHEET
E-8
 66 OF 66
 W.O. No. **6286**