

at&t

SITE NUMBER: CVL03180

SITE NAME: PLEASANT VALLEY

4559 STRAUSS DRIVE
 PLACERVILLE, CA 95667
 JURISDICTION: ELDORADO COUNTY

SITE TYPE: MONOPINE/SHELTER

Issued For:
PLEASANT VALLEY
 4559 STRAUSS DRIVE
 PLACERVILLE, CA 95667

PREPARED FOR

 2600 Camino Ramon, 4W850 N
 San Ramon, California 94583



AT&T SITE NO: CVL03180
 PROJECT NO: 13787610
 DRAWN BY: CES
 CHECKED BY: CES

REV	DATE	DESCRIPTION
0	07/05/17	ZD 90%
1	08/03/17	ZD 100% SHELTER CHANGE

Licensors:

 IT IS A VIOLATION OF LAW FOR ANY PERSON, UNLESS THEY ARE ACTING UNDER THE DIRECTION OF A LICENSED PROFESSIONAL ENGINEER, TO ALTER THIS DOCUMENT.

Engineer:
ADAPTIVE RE-USE ENGINEERING
 Craig Horner, PE 84674
 214-407-3184
 3112 LEATHA WAY
 SACRAMENTO, CA 95821
 craighorner@yahoo.com

SHEET TITLE:
TITLE SHEET

SHEET NUMBER:
T-1

PROJECT DESCRIPTION

NEW SITE BUILD UNMANNED TELECOMMUNICATIONS FACILITY.

- BRING POWER / TELCO / FIBER TO SITE LOCATION
- GRAVEL ROAD IMPROVEMENT FROM ROW
- 40'x45' FENCED LEASE AREA
- INSTALL AT&T APPROVED PRE-MANUFACTURED EQUIPMENT SHELTER AND ASSOCIATED INTERIOR EQUIPMENT
- ADD (1) NEW GPS UNITS
- ADD 160'-0" MONOPINE
- ADD (12) ANTENNAS (4) PER ALPHA, BETA, GAMMA SECTOR
- ADD (21) RRS
- ADD (4) SURGE SUPPRESSORS
- ADD (2) FUTURE 4' MICROWAVE DISHES
- ADD 6'-0" HIGH CHAIN LINK FENCE W/ VYNAL SLATS
- ADD 35KW LP PROPANE GENERATOR
- ADD 500 GAL LP PROPANE STORAGE TANK

PROJECT INFORMATION

PROPERTY INFORMATION:
 SITE NAME: PLEASANT VALLEY
 SITE NUMBER: CVL03180

PROPERTY OWNER:
 VINCENT & JO ANNE GLOWCZWSKIE
 4559 STRAUSS DRIVE
 PLEASANT VALLEY, CA 95667

SEARCH RING: PLEASANT VALLEY
 FA# 13787610
 SITE ADDRESS: 4559 STRAUSS DRIVE
 PLACERVILLE, CA 95667

POWER AGENCY:
 PG&E
 PG&E CORPORATION
 1 MARKET STREET, SPEAR TOWER
 SAN FRANCISCO, CA 94105
 PH: 1-800-743-5000

TELEPHONE AGENCY:
 AT&T
 525 MARKET STREET, SPEAR TOWER
 SAN FRANCISCO, CA 94105
 PH: 1-800-310-2355

A.P.N. NUMBER: 078-180-38-100

CURRENT USE: SINGLE FAMILY RESIDENTIAL,
 RURAL RESEDENTIAL

PROPOSED USE: (U) UNMANNED
 TELECOMMUNICATION FACILITY

JURISDICTION: ELDORADO COUNTY

LATITUDE: N 38° 41' 02.92"

LONGITUDE: W 120° 39' 43.12"

GROUND ELEVATION: ±2497.0 FT. AMSL

PROJECT TEAM

APPLICANT / LESSEE:
 AT&T
 5001 EXECUTIVE PARKWAY
 SAN RAMON, CA 945834

A&E DESIGN GROUP:
 COMPANY: EPIC WIRELESS
 CONTACT: CARL SYLVESTER
 CARL.SYLVESTER@EPICWIRELESS.NET
 PH: (530) 933-2763

ARCHITECT / ENGINEER:
 ADAPTIVE RE-USE ENGINEERING
 CONTACT: CRAIG HORNER, PE 84674
 EMAIL: CRAIGHORNER@YAHOO.COM
 PH: (214) 407-3184

CIVIL VENDOR:
 VINULUMS CM
 CONTACT: KEN ABEL
 EMAIL: KABEL@VINULUMS.COM
 PH: (916) 844-4602

RF ENGINEER:
 AT&T CONTACT: MUHAMMAD AHMED
 EMAIL: MA912P@ATT.COM

PROJECT MGR.:
 EPIC WIRELESS
 CONTACT: NICK TAGAS
 EMAIL: NICK.TAGAS@EPICWIRELESS.NET
 PH: (916) 990-1446

SITE ACQUISITION:
 COMPANY: EPIC WIRELESS
 CONTACT: JARED KEARSLEY (ZONING MGR.)
 EMAIL: JARED.KEARSLEY@EPICWIRELESS.NET
 CELL: (916) 755-1326

CONSTRUCTION MGR.:
 COMPANY: EPIC WIRELESS
 CONTACT: PETE MANAS
 EMAIL: PETE.MANAS@EPICWIRELESS.NET
 PH: (530) 383-5957

SHEET INDEX

T-1	TITLE SHEET
GN-1	GENERAL NOTES
C-1	SITE SURVEY (BY OTHERS) FOR REFERENCE ONLY
C-2	SITE SURVEY (BY OTHERS) FOR REFERENCE ONLY
C-2.1	EROSION CONTROL NOTES
C-2.2	GRADING PLAN & DETAILS
A-1	OVERALL SITE PLAN - EXTERIOR EQUIPMENT SHELTER
A-1.1	SITE PLAN - EXTERIOR EQUIPMENT SHELTER
A-2	EQUIPMENT AREA PLAN - EXTERIOR EQUIPMENT SHELTER
A-3	ANTENNA PLAN & DETAILS - MONOPINE
A-4.1	PROPOSED MONOPINE NORTH - SOUTH ELEVATION
A-4.2	PROPOSED MONOPINE WEST - EAST ELEVATION

CODE COMPLIANCE

ALL WORK AND MATERIALS SHALL BE PERFORMED AND INSTALLED IN ACCORDANCE WITH THE CURRENT EDITIONS OF THE FOLLOWING CODES AS ADOPTED BY THE LOCAL GOVERNING AUTHORITIES. NOTHING IN THESE PLANS IS TO BE CONSTRUCTED TO PERMIT WORK NOT CONFORMING TO THESE CODES:

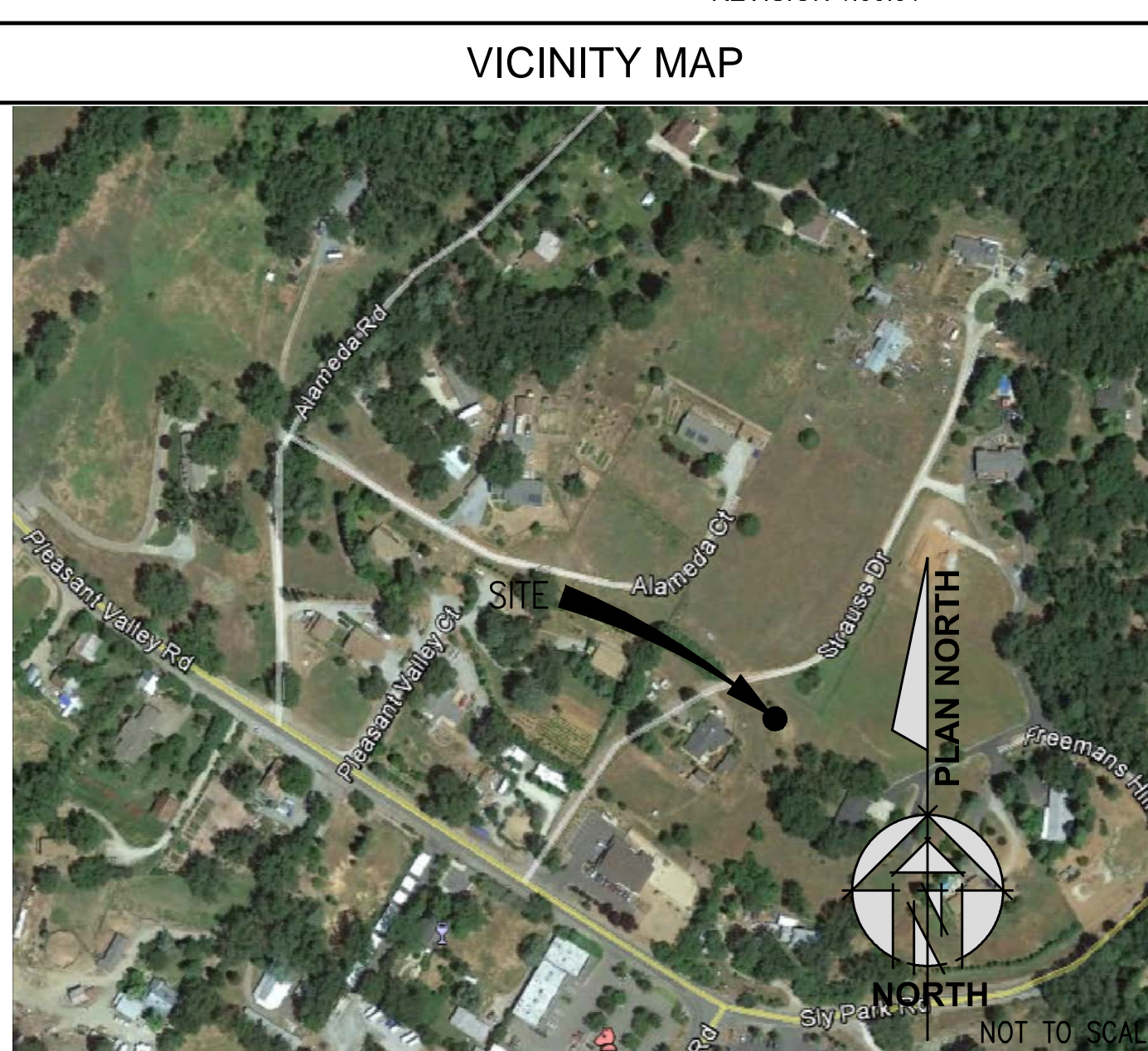
- 2016 CALIFORNIA ADMINISTRATIVE CODE, PART 1, TITLE 24, C.C.R. (CALIFORNIA CODE OF REGULATIONS)
- 2016 CALIFORNIA BUILDING CODE (CBC), PART 2, TITLE 24, C.C.R. (VOLUMES 1 & 2), (2015 INTERNATIONAL BUILDING CODE)
- 2016 CALIFORNIA ELECTRICAL CODE (CEC), PART 3, TITLE 24, C.C.R., (2014 NATIONAL ELECTRICAL CODE)
- 2016 CALIFORNIA MECHANICAL CODE (CMC), PART 4, TITLE 24, C.C.R., (2015 UNIFORM MECHANICAL CODE)
- 2016 CALIFORNIA PLUMBING CODE (CPC), PART 5, TITLE 24, C.C.R., (2015 UNIFORM PLUMBING CODE)
- 2016 CALIFORNIA ENERGY CODE (CEC), PART 6, TITLE 24, C.C.R.
- 2016 CALIFORNIA HISTORICAL BUILDING CODE, PART 8, TITLE 24, C.C.R., (2015 INTERNATIONAL BUILDING CODE)
- 2016 CALIFORNIA FIRE CODE, PART 9, TITLE 24 C.C.R., (2015 INTERNATIONAL FIRE CODE)
- 2016 CALIFORNIA EXISTING BUILDING CODE, PART 10, TITLE 24, C.C.R., (2015 INTERNATIONAL BUILDING CODE)
- 2016 CALIFORNIA GREEN BUILDING STANDARDS CODE, PART 11, TITLE 24 C.C.R., (CALGreen)
- 2016 CALIFORNIA REFERENCED STANDARDS, PART 12, TITLE 24 C.C.R.
- ANSI/EIA-TIA-222-G
- ALONG WITH ANY OTHER APPLICABLE LOCAL & STATE LAWS AND REGULATIONS.

DISABLED ACCESS REQUIREMENTS
 THIS FACILITY IS UNMANNED & NOT FOR HUMAN HABITATION. DISABLED ACCESS & REQUIREMENTS ARE NOT REQUIRED IN ACCORDANCE WITH CALIFORNIA STATE BUILDING CODE TITLE 24 PART 2, SECTION 11B-203.4

OCCUPANCY AND CONSTRUCTION TYPE

OCCUPANCY : U (UNMANNED)
 CONSTRUCTION TYPE: V-B

VICINITY MAP



SPECIAL INSPECTIONS

DIRECTIONS FROM AT&T

DIRECTIONS FROM AT&T'S OFFICE AT 2600 CAMINO RAMON, SAN RAMON, CA 2600 CAMINO RAMON
 SAN RAMON, CA 94583

- GET ON I-680 S 3 MIN (1.1 MI)
- HEAD SOUTHEAST ON CAMINO RAMON TOWARD BISHOP DR 0.3 MI
- TURN RIGHT ONTO BOLLINGER CANYON RD 0.5 MI
- USE THE RIGHT LANE TO MERGE ONTO I-680 S VIA THE RAMP TO SAN JOSE 0.3 MI
- TAKE I-580 E, I-205 E, I-5 N AND CA-88 E TO CA-124 N IN AMADOR COUNTY 1 H 27 MIN (87.5 MI)
- MERGE ONTO I-680 S 3.9 MI
- USE THE RIGHT 2 LANES TO TAKE EXIT 30B TO MERGE ONTO I-580 E TOWARD STOCKTON 20.5 MI
- KEEP LEFT TO CONTINUE ON I-205 E, FOLLOW SIGNS FOR INTERSTATE 205/TRACY/STOCKTON 14.5 MI
- MERGE ONTO I-5 N 12.3 MI
- USE THE RIGHT LANE TO TAKE THE CA-4 E EXIT TOWARD DOWNTOWN STOCKTON 0.7 MI
- KEEP LEFT AND MERGE ONTO CA-4 2.7 MI
- USE THE LEFT 2 LANES TO TAKE EXIT 68B TO MERGE ONTO CA-99 N TOWARD SACRAMENTO 1.8 MI
- TAKE EXIT 255 FOR CA-88 E/WATERLOO ROAD TOWARD JACKSON 0.2 MI
- TURN RIGHT ONTO CA-88 E (SIGNS FOR JACKSON/WATERLOO ROAD) 19.1 MI
- TURN LEFT TO STAY ON CA-88 E 11.7 MI
- CONTINUE ON CA-124 N TO CA-16 E 12 MIN (10.5 MI)
- TURN LEFT ONTO CA-124 N 2.3 MI
- TURN LEFT ONTO E MAIN ST 341 FT
- TURN RIGHT ONTO PRESTON AVE 0.1 MI
- TURN RIGHT ONTO CA-124 N 8.0 MI
- TURN RIGHT ONTO CA-16 E 34 S (0.3 MI)
- TAKE SHENANDOAH RD AND MT AUKUM RD TO STRAUSS DR IN EL DORADO COUNTY 34 MIN (24.1 MI)
- CONTINUE ONTO CA-49 N 2.4 MI
- TURN RIGHT ONTO SHENANDOAH RD 0.5 MI
- TURN LEFT TO STAY ON SHENANDOAH RD 8.6 MI
- CONTINUE ONTO MT AUKUM RD 12.4 MI
- TURN LEFT ONTO PLEASANT VALLEY RD 397 FT
- TURN RIGHT ONTO STRAUSS DR
- DESTINATION WILL BE ON THE RIGHT 0.1 MI
- 4559 STRAUSS DR
 PLACERVILLE, CA 95667

APPROVALS

APPROVED BY:	INITIALS:	DATE:
AT&T:		
VENDOR:		
R.F.:		
LEASING / LANDLORD:		
ZONING:		
CONSTRUCTION:		
POWER / TELCO:		
PG&E:		

GENERAL CONTRACTOR NOTES

DO NOT SCALE DRAWINGS

THESE DRAWINGS ARE FORMATTED TO BE FULL SIZE AT 24" x 36". CONTRACTOR SHALL VERIFY ALL PLANS AND EXISTING DIMENSIONS AND CONDITIONS ON THE JOBSITE AND SHALL IMMEDIATELY NOTIFY THE ARCHITECT/ENGINEER IN WRITING OF ANY DISCREPANCIES BEFORE PROCEEDING WITH THE WORK OR MATERIAL ORDERS OR BE RESPONSIBLE FOR THE SAME.

Exhibit F
Site 3 Pleasant Valley



800-227-2600
 Call 2 Full Working Days In Advance

GENERAL CONSTRUCTION NOTES:

1. PLANS ARE INTENDED TO BE DIAGRAMMATIC OUTLINE ONLY, UNLESS NOTED OTHERWISE. THE WORK SHALL INCLUDE FURNISHING MATERIALS, EQUIPMENT, APPURTENANCES AND LABOR NECESSARY TO COMPLETE ALL INSTALLATIONS AS INDICATED ON THE DRAWINGS.
2. THE CONTRACTOR SHALL OBTAIN, IN WRITING, AUTHORIZATION TO PROCEED BEFORE STARTING WORK ON ANY ITEM NOT CLEARLY DEFINED OR IDENTIFIED BY THE CONTRACT DOCUMENTS.
3. CONTRACTOR SHALL CONTACT USA (UNDERGROUND SERVICE ALERT) AT (800) 227-2600, FOR UTILITY LOCATIONS, 48 HOURS BEFORE PROCEEDING WITH ANY EXCAVATION, SITE WORK OR CONSTRUCTION.
4. THE CONTRACTOR SHALL INSTALL ALL EQUIPMENT AND MATERIALS IN ACCORDANCE WITH MANUFACTURER'S RECOMMENDATIONS UNLESS SPECIFICALLY INDICATED OTHERWISE, OR WHERE LOCAL CODES OR REGULATIONS TAKE PRECEDENCE.
5. ALL CONSTRUCTION SHALL BE IN ACCORDANCE WITH THE CBC/UBC'S REQUIREMENTS REGARDING EARTHQUAKE RESISTANCE, FOR, BUT NOT LIMITED TO, PIPING, LIGHT FIXTURES, CEILING GRID, INTERIOR PARTITIONS, AND MECHANICAL EQUIPMENT. ALL WORK MUST COMPLY WITH LOCAL EARTHQUAKE CODES AND REGULATIONS.
6. REPRESENTATIONS OF TRUE NORTH, OTHER THAN THOSE FOUND ON THE PLOT OF SURVEY DRAWINGS, SHALL NOT BE USED TO IDENTIFY OR ESTABLISH BEARING OF TRUE NORTH AT THE SITE. THE CONTRACTOR SHALL RELY SOLELY ON THE PLOT OF SURVEY DRAWING AND ANY SURVEYOR'S MARKINGS AT THE SITE FOR THE ESTABLISHMENT OF TRUE NORTH, AND SHALL NOTIFY THE ARCHITECT / ENGINEER PRIOR TO PROCEEDING WITH THE WORK IF ANY DISCREPANCY IS FOUND BETWEEN THE VARIOUS ELEMENTS OF THE WORKING DRAWINGS AND THE TRUE NORTH ORIENTATION AS DEPICTED ON THE CIVIL SURVEY. THE CONTRACTOR SHALL ASSUME SOLE LIABILITY FOR ANY FAILURE TO NOTIFY THE ARCHITECT / ENGINEER.
7. THE BUILDING DEPARTMENT ISSUING THE PERMITS SHALL BE NOTIFIED AT LEAST TWO WORKING DAYS PRIOR TO THE COMMENCEMENT OF WORK, OR AS OTHERWISE STIPULATED BY THE CODE ENFORCEMENT OFFICIAL HAVING JURISDICTION.
8. DO NOT EXCAVATE OR DISTURB BEYOND THE PROPERTY LINES OR LEASE LINES, UNLESS OTHERWISE NOTED.
9. ALL EXISTING UTILITIES, FACILITIES, CONDITIONS, AND THEIR DIMENSIONS SHOWN ON THE PLAN HAVE BEEN PLOTTED FROM AVAILABLE RECORDS. THE ARCHITECT / ENGINEER AND THE OWNER ASSUME NO RESPONSIBILITY WHATSOEVER AS TO THE SUFFICIENCY OR THE ACCURACY OF THE INFORMATION SHOWN ON THE PLANS, OR THE MANNER OF THEIR REMOVAL OR ADJUSTMENT. CONTRACTORS SHALL BE RESPONSIBLE FOR DETERMINING EXACT LOCATION OF ALL EXISTING UTILITIES AND FACILITIES PRIOR TO START OF CONSTRUCTION. CONTRACTORS SHALL ALSO OBTAIN FROM EACH UTILITY COMPANY DETAILED INFORMATION RELATIVE TO WORKING SCHEDULES AND METHODS OF REMOVING OR ADJUSTING EXISTING UTILITIES.
10. CONTRACTOR SHALL VERIFY ALL EXISTING UTILITIES, BOTH HORIZONTAL AND VERTICALLY, PRIOR TO THE START OF CONSTRUCTION. ANY DISCREPANCIES OR DOUBTS AS TO THE INTERPRETATION OF PLANS SHOULD BE IMMEDIATELY REPORTED TO THE ARCHITECT / ENGINEER FOR RESOLUTION AND INSTRUCTION, AND NO FURTHER WORK SHALL BE PERFORMED UNTIL THE DISCREPANCY IS CHECKED AND CORRECTED BY THE ARCHITECT / ENGINEER. FAILURE TO SECURE SUCH INSTRUCTION MEANS CONTRACTOR WILL HAVE WORKED AT HIS/HER OWN RISK AND EXPENSE.
11. ALL NEW AND EXISTING UTILITY STRUCTURES ON SITE AND IN AREAS TO BE DISTURBED BY CONSTRUCTION SHALL BE ADJUSTED TO FINISH ELEVATIONS PRIOR TO FINAL INSPECTION OF WORK.
12. ANY DRAIN AND/OR FIELD TILE ENCOUNTERED / DISTURBED DURING CONSTRUCTION SHALL BE RETURNED TO IT'S ORIGINAL CONDITION PRIOR TO COMPLETION OF WORK. SIZE, LOCATION AND TYPE OF ANY UNDERGROUND UTILITIES OR IMPROVEMENTS SHALL BE ACCURATELY NOTED AND PLACED ON "AS-BUILT" DRAWINGS BY GENERAL CONTRACTOR, AND ISSUED TO THE ARCHITECT / ENGINEER AT COMPLETION OF PROJECT.
13. ALL TEMPORARY EXCAVATIONS FOR THE INSTALLATION OF FOUNDATIONS, UTILITIES, ETC., SHALL BE PROPERLY LAID BACK OR BRACED IN ACCORDANCE WITH CORRECT OCCUPATIONAL SAFETY AND HEALTH ADMINISTRATION (OSHA) REQUIREMENTS.
14. INCLUDE MISC. ITEMS PER AT&T SPECIFICATIONS

APPLICABLE CODES, REGULATIONS AND STANDARDS:

SUBCONTRACTOR'S WORK SHALL COMPLY WITH ALL APPLICABLE NATIONAL, STATE, AND LOCAL CODES AS ADOPTED BY THE LOCAL AUTHORITY HAVING JURISDICTION (AHJ) FOR THE LOCATION.

THE EDITION OF THE AHJ ADOPTED CODES AND STANDARDS IN EFFECT ON THE DATE OF CONTRACT AWARD SHALL GOVERN THE DESIGN.

SUBCONTRACTOR'S WORK SHALL COMPLY WITH THE LATEST EDITION OF THE FOLLOWING STANDARDS:

- AMERICAN CONCRETE INSTITUTE (ACI) 318, BUILDING CODE REQUIREMENTS FOR STRUCTURAL CONCRETE
- AMERICAN INSTITUTE OF STEEL CONSTRUCTION (AISC), MANUAL OF STEEL CONSTRUCTION, ASD, NINTH EDITION
- TELECOMMUNICATIONS INDUSTRY ASSOCIATION (TIA) 222-G, STRUCTURAL STANDARD FOR STRUCTURAL ANTENNA TOWER AND ANTENNA SUPPORTING STRUCTURES
- INSTITUTE FOR ELECTRICAL AND ELECTRONICS ENGINEERS (IEEE) 81, GUIDE FOR MEASURING EARTH RESISTIVITY, GROUND IMPEDANCE, AND EARTH SURFACE POTENTIALS OF A GROUND SYSTEM IEEE 1100 (1999) RECOMMENDED PRACTICE FOR POWERING AND GROUNDING OF ELECTRICAL EQUIPMENT.
- IEEE C62.41, RECOMMENDED PRACTICES ON SURGE VOLTAGES IN LOW VOLTAGE AC POWER CIRCUITS (FOR LOCATION CATEGORY "C3" AND "HIGH SYSTEM EXPOSURE")

TIA 607 COMMERCIAL BUILDING GROUNDING AND BONDING REQUIREMENTS FOR TELECOMMUNICATIONS TELCORDIA GR-63 NETWORK EQUIPMENT-BUILDING SYSTEM (NEBS): PHYSICAL PROTECTION
 TELCORDIA GR-347 CENTRAL OFFICE POWER WIRING
 TELCORDIA GR-1275 GENERAL INSTALLATION REQUIREMENTS
 TELCORDIA GR-1503 COAXIAL CABLE CONNECTIONS

ANY AND ALL OTHER LOCAL & STATE LAWS AND REGULATIONS

FOR ANY CONFLICTS BETWEEN SECTIONS OF LISTED CODES AND STANDARDS REGARDING MATERIAL, METHODS OF CONSTRUCTION, OR OTHER REQUIREMENTS, THE MOST RESTRICTIVE SHALL GOVERN. WHERE THERE IS CONFLICT BETWEEN A GENERAL REQUIREMENT AND A SPECIFIC REQUIREMENT, THE SPECIFIC REQUIREMENT SHALL GOVERN.

ABBREVIATIONS

A.B.	ANCHOR BOLT	HT.	HEIGHT
ABV.	ABOVE	IGGB.	ISOLATED COPPER GROUND BUS
ACCA	ANTENNA CABLE COVER ASSEMBLY	IN.	INCH(ES)
ADD'L	ADDITIONAL	INT.	INTERIOR
A.F.F.	ABOVE FINISHED FLOOR	LB.(#)	POUND(S)
A.F.G.	ABOVE FINISHED GRADE	L.B.	LAG BOLTS
ALUM.	ALUMINUM	L.F.	LINEAR FEET (FOOT)
ALT.	ALTERNATE	L.	LONG(TUDINAL)
ANT.	ANTENNA	L.M.S.	MASONRY
APPRX.	APPROXIMATE(LY)	MAX.	MAXIMUM
ARCH.	ARCHITECT(URAL)	M.B.	MACHINE BOLT
AWG.	AMERICAN WIRE GAUGE	MECH.	MECHANICAL
BLDG.	BUILDING	MFR.	MANUFACTURER
BLK.	BLOCK	MIN.	MINIMUM
BLKG.	BLOCKING	MISC.	MISCELLANEOUS
BM.	BEAM	MTL.	METAL
B.N.	BOUNDARY NAILING	(N)	NEW
BTCW.	BARE TINNED COPPER WIRE	NO.(#)	NUMBER
B.O.F.	BOTTOM OF FOOTING	N.T.S.	NOT TO SCALE
B/U	BACK-UP CABINET	O.C.	ON CENTER
CAB.	CABINET	OPNG.	OPENING
CANT.	CANTILEVER(ED)	(P)	PROPOSED
C.I.P.	CAST IN PLACE	P/C	PRECAST CONCRETE
CLG.	CEILING	PCS	PERSONAL COMMUNICATION SERVICES
CLR.	CLEAR	PLY.	PLYWOOD
COL.	COLUMN	PPC	POWER PROTECTION CABINET
CONC.	CONCRETE	PRC	PRIMARY RADIO CABINET
CONN.	CONNECTION(OR)	P.S.F.	POUNDS PER SQUARE FOOT
CONST.	CONSTRUCTION	P.S.I.	POUNDS PER SQUARE INCH
CONT.	CONTINUOUS	P.T.	PRESSURE TREATED
D	DIMENSION	PWR.	POWER (CABINET)
DBL	DOUBLE	QTY.	QUANTITY
DEPT.	DEPARTMENT	RAD.(R)	RADIUS
D.F.	DOUGLAS FIR	REF.	REFERENCE
DIA.	DIAMETER	REINF.	REINFORCEMENT(ING)
DIAG.	DIAGONAL	REQ'D/	REQUIRED
DM	DEPTH	RGS.	RIGID GALVANIZED STEEL
DWG.	DRAWING(S)	SCH.	SCHEDULE
DWL	DOWEL(S)	SHT.	SHEET
EA.	EACH	SM.	SIMILAR
EL.	ELEVATION	SPEC.	SPECIFICATIONS
ELEC.	ELECTRICAL	SQ.	SQUARE
ELEV.	ELEVATOR	S.S.	STAINLESS STEEL
EMT.	ELECTRICAL METALLIC TUBING	STD.	STANDARD
E.N.	EDGE NAIL	STL.	STEEL
ENG.	ENGINEER	STRUC.	STRUCTURAL
EQ.	EQUAL	TEMP.	TEMPORARY
EXP.	EXPANSION	THK.	THICK(NESS)
EXST.(E)	EXISTING	T.N.	TOE NAIL
EXT.	EXTERIOR	T.O.A.	TOP OF ANTENNA
(F)	FUTURE	T.O.C.	TOP OF CURB
FAB.	FABRICATION(OR)	T.O.F.	TOP OF FOUNDATION
F.F.	FINISH FLOOR	T.O.P.	TOP OF PLATE (PARAPET)
F.G.	FINISH GRADE	T.O.S.	TOP OF STEEL
FIN.	FINISH(ED)	T.O.W.	TOP OF WALL
FLR.	FLOOR	TYP.	TYPICAL
FDN.	FOUNDATION	U.G.	UNDER GROUND
F.O.C.	FACE OF CONCRETE	U.L.	UNDERWRITERS LABORATORY
F.O.M.	FACE OF MASONRY	U.N.O.	UNLESS NOTED OTHERWISE
F.O.S.	FACE OF STUD	V.I.F.	VERIFY IN FIELD
F.O.W.	FACE OF WALL	W	WIDE (WIDTH)
F.S.	FINISH SURFACE	W/	WITH
FT.(')	FOOT (FEET)	WD.	WOOD
FTG.	FOOTING	WP.	WEATHERPROOF
G.	GROWTH (CABINET)	WT.	WEIGHT
GA.	GAUGE	C	CENTERLINE
GI.	GALVANIZE(D)	P	PLATE, PROPERTY LINE
G.F.I.	GROUND FAULT CIRCUIT INTERRUPTER		
GLB. (GLU-LAM)	GLUE LAMINATED BEAM		
GPS	GLOBAL POSITIONING SYSTEM		
GRND.	GROUND		
HDR.	HEADER		
HGR.	HANGER		

SYMBOLS LEGEND

	BLDG. SECTION		GROUT OR PLASTER		(P) ANTENNA
	ROAD SECTION		(E) BRICK		(P) RRU
	WALL SECTION		(E) MASONRY		(F) ANTENNA
	DETAIL		CONCRETE		(F) RRU
	ELEVATION		EARTH		(E) EQUIPMENT
	DOOR SYMBOL		GRAVEL		
	WINDOW SYMBOL		PLYWOOD		
	TILT-UP PANEL MARK		SAND		
	PROPERTY LINE		PLYWOOD		
	CENTERLINE		SAND		
	ELEVATION DATUM		(E) STEEL		
	GRID/COLUMN LINE		MATCH LINE		
	KEYNOTE, DIMENSION ITEM		GROUND CONDUCTOR		
	KEYNOTE, CONSTRUCTION ITEM		OVERHEAD SERVICE CONDUCTORS		
	WALL TYPE MARK		TELEPHONE CONDUIT		
	ROOM NAME		POWER CONDUIT		
	ROOM NUMBER		POWER/TELCO CONDUIT		

Issued For:

PLEASANT VALLEY
 4559 STRAUSS DRIVE
 PLACERVILLE, CA 95667

PREPARED FOR



2600 Camino Ramon, 4W850 N
 San Ramon, California 94583



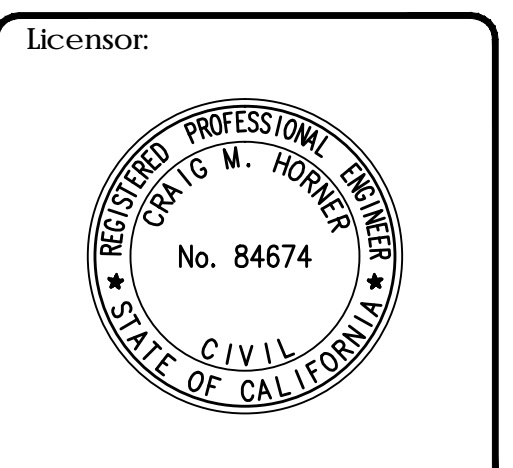
AT&T SITE NO: CVL03180

PROJECT NO: 13787610

DRAWN BY: CES

CHECKED BY: CES

REV	DATE	DESCRIPTION
0	07/05/17	ZD 90%
1	08/03/17	ZD 100% SHELTER CHANGE



IT IS A VIOLATION OF LAW FOR ANY PERSON, UNLESS THEY ARE ACTING UNDER THE DIRECTION OF A LICENSED PROFESSIONAL ENGINEER, TO ALTER THIS DOCUMENT.

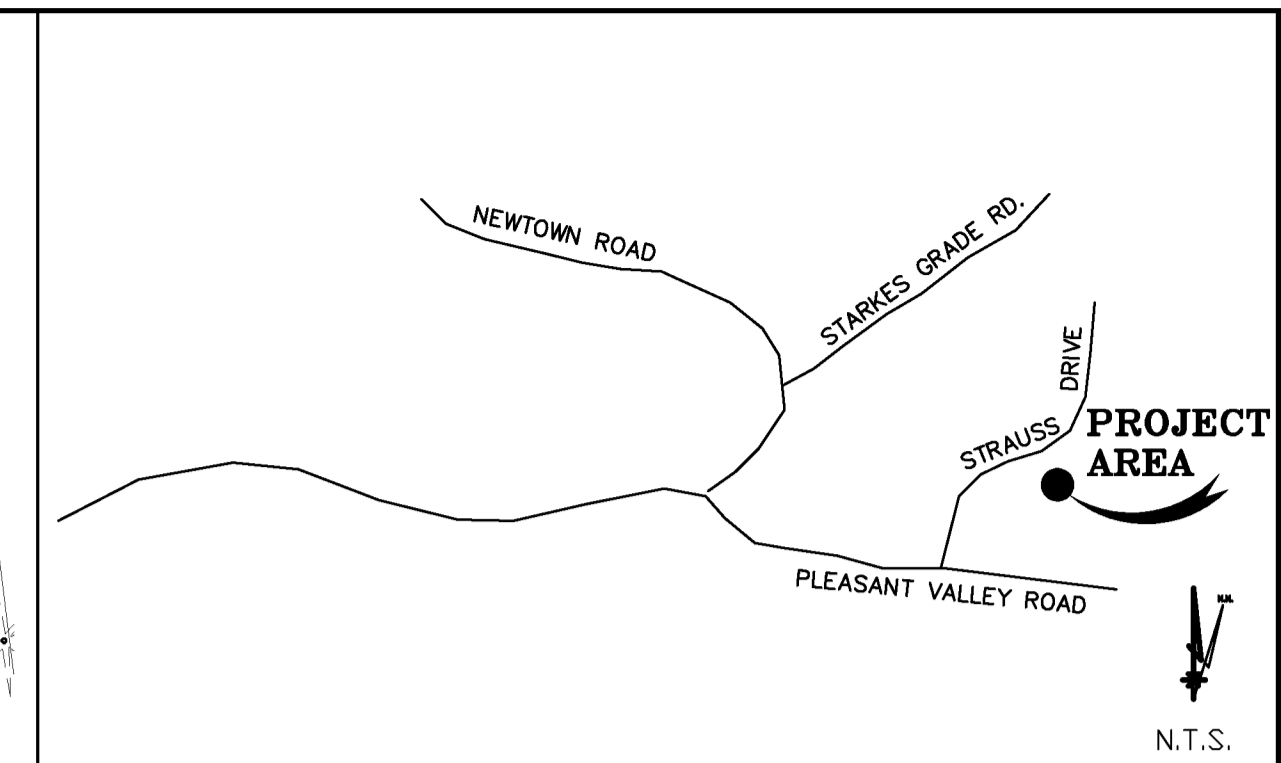
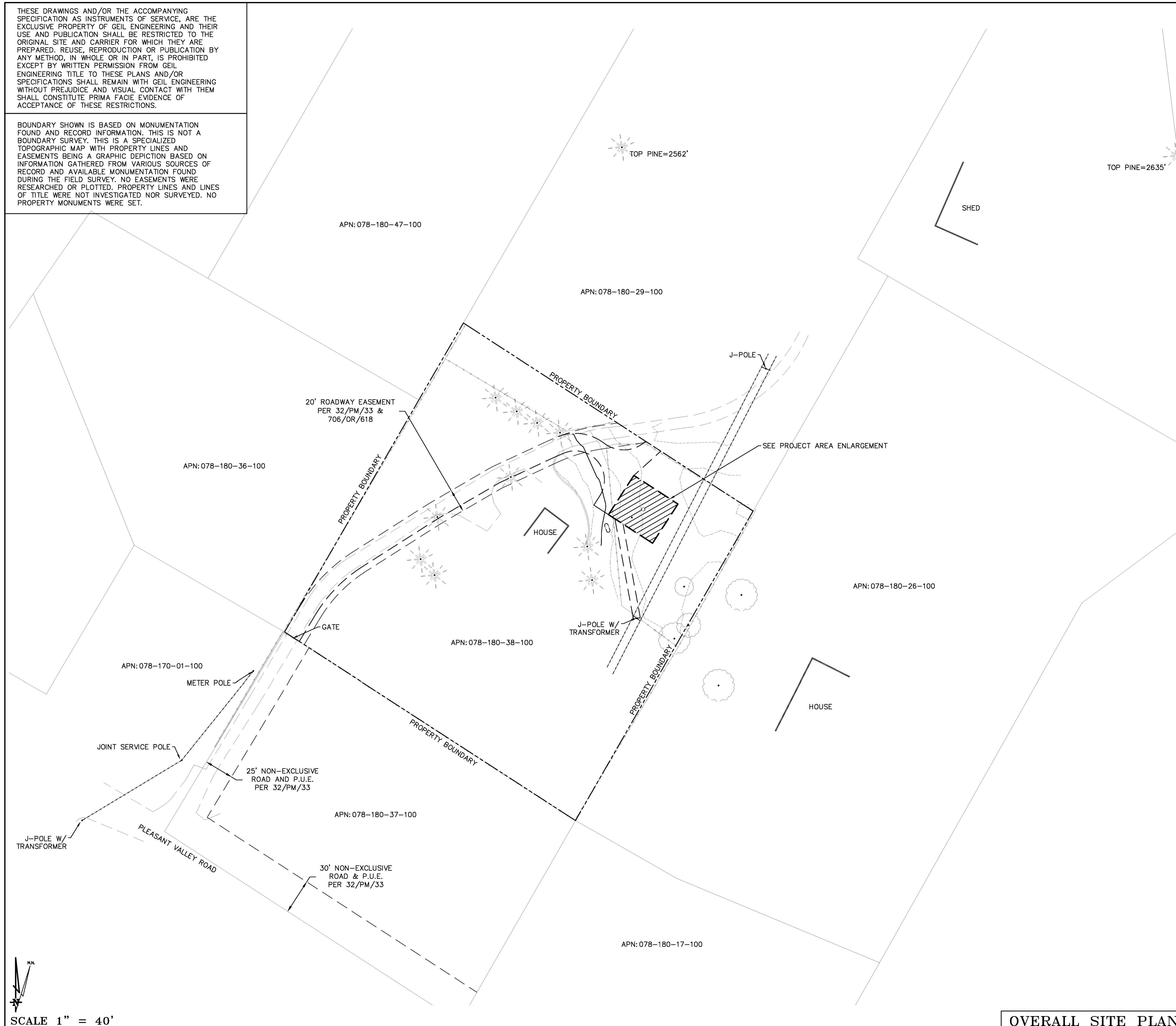
Engineer:
ADAPTIVE RE-USE ENGINEERING
 Craig Horner, PE 84674
 214-407-3184
 3112 LEATHA WAY
 SACRAMENTO, CA 95821
 craighorner@yahoo.com

SHEET TITLE:
GENERAL NOTES

SHEET NUMBER:
GN-1

THESE DRAWINGS AND/OR THE ACCOMPANYING SPECIFICATION AS INSTRUMENTS OF SERVICE, ARE THE EXCLUSIVE PROPERTY OF GEIL ENGINEERING AND THEIR USE AND PUBLICATION SHALL BE RESTRICTED TO THE ORIGINAL SITE AND CARRIER FOR WHICH THEY ARE PREPARED. REUSE, REPRODUCTION OR PUBLICATION BY ANY METHOD, IN WHOLE OR IN PART, IS PROHIBITED EXCEPT BY WRITTEN PERMISSION FROM GEIL ENGINEERING TITLE TO THESE PLANS AND/OR SPECIFICATIONS SHALL REMAIN WITH GEIL ENGINEERING WITHOUT PREJUDICE AND VISUAL CONTACT WITH THEM SHALL CONSTITUTE PRIMA FACIE EVIDENCE OF ACCEPTANCE OF THESE RESTRICTIONS.

BOUNDARY SHOWN IS BASED ON MONUMENTATION FOUND AND RECORD INFORMATION. THIS IS NOT A BOUNDARY SURVEY. THIS IS A SPECIALIZED TOPOGRAPHIC MAP WITH PROPERTY LINES AND EASEMENTS BEING A GRAPHIC DEPICTION BASED ON INFORMATION GATHERED FROM VARIOUS SOURCES OF RECORD AND AVAILABLE MONUMENTATION FOUND DURING THE FIELD SURVEY. NO EASEMENTS WERE RESEARCHED OR PLOTTED. PROPERTY LINES AND LINES OF TITLE WERE NOT INVESTIGATED NOR SURVEYED. NO PROPERTY MONUMENTS WERE SET.



PLACERVILLE, CA VICINITY MAP

Geil Engineering
Engineering * Surveying * Planning
1226 High Street
Auburn, California 95603-5015
Phone: (530) 885-0426 * Fax: (530) 823-1309

A.T.& T. Mobility
Project No./Name: CVL03180 / PLEASANT VALLEY
Project Site Location: 4559 Strauss Drive
Placerville, CA 95667
El Dorado County
Date of Observation: 05-15-17

Equipment/Procedure Used to Obtain Coordinates: Trimble Pathfinder Pro XL post processed with Pathfinder Office software.
Type of Antenna Mount: Proposed Monopine Tower

Coordinates (Tower)
Latitude: N 38° 41' 02.92" (NAD83) N 38° 41' 03.26" (NAD27)
Longitude: W 120° 39' 43.12" (NAD83) W 120° 39' 39.37" (NAD27)
ELEVATION of Ground at Structure (NAVD88) 2497' AMSL

CERTIFICATION: I, the undersigned, do hereby certify elevation listed above is based on a field survey done under my supervision and that the accuracy of those elevations meet or exceed 1-A Standards as defined in the FAA ASAC Information Sheet 91:003, and that they are true and accurate to the best of my knowledge and belief.

Kenneth D. Geil California RCE 14803

Lease Area Description

All that certain lease area being a portion of the Parcel 2 as is shown on that certain Parcel Map filed for record at Book 32 of Parcel Maps, Page 33, El Dorado County Records, located in the County of El Dorado, State of California, and being a portion of Section 28, Township 10 N., Range 12 E., M.D.B.& M, and being more particularly described as follows:

Beginning at a point from which a 3/4" Capped Iron Pipe set at the Southwest corner of the above referenced parcel bears South 70°06'34" West 295.18 feet; thence from said True Point of Beginning North 32°58'23" East 40.00 feet; thence South 57°01'37" East 45.00 feet; thence South 32°58'23" West 40.00 feet; thence North 57°01'37" West 45.00 feet to the point of beginning.

Together with a non-exclusive easement for access and utility purposes fifteen feet in width from the above described lease area and running thence Northwesterly as is shown hereon to the existing access road and easements; thence over, and across said access road and easements as are shown hereon to the public right of way more commonly known as Pleasant Valley Road.

Also together with a non-exclusive easement for utility purposes six feet in width the centerline of which is described as follows: beginning at a point which bears North 57°01'37" West 34.30 feet from most Southerly corner of the above described lease area and running thence South 10°27'46" East 84.4 feet more or less to the existing utility pole.

DATE OF SURVEY: 05-15-17
SURVEYED BY OR UNDER DIRECTION OF: KENNETH D. GEIL, R.C.E. 14803

LOCATED IN THE COUNTY OF EL DORADO, STATE OF CALIFORNIA
BEARINGS SHOWN ARE BASED UPON MONUMENTS FOUND AND RECORD INFORMATION. THIS IS NOT A BOUNDARY SURVEY.

ELEVATIONS SHOWN ON THIS PLAN ARE BASED UPON U.S.G.S. N.A.V.D. 88 DATUM. ABOVE MEAN SEA LEVEL.

N.G.V.D. 1929 CORRECTION: SUBTRACT 2.79' FROM ELEVATIONS SHOWN.

CONTOUR INTERVAL: 1'

CONTRACTOR IS RESPONSIBLE TO VERIFY LEASE AREA PRIOR TO CONSTRUCTION.

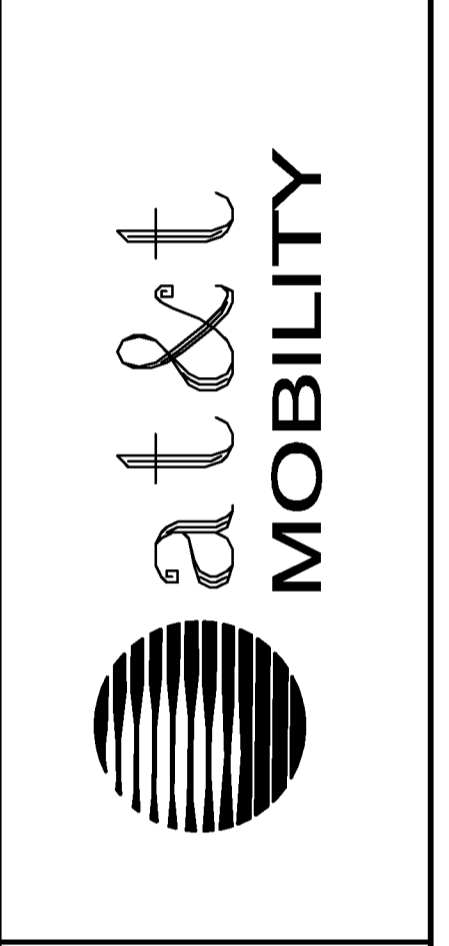
ASSESSOR'S PARCEL NUMBER: 078-180-38-100

OWNER(S): VINCENT & JO ANNE GLOWCZWSKIE
4559 STRAUSS DRIVE
PLACERVILLE, CA 95667

DEPT	APPROVED	DATE
A&C		
RE		
RF		
INT		
EE\IN		
OPS		
EE\OUT		

Surveyor
GEIL ENGINEERING
ENGINEERING * SURVEYING * PLANNING
1226 HIGH STREET
AUBURN, CALIFORNIA 95603
Phone: (530) 885-0426
Fax: (530) 823-1309

Architect
A.T.& T. MOBILITY



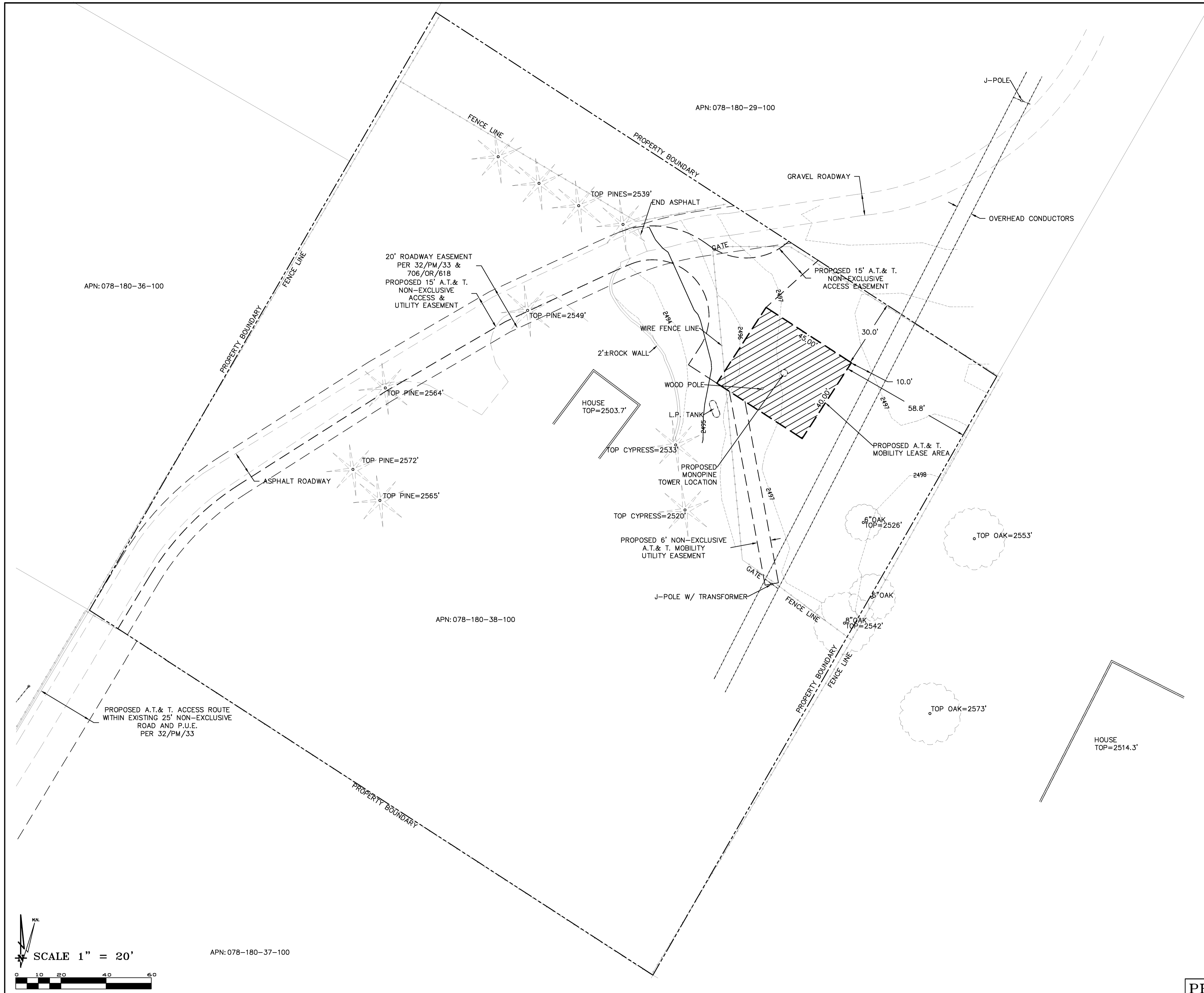
CVL03180
PLEASANT VALLEY
4559 STRAUSS DRIVE
PLACERVILLE, CA 95667
PLOT PLAN AND
SITE TOPOGRAPHY

REV	DATE	DESCRIPTION
05-16-17	N. RONDE	PRELIMINARY DRAWING
06-29-17	N. RONDE	EASEMENT MOD.
07-13-17	N. RONDE	REDLINES

Sheet
C-1

SCALE 1" = 40'

OVERALL SITE PLAN



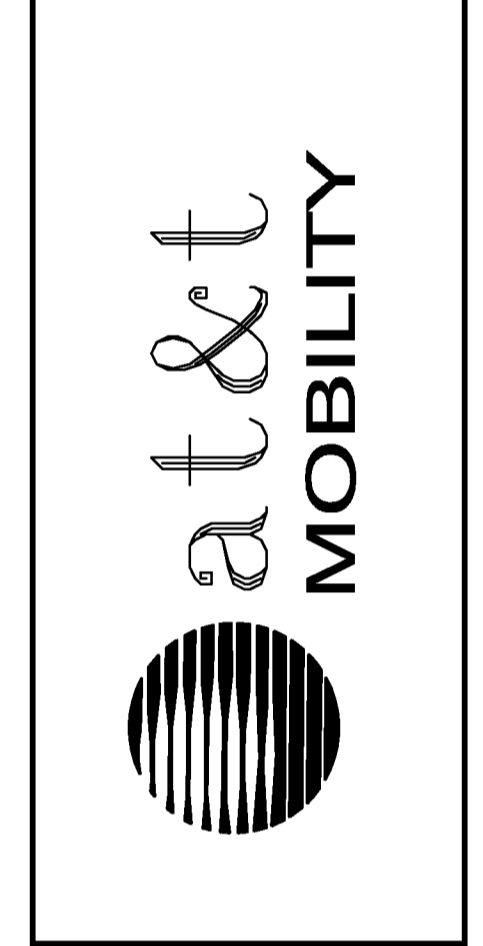
BOUNDARY SHOWN IS BASED ON MONUMENTATION FOUND AND RECORD INFORMATION. THIS IS NOT A BOUNDARY SURVEY. THIS IS A SPECIALIZED TOPOGRAPHIC MAP WITH PROPERTY LINES AND EASEMENTS BEING A GRAPHIC DEPICTION BASED ON INFORMATION GATHERED FROM VARIOUS SOURCES OF RECORD AND AVAILABLE MONUMENTATION FOUND DURING THE FIELD SURVEY. NO EASEMENTS WERE RESEARCHED OR PLOTTED. PROPERTY LINES AND LINES OF TITLE WERE NOT INVESTIGATED NOR SURVEYED. NO PROPERTY MONUMENTS WERE SET.

THESE DRAWINGS AND/OR THE ACCOMPANYING SPECIFICATION AS INSTRUMENTS OF SERVICE, ARE THE EXCLUSIVE PROPERTY OF GEIL ENGINEERING AND THEIR USE AND PUBLICATION SHALL BE RESTRICTED TO THE ORIGINAL SITE AND CARRIER FOR WHICH THEY ARE PREPARED. REUSE, REPRODUCTION OR PUBLICATION BY ANY METHOD, IN WHOLE OR IN PART, IS PROHIBITED EXCEPT BY WRITTEN PERMISSION FROM GEIL ENGINEERING TITLE TO THESE PLANS AND/OR SPECIFICATIONS SHALL REMAIN WITH GEIL ENGINEERING WITHOUT PREJUDICE AND VISUAL CONTACT WITH THEM SHALL CONSTITUTE PRIMA FACIE EVIDENCE OF ACCEPTANCE OF THESE RESTRICTIONS.

DEPT	APPROVED	DATE
A&C		
RE		
RF		
INT		
EE\IN		
OPS		
EE\OUT		

Surveyor
GEIL ENGINEERING
 ENGINEERING • SURVEYING • PLANNING
 1222 HIGH STREET
 AUBURN, CALIFORNIA 95603
 Phone: (530) 838-1800
 Fax: (530) 838-1800

Architect

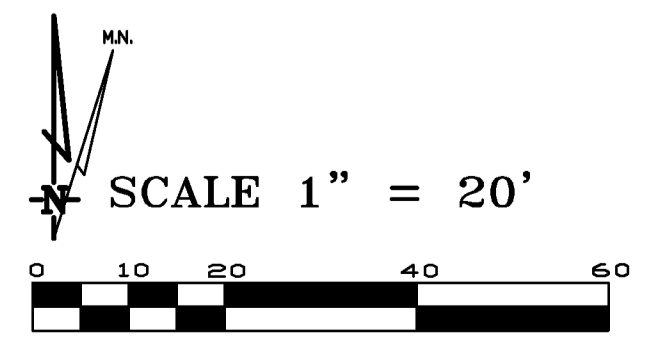


APN: 078-180-26-100

CVL03180
PLEASANT VALLEY
 4559 STRAUSS DRIVE
 PLACERVILLE, CA 95667
 PLOT PLAN AND
 SITE TOPOGRAPHY

Sheet

C-2



APN: 078-180-37-100

PROJECT AREA ENLARGEMENT

BEST MANAGEMENT PRACTICES "BMP" TABLE			
BEST MANAGEMENT PRACTICES	LOCATION	SCHEDULE IMPLEMENTATION	MAINTENANCE SCHEDULE
PRESERVING EXISTING VEGETATION	AROUND PERIMETER OF PROJECT SITE	CONTINUOUS UNTIL CONSTRUCTION IS COMPLETED	EDUCATE EMPLOYEES AND SUBCONTRACTORS REGARDING IMPORTANCE OF MAINTAINING EXISTING VEGETATION TO PREVENT EROSION AND FILTER OUT SEDIMENT IN RUNOFF FROM DISTURBED AREAS ON THE CONSTRUCTION SITE. INSPECT SITE PERIMETER MONTHLY TO VERIFY THE OUTSIDE VEGETATION IS NOT DISTURBED.
PROTECT GRADED AREAS AND SLOPES FROM WASHOUT AND EROSION	THROUGHOUT PROJECT SITE	CONTINUOUS	INSPECT GRADED AREAS AND SLOPES ON AT LEAST A MONTHLY BASIS TO CHECK FOR EROSION. THE GRADE TRIBUTARY AREAS OR INSTALL SAND DIKES AS NECESSARY TO PREVENT EROSION.
GRAVEL FILTER	ALONG FLOW LINES OF UNPAVED ROADWAYS WITHIN SITE	IN PLACE CONTINUOUSLY UNTIL ROADWAYS ARE PAVED	INSPECT AFTER EACH STORM. REMOVE ONSITE SEDIMENT DEPOSITED BEHIND BERM OR BARRIER TO MAINTAIN EFFECTIVENESS.
BAG INLET FILTER	INLETS TO THE STORM DRAINAGE SYSTEM	CONTINUOUS UNTIL LANDSCAPING IS IN PLACE	INSPECT WEEKLY AND AFTER EACH STORM. REMOVE SEDIMENT AND DEBRIS BEFORE ACCUMULATION HAVE REACHED ONE THIRD THE DEPTH OF THE BAG. REPAIR OR REPLACE INLET FILTER BAG AS SOON AS DAMAGE OCCURS.
FIBER ROLLS	SEE NOTE 3 OF EROSION & CONTROL NOTES	CONTINUOUS	INSPECT AFTER EACH STORM. REMOVE SEDIMENT DEPOSITED BEHIND FIBER ROLLS WHENEVER NECESSARY TO MAINTAIN EFFECTIVENESS.
HYDROSEEDING	3:1 SLOPES	IN PLACE DURING BY SEPT. 15	INSPECT SLOPES ON AT LEAST A MONTHLY BASIS TO CHECK FOR EROSION. IF EROSION IS NOTED, SPREAD STRAW MULCH OVER AFFECTED AREAS.
STABILIZED CONSTRUCTION ENTRANCE	ENTRANCES TO SITE FROM PUBLIC ROADWAYS	CONTINUOUS, UNTIL ENTRANCES AND ONSITE ROADWAYS ARE PAVED	INSPECT ON A MONTHLY BASIS AND AFTER EACH RAINFALL. ADD AGGREGATE BASE MATERIAL WHENEVER NECESSARY TO PREVENT SEDIMENT FROM BEING TRACKED INTO PUBLIC STREET.
WIND EROSION CONTROL PRACTICES	WHEREVER NECESSARY THROUGHOUT PROJECT SITE	CONTINUOUS UNTIL GRADING IS COMPLETED AND SOILS HAVE STABILIZED	INSPECT SITE DURING WINDY CONDITIONS TO IDENTIFY AREAS WHERE WIND AND EROSION IS OCCURRING AND ABATE EROSION AS NECESSARY.
GOOD HOUSEKEEPING MEASURES	THROUGHOUT PROJECT SITE	CONTINUOUS UNTIL CONSTRUCTION IS COMPLETED	INSPECT SITE ON AT LEAST A MONTHLY BASIS TO VERIFY GOOD HOUSEKEEPING PRACTICES ARE BEING IMPLEMENTED.
PROPER CONSTRUCTION MATERIAL STORAGE	DESIGNATED AREA	CONTINUOUS UNTIL CONSTRUCTION IS COMPLETED	INSPECT SITE ON AT LEAST A WEEKLY BASIS TO VERIFY THAT CONSTRUCTION MATERIALS ARE STORED IN A MANNER WHICH COULD NOT CAUSE STORM WATER POLLUTION.
PROPER CONSTRUCTION WASTE STORAGE AND DISPOSAL INCLUDING	DESIGNATED COLLECTION AREA AND CONTAINERS	CONTINUOUS UNTIL CONSTRUCTION IS COMPLETED	INSPECT SITE ON AT LEAST A WEEKLY BASIS TO ASSURE WASTE IS STORED PROPERLY AND DISPOSED OF AT LEGAL DISPOSAL SITE, DAILY.
CONCRETE SPILL CLEANUP PAINT & PAINTING SUPPLIES	MATERIAL HANDLING AREAS	IMMEDIATELY AT TIME OF SPILL	INSPECT MATERIAL HANDLING AREAS ON AT LEAST A MONTHLY BASIS TO VERIFY PROPER SPILL CLEANUP.
VEHICLE FUELING, MAINTENANCE & CLEANING	DESIGNATED AREA WITH SECONDARY CONTAINMENT	CONTINUOUS	KEEP AMPLE SUPPLIES OF SPILL CLEANUP MATERIALS ON SITE & INSPECT ON REGULAR SCHEDULE.
STREET AND STORM DRAINAGE FACILITY MAINTENANCE DEFINITIONS	STREETS AND STORM DRAINAGE FACILITIES	CONTINUOUS UNTIL CONSTRUCTION IS COMPLETED	MAINTAIN STORM DRAINAGE FACILITIES AND PAVED STREETS CLEAR OF SEDIMENT AND DEBRIS.

1. WET SEASON: ENTIRE PERIOD BETWEEN OCTOBER 1 THROUGH APRIL 30. CONTRACTOR SHALL ALSO IMPLEMENT WET SEASON MEASURES IF WET WEATHER IS EXPECTED DURING THE DRY SEASON
 2. PHASES OF GRADING
 INITIAL: WHEN CLEARING AND GRUBBING ACTIVITIES OCCUR.
 ROUGH: WHEN CUT AND FILL ACTIVITIES OCCUR AND THE SITE IMPROVEMENTS ARE CONSTRUCTED, INCLUDING UNDERGROUND PIPING, STREETS, SIDEWALKS, AND OTHER IMPROVEMENTS.
 WHEN FINAL ELEVATION IS SET, AND SITE IMPROVEMENTS ARE COMPLETED AND READY FOR CITY ACCEPTANCE.

FIBER ROLL NOTES:

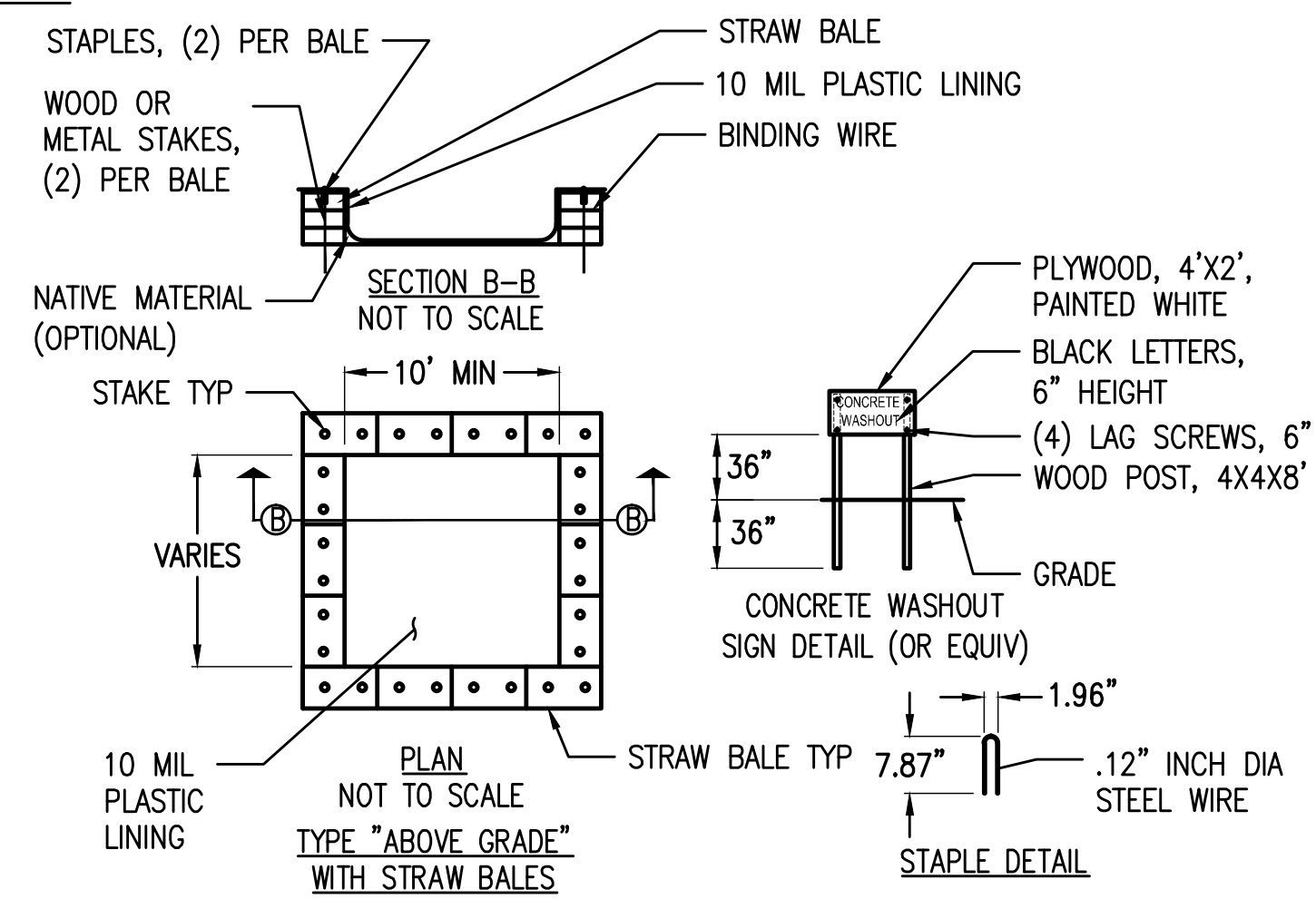
- REPAIR OR REPLACE SPLIT, TORN UNRAVELING OR SLUMPING FIBER ROLLS. FIBER ROLLS TO BE STAKED 4' O.C. PARALLEL TO (E) CONTOURS.
- INSPECT FIBER ROLLS WHEN RAIN IS FORECAST, DURING AND FOLLOWING RAIN EVENTS, AT LEAST DAILY DURING PROLONGED RAINFALL, FOR SPECIFIC MONITORING INTERVALS REFER TO THE CURRENT VERSION OF STORM WATER "BMP" MANUAL FOR DURING THE NON-RAINY SEASON.
- SEDIMENT SHOULD BE REMOVED WHEN SEDIMENT ACCUMULATION REACHES ONE-HALF THE DESIGNATED SEDIMENT STORAGE DEPTH, USUALLY ONE-HALF THE DISTANCE BETWEEN THE TOP OF THE FIBER ROLL AND THE ADJACENT GROUND SURFACE. SEDIMENT REMOVED DURING MAINTENANCE MAY BE INCORPORATED INTO THE EARTHWORK ON THE SITE OR DISPOSED AT AN APPROPRIATE LOCATION.
- FILTER BARRIER SHALL BE CONSTRUCTED LONG ENOUGH TO EXTEND ACROSS THE EXPECTED FLOW PATH AND AS APPROVED BY THE LANDSCAPE INSPECTOR.

CONSTRUCTION EROSION/SEDIMENTATION CONTROL PLAN NOTES:

- THE CONTRACTOR SHALL FOLLOW TYPICAL GUIDELINES FOR GRADING, EROSION AND SEDIMENT CONTROL FOR THE MEASURES SHOWN OR STATED ON THESE PLANS.
- CONTRACTOR MUST ENSURE THAT THE CONSTRUCTION SITE IS PREPARED PRIOR TO THE ONSET OF ANY STORM. CONTRACTOR SHALL HAVE ALL EROSION AND SEDIMENT CONTROL MEASURES IN PLACE FOR THE WINTER MONTHS PRIOR TO OCTOBER 1.
- ALL EROSION AND SEDIMENT CONTROL MEASURES SHALL BE MAINTAINED UNTIL DISTURBED AREAS ARE STABILIZED. CHANGES TO THIS EROSION AND SEDIMENT CONTROL PLAN SHALL BE MADE TO MEET FIELD CONDITIONS ONLY WITH THE APPROVAL OF OR AT THE DIRECTION OF A REPRESENTATIVE OF THE DEPARTMENT OF UTILITIES.
- THIS PLAN MAY NOT COVER ALL THE SITUATIONS THAT ARISE DURING CONSTRUCTION DUE TO UNANTICIPATED FIELD CONDITIONS. VARIATIONS MAY BE MADE TO THE PLAN IN THE FIELD SUBJECT TO THE APPROVAL OF OR AT THE DIRECTION OF A REPRESENTATIVE OF THE DEPARTMENT OF UTILITIES.
- ALL EROSION AND SEDIMENT CONTROL MEASURES SHALL BE CHECKED BEFORE DURING AND AFTER ALL STORMS TO ENSURE MEASURES ARE FUNCTIONING PROPERLY. REFER TO CURRENT VERSION OF STORMWATER "BMP" MANUAL FOR SPECIFIC SCHEDULE PER SITE CONDITIONS.
- CONTRACTOR SHALL MAINTAIN A LOG AT THE SITE OF ALL INSPECTIONS OR MAINTENANCE OF BMPs, AS WELL AS, ANY CORRECTIVE CHANGES TO THE BMPs OR EROSION AND SEDIMENT CONTROL PLAN.
- IN AREAS WHERE SOIL IS EXPOSED, PROMPT REPLANTING WITH NATIVE COMPATIBLE, DROUGHT-RESISTANT VEGETATION SHALL BE PERFORMED. NO AREAS WILL BE LEFT EXPOSED OVER THE WINTER SEASON.
- THE CONTRACTOR SHALL INSTALL A STABILIZED CONSTRUCTION ENTRANCE PRIOR TO COMMENCEMENT OF CONSTRUCTION WHEN APPLICABLE FOR SITES NOT ACCESSIBLE BY COMMERCIAL PREPARED ACCESSSES. LOCATION OF THE ENTRANCE MAY BE ADJUSTED BY THE CONTRACTOR TO FACILITATE CONSTRUCTION OPERATIONS. ALL CONSTRUCTION TRAFFIC ENTERING THE PAVED ROAD MUST CROSS THE STABILIZED CONSTRUCTION ENTRANCE. THE STABILIZED CONSTRUCTION ENTRANCE (WHEN APPLICABLE) SHALL REMAIN IN PLACE UNTIL THE CONSTRUCTION IS COMPLETE.
- ALL SEDIMENT DEPOSITED ON PAVED ROADWAYS SHALL BE SWEEPED AT THE END OF EACH WORKING DAY OR AS NECESSARY.
- CONTRACTOR SHALL PLACE GRAVEL BAGS AROUND ALL NEW DRAINAGE STRUCTURE OPENINGS IMMEDIATELY AFTER THE STRUCTURE OPENING IS CONSTRUCTED. THESE GRAVEL BAGS SHALL BE MAINTAINED AND REMAIN IN PLACE UNTIL CONSTRUCTION IS COMPLETED.
- THE ENTRANCE SHALL BE MAINTAINED IN A CONDITION THAT WILL PREVENT TRACKING OR FLOWING OF SEDIMENT ONTO PUBLIC RIGHT-OF-WAYS. THIS MAY REQUIRE TOP DRESSING, REPAIR AND/OR CLEANOUT OF ANY MEASURES USED TO TRAP SEDIMENT.
- WHEN NECESSARY, WHEELS SHALL BE CLEANED PRIOR TO ENTRANCE ONTO PUBLIC RIGHT-OF-WAY.
- WHEN WASHING IS REQUIRED, IT SHALL BE DONE ON AN AREA STABILIZED WITH CRUSHED STONE THAT DRAINS INTO AN APPROVED SEDIMENT TRAP OR SEDIMENT BASIN.
- CONTRACTOR SHALL IMPLEMENT HOUSEKEEPING PRACTICES AS FOLLOWS:
 - SOLID WASTE MANAGEMENT:** PROVIDE DESIGNATED WASTE COLLECTION AREAS AND CONTAINERS. ARRANGE FOR REGULAR REMOVAL AND DISPOSAL. CLEAR SITE OF TRASH INCLUDING ORGANIC DEBRIS, PACKAGING MATERIALS, SCRAP OR SURPLUS BUILDING MATERIALS AND DOMESTIC WASTE DAILY.
 - MATERIAL DELIVERY AND STORAGE:** PROVIDE A DESIGNATED MATERIAL STORAGE AREA WITH SECONDARY CONTAINMENT SUCH AS BERMING. STORE MATERIAL ON PALLETS AND PROVIDE COVERING FOR SOLUBLE MATERIALS. RELOCATE STORAGE AREA INTO BUILDING SHELL WHEN POSSIBLE. INSPECT AREA DAILY.
 - CONCRETE WASTE:** PROVIDE A DESIGNATED AREA FOR A TEMPORARY PIT TO BE USED FOR CONCRETE TRUCK WASH-OUT. DISPOSE OF HARDENED CONCRETE OFFSITE. AT NO TIME SHALL A CONCRETE TRUCK DUMP ITS WASTE AND CLEAN ITS TRUCK INTO THE CITY STORM DRAINS VIA CURB AND GUTTER. INSPECT DAILY TO CONTROL RUNOFF, AND WEEKLY FOR REMOVAL OF HARDENED CONCRETE.
 - PAINT AND PAINTING SUPPLIES:** PROVIDE INSTRUCTION TO EMPLOYEES AND SUBCONTRACTORS REGARDING REDUCTION OF POLLUTANTS INCLUDING MATERIAL STORAGE, USE, AND CLEAN UP. INSPECT SITE DAILY FOR EVIDENCE OF IMPROPER DISPOSAL.
 - VEHICLE FUELING, MAINTENANCE AND CLEANING:** PROVIDE A DESIGNATED FUELING AREA WITH SECONDARY CONTAINMENT SUCH AS BERMING. DO NOT ALLOW MOBILE FUELING OF EQUIPMENT. PROVIDE EQUIPMENT WITH DRIP PANS. RESTRICT ONSITE MAINTENANCE AND CLEANING OF EQUIPMENT TO A MINIMUM. INSPECT AREA DAILY.
 - HAZARDOUS WASTE MANAGEMENT:** PREVENT THE DISCHARGE OF POLLUTANTS FROM HAZARDOUS WASTES TO THE DRAINAGE SYSTEM THROUGH PROPER MATERIAL USE, WASTE DISPOSAL AND TRAINING OF EMPLOYEES. HAZARDOUS WASTE PRODUCTS COMMONLY FOUND ON-SITE INCLUDE BUT ARE NOT LIMITED TO PAINTS & SOLVENTS, PETROLEUM PRODUCTS, FERTILIZERS, HERBICIDES & PESTICIDES, SOIL STABILIZATION PRODUCTS, ASPHALT PRODUCTS AND CONCRETE CURING PRODUCTS.
- USE "BMPs" AT ALL PHASES OF CONSTRUCTION.
- GRAVEL BAGS WITH FIBER ROLLS/ SILT BARRIER AND OR BAG INLET FILTERS TO BE USED FOR INLET PROTECTION FROM CONSTRUCTION CONTAMINATES. CONTRACTOR TO FIELD IDENTIFY ALL CONDITIONS WHERE THIS MAY APPLY AND MAINTAIN DURING THE COURSE OF CONSTRUCTION. THIS SHALL APPLY TO THE LOCAL SITE ACTIVITY AS WELL AS ANY AREA TRAVELED EXTENDING TO THE POINT OF SITE ACCESS AND ONTO THE PUBLIC RIGHT OF WAYS. NO CONSTRUCTION DEBRIS MAY ENTER ANY STORM WATER DRAIN AT ANY TIME. THE CONTRACTOR SHALL IMPLEMENT MEASURES TO MONITOR THIS AT ALL TIMES DURING THE CONSTRUCTION PHASE.
- ANY AN ALL STORED MATERIALS, INCLUDING BUT NOT LIMITED TO, EXCAVATED SOIL, IMPORTED ROCK, SAND OR GRAVEL, PAINT, CONCRETE, WOOD, METAL OR CONTAMINATED WATER SHALL BE STORED PROPERLY TO INSURE NO DISCHARGE OF CONTAMINATES.
- REMOVE DIRT, DEBRIS AND WEEDS FROM PUBLIC SIDE WALK AREAS AND STORM DRAIN SYSTEMS AND ANY CONSTRUCTION MATERIALS OR DEBRIS TO AN APPROVED LOCATION AS ON A DAILY BASIS (OR AS DIRECTED BY THE CITY ENGINEER). A CONCRETE WASHOUT SHALL BE ONSITE AT ALL TIMES. CONTRACTOR TO FIELD VERIFY LOCATION, AND BEST METHOD TO PREVENT SPILLS AND DISCHARGE OF CONCRETE/ WATER CONTAMINANTS.
- CONTRACTOR TO FIELD IDENTIFY "BMP"s (BEST MANAGEMENT PRACTICES) PER SITE CONDITIONS. AND REFER TO CURRENT VERSION OF STORMWATER "BMP" MANUAL FOR SPECIFIC SCHEDULES OR DETAILS NOT SPECIFIED IN THIS PLAN.

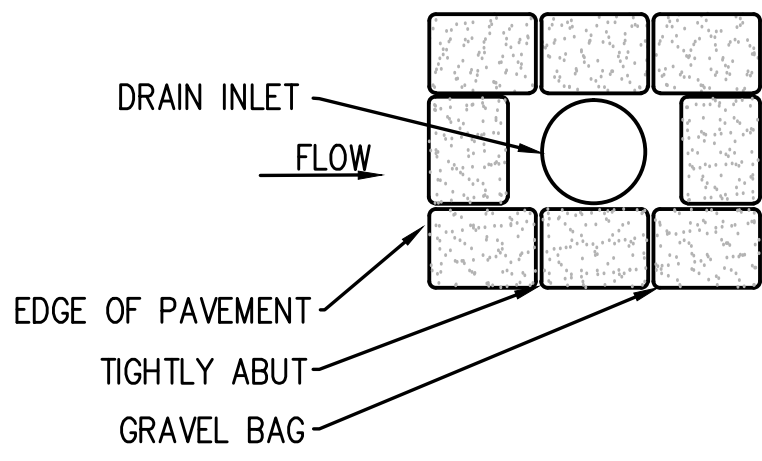
STORM WATER QUALITY NOTES:

- CONTRACTOR SHALL PROVIDE DRAIN INLET PROTECTION FOR ALL CATCH BASINS LOCATED IN THE VICINITY OF WORK. THIS INCLUDES ANY CATCH BASINS IN THE PUBLIC RIGHT-OF-WAY, AS WELL AS ANY ON-SITE CATCH BASINS ON PRIVATE PROPERTY.
- CONTRACTOR SHALL INSTALL A STABILIZED CONSTRUCTION ENTRANCE/EGRESS FROM PROJECT SITE TO PREVENT TRACK-OUT OF SEDIMENT ONTO THE PUBLIC RIGHT-OF WAY FROM CONSTRUCTION VEHICLES.
- CONTRACTOR SHALL ENSURE THAT CONSTRUCTION ACTIVITIES DO NOT DEPOSIT SEDIMENT ONTO THE PUBLIC ROADWAY, SIDEWALKS AND GUTTERS. ALL SEDIMENT AND CONSTRUCTION DEBRIS MUST BE REMOVED BY THE END OF EACH WORKING DAY. CONTRACTOR SHALL USE STREET SWEEPING OR OTHER DRY SWEEPING METHOD, AS NECESSARY, TO REMOVE CONSTRUCTION OR DEMOLITION-RELATED SEDIMENT FROM PUBLIC SIDEWALKS, GUTTERS AND ROADWAY.
- CONTRACTOR SHALL SCHEDULE WORK FOR DRY-WEATHER DAYS WHEN NO RAIN IS IN THE IMMEDIATE FORECAST.
- CONTRACTOR SHALL INSTALL AN APPROVED WASH-OUT STRUCTURE AT THE CONSTRUCTION SITE. ALL CONCRETE, PAINT, STUCCO AND OTHER LIQUIDS WILL BE WASHED OUT IN THIS AREA. CONTRACTOR SHALL PROVIDE DUST CONTROL TO PREVENT THE NUISANCE OF BLOWING DUST WITHOUT CAUSING SEDIMENT, DEBRIS, OR LITTER TO ENTER THE ANY STORM DRAIN SYSTEM.
- CONTRACTOR SHALL INSTALL ANY OTHER BMPs AS NECESSARY TO CONTROL THE DISCHARGE OF POLLUTANTS FROM THE PROJECT SITE.
- THE CONTRACTOR SHALL BE RESPONSIBLE FOR IMPLEMENTATION AND ADHERENCE TO THE LOCAL REQUIREMENTS.

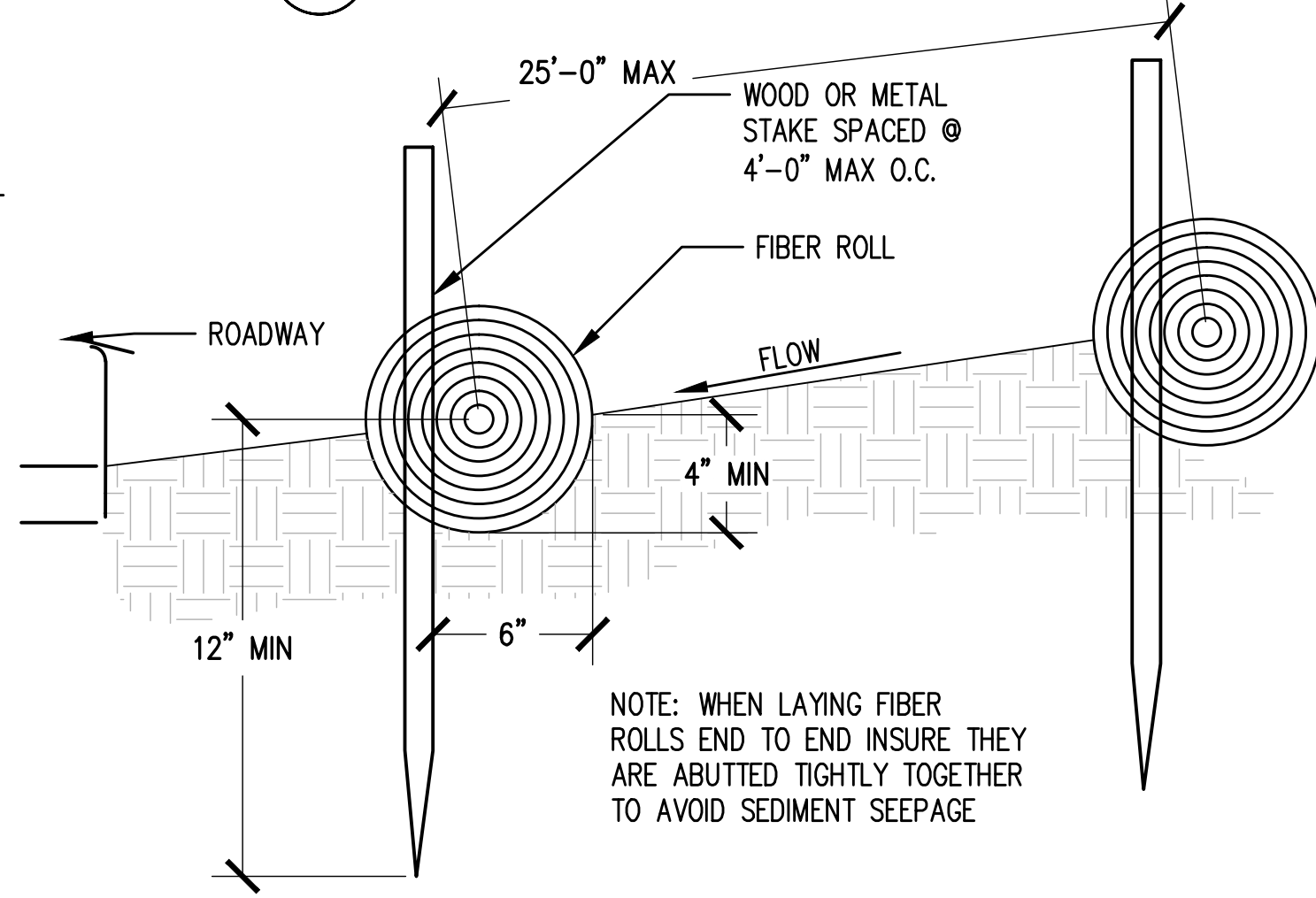


- NOTES:**
- ACTUAL LAYOUT DETERMINED IN THE FIELD.
 - THE CONCRETE WASHOUT SIGN SHALL BE INSTALLED WITHIN 32' OF THE TEMPORARY CONCRETE WASHOUT FACILITY.

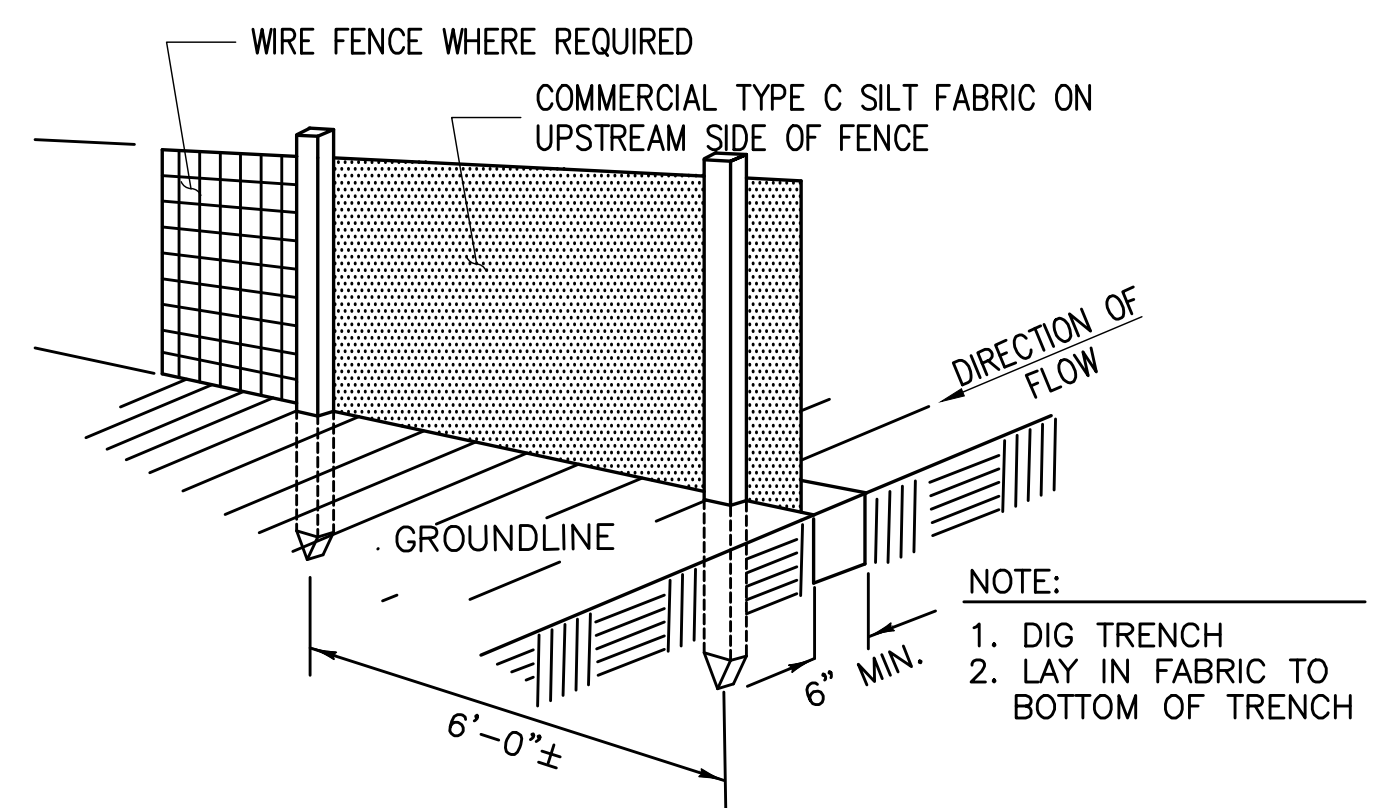
1 CONCRETE WASHOUT DETAIL NOT TO SCALE



2 DRAIN INLET DETAIL NOT TO SCALE



3 FIBER ROLL DETAIL NOT TO SCALE



CONSTRUCTION NOTES FOR FABRICATED SILT FENCE

- WOVEN WIRE FENCE TO BE FASTENED SECURELY TO FENCE POSTS WITH WIRE TIES OR STAPLES. POSTS: STEEL EITHER T OR U TYPE OR 4" HARDWOOD. MINIMUM LENGTH - 5 FEET
- FILTER CLOTH TO BE FASTENED SECURELY TO WOVEN WIRE FENCE WITH TIES SPACED EVERY 24" AT TOP AND MID SECTION. FENCE: WOVEN WIRE, 14 GA. 6" MAX. MESH OPENING. AS DIRECTED BY MARYLAND DCR
- WHEN TWO SECTIONS OF FILTER CLOTH ADJOIN EACH OTHER THEY SHALL BE OVERLAPPED BY SIX INCHES AND FOLDED. FILTER CLOTH: FILTER X, MIRAFI 100X' STABILINKA T140N OR APPROVED EQUAL.
- MAINTENANCE SHALL BE PERFORMED AS NEEDED AND MATERIAL REMOVED WHEN "BULDGES" DEVELOP IN THE SILT FENCE. PREFABRICATED UNIT: GEOFAB, ENVIROFENCE OR APPROVED EQUAL.

4 TYPE C SILT FENCE DETAIL NOT TO SCALE

Issued For:
PLEASANT VALLEY
 4559 STRAUSS DRIVE
 PLACERVILLE, CA 95667

PREPARED FOR

 2600 Camino Ramon, 4W850 N
 San Ramon, California 94583

WIRELESS GROUP

AT&T SITE NO: CVL03180
 PROJECT NO: 13787610
 DRAWN BY: CES
 CHECKED BY: CES

REV	DATE	DESCRIPTION
0	07/05/17	ZD 90%
1	08/03/17	ZD 100% SHELTER CHANGE

Licensors:

IT IS A VIOLATION OF LAW FOR ANY PERSON, UNLESS THEY ARE ACTING UNDER THE DIRECTION OF A LICENSED PROFESSIONAL ENGINEER, TO ALTER THIS DOCUMENT.

Engineer:
ADAPTIVE RE-USE ENGINEERING
 Craig Horner, PE 84674
 214-407-3184
 3112 LEATHA WAY
 SACRAMENTO, CA 95821
 craighorner@yahoo.com

SHEET TITLE:
EROSION CONTROL NOTES

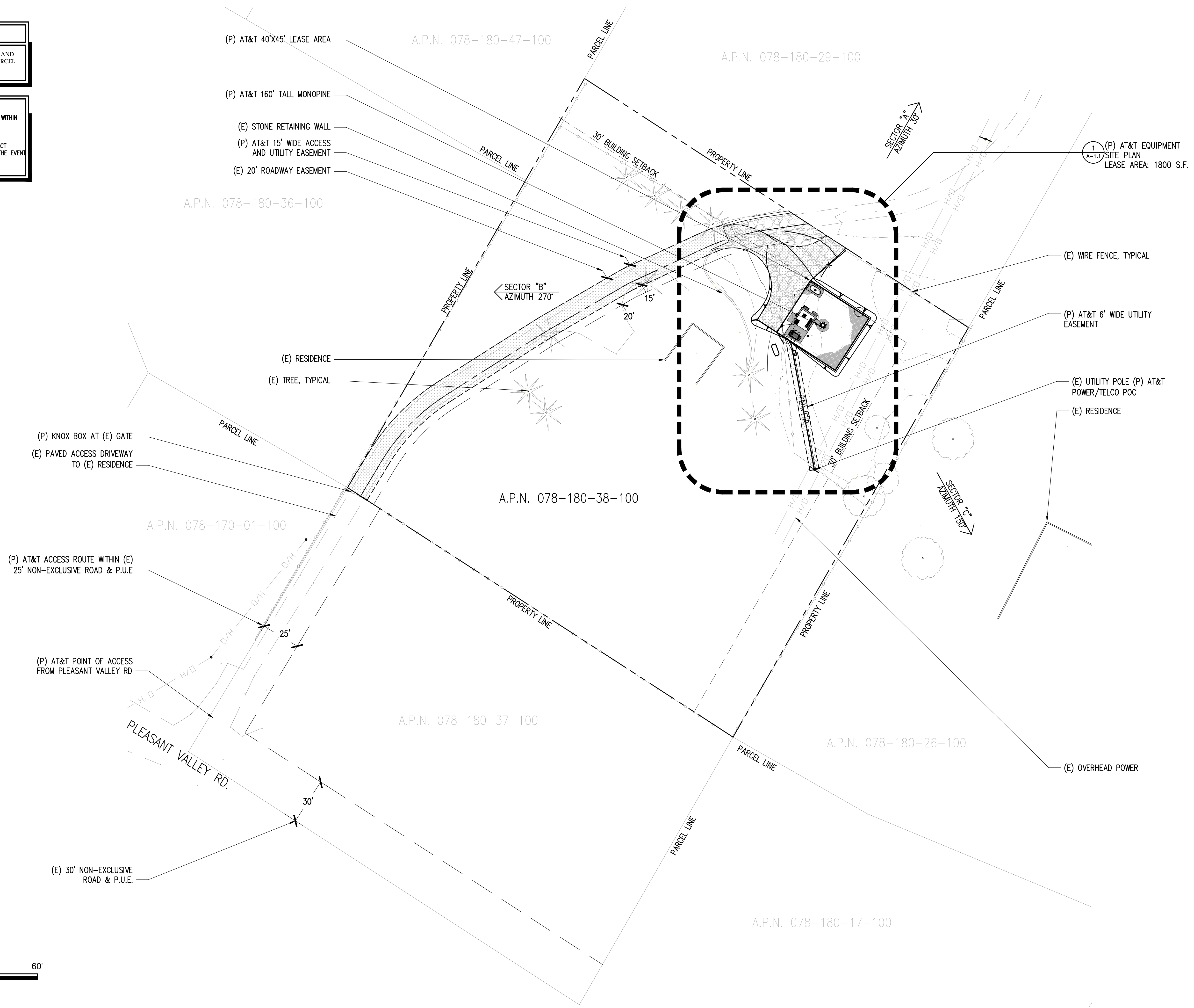
SHEET NUMBER:
C-2.1

THIS IS NOT A SITE SURVEY

ALL PROPERTY BOUNDARIES, ORIENTATION OF TRUE NORTH AND STREET HALF-WIDTHS HAVE BEEN OBTAINED FROM A TAX PARCEL MAP AND EXISTING DRAWINGS AND ARE APPROXIMATE.

NOTES:

- 1. NO GRADING OR PERMANENT CONSTRUCTION SHALL OCCUR WITHIN DRIP LINES OF TREES THAT ARE TO REMAIN WITHOUT ARBORIST APPROVAL.
- 2. PRIOR TO CONSTRUCTION, GENERAL CONTRACTOR TO CONTACT DIGALERT TO MARK OUT EXISTING UNDERGROUND UTILITIES. IN THE EVENT OF CONFLICTS, CONTRACTOR TO CONTACT PDC.



Issued For:

PLEASANT VALLEY

4559 STRAUSS DRIVE
PLACERVILLE, CA 95667

PREPARED FOR



2600 Camino Ramon, 4W850 N
San Ramon, California 94583



AT&T SITE NO: CVL03180

PROJECT NO: 13787610

DRAWN BY: CES

CHECKED BY: CES

0	07/05/17	ZD 90%
1	08/03/17	ZD 100% SHELTER CHANGE

REV	DATE	DESCRIPTION

Licensors:



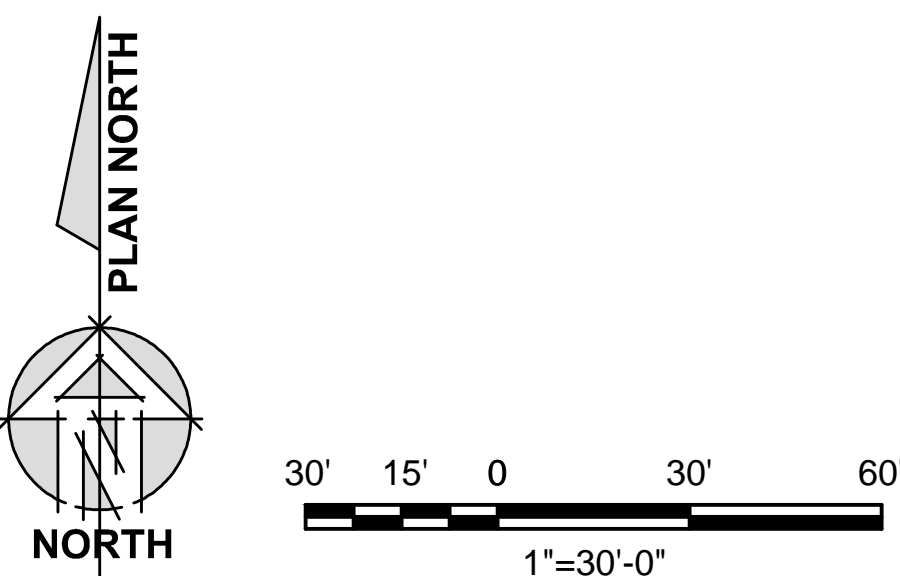
IT IS A VIOLATION OF LAW FOR ANY PERSON, UNLESS THEY ARE ACTING UNDER THE DIRECTION OF A LICENSED PROFESSIONAL ENGINEER, TO ALTER THIS DOCUMENT.

Engineer:

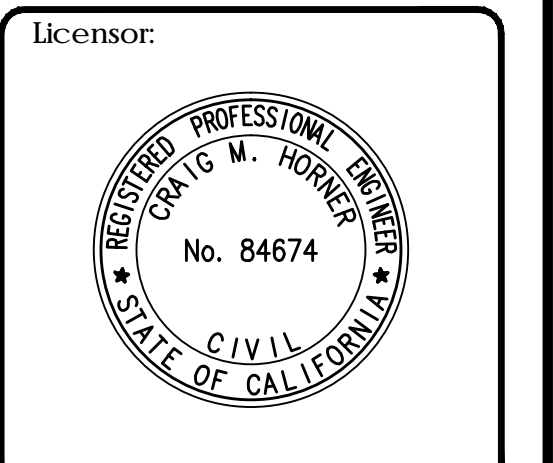
ADAPTIVE RE-USE ENGINEERING
Craig Horner, PE 84674
214-407-3184
3112 LEATHA WAY
SACRAMENTO, CA 95821
craigmhorner@yahoo.com

SHEET TITLE:
OVERALL SITE PLAN

SHEET NUMBER:
A-1



REV	DATE	DESCRIPTION
0	07/05/17	ZD 90%
1	08/03/17	ZD 100% SHELTER CHANGE



IT IS A VIOLATION OF LAW FOR ANY PERSON, UNLESS THEY ARE ACTING UNDER THE DIRECTION OF A LICENSED PROFESSIONAL ENGINEER, TO ALTER THIS DOCUMENT.

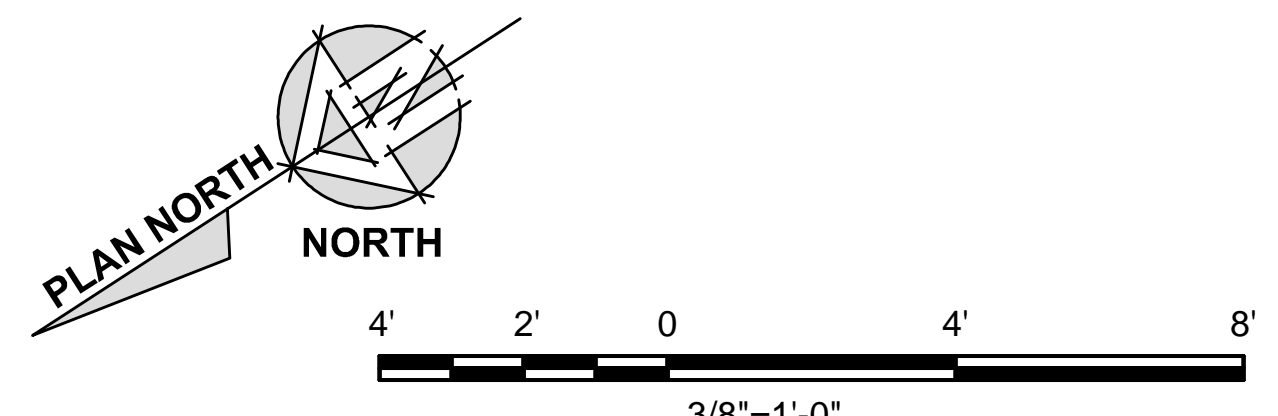
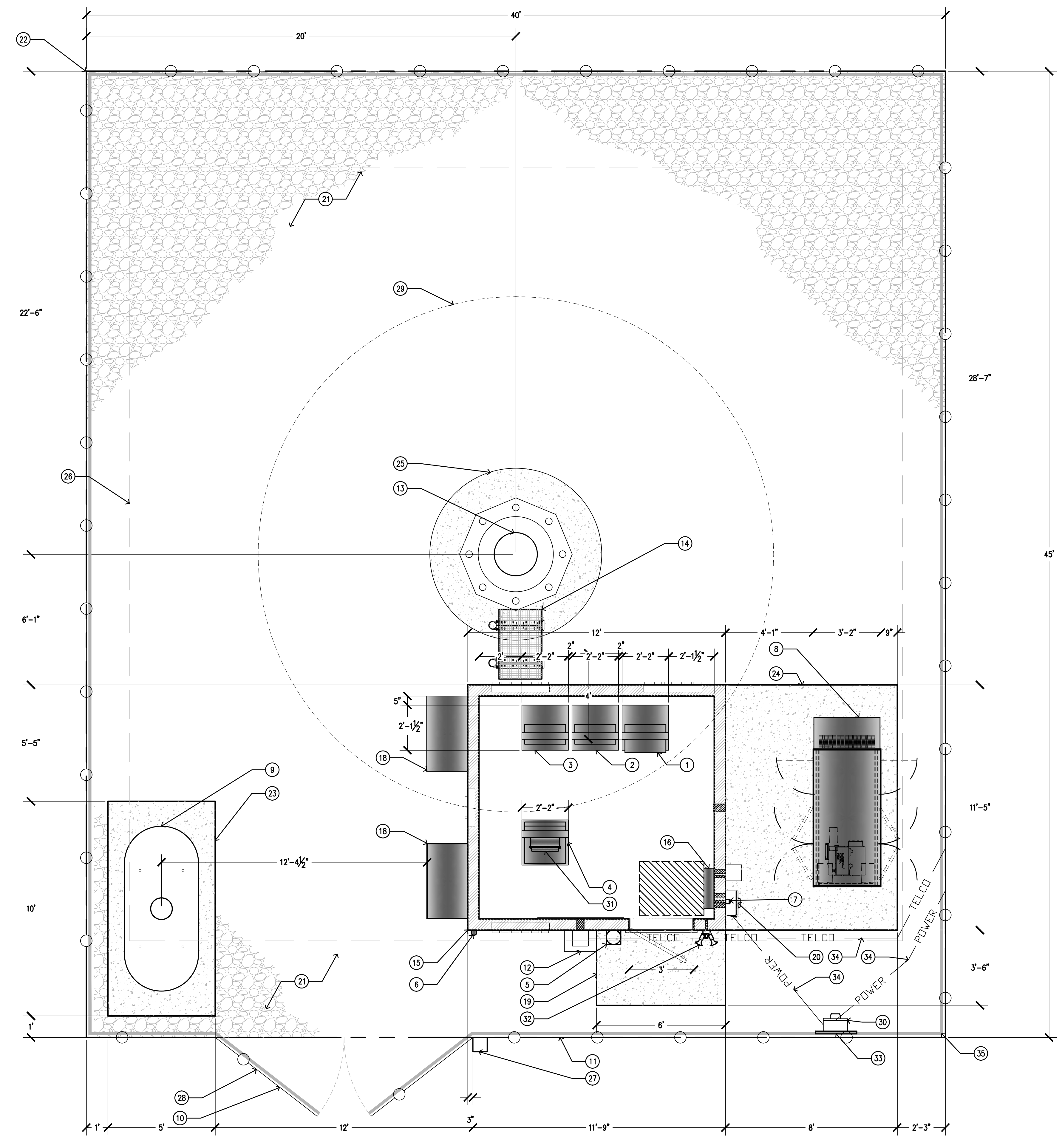
Engineer:
ADAPTIVE RE-USE ENGINEERING
 Craig Horner, PE 84674
 214-407-3184
 3112 LEATHA WAY
 SACRAMENTO, CA 95821
 craighorner@yahoo.com

SHEET TITLE:
EQUIPMENT AREA PLAN

SHEET NUMBER:
A-2

KEYNOTES

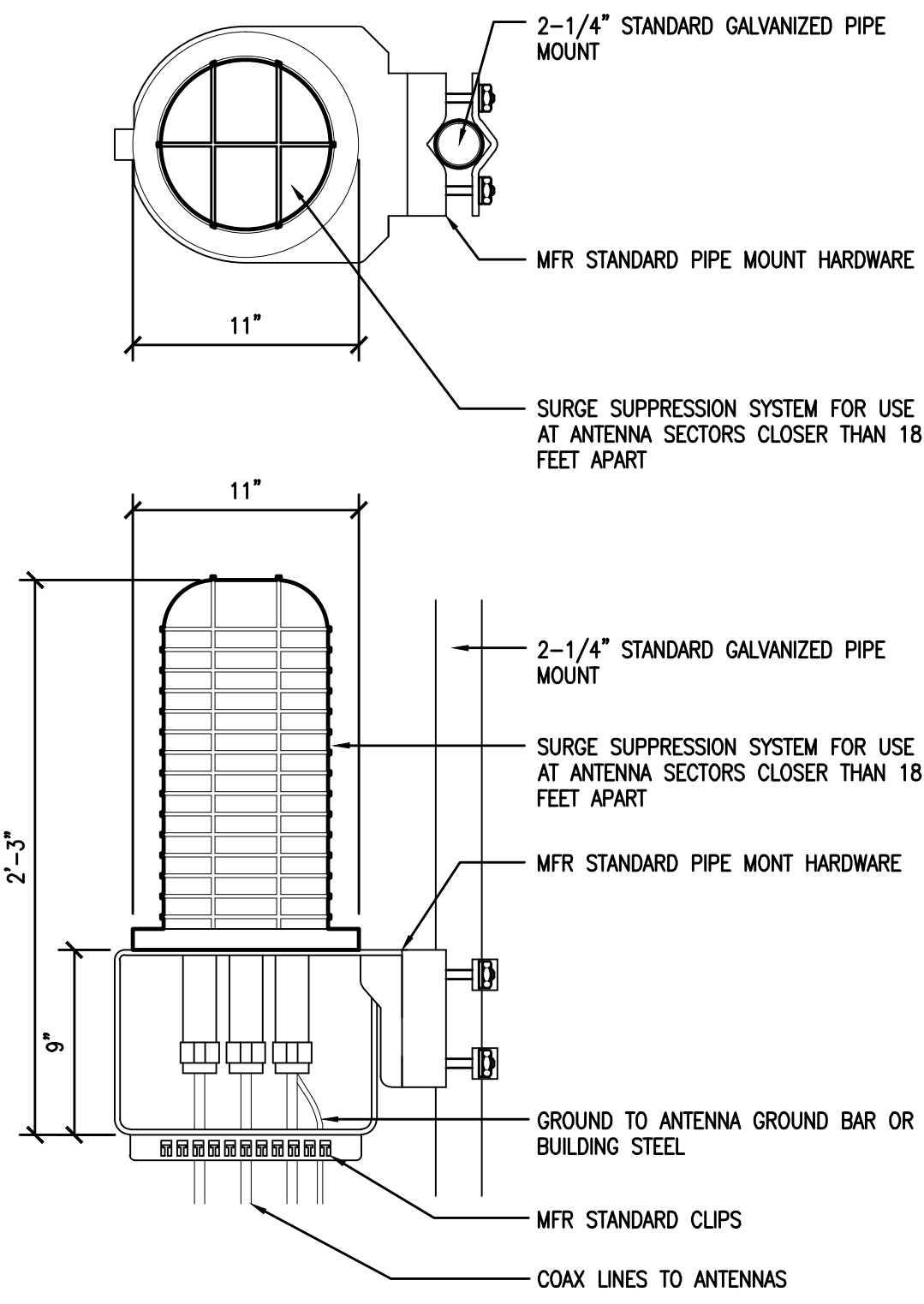
- 1 (P) RF RACK #1
- 2 (P) RF RACK #2
- 3 (P) POWER PLANT RACK W/ (2) STRINGS OF BATTERIES
- 4 (P) TELCO RACK
- 5 (P) 2A20BC RATED FIRE EXTINGUISHER IN WEATHER RESISTANT CABINET
- 6 (P) GPS UNIT
- 7 (P) CAMLOCK GENERATOR INTERFACE
- 8 (P) 35KW LP PROPANE STANDBY GENERATOR
- 9 (P) 500 GAL LP PROPANE STORAGE TANK TO BE LEASED FROM SUBURBAN PROPANE
- 10 (P) 12'-0" WIDE ACCESS GATE
- 11 (P) 6'-0" CHAIN LINK FENCE W/ 3 STRAND ANTI CLIMB BARRIER AND GREEN VINYL SLATS
- 12 (P) 18"x18"x12" TELCO PULL CAN BY AT&T MOBILITY
- 13 (P) 153'-0" MONOPOLE W/ 7' BRANCH CROWN TO 160' OVER ALL HEIGHT
- 14 (P) ICE BRIDGE
- 15 (P) AT&T 11'-6" x 12'-0" PRE-MANUFACTURED EQUIPMENT SHELTER
- 16 (P) 200A 42 CIRCUIT LOAD CENTER / AUTOMATIC & MANUAL TRANSFER SWITCH
- 17 (P) TELCO BOARD BY AT&T MOBILITY
- 18 (P) 4 TON HVAC UNIT
- 19 (P) 6'-0" x 3'-6" CONCRETE STOOP
- 20 (P) 200A MAIN DISCONNECT
- 21 (P) GRAVEL BED
- 22 (P) AT&T 40'x45' LEASE AREA
- 23 (P) 5'x10' SLAB
- 24 (P) GEN PATIO
- 25 (P) TOWER CAISSON (DESIGN BY OTHERS)
- 26 (P) 1/2" TOWER MATT SLAB (DESIGN BY OTHERS)
- 27 (P) FIRE DEPARTMENT KNOX BOX
- 28 (P) CARRIER CONTACT SIGNAGE AT GATE
- 29 (P) 24" MAX BRANCH DIAMETER AT BASE OF (P) MONOPOLE
- 30 (P) 200A ELECTRICAL METER/WITH MAIN DISCONNECT ON (P) H-FRAME
- 31 (P) CIENNA CABINET BY AT&T
- 32 (P) SHIELDED DOWN TILT LIGHT WITH MOTION SENSOR AND AUTO SHUTOFF TIMER PROVIDED WITH EQUIPMENT CABINET
- 33 (P) UTILITY H-FRAME
- 34 (P) UNDERGROUND UTILITY CONDUITS
- 35 (P) BBC-13X 1.2LB PSF MIN. OR EQUIV., SOUND BLANKET AT INTERIOR SIDE OF FENCE



1 EQUIPMENT ENCLOSURE PLAN - EXTERIOR SHELTER
 3/8"=1'-0"

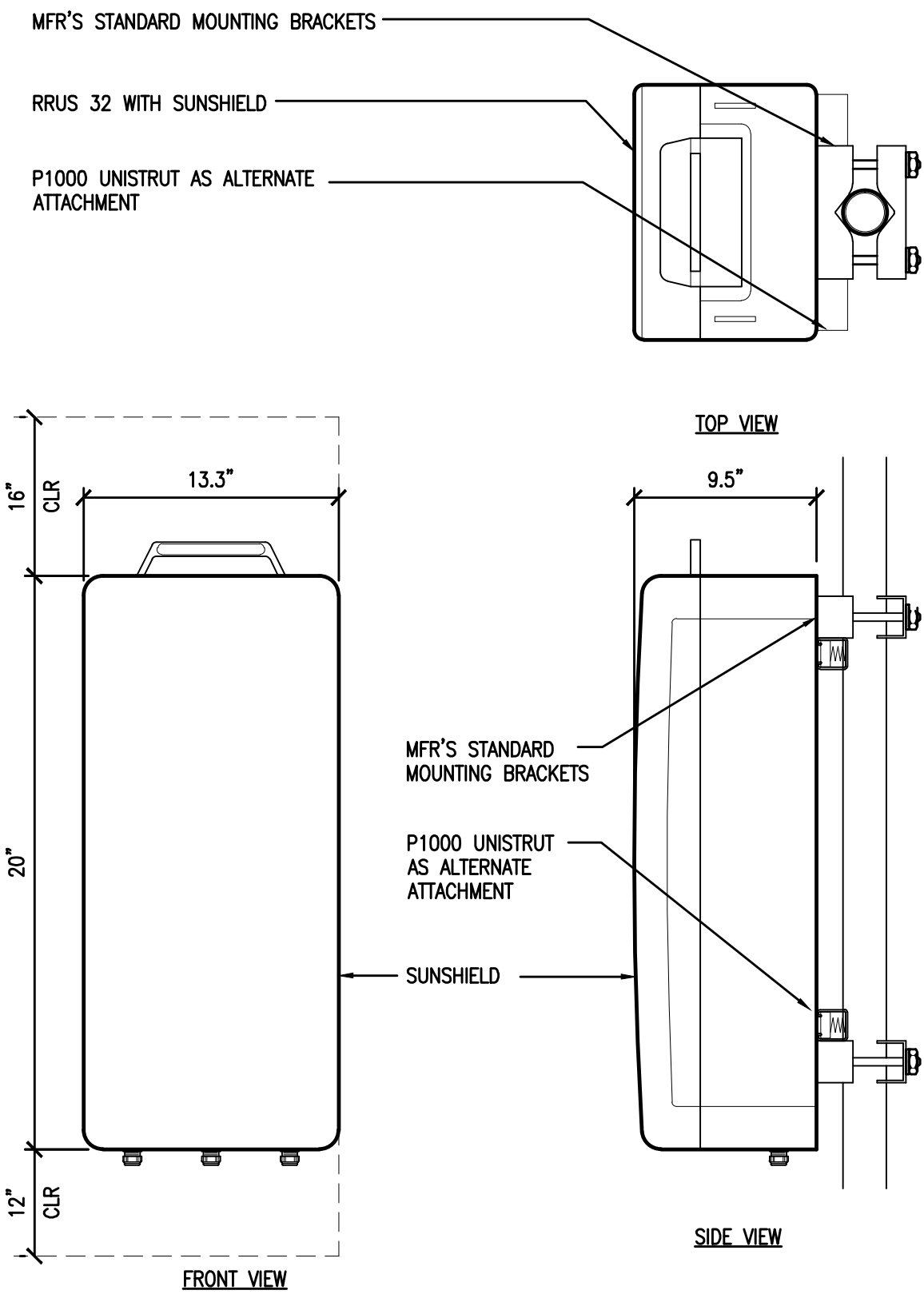
SITE TYPE: MONOPINE/SHELTER

RAYCAP DC6-48-60-18-8C &
DC6-48-60-0-8C SURGE SUPPRESSION
SOLUTION
COLOR: BLACK/SILVER
DIMENSIONS: 11" DIA X 27" TALL W/ 9" BASE
WEIGHT: +/- 50 LBS. (INCLUDING MOUNTING HARDWARE)

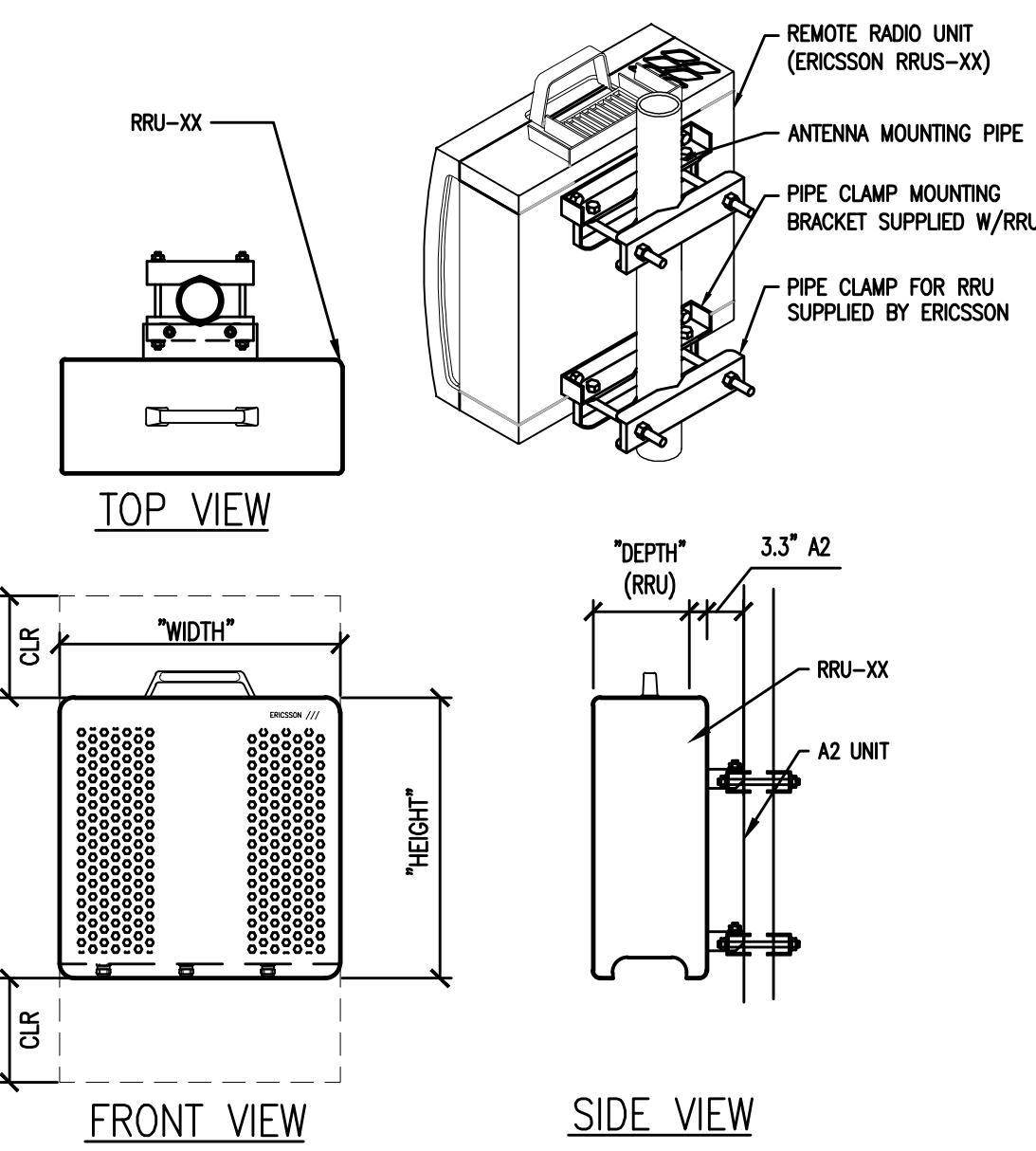


1 DC SURGE SUPPRESSION (SQUID)
1 1/2"=1'-0"

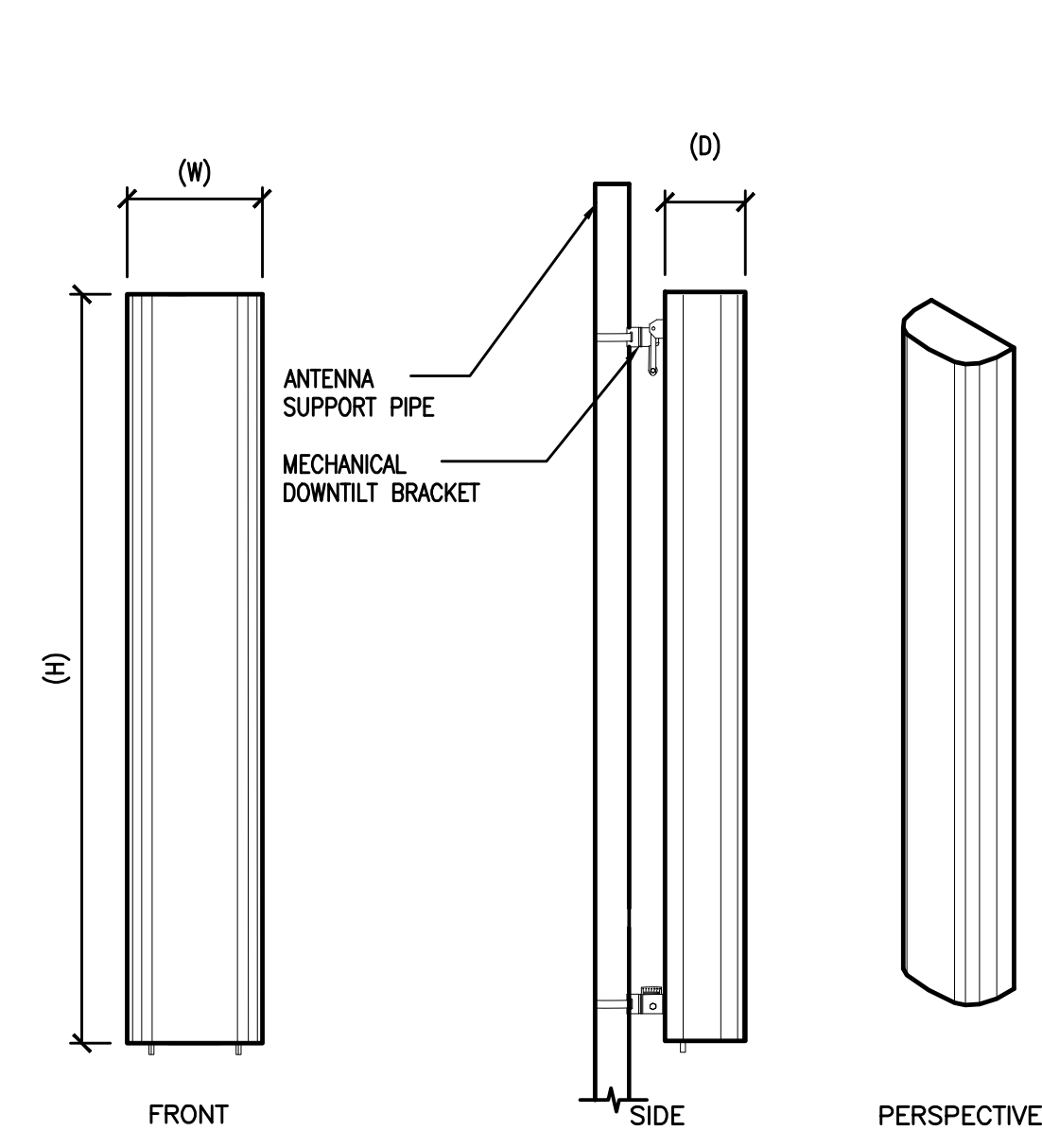
ERICSSON WCS RRU-32
MODEL: KRC161 423/1
COLOR: WHITE
DIMENSIONS: 29.9" TALL X 13.3" WIDE X 9.5" DEEP (INCLUDING SUNSHIELD)
WEIGHT: +/- 77LBS. (INCLUDING MOUNTING HARDWARE)



2 ERICSSON WCS RRUS-32 REMOTE RADIO UNIT
1 1/2"=1'-0"



TYPE	HEIGHT	WIDTH	DEPTH	WEIGHT
RRUS-11	17.8"	17.3"	7.19"	50 LBS
RRUS-12	20.4"	18.5"	7.5"	57.5 LBS



ANTENNA	=	QUINTEL QS6656-3
WIND AREA	=	6 SQ.FT.
WEIGHT	=	65 LBS
DIMENSIONS	=	72" (H) x 12" (W) x 9.6" (D)
ANTENNA	=	QUINTEL QS6658-3
WIND AREA	=	6 SQ.FT.
WEIGHT	=	77 LBS
DIMENSIONS	=	72" (H) x 12" (W) x 9.6" (D)
ANTENNA	=	CCI HBSA-M65R-KU-H6
WIND AREA	=	6.5 SQ.FT.
WEIGHT	=	44.5 LBS
DIMENSIONS	=	68.1" (H) x 13.7" (W) x 8.5" (D)
ANTENNA	=	CCI HBSA-M65R-KU-H6
WIND AREA	=	6.5 SQ.FT.
WEIGHT	=	45.6 LBS
DIMENSIONS	=	68.1" (H) x 13.7" (W) x 8.5" (D)

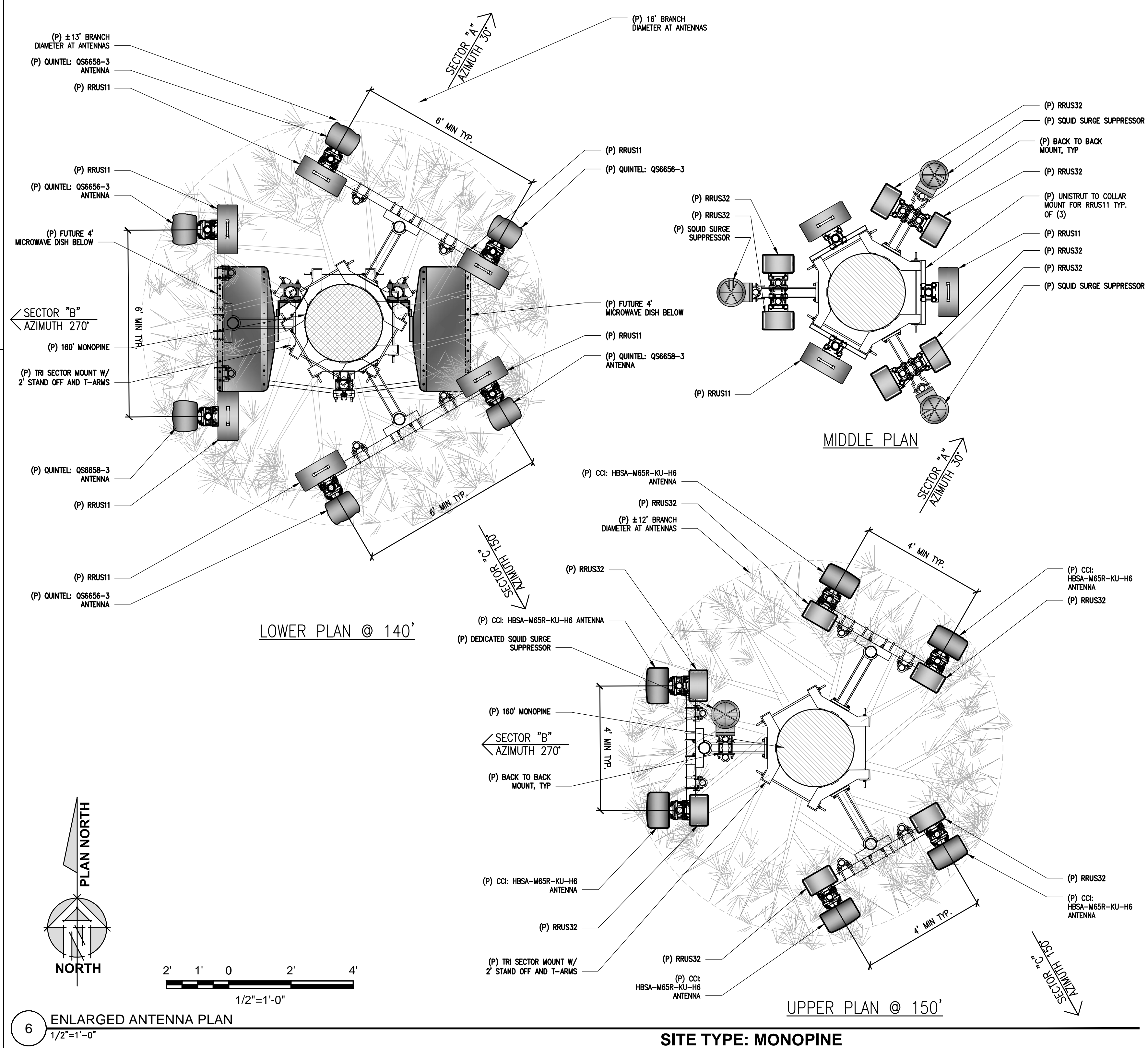
3 ERICSSON RRUS- REMOTE RADIO UNIT
1 1/2"=1'-0"

4 HEX ANTENNA SPEC
3/4"=1'-0"

RF SCHEDULE									
SECTOR	ANTENNA MODEL NO.	AZIMUTH	RAD CENTER	RRU	TMA	FIBER LENGTH	COAX LENGTH	FIBER NO.	
A L F A	A1	QS6656-3	30° ± 140'-0"	(1) RRUI1 (1) RRU32	N/A	± 170'	± N/A	TRUNK 1	
	A2	QS6658-3	30° ± 140'-0"	(2) RRUI1 (1) RRU32	N/A	± 170'	± N/A	TRUNK 1	
	A3	HBSA-M65R-KU-H6	30° ± 150'-0"	(1) RRU32	N/A	± 180'	± N/A	TRUNK 4	
	A4	HBSA-M65R-KU-H6	30° ± 150'-0"	(1) RRU32	N/A	± 180'	± N/A	TRUNK 4	
B E T A	B1	QS6656-3	270° ± 140'-0"	(1) RRUI1 (1) RRU32	N/A	± 170'	± N/A	TRUNK 2	
	B2	QS6658-3	270° ± 140'-0"	(2) RRUI1 (1) RRU32	N/A	± 170'	± N/A	TRUNK 2	
	B3	HBSA-M65R-KU-H6	270° ± 150'-0"	(1) RRU32	N/A	± 180'	± N/A	TRUNK 4	
	B4	HBSA-M65R-KU-H6	270° ± 150'-0"	(1) RRU32	N/A	± 180'	± N/A	TRUNK 4	
G A M M A	C1	QS6656-3	150° ± 140'-0"	(1) RRUI1 (1) RRU32	N/A	± 170'	± N/A	TRUNK 3	
	C2	QS6658-3	150° ± 140'-0"	(2) RRUI1 (1) RRU32	N/A	± 170'	± N/A	TRUNK 3	
	C3	HBSA-M65R-KU-H6	150° ± 150'-0"	(1) RRU32	N/A	± 180'	± N/A	TRUNK 4	
	C4	HBSA-M65R-KU-H6	150° ± 150'-0"	(1) RRU32	N/A	± 180'	± N/A	TRUNK 4	

5 RF SCHEDULE
NOT TO SCALE

RF DATA SHEET v1.00.01 DATED 05/16/17



6 ENLARGED ANTENNA PLAN
1/2"=1'-0"

SITE TYPE: MONOPINE

Issued For:
PLEASANT VALLEY
4559 STRAUSS DRIVE
PLACERVILLE, CA 95667

PREPARED FOR
at&t
2600 Camino Ramon, 4W850 N
San Ramon, California 94583

EPIC
WIRELESS GROUP

AT&T SITE NO: CVL03180
PROJECT NO: 13787610
DRAWN BY: CES
CHECKED BY: CES

REV	DATE	DESCRIPTION
0	07/05/17	ZD 90%
1	08/03/17	ZD 100% SHELTER CHANGE

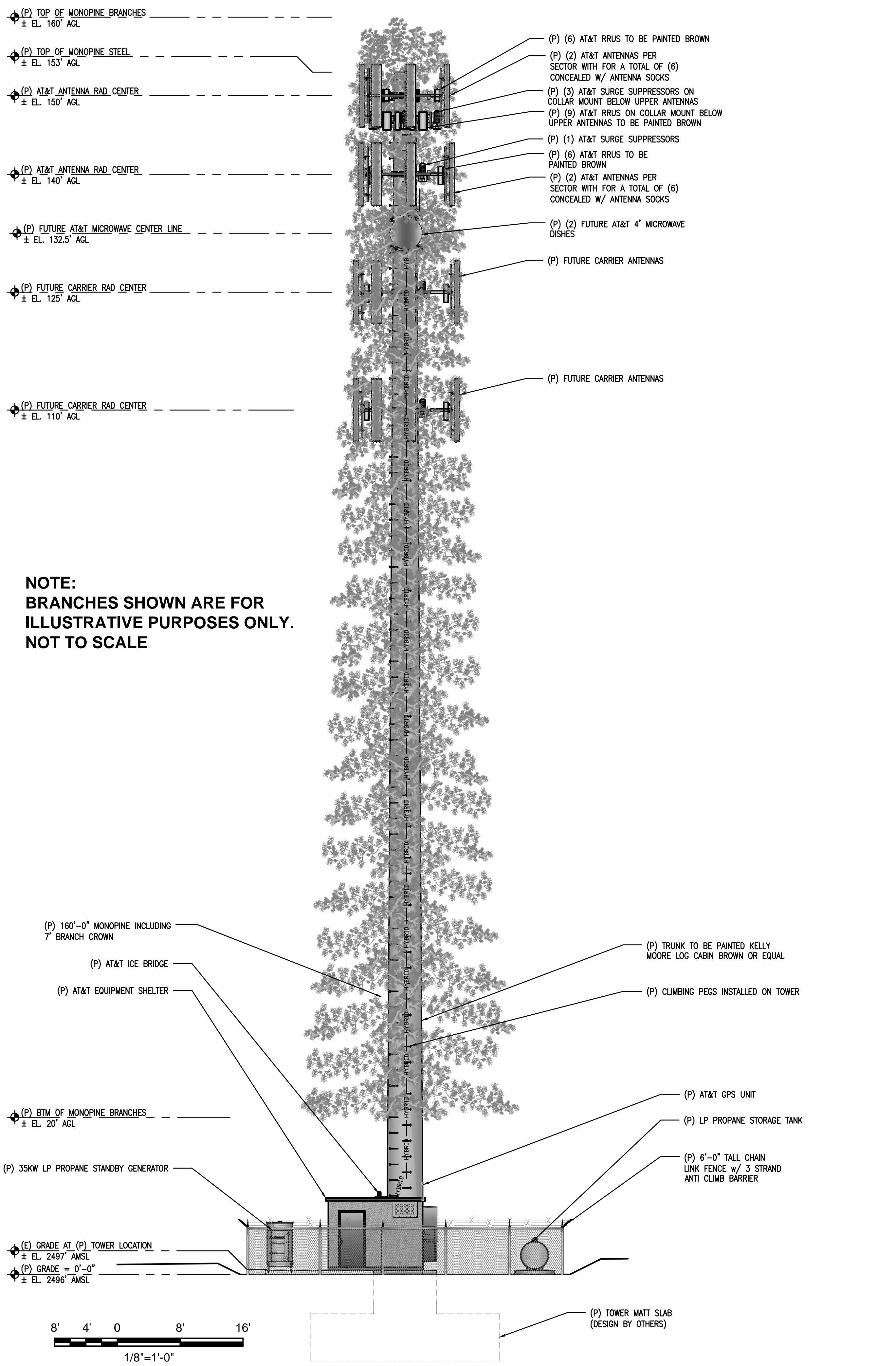
Licensor:
CRAIG M. HORNER
No. 84674
REGISTERED PROFESSIONAL ENGINEER
STATE OF CALIFORNIA
CIVIL

IT IS A VIOLATION OF LAW FOR ANY PERSON, UNLESS THEY ARE ACTING UNDER THE DIRECTION OF A LICENSED PROFESSIONAL ENGINEER, TO ALTER THIS DOCUMENT.

Engineer:
ADAPTIVE RE-USE ENGINEERING
Craig Horner, PE 84674
214-407-3184
3112 LEATHA WAY
SACRAMENTO, CA 95821
craigmhorner@yahoo.com

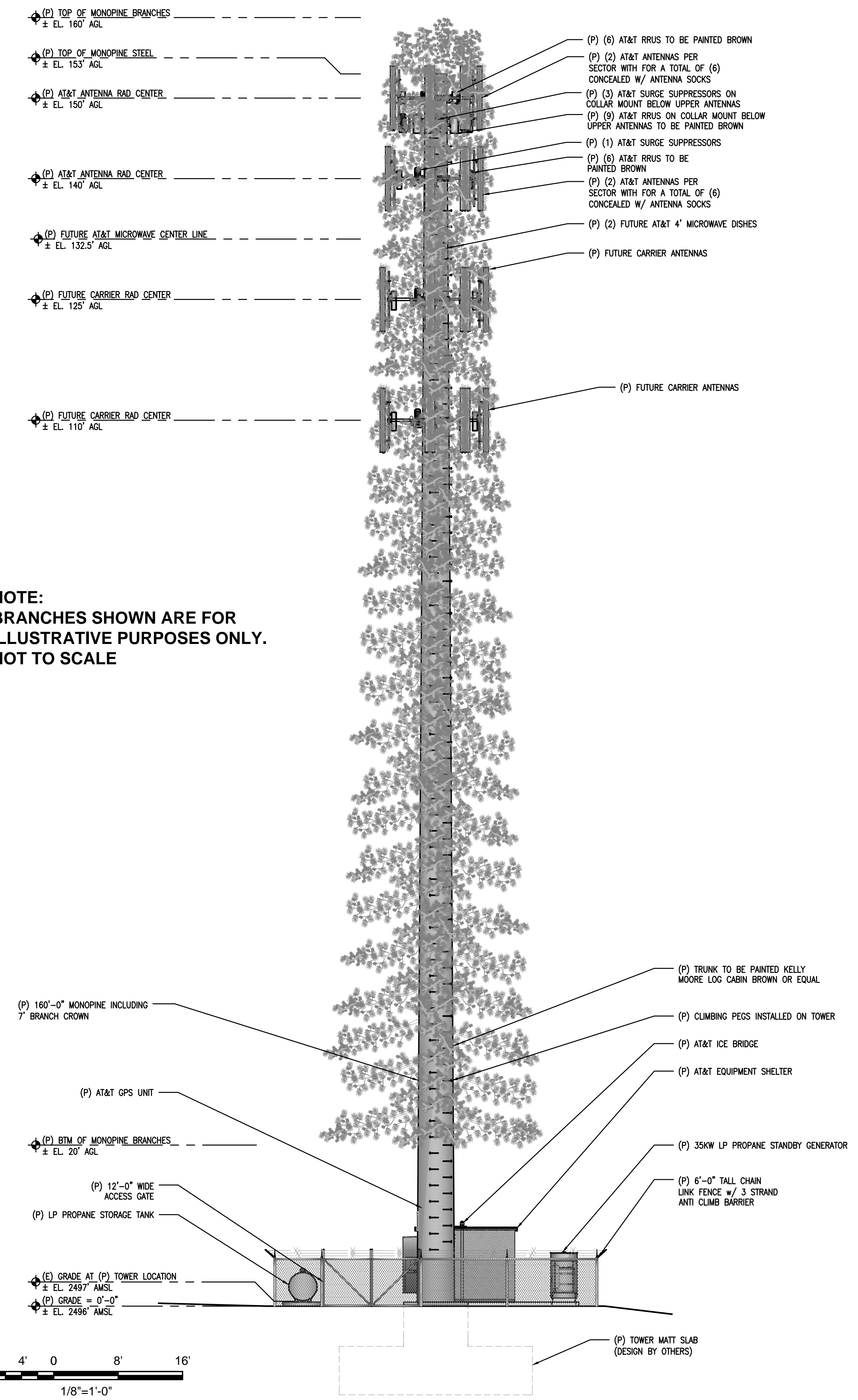
SHEET TITLE:
ANTENNA PLAN & DETAILS

SHEET NUMBER:
A-3



NOTE:
BRANCHES SHOWN ARE FOR
ILLUSTRATIVE PURPOSES ONLY.
NOT TO SCALE

1 PROPOSED EAST ELEVATION
1/8"=1'-0"



NOTE:
BRANCHES SHOWN ARE FOR
ILLUSTRATIVE PURPOSES ONLY.
NOT TO SCALE

2 PROPOSED WEST ELEVATION
1/8"=1'-0"

SITE TYPE: MONOPINE/SHELTER

Issued For:
PLEASANT VALLEY
4559 STRAUSS DRIVE
PLACERVILLE, CA 95667

PREPARED FOR
at&t
2600 Camino Ramon, 4W850 N
San Ramon, California 94583

EPIC
WIRELESS GROUP

AT&T SITE NO: CVL03180
PROJECT NO: 13787610
DRAWN BY: CES
CHECKED BY: CES

REV	DATE	DESCRIPTION
0	07/05/17	ZD 90%
1	08/03/17	ZD 100% SHELTER CHANGE

Licensors:
CRAIG M. HORNER
REGISTERED PROFESSIONAL ENGINEER
No. 84674
CIVIL
STATE OF CALIFORNIA

IT IS A VIOLATION OF LAW FOR ANY PERSON, UNLESS THEY ARE ACTING UNDER THE DIRECTION OF A LICENSED PROFESSIONAL ENGINEER, TO ALTER THIS DOCUMENT.

Engineer:
ADAPTIVE RE-USE ENGINEERING
Craig Horner, PE 84674
214-407-3184
3112 LEATHA WAY
SACRAMENTO, CA 95821
craigmhorner@yahoo.com

SHEET TITLE:
PROPOSED MONOPINE WEST - EAST ELEVATION

SHEET NUMBER:
A-4.2